

## ISL45042EVAL1Z

User's Manual

AN1188  
Rev 2.00  
Oct 4, 2006

### Description

The ISL45042EVAL1Z is a RoHS compliant evaluation board for the ISL45042, LCD Module Calibrator. For detailed information on the ISL45042, reference the ISL45042 data sheet (FN6072). Additionally, for detailed information on the dual low noise Amplifier, please refer to the EL5220 data sheet (FN7186).

The ISL45042EVAL1Z is designed to operate from an AVDD supply (5V to 20V), and VDD supply (2.6V to 3.6V).

### Jumpers

The evaluation board is configured with several jumpers. The jumpers enable the user to easily perform several different tests. The board is configured from the factory with the data sheet external components and the output amplifier connected. Reference Figure 3 for jumper location relative to the circuit schematic.

J1 is the test header output. J1 provides easy access to: ISL45042 output, EL5220 output, +10V supply, GND, +3V supply, CTL pin and the SET pin.

J2 and J3 provide power and input signal to the EL5220 respectively. Removing both jumpers will enable the user to evaluate the output of the ISL45042 by itself.

J4 enables and disables operation of the ISL45042. To enable operation, set J4 into position 1-2. This will pull the CE pin high. To disable operation, set J4 into position 2-3. This will pull the CE pin low.

J5, J6 and J7 allow the user to choose different resistor values than the ones already set on the board (for the biasing resistors and  $R_{SET}$ ).

J8 and J9 enable independent measurement of the ISL45042 VDD (+3V) and AVDD (+10V) supply currents.

### Operation

The ISL45042 provides an output sink current which is converted to a voltage via the external voltage divider. The equations that control the output voltage are given in Equation 1 and Equation 2. Figure 2 defines  $R_1$ ,  $R_2$  and  $R_{SET}$  used in Equation 1 and Equation 2. Table 1 lists the output voltages for the following conditions:  $R_1 = 200k\Omega$ ,  $R_2 = 243k\Omega$ ,  $R_{SET} = 24.9k\Omega$  and AVDD = 10V.

$$I_{OUT} = \frac{\text{Setting}}{128} \times \frac{AVDD}{20(R_{SET})} \quad (\text{EQ. 1})$$

$$V_{OUT} = \left( \frac{R_2}{R_1 + R_2} \right) AVDD \left( 1 - \frac{\text{Setting}}{128} \times \frac{R_1}{20(R_{SET})} \right) \quad (\text{EQ. 2})$$

NOTE: Where "Setting" is an integer between 1 and 128.

### Switches

There are three switches on the board. Reference Figure 1 for the location of switches on the board, and Figure 3 for switch location relative to the circuit schematic.

S1 is the EEPROM Program switch that supplies AVDD level voltage to the ISL45042 CTL pin. Any level over 4.9V on CTL pin will program the current counter value to the EEPROM.

S2 is the decrement switch that will cause the output voltage ( $V_{OUT}$  EL5220 or  $V_{OUT}$  ISL45042) to increase its value.

S3 is the increment switch that will cause the output voltage ( $V_{OUT}$  EL5220 or  $V_{OUT}$  ISL45042) to decrease its value.

CE pin has to be active high, (jumper J4 in the position 1-2) in order for the increment/decrement switches to have the effect on the output voltage. Also, CE has to be high in order to program the EEPROM.

Taking the CE pin low (inactive) will reset the counter to the last EEPROM programmed value.

Note: the  $0\Omega$  resistor (Figure 3, R2) makes the EL5220 a buffer. If other functionality is desired, please replace R2 with the desired value.

### Using the ISL45042EVAL1Z Board

Please make sure that the power supplies are connected properly.

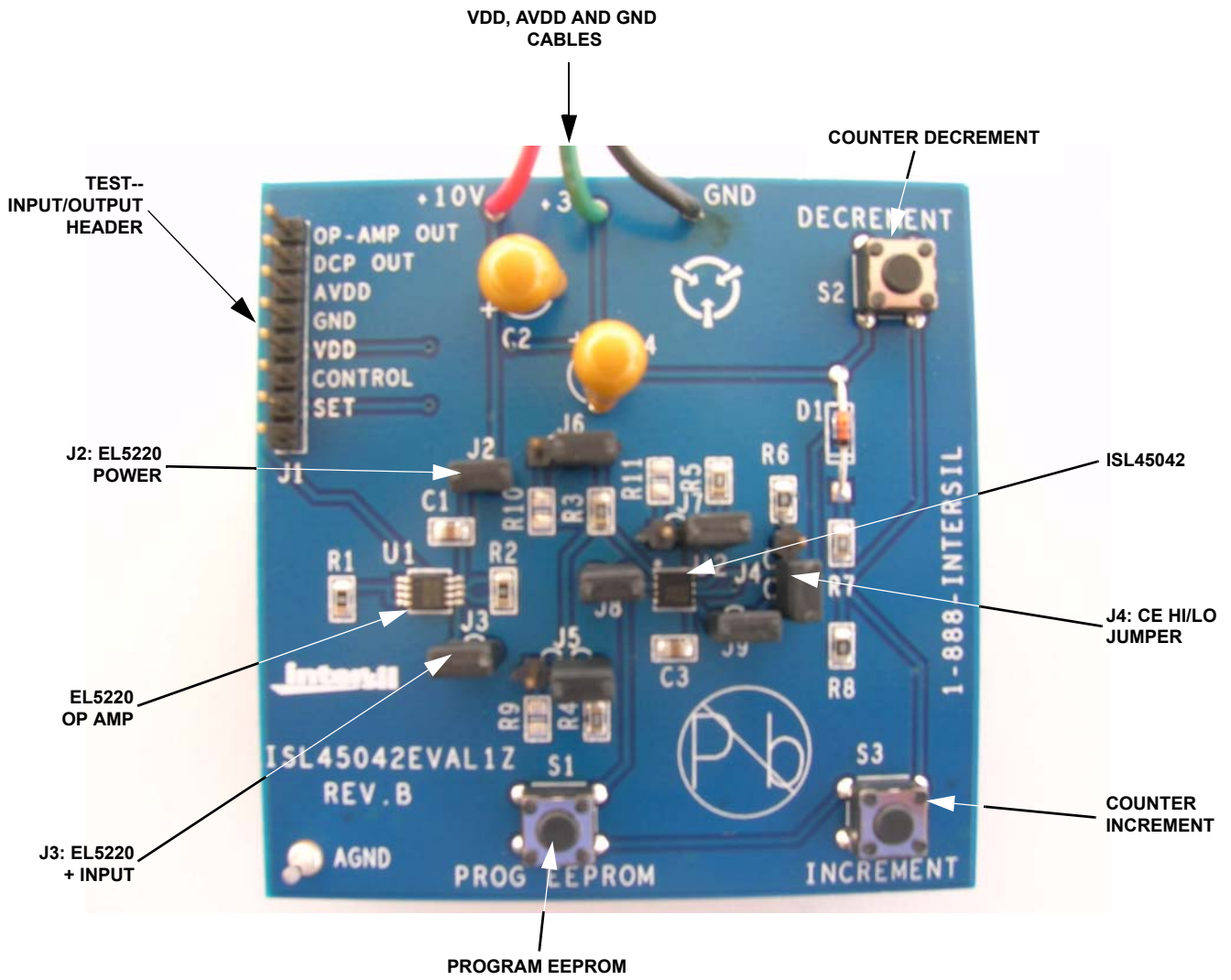
Set the J4 jumper to a position 1-2 to enable the CE, and allow the counter to move. Use S2 and S3 switches to move the counter values (decrement and increment the counter). As long as the CE is active, the counter value should remain at the position chosen. The output levels (current/voltage) can be measured at the J1 test header.

When the desired counter value is reached, use the S1, PROG EEPROM, switch to write the value to the Non-Volatile EEPROM.

If the value is not written to the EEPROM, and the CE is pulled low, the counter will reset to the last programmed value.

The output of the ISL45042 could be observed at the J1 test header, pin 2 (when EL5220 disabled with J2 and J3 taken out). Otherwise, the output could be fed to the EL5220 and then the output of the Amplifier (buffer) observed at the pin 1 of J1.

**ISL45042EVAL1Z Picture**

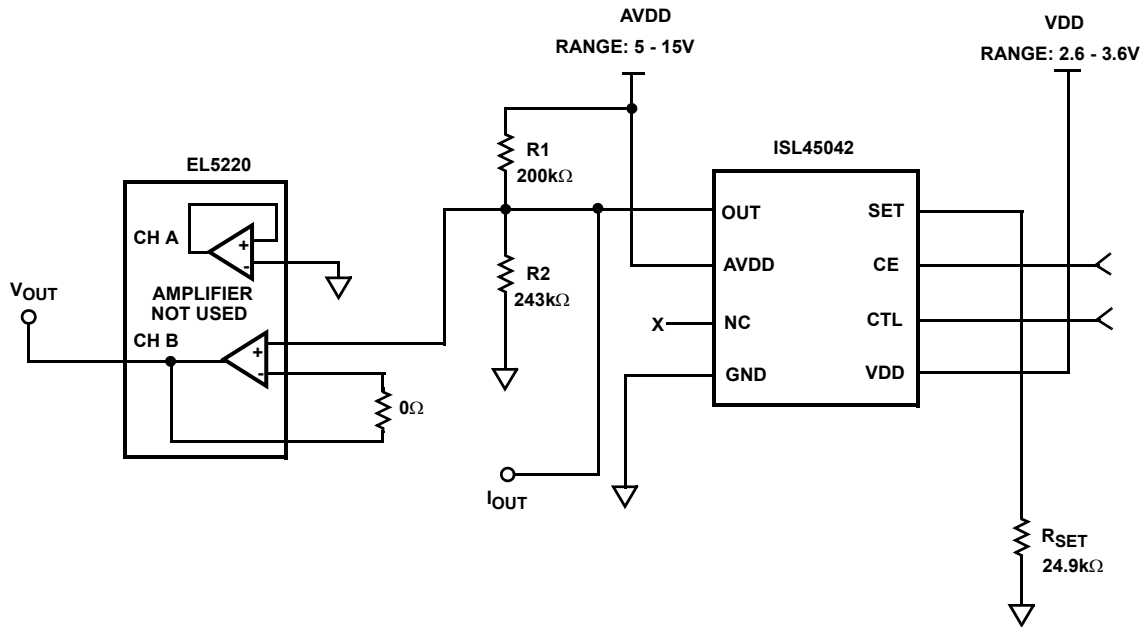


**NOTES:**

Jumpers J5, J6 and J7 allow user to choose different values of biasing and  $R_{SET}$  resistors.  
Jumpers J8 and J9 allow user to measure current draw of the ISL45042.

**FIGURE 1. ISL45042 EVAL BOARD**

**ISL45042EVAL1Z Block Diagram**



**FIGURE 2. SIMPLIFIED APPLICATION SCHEMATIC**

**TABLE 1.**

SETTING (INTEGER BETWEEN 1 AND 128)	V <sub>OUT</sub>
1	5.468
12	5.2788
23	5.0894
34	4.9001
45	4.7108
56	4.5215
67	4.3322
78	4.1429
89	3.9535
100	3.7642
111	3.5749
122	3.3856
128	3.2823

ISL45042EVAL1Z Schematics

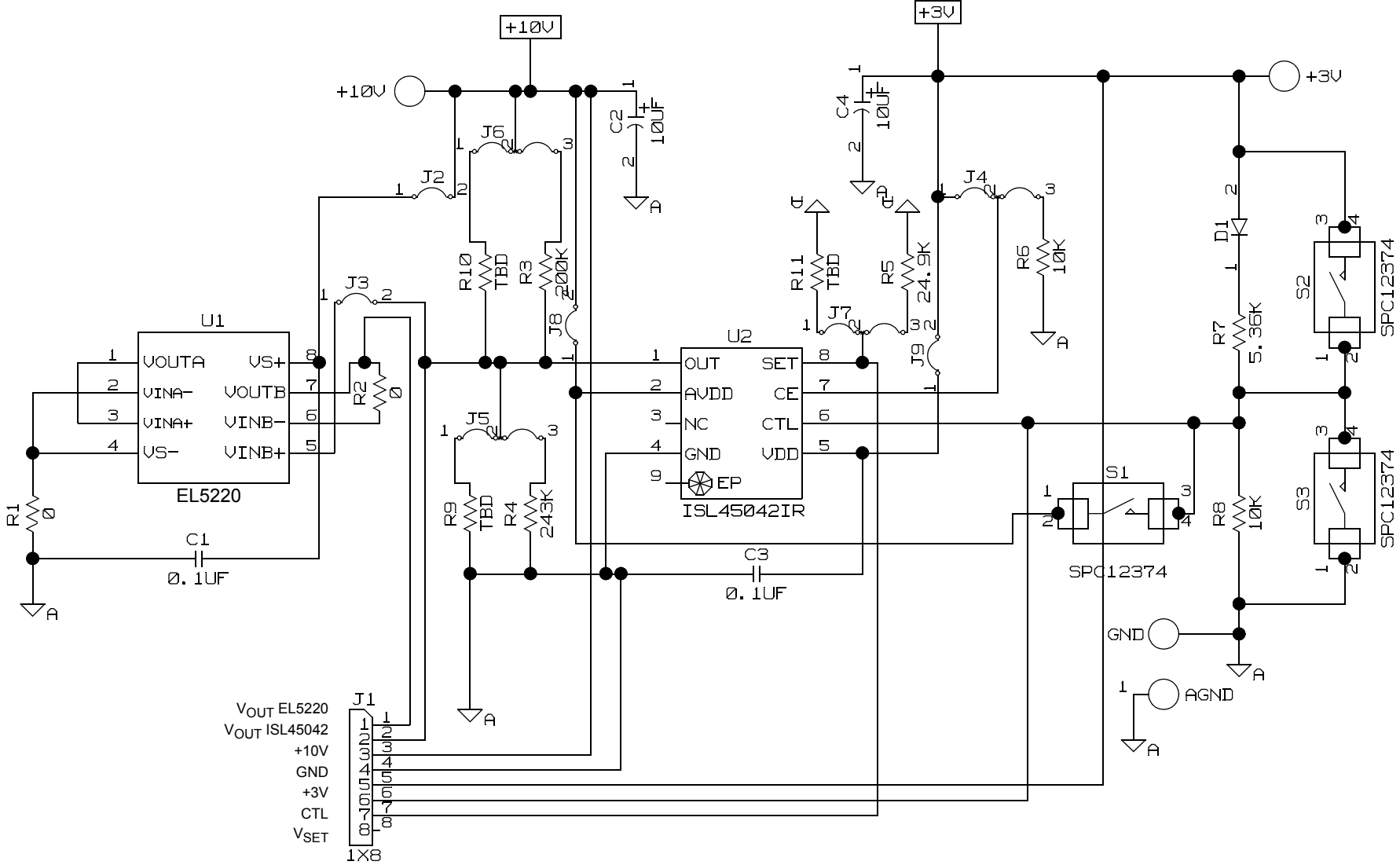


FIGURE 3. EVAL BOARD SCHEMATIC

**ISL45042EVAL1Z Bill of Materials**

TABLE 2. ISL45042EVAL1Z BOM

PART NUMBER	REF. DES.	QUAN.	VALUE	TOL.	POWER	PACKAGE	JEDEC	MANUF.	DESCRIPTION
160-2044-02-01-00	AGND	1				THOLE	TP80	Cambion	Test Post
1N914	D1	1				DO35	DO-35	Various	Generic Diode
22-28-4083	J1	1				SIP	CONN-1X8	Molex	Eight Pin Connector Block
EL5220	U1	1				EL5220CY	MSOP8	Elantec	Dual LN Amplifier
H1046-00104-50V10	C1, C3	2	0.1 $\mu$ F	10%		SMD-10%	SM0805	Generic	Multilayer Capacitor
H2512-00R00-1/10W	R1, R2	1	0	0%	1/10W	SMD-1%	SM0805	Generic	TFC Resistor
H2512-01002-1/10W1	R6, R8	3	10k	1%	1/10W	SMD-1%	SM0805	Generic	TFC Resistor
H2512-02003-1/10W1	R3	1	200k	1%	1/10W	SMD-1%	SM0805	Generic	TFC Resistor
H2512-02433-1/10W1	R4	1	243k	1%	1/10W	SMD-1%	SM0805	Generic	TFC Resistor
H2512-02492-1/10W1	R5	1	24.9k	1%	1/10W	SMD-1%	SM0805	Generic	TFC Resistor
H2512-05361-1/10W1	R7	1	5.36k	1%	1/10W	SMD-1%	SM0805	Generic	TFC Resistor
ISL45042IR	U2	1				TDFN	8DFN-3X3A	Intersil	VCOM
JUMPER-3-100	J4-J7	4				THOLE	JUMPER-3	Generic	Three Pin Jumper
JUMPER-2-100	J2, J3, J8, J9	4				THOLE	JUMPER-1	Generic	Two Pin Jumper
PAD_70C_43P	+10V, +3V, GND	3				THOLE	PAD-70C4	Generic	0.070 Pad with 0.043 Plated Thru Hole
SDTX-610-K	S1-S3	3				THOLE	SW_STDY-610-K	Bourns	Tactile Switch
T353K106K050AS	C2, C4	2	10 $\mu$ F	10%		RADIAL-10%	TANT-200	Kemet	Tantulum Capacitor
THREE TWISTED WIRE	+10V, +3V, GND	1	1'			RED, GREEN, BLACK			
MALE BANANA JACK	+10V, +3V, GND	3				RED, GREEN, BLACK			

## Notice

1. Descriptions of circuits, software and other related information in this document are provided only to illustrate the operation of semiconductor products and application examples. You are fully responsible for the incorporation or any other use of the circuits, software, and information in the design of your product or system. Renesas Electronics disclaims any and all liability for any losses and damages incurred by you or third parties arising from the use of these circuits, software, or information.
2. Renesas Electronics hereby expressly disclaims any warranties against and liability for infringement or any other claims involving patents, copyrights, or other intellectual property rights of third parties, by or arising from the use of Renesas Electronics products or technical information described in this document, including but not limited to, the product data, drawings, charts, programs, algorithms, and application examples.
3. No license, express, implied or otherwise, is granted hereby under any patents, copyrights or other intellectual property rights of Renesas Electronics or others.
4. You shall not alter, modify, copy, or reverse engineer any Renesas Electronics product, whether in whole or in part. Renesas Electronics disclaims any and all liability for any losses or damages incurred by you or third parties arising from such alteration, modification, copying or reverse engineering.
5. Renesas Electronics products are classified according to the following two quality grades: "Standard" and "High Quality". The intended applications for each Renesas Electronics product depends on the product's quality grade, as indicated below.  
"Standard": Computers; office equipment; communications equipment; test and measurement equipment; audio and visual equipment; home electronic appliances; machine tools; personal electronic equipment; industrial robots; etc.  
"High Quality": Transportation equipment (automobiles, trains, ships, etc.); traffic control (traffic lights); large-scale communication equipment; key financial terminal systems; safety control equipment; etc.  
Unless expressly designated as a high reliability product or a product for harsh environments in a Renesas Electronics data sheet or other Renesas Electronics document, Renesas Electronics products are not intended or authorized for use in products or systems that may pose a direct threat to human life or bodily injury (artificial life support devices or systems; surgical implantations; etc.), or may cause serious property damage (space system; undersea repeaters; nuclear power control systems; aircraft control systems; key plant systems; military equipment; etc.). Renesas Electronics disclaims any and all liability for any damages or losses incurred by you or any third parties arising from the use of any Renesas Electronics product that is inconsistent with any Renesas Electronics data sheet, user's manual or other Renesas Electronics document.
6. When using Renesas Electronics products, refer to the latest product information (data sheets, user's manuals, application notes, "General Notes for Handling and Using Semiconductor Devices" in the reliability handbook, etc.), and ensure that usage conditions are within the ranges specified by Renesas Electronics with respect to maximum ratings, operating power supply voltage range, heat dissipation characteristics, installation, etc. Renesas Electronics disclaims any and all liability for any malfunctions, failure or accident arising out of the use of Renesas Electronics products outside of such specified ranges.
7. Although Renesas Electronics endeavors to improve the quality and reliability of Renesas Electronics products, semiconductor products have specific characteristics, such as the occurrence of failure at a certain rate and malfunctions under certain use conditions. Unless designated as a high reliability product or a product for harsh environments in a Renesas Electronics data sheet or other Renesas Electronics document, Renesas Electronics products are not subject to radiation resistance design. You are responsible for implementing safety measures to guard against the possibility of bodily injury, injury or damage caused by fire, and/or danger to the public in the event of a failure or malfunction of Renesas Electronics products, such as safety design for hardware and software, including but not limited to redundancy, fire control and malfunction prevention, appropriate treatment for aging degradation or any other appropriate measures. Because the evaluation of microcomputer software alone is very difficult and impractical, you are responsible for evaluating the safety of the final products or systems manufactured by you.
8. Please contact a Renesas Electronics sales office for details as to environmental matters such as the environmental compatibility of each Renesas Electronics product. You are responsible for carefully and sufficiently investigating applicable laws and regulations that regulate the inclusion or use of controlled substances, including without limitation, the EU RoHS Directive, and using Renesas Electronics products in compliance with all these applicable laws and regulations. Renesas Electronics disclaims any and all liability for damages or losses occurring as a result of your noncompliance with applicable laws and regulations.
9. Renesas Electronics products and technologies shall not be used for or incorporated into any products or systems whose manufacture, use, or sale is prohibited under any applicable domestic or foreign laws or regulations. You shall comply with any applicable export control laws and regulations promulgated and administered by the governments of any countries asserting jurisdiction over the parties or transactions.
10. It is the responsibility of the buyer or distributor of Renesas Electronics products, or any other party who distributes, disposes of, or otherwise sells or transfers the product to a third party, to notify such third party in advance of the contents and conditions set forth in this document.
11. This document shall not be reprinted, reproduced or duplicated in any form, in whole or in part, without prior written consent of Renesas Electronics.
12. Please contact a Renesas Electronics sales office if you have any questions regarding the information contained in this document or Renesas Electronics products.  
(Note 1) "Renesas Electronics" as used in this document means Renesas Electronics Corporation and also includes its directly or indirectly controlled subsidiaries.  
(Note 2) "Renesas Electronics product(s)" means any product developed or manufactured by or for Renesas Electronics.

(Rev.4.0-1 November 2017)



### SALES OFFICES

Renesas Electronics Corporation

<http://www.renesas.com>

Refer to "<http://www.renesas.com/>" for the latest and detailed information.

**Renesas Electronics America Inc.**  
1001 Murphy Ranch Road, Milpitas, CA 95035, U.S.A.  
Tel: +1-408-432-8888, Fax: +1-408-434-5351

**Renesas Electronics Canada Limited**  
9251 Yonge Street, Suite 8309 Richmond Hill, Ontario Canada L4C 9T3  
Tel: +1-905-237-2004

**Renesas Electronics Europe Limited**  
Dukes Meadow, Millboard Road, Bourne End, Buckinghamshire, SL8 5FH, U.K  
Tel: +44-1628-651-700, Fax: +44-1628-651-804

**Renesas Electronics Europe GmbH**  
Arcadiastrasse 10, 40472 Düsseldorf, Germany  
Tel: +49-211-6503-0, Fax: +49-211-6503-1327

**Renesas Electronics (China) Co., Ltd.**  
Room 1709 Quantum Plaza, No.27 ZhichunLu, Haidian District, Beijing, 100191 P. R. China  
Tel: +86-10-8235-1155, Fax: +86-10-8235-7679

**Renesas Electronics (Shanghai) Co., Ltd.**  
Unit 301, Tower A, Central Towers, 555 Langao Road, Putuo District, Shanghai, 200333 P. R. China  
Tel: +86-21-2226-0888, Fax: +86-21-2226-0999

**Renesas Electronics Hong Kong Limited**  
Unit 1601-1611, 16/F., Tower 2, Grand Century Place, 193 Prince Edward Road West, Mongkok, Kowloon, Hong Kong  
Tel: +852-2265-6688, Fax: +852-2886-9022

**Renesas Electronics Taiwan Co., Ltd.**  
13F, No. 363, Fu Shing North Road, Taipei 10543, Taiwan  
Tel: +886-2-8175-9600, Fax: +886-2-8175-9670

**Renesas Electronics Singapore Pte. Ltd.**  
80 Bendemeer Road, Unit #06-02 Hyflux Innovation Centre, Singapore 339949  
Tel: +65-6213-0200, Fax: +65-6213-0300

**Renesas Electronics Malaysia Sdn.Bhd.**  
Unit 1207, Block B, Menara Amcorp, Amcorp Trade Centre, No. 18, Jln Persiaran Barat, 46050 Petaling Jaya, Selangor Darul Ehsan, Malaysia  
Tel: +60-3-7955-9390, Fax: +60-3-7955-9510

**Renesas Electronics India Pvt. Ltd.**  
No.777C, 100 Feet Road, HAL 2nd Stage, Indiranagar, Bangalore 560 038, India  
Tel: +91-80-67208700, Fax: +91-80-67208777

**Renesas Electronics Korea Co., Ltd.**  
17F, KAMCO Yangjae Tower, 262, Gangnam-daero, Gangnam-gu, Seoul, 06265 Korea  
Tel: +82-2-558-3737, Fax: +82-2-558-5338