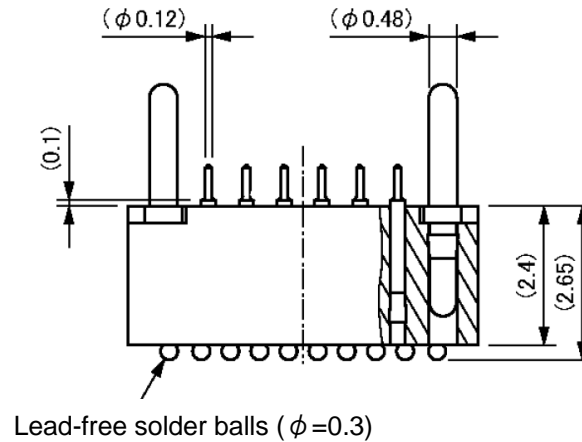
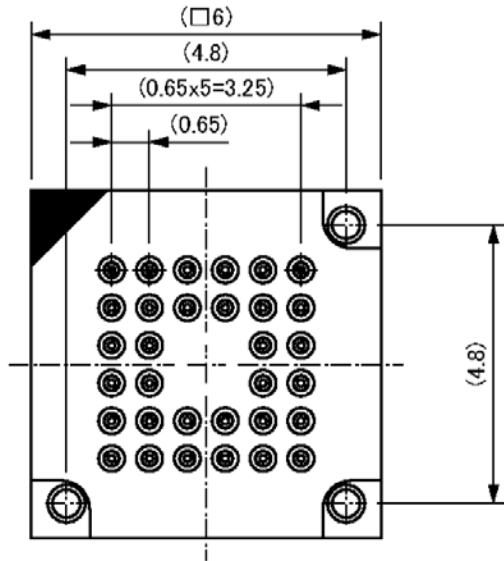


Drawings of QB-32K8-NQ-02T

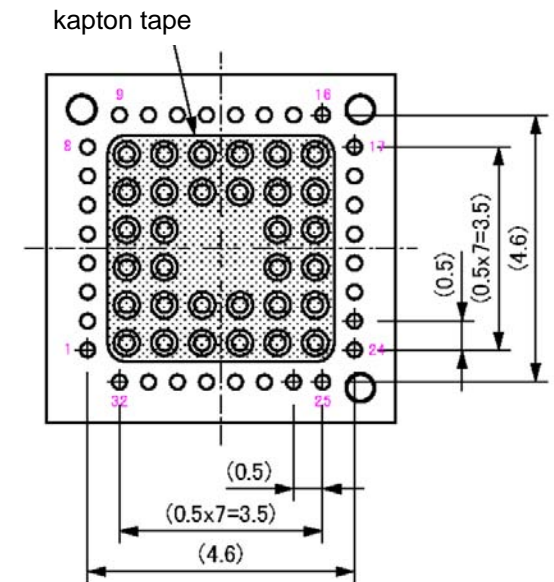
Prepared on Jul. 30, 2010

Unit: mm

< Top view >



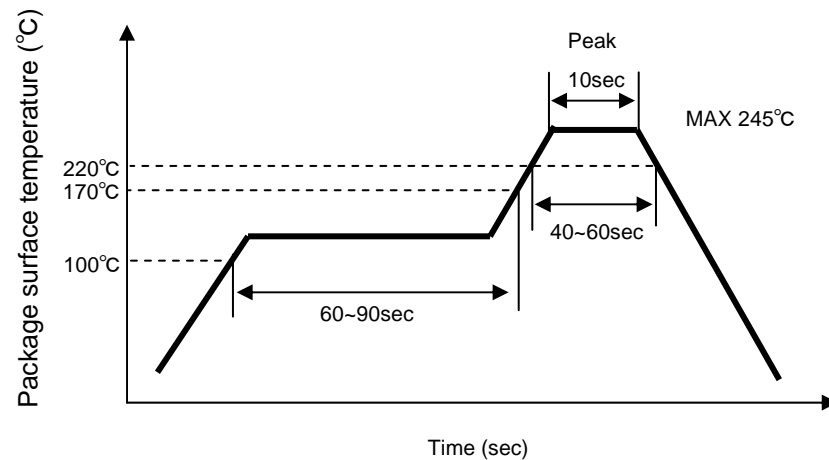
< Bottom view >



注意事項

- ・QB-32K8-NQ-02Tの大きさは、デバイスの大きさより縦横1mmずつ大きくなっています。
- ・カプトンテープの耐熱は400°Cになります。
- ・リフロー条件は以下の通りになります。

Preheating		Maine heating		Peak	
Temperature range	Time	Temperature range	Time	Temperature range	Time
100 to 170°C	60~90 seconds	220°C higher	40~60 seconds	245°C	10 seconds max



Caution

Prepared on Jul. 30, 2010

- length and width 1mm becomes bigger than the size of the device for the size of QB-32K8-NQ-02T.
- Heat-resistant of a kapton tape is 400 degrees.
- The reflow condition becomes as follows.

Preheating		Maine heating		Peak	
Temperature range	Time	Temperature range	Time	Temperature range	Time
100 to170°C	60~90 seconds	220°C higher	40~60 seconds	245°C	10 seconds max

