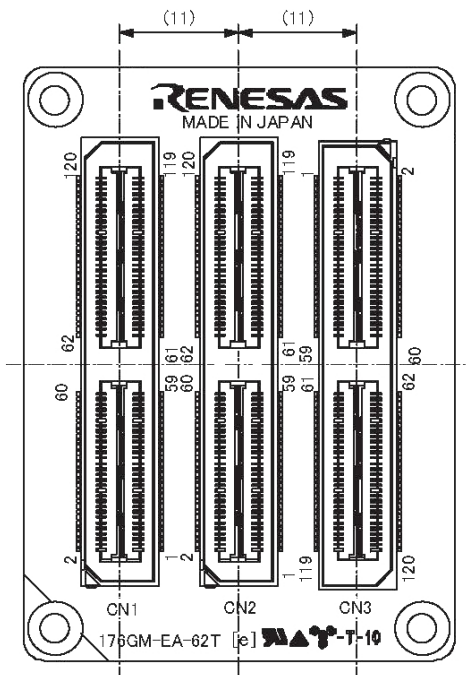
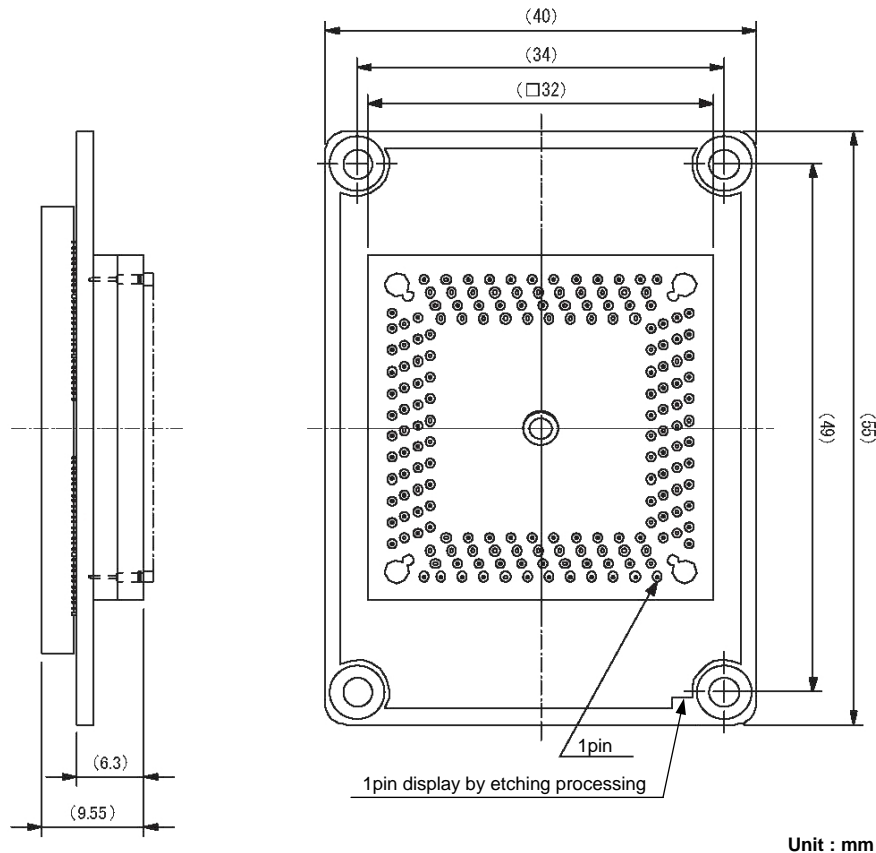


Drawing of QB-176GM-EA-62T

<Top view>



<Bottom view>



Unit : mm