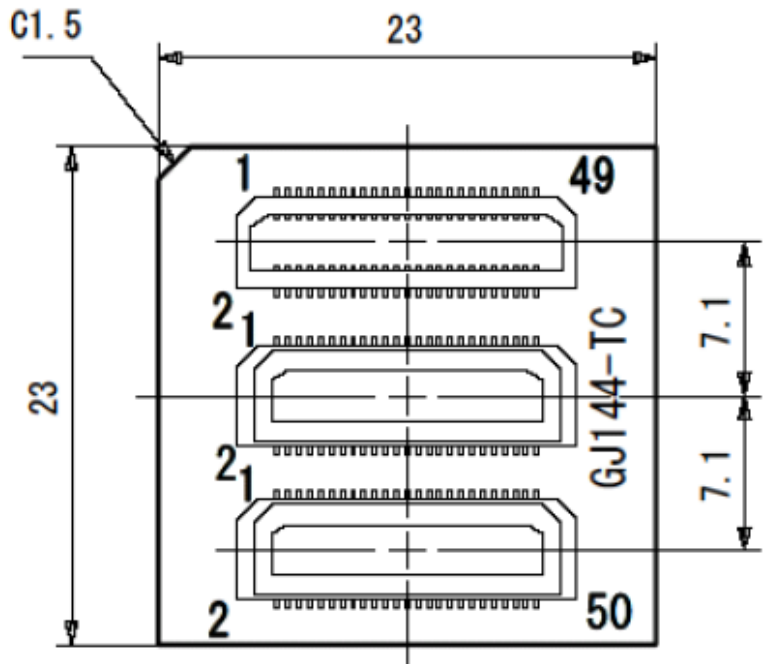
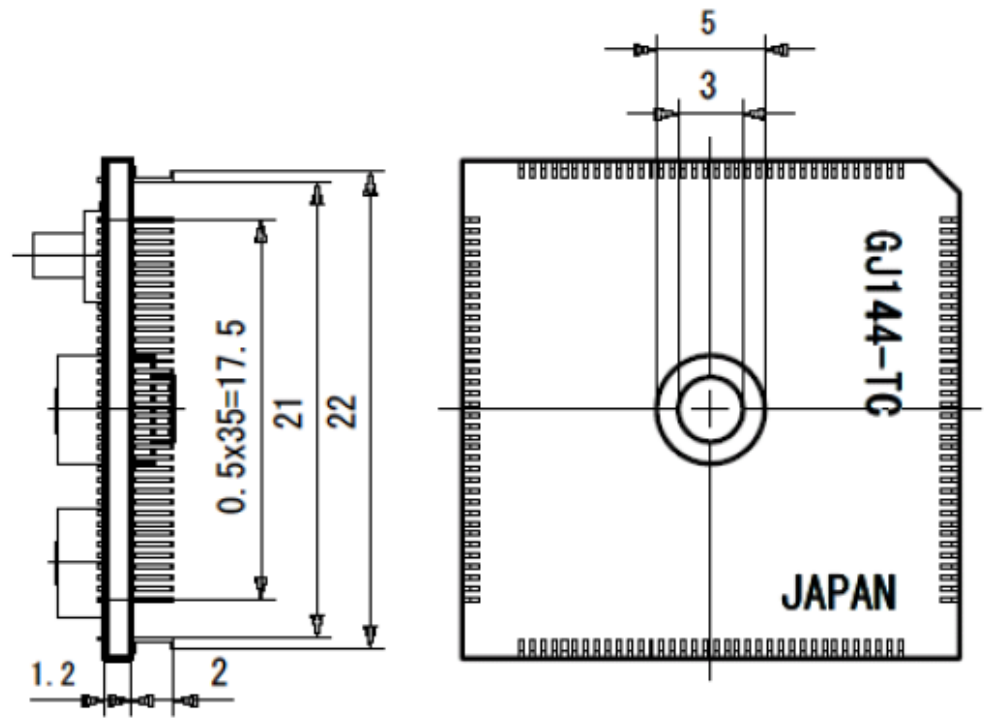


Unit: mm

< Top view >



< Bottom view >



Unit: mm

< Foot Pattern >

