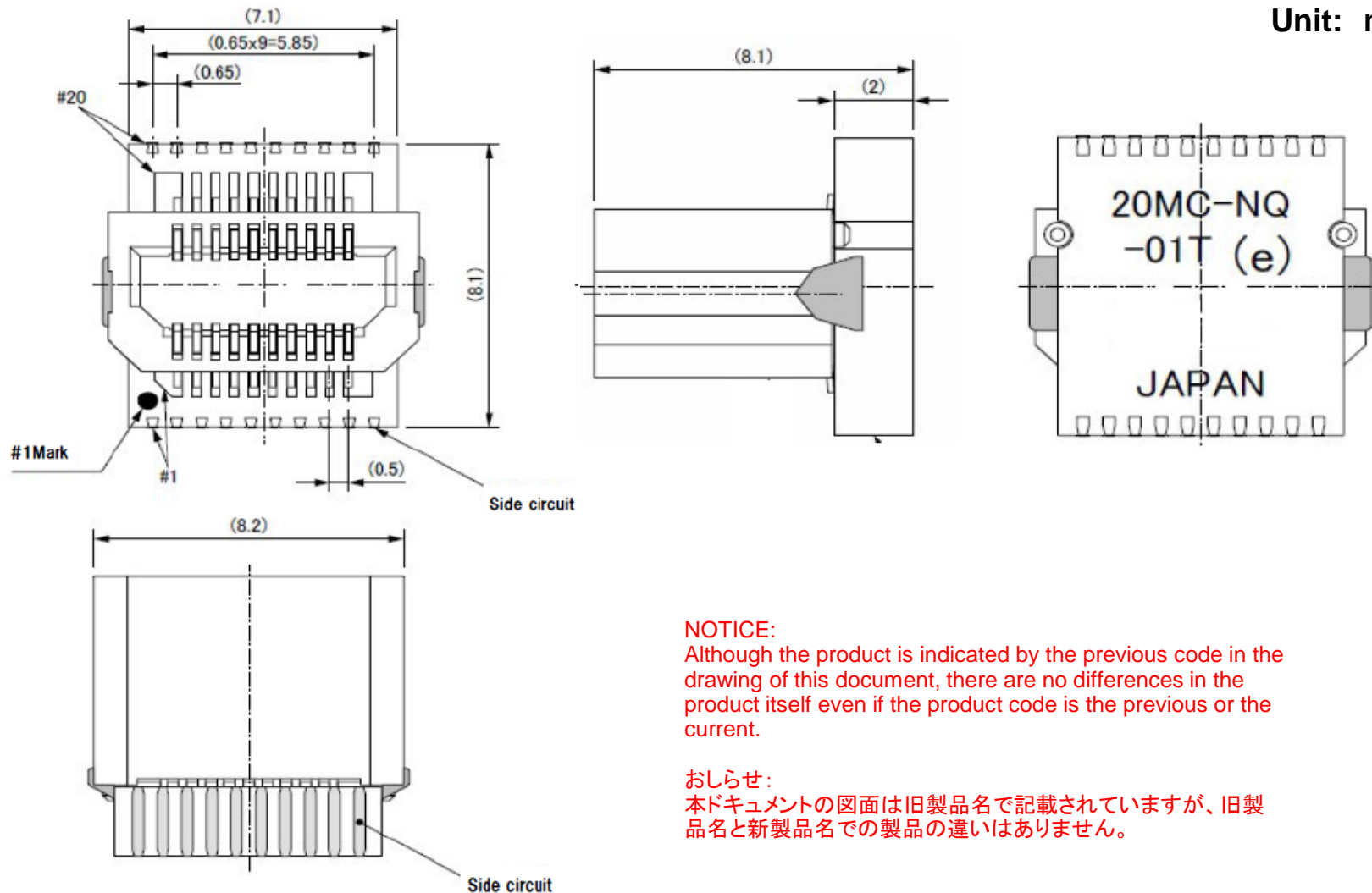


## Drawing of QB-20MC-NQ-01T

R20UT1049EJ0102  
Rev.1.02  
2018.01.26

Unit: mm



**NOTICE:**

Although the product is indicated by the previous code in the drawing of this document, there are no differences in the product itself even if the product code is the previous or the current.

**おしらせ:**

本ドキュメントの図面は旧製品名で記載されていますが、旧製品名と新製品名での製品の違いはありません。

**Unit: mm**

< Foot Pattern >

