

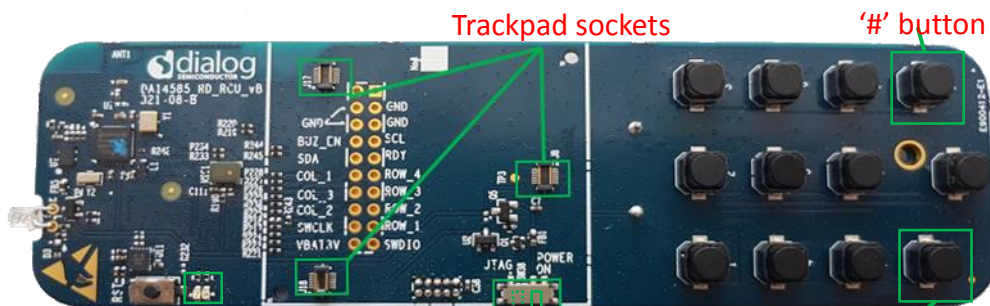
Install the Voice RCU app from the Google Play Store.

1



Install 2 AAA batteries (not included) in the battery enclosure.

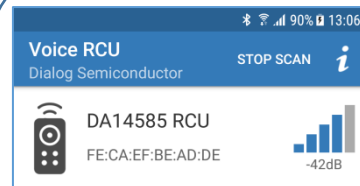
2



LEDs
Make sure the power switch is in the POWER ON position.

PTT
Push To Talk

3

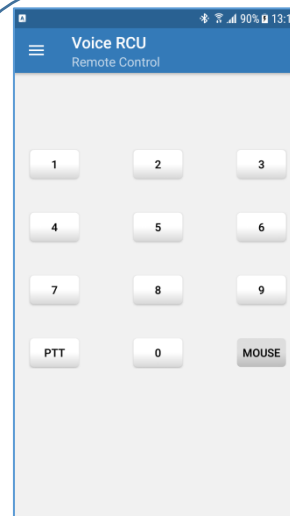


Run the app on your mobile and use the Scan screen to select and connect your RCU.

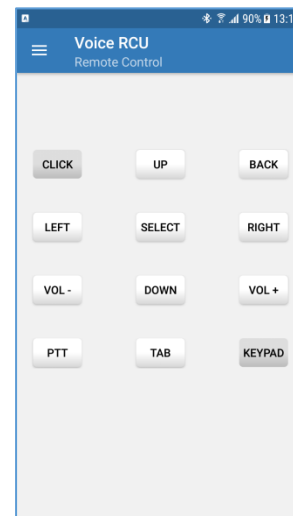
The LEDs indicate the state of the RCU.

RCU state	Indication
RCU connected	Green LED blinks once
RCU disconnected	Green LED blinks 3 times
RCU advertising	Red LED is on for 0.5 second every second
Battery low	Red LED blinks briefly every 2 seconds
Motion active	Green LED blinks once every second

4



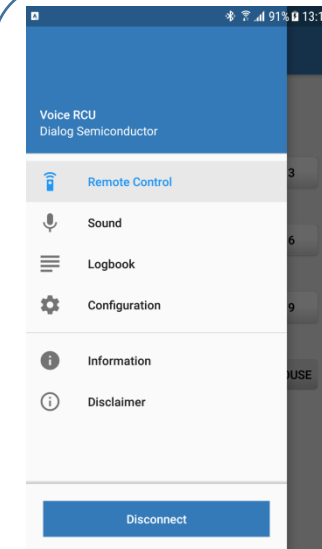
Motion Mouse Off



Motion Mouse On

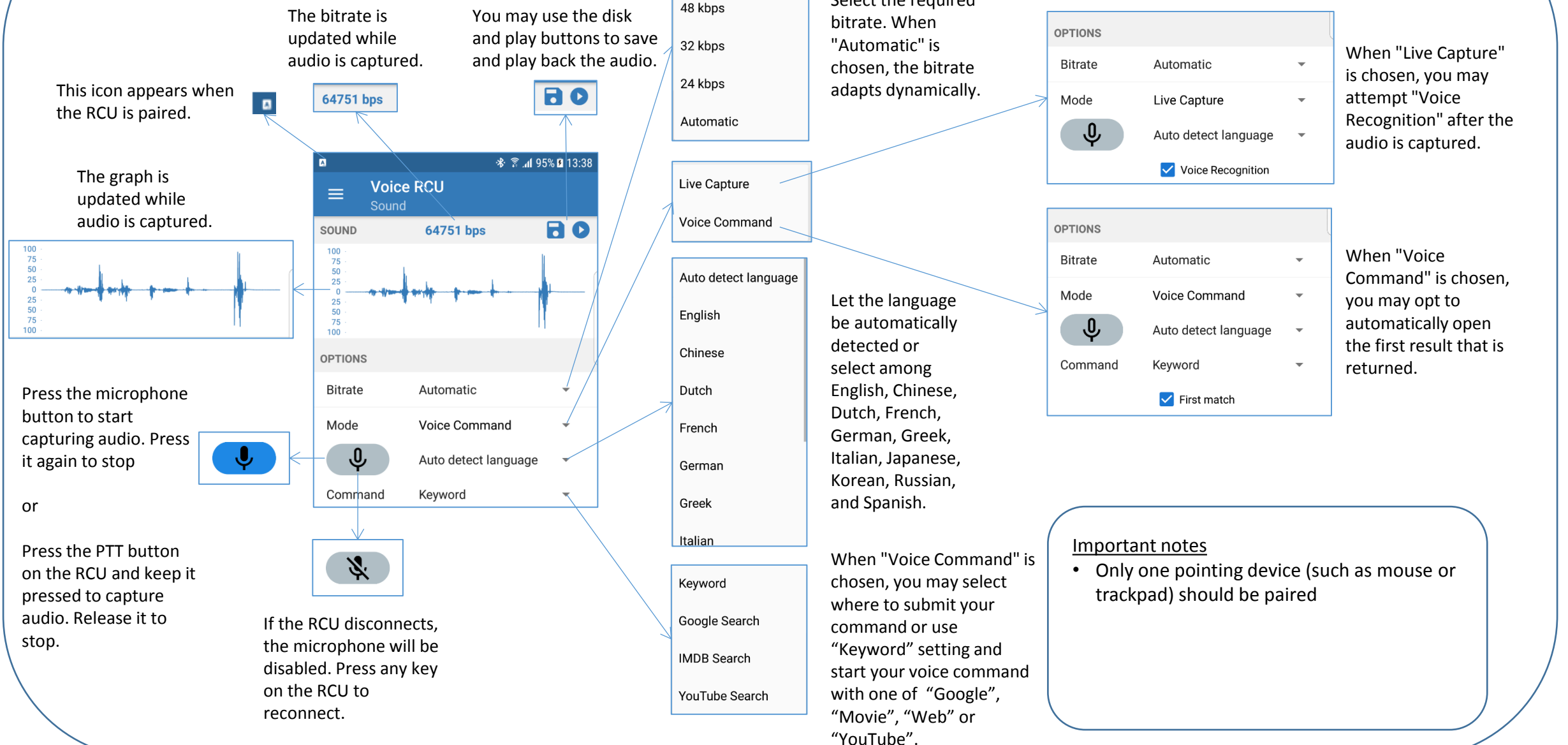
Press “#” on the RCU to toggle between the MOUSE and KEYPAD mappings and test the keyboard.

5



Invoke the app menu and select “Sound” to test the audio functionality.

6



This icon appears when the RCU is paired.

The bitrate is updated while audio is captured.

You may use the disk and play buttons to save and play back the audio.

The graph is updated while audio is captured.



Voice RCU
Sound

SOUND 64751 bps

100 75 50 25 0 25 50 75 100

OPTIONS

Bitrate Automatic

Mode Voice Command

Auto detect language

Command Keyword

- 64 kbps
- 48 kbps
- 32 kbps
- 24 kbps
- Automatic

- Live Capture
- Voice Command

- Auto detect language
- English
- Chinese
- Dutch
- French
- German
- Greek
- Italian

- Keyword
- Google Search
- IMDB Search
- YouTube Search

Select the required bitrate. When "Automatic" is chosen, the bitrate adapts dynamically.

Let the language be automatically detected or select among English, Chinese, Dutch, French, German, Greek, Italian, Japanese, Korean, Russian, and Spanish.

When "Voice Command" is chosen, you may select where to submit your command or use "Keyword" setting and start your voice command with one of "Google", "Movie", "Web" or "YouTube".

OPTIONS

Bitrate Automatic

Mode Live Capture

Auto detect language

Voice Recognition

When "Live Capture" is chosen, you may attempt "Voice Recognition" after the audio is captured.

OPTIONS

Bitrate Automatic

Mode Voice Command

Auto detect language

Command Keyword

First match

When "Voice Command" is chosen, you may opt to automatically open the first result that is returned.

Press the microphone button to start capturing audio. Press it again to stop



or

Press the PTT button on the RCU and keep it pressed to capture audio. Release it to stop.



If the RCU disconnects, the microphone will be disabled. Press any key on the RCU to reconnect.

Important notes

- Only one pointing device (such as mouse or trackpad) should be paired