

The sales of these products are limited for China, Hong Kong, and India.

R7F0C806-809

User's Manual: Hardware

Single-Chip Microcontrollers

All information contained in these materials, including products and product specifications, represents information on the product at the time of publication and is subject to change by Renesas Electronics Corp. without notice. Please review the latest information published by Renesas Electronics Corp. through various means, including the Renesas Electronics Corp. website (<http://www.renesas.com>).

Notice

1. Descriptions of circuits, software and other related information in this document are provided only to illustrate the operation of semiconductor products and application examples. You are fully responsible for the incorporation or any other use of the circuits, software, and information in the design of your product or system. Renesas Electronics disclaims any and all liability for any losses and damages incurred by you or third parties arising from the use of these circuits, software, or information.
2. Renesas Electronics hereby expressly disclaims any warranties against and liability for infringement or any other claims involving patents, copyrights, or other intellectual property rights of third parties, by or arising from the use of Renesas Electronics products or technical information described in this document, including but not limited to, the product data, drawings, charts, programs, algorithms, and application examples.
3. No license, express, implied or otherwise, is granted hereby under any patents, copyrights or other intellectual property rights of Renesas Electronics or others.
4. You shall not alter, modify, copy, or reverse engineer any Renesas Electronics product, whether in whole or in part. Renesas Electronics disclaims any and all liability for any losses or damages incurred by you or third parties arising from such alteration, modification, copying or reverse engineering.
5. Renesas Electronics products are classified according to the following two quality grades: "Standard" and "High Quality". The intended applications for each Renesas Electronics product depends on the product's quality grade, as indicated below.
"Standard": Computers; office equipment; communications equipment; test and measurement equipment; audio and visual equipment; home electronic appliances; machine tools; personal electronic equipment; industrial robots; etc.
"High Quality": Transportation equipment (automobiles, trains, ships, etc.); traffic control (traffic lights); large-scale communication equipment; key financial terminal systems; safety control equipment; etc.
Unless expressly designated as a high reliability product or a product for harsh environments in a Renesas Electronics data sheet or other Renesas Electronics document, Renesas Electronics products are not intended or authorized for use in products or systems that may pose a direct threat to human life or bodily injury (artificial life support devices or systems; surgical implantations; etc.), or may cause serious property damage (space system; undersea repeaters; nuclear power control systems; aircraft control systems; key plant systems; military equipment; etc.). Renesas Electronics disclaims any and all liability for any damages or losses incurred by you or any third parties arising from the use of any Renesas Electronics product that is inconsistent with any Renesas Electronics data sheet, user's manual or other Renesas Electronics document.
6. When using Renesas Electronics products, refer to the latest product information (data sheets, user's manuals, application notes, "General Notes for Handling and Using Semiconductor Devices" in the reliability handbook, etc.), and ensure that usage conditions are within the ranges specified by Renesas Electronics with respect to maximum ratings, operating power supply voltage range, heat dissipation characteristics, installation, etc. Renesas Electronics disclaims any and all liability for any malfunctions, failure or accident arising out of the use of Renesas Electronics products outside of such specified ranges.
7. Although Renesas Electronics endeavors to improve the quality and reliability of Renesas Electronics products, semiconductor products have specific characteristics, such as the occurrence of failure at a certain rate and malfunctions under certain use conditions. Unless designated as a high reliability product or a product for harsh environments in a Renesas Electronics data sheet or other Renesas Electronics document, Renesas Electronics products are not subject to radiation resistance design. You are responsible for implementing safety measures to guard against the possibility of bodily injury, injury or damage caused by fire, and/or danger to the public in the event of a failure or malfunction of Renesas Electronics products, such as safety design for hardware and software, including but not limited to redundancy, fire control and malfunction prevention, appropriate treatment for aging degradation or any other appropriate measures. Because the evaluation of microcomputer software alone is very difficult and impractical, you are responsible for evaluating the safety of the final products or systems manufactured by you.
8. Please contact a Renesas Electronics sales office for details as to environmental matters such as the environmental compatibility of each Renesas Electronics product. You are responsible for carefully and sufficiently investigating applicable laws and regulations that regulate the inclusion or use of controlled substances, including without limitation, the EU RoHS Directive, and using Renesas Electronics products in compliance with all these applicable laws and regulations. Renesas Electronics disclaims any and all liability for damages or losses occurring as a result of your noncompliance with applicable laws and regulations.
9. Renesas Electronics products and technologies shall not be used for or incorporated into any products or systems whose manufacture, use, or sale is prohibited under any applicable domestic or foreign laws or regulations. You shall comply with any applicable export control laws and regulations promulgated and administered by the governments of any countries asserting jurisdiction over the parties or transactions.
10. It is the responsibility of the buyer or distributor of Renesas Electronics products, or any other party who distributes, disposes of, or otherwise sells or transfers the product to a third party, to notify such third party in advance of the contents and conditions set forth in this document.
11. This document shall not be reprinted, reproduced or duplicated in any form, in whole or in part, without prior written consent of Renesas Electronics.
12. Please contact a Renesas Electronics sales office if you have any questions regarding the information contained in this document or Renesas Electronics products.

(Note 1) "Renesas Electronics" as used in this document means Renesas Electronics Corporation and also includes its directly or indirectly controlled subsidiaries.

(Note 2) "Renesas Electronics product(s)" means any product developed or manufactured by or for Renesas Electronics.

NOTES FOR CMOS DEVICES

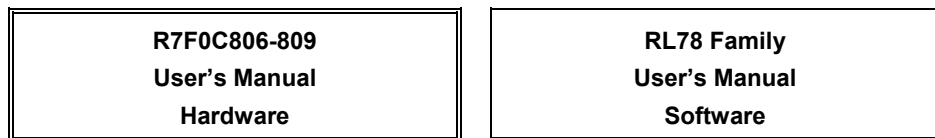
- (1) **VOLTAGE APPLICATION WAVEFORM AT INPUT PIN:** Waveform distortion due to input noise or a reflected wave may cause malfunction. If the input of the CMOS device stays in the area between VIL (MAX) and VIH (MIN) due to noise, etc., the device may malfunction. Take care to prevent chattering noise from entering the device when the input level is fixed, and also in the transition period when the input level passes through the area between VIL (MAX) and VIH (MIN).
- (2) **HANDLING OF UNUSED INPUT PINS:** Unconnected CMOS device inputs can be cause of malfunction. If an input pin is unconnected, it is possible that an internal input level may be generated due to noise, etc., causing malfunction. CMOS devices behave differently than Bipolar or NMOS devices. Input levels of CMOS devices must be fixed high or low by using pull-up or pull-down circuitry. Each unused pin should be connected to VDD or GND via a resistor if there is a possibility that it will be an output pin. All handling related to unused pins must be judged separately for each device and according to related specifications governing the device.
- (3) **PRECAUTION AGAINST ESD:** A strong electric field, when exposed to a MOS device, can cause destruction of the gate oxide and ultimately degrade the device operation. Steps must be taken to stop generation of static electricity as much as possible, and quickly dissipate it when it has occurred. Environmental control must be adequate. When it is dry, a humidifier should be used. It is recommended to avoid using insulators that easily build up static electricity. Semiconductor devices must be stored and transported in an anti-static container, static shielding bag or conductive material. All test and measurement tools including work benches and floors should be grounded. The operator should be grounded using a wrist strap. Semiconductor devices must not be touched with bare hands. Similar precautions need to be taken for PW boards with mounted semiconductor devices.
- (4) **STATUS BEFORE INITIALIZATION:** Power-on does not necessarily define the initial status of a MOS device. Immediately after the power source is turned ON, devices with reset functions have not yet been initialized. Hence, power-on does not guarantee output pin levels, I/O settings or contents of registers. A device is not initialized until the reset signal is received. A reset operation must be executed immediately after power-on for devices with reset functions.
- (5) **POWER ON/OFF SEQUENCE:** In the case of a device that uses different power supplies for the internal operation and external interface, as a rule, switch on the external power supply after switching on the internal power supply. When switching the power supply off, as a rule, switch off the external power supply and then the internal power supply. Use of the reverse power on/off sequences may result in the application of an overvoltage to the internal elements of the device, causing malfunction and degradation of internal elements due to the passage of an abnormal current. The correct power on/off sequence must be judged separately for each device and according to related specifications governing the device.
- (6) **INPUT OF SIGNAL DURING POWER OFF STATE :** Do not input signals or an I/O pull-up power supply while the device is not powered. The current injection that results from input of such a signal or I/O pull-up power supply may cause malfunction and the abnormal current that passes in the device at this time may cause degradation of internal elements. Input of signals during the power off state must be judged separately for each device and according to related specifications governing the device.

How to Use This Manual

Readers This manual is intended for user engineers who wish to understand the functions of the R7F0C806-809 and design and develop application systems and programs for these devices.

Purpose This manual is intended to give users an understanding of the functions described in the **Organization** below.

Organization The R7F0C806-809 manual is separated into two parts: this manual and the software edition (common to the RL78 family).



- Pin functions
- Internal block functions
- Interrupts
- Other on-chip peripheral functions
- Electrical specifications
- CPU functions
- Instruction set
- Explanation of each instruction

How to Read This Manual It is assumed that the readers of this manual have general knowledge of electrical engineering, logic circuits, and microcontrollers.

- To gain a general understanding of functions:
 - Read this manual in the order of the **CONTENTS**. The mark “<R>” shows major revised points. The revised points can be easily searched by copying an “<R>” in the PDF file and specifying it in the “Find what:” field.
- How to interpret the register format:
 - For a bit number enclosed in angle brackets, the bit name is defined as a reserved word in the assembler, and is defined as an sfr variable using the #pragma sfr directive in the compiler.
- To know details of the R7F0C806-809 Microcontroller instructions:
 - Refer to the separate document **RL78 Family Software User's Manual (R01US0015E)**.

Conventions

Data significance:	Higher digits on the left and lower digits on the right
Active low representations:	$\bar{x}\bar{x}$ (overscore over pin and signal name)
Note:	Footnote for item marked with Note in the text
Caution:	Information requiring particular attention
Remark:	Supplementary information
Numerical representations:	Binary ...xxxx or xxxxB
	Decimal ...xxxx
	Hexadecimal ...xxxxH

Related Documents

The related documents indicated in this publication may include preliminary versions. However, preliminary versions are not marked as such.

Documents Related to Devices

Document Name	Document No.
R7F0C806-809 User's Manual Hardware	This manual
RL78 Family Software User's Manual	R01US0015E

Documents Related to Flash Memory Programming

Document Name	Document No.
PG-FP5 Flash Memory Programmer User's Manual	—
RL78, 78K, V850, RX100, RX200, RX600 (Except RX64x), R8C, SH	R20UT2923E
Common	R20UT2922E
Setup Manual	R20UT0930E

Other Documents

Document Name	Document No.
Renesas Microcontrollers RL78 Family	R01CP0003E
Semiconductor Package Mount Manual	R50ZZ0003E
Semiconductor Reliability Handbook	R51ZZ0001E

Caution The related documents listed above are subject to change without notice. Be sure to use the latest version of each document when designing.

All trademarks and registered trademarks are the property of their respective owners.

EEPROM is a trademark of Renesas Electronics Corporation.

SuperFlash is a registered trademark of Silicon Storage Technology, Inc. in several countries including the United States and Japan.

Caution: This product uses SuperFlash [®] technology licensed from Silicon Storage Technology, Inc.
--

CONTENTS

CHAPTER 1 OUTLINE.....	1
1.1 Features.....	1
1.2 List of Part Numbers	3
1.3 Pin Configuration (Top View)	4
1.3.1 R7F0C806 and R7F0C807 products	4
1.3.2 R7F0C808 and R7F0C809 products	4
1.4 Pin Identification.....	5
1.5 Block Diagram	6
1.5.1 R7F0C806 and R7F0C807 products	6
1.5.2 R7F0C808 and R7F0C809 products	7
1.6 Outline of Functions.....	8
CHAPTER 2 PIN FUNCTIONS	10
2.1 Port Functions	10
2.1.1 R7F0C806 and R7F0C807 products	10
2.1.2 R7F0C808 and R7F0C809 products	11
2.2 Functions Other than Port Pins	12
2.2.1 Functions for each product.....	12
2.2.2 Description of functions	13
2.3 Connection of Unused Pins	14
2.4 Block Diagrams of Pins	15
CHAPTER 3 CPU ARCHITECTURE	24
3.1 Memory Space	25
3.1.1 Internal program memory space.....	27
3.1.2 Mirror area.....	29
3.1.3 Internal data memory space	30
3.1.4 Special function register (SFR) area	30
3.1.5 Extended special function register (2nd SFR: 2nd Special Function Register) area	30
3.1.6 Data memory addressing	31
3.2 Processor Registers.....	32
3.2.1 Control registers	32
3.2.2 General-purpose registers.....	34
3.2.3 ES and CS registers.....	35
3.2.4 Special function registers (SFRs).....	36
3.2.5 Extended special function registers (2nd SFRs: 2nd Special Function Registers)	39
3.3 Instruction Address Addressing.....	42

3.3.1	Relative addressing	42
3.3.2	Immediate addressing	42
3.3.3	Table indirect addressing	43
3.3.4	Register direct addressing.....	43
3.4	Addressing for Processing Data Addresses	44
3.4.1	Implied addressing	44
3.4.2	Register addressing	44
3.4.3	Direct addressing	45
3.4.4	Short direct addressing	46
3.4.5	SFR addressing.....	47
3.4.6	Register indirect addressing	48
3.4.7	Based addressing.....	49
3.4.8	Based indexed addressing	53
3.4.9	Stack addressing.....	54
CHAPTER 4	PORT FUNCTIONS	58
4.1	Port Functions	58
4.2	Port Configuration.....	58
4.2.1	Port configuration of R7F0C806 and R7F0C807 products	58
4.2.2	Port configuration of R7F0C808 and R7F0C809 products	60
4.3	Registers Controlling Port Function	62
4.3.1	Port mode registers 0, 1, 4 (PM0, PM1, PM4).....	63
4.3.2	Port registers 0, 1, 4, 12, 13 (P0, P1, P4, P12, P13).....	64
4.3.3	Pull-up resistor option registers 0, 1, 4, 12 (PU0, PU1, PU4, PU12).....	65
4.3.4	Pull-down resistor option registers 0, 1 (PD0, PD1) (R7F0C808 and R7F0C809 only).....	66
4.3.5	Port output mode registers 0, 1 (POM0, POM1).....	67
4.3.6	Port mode control registers 0, 1 (PMC0, PMC1)	68
4.3.7	Peripheral I/O redirection register (PIOR).....	69
4.4	Port Function Operations	70
4.4.1	Writing to I/O port	70
4.4.2	Reading from I/O port.....	70
4.4.3	Operations on I/O port.....	70
4.5	Register Settings When an Alternate Function Is Used	71
4.5.1	Basic concepts on using an alternate function	71
4.5.2	Register settings for alternate functions that do not use an output function	72
4.5.3	Example of register settings for port and alternate functions used	72
4.6	8-Seg LED Control Example (R7F0C808 and R7F0C809 Only)	81
4.6.1	Overview	81
4.6.2	Hardware connection example	81
4.6.3	Port output timing	82
4.6.4	Flowcharts	83

4.6.5 Register settings.....	85
4.7 Cautions When Using Port Function.....	86
4.7.1 Cautions on 1-bit manipulation instruction for port register n (Pn).....	86
4.7.2 Notes on specifying the pin settings.....	87
CHAPTER 5 CLOCK GENERATOR.....	88
5.1 Functions of Clock Generator.....	88
5.2 Configuration of Clock Generator.....	89
5.3 Registers Controlling Clock Generator.....	91
5.3.1 Peripheral enable register 0 (PER0).....	92
5.3.2 Operation speed mode control register (OSMC).....	93
5.3.3 High-speed on-chip oscillator frequency selection register (HOCODIV).....	94
5.4 System Clock Oscillator.....	95
5.4.1 High-speed on-chip oscillator.....	95
5.4.2 Low-speed on-chip oscillator.....	95
5.5 Clock Generator Operation.....	96
5.6 Controlling Clock.....	97
5.6.1 Example of setting high-speed on-chip oscillator.....	97
5.6.2 CPU clock status transition diagram.....	98
CHAPTER 6 TIMER ARRAY UNIT.....	99
6.1 Functions of Timer Array Unit.....	101
6.1.1 Independent channel operation function.....	101
6.1.2 Simultaneous channel operation function.....	103
6.1.3 8-bit timer operation function (channels 1 and 3 only).....	105
6.2 Configuration of Timer Array Unit.....	106
6.2.1 Timer counter register 0n (TCR0n).....	109
6.2.2 Timer data register 0n (TDR0n).....	111
6.3 Registers Controlling Timer Array Unit.....	113
6.3.1 Peripheral enable register 0 (PER0).....	114
6.3.2 Timer clock select register 0 (TPS0).....	115
6.3.3 Timer mode register 0n (TMR0n).....	116
6.3.4 Timer status register 0n (TSR0n).....	121
6.3.5 Timer channel enable status register 0 (TE0, TEH0 (8-bit mode)).....	122
6.3.6 Timer channel start register 0 (TS0, TSH0 (8-bit mode)).....	123
6.3.7 Timer channel stop register 0 (TT0, TTH0 (8-bit mode)).....	124
6.3.8 Timer output enable register 0 (TOE0).....	125
6.3.9 Timer output register 0 (TO0).....	126
6.3.10 Timer output level register 0 (TOL0).....	127
6.3.11 Timer output mode register 0 (TOM0).....	128
6.3.12 Noise filter enable register 1 (NFEN1).....	129

6.3.13	Input switch control register (ISC)	130
6.3.14	Timer I/O control register (TIOSC)	131
6.3.15	Registers controlling port functions of pins to be used for timer I/O	132
6.4	Basic Rules of Timer Array Unit	133
6.4.1	Basic rules of simultaneous channel operation function	133
6.4.2	Basic rules of 8-bit timer operation function (only channels 1 and 3)	135
6.5	Operation of Counter	136
6.5.1	Count clock (f_{TCLK})	136
6.5.2	Start timing of counter	138
6.5.3	Counter operation	139
6.6	Channel Output (TO0n pin) Control	144
6.6.1	TO0n pin output circuit configuration	144
6.6.2	TO0n pin output setting	145
6.6.3	Cautions on channel output operation	146
6.6.4	Collective manipulation of TO0n bit	150
6.6.5	Timer interrupt and TO0n pin output at count operation start	151
6.7	Timer Input (TI0n) Control	152
6.7.1	TI0n input circuit configuration	152
6.7.2	Noise filter	152
6.7.3	Cautions on channel input operation	153
6.8	Independent Channel Operation Function of Timer Array Unit	154
6.8.1	Operation as interval timer/square wave output	154
6.8.2	Operation as external event counter	160
6.8.3	Operation as frequency divider (only channels 0 and 3)	165
6.8.4	Operation as input pulse interval measurement	170
6.8.5	Operation as input signal high-/low-level width measurement	175
6.8.6	Operation as delay counter	180
6.9	Simultaneous Channel Operation Function of Timer Array Unit	185
6.9.1	Operation as one-shot pulse output	185
6.9.2	Two-channel input with one-shot pulse output function	194
6.9.3	Operation as PWM output function	203
6.9.4	Operation as multiple PWM output function	211
6.10	Cautions When Using Timer Array Unit	220
6.10.1	Cautions when using timer output	220
CHAPTER 7	12-BIT INTERVAL TIMER	221
7.1	Functions of 12-bit Interval Timer	221
7.2	Configuration of 12-bit Interval Timer	221
7.3	Registers Controlling 12-bit Interval Timer	222
7.3.1	Peripheral enable register 0 (PER0)	222
7.3.2	Operation speed mode control register (OSMC)	223

7.3.3 Interval timer control register (ITMCH, ITMCL).....	224
7.4 12-bit Interval Timer Operation	225
7.4.1 12-bit interval timer operation timing	225
7.4.2 Start of count operation and re-enter to HALT/STOP mode after returned from HALT/STOP mode.....	226
CHAPTER 8 CLOCK OUTPUT/BUZZER OUTPUT CONTROLLER.....	227
8.1 Functions of Clock Output/Buzzer Output Controller	227
8.2 Configuration of Clock Output/Buzzer Output Controller.....	228
8.3 Registers Controlling Clock Output/Buzzer Output Controller	228
8.3.1 Clock output select register 0 (CKS0)	229
8.3.2 Registers controlling port functions of clock output/buzzer output pin	230
8.4 Operations of Clock Output/Buzzer Output Controller	231
8.4.1 Operation as output pin	231
CHAPTER 9 WATCHDOG TIMER	232
9.1 Functions of Watchdog Timer.....	232
9.2 Configuration of Watchdog Timer	233
9.3 Register Controlling Watchdog Timer.....	234
9.3.1 Watchdog timer enable register (WDTE).....	234
9.4 Operation of Watchdog Timer	235
9.4.1 Controlling operation of watchdog timer	235
9.4.2 Setting time of watchdog timer	236
CHAPTER 10 A/D CONVERTER	237
10.1 Function of A/D Converter.....	237
10.2 Configuration of A/D Converter	239
10.3 Registers Used in A/D Converter.....	241
10.3.1 Peripheral enable register 0 (PER0).....	241
10.3.2 A/D converter mode register 0 (ADM0)	242
10.3.3 A/D converter mode register 2 (ADM2)	246
10.3.4 A/D conversion result higher-order bit storage register (ADCRH)	246
10.3.5 A/D conversion result lower-order bit storage register (ADCRL)	247
10.3.6 Analog input channel specification register (ADS).....	248
10.3.7 Registers controlling port function of analog input pins	248
10.4 A/D Converter Conversion Operations	249
10.5 Input Voltage and Conversion Results	251
10.6 A/D Converter Operation Modes	252
10.7 A/D Converter Setup Flowchart	253
10.7.1 Setting up A/D conversion of voltages on ANI0 to ANI7	253

10.8 How to Read A/D Converter Characteristics Table.....	254
10.8.1 Resolution	254
10.8.2 Overall error	254
10.8.3 Quantization error.....	254
10.8.4 Zero-scale error.....	255
10.8.5 Full-scale error	255
10.8.6 Integral linearity error	255
10.8.7 Differential linearity error	255
10.8.8 Conversion time	256
10.8.9 Sampling time.....	256
10.9 Cautions for A/D Converter	257
10.9.1 Operating current in STOP mode.....	257
10.9.2 Input range of ANI0 to ANI7 pins.....	257
10.9.3 Conflicting operations.....	257
10.9.4 Noise countermeasures.....	257
10.9.5 Analog input (ANIn) pins.....	258
10.9.6 Input impedance of analog input (ANIn) pins.....	258
10.9.7 Interrupt request flag (ADIF).....	258
10.9.8 Conversion results just after A/D conversion start.....	258
10.9.9 A/D conversion result register (ADCRH, ADCRL) read operation	258
10.9.10 Internal equivalent circuit.....	259
10.9.11 Starting the A/D converter	259
CHAPTER 11 SERIAL ARRAY UNIT.....	260
11.1 Functions of Serial Array Unit.....	261
11.1.1 3-wire serial I/O (CSI00).....	261
11.1.2 UART (UART0)	262
11.2 Configuration of Serial Array Unit	263
11.3 Registers Controlling Serial Array Unit.....	266
11.3.1 Peripheral enable register 0 (PER0).....	267
11.3.2 Serial clock select register 0 (SPS0)	268
11.3.3 Serial mode register 0n (SMR0nH, SMR0nL).....	269
11.3.4 Serial communication operation setting register 0n (SCR0nH, SCR0nL).....	271
11.3.5 Serial data register 0n (SDR0nH, SDR0nL)	273
11.3.6 Serial flag clear trigger register 0n (SIR0n)	274
11.3.7 Serial status register 0n (SSR0n).....	275
11.3.8 Serial channel start register 0 (SS0).....	277
11.3.9 Serial channel stop register 0 (ST0).....	278
11.3.10 Serial channel enable status register 0 (SE0)	279
11.3.11 Serial output enable register 0 (SOE0).....	280
11.3.12 Serial output register 0 (SO0).....	281

11.3.13	Serial clock output register (CKO0)	282
11.3.14	Serial output level register 0 (SOL0)	283
11.3.15	Noise filter enable register 0 (NFEN0)	284
11.3.16	Input switch control register (ISC)	285
11.3.17	Registers controlling port functions of serial input/output pins	286
11.4	Operation Stop Mode	287
11.4.1	Stopping the operation by units	287
11.4.2	Stopping the operation by channels	288
11.5	Operation of 3-Wire Serial I/O (CSI00) Communication	289
11.5.1	Master transmission	290
11.5.2	Master reception	300
11.5.3	Master transmission/reception	309
11.5.4	Slave transmission	319
11.5.5	Slave reception	329
11.5.6	Slave transmission/reception	336
11.5.7	Calculating transfer clock frequency	346
11.5.8	Procedure for processing errors that occurred during 3-wire serial I/O (CSI00) communication	348
11.6	Operation of UART (UART0) Communication	349
11.6.1	UART transmission	350
11.6.2	UART reception	360
11.6.3	Calculating baud rate	367
11.6.4	Procedure for processing errors that occurred during UART (UART0) communication	371
CHAPTER 12	REAL-TIME OUTPUT CONTROLLER (R7F0C806 and R7F0C807 only)	372
12.1	Functions of Real-Time Output Controller	372
12.2	Configuration of Real-Time Output Controller	373
12.3	Registers Controlling Real-Time Output Controller	373
12.3.1	RTO source selection register (RTOSRC)	374
12.3.2	RTO forced cutoff control register (RTOSHT)	375
12.3.3	RTO control register 0 (RTOOUTC0)	376
12.3.4	RTO control register 1 (RTOOUTC1)	377
12.3.5	RTO forced cutoff output selection register (RTOCIO)	378
12.3.6	RTO forced cutoff status register (RTOSTR)	379
12.3.7	Registers controlling the port function of real-time output pins	380
12.4	Operations of Real-Time Output Controller	381
12.4.1	Initial setup	381
12.4.2	Normal operation	382
12.4.3	Forced cutoff processing (RTOSHTn = 1)	382
12.4.4	Forced cutoff using INTP0	382
12.5	Notes on Use	384
12.6	Example of Controlling Brushless DC Electric Motor	385

12.6.1 Overview	385
12.6.2 Timing of controlling three-phase BLDC motors	386
12.6.3 Flowchart of real-time output initialization.....	387
12.6.4 Register setting example	388
12.7 Example of Controlling Stepper Motors.....	389
12.7.1 Overview	389
12.7.2 Hardware connection example	389
12.7.3 Controlling the stepper motors	390
12.7.4 Flowchart of RTO initialization.....	391
12.7.5 Register settings.....	392
CHAPTER 13 INTERRUPT FUNCTIONS.....	393
13.1 Interrupt Function Types	393
13.2 Interrupt Sources and Configuration	393
13.3 Registers Controlling Interrupt Functions.....	397
13.3.1 Interrupt request flag registers (IF0L, IF0H, IF1L)	398
13.3.2 Interrupt mask flag registers (MK0L, MK0H, MK1L).....	399
13.3.3 Priority specification flag registers (PR00L, PR00H, PR10L, PR10H, PR01L, PR11L).....	400
13.3.4 External interrupt rising edge enable register 0 (EGP0), external interrupt falling edge enable register 0 (EGN0)	401
13.3.5 Program status word (PSW).....	402
13.4 Interrupt Servicing Operations	403
13.4.1 Maskable interrupt request acknowledgment	403
13.4.2 Software interrupt request acknowledgment	405
13.4.3 Multiple interrupt servicing.....	405
13.4.4 Interrupt request hold	409
CHAPTER 14 KEY INTERRUPT FUNCTION	410
14.1 Functions of Key Interrupt	410
14.2 Configuration of Key Interrupt	410
14.3 Register Controlling Key Interrupt	412
14.3.1 Key return control register (KRCTL).....	412
14.3.2 Key return mode register (KRM0).....	413
14.3.3 Key return flag register (KRF).....	414
14.3.4 Registers controlling port functions of key interrupt input pins.....	414
14.4 Key Interrupt Operation	415
14.4.1 When not using the key interrupt flag (KRMD = 0)	415
14.4.2 When using the key interrupt flag (KRMD = 1)	416

CHAPTER 15 STANDBY FUNCTION	418
15.1 Overview.....	418
15.2 Standby Function Operation	419
15.2.1 HALT mode	419
15.2.2 STOP mode.....	421
 CHAPTER 16 RESET FUNCTION.....	 424
16.1 Timing of Reset Operation	426
16.2 Operation States During Reset Periods	428
16.3 Register for Confirming Reset Source	430
16.3.1 Reset control flag register (RESF).....	430
 CHAPTER 17 SELECTABLE POWER-ON-RESET CIRCUIT	 432
17.1 Functions of Selectable Power-on-reset Circuit	432
17.2 Configuration of Selectable Power-on-reset Circuit.....	433
17.3 Operation of Selectable Power-on-reset Circuit	434
17.4 Cautions for Selectable Power-on-reset Circuit.....	435
 CHAPTER 18 OPTION BYTE.....	 436
18.1 Functions of Option Bytes	436
18.1.1 User option byte (000C0H to 000C2H).....	436
18.1.2 On-chip debug option byte (000C3H).....	436
18.2 Format of User Option Byte	437
18.3 Format of On-chip Debug Option Byte.....	439
18.4 Setting of Option Byte.....	440
 CHAPTER 19 FLASH MEMORY	 441
19.1 Serial Programming by Using Flash Memory Programmer	442
19.1.1 Programming environment	443
19.1.2 Communication mode	443
19.2 Writing to Flash Memory by Using External Device (That Incorporates UART)	444
19.2.1 Programming environment	444
19.2.2 Communication mode	444
19.3 Connection of Pins on Board.....	445
19.3.1 P40/TOOL0 pin	445
19.3.2 $\overline{\text{RESET}}$ pin.....	445
19.3.3 Port pins	446
19.3.4 Power supply.....	446
19.4 Serial Programming Method	447
19.4.1 Serial programming procedure	447

19.4.2	Flash memory programming mode.....	448
19.4.3	Communication mode	449
19.4.4	Communication commands	449
19.5	Processing Time of Each Command When Using PG-FP5 (Reference Values)	449
CHAPTER 20	ON-CHIP DEBUG FUNCTION	450
20.1	Connecting E1 On-chip Debugging Emulator	450
20.2	On-chip Debug Security ID	452
20.3	Securing of User Resources	452
CHAPTER 21	BCD CORRECTION CIRCUIT	454
21.1	BCD Correction Circuit Function	454
21.2	Registers Used by BCD Correction Circuit	454
21.2.1	BCD correction result register (BCDADJ).....	454
21.3	BCD Correction Circuit Operation	455
CHAPTER 22	INSTRUCTION SET.....	457
22.1	Conventions Used in Operation List	458
22.1.1	Operand identifiers and specification methods.....	458
22.1.2	Description of operation column	459
22.1.3	Description of flag operation column	460
22.1.4	PREFIX instruction	460
22.2	Operation List	461
CHAPTER 23	ELECTRICAL SPECIFICATIONS	478
23.1	Absolute Maximum Ratings	479
23.2	Oscillator Characteristics	480
23.2.1	On-chip oscillator characteristics	480
23.3	DC Characteristics	481
23.3.1	Pin characteristics of R7F0C806 and R7F0C807.....	481
23.3.2	Pin characteristics of R7F0C808 and R7F0C809.....	482
23.3.3	Common items	484
23.3.4	Supply current characteristics	485
23.4	AC Characteristics	486
23.5	Serial Interface Characteristics.....	488
23.5.1	Serial array unit	488
23.6	Analog Characteristics	492
23.6.1	A/D converter characteristics.....	492
23.6.2	SPOR circuit characteristics	493
23.6.3	Power supply voltage rising slope characteristics	493

23.6.4 Data retention power supply voltage characteristics	493
23.7 Flash Memory Programming Characteristics.....	494
23.8 Dedicated Flash Memory Programmer Communication (UART).....	494
23.9 Timing of Entry to Flash Memory Programming Modes	495
CHAPTER 24 PACKAGE DRAWINGS	496
24.1 20-Pin Products	496
APPENDIX A REVISION HISTORY	498
A.1 Major Revisions in This Edition	498
A.2 Revision History of Preceding Editions	499

CHAPTER 1 OUTLINE

1.1 Features

Ultra-low power consumption technology

- V_{DD} = single power supply voltage of 2.4 to 5.5 V

(Use this product within the voltage range from 2.57 to 5.5 V because the detection voltage (V_{SPOR}) of the selectable power-on-reset (SPOR) circuit should also be considered.)

- HALT mode
- STOP mode

RL78 CPU core

- CISC architecture with 3-stage pipeline
- Minimum instruction execution time: Can be changed from high speed (0.05 μ s: @ 20 MHz operation with high-speed on-chip oscillator) to low speed (1.0 μ s: @ 1 MHz operation)
- Address space: 1 MB
- General-purpose registers: 8-bit register \times 8
- On-chip RAM: 512 B to 1 KB

Code flash memory

- Code flash memory: 4 KB to 8 KB
- On-chip debug function

High-speed on-chip oscillator

- Select from 20 MHz, 10 MHz, 5 MHz, 2.5 MHz, and 1.25 MHz
- High accuracy: $\pm 2.0\%$ (V_{DD} = 2.4 to 5.5 V, T_A = 0 to +40°C)

Operating ambient temperature

- T_A = -40 to +85°C

Power management and reset function

- On-chip selectable power-on-reset (SPOR) circuit

Serial interface

- CSI: 1 channel
- UART: 1 channel

Timer

- 8-/16-bit timer: 4 channels
- 12-bit interval timer: 1 channel
- Watchdog timer: 1 channel (operable with the dedicated low-speed on-chip oscillator)
- Real-time output function: 8 channels (R7F0C806 and R7F0C807 only)

A/D converter

- 8/10-bit resolution A/D converter (V_{DD} = 2.4 to 5.5 V)
- Analog input: 8 channels

I/O port

- I/O port: 18 (N-ch open drain output [V_{DD} withstand voltage]: 14)
(P-ch open drain output [V_{DD} withstand voltage]: 6)
- High current pin (R7F0C808 and R7F0C809 only)
- Can be set to N-ch open drain and on-chip pull-up resistor
- On-chip key interrupt function
- On-chip clock output/buzzer output controller

Others

- On-chip BCD (binary-coded decimal) correction circuit

<R>

ROM, RAM capacities

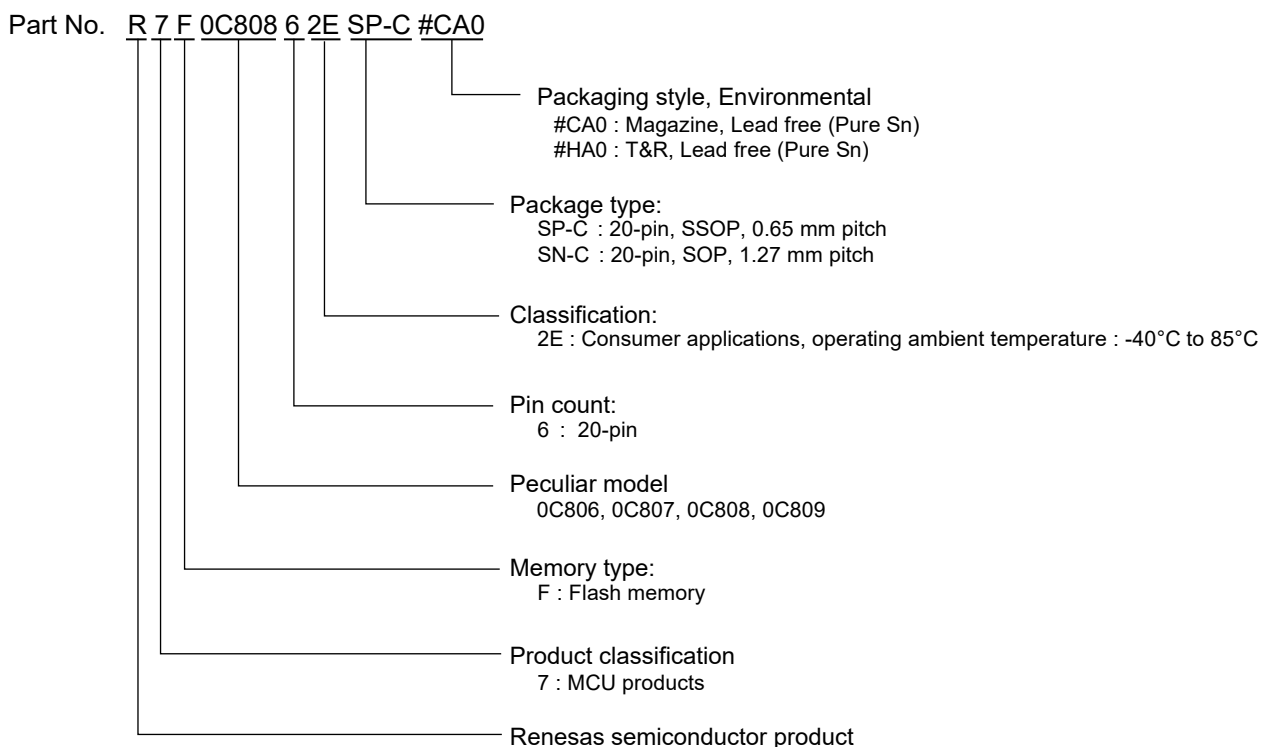
Flash ROM	RAM	20 Pins	
		R7F0C806, R7F0C807	R7F0C808, R7F0C809
8 KB	1 KB	R7F0C80762ESP-C R7F0C80762ESN-C	R7F0C80962ESP-C R7F0C80962ESN-C
4 KB	512 B	R7F0C80662ESP-C R7F0C80662ESN-C	R7F0C80862ESP-C R7F0C80862ESN-C

Remark The functions mounted depend on the product. See **1.6 Outline of Functions**.

1.2 List of Part Numbers

Figure 1-1. Part Number, Memory Size, and Package of R7F0C806-809

<R>



<R>

Table 1-1. List of Ordering Part Numbers

Pin Count	Package	Part Number
20 pins	20-pin plastic SSOP (4.4 × 6.5 mm, 0.65 mm pitch)	R7F0C80762ESP-C#CA0,R7F0C80762ESP-C#HA0
		R7F0C80962ESP-C#CA0,R7F0C80962ESP-C#HA0
		R7F0C80662ESP-C#CA0,R7F0C80662ESP-C#HA0
		R7F0C80862ESP-C#CA0,R7F0C80862ESP-C#HA0
20 pins	20-pin plastic SOP (7.5 × 12.8 mm, 1.27 mm pitch)	R7F0C80762ESN-C#HA0,R7F0C80962ESN-C#HA0
		R7F0C80662ESN-C#HA0,R7F0C80862ESN-C#HA0

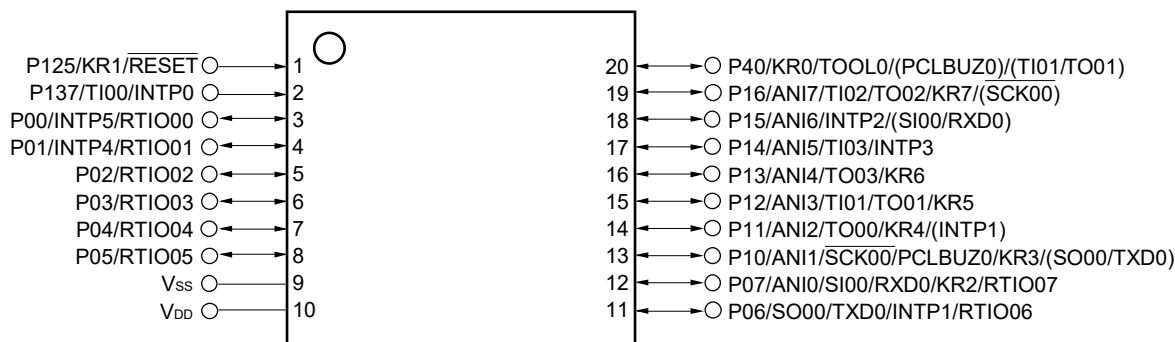
Caution The part number represents the number at the time of publication.
Be sure to review the latest part number through the target product page in the Renesas Electronics Corp. website.

1.3 Pin Configuration (Top View)

1.3.1 R7F0C806 and R7F0C807 products

- 20-pin plastic SSOP (4.4 × 6.5 mm, 0.65 mm pitch)
- 20-pin plastic SOP (7.5 × 12.8 mm, 1.27 mm pitch)

<R>

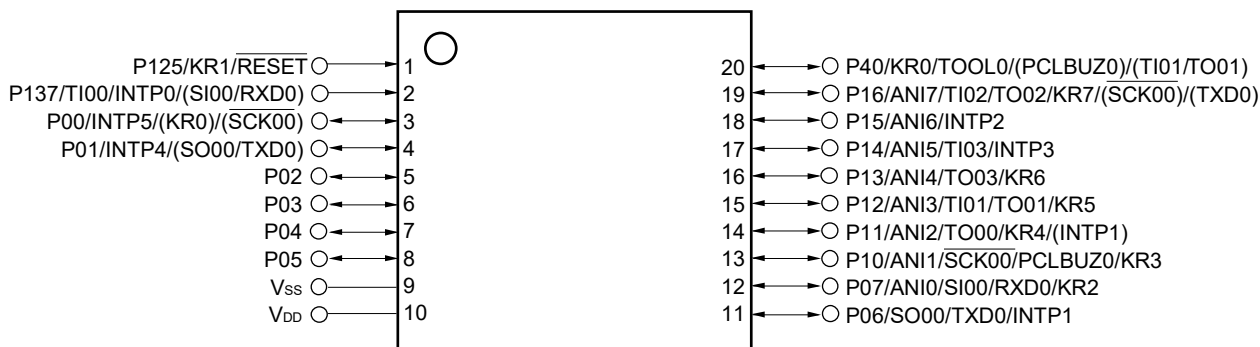


- Remarks 1.** For pin identification, see 1.4 Pin Identification.
- 2.** Functions in parentheses in the above figure can be assigned via settings in the peripheral I/O redirection register (PIOR). See Figure 4-7 Format of Peripheral I/O Redirection Register (PIOR).

1.3.2 R7F0C808 and R7F0C809 products

- 20-pin plastic SSOP (4.4 × 6.5 mm, 0.65 mm pitch)
- 20-pin plastic SOP (7.5 × 12.8 mm, 1.27 mm pitch)

<R>



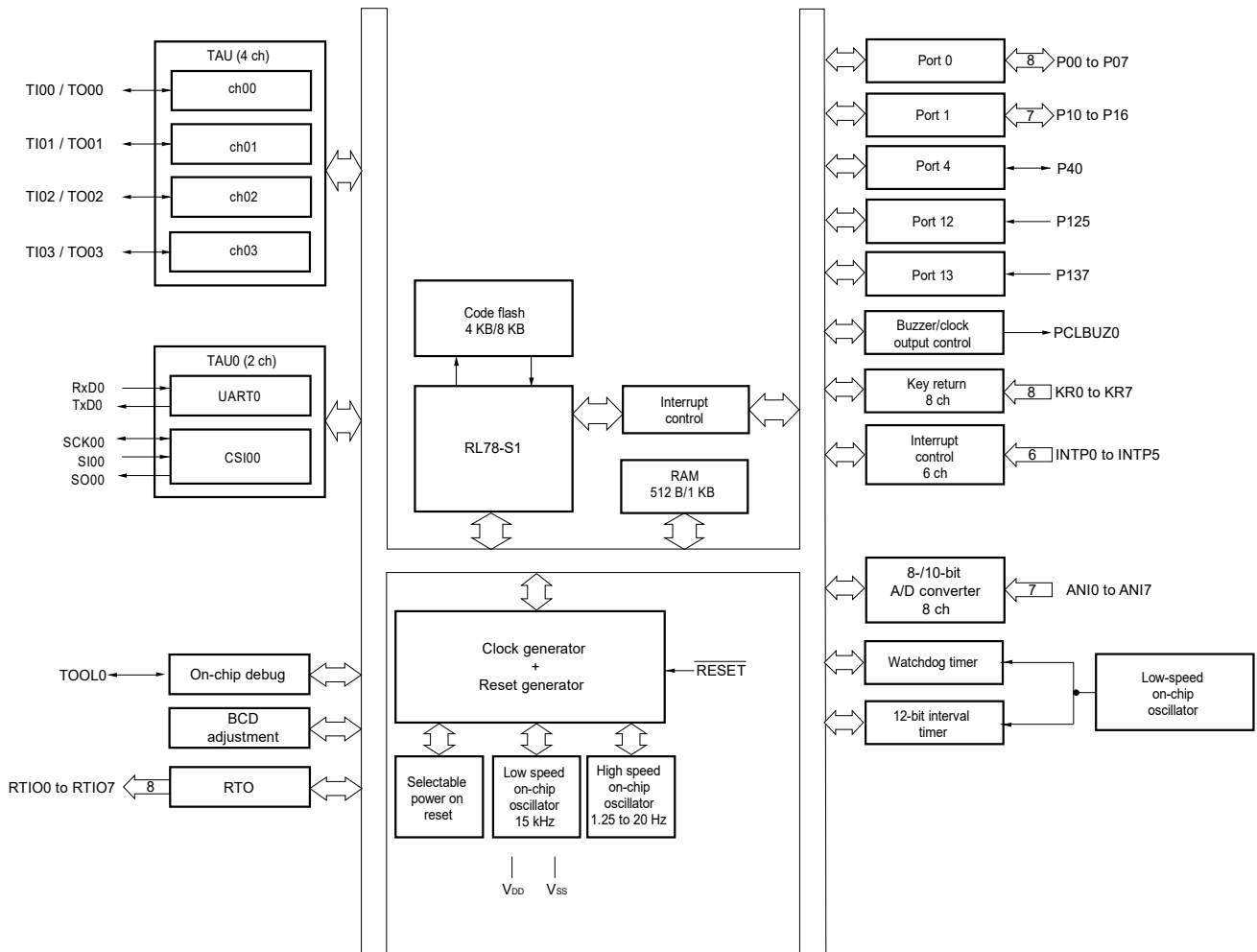
- Remarks 1.** For pin identification, see 1.4 Pin Identification.
- 2.** Functions in parentheses in the above figure can be assigned via settings in the peripheral I/O redirection register (PIOR). See Figure 4-7 Format of Peripheral I/O Redirection Register (PIOR).

1.4 Pin Identification

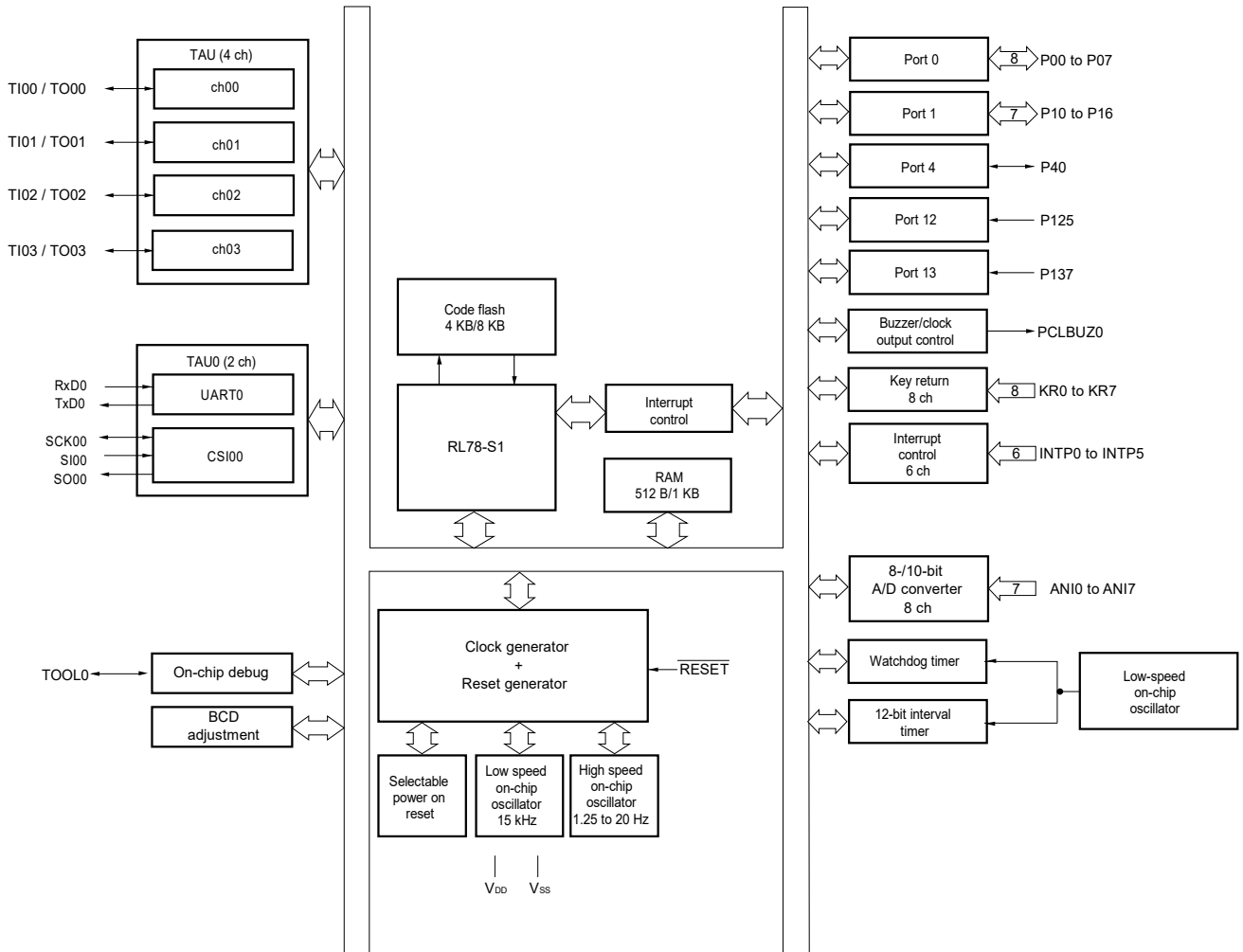
ANI0 to ANI7	: Analog input
INTP0 to INTP5	: External interrupt input
KR0 to KR7	: Key return
P00 to P07	: Port 0
P10 to P16	: Port 1
P40	: Port 4
P125	: Port 12
P137	: Port 13
PCLBUZ0	: Programmable clock output/buzzer output
$\overline{\text{RESET}}$: Reset
RTIO00 to RTIO07	: Real-time output
RxD0	: Receive data
SCK00	: Serial clock input/output
SI00	: Serial data input
SO00	: Serial data output
TI00 to TI03	: Timer input
TO00 to TO03	: Timer output
TOOL0	: Data input/output for tool
TxD0	: Transmit data
ANI0 to ANI7	: Analog input
V _{DD}	: Power supply
V _{SS}	: Ground

1.5 Block Diagram

1.5.1 R7F0C806 and R7F0C807 products



1.5.2 R7F0C808 and R7F0C809 products



1.6 Outline of Functions

This outline describes the function at the time when Peripheral I/O redirection register (PIOR) is set to 00H.

(1/2)

<R>

Item		20-pin			
		R7F0C806, R7F0C807 Products		R7F0C808, R7F0C809 Products	
		R7F0C80662ESP R7F0C80662ESN	R7F0C80762ESP R7F0C80762ESN	R7F0C80862ESP R7F0C80862ESN	R7F0C80962ESP R7F0C80962ESN
Code flash memory		4 KB	8 KB	4 KB	8 KB
RAM		512 B	1 KB	512 B	1 KB
Main system clock	High-speed on-chip oscillator clock	<ul style="list-style-type: none"> 1.25 to 20 MHz ($V_{DD} = 2.7$ to 5.5 V) 1.25 to 5 MHz ($V_{DD} = 2.4$ to 5.5 V^{Note 1}) 			
Low-speed on-chip oscillator clock		15 kHz (TYP.)			
General-purpose register		8-bit register × 8			
Minimum instruction execution time		0.05 μs (20 MHz operation)			
Instruction set		<ul style="list-style-type: none"> Data transfer (8 bits) Adder and subtractor/logical operation (8 bits) Multiplication (8 bits × 8 bits) Rotate, barrel shift, and bit manipulation (set, reset, test, and Boolean operation), etc. 			
I/O port	Total	18			
	CMOS I/O	16 (N-ch open-drain output (V_{DD} tolerance): 14) P-ch open-drain output (high current pin): 6			
	CMOS input	2			
Timer	16-bit timer	4 channels			
	Watchdog timer	1 channel			
	12-bit interval timer	1 channel			
	Timer output	4 channels (PWM outputs: 3 ^{Note 2})			
Real-time output		8 channels		-	
Clock output/buzzer output		1			
		2.44 kHz to 10 MHz: (Peripheral hardware clock: $f_{MAIN} = 20$ MHz operation)			
8-/10-bit resolution A/D converter		8 channels			
Serial interface		CSI: 1 channel, UART: 1 channel			
Vectored interrupt sources	Internal	12			
	External	7			
Key interrupt		8			

- Notes**
- Use this product within the voltage range from 2.57 to 5.5 V because the detection voltage (V_{SPOR}) of the selectable power-on-reset (SPOR) circuit should also be considered.
 - The number of outputs varies, depending on the setting of channels in use and the number of the master (see **6.9.4 Operation as multiple PWM output function**).

(2/2)

<R>

Item	20-pin			
	R7F0C806, R7F0C807 Products		R7F0C808, R7F0C809 Products	
	R7F0C80662ESP R7F0C80662ESN	R7F0C80762ESP R7F0C80762ESN	R7F0C80862ESP R7F0C80862ESN	R7F0C80962ESP R7F0C80962ESN
Reset	<ul style="list-style-type: none"> • Reset by RESET pin • Internal reset by watchdog timer • Internal reset by selectable power-on-reset • Internal reset by illegal instruction execution^{Note 1} • Internal reset by data retention lower limit voltage 			
Selectable power-on-reset circuit	<ul style="list-style-type: none"> • Detection voltage Rising edge (V_{SPOR}): 2.57 V/2.90 V/4.28 V (TYP.) Falling edge (V_{SPDR}): 2.40 V/2.70 V/4.00 V (min.) 			
On-chip debug function	Provided			
Power supply voltage	$V_{DD} = 2.4$ to 5.5 V ^{Note 2}			
Operating ambient temperature	$T_A = -40$ to $+85^\circ\text{C}$			

- Notes**
1. The illegal instruction is generated when instruction code FFH is executed.
Reset by the illegal instruction execution not issued by emulation with the on-chip debug emulator.
 2. Use this product within the voltage range from 2.57 to 5.5 V because the detection voltage (V_{SPOR}) of the selectable power-on-reset (SPOR) circuit should also be considered.

CHAPTER 2 PIN FUNCTIONS

2.1 Port Functions

The input or output, buffer, and pull-up resistor settings are also valid for the alternate functions.

2.1.1 R7F0C806 and R7F0C807 products

Function Name	Pin Type	I/O	After Reset Release	Alternate Function	Function
P00	7-1-1	I/O	Input port	INTP5/RTIO00	Port 0. 8-bit I/O port. Input/output can be specified in 1-bit units. Use of an on-chip pull-up resistor can be specified by a software setting at input port. Output of P06 can be set to N-ch open-drain output (V_{DD} tolerance). P07 can be set to analog input ^{Note} .
P01				INTP4/RTIO01	
P02				RTIO02	
P03				RTIO03	
P04				RTIO04	
P05				RTIO05	
P06				7-1-2	
P07	7-3-1		Analog input	ANI0/SI00/RXD0/KR2/RTIO07	
P10	7-3-2	I/O	Analog input	ANI1/SCK00/PCLBUZ0/KR3/(SO00)/(TXD0)	Port 1. 7-bit I/O port. Input/output can be specified in 1-bit units. Use of an on-chip pull-up resistor can be specified by a software setting at input port. P11 to P16 can be set to analog input ^{Note} .
P11				ANI2/TO00/KR4/(INTP1)	
P12	7-3-1			ANI3/TI01/TO01/KR5	
P13		ANI4/TO03/KR6			
P14		ANI5/TI03/INTP3			
P15		ANI6/INTP2/(SI00)/(RXD0)			
P16		TI02/TO02/KR7/(SCK00)/ANI7			
P40	7-1-1	I/O	Input port	KR0/TOOL0/(PCLBUZ0)/(TI01/TO01)	Port 4 2-bit I/O port. Input/output can be specified in 1-bit units. Use of an on-chip pull-up resistor can be specified by a software setting at input port.
P125	3-1-1	Input	Input port	KR1/RESET	Port 12 3-bit input port. For P125, use of an on-chip pull-up resistor can be specified by a software setting. P125 is also used for the input pin for external reset (RESET). To use the pin for external reset, set the PORTSELB bit in the option byte (000C1H) to 1.
P137	2-1-2	Input	Input port	TI00/INTP0	Port 13 1-bit input only port.

Note Setting digital or analog to each pin can be done in the port mode control register 0 (PMC0) (can be set in 1-bit units).

Remark Functions in parentheses in the above figure can be assigned via settings in the peripheral I/O redirection register (PIOR). See **Figure 4-7 Format of Peripheral I/O Redirection Register (PIOR)**.

2.1.2 R7F0C808 and R7F0C809 products

Function Name	Pin Type	I/O	After Reset Release	Alternate Function	Function
P00	7-1-9	I/O	Input port	INTP5/(KR0)/(SCK00)	Port 0. 8-bit I/O port. Input/output can be specified in 1-bit units. Use of an on-chip pull-up resistor can be specified by a software setting at input port. Output of P06 and P07 can be set to N-ch open-drain output (V _{DD} tolerance). Output of P00 to P05 can be set to P-ch open-drain output (V _{DD} tolerance). P07 can be set to analog input ^{Note} .
P01				INTP4/(SO00)/(TXD0)	
P02				–	
P03				–	
P04				–	
P05				–	
P06	19-1-1			SO00/TXD0/INTP1	
P07	19-3-1		Analog input	ANI0/SI00/RXD0/KR2	
P10	19-3-1	I/O	Analog input	ANI1/SCK00/PCLBUZ0/ KR3	Port 1. 7-bit I/O port. Input/output can be specified in 1-bit units. Use of an on-chip pull-up resistor can be specified by a software setting at input port. Output of P10 to P15 can be set to N-ch open-drain output (V _{DD} tolerance). P11 to P16 can be set to analog input ^{Note} .
P11				ANI2/TO00/KR4/(INTP1)	
P12				ANI3/TI01/TO01/KR5	
P13				ANI4/TO03/KR6	
P14				ANI5/TI03/INTP3	
P15				ANI6/INTP2/SI00/RXD0	
P16	7-3-1			TI02/TO02/KR7/(TXD0)/ (SCK00)/ANI7	
P40	7-1-1	I/O	Input port	KR0/TOOL0/(PCLBUZ0)/ (TI01/TO01)	Port 4 2-bit I/O port. Input/output can be specified in 1-bit units. Use of an on-chip pull-up resistor can be specified by a software setting at input port.
P125	3-1-1	Input	Input port	KR1/ $\overline{\text{RESET}}$	Port 12 3-bit input port. For P125, use of an on-chip pull-up resistor can be specified by a software setting. P125 is also used for the input pin for external reset ($\overline{\text{RESET}}$). To use the pin for external reset, set the PORTSELB bit in the option byte (000C1H) to 1.
P137	2-1-2	Input	Input port	TI00/INTP0/(SI000)/(RXD0)	Port 13 1-bit input only port.

Note Setting digital or analog to each pin can be done in the port mode control register 0 (PMC0) (can be set in 1-bit units).

Remark Functions in parentheses in the above figure can be assigned via settings in the peripheral I/O redirection register (PIOR). See **Figure 4-7 Format of Peripheral I/O Redirection Register (PIOR)**.

2.2 Functions Other than Port Pins

2.2.1 Functions for each product

Function Name	R7F0C806 R7F0C807	R7F0C808 R7F0C809
ANI0	√	√
ANI1	√	√
ANI2	√	√
ANI3	√	√
ANI4	√	√
ANI5	√	√
ANI6	√	√
ANI7	√	√
INTP0	√	√
INTP1	√	√
INTP2	√	√
INTP3	√	√
INTP4	√	√
INTP5	√	√
KR0	√	√
KR1	√	√
KR2	√	√
KR3	√	√
KR4	√	√
KR5	√	√
KR6	√	√
KR7	√	√
PCLBUZ0	√	√
TOOL0	√	√
RESET	√	√
V _{DD}	√	√
V _{SS}	√	√

Function Name	R7F0C806 R7F0C807	R7F0C808 R7F0C809
RXD0	√	√
TXD0	√	√
SCK00	√	√
SI00	√	√
SO00	√	√
TI00	√	√
TO00	√	√
TI01	√	√
TO01	√	√
TI02	√	√
TO02	√	√
TI03	√	√
TO03	√	√
RTIO00	√	–
RTIO01	√	–
RTIO02	√	–
RTIO03	√	–
RTIO04	√	–
RTIO05	√	–
RTIO06	√	–
RTIO07	√	–

2.2.2 Description of functions

Function Name	I/O	Functions
ANI0 to ANI7	Input	Analog input pins of A/D converter (See Figure 10-21 Analog Input Pin Connection.)
INTP0 to INTP5	Input	External interrupt request input Specified available edge: Rising edge, falling edge, or both rising and falling edges
KR0 to KR7	Input	Key interrupt input Specified available edge: Rising edge or falling edge
PCLBUZ0	Output	Clock/buzzer output
$\overline{\text{RESET}}$	Input	This is the active-low external reset input pin. When the external reset pin is not used, connect this pin directly or via a resistor to V_{DD} .
RXD0	Input	Serial data input pin of serial interface UART0
TXD0	Output	Serial data output pin of serial interface UART0
SCK00	I/O	Serial clock I/O pin of serial interface CSI00
SI00	Input	Serial data input pin of serial interface CSI00
SO00	Output	Serial data output pin of serial interface CSI00
TI00 to TI03	Input	Inputting an external count clock/capture trigger to 16-bit timers 00 to 03
TO00 to TO03	Output	Timer output pins of 16-bit timers 00 to 03
RTIO00 to RTIO07	Output	Real-time output port
V_{DD}	–	Positive power supply
V_{SS}	–	Ground potential
TOOL0	I/O	Data I/O pin for a flash memory programmer/debugger

Caution After reset release, the relationships between P40/TOOL0 and the operating mode are as follows.

Table 2-1. Relationships Between P40/TOOL0 and Operation Mode After Reset Release

P40/TOOL0	Operating Mode
V_{DD}	Normal operation mode
0 V	Flash memory programming mode

For details, see **19.4.2 Flash memory programming mode.**

Remark Use bypass capacitors (about 0.1 μF) as noise and latch up countermeasures with relatively thick wires at the shortest distance to V_{DD} to V_{SS} lines.

2.3 Connection of Unused Pins

Table 2-2 shows the connections of unused pins.

Remark The pins mounted depend on the product. See **1.3 Pin Configuration (Top View)** and **2.1 Port Functions**.

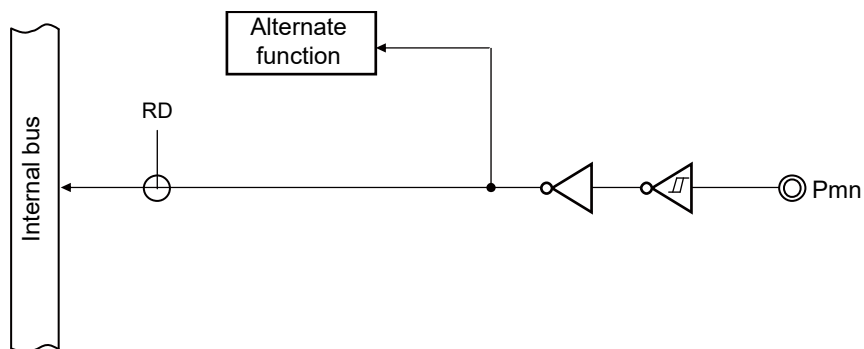
Table 2-2. Connection of Unused Pins

Pin Name	I/O	Recommended Connection of Unused Pins
P00 to P07	I/O	Input: Independently connect to V_{DD} or V_{SS} via a resistor. Output: Leave open.
P10 to P16		Input: Independently connect to V_{DD} or V_{SS} via a resistor. Output: Leave open.
P40/TOOL0		Input: Independently connect to V_{DD} via a resistor. Output: Leave open.
P125/ $\overline{\text{RESET}}$	Input	Leave open, or connect to V_{DD} while $\text{PORTSELB} = 1$.
P137	Input	Independently connect to V_{DD} or V_{SS} via a resistor.

2.4 Block Diagrams of Pins

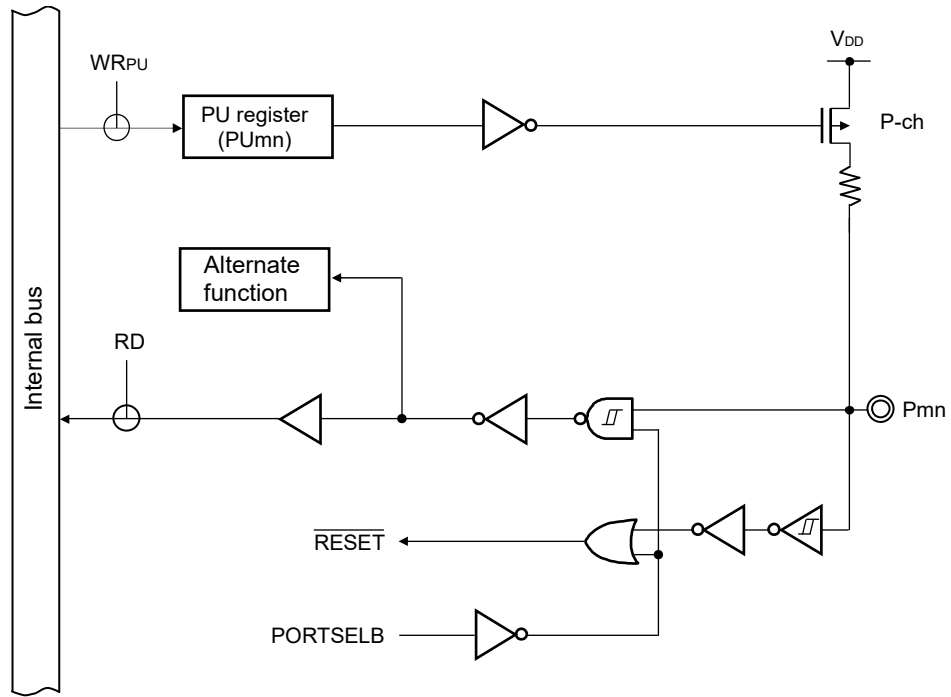
Figures 2-1 to 2-7 show the block diagrams of the pins described in 2.1.1 R7F0C806 and R7F0C807 products and 2.1.2 R7F0C808 and R7F0C809 products.

Figure 2-1. Pin Block Diagram for Pin Type 2-1-2



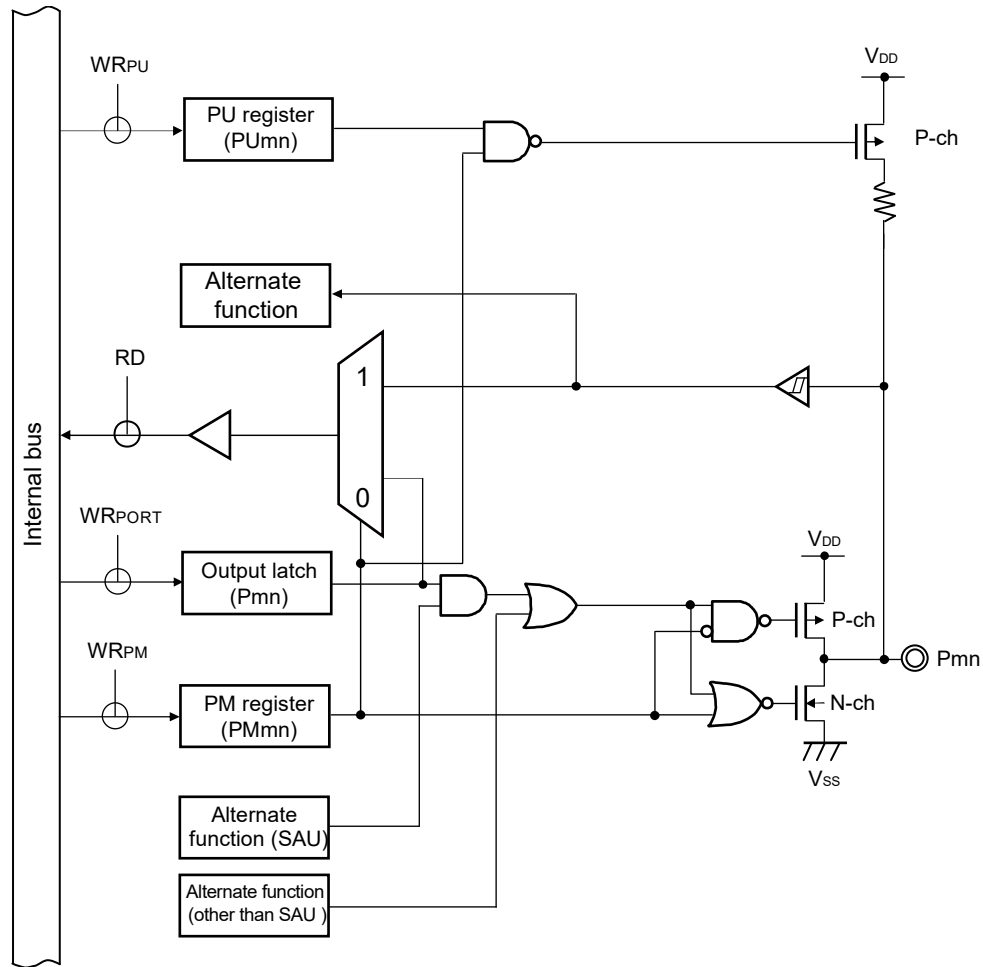
Remark For alternate functions, see 2.1 Port Functions.

Figure 2-2. Pin Block Diagram for Pin Type 3-1-1



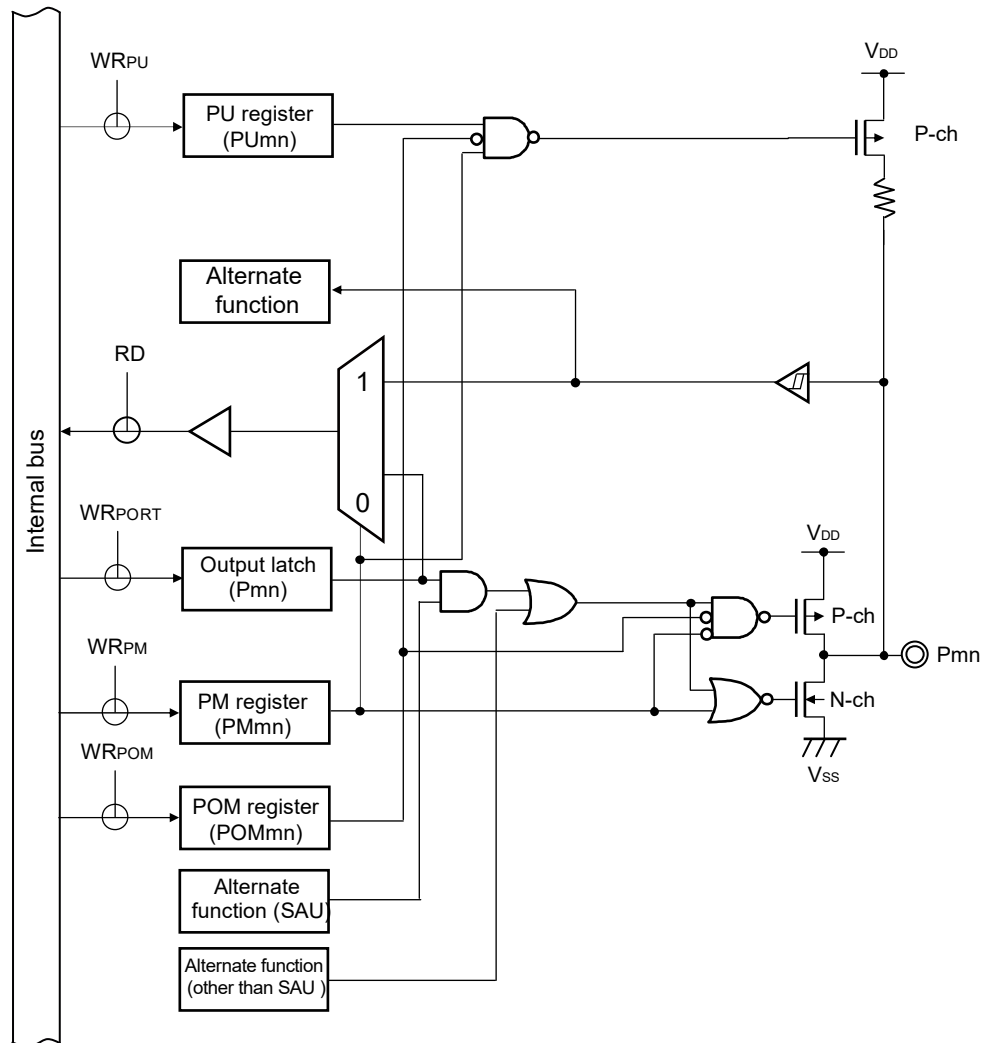
Remark For alternate functions, see 2.1 Port Functions.

Figure 2-3. Pin Block Diagram for Pin Type 7-1-1



- Remarks 1.** For alternate functions, see 2.1 Port Functions.
2. SAU: Serial array unit

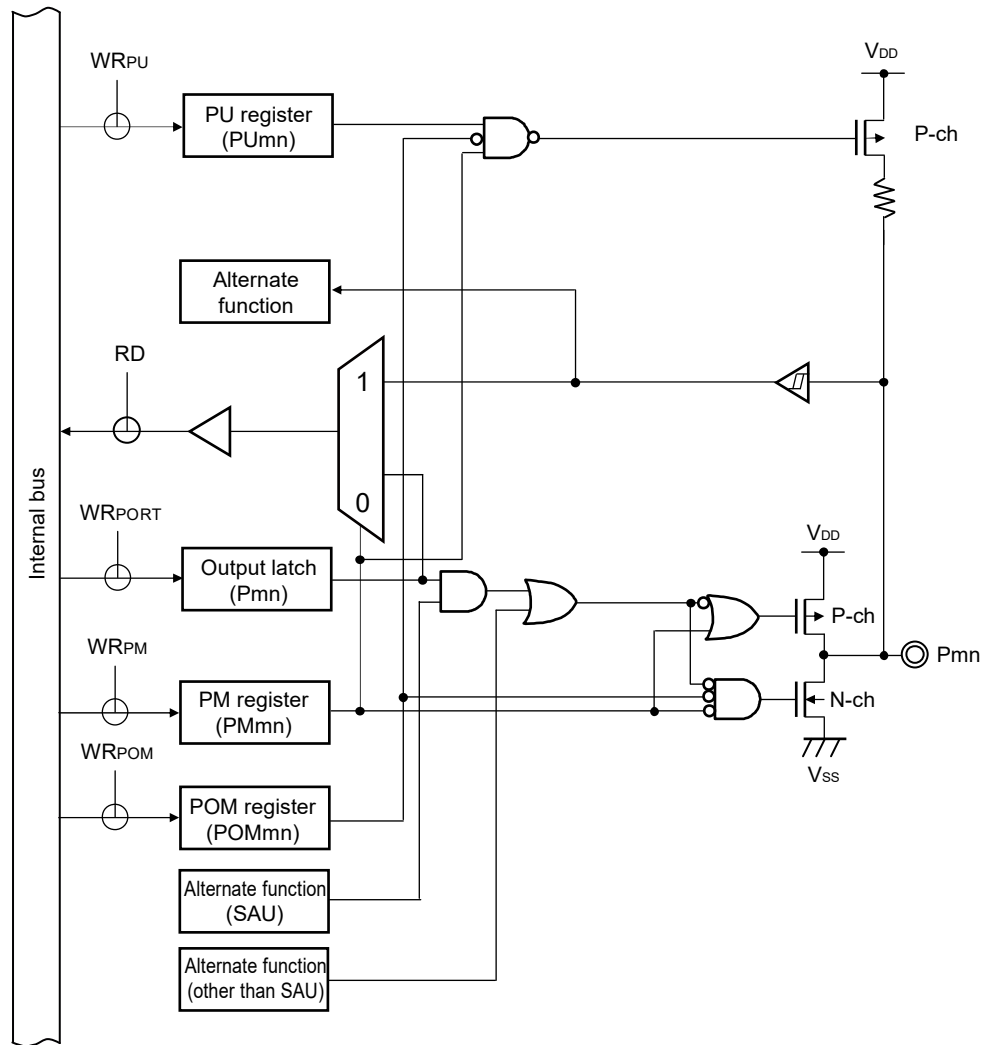
Figure 2-4. Pin Block Diagram for Pin Type 7-1-2



Caution The input buffer is enabled even if the type 7-1-2 pin is operating as an output when the N-ch open drain output mode is selected by the corresponding bit in the port output mode register (POMx). This may lead to a through current flowing through the type 7-1-2 pin when the voltage level on this pin is intermediate.

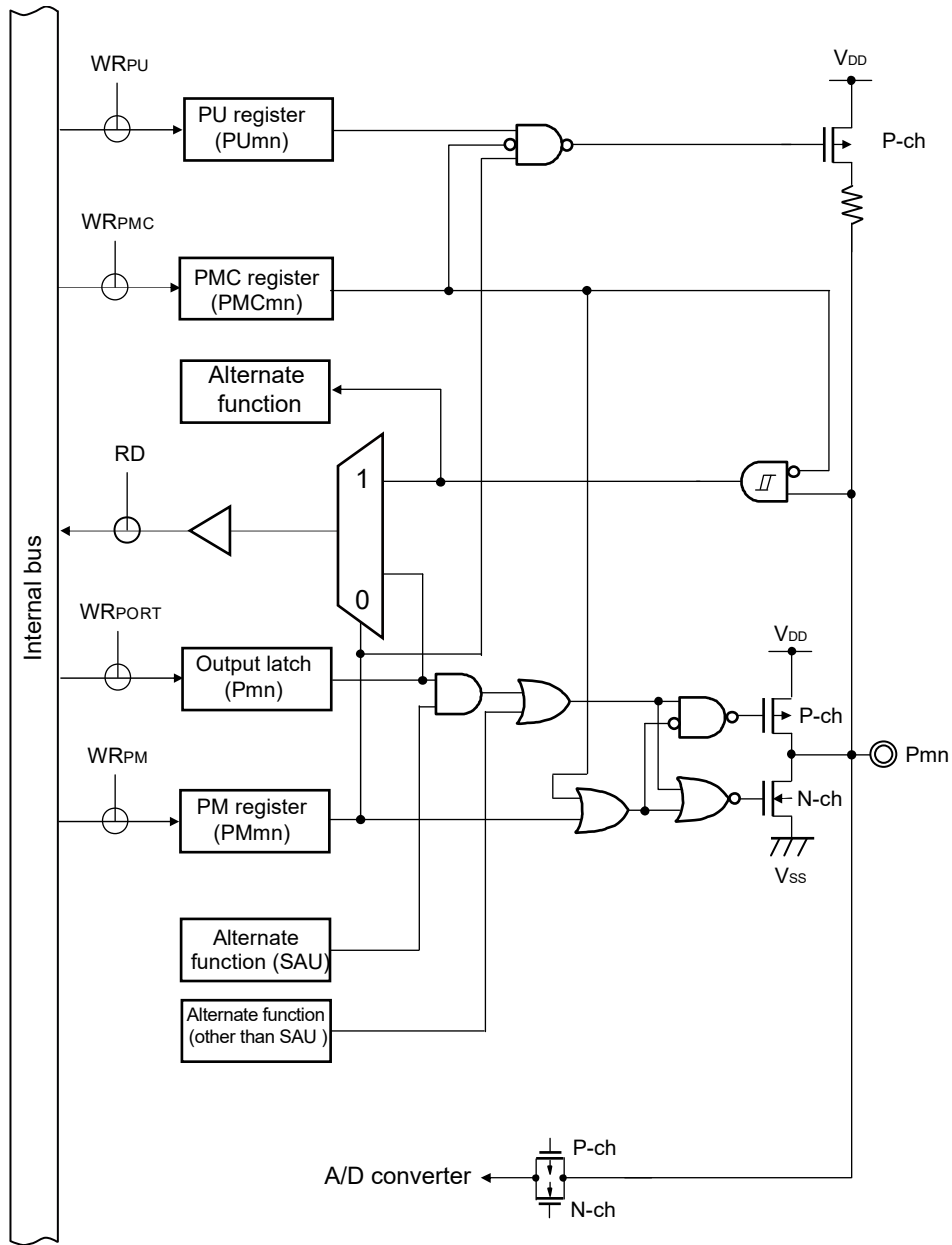
Remarks 1. For alternate functions, see 2.1 Port Functions.
2. SAU: Serial array unit

Figure 2-5. Pin Block Diagram for Pin Type 7-1-9



- Remarks 1. For alternate functions, see 2.1 Port Functions.
- 2. SAU: Serial array unit

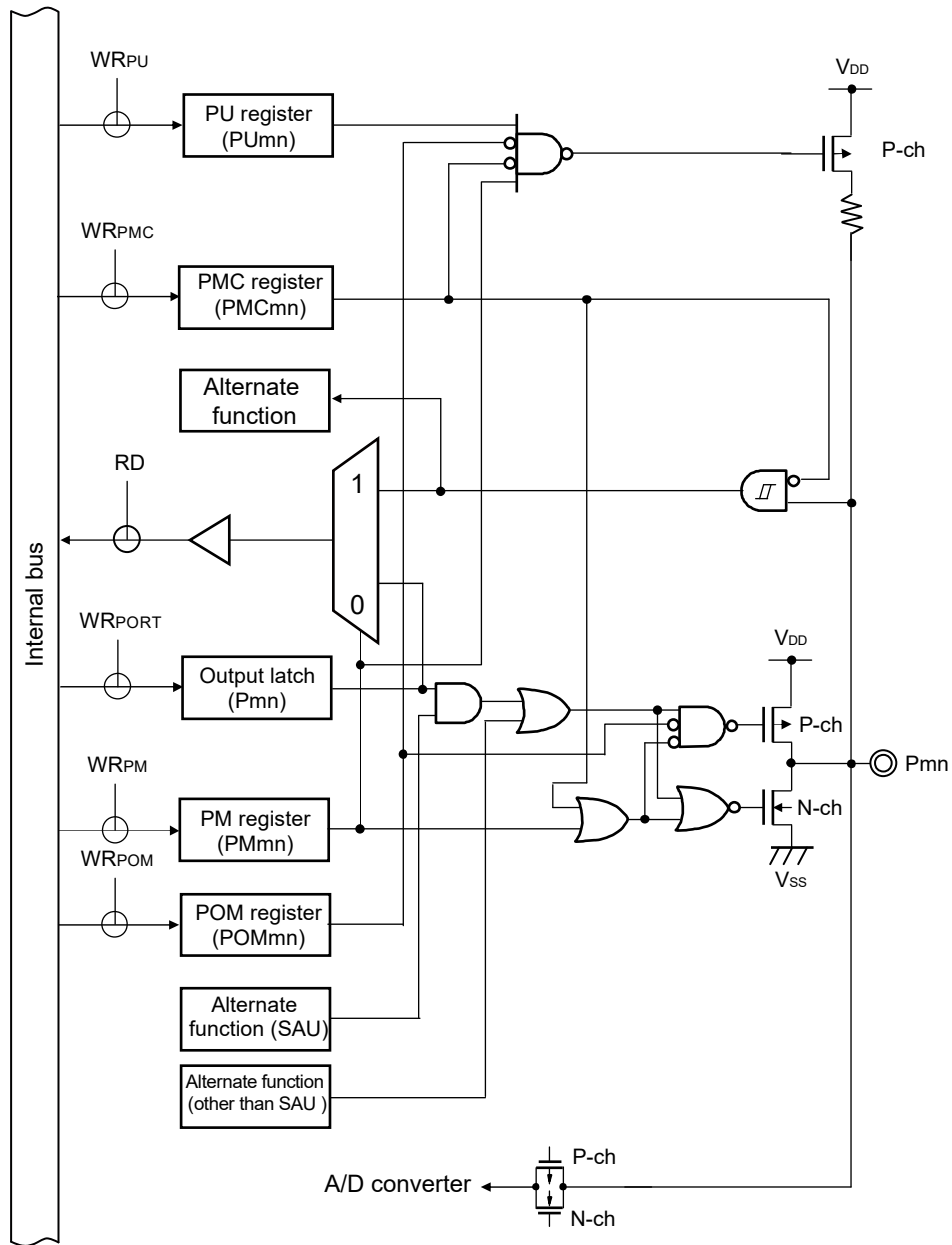
Figure 2-6. Pin Block Diagram for Pin Type 7-3-1



Remarks 1. For alternate functions, see 2.1 Port Functions.

2. SAU: Serial array unit

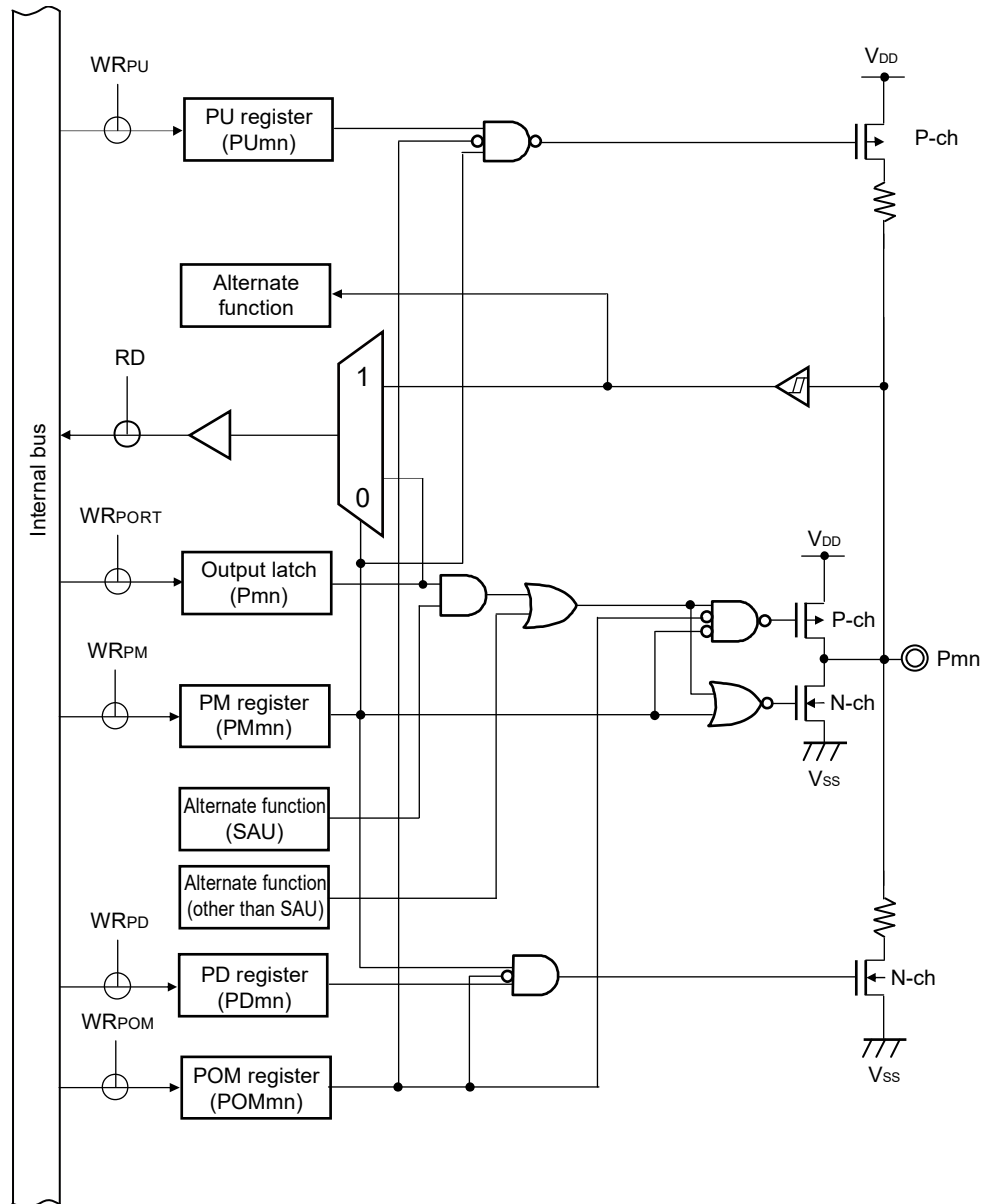
Figure 2-7. Pin Block Diagram for Pin Type 7-3-2



Remarks 1. For alternate functions, see 2.1 Port Functions.

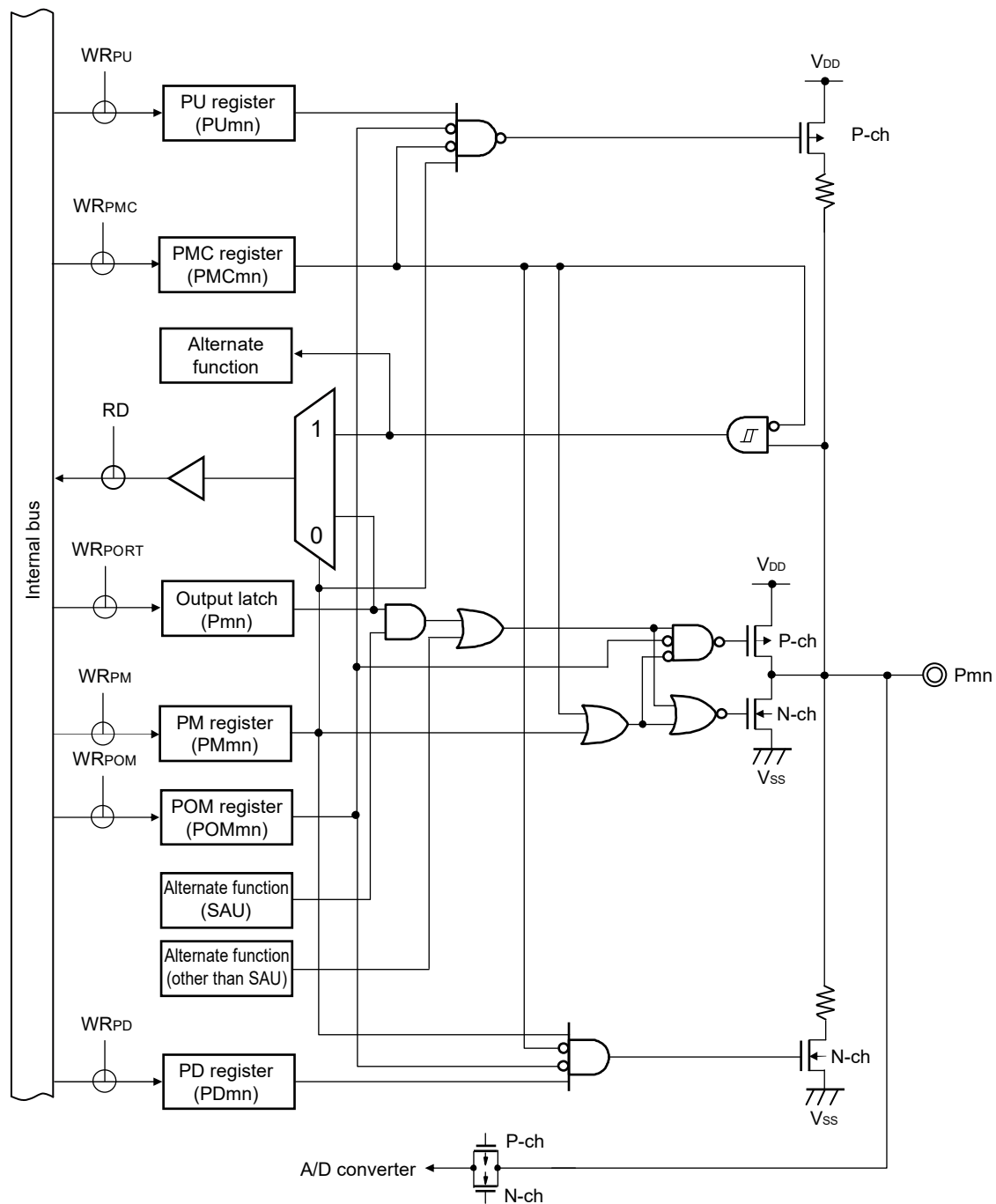
2. SAU: Serial array unit

Figure 2-8. Pin Block Diagram for Pin Type 19-1-1



- Remarks**
1. For alternate functions, see 2.1 Port Functions.
 2. SAU: Serial array unit

Figure 2-9. Pin Block Diagram for Pin Type 19-3-1



- Remarks 1.** For alternate functions, see 2.1 Port Functions.
2. SAU: Serial array unit

CHAPTER 3 CPU ARCHITECTURE

R7F0C806-809 have the RL78-S1 core.

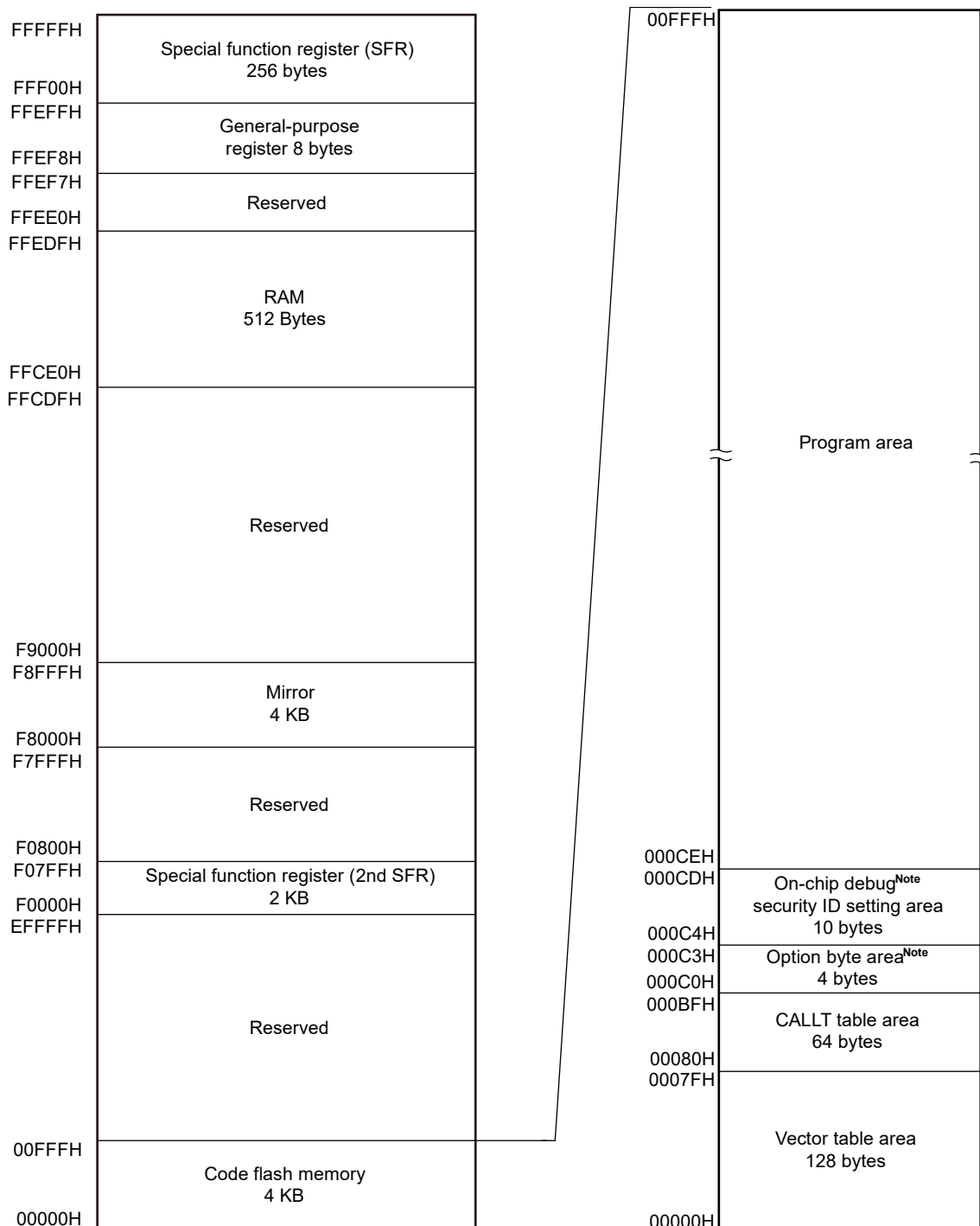
The features of the RL78-S1 core are as follows.

- CISC architecture with 3-stage pipeline
- Address space: 1 MB
- General-purpose register: 8-bit register × 8
- Instructions are common to the RL78-S2 core of RL78/G13 or RL78/G1A. Note, however, the following instructions require a different number of clock cycles. For details, see **CHAPTER 22 INSTRUCTION SET**. For the difference of each CPU core function, refer to **RL78 Family Software User's Manual (R01US0015E)**.
 - 16-bit data transfer (MOVW, XCHW, ONEW, CLRW)
 - 16-bit operation (ADDW, SUBW, CMPW)
 - Multiply (MULU)
 - 16-bit increment/decrement (INCW, DECW)
 - 16-bit shift (SHRW, SHLW, SARW)
 - 16-bit rotate (ROLWC)
 - Call/return (CALL, CALLT, BRK, RET, RETI, RETB)
 - Stack manipulate (PUSH, POP, MOVW, ADDW, SUBW)

3.1 Memory Space

Products in the R7F0C806-809 can access a 1 MB address space. Figures 3-1 and 3-2 show the memory maps.

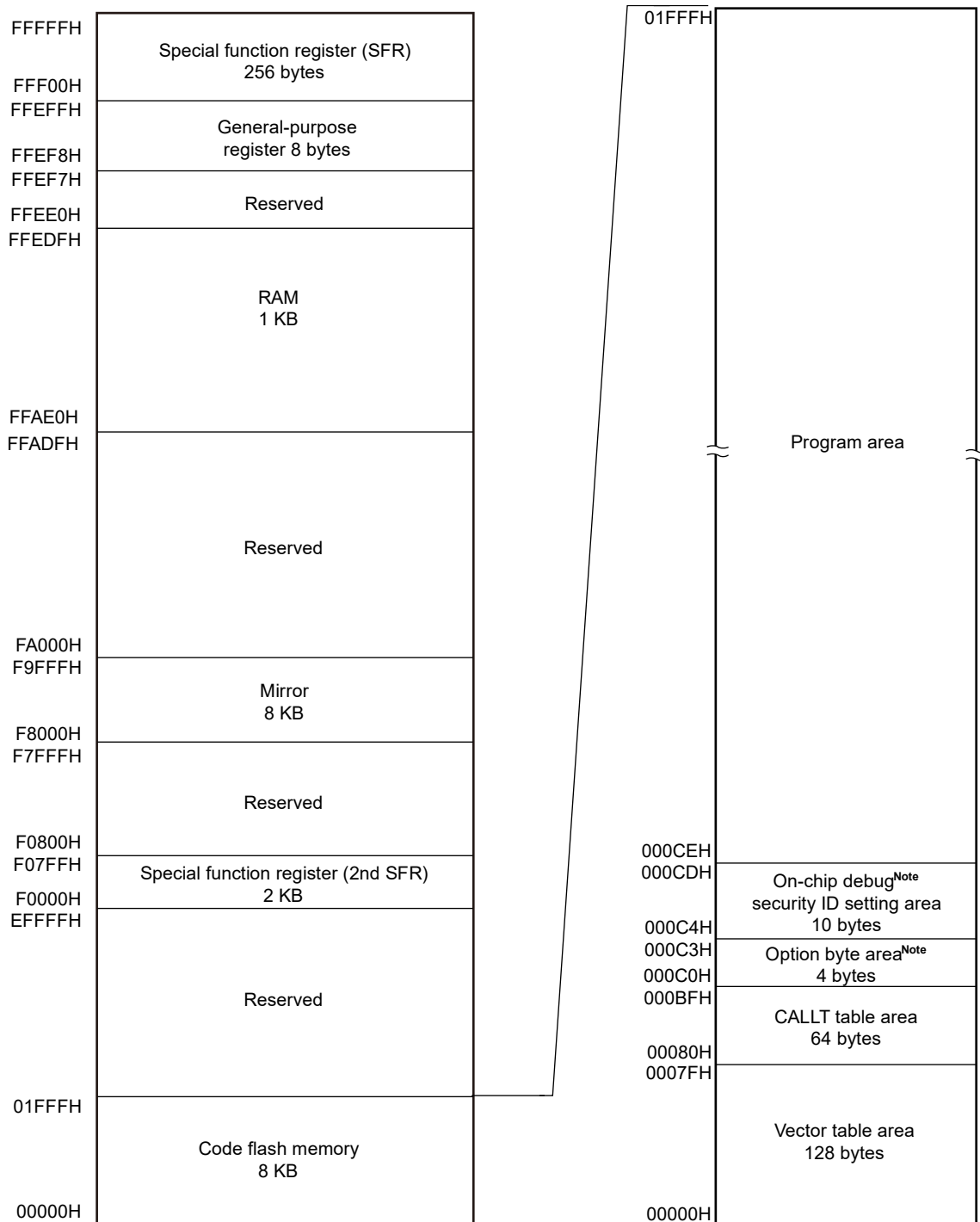
Figure 3-1. Memory Map for the R7F0C806 and R7F0C808



Note Set the option bytes to 000C0H to 000C3H, and the on-chip debug security IDs to 000C4H to 000CDH.

Caution Access to the reserved area is prohibited.

Figure 3-2. Memory Map for the R7F0C807 and R7F0C809



Note Set the option bytes to 000C0H to 000C3H, and the on-chip debug security IDs to 000C4H to 000CDH.

Caution Access to the reserved area is prohibited.

3.1.1 Internal program memory space

The internal program memory space stores the program and table data. The R7F0C806-809 products incorporate internal ROM (flash memory), as shown below.

Table 3-1. Internal ROM Capacity

Part Number	Internal ROM	
	Structure	Capacity
R7F0C806, 808	Flash memory	4096 × 8 bits (00000H to 00FFFH)
R7F0C807, 809		8192 × 8 bits (00000H to 01FFFH)

The internal program address space is divided into the following areas.

(1) Vector table area

The 128-byte area of 00000H to 0007FH is reserved as a vector table area. The program start addresses for branch upon reset or generation of each interrupt request are stored in the vector table area. Furthermore, the interrupt jump addresses are assigned to a 64 KB address area of 00000H to 0FFFFH, because the vector code is 2 bytes.

Of 16-bit addresses, the lower 8 bits are stored at even addresses and the higher 8 bits are stored at odd addresses.

Table 3-2. Vector Table

Vector Table Address	Interrupt Source	R7F0C806, R7F0C807	R7F0C808, R7F0C809
00000H	RESET, SPOR, WDT, TRAP	√	√
00004H	INTWDTI	√	√
00006H	INTP0	√	√
00008H	INTP1	√	√
0000AH	INTST0, INTCSI00	√	√
0000CH	INTSR0	√	√
0000EH	INTSRE0	√	√
00010H	INTTM01H	√	√
00012H	INTTM00	√	√
00014H	INTTM01	√	√
00016H	INTAD	√	√
00018H	INTKR	√	√
0001AH	INTP2	√	√
0001CH	INTP3	√	√
0001EH	INTTM03H	√	√
00022H	INTTM02	√	√
00024H	INTTM03	√	√
00026H	INTIT	√	√
00028H	INTP4	√	√
0002AH	INTP5	√	√
0007EH	BRK	√	√

(2) CALLT instruction table area

The 64-byte area of 00080H to 000BFH can store the subroutine entry address of a 2-byte call instruction (CALLT). Set the subroutine entry address to a value in a range of 00000H to 0FFFFH (because an address code is 2 bytes).

(3) Option byte area

The 4-byte area of 000C0H to 000C3H can be used as an option byte area. For details, see **CHAPTER 18 OPTION BYTE**.

(4) On-chip debug security ID setting area

The 10-byte areas of 000C4H to 000CDH and 010C4H to 010CDH can be used as an on-chip debug security ID setting area. For details, see **CHAPTER 20 ON-CHIP DEBUG FUNCTION**.

3.1.2 Mirror area

The products with 4/8 KB flash memory mirror the code flash area of 00000H to 00FFFH/01FFFH to the area of F8000H to F8FFFH/F9FFFH.

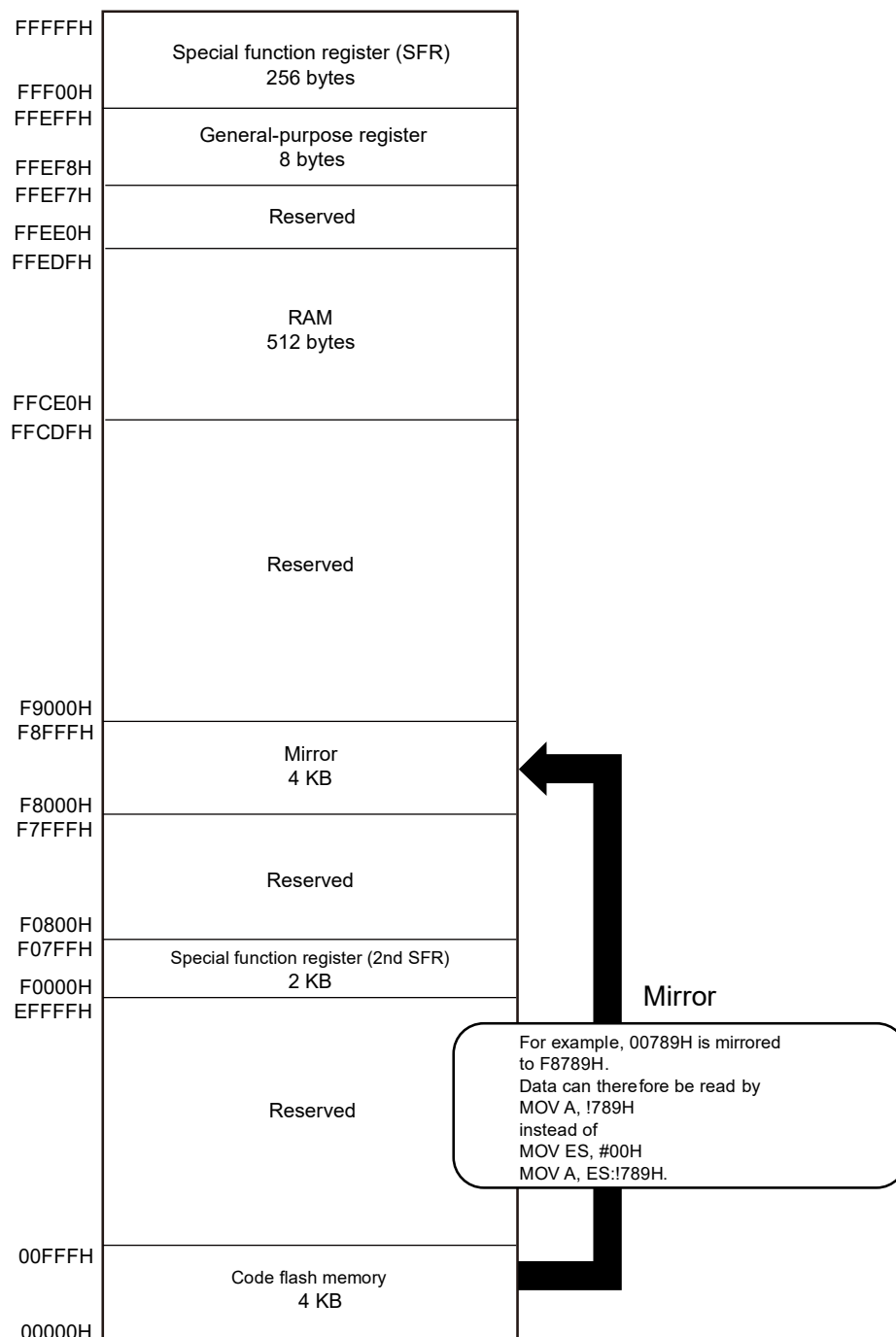
By reading data from F8000H to F8FFFH/F9FFFH, an instruction that does not have the ES register as an operand can be used, and thus the contents of the code flash can be read with the shorter code.

See **3.1 Memory Space** for the mirror area of each product.

The mirror area can only be read and no instruction can be fetched from this area.

The following shows examples.

Example R7F0C80662ESP (Flash memory: 4 KB)



3.1.3 Internal data memory space

The R7F0C806-809 products incorporate the following RAMs.

Table 3-3. Internal RAM Capacity

Part Number	Internal RAM
R7F0C806, R7F0C808	512 bytes (FFCE0H to FFEDFH)
R7F0C807, R7F0C809	1 KB (FFAE0H to FFEDFH)

The internal RAM can be used as a data area and a program area where instructions are fetched (it is prohibited to use the general-purpose register area for fetching instructions).

The internal RAM is used as a stack memory.

Caution It is prohibited to use the general-purpose register (FFEF8H to FFEFFH) space for fetching instructions or as a stack area.

3.1.4 Special function register (SFR) area

On-chip peripheral hardware special function registers (SFRs) are allocated in the area of FFF00H to FFFFFH (see **Table 3-4** in **3.2.4 Special function registers (SFRs)**).

Caution Do not access addresses to which SFRs are not assigned.

3.1.5 Extended special function register (2nd SFR: 2nd Special Function Register) area

On-chip peripheral hardware special function registers (2nd SFRs) are allocated in the area of F0000H to F07FFH (see **Table 3-5** in **3.2.5 Extended Special function registers (2nd SFRs: 2nd Special Function Registers)**).

SFRs other than those in the SFR area (FFF00H to FFFFFH) are allocated to this area. An instruction that accesses the extended SFR area, however, is 1 byte longer than an instruction that accesses the SFR area.

Caution Do not access addresses to which extended SFRs are not assigned.

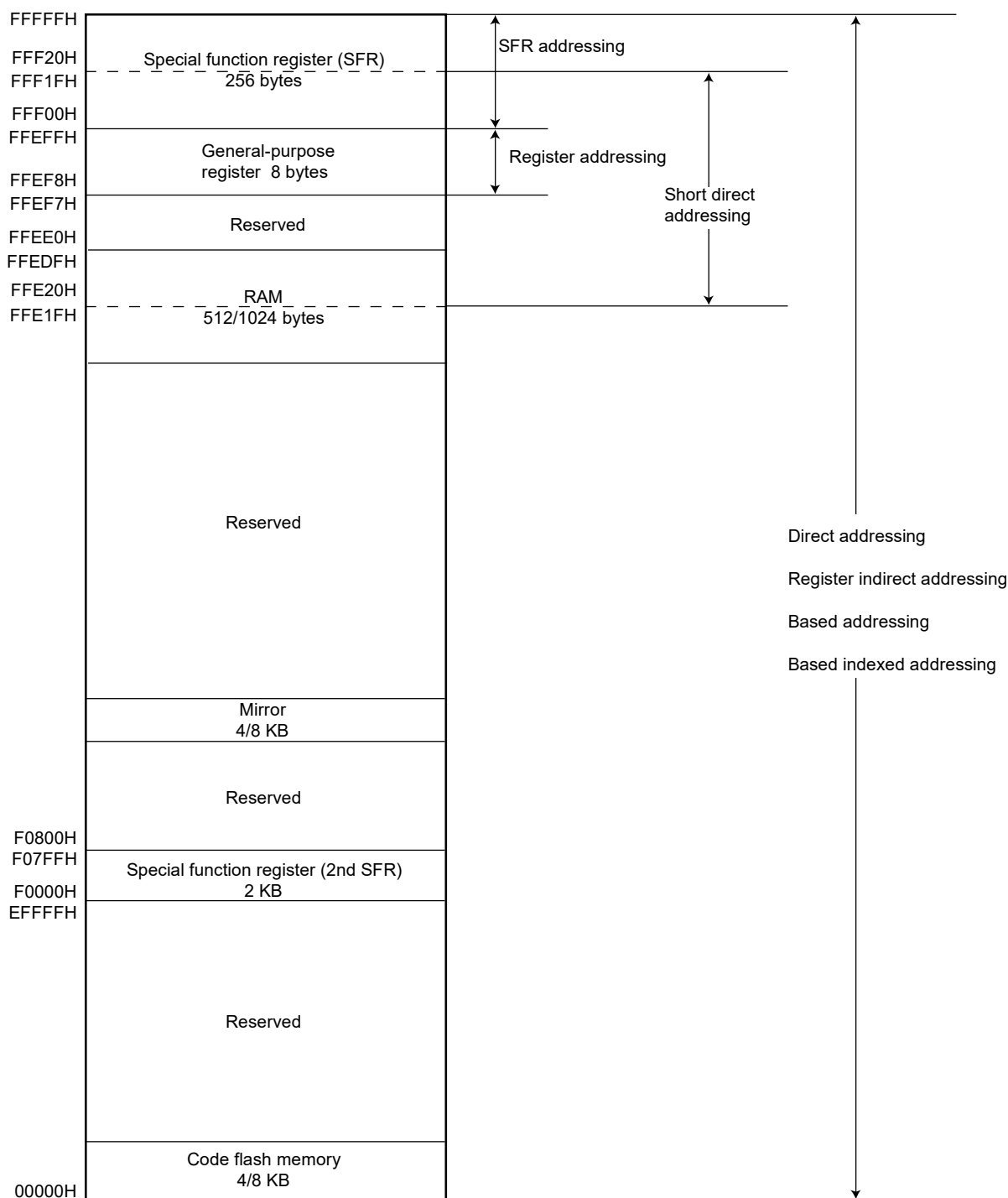
3.1.6 Data memory addressing

Addressing refers to the method of specifying the address of the instruction to be executed next or the address of the register or memory relevant to the execution of instructions.

Several addressing modes are provided for addressing the memory relevant to the execution of instructions for the R7F0C806-809, based on operability and other considerations. For areas containing data memory in particular, special addressing methods designed for the functions of the special function registers (SFR) and general-purpose registers are available for use. Figure 3-3 shows correspondence between data memory and addressing.

For details of each addressing, see **3.4 Addressing for Processing Data Addresses**.

Figure 3-3. Correspondence Between Data Memory and Addressing



3.2 Processor Registers

The R7F0C806-809 products incorporate the following processor registers.

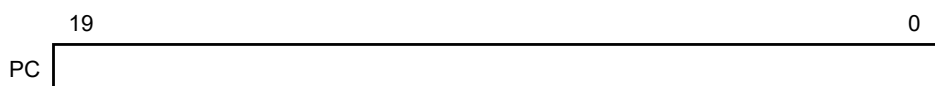
3.2.1 Control registers

The control registers control the program sequence, statuses and stack memory. The control registers consist of a program counter (PC), a program status word (PSW) and a stack pointer (SP).

(1) Program counter (PC)

The program counter is a 20-bit register that holds the address information of the next program to be executed. In normal operation, PC is automatically incremented according to the number of bytes of the instruction to be fetched. When a branch instruction is executed, immediate data and register contents are set. Reset signal generation sets the reset vector table values at addresses 0000H and 0001H to the 16 lower-order bits of the program counter. The four higher-order bits of the program counter are cleared to 0000.

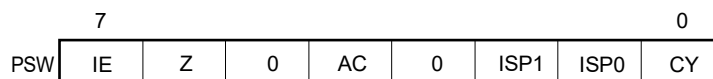
Figure 3-4. Format of Program Counter



(2) Program status word (PSW)

The program status word is an 8-bit register consisting of various flags set/reset by instruction execution. Program status word contents are stored in the stack area upon acknowledgment of a vectored interrupt request or PUSH PSW instruction execution, and are restored upon execution of the RETB, RETI and POP PSW instructions. Reset signal generation sets the PSW register to 06H.

Figure 3-5. Format of Program Status Word



(a) Interrupt enable flag (IE)

This flag controls the interrupt request acknowledge operations of the CPU. When 0, the IE flag is set to the interrupt disabled (DI) state, and all maskable interrupt requests are disabled. When 1, the IE flag is set to the interrupt enabled (EI) state, and interrupt request acknowledgment is controlled with an in-service priority flag (ISP1, ISP0), an interrupt mask flag for various interrupt sources, and a priority specification flag. The IE flag is reset (0) upon DI instruction execution or interrupt acknowledgment and is set (1) upon EI instruction execution.

(b) Zero flag (Z)

When the operation or comparison result is zero or equal, this flag is set (1). It is reset (0) in all other cases.

(c) Auxiliary carry flag (AC)

If the operation result has a carry from bit 3 or a borrow at bit 3, this flag is set (1). It is reset (0) in all other cases.

(d) In-service priority flags (ISP1, ISP0)

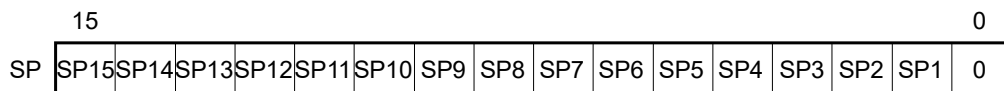
These flags manage the priority of acknowledgeable maskable vectored interrupts. Vectored interrupt requests specified lower than the value of ISP0 and ISP1 flags by the priority specification flag registers (PR00L, PR00H, PR10L, PR10H, PR01L, PR11L) (see **13.3.3 Priority specification flag registers (PR00L, PR00H, PR10L, PR10H, PR01L, PR11L)**) can not be acknowledged. Actual request acknowledgment is controlled by the interrupt enable flag (IE).

(e) Carry flag (CY)

This flag stores overflow and underflow upon add/subtract instruction execution. It stores the shift-out value upon rotate instruction execution and functions as a bit accumulator during bit operation instruction execution.

(3) Stack pointer (SP)

This is a 16-bit register to hold the start address of the memory stack area. Only the internal RAM area can be set as the stack area.

Figure 3-6. Format of Stack Pointer

In stack addressing through a stack pointer, the SP is decremented ahead of write (save) to the stack memory and is incremented after read (restored) from the stack memory.

- Cautions**
1. Since reset signal generation makes the SP contents undefined, be sure to initialize the SP before using the stack.
 2. It is prohibited to use the general-purpose register (FFEF8H to FFEFFH) space for fetching instructions or a stack area.

3.2.2 General-purpose registers

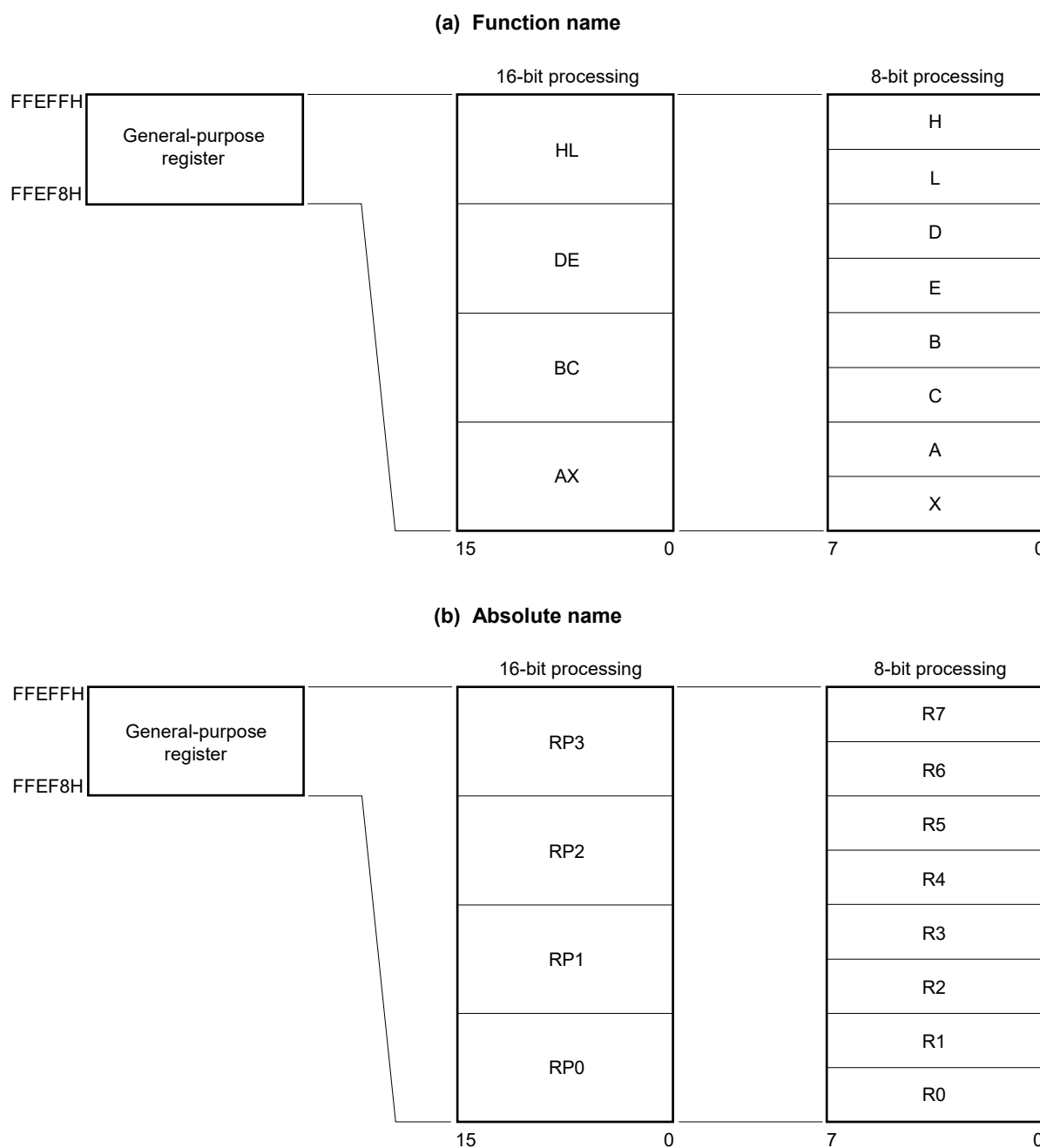
The general-purpose registers are a bank of eight 8-bit registers (X, A, C, B, E, D, L, and H) mapped to addresses (FFEF8H to FFEFFH) of the data memory.

Each register can be used as an 8-bit register, and two 8-bit registers can also be used in a pair as a 16-bit register (AX, BC, DE, and HL).

These registers can be described in terms of function names (X, A, C, B, E, D, L, H, AX, BC, DE, and HL) and absolute names (R0 to R7 and RP0 to RP3).

Caution It is prohibited to use the general-purpose register (FFEF8H to FFEFFH) space for fetching instructions or as a stack area.

Figure 3-7. Configuration of General-Purpose Registers



3.2.3 ES and CS registers

The ES register and CS register are used to specify the higher address for data access and when a branch instruction is executed (register direct addressing), respectively.

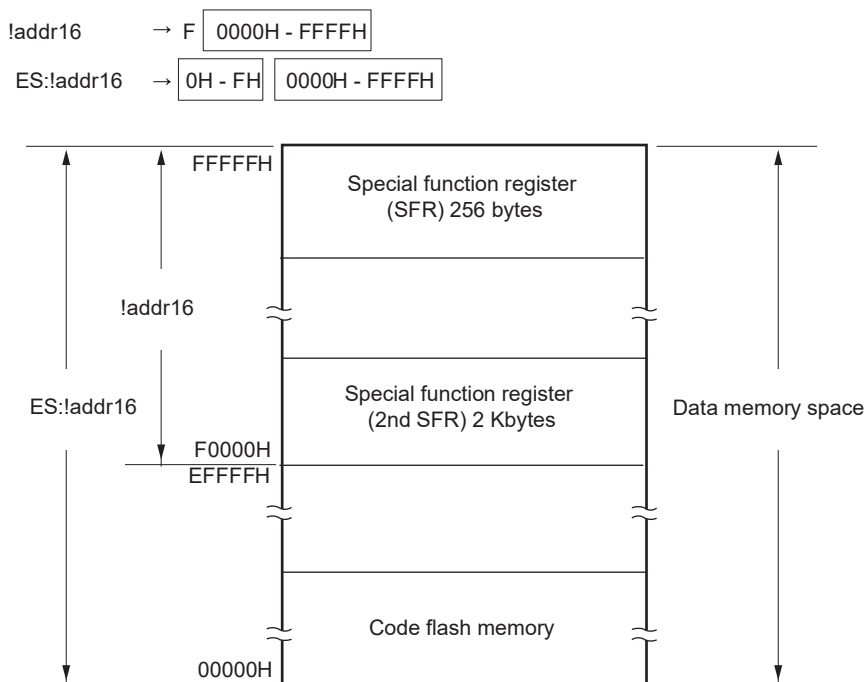
The default value of the ES register after reset is 0FH, and that of the CS register is 00H.

Figure 3-8. Configuration of ES and CS Registers

	7	6	5	4	3	2	1	0
ES	0	0	0	0	ES3	ES2	ES1	ES0
	7	6	5	4	3	2	1	0
CS	0	0	0	0	CS3	CS2	CS1	CS0

Though the data area which can be accessed with 16-bit addresses is the 64 Kbytes from F0000H to FFFFFH, using the ES register as well extends this to the 1 Mbyte from 00000H to FFFFFH.

Figure 3-9. Extension of Data Area Which Can Be Accessed



3.2.4 Special function registers (SFRs)

Unlike a general-purpose register, each SFR has a special function.

SFRs are allocated to the FFF00H to FFFFFH area.

SFRs can be manipulated like general-purpose registers, using operation, transfer, and bit manipulation instructions. The manipulable bit units, 1 and 8, depend on the SFR type.

Each manipulation bit unit can be specified as follows.

- 1-bit manipulation
Describe the symbol reserved by the assembler for the 1-bit manipulation instruction operand (sfr.bit). This manipulation can also be specified with an address.
- 8-bit manipulation
Describe the symbol reserved by the assembler for the 8-bit manipulation instruction operand (sfr). This manipulation can also be specified with an address.

Table 3-4 gives a list of the SFRs. The meanings of items in the table are as follows.

- Symbol
Symbol indicating the address of a special function register. It is a reserved word in the assembler, and is defined as an sfr variable using the #pragma sfr directive in the compiler. When using the assembler, debugger, and simulator, symbols can be written as an instruction operand.
- R/W
Indicates whether the corresponding SFR can be read or written.
R/W: Read/write enable
R: Read only
W: Write only
- Manipulable bit units
“√” indicates the manipulable bit unit (1 or 8). “–” indicates a bit unit for which manipulation is not possible.
- After reset
Indicates each register status upon reset signal generation.

Caution Do not access addresses to which extended SFRs are not assigned.

Remark For extended SFRs (2nd SFRs), see 3.2.5 Extended special function registers (2nd SFRs: 2nd Special Function Registers).

Table 3-4. SFR List (1/2)

Address	Special Function Register (SFR) Name	Symbol		R/W	Manipulable Bit Range		After Reset
					1-bit	8-bit	
FFF00H	Port register 0	P0		R/W	√	√	00H
FFF01H	Port register 1	P1		R/W	√	√	00H
FFF04H	Port register 4	P4		R/W	√	√	00H
FFF0CH	Port register 12	P12		R	√	√	Undefined
FFF0DH	Port register 13	P13		R	√	√	Undefined
FFF10H	Serial data register 00L	TXD0/SIO00	SDR00L	R/W	–	√	00H
FFF11H	Serial data register 00H	–	SDR00H	R/W	–	√	00H
FFF12H	Serial data register 01L	RXD0	SDR01L	R/W	–	√	00H
FFF13H	Serial data register 01H	–	SDR01H	R/W	–	√	00H
FFF18H	Timer data register 00L	TDR00L		R/W	–	√	00H
FFF19H	Timer data register 00H	TDR00H		R/W	–	√	00H
FFF1AH	Timer data register 01L	TDR01L		R/W	–	√	00H
FFF1BH	Timer data register 01H	TDR01H		R/W	–	√	00H
FFF1EH	A/D conversion result lower bit register	ADCRL		R	–	√	00H
FFF1FH	A/D conversion result upper bit register	ADCRH		R	–	√	00H
FFF20H	Port mode register 0	PM0		R/W	√	√	FFH
FFF21H	Port mode register 1	PM1		R/W	√	√	FFH
FFF24H	Port mode register 4	PM4		R/W	√	√	FFH
FFF30H	A/D converter mode register 0	ADM0		R/W	√	√	00H
FFF31H	Analog input channel specification register	ADS		R/W	√	√	00H
FFF34H	Key interrupt control register	KRCTL		R/W	√	√	00H
FFF35H	Key interrupt flag register	KRF		R/W	–	√	00H
FFF37H	Key interrupt mode register 0	KRM0		R/W	√	√	00H
FFF38H	External interrupt rising edge enable register 0	EGP0		R/W	√	√	00H
FFF39H	External interrupt falling edge enable register 0	EGN0		R/W	√	√	00H
FFF64H	Timer data register 02L	TDR02L		R/W	–	√	00H
FFF65H	Timer data register 02H	TDR02H		R/W	–	√	00H
FFF66H	Timer data register 03L	TDR03L		R/W	–	√	00H
FFF67H	Timer data register 03H	TDR03H		R/W	–	√	00H
FFF90H	Interval timer control register L	ITMCL		R/W	–	√	FFH
FFF91H	Interval timer control register H	ITMCH		R/W	–	√	0FH

Table 3-4. SFR List (2/2)

Address	Special Function Register (SFR) Name	Symbol	R/W	Manipulable Bit Range		After Reset
				1-bit	8-bit	
FFFA5H	Clock output select register 0	CKS0	R/W	√	√	00H
FFFA8H	Reset control flag register	RESF	R	–	√	Undefined ^{Note 1}
FFFABH	Watchdog timer enable register	WDTE	R/W	–	√	1AH/9AH ^{Note 2}
FFFE0H	Interrupt request flag register 0L	IF0L	R/W	√	√	00H
FFFE1H	Interrupt request flag register 0H	IF0H	R/W	√	√	00H
FFFE2H	Interrupt request flag register 1L	IF1L	R/W	√	√	00H
FFFE4H	Interrupt mask flag register 0L	MK0L	R/W	√	√	FFH
FFFE5H	Interrupt mask flag register 0H	MK0H	R/W	√	√	FFH
FFFE6H	Interrupt mask flag register 1L	MK1L	R/W	√	√	FFH
FFFE8H	Priority specification flag register 00L	PR00L	R/W	√	√	FFH
FFFE9H	Priority specification flag register 00H	PR00H	R/W	√	√	FFH
FFFEAH	Priority specification flag register 01L	PR01L	R/W	√	√	FFH
FFFECH	Priority specification flag register 10L	PR10L	R/W	√	√	FFH
FF FEDH	Priority specification flag register 10H	PR10H	R/W	√	√	FFH
FF FEEH	Priority specification flag register 11L	PR11L	R/W	√	√	FFH
FF FFEH	Processor mode control register	PMC	R/W	√	√	00H

Notes 1. The reset values of the register vary depending on the reset source as shown below.

Reset Source		RESET Input	Reset by Execution of Illegal Instruction	Reset by WDT	Reset by SPOR	Reset by Data Retention Lower Limit Voltage
Register	RESF	Cleared (0)	Set (1)	Held	Held	Cleared (0)
	TRAP bit		Held	Set (1)	Held	
	WDTRF bit		Held	Held	Set (1)	
	SPORF bit					

2. The reset value of the WDTE register is determined by the setting of the option byte.

Remark For extended SFRs (2nd SFRs), see **Table 3-5 Extended SFR (2nd SFR) List**.

3.2.5 Extended special function registers (2nd SFRs: 2nd Special Function Registers)

Unlike a general-purpose register, each extended SFR (2nd SFR) has a special function.

Extended SFRs are allocated to the F0000H to F07FFH area. SFRs other than those in the SFR area (FFF00H to FFFFFH) are allocated to this area. An instruction that accesses the extended SFR area, however, is 1 byte longer than an instruction that accesses the SFR area.

Extended SFRs can be manipulated like general-purpose registers, using operation, transfer, and bit manipulation instructions. The manipulable bit units, 1 and 8, depend on the SFR type.

Each manipulation bit unit can be specified as follows.

- 1-bit manipulation
Describe the symbol reserved by the assembler for the 1-bit manipulation instruction operand (!addr16.bit). This manipulation can also be specified with an address.
- 8-bit manipulation
Describe the symbol reserved by the assembler for the 8-bit manipulation instruction operand (!addr16). This manipulation can also be specified with an address.

Table 3-5 gives a list of the extended SFRs. The meanings of items in the table are as follows.

- Symbol
Symbol indicating the address of an extended SFR. It is a reserved word in the assembler, and is defined as an sfr variable using the #pragma sfr directive in the compiler. When using the assembler, debugger, and simulator, symbols can be written as an instruction operand.
- R/W
Indicates whether the corresponding extended SFR can be read or written.
R/W: Read/write enable
R: Read only
W: Write only
- Manipulable bit units
“√” indicates the manipulable bit unit (1 or 8). “-” indicates a bit unit for which manipulation is not possible.
- After reset
Indicates each register status upon reset signal generation.

Caution Do not access addresses to which extended SFRs are not assigned.

Remark For SFRs in the SFR area, see 3.2.4 Special function registers (SFRs).

Table 3-5. Extended SFR (2nd SFR) List (1/2)

Address	Special Function Register (SFR) Name	Symbol	R/W	Manipulable Bit Range		After Reset
				1-bit	8-bit	
F0010H	A/D converter mode register 2	ADM2	R/W	√	√	00H
F0030H	Pull-up resistor option register 0	PU0	R/W	√	√	00H
F0031H	Pull-up resistor option register 1	PU1	R/W	√	√	00H
F0034H	Pull-up resistor option register 4	PU4	R/W	√	√	01H
F003CH	Pull-up resistor option register 12	PU12	R/W	√	√	00H
F0050H	Port output mode register 0	POM0	R/W	√	√	00H
F0051H	Port output mode register 1	POM1	R/W	√	√	00H
F0060H	Port mode control register 0	PMC0	R/W	√	√	FFH
F0061H	Port mode control register 1	PMC1	R/W	√	√	FFH
F0070H	Noise filter enable register 0	NFEN0	R/W	√	√	00H
F0071H	Noise filter enable register 1	NFEN1	R/W	√	√	00H
F0072H	Timer I/O control register	TIOSC	R/W	√	√	00H
F0073H	Input switch control register	ISC	R/W	√	√	00H
F0074H	Pull-down resistor option register 0	PD0	R/W	√	√	00H
F0075H	Pull-down resistor option register 1	PD1	R/W	√	√	00H
F0077H	Peripheral I/O redirection register	PIOR	R/W	–	√	00H
F00A8H	High-speed on-chip oscillator trimming register	HOCODIV	R/W	–	√	Undefined
F00F0H	Peripheral enable register 0	PER0	R/W	√	√	00H
F00F3H	Operation speed mode control register	OSMC	R/W	–	√	00H
F00FEH	BCD adjust result register	BCDADJ	R	–	√	Undefined
F0100H	Serial status register 00	SSR00	R	–	√	00H
F0102H	Serial status register 01	SSR01	R	–	√	00H
F0108H	Serial flag clear trigger register 00	SIR00	R/W	–	√	00H
F010AH	Serial flag clear trigger register 01	SIR01	R/W	–	√	00H
F0110H	Serial mode register 00L	SMR00L	R/W	–	√	20H
F0111H	Serial mode register 00H	SMR00H	R/W	–	√	00H
F0112H	Serial mode register 01L	SMR01L	R/W	–	√	20H
F0113H	Serial mode register 01H	SMR01H	R/W	–	√	00H
F0118H	Serial communication operation setting register 00L	SCR00L	R/W	–	√	87H
F0119H	Serial communication operation setting register 00H	SCR00H	R/W	–	√	00H
F011AH	Serial communication operation setting register 01L	SCR01L	R/W	–	√	87H
F011BH	Serial communication operation setting register 01H	SCR01H	R/W	–	√	00H
F0120H	Serial channel enable status register 0	SE0	R	√	√	00H
F0122H	Serial channel start register 0	SS0	R/W	√	√	00H
F0124H	Serial channel stop register 0	ST0	R/W	√	√	00H
F0126H	Serial clock select register 0	SPS0	R/W	–	√	00H
F0128H	Serial output register 0	SO0	R/W	–	√	03H
F0129H	Serial clock output register 0	CKO0	R/W	–	√	03H
F012AH	Serial output enable register 0	SOE0	R/W	√	√	00H
F0134H	Serial output level register 0	SOLO	R/W	–	√	00H
F0180H	Timer counter register 00L	TCR00L	R	–	√	FFH
F0181H	Timer counter register 00H	TCR00H	R	–	√	FFH
F0182H	Timer counter register 01L	TCR01L	R	–	√	FFH
F0183H	Timer counter register 01H	TCR01H	R	–	√	FFH

Table 3-5. Extended SFR (2nd SFR) List (2/2)

Address	Special Function Register (SFR) Name	Symbol	R/W	Manipulable Bit Range		After Reset
				1-bit	8-bit	
F0184H	Timer counter register 02L	TCR02L	R	–	√	FFH
F0185H	Timer counter register 02H	TCR02H	R	–	√	FFH
F0186H	Timer counter register 03L	TCR03L	R	–	√	FFH
F0187H	Timer counter register 03H	TCR03H	R	–	√	FFH
F0190H	Timer mode register 00L	TMR00L	R/W	–	√	00H
F0191H	Timer mode register 00H	TMR00H	R/W	–	√	00H
F0192H	Timer mode register 01L	TMR01L	R/W	–	√	00H
F0193H	Timer mode register 01H	TMR01H	R/W	–	√	00H
F0194H	Timer mode register 02L	TMR02L	R/W	–	√	00H
F0195H	Timer mode register 02H	TMR02H	R/W	–	√	00H
F0196H	Timer mode register 03L	TMR03L	R/W	–	√	00H
F0197H	Timer mode register 03H	TMR03H	R/W	–	√	00H
F01A0H	Timer status register 00	TSR00	R	–	√	00H
F01A2H	Timer status register 01	TSR01	R	–	√	00H
F01A4H	Timer status register 02	TSR02	R	–	√	00H
F01A6H	Timer status register 03	TSR03	R	–	√	00H
F01B0H	Timer channel enable status register 0	TE0	R	√	√	00H
F01B1H	Timer channel enable status register 0 (8-bit mode)	TEH0	R	√	√	00H
F01B2H	Timer channel start register 0	TS0	R/W	√	√	00H
F01B3H	Timer channel start register 0 (8-bit mode)	TSH0	R/W	√	√	00H
F01B4H	Timer channel stop register 0	TT0	R/W	√	√	00H
F01B5H	Timer channel stop register 0 (8-bit mode)	TTH0	R/W	√	√	00H
F01B6H	Timer clock select register 0	TPS0	R/W	–	√	00H
F01B8H	Timer output register 0	TO0	R/W	–	√	00H
F01BAH	Timer output enable register 0	TOE0	R/W	√	√	00H
F01BCH	Timer output level register 0	TOL0	R/W	–	√	00H
F01BEH	Timer output mode register 0	TOM0	R/W	–	√	00H
F01C0H	RTO source select register	RTOSRC	R/W	√	√	00H
F01C1H	RTO forced cutoff control register	RTOSHT	R/W	√	√	00H
F01C2H	RTO control register 0	RTOOUTC0	R/W	√	√	00H
F01C3H	RTO control register 1	RTOOUTC1	R/W	√	√	00H
F01C4H	RTO forced cutoff output selection register	RTOCIO	R/W	√	√	00H
F01C5H	RTO forced cutoff status register	RTOSTR	R/W	√	√	00H

Remark For SFRs in the SFR area, see Table 3-4 SFR List.

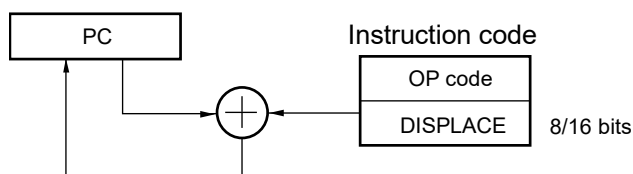
3.3 Instruction Address Addressing

3.3.1 Relative addressing

[Function]

Relative addressing stores in the program counter (PC) the result of adding a displacement value included in the instruction word (signed complement data: -128 to +127 or -32768 to +32767) to the program counter (PC)'s value (the start address of the next instruction), and specifies the program address to be used as the branch destination. Relative addressing is applied only to branch instructions.

Figure 3-10. Outline of Relative Addressing



3.3.2 Immediate addressing

[Function]

Immediate addressing stores immediate data of the instruction word in the program counter, and specifies the program address to be used as the branch destination.

For immediate addressing, CALL !!addr20 or BR !!addr20 is used to specify 20-bit addresses and CALL !addr16 or BR !addr16 is used to specify 16-bit addresses. 0000 is set to the higher 4 bits when specifying 16-bit addresses.

Figure 3-11. Example of CALL !!addr20/BR !!addr20

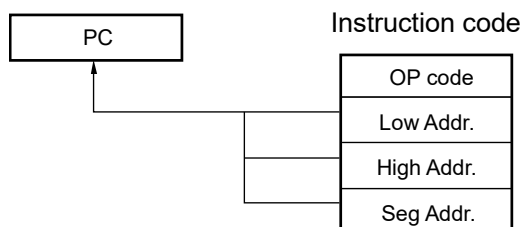
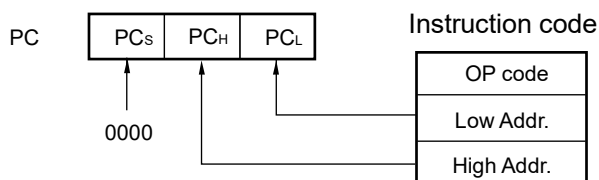


Figure 3-12. Example of CALL !addr16/BR !addr16



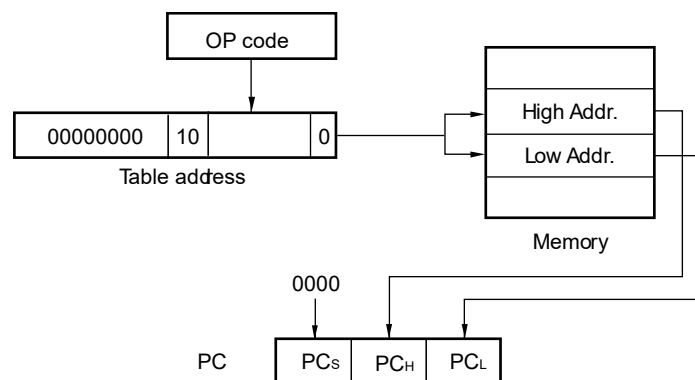
3.3.3 Table indirect addressing

[Function]

Table indirect addressing specifies a table address in the CALLT table area (0080H to 00BFH) with the 5-bit immediate data in the instruction word, stores the contents at that table address and the next address in the program counter (PC) as 16-bit data, and specifies the program address. Table indirect addressing is applied only for CALLT instructions.

In the RL78 microcontrollers, branching is enabled only to the 64 KB space from 00000H to 0FFFFH.

Figure 3-13. Outline of Table Indirect Addressing

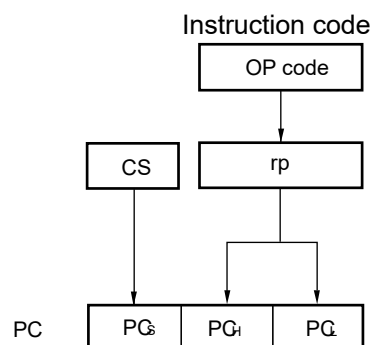


3.3.4 Register direct addressing

[Function]

Register direct addressing stores in the program counter (PC) the contents of a general-purpose register pair (AX/BC/DE/HL) and CS register of the current register bank specified with the instruction word as 20-bit data, and specifies the program address. Register direct addressing can be applied only to the CALL AX, BC, DE, HL, and BR AX instructions.

Figure 3-14. Outline of Register Direct Addressing



3.4 Addressing for Processing Data Addresses

3.4.1 Implied addressing

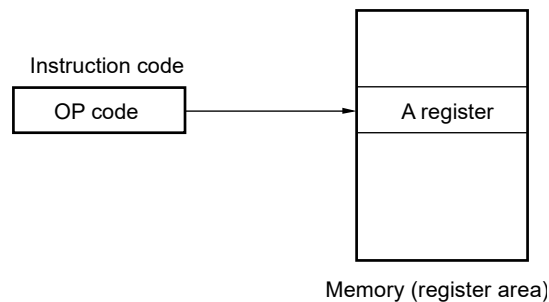
[Function]

Instructions for accessing registers (such as accumulators) that have special functions are directly specified with the instruction word, without using any register specification field in the instruction word.

[Operand format]

Implied addressing can be applied only to MULU X.

Figure 3-15. Outline of Implied Addressing



3.4.2 Register addressing

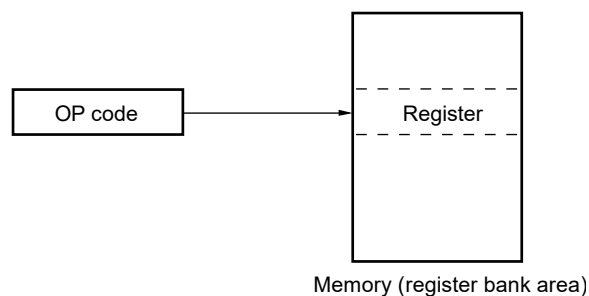
[Function]

Register addressing accesses a general-purpose register as an operand. The instruction word of 3-bit long is used to select an 8-bit register and the instruction word of 2-bit long is used to select a 16-bit register.

[Operand format]

Identifier	Description
r	X, A, C, B, E, D, L, H
rp	AX, BC, DE, HL

Figure 3-16. Outline of Register Addressing



3.4.3 Direct addressing

[Function]

Direct addressing uses immediate data in the instruction word as an operand address to directly specify the target address.

[Operand format]

Identifier	Description
!addr16	Label or 16-bit immediate data (only the space from F0000H to FFFFFH is specifiable: automatically added F of higher 4-bit addresses)
ES:!addr16	Label or 16-bit immediate data (higher 4-bit addresses are specified by the ES register)

Figure 3-17. Example of !addr16

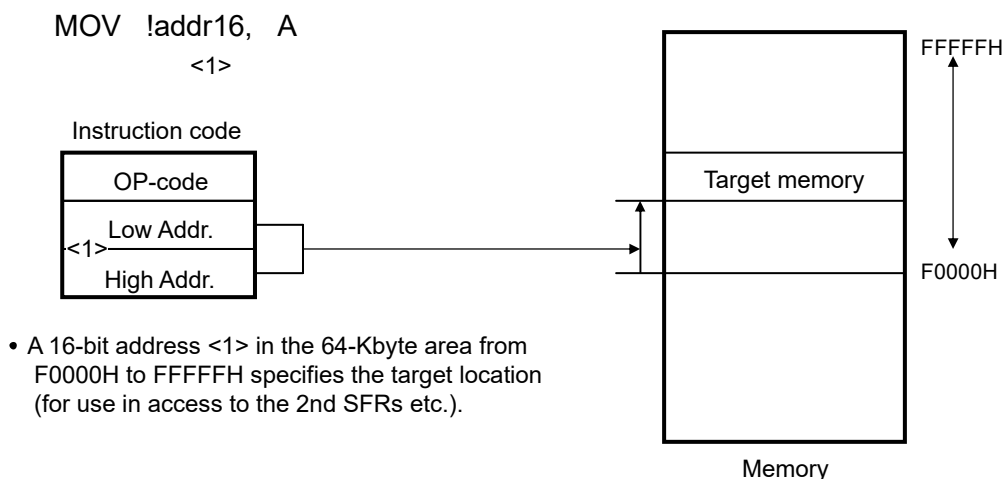
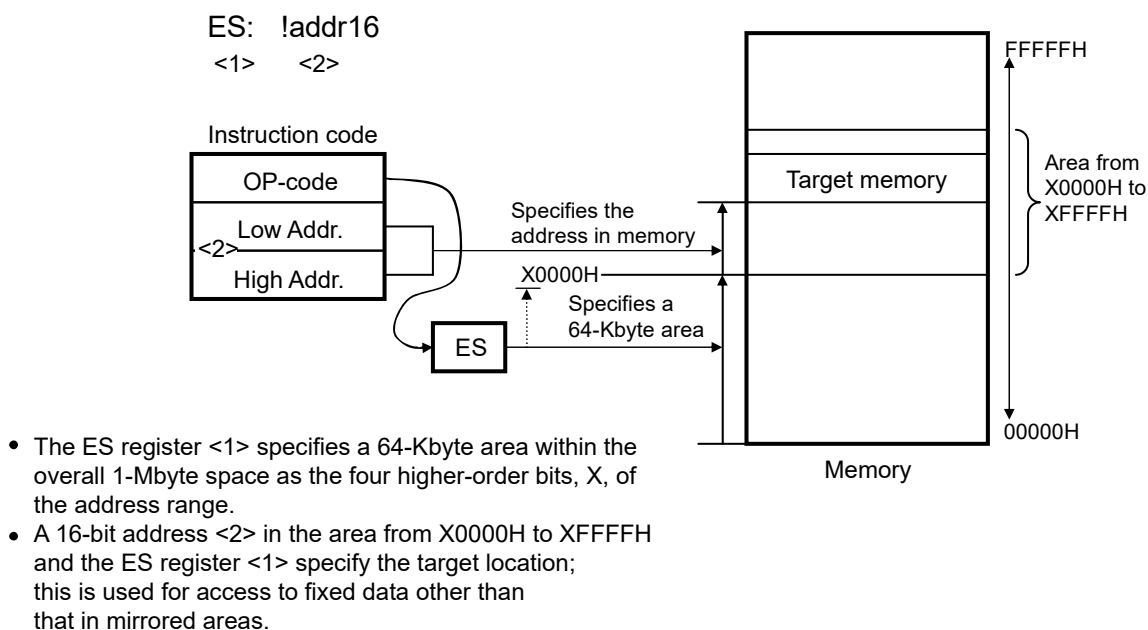


Figure 3-18. Example of ES:!addr16



3.4.4 Short direct addressing

[Function]

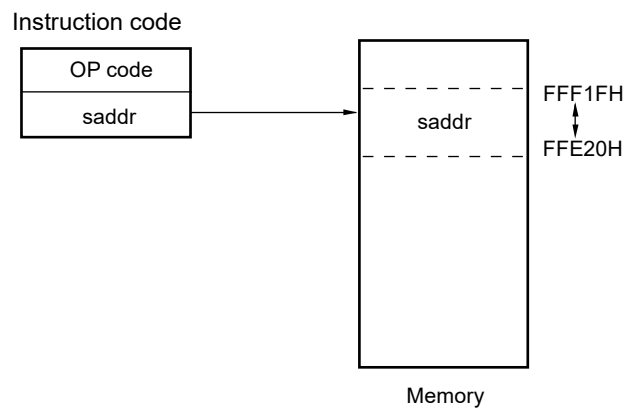
Short direct addressing directly specifies the target addresses using 8-bit data in the instruction word. This type of addressing is applied only to the space from FFE20H to FFF1FH.

Note that it is prohibited to use the area from FFEE0H to FFEF7H. In the products with 128 bytes of RAM, it is also prohibited to use the area from FFE20H to FFE5FH.

[Operand format]

Identifier	Description
SADDR	Label or FFE20H to FFF1FH immediate data
SADDRP	Label or FFE20H to FFF1FH immediate data (only even address is specifiable.)

Figure 3-19. Outline of Short Direct Addressing



Remark SADDR and SADDRP are used to describe the values of addresses FE20H to FF1FH with 16-bit immediate data (higher 4 bits of actual address are omitted), and the values of addresses FFE20H to FFF1FH with 20-bit immediate data.

Regardless of whether SADDR or SADDRP is used, addresses within the space from FFE20H to FFF1FH are specified for the memory.

3.4.5 SFR addressing

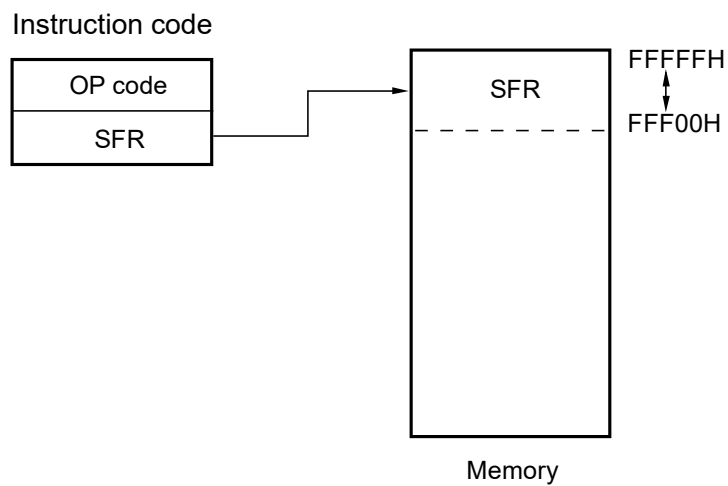
[Function]

SFR addressing directly specifies the target SFR addresses using 8-bit data in the instruction word. This type of addressing is applied only to the space from FFF00H to FFFFFH.

[Operand format]

Identifier	Description
SFR	SFR name
SFRP	16-bit-manipulatable SFR name (even address only)

Figure 3-20. Outline of SFR Addressing



3.4.6 Register indirect addressing

[Function]

Register indirect addressing directly specifies the target addresses using the contents of the register pair specified with the instruction word as an operand address.

[Operand format]

Identifier	Description
-	[DE], [HL] (only the space from F0000H to FFFFFH is specifiable)
-	ES:[DE], ES:[HL] (higher 4-bit addresses are specified by the ES register)

Figure 3-21. Example of [DE], [HL]

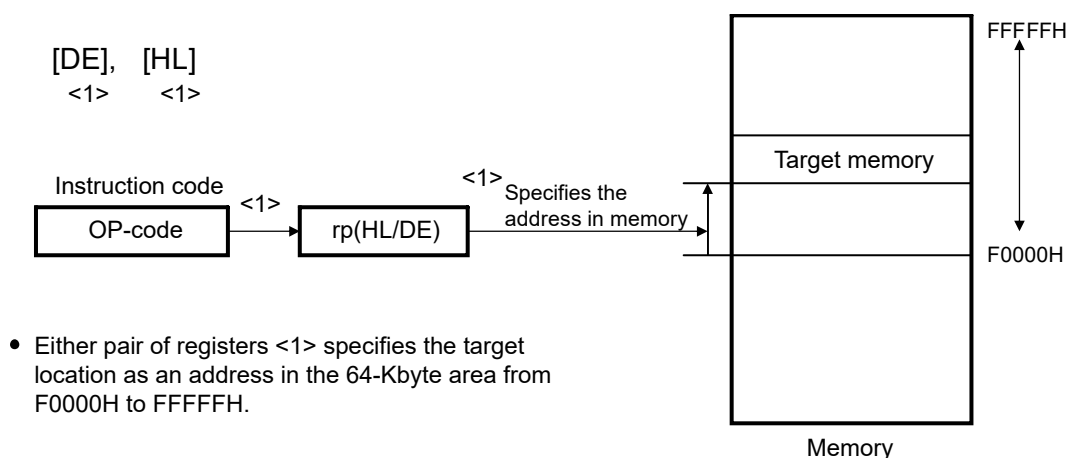
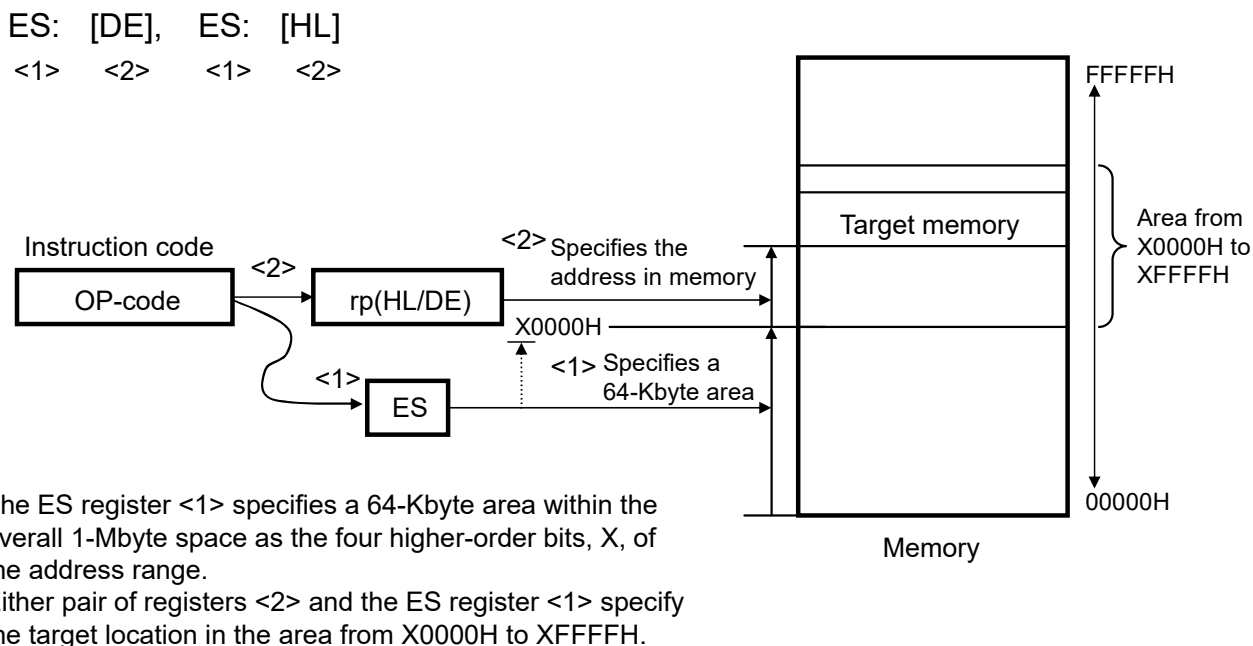


Figure 3-22. Example of ES:[DE], ES:[HL]



3.4.7 Based addressing

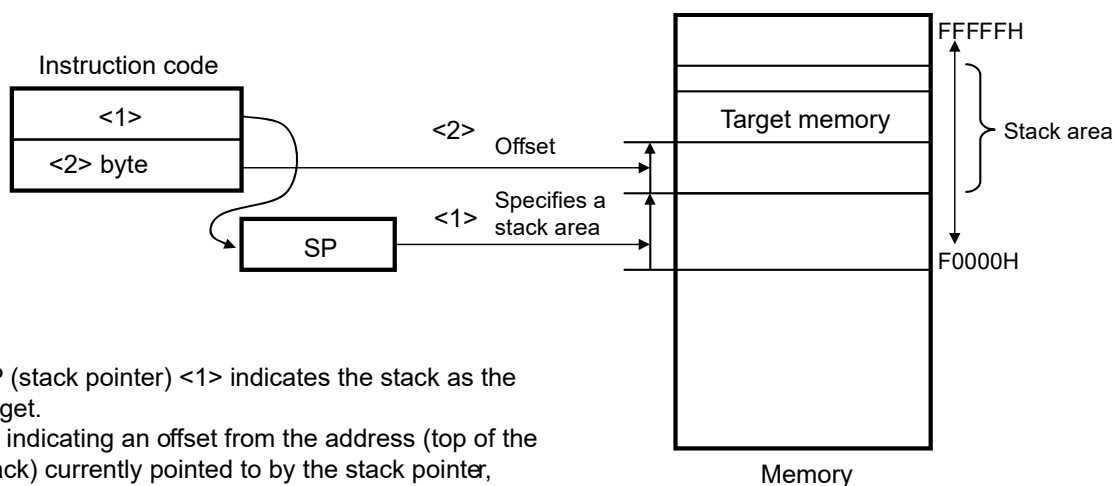
[Function]

Based addressing uses the contents of a register pair specified with the instruction word or 16-bit immediate data as a base address, and 8-bit immediate data or 16-bit immediate data as offset data. The sum of these values is used to specify the target address.

[Operand format]

Identifier	Description
–	[HL + byte], [DE + byte], [SP + byte] (only the space from F0000H to FFFFFH is specifiable)
–	word[B], word[C] (only the space from F0000H to FFFFFH is specifiable)
–	word[BC] (only the space from F0000H to FFFFFH is specifiable)
–	ES:[HL + byte], ES:[DE + byte] (higher 4-bit addresses are specified by the ES register)
–	ES:word[B], ES:word[C] (higher 4-bit addresses are specified by the ES register)
–	ES:word[BC] (higher 4-bit addresses are specified by the ES register)

Figure 3-23. Example of [SP+byte]



- SP (stack pointer) $\langle 1 \rangle$ indicates the stack as the target.
- By indicating an offset from the address (top of the stack) currently pointed to by the stack pointer, "byte" $\langle 2 \rangle$ indicates the target memory (SP + byte).

Figure 3-24. Example of [HL + byte], [DE + byte]

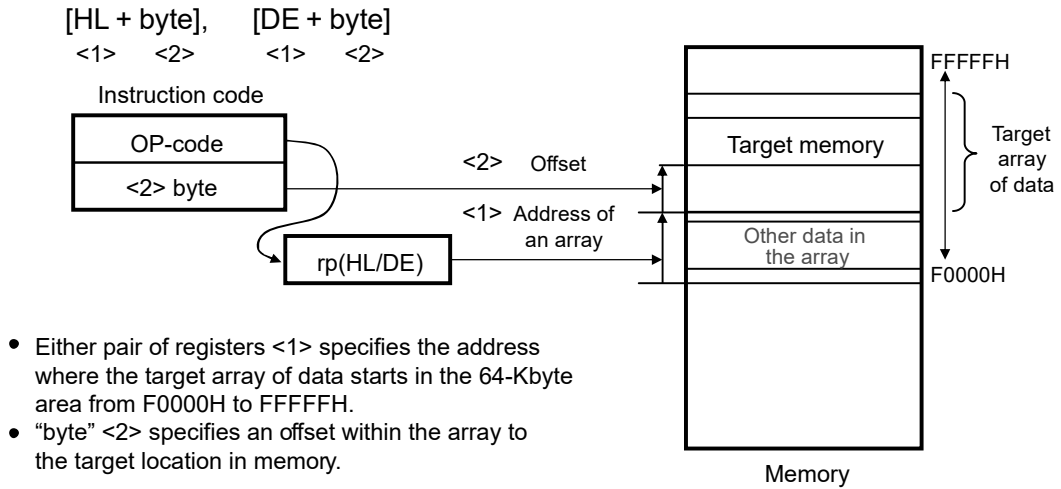


Figure 3-25. Example of word[B], word[C]

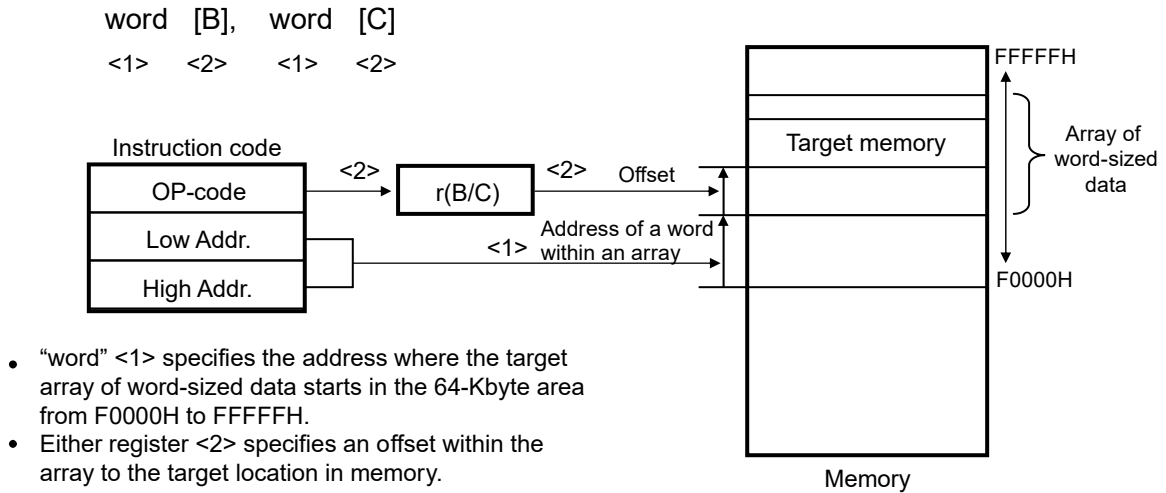


Figure 3-26. Example of word[BC]

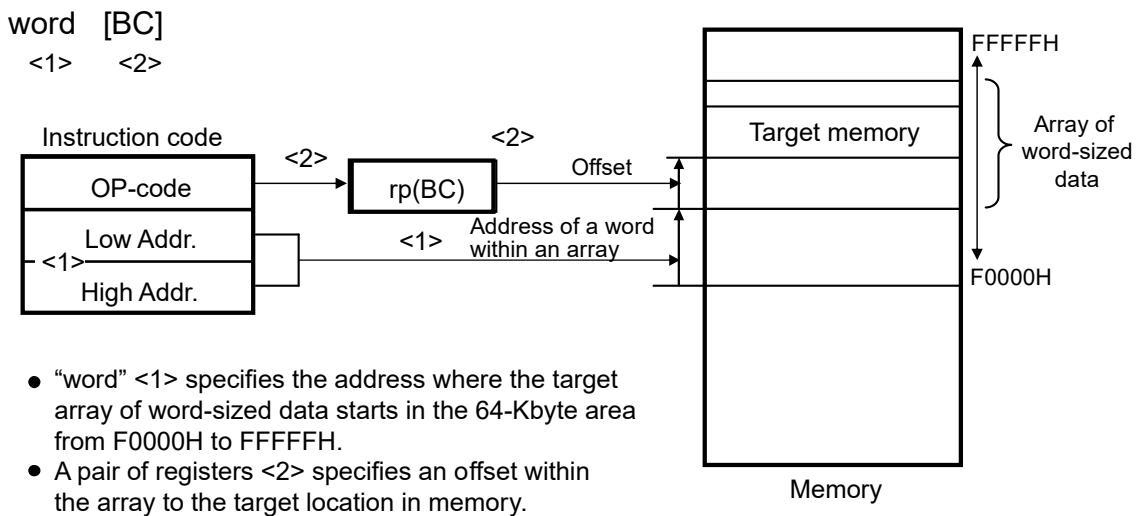


Figure 3-27. Example of ES:[HL + byte], ES:[DE + byte]

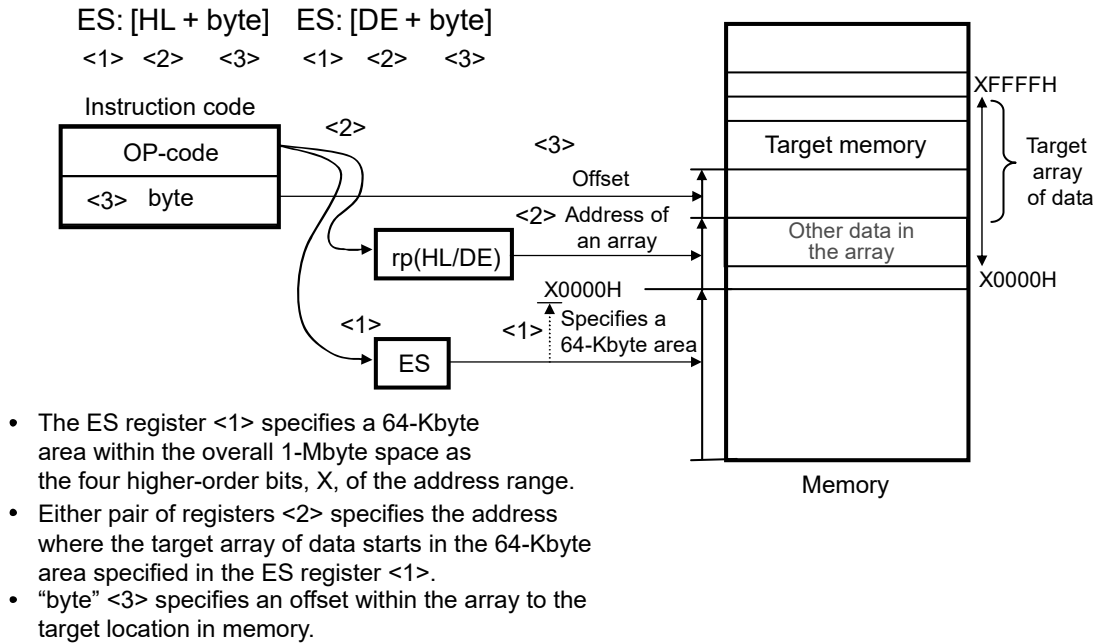


Figure 3-28. Example of ES:word[B], ES:word[C]

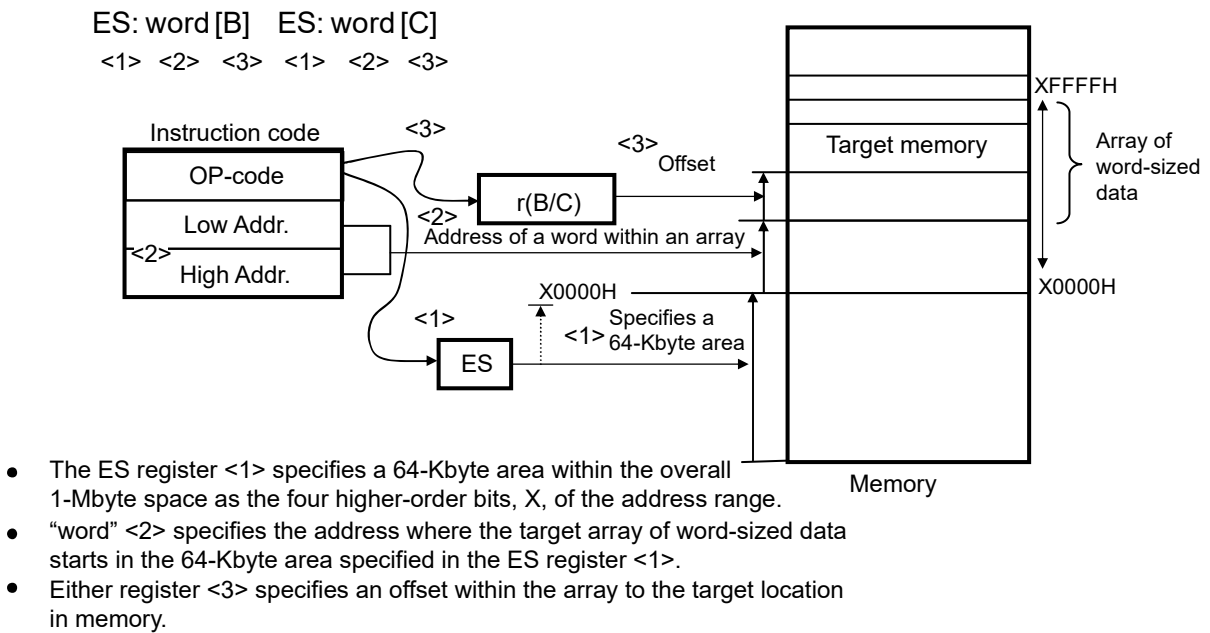
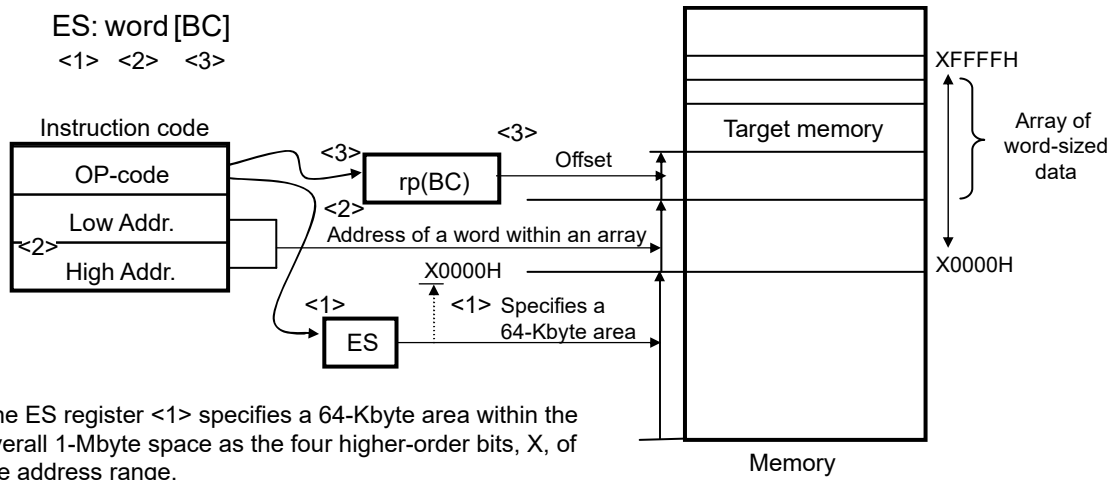


Figure 3-29. Example of ES:word[BC]



- The ES register <1> specifies a 64-Kbyte area within the overall 1-Mbyte space as the four higher-order bits, X, of the address range.
- “word” <2> specifies the address where the target array of word-sized data starts in the 64-Kbyte area specified in the ES register <1>.
- A pair of registers <3> specifies an offset within the array to the target location in memory.

3.4.8 Based indexed addressing

[Function]

Based indexed addressing uses the contents of a register pair specified with the instruction word as the base address, and the content of the B register or C register similarly specified with the instruction word as offset address. The sum of these values is used to specify the target address.

[Operand format]

Identifier	Description
-	[HL+B], [HL+C] (only the space from F0000H to FFFFFH is specifiable)
-	ES:[HL+B], ES:[HL+C] (higher 4-bit addresses are specified by the ES register)

Figure 3-30. Example of [HL+B], [HL+C]

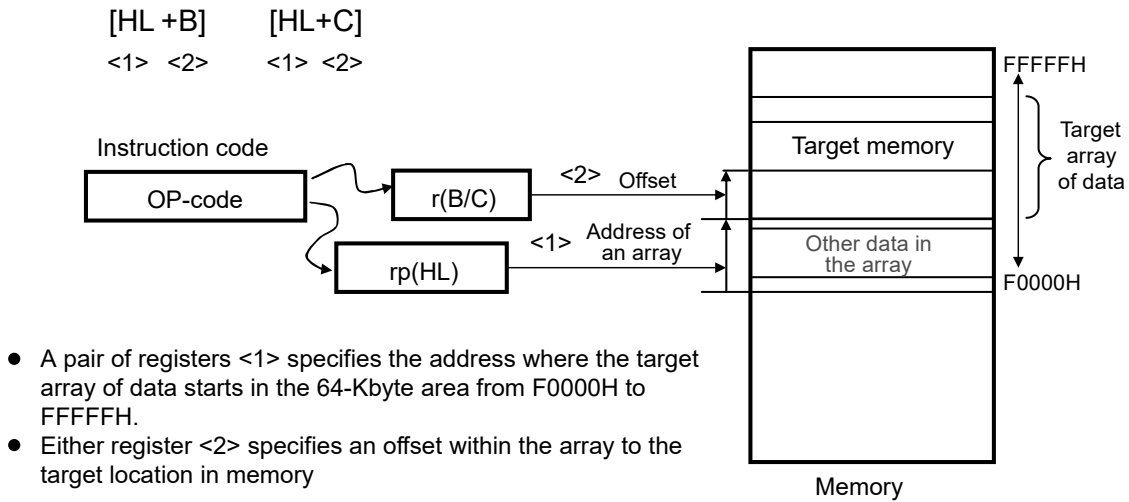
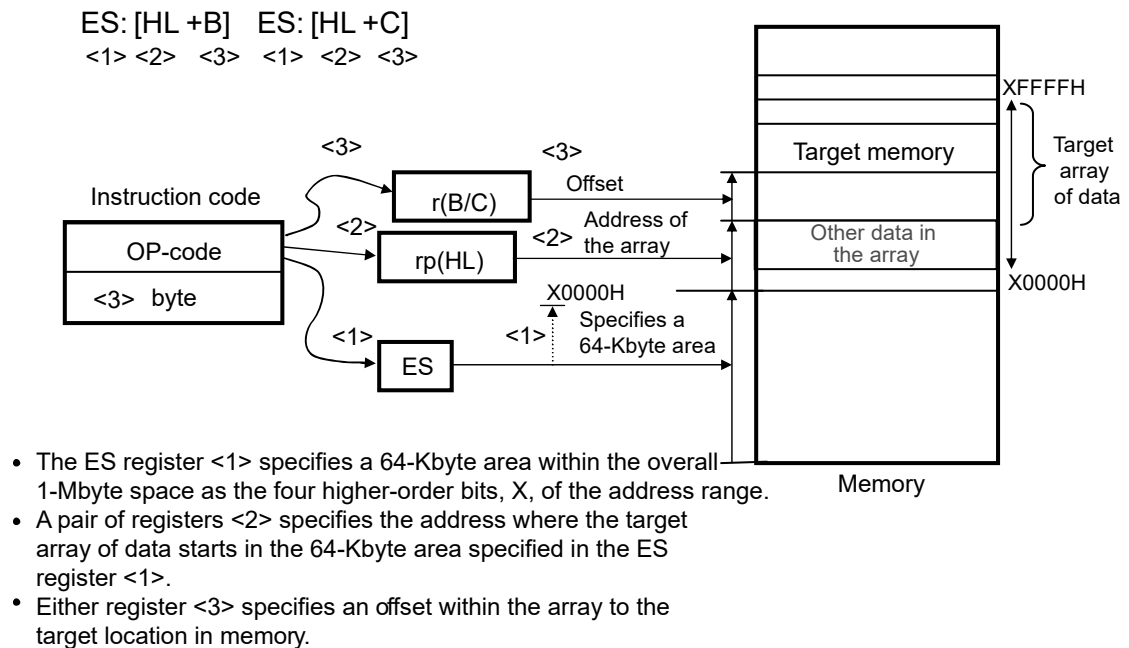


Figure 3-31. Example of ES:[HL+B], ES:[HL+C]



3.4.9 Stack addressing

[Function]

The stack area is indirectly addressed with the stack pointer (SP) values. This addressing is automatically employed when the PUSH, POP, subroutine call, and return instructions are executed or the register is saved/restored upon generation of an interrupt request.

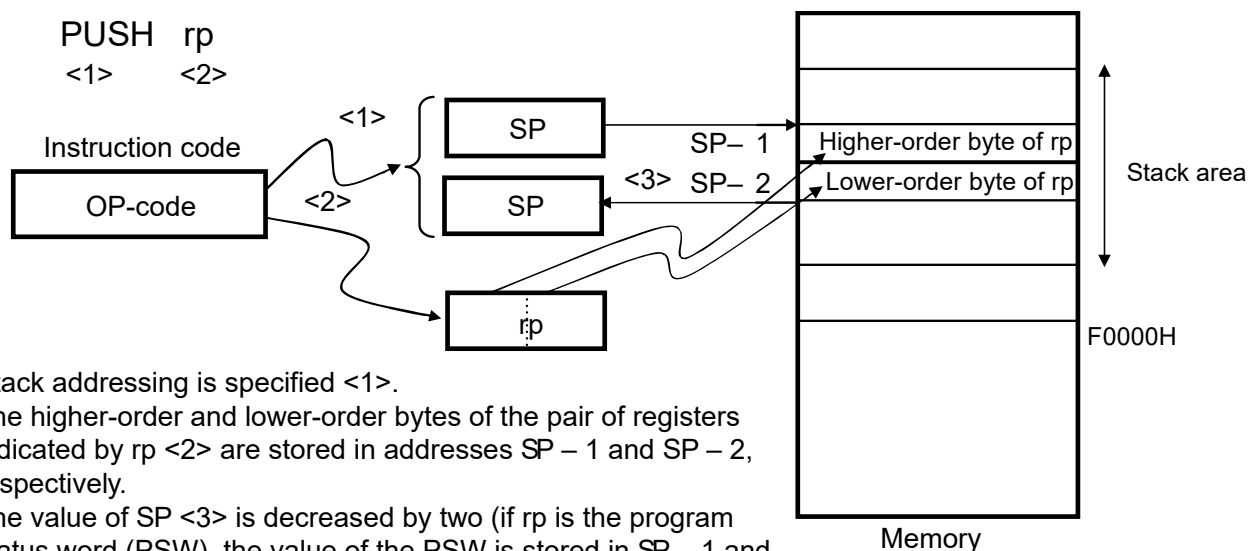
Only the internal RAM area can be set as the stack area.

[Operand format]

Identifier	Description
–	PUSH PSW AX/BC/DE/HL POP PSW AX/BC/DE/HL CALL/CALLT RET BRK RETB (Interrupt request generated) RETI

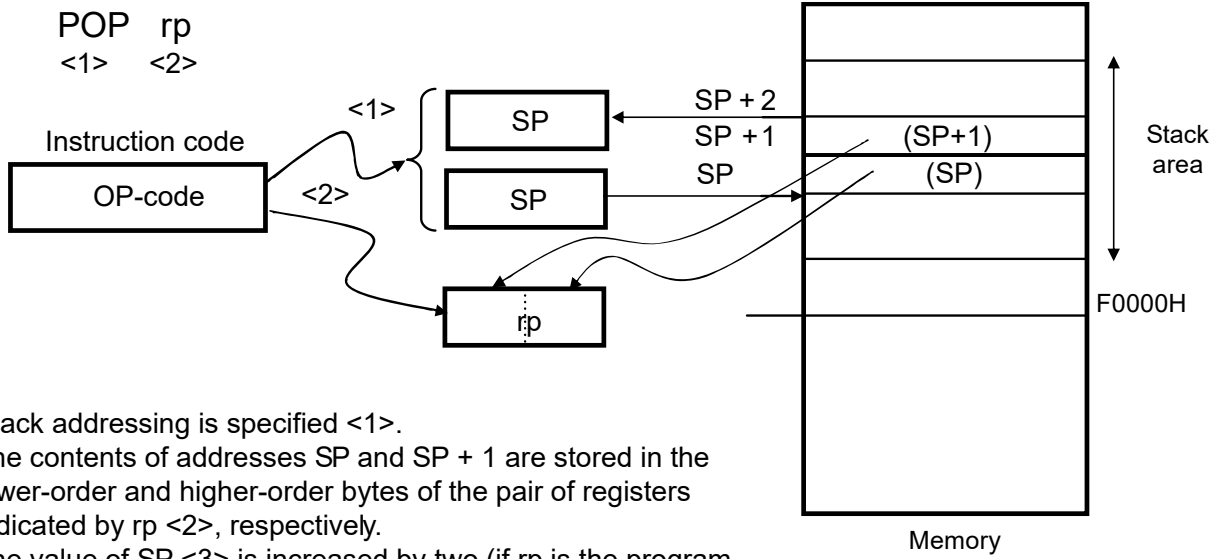
Each stack operation saves or restores data as shown in **Figures 3-32 to 3-37**.

Figure 3-32. Example of PUSH rp



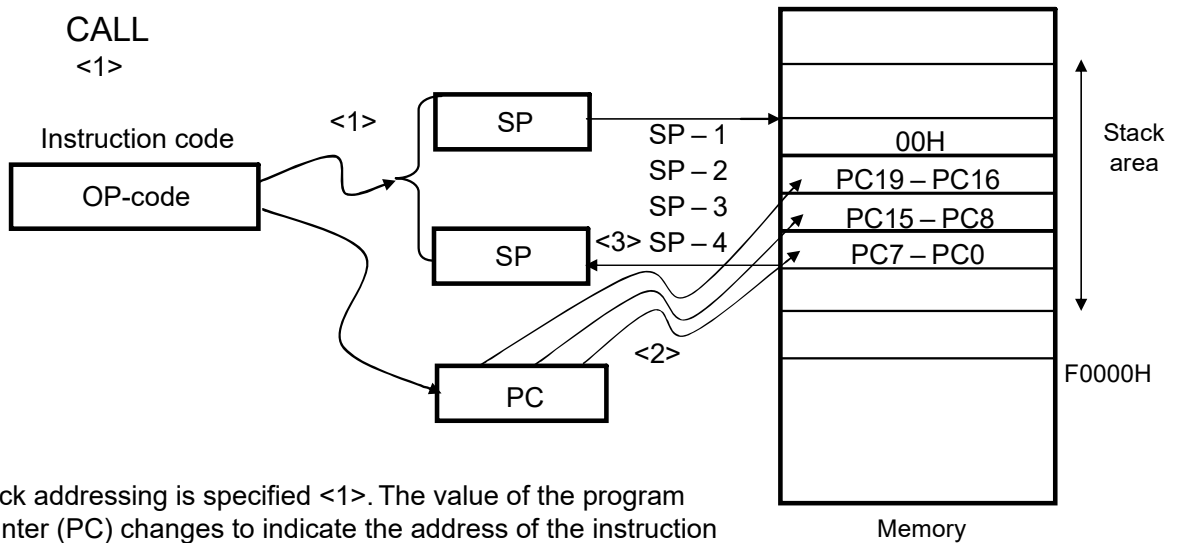
- Stack addressing is specified `<1>`.
- The higher-order and lower-order bytes of the pair of registers indicated by `rp <2>` are stored in addresses `SP - 1` and `SP - 2`, respectively.
- The value of `SP <3>` is decreased by two (if `rp` is the program status word (PSW), the value of the PSW is stored in `SP - 1` and 0 is stored in `SP - 2`).

Figure 3-33. Example of POP



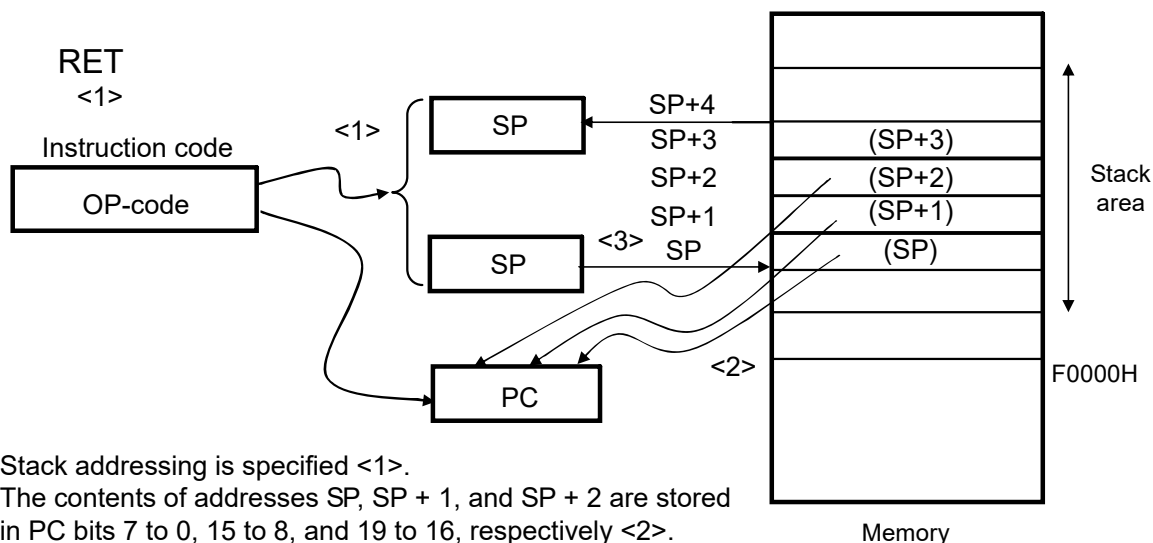
- Stack addressing is specified <1>.
- The contents of addresses SP and SP + 1 are stored in the lower-order and higher-order bytes of the pair of registers indicated by rp <2>, respectively.
- The value of SP <3> is increased by two (if rp is the program status word (PSW), the content of address SP + 1 is stored in the PSW).

Figure 3-34. Example of CALL, CALLT



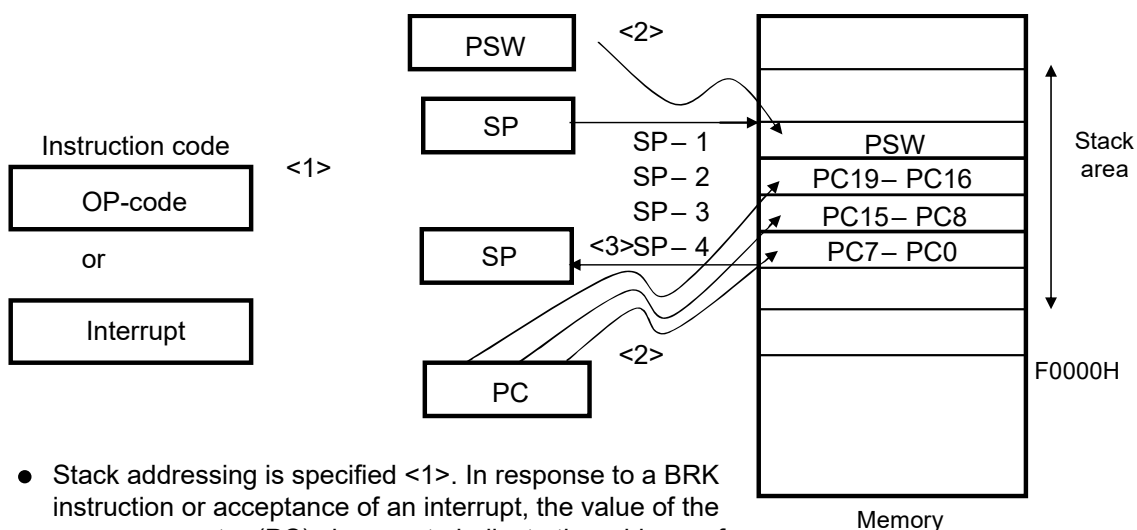
- Stack addressing is specified <1>. The value of the program counter (PC) changes to indicate the address of the instruction following the CALL instruction.
- 00H, the values of PC bits 19 to 16, 15 to 8, and 7 to 0 are stored in addresses SP - 1, SP - 2, SP - 3, and SP - 4, respectively <2>.
- The value of the SP <3> is decreased by 4.

Figure 3-35. Example of RET



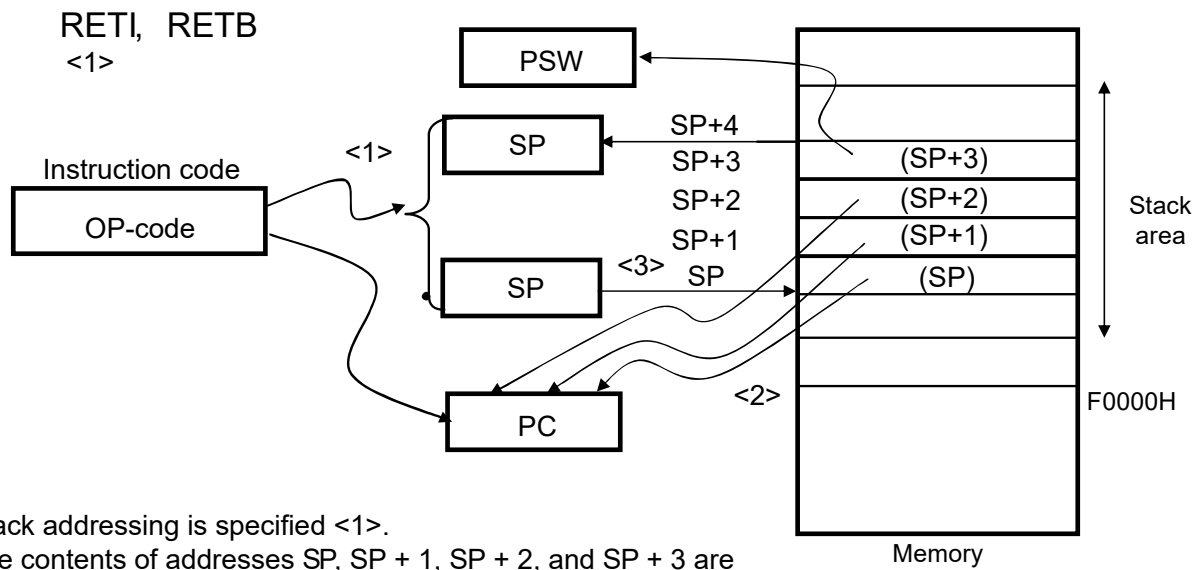
- Stack addressing is specified <1>.
- The contents of addresses SP, SP + 1, and SP + 2 are stored in PC bits 7 to 0, 15 to 8, and 19 to 16, respectively <2>.
- The value of SP <3> is increased by four.

Figure 3-36. Example of interrupt, BRK



- Stack addressing is specified <1>. In response to a BRK instruction or acceptance of an interrupt, the value of the program counter (PC) changes to indicate the address of the next instruction.
- The values of the PSW, PC bits 19 to 16, 15 to 8, and 7 to 0 are stored in addresses SP - 1, SP - 2, SP - 3, and SP - 4, respectively <2>.
- The value of the SP <3> is decreased by 4.

Figure 3-37. Example of RETI, RETB



- Stack addressing is specified <1>.
- The contents of addresses SP, SP + 1, SP + 2, and SP + 3 are stored in PC bits 7 to 0, 15 to 8, 19 to 16, and the PSW, respectively <2>.
- The value of SP <3> is increased by four.

CHAPTER 4 PORT FUNCTIONS

4.1 Port Functions

The RL78 microcontrollers are provided with digital I/O ports, which enable variety of control operations.

In addition to the function as digital I/O ports, these ports have several alternate functions. For details of the alternate functions, see **CHAPTER 2 PIN FUNCTIONS**.

4.2 Port Configuration

4.2.1 Port configuration of R7F0C806 and R7F0C807 products

Ports include the following hardware.

Table 4-1. Port Configuration (R7F0C806, R7F0C807)

Item	Configuration
Control registers	Port mode registers 0, 1, 4 (PM0, PM1, PM4) Port registers 0, 1, 4, 12, 13 (P0, P1, P4, P12, P13) Pull-up resistor option registers 0, 1, 4, 12 (PU0, PU1, PU4, PU12) Port output mode registers 0, 1 (POM0, POM1) Port mode control registers 0, 1 (PMC0, PMC1) Peripheral I/O redirection register (PIOR)
Port	Total: 18 (CMOS I/O: 16 (N-ch open-drain output (V_{DD} tolerance): 2), CMOS input: 2)
On-chip pull-up resistor	Total: 17
On-chip pull-down resistor	Total: 0

(1) Port 0

Port 0 is an I/O port with output latches. Port 0 can be set to the input mode or output mode in 1-bit units using port mode register 0 (PM0). When the P00 to P07 pins are used as input pins, use of the on-chip pull-up resistors can be specified in 1-bit units by pull-up resistor option register 0 (PU0).

Output from the P06 pin can be specified as N-ch open-drain (V_{DD} tolerance) in 1-bit units using port output mode register 0 (POM0).

This port can also be used for real-time output, analog input, key return input, and external interrupt request input. Reset signal generation sets P00 to P06 to input mode, and sets P07 to analog input mode.

(2) Port 1

Port 1 is an I/O port with output latches. Port 1 can be set to the input mode or output mode in 1-bit units using port mode register 1 (PM1). When the P10 to P16 pins are used as input pins, use of the on-chip pull-up resistors can be specified in 1-bit units by pull-up resistor option register 1 (PU1).

Output from the P10 pin can be specified as N-ch open-drain (V_{DD} tolerance) in 1-bit units using port output mode register 1 (POM1).

This port can also be used for serial interface data I/O, clock I/O, analog input, key return input, clock/buzzer output, timer I/O, and external interrupt request input.

Reset signal generation sets P10 to P16 to analog input mode.

(3) Port 4

Port 4 is an I/O port with an output latch. Port 4 can be set to the input mode or output mode in 1-bit units using port mode register 4 (PM4). When the P40 pin is used as an input pin, use of the on-chip pull-up resistor can be specified in 1-bit units by pull-up resistor option register 4 (PU4).

This port can also be used for data I/O for a flash memory programmer/debugger.

(4) Port 12

Port 12 is an input-only port. Use of an on-chip pull-up resistor can be specified for P125 using pull-up resistor option register 12 (PU12) (the on-chip pull-up resistor is always valid when $\overline{\text{RESET}}$ input is selected (PORTSELB = 1)).

This port can also be used for key return input and reset input.

Caution Once the power is turned on, P125 functions as the $\overline{\text{RESET}}$ input. The PORTSELB bit of the option byte (000C1H) defines whether this port operates as P125/KR1 or $\overline{\text{RESET}}$. When this pin is set to P125/KR1, do not input the low level to this pin during a reset by the selectable power-on-reset (SPOR) circuit and during the period from release from the reset by the SPOR circuit to the start of normal operation. If input of the low level continues during this period, the chip will remain in the reset state in response to the external reset. Accordingly, the pull-up resistor is enabled after power is turned on.

(5) Port 13

Port 13 is an input-only port. This port can also be used for timer input and external interrupt request input.

4.2.2 Port configuration of R7F0C808 and R7F0C809 products

Ports include the following hardware.

Table 4-2. Port Configuration (R7F0C808, R7F0C809)

Item	Configuration
Control registers	Port mode registers 0, 1, 4 (PM0, PM1, PM4) Port registers 0, 1, 4, 12, 13 (P0, P1, P4, P12, P13) Pull-up resistor option registers 0, 1, 4, 12 (PU0, PU1, PU4, PU12) Pull-down resistor option registers 0, 1 (PD0, PD1) Port output mode registers 0, 1 (POM0, POM1) Port mode control registers 0, 1 (PMC0, PMC1) Peripheral I/O redirection register (PIOR)
Port	Total: 18 (CMOS I/O: 16 (N-ch open-drain output (V_{DD} tolerance): 8), P-ch open-drain output (V_{DD} tolerance): 6), CMOS input: 2)
On-chip pull-up resistor	Total: 17
On-chip pull-down resistor	Total: 8

(1) Port 0

Port 0 is an I/O port with output latches. Port 0 can be set to the input mode or output mode in 1-bit units using port mode register 0 (PM0). When the P00 to P07 pins are used as input pins, use of the on-chip pull-up resistors can be specified in 1-bit units by pull-up resistor option register 0 (PU0).

When the P06 and P07 pins are used as input pins, use of the on-chip pull-down resistors can be specified in 1-bit units by pull-down resistor option register 0 (PD0).

Output from the P00 to P05 pins can be specified as P-ch open-drain (V_{DD} tolerance) in 1-bit units using port output mode register 0 (POM0).

Output from the P06 and P07 pins can be specified as N-ch open-drain (V_{DD} tolerance) in 1-bit units using port output mode register 0 (POM0).

This port can also be used for serial interface data I/O, clock I/O, analog input, key return input, and external interrupt request input.

Reset signal generation sets P00 to P06 to input mode, and sets P07 to analog input mode.

(2) Port 1

Port 1 is an I/O port with output latches. Port 1 can be set to the input mode or output mode in 1-bit units using port mode register 1 (PM1). When the P10 to P16 pins are used as input pins, use of the on-chip pull-up resistors can be specified in 1-bit units by pull-up resistor option register 1 (PU1). When the P10 to P15 pins are used as input pins, use of the on-chip pull-down resistors can be specified in 1-bit units by pull-down resistor option register 1 (PD1).

Output from the P10 to P15 pins can be specified as N-ch open-drain (V_{DD} tolerance) in 1-bit units using port output mode register 1 (POM1).

This port can also be used for serial interface data I/O, clock I/O, analog input, key return input, clock/buzzer output, timer I/O, and external interrupt request input.

Reset signal generation sets P10 to P16 to analog input mode.

(3) Port 4

Port 4 is an I/O port with an output latch. Port 4 can be set to the input mode or output mode in 1-bit units using port mode register 4 (PM4). When the P40 pin is used as an input pin, use of the on-chip pull-up resistor can be specified in 1-bit units by pull-up resistor option register 4 (PU4).

This port can also be used for data I/O for a flash memory programmer/debugger.

(4) Port 12

Port 12 is an input-only port. Use of an on-chip pull-up resistor can be specified for P125 using pull-up resistor option register 12 (PU12) (the on-chip pull-up resistor is always valid when $\overline{\text{RESET}}$ input is selected (PORTSELB = 1)).

This port can also be used for key return input and reset input.

Caution Once the power is turned on, P125 functions as the $\overline{\text{RESET}}$ input. The PORTSELB bit of the option byte (000C1H) defines whether this port operates as P125/KR1 or $\overline{\text{RESET}}$. When this pin is set to P125/KR1, do not input the low level to this pin during a reset by the selectable power-on-reset (SPOR) circuit and during the period from release from the reset by the SPOR circuit to the start of normal operation. If input of the low level continues during this period, the chip will remain in the reset state in response to the external reset. Accordingly, the pull-up resistor is enabled after power is turned on.

(5) Port 13

Port 13 is an input-only port. This port can also be used for timer input and external interrupt request input.

4.3 Registers Controlling Port Function

Port functions are controlled by the following registers.

- Port mode registers 0, 1, 4 (PM0, PM1, PM4)
- Port registers 0, 1, 4, 12, 13 (P0, P1, P4, P12, P13)
- Pull-up resistor option registers 0, 1, 4, 12 (PU0, PU1, PU4, PU12)
- Pull-down resistor option registers 0, 1 (PD0, PD1)^{Note}
- Port output mode registers 0, 1 (POM0, POM1)
- Port mode control registers 0, 1 (PMC0, PMC1)
- Peripheral I/O redirection register (PIOR)

Note R7F0C808 and R7F0C809 only

Caution Which registers and bits are included depends on the product. For registers and bits mounted on each product, see Table 4-3. Be sure to set bits that are not mounted to their initial values.

Table 4-3. Pm, PMn, PUy, PDz, POMz, PMCz Registers and the Bits

Port		Bit Name					
		Pm Register	PMn Register	PUy Register	PDz Register ^{Note}	POMz Register	PMCz Register
PORT0	0	P00	PM00	PU00	–	POM00 ^{Note}	–
	1	P01	PM01	PU01	–	POM01 ^{Note}	–
	2	P02	PM02	PU02	–	POM02 ^{Note}	–
	3	P03	PM03	PU03	–	POM03 ^{Note}	–
	4	P04	PM04	PU04	–	POM04 ^{Note}	–
	5	P05	PM05	PU05	–	POM05 ^{Note}	–
	6	P06	PM06	PU06	PD06 ^{Note}	POM06 ^{Note}	–
	7	P07	PM07	PU07	PD07 ^{Note}	POM07 ^{Note}	PMC07
PORT1	0	P10	PM10	PU10	PD10 ^{Note}	POM10 ^{Note}	PMC10
	1	P11	PM11	PU11	PD11 ^{Note}	POM11 ^{Note}	PMC11
	2	P12	PM12	PU12	PD12 ^{Note}	POM12 ^{Note}	PMC12
	3	P13	PM13	PU13	PD13 ^{Note}	POM13 ^{Note}	PMC13
	4	P14	PM14	PU14	PD14 ^{Note}	POM14 ^{Note}	PMC14
	5	P15	PM15	PU15	PD15 ^{Note}	POM15 ^{Note}	PMC15
	6	P16	PM16	PU16	–	–	PMC16
PORT4	0	P40	PM40	PU40	–	–	–
PORT12	5	P125	–	PU125	–	–	–
PORT13	7	P137	–	–	–	–	–

Note R7F0C808 and R7F0C809 only.

Remark m = 0, 1, 4, 12, 13
 n = 0, 1, 4
 y = 0, 1, 4, 12
 Z = 0, 1

The format of each register is described below.

4.3.1 Port mode registers 0, 1, 4 (PM0, PM1, PM4)

These registers specify input or output mode for the port in 1-bit units.

These registers can be set by a 1-bit or 8-bit memory manipulation instruction.

Reset signal generation sets these registers to FFH.

When port pins are used as alternate-function pins, set the port mode register by referring to **4.5 Register Settings When an Alternate Function Is Used**.

Figure 4-1. Format of Port Mode Registers 0, 1, 4 (PM0, PM1, PM4)

Symbol	7	6	5	4	3	2	1	0	Address	After reset	R/W
PM0	PM07	PM06	PM05	PM04	PM03	PM02	PM01	PM00	FFF20H	FFH	R/W
PM1	1	PM16	PM15	PM14	PM13	PM12	PM11	PM10	FFF21H	FFH	R/W
PM4	1	1	1	1	1	1	1	PM40	FFF24H	FFH	R/W
PMmn	Pmn pin I/O mode selection										
0	Output mode (output buffer on)										
1	Input mode (output buffer off)										

m = 0, 1, 4; n = 0 to 7

Caution Be sure to set bits that are not mounted to their initial values.

4.3.2 Port registers 0, 1, 4, 12, 13 (P0, P1, P4, P12, P13)

These registers set the output latch value of a port.

If the data is read in the input mode, the pin level is read. If it is read in the output mode, the output latch value is read^{Note}.

These registers can be set by a 1-bit or 8-bit memory manipulation instruction.

Reset signal generation sets the P12 and P13 registers to the undefined value, and clears the other registers to 00H.

Note When a pin that is set as an analog input pin (PMC0x = 1, PM0x = 1) is read, the value read is always 0 regardless of the input signal level on the pin.

When the data bit for P125 is read while the setting for the P125/KR1/RESET pin is RESET input (PORTSELB = 1), the value read is always 1.

Figure 4-2. Format of Port Registers 0, 1, 4, 12, 13 (P0, P1, P4, P12, P13)

Symbol	7	6	5	4	3	2	1	0	Address	After reset	R/W
P0	P07	P06	P05	P04	P03	P02	P01	P00	FFF00H	00H (output latch)	R/W
P1	0	P16	P15	P14	P13	P12	P11	P10	FFF01H	00H (output latch)	R/W
P4	0	0	0	0	0	0	0	P40	FFF04H	00H (output latch)	R/W
P12	0	0	P125	0	0	0	0	0	FFF0CH	Undefined	R
P13	P137	0	0	0	0	0	0	0	FFF0DH	Undefined	R

Pmn	Output data control (in output mode)	Input data read (in input mode)
0	Output 0	Input low level
1	Output 1	Input high level

m = 0, 1, 4, 12, 13; n = 0 to 7

Caution Be sure to set bits that are not mounted to their initial values.

4.3.3 Pull-up resistor option registers 0, 1, 4, 12 (PU0, PU1, PU4, PU12)

These registers specify whether the on-chip pull-up resistors are to be used or not. On-chip pull-up resistors can be used in 1-bit units only for the bits that satisfy the following three conditions for the pins to which the use of an on-chip pull-up resistor has been specified in these registers.

Usage conditions of the on-chip pull-up resistor:

- PMmn = 1 (Input mode)
- PMCmn = 0 (Digital I/O)
- POM0n = 0 (Normal output mode)

On-chip pull-up resistors cannot be connected to bits set to output mode and bits used as alternate-function output pins, regardless of the settings of these registers.

These registers can be set by a 1-bit or 8-bit memory manipulation instruction.

Reset signal generation sets PU4 to 01H, PU12 to 20H, and clears PU0 and PU1 to 00H.

Figure 4-3. Format of Pull-up Resistor Option Registers 0, 1, 4, 12 (PU0, PU1, PU4, PU12)

Symbol	7	6	5	4	3	2	1	0	Address	After reset	R/W
PU0	PU07	PU06	PU05	PU04	PU03	PU02	PU01	PU00	F0030H	00H	R/W
PU1	0	PU16	PU15	PU14	PU13	PU12	PU11	PU10	F0031H	01H	R/W
PU4	0	0	0	0	0	0	0	PU40	F0034H	01H	R/W
PU12	0	0	PU125 ^{Note}	0	0	0	0	0	F003CH	20H	R/W

PUmn	Pmn pin on-chip pull-up resistor selection
0	On-chip pull-up resistor not connected
1	On-chip pull-up resistor connected

m = 0, 1, 4, 12; n = 0 to 7

Note This bit can be only manipulated when the P125/KR1 function is selected (PORTSELB = 0) (the on-chip pull-up resistor is always valid (PU125 = 1) when the RESET input (PORTSELB = 1) is selected).

- Cautions**
1. Be sure to set bits that are not mounted to their initial values.
 2. When both a pull-up and a pull-down register are connected to a port, do not enable both registers at the same time.

4.3.4 Pull-down resistor option registers 0, 1 (PD0, PD1) (R7F0C808 and R7F0C809 only)

These registers specify whether the on-chip pull-down resistors are to be used or not. On-chip pull-down resistors can be used in 1-bit units only for the bits that satisfy the following three conditions for the pins to which the use of an on-chip pull-down resistor has been specified in these registers.

Usage conditions of the on-chip pull-down resistor:

- PMmn = 1 (Input mode)
- PMCmn = 0 (Digital I/O)
- POM0n = 0 (Normal output mode)

On-chip pull-down resistors cannot be connected to bits set to output mode and bits used as alternate-function output pins, regardless of the settings of these registers.

These registers can be set by a 1-bit or 8-bit memory manipulation instruction.

Reset signal generation clears PD0 and PD1 to 00H.

Figure 4-4. Format of Pull-down Resistor Option Registers 0, 1 (PD0, PD1)

Symbol	7	6	5	4	3	2	1	0	Address	After reset	R/W
PD0	PD07	PD06	0	0	0	0	0	0	F0074H	00H	R/W
PD1	0	0	PD15	PD14	PD13	PD12	PD11	PD10	F0075H	01H	R/W
PDmn	Pmn pin on-chip pull-down resistor selection										
0	On-chip pull-down resistor not connected										
1	On-chip pull-down resistor connected										

m = 0, 1; n = 0 to 7

- Cautions**
1. Be sure to set bits that are not mounted to their initial values.
 2. When both a pull-up and a pull-down register are connected to a port, do not enable both registers at the same time.

4.3.5 Port output mode registers 0, 1 (POM0, POM1)

This register sets CMOS output/N-ch open drain output or CMOS output/P-ch open drain output in 1-bit units.

This register can be set by a 1-bit or 8-bit memory manipulation instruction.

Reset signal generation clears this register to 00H.

Caution An on-chip pull-up resistor/on-chip pull-down resistor is not connected to a bit for which N-ch open drain output (V_{DD} tolerance) mode or P-ch open drain output (V_{DD} tolerance) mode (POM0n =1) is set.

Figure 4-5. Format of Port Output Mode Registers 0, 1 (POM0, POM1)

Symbol	7	6	5	4	3	2	1	0	Address	After reset	R/W
POM0	POM07 ^{Note}	POM06	POM05 ^{Note}	POM04 ^{Note}	POM03 ^{Note}	POM02 ^{Note}	POM01 ^{Note}	POM00 ^{Note}	F0050H	00H	R/W
POM1	0	0	POM15 ^{Note}	POM14 ^{Note}	POM13 ^{Note}	POM12 ^{Note}	POM11 ^{Note}	POM10	F0051H	00H	R/W

POMmn	Pmn pin output mode selection
0	Normal output mode
1	N-ch open-drain output (V_{DD} tolerance) mode (mn = 06, 07, 10 to 15) P-ch open-drain output (V_{DD} tolerance) mode (mn = 00 to 05)

Note R7F0C808 and R7F0C809 only.

m = 0, 1; n = 0 to 7

Caution Be sure to set bits that are not mounted to their initial values.

4.3.6 Port mode control registers 0, 1 (PMC0, PMC1)

This register sets the digital I/O or analog input in 1-bit units.

This register can be set by a 1-bit or 8-bit memory manipulation instruction.

Reset signal generation sets this register to FFH.

Figure 4-6. Format of Port Mode Control Registers 0, 1 (PMC0, PMC1)

Symbol	7	6	5	4	3	2	1	0	Address	After reset	R/W
PMC0	PMC07	1	1	1	1	1	1	1	F0060H	FFH	R/W
PMC1	1	PMC16	PMC15	PMC14	PMC13	PMC12	PMC11	PMC10	F0061H	FFH	R/W

PMCmn	Pmn pin digital I/O/analog input selection
0	Digital I/O (alternate function other than analog input)
1	Analog input

m = 0, 1; n = 0 to 7

- Cautions**
1. Select input mode by using port mode registers 0, 1 (PM0, PM1) for the ports which are set by the PMC0 and PMC1 registers as analog input.
 2. Be sure to set bits that are not mounted to their initial values.

4.3.7 Peripheral I/O redirection register (PIOR)

This register is used to specify whether to enable or disable the peripheral I/O redirect function.

This function is used to switch ports to which alternate functions are assigned.

Use the PIOR register to assign a port to the function to redirect and enable the function.

In addition, can be changed the settings for redirection until its function enable operation.

The PIOR register can be set by an 8-bit memory manipulation instruction.

Reset signal generation clears this register to 00H.

Figure 4-7. Format of Peripheral I/O Redirection Register (PIOR)

R7F0C808 and R7F0C809 products

Symbol	7	6	5	4	3	2	1	0	Address	After reset	R/W
PIOR	0	PIOR6	PIOR5	PIOR4	PIOR3	PIOR2	PIOR1	PIOR0	F0077H	00H	R/W

R7F0C806 and R7F0C807 products

Symbol	7	6	5	4	3	2	1	0	Address	After reset	R/W
PIOR	PIOR7	0	0	0	0	PIOR2	PIOR1	PIOR0	F0077H	00H	R/W

Bit	Function	Setting value	
		0	1
PIOR7 ^{Note 1}	SO00/TXD0	P06	P10
	SI00/RXD0	P07	P15
	SCK00	P10	P16
PIOR6 ^{Note 2}	TXD0	P06	P16
	RXD0	P07	P137
PIOR5 ^{Note 2}	SO00/TXD0	P06	P01
	SI00/RXD0	P07	P137
	SCK00	P10	P16
PIOR4 ^{Note 2}	SO00/TXD0	P06	P01
	SI00/RXD0	P07	P137
	SCK00	P10	P00
PIOR3 ^{Note 2}	KR0	P40	P00
PIOR2	INTP1	P06	P11
PIOR1	TI01/TO01	P12	P40
PIOR0	PCLBUZ0	P10	P40

Notes 1. R7F0C806 and R7F0C807 products only.

2. R7F0C808 and R7F0C809 products only.

Cautions 1. It is prohibited to set PIOR0 and PIOR1 to 1 at the same time.

2. It is prohibited to set PIOR3 and PIOR4 to 1 at the same time.

3. It is prohibited to set two or more of PIOR4, PIOR5, and PIOR6 at the same time.

4. Be sure to set bits that are not mounted to their initial values.

4.4 Port Function Operations

Port operations differ depending on whether the input or output mode is set, as shown below.

4.4.1 Writing to I/O port

(1) Output mode

A value is written to the output latch by a transfer instruction, and the output latch contents are output from the pin.

Once data is written to the output latch, it is retained until data is written to the output latch again.

The data of the output latch is cleared when a reset signal is generated.

(2) Input mode

A value is written to the output latch by a transfer instruction, but since the output buffer is off, the pin status does not change. Therefore, byte data can be written to the ports used for both input and output.

Once data is written to the output latch, it is retained until data is written to the output latch again.

The data of the output latch is cleared when a reset signal is generated.

4.4.2 Reading from I/O port

(1) Output mode

The output latch contents are read by a transfer instruction. The output latch contents do not change.

(2) Input mode

The pin status is read by a transfer instruction. The output latch contents do not change.

4.4.3 Operations on I/O port

(1) Output mode

An operation is performed on the output latch contents, and the result is written to the output latch. The output latch contents are output from the pins.

Once data is written to the output latch, it is retained until data is written to the output latch again.

The data of the output latch is cleared when a reset signal is generated.

(2) Input mode

The pin level is read and an operation is performed on its contents. The result of the operation is written to the output latch, but since the output buffer is off, the pin status does not change. Therefore, byte data can be written to the ports used for both input and output.

The data of the output latch is cleared when a reset signal is generated.

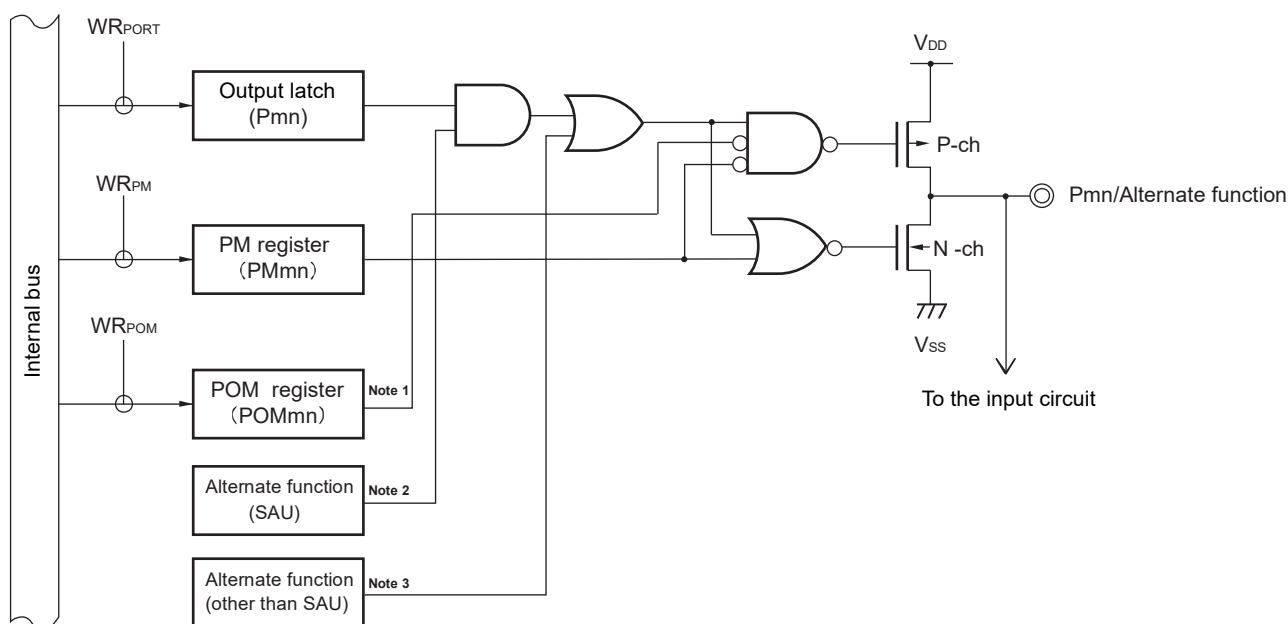
4.5 Register Settings When an Alternate Function Is Used

4.5.1 Basic concepts on using an alternate function

If a given pin is also used alternately for analog input, first in the port mode control register 0 (PMC0) specify whether the pin is to be used in analog input or digital output.

The basic configuration of an output circuit for pins that are used in digital I/O is shown in Figure 4-8. The output from the SAU function doubling as an output from the port output latch is input into the AND gate. The output from the AND gate is input into the OR gate. To the other input pin for the OR gate, the outputs from alternate non-SAU functions (TAU, clock/buzzer output, etc.) are connected. When such a pin is used as a port or alternate function, the alternate function that is not used must not interfere with the output from the function to be used. Table 4-4 summarizes underlying concepts of specifying basic settings for making that distinction.

Figure 4-8. Basic Configuration of the Output Circuit for the Pins



- Notes**
1. In the absence of a POM register, this signal should be considered Low (0).
 2. In the absence of an alternate function, this signal should be considered High (1).
 3. In the absence of an alternate function, this signal should be considered Low (0).

Remark m: port number (m = 0, 4, 12, 13); n: bit number (n = 0 to 7)

Table 4-4. Basic Settings

Output Function of the Pin Used	Output Settings for Alternate Functions That Are Not Used		
	Port Function	SAU Output Function	Non-SAU Output Function
Port output function	–	Output: High (1)	Output: Low (0)
SAU output function	High (1)	–	Output: Low (0)
Non-SAU output function	Low (0)	Output: High (1)	Output: Low (0) ^{Note}

Note Since more than one non-SAU output function can be assigned to a given pin, the output from an alternate function that is not used must be set to Low (0). For specific settings methods, see **4.5.2 Register settings for alternate functions that do not use an output function.**

4.5.2 Register settings for alternate functions that do not use an output function

If the output from an alternate function associated with a pin is not used, the settings described below must be specified. If the pin is subject to a peripheral I/O redirect function, the output can be changed to another pin by setting the peripheral I/O redirection register (PIOR). In this manner, the port function or another alternate function that is assigned to the target pin can be used.

(1) SOp = 1/TXDq = 1 (when not using the serial output (SOp/TXDq) of SAU)

In situations where serial output (SOp/TXDq) is not used, such as when SAU is used exclusively for serial input, set the bits in the serial output enable register m (SOEm) associated with the output that is not used to 0 (output disabled), and the SOMn bit in the serial output register m (SOM) to 1 (High). This is the same as the default settings.

(2) SCKp = 1 (when not using the channel n of SAU)

When not using SAU, set the bit n (SEmn) in the serial channel enable status register m (SEm) to 0 (operation halted status), set the bits in the serial output enable register m (SOEm) associated with the output that is not used to 0 (output disabled), and the SOMn and CKOm bits in the serial output register m (SOM) to 1 (High). This is the same as the default settings.

(3) TOMn = 0 (when not using the output from the channel n of TAU)

When not using the TOMn output from TAU, set the bits in the timer output enable register 0 (TOE0) associated with the output that is not used to 0 (output disabled), and the bits in the timer output register 0 (TO0) to 0 (Low). This is the same as the default settings.

(4) PCLBUZn = 0 (when not using the clock output/buzzer output)

When not using the clock output/buzzer output, set the PCLOEn bit in the clock output selection register n (CKSn) to 0 (output disabled). This is the same as the default settings.

4.5.3 Example of register settings for port and alternate functions used

Tables 4-5 and 4-6 show examples of register settings for port and alternate functions that are used. Registers that control the port functions should be set as indicated in Tables 4-5 and 4-6. For conventions used in Tables 4-5 and 4-6, see the remarks provided below:

Remark	–:	Excluded
	x:	don't care
	PIOR:	Peripheral I/O redirection register
	POMz:	Port output mode register z (z = 0, 1)
	PMCz:	Port mode control register z (z = 0, 1)
	PMn:	Port mode register n (n = 0, 1, 4)
	Pm:	Port output latch (m = 0, 1, 4, 12, 13)
	PUy:	Pull-up resistor option register y (y = 0, 1, 4, 12)
	PDz:	Pull-down resistor option register z (z = 0, 1)

Functions in parentheses in the above table can be assigned via settings in the peripheral I/O redirection register (PIOR).

Table 4-5. Examples of Register And Output Latch Settings With Pin Functions (R7F0C806, R7F0C807) (1/4)

Pin	Function		PIOR	POMz	PMCz	PMn	Pm	PUy	Alternate Function Output	
	Name	I/O							SAU Output Function	Non-SAU
P00	P00	Input	–	–	–	1	×	0/1	–	×
		Output	–	–	–	0	0/1	×	–	RTIO00 = 0
	INTP5	Input	–	–	–	1	×	0/1	–	×
	RTIO00	Output	–	–	–	0	0	×	–	×
P01	P01	Input	–	–	–	1	×	0/1	–	×
		Output	–	–	–	0	0/1	×	–	RTIO01 = 0
	INTP4	Input	–	–	–	1	×	0/1	–	×
	RTIO01	Output	–	–	–	0	0	×	–	×
P02	P02	Input	–	–	–	1	×	0/1	–	×
		Output	–	–	–	0	0/1	×	–	RTIO02 = 0
	RTIO02	Output	–	–	–	0	0	×	–	×
P03	P03	Input	–	–	–	1	×	0/1	–	×
		Output	–	–	–	0	0/1	×	–	RTIO03 = 0
	RTIO03	Output	–	–	–	0	0	×	–	×
P04	P04	Input	–	–	–	1	×	0/1	–	×
		Output	–	–	–	0	0/1	×	–	RTIO04 = 0
	RTIO04	Output	–	–	–	0	0	×	–	×
P05	P05	Input	–	–	–	1	×	0/1	–	×
		Output	–	–	–	0	0/1	×	–	RTIO05 = 0
	RTIO05	Output	–	–	–	0	0	×	–	×

Table 4-5. Examples of Register And Output Latch Settings With Pin Functions (R7F0C806, R7F0C807) (2/4)

Pin	Function		PIOR	POMz	PMCz	PMn	Pm	PUy	Alternate Function Output	
	Name	I/O							SAU Output Function	Non-SAU
P06	P06	Input	–	×	–	1	×	0/1	×	×
		Output	–	0	–	0	0/1	×	SO00/TXD0 = 1	RTIO06 = 0
		N-ch open-drain output	–	1	–	0	0/1	×		
	SO00	Output	PIOR7 = 0	0/1	–	0	1	×	×	RTIO06 = 0
	TXD0	Output		0/1	–	0	1	×	×	RTIO06 = 0
	INTP1	Input	PIOR2 = 0	×	–	1	×	0/1	×	×
	RTIO06	Output	–	0	–	0	0	×	SO00/TXD0 = 1	×
		N-ch open-drain output	–	1	–	0	0	×	SO00/TXD0 = 1	×
P07	P07	Input	–	–	0	1	×	0/1	–	×
		Output	–	–	0	0	0/1	×	–	RTIO07 = 0
	ANI0	Input	–	–	1	1	×	×	–	×
	SI00	Input	PIOR7 = 0	–	0	1	×	0/1	–	×
	RXD0	Input		–	0	1	×	0/1	–	×
	KR2	Input	–	–	0	1	×	0/1	–	×
	RTIO07	Output	–	–	0	0	0	×	–	×
P10	P10	Input	–	×	0	1	×	0/1	×	×
		Output	–	0	0	0	0/1	×	SCK00 (SO0/TXD0) = 1	PCLBUZ0 = 0
		N-ch open-drain output	–	1	0	0	0/1	×	SCK00 (SO0/TXD0) = 1	
	ANI1	Input	–	×	1	1	×	×	×	×
	SCK00	Input	PIOR7 = 0	×	0	1	×	0/1	×	×
		Output		0/1	0	0	1	×	×	PCLBUZ0 = 0
	PCLBUZ0	Output	PIOR0 = 0	0	0	0	0	×	SCK00 (SO0/TXD0) = 1	×
	KR3	Input	–	×	0	1	×	0/1	×	×
	(SO00)	Output	PIOR7 = 1	0/1	0	0	1	×	×	PCLBUZ0 = 0
(TXD0)	Output	PIOR7 = 1	0/1	0	0	1	×	×	PCLBUZ0 = 0	
P11	P11	Input	–	–	0	1	×	0/1	–	×
		Output	–	–	0	0	0/1	×	–	TO00 = 0
	ANI2	Input	–	–	1	1	×	×	–	×
	TO00	Output	–	–	0	0	0	×	–	×
	KR4	Input	–	–	0	1	×	0/1	–	×
	(INTP1)	Input	PIOR2 = 1	–	0	1	×	0/1	–	×

Table 4-5. Examples of Register And Output Latch Settings With Pin Functions (R7F0C806, R7F0C807) (3/4)

Pin	Function		PIOR	POMz	PMCz	PMn	Pm	PUy	Alternate Function Output	
	Name	I/O							SAU Output Function	Non-SAU
P12	P12	Input	–	–	0	1	×	0/1	–	×
		Output	–	–	0	0	0/1	×	–	TO01 = 0
	ANI3	Input	–	–	1	1	×	×	–	×
	TI01	Input	PIOR1 = 0	–	0	1	×	0/1	–	×
	TO01	Output		–	0	0	0	×	–	×
	KR5	Input	–	–	0	1	×	0/1	–	×
P13	P13	Input	–	–	0	1	×	0/1	–	×
		Output	–	–	0	0	0/1	×	–	TO03 = 0
	ANI4	Input	–	–	1	1	×	×	–	×
	TO03	Output	–	–	0	0	0	0/1	–	×
	KR6	Input	–	–	0	1	×	0/1	–	×
P14	P14	Input	–	–	0	1	×	×	–	–
		Output	–	–	0	0	0/1	×	–	–
	ANI5	Input	–	–	1	1	×	0/1	–	–
	TI03	Input	–	–	0	1	×	0/1	–	–
	INTP3	Input	–	–	0	1	×	0/1	–	–
P15	P15	Input	–	–	0	1	×	×	–	–
		Output	–	–	0	0	0/1	×	–	–
	ANI6	Input	–	–	1	1	×	0/1	–	–
	INTP2	Input	–	–	0	1	×	0/1	–	–
	(SI00)	Input	PIOR7 = 1	–	0	1	×	0/1	–	–
	(RXD0)	Input		–	0	1	×	0/1	–	–
P16	P16	Input	–	–	0	1	×	×	×	×
		Output	–	–	0	0	0/1	0/1	(SCK00) = 1	TO02 = 0
	TI02	Input	–	–	0	1	×	×	×	×
	TO02	Output	–	–	0	0	0	0/1	(SCK00) = 1	×
	KR7	Input	–	–	0	1	×	0/1	×	×
	(SCK00)	Input	PIOR7 = 1	–	0	1	×	0/1	×	×
		Output		–	0	0	1	×		TO02 = 0
	ANI7	Input	–	–	1	1	×	×	×	×

Table 4-5. Examples of Register And Output Latch Settings With Pin Functions (R7F0C806, R7F0C807) (4/4)

Pin	Function		PIOR	POMz	PMCz	PMn	Pm	PUy	Alternate Function Output	
	Name	I/O							SAU Output Function	Non-SAU
P40	P40	Input	–	–	–	1	×	0/1	–	×
		Output	–	–	–	0	0/1	×	–	(PCLBUZ0) = 0 (TO01) = 0
	KR0	Input	–	–	–	1	×	0/1	–	×
	TOOL0	I/O	–	–	–	×	×	×	–	×
	(PCLBUZ0)	Output	PIOR0 = 1	–	–	0	0	×	–	×
	(TI01)	Input	PIOR1 = 1	–	–	1	×	0/1	–	×
	(TO01)	Output		–	–	0	0	×	–	×
P125	P125 ^{Note 1}	Input	–	–	–	–	×	0/1	–	–
	KR1 ^{Note 1}	Input	–	–	–	–	×	0/1	–	–
	RESET ^{Note 2}	Input	–	–	–	–	×	0/1	–	–
P137	P137	Input	–	–	–	–	×	–	–	–
	TI00	Input	–	–	–	–	×	–	–	–
	INTP0	Input	–	–	–	–	×	–	–	–

Notes 1. PORTSELB = 0 (option byte 000C1H)

2. PORTSELB = 1 (option byte 000C1H)

Table 4-6. Examples of Register And Output Latch Settings With Pin Functions (R7F0C808, R7F0C809) (1/4)

Pin	Function		PIOR	POMz	PMCz	PMn	Pm	PUy	PDz	Alternate Function Output	
	Name	I/O								SAU Output Function	Non-SAU
P00	P00	Input	–	x	–	1	x	0/1	–	x	–
		Output	–	0	–	0	0/1	x	–	(SCK00) = 1	–
		P-ch open-drain output	–	1	–	0	0/1	x	–		–
	INTP5	Input	–	x	–	1	x	0/1	–	x	–
	(KR0)	Input	PIOR3 = 1	x	–	1	x	0/1	–	x	–
	(SCK00)	Input	PIOR4 = 1	x	–	1	x	0/1	–	x	–
Output		PIOR4 = 1	0	–	0	1	x	–	x	–	
P01	P01	Input	–	x	–	1	x	0/1	–	x	x
		Output	–	0	–	0	0/1	x	–	(TXD0/SO00) = 1	x
		P-ch open-drain output	–	1	–	0	0/1	x	–	(TXD0/SO00) = 1	x
	INTP4	Input	–	x	–	1	x	0/1	–	x	x
	(SO00)	Output	PIOR4 = 1/ PIOR5 = 1	0	–	0	1	x	–	x	x
	(TXD0)	Output		0	–	0	1	x	–	x	x
P02	P02	Input	–	x	–	1	x	0/1	–	–	–
		Output	–	0	–	0	0/1	x	–	–	–
		P-ch open-drain output	–	1	–	0	0/1	x	–	–	–
P03	P03	Input	–	x	–	1	x	0/1	–	–	–
		Output	–	0	–	0	0/1	x	–	–	–
		P-ch open-drain output	–	1	–	0	0/1	x	–	–	–
P04	P04	Input	–	x	–	1	x	0/1	–	–	–
		Output	–	0	–	0	0/1	x	–	–	–
		P-ch open-drain output	–	1	–	0	0/1	x	–	–	–
P05	P05	Input	–	x	–	1	x	0/1	–	–	–
		Output	–	0	–	0	0/1	x	–	–	–
		P-ch open-drain output	–	1	–	0	0/1	x	–	–	–

Table 4-6. Examples of Register And Output Latch Settings With Pin Functions (R7F0C808, R7F0C809) (2/4)

Pin	Function		PIOR	POMz	PMCz	PMn	Pm	PUy	PDz	Alternate Function Output	
	Name	I/O								SAU Output Function	Non-SAU
P06	P06	Input	–	x	–	1	x	0/1	0/1	x	–
		Output	–	0	–	0	0/1	x	x	SO00/TXD0 = 1	–
		N-ch open-drain output	–	1	–	0	0/1	x	x		–
	SO00	Output	PIOR4 = 0/ PIOR5 = 0	0/1	–	0	1	x	x	x	–
	TXD0	Output	PIOR4 = 0/ PIOR5 = 0/ PIOR6 = 0	0/1	–	0	1	x	x	x	–
	INTP1	Input	PIOR2 = 0	x	–	1	x	0/1	0/1	x	–
P07	P07	Input	–	x	0	1	x	0/1	0/1	–	–
		Output	–	0	0	0	0/1	x	x	–	–
		N-ch open-drain output	–	1	0	0	0/1	x	x	–	–
	ANI0	Input	–	x	1	1	x	x	x	–	–
	SI00	Input	PIOR4 = 0/ PIOR5 = 0	x	0	1	x	0/1	0/1	–	–
	RXD0	Input	PIOR4 = 0/ PIOR5 = 0/ PIOR6 = 0	x	0	1	x	0/1	0/1	–	–
	KR2	Input	–	x	0	1	x	0/1	0/1	–	–
P10	P10	Input	–	x	0	1	x	0/1	0/1	x	x
		Output	–	0	0	0	0/1	x	x	SCK00 = 1	PCLBUZ0 = 0
		N-ch open-drain output	–	1	0	0	0/1	x	x	SCK00 = 1	PCLBUZ0 = 0
	ANI1	Input	–	x	1	1	x	x	x	x	x
	SCK00	Input	PIOR4 = 0/ PIOR5 = 0	x	0	1	x	0/1	0/1	x	x
		Output		0/1	0	0	1	x	x	x	PCLBUZ0 = 0
	PCLBUZ0	Output	PIOR0 = 0	0	0	0	0	x	x	SCK00 = 1	x
KR3	Input	–	x	0	1	x	0/1	0/1	x	x	
P11	P11	Input	–	x	0	1	x	0/1	0/1	–	x
		Output	–	0	0	0	0/1	x	x	–	TO00 = 0
		N-ch open-drain output	–	1	0	0	0/1	x	x	–	TO00 = 0
	ANI2	Input	–	x	1	1	x	x	x	–	x
	TO00	Output	–	0	0	0	0	x	x	–	x
	KR4	Input	–	x	0	1	x	0/1	0/1	–	x
	(INTP1)	Input	PIOR2 = 1	x	0	1	x	0/1	0/1	–	x

Table 4-6. Examples of Register And Output Latch Settings With Pin Functions (R7F0C808, R7F0C809) (3/4)

Pin	Function		PIOR	POMz	PMCz	PMn	Pm	PUy	PDz	Alternate Function Output	
	Name	I/O								SAU Output Function	Non-SAU
P12	P12	Input	–	x	0	1	x	0/1	0/1	–	x
		Output	–	0	0	0	0/1	x	x	–	TO01 = 0
		N-ch open-drain output	–	1	0	0	0/1	x	x	–	
	ANI3	Input	–	x	1	1	x	x	x	–	x
	TI01	Input	PIOR1 = 0	x	0	1	x	0/1	0/1	–	x
	TO01	Output		0	0	0	0	x	x	–	x
	KR5	Input	–	x	0	1	x	0/1	0/1	–	x
P13	P13	Input	–	x	0	1	x	0/1	0/1	–	x
		Output	–	0	0	0	0/1	x	x	–	TO03 = 0
		N-ch open-drain output	–	1	0	0	0/1	x	x	–	
	ANI4	Input	–	x	1	1	x	x	x	–	x
	TO03	Output	–	0	0	0	0	x	x	–	x
	KR6	Input	–	x	0	1	x	0/1	0/1	–	x
P14	P14	Input	–	x	0	1	x	0/1	0/1	–	–
		Output	–	0	0	0	0/1	x	x	–	–
		N-ch open-drain output	–	1	0	0	0/1	x	x	–	–
	ANI5	Input	–	x	1	1	x	x	x	–	–
	TI03	Input	–	x	0	1	x	0/1	0/1	–	–
	INTP3	Input	–	x	0	1	x	0/1	0/1	–	–
P15	P15	Input	–	x	0	1	x	0/1	0/1	–	–
		Output	–	0	0	0	0/1	x	x	–	–
		N-ch open-drain output	–	1	0	0	0/1	x	x	–	–
	ANI6	Input	–	x	1	1	x	x	x	–	–
	INTP2	Input	–	x	0	1	x	0/1	0/1	–	–
P16	P16	Input	–	–	0	1	x	0/1	–	x	x
		Output	–	–	0	0	0/1	x	–	(SCK00/TXD0) = 1	TO02 = 0
	TI02	Input	–	–	0	1	x	0/1	–	x	x
	TO02	Output	–	–	0	0	0	x	–	(SCK00/TXD0) = 1	x
	KR7	Input	–	–	0	1	x	0/1	–	x	x
	(TXD0)	Output	PIOR6 = 1	–	0	0	1	x	–	x	TO02 = 0
	(SCK00)	Input	PIOR5 = 1	–	0	1	x	0/1	–	x	x
		Output		–	0	0	1	x	–	x	TO02 = 0
ANI7	Input	–	–	1	1	x	x	–	x	x	

Table 4-6. Examples of Register And Output Latch Settings With Pin Functions (R7F0C808, R7F0C809) (4/4)

Pin	Function		PIOR	POMz	PMCz	PMn	Pm	PUy	PDz	Alternate Function Output	
	Name	I/O								SAU Output Function	Non-SAU
P40	P40	Input	–	–	–	1	×	0/1	–	–	×
		Output	–	–	–	0	0/1	×	–	–	(TO01) = 0 (PCLBUZ0) = 0
	KR0	Input	PIOR3 = 0	–	–	1	×	0/1	–	–	×
	TOOL0	I/O	–	–	–	×	×	×	–	–	×
	(PCLBUZ0)	Output	PIOR0 = 1	–	–	0	0	×	–	–	×
	(TI01)	Input	PIOR1 = 1	–	–	1	×	0/1	–	–	×
	(TO01)	Output	PIOR1 = 1	–	–	0	0	×	–	–	×
P125	P125 ^{Note 1}	Input	–	–	–	–	×	0/1	–	–	–
	KR1 ^{Note 1}	Input	–	–	–	–	×	0/1	–	–	–
	RESET ^{Note 2}	Input	–	–	–	–	×	×	–	–	–
P137	P137	Input	–	–	–	–	×	–	–	–	–
	TI00	Input	–	–	–	–	×	–	–	–	–
	INTP0	Input	–	–	–	–	×	–	–	–	–
	(SI00)	Input	PIOR5 = 0/ PIOR6 = 0	–	–	–	×	–	–	–	–
	(RXD0)	Input	PIOR4 = 0/ PIOR5 = 0/ PIOR6 = 0	–	–	–	×	–	–	–	–

Notes 1. PORTSELB = 0 (option byte 000C1H)

2. PORTSELB = 1 (option byte 000C1H)

4.6 8-Seg LED Control Example (R7F0C808 and R7F0C809 Only)

4.6.1 Overview

This chapter describes how a 6-digit 8-segment LED is controlled via a port, by using an example. For details about 8-segment LED control, refer to the application note.

Document Name	Document No.
6 位 8 段数码管显示应用说明	R01AN2005CC0100_R7F0C809
按键扫描配合 4 位 8 段数码管显示应用说明	R01AN2006CC0100_R7F0C809
A/D 按键输入配合 4 位 8 段数码管显示应用说明	R01AN2007CC0100_R7F0C809

4.6.2 Hardware connection example

Figure 4-9 shows an example of connecting the P00 to P05 pins to the COM pins that control LED digits, and the P06, P07, and P10 to P15 pins to the SEG pins that control LED segments.

Figure 4-9. Hardware Connection Example

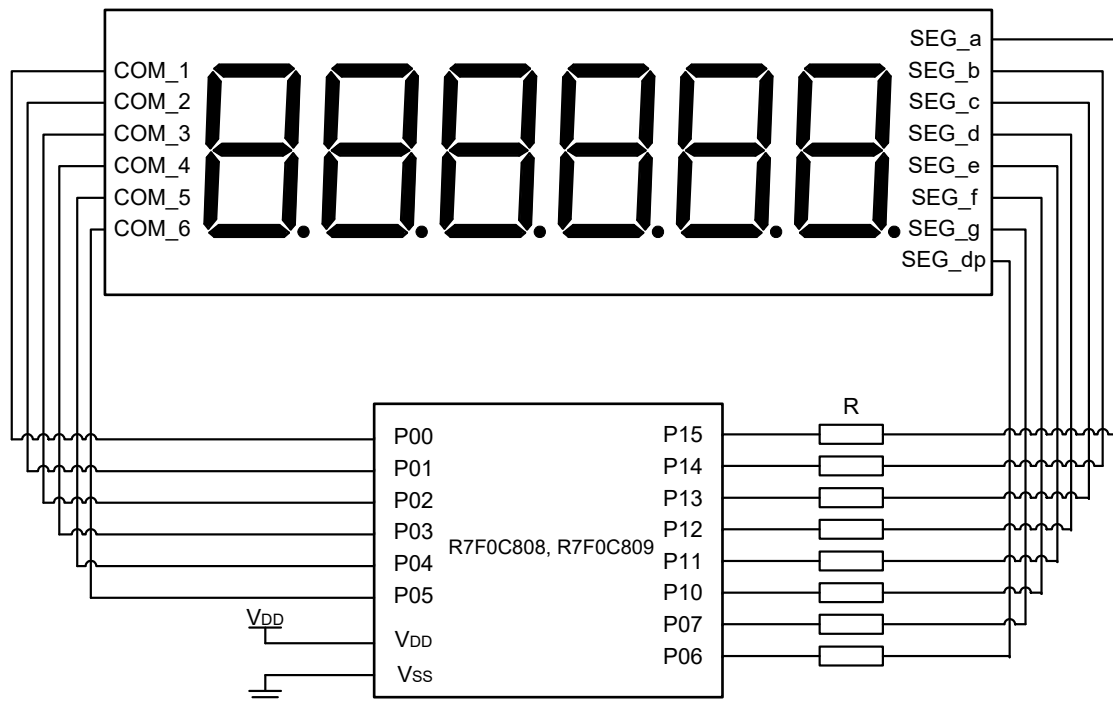
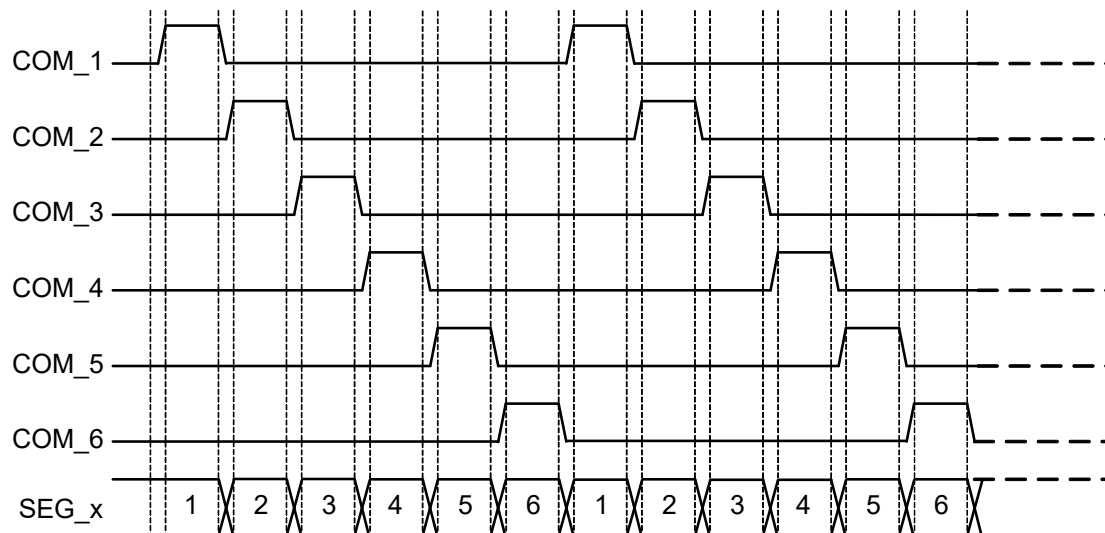


Table 4-7. Pins Used and Their Features (R7F0C808 and R7F0C809 Only)

Pin Name	I/O	Function
P00	Output	COM output 1
P01	Output	COM output 2
P02	Output	COM output 3
P03	Output	COM output 4
P04	Output	COM output 5
P05	Output	COM output 6
P06	Output	SEG output dp
P07	Output	SEG output g
P10	Output	SEG output f
P11	Output	SEG output e
P12	Output	SEG output d
P13	Output	SEG output c
P14	Output	SEG output b
P15	Output	SEG output a

4.6.3 Port output timing

When the level of the output from a port that controls a digit is high and the level of the output from a port that controls a segment is low, the corresponding LED lights.

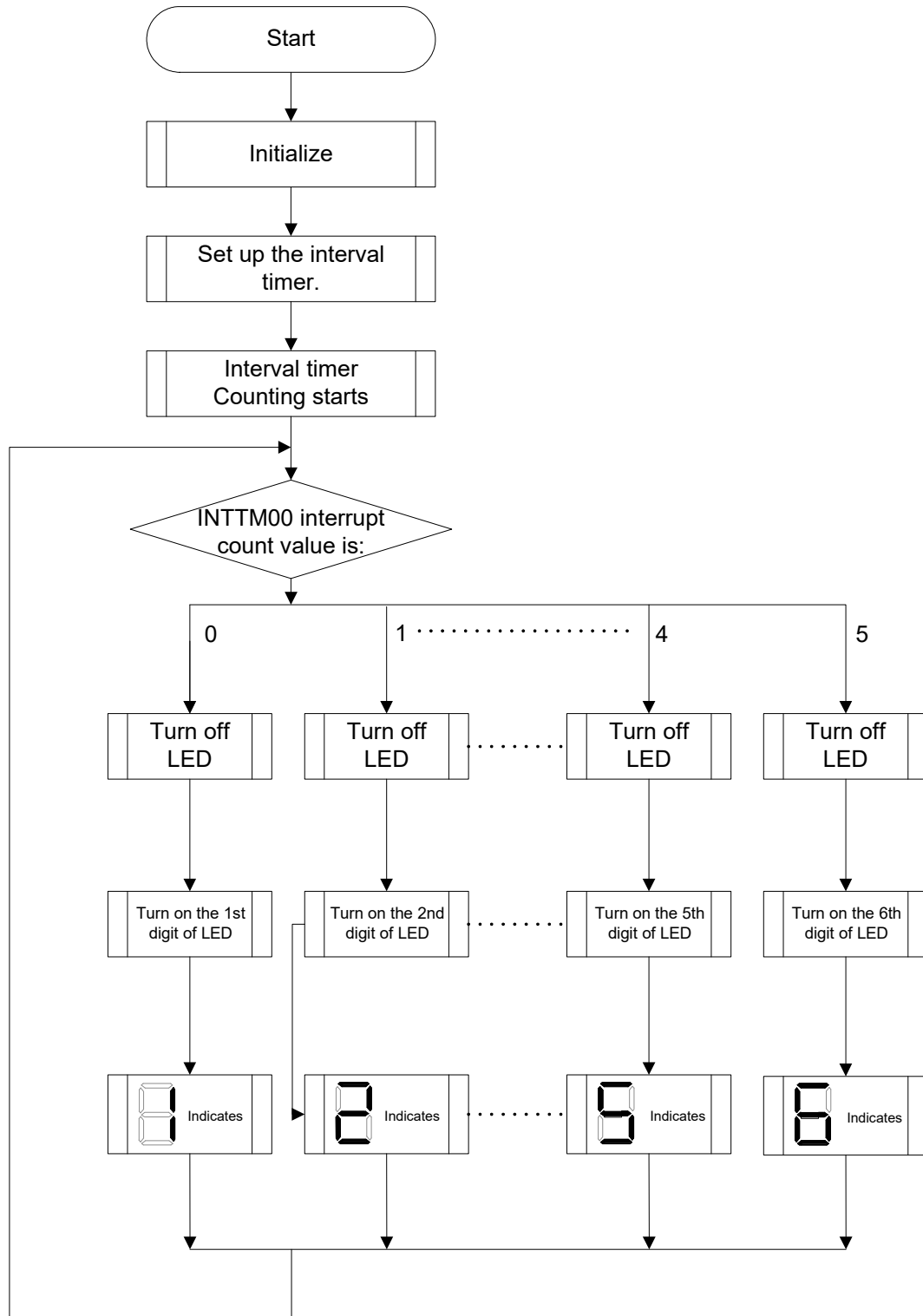
Figure 4-10. Port Output Timing

4.6.4 Flowcharts

Figures 4-11 and 4-12 show the flowchart for a program when using INTTM00 as the interval timer.

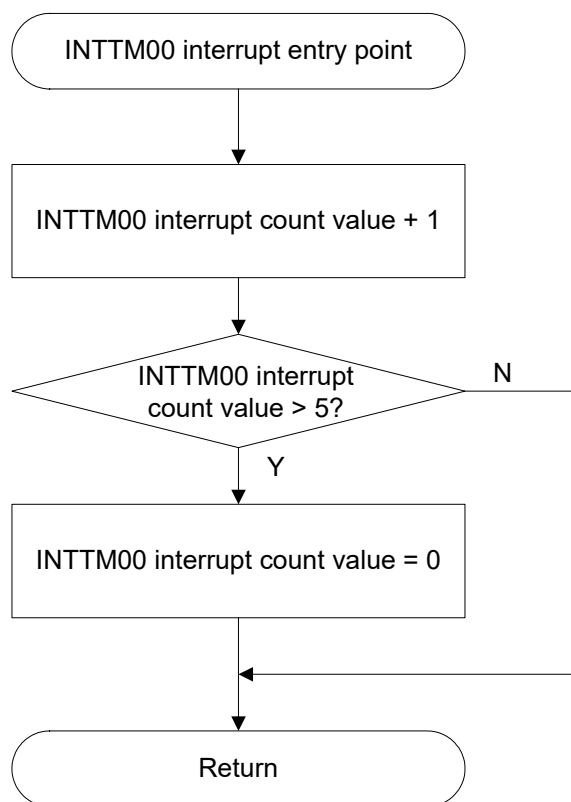
(1) Main function

Figure 4-11. Flowchart of main Function Processing



(2) INTTM00 interrupt processing

Figure 4-12. Flowchart of INTTM00 Interrupt Processing



4.6.5 Register settings

The following describes the settings for the ports that control the LED. After setting these registers, the LED lights to indicate a number corresponding to the P15 to P10 and P07 to P00 pins.

- (1) Clear the PMC07 bit of the PMC0 register to 0 to set the P07 pin to digital I/O mode.

	7	6	5	4	3	2	1	0
PMC0	PMC07 0	1	1	1	1	1	1	1

- (2) Clear the PMC15 to PMC10 bits of the PMC1 register to 0 to set the P15 to P10 pins to digital I/O mode.

	7	6	5	4	3	2	1	0
PMC1	1	PMC16 1	PMC15 0	PMC14 0	PMC13 0	PMC12 0	PMC11 0	PMC10 0

- (3) Set the POM07 to POM00 bits of the POM0 register to 1 to set the P05 to P00 pins to P-ch open-drain output mode and set the P06 and P07 pins to N-ch open-drain output mode (V_{DD} tolerance).

	7	6	5	4	3	2	1	0
POM0	POM07 0	POM06 0	POM05 1	POM04 1	POM03 1	POM02 1	POM01 1	POM00 1

- (4) Set the POM15 to POM10 bits of the POM1 register to 1 to set the P15 to P10 pins to N-ch open-drain output mode (V_{DD} tolerance).

	7	6	5	4	3	2	1	0
POM1	0	0	POM15 1	POM14 1	POM13 1	POM12 1	POM11 1	POM10 1

- (5) Clear the PM07 to PM00 bits of the PM0 register to 0 to set the P07 to P00 pins to output mode.

	7	6	5	4	3	2	1	0
PM0	PM07 0	PM06 0	PM05 0	PM04 0	PM03 0	PM02 0	PM01 0	PM00 0

- (6) Clear the PM15 to PM10 bits of the PM1 register to 0 to set the P15 to P10 pins to output mode.

	7	6	5	4	3	2	1	0
PM1	1	PM16 1	PM15 0	PM14 0	PM13 0	PM12 0	PM11 0	PM10 0

4.7 Cautions When Using Port Function

4.7.1 Cautions on 1-bit manipulation instruction for port register n (Pn)

When a 1-bit manipulation instruction is executed on a port that provides both input and output functions, the output latch value of an input port that is not subject to manipulation may be written in addition to the targeted bit.

Therefore, it is recommended to rewrite the output latch when switching a port from input mode to output mode.

Example When P00 is an output port, P01 to P07 are input ports (all pin statuses are high level), and the port latch value of port 0 is 00H, if the output of output port P00 is changed from low level to high level via a 1-bit manipulation instruction, the output latch value of port 0 is FFH.

Explanation: The targets of writing to and reading from the Pn register of a port whose PMmn bit is 1 are the output latch and pin status, respectively.

A 1-bit manipulation instruction is executed in the following order in the RL78 microcontroller.

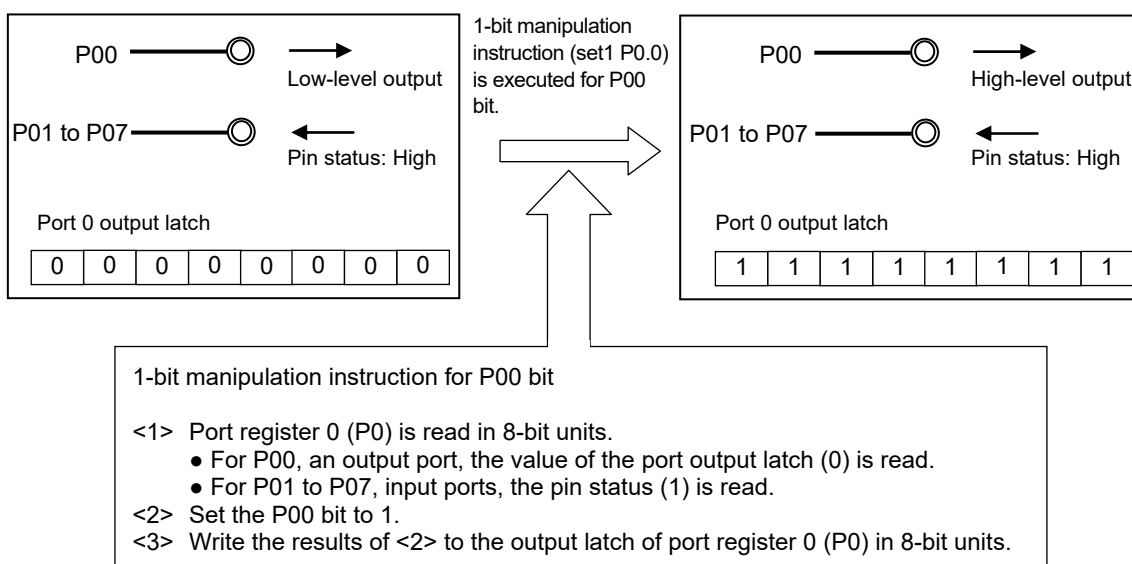
- <1> The Pn register is read in 8-bit units.
- <2> The targeted one bit is manipulated.
- <3> The Pn register is written in 8-bit units.

In step <1>, the output latch value (0) of P00, which is an output port, is read, while the pin statuses of P01 to P07, which are input ports, are read. If the pin statuses of P01 to P07 are high level at this time, the read value is FEH.

The value is changed to FFH by the manipulation in <2>.

FFH is written to the output latch by the manipulation in <3>.

Figure 4-13. Bit Manipulation Instruction (P00)



4.7.2 Notes on specifying the pin settings

For an output pin to which multiple alternate functions are assigned, the output of the unused alternate functions must be set to its initial state so as to prevent conflicting outputs. This also applies to the functions assigned by using the peripheral I/O redirection register (PIOR). For details about the alternate output function, see **4.5 Register Settings When an Alternate Function Is Used**.

No specific setting is required for input pins because the output of their alternate functions is disabled (the buffer output is Hi-Z).

Disabling the unused functions, including blocks that are only used for input or do not have I/O, is recommended for lower power consumption.

CHAPTER 5 CLOCK GENERATOR

5.1 Functions of Clock Generator

The clock generator generates the clock to be supplied to the CPU and peripheral hardware. The following three kinds of system clocks and clock oscillators are selectable.

(1) Main system clock

<1> High-speed on-chip oscillator

The frequency at which to oscillate can be selected from among $f_{IH} = 20/10/5/2.5/1.25$ MHz (TYP.) by using the option byte (000C2H). After a reset release, the CPU always starts operating with this high-speed on-chip oscillator clock. Oscillation can be stopped by executing the STOP instruction.

The frequency specified by using an option byte can be changed by using the high-speed on-chip oscillator frequency select register (HOCODIV). For details about the frequency, see **Figure 5-4 Format of High-Speed On-Chip Oscillator Frequency Selection Register (HOCODIV)**.

The frequencies that can be specified for the high-speed on-chip oscillator by using the option byte and the high-speed on-chip oscillator frequency select register (HOCODIV) are shown below.

Power Supply Voltage	Oscillation Frequency (MHz)				
	1.25	2.5	5	10	20
$2.7\text{ V} \leq V_{DD} \leq 5.5\text{ V}$	√	√	√	√	√
$2.4\text{ V} \leq V_{DD} < 2.7\text{ V}$ ^{Note}	√	√	√	–	–

Note Use this product within the voltage range from 2.57 to 5.5 V because the detection voltage (V_{SPOR}) of the selectable power-on-reset (SPOR) circuit should also be considered.

(2) Low Speed On-chip Oscillator clock

This circuit oscillates a clock of $f_{IL} = 15$ kHz (TYP.).

The low speed on-chip oscillator clock cannot be used as the CPU clock.

Only the following peripheral hardware runs on the low speed on-chip oscillator clock.

- Watchdog timer
- 12-bit interval timer

This clock operates when bit 4 (WDTON) of the option byte (000C0H), bit 4 (WUTMMCK0) of the operation speed mode control register (OSMC), or both are set to 1.

However, when $WDTON = 1$, $WUTMMCK0 = 0$, and bit 0 (WDSTBYON) of the option byte (000C0H) is 0, oscillation of the LOCO stops if the HALT or STOP instruction is executed.

Remark f_{IH} : High-speed on-chip oscillator clock frequency
 f_{IL} : Low speed on-chip oscillator clock frequency

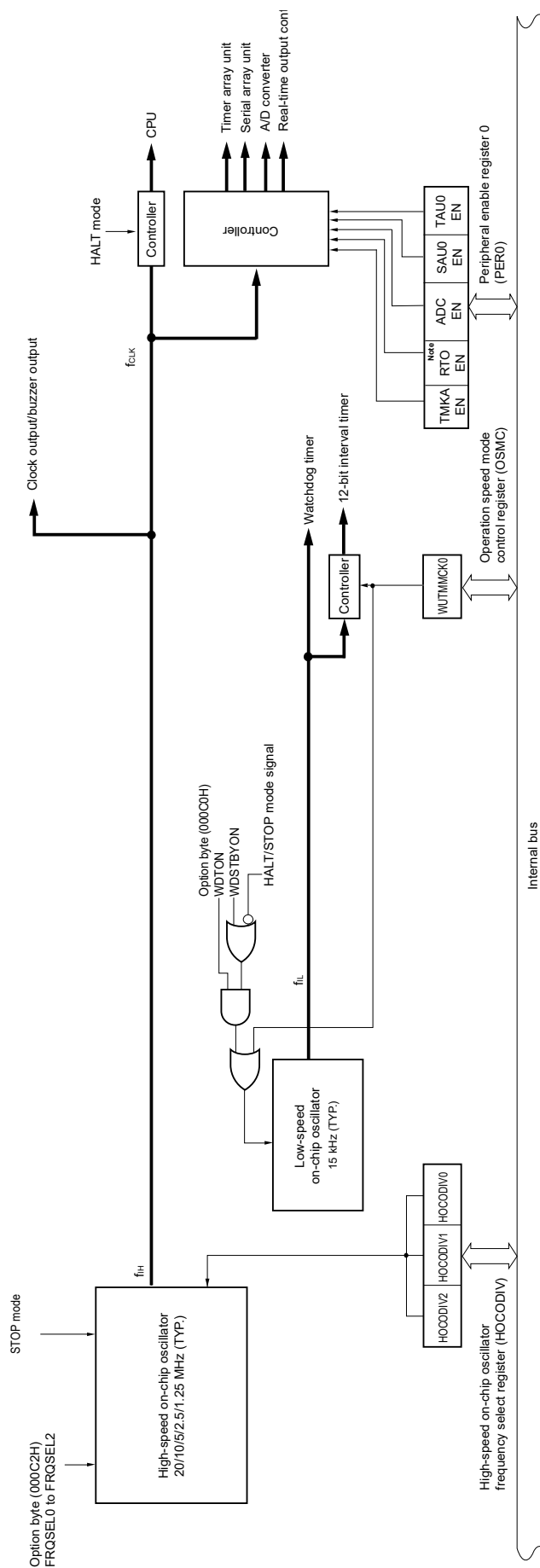
5.2 Configuration of Clock Generator

The clock generator includes the following hardware.

Table 5-1. Configuration of Clock Generator

Item	Configuration
Control registers	Peripheral enable register 0 (PER0) High-speed on-chip oscillator frequency selection register (HOCODIV) Operation speed mode control register (OSMC)
Oscillators	High-speed on-chip oscillator Low-speed on-chip oscillator

Figure 5-1. Block Diagram of Clock Generator



Note R7F0C806 and R7F0C807 products only.

Remark f_{IH} : High-speed on-chip oscillator clock frequency
 f_{MAIN} : Main system clock frequency
 f_{CLK} : CPU/peripheral hardware clock frequency
 f_{IL} : Low-speed on-chip oscillator clock frequency

5.3 Registers Controlling Clock Generator

The following registers are used to control the clock generator.

- Peripheral enable register 0 (PER0)
- High-speed on-chip oscillator frequency selection register (HOCODIV)
- Operation speed mode control register (OSMC)

5.3.1 Peripheral enable register 0 (PER0)

This register is used to enable or disable supplying the clock to the peripheral hardware. Clock supply to the hardware that is not used is also stopped so as to decrease the power consumption and noise.

To use the peripheral functions below, which are controlled by this register, set (1) the bit corresponding to each function before specifying the initial settings of the peripheral functions.

- 12-bit Interval timer
- A/D converter
- Real-time output controller^{Note}
- Serial array unit 0
- Timer array unit 0

The PER0 register can be set by a 1-bit or 8-bit memory manipulation instruction.

Reset signal generation clears this register to 00H.

Figure 5-2. Format of Peripheral Enable Register 0 (PER0) (1/2)

Address: F00F0H After reset: 00H R/W

Symbol	<7>	<6>	<5>	4	3	<2>	1	<0>
PER0	TMKAEN	RTOEN ^{Note}	ADCEN	0	0	SAU0EN	0	TAU0EN

TMKAEN	Control of 12-bit interval timer input clock supply
0	Stops input clock supply. <ul style="list-style-type: none"> • SFR used by the 12-bit interval timer cannot be written. • The 12-bit interval timer is in the reset status.
1	Enables input clock supply. <ul style="list-style-type: none"> • SFR used by the 12-bit interval timer can be read and written.

RTOEN	Control of real-time output controller input clock supply
0	Stops input clock supply. <ul style="list-style-type: none"> • SFR used by the real-time output controller cannot be written. • The real-time output controller is in the reset status.
1	Enables input clock supply. <ul style="list-style-type: none"> • SFR used by the real-time output controller can be read and written.

ADCEN	Control of A/D converter input clock supply
0	Stops input clock supply. <ul style="list-style-type: none"> • SFR used by the A/D converter cannot be written. • The A/D converter is in the reset status.
1	Enables input clock supply. <ul style="list-style-type: none"> • SFR used by the A/D converter can be read and written.

Note R7F0C806 and R7F0C807 products only.

Caution Be sure to clear the following bits to 0.

R7F0C806 and R7F0C807 products: Bits 1, 3, and 4

R7F0C808 and R7F0C809 products: Bits 1, 3, 4, and 6

Figure 5-2. Format of Peripheral Enable Register 0 (PER0) (2/2)

Address: F00F0H After reset: 00H R/W

Symbol	<7>	<6>	<5>	4	3	<2>	1	<0>
PER0	TMKAEN	RTOEN ^{Note}	ADCEN	0	0	SAU0EN	0	TAU0EN

SAU0EN	Control of serial array unit input clock supply
0	Stops input clock supply. <ul style="list-style-type: none"> • SFR used by the serial array unit cannot be written. • The serial array unit is in the reset status.
1	Enables input clock supply. <ul style="list-style-type: none"> • SFR used by the serial array unit can be read and written.

TAU0EN	Control of timer array unit input clock supply
0	Stops input clock supply. <ul style="list-style-type: none"> • SFR used by timer array unit cannot be written. • Timer array unit is in the reset status.
1	Enables input clock supply. <ul style="list-style-type: none"> • SFR used by timer array unit can be read and written.

Note R7F0C806 and R7F0C807 products only.**Caution** Be sure to clear the following bits to 0.**R7F0C806 and R7F0C807 products: Bits 1, 3, and 4****R7F0C808 and R7F0C809 products: Bits 1, 3, 4, and 6**

5.3.2 Operation speed mode control register (OSMC)

The OSMC register can be used to control supply of the operation clock for the 12-bit interval timer.

When operating the 12-bit interval timer, set WUTMMCK0 = 1 beforehand and do not set WUTMMCK0 = 0 until the timer is stopped.

The OSMC register can be set by an 8-bit memory manipulation instruction.

Reset signal generation clears this register to 00H.

Figure 5-3. Format of Operation Speed Mode Control Register (OSMC)

Address: F00F3H After reset: 00H R/W

Symbol	7	6	5	4	3	2	1	0
OSMC	0	0	0	WUTMMCK0	0	0	0	0

WUTMMCK0	Supply of operation clock for 12-bit interval timer
0	Stops Clock supply
1	Low-speed on-chip oscillator clock (f _{IL}) supply

5.3.3 High-speed on-chip oscillator frequency selection register (HOCODIV)

This register is used to change the frequency of the high-speed on-chip oscillator clock set with the option byte (000C2H).

HOCODIV can be set by an 8-bit memory manipulation instruction.

Reset signal generation clears this register to the value set by FRQSEL2 to FRQSEL0 of the option byte (000C2H).

Figure 5-4. Format of High-Speed On-Chip Oscillator Frequency Selection Register (HOCODIV)

Address: F00A8H After reset: value set by FRQSEL2 to FRQSEL0 of the option byte (000C2H) R/W

Symbol	7	6	5	4	3	2	1	0
HOCODIV	0	0	0	0	0	HOCODIV 2	HOCODIV 1	HOCODIV 0

HOCODIV 2	HOCODIV 1	HOCODIV 0	High-speed on-chip oscillator clock frequency selection
0	0	1	20 MHz
0	1	0	10 MHz
0	1	1	5 MHz
1	0	0	2.5 MHz
1	0	1	1.25 MHz
Other than above			Setting prohibited

- Cautions**
1. Set the HOCODIV register within the operable voltage range before and after the frequency change.
 2. After the frequency is changed with the HOCODIV register, the frequency is switched after the following transition time has elapsed.
 - Operation for up to three clocks at the pre-change frequency
 - CPU/peripheral hardware clock wait at the post-change frequency for up to three clocks

5.4 System Clock Oscillator

5.4.1 High-speed on-chip oscillator

The high-speed on-chip oscillator is incorporated in the R7F0C806-809. The frequency can be selected from among 20, 10, 5, 2.5, or 1.25 MHz by using the option byte (000C2H). The high-speed on-chip oscillator automatically starts oscillating after reset release.

5.4.2 Low-speed on-chip oscillator

The low-speed on-chip oscillator is incorporated in the R7F0C808-809.

The low-speed on-chip oscillator clock is used only as the watchdog timer and 12-bit interval timer clock. The low-speed on-chip oscillator clock cannot be used as the CPU clock.

The low-speed on-chip oscillator runs while the watchdog timer is operating or when bit 4 (WUTMMCK0) in the operation speed mode control register (OSMC) is set to 1.

The low-speed on-chip oscillator is stopped when the watchdog timer is stopped and WUTMMCK0 is set to 0.

5.5 Clock Generator Operation

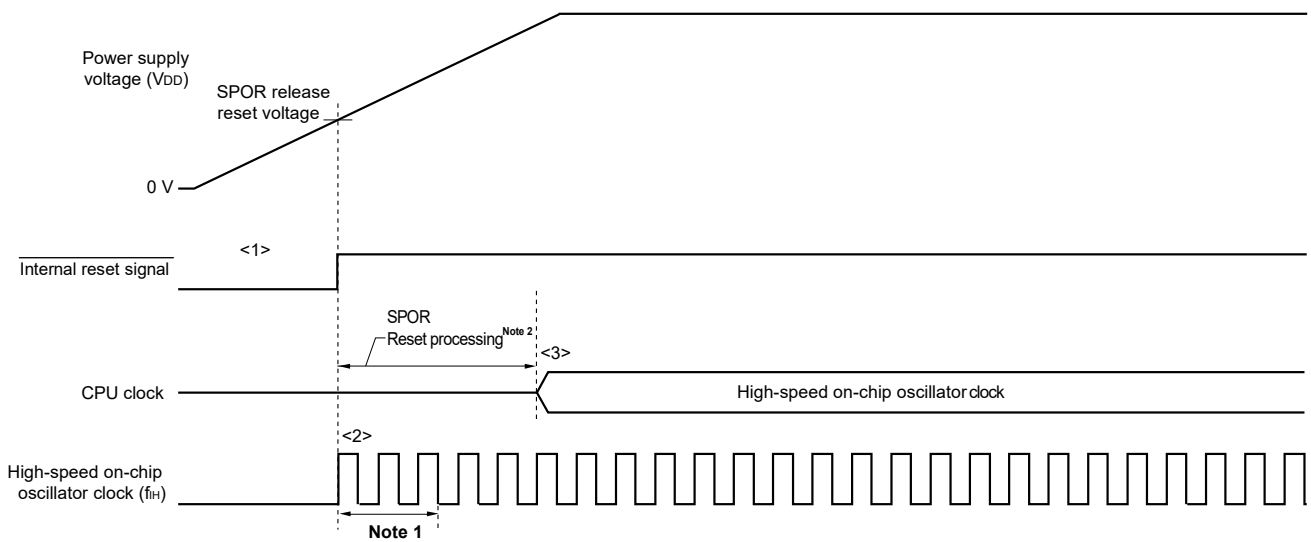
The clock generator generates the following clocks and controls the operation modes of the CPU, such as standby mode (see **Figure 5-1**).

- Main system clock f_{MAIN}
 - High-speed on-chip oscillator clock f_{IH}
- Low-speed on-chip oscillator clock f_{IL}
- CPU/peripheral hardware clock f_{CLK}

The CPU starts operation when the high-speed on-chip oscillator starts outputting after a reset release in the R7F0C806-809.

When the power supply voltage is turned on, the clock generator operation is shown in Figure 5-5.

Figure 5-5. Clock Generator Operation When Power Supply Voltage Is Turned On



<1> When the power is turned on, an internal reset signal is generated by the selectable power-on-reset (SPOR) circuit.

<2> When the power supply voltage exceeds detection voltage of the SPOR circuit, the reset is released and the high-speed on-chip oscillator automatically starts oscillation.

<3> The CPU starts operation on the high-speed on-chip oscillator clock after waiting for the voltage to stabilize and an SPOR reset processing have been performed after reset release.

Notes 1. The reset processing time includes the oscillation accuracy stabilization time of the high-speed on-chip oscillator clock.

2. For SPOR reset processing time, see **CHAPTER 17 SELECTABLE POWER-ON-RESET CIRCUIT**.

5.6 Controlling Clock

5.6.1 Example of setting high-speed on-chip oscillator

After a reset release, the CPU/peripheral hardware clock (f_{CLK}) always starts operating with the high-speed on-chip oscillator clock. The frequency of the high-speed on-chip oscillator can be selected by using FRQSEL0 to FRQSEL2 of the option byte (000C2H). This frequency can be changed with the high-speed on-chip oscillator frequency select register (HOCODIV).

[Option byte setting]

Address: 000C2H

Option byte (000C2H)	7	6	5	4	3	2	1	0
	1	1	1	1	1	FRQSEL2	FRQSEL1	FRQSEL0

FRQSEL2	FRQSEL1	FRQSEL0	Frequency of the high-speed on-chip oscillator
0	0	1	20 MHz
0	1	0	10 MHz
0	1	1	5 MHz
1	0	0	2.5 MHz
1	0	1	1.25 MHz
Other than above			Setting prohibited

[High-speed on-chip oscillator frequency selection register (HOCODIV) setting]

Address: F00A8H

HOCODIV	7	6	5	4	3	2	1	0
	0	0	0	0	0	HOCODIV 2	HOCODIV 1	HOCODIV 0

HOCODIV 2	HOCODIV 1	HOCODIV 0	Selected frequency
0	0	1	20 MHz
0	1	0	10 MHz
0	1	1	5 MHz
1	0	0	2.5 MHz
1	0	1	1.25 MHz
Other than above			Setting prohibited

- Cautions**
1. Set the HOCODIV register within the operable voltage range before and after the frequency change.
 2. After the frequency is changed with the HOCODIV register, the frequency is switched after the following transition time has elapsed.
 - Operation for up to three clocks at the pre-change frequency
 - CPU/peripheral hardware clock wait at the post-change frequency for up to three clocks

5.6.2 CPU clock status transition diagram

Figure 5-6 shows the CPU clock status transition diagram of this product.

Figure 5-6. CPU Clock Status Transition Diagram

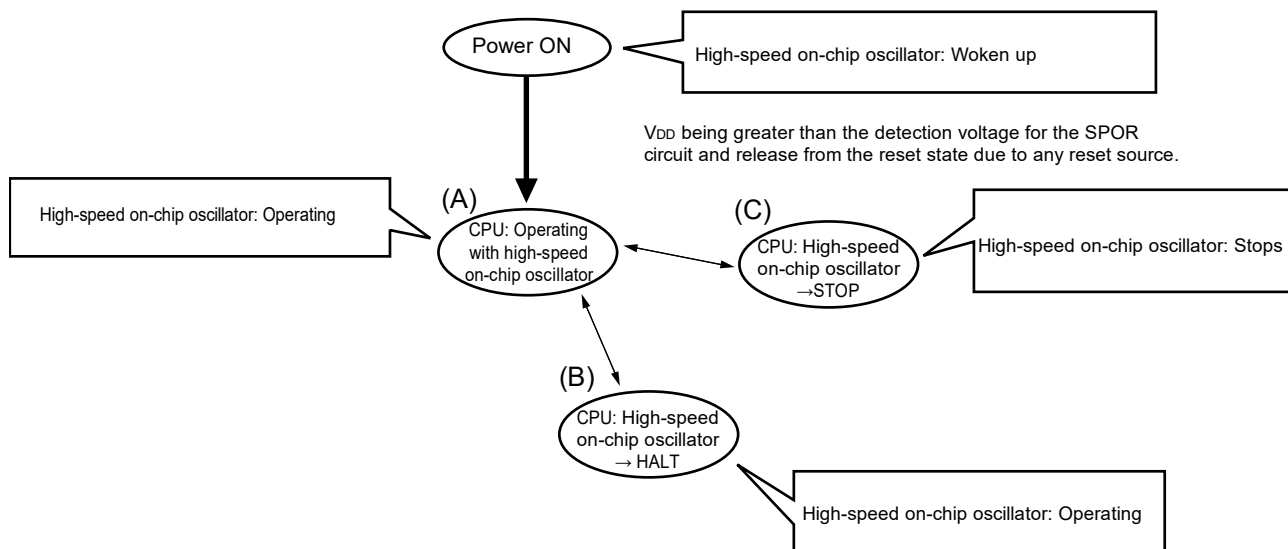


Table 5-2 shows transition of the CPU clock and examples of setting the SFR registers.

Table 5-2. CPU Clock Transition and SFR Register Setting Examples (1/3)

(1) • HALT mode (B) set while CPU is operating with high-speed on-chip oscillator clock (A)

Status Transition	Setting
(A) → (B)	Executing HALT instruction

(2) • STOP mode (C) set while CPU is operating with high-speed on-chip oscillator clock (A)

(Setting sequence) →

Status Transition	Setting	
(A) → (C)	Stopping peripheral functions that cannot operate in STOP mode	Executing STOP instruction

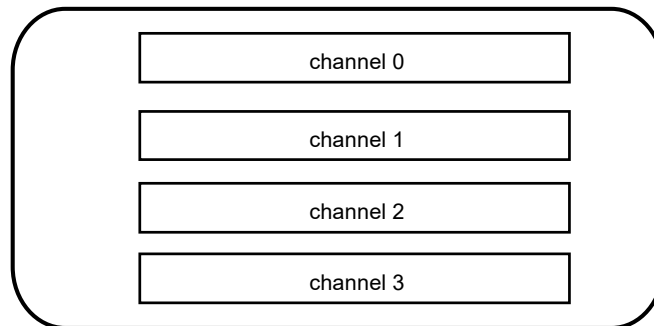
Remark (A) to (C) in Table 5-2 correspond to (A) to (C) in Figure 5-6.

CHAPTER 6 TIMER ARRAY UNIT

The number of units or channels of the timer array unit is four channels.

The timer array unit has four 16-bit timers.

Each 16-bit timer is called a channel and can be used as an independent timer. In addition, two or more “channels” can be used in combination to create a high-accuracy timer.

TIMER ARRAY UNIT

For details about each function, see the table below.

Independent Channel Operation Function	Simultaneous Channel Operation Function
<ul style="list-style-type: none"> ● Interval timer (→ see 6.8.1) ● Square wave output (→ see 6.8.1) ● External event counter (→ see 6.8.2) ● Divider function (→ see 6.8.3) ● Input pulse interval measurement (→ see 6.8.4) ● Measurement of high-/low-level width of input signal (→ see 6.8.5) ● Delay counter (→ see 6.8.6) 	<ul style="list-style-type: none"> ● One-shot pulse output (→ see 6.9.1) ● Two-channel input with one-shot pulse output function (→ see 6.9.2) ● PWM output function (→ see 6.9.3) ● Multiple PWM output function (→ see 6.9.4)

It is possible to use the 16-bit timer of channels 1 and 3 as two 8-bit timers (higher and lower). The functions that can use channels 1 and 3 as 8-bit timers are as follows:

- Interval timer (higher and lower 8-bit timers)
- Square wave output (lower 8-bit timer only)
- External event counter (lower 8-bit timer only)
- Delay counter (lower 8-bit timer only)
- PWM output function (lower 8-bit timer only)
- Multiple PWM output function (lower 8-bit timer only)

Interlinked operation of channel 1 with the serial array unit operating as UART0 can be obtained by setting the ISC register. The input pulse interval measurement mode can then be used to measure the width at the baud rate of the other party in communications and make the required adjustments in response.

6.1 Functions of Timer Array Unit

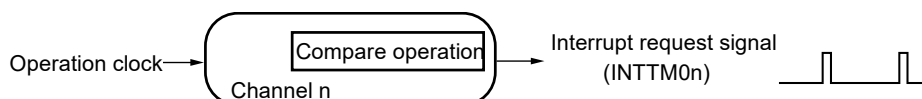
Timer array unit has the following functions.

6.1.1 Independent channel operation function

By operating a channel independently, it can be used for the following purposes without being affected by the operation mode of other channels.

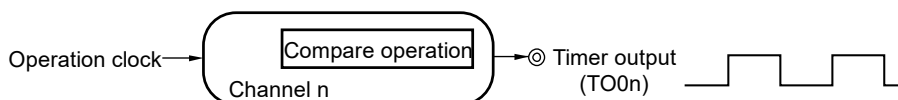
(1) Interval timer

Each timer of a unit can be used as a reference timer that generates an interrupt (INTTM0n) at fixed intervals.



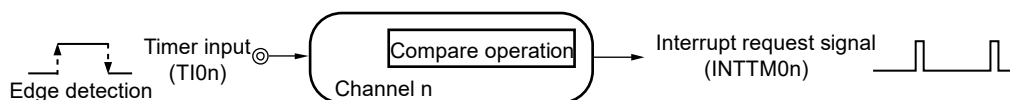
(2) Square wave output

A toggle operation is performed each time INTTM0n interrupt is generated and a square wave with a duty factor of 50% is output from a timer output pin (TO0n).



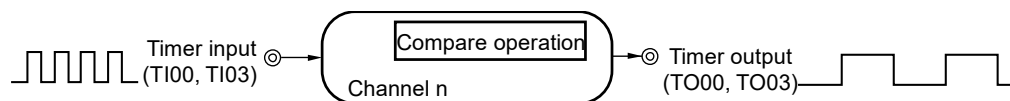
(3) External event counter

Each timer of a unit can be used as an event counter that generates an interrupt when the number of the valid edges of a signal input to the timer input pin (TI0n) has reached a specific value.



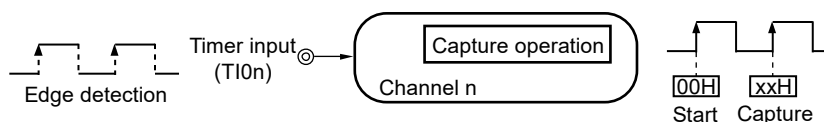
(4) Divider function (channels 0 and 3 only)

A clock input from a timer input pin (TI00, TI03) is divided and output from an output pin (TO00, TO03).



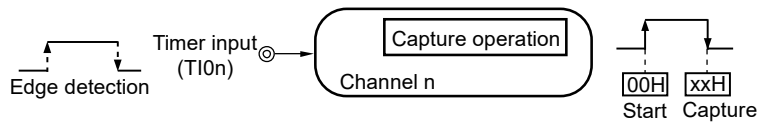
(5) Input pulse interval measurement

Counting is started by the valid edge of a pulse signal input to a timer input pin (TI0n). The count value of the timer is captured at the valid edge of the next pulse. In this way, the interval of the input pulse can be measured.

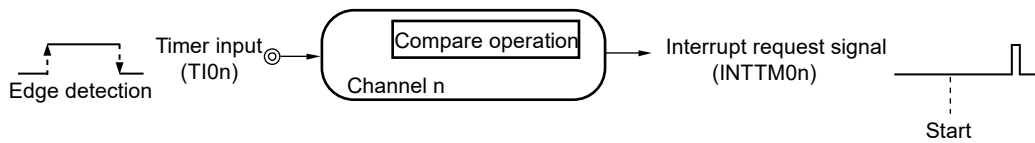


(6) Measurement of high-/low-level width of input signal

Counting is started by a single edge of the signal input to the timer input pin (TI0n), and the count value is captured at the other edge. In this way, the high-level or low-level width of the input signal can be measured.

**(7) Delay counter**

Counting is started at the valid edge of the signal input to the timer input pin (TI0n), and an interrupt is generated after any delay period.



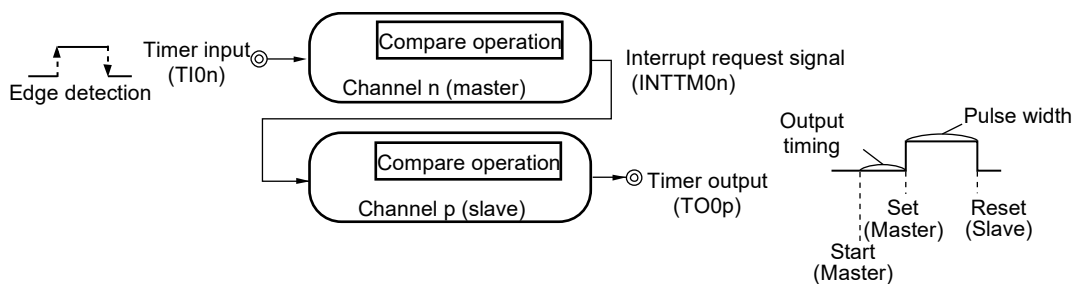
Remark n: Channel number (n = 0 to 3)

6.1.2 Simultaneous channel operation function

By using the combination of a master channel (a reference timer mainly controlling the cycle) and a slave channel (a timer operating according to the master channel), channels can be used for the following purposes.

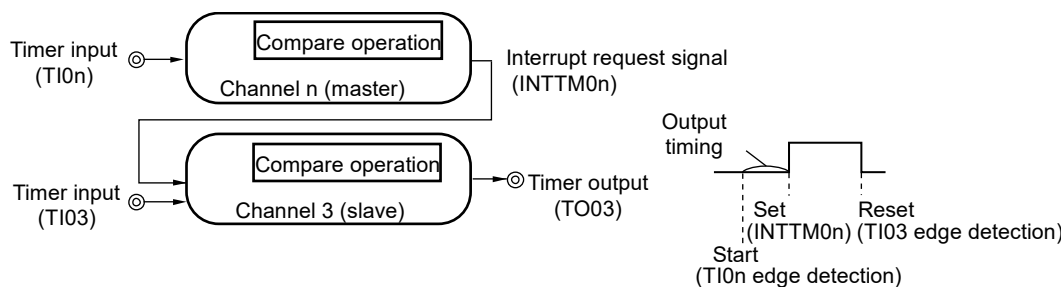
(1) One-shot pulse output

Two channels are used as a set to generate a one-shot pulse with a specified output timing and a specified pulse width.



(2) Two-channel input with one-shot pulse output function

Two channels are used as a set to generate any one-shot pulse by setting or resetting the timer output pin (TO03) at a valid edge of the timer input pin (TI0n, TI03) input.

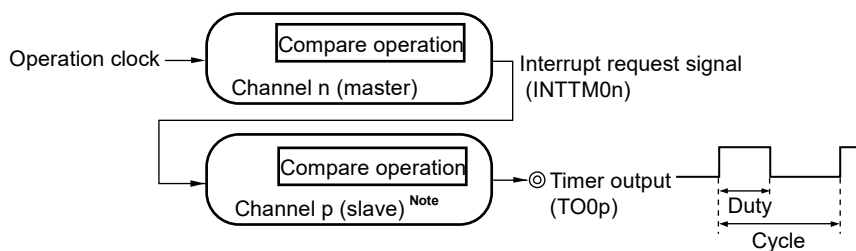


Caution There are several rules for using the simultaneous channel operation function.
For details, see 6.4.1 Basic rules of simultaneous channel operation function.

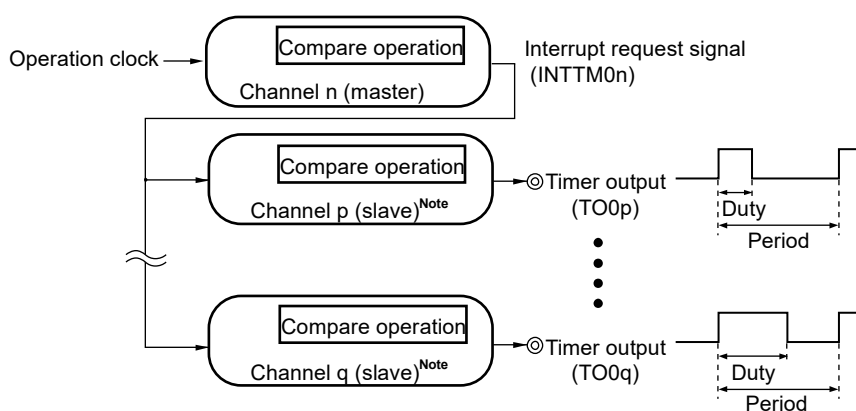
Remark n: Channel number (n = 0 to 3)
p: Slave channel number (0 < p ≤ 3)

(3) PWM (Pulse Width Modulation) output function

Two channels are used as a set to generate a pulse with a specified period and a specified duty factor.

**(4) Multiple PWM (Pulse Width Modulation) output function**

By extending the PWM function and using one master channel and two or more slave channels, up to three types of PWM signals that have a specific period and a specified duty factor can be generated.



Note This operation can be obtained with the lower 8-bit timer of channel 1 or 3.

Caution There are several rules for using the simultaneous channel operation function.
For details, see 6.4.1 Basic rules of simultaneous channel operation function.

Remark n: Channel number (n = 0 to 3)
p, q: Slave channel number (0 < p < q ≤ 3)

6.1.3 8-bit timer operation function (channels 1 and 3 only)

The 8-bit timer operation function makes it possible to use a 16-bit timer in a configuration consisting of two 8-bit timers (higher and lower).

The 16-bit timer channels 1 and 3 support the following functions as 8-bit timer operation.

- Interval timer (higher and lower 8-bit timers)
- Square wave output (lower 8-bit timer only)
- External event counter (lower 8-bit timer only)
- Delay counter (lower 8-bit timer only)
- PWM output function (lower 8-bit timer only)
- Multiple PWM output function (lower 8-bit timer only)

Caution There are several rules for using 8-bit timer operation function.

For details, see 6.4.2 Basic rules of 8-bit timer operation function (only channels 1 and 3).

6.2 Configuration of Timer Array Unit

Timer array unit includes the following hardware.

Table 6-1. Configuration of Timer Array Unit

Item	Configuration
Timer/counter	Timer counter register 0n (TCR0nH, TCR0nL)
Register	Timer data register 0n (TDR0nH, TDR0nL)
Timer input	TI00 to TI03
Timer output	TO00 to TO03, output controller
Control registers	<p><Registers of unit setting block></p> <ul style="list-style-type: none"> • Peripheral enable register 0 (PER0) • Timer clock select register 0 (TPS0) • Timer channel enable status register 0 (TE0, TEH0) • Timer channel start register 0 (TS0, TSH0) • Timer channel stop register 0 (TT0, TTH0) • Timer output enable register 0 (TOE0) • Timer output register 0 (TO0) • Timer output level register 0 (TOL0) • Timer output mode register 0 (TOM0) <p><Registers of each channel></p> <ul style="list-style-type: none"> • Timer mode register 0n (TMR0nH, TMR0nL) • Timer status register 0n (TSR0n) • Noise filter enable register 1 (NFEN1) • Input switch control register (ISC) • Port mode control register 0 (PMC0) • Port mode register 0, 4 (PM0, PM4) • Port register 0, 4 (P0, P4)

Remark n: Channel number (n = 0 to 3)

Alternate port for timer I/O of the timer array unit channels varies depending on products.

Table 6-2. Timer I/O Pins in the Products

Timer Array Unit Channel	I/O Pins of Each Products
Channel 0	P03/TO00, P137/TI00
Channel 1	P04/TI01/TO01, (P40/TI01/TO01)
Channel 2	P05/TI02/TO02
Channel 3	P41/TI03, P07/TO03

- Remarks**
1. If a pin is to be used for both timer input and timer output, it can be used only for timer input or timer output.
 2. -: Not supported
 3. The pin names in parentheses indicate function-multiplexed ports while PIOR0 bit in the peripheral I/O redirection register is set to 1.

Figures 6-1 and 6-2 show the block diagrams of the timer array unit.

Figure 6-1. Entire Configuration of Timer Array Unit

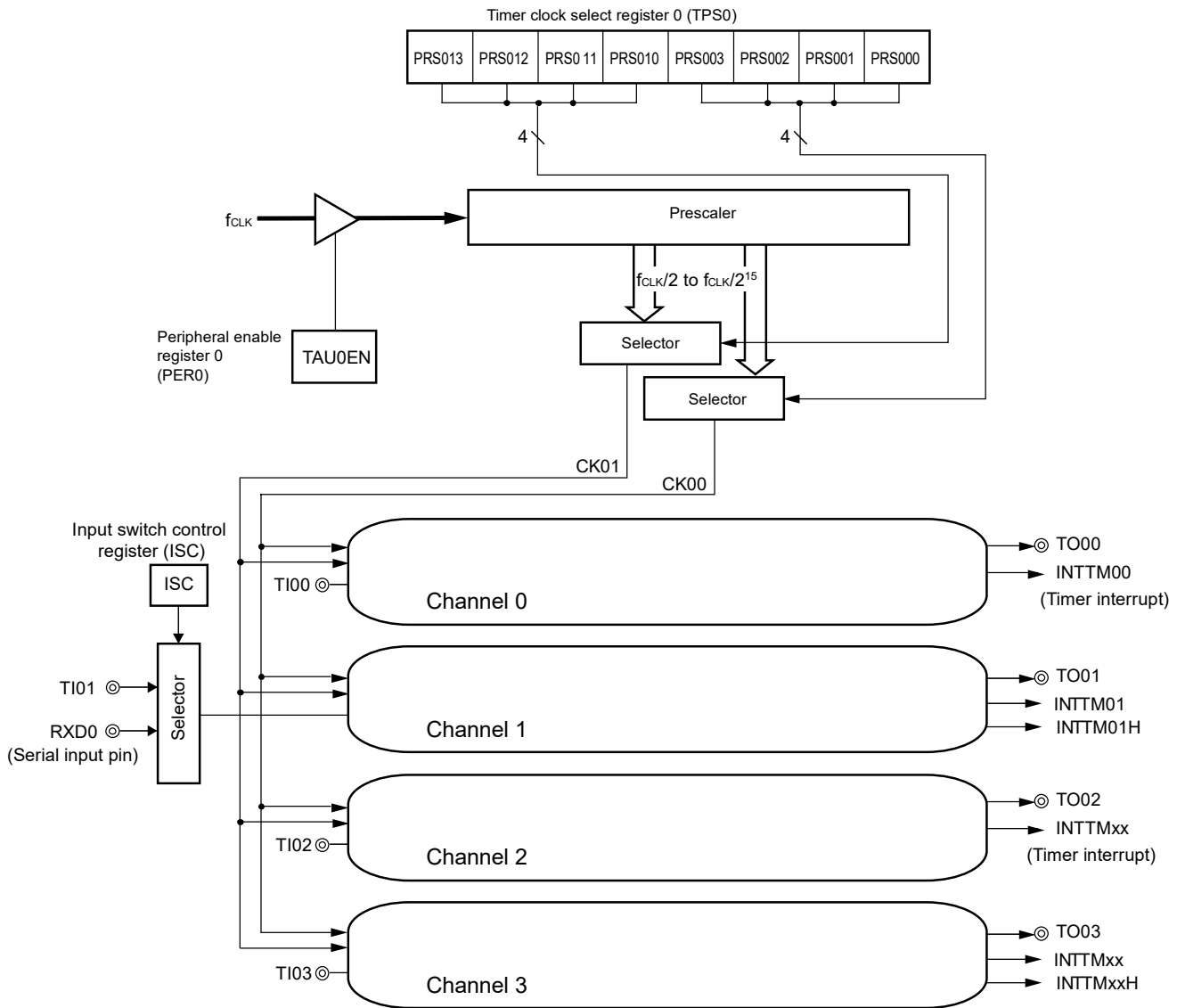
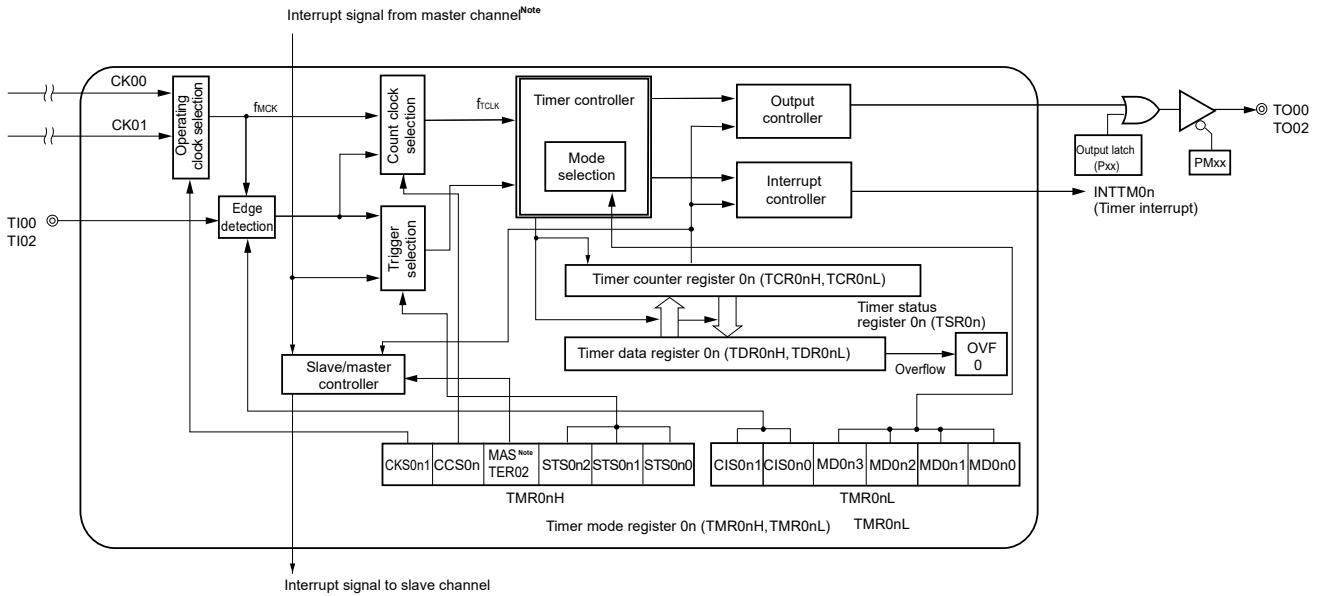


Figure 6-2. Internal Block Diagram of Channel of Timer Array Unit

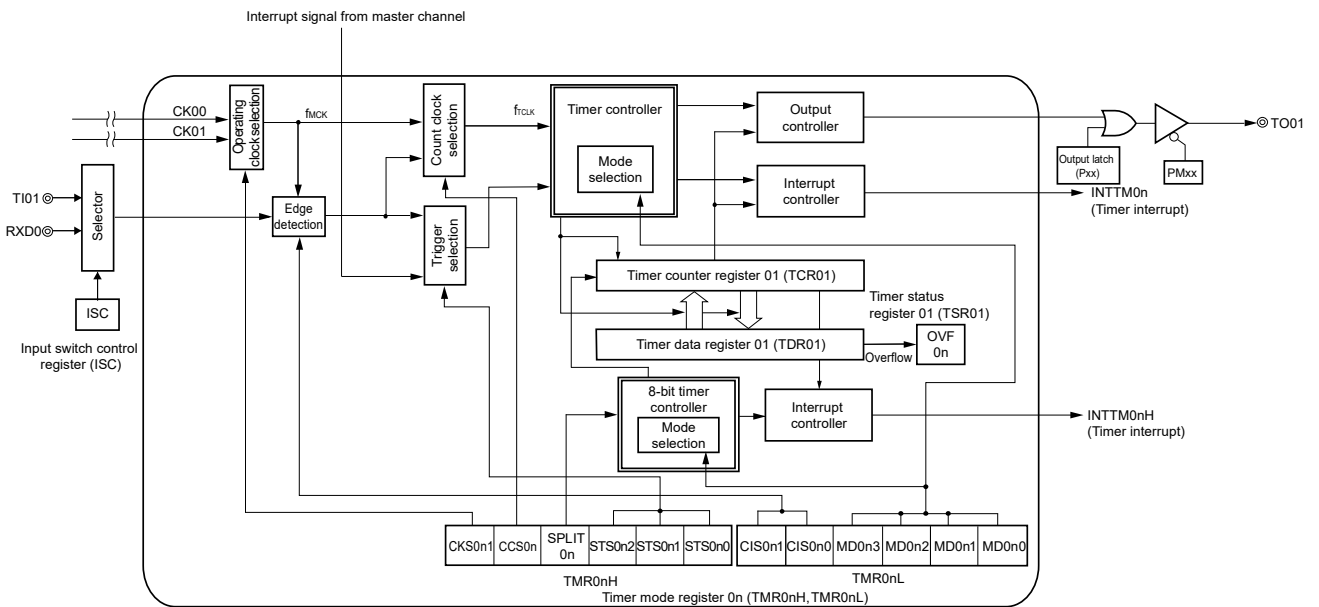
(a) Channels 0 and 2



Note Channel 2 only.

Remark n = 0, 2

(b) Channels 1, 3



Remark n = 1, 3

6.2.1 Timer counter register 0n (TCR0n)

TCR0n register consists of two 8-bit read-only registers (TCR0nH and TCR0nL) and is used to count clocks (f_{CLK}).

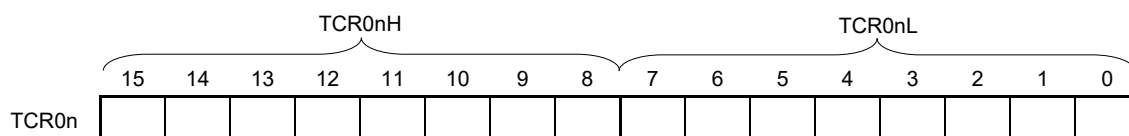
When data is read from the TCR0n register, the TCR0nH and TCR0nL registers must be accessed consecutively.

The value of this counter is incremented or decremented in synchronization with the rising edge of a count clock (f_{CLK}).

Whether the counter is incremented or decremented depends on the operation mode that is selected by the MD0n3 to MD0n0 bits of timer mode register 0n (TMR0n) (see 6.3.3 Timer mode register 0n (TMR0n)).

Figure 6-3. Format of Timer Counter Register 0n (TCR0n) (n = 0 to 3)

Address: F0180H (TCR00L), F0181H (TCR00H) After reset: FFH R
 : F0182H (TCR01L), F0183H (TCR01H)
 : F0184H (TCR02L), F0185H (TCR02H)
 : F0186H (TCR03L), F0187H (TCR03H)



Remark n: Channel number (n = 0 to 3)

Reading from the TCR0nH and TCR0nL registers must be performed successively, in order of the TCR0nL register and the TCR0nH register. If data are read from TCR0nL between the successive read, reading is not performed correctly.

Caution Consecutive reading from the TCR0nH and TCR0nL registers must be performed in the state where an interrupt is disabled by the DI instruction.

The count value can be read by reading timer counter register 0n (TCR0n).

The count value is set to FFFFH in the following cases.

- When the reset signal is generated
- When the TAU0EN bit of peripheral enable register 0 (PER0) is cleared
- When counting of the slave channel has been completed in the PWM output mode
- When counting has been completed in the delay count mode
- When counting of the master/slave channel has been completed in the one-shot pulse output mode
- When counting of the slave channel has been completed in the multiple PWM output mode

The count value is cleared to 0000H in the following cases.

- When the start trigger is input in the capture mode
- When capturing has been completed in the capture mode

Cautions 1. The count value is not captured to timer data register 0n (TDR0n) even when the TCR0n register is read.

2. When channels 1 and 3 are used in 8-bit timer mode (SPLIT = 1), it is prohibited to read the TCR01H and TDR01H registers or the TCR03H and TDR03H registers.

The TCR0n register read value differs as follows according to operation mode changes and the operating status.

Table 6-3. Timer Counter Register 0n (TCR0n) Read Value in Various Operation Modes

Operation Mode	Count Mode	Timer Counter Register 0n (TCR0n) Read Value ^{Note}			
		Value if the operation mode was changed after releasing reset	Value if the count operation paused (TT0n = 1)	Value if the operation mode was changed after count operation paused (TT0n = 1)	Value when waiting for a start trigger after one count
Interval timer mode	Count down	FFFFH	Value if stop	Undefined	–
Capture mode	Count up	0000H	Value if stop	Undefined	–
Event counter mode	Count down	FFFFH	Value if stop	Undefined	–
One-count mode	Count down	FFFFH	Value if stop	Undefined	FFFFH
Capture & one-count mode	Count up	0000H	Value if stop	Undefined	Capture value of TDR0n register + 1

Note Following timer operation of channel n being stopped (TE0n = 0), this is the value read from the TCR0n register at the time counter operation is enabled (TS0n = 1). The TCR0n register retains this value until counting starts.

Caution When channels 1 and 3 are used in 8-bit timer mode (SPLIT = 1), it is prohibited to read the TCR01H and TDR01H registers or the TCR03H and TDR03H registers.

Remark n: Channel number (n = 0 to 3)

6.2.2 Timer data register 0n (TDR0n)

The TDR0n register consists of two eight bit registers (TDR0nH, TDR0nL) for which the capture or comparison functions can be selected.

Switching between the capture and comparison functions is by using the MD0n3 to MD0n0 bits of the timer mode register 0n (TMR0n) to select the operating mode.

When using the TDR0n register as a compare register, the value of the TDR0nL and TDR0nH registers can be changed at any time.

For access to a TDR0n register, the TDR0nH and TDR0nL registers must be accessed consecutively.

In eight-bit timer mode (i.e. when the SPLIT0n bit of timer mode register 0n (TMR0n) is set to "1"), the TDR0n register can be rewritten in eight-bit units, with the higher 8 bits used as TDR0nH and the lower 8 bits used as TDR0nL.

The following points for caution apply when data are read from or written to TDR0nH and TDR0nL registers.

- In 16-bit timer mode (when channels 0 and 2 are in use, or bit 3 (SPLIT0n) of the TMR0nH register of channels 1 and 3 is cleared to "0")

Writing to TDR0nH and TDR0nL registers must be performed by writing in a row with data in order of that for the TDR0nH register and that for the TDR0nL register. The values of TDR0nH and TDR0nL are updated when TDR0nL is rewritten.

Reading from the TDR0nH and TDR0nL registers must be performed in a row with data in order of that from the TDR0nL register and that from the TDR0nH register. The value of TDR0nH is updated when TDR0nL is read.

If data are written to TDR0nH, read from TDR0nL, or read from TCR0n between the successive read or successive write operations, reading and writing is not performed correctly.

Consecutive reading from the TDR0nH and TDR0nL registers and consecutive writing to the TDR0nH and TDR0nL registers must be performed in the state where an interrupt is disabled by the DI instruction.

- In 8-bit timer mode (when bit 3 (SPLIT0n) of the TMR0nH register of channel 1 or 3 is set to "1")

The data can be written to the TDR0nH and TDR0nL registers in 8-bit units in 8-bit timer mode.

Reading from TDR0nH register must be performed in a row with data in order of that from the TDR0nL register and that from the TDR0nH register. The value of TDR0nH is updated when TDR0nL is read.

If data are written to TDR0nH, read from TDR0nL, or read from TCR0n between the successive read operations, reading is not performed correctly.

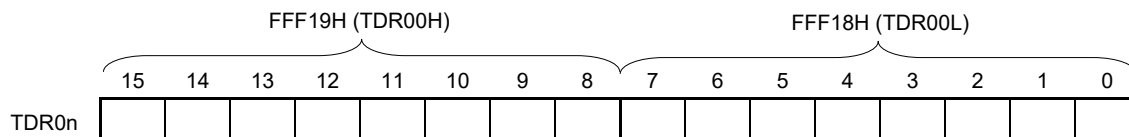
Consecutive reading from the TDR0nH and TDR0nL registers must be performed in the state where an interrupt is disabled by the DI instruction.

Caution When channels 1 and 3 are used in 8-bit timer mode (SPLIT = 1), it is prohibited to read the TCR01H and TDR01H registers or the TCR03H and TDR03H registers.

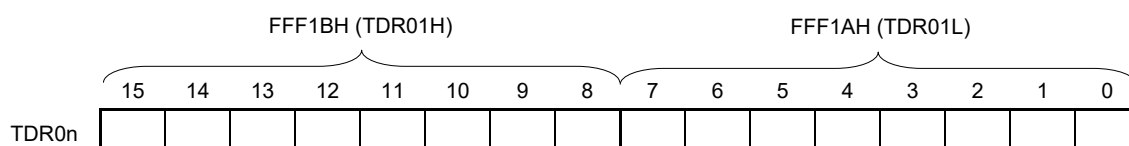
Remark n: Channel number (n = 0 to 3)

Figure 6-4. Format of Timer Data Register 0n (TDR0nH, TDR0nL) (n = 0, 2)

Address: FFF18H (TDR00L), FFF19H (TDR00H), After reset: 00H R/W
 FFF64H (TDR02L), FFF65H (TDR02H)

**Figure 6-5. Format of Timer Data Register 0n (TDR0n) (n = 1, 3)**

Address: FFF1AH (TDR01L), FFF1BH (TDR01H), After reset: 00H R/W
 FFF66H (TDR03L), FFF67H (TDR03H)

**(i) When timer data register 0n (TDR0nH, TDR0nL) is used as compare register**

Counting down is started from the value set to the TDR0nH and TDR0nL registers. When the count value reaches 0000H, an interrupt request signal (INTTM0n) is generated. The TDR0n register holds its value until it is rewritten.

Caution The TDR0n register does not perform a capture operation even if a capture trigger is input, when it is set to the compare function.

(ii) When timer data register 0n (TDR0nH, TDR0nL) is used as capture register

The count value of timer counter register 0n (TCR0n) is captured to the TDR0nH and TDR0nL registers when the capture trigger is input.

A valid edge of the TI0n pin can be selected as the capture trigger. This selection is made by timer mode register 0n (TMR0n).

Remark n: Channel number (n = 0 to 3)

6.3 Registers Controlling Timer Array Unit

Timer array unit is controlled by the following registers.

- Peripheral enable register 0 (PER0)
- Timer clock select register 0 (TPS0)
- Timer channel enable status register 0 (TE0, TEH0)
- Timer channel start register 0 (TS0, TSH0)
- Timer channel stop register 0 (TT0, TTH0)
- Timer output enable register 0 (TOE0)
- Timer output register 0 (TO0)
- Timer output level register 0 (TOL0)
- Timer output mode register 0 (TOM0)
- Timer mode register 0n (TMR0nH, TMR0nL)
- Timer status register 0n (TSR0n)
- Noise filter enable register 1 (NFEN1)
- Input switch control register (ISC)
- Port mode control register 0 (PMC0)
- Port mode register 0, 4 (PM0, PM4)
- Port register 0, 4 (P0, P4)

Remark n: Channel number (n = 0 to 3)

6.3.1 Peripheral enable register 0 (PER0)

This registers is used to enable or disable supplying the clock to the peripheral hardware. Clock supply to a hardware macro that is not used is stopped in order to reduce the power consumption and noise.

When the timer array unit is used, be sure to set bit 0 (TAU0EN) of this register to 1.

The PER0 register can be set by a 1-bit or 8-bit memory manipulation instruction.

Reset signal generation clears this register to 00H.

Figure 6-6. Format of Peripheral Enable Register 0 (PER0)

Address: F00F0H After reset: 00H R/W

Symbol	<7>	<6>	<5>	4	3	<2>	1	<0>
PER0	TMKAEN	RTOEN ^{Note}	ADCEN	0	0	SAU0EN	0	TAU0EN

TAU0EN	Control of timer array unit input clock
0	Stops supply of input clock. <ul style="list-style-type: none"> • SFR used by the timer array unit cannot be written. • The timer array unit is in the reset status.
1	Supplies input clock. <ul style="list-style-type: none"> • SFR used by the timer array unit can be read/written.

Note R7F0C806 and R7F0C807 products only.

Cautions 1. When setting the timer array unit, be sure to set the following registers first while the TAU0EN bit is set to 1. If TAU0EN = 0, the values of the registers which control the timer array unit are cleared to their initial values and writing to them is ignored (except for the noise filter enable register 1 (NFEN1), input switch control register (ISC), port mode registers 0, 4 (PM0, PM4), port registers 0, 4 (P0, P4), and port mode control register 0 (PMC0)).

- Timer counter register 0n (TCR0nH, TCR0nL)
- Timer data register 0n (TDR0nH, TDR0nL)
- Timer clock select register 0 (TPS0)
- Timer channel enable status register 0 (TE0, TEH0)
- Timer channel start register 0 (TS0, TSH0)
- Timer channel stop register 0 (TT0, TTH0)
- Timer output enable register 0 (TOE0)
- Timer output register 0 (TO0)
- Timer output level register 0 (TOL0)
- Timer output mode register 0 (TOM0)
- Timer mode register 0n (TMR0nH, TMR0nL)
- Timer status register 0n (TSR0n)

2. Be sure to clear the following bits to 0.

R7F0C806 and R7F0C807 products: bits 1, 3, 4

R7F0C808 and R7F0C809 products: bits 1, 3, 4, 6

6.3.2 Timer clock select register 0 (TPS0)

The TPS0 register is a 16-bit register that is used to select four types of operation clocks (CK00, CK01) that are commonly supplied to each channel from the prescaler.

Rewriting of the TPS0 register during timer operation is possible only in the following cases.

If the PRS000 to PRS003 bits can be rewritten ($n = 0$ to 3):

All channels for which CK00 is selected as the operation clock ($CKS0n1 = 0$) are stopped ($TE0n = 0$).

If the PRS010 to PRS013 bits can be rewritten ($n = 0$ to 3):

All channels for which CK01 is selected as the operation clock ($CKS0n1 = 1$) are stopped ($TE0n = 0$).

The TPS0 register can be set by a 8-bit memory manipulation instruction.

Reset signal generation clears this register to 00H.

Figure 6-7. Format of Timer Clock Select Register 0 (TPS0)

Address: F01B6H After reset: 00H R/W

Symbol	7	6	5	4	3	2	1	0
TPS0	PRS013	PRS012	PRS011	PRS010	PRS003	PRS002	PRS001	PRS000

PRS 0k3	PRS 0k2	PRS 0k1	PRS 0k0	Selection of operation clock (CK0k) ^{Note} ($k = 0, 1$)					
				$f_{CLK} =$ 1.25 MHz	$f_{CLK} =$ 2.5 MHz	$f_{CLK} =$ 5 MHz	$f_{CLK} =$ 10 MHz	$f_{CLK} =$ 20 MHz	
0	0	0	0	f_{CLK}	1.25 MHz	2.5 MHz	5 MHz	10 MHz	20 MHz
0	0	0	1	$f_{CLK}/2$	625 kHz	1.25 MHz	2.5 MHz	5 MHz	10 MHz
0	0	1	0	$f_{CLK}/2^2$	313 kHz	625 kHz	1.25 MHz	2.5 MHz	5 MHz
0	0	1	1	$f_{CLK}/2^3$	156 kHz	313 kHz	625 kHz	1.25 MHz	2.5 MHz
0	1	0	0	$f_{CLK}/2^4$	78.1 kHz	156 kHz	313 kHz	625 kHz	1.25 MHz
0	1	0	1	$f_{CLK}/2^5$	39.1 kHz	78.1 kHz	156 kHz	313 kHz	625 kHz
0	1	1	0	$f_{CLK}/2^6$	19.5 kHz	39.1 kHz	78.1 kHz	156 kHz	313 kHz
0	1	1	1	$f_{CLK}/2^7$	9.77 kHz	19.5 kHz	39.1 kHz	78.1 kHz	156 kHz
1	0	0	0	$f_{CLK}/2^8$	4.88 kHz	9.77 kHz	19.5 kHz	39.1 kHz	78.1 kHz
1	0	0	1	$f_{CLK}/2^9$	2.44 kHz	4.88 kHz	9.77 kHz	19.5 kHz	39.1 kHz
1	0	1	0	$f_{CLK}/2^{10}$	1.22 kHz	2.44 kHz	4.88 kHz	9.77 kHz	19.5 kHz
1	0	1	1	$f_{CLK}/2^{11}$	610 Hz	1.22 kHz	2.44 kHz	4.88 kHz	9.77 kHz
1	1	0	0	$f_{CLK}/2^{12}$	305 Hz	610 Hz	1.22 kHz	2.44 kHz	4.88 kHz
1	1	0	1	$f_{CLK}/2^{13}$	153 Hz	305 Hz	610 Hz	1.22 kHz	2.44 kHz
1	1	1	0	$f_{CLK}/2^{14}$	76.3 Hz	153 Hz	305 Hz	610 Hz	1.22 kHz
1	1	1	1	$f_{CLK}/2^{15}$	38.1 Hz	76.3 Hz	153 Hz	305 Hz	610 Hz

Note When changing the clock selected for f_{CLK} (by changing the system clock control register (CKC) value), stop timer array unit (TT0 = 0FH, TTH0 = 0AH).

Caution If f_{CLK} (undivided) is selected as the operation clock (CK0k) and TDR0nH and TDR0nL are cleared to 00H ($n = 0$ to 3), the interrupt request signal (INTTM0n) output from timer array units cannot be used.

Remarks

1. f_{CLK} : CPU/peripheral hardware clock frequency
2. The above selected clock, but a signal which becomes high level for one f_{CLK} cycle period from its rising edge. For details, see 6.5.1 Count clock (f_{CLK}).

6.3.3 Timer mode register 0n (TMR0n)

The TMR0n register consists of two eight-bit registers (TMR0nH, TMR0nL) which set an operation mode of channel n. This register is used to select the operation clock (f_{MCK}), select the count clock (f_{CLK}), select the master/slave, select the 16 or 8-bit timer (only for channels 1 and 3), specify the start trigger and capture trigger, select the valid edge of the timer input, and specify the operation mode (interval, capture, event counter, one-count, or capture and one-count).

Rewriting the TMR0nH and TMR0nL registers is prohibited when the register is in operation (when $TE0n = 1$).

The TMR0nH and TMR0nL registers can be set by a 8-bit memory manipulation instruction.

Reset signal generation clears TMR0nH and TMR0nL registers to 00H.

Caution The bits mounted depend on the channels in the bit 3 of TMR0nH register.

TMR02H:	MASTER02 bit
TMR01H, TMR03H:	SPLIT0n bit (n = 1, 3)
TMR01H:	Fixed to 0

Figure 6-8. Format of Timer Mode Register 0n (TMR0n) (1/3)

Address: : F0190H (TMR00L), F0191H (TMR00H) After reset: 00H R/W

: F0192H (TMR01L), F0193H (TMR01H)

: F0194H (TMR02L), F0195H (TMR02H)

: F0196H (TMR03L), F0197H (TMR03H)

Symbol	7	6	5	4	3	2	1	0
TMR00H	CKS001	0	0	CCS00	0	STS002	STS001	STS000

Symbol	7	6	5	4	3	2	1	0
TMR02H	CKS021	0	0	CCS02	MASTER02	STS022	STS021	STS020

Symbol	7	6	5	4	3	2	1	0
TMR0nH (n = 1, 3)	CKS0n1	0	0	CCS0n	SPLIT0n	STS0n2	STS0n1	STS0n0

Symbol	7	6	5	4	3	2	1	0
TMR0nL (n = 0 to 3)	CIS0n1	CIS0n0	0	0	MD0n3	MD0n2	MD0n1	MD0n0

CKS0n1	Selection of operation clock (f_{MCK}) of channel n
0	Operation clock CK00 set by timer clock select register 0 (TPS0)
1	Operation clock CK01 set by timer clock select register 0 (TPS0)
Operation clock (f_{MCK}) is used by the edge detector. A count clock (f_{CLK}) and a sampling clock are generated depending on the setting of the CCS0n bit.	

CCS0n	Selection of count clock (f_{CLK}) of channel n
0	Operation clock (f_{MCK}) specified by the CKS0n1 bit
1	Valid edge of input signal input from the TI0n pin
Count clock (f_{CLK}) is used for the counter, output controller, and interrupt controller.	

Cautions 1. Be sure to clear the following bits to 0.

TMR00H register: bits 3, 5, 6

TMR01H to TMR03H registers: bits 5, 6

TMR00L to TMR03L registers: bits 4, 5

2. The timer array unit must be stopped (TT0 = 0FH, TTH0 = 0AH) if the clock selected for f_{CLK} is changed (by changing the value of the system clock control register (CKC)), even if the operating clock (f_{MCK}) specified by using the CKS0n1 bit or the valid edge of the signal input from the TI0n pin is selected as the count clock (f_{CLK}).

Remark n: Channel number (n = 0 to 3)

Figure 6-8. Format of Timer Mode Register 0n (TMR0n) (2/3)

Symbol	7	6	5	4	3	2	1	0
TMR00H	CKS001	0	0	CCS00	0	STS002	STS001	STS000

Symbol	7	6	5	4	3	2	1	0
TMR02H	CKS021	0	0	CCS02	MASTER02	STS022	STS021	STS020

Symbol	7	6	5	4	3	2	1	0
TMR0nH (n = 1, 3)	CKS0n1	0	0	CCS0n	SPLIT0n	STS0n2	STS0n1	STS0n0

(Bit 3 of TMR02H)

MASTER02	Selection of independent channel operation/simultaneous channel operation (slave/master) of channel n
0	Operates as the slave channel in the independent channel operation function or the simultaneous channel operation function.
1	Operates as the master channel in the simultaneous channel operation function.
Channel 0 or 2 can be set as the master channel. Channel 2 operates as the master channel when bit 3 (MASTER02) in TMR02H is set to 1. Channel 0 operates as the master channel regardless of the setting of bit 3 in TMR00H ^{Note} because channel 0 is highest in the order of channels. For the channel to be used as the independent channel operation function, MASTER02 = 0.	

(Bit 3 of TMR01H and TMR03H)

SPLIT0n	Selection of 8 or 16-bit timer operation for channels 1 and 3 (n = 1, 3)
0	Operates as 16-bit timer.
1	Operates as 8-bit timer.

STS0n2	STS0n1	STS0n0	Setting of start trigger or capture trigger of channel n (n = 0 to 3)
0	0	0	Only software trigger start is valid (other trigger sources are unselected).
0	0	1	Valid edge of the TI0n pin input is used as the start trigger and capture trigger.
0	1	0	Both the edges of the TI0n pin input are used as a start trigger and a capture trigger.
1	0	0	When the channel is used as a slave channel with the one-shot pulse output, PWM output function, or multiple PWM output function: The interrupt request signal of the master channel (INTTM0n) is used as the start trigger.
1	1	0	When the channel is used as a slave channel in two-channel input with one-shot pulse output function: The interrupt request signal of the master channel (INTTM0n) is used as the start trigger. A valid edge of the TI03 pin input of the slave channel is used as the end trigger
Other than above			Setting prohibited

Note Bit 3 of TMR00H register is read-only and its value is fixed to 0. Writing is ignored.

Caution Be sure to clear the following bits to 0.

TMR00H register: bits 3, 5, 6

TMR01H to TMR03H registers: bits 5, 6

Figure 6-8. Format of Timer Mode Register 0n (TMR0n) (3/3)

Symbol	7	6	5	4	3	2	1	0
TMR0nL (n = 0 to 3)	CIS0n1	CIS0n0	0	0	MD0n3	MD0n2	MD0n1	MD0n0

CIS0n1	CIS0n0	Selection of TIOn pin input valid edge
0	0	Falling edge
0	1	Rising edge
1	0	Both edges (when low-level width is measured) Start trigger: Falling edge, Capture trigger: Rising edge
1	1	Both edges (when high-level width is measured) Start trigger: Rising edge, Capture trigger: Falling edge

If both the edges are specified when the value of the STS0n2 to STS0n0 bits is other than 010B, set the CIS0n1 to CIS0n0 bits to 10B.

MD0n3	MD0n2	MD0n1	Setting of operation mode of channel n	Corresponding function	Count operation of TCR
0	0	0	Interval timer mode	Interval timer/Square wave output/Divider function/PWM output (master)	Down count
0	1	0	Capture mode	Input pulse interval measurement/Two-channel input with one-shot pulse output function (slave)	Up count
0	1	1	Event counter mode	External event counter	Down count
1	0	0	One-count mode	Delay counter/One-shot pulse output/Two-channel input with one-shot pulse output function (master)/PWM output (slave)	Down count
1	1	0	Capture & one-count mode	Measurement of high-/low-level width of input signal	Up count
Other than above			Setting prohibited		

The operation of each mode changes depending on the operation of MD0n0 bit (see the table below).

Operation mode (Value set by the MD0n3 to MD0n1 bits)	MD0n0	Setting of starting counting and interrupt
<ul style="list-style-type: none"> Interval timer mode^{Note 2} (0, 0, 0) Capture mode (0, 1, 0) 	0	Timer interrupt is not generated when counting is started (timer output does not change, either).
	1	Timer interrupt is generated when counting is started (timer output also changes).
<ul style="list-style-type: none"> Event counter mode^{Note 2} (0, 1, 1) 	0	Timer interrupt is not generated when counting is started (timer output does not change, either).
<ul style="list-style-type: none"> One-count mode^{Note 1} (1, 0, 0) 	0	Start trigger is invalid during counting operation. At that time, a timer interrupt is not generated.
	1	Start trigger is valid during counting operation ^{Note 2} . At that time, a timer interrupt is not generated.
<ul style="list-style-type: none"> Capture & one-count mode (1, 1, 0) 	0	Timer interrupt is not generated when counting is started (timer output does not change, either). Start trigger is invalid during counting operation. At that time, a timer interrupt is not generated.
Other than above		Setting prohibited

- Notes**
1. In one-count mode, the interrupt request signal (INTTM0n) when starting a count operation and TO0n output are not controlled.
 2. If the start trigger (TS0n = 1) is issued during operation, the counter is initialized, and recounting is started (interrupt request signal (INTTM0n) is not generated).

Caution Be sure to clear bits 4 and 5 in registers TMR00L to TMR03L to "0".

Remark n: Channel number (n = 0 to 3)

6.3.4 Timer status register 0n (TSR0n)

The TSR0n register indicates the overflow status of the counter of channel n.

The TSR0n register is valid only in the capture mode (MD0n3 to MD0n1 = 010B) and capture & one-count mode (MD0n3 to MD0n1 = 110B). It will not be set in any other mode. See Table 6-4 for the operation of the OVF bit in each operation mode and set/clear conditions.

The TSR0n register can be read by an 8-bit memory manipulation instruction.

Reset signal generation clears this register to 00H.

Figure 6-9. Format of Timer Status Register 0n (TSR0n)

Address: F01A0H (TSR00), F01A2H (TSR01) After reset: 00H R
F01A4H (TSR02), F01A6H (TSR03)

Symbol	7	6	5	4	3	2	1	0
TMR00L	0	0	0	0	0	0	0	OVF

OVF	Counter overflow status of channel n
0	Overflow does not occur.
1	Overflow occurs.
When OVF = 1, this flag is cleared (OVF = 0) when the next value is captured without overflow.	

Remark n: Channel number (n = 0 to 3)

Table 6-4. OVF Bit Operation and Set/Clear Conditions in Each Operation Mode

Timer Operation Mode	OVF Bit	Set/Clear Conditions
<ul style="list-style-type: none"> • Capture mode • Capture & one-count mode 	clear	When no overflow has occurred upon capturing
	set	When an overflow has occurred upon capturing
<ul style="list-style-type: none"> • Interval timer mode • Event counter mode • One-count mode 	clear	– (Use prohibited)
	set	

Remark The OVF bit does not change immediately after the counter has overflowed, but changes upon the subsequent capture.

6.3.5 Timer channel enable status register 0 (TE0, TEH0 (8-bit mode))

The TE0 and TEH0 registers are used to enable or stop the timer operation of each channel.

Each bit of the TE0 and TEH0 registers correspond to each bit of the timer channel start register 0 (TS0, TSH0) and the timer channel stop register 0 (TT0, TTH0). When a bit of the TS0 and TSH0 registers is set to 1, the corresponding bit of TE0 and TEH0 is set to 1. When a bit of the TT0 and TTH0 registers is set to 1, the corresponding bit of TE0 and TEH0 is cleared to 0.

The TE0 and TEH0 registers can be read by a 1-bit or 8-bit memory manipulation instruction.

Reset signal generation clears TE0 and TEH0 registers to 00H.

Figure 6-10. Format of Timer Channel Enable Status Register 0 (TE0)

Address: F01B0H After reset: 00H R

Symbol	7	6	5	4	3	2	1	0
TE0	0	0	0	0	TE03	TE02	TE01	TE00

TE0n	Indication of operation enable/stop status of channel n
0	Operation is stopped.
1	Operation is enabled.
Indicates operation enable/stop status of the 16-bit timer. TE01 and TE03 bits indicate whether operation of the lower 8-bit timer is enabled or stopped when channels 1 and 3 are in the 8-bit timer mode.	

Remark n: Channel number (n = 0 to 3)

Figure 6-11. Format of Timer Channel Enable Status Register 0 (TEH0)

Address: F01B1H After reset: 00H R

Symbol	7	6	5	4	3	2	1	0
TEH0	0	0	0	0	TEH03	0	TEH01	0

TEH0n	Indication of operation enable/stop status of channel n
0	Operation is stopped.
1	Operation is enabled.
This bit indicates whether operation of the higher 8-bit timer is enabled or stopped when channels 1 and 3 are in the 8-bit timer mode.	

6.3.6 Timer channel start register 0 (TS0, TSH0 (8-bit mode))

The TS0 and TSH0 registers are trigger registers that are used to initialize timer counter register 0n (TCR0n) and start the counting operation of each channel.

When a bit of these registers is set to 1, the corresponding bit of timer channel enable status register 0 (TE0, TEH0) is set to 1. The TSH0n and TS0n bits are immediately cleared to 0 when operation is enabled (TE0n = 1), because they are trigger bits.

The TS0 and TSH0 registers can be set by a 1-bit or 8-bit memory manipulation instruction.

Reset signal generation clears TS0 and TSH0 registers to 00H.

Figure 6-12. Format of Timer Channel Start Register 0 (TS0)

Address: F01B2H After reset: 00H R/W

Symbol	7	6	5	4	3	2	1	0
TS0	0	0	0	0	TS03	TS02	TS01	TS00
TS0n	Operation enable (start) trigger of channel n (n = 0 to 3)							
0	No trigger operation							
1	The TE0n bit is set to 1 and the count operation becomes enabled. The TCR0n register count operation start in the count operation enabled state varies depending on each operation mode (see Table 6-5 in 6.5.2 Start timing of counter). TS01 and TS03 bits are the trigger to enable operation (start operation) of the lower 8-bit timer when channels 1 and 3 are in the 8-bit timer mode.							

Figure 6-13. Format of Timer Channel Start Register 0 (TSH0)

Address: F01B3H After reset: 00H R/W

Symbol	7	6	5	4	3	2	1	0
TSH0	0	0	0	0	TSH03	0	TSH01	0
TSH0n	Operation enable (start) trigger of channel n (n = 1, 3)							
0	No trigger operation							
1	The TEH0n bit is set to 1 and the count operation becomes enabled. The TCR0n register count operation start in the interval timer mode in the count operation enabled state (see Table 6-5 in 6.5.2 Start timing of counter).							
This bit is the trigger to enable operation (start operation) of the higher 8-bit timer when channels 1 and 3 are used in the 8-bit timer mode.								

Cautions 1. Be sure to clear the following bits to 0.

TS0: Bits 4 to 7

TSH0: Bits 0, 2, 4 to 7

2. When switching from a function that does not use TI0n pin input to one that does, the following wait period is required from when timer mode register 0n (TMR0n) is set until the TS0n bit is set to 1.

When the TI0n pin noise filter is enabled (TNFEN = 1):

Four cycles of the operation clock (f_{MCK})

When the TI0n pin noise filter is disabled (TNFEN = 0):

Two cycles of the operation clock (f_{MCK})

Remark When the TS0 and TSH0 registers are read, 0 is always read.

6.3.7 Timer channel stop register 0 (TT0, TTH0 (8-bit mode))

The TT0 and TTH0 registers are trigger registers that are used to stop the counting operation of each channel.

When a bit of TT0 and TTH0 registers is set to 1, the corresponding bit of timer channel enable status register 0 (TE0, TEH0) is cleared to 0. The TT0n and TTH0n bits are immediately cleared to 0 when operation is stopped (TE0n, TEH0n = 0), because they are trigger bits.

The TT0 and TTH0 registers can be set by a 1-bit or 8-bit memory manipulation instruction.

Reset signal generation clears TT0 and TTH0 registers to 00H.

Figure 6-14. Format of Timer Channel Stop Register 0 (TT0)

Address: F01B4H After reset: 00H R/W

Symbol	7	6	5	4	3	2	1	0
TT0	0	0	0	0	TT03	TT02	TT01	TT00

TT0n	Operation stop trigger of channel n (n = 0 to 3)
0	No trigger operation
1	TE0n is cleared to 0, and counting operation is stopped. TT01 and TT03 bits are the trigger to stop operation of the lower 8-bit timer when channels 1 and 3 are in the 8-bit timer mode.

Figure 6-15. Format of Timer Channel Stop Register 0 (TTH0)

Address: F01B5H After reset: 00H R/W

Symbol	7	6	5	4	3	2	1	0
TTH0	0	0	0	0	TTH03	0	TTH01	0

TTH0n	Operation stop trigger of channel n (n = 1, 3)
0	No trigger operation
1	TEH0n is cleared to 0, and counting operation is stopped (stop trigger is generated).
This bit is the trigger to stop operation of the higher 8-bit timer when channels 1 and 3 are used in the 8-bit timer mode.	

Caution Be sure to clear the following bits to 0.

TT0: Bits 4 to 7

TTH0: Bits 0, 2, 4 to 7

Remark When the TT0 and TTH0 registers are read, 0 is always read.

6.3.8 Timer output enable register 0 (TOE0)

The TOE0 register is used to enable or disable timer output of each channel.

Channel n for which timer output has been enabled becomes unable to rewrite the value of the TO0n bit of timer output register 0 (TO0) described later by software, and the value reflecting the setting of the timer output function through the count operation is output from the timer output pin (TO0n).

The TOE0 register can be set by a 1-bit or 8-bit memory manipulation instruction.

Reset signal generation clears this register to 00H.

Figure 6-16. Format of Timer Output Enable Register 0 (TOE0)

Address: F01BAH After reset: 00H R/W

Symbol	7	6	5	4	3	2	1	0
TOE0n	0	0	0	0	TOE03	TOE02	TOE01	TOE00

TOE0n	Timer output enable/disable of channel n
0	Disable output of timer. Without reflecting on TO0n bit timer operation, to fixed the output. Writing to the TO0n bit is enabled and the level set in the TO0n bit is output from the TO0n pin.
1	Enable output of timer. Reflected in the TO0n bit timer operation, to generate the output waveform. Writing to the TO0n bit is disabled (writing is ignored).

Caution Be sure to clear bits 4 to 7 to "0".

Remark n: Channel number (n = 0 to 3)

6.3.9 Timer output register 0 (TO0)

The TO0 register is a buffer register of timer output of each channel.

The value of each bit in this register is output from the timer output pin (TO0n) of each channel.

The TO0n bit of this register can be rewritten by software only when timer output is disabled (TOE0n = 0). When timer output is enabled (TOE0n = 1), rewriting this register by software is ignored, and the value is changed only by the timer operation.

To use the TO0n alternate pin as a port function pin, set the corresponding TO0n bit to 0.

The TO0 register can be set by an 8-bit memory manipulation instruction.

Reset signal generation clears this register to 00H.

Figure 6-17. Format of Timer Output Register 0 (TO0)

Address: F01B8H After reset: 00H R/W

Symbol	7	6	5	4	3	2	1	0
TO0	0	0	0	0	TO03	TO02	TO01	TO00

TO0n	Timer output of channel n
0	Timer output value is "0".
1	Timer output value is "1".

Caution Be sure to clear bits 4 to 7 to "0".

Remark n: Channel number (n = 0 to 3)

6.3.10 Timer output level register 0 (TOL0)

The TOL0 register is a register that controls the timer output level of each channel.

The setting of the inverted output of channel n by this register is reflected at the timing of set or reset of the timer output signal while the timer output is enabled (TOE0n = 1) in the Slave channel output mode (TOM0n = 1). In the master channel output mode (TOM0n = 0), this register setting is invalid.

The TOL0 register can be set by an 8-bit memory manipulation instruction.

Reset signal generation clears this register to 00H.

Figure 6-18. Format of Timer Output Level Register 0 (TOL0)

Address: F01BCH After reset: 00H R/W

Symbol	7	6	5	4	3	2	1	0
TOL0	0	0	0	0	TOL03	TOL02	TOL01	0

TOL0n	Control of timer output level of channel n
0	Positive logic output (active-high)
1	Negative logic output (active-low)

Caution Be sure to clear bits 0, 4 to 7 to "0".

- Remarks**
1. The timer output logic is inverted when the timer output signal changes next, instead of immediately after the TOL0 register value is rewritten.
 2. n: Channel number (n = 0 to 3)

6.3.11 Timer output mode register 0 (TOM0)

The TOM0 register is used to control the timer output mode of each channel.

When a channel is used for the independent channel operation function, set the corresponding bit of the channel to be used to 0.

When a channel is used for the simultaneous channel operation function (one-shot pulse output, two-channel input with one-shot pulse output function, PWM output, multiple PWM output), set the corresponding bit of the master channel to 0 and the corresponding bit of the slave channel to 1.

The setting of each channel n by this register is reflected at the timing when the timer output signal is set or reset while the timer output is enabled ($TOE0n = 1$).

The TOM0 register can be set by an 8-bit memory manipulation instruction.

Reset generation clears this register to 00H.

Figure 6-19. Format of Timer Output Mode Register 0 (TOM0)

Address: F01BEH After reset: 00H R/W

Symbol	7	6	5	4	3	2	1	0
TOM0	0	0	0	0	TOM03	TOM02	TOM01	0

TOM0n	Control of timer output mode of channel n
0	Used as the independent channel operation function (to produce toggle output by the interrupt request signal (INTTM0n))
1	Slave channel output mode (output is set by the interrupt request signal (INTTM00, INTTM02) of the master channel, and reset by the timer interrupt request signal (INTTM0p) of the slave channel)

Caution Be sure to clear bits 0, 4 to 7 to “0”.

Remark n: Master channel number ($n = 0, 2$)
 p: Slave channel number ($n < p \leq 3$)
 (For details of the relation between the master channel and slave channel, see **6.4.1 Basic rules of simultaneous channel operation function.**)

6.3.12 Noise filter enable register 1 (NFEN1)

The NFEN1 register is used to set whether the noise filter can be used for the timer input (TI0n) pin signal to each channel.

Enable the noise filter by setting the corresponding bits to 1 on the pins in need of noise removal.

When the noise filter is enabled, after synchronization with the operating clock (f_{MCK}) for the target channel, whether the signal keeps the same value for two clock cycles is detected. When the noise filter is disabled, the input signal is only synchronized with the operating clock (f_{MCK}) for the target channel. For the timer input (TI0n) operation, see **6.5.1 (2) When valid edge of input signal via the TI0n pin is selected (CCS0n = 1)**, **6.5.2 Start timing of counter**, and **6.7 Timer Input (TI0n) Control**.

The NFEN1 registers can be set by a 1-bit or 8-bit memory manipulation instruction.

Reset signal generation clears this register to 00H.

Figure 6-20. Format of Noise Filter Enable Register 1 (NFEN1)

Address: F0071H After reset: 00H R/W

Symbol	7	6	5	4	3	2	1	0
NFEN1	0	0	0	0	TNFEN03	TNFEN02	TNFEN01	TNFEN00
TNFEN0n	Enable/disable using noise filter of TI0n pin input signal (n = 0 to 3)							
0	Noise filter OFF							
1	Noise filter ON							

Caution The applicable pin for the noise filter set by the TNFEN01 bit can be switched by setting the ISC1 bit in the input switch control register (ISC).

ISC1 = 0: Whether or not to use the noise filter for the TI01 pin input signal can be selected.

ISC1 = 1: Whether or not to use the noise filter for the RXD0 pin input signal can be selected.

6.3.13 Input switch control register (ISC)

The ISC register is used to implement baud rate correction by using channel 1 in association with the serial array unit.

When the ISC1 bit is set to 1, the input signal of the serial data input (RXD0) pin is selected as a timer input (TI01).

The width at the baud rate (transfer rate) of the other party in communications can be measured by using the timer array unit input pulse interval measurement mode with the input edge signal of the start bit as a trigger.

The ISC register can be set by a 1-bit or 8-bit memory manipulation instruction.

Reset generation clears this register to 00H.

Figure 6-21. Format of Input Switch Control Register (ISC)

Address: F0073H After reset: 00H R/W

Symbol	7	6	5	4	3	2	1	0
ISC	0	0	0	0	0	0	ISC1	ISC0

ISC1	Switching channel 1 input of timer array unit
0	Uses the input signal of the TI01 pin as a timer input (normal operation).
1	Uses the input signal of the RXD0 pin as a timer input (detects the wakeup signal and measures the pulse width for baud rate correction).

ISC0	Switching external interrupt (INTP0) input
0	Uses the input signal of the INTP0 pin as an external interrupt (normal operation).
1	Uses the input signal of the RXD0 pin as an external interrupt (wakeup signal detection).

Caution Be sure to clear bits 7 to 2 to “0”.

6.3.14 Timer I/O control register (TIOSC)

The TIOSC registers can be set by a 1-bit or 8-bit memory manipulation instruction.

Reset signal generation clears this register to 00H.

Figure 6-22. Format of Timer I/O Control Register (TIOSC)

Address: F0072H After reset: 00H R/W

Symbol	7	6	5	4	3	2	1	0
TIOSC	0	0	0	0	0	TOEN3 ^{Note}	TOEN1 ^{Note}	TINT

TOEN3 ^{Note}	TO03 output control for RTO
0	Enable TO03 output
1	Disable TO03 output

TOEN1 ^{Note}	TO01 output control for RTO
0	Enable TO01 output
1	Disable TO01 output

TINT	Input clock source selection for TAU of channel 2
0	TI02 input
1	INTTM01 input

Note R7F0C806 and R7F0C807 products only.

6.3.15 Registers controlling port functions of pins to be used for timer I/O

Using the timer array unit functions requires setting of the registers that control the port functions multiplexed on the target channels (port mode register (PMxx), port register (Pxx), and port mode control register (PMCxx)). For details, see **4.3.1 Port mode registers 0, 1, 4 (PM0, PM1, PM4)**, **4.3.2 Port registers 0, 1, 4, 12, 13 (P0, P1, P4, P12, P13)**, and **4.3.6 Port mode control registers 0, 1 (PMC0, PMC1)**.

For the setting examples when the port is used as timer I/O, see **4.5.3 Example of register settings for port and alternate functions used**.

When using the ports that share the pin with the timer output (such as P12/ANI3/TI01/TO01/KR5) for timer output, set the bit in the port mode register (PMxx), the port register (Pxx), and the port mode control register (PMCxx) corresponding to each port to 0.

Example: When using P12/ANI3/TI01/TO01/KR5 for timer output

Set the PMC12 bit of port mode control register 1 to "0".

Set the PM12 bit of port mode register 1 to "0".

Set the P12 bit of port register 1 to "0".

When using the ports (such as P12/ANI3/TI01/TO01/KR5) to be shared with the timer output pin for timer input, set the bit in the port mode register (PMxx) corresponding to each port to 1. Also set the bit in the port mode control register (PMCxx) corresponding to each port to 0. At this time, the bit in the port register (Pxx) may be 0 or 1.

Example: When using P12/ANI3/TI01/TO01/KR5 for timer input

Clear the PMC12 bit of port mode control register 1 to "0".

Set the PM12 bit of port mode register 1 to "1".

Clear the P12 bit of port register 1 to 0, or set to "1".

6.4 Basic Rules of Timer Array Unit

6.4.1 Basic rules of simultaneous channel operation function

When simultaneously using multiple channels, namely, a combination of a master channel (a reference timer mainly counting the cycle) and slave channels (timers operating according to the master channel), the following rules apply.

- (1) Only an even channel (channel 0, 2) can be set as a master channel.
- (2) Any channel, except channel 0, can be set as a slave channel^{Note}.
- (3) The slave channel must be lower than the master channel.
Example: If channel 2 is set as a master channel, channel 3 can be set as a slave channel.
- (4) Two or more slave channels can be set for one master channel.
- (5) When two or more master channels are to be used, slave channels with a master channel between them may not be set.
Example: If channels 0 and 2 are set as the master channel, only channel 1 can be set as the slave channel of master channel 0. Channel 3 cannot be set as the slave channel of master channel 0.
- (6) The operating clock for a slave channel in combination with a master channel must be the same as that of the master channel. The CKS0n1 bit (bit 7 of timer mode register 0nH (TMR0nH)) of the slave channel that operates in combination with the master channel must be the same value as that of the master channel.
- (7) A master channel can transmit the interrupt request signal (INTTM0n), start software trigger, and count clock (f_{TCLK}) to the lower channels.
- (8) A slave channel can use the interrupt request signal (INTTM0n), a start software trigger, or the count clock (f_{TCLK}) of the master channel as a source clock, but cannot transmit its own INTTM0n, start software trigger, or count clock (f_{TCLK}) to channels with lower channel numbers.
- (9) A master channel cannot use the interrupt request signal (INTTM0n), a start software trigger, or the count clock (f_{TCLK}) from the other higher master channel as a source clock.
- (10) To simultaneously start channels that operate in combination, the channel start trigger bit (TS0n) of the channels in combination must be set at the same time.
- (11) During the counting operation, a TS0n bit of a master channel or TS0n bits of all channels which are operating simultaneously can be set. It cannot be applied to TS0n bits of slave channels alone.
- (12) To stop the channels in combination simultaneously, the channel stop trigger bit (TT0n) of the channels in combination must be set at the same time.

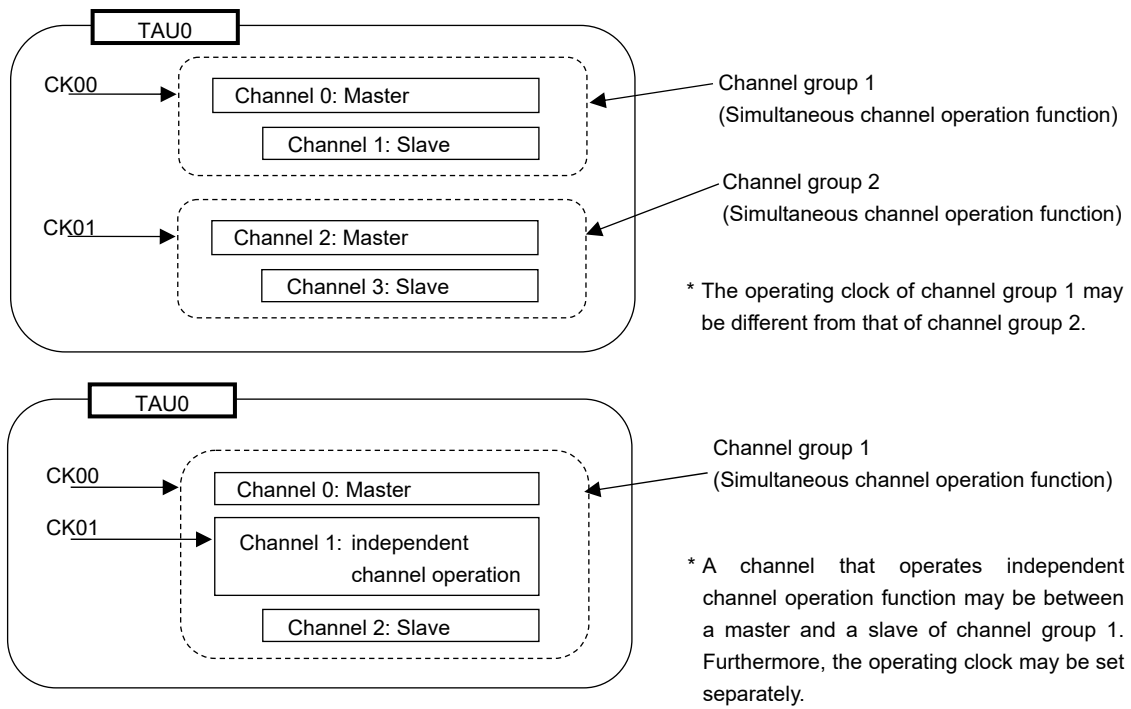
Note When channel 1 or 3 is used as an 8-bit timer, the lower 8 bits can be selected as the slave channel that operates in combination. In this case, the higher 8 bits of channel 1 or 3 can be used as an interval timer.

Remark n: Channel number (n = 0 to 3)

The rules of the simultaneous channel operation function are applied in a channel group (a master channel and slave channels forming one simultaneous channel operation function).

If two or more channel groups that do not operate in combination are specified, the basic rules of the simultaneous channel operation function in **6.4.1 Basic rules of simultaneous channel operation function** do not apply to the channel groups.

Example



6.4.2 Basic rules of 8-bit timer operation function (only channels 1 and 3)

The 8-bit timer operation function makes it possible to use a 16-bit timer channel in a configuration consisting of two 8-bit timer channels.

This function can only be used for channels 1 and 3, and there are several rules for using it.

The basic rules for this function are as follows:

- (1) The 8-bit timer operation function applies only to channels 1 and 3.
- (2) When using 8-bit timers, set the SPLIT bit of timer mode register 0nH (TMR0nH) to 1.
- (3) The higher 8 bits can be operated as the interval timer function.
- (4) At the start of operation, the higher 8 bits output the interrupt request signal (INTTM01H, INTTM03H) (which is the same operation performed when MD0n0 is set to 1).
- (5) The operation clock of the higher 8 bits is selected according to the CKS0n1 bit of the lower-bit TMR0nH register.
- (6) For the higher 8 bits, the TSH0n bit is manipulated to start channel operation and the TTH0n bit is manipulated to stop channel operation. The channel status can be checked using the TEH0n bit.
- (7) The lower 8 bits operate according to the settings of TMR0nH and TMR0nL registers. The lower 8-bit timer supports the following functions:
 - Interval timer
 - Square wave output
 - External event counter
 - Delay counter
 - PWM output function
 - Multiple PWM output function
- (8) For the lower 8 bits, the TS0n bit is manipulated to start channel operation and the TT0n bit is manipulated to stop channel operation. The channel status can be checked using the TE0n bit.
- (9) During 16-bit operation, manipulating the TSH0n/TTH0n bits is invalid. The TS0n and TT0n bits are manipulated to operate channel n. The TEH0n bit is not changed.
- (10) When the 8-bit timer operation function is in use, the simultaneous channel operation function (one-shot pulse, PWM, multiple PWM (16-pin products only)) cannot be used.

Caution When channels 1 and 3 are used in 8-bit timer mode (SPLIT = 1), it is prohibited to read the TCR01H and TDR01H registers or the TCR03H and TDR03H registers.

Remark n: Channel number (n = 1, 3)

6.5 Operation of Counter

6.5.1 Count clock (f_{TCLK})

The count clock (f_{TCLK}) of the timer array unit can be selected between following by CCS0n bit of timer mode register 0n (TMR0n).

- Operation clock (f_{MCK}) specified by the CKS0n1 bit
- Valid edge of input signal input from the TI0n pin

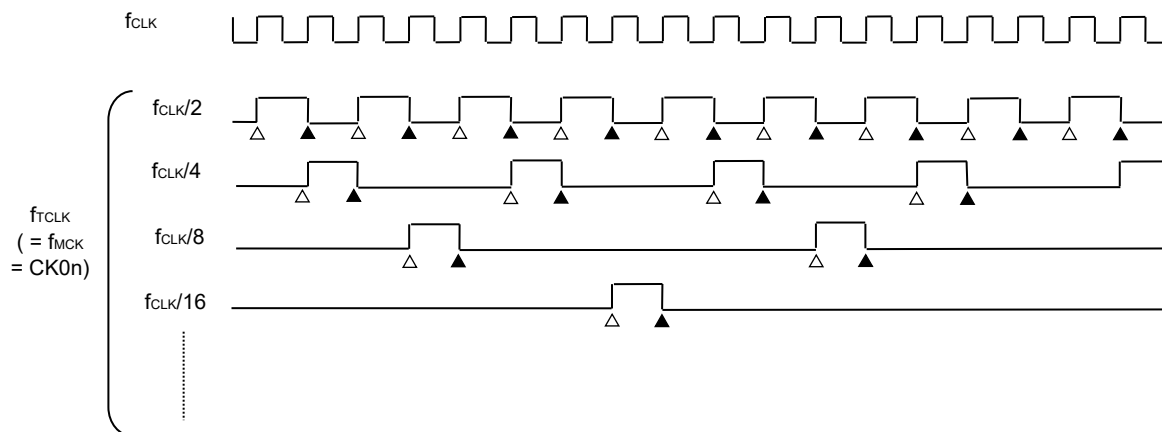
Because the timer array unit is designed to operate in synchronization with f_{CLK}, the timings of the count clock (f_{TCLK}) are shown below.

(1) When operation clock (f_{MCK}) specified by the CKS0n1 bit is selected (CCS0n = 0)

The count clock (f_{TCLK}) is between f_{CLK} to f_{CLK} / 2¹⁵ by setting of timer clock select register 0 (TPS0). When a divided f_{CLK} is selected, however, the clock selected in TPS0 register is at the high level for one f_{CLK} cycle period from its rising edge. When a f_{CLK} is selected, it is fixed to the high level

Counting of timer count register 0n (TCR0n) delayed by one f_{CLK} cycle period from rising edge of the count clock (f_{TCLK}), because of synchronization with f_{CLK}. But, this is described as “counting at rising edge of the count clock (f_{TCLK})”, as a matter of convenience.

Figure 6-23. Timing of f_{CLK} and Count Clock (f_{TCLK}) (When CCS0n = 0)



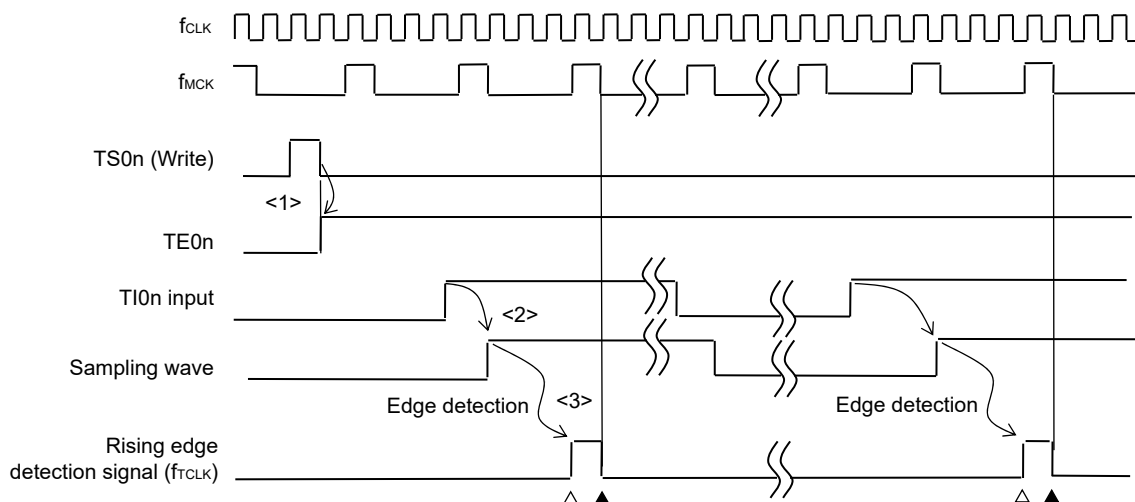
- Remarks**
1. Δ : Rising edge of the count clock (f_{TCLK})
▲ : Synchronization, increment/decrement of counter
 2. f_{CLK}: CPU/peripheral hardware clock

(2) When valid edge of input signal via the TIO_n pin is selected (CCS0_n = 1)

The count clock (f_{TCLK}) is the signal that detects valid edge of input signal via the TIO_n pin and synchronizes next rising f_{MCK} . The count clock (f_{TCLK}) is delayed for 1 to 2 period of f_{MCK} from the input signal via the TIO_n pin (when a noise filter is used, it is delayed for 3 to 4 clock cycles).

Counting of timer count register 0_n (TCR0_n) delayed by one f_{CLK} cycle period from rising edge of the count clock (f_{TCLK}), because of synchronization with f_{CLK} . But, this is described as “counting at valid edge of input signal via the TIO_n pin”, as a matter of convenience.

Figure 6-24. Timing of f_{CLK} and Count Clock (f_{TCLK}) (When CCS0_n = 1, Noise Filter Unused)



<1> Setting TS0_n bit to 1 enables the timer to be started and the operation enters wait state for valid edge of input signal via the TIO_n pin.

<2> The rise of input signal via the TIO_n pin is sampled by f_{MCK} .

<3> The edge is detected by the rising of the sampled signal and the detection signal (count clock (f_{TCLK})) is output.

Remarks 1. Δ : Rising edge of the count clock (f_{TCLK})

\blacktriangle : Synchronization, increment/decrement of counter

2. f_{CLK} : CPU/peripheral hardware clock

f_{MCK} : Operation clock of channel n

3. The waveform of the input signal via TIO_n pin of the input pulse interval measurement, the measurement of high/low width of input signal, and the delay counter, the one-shot pulse output are the same as that shown in **Figure 6-24**.

6.5.2 Start timing of counter

Timer count register 0n (TCR0n) operation becomes enabled by setting of TS0n bit of timer channel start register 0 (TS0).

Operations from count operation enabled state to timer count register 0n (TCR0n) count start is shown in **Table 6-5**.

Table 6-5. Operations from Count Operation Enabled State to Timer Count Register 0n (TCR0n) Count Start

Timer Operation Mode	Operation When TS0n = 1 Is Set
<ul style="list-style-type: none"> Interval timer mode 	<p>No operation is carried out from start trigger detection (TS0n = 1) until count clock generation.</p> <p>The first count clock loads the value of the TDR0n register to the TCR0n register and the subsequent count clock performs count down operation (see 6.5.3 (1) Interval timer mode operation).</p>
<ul style="list-style-type: none"> Event counter mode 	<p>Writing 1 to the TS0n bit loads the value of the TDR0n register to the TCR0n register. Detection TIOn input edge, the subsequent count clock performs count down operation. (see 6.5.3 (2) Event counter mode operation).</p>
<ul style="list-style-type: none"> Capture mode 	<p>No operation is carried out from start trigger (TS0n = 1) detection until count clock generation.</p> <p>The first count clock loads 0000H to the TCR0n register and the subsequent count clock performs count up operation (see 6.5.3 (3) Capture mode operation (input pulse interval measurement)).</p>
<ul style="list-style-type: none"> One-count mode 	<p>The waiting-for-start-trigger state is entered by writing 1 to the TS0n bit while the timer is stopped (TE0n = 0).</p> <p>No operation is carried out from start trigger detection until count clock generation.</p> <p>The first count clock loads the value of the TDR0n register to the TCR0n register and the subsequent count clock performs count down operation (see 6.5.3 (4) One-count mode operation).</p>
<ul style="list-style-type: none"> Capture & one-count mode 	<p>The waiting-for-start-trigger state is entered by writing 1 to the TS0n bit while the timer is stopped (TE0n = 0).</p> <p>No operation is carried out from start trigger detection until count clock generation.</p> <p>The first count clock loads 0000H to the TCR0n register and the subsequent count clock performs count up operation (see 6.5.3 (5) Capture & one-count mode operation (high-level width is measured)).</p>

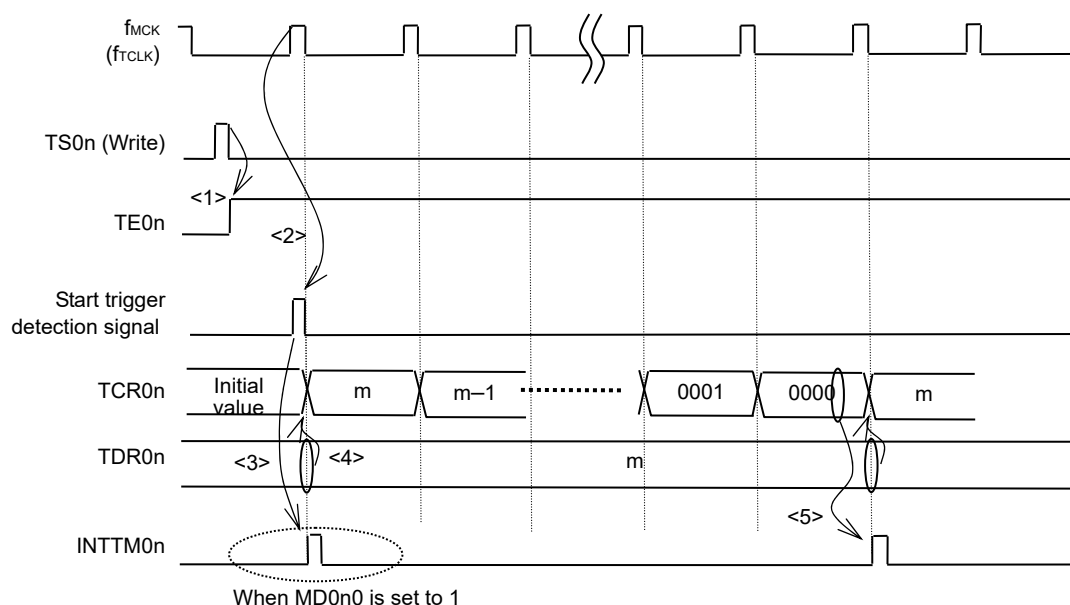
6.5.3 Counter operation

Here, the counter operation in each mode is explained.

(1) Interval timer mode operation

- <1> Operation is enabled ($TE0n = 1$) by writing 1 to the $TS0n$ bit. Timer count register 0n ($TCR0n$) holds the initial value until count clock (f_{TCLK}) generation.
- <2> A start trigger is generated at the first count clock after operation is enabled.
- <3> When the $MD0n0$ bit is set to 1, $INTTM0n$ is generated by the start trigger.
- <4> By the first count clock after the operation enable, the value of timer data register 0n ($TDR0n$) is loaded to the $TCR0n$ register and counting starts in the interval timer mode.
- <5> When the $TCR0n$ register counts down and its count value is 0000H, $INTTM0n$ is generated in the next count clock and the value of timer data register 0n ($TDR0n$) is loaded to the $TCR0n$ register and counting keeps on.

Figure 6-25. Operation Timing (In Interval Timer Mode)

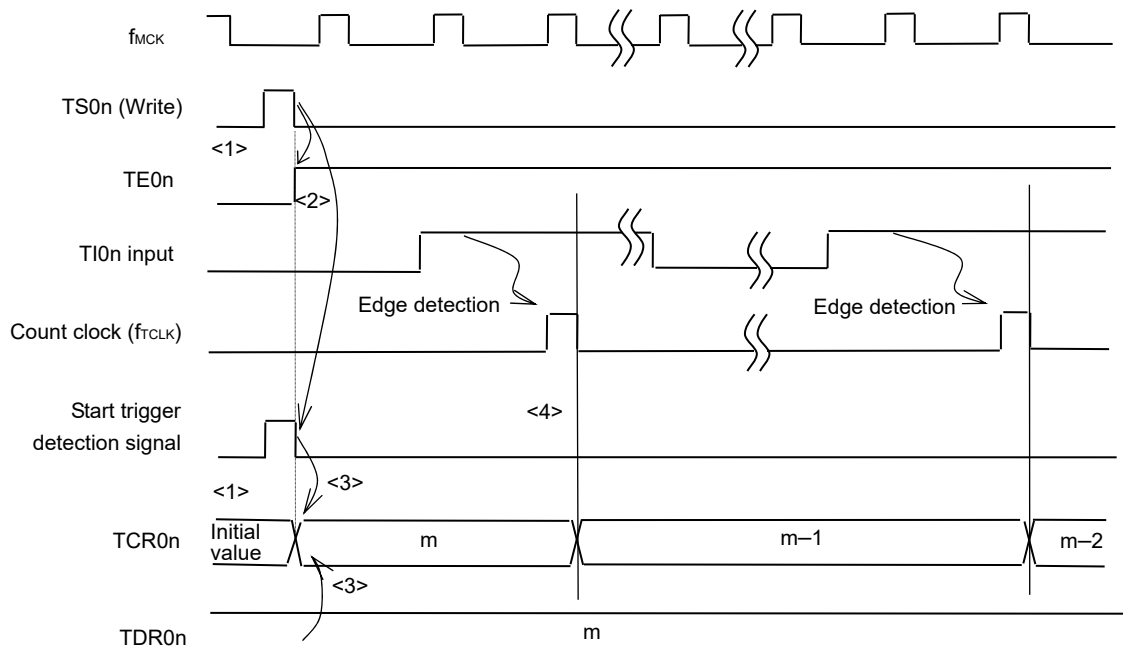


Caution In the first cycle operation of count clock (f_{TCLK}) after writing the $TS0n$ bit, an error of a maximum of one cycle of the count clock (f_{TCLK}) is generated since count start delays until count clock (f_{TCLK}) has been generated. When the information on count start timing is necessary, the interrupt request signal ($INTTM0n$) can be generated at count start by setting $MD0n0 = 1$.

Remark f_{MCK} , the start trigger detection signal, and $INTTM0n$ become active for one clock period in synchronization with f_{CLK} .

(2) Event counter mode operation

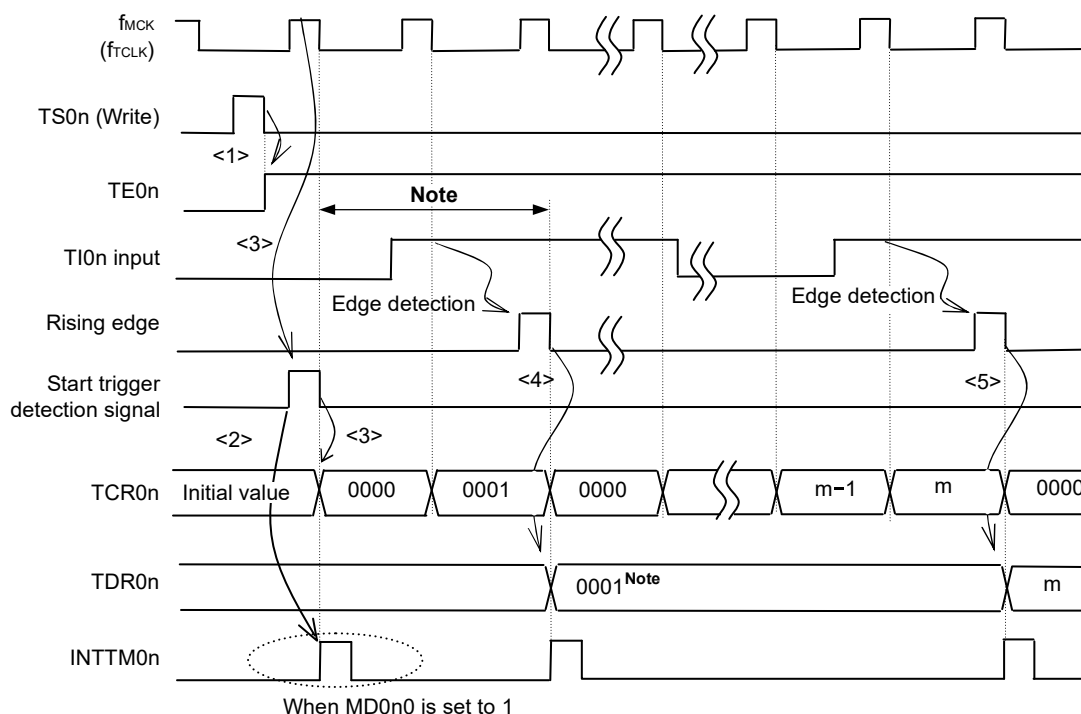
- <1> Timer count register 0n (TCR0n) holds its initial value while operation is stopped ($TE0n = 0$).
- <2> Operation is enabled ($TE0n = 1$) by writing 1 to the TS0n bit.
- <3> As soon as 1 has been written to the TS0n bit and 1 has been set to the TE0n bit, the value of timer data register 0n (TDR0n) is loaded to the TCR0n register to start counting.
- <4> After that, the TCR0n register value is counted down according to the count clock (f_{CLK}) of the valid edge of the TI0n input.

Figure 6-26. Operation Timing (In Event Counter Mode)

Remark Figure 6-26 shows the timing when the noise filter is not used. When the noise filter is on-state, the edge detection is delayed by two cycles of the operating clock (f_{MCK}) from the TI0n input (totally 3 to 4 cycles). The error of one cycle is due to the asynchronous timing between the TI0n input and operating clock (f_{MCK}).

(3) Capture mode operation (input pulse interval measurement)

- <1> Operation is enabled ($TE0n = 1$) by writing 1 to the $TS0n$ bit.
- <2> Timer count register $0n$ ($TCR0n$) holds the initial value until count clock (f_{CLK}) generation.
- <3> A start trigger is generated at the first count clock after operation is enabled. And the value of $0000H$ is loaded to the $TCR0n$ register and counting starts in the capture mode. (When the $MD0n0$ bit is set to 1, $INTTM0n$ is generated by the start trigger.)
- <4> On detection of the valid edge of the $Ti0n$ input, the value of the $TCR0n$ register is captured to timer data register $0n$ ($TDR0n$) and the interrupt request signal ($INTTM0n$) is generated. However, this capture value has no meaning. The $TCR0n$ register keeps on counting from $0000H$.
- <5> On next detection of the valid edge of the $Ti0n$ input, the value of the $TCR0n$ register is captured to the $TDR0n$ register and the interrupt request signal ($INTTM0n$) is generated.

Figure 6-27. Operation Timing (In Capture Mode: Input Pulse Interval Measurement)

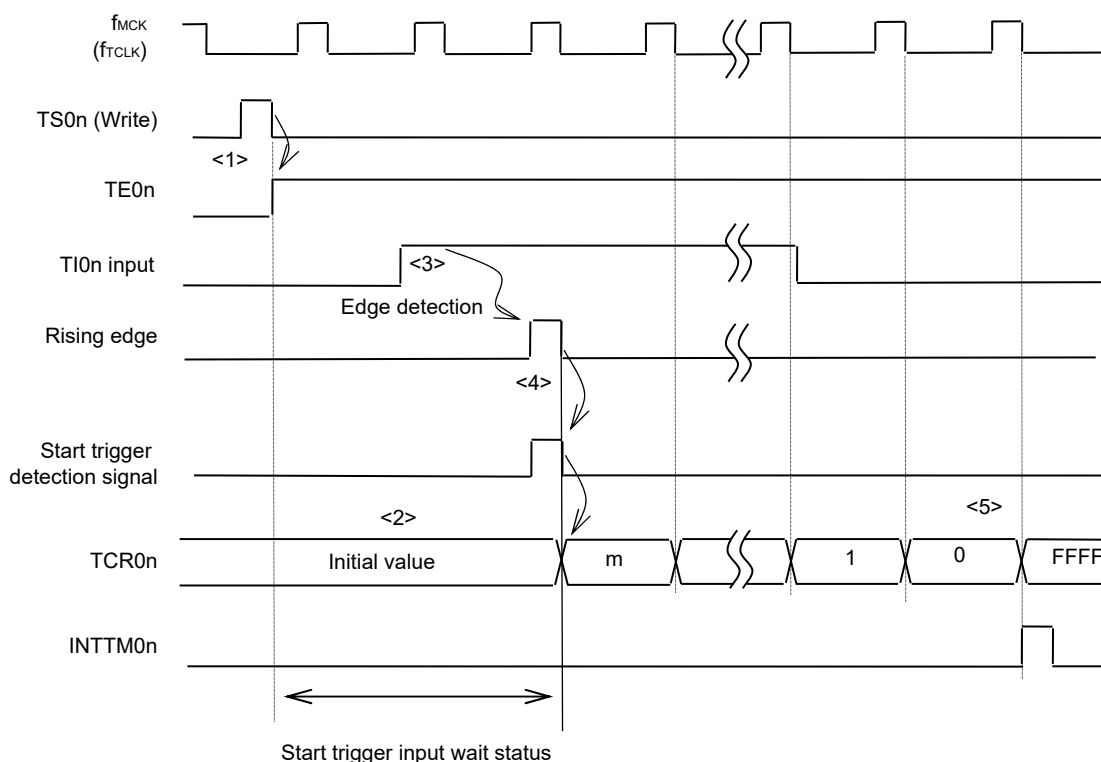
Note If a clock has been input to $Ti0n$ (the trigger exists) when capturing starts, counting starts when a start trigger is generated (<3>) by writing to $TS0n$ (<1>), even if no edge is detected. Therefore, the first captured value (<4>) does not determine a pulse interval (in the above figure, 0001 just indicates two clock cycles but does not determine the pulse interval) and so the user can ignore it.

Caution In the first cycle operation of count clock (f_{CLK}) after writing the $TS0n$ bit, an error of a maximum of one cycle of the count clock (f_{CLK}) is generated since count start delays until count clock (f_{CLK}) has been generated. When the information on count start timing is necessary, the interrupt request signal ($INTTM0n$) can be generated at count start by setting $MD0n0 = 1$.

Remark Figure 6-27 shows the timing when the noise filter is not used. When the noise filter is on-state, the edge detection is delayed by two cycles of the operating clock (f_{MCK}) from the $Ti0n$ input (totally 3 to 4 cycles). The error of one cycle is due to the asynchronous timing between the $Ti0n$ input and operating clock (f_{MCK}).

(4) One-count mode operation

- <1> Operation is enabled ($TE0n = 1$) by writing 1 to the $TS0n$ bit.
- <2> Timer count register $0n$ ($TCR0n$) holds the initial value until start trigger generation.
- <3> Rising edge of the $Ti0n$ input is detected.
- <4> On start trigger detection, the value of timer data register $0n$ ($TDR0n$) is loaded to the $TCR0n$ register and count starts.
- <5> When the $TCR0n$ register counts down and its count value is $0000H$, the interrupt request signal ($INTTM0n$) is generated and the value of the $TCR0n$ register becomes $FFFFH$ and counting stops.

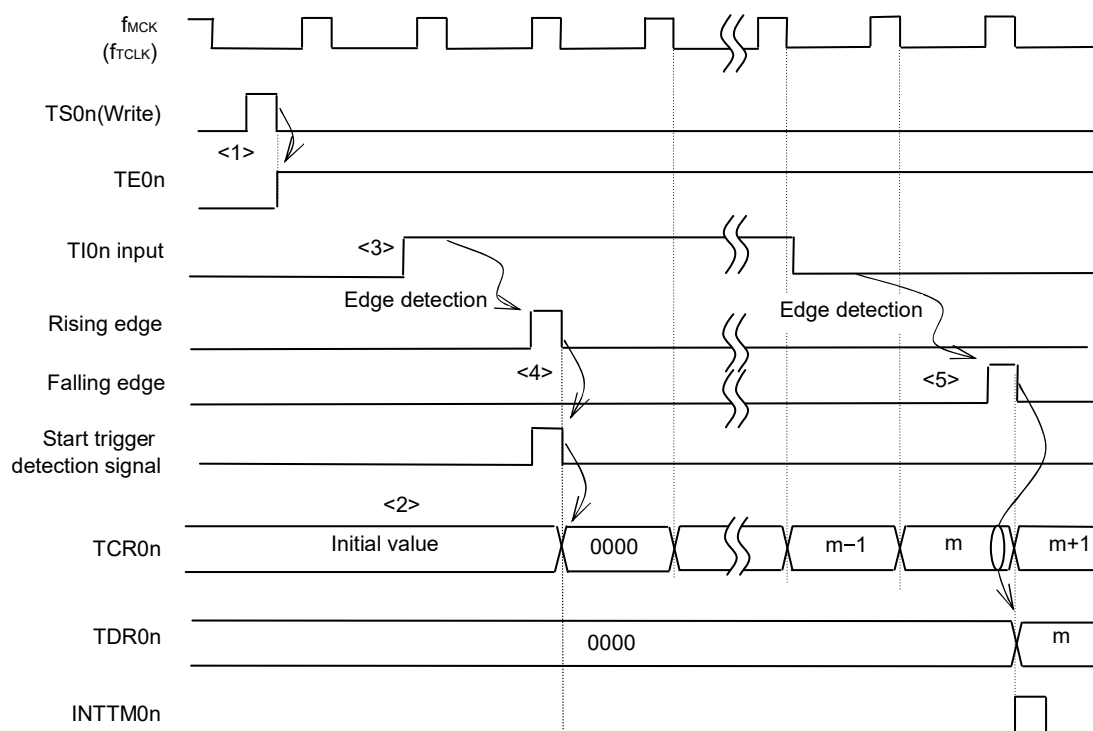
Figure 6-28. Operation Timing (In One-count Mode)

Remark Figure 6-28 shows the timing when the noise filter is not used. When the noise filter is on-state, the edge detection is delayed by two cycles of the operating clock (f_{MCK}) from the $Ti0n$ input (totally 3 to 4 cycles). The error of one cycle is due to the asynchronous timing between the $Ti0n$ input and operating clock (f_{MCK}).

(5) Capture & one-count mode operation (high-level width is measured)

- <1> Operation is enabled ($TE0n = 1$) by writing 1 to the $TS0n$ bit of timer channel start register 0 ($TS0$).
- <2> Timer count register 0n ($TCR0n$) holds the initial value until start trigger generation.
- <3> Rising edge of the $TIO0n$ input is detected.
- <4> On start trigger detection, the value of 0000H is loaded to the $TCR0n$ register and count starts.
- <5> On detection of the falling edge of the $TIO0n$ input, the value of the $TCR0n$ register is captured to timer data register 0n ($TDR0n$) and the interrupt request signal ($INTTM0n$) is generated.

Figure 6-29. Operation Timing (In Capture & One-count Mode: High-level Width Measurement)

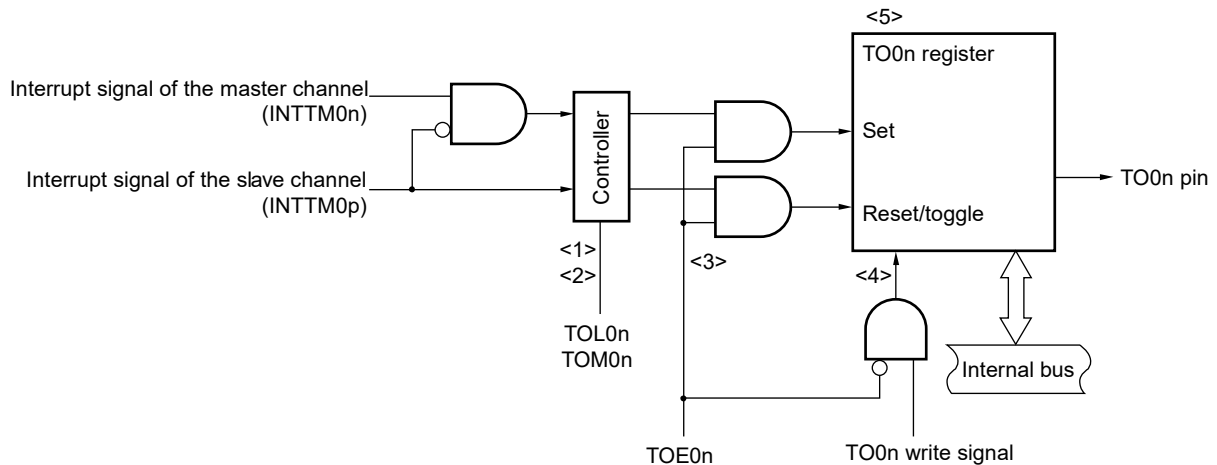


Remark Figure 6-29 shows the timing when the noise filter is not used. When the noise filter is on-state, the edge detection is delayed by two cycles of the operating clock (f_{MCK}) from the $TIO0n$ input (totally 3 to 4 cycles). The error of one cycle is due to the asynchronous timing between the $TIO0n$ input and operating clock (f_{MCK}).

6.6 Channel Output (TO0n pin) Control

6.6.1 TO0n pin output circuit configuration

Figure 6-30. Output Circuit Configuration



The following describes the TO0n pin output circuit.

- <1> When TOM0n = 0 (master channel output mode), the set value of timer output level register 0 (TOL0) is ignored and only INTTM0p (slave channel timer interrupt) is transmitted to timer output register 0 (TO0).
- <2> When TOM0n = 1 (slave channel output mode), both INTTM0n (master channel timer interrupt) and INTTM0p (slave channel timer interrupt) are transmitted to the TO0 register.

At this time, the TOL0 register becomes valid and the signals are controlled as follows:

When TOL0n = 0:	Positive logic output (INTTM0n → set, INTTM0p → reset)
When TOL0n = 1:	Negative logic output (INTTM0n → reset, INTTM0p → set)

When INTTM0n and INTTM0p are simultaneously generated, (0% output of PWM), INTTM0p (reset signal) takes priority, and INTTM0n (set signal) is masked.

- <3> While timer output is enabled (TOE0n = 1), INTTM0n (master channel timer interrupt) and INTTM0p (slave channel timer interrupt) are transmitted to the TO0 register. Writing to the TO0 register (TO0n write signal) becomes invalid.

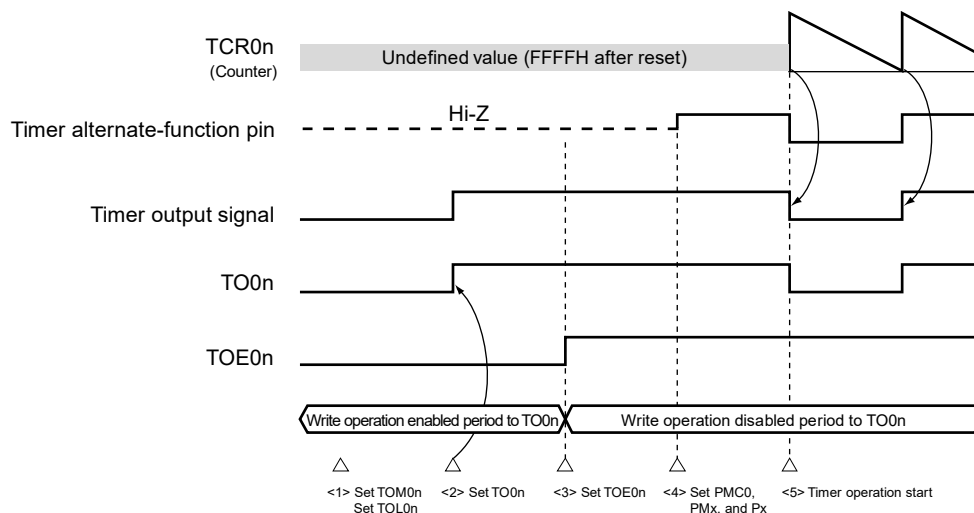
When TOE0n = 1, the TO0n pin output never changes with signals other than interrupt signals. To initialize the TO0n pin output level, it is necessary to set timer operation is stopped (TOE0n = 0) and to write a value to the TO0 register.
- <4> While timer output is disabled (TOE0n = 0), writing to the TO0n bit to the target channel (TO0n write signal) becomes valid. When timer output is disabled (TOE0n = 0), neither INTTM0n (master channel timer interrupt) nor INTTM0p (slave channel timer interrupt) is transmitted to the TO0 register.
- <5> The TO0 register can always be read, and the TO0n pin output level can be checked.

Remark n: Master channel number (n = 0, 2)
p: Slave channel number (n < p ≤ 3)

6.6.2 TO0n pin output setting

The following figure shows the procedure and status transition of the TO0n output pin from initial setting to timer operation start.

Figure 6-31. Status Transition from Timer Output Setting to Operation Start



<1> The operation mode of timer output is set.

- TOM0n bit (0: Master channel output mode, 1: Slave channel output mode)
- TOL0n bit (0: Positive logic output, 1: Negative logic output)

<2> The timer output signal is set to the initial status by setting timer output register 0 (TO0).

<3> The timer output operation is enabled by writing 1 to the TOE0n bit (writing to the TO0 register is disabled).

<4> The port is set to digital I/O by the port mode control register 0 (PMC0). The port is set to output mode by the port mode register 0 (PM0). The output latch for the port is set to 0 by the port register 0 (P0) (see **6.3.15 Registers controlling port functions of pins to be used for timer I/O**).

<5> The timer operation is enabled (TS0n = 1).

Remark n: Channel number
(n = 0 to 3)

6.6.3 Cautions on channel output operation

(1) Changing values set in the registers TO0, TOE0, TOL0, and TOM0 during timer operation

Since the timer operations (operations of timer count register 0n (TCR0n) and timer data register 0n (TDR0n)) are independent of the TO0n output circuit and changing the values set in timer output register 0 (TO0), timer output enable register 0 (TOE0), timer output level register 0 (TOL0), and timer output mode register 0 (TOM0) does not affect the timer operation, the values can be changed during timer operation. To output an expected waveform from the TO0n pin by timer operation, however, set the TO0, TOE0, TOL0, and TOM0 registers to the values stated in the register setting example of each operation.

When the values set to the TOE0, TOL0, and TOM0 registers (but not the TO0 register) are changed close to the occurrence of the interrupt request signal (INTTM0n) of each channel, the waveform output to the TO0n pin might differ, depending on whether the values are changed immediately before or immediately after INTTM0n occurs.

Remark n: Channel number (n = 0 to 3)

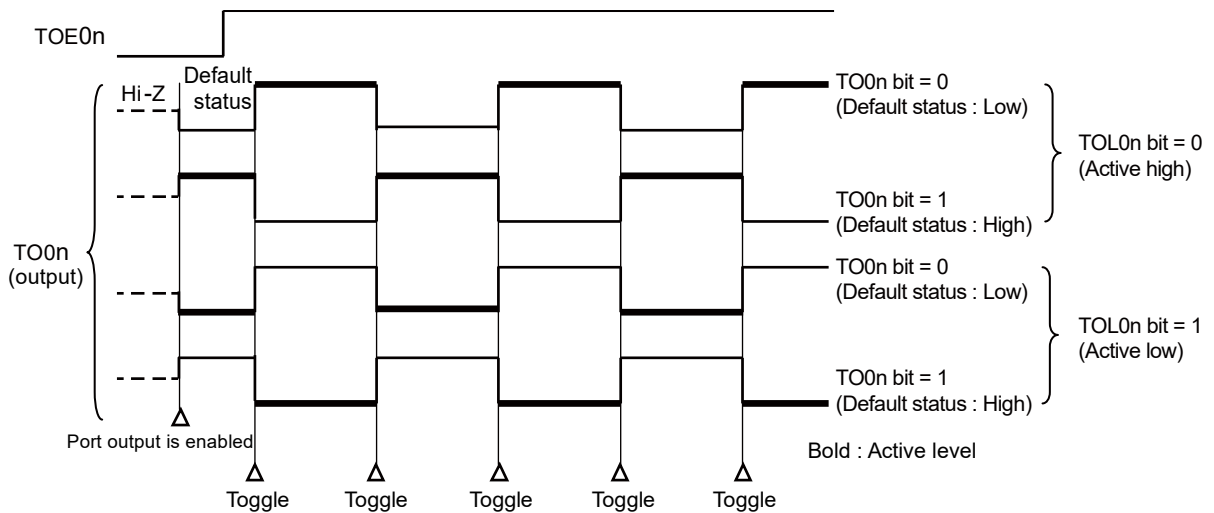
(2) Default level of TO0n pin and output level after timer operation start

The change in the output level of the TO0n pin when timer output register 0 (TO0) is written while timer output is disabled (TOE0n = 0), the initial level is changed, and then timer output is enabled (TOE0n = 1) before port output is enabled, is shown below.

(a) When operation starts with master channel output mode (TOM0n = 0) setting

The setting of timer output level register 0 (TOL0) is invalid when master channel output mode (TOM0n = 0). When the timer operation starts after setting the default level, the toggle signal is generated and the output level of the TO0n pin is reversed.

Figure 6-32. TO0n Pin Output Status at Toggle Output (TOM0n = 0)

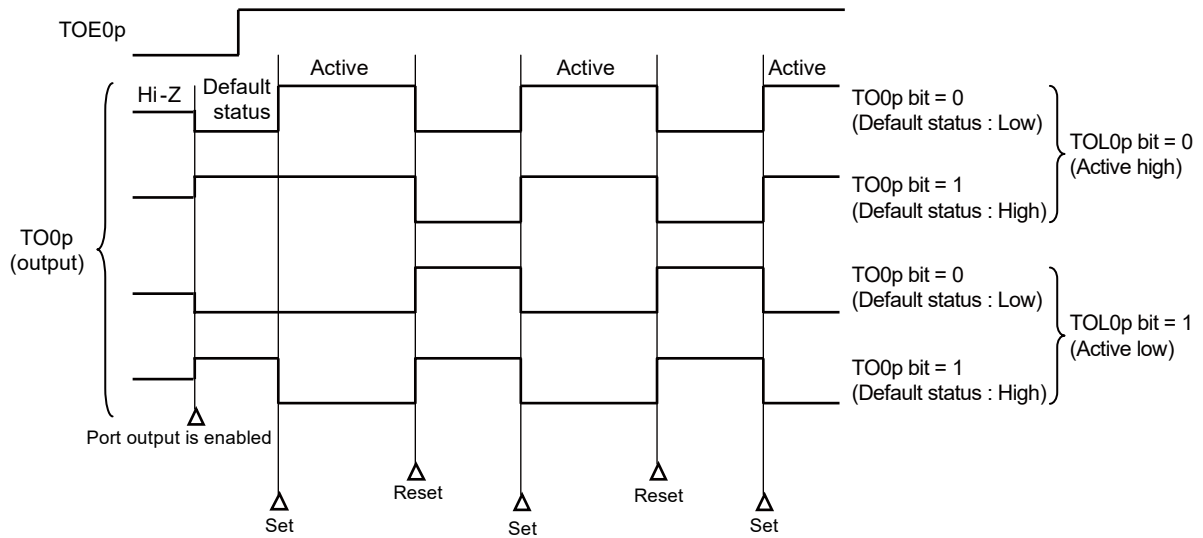


- Remarks** 1. Toggle: Reverse TO0n pin output status
- 2. n: Channel number (n = 0 to 3)

(b) When operation starts with slave channel output mode (TOM0p = 1) setting (PWM output)

When slave channel output mode (TOM0p = 1), the active level is determined by timer output level register 0 (TOL0p) setting.

Figure 6-33. TO0p Pin Output Status at PWM Output (TOM0p = 1)



Remarks 1. Set: The output signal of the TO0p pin changes from inactive level to active level.

Reset: The output signal of the TO0p pin changes from active level to inactive level.

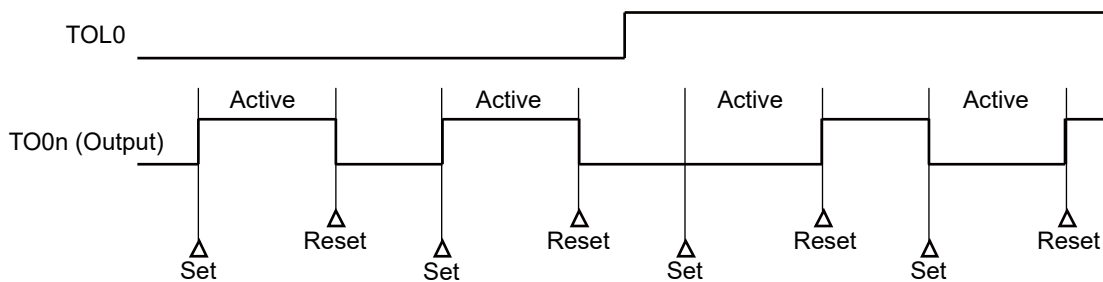
2. p: Channel number ($n < p \leq 3$)

(3) Operation of TO0n pin in slave channel output mode (TOM0n = 1)**(a) When timer output level register 0 (TOL0) setting has been changed during timer operation**

When the TOL0 register setting has been changed during timer operation, the setting becomes valid at the generation timing of the TO0n pin change condition. Rewriting the TOL0 register does not change the output level of the TO0n pin.

The operation when TOM0n is set to 1 and the value of the TOL0 register is changed while the timer is operating (TE0n = 1) is shown below.

Figure 6-34. Operation When TOL0 Register Has Been Changed During Timer Operation



Remarks 1. Set: The output signal of the TO0n pin changes from inactive level to active level.

Reset: The output signal of the TO0n pin changes from active level to inactive level.

2. n: Channel number (n = 0 to 3)

(b) Set/reset timing

To realize 0%/100% output at PWM output, the TO0n pin/TO0n bit set timing at master channel interrupt request signal (INTTM0n) generation is delayed by one cycle of the count clock (f_{rCLK}) by the slave channel.

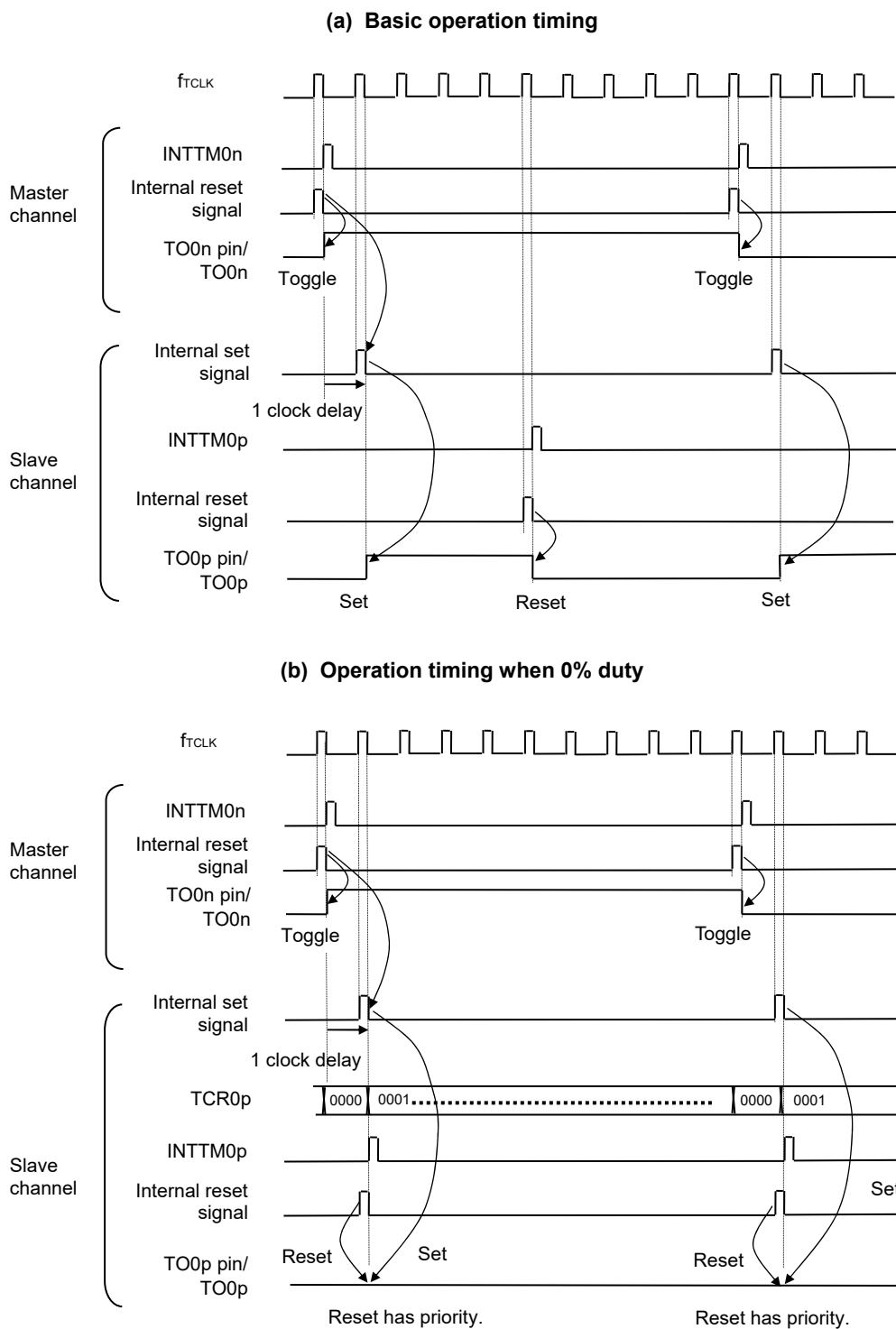
If the set condition and reset condition are generated at the same time, a higher priority is given to the latter.

Figure 6-35 shows the set/reset operating statuses where the master/slave channels are set as follows.

Master channel: TOE0n = 1, TOM0n = 0, TOL0n = 0

Slave channel: TOE0p = 1, TOM0p = 1, TOL0p = 0

Figure 6-35. Set/Reset Timing Operating Statuses



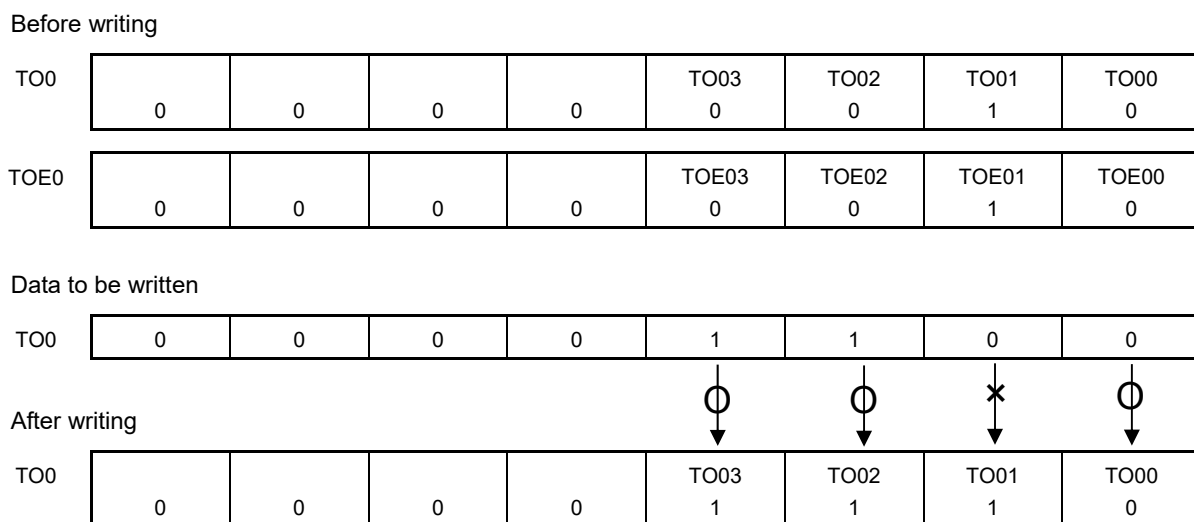
- Remarks**
1. Internal reset signal: TO0n pin reset/toggle signal
Internal set signal: TO0n pin set signal
 2. n: Master channel number (n = 0, 2)
p: Slave channel number (n < p ≤ 3)

6.6.4 Collective manipulation of TO0n bit

In timer output register 0 (TO0), the setting bits for all the channels are located in one register in the same way as timer channel start register 0 (TS0). Therefore, the TO0n bit of all the channels can be manipulated collectively.

Only the desired bits can also be manipulated by enabling writing only to the TO0n bits (TOE0n = 0) that correspond to the relevant bits of the channel used to perform output (TO0n).

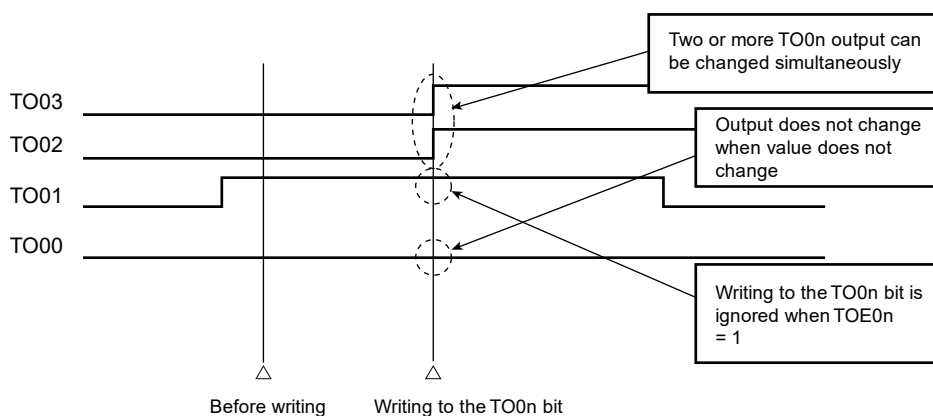
Figure 6-36. Example of TO0n Bit Collective Manipulation



Writing is done only to the TO0n bit with TOE0n = 0, and writing to the TO0n bit with TOE0n = 1 is ignored.

TO0n (channel output) to which TOE0n = 1 is set is not affected by the write operation. Even if the write operation is done to the TO0n bit, it is ignored and the output change by timer operation is normally done.

Figure 6-37. TO0n Pin Statuses by Collective Manipulation of TO0n Bit



Remark n: Channel number (n = 0 to 3)

6.6.5 Timer interrupt and TO0n pin output at count operation start

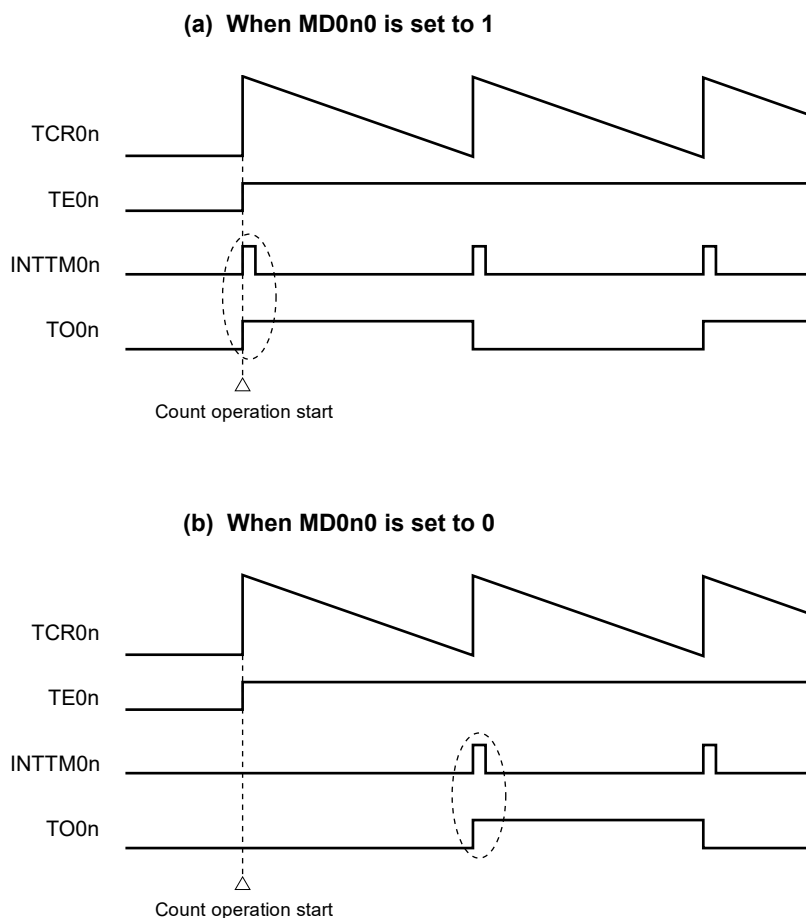
In the interval timer mode or capture mode, the MD0n0 bit in timer mode register 0n (TMR0n) sets whether or not to generate a timer interrupt at count start.

When MD0n0 is set to 1, the count operation start timing can be known by the interrupt request signal (INTTM0n) generation.

In the other modes, neither INTTM0n at count operation start nor TO0n output is controlled.

Figure 6-38 shows operation examples when the interval timer mode (TOE0n = 1, TOM0n = 0) is set.

Figure 6-38. Operation Examples of Timer Interrupt at Count Operation Start and TO0n Output



When MD0n0 is set to 1, the interrupt request signal (INTTM0n) is output at count operation start, and TO0n performs a toggle operation.

When MD0n0 is set to 0, the interrupt request signal (INTTM0n) is not output at count operation start, and TO0n does not change either. After counting one cycle, INTTM0n is output and TO0n performs a toggle operation.

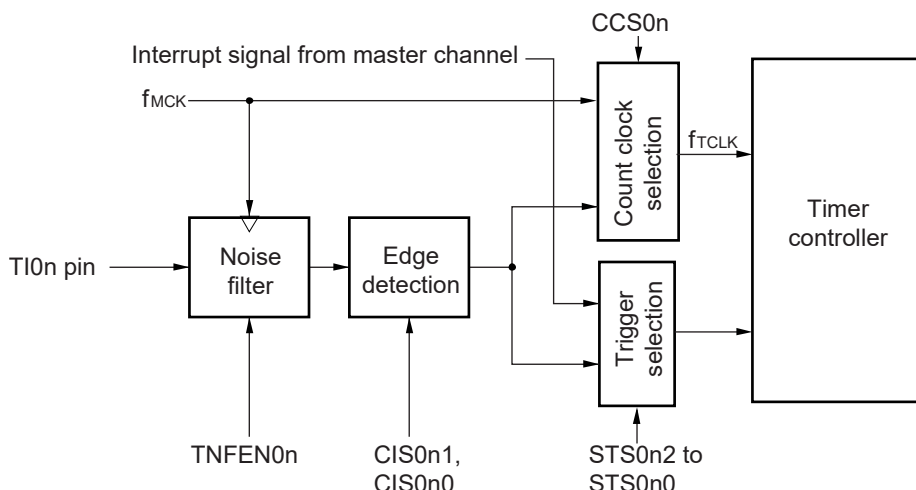
Remark n: Channel number (n = 0 to 3)

6.7 Timer Input (TI0n) Control

6.7.1 TI0n input circuit configuration

A signal is input from a timer input pin, goes through a noise filter and an edge detector, and is sent to a timer controller. Enable the noise filter for the pin in need of noise removal. The following shows the configuration of the input circuit.

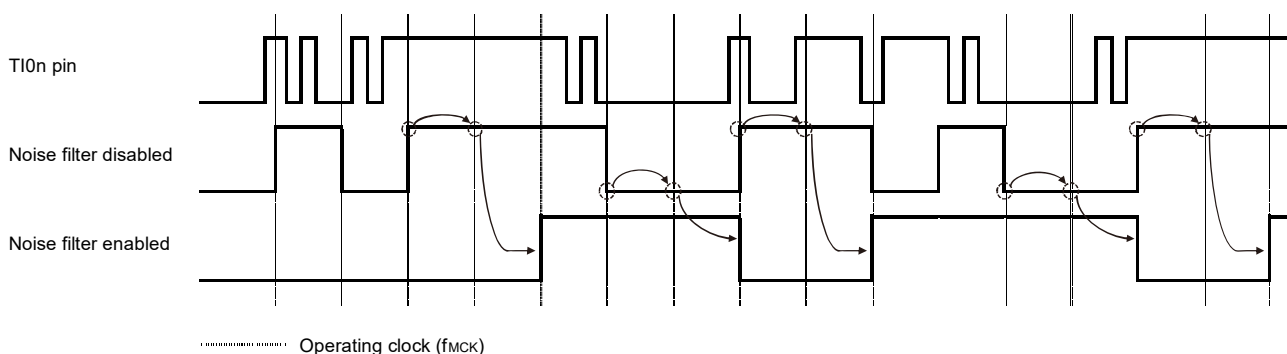
Figure 6-39. Input Circuit Configuration



6.7.2 Noise filter

When the noise filter is disabled, the input signal is only synchronized with the operating clock (f_{MCK}) for channel n . When the noise filter is enabled, after synchronization with the operating clock (f_{MCK}) for channel n , whether the signal keeps the same value for two clock cycles is detected. The following shows differences in waveforms output from the noise filter between when the noise filter for the TI0n pin is enabled and disabled.

Figure 6-40. Sampling Waveforms Through TI0n Input Pin with Noise Filter Enabled and Disabled



6.7.3 Cautions on channel input operation

When a timer input pin is set as unused, the operating clock is not supplied to the noise filter. Therefore, after settings are made to use the timer input pin, the following wait time is necessary before a trigger is specified to enable operation of the channel corresponding to the timer input pin.

(1) Noise filter is disabled

When bits 12 (CCS0n), 9 (STS0n1), and 8 (STS0n0) in the timer mode register 0n (TMR0n) are all 0 and then one of them is set to 1, wait for at least two cycles of the operating clock (f_{MCK}), and then set the operation enable trigger bit in the timer channel start register (TS0).

(2) Noise filter is enabled

When bits 12 (CCS0n), 9 (STS0n1), and 8 (STS0n0) in the timer mode register 0n (TMR0n) are all 0 and then one of them is set to 1, wait for at least four cycles of the operating clock (f_{MCK}), and then set the operation enable trigger bit in the timer channel start register (TS0).

6.8 Independent Channel Operation Function of Timer Array Unit

6.8.1 Operation as interval timer/square wave output

(1) Interval timer

The timer array unit can be used as a reference timer that generates the interrupt request signal (INTTM0n) at fixed intervals.

The INTTM0n generation period can be calculated by the following expression.

$$\text{Generation period of INTTM0n} = \text{Period of count clock} \times (\text{Set value of TDR0n} + 1)$$

When channel 1 or 3 is used as an 8-bit timer (SPLIT0n = 1), both the higher and lower 8-bit timers can be used as interval timers.

(2) Operation as square wave output

The TO0n pin performs a toggle operation as soon as INTTM0n has been generated, and outputs a square wave with a duty factor of 50%.

The period and frequency for outputting a square wave from TO0n can be calculated by the following expressions.

- Period of square wave output from TO0n pin = Period of count clock \times (Set value of TDR0n + 1) \times 2

- Frequency of square wave output from TO0n pin = Frequency of count clock / {(Set value of TDR0n + 1) \times 2}

When channel 1 or 3 is used as an 8-bit timer (SPLIT0n = 1), only the lower 8-bit timer can be used for square wave output.

The timer count register 0n (TCR0n) operates as a down counter in the interval timer mode.

The TCR0n register loads the value of the timer data register 0n (TDR0n) at the first count clock after the channel start trigger bit (TS0n, TSH01, TSH03) of the timer channel start register 0 (TS0, TSH0) is set to 1. If the MD0n0 bit of timer mode register 0n (TMR0n) is 0 at this time, INTTM0n is not output and TO0n is not toggled. If the MD0n0 bit of the TMR0n register is 1, INTTM0n is output and TO0n is toggled.

After that, the TCR0n register count down in synchronization with the count clock.

When TCR0n = 0000H, INTTM0n is output and TO0n is toggled at the next count clock. At the same time, the TCR0n register loads the value of the TDR0n register again. After that, the same operation is repeated.

The TDR0n register can be rewritten at any time. The new value of the TDR0n register becomes valid from the next period.

Remark n: Channel number (n = 0 to 3)

Figure 6-41. Block Diagram of Operation as Interval Timer/Square Wave Output

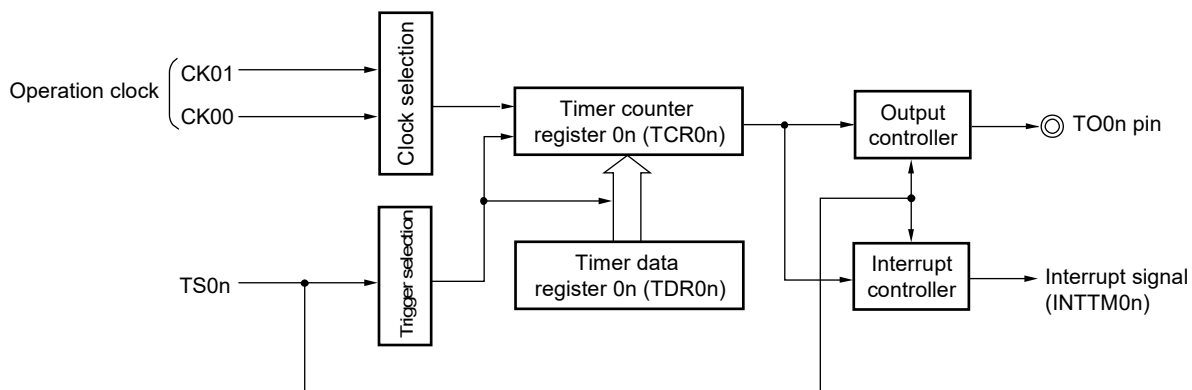
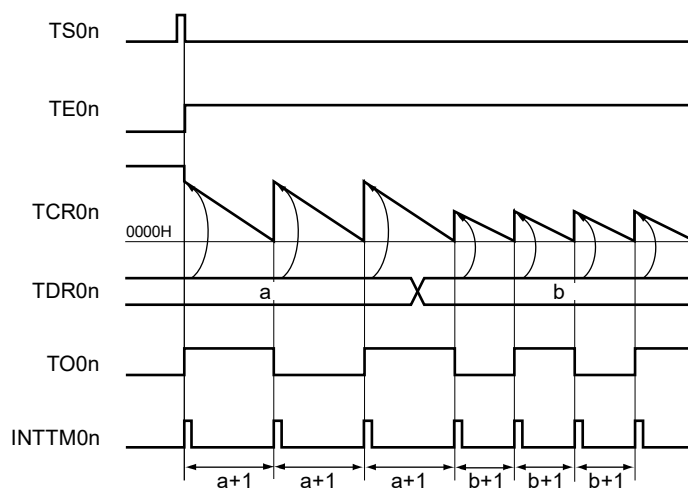


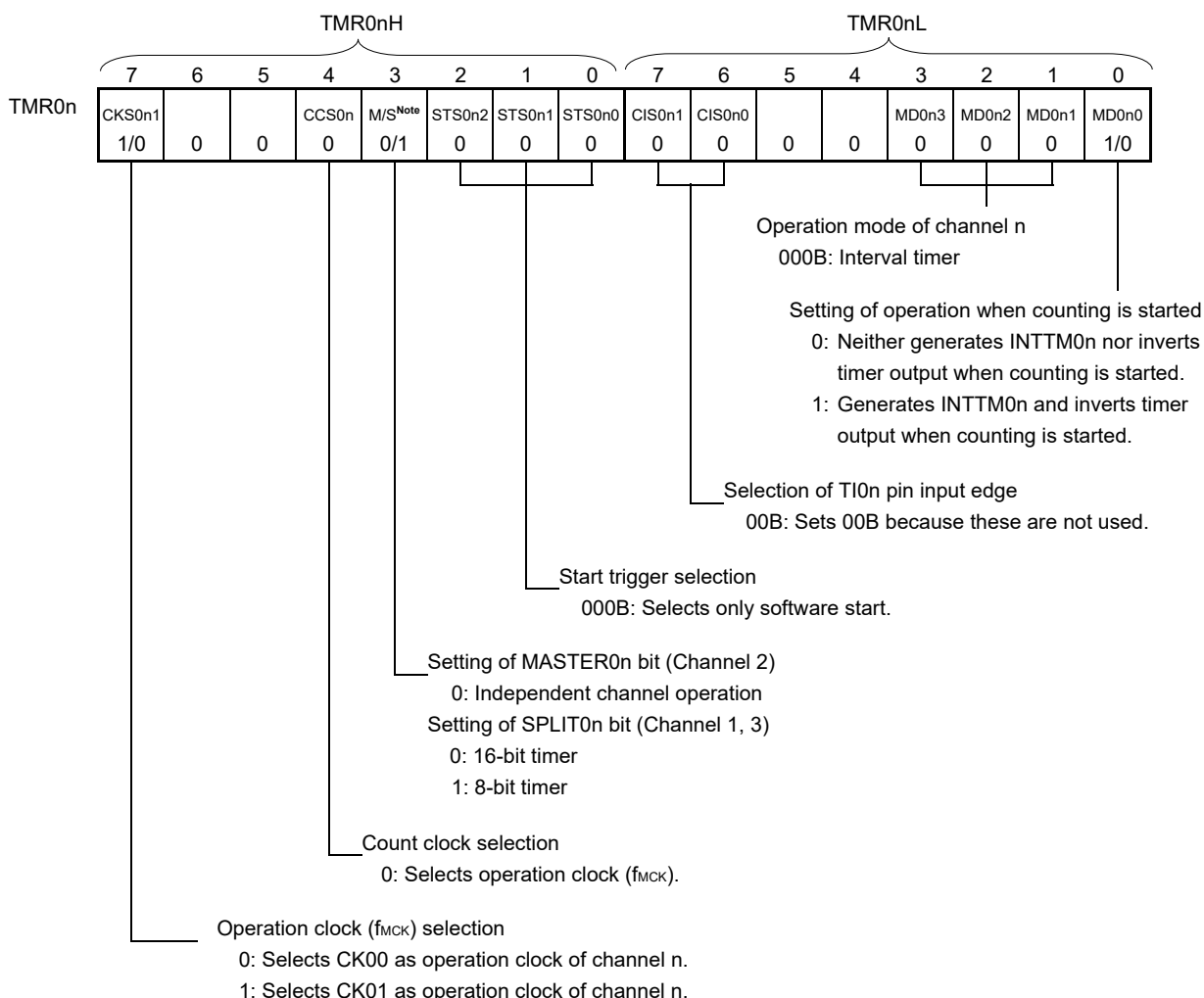
Figure 6-42. Example of Basic Timing of Operation as Interval Timer/Square Wave Output (MD0n0 = 1)



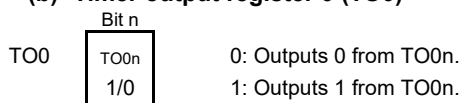
- Remarks**
1. n: Channel number (n = 0 to 3)
 2. TS0n: Bit n of timer channel start register 0 (TS0)
TE0n: Bit n of timer channel enable status register 0 (TE0)
TCR0n: Timer count register 0n (TCR0n)
TDR0n: Timer data register 0n (TDR0n)
TO0n: TO0n pin output signal

Figure 6-43. Example of Set Contents of Registers for Operation as Interval Timer/Square Wave Output (1/2)

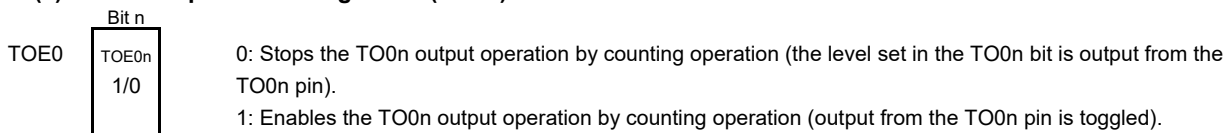
(a) Timer mode register 0n (TMR0nH, TMR0nL)



(b) Timer output register 0 (TO0)



(c) Timer output enable register 0 (TOE0)



Note TMR02: MASTER0n bit
TMR01, TMR03: SPLIT0n bit
TMR00: 0 fixed

Remark n: Channel number (n = 0 to 3)

Figure 6-43. Example of Set Contents of Registers for Operation as Interval Timer/Square Wave Output (2/2)**(d) Timer output level register 0 (TOL0)**

TOL0

Bit n
TOL0n
0

 0: Setting is invalid because master channel output mode is set (TOM0n = 0).

(e) Timer output mode register 0 (TOM0)

TOM0

Bit n
TOM0n
0

 0: Sets master channel output mode.

Remark n: Channel number (n = 0 to 3)

Figure 6-44. Procedure for Operating Interval Timer/Outputting Square Wave (1/2)

	Software operation	Hardware status
TAU default setting		Power-off status (Clock supply is stopped and writing to SFR of the TAU is disabled.)
	Sets the TAU0EN bit of peripheral enable register 0 (PER0) to 1 (when the TAU0EN bit is 0, read/write operation is disabled).	Power-on status. Each channel stops operating. (Clock supply is started and writing to SFR of the TAU is enabled.)
	Sets timer clock select register 0 (TPS0). Determines operating clock (CK00 and CK01) for each channel.	
Channel default setting	Sets timer mode register 0n (TMR0n) (determines operation mode for each channel). Sets interval (period) value in the timer data register 0n (TDR0n) (for the access procedure to the TDR0nH and TDR0nL registers, see 6.2.2 Timer data register 0n (TDR0n)).	Channel stops operating.
	Clears the target bit of timer output mode register 0 (TOM0) to 0 (master channel output mode). Clears the target bit of the TOL0 register to 0. To use square wave output: Sets the TO0n bit and determines default level of the TO0n output. Sets the TOE0n bit to 1 and enables operation of TO0n.	The TO0n pin goes into Hi-Z state. (The port mode register is set to input mode.)
	Clears the port register and port mode register to 0 (output mode is set).	TO0n does not change because channel stops operating (the TO0n pin is not affected even if the TO0n bit is modified). The level set in the TO0n bit is output from the TO0n pin.
Operation start	Sets the TOE0n bit to 1 and enables operation of TO0n (only if resuming square wave output operation). Sets the target bit of TS0 or TSH0 register to 1. The target bit of TS0 or TSH0 register automatically returns to 0 because it is a trigger bit.	The target bit of TE0 or TEH0 register is set to 1, and count operation starts. Value of the TDR0n register is loaded to timer count register 0n (TCR0n) at the next count clock. INTTM0n is generated and TO0n performs toggle operation if the MD0n0 bit of the TMR0nL register is 1.
During operation	The set value of the TDR0n register can be changed. The TCR0n register can always be read (for the access procedure to the TCR0nH and TCR0nL registers, see 6.2.1 Timer counter register 0n (TCR0n)). The set values in the target bits of the TO0 and TOE0 register can be changed. The set values in the target bits of the TMR0n, TOM0, and TOL0 registers cannot be changed.	Counter (TCR0n) counts down. When count value reaches 0000H, the value of the TDR0n register is loaded to the TCR0n register again and the count operation is continued. By detecting TCR0n = 0000H, INTTM0n is generated and TO0n performs toggle operation. After that, the above operation is repeated.
Operation stop	Sets the target bit of TT0 or TTH0 register to 1. The target bit of TT0 or TTH0 register automatically returns to 0 because it is a trigger bit.	The target bit of the TE0 or TEH0 register is cleared to 0, and count operation stops. The TCR0n register holds count value and stops. The TO0n output is not initialized but holds current status.
	Clears the TOE0n bit to 0 and sets a value in the TO0n bit.	The level set in the TO0n bit is output from the TO0n pin.

Operation is resumed.

(Caution and Remark are listed on the next page.)

Figure 6-44. Procedure for Operating Interval Timer/Outputting Square Wave (2/2)

	Software operation	Hardware status
TAU stop	To hold the TO0n pin output level Clears the TO0n bit to 0 after the value to be held (output latch) is set in the port register.	→ The TO0n pin output level is held by port function.
	Clears the TAU0EN bit of the PER0 register to 0.	→ Power-off status (Clock supply is stopped and SFR of the TAU is initialized.)

Caution When channels 1 and 3 are used in 8-bit timer mode (**SPLIT = 1**), it is prohibited to read the TCR01H and TDR01H registers or the TCR03H and TDR03H registers.

Remark n: Channel number (n = 0 to 3)

6.8.2 Operation as external event counter

The timer array unit can be used as an external event counter that counts the number of times the valid input edge (external event) is detected in the TI0n pin. When a specified count value is reached, the event counter generates the interrupt request signal (INTTM0n). The specified number of counts can be calculated by the following expression.

$$\text{Specified number of counts} = \text{Set value of TDR0n} + 1$$

When channel 1 or 3 is used as an 8-bit timer (SPLIT0n = 1), only the lower 8-bit timer can be used as the external event counter.

Timer count register 0n (TCR0n) operates as a down counter in the event counter mode.

The TCR0n register loads the value of timer data register 0n (TDR0n) by setting any channel start trigger bit (TS0n) of timer channel start register 0 (TS0) to 1.

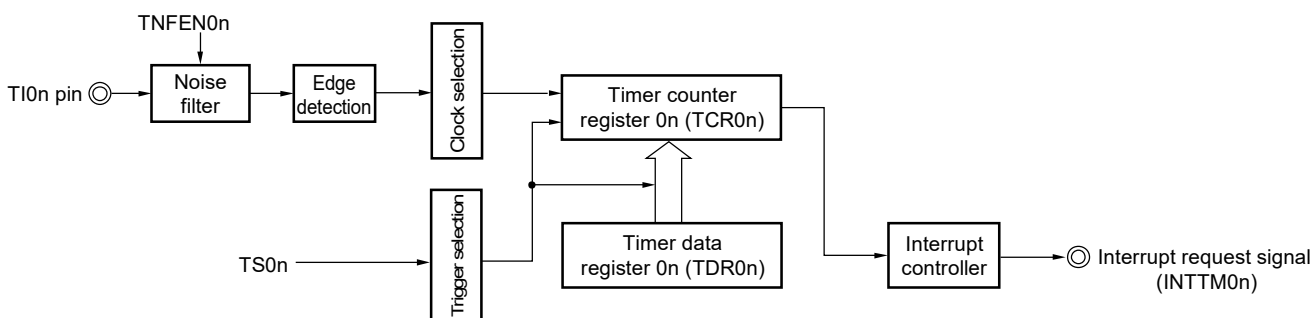
The TCR0n register counts down each time the valid input edge of the TI0n pin has been detected. When TCR0n = 0000H, the TCR0n register loads the value of the TDR0n register again, and outputs INTTM0n.

After that, the above operation is repeated.

An irregular waveform that depends on external events is output from the TO0n pin. Stop the output by setting the TOE0n bit of timer output enable register 0 (TOE0) to 0.

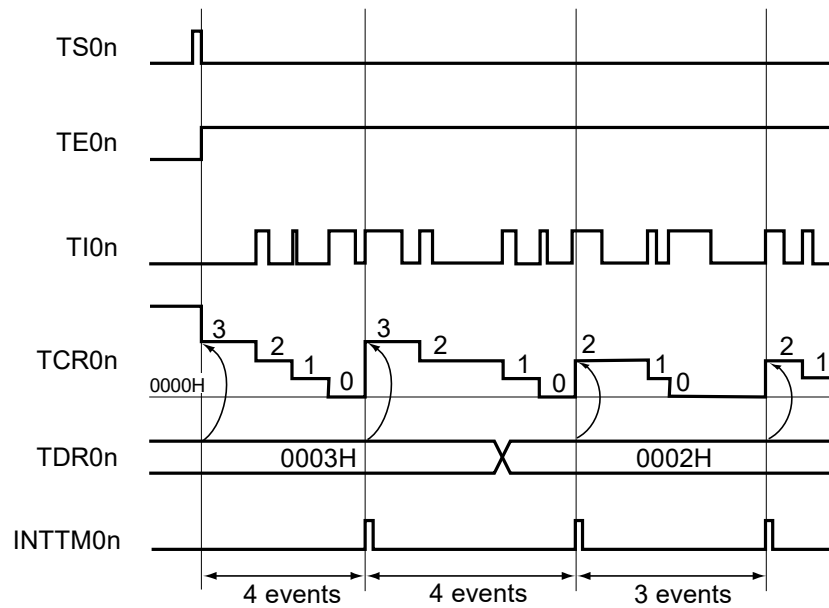
The TDR0n register can be rewritten at any time. The new value of the TDR0n register becomes valid during the next count period.

Figure 6-45. Block Diagram of Operation as External Event Counter



Remark n: Channel number (n = 0 to 3)

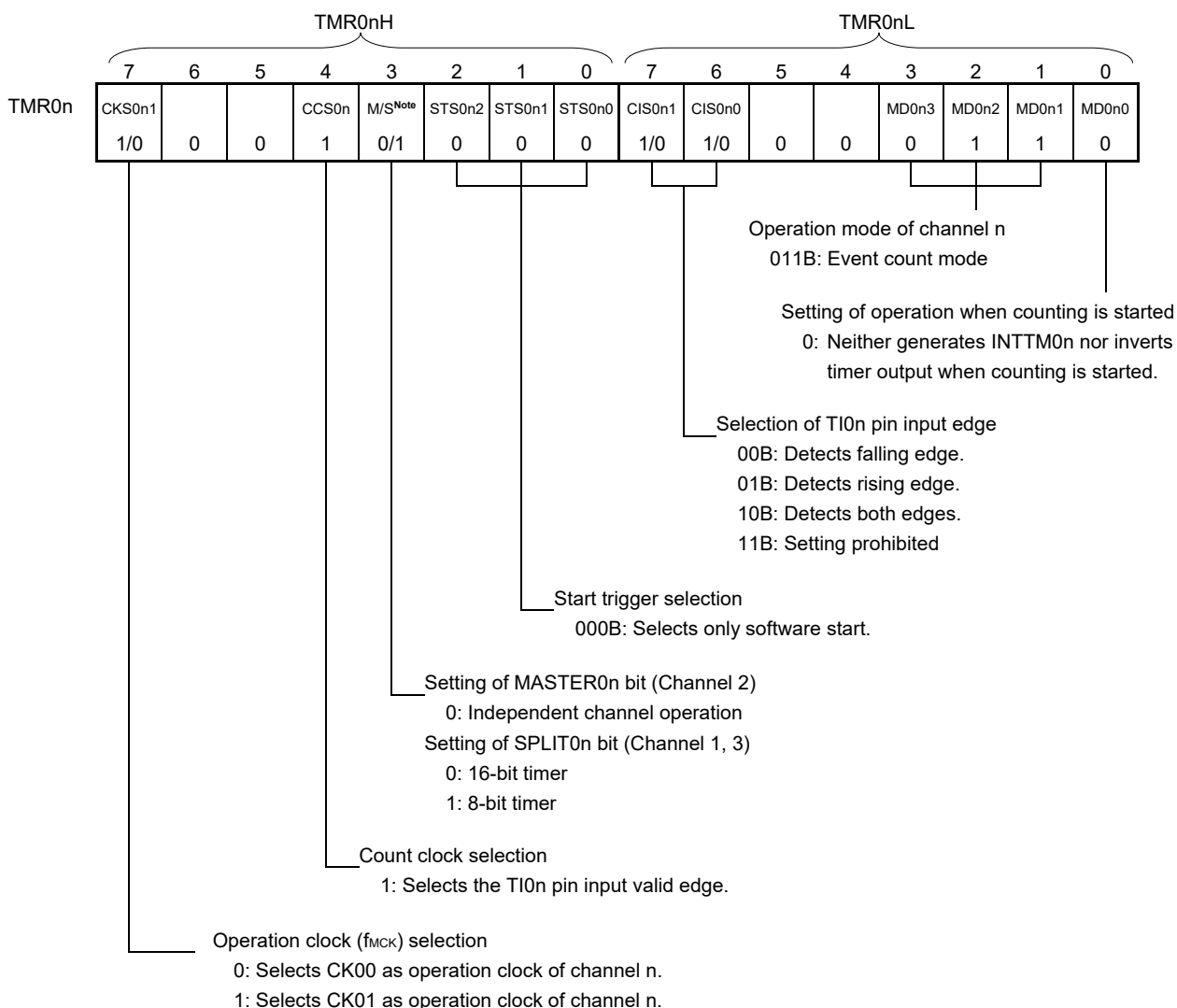
Figure 6-46. Example of Basic Timing of Operation as External Event Counter



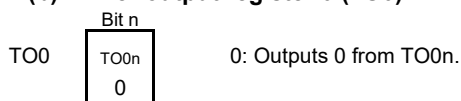
- Remarks**
1. n: Channel number (n = 0 to 3)
 2. TS0n: Bit n of timer channel start register 0 (TS0)
 TE0n: Bit n of timer channel enable status register 0 (TE0)
 TI0n: TI0n pin input signal
 TCR0n: Timer count register 0n (TCR0n)
 TDR0n: Timer data register 0n (TDR0n)

Figure 6-47. Example of Set Contents of Registers in External Event Counter Mode (1/2)

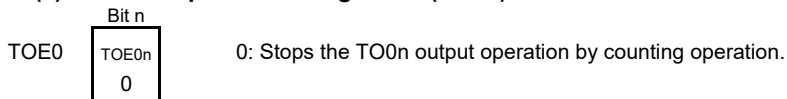
(a) Timer mode register 0n (TMR0nH, TMR0nL)



(b) Timer output register 0 (TO0)



(c) Timer output enable register 0 (TOE0)



Note TMR02: MASTER0n bit
 TMR01, TMR03: SPLIT0n bit
 TMR00: 0 fixed

Remark n: Channel number (n = 0 to 3)

Figure 6-47. Example of Set Contents of Registers in External Event Counter Mode (2/2)**(d) Timer output level register 0 (TOL0)**

TOL0

Bit n
TOL0n
0

 0: Setting is invalid because master channel output mode is set (TOM0n = 0).

(e) Timer output mode register 0 (TOM0)

TOM0

Bit n
TOM0n
0

 0: Sets master channel output mode.

Remark n: Channel number (n = 0 to 3)

Figure 6-48. Procedure for Operating External Event Counter

	Software operation	Hardware status
TAU default setting		Power-off status (Clock supply is stopped and writing to SFR of the TAU is disabled.)
	Sets the TAU0EN bit of peripheral enable register 0 (PER0) to 1 (when the TAU0EN bit is 0, read/write operation is disabled).	Power-on status. Each channel stops operating. (Clock supply is started and writing to SFR of the TAU is enabled.)
	Sets timer clock select register 0 (TPS0). Determines operating clock (CK00 and CK01) for each channel.	
Channel default setting	Sets noise filter enable register 1 (NFEN1). Sets timer mode register 0n (TMR0n) (determines operation mode for each channel and selects the detection edge). Sets number of counts in the timer data register 0n (TDR0n) (for the access procedure to the TDR0nH and TDR0nL registers, see 6.2.2 Timer data register 0n (TDR0n)). Clears the target bit of timer output mode register 0 (TOM0) to 0 (master channel output mode). Clears the target bit of the TOL0 register to 0. Clears the target bit of timer output enable register 0 (TOE0) to 0.	Channel stops operating.
Operation start	Sets the target bit of TS0 register to 1. The target bit of TS0 register automatically returns to 0 because it is a trigger bit.	The target bit of TE0 register is set to 1, and count operation starts. Value of the TDR0n register is loaded to timer count register 0n (TCR0n) and detection of the TI0n pin input edge is awaited.
During operation	The set value of the TDR0n register can be changed. The TCR0n register can always be read (for the access procedure to the TCR0nH and TCR0nL registers, see 6.2.1 Timer counter register 0n (TCR0n)). The set values in the target bits of the TMR0n, TO0, TOE0, TOM0, and TOL0 registers cannot be changed.	Counter (TCR0n) counts down each time input edge of the TI0n pin has been detected. When count value reaches 0000H, the value of the TDR0n register is loaded to the TCR0n register again, and the count operation is continued. By detecting TCR0n = 0000H, the INTTM0n is generated. After that, the above operation is repeated.
Operation stop	Sets the target bit of TT0 register to 1. The target bit of TT0 automatically returns to 0 because it is a trigger bit.	The target bit of TE0 register is cleared to 0, and count operation stops. The TCR0n register holds count value and stops.
TAU stop	Clears the TAU0EN bit of the PER0 register to 0.	Power-off status (Clock supply is stopped and SFR of the TAU is initialized.)

Operation is resumed.

Remark n: Channel number (n = 0 to 3)

6.8.3 Operation as frequency divider (only channels 0 and 3)

The timer array unit can be used as a frequency divider that divides a clock input to the TI0n pin and outputs the result clock from the TO0n pin.

The divided clock frequency output from TO0n can be calculated by the following expression.

- When rising edge/falling edge is selected:
Divided clock frequency = Input clock frequency / {(Set value of TDR0n + 1) × 2}
- When both edges are selected:
Divided clock frequency ≈ Input clock frequency / (Set value of TDR0n + 1)

Timer count register 0n (TCR0n) operates as a down counter in the interval timer mode.

After the channel start trigger bit (TS0n) of timer channel start register 0 (TS0) is set to 1, the TCR0n register loads the value of timer data register 0n (TDR0n) when the TI0n valid edge is detected.

If the MD00n bit of timer mode register 0n (TMR0n) is 0 at this time, INTTM0n is not output and TO0n is not toggled. If the MD00n bit of timer mode register 0n (TMR0n) is 1, INTTM0n is output and TO0n is toggled.

After that, the TCR0n register counts down at the valid edge of the TI0n pin. When TCR0n = 0000H, it toggles TO0n. At the same time, the TCR0n register loads the value of the TDR0n register again, and continues counting.

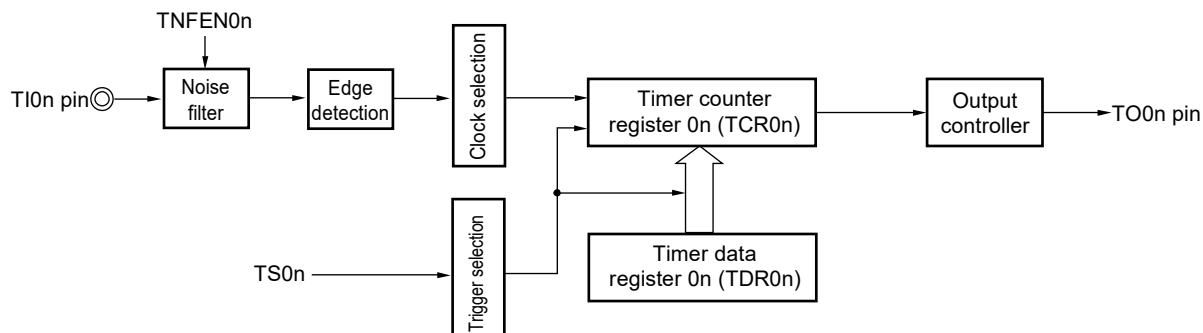
If detection of both the edges of the TI0n pin is selected, the duty factor error of the input clock affects the divided clock period of the TO0n output.

The period of the TO0n output clock includes a sampling error of a maximum of one operating clock (f_{MCK}) period.

$$\text{Clock period of TO0n output} = \text{Ideal TO0n output clock period} \pm \text{Operating clock period (error)}$$

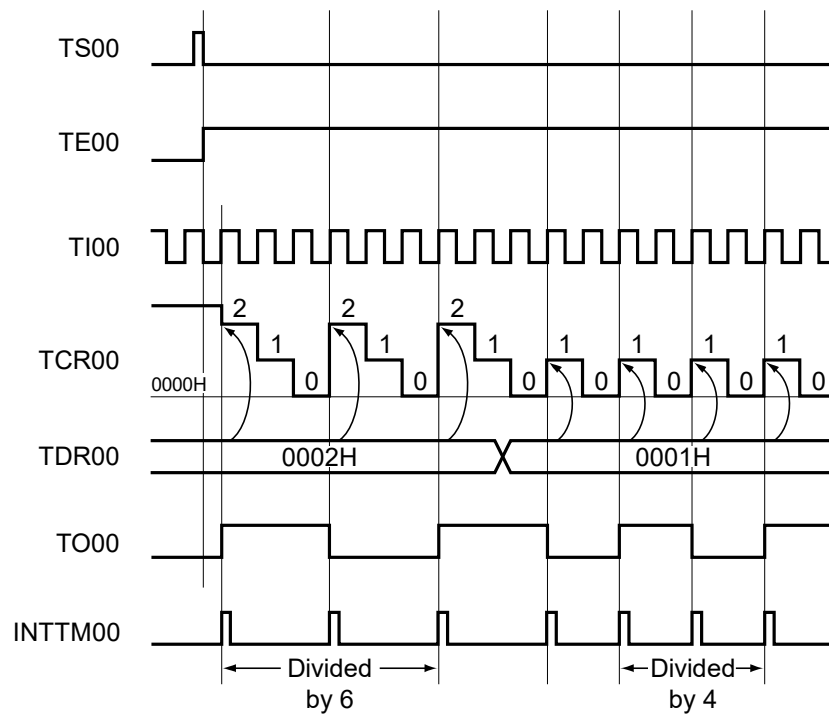
The TDR0n register can be rewritten at any time. The new value of the TDR0n register becomes valid during the next count period.

Figure 6-49. Block Diagram of Operation as Frequency Divider



Remark n = 0, 3

Figure 6-50. Example of Basic Timing of Operation as Frequency Divider (MD00n = 1)



Remark n: Channel number (n = 0, 3)

TS0n: Bit n of timer channel start register 0 (TS0)

TE0n: Bit n of timer channel enable status register 0 (TE0)

TI0n: TI0n pin input signal

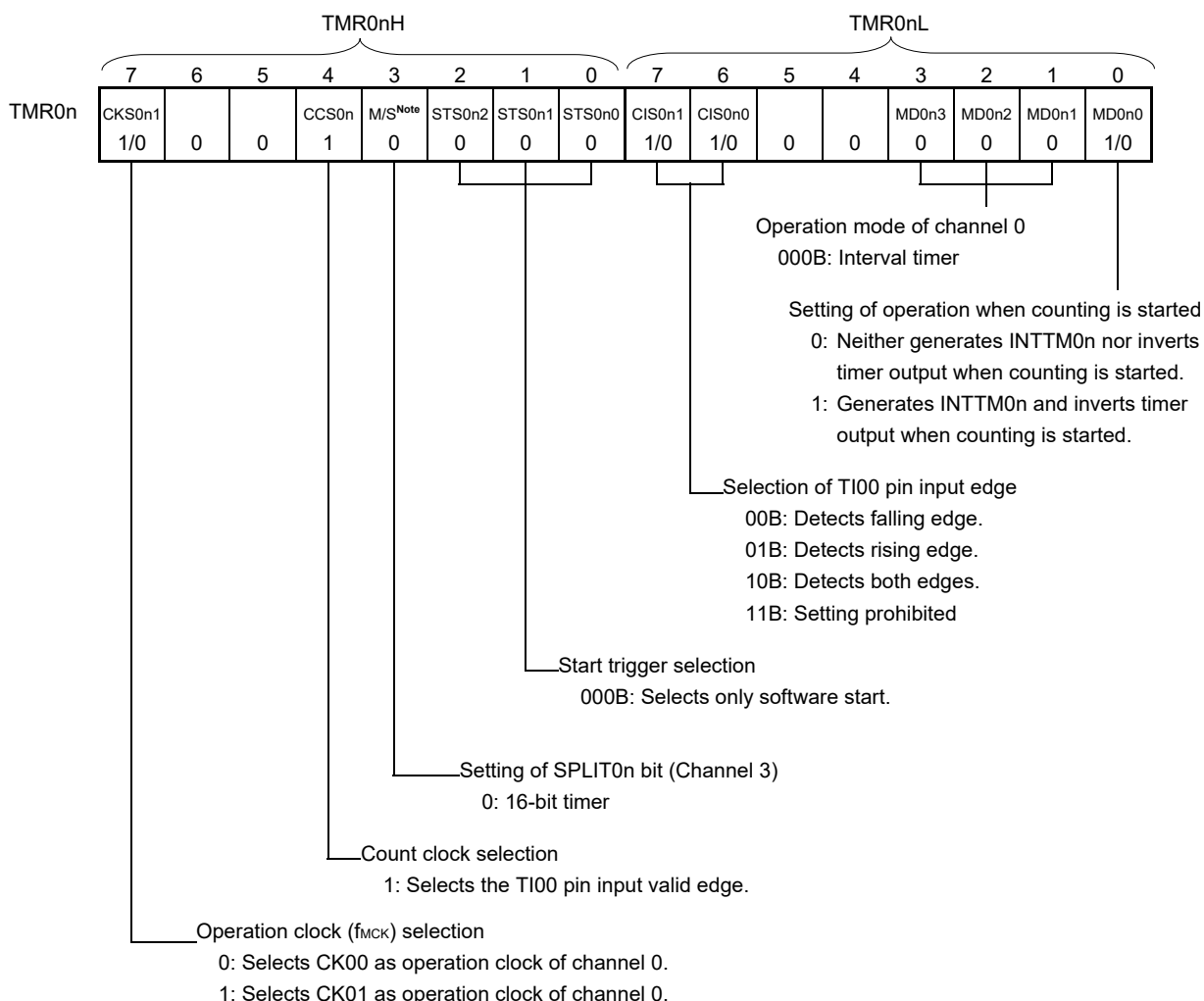
TCR0n: Timer count register 0n (TCR0n)

TDR0n: Timer data register 0n (TDR0n)

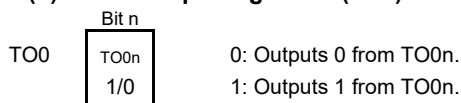
TO0n: TO0n pin output signal

Figure 6-51. Example of Set Contents of Registers During Operation as Frequency Divider (1/2)

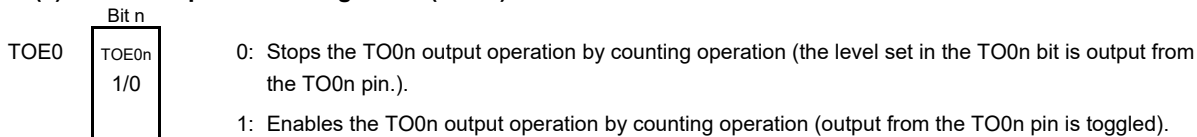
(a) Timer mode register 0n (TMR0nH, TMR0nL)



(b) Timer output register 0 (TO0)



(c) Timer output enable register 0 (TOE0)



Note TMR03: SPLIT03 bit
TMR00: 0 fixed

Remark n: Channel number (n = 0, 3)

Figure 6-51. Example of Set Contents of Registers During Operation as Frequency Divider (2/2)**(d) Timer output level register 0 (TOL0)**

TOL0

Bit n
TOL0n
0

 0: Setting is invalid because master channel output mode is set (TOM0n = 0).

(e) Timer output mode register 0 (TOM0)

TOM0

Bit n
TOM0n
0

 0: Sets master channel output mode.

Remark n: Channel number (n = 0, 3)

Figure 6-52. Procedure for Operating Frequency Divider

	Software operation	Hardware status
TAU default setting		Power-off status (Clock supply is stopped and writing to SFR of the TAU is disabled.)
	Sets the TAU0EN bit of peripheral enable register 0 (PER0) to 1 (when the TAU0EN bit is 0, read/write operation is disabled).	Power-on status. Each channel stops operating. (Clock supply is started and writing to SFR of the TAU is enabled.)
	Sets timer clock select register 0 (TPS0). Determines operating clock (CK00 and CK01) for each channel.	
Channel default setting	Sets noise filter enable register 1 (NFEN1). Sets timer mode register 0n (TMR0n) (determines operation mode for each channel and selects the detection edge). Sets interval (period) value in the timer data register 0n (TDR0n) (for the access procedure to the TDR0nH and TDR0nL registers, see 6.2.2 Timer data register 0n (TDR0n)).	Channel stops operating.
	Clears the target bit of timer output mode register 0 (TOM0) to 0 (master channel output mode). Clears the target bit of the TOL0 register to 0. Sets the TO0n bit and determines default level of the TO0n output. Sets the TOE0n bit to 1 and enables operation of TO0n. Clears the port register and port mode register to 0 (output mode is set).	The TO0n pin goes into Hi-Z state. (The port mode register is set to input mode.) TO0n does not change because channel stops operating (the TO0p pin is not affected even if the TO0p bit is modified). The level set in the TO0n bit is output from the TO0n pin.
Operation start	Sets the TOE0n bit to 1 and enables operation of TO0n (only when operation is resumed). Sets the target bit of TS0 register to 1. The target bit of TS0 register automatically returns to 0 because it is a trigger bit.	The target bit of TE0 register is set to 1, and count operation starts. Value of the TDR0n register is loaded to timer count register 0n (TCR0n) at the next count clock. INTTM0n is generated and TO0n performs toggle operation if the MD0n0 bit of the TMR0nL register is 1.
During operation	The set value of the TDR0n register can be changed. The TCR0n register can always be read (for the access procedure to the TCR0nH and TCR0nL registers, see 6.2.1 Timer counter register 0n (TCR0n)). The set values in the target bits of the TO0 and TOE0 registers can be changed. The set values in the target bits of the TMR0n, TOM0, and TOL0 registers cannot be changed.	Counter (TCR0n) counts down. When count value reaches 0000H, the value of the TDR0n register is loaded to the TCR0n register again, and the count operation is continued. By detecting TCR0n = 0000H, INTTM0n is generated and TO0n performs toggle operation. After that, the above operation is repeated.
Operation stop	Sets the target bit of TT0 register is to 1. The target bit of TT0 automatically returns to 0 because it is a trigger bit.	The target bit of TE0n register is cleared to 0, and count operation stops. The TCR0n register holds count value and stops. The TO0n output is not initialized but holds current status.
	Clears the TOE0n bit to 0 and sets a value in the TO0n bit.	The level set in the TO0n bit is output from the TO0n pin.
TAU stop	To hold the TO0n pin output level Clears the TO0n bit to 0 after the value to be held (output latch) is set to the port register.	The TO0n pin output level is held by port function.
	Clears the TAU0EN bit of the PER0 register to 0.	Power-off status (Clock supply is stopped and SFR of the TAU is initialized.)

Operation is resumed.

Remark n: Channel number (n = 0, 3)

6.8.4 Operation as input pulse interval measurement

The count value can be captured on detection of a valid edge of TI0n pin input and the interval of the pulse input to TI0n pin can be measured. In addition, the count value can be captured by setting TS0n to 1 by software during the period of TE0n = 1.

For the UART0 baud rate correction, set bit 1 (ISC1) of the input switch control register (ISC) to 1.

In the following descriptions, read TI0n as RXD0. When the ISC1 bit is set to 1, the input signal of the serial data input (RXD0) pin is selected as a timer input (TI01). The width at the baud rate (transfer rate) of the other party in communications can be measured by using the input pulse interval measurement mode with the input edge signal of the start bit as a trigger.

The input pulse interval can be calculated by the following expression.

$$TI0n \text{ input pulse interval} = \text{Period of count clock} \times ((10000H \times TSR0n: OVF) + (\text{Capture value of } TDR0n + 1))$$

Caution The TI0n pin input is sampled using the operating clock (f_{MCK}) selected with the CKS0n1 bit of timer mode register 0n (TMR0n), so an error of one cycle of the operating clock (f_{MCK}) occurs.

Timer count register 0n (TCR0n) operates as an up counter in the capture mode.

When the channel start trigger bit (TS0n) of timer channel start register 0 (TS0) is set to 1, the TCR0n register counts up from 0000H in synchronization with the count clock.

When the TI0n pin input valid edge is detected, the count value of the TCR0n register is transferred (captured) to timer data register 0n (TDR0n) and, at the same time, the TCR0n register is cleared to 0000H, and the INTTM0n is output. If the counter overflows at this time, the OVF bit of timer status register 0n (TSR0n) is set to 1. If the counter does not overflow, the OVF bit is cleared. After that, the above operation is repeated.

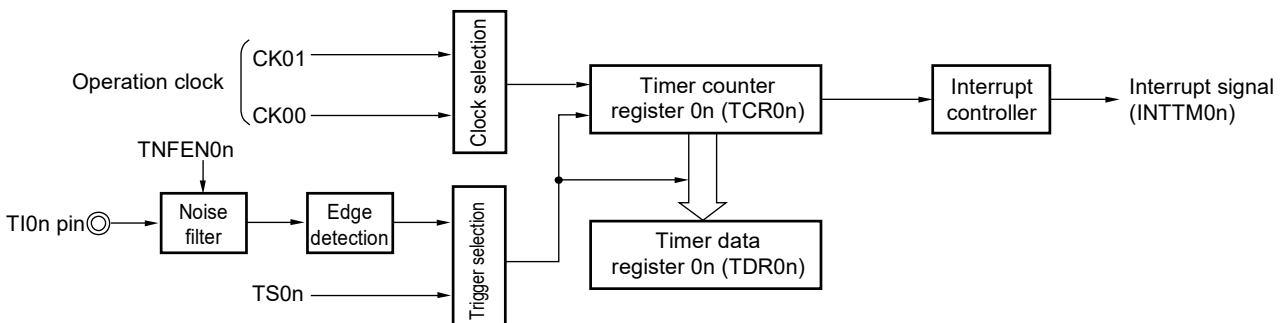
As soon as the count value has been captured to the TDR0n register, the OVF bit of the TSR0n register is updated depending on whether the counter overflows during the measurement period. Therefore, the overflow status of the captured value can be checked.

If the counter reaches a full count for two or more periods, it is judged to be an overflow occurrence, and the OVF bit of the TSR0n register is set to 1. However, a normal interval value cannot be measured for the OVF bit, if two or more overflows occur.

Set the STS0n2 to STS0n0 bits of the TMR0n register to 001B to use the valid edges of TI0n as a start trigger and a capture trigger.

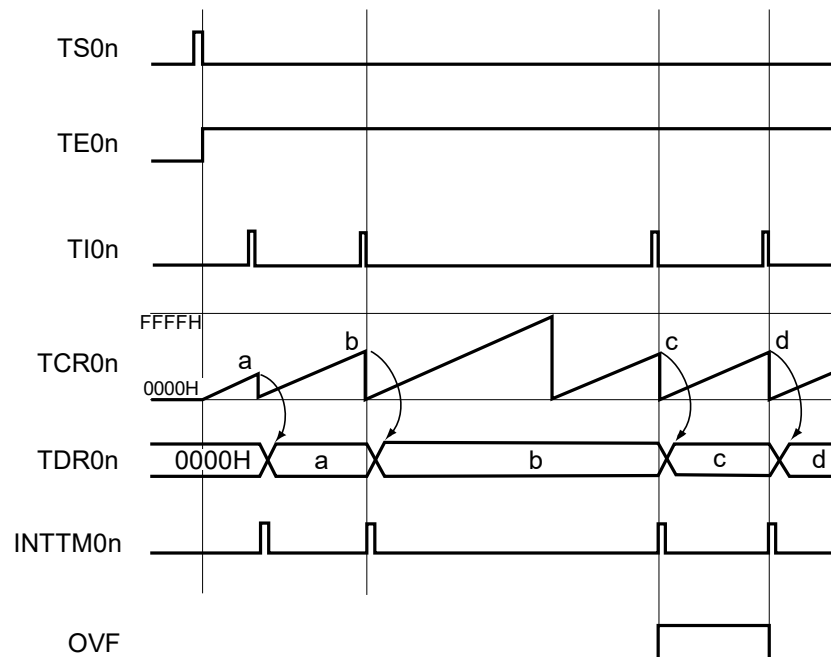
In addition, a software operation (TS0n = 1) can be used as a capture trigger, instead of using the TI0n pin input. When TS0n is set to 1 during TE0n = 1, the count value is captured in synchronization with the operating clock (f_{MCK}).

Figure 6-53. Block Diagram of Operation as Input Pulse Interval Measurement



Remark n: Channel number (n = 0 to 3)

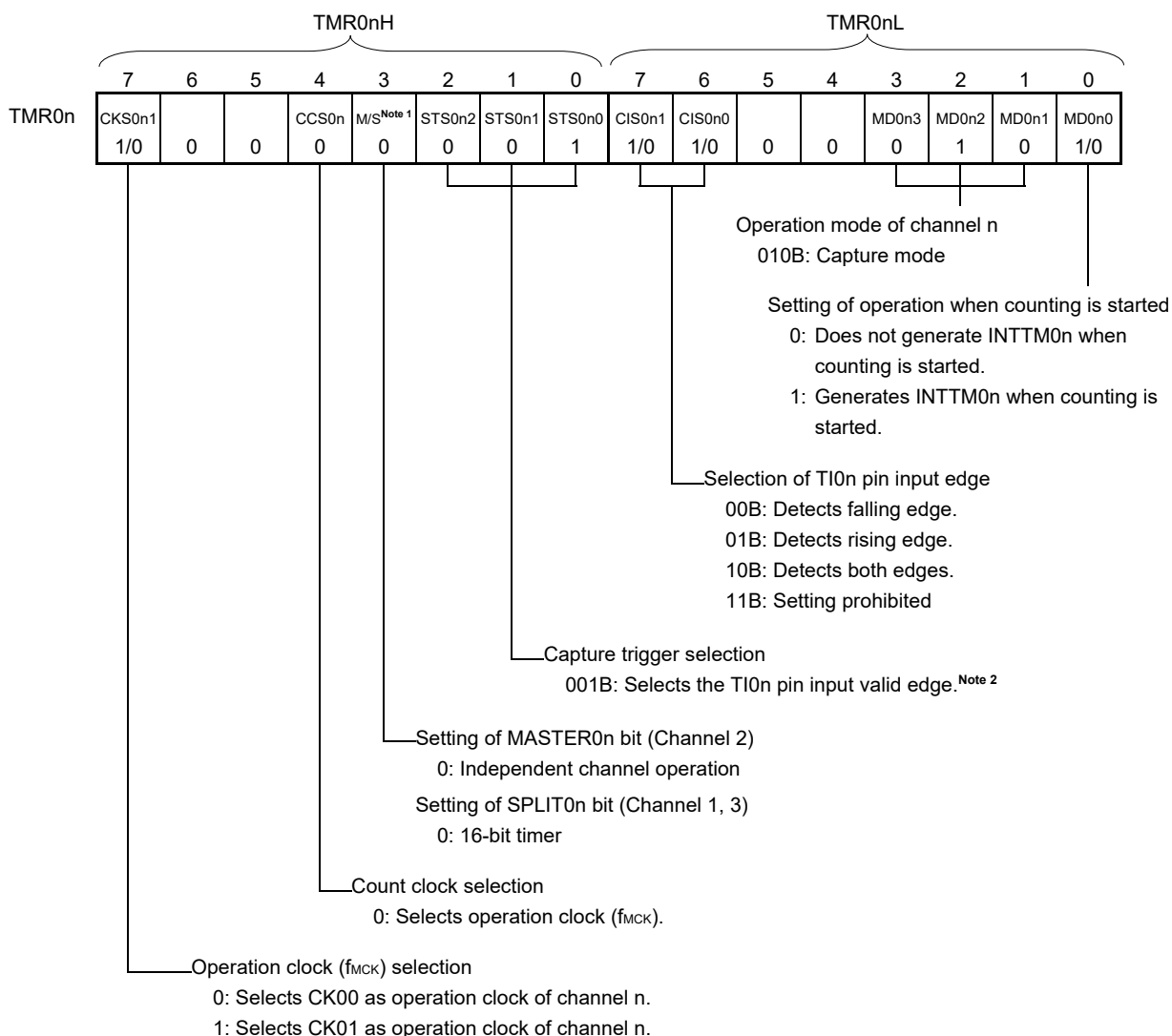
Figure 6-54. Example of Basic Timing of Operation as Input Pulse Interval Measurement (MD0n0 = 0)



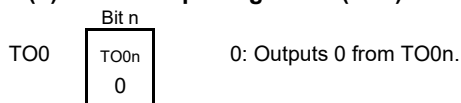
- Remarks**
1. n: Channel number (n = 0 to 3)
 2. TS0n: Bit n of timer channel start register 0 (TS0)
 - TE0n: Bit n of timer channel enable status register 0 (TE0)
 - TI0n: TI0n pin input signal
 - TCR0n: Timer count register 0n (TCR0n)
 - TDR0n: Timer data register 0n (TDR0n)
 - OVF: Bit 0 of timer status register 0n (TSR0n)

Figure 6-55. Example of Set Contents of Registers to Measure Input Pulse Interval (1/2)

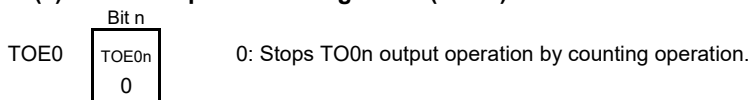
(a) Timer mode register 0n (TMR0nH, TMR0nL)



(b) Timer output register 0 (TO0)



(c) Timer output enable register 0 (TOE0)



- Notes**
1. TMR02: MASTER0n bit
 TMR01, TMR03: SPLIT0n bit
 TMR00: 0 fixed
 2. A software operation (TS0n = 1) can be used as a start trigger, instead of using the TI0n pin input.

Remark n: Channel number (n = 0 to 3)

Figure 6-55. Example of Set Contents of Registers to Measure Input Pulse Interval (2/2)**(d) Timer output level register 0 (TOL0)**

TOL0

Bit n
TOL0n
0

 0: Setting is invalid because master channel output mode is set (TOM0n = 0).

(e) Timer output mode register 0 (TOM0)

TOM0

Bit n
TOM0n
0

 0: Sets master channel output mode.

Remark n: Channel number (n = 0 to 3)

Figure 6-56. Procedure for Measuring Input Pulse Interval

	Software operation	Hardware status
TAU default setting		Power-off status (Clock supply is stopped and writing to SFR of the TAU is disabled.)
	Sets the TAU0EN bit of peripheral enable register 0 (PER0) to 1 (when the TAU0EN bit is 0, read/write operation is disabled).	Power-on status. Each channel stops operating. (Clock supply is started and writing to SFR of the TAU is enabled.)
	Sets timer clock select register 0 (TPS0). Determines operating clock (CK00 and CK01) for each channel.	
Channel default setting	Sets noise filter enable register 1 (NFEN1). Sets timer mode register 0n (TMR0n) (determines operation mode for each channel and selects the detection edge). Clears the target bit of timer output mode register 0 (TOM0) to 0 (master channel output mode). Clears the target bit of the TOL0 register to 0. Clears the target bit of the timer output enable register (TOE0n) to 0.	Channel stops operating.
Operation start	Sets the target bit of TS0 register to 1. The target bit of TS0 register automatically returns to 0 because it is a trigger bit.	The target bit of TE0 register is set to 1, and count operation starts. Timer count register 0n (TCR0n) is cleared to 0000H at the next count clock. When the MD0n0 bit of the TMR0n register is 1, INTTM0n is generated.
During operation	The set values of only the CIS0n1 and CIS0n0 bits of the TMR0n register can be changed. The TDR0n register can always be read (for the access procedure to the TDR0nH and TDR0nL registers, see 6.2.2 Timer data register 0n (TDR0n)). The TCR0n register can always be read (for the access procedure to the TCR0nH and TCR0nL registers, see 6.2.1 Timer counter register 0n (TCR0n)). The TSR0n register can always be read. The set values in the target bits of the TO0, TOE0, TOM0n, and TOL0n registers cannot be changed.	Counter (TCR0n) counts up from 0000H. When the TI0n pin input valid edge is detected or the TS0n bit is set to 1, the count value is transferred (captured) to timer data register 0n (TDR0n). At the same time, the TCR0n register is cleared to 0000H, and the INTTM0n signal is generated. If an overflow occurs at this time, the OVF bit of timer status register 0n (TSR0n) is set; if an overflow does not occur, the OVF bit is cleared. After that, the above operation is repeated.
Operation stop	Sets the target bit of TT0 register to 1. The target bit of TT0 register automatically returns to 0 because it is a trigger bit.	The target bit of TE0 register is cleared to 0, and count operation stops. The TCR0n register holds count value and stops. The OVF bit of the TSR0n register is also held.
TAU stop	Clears the TAU0EN bit of the PER0 register to 0.	Power-off status (Clock supply is stopped and SFR of the TAU is initialized.)

Operation is resumed.

Remark n: Channel number (n = 0 to 3)

6.8.5 Operation as input signal high-/low-level width measurement

By starting counting at one edge of the TI0n pin input and capturing the number of counts at another edge, the signal width (high-level width/low-level width) of TI0n can be measured. The signal width of TI0n can be calculated by the following expression.

$$\text{Signal width of TI0n input} = \text{Period of count clock} \times ((10000\text{H} \times \text{TSR0n: OVF}) + (\text{Capture value of TDR0n} + 1))$$

Caution The TI0n pin input is sampled using the operating clock (f_{MCK}) selected with the CKS0n1 bit of timer mode register 0n (TMR0n), so an error of one cycle of the operating clock (f_{MCK}) occurs.

Timer count register 0n (TCR0n) operates as an up counter in the capture & one-count mode.

When the channel start trigger bit (TS0n) of timer channel start register 0 (TS0) is set to 1, the TE0n bit is set to 1 and the TI0n pin start edge detection wait status is set.

When the TI0n pin input start edge (rising edge of the TI0n pin input when the high-level width is to be measured) is detected, the counter counts up from 0000H in synchronization with the count clock. When the valid capture edge (falling edge of the TI0n pin input when the high-level width is to be measured) is detected later, the count value is transferred to timer data register 0n (TDR0n) and, at the same time, INTTM0n is output. If the counter overflows at this time, the OVF bit of timer status register 0n (TSR0n) is set to 1. If the counter does not overflow, the OVF bit is cleared. The TCR0n register stops at the value "value transferred to the TDR0n register + 1", and the TI0n pin start edge detection wait status is set. After that, the above operation is repeated.

As soon as the count value has been captured to the TDR0n register, the OVF bit of the TSR0n register is updated depending on whether the counter overflows during the measurement period. Therefore, the overflow status of the captured value can be checked.

If the counter reaches a full count for two or more periods, it is judged to be an overflow occurrence, and the OVF bit of the TSR0n register is set to 1. However, a normal interval value cannot be measured for the OVF bit, if two or more overflows occur.

Whether the high-level width or low-level width of the TI0n pin is to be measured can be selected by using the CIS0n1 and CIS0n0 bits of the TMR0n register.

Because this function is used to measure the signal width of the TI0n pin input, the TS0n bit cannot be set to 1 while the TE0n bit is 1.

CIS0n1, CIS0n0 of TMR0n register = 10B: Low-level width is measured.

CIS0n1, CIS0n0 of TMR0n register = 11B: High-level width is measured.

Figure 6-57. Block Diagram of Operation as Input Signal High-/Low-Level Width Measurement

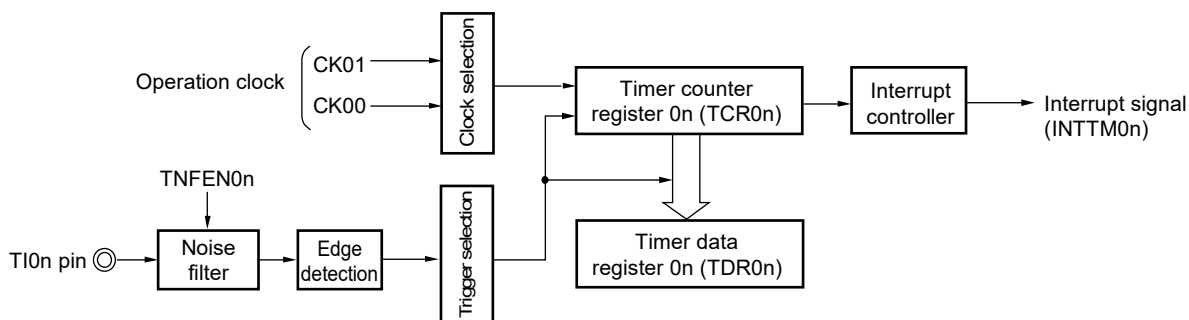
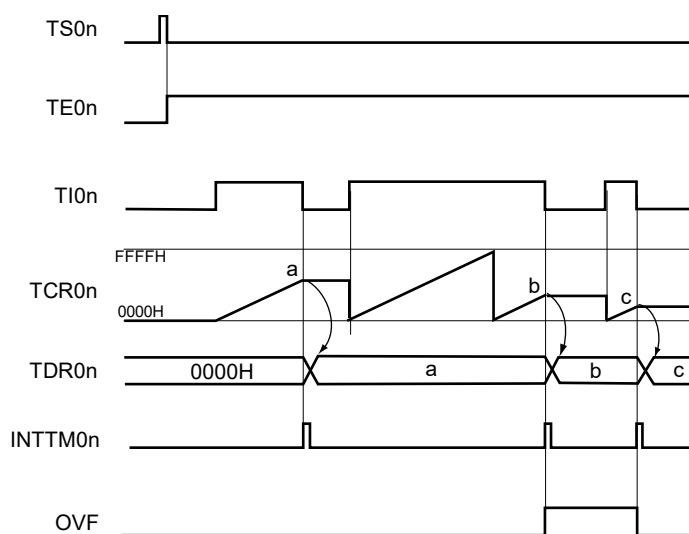


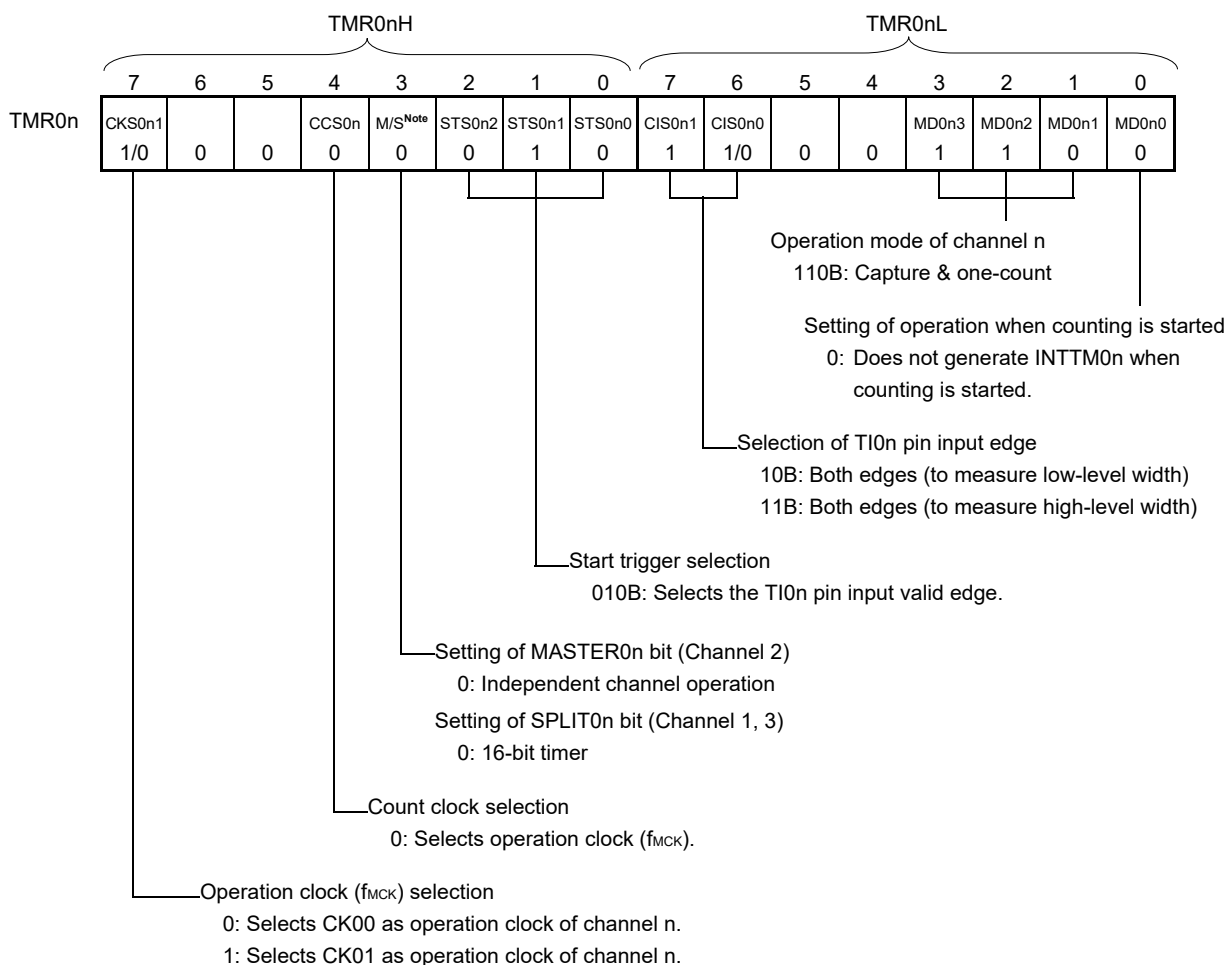
Figure 6-58. Example of Basic Timing of Operation as Input Signal High-/Low-Level Width Measurement



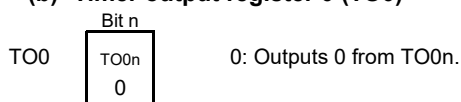
- Remarks**
1. n: Channel number (n = 0 to 3)
 2. TS0n: Bit n of timer channel start register 0 (TS0)
 - TE0n: Bit n of timer channel enable status register 0 (TE0)
 - TI0n: TI0n pin input signal
 - TCR0n: Timer count register 0n (TCR0n)
 - TDR0n: Timer data register 0n (TDR0n)
 - OVF: Bit 0 of timer status register 0n (TSR0n)

Figure 6-59. Example of Set Contents of Registers to Measure Input Signal High-/Low-Level Width (1/2)

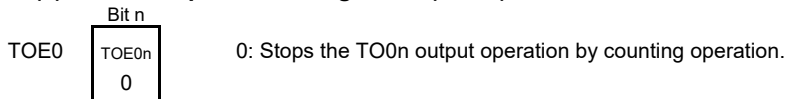
(a) Timer mode register 0n (TMR0nH, TMR0nL)



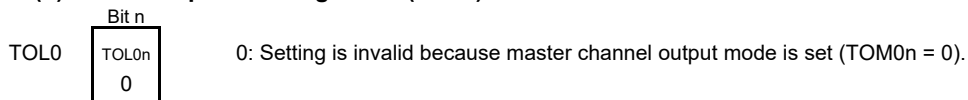
(b) Timer output register 0 (TO0)



(c) Timer output enable register 0 (TOE0)

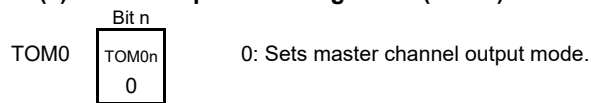


(d) Timer output level register 0 (TOL0)



Note TMR02: MASTER0n bit
TMR01, TMR03: SPLIT0n bit
TMR00: 0 fixed

Remark n: Channel number (n = 0 to 3)

Figure 6-59. Example of Set Contents of Registers to Measure Input Signal High-/Low-Level Width (2/2)**(e) Timer output mode register 0 (TOM0)**

Remark n: Channel number (n = 0 to 3)

Figure 6-60. Procedure for Measuring Input Signal High-/Low-Level Width

	Software operation	Hardware status
TAU default setting		Power-off status (Clock supply is stopped and writing to SFR of the TAU is disabled.)
	Sets the TAU0EN bit of peripheral enable register 0 (PER0) to 1 (when the TAU0EN bit is 0, read/write operation is disabled).	Power-on status. Each channel stops operating. (Clock supply is started and writing to SFR of the TAU is enabled.)
	Sets timer clock select register 0 (TPS0). Determines operating clock (CK00 and CK01) for each channel.	
Channel default setting	Sets noise filter enable register 1 (NFEN1). Sets timer mode register 0n (TMR0n) (determines operation mode for each channel and selects the detection edge). Clears the target bit of timer output mode register 0 (TOM0) to 0 (master channel output mode). Clears the target bit of the TOL0 register to 0. Clears the target bit of the timer output enable register (TOE0n) to 0.	Channel stops operating.
Operation start	Sets the target bit of TS0 register to 1. The target bit of TS0 register automatically returns to 0 because it is a trigger bit.	The target bit of TE0 register is set to 1, and the TI0n pin start edge detection wait status is set.
	Detects the TI0n pin input count start valid edge.	Clears timer count register 0n (TCR0n) to 0000H and starts counting up.
During operation	The TDR0n register can always be read (for the access procedure to the TDR0nH and TDR0nL registers, see 6.2.2 Timer data register 0n (TDR0n)). The TCR0n register can always be read (for the access procedure to the TCR0nH and TCR0nL registers, see 6.2.1 Timer counter register 0n (TCR0n)). The TSR0n register can always be read. The set values in the target bits of the TO0, TOE0, TOM0n, and TOL0n registers cannot be changed.	When the TI0n pin start edge is detected, the counter (TCR0n) counts up from 0000H. If a capture edge of the TI0n pin is detected, the count value is transferred to timer data register 0n (TDR0n) and INTTM0n is generated. If an overflow occurs at this time, the OVF bit of timer status register 0n (TSR0n) is set; if an overflow does not occur, the OVF bit is cleared. The TCR0n register stops the count operation until the next TI0n pin start edge is detected. After that, the above operation is repeated.
Operation stop	Sets the target bit of TT0 register to 1. The target bit of TT0 register automatically returns to 0 because it is a trigger bit.	The target bit of TE0 register is cleared to 0, and count operation stops. The TCR0n register holds count value and stops. The OVF bit of the TSR0n register is also held.
TAU stop	Clears the TAU0EN bit of the PER0 register to 0.	Power-off status (Clock supply is stopped and SFR of the TAU is initialized.)

Operation is resumed.

Remark n: Channel number (n = 0 to 3)

6.8.6 Operation as delay counter

It is possible to start counting down when the valid edge of the TI0n pin input is detected (an external event), and then generate the interrupt request signal (INTTM0n) after any specified interval.

It can also generate INTTM0n at any interval by setting TS0n to 1 by software to start the count down during the period of TE0n = 1.

The interrupt request signal (INTTM0n) generation period can be calculated by the following expression.

$$\text{Generation period of interrupt request signal (INTTM0n)} = \text{Period of count clock} \times (\text{Set value of TDR0n} + 1)$$

Caution The TI0n pin input is sampled using the operating clock (f_{MCK}) selected with the CKS0n1 bit of timer mode register 0n (TMR0n), so an error of one cycle of the operation clock (f_{MCK}) occurs.

When channel 1 or 3 is used as an 8-bit timer (SPLIT0n = 1), only the lower 8-bit timer can be used as the delay counter.

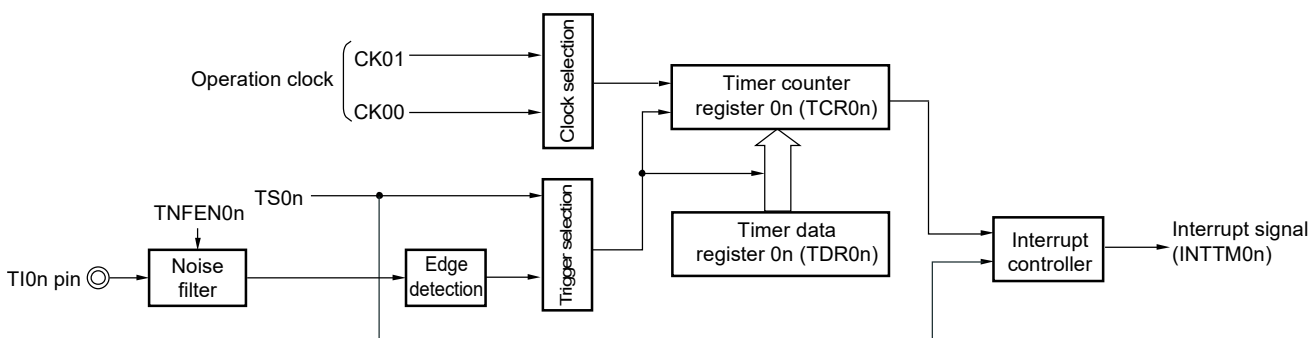
Timer count register 0n (TCR0n) operates as a down counter in the one-count mode.

When the channel start trigger bit (TS0n) of timer channel start register 0 (TS0) is set to 1, the TE0n bit is set to 1 and the TI0n pin input valid edge detection wait status is set.

Timer count register 0n (TCR0n) starts operating upon TI0n pin input valid edge detection and loads the value of timer data register 0n (TDR0n). The TCR0n register counts down from the value of the TDR0n register it has loaded, in synchronization with the count clock. When TCR0n = 0000H, it outputs INTTM0n and stops counting with TCR0n = FFFFH until the next TI0n pin input valid edge is detected.

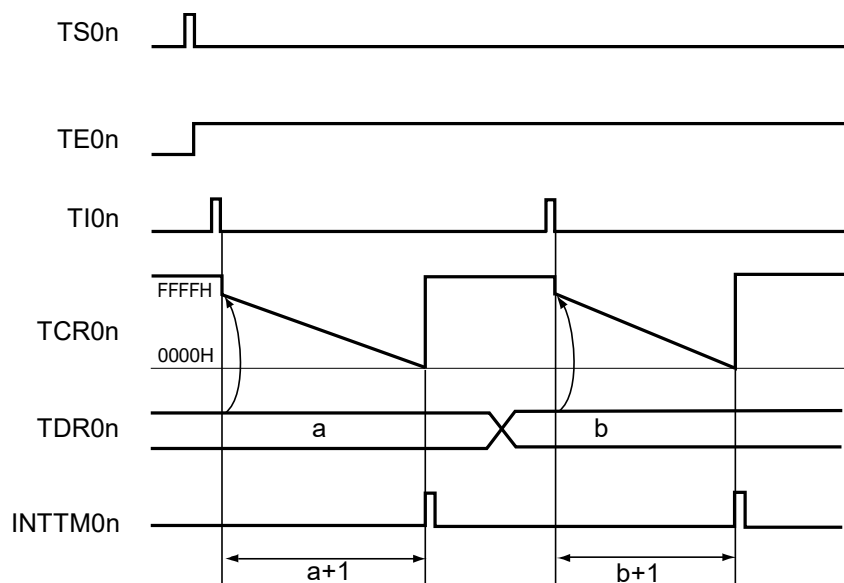
The TDR0n register can be rewritten at any time. The new value of the TDR0n register becomes valid from the next period.

Figure 6-61. Block Diagram of Operation as Delay Counter



Remark n: Channel number (n = 0 to 3)

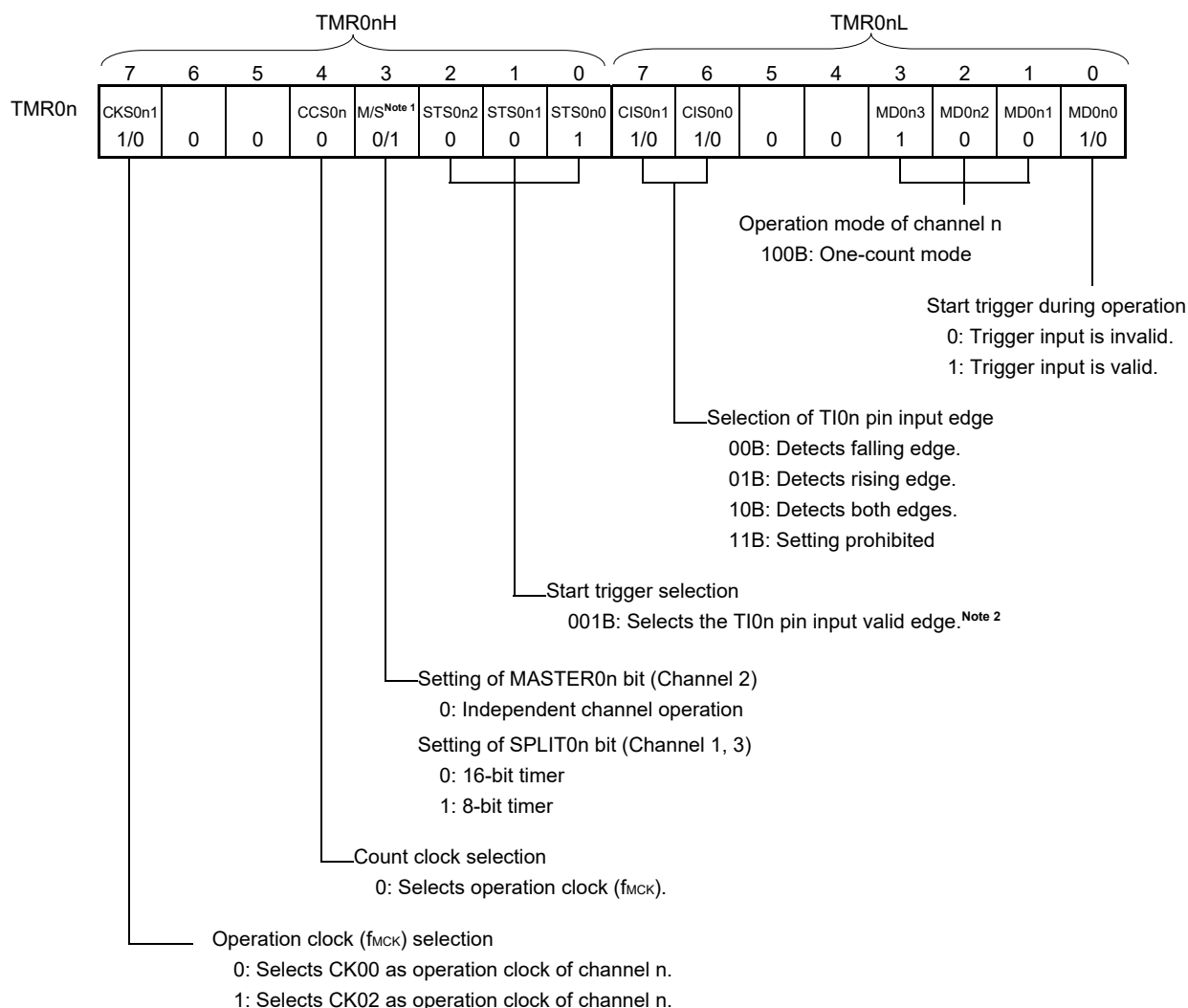
Figure 6-62. Example of Basic Timing of Operation as Delay Counter



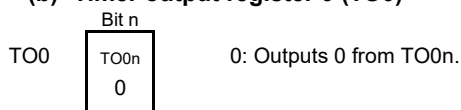
- Remarks**
1. n: Channel number (n = 0 to 3)
 2. TS0n: Bit n of timer channel start register 0 (TS0)
 TE0n: Bit n of timer channel enable status register 0 (TE0)
 TI0n: TI0n pin input signal
 TCR0n: Timer count register 0n (TCR0n)
 TDR0n: Timer data register 0n (TDR0n)

Figure 6-63. Example of Set Contents of Registers to Delay Counter (1/2)

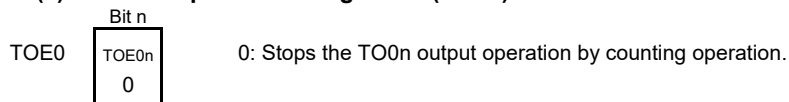
(a) Timer mode register 0n (TMR0nH, TMR0nL)



(b) Timer output register 0 (TO0)



(c) Timer output enable register 0 (TOE0)



- Notes**
1. TMR02: MASTER_{0n} bit
 TMR01, TMR03: SPLIT_{0n} bit
 TMR00: 0 fixed
 2. A software operation (TS0_n = 1) can be used as a start trigger, instead of using the TIO_n pin input.

Remark n: Channel number (n = 0 to 3)

Figure 6-63. Example of Set Contents of Registers to Delay Counter (2/2)**(d) Timer output level register 0 (TOL0)**

TOL0

Bit n
TOL0n
0

 0: Setting is invalid because master channel output mode is set (TOM0n = 0).

(e) Timer output mode register 0 (TOM0)

TOM0

Bit n
TOM0n
0

 0: Sets master channel output mode.

Remark n: Channel number (n = 0 to 3)

Figure 6-64. Procedure for Operating Delay Counter

	Software operation	Hardware status
TAU default setting		Power-off status (Clock supply is stopped and writing to SFR of the TAU is disabled.)
	Sets the TAU0EN bit of peripheral enable register 0 (PER0) to 1 (when the TAU0EN bit is 0, read/write operation is disabled).	Power-on status. Each channel stops operating. (Clock supply is started and writing to SFR of the TAU is enabled.)
	Sets timer clock select register 0 (TPS0). Determines operating clock (CK00 and CK01) for each channel.	
Channel default setting	Sets noise filter enable register 1 (NFEN1). Sets timer mode register 0n (TMR0n) (determines operation mode for each channel and selects the detection edge). Sets INTTM0n output delay in the timer data register 0n (TDR0n) (for the access procedure to the TDR0nH and TDR0nL registers, see 6.2.2 Timer data register 0n (TDR0n)). Clears the target bit of timer output mode register 0 (TOM0) to 0 (master channel output mode). Clears the target bit of the TOL0 register to 0. Clears the target bit of the timer output enable register (TOE0n) to 0.	Channel stops operating.
Operation start	Sets the target bit of TS0 register to 1. The target bit of TS0 register automatically returns to 0 because it is a trigger bit.	Target bit of TE0 register is set to 1, and the start trigger detection (the valid edge of the TI0n pin input is detected or the TS0n bit is set to 1) wait status is set.
	Count operation starts on detection of the next start trigger: - The TI0n pin input valid edge is detected. - The TS0n bit is set to 1 by software.	Value of the TDR0n register is loaded to the timer count register 0n (TCR0n), and count down operation starts.
During operation	The set value of the TDR0n register can be changed. The TCR0n register can always be read (for the access procedure to the TCR0nH and TCR0nL registers, see 6.2.1 Timer counter register 0n (TCR0n)). The set values in the target bits of the TMR0n, TO0, TOE0, TOM0n, and TOL0n registers cannot be changed.	The counter (TCR0n) counts down. When TCR0n counts down to 0000H, INTTM0n is generated, and counting stops (which leaves TCR0n at FFFFH) until the next start trigger is detected (the valid edge of the TI0n pin input is detected or the TS0n bit is set to 1). After that, the above operation is repeated.
Operation stop	The target bit of TT0 register is set to 1. The target bit of TT0 register automatically returns to 0 because it is a trigger bit.	The target bit of TE0 register is cleared to 0, and count operation stops. The TCR0n register holds count value and stops.
TAU stop	Clears the TAU0EN bit of the PER0 register to 0.	Power-off status (Clock supply is stopped and SFR of the TAU is initialized.)

Operation is resumed.

Remark n: Channel number (n = 0 to 3)

6.9 Simultaneous Channel Operation Function of Timer Array Unit

6.9.1 Operation as one-shot pulse output

By using two channels as a set, a one-shot pulse having any delay (output delay time) can be generated from the signal input to the TI0n pin.

In addition, by setting TS0n to 1 by software, the count down can be started during the period of TE0n = 1.

The delay time and one-shot pulse width can be calculated by the following expressions.

$\text{Delay time} = \{\text{Set value of TDR0n (master)} + 2\} \times \text{Count clock period}$ $\text{One-shot pulse width} = \{\text{Set value of TDR0p (slave)}\} \times \text{Count clock period}$
--

Caution The TI0n pin input is sampled using the operating clock (f_{MCK}) selected with the CKS0n1 bit of timer mode register 0n (TMR0n), so an error of one cycle of the operating clock (f_{MCK}) occurs.

The master channel operates in the one-count mode and counts the delays. Timer count register 0n (TCR0n) of the master channel starts operating upon start trigger detection and loads the value of timer data register 0n (TDR0n).

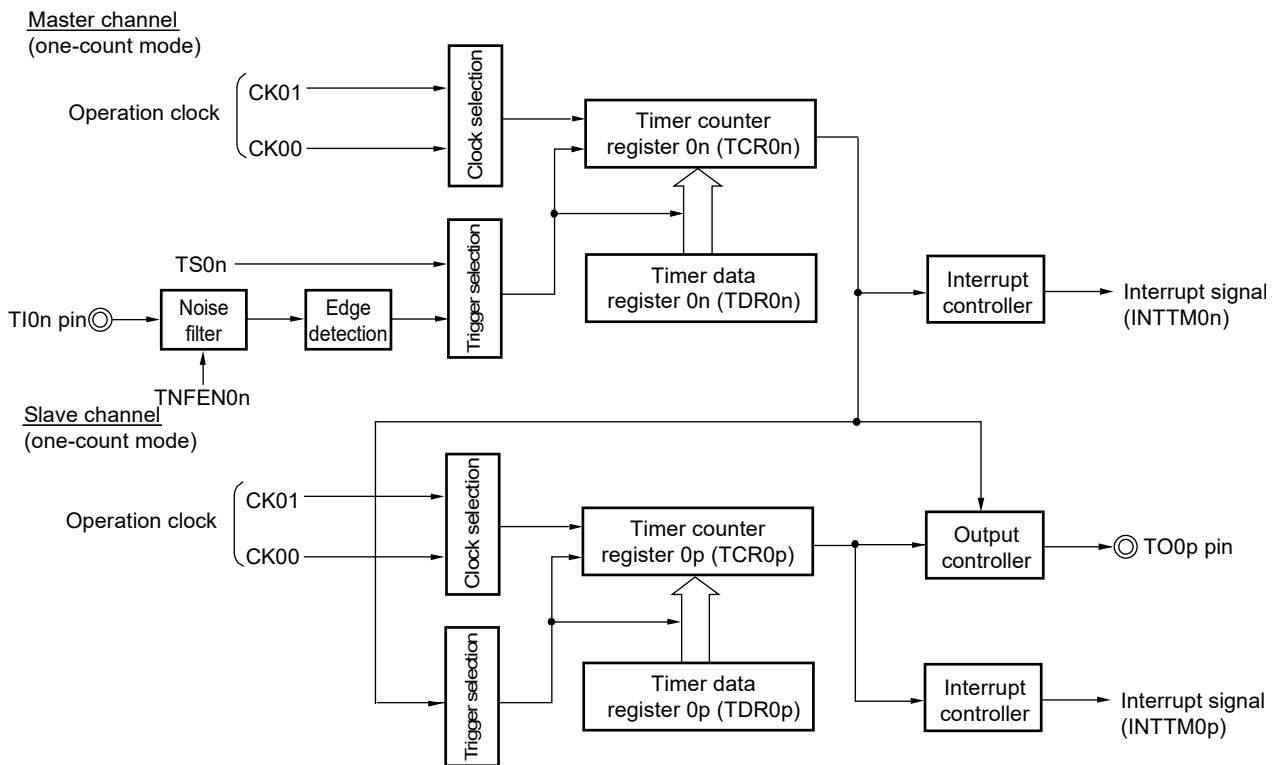
The TCR0n register counts down from the value of the TDR0n register it has loaded, in synchronization with the count clock (f_{TCLK}). When TCR0n = 0000H, it outputs INTTM0n and stops counting until the next start trigger is detected.

The slave channel operates in the one-count mode and counts the one-shot pulse width. The TCR0p register of the slave channel starts operation using INTTM0n of the master channel as a start trigger, and loads the value of the TDR0p register. The TCR0p register counts down from the value of the TDR0p register it has loaded, in synchronization with the count value (f_{TCLK}). When TCR0p = 0000H, it outputs INTTM0p and stops counting with TCR0p = FFFFH until the next start trigger (INTTM0n of the master channel) is detected. The output level of TO0p becomes active one count clock (f_{TCLK}) after generation of INTTM0n from the master channel, and inactive when TCR0p = 0000H.

Caution The timing of loading of timer data register 0n (TDR0n) of the master channel is different from that of the TDR0p register of the slave channel. If the TDR0n and TDR0p registers are rewritten during operation, therefore, an illegal waveform may be output. Rewrite the TDR0n register after INTTM0n is generated and the TDR0p register after INTTM0p is generated.

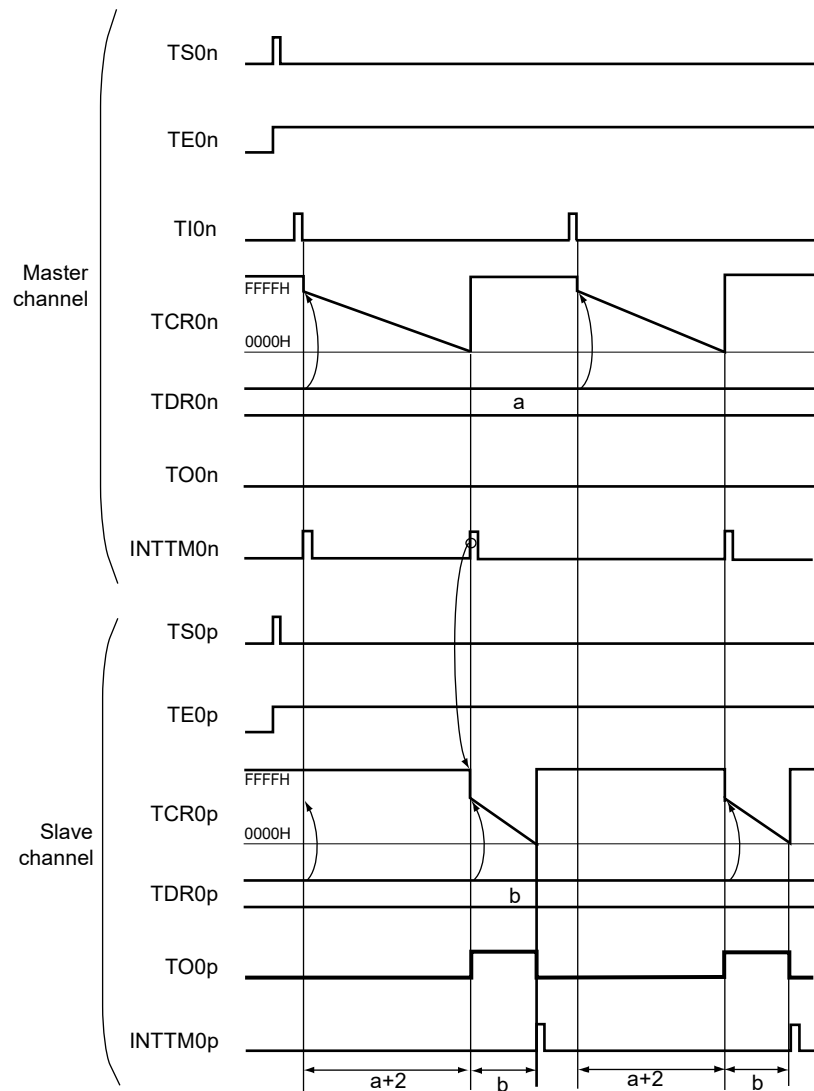
Remark n: Master channel number (n = 0, 2)
p: Slave channel number (n < p ≤ 3)

Figure 6-65. Block Diagram of Operation for One-shot Pulse Output



Remark n: Master channel number (n = 0, 2)
 p: Slave channel number (n < p ≤ 3)

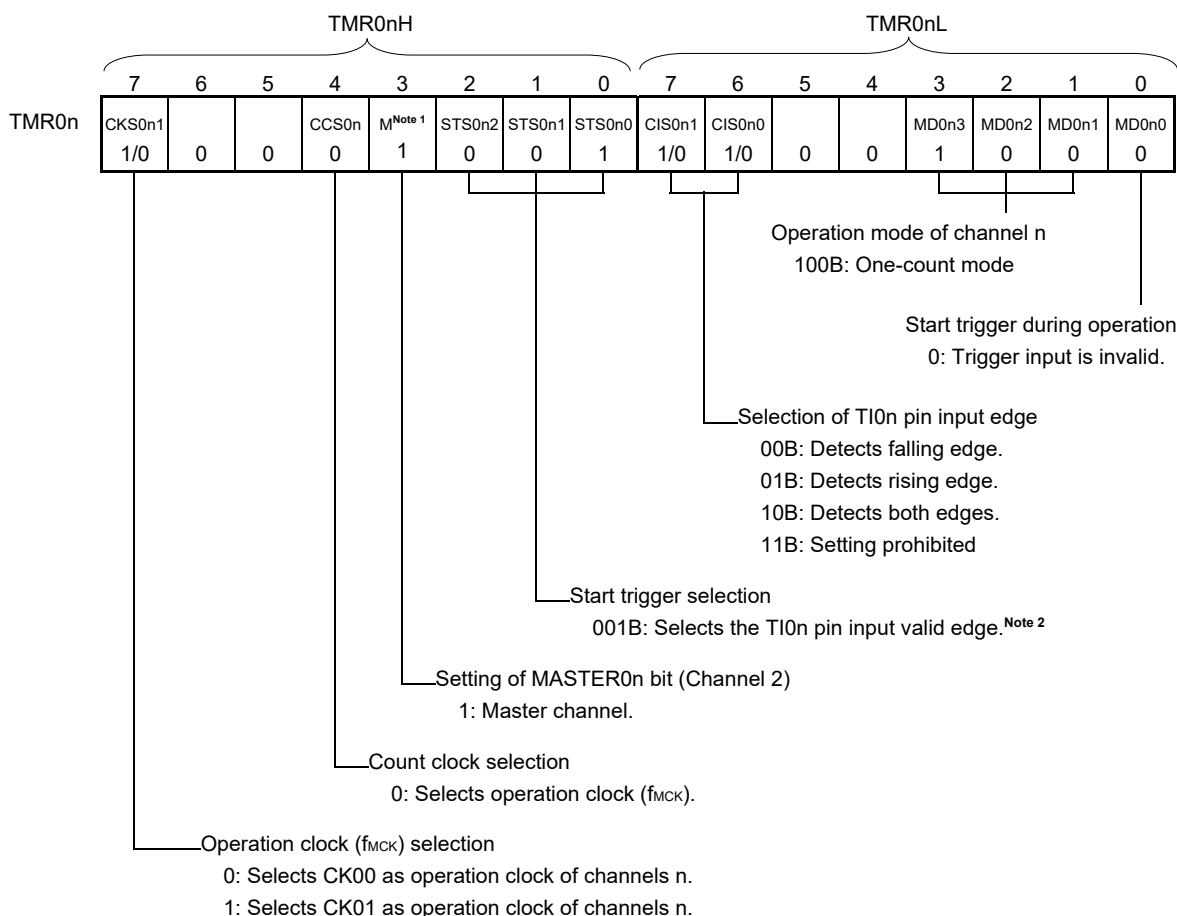
Figure 6-66. Example of Basic Timing of Operation for One-shot Pulse Output



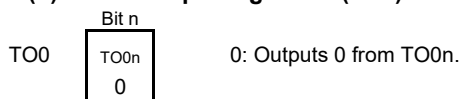
- Remarks**
1. n: Master channel number ($n = 0, 2$)
p: Slave channel number ($n < p \leq 3$)
 2. TS0n, TS0p: Bit n, p of timer channel start register 0 (TS0)
TE0n, TE0p: Bit n, p of timer channel enable status register 0 (TE0)
TI0n, TI0p: TI0n and TI0p pins input signal
TCR0n, TCR0p: Timer count registers 0n, 0p (TCR0n, TCR0p)
TDR0n, TDR0p: Timer data registers 0n, 0p (TDR0n, TDR0p)
TO0n, TO0p: TO0n and TO0p pins output signal

Figure 6-67. Example of Set Contents of Registers for One-shot Pulse Output (Master Channel) (1/2)

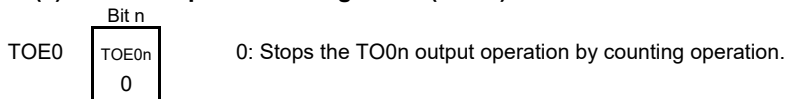
(a) Timer mode register 0n (TMR0nH, TMR0nL)



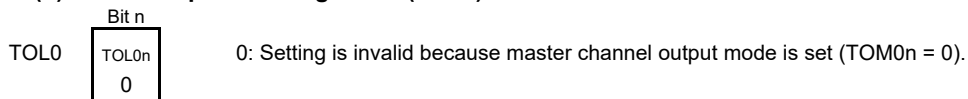
(b) Timer output register 0 (TO0)



(c) Timer output enable register 0 (TOE0)



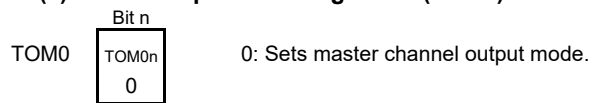
(d) Timer output level register 0 (TOL0)



Notes 1. TMR02: MASTER02 bit
TMR00: 0 fixed

2. A software operation (TS0n = 1) can be used as a start trigger, instead of using the TIO_n pin input.

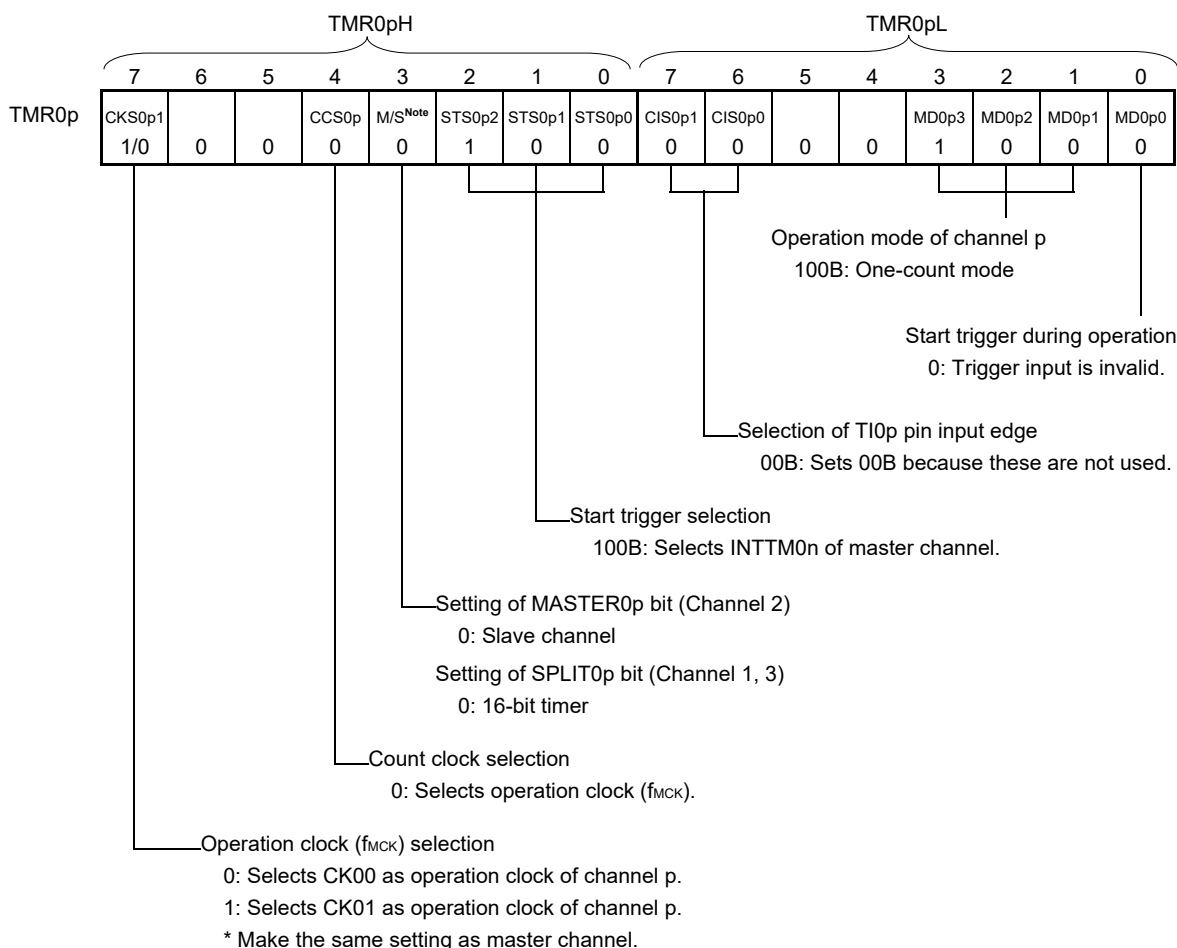
Remark n: Master channel number (n = 0, 2)

Figure 6-67. Example of Set Contents of Registers for One-shot Pulse Output (Master Channel) (2/2)**(e) Timer output mode register 0 (TOM0)**

Remark n: Master channel number (n = 0, 2)

Figure 6-68. Example of Set Contents of Registers for One-shot Pulse Output (Slave Channel) (1/2)

(a) Timer mode register 0p (TMR0pH, TMR0pL)



(b) Timer output register 0 (TO0)

Bit p	TO0p	1/0
TO0	0: Outputs 0 from TO0p. 1: Outputs 1 from TO0p.	

(c) Timer output enable register 0 (TOE0)

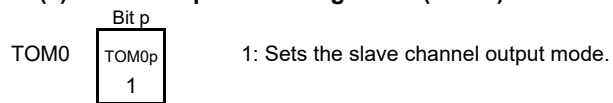
Bit p	TOE0p	1/0
TOE0	0: Stops the TO0p output operation by counting operation (the level set in the TO0p bit is output from the TO0p pin). 1: Enables the TO0p output operation by counting operation (output from the TO0p pin is toggled).	

(d) Timer output level register 0 (TOL0)

Bit p	TOL0p	1/0
TOL0	0: Positive logic output (active-high) 1: Negative logic output (active-low)	

Note TMR02: MASTER0n bit
 TMR01, TMR03: SPLIT0p bit

Remark n: Master channel number (n = 0, 2)
 p: Slave channel number (n < p ≤ 3)

Figure 6-68. Example of Set Contents of Registers for One-shot Pulse Output (Slave Channel) (2/2)**(e) Timer output mode register 0 (TOM0)**

Remark n: Master channel number (n = 0, 2)
p: Slave channel number (n < p ≤ 3)

Figure 6-69. Procedure for Outputting One-shot Pulse (1/2)

	Software operation	Hardware status
TAU default setting		Power-off status (Clock supply is stopped and writing to SFR of the TAU is disabled.)
	Sets the TAU0EN bit of peripheral enable registers 0 (PER0) to 1 (when the TAU0EN bit is 0, read/write operation is disabled).	Power-on status. Each channel stops operating. (Clock supply is started and writing to SFR of the TAU is enabled.)
	Sets timer clock select register 0 (TPS0). Determines operating clock (CK00 and CK01) for each channel.	
Channel default setting	Sets timer mode registers 0n, 0p (TMR0n, TMR0p) (determines operation mode for each channel and selects the detection edge). Sets an output delay of the master channel in the timer data register 0n (TDR0n), and a pulse width of the slave channel in the timer data register 0p (TDR0p) (for the access procedure to the TDR0nH and TDR0nL registers, see 6.2.2 Timer data register 0n (TDR0n)).	Channel stops operating.
	Sets master channel. Sets noise filter enable register 1 (NFEN1). Clears the target bit of timer output mode register 0 (TOM0) to 0 (master channel output mode). Clears the target bit of the TOL0 register to 0. Clears the target bit of the timer output enable register 0 (TOE0) to 0. Sets slave channel. Sets the target bit of timer output mode register 0 (TOM0) to 1 (slave channel output mode). Sets the target bit of the TOL0 register. Sets the TO0p bit and determines default level of the TO0p output. Sets the TOE0p bit to 1 and enables operation of TO0p. Clears the port register and port mode register to 0. (output mode is set)	The TO0p pin goes into Hi-Z state. (The port mode register is set to input mode.) TO0p does not change because channel stops operating (the TO0p pin is not affected even if the TO0p bit is modified). The level set in the TO0p bit is output from the TO0p pin.

Remark n: Master channel number (n = 0, 2)
p: Slave channel number (n < p ≤ 3)

Figure 6-69. Procedure for Outputting One-shot Pulse (2/2)

	Software operation	Hardware status
Operation start	Sets the TOE0p bit of the slave channel to 1 to enable TO0p operation (only when operation is resumed). Sets the target bits of the TS0 register (master and slave) to 1 at the same time. The target bits of the TS0 register automatically return to 0 because they are trigger bits.	The target bits of the TE0 register are set to 1 and the master channel enters the TI0n pin input valid edge detection wait status.
	Count operation starts on detection of the next start triggers: - The TI0n pin input valid edge is detected. - The TS0n bit is set to 1 by software.	Value of the TDR0n register is loaded to the timer count register 0n (TCR0n) of the master channel, and count down operation starts.
During operation	Changes master channel setting. The TCR0n register can always be read (for the access procedure to the TCR0nH and TCR0nL registers, see 6.2.1 Timer counter register 0n (TCR0n)). The set values of only the CIS0n1 and CIS0n0 bits of the TMR0n register can be changed. The set values in the target bits of the TDR0n, TO0, TOE0, TOM0, and TOL0 registers cannot be changed. Changes slave channel setting. The TCR0p register can always be read. The set values in the target bits of the TO0p, TOE0p, TOM0, and TOL0 registers can be changed. The set values of the TMR0p and TDR0p registers cannot be changed.	The master channel counter (TCR0n) performs count down operation. When the count value reaches TCR0n = 0000H, INTTM0n is generated, and the counter stops at TCR0n = FFFFH until the next start trigger is detected (the TI0n pin input valid edge is detected or TS0n bit is set to 1). The slave channel, triggered by INTTM0n of the master channel, loads the value of the TDR0p register to the TCR0p register, and the counter starts counting down. The output level of TO0p becomes active one cycle of the count clock (f _{CLK}) after generation of INTTM0n from the master channel. It becomes inactive when TCR0p = 0000H, and the counting operation is stopped at TCR0p = FFFFH. After that, the above operation is repeated.
Operation stop	Sets the target bits of the TT0 register (master and slave) to 1 at the same time. The target bits of the TT0 register automatically return to 0 because they are trigger bits.	The target bits of the TE0 register are cleared to 0, and count operation stops. The TCR0n and TCR0p registers hold count value and stop. The TO0p output is not initialized but holds current status.
	Clears the TOE0p bit of slave channel to 0 and sets a value to the TO0p bit.	The level set in the TO0p bit is output from the TO0p pin.
TAU stop	To hold the TO0p pin output level Clears the TO0p bit to 0 after the value to be held (output latch) is set to the port register.	The TO0p pin output level is held by port function.
	Clears the TAU0EN bit of the PER0 register to 0.	Power-off status (Clock supply is stopped and SFR of the TAU is initialized.)

Operation is resumed.

Remark n: Master channel number (n = 0, 2)
p: Slave channel number (n < p ≤ 3)

6.9.2 Two-channel input with one-shot pulse output function

By using signal input to two pins (TI0n and TI0p), a one-shot pulse having any delay pulse width can be generated. The two-channel input with one-shot pulse output function is provided only in the 16-bit products.

The output delay time and one-shot pulse width can be calculated by the following expressions.

$\text{Delay time} = \{\text{Set value of TDR0n (master)} + 2\} \times \text{count clock period}$ $\text{One-shot pulse active-level width} =$ $\text{count clock period} \times ((10000\text{H} + \text{TSR0p:OVF}) + (\text{capture value of TDR0p (slave)} + 1))$
--

Caution The TI0n and TI0p pin inputs are each sampled using the operating clock (f_{MCK}) selected with the CKS0n1 bit of the timer mode register (TMR0n), so an error of one cycle of the operating clock (f_{MCK}) per pin occurs.

The master channel should be operated in the one-count mode to start counting the delays (output delay time) upon detection of a valid edge of the master channel TI0n pin input used as the start trigger. Upon detection of a start trigger (valid edge of TI0n pin input), the master channel loads the value of timer data register 0n (TDR0n) to the timer count register 0n (TCR0n), and performs counting down in synchronization with the count clock (f_{CLK}).

When TCR0n = 0000H, the master channel outputs INTTM0n and outputs the active level from the TO0p pin. It stops counting until the next start trigger is detected.

The slave channel should be operated in the capture mode to set the one-shot pulse to the inactive level upon detection of a valid edge of the slave channel TI0n pin input used as the end trigger. Upon detection of an end trigger (valid edge of TI0p pin input), the slave channel transfers (captures) the count value of the TCR0p register to the TDR0p register, and clears it to 0000H. Simultaneously, the slave channel outputs INTTM0p and the inactive level from the TO0p pin. Here, if the counter overflow has occurred, the OVF bit in the timer status register 0p (TSR0p) is set; if not, the OVF bit is cleared. After this, the same steps are repeated.

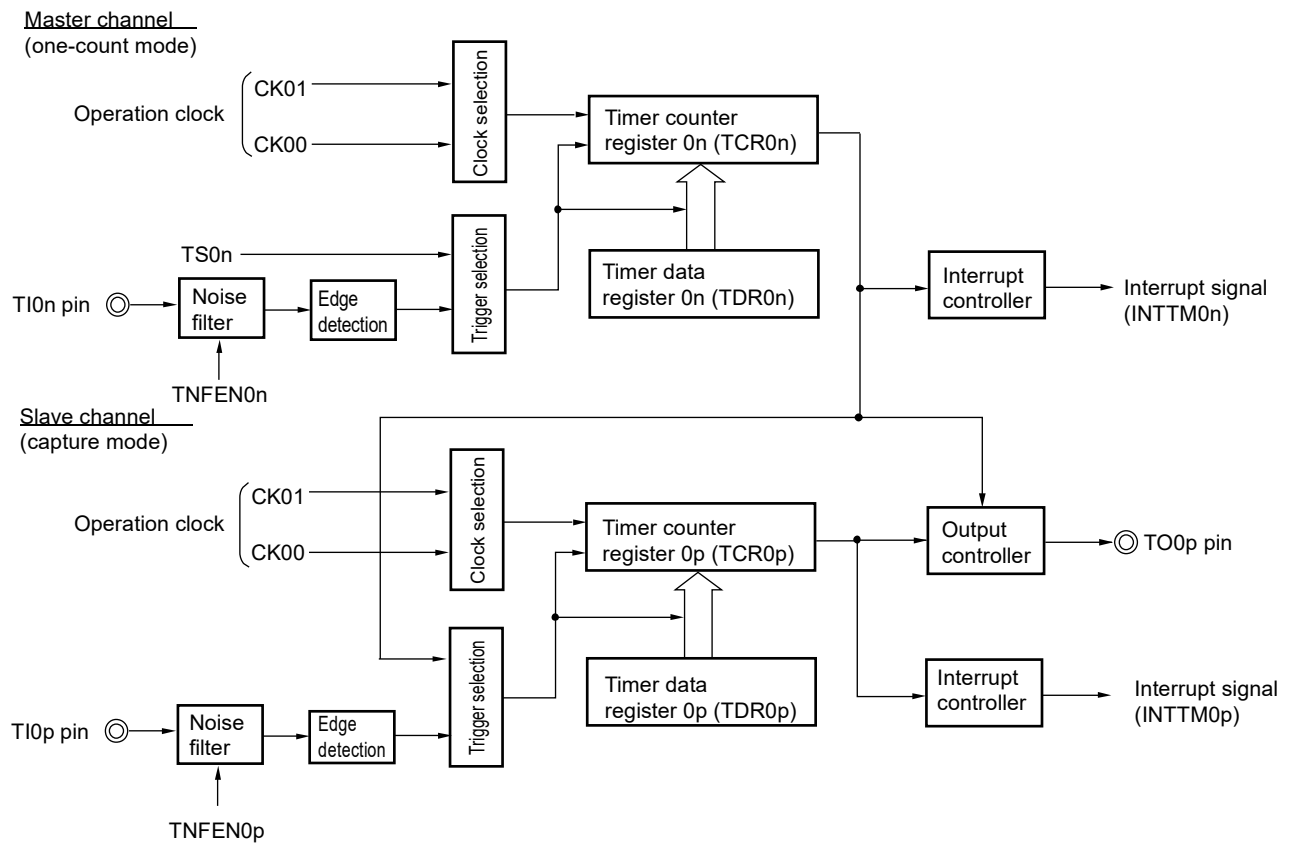
When the count value is captured to the TDR0p register, the OVF bit in the TSR0p register is updated depending on the overflow status during the active level period, which allows the overflow status of the captured value to be checked.

If the counter reaches a full count for two or more periods, it is judged to be an overflow occurrence, and the OVF bit of the TSR0p register is set to 1. However, a normal interval value cannot be measured for the OVF bit, if two or more overflows occur.

Instead of using the TI0n pin input, the software operation (TS0n = 1) can be used as a start trigger for the master channel.

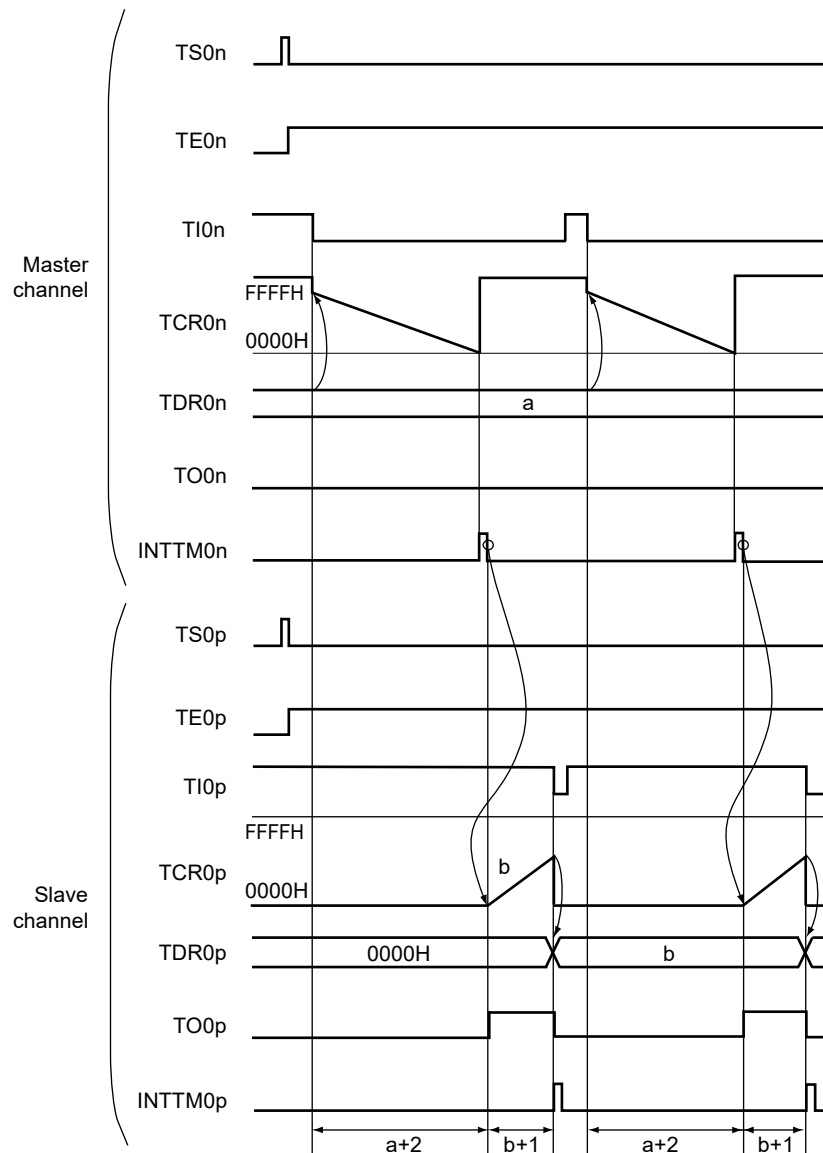
Remark n: Master channel number (n = 0, 2)
p: Slave channel number (p = 3)

Figure 6-70. Block Diagram of Operation for Two-channel Input with One-shot Pulse Output Function



Remark n: Master channel number (n = 0, 2)
p: Slave channel number (p = 3)

Figure 6-71. Example of Basic Timing of Operation for Two-channel Input with One-shot Pulse Output Function



- Remarks**
- n: Master channel number (n = 0, 2)

p: Slave channel number (p = 3)
 - TS0n, TS0p: Bit n, p of timer channel start register 0 (TS0)

TE0n, TE0p: Bit n, p of timer channel enable status register 0 (TE0)

TI0n, TI0p: TI0n and TI0p pins input signal

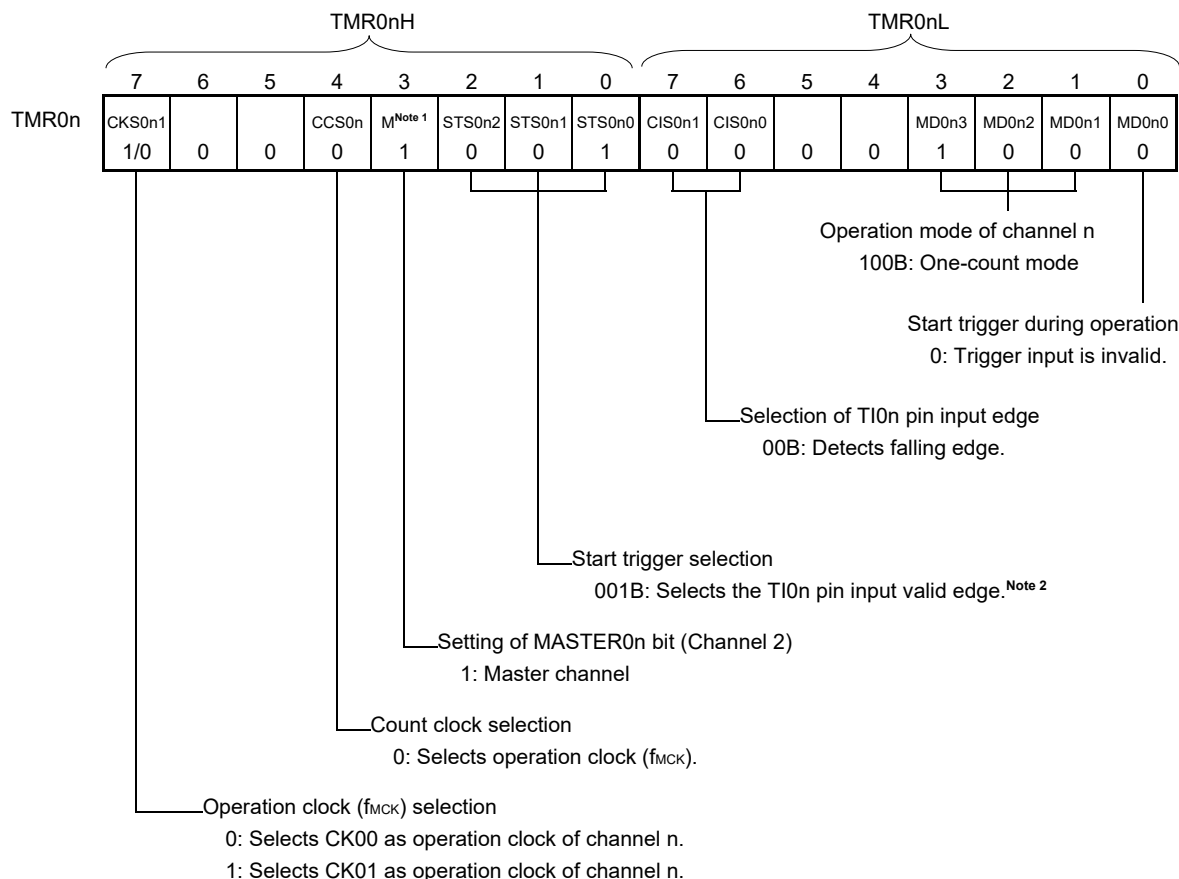
TCR0n, TCR0p: Timer count registers 0n, 0p (TCR0n, TCR0p)

TDR0n, TDR0p: Timer data registers 0n, 0p (TDR0n, TDR0p)

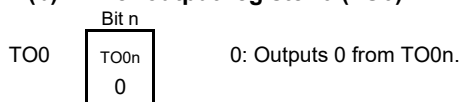
TO0n, TO0p: TO0n and TO0p pins output signal

Figure 6-72. Example of Set Contents of Registers for Two-channel Input with One-shot Pulse Output Function (Master Channel) (1/2)

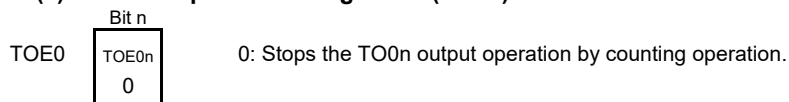
(a) Timer mode register 0n (TMR0nH, TMR0nL)



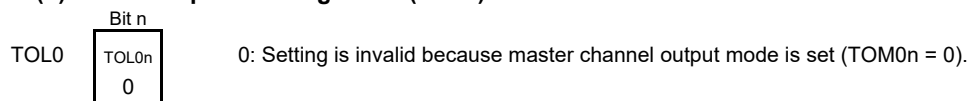
(b) Timer output register 0 (TO0)



(c) Timer output enable register 0 (TOE0)



(d) Timer output level register 0 (TOL0)



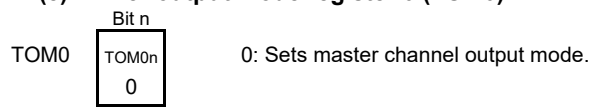
Notes 1. TMR02: MASTER02 bit
TMR00: 0 fixed

2. A software operation (TS0n = 1) can be used as a start trigger, instead of using the TIO pin input.

Remark n: Master channel number (n = 0, 2)

Figure 6-72. Example of Set Contents of Registers for Two-channel Input with One-shot Pulse Output Function (Master Channel) (2/2)

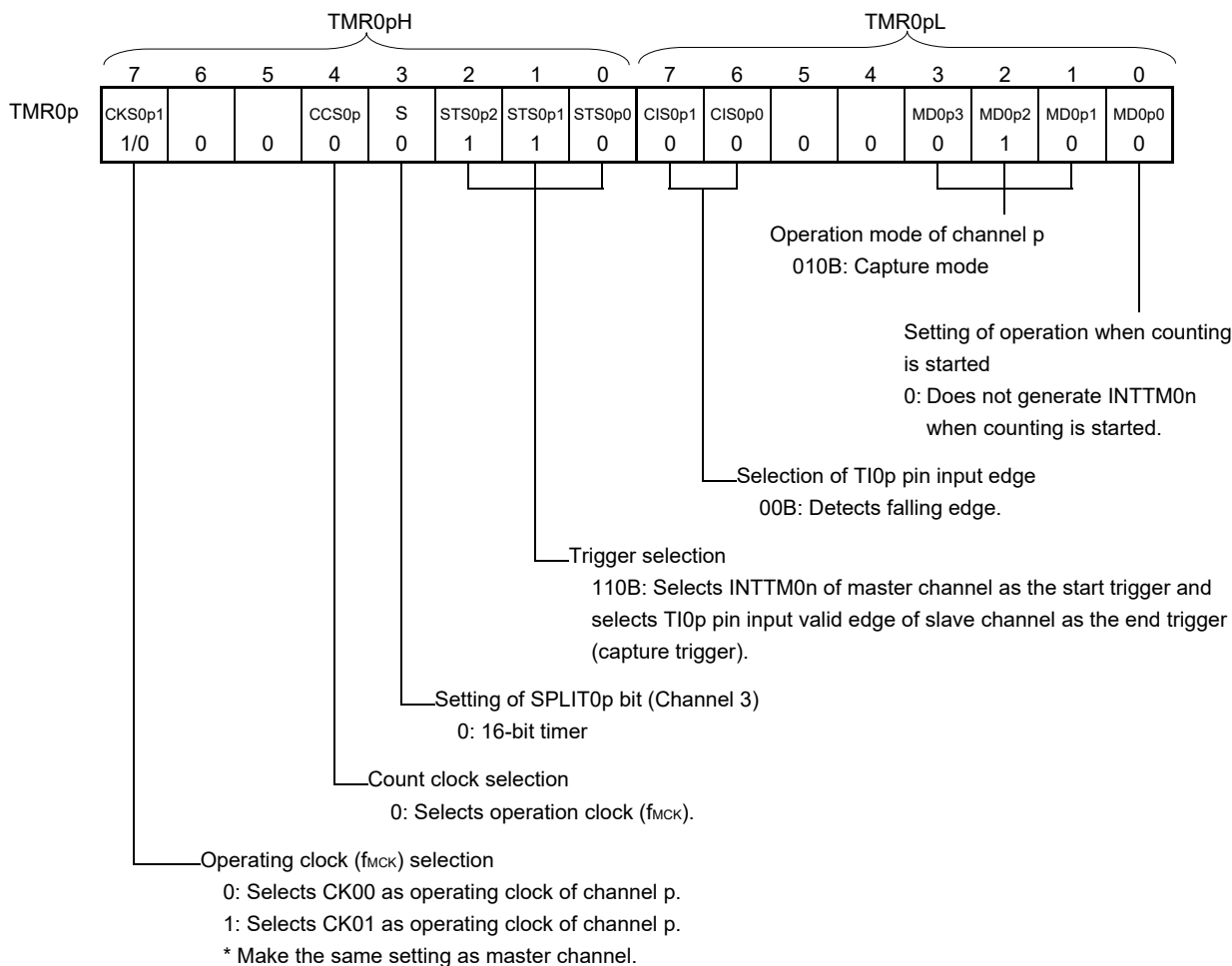
(e) Timer output mode register 0 (TOM0)



Remark n: Master channel number (n = 0, 2)

Figure 6-73. Example of Set Contents of Registers for Two-channel Input with One-shot Pulse Output Function (Slave Channel) (1/2)

(a) Timer mode register 0p (TMR0pH, TMR0pL)



(b) Timer output register 0 (TO0)

TO0	Bit p	
	TO0p 1/0	

0: Outputs 0 from TO0p.
 1: Outputs 1 from TO0p.

(c) Timer output enable register 0 (TOE0)

TOE0	Bit p	
	TOE0p 1/0	

0: Stops the TO0p output operation by counting operation (the level set in the TO0p bit is output from the TO0p pin).
 1: Enables the TO0p output operation by counting operation (output from the TO0p pin is toggled).

(d) Timer output level register 0 (TOL0)

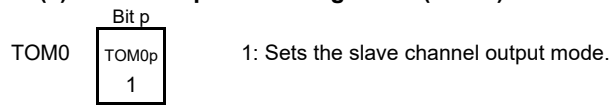
TOL0	Bit p	
	TOL0p 1/0	

0: Positive logic output (active-high)
 1: Negative logic output (active-low)

Remark n: Master channel number (n = 0, 2)
 p: Slave channel number (p = 3)

Figure 6-73. Example of Set Contents of Registers for Two-channel Input with One-shot Pulse Output Function (Slave Channel) (2/2)

(e) Timer output mode register 0 (TOM0)



Remark p: Slave channel number (p = 3)

Figure 6-74. Procedure for Two-channel Input with One-shot Pulse Output Function (1/2)

	Software operation	Hardware status
TAU default setting		Power-off status (Clock supply is stopped and writing to SFR of the TAU is disabled.)
	Sets the TAU0EN bit of peripheral enable registers 0 (PER0) to 1 (when the TAU0EN bit is 0, read/write operation is disabled).	Power-on status. Each channel stops operating. (Clock supply is started and writing to SFR of the TAU is enabled.)
	Sets timer clock select register 0 (TPS0). Determines operating clock (CK00 and CK01) for each channel.	
Channel default setting	Sets noise filter enable register 1 (NFEN1). Sets timer mode register 0n, 0p (TMR0n, TMR0p) (determines operation mode for each channel and selects the detection edge).	Channel stops operating.
	<p>Sets master channel</p> <p>Sets delay (output delay time) to timer data register 0n (TDR0n) (for the access procedure to the TDR0nH and TDR0nL registers, see 6.2.2 Timer data register 0n (TDR0n)).</p> <p>Clears the target bit of timer output mode register 0 (TOM0) to 0 (master channel output mode).</p> <p>Clears the target bit of the TOL0 register to 0.</p> <p>Clears the target bit of the timer output enable register 0 (TOE0) to 0.</p> <p>Sets slave channel.</p> <p>Sets the target bit of timer output mode register 0 (TOM0) to 1 (slave channel output mode).</p> <p>Sets the target bit of the TOL0 register.</p> <p>Sets the TO0p bit and determines default level of the TO0p output.</p> <p>Sets the TOE0p bit to 1 and enables operation of TO0p.</p> <p>Clears the port register and port mode register to 0. (output mode is set)</p>	<p>The TO0p pin goes into Hi-Z state. (The port mode register is set to input mode.)</p> <p>TO0p does not change because channel stops operating. (The TO0p pin is not affected even if the TO0p bit is modified).</p> <p>The level set in the TO0p bit is output from the TO0p pin.</p>

Remark n: Master channel number (n = 0, 2)
p: Slave channel number (p = 3)

Figure 6-74. Procedure for Two-channel Input with One-shot Pulse Output Function (2/2)

	Software operation	Hardware status
Operation start	Sets the TOE0p bit of the slave channel to 1 to enable TO0p operation (only when operation is resumed). Sets the target bits of the TS0 register (master and slave) to 1 at the same time. The target bits of the TS0 register automatically return to 0 because they are trigger bits.	The target bits of the TE0 register are set to 1 and the master channel enters the TI0n pin input valid edge detection wait status.
	Count operation starts on detection of the next start triggers: - The TI0n pin input valid edge is detected. - The TS0n bit is set to 1 by software.	Value of the TDR0n register is loaded to the timer count register 0n (TCR0n) of the master channel, and count down operation starts.
During operation	Changes master channel setting. The TCR0n register can always be read (for the access procedure to the TCR0nH and TCR0nL registers, see 6.2.1 Timer counter register 0n (TCR0n)). The set values of only the CIS0n1 and CIS0n0 bits of the TMR0n register can be changed. The set values in the target bits of the TDR0n, TO0, TOE0, TOM0, and TOL0 registers cannot be changed. Changes slave channel setting. The TDR0p register can always be read. The TCR0p register can always be read. The TSR0p register can always be read. The set values of only the CIS0p1 and CIS0p0 bits of the TMR0p register can be changed. The set values in the target bits of the TO0p, TOE0p, TOM0, and TOL0 registers cannot be changed.	The master channel counter (TCR0n) performs count down operation. When the count value reaches TCR0n = 0000H, INTTM0n is generated, and the counter stops at TCR0n = FFFFH until the next start trigger is detected (the TI0n pin input valid edge is detected or TS0n bit is set to 1). The slave channel, triggered by INTTM0p of the master channel, clears the timer counter register 0p (TCR0p) to 0000H. The counter starts counting up from 0000H, and when the TI0p pin input valid edge is detected, the count value is transferred (captured) to the timer data register 0p (TDR0p) and TCR0p register is cleared to 0000H. At this time, INTTM0p is generated, which sets the TO0p output level to inactive After that, the above operation is repeated.
Operation stop	Sets the target bits of the TT0 register (master and slave) to 1 at the same time. The target bits of the TT0 register automatically return to 0 because they are trigger bits.	The target bits of the TE0 register are cleared to 0, and count operation stops. The TCR0n and TCR0p registers hold count value and stop. The TO0p output is not initialized but holds current status.
	Clears the TOE0p bit of slave channel to 0 and sets a value to the TO0p bit.	The level set in the TO0p bit is output from the TO0p pin.
TAU stop	To hold the TO0p pin output level Clears the TO0p bit to 0 after the value to be held (output latch) is set to the port register.	The TO0p pin output level is held by port function.
	Clears the TAU0EN bit of the PER0 register to 0.	Power-off status Clock supply is stopped and SFR of the TAU is initialized.

Remark n: Master channel number (n = 0, 2)
p: Slave channel number (n < p ≤ 3)

6.9.3 Operation as PWM output function

Two channels can be used as a set to generate a pulse of any period and duty factor.

When channel 1 or 3 is used as an 8-bit timer (SPLIT0n = 1), only the lower 8-bit timer can be used as the slave channel for the PWM output function.

The period and duty factor of the output pulse can be calculated by the following expressions.

$$\begin{aligned} \text{Pulse period} &= \{\text{Set value of TDR0n (master)} + 1\} \times \text{Count clock period} \\ \text{Duty factor [\%]} &= \{\text{Set value of TDR0p (slave)}\} / \{\text{Set value of TDR0n (master)} + 1\} \times 100 \\ \text{0\% output:} & \quad \text{Set value of TDR0p (slave)} = 0000\text{H (00H in 8-bit timer mode)} \\ \text{100\% output:} & \quad \text{Set value of TDR0p (slave)} \geq \{\text{Set value of TDR0n (master)} + 1\} \end{aligned}$$

Remark The duty factor exceeds 100% if the set value of TDR0p (slave) > (set value of TDR0n (master) + 1), the actually output PWM waveform has a 100% duty factor.

The master channel operates in the interval timer mode. If the channel start trigger bit (TS0n) of timer channel start register 0 (TS0) is set to 1, the interrupt request signal (INTTM0n) is output, the value set to timer data register 0n (TDR0n) is loaded to timer count register 0n (TCR0n), and the counter counts down in synchronization with the count clock (f_{CLK}). When TCR0n reaches 0000H, INTTM0n is output, the value of the TDR0n register is loaded again to the TCR0n register, and the counter counts down. This operation is repeated until the channel stop trigger bit (TT0n) of timer channel stop register 0 (TT0) is set to 1.

During the PWM output function operation, the period until the master channel counts down to 0000H is the PWM output (TO0p) cycle.

The slave channel operates in one-count mode. By using INTTM0n from the master channel as a start trigger, the TCR0p register loads the value of the TDR0p register and TCR0p counts down to 0000H. When TCR0p reaches 0000H, it outputs INTTM0p, and stops counting with TCR0p = FFFFH until the next start trigger (INTTM0n from the master channel) is generated.

During the PWM output function operation, the period until the slave channel counts down to 0000H is the PWM output (TO0p) duty.

PWM output (TO0p) goes to the active level one count clock (f_{CLK}) after the master channel generates INTTM0n and goes to the inactive level when the TCR0p register of the slave channel becomes 0000H.

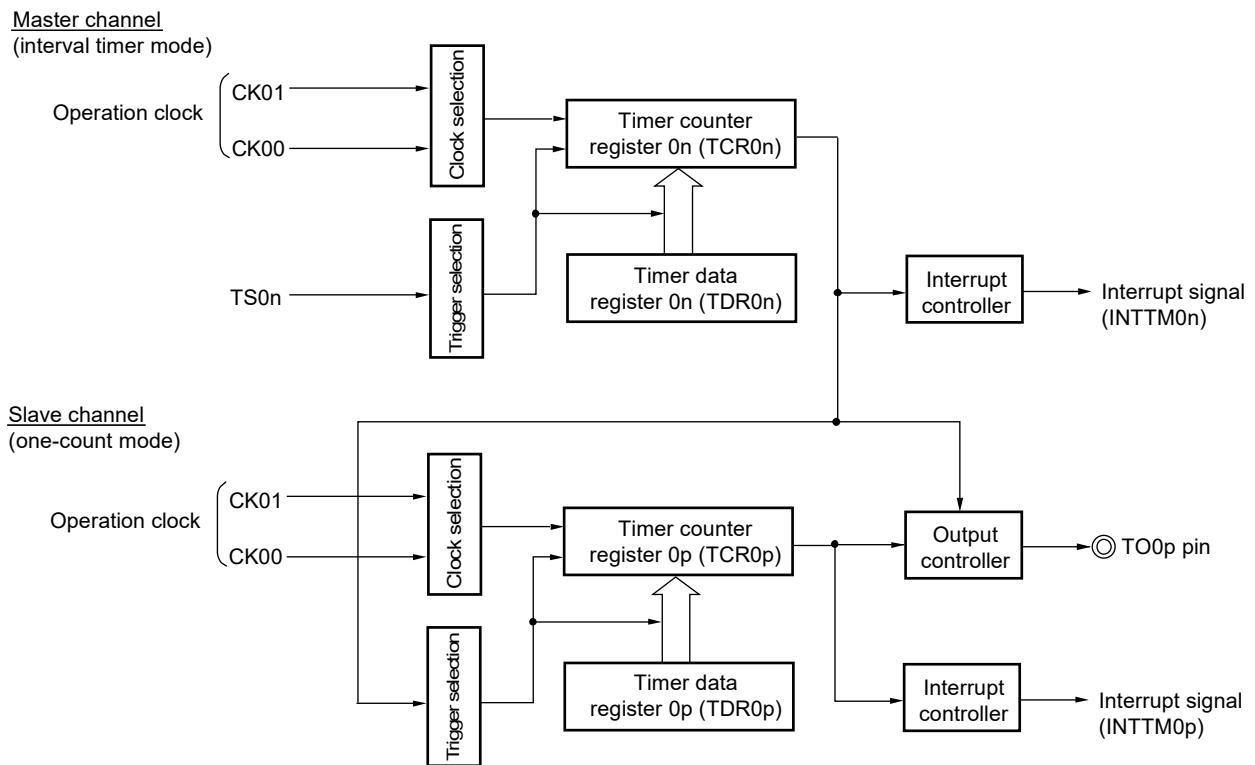
Cautions 1. To rewrite both timer data register 0n (TDR0nH, TDR0nL) of the master channel and the TDR0pH and TDR0pL registers of the slave channel, a write access is necessary at least four times. The timing at which the values of the TDR0nH, TDR0nL, TDR0pH, and TDR0pL registers are loaded to the TCR0nH, TCR0nL, TCR0pH, and TCR0pL registers is upon generation of INTTM0n of the master channel. Thus, when rewriting is performed split before and after generation of INTTM0n of the master channel, the TO0p pin cannot output the expected waveform. To rewrite all of the TDR0nH, TDR0nL, TDR0pH, and TDR0pL registers, therefore, be sure to consecutively rewrite the four registers immediately after INTTM0n is generated from the master channel.

2. To use the PWM output function in 8-bit timer mode, set 00H in TDR0nH of the master channel and set the pulse period for the 8-bit timer. The TDR0nL register value should be set within the range from 00H to FEH (0% to 100% output).

Remark n: Master channel number (n = 0, 2)

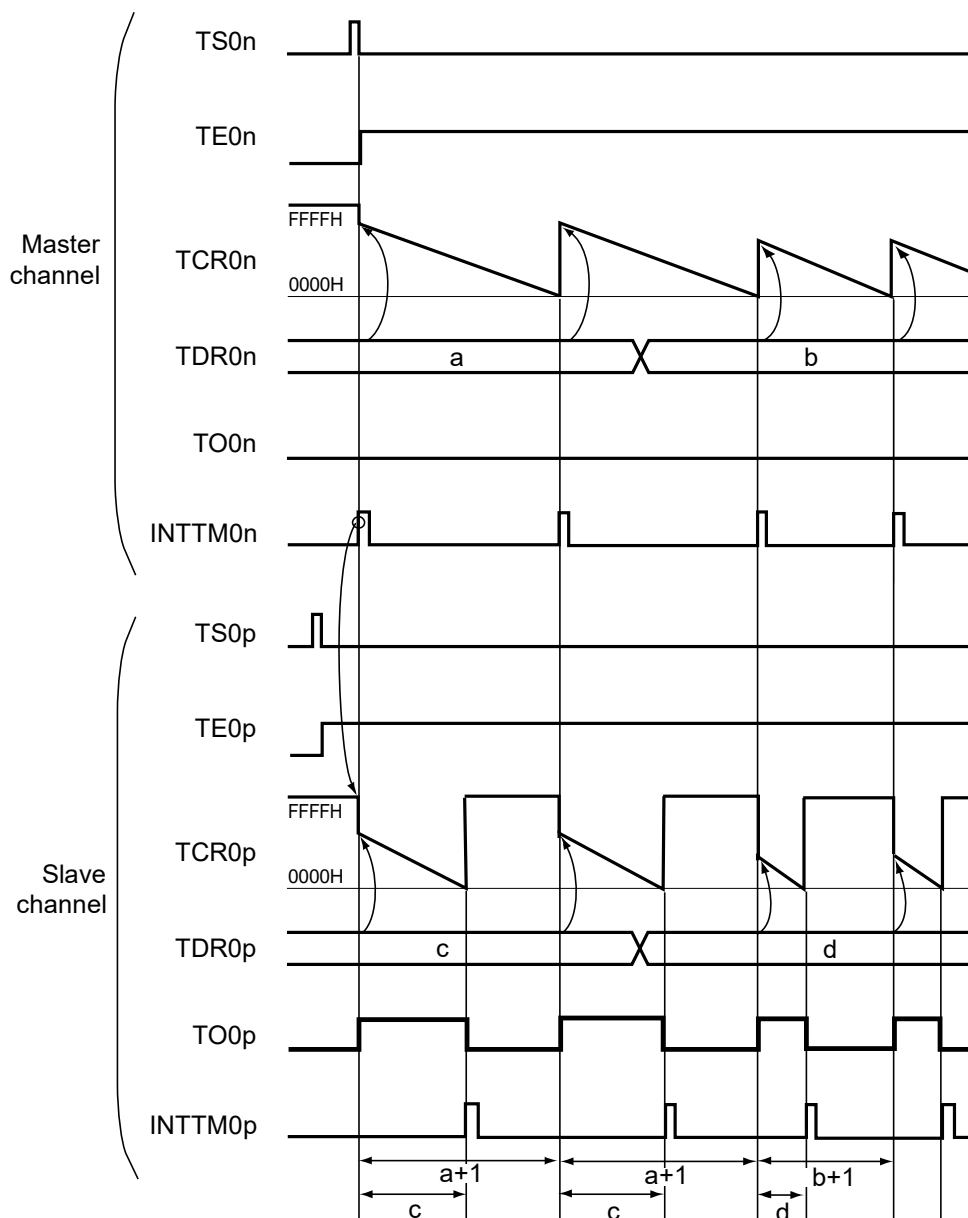
p: Slave channel number (n < p ≤ 3)

Figure 6-75. Block Diagram of Operation as PWM Output Function



Remark n: Master channel number ($n = 0, 2$)
 p: Slave channel number ($n < p \leq 3$)

Figure 6-76. Example of Basic Timing of Operation as PWM Output Function



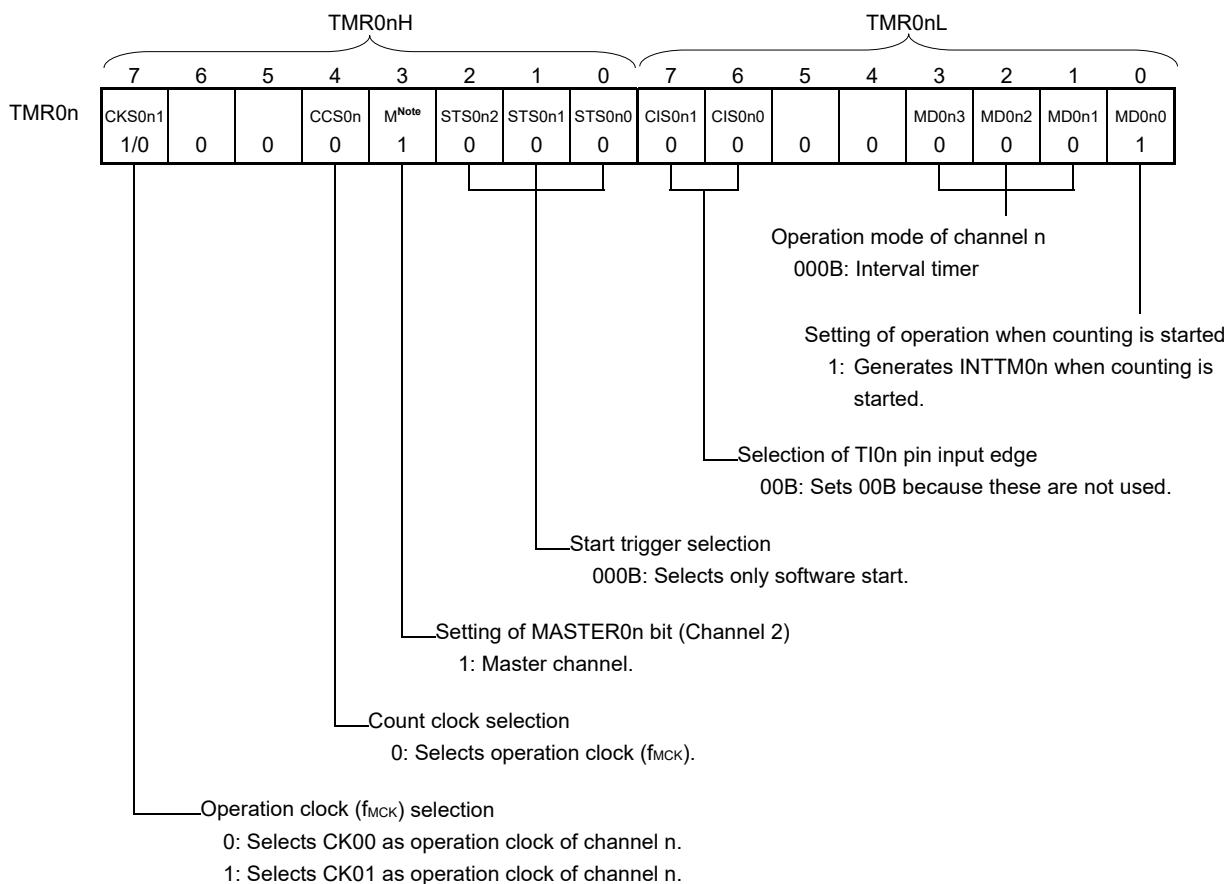
Remarks1. n: Master channel number (n = 0, 2)

p: Slave channel number (n < p ≤ 3)

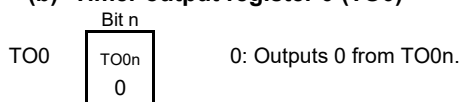
2. TS0n, TS0p: Bit n, p of timer channel start register 0 (TS0)
- TE0n, TE0p: Bit n, p of timer channel enable status register 0 (TE0)
- TCR0n, TCR0p: Timer count registers 0n, 0p (TCR0n, TCR0p)
- TDR0n, TDR0p: Timer data registers 0n, 0p (TDR0n, TDR0p)
- TO0n, TO0p: TO0n and TO0p pins output signal

Figure 6-77. Example of Set Contents of Registers for PWM Output Function (Master Channel)

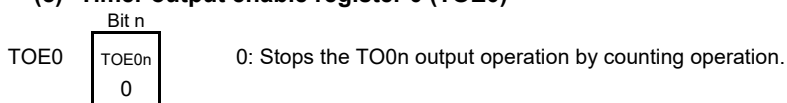
(a) Timer mode register 0n (TMR0nH, TMR0nL)



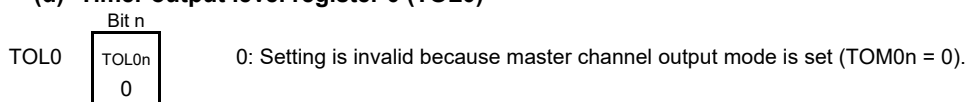
(b) Timer output register 0 (TO0)



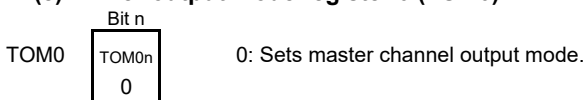
(c) Timer output enable register 0 (TOE0)



(d) Timer output level register 0 (TOL0)



(e) Timer output mode register 0 (TOM0)



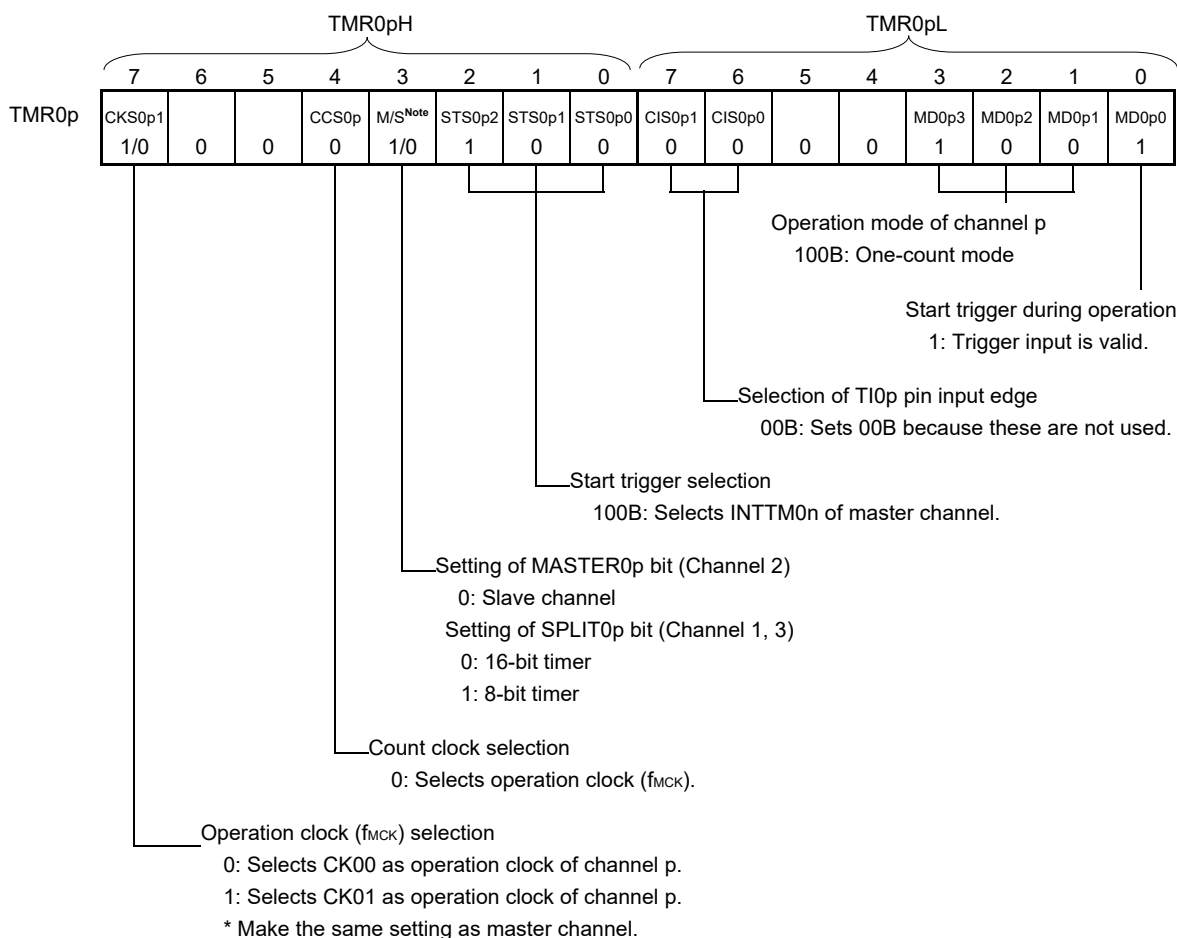
Note TMR02: MASTER02 bit

TMR00: 0 fixed

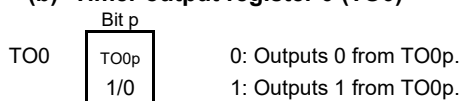
Remark n: Master channel number (n = 0, 2)

Figure 6-78. Example of Set Contents of Registers for PWM Output Function (Slave Channel) (1/2)

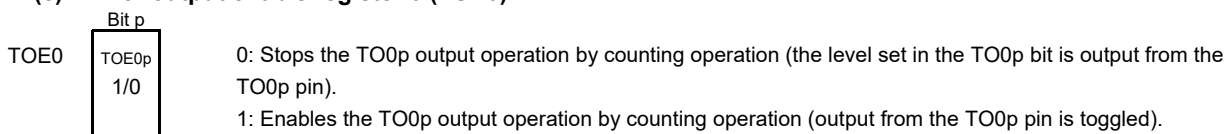
(a) Timer mode register 0p (TMR0pH, TMR0pL)



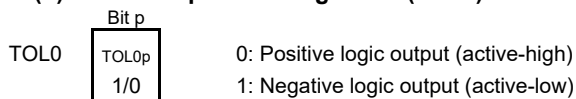
(b) Timer output register 0 (TO0)



(c) Timer output enable register 0 (TOE0)

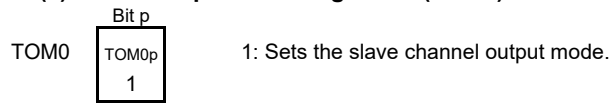


(d) Timer output level register 0 (TOL0)



Note TMR02: MASTER0p bit
TMR01, TMR03: SPLIT0p bit

Remark n: Master channel number (n = 0, 2)
p: Slave channel number (n < p ≤ 3)

Figure 6-78. Example of Set Contents of Registers for PWM Output Function (Slave Channel) (2/2)**(e) Timer output mode register 0 (TOM0)**

Remark n: Master channel number (n = 0, 2)
p: Slave channel number (n < p ≤ 3)

Figure 6-79. Procedure for Using PWM Output Function (1/2)

	Software operation	Hardware status
TAU default setting		Power-off status (Clock supply is stopped and writing to SFR of the TAU is disabled.)
	Sets the TAU0EN bit of peripheral enable register 0 (PER0) to 1 (when the TAU0EN bit is 0, read/write operation is disabled).	Power-on status. Each channel stops operating. (Clock supply is started and writing to SFR of the TAU is enabled.)
	Sets timer clock select register 0 (TPS0). Determines operating clock (CK00 and CK01) for each channel.	
Channel default setting	Sets timer mode registers 0n, 0p (TMR0n, TMR0p) (determines operation mode for each channel). Sets an interval (period) value of the master channel and a duty factor of the slave channel in the timer data registers 0n and 0p (TDR0n and TDR0p) (for the access procedure to the TDR0nH and TDR0nL registers, see 6.2.2 Timer data register 0n (TDR0n)).	Channel stops operating. (Clock is supplied and some power is consumed.)
	Sets master channel Clears the target bit of the timer output mode register 0 (TOM0) to 0 (master channel output mode). Clears the target bit of the TOL0 register to 0. Clears the target bit of the timer output enable register 0 (TOE0) to 0. Sets slave channel Sets the target bit of the timer output mode register 0 (TOM0) to 1 (slave channel output mode). Sets the target bit of the TOL0 register. Sets the TO0p bit and determines default level of the TO0p output. Sets the TOE0p bit to 1 and enables operation of TO0p. Clears the port register and port mode register to 0. (output mode is set.)	The TO0p pin goes into Hi-Z state. (The port mode register is set to input mode.) TO0p does not change because channel stops operating (The TO0p pin is not affected even if the TO0p bit is modified). The level set in the TO0p bit is output from the TO0p pin.

Remark n: Master channel number (n = 0, 2)
p: Slave channel number (n < p ≤ 3)

Figure 6-79. Procedure for Using PWM Output Function (2/2)

	Software operation	Hardware status
Operation start	<p>Sets the TOE0p bit of the slave register to 1 and enables operation of TO0n (only when operation is resumed). Sets the target bits (master and slave) of the TS0 register to 1 at the same time. The target bits of the TS0 register automatically return to 0 because they are trigger bits.</p>	<p>The target bit of the TE0 register is set to 1, and the timer counter register 0n (TCR0n) of the master channel is loaded with the TDR0n register value and starts counting down.</p>
During operation	<p>Changes master channel setting. The set values of the TDR0n register can be changed after INTTM0n of the master channel is generated. The TCR0n register can always be read (for the access procedure to the TCR0nH and TCR0nL registers, see 6.2.1 Timer counter register 0n (TCR0n)). The set values in the target bits of the TMR0n, TO0, TOE0, TOM0, and TOL0 registers cannot be changed.</p> <p>Changes slave channel setting. The set values of the TDR0p register can be changed after INTTM0n of the master channel is generated. The TCR0p register can always be read. The set values in the target bits of the TO0, TOE0, and TOL0 registers can be changed. The set values in the target bits of the TMR0p and TOM0 registers cannot be changed.</p>	<p>The timer counter register 0n (TCR0n) of the master channel performs count down operation. When the count value reaches TCR0n = 0000H, INTTM0n output is generated. At the same time, the value of the TDR0n register is loaded to the TCR0n register, and the counter starts counting down again. At the slave channel, the value of the TDR0p register is loaded to the TCR0p register, triggered by INTTM0n of the master channel, and the counter starts counting down. The output level of TO0p becomes active one count clock (f_{CLK}) after generation of the INTTM0n output from the master channel. It becomes inactive when TCR0p = 0000H, and the counting operation is stopped with TCR0p = FFFFH. After that, the above operation is repeated.</p>
Operation stop	<p>Sets the target bits of the TT0 registers (master and slave) to 1 at the same time. The target bits of the TT0 registers automatically return to 0 because they are trigger bits.</p>	<p>The target bits of the TE0 register are cleared to 0, and count operation stops. The TCR0n and TCR0p registers hold count value and stop. The TO0p output is not initialized but holds current status.</p>
	<p>Clears the TOE0p bit of slave channel to 0 and sets a value to the TO0p bit.</p>	<p>The level set in the TO0p bit is output from the TO0p pin.</p>
TAU stop	<p>To hold the TO0p pin output level Clears the TO0p bit to 0 after the value to be held (output latch) is set to the port register.</p> <p>Clears the TAU0EN bit of the PER0 register to 0.</p>	<p>The TO0p pin output level is held by port function.</p> <p>Power-off status (Clock supply is stopped and SFR of the TAU is initialized.)</p>

Operation is resumed.

Remark n: Master channel number (n = 0, 2)
 p: Slave channel number (n < p ≤ 3)

6.9.4 Operation as multiple PWM output function

By extending the PWM output function and using multiple slave channels, many PWM waveforms with different duty values can be output. The multiple PWM output function is provided only in the 16-bit products.

When channel 1 or 3 is used as an 8-bit timer (SPLIT0n = 1), only the lower 8-bit timer can be used as the slave channel for the PWM output function.

For example, when using two slave channels, the period and duty factor of an output pulse can be calculated by the following expressions.

$$\begin{aligned} \text{Pulse period} &= \{\text{Set value of TDR0n (master)} + 1\} \times \text{Count clock period} \\ \text{Duty factor 1 [\%]} &= \{\text{Set value of TDR0p (slave 1)}\} / \{\text{Set value of TDR0n (master)} + 1\} \times 100 \\ \text{Duty factor 2 [\%]} &= \{\text{Set value of TDR0q (slave 2)}\} / \{\text{Set value of TDR0n (master)} + 1\} \times 100 \end{aligned}$$

Remark Although the duty factor exceeds 100% if the set value of TDR0p (slave 1) > {set value of TDR0n (master) + 1} or if the {set value of TDR0q (slave 2)} > {set value of TDR0n (master) + 1}, the actually output PWM waveform has a 100% duty factor.

The master channel counts the pulse periods. When operated in interval timer mode, it loads the TDR0n value to the TCR0n register to start counting down.

The slave channel 1 counts the duty factor, and outputs any PWM waveform from the TO0p pin. When operated in one-count mode, it loads the TDR0p register value to the TCR0p register using INTTM0n from the master channel as a start trigger, and performs count down operation until TCR0p reaches 0000H. When TCR0p = 0000H, TCR0p outputs INTTM0p and stops counting with TCR0q = FFFFH until the next start trigger (INTTM0n from the master channel) has been input.

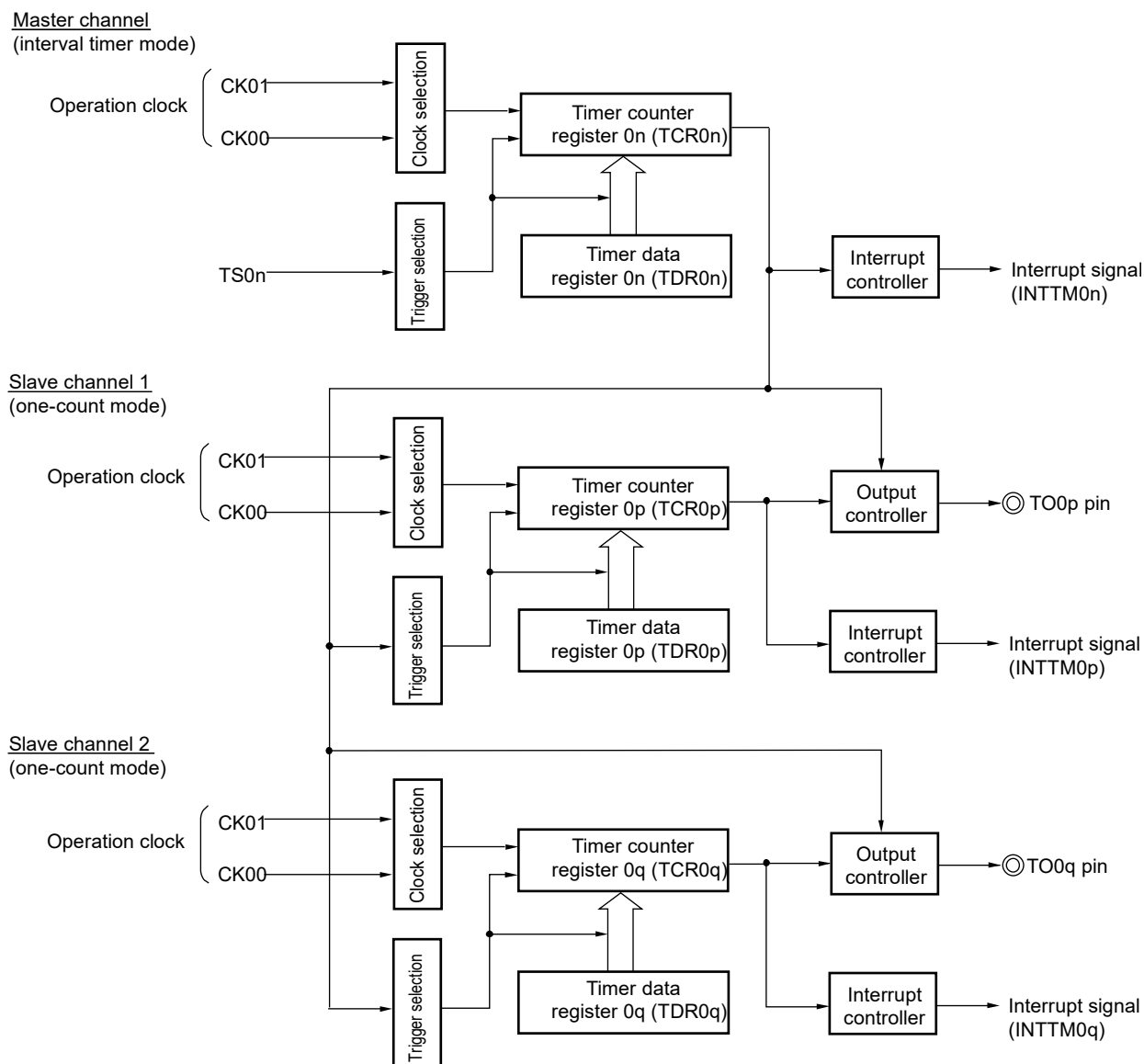
In the same way as the slave channel 1, the slave channel 2 counts the duty factor, and outputs a desired PWM waveform from the TO0q pin. When operated in one-count mode, the counter loads the TDR0q register value to the TCR0q register using INTTM0n from the master channel as a start trigger, and performs counting down until TCR0q reaches 0000H. When TCR0q = 0000H, the TCR0q register outputs INTTM0q and stops counting with TCR0p = FFFFH until the next start trigger (INTTM0n from the master channel) has been input.

The PWM output level (TO0p or TO0q) becomes active one count clock (f_{CLK}) after generation of INTTM0n from the master channel, and inactive when TCR0p = 0000H or TCR0q = 0000H.

When channel 0 is used as the master channel as above, up to three types of PWM signals can be output at the same time.

- Cautions**
1. To rewrite both timer data register 0n (TDR0nH, TDR0nL) of the master channel and the TDR0pH and TDR0pL registers of the slave channel, write access is necessary at least four times. Since the values of the TDR0nH, TDR0nL, TDR0pH, and TDR0pL registers are loaded to the TCR0nH, TCR0nL, TCR0pH, and TCR0pL registers after INTTM0n is generated from the master channel, if rewriting is performed separately before and after generation of INTTM0n from the master channel, the TO0p pin cannot output the expected waveform. To rewrite all of the TDR0nH, TDR0nL, TDR0pH, and TDR0pL registers, be sure to consecutively rewrite the four registers immediately after INTTM0n is generated from the master channel.
 2. To use the multiple PWM output function in 8-bit timer mode, set 00H in TDR0nH of the master channel and set the pulse period for the 8-bit timer. The TDR0nL register value should be set within the range from 00H to FEH (0% to 100% output).

Remark n: Master channel number (n = 0)
 p: Channel number of slave channel 1, q: Channel number of slave channel 2
 n < p < q ≤ 3 (Where p and q are consecutive integers greater than n)

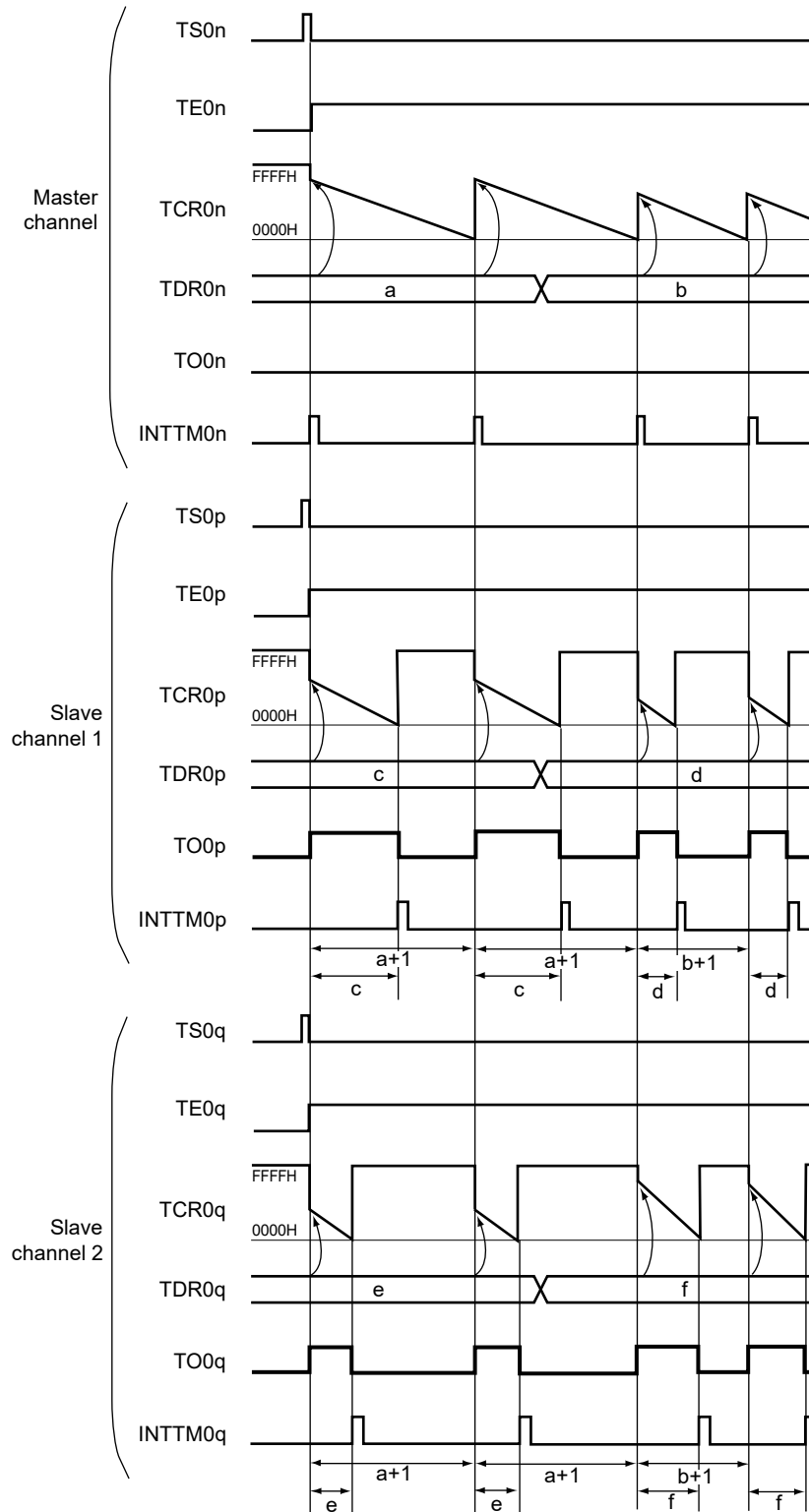
Figure 6-80. Block Diagram of Operation as Multiple PWM Output Function (Output Two Types of PWMs)

Remark n: Channel number (n = 0)

p: Channel number of slave channel 1, q: Channel number of slave channel 2

$n < p < q \leq 3$ (Where p and q are consecutive integers greater than n)

Figure 6-81. Example of Basic Timing of Operation as Multiple PWM Output Function (Output Two Types of PWMs)



(Remarks are listed on the next page.)

- Remarks 1.** n: Channel number (n = 0)
 p: Slave channel number 1, q: Slave channel number 2
 n < p < q ≤ 3 (Where p and q are consecutive integers greater than n)
- 2.** TS0n, TS0p, TS0q: Bit n, p, q of timer channel start register 0 (TS0)
 TE0n, TE0p, TE0q: Bit n, p, q of timer channel enable status register 0 (TE0)
 TCR0n, TCR0p, TCR0q: Timer count registers 0n, 0p, 0q (TCR0n, TCR0p, TCR0q)
 TDR0n, TDR0p, TDR0q: Timer data registers 0n, 0p, 0q (TDR0n, TDR0p, TDR0q)
 TO0n, TO0p, TO0q: TO0n, TO0p, and TO0q pins output signal

Figure 6-82. Example of Set Contents of Registers for Multiple PWM Output Function (Master Channel) (1/2)

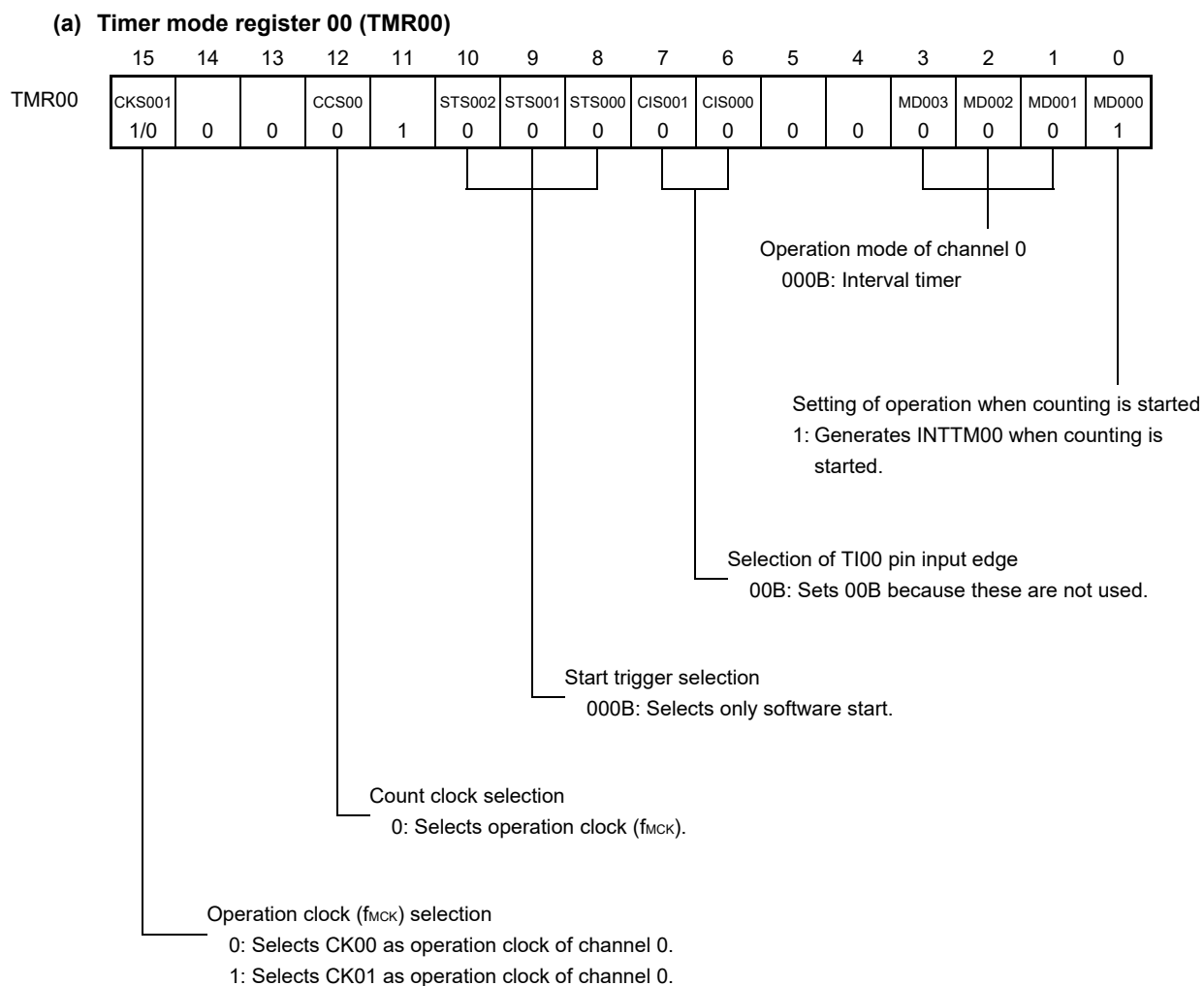
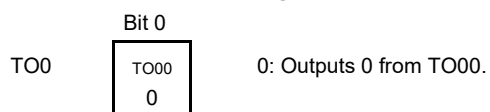
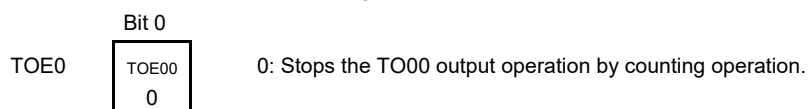
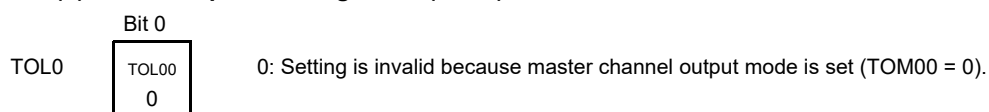
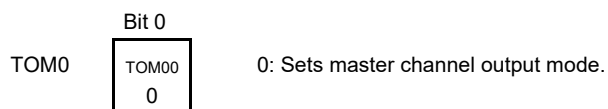
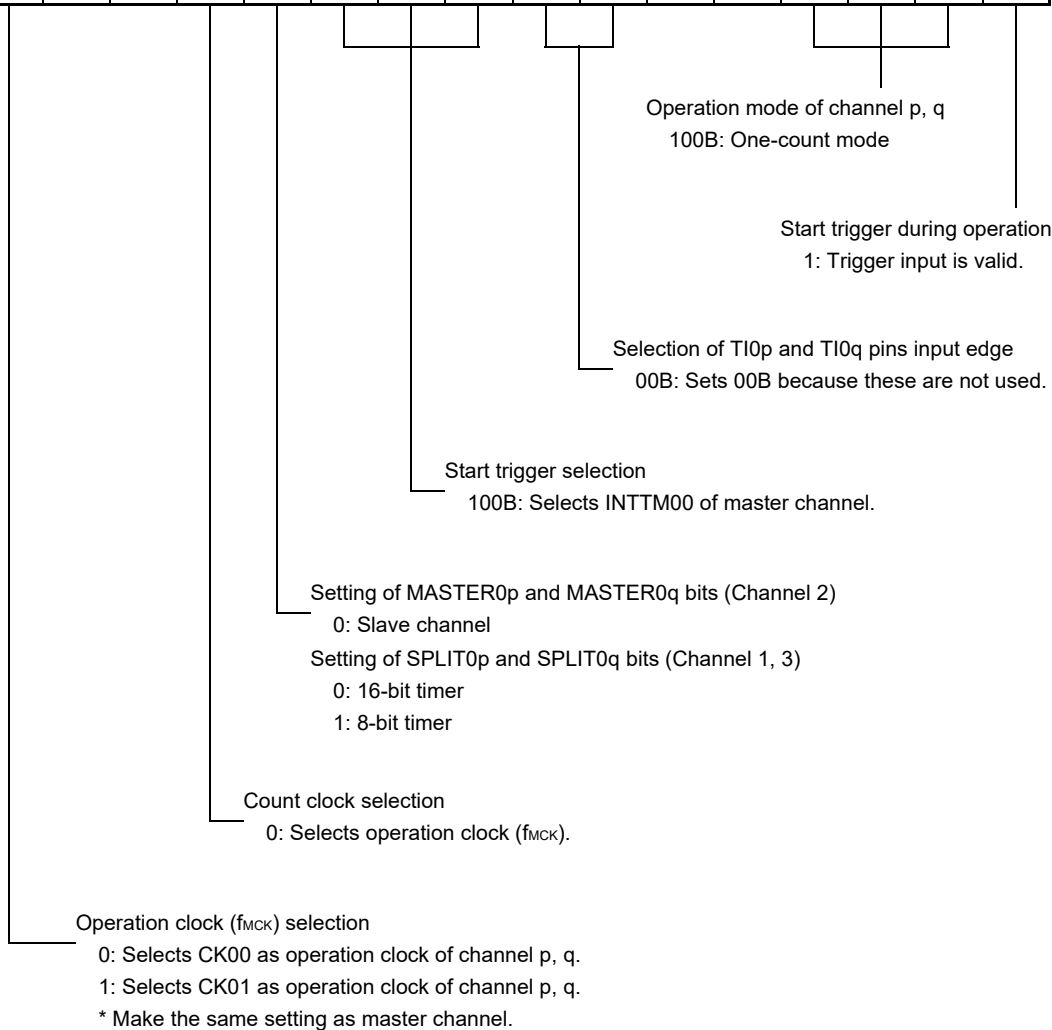


Figure 6-82. Example of Set Contents of Registers for Multiple PWM Output Function (Master Channel) (2/2)**(b) Timer output register 0 (TO0)****(c) Timer output enable register 0 (TOE0)****(d) Timer output level register 0 (TOL0)****(e) Timer output mode register 0 (TOM0)**

**Figure 6-83. Example of Set Contents of Registers for Multiple PWM Output Function (Slave Channel)
(Output Two Types of PWMs) (1/2)**

(a) Timer mode register 0p, 0q (TMR0p, TMR0q)

	15	14	13	12	11	10	9	8	7	6	5	4	3	2	1	0
TMR0p	CKS0p1			CCS0p	M/S ^{Note}	STS0p2	STS0p1	STS0p0	CIS0p1	CIS0p0			MD0p3	MD0p2	MD0p1	MD0p0
	1/0	0	0	0	0	1	0	0	0	0	0	0	1	0	0	1
TMR0q	CKS0q1			CCS0q	M/S ^{Note}	STS0q2	STS0q1	STS0q0	CIS0q1	CIS0q0			MD0q3	MD0q2	MD0q1	MD0q0
	1/0	0	0	0	0	1	0	0	0	0	0	0	1	0	0	1



Note TMR02: MASTER0p and MASTER0q bits
TMR01, TMR03: SPLIT0p and SPLIT0q bits

Remark p: Channel number of slave channel 1, q: Channel number of slave channel 2
0 < p < q ≤ 3 (Where p and q are consecutive integers greater than 0)

**Figure 6-83. Example of Set Contents of Registers for Multiple PWM Output Function (Slave Channel)
(Output Two Types of PWMs) (2/2)**

(b) Timer output register 0 (TO0)

	Bit q	Bit p	
TO0	TO0q 1/0	TO0p 1/0	0: Outputs 0 from TO0p or TO0q. 1: Outputs 1 from TO0p or TO0q.

(c) Timer output enable register 0 (TOE0)

	Bit q	Bit p	
TOE0	TOE0q 1/0	TOE0p 1/0	0: Stops the TO0p or TO0q output operation by counting operation (the level set in the TO0p or TO0q bit is output from the TO0p or TO0q pin). 1: Enables the TO0p or TO0q output operation by counting operation (output from the TO0p or TO0q pin is toggled).

(d) Timer output level register 0 (TOL0)

	Bit q	Bit p	
TOL0	TOL0q 1/0	TOL0p 1/0	0: Positive logic output (active-high) 1: Negative logic output (active-low)

(e) Timer output mode register 0 (TOM0)

	Bit q	Bit p	
TOM0	TOM0q 1	TOM0p 1	1: Sets the slave channel output mode.

Remark p: Channel number of slave channel 1, q: Channel number of slave channel 2
 $0 < p < q \leq 3$ (Where p and q are consecutive integers greater than 0)

Figure 6-84. Procedure for Using Multiple PWM Output Function (Output Two Types of PWMs) (1/2)

	Software operation	Hardware status
TAU default setting		Power-off status (Clock supply is stopped and writing to SFR of the TAU is disabled.)
	Sets the TAU0EN bit of peripheral enable register 0 (PER0) to 1 (when the TAU0EN bit is 0, read/write operation is disabled).	Power-on status. Each channel stops operating. (Clock supply is started and writing to SFR of the TAU is enabled.)
	Sets timer clock select register 0 (TPS0). Determines operating clock (CK00 and CK01) for each channel.	
Channel default setting	Sets timer mode registers 00, 0p, 0q (TMR00, TMR0p, TMR0q) (determines operation mode for each channels). Sets an interval (period) value of the master channel and a duty factor of the slave channels to the timer data registers 00, 0p, and 0q (TDR00, TDR0p, and TDR0q) (for the access procedure to the TDR0nH and TDR0nL registers, see 6.2.2 Timer data register 0n (TDR0n)).	Channel stops operating. (Clock is supplied and some power is consumed.)
	Sets master channel. Clears the target bit of the timer output mode register 0 (TOM0) to 0 (master channel output mode). Clears the target bit of the TOL0 register to 0. Clears the target bit of the timer output enable register 0 (TOE0) to 0.	The TO0p and TO0q pins go into Hi-Z state. (The port mode register is in output mode.)
	Sets slave channel. Sets the target bit of the timer output mode register 0 (TOM0) to 1 (slave channel output mode). Sets the target bit of the TOL0 register. Sets the TO0p and TO0q bits and determines default level of the TO0p and TO0q outputs. Sets the TOE0p and TOE0q bits to 1 and enables TO0p and TO0q outputs based on count operation. Clears the port register and port mode register to 0. (output mode is set.)	TO0p and TO0q do not change because channels stop operating. (The TO0p pin is not affected even if the TO0p or TO0q bit is modified). The levels set in the TO0p and TO0q bits are output from the TO0p and TO0q pins.

Remark p: Channel number of slave channel 1, q: Channel number of slave channel 2
 $n < p < q \leq 3$ (Where p and q are a consecutive integer greater than n)

Figure 6-84. Procedure for Using Multiple PWM Output Function (Output Two Types of PWMs) (2/2)

	Software operation	Hardware status
Operation is resumed.	<p>Operation start</p> <p>Sets the TOE0p and TOE0q bits of the slave register to 1 and enables the TO0p and TO0q outputs by the count operation (only when resuming operation). Sets the target bits of the TS0 register (master and slave) to 1 at the same time. The target bits of TS0 register automatically return to 0 because they are trigger bits.</p>	<p>The target bit of the TE0 register is set to 1, and the timer counter register 00 (TCR00) of the master channel is loaded with the TDR00 register value and starts counting down.</p>
	<p>During operation</p> <p>Changes master channel setting. The set values of the TDR00 register can be changed after INTTM00 of the master channel is generated. The TCR00 register can always be read (for the access procedure to the TCR00H and TCR00L registers, see 6.2.1 Timer counter register 0n (TCR0n)). The set values in the target bits of the TMR00, TO0, TOE0, TOM0, and TOL0 registers cannot be changed. Changes slave channel setting. The set values of the TDR0p and TDR0q registers can be changed after INTTM00 of the master channel is generated. The TCR0p and TCR0q register can always be read. The set values in the target bits of the TO0, TOE0, and TOL0 registers can be changed. The set values in the target bits of the TMR0p, TMR0q, and TOM0 registers cannot be changed.</p>	<p>The timer counter register 00 (TCR00) of the master channel performs count down operation. When the count value reaches TCR00 = 0000H, INTTM00 is generated. At the same time, the value of the TDR00 register is loaded to the TCR00 register, and the counter starts counting down again. At the slave channel, the values of the TDR0p and TDR0q registers are loaded to the TCR0p and TCR0q registers, triggered by INTTM00 of the master channel, and the counter starts counting down. The output levels of TO0p and TO0q become active one count clock (f_{CLK}) after generation of the INTTM00 output from the master channel. They become inactive when TCR0p = 0000H and TCR0q = 0000H, and the counting operation is stopped at TCR0p = FFFFH and TCR0q = FFFFH. After that, the above operation is repeated.</p>
	<p>Operation stop</p> <p>Sets the target bits (master and slave) of the TT0 register to 1 at the same time. The target bits of the TT0 register automatically return to 0 because they are trigger bits.</p>	<p>The target bits of the TE0 register are cleared to 0, and count operation stops. The TCR00, TCR0p, and TCR0q registers hold count value and stop. The TO0p and TO0q outputs are not initialized but hold current status.</p>
	<p>Clears the TOE0p and TOE0q bits of slave channels to 0 and sets a value to the TO0p and TO0q bits.</p>	<p>The levels set in the TO0p and TO0q bit are output from the TO0p and TO0q pins.</p>
	<p>TAU stop</p> <p>To hold the TO0p and TO0q pin output levels Clears the TO0p and TO0q bits to 0 after the value to be held (output latch) is set to the port register.</p>	<p>The TO0p and TO0q pin output levels are held by port function.</p>
	<p>Clears the TAU0EN bit of the PER0 register to 0.</p>	<p>Power-off status (Clock supply is stopped and SFR of the TAU is initialized.)</p>

Remark p: Channel number of slave channel 1, q: Channel number of slave channel 2
 0 < p < q ≤ 3 (Where p and q are a consecutive integer greater than 0)

6.10 Cautions When Using Timer Array Unit

6.10.1 Cautions when using timer output

Depending on the product, a timer output and other alternate functions may be assigned to some pins. In such case, the outputs of the other alternate functions must be set to their initial states.

For details, see **4.5 Register Settings When an Alternate Function Is Used**.

CHAPTER 7 12-BIT INTERVAL TIMER

7.1 Functions of 12-bit Interval Timer

An interrupt request signal (INTIT) is generated at any previously specified time interval. It can be utilized as the trigger for waking up from STOP mode and HALT mode.

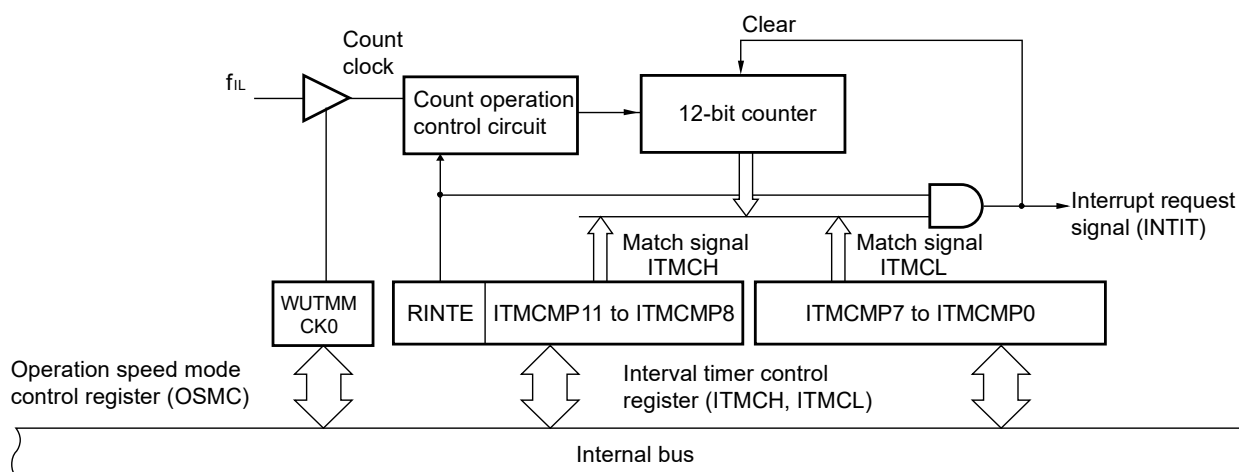
7.2 Configuration of 12-bit Interval Timer

The 12-bit interval timer includes the following hardware.

Table 7-1. Configuration of 12-bit Interval Timer

Item	Configuration
Counter	12-bit counter
Control registers	Peripheral enable register 0 (PER0)
	Operation speed mode control register (OSMC)
	Interval timer control register H (ITMCH)
	Interval timer control register L (ITMCL)

Figure 7-1. Block Diagram of 12-bit Interval Timer



7.3 Registers Controlling 12-bit Interval Timer

The 12-bit interval timer is controlled by the following registers.

- Peripheral enable register 0 (PER0)
- Operation speed mode control register (OSMC)
- Interval timer control register (ITMC)

7.3.1 Peripheral enable register 0 (PER0)

This register is used to enable or disable supplying the clock to the peripheral hardware. Clock supply to the hardware that is not used is also stopped so as to decrease the power consumption and noise.

When using the 12-bit interval timer, be sure to set bit 7 (TMKAEN) to 1 at first.

The PER0 register can be set by a 1-bit or 8-bit memory manipulation instruction.

Reset signal generation clears this register to 00H.

Figure 7-2. Format of Peripheral Enable Register 0 (PER0)

Address: F00F0H After reset: 00H R/W

Symbol	<7>	<6>	<5>	4	3	<2>	1	<0>
PER0	TMKAEN	RTOEN ^{Note}	ADCEN	0	0	SAU0EN	0	TAU0EN

TMKAEN	Control of 12-bit interval timer input clock supply
0	Stops input clock supply. <ul style="list-style-type: none"> • SFR used by the 12-bit interval timer cannot be written. • The 12-bit interval timer is in the reset status.
1	Enables input clock supply. <ul style="list-style-type: none"> • SFR used by the 12-bit interval timer can be read and written.

Note R7F0C806 and R7F0C807 products only.

- Cautions**
1. Set the WUTMMCK0 bit of the OSMC register to 1 to determine the clock source for counting before supplying an input clock signal to the 12-bit interval timer (TMKAEN = 1).
 2. When setting the 12-bit interval timer, be sure to first set the TMKAEN bit to 1 and then set the following registers, while oscillation of the count clock is stable. If TMKAEN = 0, writing to the 12-bit interval timer is ignored, and all read values are default values (except for the operation speed mode control register (OSMC)).
 - Interval timer control register H (ITMCH)
 - Interval timer control register L (ITMCL)
 3. Be sure to clear the following bits to 0.
 - R7F0C806 and R7F0C807 products: Bits 1, 3, and 4
 - R7F0C808 and R7F0C809 products: Bits 1, 3, 4, and 6

7.3.2 Operation speed mode control register (OSMC)

The WUTMMCK0 bit can be used to control supply of the 12-bit interval timer count clock.

Set the WUTMMCK0 bit to 1 before operating the 12-bit interval timer.

Do not clear WUTMMCK0 to 0 before counter operation has stopped.

The OSMC register can be set by an 8-bit memory manipulation instruction.

Reset signal generation clears this register to 00H.

Figure 7-3. Format of Operation Speed Mode Control Register (OSMC)

Address: F00F3H After reset: 00H R/W

Symbol	7	6	5	4	3	2	1	0
OSMC	0	0	0	WUTMMCK0	0	0	0	0

WUTMMCK0	Supply of count clock for 12-bit interval timer
0	Clock supply stop.
1	Low-speed on-chip oscillator clock (f _{IL}) supply

7.3.3 Interval timer control register (ITMCH, ITMCL)

This register is used to set up the starting and stopping of the 12-bit interval timer operation and to specify the timer compare value.

Set the eight lower-order bits (ITCMP7 to ITCMP0) of the value for comparison in the ITMCL register and then set the four higher-order bits (ITCMP11 to ITCMP8) of the value for comparison and make the setting to stop or start counter operation in the ITMCH register.

The ITMCH and ITMCL registers can be set by an 8-bit memory manipulation instruction.

Reset signal generation sets the ITMCH and ITMCL registers to 0FH and FFH, respectively.

Figure 7-4. Format of Interval Timer Control Register (ITMCH, ITMCL)

Address: FFF91H After reset: 0FH R/W

Symbol	7	6	5	4	3 to 0
ITMCH	RINTE	0	0	0	ITCMP11 to ITCMP8

Address: FFF90H After reset: FFH R/W

Symbol	7	6	5	4	3	2	1	0
ITMCL	ITCMP7 to ITCMP0							

RINTE	12-bit interval timer operation control
0	Count operation stopped (count clear)
1	Count operation started

ITCMP11 to ITCMP0	Specification of the 12-bit interval timer compare value
001H	These bits generate an interrupt at the fixed cycle (count clock cycles × (ITCMP setting + 1)).
...	
FFFH	
000H	Setting prohibited

Example interrupt cycles when 001H or FFFH is specified for ITCMP11 to ITCMP0

- ITCMP11 to ITCMP0 = 001H, count clock: when $f_{IL} = 15 \text{ kHz}$
 $1/15 \text{ [kHz]} \times (1 + 1) \div 0.1333 \text{ [ms]} = 133.3 \text{ [}\mu\text{s]}$
- ITCMP11 to ITCMP0 = FFFH, count clock: when $f_{IL} = 15 \text{ kHz}$
 $1/15 \text{ [kHz]} \times (4095 + 1) \div 273 \text{ [ms]}$

- Cautions**
1. Set the TMKAMK flag to 1 to disable processing of the INTIT interrupt before stopping the counter (by clearing the RINTE bit to 0). Clear the TMKAIF flag to 0 to enable INTIT interrupt processing before restarting counter operation (by setting the RINTE bit to 1).
 2. The value read from the RINTE bit is applied one count clock cycle after setting the RINTE bit to 1.
 3. When setting the RINTE bit after returned from standby mode and entering standby mode again, confirm that the written value of the RINTE bit is reflected, or wait that more than one clock of the count clock has elapsed after returned from standby mode. Then enter standby mode.
 4. Only change the setting of the ITCMP11 to ITCMP0 bits when the counting operation is stopped (RINTE = 0).
 However, it is possible to change the settings of the ITCMP11 to ITCMP8 bits at the same time as when changing the setting of the RINTE bit from 0 to 1 or 1 to 0.

7.4 12-bit Interval Timer Operation

7.4.1 12-bit interval timer operation timing

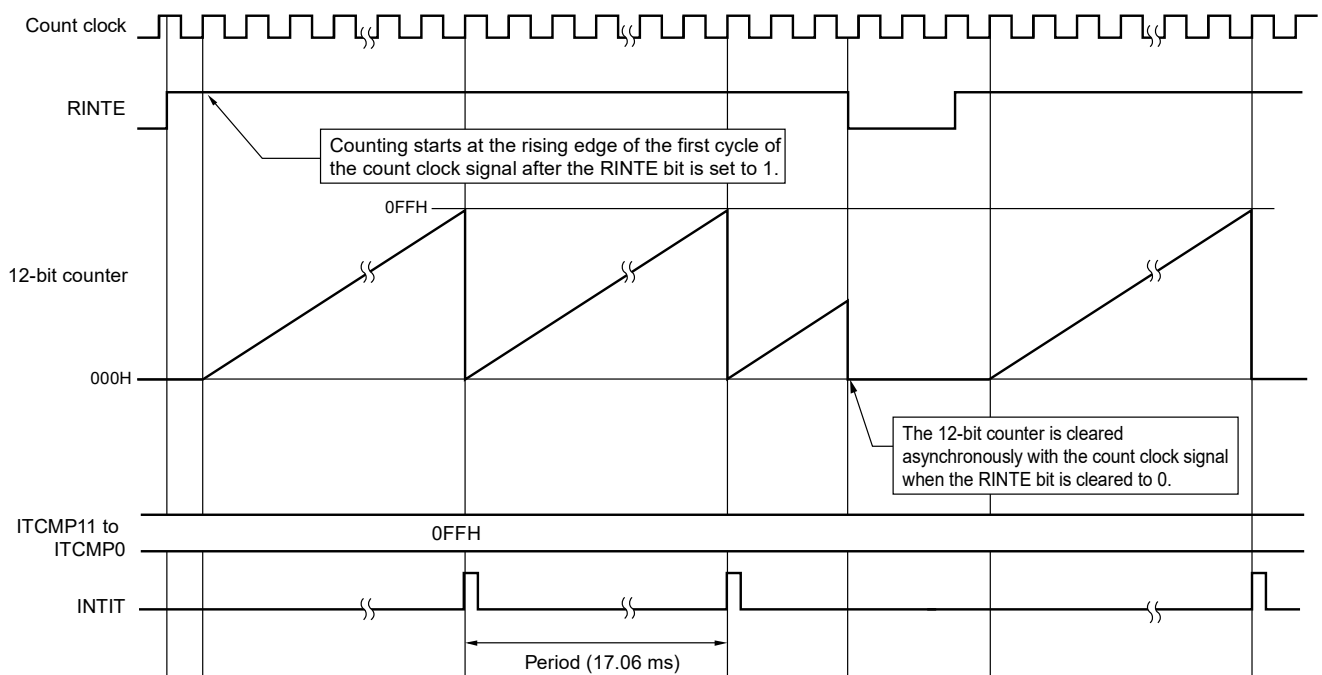
The count value specified for the ITCMP11 to ITCMP0 bits is used as an interval to operate a 12-bit interval timer that repeatedly generates interrupt requests (INTIT).

When the RINTE bit is set to 1, the 12-bit counter starts counting.

When the 12-bit counter value matches the value specified for the ITCMP11 to ITCMP0 bits, the 12-bit counter value is cleared to 0, counting continues, and an interrupt request signal (INTIT) is generated at the same time.

The basic operation of the 12-bit interval timer is shown in Figure 7-5.

Figure 7-5. 12-bit Interval Timer Operation Timing
(ITCMP11 to ITCMP0 = 0FFH, count clock: $f_{clk} = 15 \text{ kHz}$)

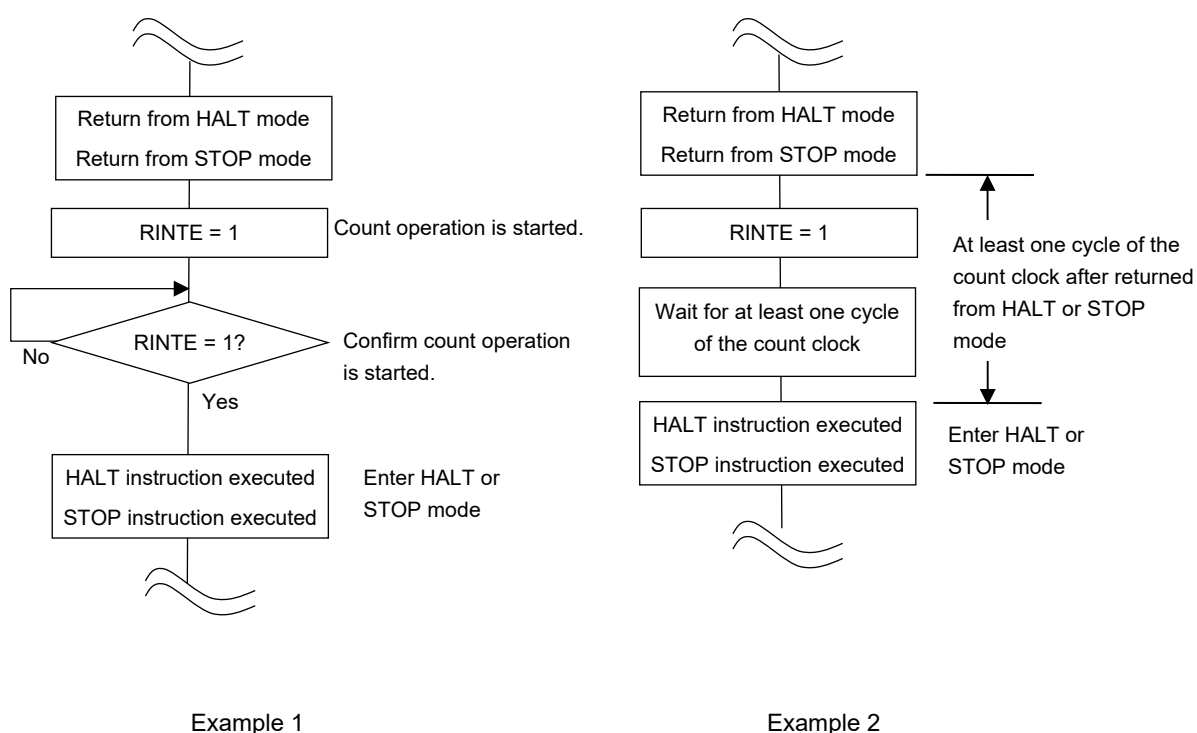


7.4.2 Start of count operation and re-enter to HALT/STOP mode after returned from HALT/STOP mode

When setting the RINTE bit after returned from HALT or STOP mode and entering HALT or STOP mode again, write 1 to the RINTE bit, and confirm the written value of the RINTE bit is reflected or wait for at least one cycle of the count clock. Then, enter HALT or STOP mode.

- After setting RINTE to 1, confirm by polling that the RINTE bit has become 1, and then enter HALT or STOP mode (see Example 1 in **Figure 7-6**).
- After setting RINTE to 1, wait for at least one cycle of the count clock and then enter HALT or STOP mode (see Example 2 in **Figure 7-6**).

Figure 7-6. Procedure of Entering to HALT or STOP Mode After Setting RINTE to 1



CHAPTER 8 CLOCK OUTPUT/BUZZER OUTPUT CONTROLLER

8.1 Functions of Clock Output/Buzzer Output Controller

The clock output controller is intended for clock output for supply to peripheral ICs.

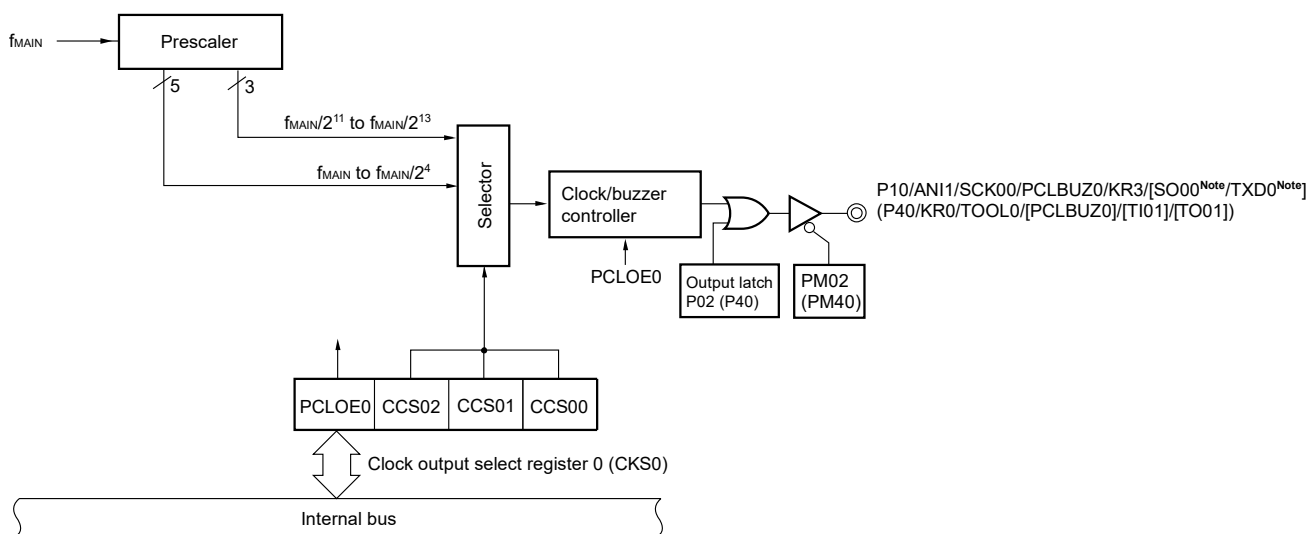
Buzzer output is a function to output a square wave of buzzer frequency.

One pin can be used to output a clock or buzzer sound.

The PCLBUZ0 pin outputs a clock selected by clock output select register 0 (CKS0).

Figure 8-1 shows the block diagram of clock output/buzzer output controller.

Figure 8-1. Block Diagram of Clock Output/Buzzer Output Controller



Note R7F0C806,807 products only

Caution The PCLBUZ0 pin can output a frequency, see 23.4 AC Characteristics.

Remark Functions in parentheses in the above figure can be assigned via settings in the peripheral I/O redirection register (PIOR).

8.2 Configuration of Clock Output/Buzzer Output Controller

The clock output/buzzer output controller includes the following hardware.

Table 8-1. Configuration of Clock Output/Buzzer Output Controller

Item	Configuration
Control registers	Clock output select register 0 (CKS0) Port mode register 0 (PM0) [Port mode register 4 (PM4)] Port register 0 (P0) [Port register 4 (P4)] Port mode control register 0 (PMC0) Peripheral I/O redirection register (PIOR)

Remark Functions in brackets in the above table can be assigned via settings in the peripheral I/O redirection register (PIOR).

8.3 Registers Controlling Clock Output/Buzzer Output Controller

The following registers are used to control the clock output/buzzer output controller.

- Clock output select register 0 (CKS0)
- Port mode register 0 (PM0) [Port mode register 4 (PM4)]
- Port mode control register 0 (PMC0)
- Peripheral I/O redirection register (PIOR)

Remark Functions in brackets can be assigned via settings in the peripheral I/O redirection register (PIOR).

8.3.1 Clock output select register 0 (CKS0)

This register sets output enable/disable for clock output or for the buzzer frequency output pin (PCLBUZ0), and sets the output clock.

The CKS0 register is set by a 1-bit or 8-bit memory manipulation instruction.

Reset signal generation clears this register to 00H.

Figure 8-2. Format of Clock Output Select Register 0 (CKS0)

Address: FFFA5H After reset: 00H R/W

Symbol	<7>	6	5	4	3	2	1	0
CKS0	PCLOE0	0	0	0	0	CCS02	CCS01	CCS00

PCLOE0	PCLBUZ0 pin output enable/disable specification
0	Output disable (default)
1	Output enable

CCS02	CCS01	CCS00	PCLBUZ0 pin output clock selection					
			f _{MAIN} (MHz)					
				1.25	2.5	5	10	20
0	0	0	f _{MAIN}	1.25 MHz	2.5 MHz	5 MHz ^{Note}	10 MHz ^{Note}	Setting prohibited ^{Note}
0	0	1	f _{MAIN} /2	625 kHz	1.25 MHz	2.5 MHz	5 MHz ^{Note}	10 MHz ^{Note}
0	1	0	f _{MAIN} /2 ²	312.5 kHz	625 kHz	1.25 MHz	2.5 MHz	5 MHz ^{Note}
0	1	1	f _{MAIN} /2 ³	156.3 kHz	312.5 kHz	625 kHz	1.25 MHz	2.5 MHz
1	0	0	f _{MAIN} /2 ⁴	78.1 kHz	156.3 kHz	312.5 kHz	625 kHz	1.25 MHz
1	0	1	f _{MAIN} /2 ¹¹	610 Hz	1.22 kHz	2.44 kHz	4.88 kHz	9.77 kHz
1	1	0	f _{MAIN} /2 ¹²	305 Hz	610 Hz	1.22 kHz	2.44 kHz	4.88 kHz
1	1	1	f _{MAIN} /2 ¹³	153 Hz	305 Hz	610 Hz	1.22 kHz	2.44 kHz

Note The available output clock varies depending on the operating voltage range. For detail, see **23.4 AC Characteristics**.

- Cautions**
1. Change the output clock after disabling the PCLBUZ0 pin output (PCLOE0 = 0).
 2. To shift to STOP mode, execute the STOP instruction when at least 1.5 cycles of the clock used for the PCLBUZ0 pin output have elapsed after the PCLBUZ0 pin output has been disabled.

Remark f_{MAIN}: Main system clock frequency

8.3.2 Registers controlling port functions of clock output/buzzer output pin

Using the port pin for the clock output/buzzer output controller requires setting of the registers that control the port function multiplexed on the clock output/buzzer output pin (PCLBUZ0 pin): (port mode registers 0, 4 (PM0, PM4), port registers 0, 4 (P0, P4), port mode control register 0 (PMC0), peripheral I/O redirection register (PIOR)).

For details on the registers that control the port functions, see **4.3.1 Port mode registers 0, 1, 4 (PM0, PM1, PM4)**, **4.3.2 Port registers 0, 1, 4, 12, 13 (P0, P1, P4, P12, P13)**, **4.3.6 Port mode control registers 0, 1 (PMC0, PMC1)**, and **4.3.7 Peripheral I/O redirection register (PIOR)**.

When you intend to use the PCLBUZ0 pin, set the corresponding bits in the port mode register 0 (PM0) and port mode control register 0 (PMC0) to 0 and the corresponding bits in the port register 0 (P0) and port output mode register 0 (POM0) to 1.

For details, see **4.5.3 Example of register settings for port and alternate functions used**.

PCLBUZ0 pin output can be assigned to pin P40 by setting the PIOR bit in the peripheral I/O redirection register (PIOR) to 1.

8.4 Operations of Clock Output/Buzzer Output Controller

One pin can be used to output a clock or buzzer sound.

The PCLBUZ0 pin outputs a clock/buzzer selected by the clock output select register 0 (CKS0).

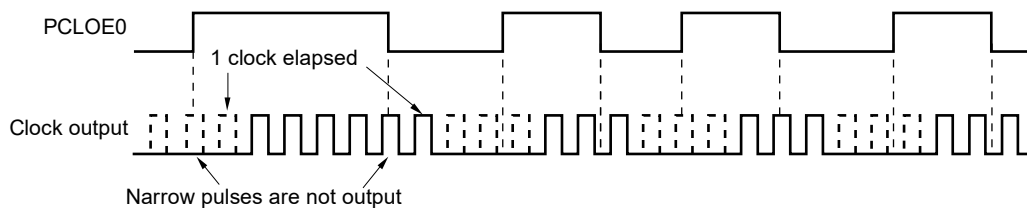
8.4.1 Operation as output pin

The PCLBUZ0 pin is output as the following procedure.

- <1> Set the bits in the port mode register (PM0/PM4), port register (P0/P4), and port mode control register 0 (PMC0) that correspond to the pin on which the PCLBUZ0 function is multiplexed to 0.
- <2> Select the output frequency with bits 0 to 2 (CCS00 to CCS02) of the clock output select register (CKS0) of the PCLBUZ0 pin (output in disabled).
- <3> Set bit 7 (PCLOE0) of the CKS0 register to 1 to enable clock/buzzer output.

Remark The controller used for outputting the clock starts or stops outputting the clock one clock after enabling or disabling clock output (PCLOE0 bit) is switched. At this time, pulses with a narrow width are not output. Figure 8-3 shows enabling or stopping output using the PCLOE0 bit and the timing of outputting the clock.

Figure 8-3. Timing of Clock Output from PCLBUZ0



Caution Entry to STOP mode within 1.5 clock cycles of the PCLBUZ0 pin output being disabled (PCLOE0 = 0) will shorten the width of the PCLBUZ0 pin output pulse. In such cases, only execute the STOP instruction when at least 1.5 cycles of the clock used for PCLBUZ0 output have elapsed after the PCLBUZ0 pin output has been disabled.

CHAPTER 9 WATCHDOG TIMER

9.1 Functions of Watchdog Timer

The count operation is specified by the user option byte (000C0H) in the watchdog timer.

The watchdog timer operates on the low-speed on-chip oscillator clock.

The watchdog timer is used to detect an inadvertent program loop. If a program loop is detected, an internal reset signal is generated.

Program loop is detected in the following cases.

- If the watchdog timer counter overflows
- If a 1-bit manipulation instruction is executed on the watchdog timer enable register (WDTE)
- If data other than "ACH" is written to the WDTE register

When a reset occurs due to the watchdog timer, bit 4 (WDTRF) of the reset control flag register (RESF) is set to 1. For details of the RESF register, see **CHAPTER 16 RESET FUNCTION**.

When 75% of the overflow time is reached, an interval interrupt is generated.

9.2 Configuration of Watchdog Timer

The watchdog timer includes the following hardware.

Table 9-1. Configuration of Watchdog Timer

Item	Configuration
Control register	Watchdog timer enable register (WDTE)

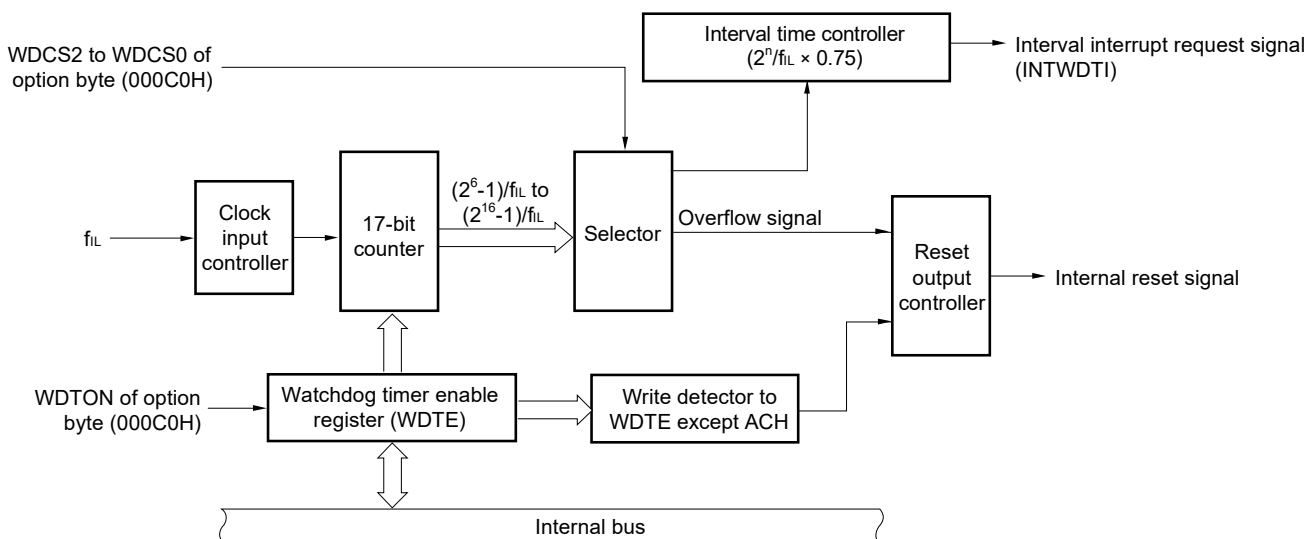
How the counter operation is controlled and overflow time are set by the option byte.

Table 9-2. Setting of Option Bytes and Watchdog Timer

Setting of Watchdog Timer	Option Byte (000C0H)
Controlling counter operation of watchdog timer	Bit 4 (WDTON)
Overflow time of watchdog timer	Bits 3 to 1 (WDCS2 to WDCS0)
Controlling counter operation of watchdog timer (in HALT/STOP mode)	Bit 0 (WDSTBYON)

Remark For the option byte, see **CHAPTER 18 OPTION BYTE**.

Figure 9-1. Block Diagram of Watchdog Timer



9.3 Register Controlling Watchdog Timer

The watchdog timer is controlled by the watchdog timer enable register (WDTE).

9.3.1 Watchdog timer enable register (WDTE)

Writing "ACH" to the WDTE register clears the watchdog timer counter and starts counting again.

This register can be set by an 8-bit memory manipulation instruction.

Reset signal generation sets this register to 1AH or 9AH^{Note}.

Figure 9-2. Format of Watchdog Timer Enable Register (WDTE)

Address: FFFABH After reset: 1AH/9AH^{Note} R/W

Symbol	7	6	5	4	3	2	1	0
WDTE								

Note The WDTE register reset value differs depending on the WDTON bit setting value of the option byte (000C0H). To operate watchdog timer, set the WDTON bit to 1.

WDTON Bit Setting Value	WDTE Register Reset Value
0 (watchdog timer count operation disabled)	1AH
1 (watchdog timer count operation enabled)	9AH

- Cautions**
1. If a value other than "ACH" is written to the WDTE register, an internal reset signal is generated.
 2. If a 1-bit memory manipulation instruction is executed for the WDTE register, an internal reset signal is generated.
 3. The value read from the WDTE register is 1AH/9AH (this differs from the written value (ACH)).

9.4 Operation of Watchdog Timer

9.4.1 Controlling operation of watchdog timer

<1> When the watchdog timer is used, its operation is specified by the option byte (000C0H).

- Enable counting operation of the watchdog timer by setting bit 4 (WDTON) of the option byte (000C0H) to 1 (the counter starts operating after a reset release) (for details, see **CHAPTER 18**).

WDTON	Watchdog Timer Counter
0	Counter operation disabled (counting stopped after reset)
1	Counter operation enabled (counting started after reset)

- Set an overflow time by using bits 3 to 1 (WDCS2 to WDCS0) of the option byte (000C0H) (for details, see **9.4.2** and **CHAPTER 18**).

<2> After a reset release, the watchdog timer starts counting.

<3> By writing "ACH" to the watchdog timer enable register (WDTE) after the watchdog timer starts counting and before the overflow time set by the option byte, the watchdog timer is cleared and starts counting again.

<4> If the overflow time expires without "ACH" written to the WDTE register, an internal reset signal is generated.

An internal reset signal is generated in the following cases.

- If a 1-bit manipulation instruction is executed on the WDTE register
- If data other than "ACH" is written to the WDTE register

- Cautions**
1. If the watchdog timer is cleared by writing "ACH" to the WDTE register, the actual overflow time may become shorter than the overflow time set by the option byte by up to one clock cycle of f_{IL} .
 2. The watchdog timer can be cleared immediately before the count value overflows.
 3. The operation of the watchdog timer in the HALT and STOP modes differs as follows depending on the set value of bit 0 (WDSTBYON) of the option byte (000C0H).

WDSTBYON = 0 : Watchdog timer operation stops.

WDSTBYON = 1 : Watchdog timer operation continues.

If **WDSTBYON = 0**, the watchdog timer resumes counting after the HALT or STOP mode is released. At this time, the counter is cleared to 0 and counting starts.

4. Setting **WDTON = 0** and **WDSTBON = 1** is prohibited.

9.4.2 Setting time of watchdog timer

Set the overflow time and interval interrupt time of the watchdog timer by using bits 3 to 1 (WDCS2 to WDSC0) of the option byte (000C0H).

If an overflow occurs, an internal reset signal is generated. The present count is cleared and the watchdog timer starts counting again by writing "ACH" to the watchdog timer enable register (WDTE) before the overflow time.

When 75% of the overflow time is reached, an interval interrupt is generated.

The following overflow time and interval interrupt time can be set.

Table 9-3. Setting of Overflow Time and Interval Interrupt Time

WDSC2	WDSC1	WDSC0	Overflow Time of Watchdog Timer (When $f_{IL} = 17.25$ kHz (max.))	Interval Interrupt Time of Watchdog Timer (When $f_{IL} = 17.25$ kHz (max.))
0	0	0	$(2^6 - 1)/f_{IL}$ (3.65 ms)	$2^6/f_{IL} \times 0.75$ (2.78 ms)
0	0	1	$(2^7 - 1)/f_{IL}$ (7.36 ms)	$2^7/f_{IL} \times 0.75$ (5.56 ms)
0	1	0	$(2^8 - 1)/f_{IL}$ (14.7 ms)	$2^8/f_{IL} \times 0.75$ (11.1 ms)
0	1	1	$(2^9 - 1)/f_{IL}$ (29.6 ms)	$2^9/f_{IL} \times 0.75$ (22.2 ms)
1	0	0	$(2^{11} - 1)/f_{IL}$ (118 ms)	$2^{11}/f_{IL} \times 0.75$ (89.0 ms)
1	0	1	$(2^{13} - 1)/f_{IL}$ (474 ms)	$2^{13}/f_{IL} \times 0.75$ (356 ms)
1	1	0	$(2^{14} - 1)/f_{IL}$ (949 ms)	$2^{14}/f_{IL} \times 0.75$ (712 ms)
1	1	1	$(2^{16} - 1)/f_{IL}$ (3799 ms)	$2^{16}/f_{IL} \times 0.75$ (2849 ms)

- Cautions**
1. The watchdog timer continues counting even after INTWDTI is generated (until ACH is written to the watchdog timer enable register (WDTE)). If ACH is not written to the WDTE register before the overflow time, an internal reset signal is generated.
 2. The watchdog timer always generates an interval interrupt when the specified time is reached unless this is specifically disabled. If the interval interrupt from the watchdog timer is not to be used, be sure to disable the interrupt by setting the WDTIMK bit to 1.

Remark f_{IL} : Low-speed on-chip oscillator clock frequency

CHAPTER 10 A/D CONVERTER

The A/D converter has eight analog input channels.

10.1 Function of A/D Converter

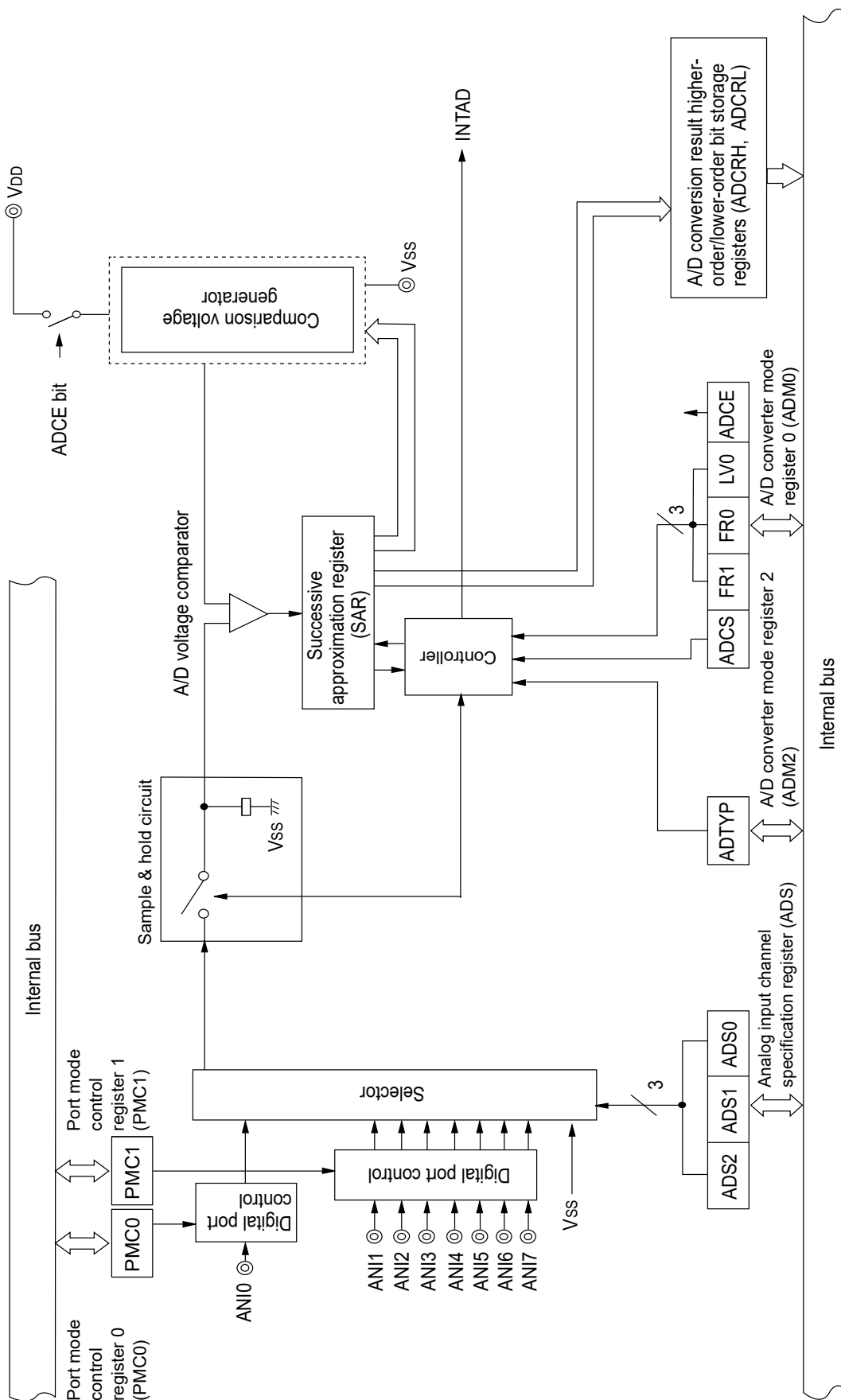
The A/D converter is used to convert analog input signals into digital values, and is configured to control up to 8 channels of A/D converter analog inputs. Ten-bit or eight-bit resolution can also be selected by using the ADTYP bit of A/D converter mode register 2 (ADM2).

The A/D converter has the following function.

- 10-bit/8-bit resolution A/D conversion

Following the selection of one analog input channel from among ANI0 to ANI7, software initiates A/D conversion with 10-bit or 8-bit resolution. An A/D conversion end interrupt request signal (INTAD) is generated on completion of A/D conversion. The range of operating voltage for the A/D converter is from 2.4 to 5.5 V.

Figure 10-1. Block Diagram of A/D Converter



10.2 Configuration of A/D Converter

The A/D converter includes the following hardware.

(1) ANI0 to ANI7 pins

These are the analog input pins of the 7 channels of the A/D converter. They input analog signals to be converted into digital signals. Pins other than the one selected as the analog input pin can be used as I/O port pins.

(2) Sample & hold circuit

The sample & hold circuit samples each of the analog input voltages sequentially sent from the input circuit, and sends them to the A/D voltage comparator. This circuit also holds the sampled analog input voltage during A/D conversion.

(3) A/D voltage comparator

This A/D voltage comparator compares the voltage generated from the voltage tap of the comparison voltage generator with the analog input voltage. If the analog input voltage is found to be greater than the reference voltage ($1/2 V_{DD}$) as a result of the comparison, the most significant bit (MSB) of the successive approximation register (SAR) is set. If the analog input voltage is less than the reference voltage ($1/2 V_{DD}$), the MSB bit of the SAR is reset. After that, bit 8 of the SAR register is automatically set, and the next comparison is made. The voltage tap of the comparison voltage generator is selected by the value of bit 9, to which the result has been already set.

Bit 9 = 0: ($1/4 V_{DD}$)

Bit 9 = 1: ($3/4 V_{DD}$)

The voltage tap of the comparison voltage generator and the analog input voltage are compared and bit 8 of the SAR register is manipulated according to the result of the comparison.

Analog input voltage \geq Voltage tap of comparison voltage generator: Bit 8 = 1

Analog input voltage \leq Voltage tap of comparison voltage generator: Bit 8 = 0

Comparison is continued like this to bit 0 of the SAR register.

When performing A/D conversion at a resolution of 8 bits, the comparison continues until bit 2 of the SAR register.

(4) Comparison voltage generator

The comparison voltage generator generates the comparison voltage input from an analog input pin.

(5) Successive approximation register (SAR)

The SAR register is a register that sets voltage tap data whose values from the comparison voltage generator match the voltage values of the analog input pins, 1 bit at a time starting from the most significant bit (MSB).

If data is set in the SAR register all the way to the least significant bit (LSB) (end of A/D conversion), the contents of the SAR register (conversion results) are held in the A/D conversion result higher-order bit storage register (ADCRH) and the A/D conversion result lower-order bit storage register (ADCRL). When A/D conversion operations have ended, an A/D conversion end interrupt request signal (INTAD) is generated.

(6) A/D conversion result higher-order bit storage register (ADCRH)

ADCRH is an 8-bit register which holds the result of A/D conversion. The conversion result is loaded from the successive approximation register, and the eight higher-order bits of the A/D conversion result are stored in ADCRH.

The two lower-order bits of the result of 10-bit A/D conversion are stored in ADCRL.

(7) A/D conversion result lower-order bit storage register (ADCRL)

ADCRL is an 8-bit register which holds the two lower-order bits (ADCR1, ADCR0) of the result of 10-bit A/D conversion. The six lower-order bits of this register are fixed to 0.

(8) Controller

This circuit controls the conversion time of an input analog signal that is to be converted into a digital signal, as well as starting and stopping of the conversion operation. When A/D conversion has been completed, this controller generates an A/D conversion end interrupt request signal (INTAD).

10.3 Registers Used in A/D Converter

The A/D converter is controlled by the following registers.

- Peripheral enable register 0 (PER0)
- A/D converter mode register 0 (ADM0)
- A/D converter mode register 2 (ADM2)
- A/D conversion result higher-order bit storage register (ADCRH)
- A/D conversion result lower-order bit storage register (ADCRL)
- Analog input channel specification register (ADS)
- Port mode registers 0, 1 (PM0, PM1)
- Port mode control registers 0, 1 (PMC0, PMC1)

10.3.1 Peripheral enable register 0 (PER0)

This register is used to enable or disable supplying the clock to the peripheral hardware. Clock supply to a hardware macro that is not used is stopped in order to reduce the power consumption and noise.

When the A/D converter is used, be sure to set bit 5 (ADCEN) of this register to 1.

The PER0 register can be set by a 1-bit or 8-bit memory manipulation instruction.

Reset signal generation clears this register to 00H.

Figure 10-2. Format of Peripheral Enable Register 0 (PER0)

Address: F00F0H After reset: 00H R/W

Symbol	<7>	<6>	<5>	4	3	<2>	1	<0>
PER0	TMKAEN	RTOEN ^{Note}	ADCEN	0	0	SAU0EN	0	TAU0EN

ADCEN	Control of A/D converter input clock supply
0	Stops input clock supply. <ul style="list-style-type: none"> • SFR used by the A/D converter cannot be written. • The A/D converter is in the reset status.
1	Enables input clock supply. <ul style="list-style-type: none"> • SFR used by the A/D converter can be read/written.

Note R7F0C806 and R7F0C807 products only.

Cautions 1. When setting the A/D converter, be sure to set the following registers while the ADCEN bit is set to 1 first. If ADCEN = 0, the values of the A/D converter control registers are cleared to their initial values and writing to them is ignored (except for the port mode register 0 (PM0) and the port mode control register 0 (PMC0)).

- A/D converter mode register 0 (ADM0)
- A/D converter mode register 2 (ADM2)
- A/D conversion result higher-order bit storage register (ADCRH)
- A/D conversion result lower-order bit storage register (ADCRL)
- Analog input channel specification register (ADS)

2. Be sure to clear the following bits to 0.

R7F0C806 and R7F0C807 products: Bits 1, 3, and 4

R7F0C808 and R7F0C809 products: Bits 1, 3, 4, and 6

10.3.2 A/D converter mode register 0 (ADM0)

This register sets the conversion time for analog input to be A/D converted, and starts/stops conversion.

The ADM0 register can be set by a 1-bit or 8-bit memory manipulation instruction.

Reset signal generation clears this register to 00H.

Figure 10-3. Format of A/D Converter Mode Register 0 (ADM0)

Address: FFF30H After reset: 00H R/W

Symbol	<7>	<6>	<5>	4	3	<2>	1	<0>
ADM0	ADCS	0	0	FR1 ^{Note1}	FR0 ^{Note1}	0	LV0 ^{Note1}	ADCE

ADCS	A/D conversion operation control
0	Stops conversion operation (conversion stopped/standby status)
1	Enables conversion operation (conversion operation status)
<Clear conditions> <ul style="list-style-type: none"> • 0 is written to ADCS. • The bit is automatically cleared to 0 when A/D conversion ends. <Set condition> <ul style="list-style-type: none"> • 1 is written to ADCS when the ADCE bit is 1. 	

ADCE	A/D voltage comparator operation control ^{Note2}
0	Stops A/D voltage comparator operation
1	Enables A/D voltage comparator operation

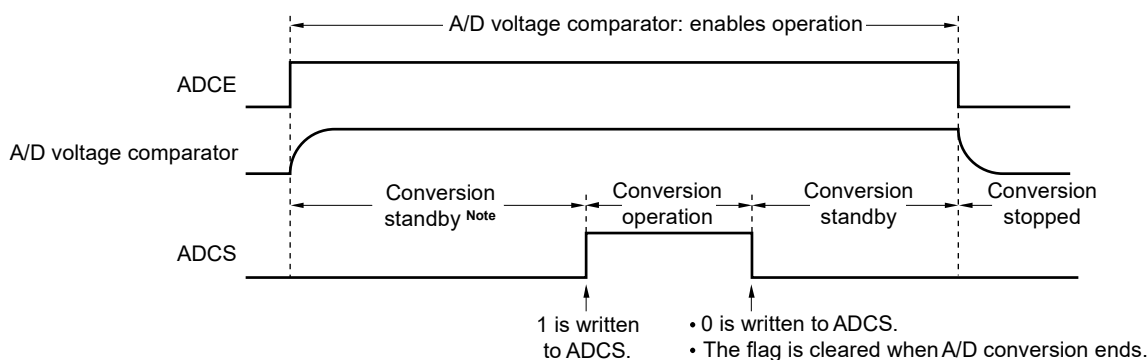
- Notes 1.** For details of the FR1, FR0, and LV0 bits and A/D conversion, see **Table 10-2 10-bit Resolution A/D Conversion Time Selection** or **Table 10-3 8-bit Resolution A/D Conversion Time Selection**.
- 2.** The operation of the A/D voltage comparator is controlled by the ADCS and ADCE bits, and it takes 0.1 μ s from the start of operation for the operation to stabilize. Therefore, when the ADCS bit is set to 1 after 0.1 μ s or more has elapsed from the time ADCE bit is set to 1, the conversion result at that time has priority over the first conversion result. If the ADCS bit is set to 1 to perform A/D conversion without waiting for at least 0.1 μ s, ignore data of the conversion.

- Cautions 1.** Rewrite the values of the FR1, FR0, and LV0 bits in the conversion standby status (ADCS = 0, ADCE = 1) or in the conversion stopped status (ADCS = 0, ADCE = 0). Rewriting the values of the FR1, FR0, and LV0 bits, and ADCS bits by an 8-bit manipulation instruction at the same time is prohibited.
- Setting ADCS = 1 and ADCE = 0 is prohibited. When 1 is written to the ADCS bit in the conversion stopped status (ADCE = 0, ADCS = 0), the ADCS bit is not set to 1.
 - Changing the ADCE and ADCS bits from 0 to 1 at the same time by using an 8-bit manipulation instruction is prohibited. Be sure to set these bits in the order described in 10.7 A/D Converter Setup Flowchart.
 - Be sure to clear bits 2, 5, and 6 to "0".
 - Setting the ADCS bit to 1 during conversion (ADCS = 1) is prohibited. When restarting the conversion for the same channel is required, stop conversion once (ADCS = 0), and then restart the A/D conversion (ADCS = 1).

Table 10-1. Settings of ADCS and ADCE Bits

ADCS	ADCE	A/D Conversion Operation
0	0	Conversion stopped state
0	1	Conversion standby state
1	0	Setting prohibited
1	1	Conversion-in-progress state

Figure 10-4. Timing Chart When A/D Voltage Comparator Is Used



Note It requires at least 0.1 μs to stabilize the internal circuit until the A/D conversion operation is started (ADCS = 1) after the operation of the A/D voltage comparator is enabled (ADCE = 1). If the ADCS bit is set to 1 without waiting for at least 0.1 μs, ignore data of the first conversion.

Table 10-2. 10-bit Resolution A/D Conversion Time Selection

A/D Converter Mode Register 0 (ADM0)			Conversion Clock	Number of Conversion Clock	Conversion Time	Conversion Time Selection (μs)								
FR1	FR0	LV0 ²				f _{CLK} = 1.25 MHz	f _{CLK} = 2.5 MHz	f _{CLK} = 5 MHz	f _{CLK} = 10 MHz	f _{CLK} = 20 MHz ^{Note}				
0	0	0	f _{CLK} /8	23 f _{AD} (Number of sampling clock: 9 f _{AD})	184/f _{CLK}	Setting prohibited	Setting prohibited	Setting prohibited	18.4	9.2				
	0		f _{CLK} /4								18.4	9.2	4.6	
	1		f _{CLK} /2								18.4	9.2	4.6	Setting prohibited
	1		f _{CLK}								18.4	9.2	4.6	
0	0	1 ^{Note}	f _{CLK} /8	17 f _{AD} (Number of sampling clock: 3 f _{AD})	136/f _{CLK}	Setting prohibited	Setting prohibited	Setting prohibited	13.6	6.8				
	0		f _{CLK} /4								13.6	6.8	3.4	
	1		f _{CLK} /2								13.6	6.8	3.4	Setting prohibited
	1		f _{CLK}								13.6	6.8	3.4	

Note Setting prohibited when 2.4 V ≤ V_{DD} < 2.7 V. Can be selected when 2.7 V ≤ V_{DD} ≤ 5.5 V.

Table 10-3. 8-bit Resolution A/D Conversion Time Selection

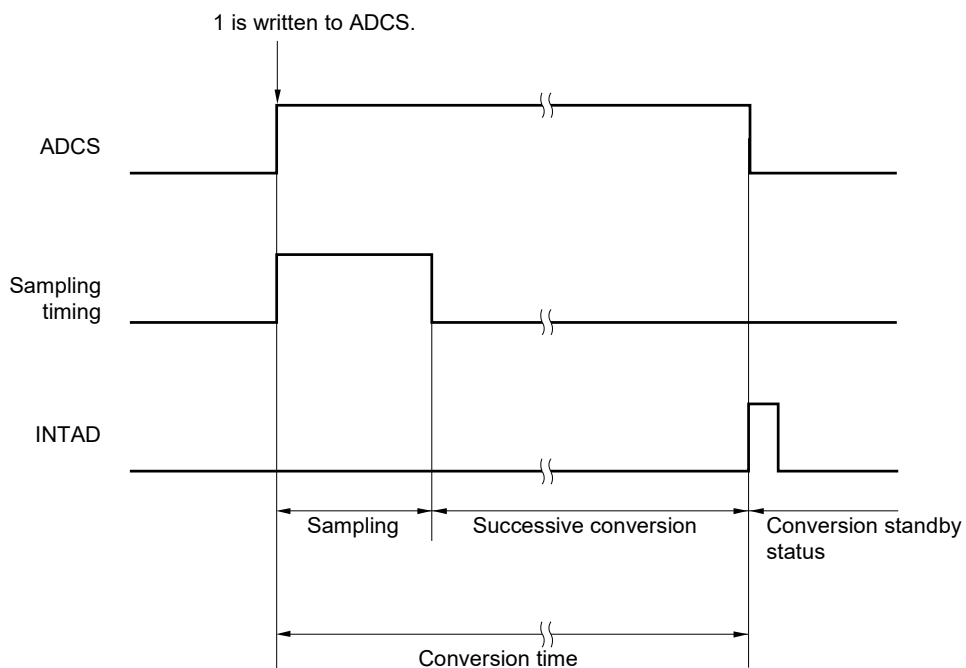
A/D Converter Mode Register 0 (ADM0)			Conversion Clock	Number of Conversion Clock	Conversion Time	Conversion Time Selection (μ s)				
FR1	FR0	LV0				$f_{CLK} = 1.25 \text{ MHz}$	$f_{CLK} = 2.5 \text{ MHz}$	$f_{CLK} = 5 \text{ MHz}$	$f_{CLK} = 10 \text{ MHz}$	$f_{CLK} = 20 \text{ MHz}^{\text{Note}}$
0	0	0	$f_{CLK}/8$	21 f_{AD} (Number of sampling clock: 9 f_{AD})	$168/f_{CLK}$	Setting prohibited	Setting prohibited	Setting prohibited	16.8	8.4
0	1		$f_{CLK}/4$		$84/f_{CLK}$	Setting prohibited	Setting prohibited	16.8	8.4	4.2
1	0		$f_{CLK}/2$		$42/f_{CLK}$	16.8	8.4	4.2	Setting prohibited	
1	1		f_{CLK}		$21/f_{CLK}$	16.8	8.4	4.2		Setting prohibited
0	0	1 ^{Note}	$f_{CLK}/8$	15 f_{AD} (Number of sampling clock: 3 f_{AD})	$120/f_{CLK}$	Setting prohibited	Setting prohibited	Setting prohibited	12.0	6.0
0	1		$f_{CLK}/4$		$60/f_{CLK}$	Setting prohibited	Setting prohibited	12.0	6.0	3.0
1	0		$f_{CLK}/2$		$30/f_{CLK}$	12.0	6.0	3.0	Setting prohibited	
1	1		f_{CLK}		$15/f_{CLK}$	12.0	6.0	3.0		Setting prohibited

Note Setting prohibited when $2.4 \text{ V} \leq V_{DD} < 2.7 \text{ V}$. Can be selected when $2.7 \text{ V} \leq V_{DD} \leq 5.5 \text{ V}$.

- Cautions**
1. The A/D conversion time must also be within the relevant range of conversion times (t_{CONV}) described in 23.6.1 A/D converter characteristics.
 2. Rewrite the values of the FR1, FR0, and LV0 bits to other than the same data in the conversion standby status (ADCS = 0, ADCE = 1) or in the conversion stopped status (ADCS = 0, ADCE = 0). Rewriting the values of the FR1, FR0, and LV0 bits, and ADCS bits by an 8-bit manipulation instruction at the same time is prohibited.
 3. The above conversion time does not include clock frequency errors. Select conversion time, taking clock frequency errors into consideration.

Remark f_{CLK} : CPU/peripheral hardware clock frequency

Figure 10-5. A/D Converter Sampling and A/D Conversion Timing



10.3.3 A/D converter mode register 2 (ADM2)

This register is used to set the resolution of the A/D converter.

The ADM2 register can be set by a 1-bit or 8-bit memory manipulation instruction.

Reset signal generation clears this register to 00H.

Figure 10-6. Format of A/D Converter Mode Register 2 (ADM2)

Address: F0010H After reset: 00H R/W

Symbol	7	6	5	4	3	2	1	<0>
ADM2	0	0	0	0	0	0	0	ADTYP
ADTYP	Resolution of A/D conversion							
0	10-bit resolution							
1	8-bit resolution							

Caution Rewrite the value of the ADM2 register in the conversion stopped status (while the ADCS and ADCE bits are set to 0).

10.3.4 A/D conversion result higher-order bit storage register (ADCRH)

ADCRH is an 8-bit register which holds the result of A/D conversion. The conversion result is loaded from the successive approximation register after A/D conversion ends. When 10-bit resolution is selected, the eight higher-order bits of the A/D conversion result are stored in this register and the two lower-order bits of the A/D conversion result are stored in ADCRL.

The ADCRH register can be read by an 8-bit memory manipulation instruction.

Reset signal generation clears this register to 00H.

Figure 10-7. Format of A/D Conversion Result Higher-Order Bit Storage Register (ADCRH)

Address: FFF1FH After reset: 00H R

Symbol	7	6	5	4	3	2	1	0
ADCRH	ADCR9	ADCR8	ADCR7	ADCR6	ADCR5	ADCR4	ADCR3	ADCR2

Caution When writing to the A/D converter mode register 0 (ADM0) and the analog input channel specification register (ADS), the contents of the ADCRH/ADCRL register may become undefined. Read the conversion result following conversion completion before writing to the ADM0 and ADS registers. Using timing other than the above may cause an incorrect conversion result to be read.

10.3.5 A/D conversion result lower-order bit storage register (ADCRL)

This register is an 8-bit register that holds the two lower-order bits of the result of 10-bit A/D conversion. The six lower-order bits are fixed to 0.

The ADCRL register can be read by an 8-bit memory manipulation instruction.

Reset signal generation clears this register to 00H.

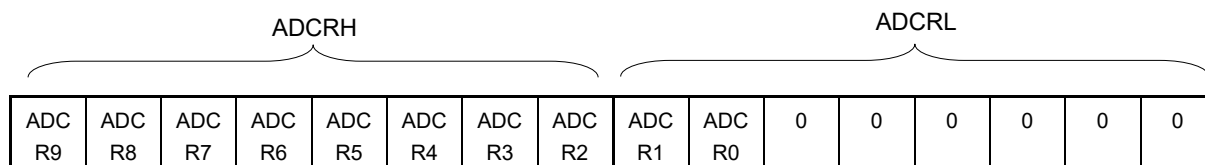
Figure 10-8. Format of A/D Conversion Result Lower-Order Bit Storage Register (ADCRL)

Address: FFF1EH After reset: 00H R

Symbol	7	6	5	4	3	2	1	0
ADCRL	ADCR1	ADCR0	0	0	0	0	0	0

Figure 10-9 shows the state after the result of 10-bit resolution A/D conversion has been stored. Each time A/D conversion ends, the conversion result is loaded from the successive approximation register (SAR). The eight higher-order bits of the conversion result are stored in ADCRH and the two lower-order bits of the result are stored in ADCRL.

Figure 10-9. The State After Storage of the Result of 10-bit Resolution A/D Conversion



- Cautions**
1. When writing to the A/D converter mode register 0 (ADM0) and analog input channel specification register (ADS), the contents of the ADCRH/ADCRL registers may become undefined. Read the conversion result following conversion completion before writing to the ADM0 and ADS registers. Using timing other than the above may cause an incorrect conversion result to be read.
 2. When the ADCRL register is read while 8-bit resolution A/D conversion is selected (when the ADTYP bit of A/D converter mode register 2 (ADM2) is 1), 0 is read from the two higher-order bits (ADCR1 and ADCR0). Note that, when ADCRL register is read before completion of A/D conversion while 8-bit resolution A/D conversion is selected, 0 may not be read from the two higher-order bits (ADCR1, ADCR0).

10.3.6 Analog input channel specification register (ADS)

This register specifies the input channel of the analog voltage to be A/D converted.

The ADS register can be set by a 1-bit or 8-bit memory manipulation instruction.

Reset signal generation clears this register to 00H.

Figure 10-10. Format of Analog Input Channel Specification Register (ADS)

Address: FFF31H After reset: 00H R/W

Symbol	7	6	5	4	3	2	1	0
ADS	0	0	0	0	0	ADS2	ADS1	ADS0

ADS2	ADS1	ADS0	Target of A/D conversion	Analog input pin
0	0	0	ANI0	P07/ANI0 pin
0	0	1	ANI1	P10/ANI1 pin
0	1	0	ANI2	P11/ANI2 pin
0	1	1	ANI3	P12/ANI3 pin
1	0	0	ANI4	P13/ANI4 pin
1	0	1	ANI5	P14/ANI5 pin
1	1	0	ANI6	P15/ANI6 pin
1	1	1	ANI7	P16/ANI7 pin

- Cautions 1.** Rewrite the ADS register in the conversion standby status (ADCS = 0, ADCE = 1) or in the conversion stopped status (ADCS = 0, ADCE = 0).
- 2.** Set the port used as an analog input port to the input mode by using the port mode registers 0, 1 (PM0, PM1) and to the analog input by using the port mode control registers 0, 1 (PMC0, PMC1). Do not set the pin that is set by port mode control registers 0, 1 (PMC0, PMC1) as digital I/O by the ADS register.
- 3.** Be sure to clear bits 3 to 7 to "0".

10.3.7 Registers controlling port function of analog input pins

Set up the registers for controlling the functions of the ports shared with the analog input pins of the A/D converter (port mode registers 0, 1 (PM0, PM1) and port mode control registers 0, 1 (PMC0, PMC1)). For details, see **4.3.1 Port mode registers 0, 1, 4 (PM0, PM1, PM4)**, and **4.3.6 Port mode control registers 0, 1 (PMC0, PMC1)**.

For an example of settings when using a port pin for analog input of the A/D converter, see **4.5.3 Example of register settings for port and alternate functions used**.

When using the ANI0 to ANI7 pins for analog input of the A/D converter, set the bits in the port mode registers 0, 1 (PM0, PM1) and port mode control registers 0, 1 (PMC0, PMC1) corresponding to each port to 1.

10.4 A/D Converter Conversion Operations

The A/D converter conversion operations are described below.

- <1> The voltage input to the selected analog input channel is sampled by the sample & hold circuit.
- <2> When sampling has been done for a certain time, the sample & hold circuit is placed in the hold state and the sampled voltage is held until the A/D conversion operation has ended.
- <3> Bit 9 of the successive approximation register (SAR) is set. The series resistor string voltage tap is set to $(1/2) V_{DD}$ by the tap selector.
- <4> The voltage difference between the series resistor string voltage tap and sampled voltage is compared by the voltage comparator. If the analog input is greater than $(1/2) V_{DD}$, the MSB bit of the SAR register remains set to 1. If the analog input is smaller than $(1/2) V_{DD}$, the MSB bit is reset to 0.
- <5> Next, bit 8 of the SAR register is automatically set to 1, and the operation proceeds to the next comparison. The series resistor string voltage tap is selected according to the preset value of bit 9, as described below.

- Bit 9 = 1: $(3/4) V_{DD}$
- Bit 9 = 0: $(1/4) V_{DD}$

The voltage tap and sampled voltage are compared and bit 8 of the SAR register is manipulated as follows.

- Sampled voltage \geq Voltage tap: Bit 8 = 1
- Sampled voltage $<$ Voltage tap: Bit 8 = 0

- <6> Comparison is continued in this way up to bit 0 of the SAR register.
- <7> Upon completion of the comparison of 10 bits, an effective digital result value remains in the SAR register, and the result value is transferred to the A/D conversion result register (ADCRH, ADCRL) and then latched.

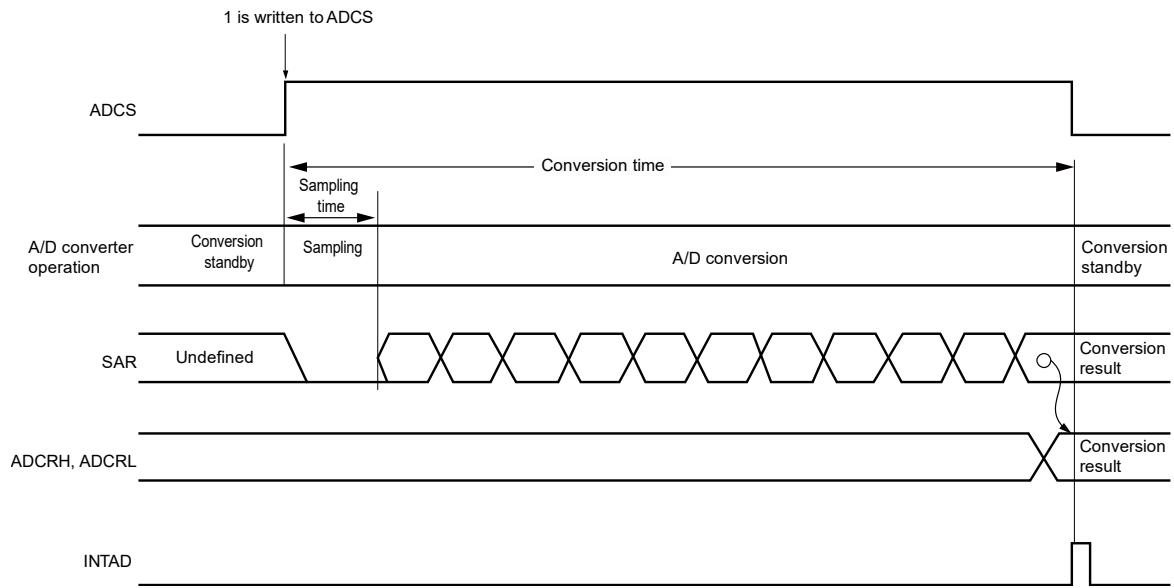
At the same time, the A/D conversion end interrupt request (INTAD) is generated.

After A/D conversion ends, the ADCS bit is automatically cleared to 0, and the system enters the A/D conversion standby status.

Remark Two types of the A/D conversion result registers are available.

- ADCRH register (8 bits): Store eight higher-order bits of the result of 10-bit resolution A/D conversion or the result of 8-bit resolution A/D conversion.
- ADCRL register (2 bits): Store two lower-order bits of the result of 10-bit resolution A/D conversion.

Figure 10-11. Conversion Operation of A/D Converter



A/D conversion is performed once when the bit 7 (ADCS) of the A/D converter mode register 0 (ADM0) is set to 1 by software. The ADCS bit is automatically cleared to 0 after A/D conversion ends.

Reset signal generation clears the A/D conversion result register (ADCRH, ADCRL) to 00H.

10.5 Input Voltage and Conversion Results

The relationship between the analog input voltage input to the analog input pins (ANI0 to ANI7) and the theoretical A/D conversion result (stored in the A/D conversion result register (ADCR = ADCRH + ADCRL)) is shown by the following expression.

$$SAR = \text{INT} \left(\frac{V_{AIN}}{V_{DD}} \times 1024 + 0.5 \right)$$

$$ADCR = SAR \times 64$$

or

$$\left(\frac{ADCR}{64} - 0.5 \right) \times \frac{V_{DD}}{1024} \leq V_{AIN} < \left(\frac{ADCR}{64} + 0.5 \right) \times \frac{V_{DD}}{1024}$$

where, INT (): Function which returns integer part of value in parentheses

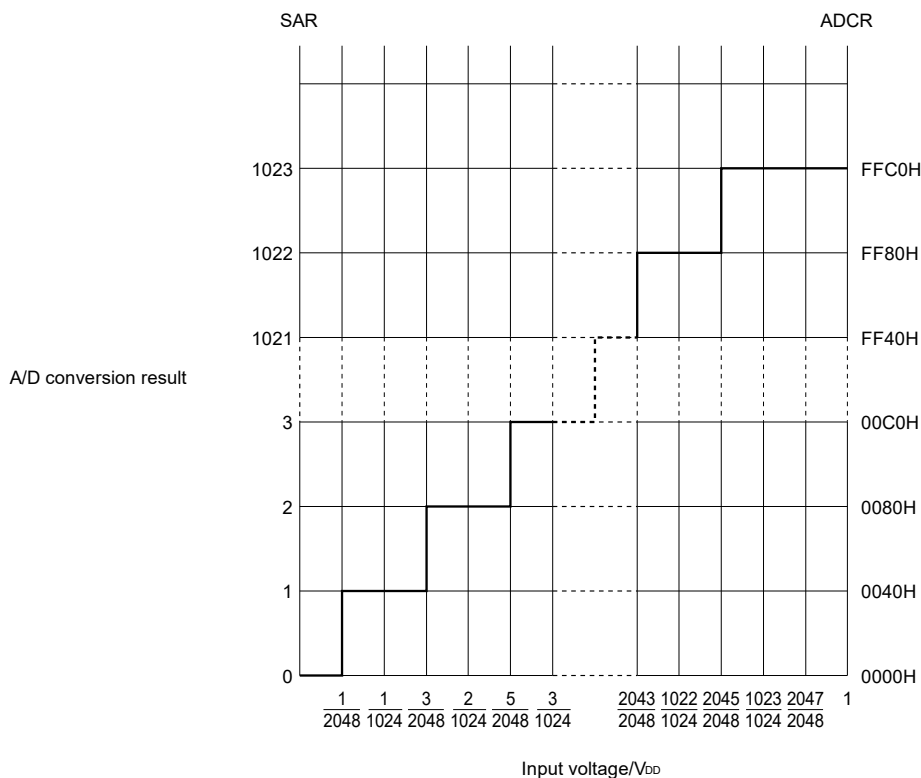
V_{AIN}: Analog input voltage

ADCR: A/D conversion result register (ADCRH + ADCRL) value

SAR: Successive approximation register

Figure 10-12 shows the relationship between the analog input voltage and the A/D conversion result.

Figure 10-12. Relationship Between Analog Input Voltage and A/D Conversion Result

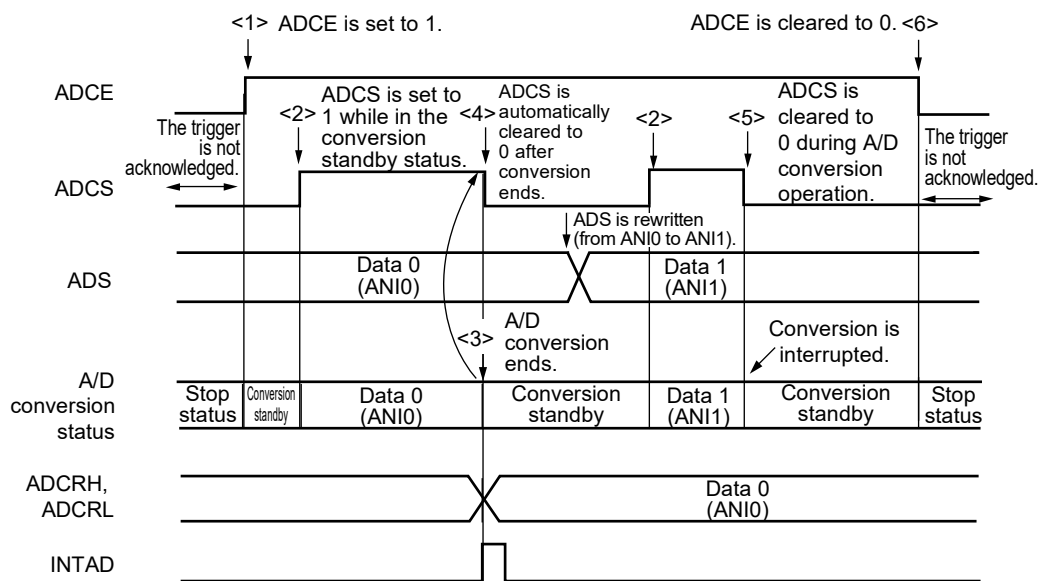


10.6 A/D Converter Operation Modes

The operation of the A/D converter is described below. In addition, the setting procedure is described in **10.7 A/D Converter Setup Flowchart**.

- <1> In the conversion stop status, the ADCE bit of A/D converter mode register 0 (ADM0) is set to 1, and the system enters the conversion standby status.
- <2> After the software counts up to the stabilization wait time (0.1 μs), the ADCS bit of the ADM0 register is set to 1 to start the A/D conversion of the analog input specified by the analog input channel specification register (ADS).
- <3> When A/D conversion ends, the conversion result is stored in the A/D conversion result register (ADCRH, ADCRL), and the A/D conversion end interrupt request signal (INTAD) is generated.
- <4> After A/D conversion ends, the ADCS bit is automatically cleared to 0, and the system enters the conversion standby status.
- <5> When ADCS is cleared to 0 during conversion operation, the current A/D conversion is interrupted, and the system enters the conversion standby status.
- <6> When ADCE is cleared to 0 while in the A/D conversion standby status, the A/D converter enters the conversion stop status. Setting ADCS = 1 and ADCE = 0 is prohibited. Specifying 1 for ADCS in the conversion stopped status (ADCS = 0, ADCE = 0) is ignored and A/D conversion does not start.

Figure 10-13. Example of Operation Timing

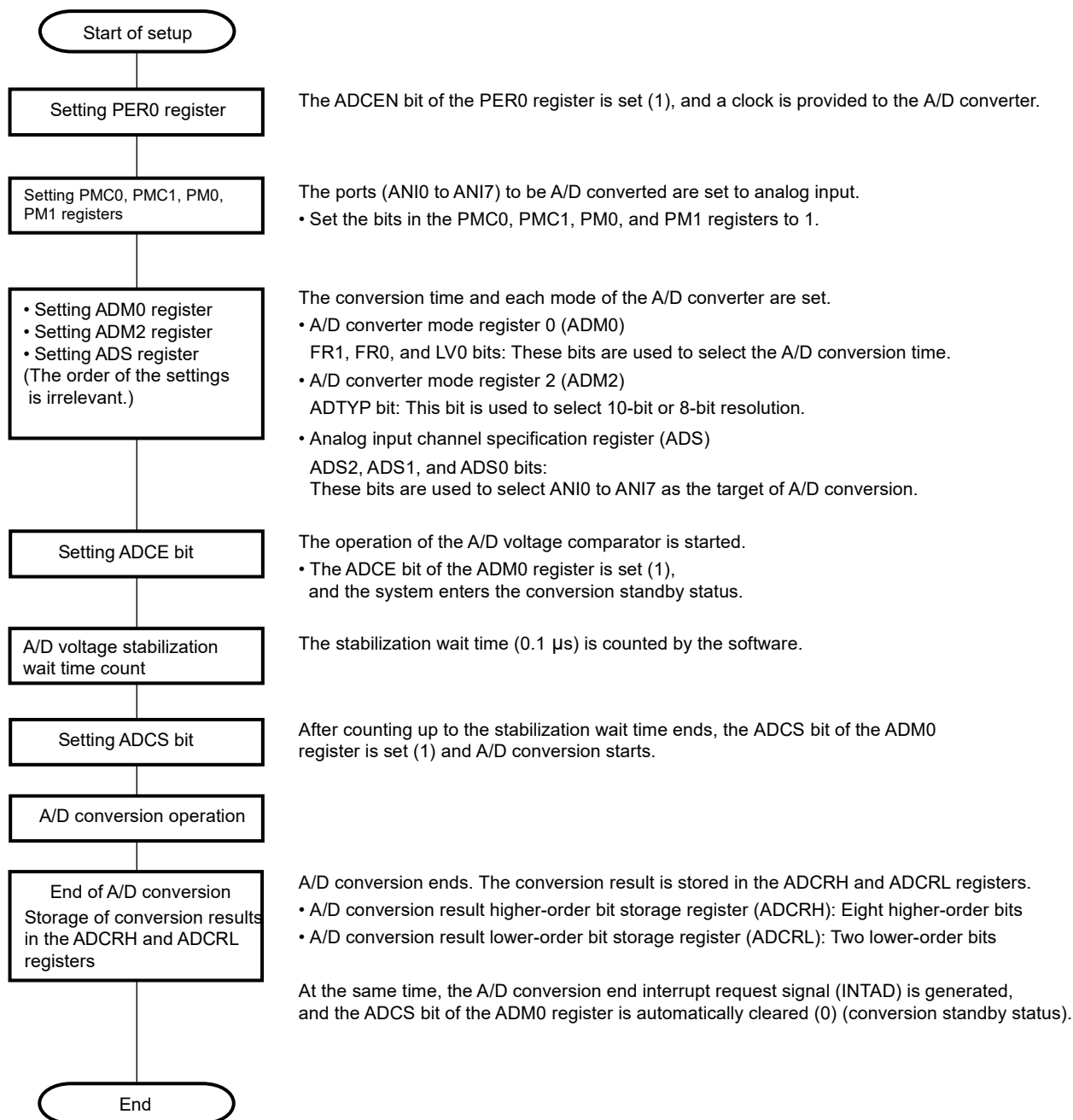


10.7 A/D Converter Setup Flowchart

The A/D converter setup flowchart is described below.

10.7.1 Setting up A/D conversion of voltages on ANI0 to ANI7

Figure 10-14. Setting Up A/D Conversion of Voltages on ANI0 to ANI7



10.8 How to Read A/D Converter Characteristics Table

Here, special terms unique to the A/D converter are explained.

10.8.1 Resolution

This is the minimum analog input voltage that can be identified. That is, the percentage of the analog input voltage per bit of digital output is called 1LSB (Least Significant Bit). The percentage of 1LSB with respect to the full scale is expressed by %FSR (Full Scale Range).

1LSB is as follows when the resolution is 10 bits.

$$\begin{aligned} 1\text{LSB} &= 1/2^{10} = 1/1024 \\ &= 0.098\%\text{FSR} \end{aligned}$$

Accuracy has no relation to resolution, but is determined by overall error.

10.8.2 Overall error

This shows the maximum error value between the actual measured value and the theoretical value.

Zero-scale error, full-scale error, integral linearity error, and differential linearity errors that are combinations of these express the overall error.

Note that the quantization error is not included in the overall error in the characteristics table.

10.8.3 Quantization error

When analog values are converted to digital values, a $\pm 1/2\text{LSB}$ error naturally occurs. In an A/D converter, an analog input voltage in a range of $\pm 1/2\text{LSB}$ is converted to the same digital code, so a quantization error cannot be avoided.

Note that the quantization error is not included in the overall error, zero-scale error, full-scale error, integral linearity error, and differential linearity error in the characteristics table.

Figure 10-15. Overall Error

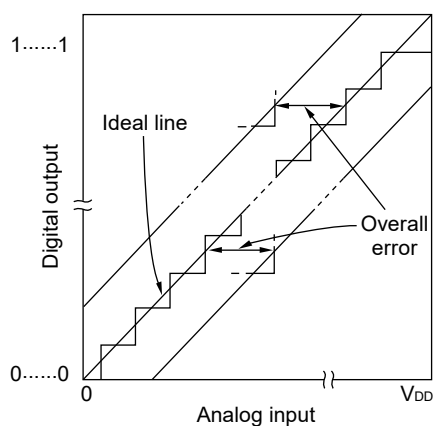
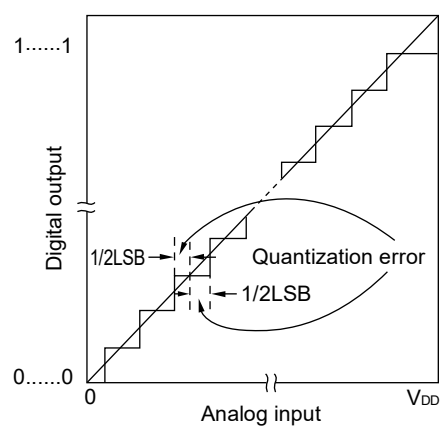


Figure 10-16. Quantization Error



10.8.4 Zero-scale error

This shows the difference between the actual measurement value of the analog input voltage and the theoretical value (1/2LSB) when the digital output changes from 0.....000 to 0.....001.

If the actual measurement value is greater than the theoretical value, it shows the difference between the actual measurement value of the analog input voltage and the theoretical value (3/2LSB) when the digital output changes from 0.....001 to 0.....010.

10.8.5 Full-scale error

This shows the difference between the actual measurement value of the analog input voltage and the theoretical value (full-scale – 3/2LSB) when the digital output changes from 1.....110 to 1.....111.

10.8.6 Integral linearity error

This shows the degree to which the conversion characteristics deviate from the ideal linear relationship. It expresses the maximum value of the difference between the actual measurement value and the ideal straight line when the zero-scale error and full-scale error are 0.

10.8.7 Differential linearity error

While the ideal width of code output is 1LSB, this indicates the difference between the actual measurement value and the ideal value.

Figure 10-17. Zero-Scale Error

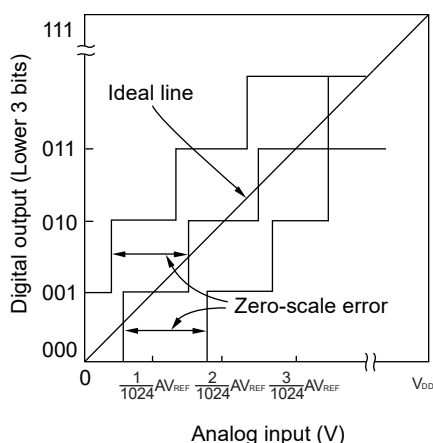


Figure 10-18. Full-Scale Error

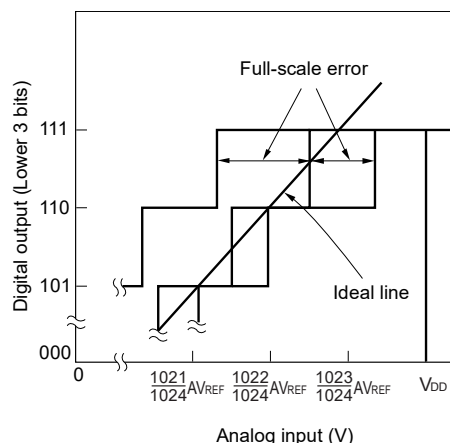


Figure 10-19. Integral Linearity Error

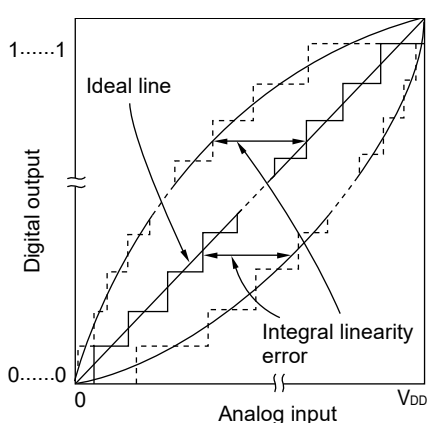
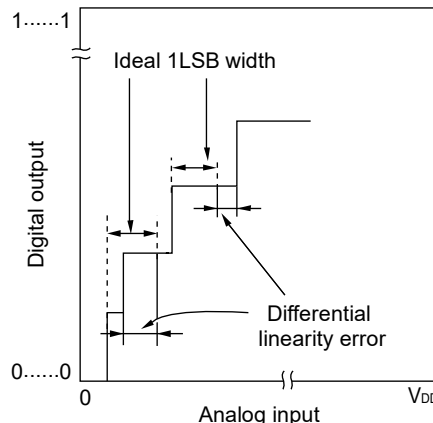


Figure 10-20. Differential Linearity Error



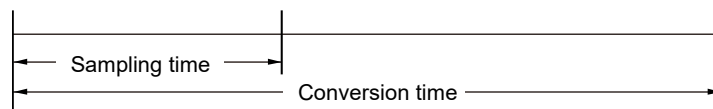
10.8.8 Conversion time

This expresses the time from the start of sampling to when the digital output is obtained.

The sampling time is included in the conversion time in the characteristics table.

10.8.9 Sampling time

This is the time the analog switch is turned on for the analog voltage to be sampled by the sample & hold circuit.



10.9 Cautions for A/D Converter

10.9.1 Operating current in STOP mode

Shift to STOP mode after stopping the A/D converter (by setting bit 7 (ADCS) of A/D converter mode register 0 (ADM0) to 0). The operating current can be reduced by setting bit 0 (ADCE) of the ADM0 register to 0 at the same time.

10.9.2 Input range of ANI0 to ANI7 pins

Observe the rated range of the ANI0 to ANI7 pins input voltage. If a voltage exceeding V_{DD} or equal to or lower than V_{SS} (even in the range of absolute maximum ratings) is input to an analog input channel, the converted value of that channel becomes undefined. In addition, the converted values of the other channels may also be affected.

10.9.3 Conflicting operations

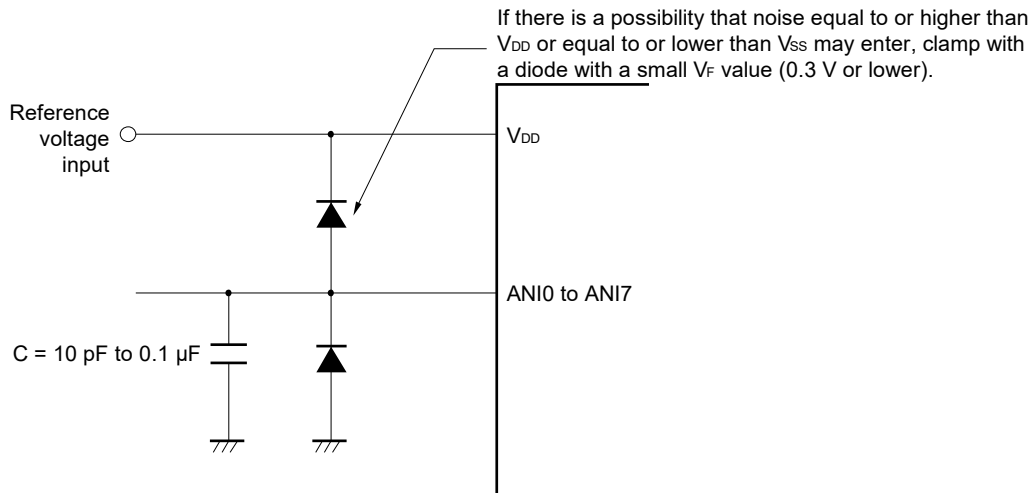
- <1> Reading from the ADCRH or ADCRL register has priority if conflict between writing to the A/D conversion result register (ADCRH, ADCRL) and reading from ADCRH or ADCRL register by software operation occurs at the end of conversion. After the read operation, the new conversion result is written to the ADCRH or ADCRL register.
- <2> Writing to the ADM0 register has priority if conflict between writing to the ADCRH or ADCRL register and writing to the A/D converter mode register 0 (ADM0) occurs at the end of conversion. Writing to the ADCRH or ADCRL register is not performed, nor is the A/D conversion end interrupt signal (INTAD) generated.

10.9.4 Noise countermeasures

To maintain the 10-bit resolution, attention must be paid to noise input to the V_{DD} and ANI0 to ANI7 pins.

- <1> Connect a capacitor with a low equivalent resistance and a good frequency response to the power supply.
- <2> The higher the output impedance of the analog input source, the greater the influence. To reduce the noise, connecting external C as shown in Figure 10-21 is recommended.
- <3> Do not switch these pins with other pins during conversion.
- <4> The accuracy is improved if the HALT mode is set immediately after the start of conversion.
- <5> Set P-ch open drain of P00 to P05 to off state (high impedance) during A/D conversion (R7F0C808, 809).

Figure 10-21. Analog Input Pin Connection



10.9.5 Analog input (ANIn) pins

- <1> The analog input pins (ANI0 to ANI7) are also used as input port pins (P07, P10 to P16). When A/D conversion is performed with any of the ANI0 to ANI7 pins selected, do not change output value to alternate port P07, P10 to P16 while conversion is in progress; otherwise the conversion resolution may be degraded.
- <2> If a pin adjacent to a pin that is being A/D converted is used as a digital I/O port pin, the A/D conversion result might differ from the expected value due to a coupling noise. Be sure to prevent such a pulse from being input or output.

10.9.6 Input impedance of analog input (ANIn) pins

This A/D converter charges a sampling capacitor for sampling during sampling time.

Therefore, only a leakage current flows when sampling is not in progress, and a current that charges the capacitor flows during sampling. Consequently, the input impedance fluctuates depending on whether sampling is in progress, and on the other states.

To make sure that sampling is effective, however, it is recommended to keep the output impedance of the analog input source to within 1 k Ω , and to connect a capacitor of about 0.1 μ F to the ANI0 to ANI7 pins (see **Figure 10-21**).

10.9.7 Interrupt request flag (ADIF)

The interrupt request flag (ADIF) is not cleared even if the analog input channel specification register (ADS) is changed. When A/D conversion is stopped and then resumed, clear ADIF flag before the A/D conversion operation is resumed.

10.9.8 Conversion results just after A/D conversion start

The first A/D conversion value immediately after A/D conversion starts may not fall within the rating range if the ADCS bit is set to 1 within 0.1 μ s after the ADCE bit was set to 1. Take measures such as polling the A/D conversion end interrupt request signal (INTAD) and removing the first conversion result.

10.9.9 A/D conversion result register (ADCRH, ADCRL) read operation

When a write operation is performed to A/D converter mode register 0 (ADM0), analog input channel specification register (ADS), and port mode control register (PMC0), the contents of the ADCRH and ADCRL registers may become undefined. Read the conversion result following conversion completion before writing to the ADM0, ADS, or PMC0 register.

10.9.10 Internal equivalent circuit

The equivalent circuit of the analog input block is shown below.

Figure 10-22. Internal Equivalent Circuit of ANIn Pin

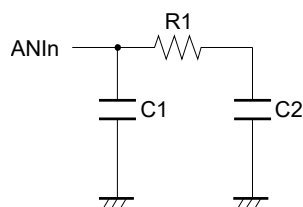


Table 10-4. Resistance and Capacitance Values of Equivalent Circuit

AV_{REFP}, V_{DD}	ANIn Pins	R1 [k Ω]	C1 [pF]	C2 [pF]
$2.7\text{ V} \leq V_{DD} \leq 5.5\text{ V}$	ANI0 to ANI7	40	8	1.7
$2.4\text{ V} \leq V_{DD} < 2.7\text{ V}$	ANI0 to ANI7	200		

Remark The resistance and capacitance values shown in Table 10-4 are not guaranteed values.

10.9.11 Starting the A/D converter

The range of operating voltage for the A/D converter is from 2.4 to 5.5 V. Start the A/D converter after the V_{DD} voltage stabilizes.

CHAPTER 11 SERIAL ARRAY UNIT

Serial array unit 0 has two serial channels. Each channel can achieve 3-wire serial (CSI) and UART communication. Function assignment of each channel supported by the R7F0C806-809 is as shown below.

Unit	Channel	Used as CSI	Used as UART
0	0	CSI00	UART0
	1	–	

A single channel cannot be used under multiple communication methods. When a different communication method is to be configured, use another channel

11.1 Functions of Serial Array Unit

Each serial interface supported by the R7F0C806-809 has the following features.

11.1.1 3-wire serial I/O (CSI00)

Data is transmitted or received in synchronization with the serial clock (SCK) output from the master channel.

3-wire serial communication is clocked communication performed by using three communication lines: one for the serial clock (SCK), one for transmitting serial data (SO), one for receiving serial data (SI).

For details about the settings, see **11.5 Operation of 3-Wire Serial I/O (CSI00) Communication**.

[Data transmission/reception]

- Data length of 7 or 8 bits
- Phase control of transmit/receive data
- MSB/LSB first selectable

[Clock control]

- Master/slave selection
- Phase control of I/O clock
- Setting of transfer period by prescaler and internal counter of each channel
- Maximum transfer rate^{Note}

During master communication: Max. $f_{CLK}/4$

During slave communication: Max. $f_{MCK}/6$

[Interrupt function]

- Transfer end interrupt/buffer empty interrupt

[Error detection flag]

- Overrun error

Note Use the clocks within a range satisfying the SCK cycle time (t_{CKCY}) characteristics. For details, see **CHAPTER 23 ELECTRICAL SPECIFICATIONS**.

11.1.2 UART (UART0)

This is a start-stop synchronization function using two lines: serial data transmission (TXD) and serial data reception (RXD) lines. By using these two communication lines, each data frame, which consist of a start bit, data, parity bit, and stop bit, is transferred asynchronously (using the internal baud rate) between the microcontroller and the other communication party. Full-duplex UART communication can be performed by using a channel dedicated to transmission (even-numbered channel) and a channel dedicated to reception (odd-numbered channel).

For details about the settings, see **11.6 Operation of UART (UART0) Communication**.

[Data transmission/reception]

- Data length of 7 or 8 bits
- Select the MSB/LSB first
- Level setting of transmit/receive data and select of reverse
- Parity bit appending and parity check functions
- Stop bit appending

[Interrupt function]

- Transfer end interrupt/buffer empty interrupt
- Error interrupt in case of framing error, parity error, or overrun error

[Error detection flag]

- Framing error, parity error, or overrun error

The ISC register can be used to set up the input signal on the RXD0 pin of UART0 as an external interrupt input or as a timer input for the timer array unit. The input pulse interval measurement mode of the timer array unit can then be used to measure the width at the baud rate of the other party in communications and make the required adjustments in response.

11.2 Configuration of Serial Array Unit

The serial array unit includes the following hardware.

Table 11-1. Configuration of Serial Array Unit

Item	Configuration
Shift register	8 bits
Buffer register	Serial data register 0nL (SDR0nL ^{Note})
Serial clock I/O	SCK00 pin (for 3-wire serial I/O)
Serial data input	SI00 pin (for 3-wire serial I/O), RXD0 pin (for UART)
Serial data output	SO00 pin (for 3-wire serial I/O), TXD0 pin (for UART)
Control registers	<p><Registers of unit setting block></p> <ul style="list-style-type: none"> ● Peripheral enable register 0 (PER0) ● Serial clock select register 0 (SPS0) ● Serial channel enable status register 0 (SE0) ● Serial channel start register 0 (SS0) ● Serial channel stop register 0 (ST0) ● Serial output enable register 0 (SOE0) ● Serial output register 0 (SO0) ● Serial clock output register 0 (CKO0) ● Serial output level register 0 (SOLO) ● Noise filter enable register 0 (NFEN0) ● Input switch control register (ISC) <p><Registers of each channel></p> <ul style="list-style-type: none"> ● Serial data register 0n (SDR0nH, SDR0nL^{Note}) ● Serial mode register 0n (SMR0nH, SMR0nL) ● Serial communication operation setting register 0n (SCR0n) ● Serial status register 0n (SSR0n) ● Serial flag clear trigger register 0n (SIR0n) <p><Registers of port function block></p> <ul style="list-style-type: none"> ● Port output mode register 0 (POM0) ● Port mode control register 0 (PMC0) ● Port mode register 0 (PM0) ● Port register 0 (P0)

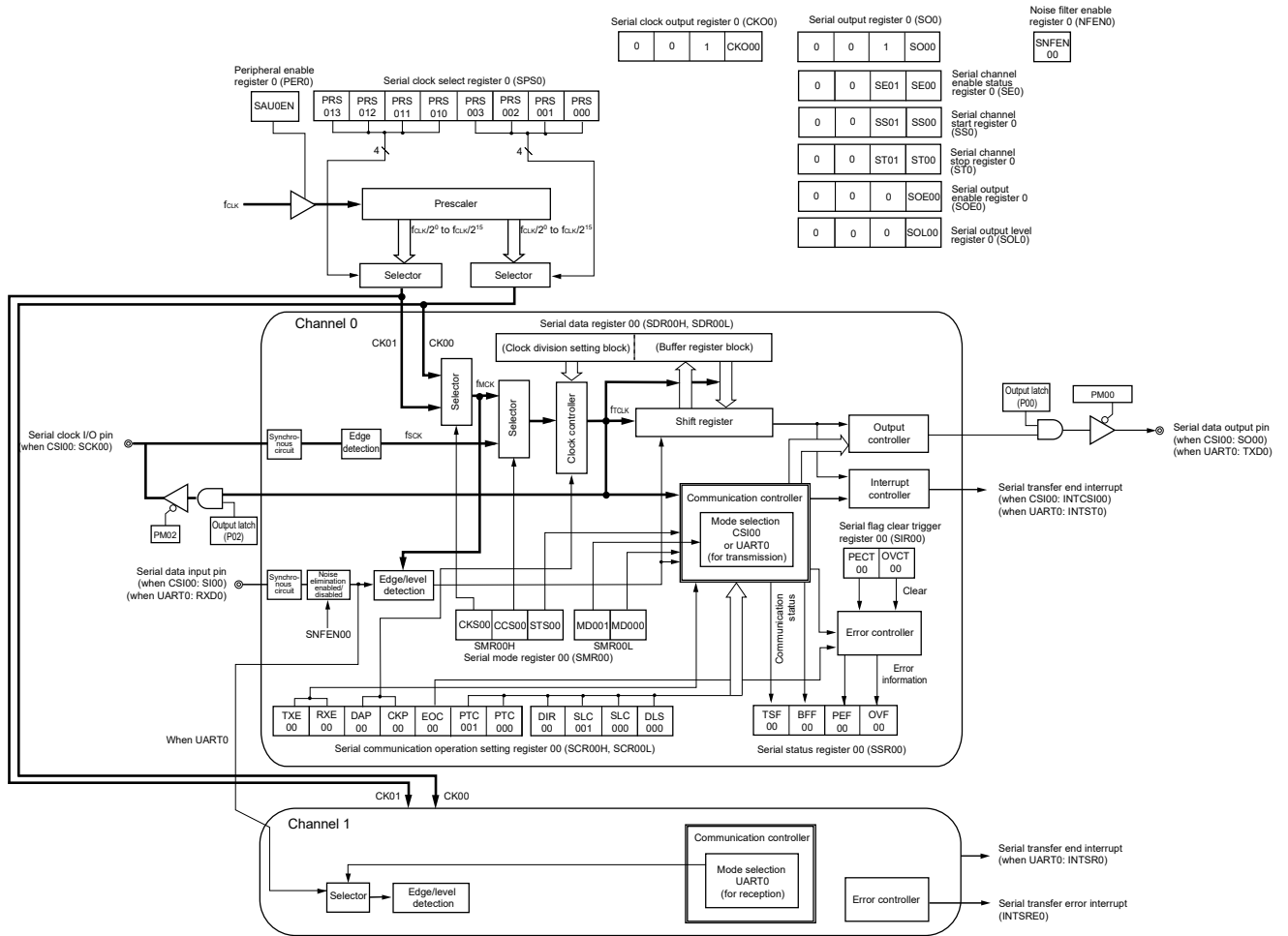
Note The serial data register 0nL (SDR0nL) can be read or written as the following SFR, depending on the communication mode.

- During CSIp communication: SIOp (CSIp data register)
- During UART0 reception: RXD0 (UART0 receive data register)
- During UART0 transmission: TXD0 (UART0 transmit data register)

Remark n: Channel number (n = 0, 1), p: CSI number (p = 00)

Figure 11-1 shows the block diagram of the serial array unit 0.

Figure 11-1. Block Diagram of Serial Array Unit 0



(1) Shift register

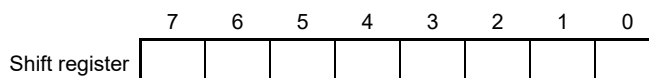
This is an 8-bit register that converts parallel data into serial data or vice versa.

During reception, it converts data input to the serial pin into parallel data.

When data is transmitted, the value set to this register is output as serial data from the serial output pin.

The shift register cannot be directly manipulated by program.

To read or write to the shift register, use the lower 8 bits of serial data register 0nL (SDR0nL).

**(2) Serial data register 0nL (SDR0nL)**

The SDR0nL register is used as a transmit/receive buffer register of channel n.

When data is received, parallel data converted by the shift register is stored in the SDR0nL register. When data is to be transmitted, set transmit data to be transferred to the shift register in the SDR0nL register.

The length of data stored in the SDR0nL register is as follows, depending on the setting of bit 0 (DLS0n0) of serial communication operation setting register 0n (SCR0nL), regardless of the output sequence of the data.

- 7-bit data length (stored in bits 0 to 6 of SDR0nL register)
- 8-bit data length (stored in bits 0 to 7 of SDR0nL register)

The SDR0nL register is set by an 8-bit memory manipulation instruction when the operation is enabled (SE0n = 1).

Writing to the SDR0nL register is prohibited when the operation is stopped (SE0n = 0).

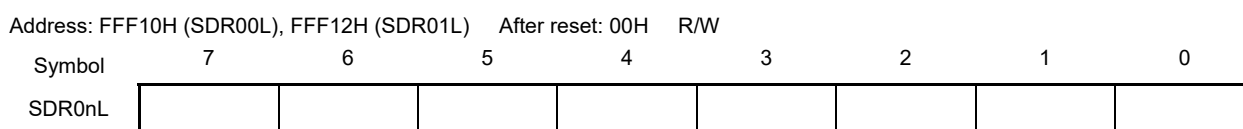
Reset signal generation clears the SDR0nL register to 00H.

Eight-bit memory manipulation instructions are used to set the SDR0nL register as a buffer for an SFR listed below, in accord with the communications protocol in use.

- During CSIp communication: SIOp (CSIp data register)
- During UART0 reception: RXD0 (UART0 receive data register)
- During UART0 transmission: TXD0 (UART0 transmit data register)

Remark n: Channel number (n = 0, 1), p: CSI number (p = 00, 01)

Figure 11-2. Format of Serial Data Register 0nL (SDR0nL) (n = 0, 1)



Remark For the function of the SDR0nH register, see **11.3 Registers Controlling Serial Array Unit**.

11.3 Registers Controlling Serial Array Unit

Serial array unit is controlled by the following registers.

- Peripheral enable register 0 (PER0)
- Serial clock select register 0 (SPS0)
- Serial mode register 0n (SMR0nH, SMR0nL)
- Serial communication operation setting register 0n (SCR0nH, SCR0nL)
- Serial data register 0n (SDR0nH, SDR0nL)
- Serial flag clear trigger register 0n (SIR0n)
- Serial status register 0n (SSR0n)
- Serial channel start register 0 (SS0)
- Serial channel stop register 0 (ST0)
- Serial channel enable status register 0 (SE0)
- Serial output enable register 0 (SOE0)
- Serial output level register 0 (SOL0)
- Serial output register 0 (SO0)
- Serial clock output register (CKO0)
- Noise filter enable register 0 (NFEN0)
- Input switch control register (ISC)
- Port output mode register 0 (POM0)
- Port mode control register 0 (PMC0)
- Port mode register 0 (PM0)
- Port register 0 (P0)

Remark n: Channel number (n = 0, 1)

11.3.1 Peripheral enable register 0 (PER0)

PER0 is used to enable or disable supplying the clock to the peripheral hardware. Clock supply to a hardware macro that is not used is stopped in order to reduce the power consumption and noise.

When serial array unit 0 is used, be sure to set bit 2 (SAU0EN) of this register to 1.

The PER0 register can be set by a 1-bit or 8-bit memory manipulation instruction.

Reset signal generation clears the PER0 register to 00H.

Figure 11-3. Format of Peripheral Enable Register 0 (PER0)

Address: F00F0H After reset: 00H R/W

Symbol	<7>	<6>	<5>	4	3	<2>	1	<0>
PER0	TMKAEN	RTOEN ^{Note}	ADCEN	0	0	SAU0EN	0	TAU0EN

SAU0EN	Control of serial array unit 0 input clock supply
0	Stops supply of input clock. <ul style="list-style-type: none"> • SFR used by serial array unit 0 cannot be written. • Serial array unit 0 is in the reset status.
1	Enables input clock supply. <ul style="list-style-type: none"> • SFR used by serial array unit 0 can be read/written.

Note R7F0C806 and R7F0C807 products only.

Cautions 1. When setting serial array unit 0, be sure to set the following registers while the SAU0EN bit is set to 1 first. If SAU0EN = 0, control registers of serial array unit 0 become default values and writing to them is ignored (except for the noise filter enable register 0 (NFEN0), input switch control register (ISC), port output mode register 0 (POM0), port mode register 0 (PM0), port mode control register 0 (PMC0), and port register 0 (P0)).

- Serial clock select register 0 (SPS0)
- Serial mode register 0n (SMR0nH, SMR0nL)
- Serial communication operation setting register 0n (SCR0nH, SCR0nL)
- Serial data register 0n (SDR0nH, SDR0nL)
- Serial flag clear trigger register 0n (SIR0n)
- Serial status register 0n (SSR0n)
- Serial channel start register 0 (SS0)
- Serial channel stop register 0 (ST0)
- Serial channel enable status register 0 (SE0)
- Serial output enable register 0 (SOE0)
- Serial output level register 0 (SOLO)
- Serial output register 0 (SO0)
- Serial clock output register (CKO0)

2. Be sure to clear the following bits to 0.

R7F0C806 and R7F0C807 products: Bits 1, 3, and 4

R7F0C808 and R7F0C809 products: Bits 1, 3, 4, and 6

11.3.2 Serial clock select register 0 (SPS0)

The SPS0 register is an 8-bit register that is used to select two types of operation clocks (CK00, CK01) that are commonly supplied to each channel. CK01 is selected by bits 7 to 4 of the SPS0 register, and CK00 is selected by bits 3 to 0.

Rewriting the SPS0 register is prohibited when the operation is enabled (when SE0n = 1).

The SPS0 register can be set by an 8-bit memory manipulation instruction.

Reset signal generation clears the SPS0 register to 00H.

Figure 11-4. Format of Serial Clock Select Register 0 (SPS0)

Address: F0126H After reset: 00H R/W

Symbol	7	6	5	4	3	2	1	0
SPS0	PRS013	PRS012	PRS011	PRS010	PRS003	PRS002	PRS001	PRS000

PRS 0n3	PRS 0n2	PRS 0n1	PRS 0n0		Section of operation clock (CKn) ^{Note}				
					f _{CLK} = 1.25 MHz	f _{CLK} = 2.5 MHz	f _{CLK} = 5 MHz	f _{CLK} = 10 MHz	f _{CLK} = 20 MHz
0	0	0	0	f _{CLK}	1.25 MHz	2.5 MHz	5 MHz	10 MHz	20 MHz
0	0	0	1	f _{CLK} /2	625 kHz	1.25 MHz	2.5 MHz	5 MHz	10 MHz
0	0	1	0	f _{CLK} /2 ²	313 kHz	625 kHz	1.25 MHz	2.5 MHz	5 MHz
0	0	1	1	f _{CLK} /2 ³	156 kHz	313 kHz	625 kHz	1.25 MHz	2.5 MHz
0	1	0	0	f _{CLK} /2 ⁴	78 kHz	156 kHz	313 kHz	625 kHz	1.25 MHz
0	1	0	1	f _{CLK} /2 ⁵	39 kHz	78 kHz	156 kHz	313 kHz	625 kHz
0	1	1	0	f _{CLK} /2 ⁶	19.5 kHz	39 kHz	78 kHz	156 kHz	313 kHz
0	1	1	1	f _{CLK} /2 ⁷	9.8 kHz	19.5 kHz	39 kHz	78 kHz	156 kHz
1	0	0	0	f _{CLK} /2 ⁸	4.9 kHz	9.8 kHz	19.5 kHz	39 kHz	78 kHz
1	0	0	1	f _{CLK} /2 ⁹	2.5 kHz	4.9 kHz	9.8 kHz	19.5 kHz	39 kHz
1	0	1	0	f _{CLK} /2 ¹⁰	1.22 kHz	2.5 kHz	4.9 kHz	9.8 kHz	19.5 kHz
1	0	1	1	f _{CLK} /2 ¹¹	625 Hz	1.22 kHz	2.5 kHz	4.9 kHz	9.8 kHz
1	1	0	0	f _{CLK} /2 ¹²	313 Hz	625 Hz	1.22 kHz	2.5 kHz	4.9 kHz
1	1	0	1	f _{CLK} /2 ¹³	152 Hz	313 Hz	625 Hz	1.22 kHz	2.5 kHz
1	1	1	0	f _{CLK} /2 ¹⁴	78 Hz	152 Hz	313 Hz	625 Hz	1.22 kHz
1	1	1	1	f _{CLK} /2 ¹⁵	39 Hz	78 Hz	152 Hz	313 Hz	625 Hz

Note When changing the clock selected for f_{CLK} (by changing the system clock control register (CKC) value), do so after having stopped (serial channel stop register 0 (ST0) = 03H) the operation of the serial array unit (SAU).

- Remarks 1.** f_{CLK}: CPU/peripheral hardware clock frequency
2. n: Channel number (n = 0, 1)

11.3.3 Serial mode register 0n (SMR0nH, SMR0nL)

The SMR0nH and SMR0nL registers are registers that set an operation mode of channel n. It is also used to select an operation clock (f_{MCK}), specify whether the serial clock (f_{SCK}) may be input or not, set a start trigger, an operation mode (CSI or UART), and an interrupt source. This register is also used to invert the level of the receive data only in the UART mode.

Rewriting the SMR0nH and SMR0nL registers is prohibited when the operation is enabled (when SE0n = 1). However, the MD0n0 bit can be rewritten even when the operation is enabled.

The SMR0nH and SMR0nL registers can be set by an 8-bit memory manipulation instruction.

Reset signal generation sets the SMR0nH and SMR0nL registers to 00H and 20H, respectively.

Figure 11-5. Format of Serial Mode Register 0n (SMR0nH, SMR0nL) (1/2)

Address: F0111H (SMR00H), F0113H (SMR01H)								Address: F0110H (SMR00L), F0112H (SMR01L)									
After reset: 00H R/W								After reset: 20H R/W									
Symbol	7	6	5	4	3	2	1	0	Symbol	7	6	5	4	3	2	1	0
SMR0nH	CKS 0n	CCS 0n	0	0	0	0	0	STS 0n	SMR0nL	0	SIS 0n0	1	0	0	0	MD 0n1	MD 0n0
		Note 3						Note 1			Note 2						Note 4

CKS0n	Selection of operation clock (f _{MCK}) of channel n
0	Operation clock CK00 set by the SPS0 register
1	Operation clock CK01 set by the SPS0 register
Operation clock (f _{MCK}) is used by the edge detector. In addition, depending on the setting of the CCS0n bit and the SDR0nH register, a transfer clock (f _{TCLK}) is generated.	

CCS0n ^{Note 3}	Selection of transfer clock (f _{TCLK}) of channel n
0	Divided operation clock f _{MCK} specified by the CKS0n bit
1	Clock input f _{SCK} from the SCKp pin (slave transfer in CSI mode)
Transfer clock f _{TCLK} is used for the shift register, communication controller, output controller, interrupt controller, and error controller. When CCS0n = 0, the division ratio of operation clock (f _{MCK}) is set by the higher 7 bits of the SDR0nH register.	

STS0n ^{Note 1}	Selection of start trigger source
0	Only software trigger is valid (selected for CSI and UART transmission).
1	Valid edge of the RXD0 pin (selected for UART reception)
Transfer is started when the above source is satisfied after 1 is set to the SS0 register.	

- Notes**
1. Provided in the SMR01H register only.
 2. Provided in the SMR01L register only.
 3. Provided in the SMR00H register only.
 4. Provided in the SMR00L register only.

Caution Do not change the initial values of the following bits.

SMR00H: Be sure to clear bits 0 to 5 to “0”.

SMR01H: Be sure to clear bits 1 to 6 to “0”.

SMR00L: Be sure to clear bits 2 to 4, 6, and 7 to “0”, and set bit 5 to “1”.

SMR01L: Be sure to clear bits 2 to 4, and 7 to “0”, and set bit 5 to “1”.

Remark n: Channel number (n = 0, 1)

Figure 11-5. Format of Serial Mode Register 0n (SMR0nH, SMR0nL) (2/2)

Address: F0111H (SMR00H), F0113H (SMR01H)								Address: F0110H (SMR00L), F0112H (SMR01L)									
After reset: 00H R/W								After reset: 20H R/W									
Symbol	7	6	5	4	3	2	1	0	Symbol	7	6	5	4	3	2	1	0
SMR0nH	CKS 0n	CCS 0n Note 3	0	0	0	0	0	STS 0n Note 1	SMR0nL	0	SIS 0n0 Note 2	1	0	0	0	MD 0n1	MD 0n0 Note 4
SIS0n0 ^{Note 2}		Controls inversion of level of receive data of UART0															
0		Falling edge is detected as the start bit. The input communication data is captured as is.															
1		Rising edge is detected as the start bit. The input communication data is inverted and captured.															
MD0n1		Setting of operation mode of channel n															
0		CSI mode															
1		UART mode															
MD0n0 ^{Note 2}		Selection of interrupt source of channel n															
0		Transfer end interrupt															
1		Buffer empty interrupt (Occurs when data is transferred from the SDR0nL register to the shift register.)															
For successive transmission, the next transmit data is written by setting the MD0n0 bit to 1 when SDR0nL data has run out.																	

- Notes**
1. Provided in the SMR01H register only.
 2. Provided in the SMR01L register only.
 3. Provided in the SMR00H register only.
 4. Provided in the SMR00L register only.

Caution Do not change the initial values of the following bits.

SMR00H: Be sure to clear bits 0 to 5 to "0".

SMR01H: Be sure to clear bits 1 to 6 to "0".

SMR00L: Be sure to clear bits 2 to 4, 6, and 7 to "0", and set bit 5 to "1".

SMR01L: Be sure to clear bits 2 to 4 and 7 to "0", and set bit 5 to "1".

Remark n: Channel number (n = 0, 1)

11.3.4 Serial communication operation setting register 0n (SCR0nH, SCR0nL)

The SCR0nH and SCR0nL registers are communication operation setting registers of channel n. It is used to set a data transmission/reception mode, phase of data and clock, whether an error signal is to be masked or not, parity bit, start bit, stop bit, and data length.

Rewriting the SCR0nH and SCR0nL registers is prohibited when the operation is enabled (when SE0n = 1).

The SCR0nH and SCR0nL registers can be set by an 8-bit memory manipulation instruction.

Reset signal generation sets the SCR0nH and SCR0nL registers to 00H and 87H, respectively.

Figure 11-6. Format of Serial Communication Operation Setting Register 0n (SCR0nH, SCR0nL) (1/2)

Address: F0119H (SCR00H), F011BH (SCR01H)								Address: F0118H (SCR00L), F011AH (SCR01L)									
After reset: 00H R/W								After reset: 87H R/W									
Symbol	7	6	5	4	3	2	1	0	Symbol	7	6	5	4	3	2	1	0
SCR0nH	TXE	RXE	DAP	CKP	0	EOC	PTC0	PTC	SCR0nL	DIR	0	SLC0	SLC0	0	1	1	DLS0
	0n ^{Note 3}	0n	0n ^{Note 3}	0n ^{Note 3}		0n	n1	0n0		0n		n1 ^{Note 1}	n0				n0

TXE0n ^{Note 3}	RXE0n	Setting of operation mode of channel n
0	0	Disable communication.
0	1	Reception only
1	0	Transmission only
1	1	Transmission/reception

DAP0n ^{Note 3}	CKP0n ^{Note 3}	Selection of data and clock phase in CSI mode	Type
0	0	SCK00 SO00 SIO0 input timing	1
0	1	SCK00 SO00 SIO0 input timing	2
1	0	SCK00 SO00 SIO0 input timing	3
1	1	SCK00 SO00 SIO0 input timing	4

Be sure to set DAP0n, CKP0n = 0, 0 in the UART mode.

EOC0n	Selection of masking of error interrupt signal (INTSREx (x = 0, 1))
0	Disables generation of error interrupt INTSREx (INTSRx is generated).
1	Enables generation of error interrupt INTSREx (INTSRx is not generated if an error occurs).

Set EOC0n = 0 in the CSI mode and during UART transmission^{Note 2}.

- Notes**
1. Provided in the SCR00L register only.
 2. If EOC0n is not cleared for CSI0n, error interrupt INTSREn may be generated.
 3. Provided in the SCR00H register only.

(Caution and Remark are listed on the next page.)

Figure 11-6. Format of Serial Communication Operation Setting Register 0n (SCR0nH, SCR0nL) (2/2)

Address: F0119H (SCR00H) , F011BH (SCR01H)								Address: F0118H (SCR00L) , F011AH (SCR01L)									
After reset: 00H R/W								After reset: 87H R/W									
Symbol	7	6	5	4	3	2	1	0	Symbol	7	6	5	4	3	2	1	0
SCR0nH	TXE 0n ^{Note 3}	RXE 0n	DAP 0n ^{Note 3}	CKP 0n ^{Note 3}	0	EOC 0n	PTC0 n1	PTC 0n0	SCR0nL	DIR 0n	0	SLC0 n1 ^{Note 1}	SLC0 n0	0	1	1	DLS0 n0

PTC 0n1	PTC 0n0	Setting of parity bit in UART mode	
		Transmission	Reception
0	0	Does not output the parity bit.	Receives without parity
0	1	Outputs 0 parity ^{Note 2} .	No parity judgment
1	0	Outputs even parity.	Judged as even parity.
1	1	Outputs odd parity.	Judges as odd parity.
Be sure to set PTC0n1, PTC0n0 = 0, 0 in the CSI mode.			

DIR0n	Selection of data transfer sequence in CSI and UART modes
0	Inputs/outputs data with MSB first.
1	Inputs/outputs data with LSB first.

SLC0n 1 ^{Note 1}	SLC0n 0	Setting of stop bit in UART mode
0	0	No stop bit
0	1	Stop bit length = 1 bit
1	0	Stop bit length = 2 bits (n = 0 only)
1	1	Setting prohibited
When the transfer end interrupt is selected, the interrupt is generated when all stop bits have been completely transferred. Set the stop bit length to 1 bit (SLC0n1, SLC0n0 = 0, 1) during UART reception. Set no stop bit (SLC0n1, SLC0n0 = 0, 0) in the CSI mode. Set the stop bit length to 1 bit (SLC0n1, SLC0n0 = 0, 1) or 2 bits (SLC0n1, SLC0n0 = 1, 0) during UART transmission.		

DLS0n0	Setting of data length in CSI and UART modes
0	7-bit data length (stored in bits 0 to 6 of the SDR0nL register)
1	8-bit data length (stored in bits 0 to 7 of the SDR0nL register)

- Notes**
1. Provided in the SCR00L register only.
 2. 0 is always added regardless of the data contents.
 3. Provided in the SCR00H register only.

Caution Do not change the initial values of the following bits.

- SCR00H: Be sure to clear bit 3 to “0”.**
- SCR01H: Be sure to clear bits 3 to 5, and 7 to “0”.**
- SCR00L: Be sure to clear bits 3 and 6 to “0”, and set bits 1 and 2 to “1”.**
- SCR01L: Be sure to clear bits 3, 5, and 6 to “0”, and set bits 1 and 2 to “1”.**

Remark n: Channel number (n = 0, 1)

11.3.5 Serial data register 0n (SDR0nH, SDR0nL)

The SDR0nH and SDR0nL registers are the transmit/receive data registers of channel n.

The SDR0nH and SDR0nL registers are set by an 8-bit memory manipulation instruction.

Reset signal generation clears the SDR0nH and SDR0nL registers to 00H.

The SDR0nH register is used as a register that sets the division ratio of the operating clock (f_{MCK}).

If the CCS0n bit of the SMR0nH register is cleared to 0, the clock set by dividing the operating clock by the SDR0nH register is used as the transfer clock.

If the CCS0n bit of the SMR0nH register is set to 1, set the SDR0nH register to 0000000B. The input clock f_{SCK} from the SCKp pin (slave transmission in the CSI mode) is used as the transfer clock.

The SDR0nH register is set by an 8-bit memory manipulation instruction when the operation is stopped ($SE0n = 0$). Writing to the SDR0nH register is ignored when the operation is enabled ($SE0n = 1$), and 0 is always read from the SDR0nH register.

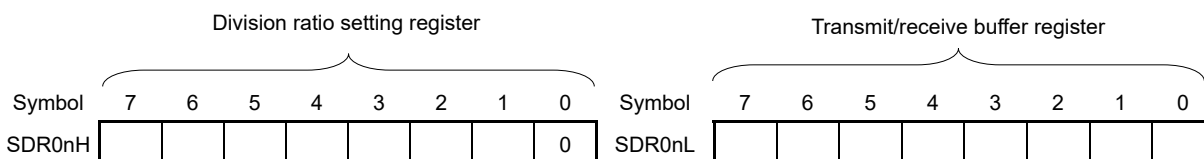
The SDR0nL register functions as a transmit/receive buffer register. During reception, the parallel data converted by the shift register is stored in the SDR0nL register. During transmission, the data to be transmitted to the shift register is set to the SDR0nL register.

The SDR0nL register is set by an 8-bit memory manipulation instruction when the operation is enabled ($SE0n = 1$). Writing to the SDR0nL register is prohibited when the operation is stopped ($SE0n = 0$).

Figure 11-7. Format of Serial Data Register 0n (SDR0n)

Address: FFF11H (SDR00H), FFF13H (SDR01H)
After reset: 00H R/W

Address: FFF10H (SDR00L), FFF12H (SDR01L)
After reset: 00H R/W



SDR0nH[7:1]							Transfer clock setting by dividing the operating clock (f_{MCK})
0	0	0	0	0	0	0	$f_{MCK}/2$
0	0	0	0	0	0	1	$f_{MCK}/4$
0	0	0	0	0	1	0	$f_{MCK}/6$
0	0	0	0	0	1	1	$f_{MCK}/8$
•	•	•	•	•	•	•	•
•	•	•	•	•	•	•	•
•	•	•	•	•	•	•	•
1	1	1	1	1	1	0	$f_{MCK}/254$
1	1	1	1	1	1	1	$f_{MCK}/256$

Caution Setting SDR0nH[7:1] = (0000000B, 000001B) is prohibited when UART is used.

- Remarks**
1. For the function of the SDR0nL register, see 11.2 Configuration of Serial Array Unit.
 2. n: Channel number (n = 0, 1)

11.3.6 Serial flag clear trigger register 0n (SIR0n)

The SIR0n register is a trigger register that is used to clear each error flag of channel n.

When each bit (FECT0n, PECT0n, OVCT0n) of this register is set to 1, the corresponding bit (FEF0n, PEF0n, OVFO0n) of serial status register 0n (SSR0n) is cleared to 0. Because the SIR0n register is a trigger register, it is cleared immediately when the corresponding bit of the SSR0n register is cleared.

The SIR0n register can be set by an 8-bit memory manipulation instruction.

Reset signal generation clears the SIR0n register to 00H.

Figure 11-8. Format of Serial Flag Clear Trigger Register 0n (SIR0n)

Address: F0108H (SIR00) , F010AH (SIR01) , After reset: 00H R/W

Symbol	7	6	5	4	3	2	1	0
SIR0n	0	0	0	0	0	FECT0n ^{Note}	PECT0n	OVCT0n

FECT0n ^{Note}	Clear trigger of framing error of channel n
0	Not cleared
1	Clears the FEF0n bit of the SSR0n register to 0.

PECT0n	Clear trigger of parity error flag of channel n
0	Not cleared
1	Clears the PEF0n bit of the SSR0n register to 0.

OVCT0n	Clear trigger of overrun error flag of channel n
0	Not cleared
1	Clears the OVFO0n bit of the SSR0n register to 0.

Note Provided in the SIR01 register only.

Caution Be sure to clear the following bits to 0.

SIR00 register: Bits 2 to 7

SIR01 register: Bits 3 to 7

Remarks

1. n: Channel number (n = 0, 1)
2. When the SIR0n register is read, 00H is always read.

11.3.7 Serial status register 0n (SSR0n)

The SSR0n register indicates the communication status and error occurrence status of channel n. The errors indicated by this register are framing errors, parity errors, and overrun errors.

The SSR0n register can be read by an 8-bit memory manipulation instruction.

Reset signal generation clears the SSR0n register to 00H.

Figure 11-9. Format of Serial Status Register 0n (SSR0n) (1/2)

Address: F0100H (SSR00) , F0102H (SSR01) , After reset: 00H R

Symbol	7	6	5	4	3	2	1	0
SSR0n	0	TSF0n	BFF0n	0	0	FEF0n ^{Note}	PEF0n	OVF0n

TSF0n	Communication status indication flag of channel n
0	Communication is stopped or suspended.
1	Communication is in progress.
<Clear conditions> <ul style="list-style-type: none"> • The ST0n bit of the ST0 register is set to 1 (communication is stopped) or the SS0n bit of the SS0 register is set to 1 (communication is suspended). • Communication ends. <Set condition> <ul style="list-style-type: none"> • Communication starts. 	

BFF0n	Buffer register status indication flag of channel n
0	Valid data is not stored in the SDR0nL register.
1	Valid data is stored in the SDR0nL register.
<Clear conditions> <ul style="list-style-type: none"> • Transferring transmit data from the SDR0nL register to the shift register ends during transmission. • Reading receive data from the SDR0nL register ends during reception. • The ST0n bit of the ST0 register is set to 1 (communication is stopped) or the SS0n bit of the SS0 register is set to 1 (communication is enabled). <Set conditions> <ul style="list-style-type: none"> • Transmit data is written to the SDR0nL registers while the TXE0n bit of the SCR0nH register is set to 1 (transmission or transmission and reception mode in each communication mode). • Receive data is stored in the SDR0nL registers while the RXE0n bit of the SCR0nH register is set to 1 (reception or transmission and reception mode in each communication mode). • A reception error occurs. 	

Note Provided in the SSR01 register only.

Caution If data is written to the SDR0nL registers when BFF0n = 1, the transmit/receive data stored in the register is discarded and an overrun error (OVE0n = 1) is detected.

Remark n: Channel number (n = 0, 1)

Figure 11-9. Format of Serial Status Register 0n (SSR0n) (2/2)

Address: F0100H (SSR00) - F0102H (SSR01) , After reset: 0000H R

Symbol	7	6	5	4	3	2	1	0
SSR0n	0	TSF0n	BFF0n	0	0	FEF0n ^{Note}	PEF0n	OVF0n

FEF0n ^{Note}	Framing error detection flag of channel n
0	No error occurs.
1	An error occurs (during UART reception).
<Clear condition> <ul style="list-style-type: none"> • 1 is written to the FECT0n bit of the SIR0n register. <Set condition> <ul style="list-style-type: none"> • A stop bit is not detected when UART reception ends. 	

PEF0n	Parity/ACK error detection flag of channel n
0	No error occurs.
1	Parity error occurs (during UART reception).
<Clear condition> <ul style="list-style-type: none"> • 1 is written to the PECT0n bit of the SIR0n register. <Set condition> <ul style="list-style-type: none"> • The parity of the transmit data and the parity bit do not match when UART reception ends (parity error). 	

OVF0n	Overrun error detection flag of channel n
0	No error occurs.
1	An error occurs
<Clear condition> <ul style="list-style-type: none"> • 1 is written to the OVCT0n bit of the SIR0n register. <Set condition> <ul style="list-style-type: none"> • Even though receive data is stored in the SDR0nL registers, that data is not read and transmit data or the next receive data is written while the RXE0n bit of the SCR0nH register is set to 1 (reception or transmission and reception mode in each communication mode). • Transmit data is not ready for slave transmission or transmission and reception in CSI mode. 	

Note Provided in the SSR01 register only.

Remark n: Channel number (n = 0, 1)

11.3.8 Serial channel start register 0 (SS0)

The SS0 register is a trigger register that is used to enable communication/count for each channel.

When 1 is written to a bit of this register (SS0n), the corresponding bit (SE0n) of serial channel enable status register 0 (SE0) is set to 1 (operation is enabled). Because the SS0n bit is a trigger bit, it is cleared immediately when SE0n = 1.

The SS0 register can be set by an 8-bit memory manipulation instruction.

Reset signal generation clears the SS0 register to 00H.

Figure 11-10. Format of Serial Channel Start Register 0 (SS0)

Address: F0122H (SS0) After reset: 00H R/W

Symbol	7	6	5	4	3	2	1	0
SS0	0	0	0	0	0	0	SS01	SS00

SS0n	Operation start trigger of channel n
0	No trigger operation
1	Sets the SE0n bit to 1 and enters the communication wait status ^{Note} .

Note If SS0n is set to 1 during transfer operations, transfer stops and the interface enters the state of waiting. At this time, the control registers and the shift register, the SCK0n and SO0n pins, and the FEF0n, PEF0n, and OVF0n flags retain their values.

- Cautions**
1. Be sure to clear bits 2 to 7 to "0".
 2. For the UART reception, set the RXE0n bit of SCR0nH register to 1, and then be sure to set SS0n to 1 after 4 or more f_{MCK} clocks have elapsed.

- Remarks**
1. n: Channel number (n = 0, 1)
 2. When the SS0 register is read, 00H is always read.

11.3.9 Serial channel stop register 0 (ST0)

The ST0 register is a trigger register that is used to enable stopping communication/count for each channel.

When 1 is written to a bit of this register (ST0n), the corresponding bit (SE0n) of serial channel enable status register 0 (SE0) is cleared to 0 (operation is stopped). Because the ST0n bit is a trigger bit, it is cleared immediately when SE0n = 0.

The ST0 register is set by a 1-bit or 8-bit memory manipulation instruction.

Reset signal generation clears the ST0 register to 00H.

Figure 11-11. Format of Serial Channel Stop Register 0 (ST0)

Address: F0124H After reset: 00H R/W

Symbol	7	6	5	4	3	2	1	0
ST0	0	0	0	0	0	0	ST01	ST00

ST0n	Operation stop trigger of channel n
0	No trigger operation
1	Clears the SE0n bit to 0 and stops the communication operation ^{Note}

Note The control registers and the shift register, the SCK0n and SO0n pins, and the FEF0n, PEF0n, and OVF0n flags retain their values.

Caution Be sure to clear bits 2 to 7 to "0".

Remarks

1. n: Channel number (n = 0, 1)
2. When the ST0 register is read, 00H is always read.

11.3.10 Serial channel enable status register 0 (SE0)

The SE0 register indicates whether the data transmission/reception operation of each channel is enabled or disabled.

When 1 is written to a bit of serial channel start register 0 (SS0), the corresponding bit of this register is set to 1. When 1 is written to a bit of serial channel stop register 0 (ST0), the corresponding bit of this register is cleared to 0.

If the operation of channel n is enabled, the value of the CKO0n bit (serial clock output of channel n) of serial output register 0 (SQ0) cannot be rewritten by software, and a value is output from the serial clock pin according to the communication operation.

If the operation of channel n is disabled, the value of the CKO0n bit of the SQ0 register can be set by software and its value is output from the serial clock pin. In this way, any waveform, such as that of a start condition/stop condition, can be created by software.

The SE0 register can be read by a 1-bit or 8-bit memory manipulation instruction.

Reset signal generation clears the SE0 register to 00H.

Figure 11-12. Format of Serial Channel Enable Status Register 0 (SE0)

Address: F0120H (SE0) After reset: 00H R

Symbol	7	6	5	4	3	2	1	0
SE0	0	0	0	0	0	0	SE01	SE00

SE0n	Indication of operation enable/disable status of channel n
0	Operation is disabled (stopped)
1	Operation is enabled.

Caution Be sure to clear bits 2 to 7 to “0”.

Remark n: Channel number (n = 0, 1)

11.3.11 Serial output enable register 0 (SOE0)

The SOE0 register is used to enable or disable output of the serial communication operation of each channel.

If serial output is enabled for channel n, the value of the SO0n bit of serial output register 0 (SO0) cannot be rewritten by software, and a value is output from the serial data output pin according to the communication operation.

If serial output is disabled for channel n, the SO0n bit value of the SO0 register can be set by software, and its value is output from the serial data output pin. In this way, any waveform, such as that of a start condition/stop condition, can be created by software.

The SOE0 register can be set by a 1-bit or 8-bit memory manipulation instruction.

Reset signal generation clears the SOE0 register to 00H.

Figure 11-13. Format of Serial Output Enable Register 0 (SOE0)

Address: F012AH (SOE0) After reset: 00H R/W

Symbol	7	6	5	4	3	2	1	0
SOE0	0	0	0	0	0	0	0	SOE00

SOE0n	Serial output enable/disable of channel n
0	Disables output by serial communication operation.
1	Enables output by serial communication operation.

Caution Be sure to clear bits 1 to 7 to “0”.

Remark n: Channel number (n = 0)

11.3.12 Serial output register 0 (SO0)

The SO0 register is a buffer register for serial output of each channel.

The value of the SO0n bit of this register is output from the serial data output pin of channel n.

The SO0n bit of this register can be rewritten by software only when serial output is disabled (SOE0n = 0). When serial output is enabled (SOE0n = 1), rewriting by software is ignored, and the value of the register can be changed only by a serial communication operation.

To use the pin for serial interface as a port function pin, set the corresponding SO0n bit to 1.

The SO0 register can be set by an 8-bit memory manipulation instruction.

Reset signal generation clears the SO0 register to 03H.

Figure 11-14. Format of Serial Output Register 0 (SO0)

Address: F0128H (SO0) After reset: 03H R/W

Symbol	7	6	5	4	3	2	1	0
SO0	0	0	0	0	0	0	1	SO00

SO0n	Serial data output of channel n
0	Serial data output value is "0".
1	Serial data output value is "1".

Caution Be sure to set bit 1 to "1", and clear bits 2 to 7 to "0".

Remark n: Channel number (n = 0)

11.3.13 Serial clock output register (CKO0)

The CKO0 register is a buffer register for serial clock output of each channel.

The value of the CKO0n bit of this register is output from the serial clock output pin of channel n.

The CKO0n bit of this register can be rewritten by software only when channel operation is disabled (SE0n = 0). When channel operation is enabled (SE0n = 1), rewriting by software is ignored, and the value of the register can be changed only by a serial communication operation.

To use the pin for serial interface as a port function pin, set the corresponding CKO0n bit to 1.

The CKO0 register can be set by an 8-bit memory manipulation instruction.

Reset signal generation clears the CKO0 register to 03H.

Figure 11-15. Format of Serial Clock Output Register (CKO0)

Address: F0129H (CKO0) After reset: 03H R/W

Symbol	7	6	5	4	3	2	1	0
CKO0	0	0	0	0	0	0	1	CKO00

CKO0n	Serial clock output of channel n
0	Serial clock output value is "0".
1	Serial clock output value is "1".

Caution Be sure to set bit 1 to "1", and clear bits 2 to 7 to "0".

Remark n: Channel number (n = 0)

11.3.14 Serial output level register 0 (SOL0)

The SOL0 register is used to set inversion of the data output level of channel 0.

This register can be set only in the UART mode. Be sure to set 0 to corresponding bit in the CSI mode.

Inverting channel 0 by using this register is reflected on pin output only when serial output is enabled (SOE00 = 1). When serial output is disabled (SOE00 = 0), the value of the SO00 bit is output as is.

Rewriting the SOL0 register is prohibited when the operation is enabled (SE00 = 1).

The SOL0 register can be set by an 8-bit memory manipulation instruction.

Reset signal generation clears the SOL0 register to 00H.

Figure 11-16. Format of Serial Output Level Register 0 (SOL0)

Address: F0134H (SOL0) After reset: 00H R/W

Symbol	7	6	5	4	3	2	1	0
SOL0	0	0	0	0	0	0	0	SOL00

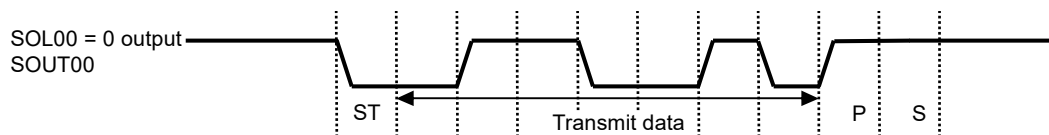
SOL00	Selects inversion of the level of the transmit data of channel 0 in UART mode
0	Communication data is output as is.
1	Communication data is inverted and output.

Caution Be sure to clear bits 1 to 7 to “0”.

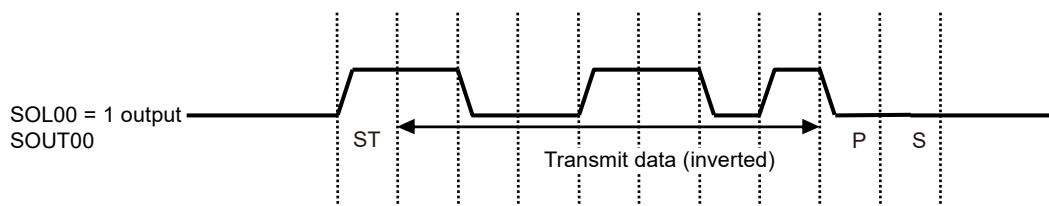
Figure 11-17 shows examples in which the level of transmit data is reversed during UART transmission.

Figure 11-17. Examples of Reverse Transmit Data

(a) Non-reverse Output (SOL00 = 0)



(b) Reverse Output (SOL00 = 1)



11.3.15 Noise filter enable register 0 (NFEN0)

The NFEN0 register is used to set whether the noise filter can be used for the input signal from the serial data input pin of UART.

Disable the noise filter of the pin used for CSI communication, by clearing the corresponding bit of this register to 0.

Enable the noise filter of the pin used for UART communication, by setting the corresponding bit of this register to 1.

When the noise filter is enabled, after synchronization with the operating clock (f_{MCK}) for the target channel, whether the signal keeps the same value for two clock cycles is detected.

When the noise filter is disabled, the input signal is only synchronized with the operating clock (f_{MCK}) for the target channel.

The NFEN0 register can be set by a 1-bit or 8-bit memory manipulation instruction.

Reset signal generation clears the NFEN0 register to 00H.

Figure 11-18. Format of Noise Filter Enable Register 0 (NFEN0)

Address: F0070H After reset: 00H R/W

Symbol	7	6	5	4	3	2	1	0
NFEN0	0	0	0	0	0	0	0	SNFEN00

SNFEN00	Use of noise filter of RXD0 pin
0	Noise filter OFF
1	Noise filter ON

Set the SNFEN00 bit to 1 to use the RXD0 pin.
Clear the SNFEN00 bit to 0 to use other than the RXD0 pin.

Caution Be sure to clear bits 1 to 7 to “0”.

11.3.16 Input switch control register (ISC)

The ISC1 and ISC0 bits in the ISC register are used to handle the combination of the external interrupt and the timer array unit at the time of baud rate correction of UART0.

When bit 0 is set to 1, the input signal on the serial data input (RXD0) pin is input to the external interrupt input (INTP0), making detection of the input edge signal of the start bit in the form of the INTP0 interrupt possible.

When bit 1 is set to 1, the input signal on the serial data input (RXD0) pin is input to the timer input pin (TI01). The width at the baud rate (transfer rate) of the other party can be measured by using the timer array unit input pulse interval measurement mode with the input edge signal of the start bit as a trigger.

The ISC register can be set by a 1-bit or 8-bit memory manipulation instruction.

Reset signal generation clears the ISC register to 00H.

Figure 11-19. Format of Input Switch Control Register (ISC)

Address: F0073H After reset: 00H R/W

Symbol	7	6	5	4	3	2	1	0
ISC	0	0	0	0	0	0	ISC1	ISC0
ISC1	Switching the channel 1 of the timer array unit							
0	Select the input signal on TI01 pin as the timer input (normal operation)							
1	Select the input signal on RXD0 pin as the timer input (Detection of the wake-up signal and pulse-width-measurement for baud rate correction)							
ISC0	Switching the external interrupt (INTP0)							
0	Select the input signal on INTP0 pin as the external interrupt input (normal operation)							
1	Select the input signal on RXD0 pin as the external interrupt input (detection of the wake-up signal)							

Caution Be sure to clear bits 2 to 7 to "0".

11.3.17 Registers controlling port functions of serial input/output pins

Using the serial array unit requires setting of the registers that control the port functions multiplexed on the target channel (port mode registers 0, 1 (PM0, PM1), port registers 0, 1 (P0, P1), port output mode registers 0, 1 (POM0, POM1), port mode control registers 0, 1 (PMC0, PMC1)).

For details, see **4.3.1 Port mode registers 0, 1, 4 (PM0, PM1, PM4)**, **4.3.2 Port registers 0, 1, 4, 12, 13 (P0, P1, P4, P12, P13)**, **4.3.5 Port output mode registers 0, 1 (POM0, POM1)**, and **4.3.6 Port mode control registers 0, 1 (PMC0, PMC1)**.

For an example of settings when using a port pin for serial input and output, see **4.5.3 Example of register settings for port and alternate functions used**.

Specifically, using a port pin with a multiplexed serial data or serial clock output function (e.g. P10/ANI1/SCK00/PCLBUZ0/KR3) for serial data or serial clock output, requires setting the corresponding bits in the port mode control register 1 (PMC1) and port mode register 1 (PM1) to 0, and the corresponding bit in the port register 1 (P1) to 1.

When using the port pin in N-ch open-drain output (V_{DD} tolerance) mode, set the corresponding bit in the port output mode registers 0, 1 (POM0, POM1) to 1.

Example: When P10/ANI1/SCK00/PCLBUZ0/KR3 is to be used for serial data output

Clear the PMC10 bit of port mode control register 1 to "0".

Clear the PM10 bit of port mode register 1 to "0".

Set the P10 bit of port register 1 to "1".

Specifically, using a port pin with a multiplexed serial data or serial clock input function (e.g. P07/ANI0/SI00/RXD0/KR2) for serial data or serial clock input, requires setting the corresponding bit in the port mode register 0 (PM0) to 1, and the corresponding bit in the port mode control register 0 (PMC0) to 0. In this case, the corresponding bit in the port register 0 (P0) can be set to 0 or 1.

Example: When P07/ANI0/SI00/RXD0/KR2 is to be used for serial data input

Clear the PMC07 bit of port mode control register 0 to "0".

Set the PM07 bit of port mode register 0 to "1".

Clear the P07 bit of port register 0 to 0, or set to "1".

11.4 Operation Stop Mode

Each serial interface of serial array unit has the operation stop mode.

In this mode, serial communication cannot be executed, thus reducing the power consumption.

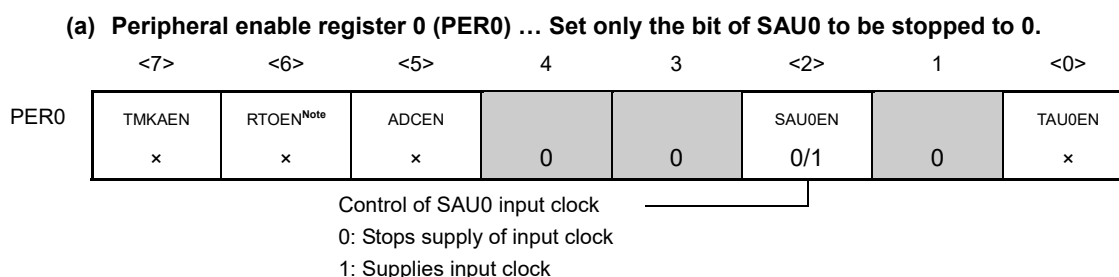
In addition, the serial interface function alternate pins can be used as port function pins in this mode.

11.4.1 Stopping the operation by units

The stopping of the operation by units is set by using peripheral enable register 0 (PER0).

The PER0 register is used to enable or disable supplying the clock to the peripheral hardware. Clock supply to a hardware macro that is not used is stopped in order to reduce the power consumption and noise.

Figure 11-20. Peripheral Enable Register 0 (PER0) Setting When Stopping Operation by Units



Note R7F0C806 and R7F0C807 products only.

Cautions 1. When setting serial array unit 0, be sure to first set the control registers of the serial array unit 0 with the SAU0EN bit set to 1. If SAU0EN = 0, control registers of serial array unit 0 become default values and writing to them is ignored (except for the noise filter enable register 0 (NFEN0), input switch control register (ISC), port output mode register 0 (POM0), port mode register 0 (PM0), port mode control register 0 (PMC0), and port register 0 (P0)).

2. Be sure to clear the following bits to 0.

R7F0C806 and R7F0C807 products: Bits 1, 3, and 4

R7F0C808 and R7F0C809 products: Bits 1, 3, 4, and 6

Remark Setting disabled (fixed by hardware)

x: Bits not used with serial array units (depending on the settings of other peripheral functions)

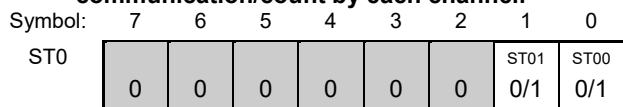
0/1: Set to 0 or 1 depending on the usage of the user.

11.4.2 Stopping the operation by channels

The stopping of the operation by channels is set using each of the following registers.

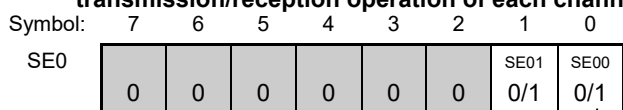
Figure 11-21. Each Register Setting When Stopping Operation by Channels

(a) **Serial channel stop register 0 (ST0) ... This register is a trigger register that is used to enable stopping communication/count by each channel.**



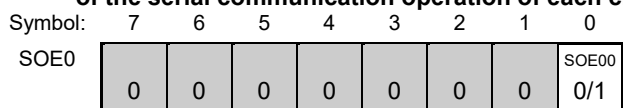
1: Clears the SE0n bit to 0 and stops the communication operation
 * Because the ST0n bit is a trigger bit, it is cleared immediately when SE0n = 0.

(b) **Serial Channel Enable Status Register 0 (SE0) ... This register indicates whether data transmission/reception operation of each channel is enabled or stopped.**



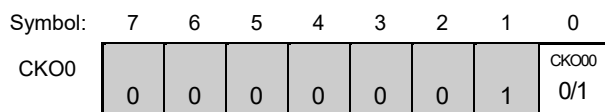
0: Operation stops
 * The SE0 register is a read-only status register. Operation is stopped by using the ST0 register.
 For a channel whose operation is disabled, the value of the CKO0n bit of the SO0 register can be set by software.

(c) **Serial output enable register 0 (SOE0) ... This register is a register that is used to enable or stop output of the serial communication operation of each channel.**



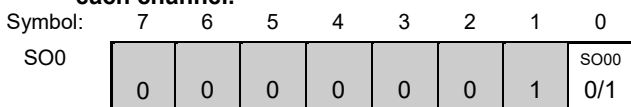
0: Stops output by serial communication operation
 * For channel n whose serial output is stopped, the SO0n bit value of the SO0 register can be set by software.

(d) **Serial clock output register 0 (CKO0) ...This register is a buffer register for serial output of each channel.**



1: Serial clock output value is "1"
 * When using pins corresponding to each channel as port function pins, set the corresponding CKO0n bit to "1".

(e) **Serial output register 0 (SO0) ...This register is a register that is used to set a value of serial output of each channel.**



1: Serial data output value is "1"
 * When using pins corresponding to each channel as port function pins, set the corresponding SO0n bit to "1".

n: Channel number (n = 0, 1)

Remark : Setting disabled (fixed by hardware), 0/1: Set to 0 or 1 depending on the usage of the user

11.5 Operation of 3-Wire Serial I/O (CSI00) Communication

This is a clocked communication function that uses three lines: serial clock (SCK) and serial data (SI and SO) lines.

[Data transmission/reception]

- Data length of 7 or 8 bits
- Phase control of transmit/receive data
- MSB/LSB first selectable

[Clock control]

- Phase control of I/O clock
- Setting of transfer period by prescaler and internal counter of each channel
- Maximum transfer rate^{Note}
 - During master communication: Max. $f_{CLK}/4$
 - During slave communication: Max. $f_{MCK}/6$

[Interrupt function]

- Transfer end interrupt/buffer empty interrupt

[Error detection flag]

- Overrun error

Note Use the clocks within a range satisfying the SCK cycle time (t_{CKCY}) characteristics. For details, see **CHAPTER 23 ELECTRICAL SPECIFICATIONS**.

Unit	Channel	Used as CSI	Used as UART
0	0	CSI00	UART0
	1	–	

3-wire serial I/O (CSI00) performs the following seven types of communication operations.

- Master transmission (See **11.5.1.**)
- Master reception (See **11.5.2.**)
- Master transmission/reception (See **11.5.3.**)
- Slave transmission (See **11.5.4.**)
- Slave reception (See **11.5.5.**)
- Slave transmission/reception (See **11.5.6.**)

11.5.1 Master transmission

Master transmission is that the R7F0C806-809 output a transfer clock and transmits data to another device.

3-Wire Serial I/O	CSI00
Target channel	Channel 0 of SAU0
Pins used	SCK00, SO00
Interrupt	INTCSI00 Transfer end interrupt (in single-transfer mode) or buffer empty interrupt (in continuous transfer mode) can be selected.
Error detection flag	None
Transfer data length	7 or 8 bits
Transfer rate ^{Note}	Max. $f_{CLK}/4$ [Hz] (SDR0nH[7:1] = 1 or more) Min. $f_{CLK}/(2 \times 2^{15} \times 128)$ [Hz]
Data phase	Selectable by the DAP0n bit of the SCR0nH register <ul style="list-style-type: none"> • DAP0n = 0: Data output starts at the start of the operation of the serial clock. • DAP0n = 1: Data output starts half a clock before the start of the serial clock operation.
Clock phase	Selectable by the CKP0n bit of the SCR0nH register <ul style="list-style-type: none"> • CKP0n = 0: Non-reverse (data output at the falling edge and data input at the rising edge of SCK) • CKP0n = 1: Reverse (data output at the rising edge and data input at the falling edge of SCK)
Data direction	MSB or LSB first

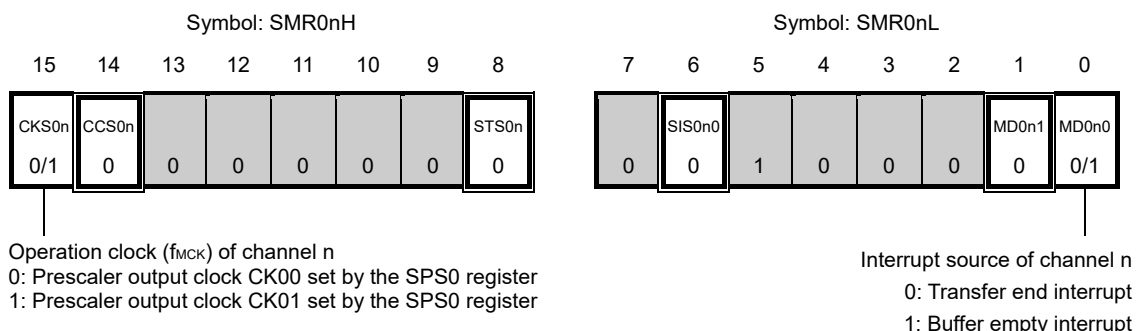
Note Use this operation within a range that satisfies the conditions above and the peripheral function characteristics in the electrical specifications (see **CHAPTER 23 ELECTRICAL SPECIFICATIONS**).

- Remarks**
1. f_{CLK} : System clock frequency
 2. $n = 0$

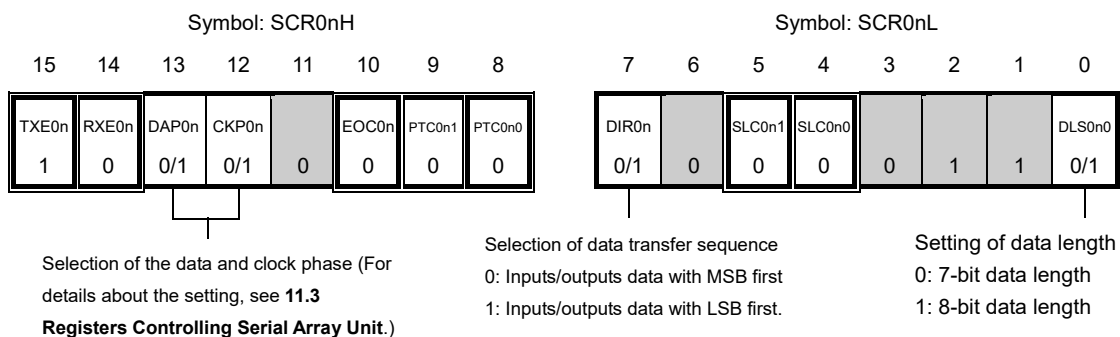
(1) Register setting

Figure 11-22. Example of Contents of Registers for Master Transmission of 3-Wire Serial I/O (CSI00) (1/2)

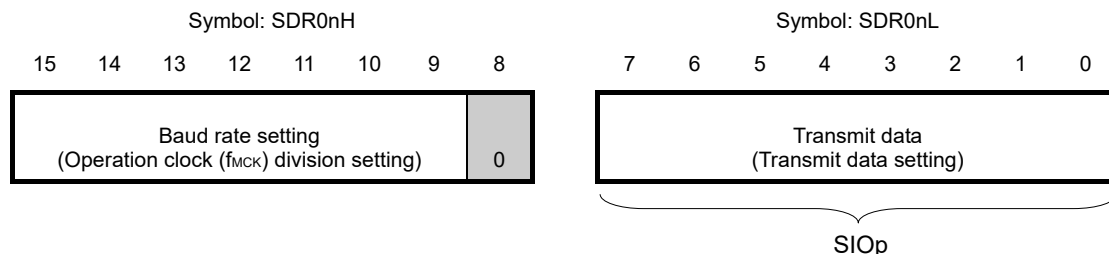
(a) Serial mode register 0n (SMR0nH, SMR0nL)



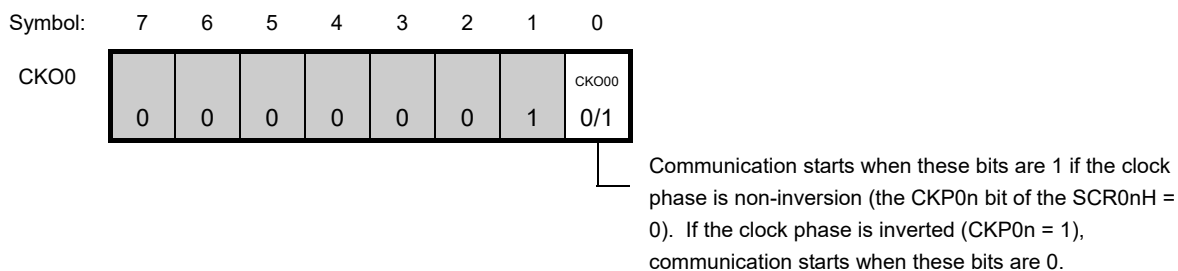
(b) Serial communication operation setting register 0n (SCR0nH, SCR0nL)



(c) Serial data register 0n (SDR0nH, SDR0nL)



(d) Serial clock output register 0 (CKO0) ... Sets only the bits of the target channel.



(Remarks are listed on the next page.)

Figure 11-22. Example of Contents of Registers for Master Transmission of 3-Wire Serial I/O (CSI00) (2/2)**(e) Serial output register 0 (SO0) ... Sets only the bits of the target channel.**

Symbol: 7 6 5 4 3 2 1 0

SO0								SO00
	0	0	0	0	0	0	1	0/1

(f) Serial output enable register 0 (SOE0) ... Sets only the bits of the target channel to 1.

Symbol: 7 6 5 4 3 2 1 0

SOE0								SOE00
	0	0	0	0	0	0	0	0/1

(g) Serial channel start register 0 (SS0) ... Sets only the bits of the target channel to 1.

Symbol: 7 6 5 4 3 2 1 0

SS0							SS01	SS00
	0	0	0	0	0	0	0	0/1

Remarks 1. n = 0, p: CSI number (p = 00)

2. : Setting is fixed in the CSI master transmission mode, : Setting disabled (set to the initial value)
 ×: Bit that cannot be used in this mode (set to the initial value when not used in any mode)
 0/1: Set to 0 or 1 depending on the usage of the user.

(2) Operation procedure

Figure 11-23. Initial Setting Procedure for Master Transmission

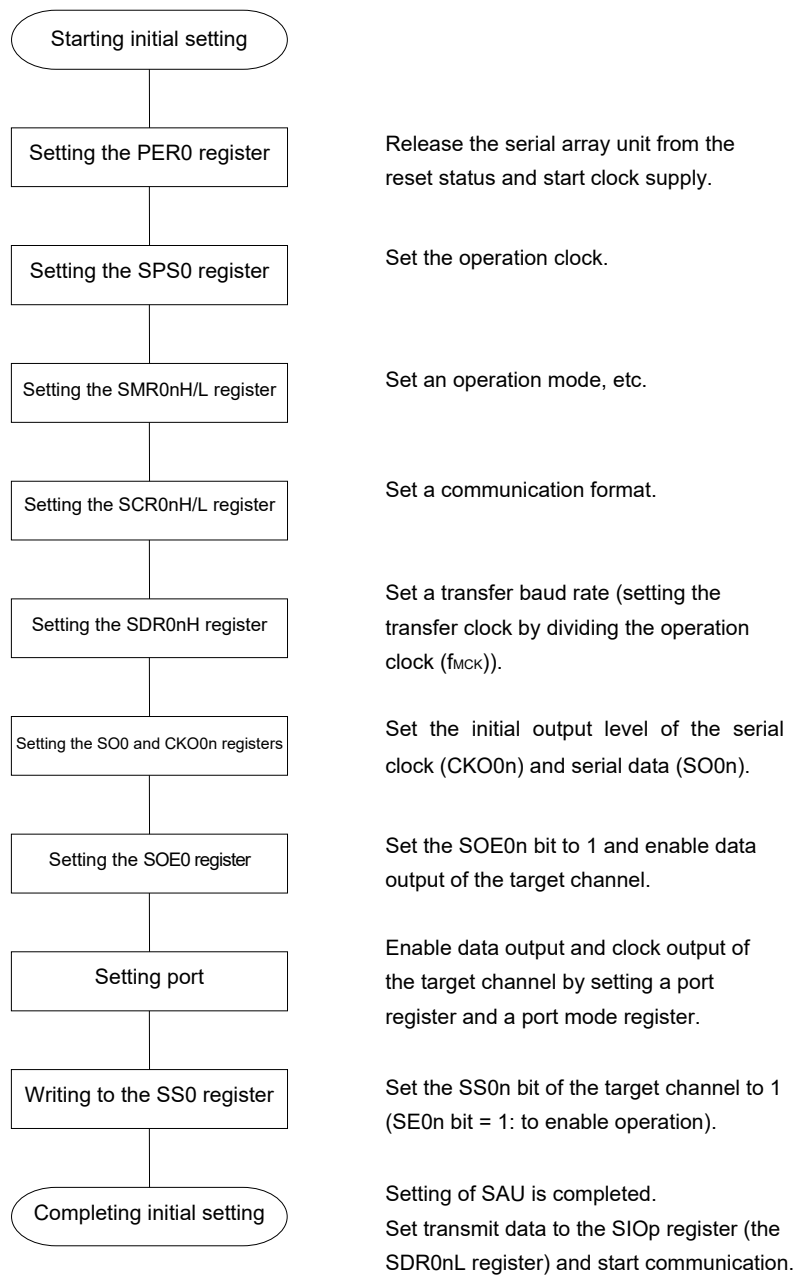


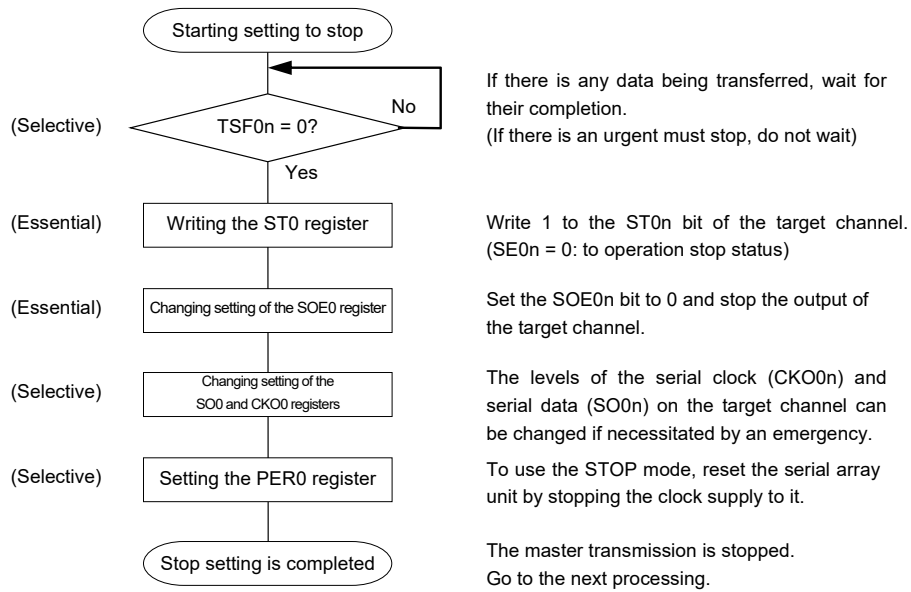
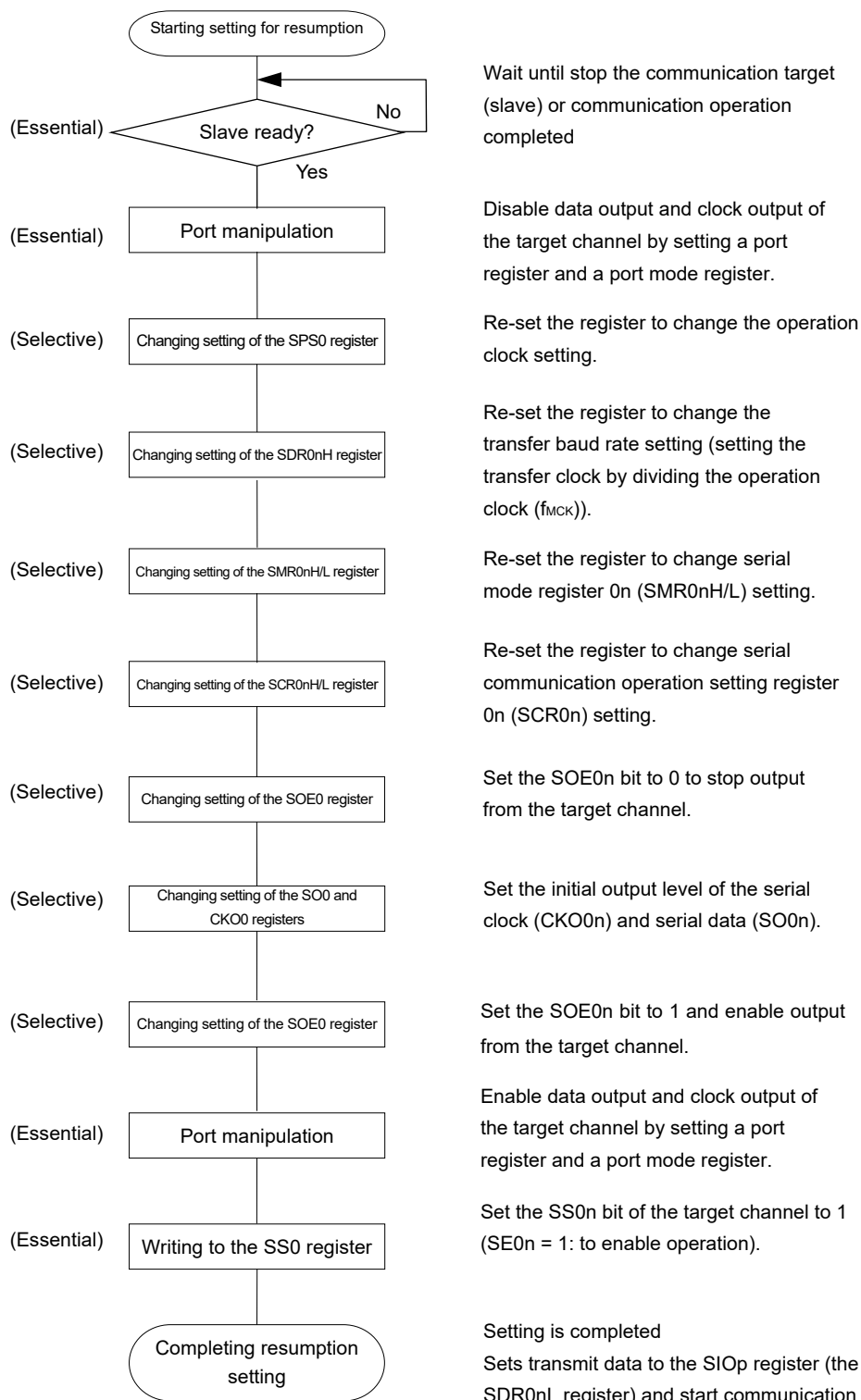
Figure 11-24. Procedure for Stopping Master Transmission

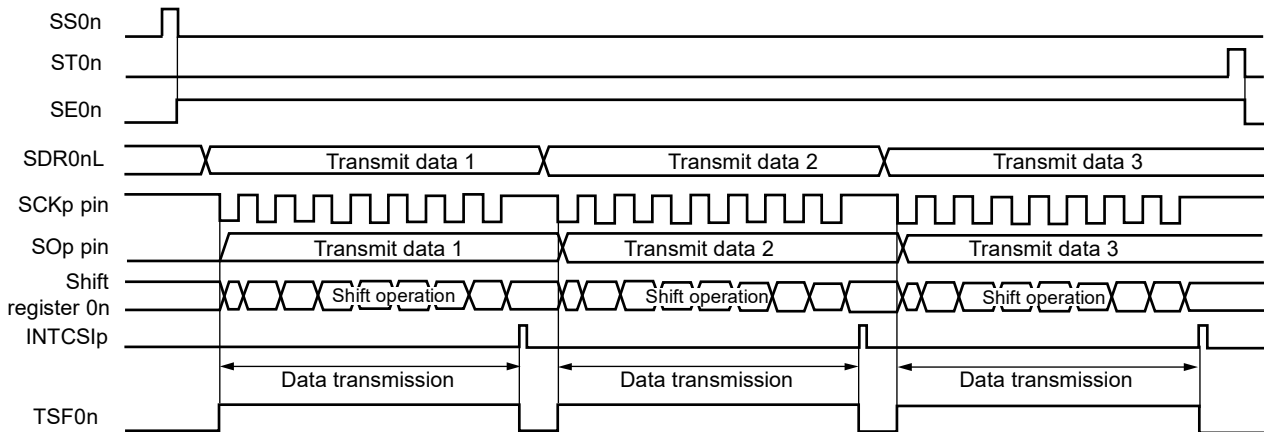
Figure 11-25. Procedure for Resuming Master Transmission



Remark If PER0 is rewritten while stopping the master transmission and the clock supply is stopped, wait until the transmission target (slave) stops or transmission finishes, and then perform initialization instead of restarting the transmission.

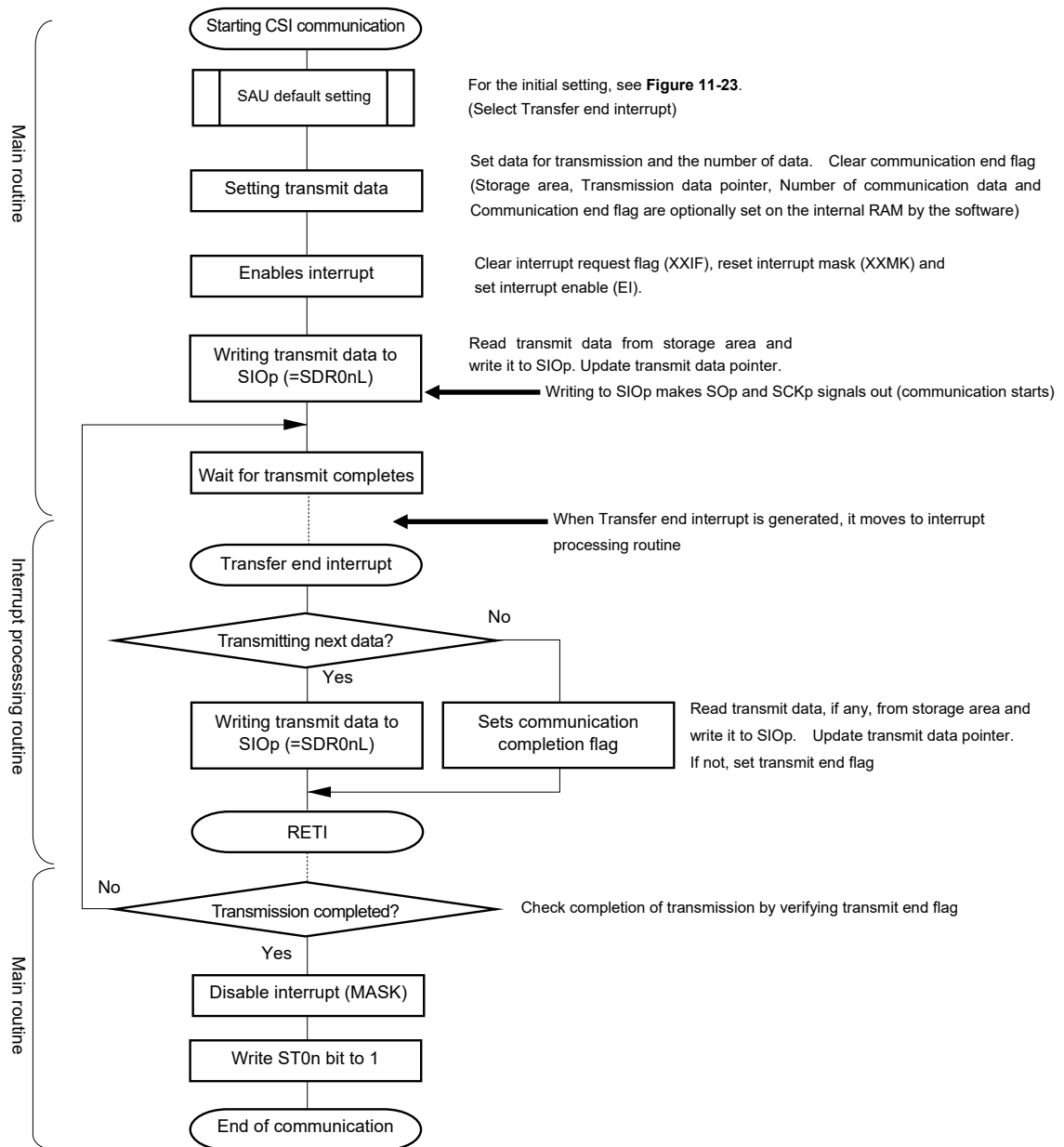
(3) Processing flow (in single-transmission mode)

Figure 11-26. Timing Chart of Master Transmission (in Single-Transmission Mode)
 (Type 1: DAP0n = 0, CKP0n = 0)



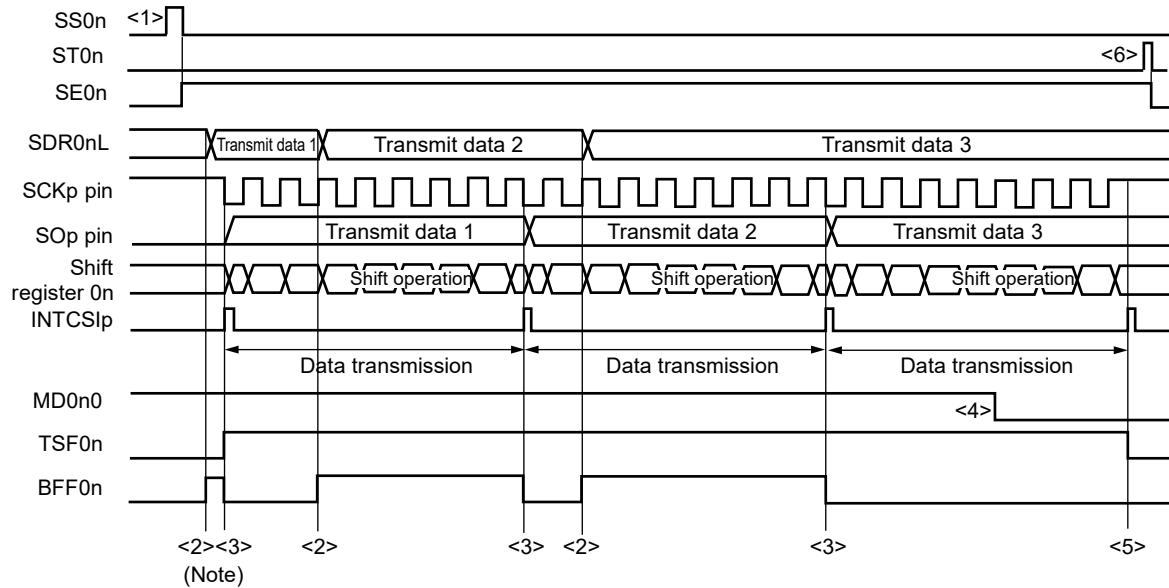
Remark n = 0, p: CSI number (p = 00)

Figure 11-27. Flowchart of Master Transmission (in Single-Transmission Mode)



(4) Processing flow (in continuous transmission mode)

Figure 11-28. Timing Chart of Master Transmission (in Continuous Transmission Mode)
(Type 1: DAP0n = 0, CKP0n = 0)

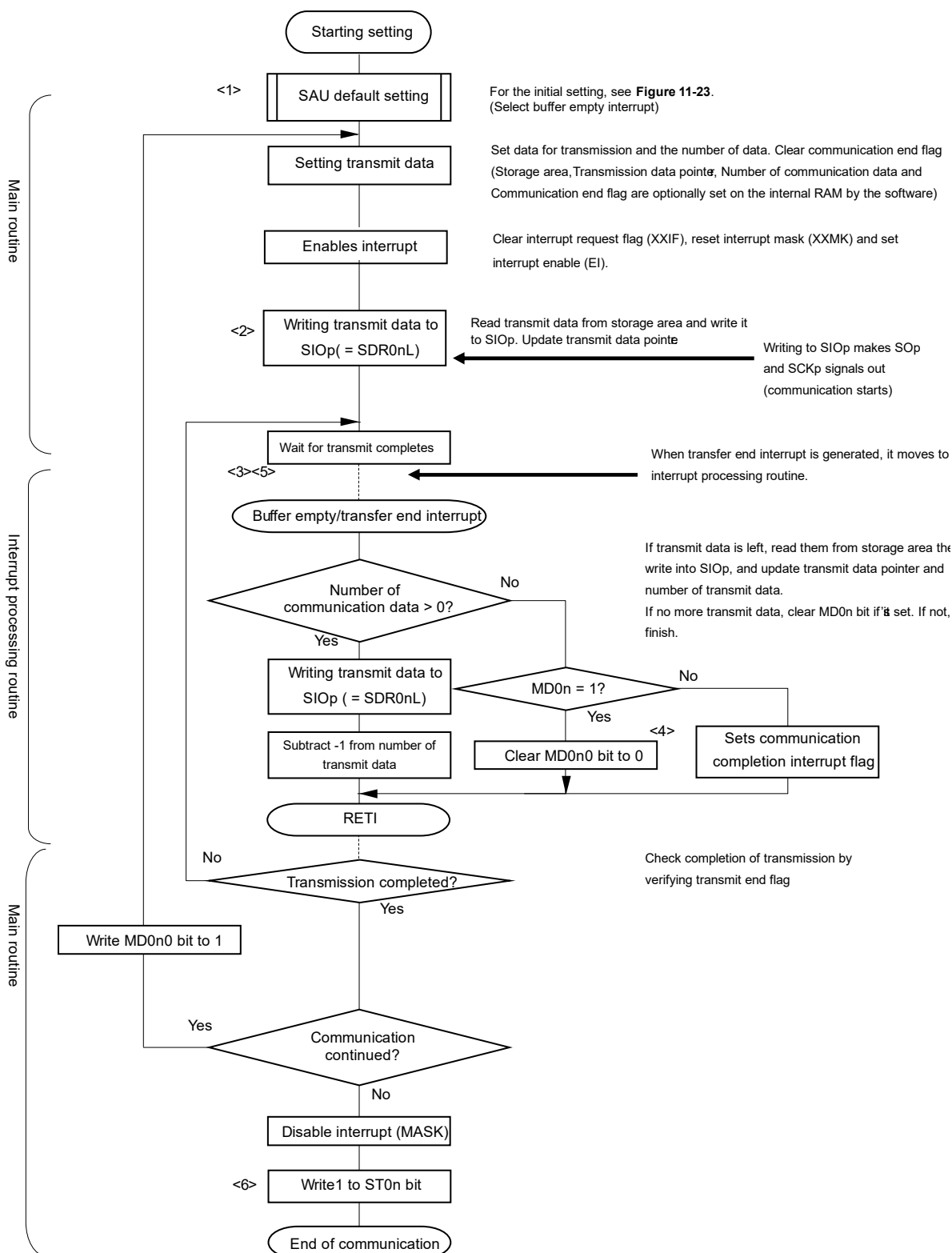


Note If transmit data is written to the SDR0nL register while the BFF0n bit of serial status register 0n (SSR0n) is 1 (valid data is stored in serial data register 0n (SDR0nL)), the transmit data is overwritten.

Caution The MD0n0 bit of serial mode register 0n (SMR0nL) can be rewritten even during operation. However, rewrite it before transfer of the last bit is started, so that it will be rewritten before the transfer end interrupt of the last transmit data.

Remark n = 0, p: CSI number (p = 00)

Figure 11-29. Flowchart of Master Transmission (in Continuous Transmission Mode)



Remark <1> to <6> in the figure correspond to <1> to <6> in Figure 11-28 Timing Chart of Master Transmission (in Continuous Transmission Mode).

11.5.2 Master reception

Master reception is that the R7F0C806-809 output a transfer clock and receives data from other device.

3-Wire Serial I/O	CSI00
Target channel	Channel 0 of SAU0
Pins used	SCK00, SI00
Interrupt	INTCSI00
	Transfer end interrupt (in single-transfer mode) or buffer empty interrupt (in continuous transfer mode) can be selected.
Error detection flag	Overrun error detection flag (OVF0n) only
Transfer data length	7 or 8 bits
Transfer rate ^{Note}	Max. $f_{CLK}/4$ [Hz] (SDR0nH[7:1] = 1 or more)
	Min. $f_{CLK}/(2 \times 2^{15} \times 128)$ [Hz]
Data phase	Selectable by the DAP0n bit of the SCR0nH register <ul style="list-style-type: none"> • DAP0n = 0: Data input starts at the start of the operation of the serial clock. • DAP0n = 1: Data input starts half a clock before the start of the serial clock operation.
Clock phase	Selectable by the CKP0n bit of the SCR0nH register <ul style="list-style-type: none"> • CKP0n = 0: Non-inversion • CKP0n = 1: Inverted
Data direction	MSB or LSB first

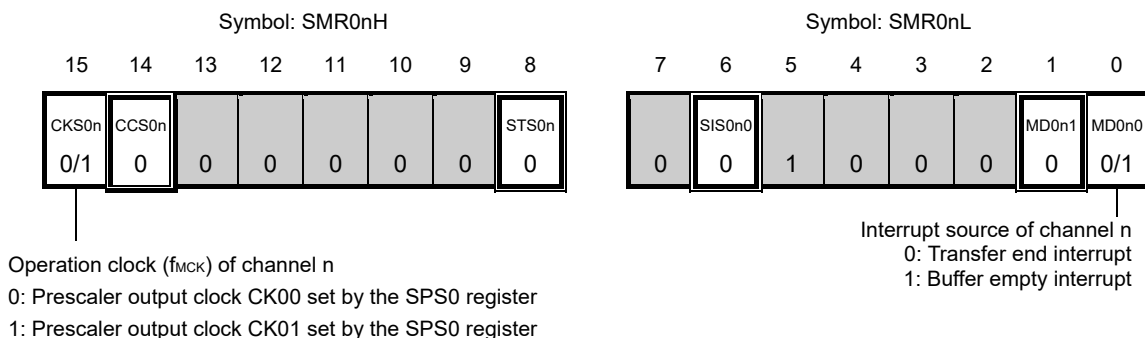
Note Use this operation within a range that satisfies the conditions above and the AC characteristics in the electrical specifications (see **CHAPTER 23 ELECTRICAL SPECIFICATIONS**).

- Remarks**
1. f_{CLK} : System clock frequency
 2. $n = 0$

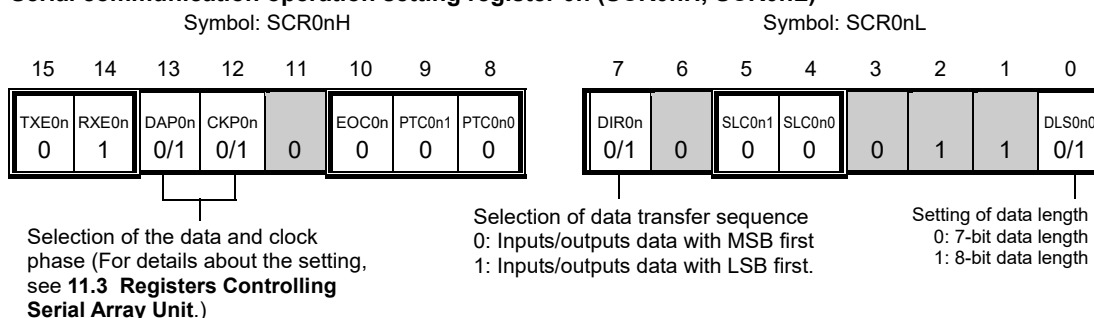
(1) Register setting

Figure 11-30. Example of Contents of Registers for Master Reception of 3-Wire Serial I/O (CSI00) (1/2)

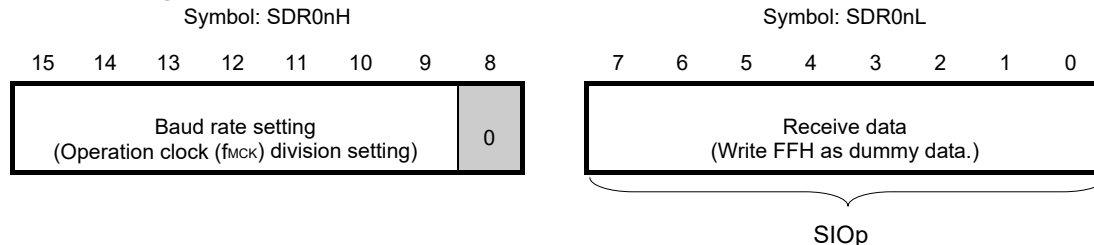
(a) Serial mode register 0n (SMR0nH, SMR0nL)



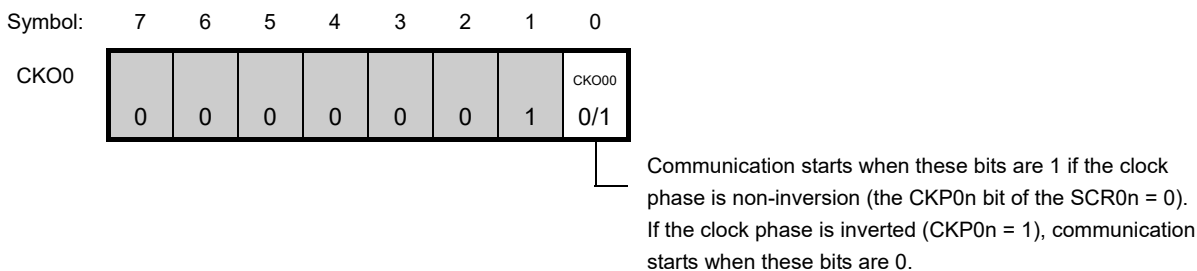
(b) Serial communication operation setting register 0n (SCR0nH, SCR0nL)



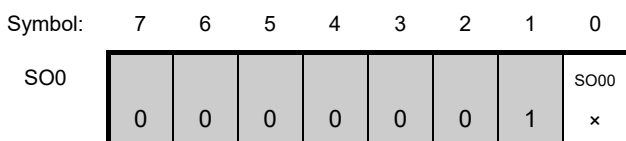
(c) Serial data register 0n (SDR0nH, SDR0nL)



(d) Serial clock output register 0 (CKO0) ... Sets only the bits of the target channel.



(e) Serial output register 0 (SO0) ...The register that not used in this mode.



(Remarks are listed on the next page.)

Figure 11-30. Example of Contents of Registers for Master Reception of 3-Wire Serial I/O (CSI00) (2/2)**(f) Serial output enable register 0 (SOE0) ... The register that not used in this mode.**

Symbol:	7	6	5	4	3	2	1	0
SOE0	0	0	0	0	0	0	1	SOE00 ×

(g) Serial channel start register 0 (SS0) ... Sets only the bits of the target channel to 1.

Symbol:	7	6	5	4	3	2	1	0
SS0	0	0	0	0	0	0	SS01 0/1	SS00 0/1

Remarks 1. n = 0, p: CSI number (p = 00)

2. : Setting is fixed in the CSI master transmission mode, : Setting disabled (set to the initial value)
 ×: Bit that cannot be used in this mode (set to the initial value when not used in any mode)
 0/1: Set to 0 or 1 depending on the usage of the user

(2) Operation procedure

Figure 11-31. Initial Setting Procedure for Master Reception

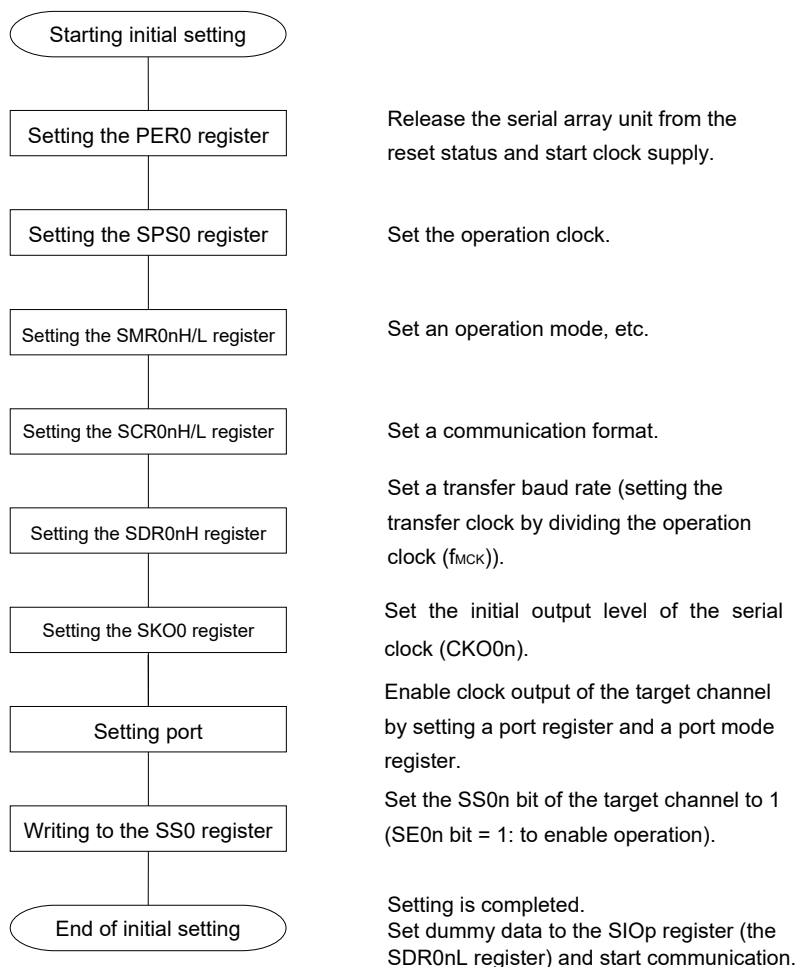


Figure 11-32. Procedure for Stopping Master Reception

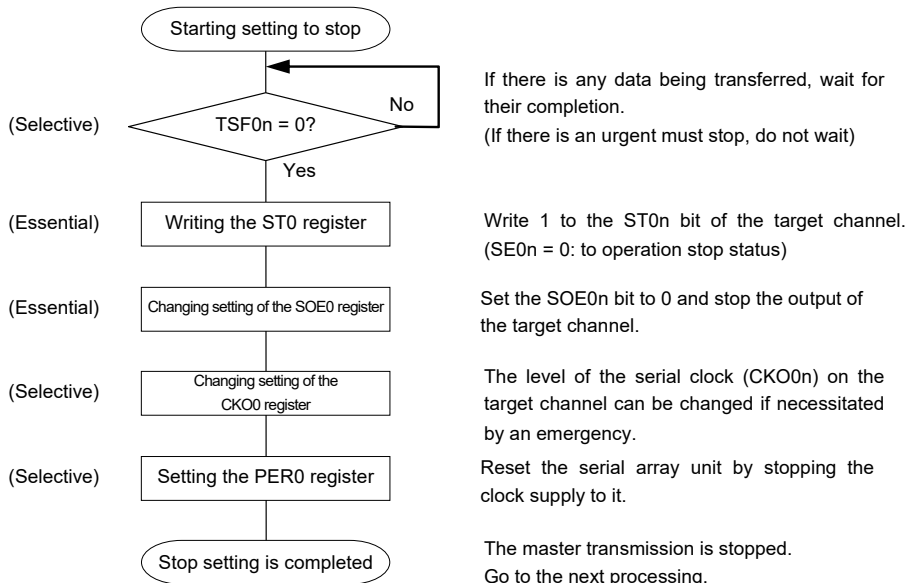
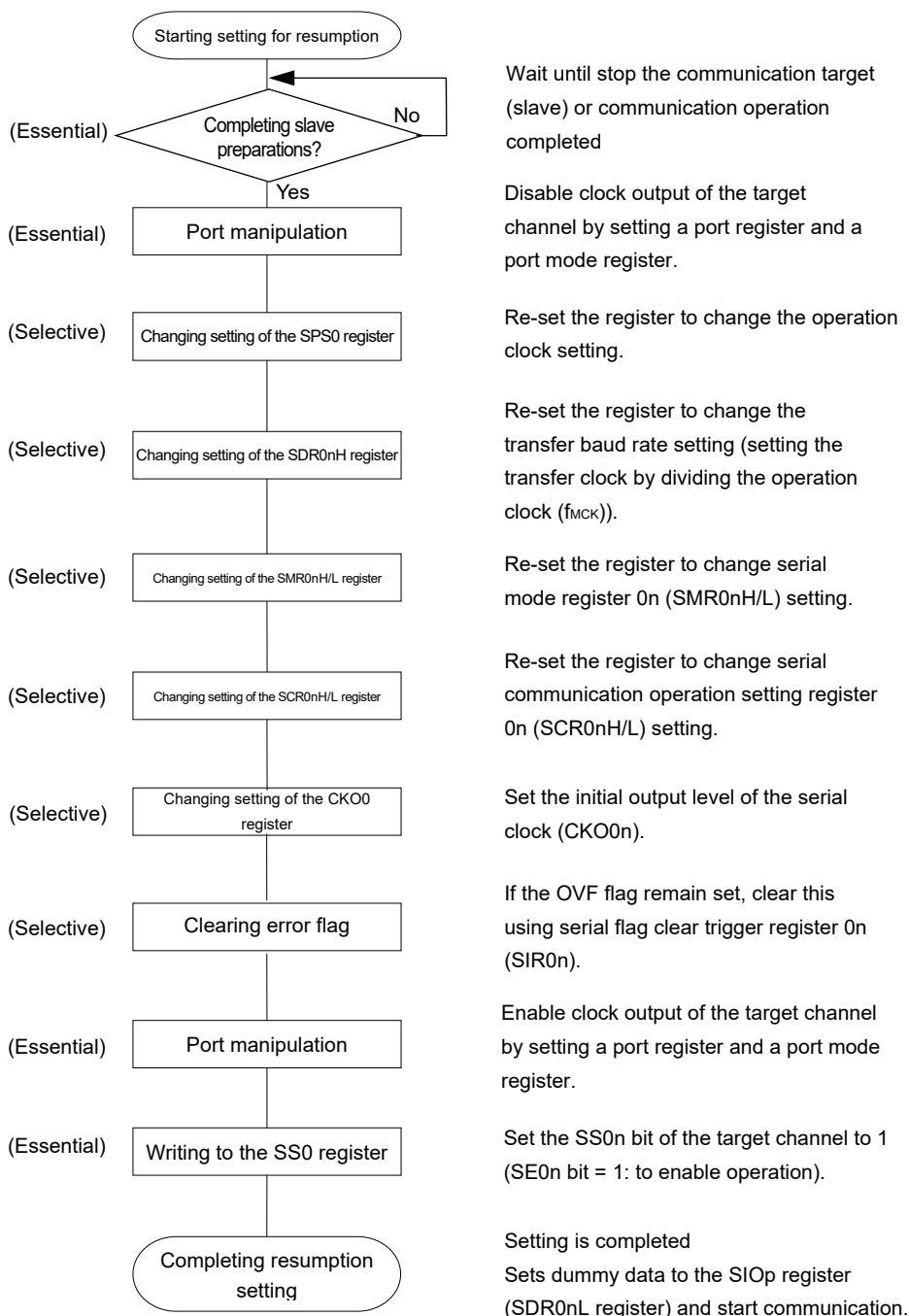


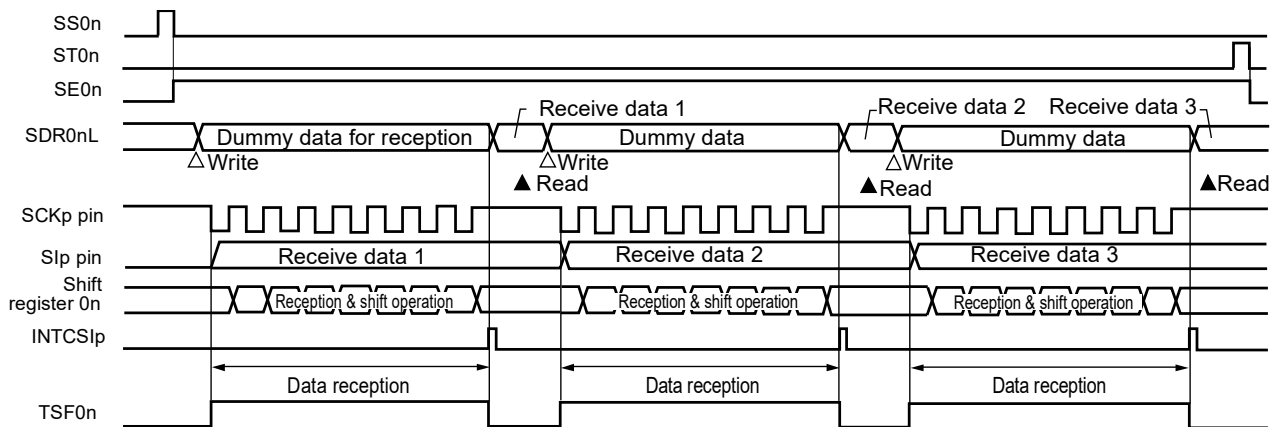
Figure 11-33. Procedure for Resuming Master Reception



Remark If PER0 is rewritten while stopping the master transmission and the clock supply is stopped, wait until the transmission target (slave) stops or transmission finishes, and then perform initialization instead of restarting the transmission.

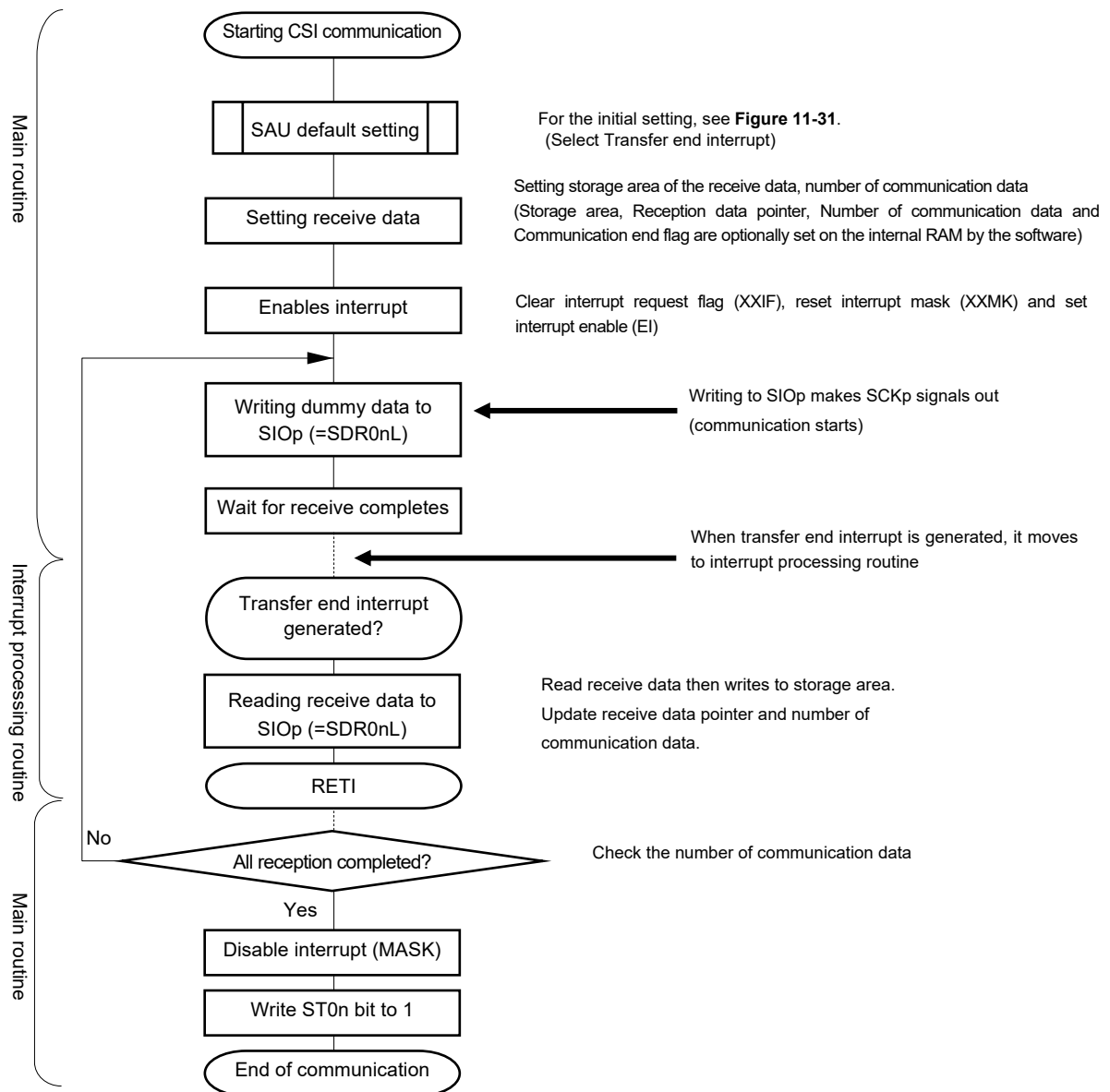
(3) Processing flow (in single-reception mode)

Figure 11-34. Timing Chart of Master Reception (in Single-Reception Mode) (Type 1: DAP0n = 0, CKP0n = 0)



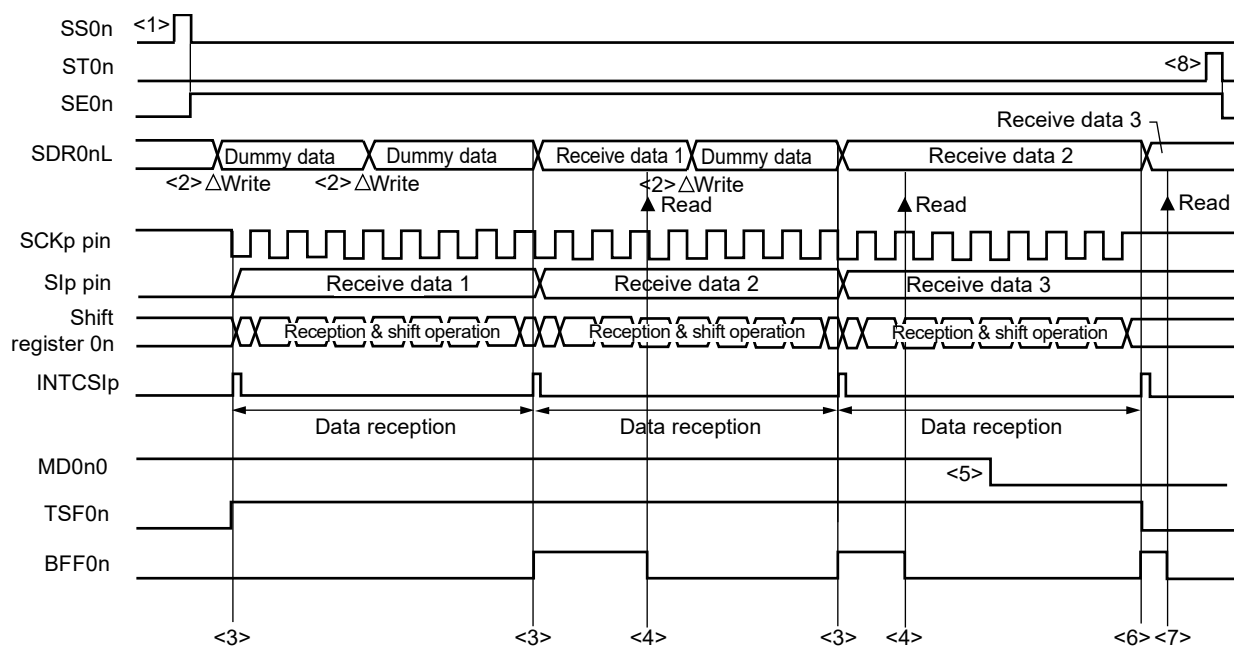
Remark n = 0, p: CSI number (p = 00)

Figure 11-35. Flowchart of Master Reception (in Single-Reception Mode)



(4) Processing flow (in continuous reception mode)

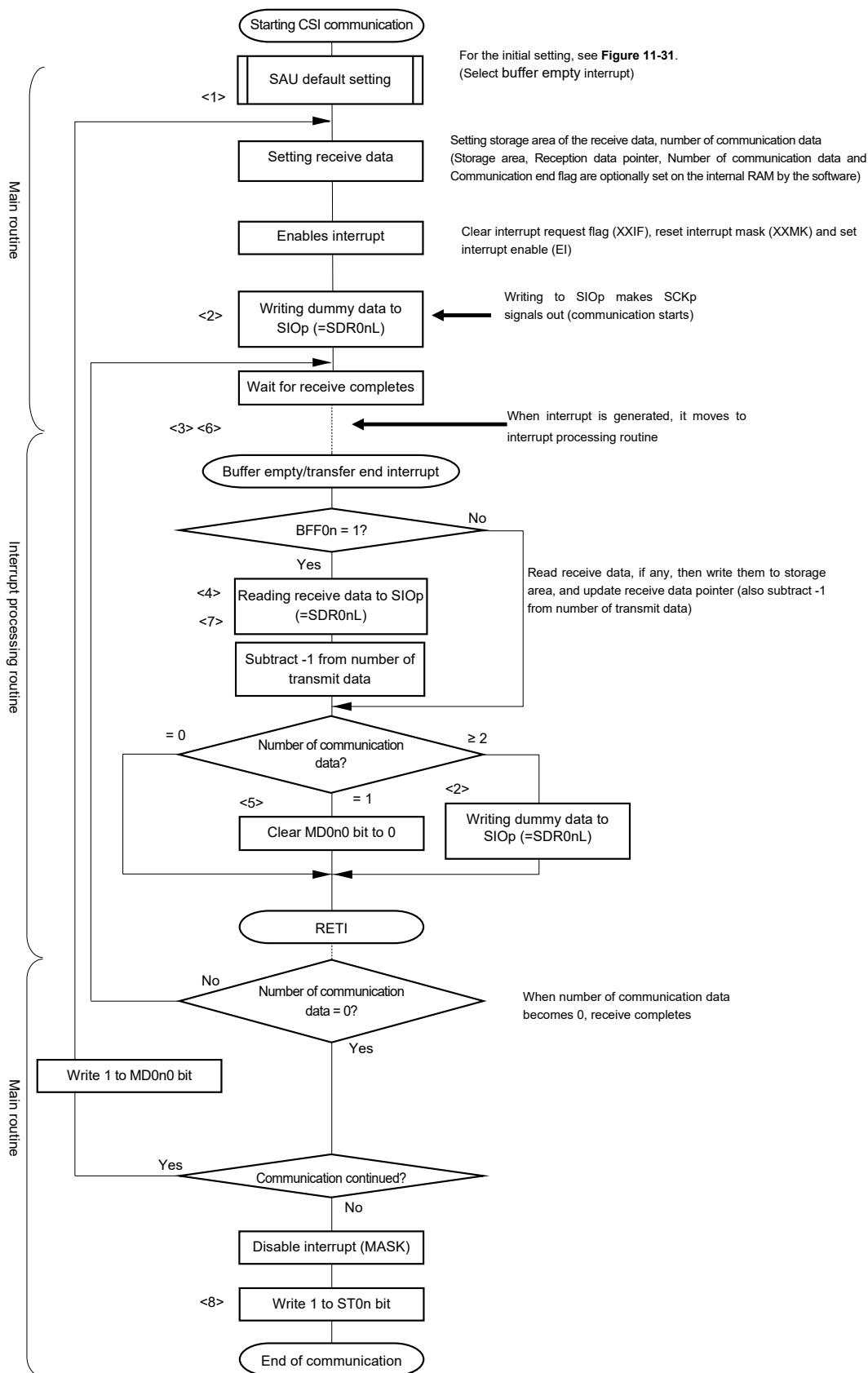
Figure 11-36. Timing Chart of Master Reception (in Continuous Reception Mode) (Type 1: DAP0n = 0, CKP0n = 0)



Caution The MD0n0 bit can be rewritten even during operation. However, rewrite it before receive of the last bit is started, so that it has been rewritten before the transfer end interrupt of the last receive data.

- Remarks**
1. <1> to <8> in the figure correspond to <1> to <8> in **Figure 11-37 Flowchart of Master Reception (in Continuous Reception Mode)**.
 2. n = 0, p: CSI number (p = 00)

Figure 11-37. Flowchart of Master Reception (in Continuous Reception Mode)



Remark <1> to <8> in the figure correspond to <1> to <8> in Figure 11-36 Timing Chart of Master Reception (in Continuous Reception Mode).

11.5.3 Master transmission/reception

Master transmission/reception is that the R7F0C806-809 output a transfer clock and transmits/receives data to/from other device.

3-Wire Serial I/O	CSI00
Target channel	Channel 0 of SAU0
Pins used	SCK00, SI00, SO00
Interrupt	INTCSI00 Transfer end interrupt (in single-transfer mode) or buffer empty interrupt (in continuous transfer mode) can be selected.
Error detection flag	Overrun error detection flag (OVF0n) only
Transfer data length	7 or 8 bits
Transfer rate ^{Note}	Max. $f_{CLK}/4$ [Hz] (SDR0nH[7:1] = 1 or more) Min. $f_{CLK}/(2 \times 2^{15} \times 128)$ [Hz]
Data phase	Selectable by the DAP0n bit of the SCR0nH register <ul style="list-style-type: none"> • DAP0n = 0: Data I/O starts at the start of the operation of the serial clock. • DAP0n = 1: Data I/O starts half a clock before the start of the serial clock operation.
Clock phase	Selectable by the CKP0n bit of the SCR0nH register <ul style="list-style-type: none"> • CKP0n = 0: Non-inversion • CKP0n = 1: Inverted
Data direction	MSB or LSB first

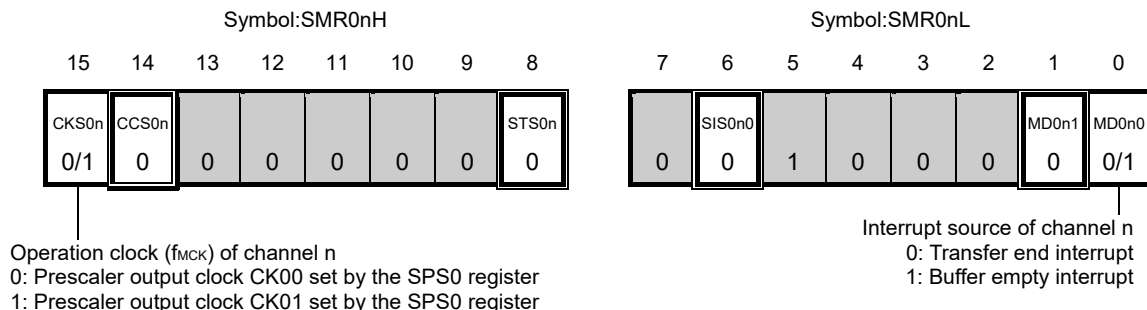
Note Use this operation within a range that satisfies the conditions above and the AC characteristics in the electrical specifications (see **CHAPTER 23 ELECTRICAL SPECIFICATIONS**).

- Remarks**
1. f_{CLK} : System clock frequency
 2. $n = 0$

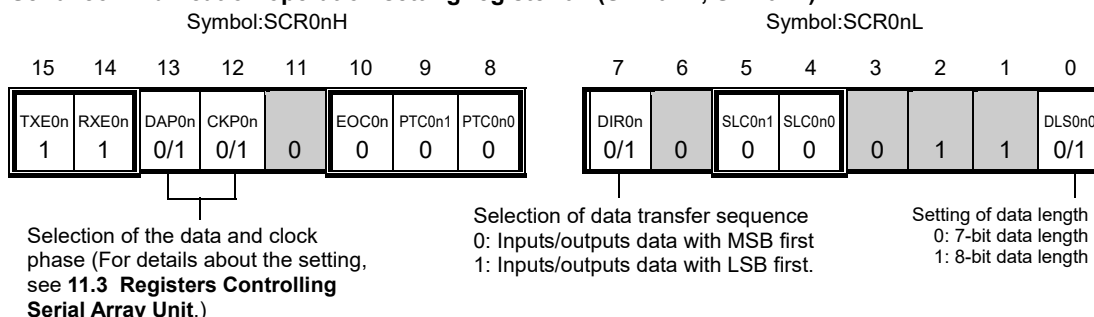
(1) Register setting

Figure 11-38. Example of Contents of Registers for Master Transmission/Reception of 3-Wire Serial I/O (CSI00) (1/2)

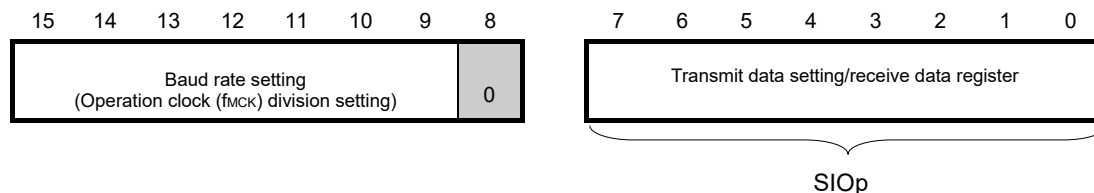
(a) Serial mode register 0n (SMR0nH, SMR0nL)



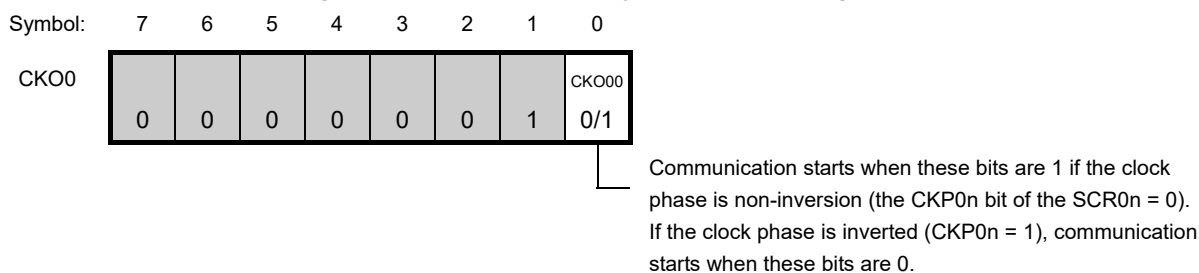
(b) Serial communication operation setting register 0n (SCR0nH, SCR0nL)



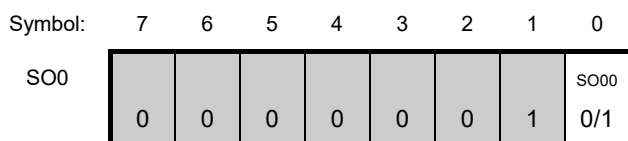
(c) Serial data register 0n (SDR0nH, SDR0nL)



(d) Serial clock output register 0 (CKO0) ... Sets only the bits of the target channel.



(e) Serial output register 0 (SO0) ... Sets only the bits of the target channel.



(Remarks are listed on the next page.)

Figure 11-38. Example of Contents of Registers for Master Transmission/Reception of 3-Wire Serial I/O (CSI00) (2/2)

(f) Serial output enable register 0 (SOE0) ... Sets only the bits of the target channel to 1.

Symbol: 7 6 5 4 3 2 1 0

SOE0

0	0	0	0	0	0	0	0	SOE00 0/1
---	---	---	---	---	---	---	---	--------------

(g) Serial channel start register 0 (SS0) ... Sets only the bits of the target channel to 1.

Symbol: 7 6 5 4 3 2 1 0

SS0

0	0	0	0	0	0	0	SS01 0/1	SS00 0/1
---	---	---	---	---	---	---	-------------	-------------

Remarks 1. n = 0, p: CSI number (p = 00)

2. : Setting is fixed in the CSI master transmission/reception mode

: Setting disabled (set to the initial value)

×: Bit that cannot be used in this mode (set to the initial value when not used in any mode)

0/1: Set to 0 or 1 depending on the usage of the user

(2) Operation procedure

Figure 11-39. Initial Setting Procedure for Master Transmission/Reception

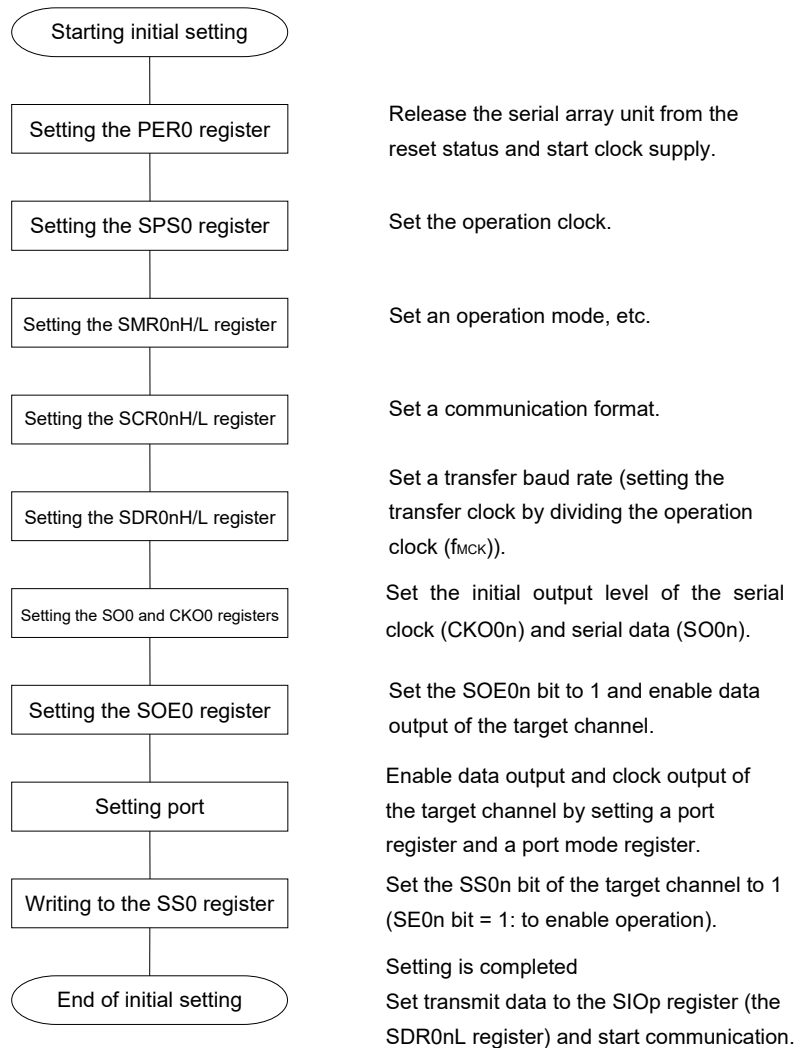


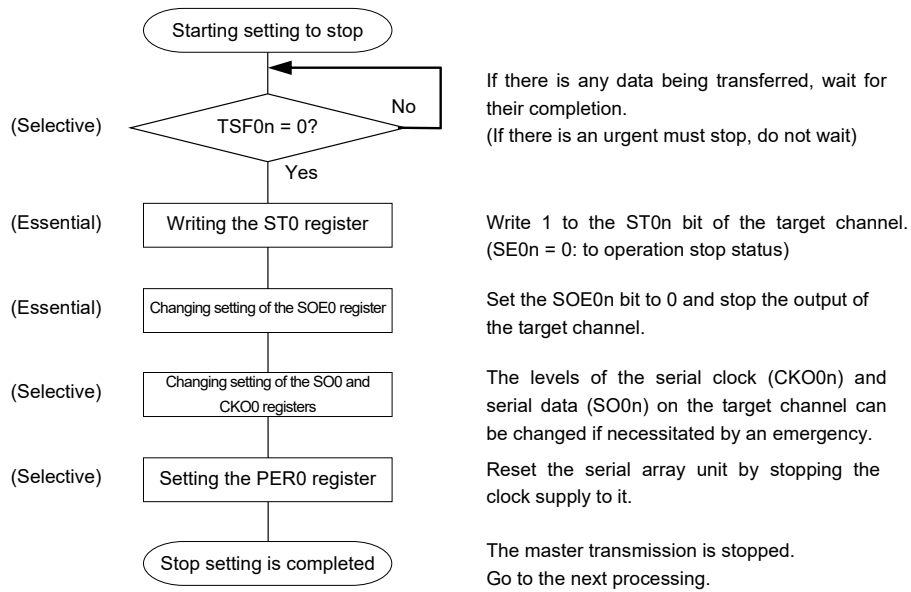
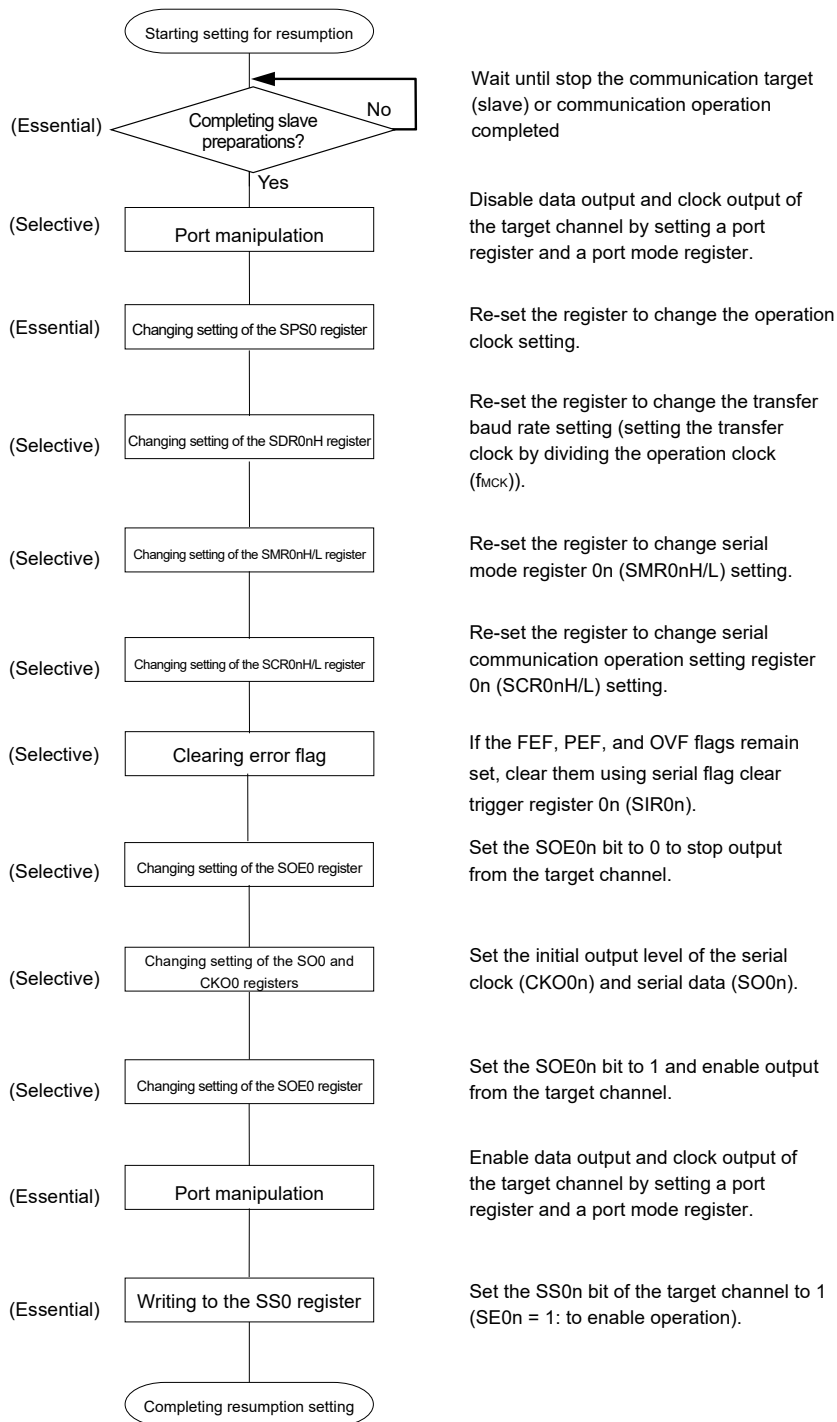
Figure 11-40. Procedure for Stopping Master Transmission/Reception

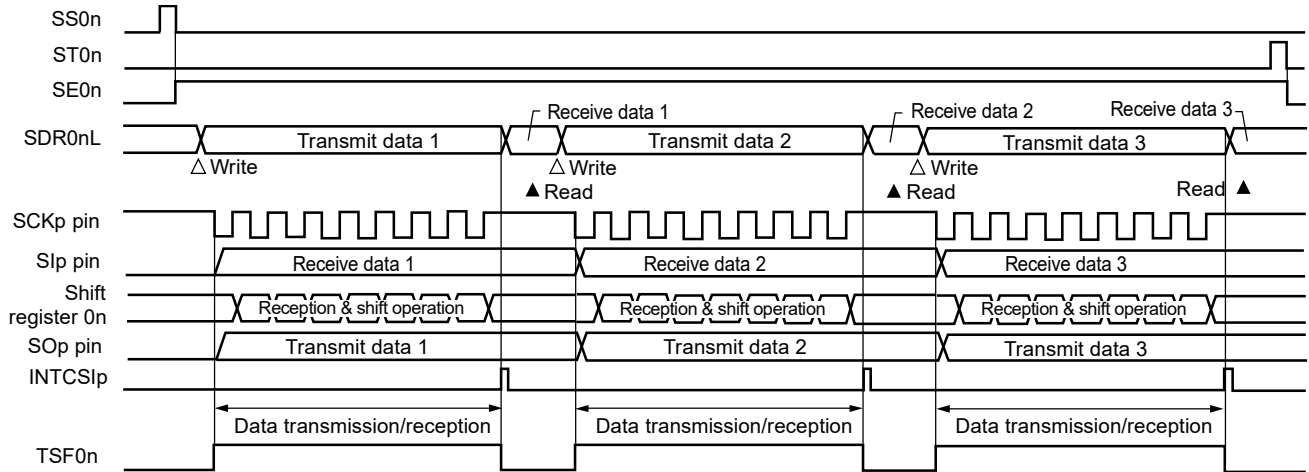
Figure 11-41. Procedure for Resuming Master Transmission/Reception



Remark If PER0 is rewritten while stopping the master transmission and the clock supply is stopped, wait until the transmission target (slave) stops or transmission finishes, and then perform initialization instead of restarting the transmission.

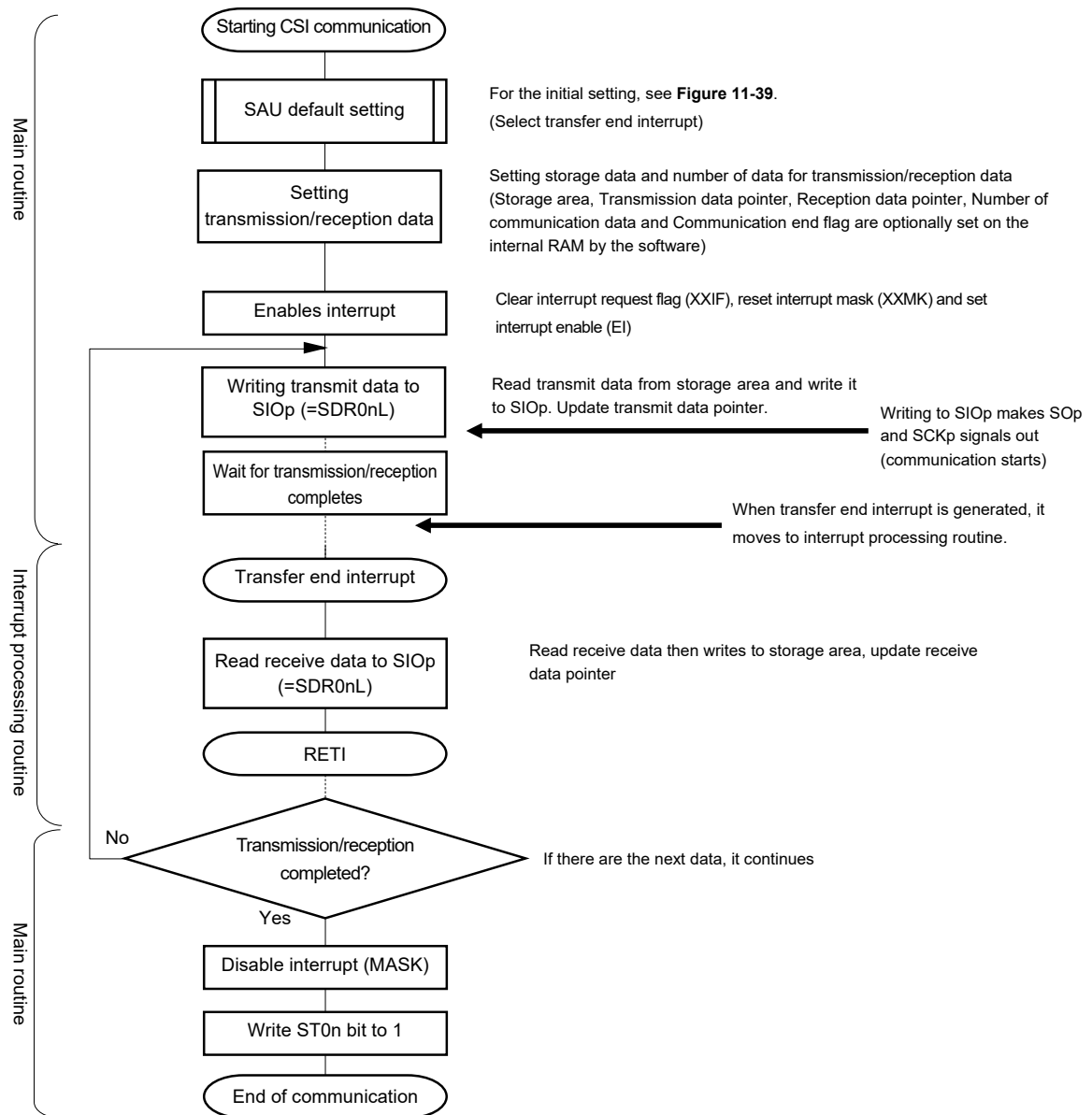
(3) Processing flow (in single-transmission/reception mode)

Figure 11-42. Timing Chart of Master Transmission/Reception (in Single-Transmission/Reception Mode)
 (Type 1: DAP0n = 0, CKP0n = 0)



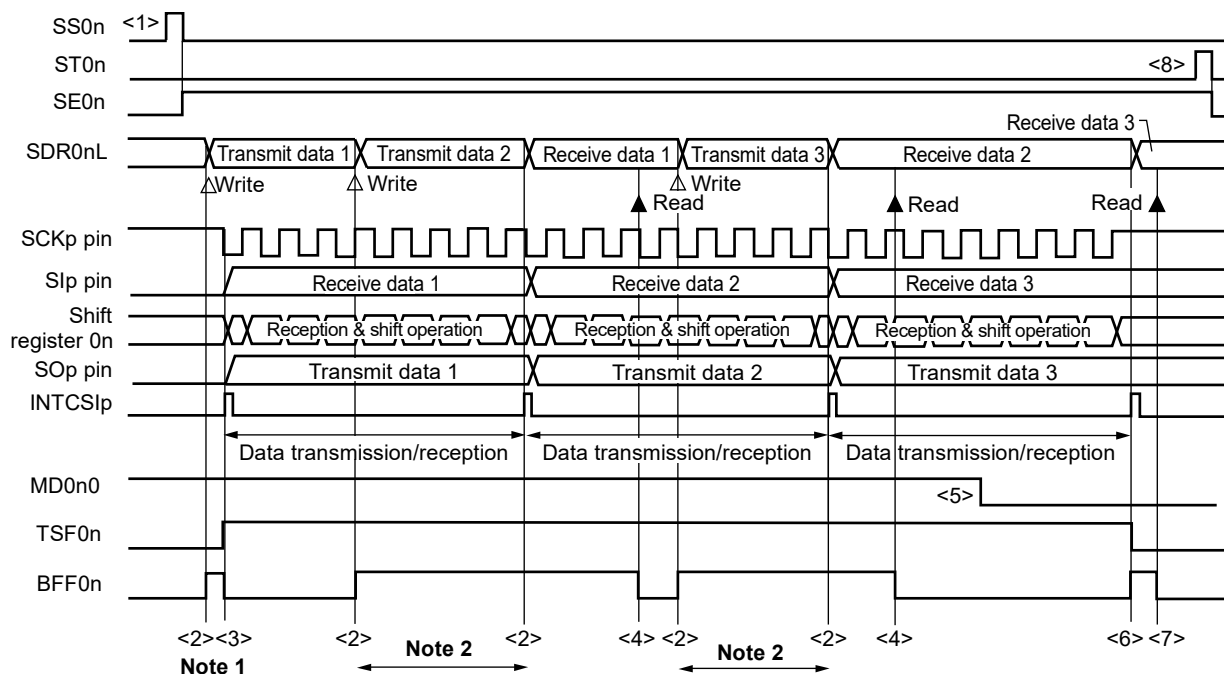
Remark n = 0, p: CSI number (p = 00)

Figure 11-43. Flowchart of Master Transmission/Reception (in Single-Transmission/Reception Mode)



(4) Processing flow (in continuous transmission/reception mode)

Figure 11-44. Timing Chart of Master Transmission/Reception (in Continuous Transmission/Reception Mode)
(Type 1: DAP0n = 0, CKP0n = 0)

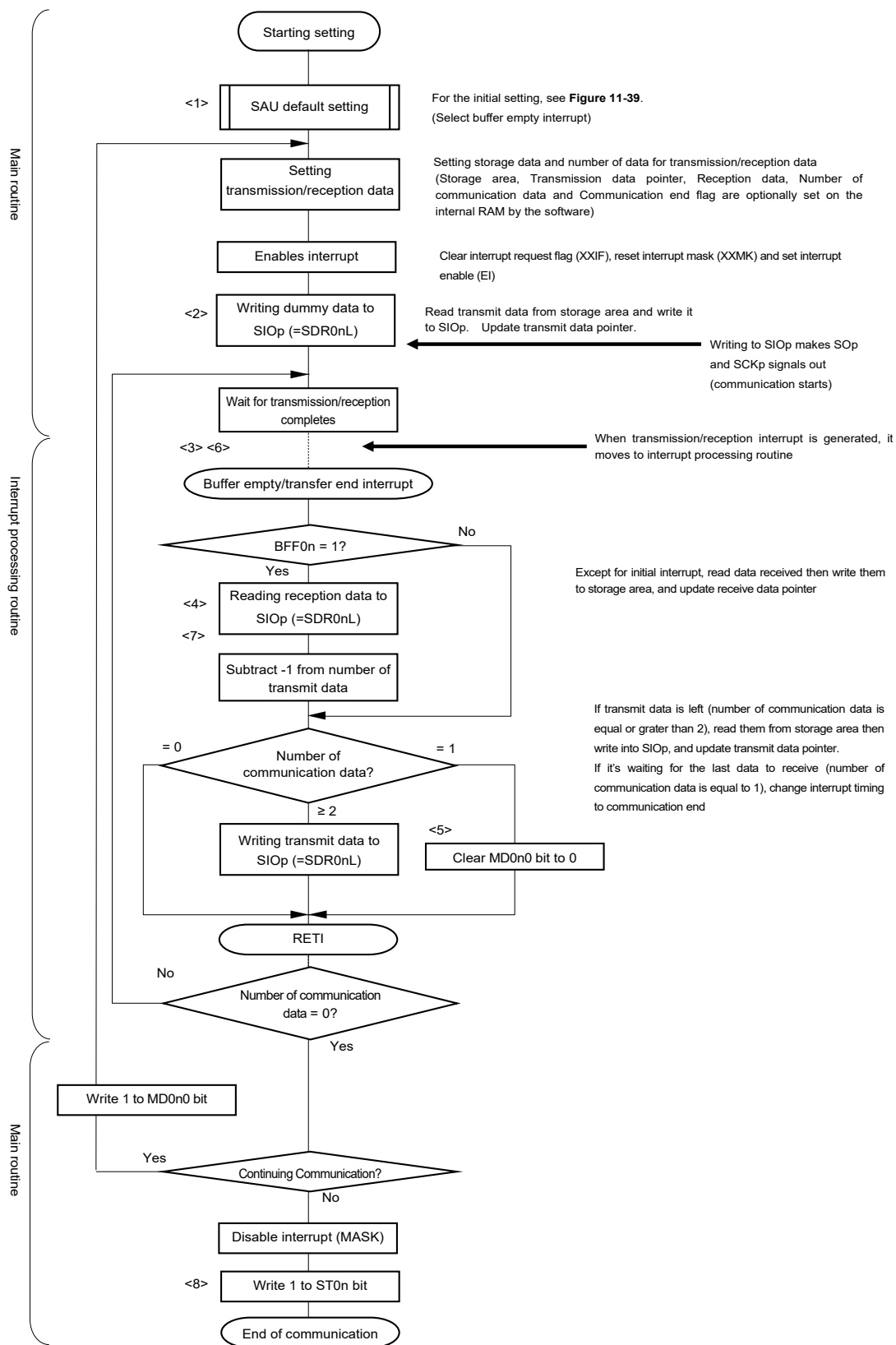


- Notes**
1. If transmit data is written to the SDR0nL register while the BFF0n bit of serial status register 0n (SSR0n) is 1 (valid data is stored in serial data register 0n (SDR0nL)), the transmit data is overwritten.
 2. The transmit data can be read by reading the SDR0nL register during this period. At this time, the transfer operation is not affected.

Caution The MD0n0 bit of serial mode register 0n (SMR0nL) can be rewritten even during operation. However, rewrite it before transfer of the last bit is started, so that it has been rewritten before the transfer end interrupt of the last transmit data.

- Remarks**
1. <1> to <8> in the figure correspond to <1> to <8> in **Figure 11-45 Flowchart of Master Transmission/Reception (in Continuous Transmission/Reception Mode)**.
 2. n = 0, p: CSI number (p = 00)

Figure 11-45. Flowchart of Master Transmission/Reception (in Continuous Transmission/Reception Mode)



Remark <1> to <8> in the figure correspond to <1> to <8> in Figure 11-44 Timing Chart of Master Transmission/Reception (in Continuous Transmission/Reception Mode).

11.5.4 Slave transmission

Slave transmission is that the R7F0C806-809 transmit data to another device in the state of a transfer clock being input from another device.

3-Wire Serial I/O	CSI00
Target channel	Channel 0 of SAU0
Pins used	SCK00, SO00
Interrupt	INTCSI00
	Transfer end interrupt (in single-transfer mode) or buffer empty interrupt (in continuous transfer mode) can be selected.
Error detection flag	Overrun error detection flag (OVF0n) only
Transfer data length	7 or 8 bits
Transfer rate	Max. $f_{MCK}/6$ [Hz] ^{Notes 1, 2}
Data phase	Selectable by the DAP0n bit of the SCR0nH register <ul style="list-style-type: none"> • DAP0n = 0: Data output starts at the start of the operation of the serial clock. • DAP0n = 1: Data output starts half a clock before the start of the serial clock operation.
Clock phase	Selectable by the CKP0n bit of the SCR0nH register <ul style="list-style-type: none"> • CKP0n = 0: Non-inversion • CKP0n = 1: Inverted
Data direction	MSB or LSB first

Notes 1. Because the external serial clock input to the SCK00 pin is sampled internally and used, the fastest transfer rate is $f_{MCK}/6$ [Hz].

2. Use this operation within a range that satisfies the conditions above and the AC characteristics in the electrical specifications (see **CHAPTER 23 ELECTRICAL SPECIFICATIONS**).

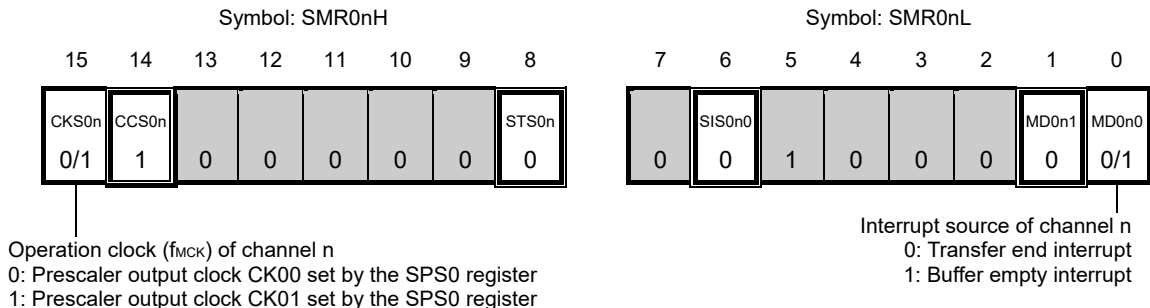
Remarks 1. f_{MCK} : Operation clock frequency of target channel

2. $n = 0$

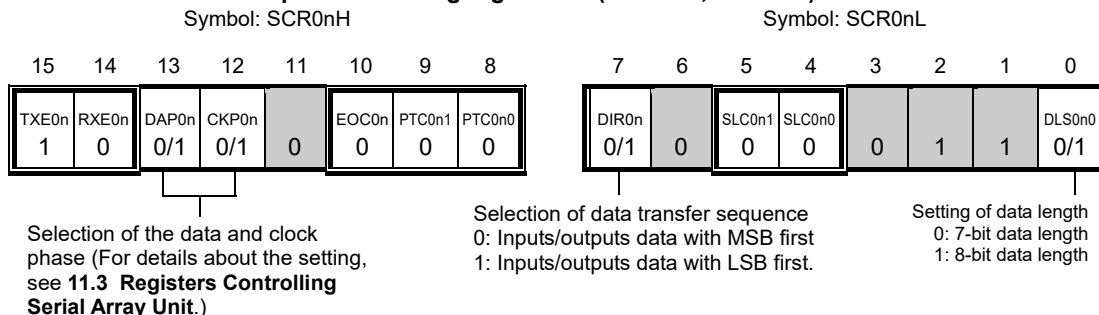
(1) Register setting

Figure 11-46. Example of Contents of Registers for Slave Transmission of 3-Wire Serial I/O (CSI00) (1/2)

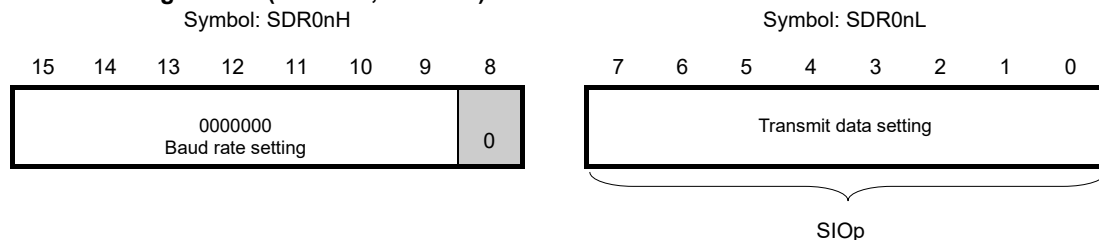
(a) Serial mode register 0n (SMR0nH, SMR0nL)



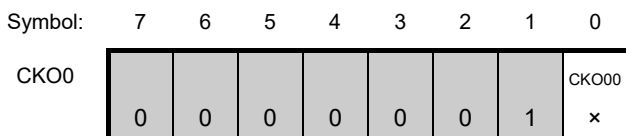
(b) Serial communication operation setting register 0n (SCR0nH, SCR0nL)



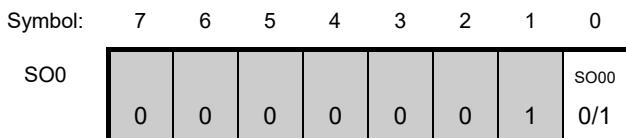
(c) Serial data register 0n (SDR0nH, SDR0nL)



(d) Serial clock output register 0 (CKO0) ... The Register that not used in this mode.



(e) Serial output register 0 (SO0) ... Sets only the bits of the target channel.



(Remarks are listed on the next page.)

Figure 11-46. Example of Contents of Registers for Slave Transmission of 3-Wire Serial I/O (CSI00) (2/2)**(f) Serial output enable register 0 (SOE0) ... Sets only the bits of the target channel to 1.**

Symbol:	7	6	5	4	3	2	1	0
SOE0	0	0	0	0	0	0	0	SOE00 0/1

(g) Serial channel start register 0 (SS0) ... Sets only the bits of the target channel to 1.

Symbol:	7	6	5	4	3	2	1	0
SS0	0	0	0	0	0	0	SS01 0/1	SS00 0/1

Remarks 1. n = 0 p: CSI number (p = 00)

2. : Setting is fixed in the CSI master transmission mode, : Setting disabled (set to the initial value)
 ×: Bit that cannot be used in this mode (set to the initial value when not used in any mode)
 0/1: Set to 0 or 1 depending on the usage of the user

(2) Operation procedure

Figure 11-47. Initial Setting Procedure for Slave Transmission

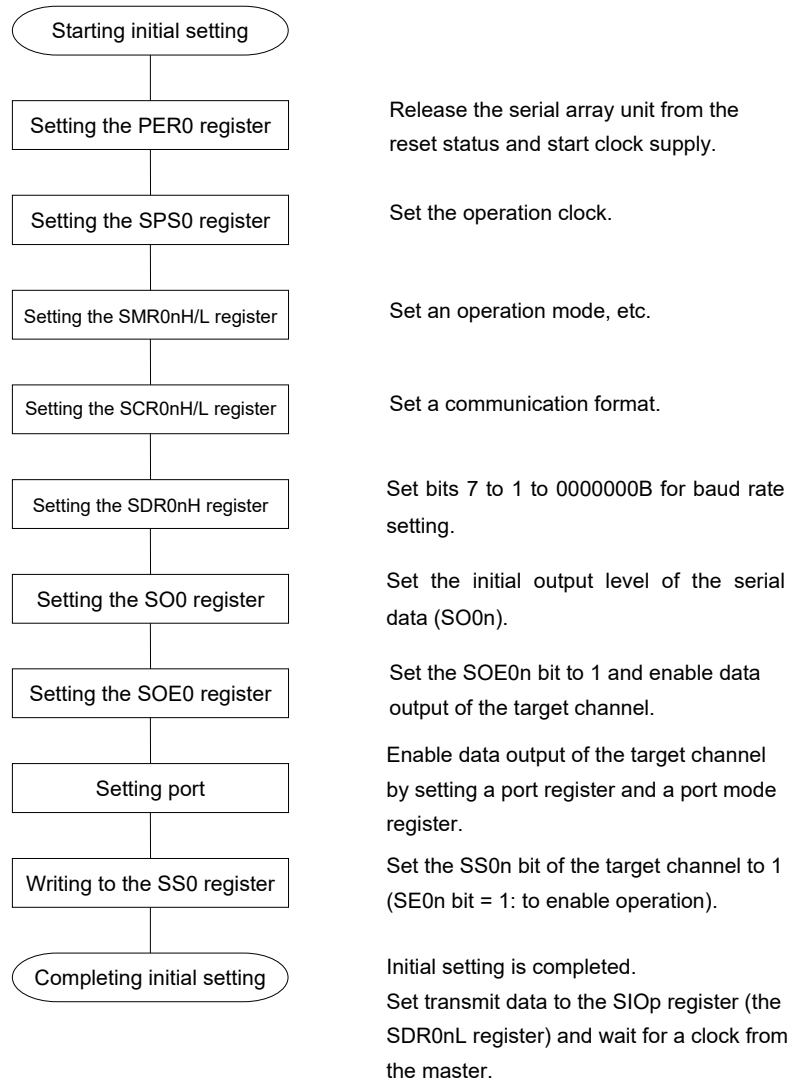


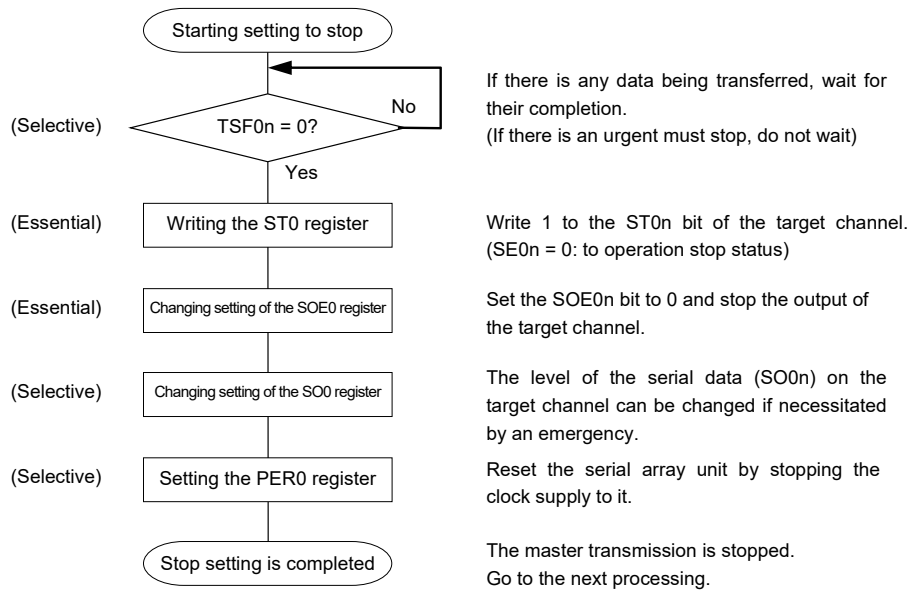
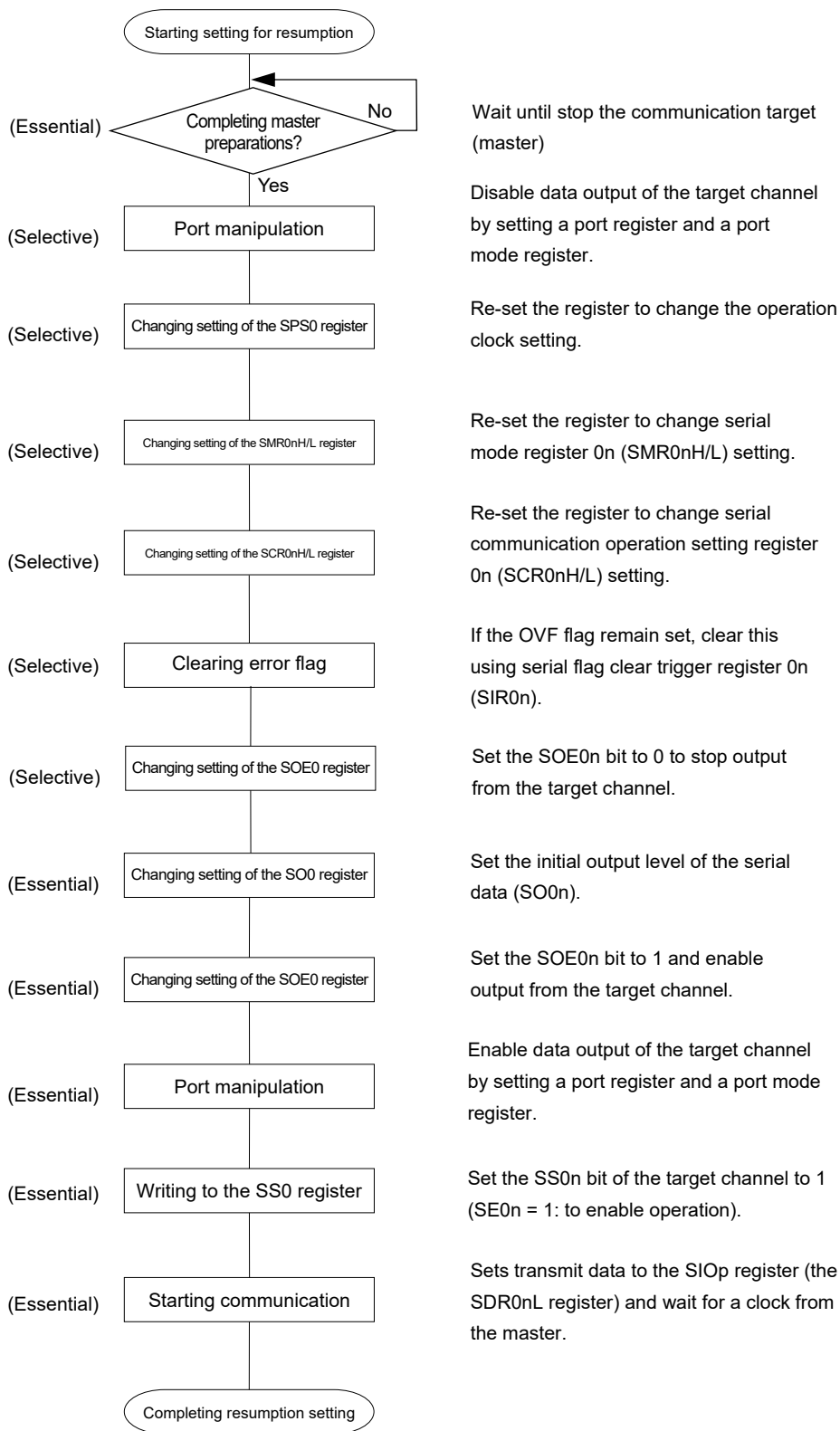
Figure 11-48. Procedure for Stopping Slave Transmission

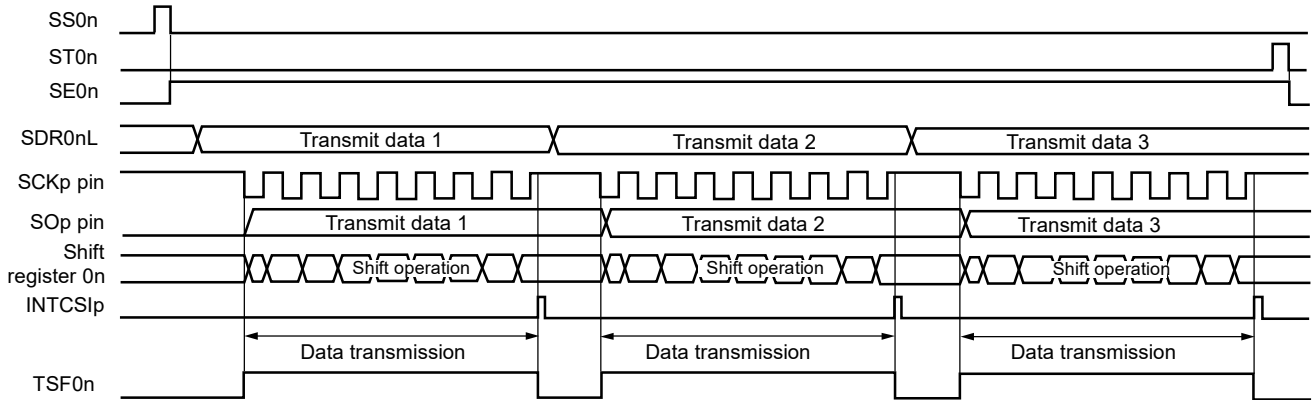
Figure 11-49. Procedure for Resuming Slave Transmission



Remark If PER0 is rewritten while stopping the master transmission and the clock supply is stopped, wait until the transmission target (master) stops or transmission finishes, and then perform initialization instead of restarting the transmission.

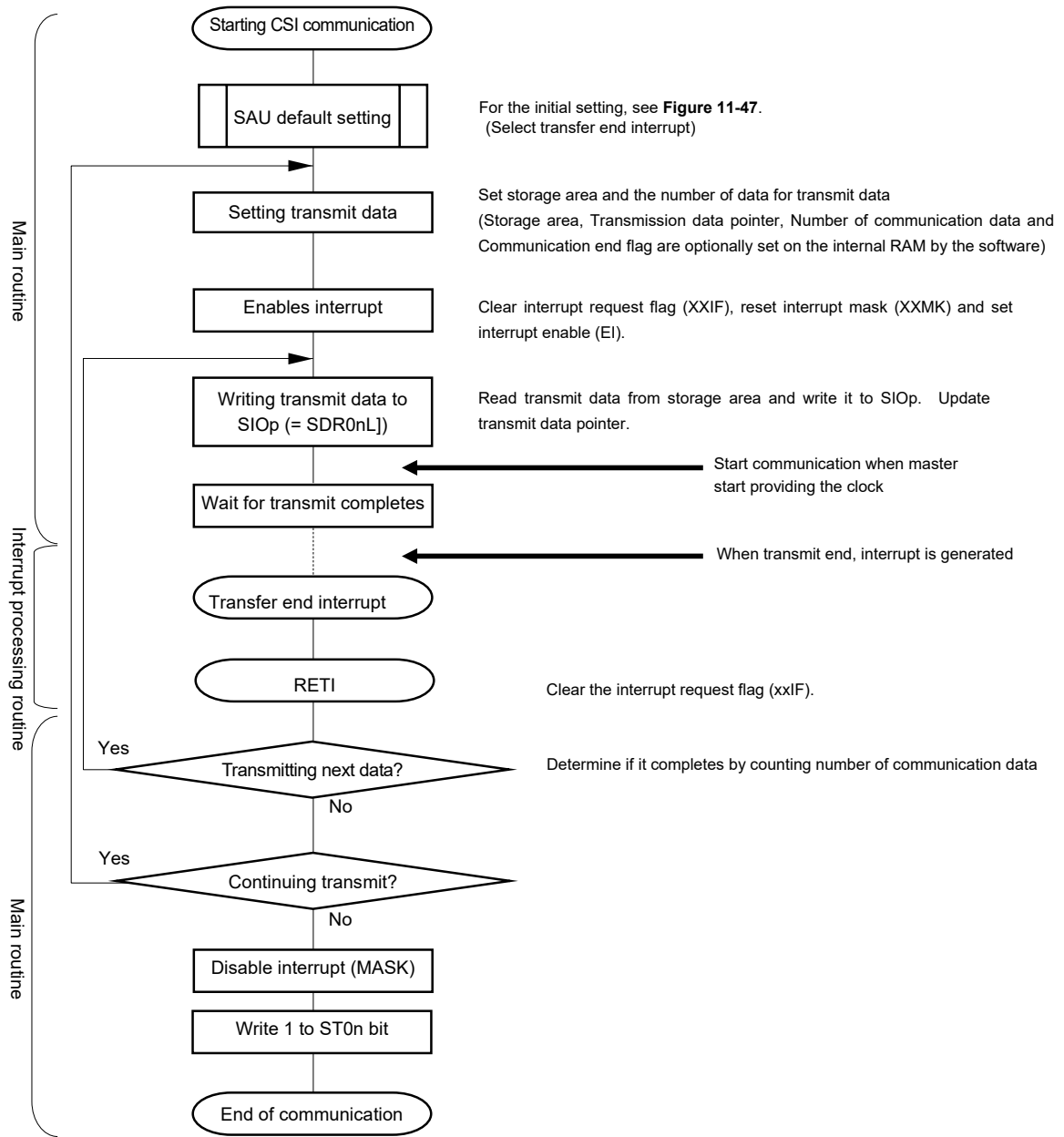
(3) Processing flow (in single-transmission mode)

Figure 11-50. Timing Chart of Slave Transmission (in Single-Transmission Mode)
 (Type 1: DAP0n = 0, CKP0n = 0)



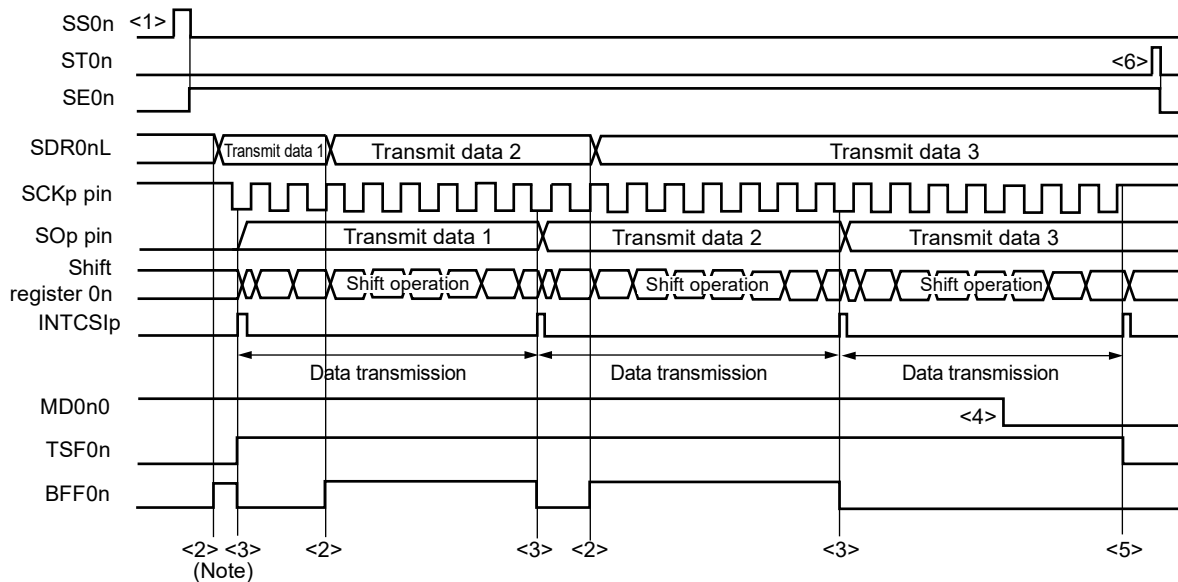
Remark n = 0, p: CSI number (p = 00)

Figure 11-51. Flowchart of Slave Transmission (in Single-Transmission Mode)



(4) Processing flow (in continuous transmission mode)

Figure 11-52. Timing Chart of Slave Transmission (in Continuous Transmission Mode)
(Type 1: DAP0n = 0, CKP0n = 0)

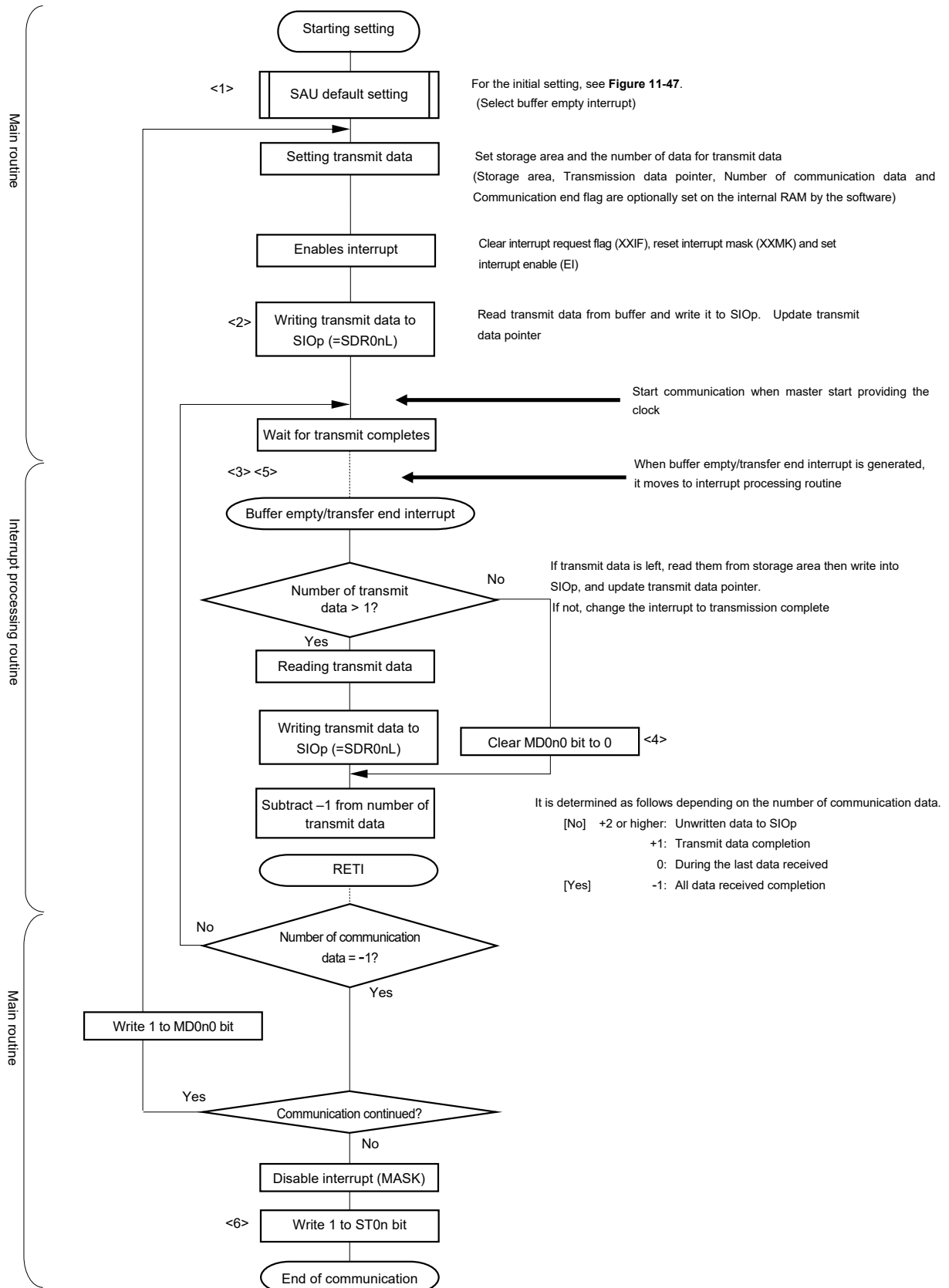


Note If transmit data is written to the SDR0nL register while the BFF0n bit of serial status register 0n (SSR0n) is 1 (valid data is stored in serial data register 0n (SDR0nL)), the transmit data is overwritten.

Caution The MD0n0 bit of serial mode register 0n (SMR0nL) can be rewritten even during operation. However, rewrite it before transfer of the last bit is started.

Remark n = 0, p: CSI number (p = 00)

Figure 11-53. Flowchart of Slave Transmission (in Continuous Transmission Mode)



Remark <1> to <6> in the figure correspond to <1> to <6> in Figure 11-52 Timing Chart of Slave Transmission (in Continuous Transmission Mode).

11.5.5 Slave reception

Slave reception is that the R7F0C806-809 receive data from another device in the state of a transfer clock being input from another device.

3-Wire Serial I/O	CSI00
Target channel	Channel 0 of SAU0
Pins used	SCK00, SI00
Interrupt	INTCSI00
	Transfer end interrupt (in single-transfer mode) or buffer empty interrupt (in continuous transfer mode) can be selected.
Error detection flag	Overrun error detection flag (OVF0n) only
Transfer data length	7 or 8 bits
Transfer rate	Max. $f_{MCK}/6$ [Hz] ^{Notes 1, 2}
Data phase	Selectable by the DAP0n bit of the SCR0nH register <ul style="list-style-type: none"> • DAP0n = 0: Data output starts at the start of the operation of the serial clock. • DAP0n = 1: Data output starts half a clock before the start of the serial clock operation.
Clock phase	Selectable by the CKP0n bit of the SCR0nH register <ul style="list-style-type: none"> • CKP0n = 0: Non-inversion • CKP0n = 1: Inverted
Data direction	MSB or LSB first

Notes 1. Because the external serial clock input to the SCK00 pin is sampled internally and used, the fastest transfer rate is $f_{MCK}/6$ [Hz].

2. Use this operation within a range that satisfies the conditions above and the AC characteristics in the electrical specifications (see **CHAPTER 23 ELECTRICAL SPECIFICATIONS**).

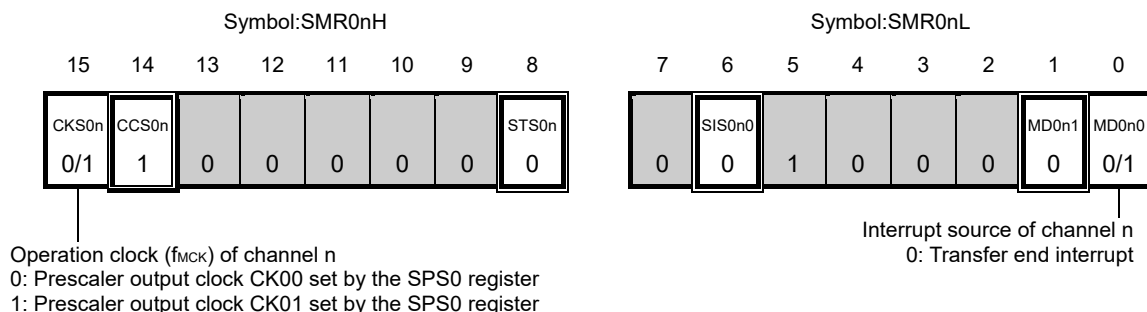
Remarks 1. f_{MCK} : Operation clock frequency of target channel

2. $n = 0$

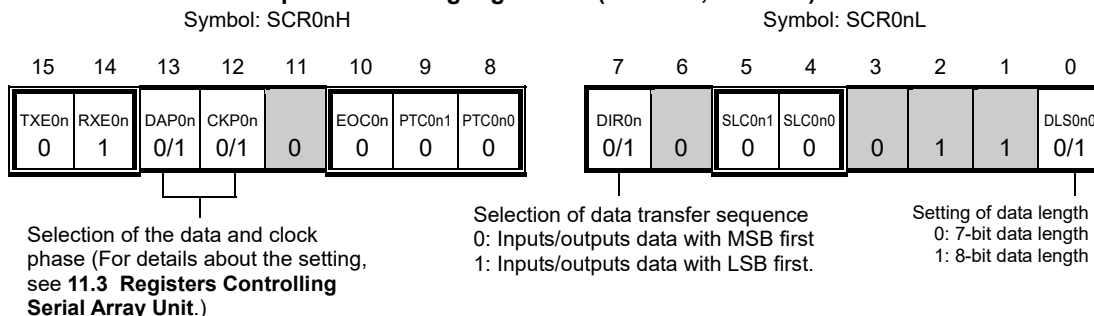
(1) Register setting

Figure 11-54. Example of Contents of Registers for Slave Reception of 3-Wire Serial I/O (CSI00) (1/2)

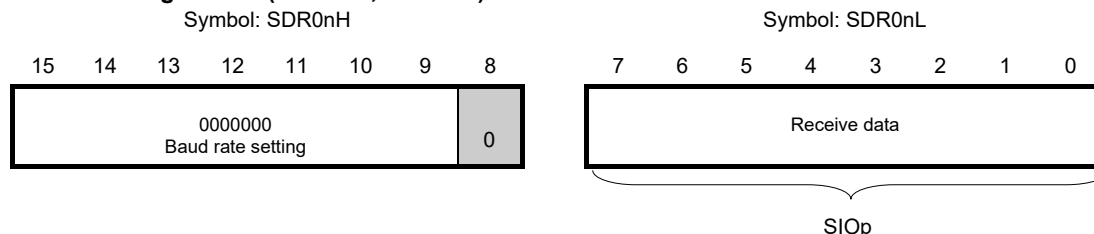
(a) Serial mode register 0n (SMR0nH, SMR0nL)



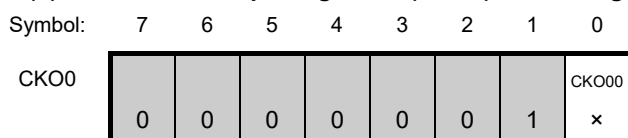
(b) Serial communication operation setting register 0n (SCR0nH, SCR0nL)



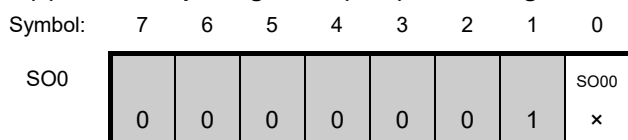
(c) Serial data register 0n (SDR0nH, SDR0nL)



(d) Serial clock output register 0 (CKO0) ... The Register that not used in this mode.



(e) Serial output register 0 (SO0) ... The Register that not used in this mode.



(Remarks are listed on the next page.)

Figure 11-54. Example of Contents of Registers for Slave Reception of 3-Wire Serial I/O (CSI00) (2/2)**(f) Serial output enable register 0 (SOE0) ... The Register that not used in this mode.**

Symbol: 7 6 5 4 3 2 1 0

SOE0								SOE00
	0	0	0	0	0	0	0	x

(g) Serial channel start register 0 (SS0) ... Sets only the bits of the target channel to 1.

Symbol: 7 6 5 4 3 2 1 0

SS0							SS01	SS00
	0	0	0	0	0	0	0/1	0/1

Remarks 1. n = 0, p: CSI number (p = 00)

2. : Setting is fixed in the CSI master transmission mode, : Setting disabled (set to the initial value)
 x: Bit that cannot be used in this mode (set to the initial value when not used in any mode)
 0/1: Set to 0 or 1 depending on the usage of the user

(2) Operation procedure

Figure 11-55. Initial Setting Procedure for Slave Reception

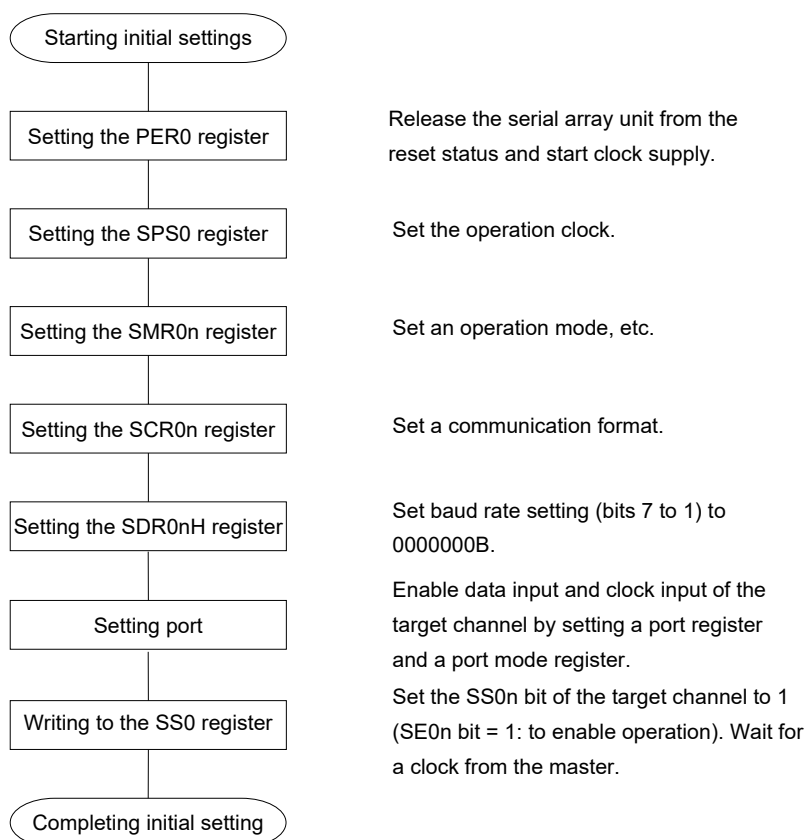


Figure 11-56. Procedure for Stopping Slave Reception

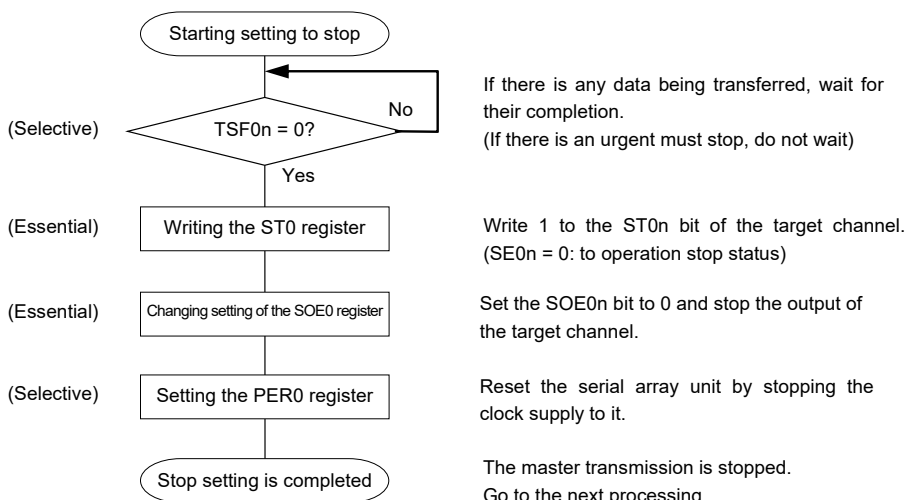
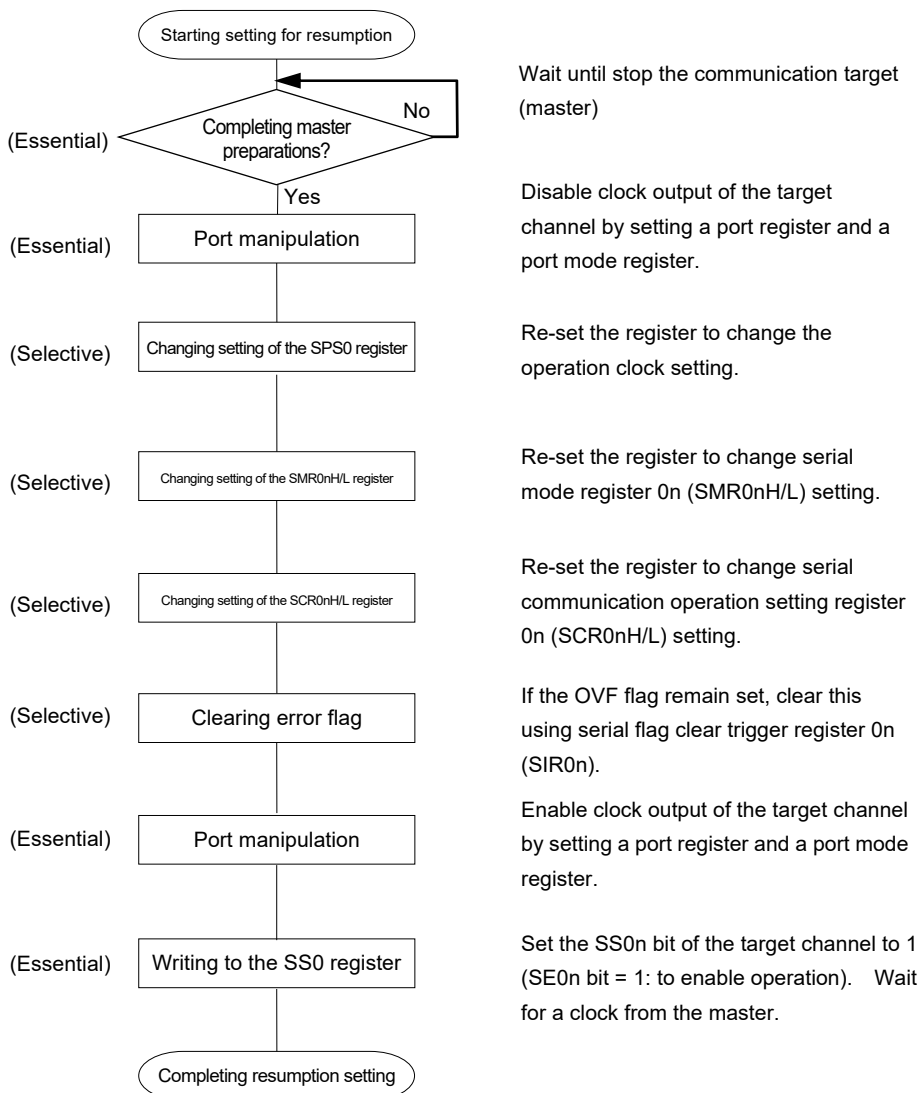


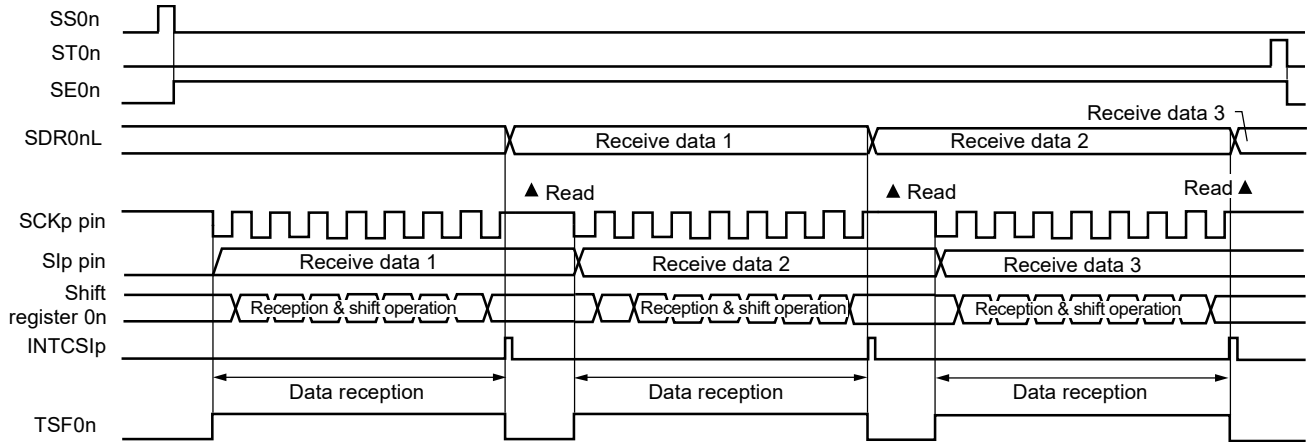
Figure 11-57. Procedure for Resuming Slave Reception



Remark If PER0 is rewritten while stopping the master transmission and the clock supply is stopped, wait until the transmission target (master) stops or transmission finishes, and then perform initialization instead of restarting the transmission.

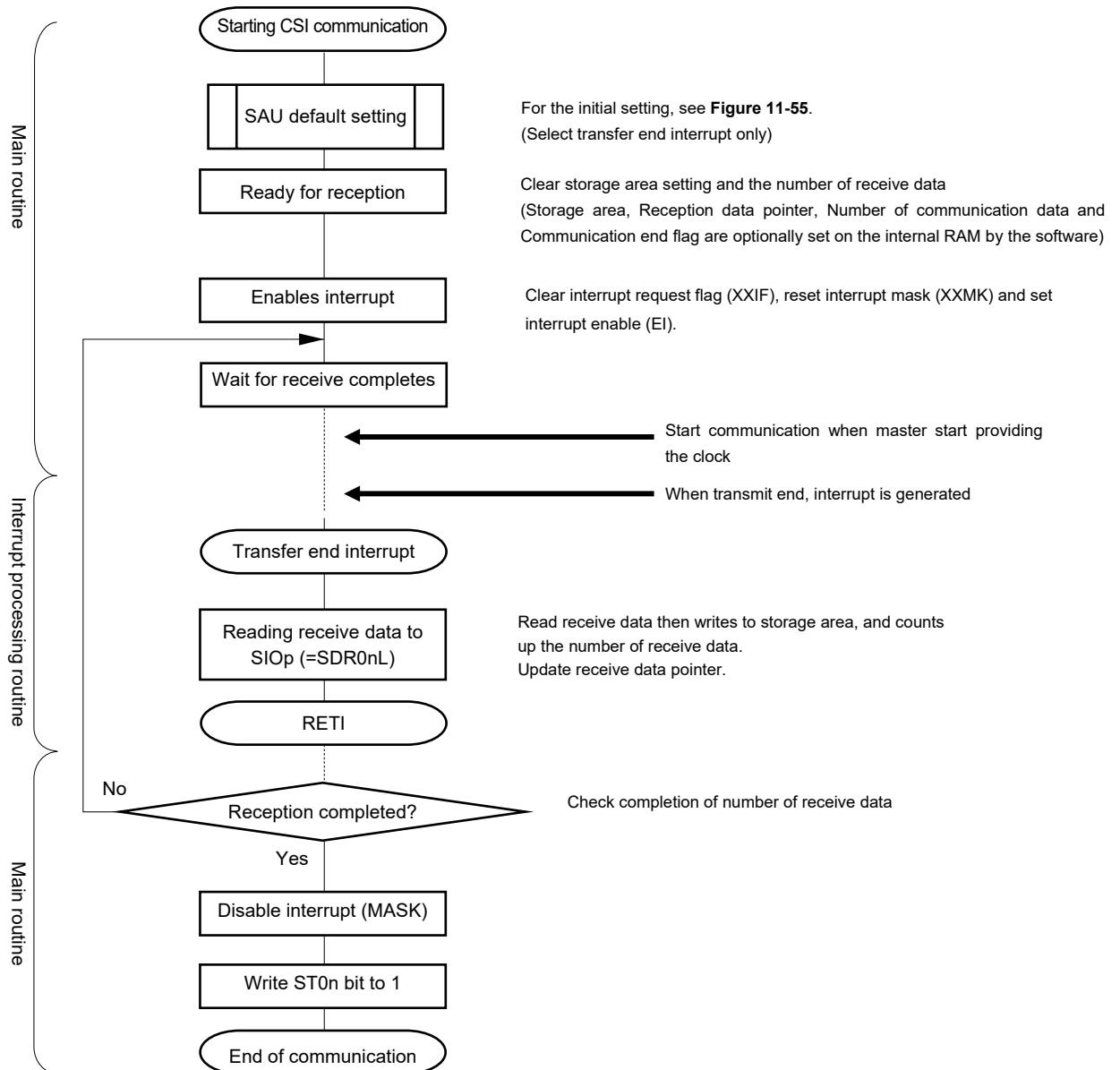
(3) Processing flow (in single-reception mode)

Figure 11-58. Timing Chart of Slave Reception (in Single-Reception Mode)
(Type 1: DAP0n = 0, CKP0n = 0)



Remark n = 0, p: CSI number (p = 00)

Figure 11-59. Flowchart of Slave Reception (in Single-Reception Mode)



11.5.6 Slave transmission/reception

Slave transmission/reception is that the R7F0C806-809 transmit/receive data to/from another device in the state of a transfer clock being input from another device.

3-Wire Serial I/O	CSI00
Target channel	Channel 0 of SAU0
Pins used	SCK00, SI00, SO00
Interrupt	INTCSI00
	Transfer end interrupt (in single-transfer mode) or buffer empty interrupt (in continuous transfer mode) can be selected.
Error detection flag	Overrun error detection flag (OVF0n) only
Transfer data length	7 or 8 bits
Transfer rate	Max. $f_{MCK}/6$ [Hz] ^{Notes 1, 2}
Data phase	Selectable by the DAP0n bit of the SCR0nH register <ul style="list-style-type: none"> • DAP0n = 0: Data output starts at the start of the operation of the serial clock. • DAP0n = 1: Data output starts half a clock before the start of the serial clock operation.
Clock phase	Selectable by the CKP0n bit of the SCR0nH register <ul style="list-style-type: none"> • CKP0n = 0: Non-inversion • CKP0n = 1: Inverted
Data direction	MSB or LSB first

Notes 1. Because the external serial clock input to the SCK00 pin is sampled internally and used, the fastest transfer rate is $f_{MCK}/6$ [Hz].

2. Use this operation within a range that satisfies the conditions above and the AC characteristics in the electrical specifications (see **CHAPTER 23 ELECTRICAL SPECIFICATIONS**).

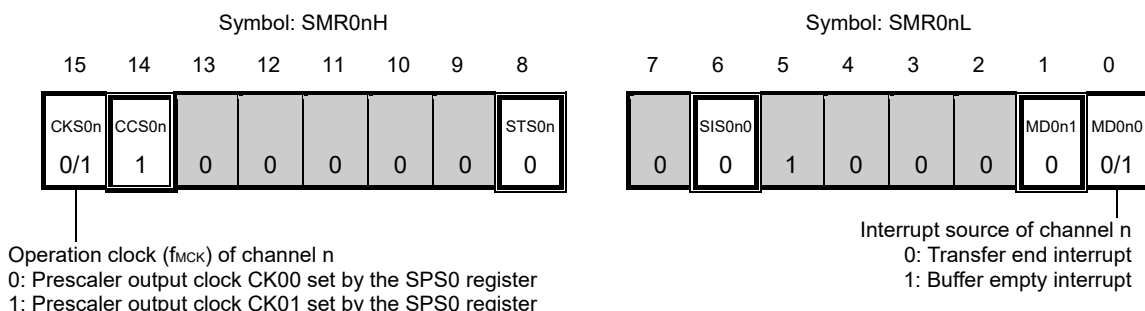
Remarks 1. f_{MCK} : Operation clock frequency of target channel

2. $n = 0$

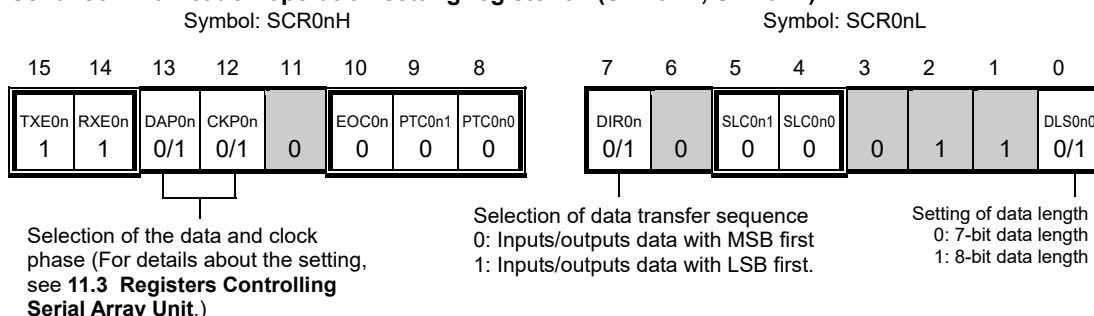
(1) Register setting

Figure 11-60. Example of Contents of Registers for Slave Transmission/Reception of 3-Wire Serial I/O (CSI00) (1/2)

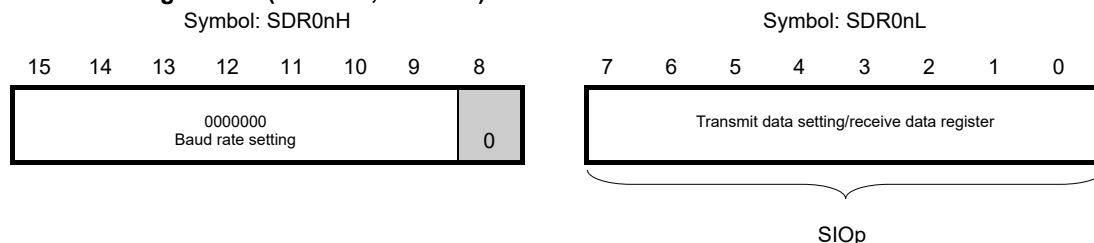
(a) Serial mode register 0n (SMR0nH, SMR0nL)



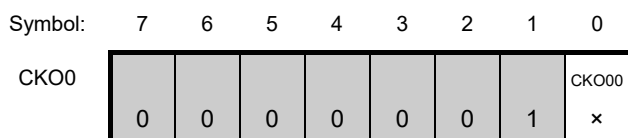
(b) Serial communication operation setting register 0n (SCR0nH, SCR0nL)



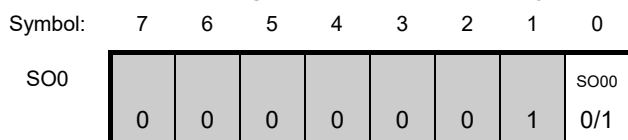
(c) Serial data register 0n (SDR0nH, SDR0nL)



(d) Serial clock output register 0 (CKO0) ... The Register that not used in this mode.



(e) Serial output register 0 (SO0) ... Sets only the bits of the target channel.



(Caution, and Remarks are listed on the next page.)

Figure 11-60. Example of Contents of Registers for Slave Transmission/Reception of 3-Wire Serial I/O (CSI00) (2/2)

(f) Serial output enable register 0 (SOE0) ... Sets only the bits of the target channel to 1.

Symbol:	7	6	5	4	3	2	1	0
SOE0	0	0	0	0	0	0	0	SOE00 0/1

(g) Serial channel start register 0 (SS0) ... Sets only the bits of the target channel to 1.

Symbol:	7	6	5	4	3	2	1	0
SS0	0	0	0	0	0	0	SS01 0/1	SS00 0/1

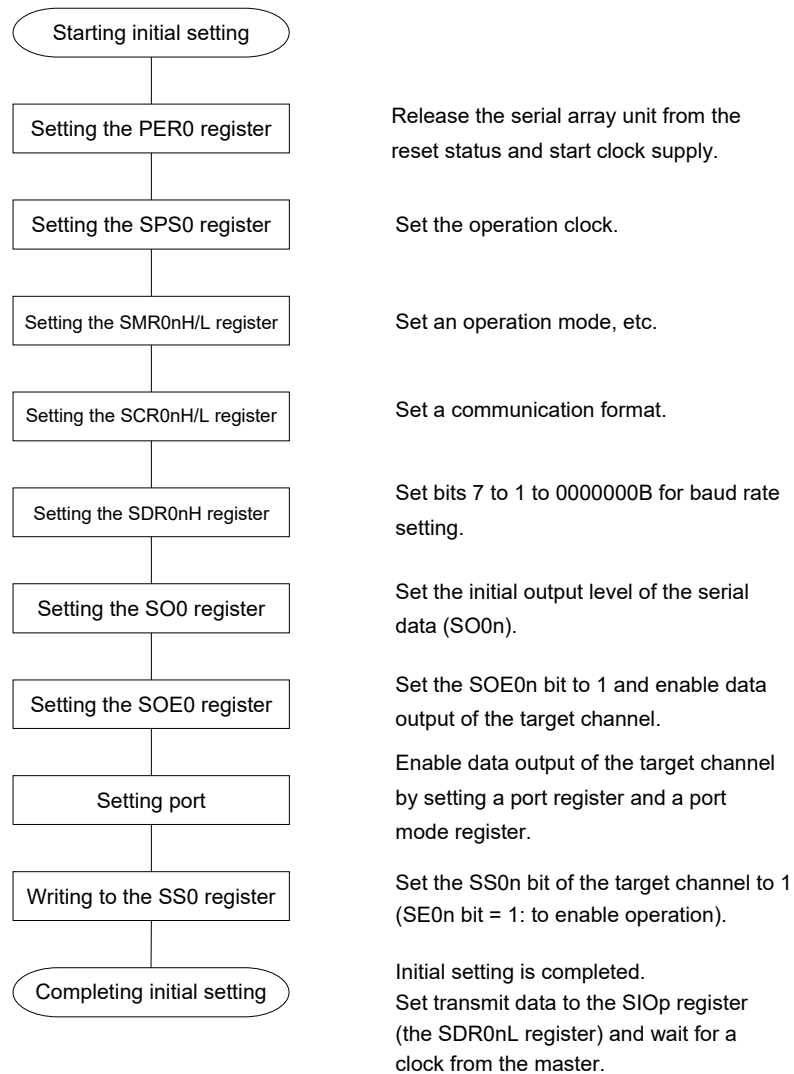
Caution Be sure to set transmit data to the SIOp register before the clock from the master is started.

Remarks 1. n = 0, p: CSI number (p = 00)

2. : Setting is fixed in the CSI master transmission mode, : Setting disabled (set to the initial value)
 ×: Bit that cannot be used in this mode (set to the initial value when not used in any mode)
 0/1: Set to 0 or 1 depending on the usage of the user

(2) Operation procedure

Figure 11-61. Initial Setting Procedure for Slave Transmission/Reception



Caution Be sure to set transmit data to the SIOp register before the clock from the master is started.

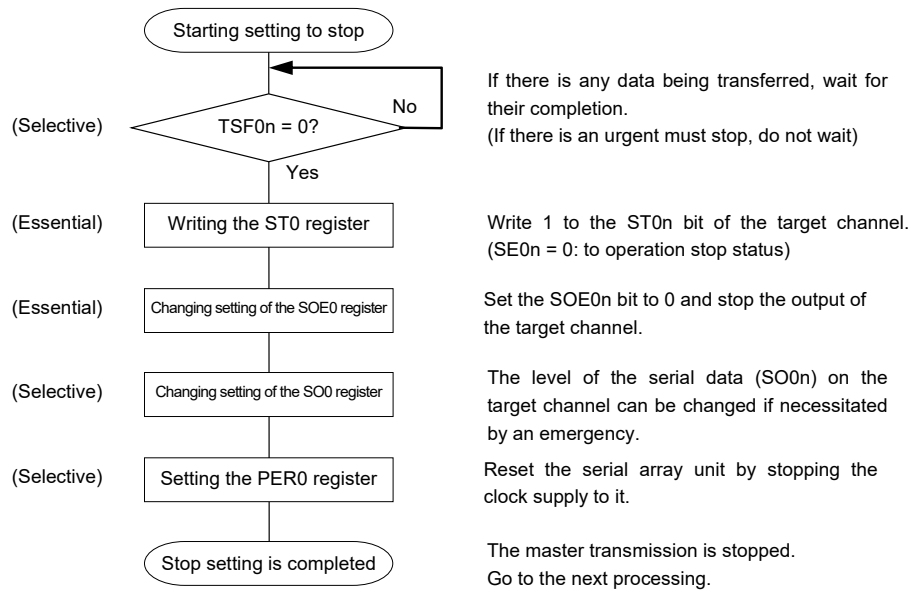
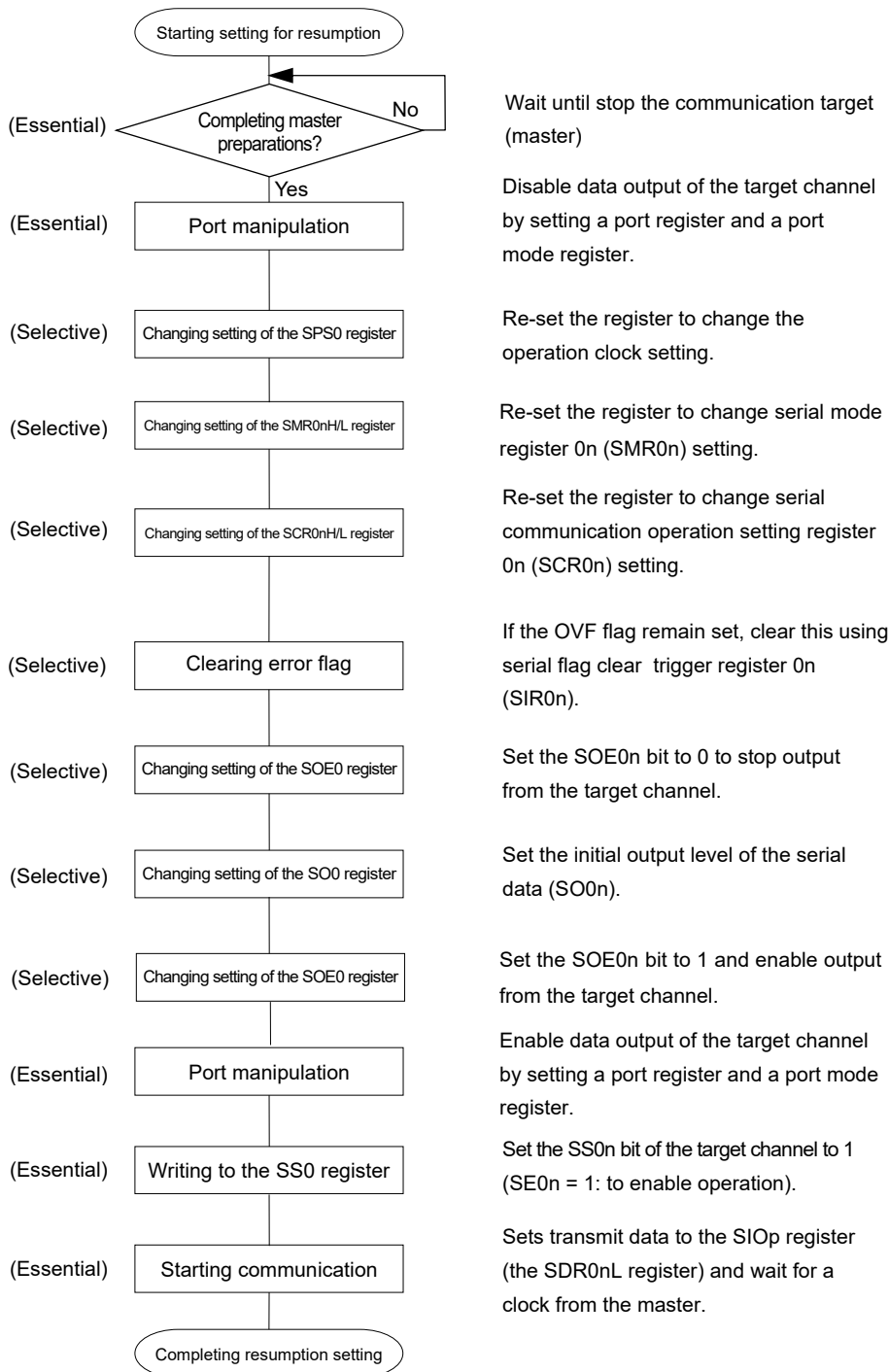
Figure 11-62. Procedure for Stopping Slave Transmission/Reception

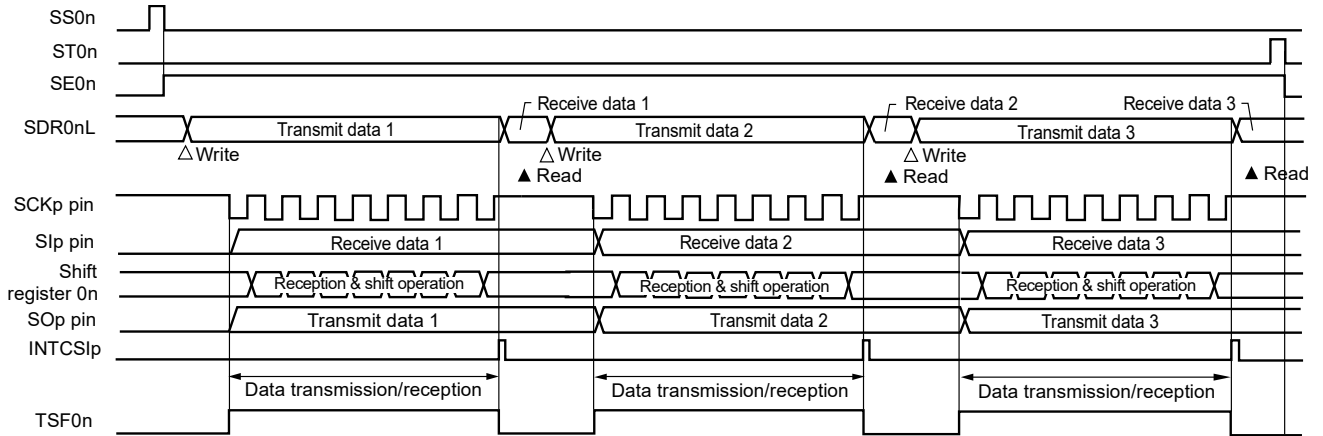
Figure 11-63. Procedure for Resuming Slave Transmission/Reception



- Cautions**
1. Be sure to set transmit data to the SIOp register before the clock from the master is started.
 2. If PER0 is rewritten while stopping the master transmission and the clock supply is stopped, wait until the transmission target (master) stops or transmission finishes, and then perform initialization instead of restarting the transmission.

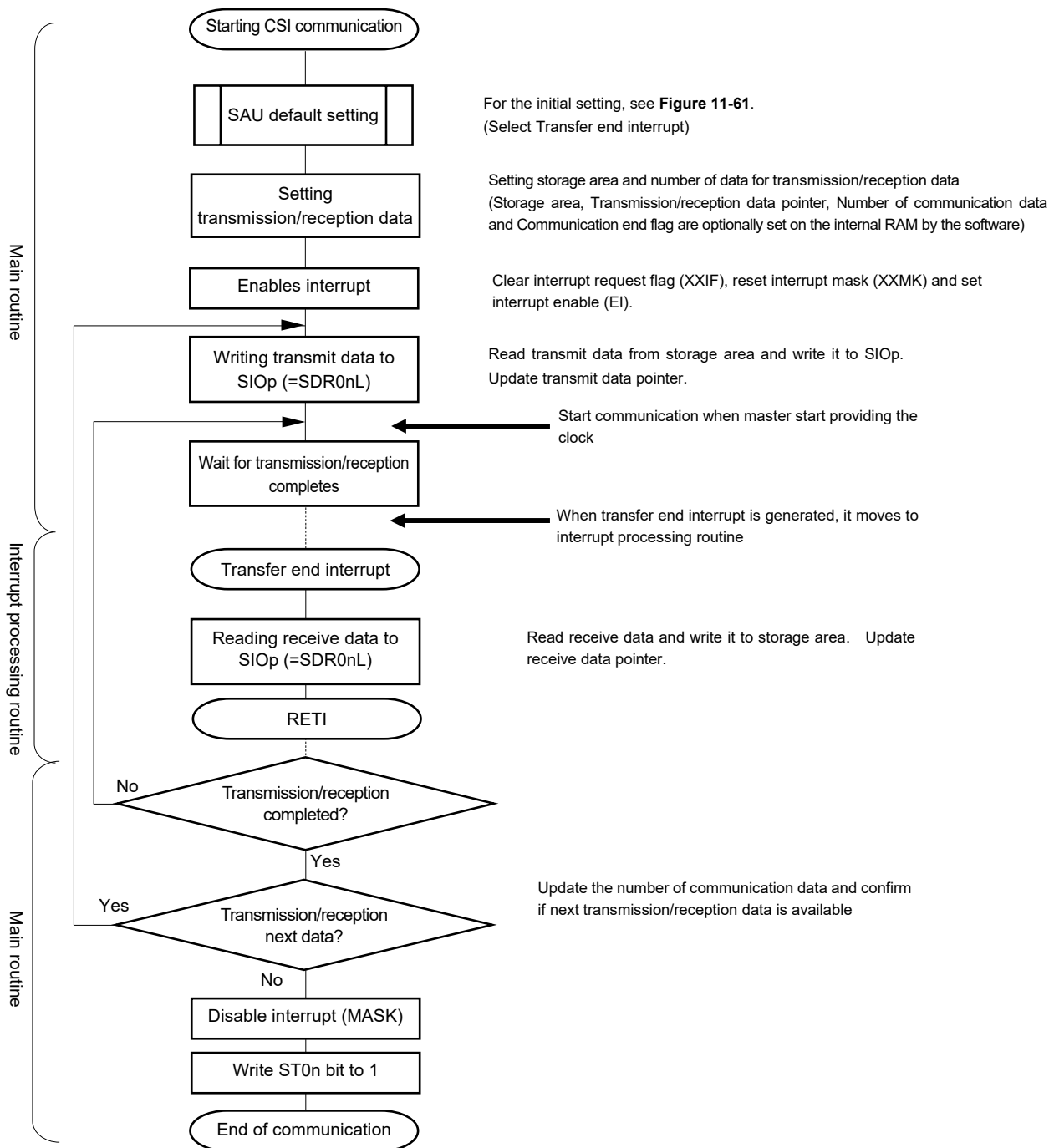
(3) Processing flow (in single-transmission/reception mode)

Figure 11-64. Timing Chart of Slave Transmission/Reception (in Single-Transmission/Reception Mode)
 (Type 1: DAP0n = 0, CKP0n = 0)



Remark n = 0, p: CSI number (p = 00)

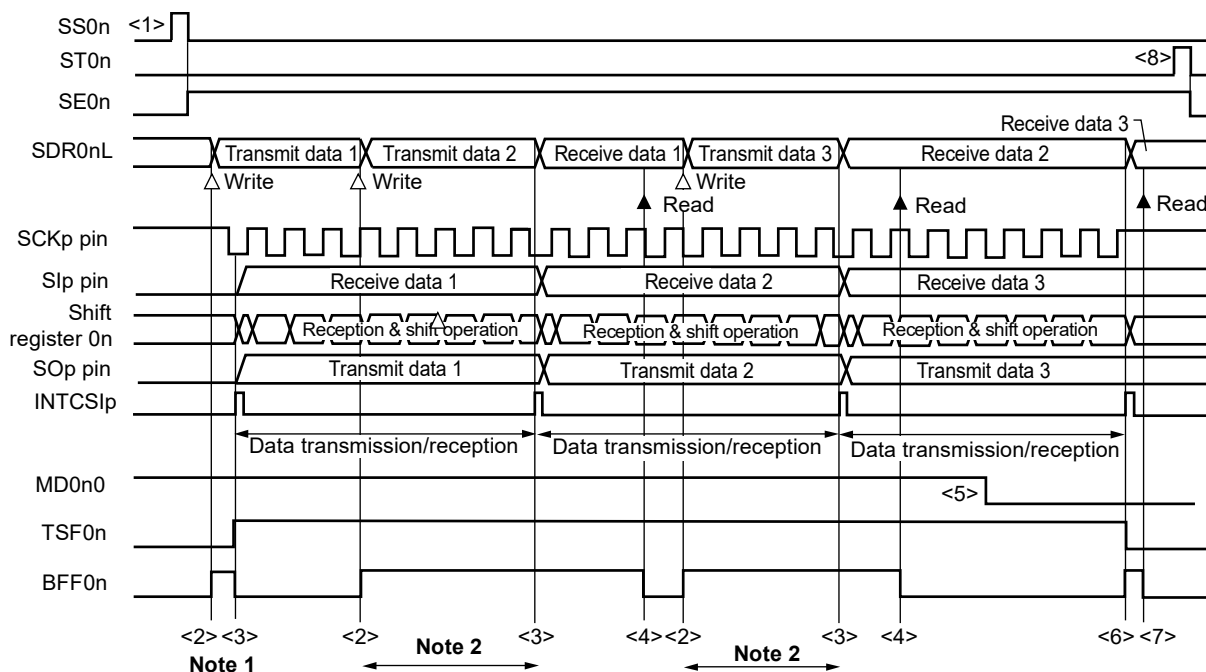
Figure 11-65. Flowchart of Slave Transmission/Reception (in Single-Transmission/Reception Mode)



Caution Be sure to set transmit data to the SIOp register before the clock from the master is started.

(4) Processing flow (in continuous transmission/reception mode)

Figure 11-66. Timing Chart of Slave Transmission/Reception (in Continuous Transmission/Reception Mode)
(Type 1: DAP0n = 0, CKP0n = 0)



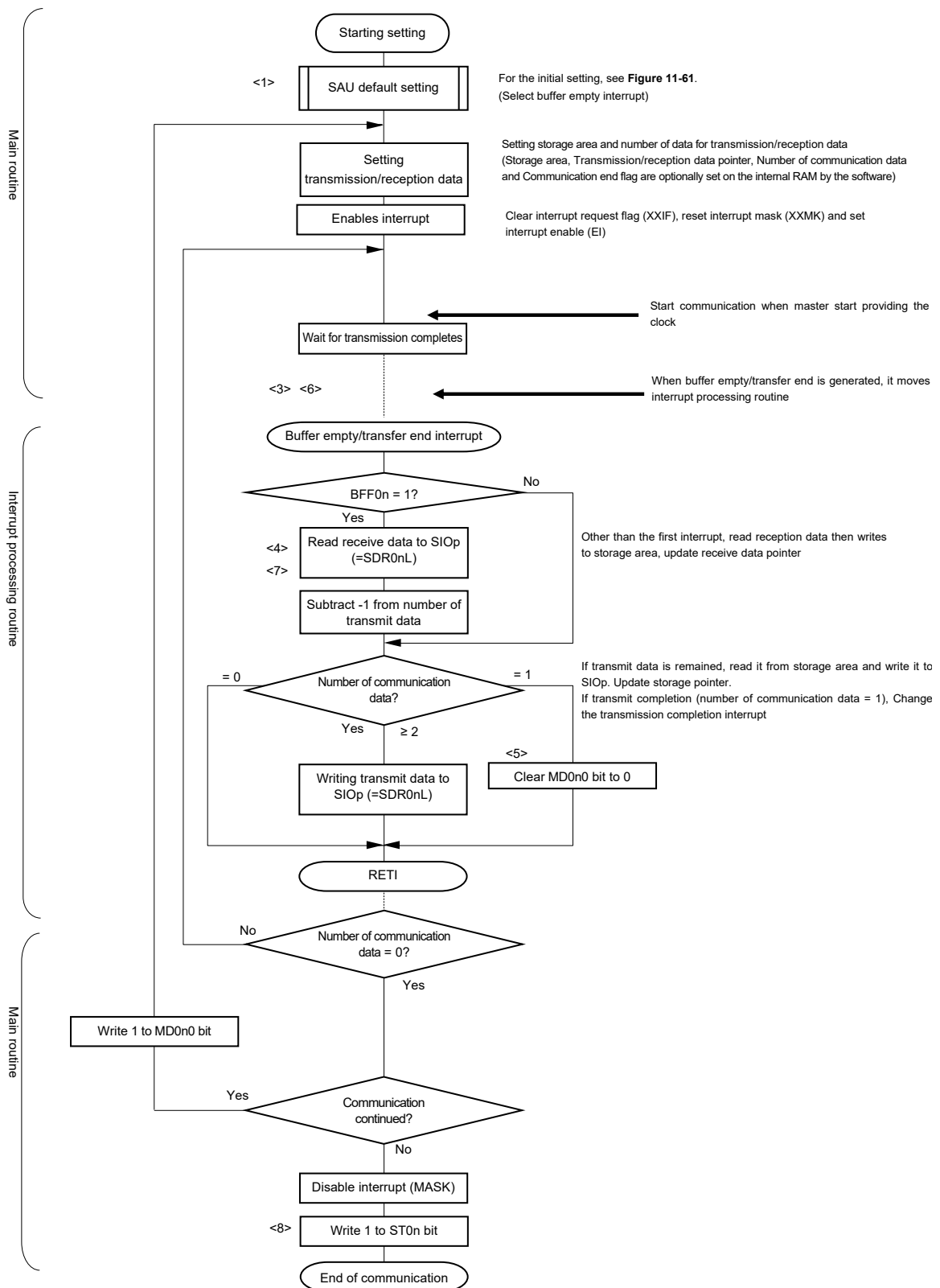
- Notes**
1. If transmit data is written to the SDR0nL register while the BFF0n bit of serial status register 0n (SSR0n) is 1 (valid data is stored in serial data register 0n (SDR0nL)), the transmit data is overwritten.
 2. The transmit data can be read by reading the SDR0nL register during this period. At this time, the transfer operation is not affected.

Caution The MD0n0 bit of serial mode register 0n (SMR0nL) can be rewritten even during operation. However, rewrite it before transfer of the last bit is started, so that it has been rewritten before the transfer end interrupt of the last transmit data.

Remarks 1. <1> to <8> in the figure correspond to <1> to <8> in **Figure 11-67 Flowchart of Slave Transmission/Reception (in Continuous Transmission/Reception Mode)**.

2. n = 0, p: CSI number (p = 00)

Figure 11-67. Flowchart of Slave Transmission/Reception (in Continuous Transmission/Reception Mode)



Caution Be sure to set transmit data to the SIOp register before the clock from the master is started.

Remark <1> to <8> in the figure correspond to <1> to <8> in Figure 11-66 Timing Chart of Slave Transmission/Reception (in Continuous Transmission/Reception Mode).

11.5.7 Calculating transfer clock frequency

The transfer clock frequency for 3-wire serial I/O (CSI00) communication can be calculated by the following expressions.

(1) Master

$$\text{(Transfer clock frequency)} = \{\text{Operation clock (f}_{\text{MCK}}\text{) frequency of the target channel}\} \div (\text{SDR0nH}[7:1] + 1) \div 2 \text{ [Hz]}$$

(2) Slave

$$\text{(Transfer clock frequency)} = \{\text{Frequency of serial clock (SCK) supplied by master}\}^{\text{Note}} \text{ [Hz]}$$

Note The permissible maximum transfer clock frequency is $f_{\text{MCK}}/6$.

Remark The value of SDR0nH[7:1] is the value of bits 7 to 1 of serial data register 0nH (SDR0nH) (0000000B to 1111111B) and therefore is 0 to 127.

The operation clock (f_{MCK}) is determined by serial clock select register 0 (SPS0) and bit 7 (CKS0n) of serial mode register 0n (SMR0nH).

Table 11-2. Selection of Operation Clock For 3-Wire Serial I/O

SMR0n Register	SPS0 Register								Operation Clock (f_{CLK}) ^{Note}	
	CKS0n	PRS 13	PRS 12	PRS 11	PRS 10	PRS 03	PRS 02	PRS 01	PRS 00	$f_{CLK} = 20$ MHz
0	X	X	X	X	0	0	0	0	f_{CLK}	20 MHz
	X	X	X	X	0	0	0	1	$f_{CLK}/2$	10 MHz
	X	X	X	X	0	0	1	0	$f_{CLK}/2^2$	5 MHz
	X	X	X	X	0	0	1	1	$f_{CLK}/2^3$	2.5 MHz
	X	X	X	X	0	1	0	0	$f_{CLK}/2^4$	1.25 MHz
	X	X	X	X	0	1	0	1	$f_{CLK}/2^5$	625 kHz
	X	X	X	X	0	1	1	0	$f_{CLK}/2^6$	312.5 kHz
	X	X	X	X	0	1	1	1	$f_{CLK}/2^7$	156.2 kHz
	X	X	X	X	1	0	0	0	$f_{CLK}/2^8$	78.1 kHz
	X	X	X	X	1	0	0	1	$f_{CLK}/2^9$	39.1 kHz
	X	X	X	X	1	0	1	0	$f_{CLK}/2^{10}$	19.5kHz
	X	X	X	X	1	0	1	1	$f_{CLK}/2^{11}$	9.77 kHz
	X	X	X	X	1	1	0	0	$f_{CLK}/2^{12}$	4.88 kHz
	X	X	X	X	1	1	0	1	$f_{CLK}/2^{13}$	2.44 kHz
	X	X	X	X	1	1	1	0	$f_{CLK}/2^{14}$	1.22 kHz
X	X	X	X	1	1	1	1	$f_{CLK}/2^{15}$	610 Hz	
1	0	0	0	0	X	X	X	X	f_{CLK}	20 MHz
	0	0	0	1	X	X	X	X	$f_{CLK}/2$	10 MHz
	0	0	1	0	X	X	X	X	$f_{CLK}/2^2$	5 MHz
	0	0	1	1	X	X	X	X	$f_{CLK}/2^3$	2.5 MHz
	0	1	0	0	X	X	X	X	$f_{CLK}/2^4$	1.25 MHz
	0	1	0	1	X	X	X	X	$f_{CLK}/2^5$	625 kHz
	0	1	1	0	X	X	X	X	$f_{CLK}/2^6$	312.5 kHz
	0	1	1	1	X	X	X	X	$f_{CLK}/2^7$	156.2 kHz
	1	0	0	0	X	X	X	X	$f_{CLK}/2^8$	78.1 kHz
	1	0	0	1	X	X	X	X	$f_{CLK}/2^9$	39.1 kHz
	1	0	1	0	X	X	X	X	$f_{CLK}/2^{10}$	19.5 kHz
	1	0	1	1	X	X	X	X	$f_{CLK}/2^{11}$	9.77 kHz
	1	1	0	0	X	X	X	X	$f_{CLK}/2^{12}$	4.88 kHz
	1	1	0	1	X	X	X	X	$f_{CLK}/2^{13}$	2.44 kHz
	1	1	1	0	X	X	X	X	$f_{CLK}/2^{14}$	1.22 kHz
1	1	1	1	X	X	X	X	$f_{CLK}/2^{15}$	610 Hz	

Note When changing the clock selected for f_{CLK} (by changing the system clock control register (CKC) value), do so after having stopped (serial channel stop register 0 (ST0) = 03H) the operation of the serial array unit (SAU).

Remarks 1. X: don't care
2. n = 0, 1

11.5.8 Procedure for processing errors that occurred during 3-wire serial I/O (CSI00) communication

The procedure for processing errors that occurred during 3-wire serial I/O (CSI00) communication is described in Figure 11-68.

Figure 11-68. Processing Procedure in Case of Overrun Error

Software Manipulation	Hardware Status	Remark
Reads serial data register 0n (SDR0nL).	→ The BFF0n bit of the SSR0n register is set to 0 and channel n is enabled to receive data.	This is to prevent an overrun error if the next reception is completed during error processing.
Reads serial status register 0n (SSR0n).		Error type is identified and the read value is used to clear error flag.
Writes 1 to serial flag clear trigger register 0n (SIR0n).	→ Error flag is cleared.	Error can be cleared only during reading, by writing the value read from the SSR0n register to the SIR0n register without modification.

Remark n = 0

11.6 Operation of UART (UART0) Communication

This is a start-stop synchronization function using two lines: serial data transmission (TXD) and serial data reception (RXD) lines. By using these two communication lines, each data frame, which consists of a start bit, data, parity bit, and stop bit, is transferred asynchronously (using the internal baud rate) between the microcontroller and the other communication party. Full-duplex UART communication can be performed by using a channel dedicated to transmission (an even-numbered channel) and a channel dedicated to reception (an odd-numbered channel).

[Data transmission/reception]

- Data length of 7 or 8 bits
- Select the MSB/LSB first
- Level setting of transmit/receive data and select of reverse (selecting whether to reverse the level)
- Parity bit appending and parity check functions
- Stop bit appending and stop bit check functions

[Interrupt function]

- Transfer end interrupt/buffer empty interrupt
- Error interrupt in case of framing error, parity error, or overrun error

[Error detection flag]

- Framing error, parity error, or overrun error

The ISC register can be used to set up the input signal on the RXD0 pin of UART0 as an external interrupt input or as a timer input for the timer array unit. The input pulse interval measurement mode of the timer array unit can then be used to measure the width at the baud rate of the other party in communications and make the required adjustments in response.

Unit	Channel	Used as CSI	Used as UART
0	0	CSI00	UART0
	1	–	

Caution When UART operation is selected, the even-numbered channel can only be used for transmission and the odd-numbered channel can only be used for reception.

UART performs the following four types of communication operations.

- UART transmission (See 11.6.1.)
- UART reception (See 11.6.2.)

11.6.1 UART transmission

UART transmission is an operation to transmit data from the R7F0C806-809 to another device asynchronously (start-stop synchronization).

Of the two channels used for UART, the even-numbered channel is used for UART transmission.

UART	UART0
Target channel	Channel 0 of SAU0
Pins used	TXD0
Interrupt	INTST0
	Transfer end interrupt (in single-transfer mode) or buffer empty interrupt (in continuous transfer mode) can be selected.
Error detection flag	None
Transfer data length	7 or 8 bits (UART0 only)
Transfer rate ^{Note}	Max. $f_{MCK}/6$ [bps] (SDR0nH[7:1] = 2 or greater, Min. $f_{CLK}/(2 \times 2^{15} \times 128)$ [bps])
Data phase	Non-inverted output (default: high level) Inverted output (default: low level)
Parity bit	The following selectable <ul style="list-style-type: none"> • No parity bit • Appending 0 parity • Appending even parity • Appending odd parity
Stop bit	The following selectable <ul style="list-style-type: none"> • Appending 1 bit • Appending 2 bits
Data direction	MSB or LSB first

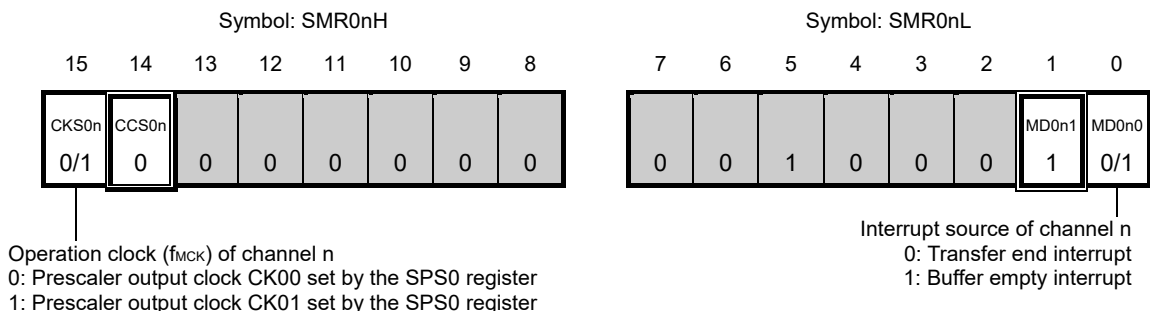
Note Use this operation within a range that satisfies the conditions above and the peripheral function characteristics in the electrical specifications (see **CHAPTER 23 ELECTRICAL SPECIFICATIONS**).

- Remarks**
1. f_{MCK} : Operation clock frequency of target channel
 f_{CLK} : System clock frequency
 2. n: Channel number (n = 0)

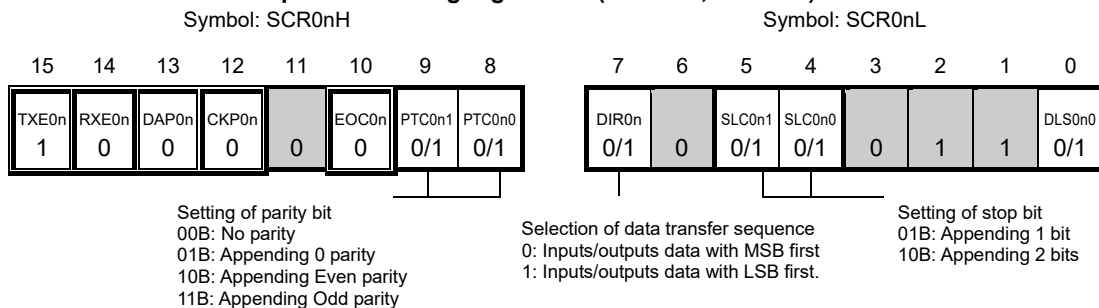
(1) Register setting

Figure 11-69. Example of Contents of Registers for UART Transmission (UART0) (1/2)

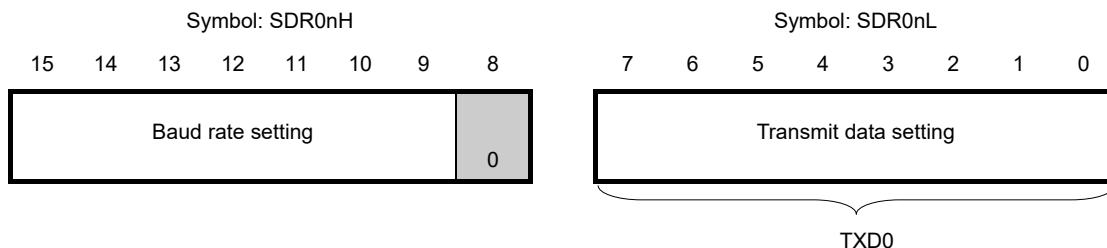
(a) Serial mode register 0n (SMR0nH, SMR0nL)



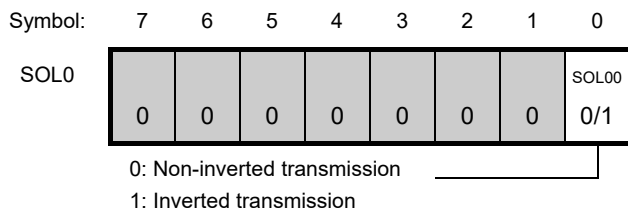
(b) Serial communication operation setting register 0n (SCR0nH, SCR0nL)



(c) Serial data register 0n (SDR0nH, SDR0nL)



(d) Serial output level register 0 (SOL0)... Sets only the bits of the target channel.



Remarks 1. n = 0

2. Setting is fixed in the CSI master transmission mode, : Setting disabled (set to the initial value)
 0/1: Set to 0 or 1 depending on the usage of the user

Figure 11-69. Example of Contents of Registers for UART Transmission (UART0) (2/2)

(e) Serial clock output register 0 (CKO0) ... Sets only the bits of the target channel.

Symbol:	7	6	5	4	3	2	1	0
CKO0	0	0	0	0	0	0	1	CKO00 ×

(f) Serial output register 0 (SO0) ... Sets only the bits of the target channel.

Symbol:	7	6	5	4	3	2	1	0
SO0	0	0	0	0	0	0	1	SO00 0/1

0: Serial data output value is "0"
1: Serial data output value is "1"

(g) Serial output enable register 0 (SOE0) ... Sets only the bits of the target channel to 1.

Symbol:	7	6	5	4	3	2	1	0
SOE0	0	0	0	0	0	0	0	SOE00 0/1 ^{Note}

(h) Serial channel start register 0 (SS0) ... Sets only the bits of the target channel to 1.

Symbol:	7	6	5	4	3	2	1	0
SS0	0	0	0	0	0	0	SS01 ×	SS00 0/1

Note Before transmission is started, be sure to set to 1 when the SOL00 bit of the target channel is set to 0, and set to 0 when the SOL00 bit of the target channel is set to 1. The value varies depending on the communication data during communication operation.

Remark : Setting disabled (set to the initial value)

×: Bit that cannot be used in this mode (set to the initial value when not used in any mode)

0/1: Set to 0 or 1 depending on the usage of the user

(2) Operation procedure

Figure 11-70. Initial Setting Procedure for UART Transmission

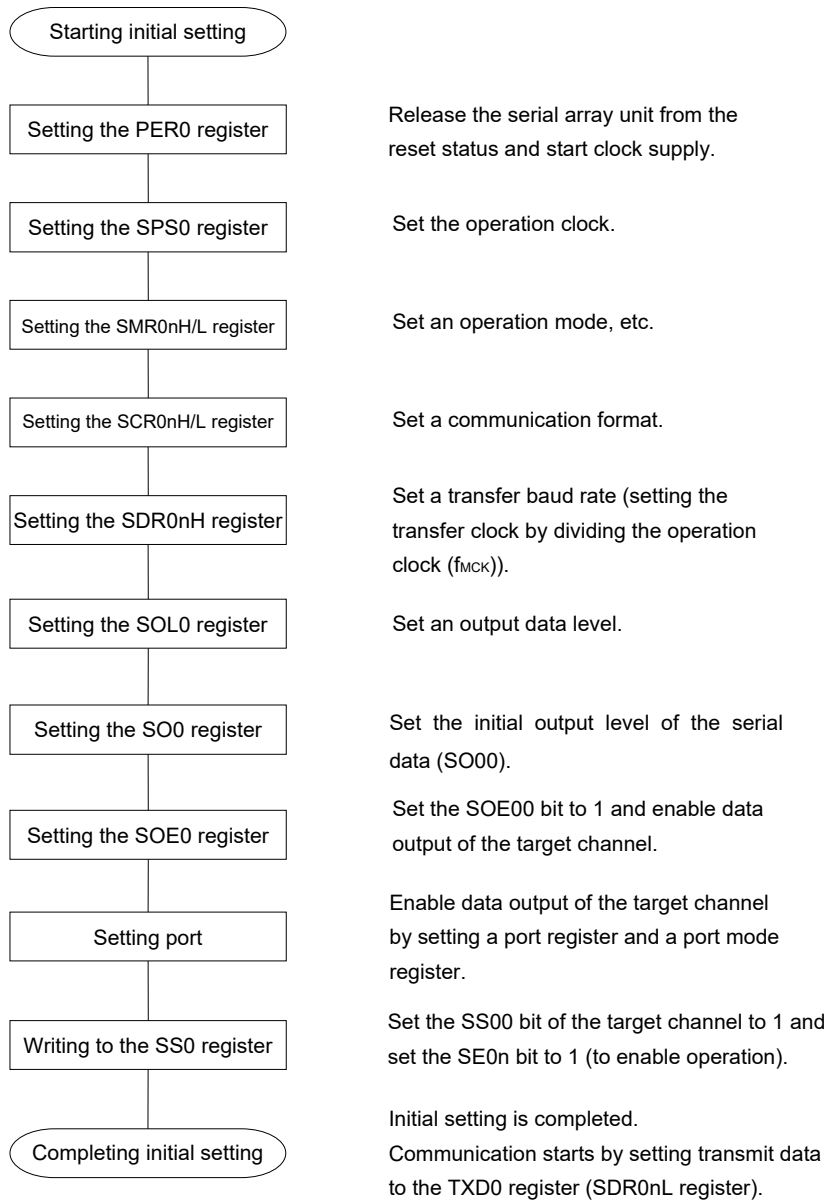


Figure 11-71. Procedure for Stopping UART Transmission

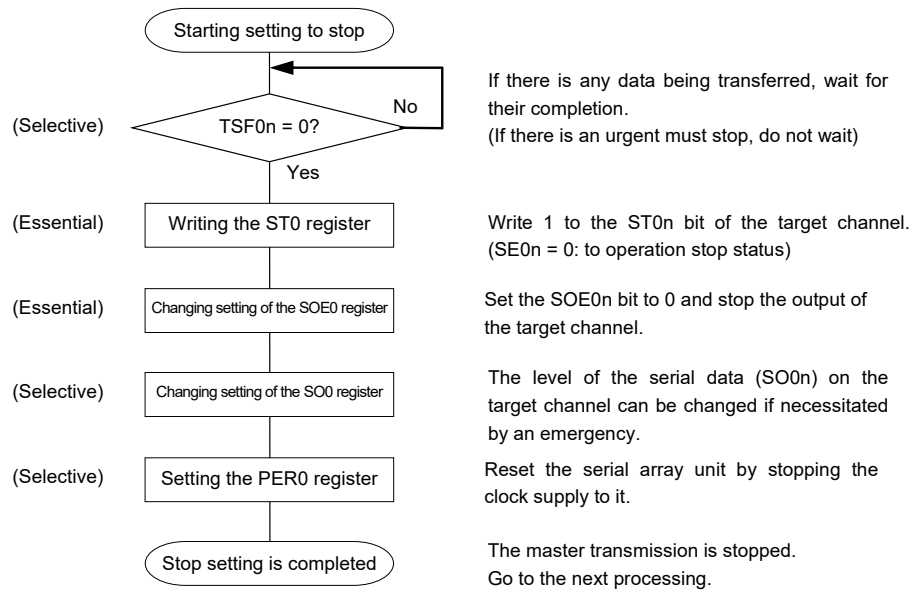
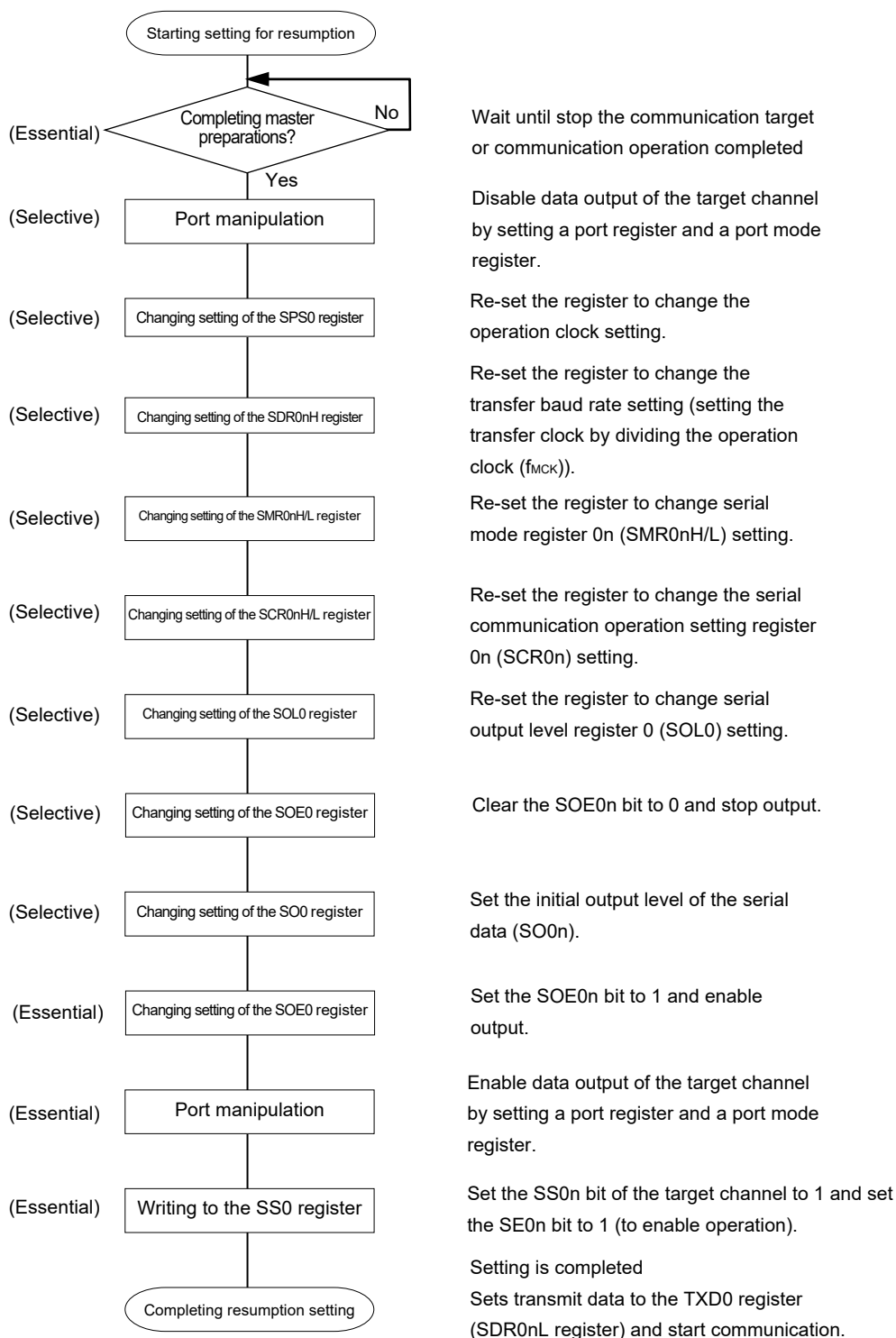


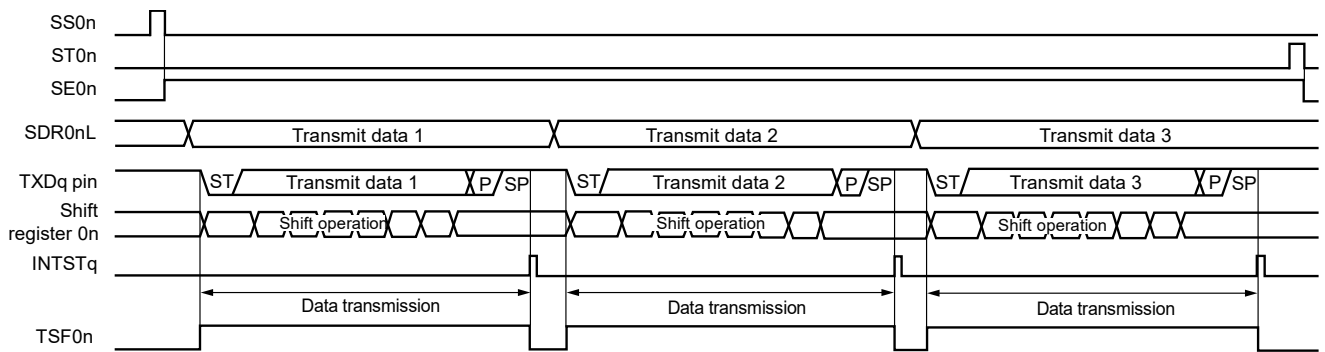
Figure 11-72. Procedure for Resuming UART Transmission



Remark If PER0 is rewritten while stopping the master transmission and the clock supply is stopped, wait until the transmission target stops or transmission finishes, and then perform initialization instead of restarting the transmission.

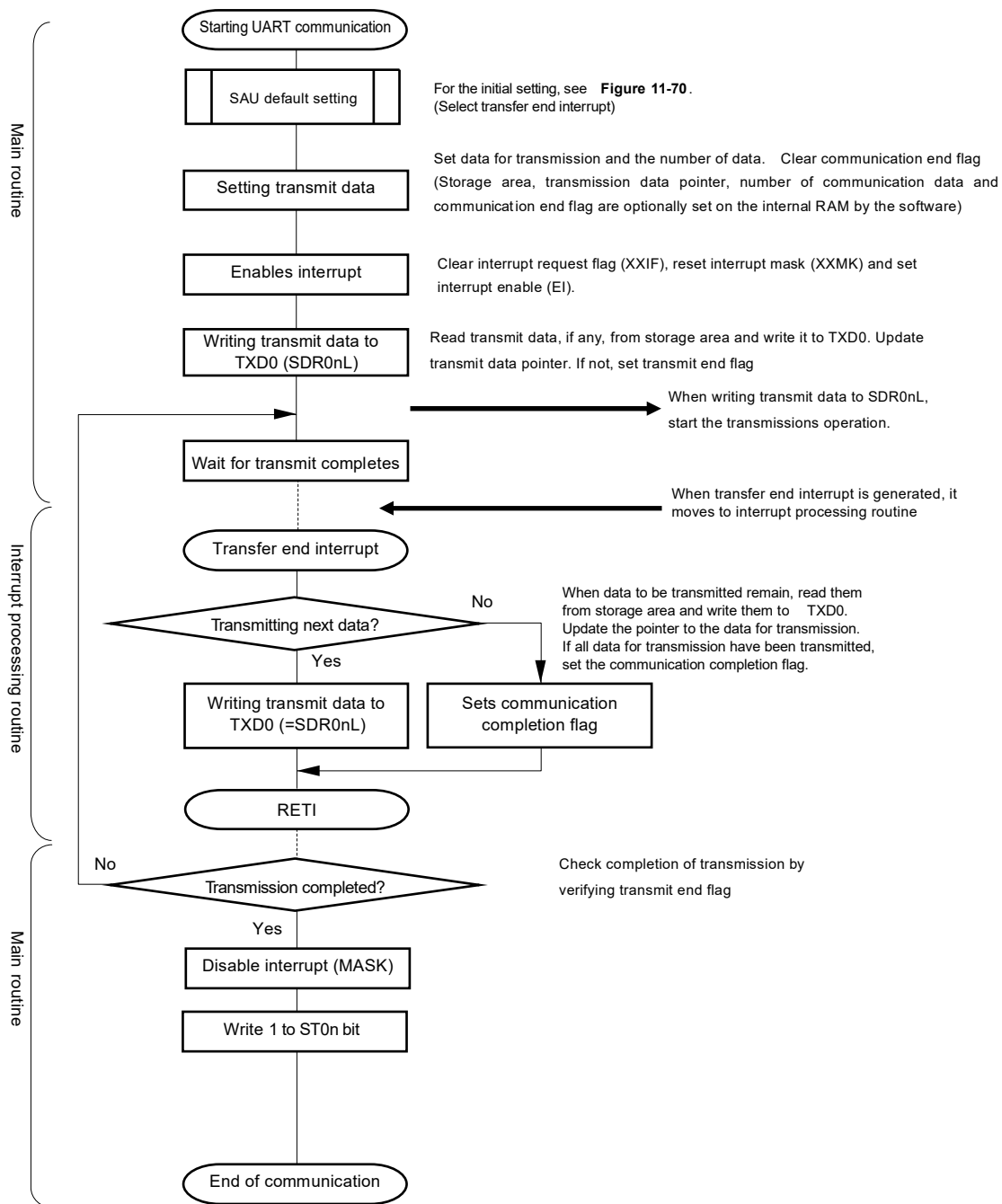
(3) Processing flow (in single-transmission mode)

Figure 11-73. Timing Chart of UART Transmission (in Single-Transmission Mode)



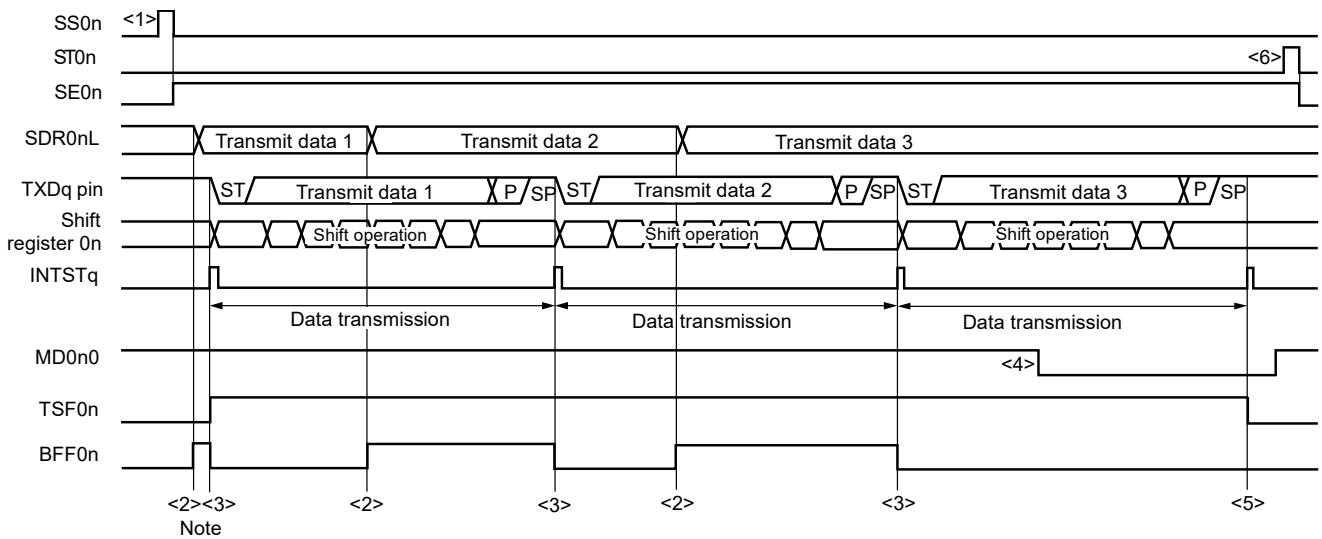
Remark q: UART number (q = 0), n = 0

Figure 11-74. Flowchart of UART Transmission (in Single-Transmission Mode)



(4) Processing flow (in continuous transmission mode)

Figure 11-75. Timing Chart of UART Transmission (in Continuous Transmission Mode)

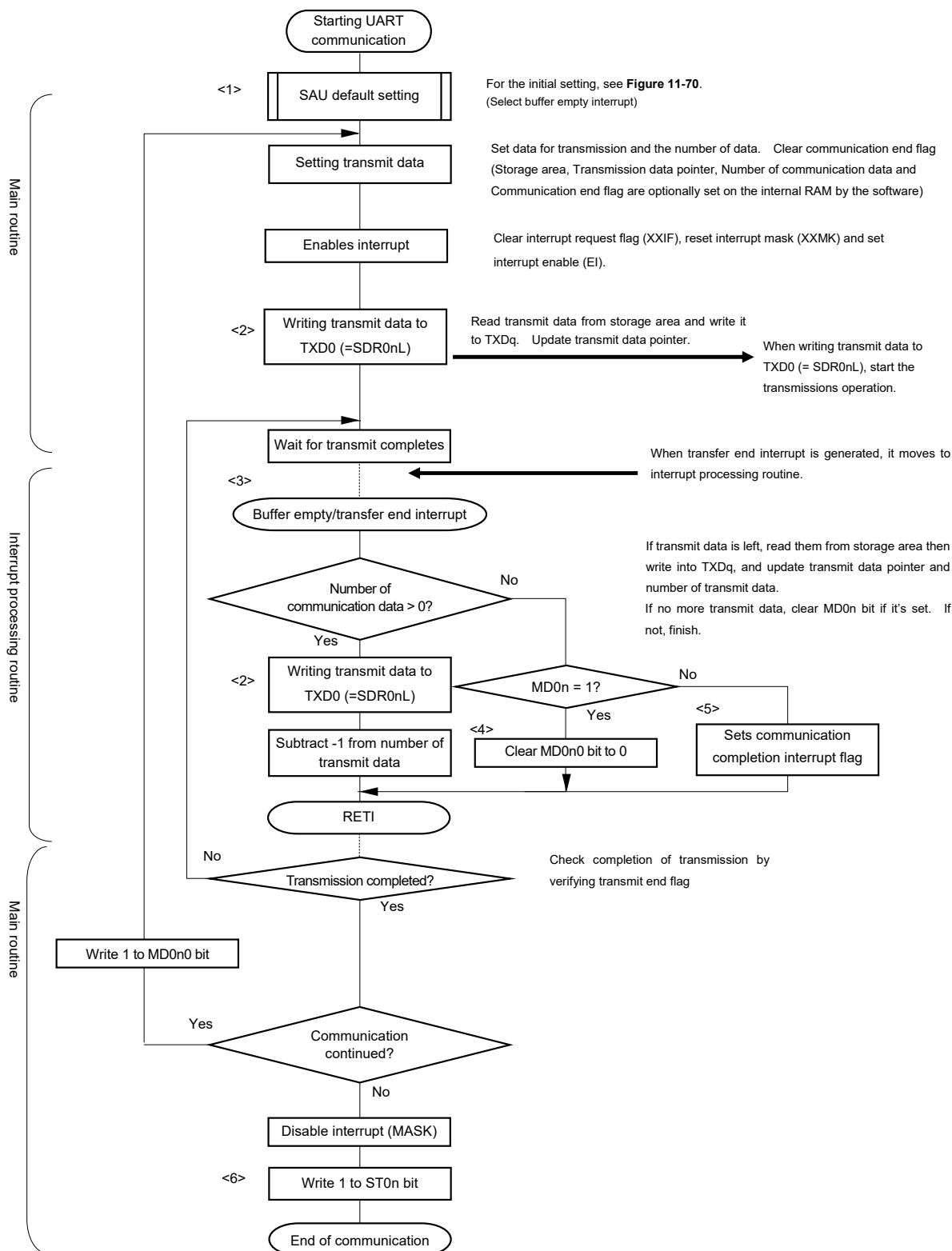


Note If transmit data is written to the SDR0nL register while the BFF0n bit of serial status register 0n (SSR0n) is 1 (valid data is stored in serial data register 0n (SDR0nL)), the transmit data is overwritten.

Caution The MD0n0 bit of serial mode register 0n (SMR0nL) can be rewritten even during operation. However, rewrite it before transfer of the last bit is started, so that it will be rewritten before the transfer end interrupt of the last transmit data.

Remark q: UART number (q = 0), n = 0

Figure 11-76. Flowchart of UART Transmission (in Continuous Transmission Mode)



Remark <1> to <6> in the figure correspond to <1> to <6> in Figure 11-75 Timing Chart of UART Transmission (in Continuous Transmission Mode).

11.6.2 UART reception

UART reception is an operation wherein the R7F0C806-809 asynchronously receives data from another device (start-stop synchronization).

For UART reception, the odd-number channel of the two channels used for UART is used. The SMR register of both the odd- and even-numbered channels must be set.

UART	UART0
Target channel	Channel 1 of SAU0
Pins used	RXD0
Interrupt	INTSR0
	Transfer end interrupt only (setting the buffer empty interrupt is prohibited)
Error interrupt	INTSRE0
Error detection flag	<ul style="list-style-type: none"> • Framing error detection flag (FEF0n) • Parity error detection flag (PEF0n) • Overrun error detection flag (OVF0n)
Transfer data length	7 or 8 bits (UART0 only)
Transfer rate ^{Note}	Max. $f_{MCK}/6$ [bps] (SDR0nH[7:1] = 2 or more), Min. $f_{CLK}/(2 \times 2^{15} \times 128)$ [bps]
Data phase	Non-inverted output (default: high level) Inverted output (default: low level)
Parity bit	The following selectable <ul style="list-style-type: none"> • No parity check • No parity specified (0 parity) • Appending even parity • Appending odd parity
Stop Bit	1 bit check
Data direction	MSB or LSB first

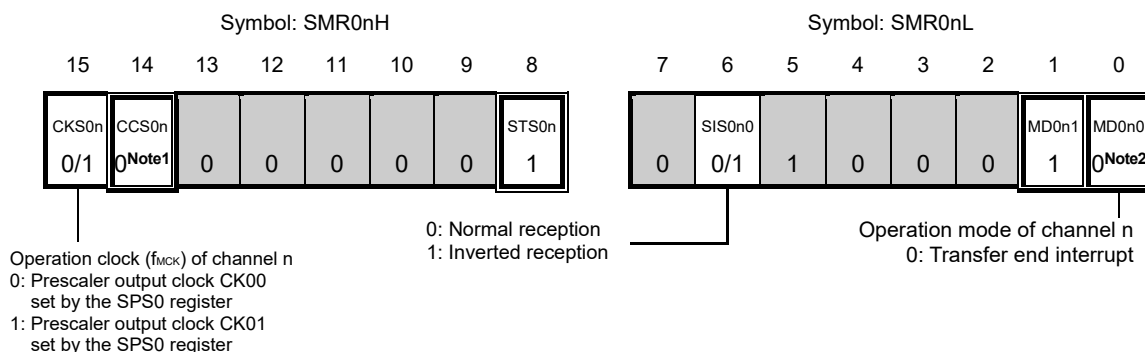
Note Use this operation within a range that satisfies the conditions above and the peripheral characteristics in the electrical specifications (see **CHAPTER 23 ELECTRICAL SPECIFICATIONS**).

- Remarks**
1. f_{MCK} : Operation clock frequency of target channel
 f_{CLK} : System clock frequency
 2. n: Channel number (n = 1)

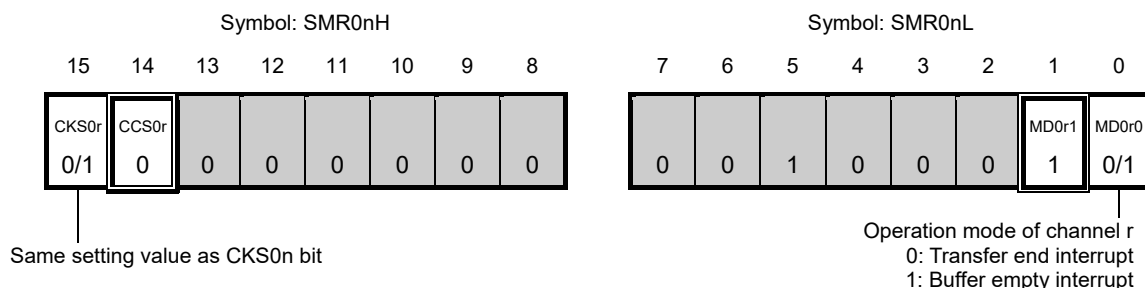
(1) Register setting

Figure 11-77. Example of Contents of Registers for UART Reception (UART0) (1/2)

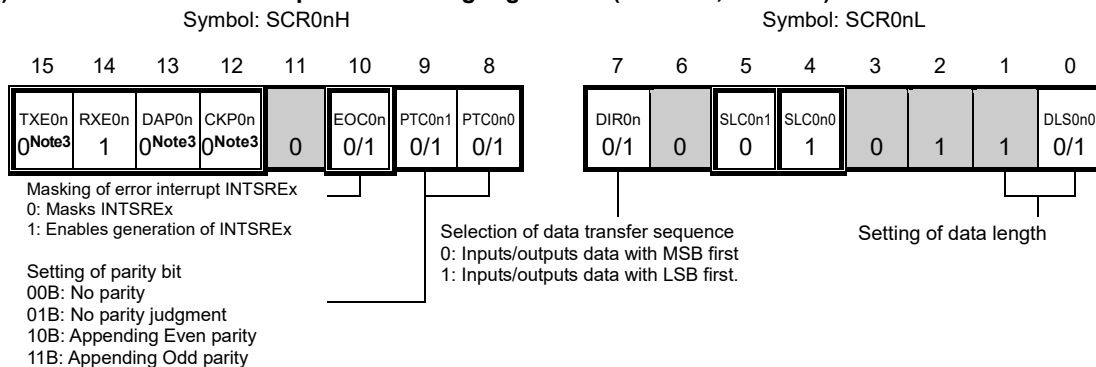
(a) Serial mode register 0n (SMR0nH, SMR0nL)



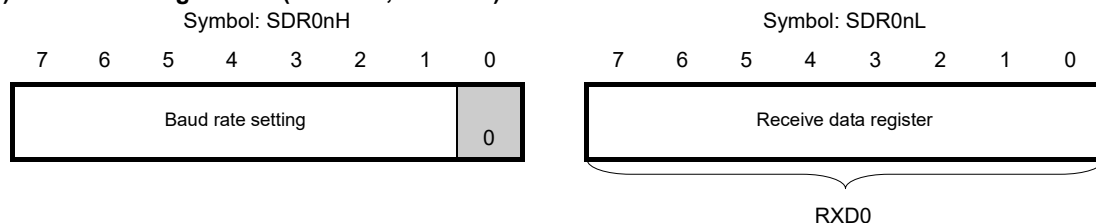
(b) Serial mode register 0r (SMR0rH, SMR0rL)



(c) Serial communication operation setting register 0n (SCR0nH, SCR0nL)



(d) Serial data register 0n (SDR0nH, SDR0nL)



- Notes**
1. Provided in the SMR00H register only.
 2. Provided in the SMR00L register only.
 3. Provided in the SCR00H register only.

Caution For UART reception, be sure to set the SMR0r register of channel r that is to be paired with channel n.

- Remarks**
1. n: Channel number (n = 1),
r: Channel number (r = n - 1) q: UART number (q = 0)
 2. : Setting is fixed in the UART master transmission mode, : Setting disabled (set to the initial value)
0/1: Set to 0 or 1 depending on the usage of the user

Figure 11-77. Example of Contents of Registers for UART Reception (UART0) (2/2)

(e) Serial clock output register 0 (CKO0) ... The register that not used in this mode.

Symbol: 7 6 5 4 3 2 1 0

CKO0								CKO00
	0	0	0	0	0	0	1	×

(f) Serial output register 0 (SO0) ... The register that not used in this mode.

Symbol: 7 6 5 4 3 2 1 0

SO0								SO00
	0	0	0	0	0	0	1	×

(g) Serial output enable register 0 (SOE0) ... The register that not used in this mode.

Symbol: 7 6 5 4 3 2 1 0

SOE0								SOE00
	0	0	0	0	0	0	0	×

(h) Serial channel start register 0 (SS0) ... Sets only the bits of the target channel is 1.

Symbol: 7 6 5 4 3 2 1 0

SS0							SS01	SS00
	0	0	0	0	0	0	0/1	×

Caution For UART reception, be sure to set the SMR00 register of channel 0 that is to be paired with channel 1.

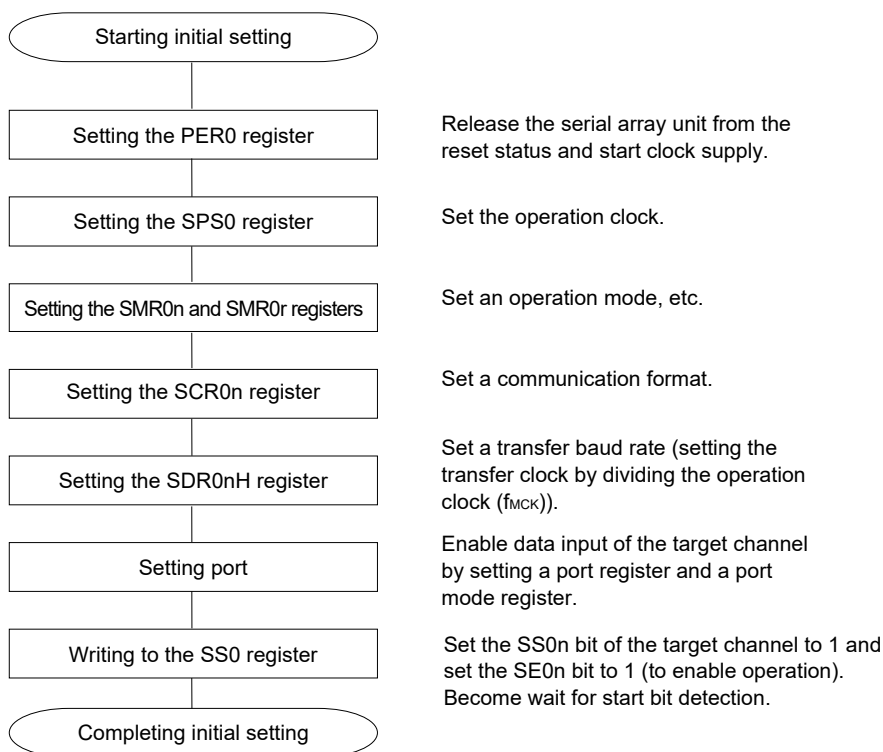
Remark : Setting disabled (set to the initial value)

×: Bit that cannot be used in this mode (set to the initial value when not used in any mode)

0/1: Set to 0 or 1 depending on the usage of the user

(2) Operation procedure

Figure 11-78. Initial Setting Procedure for UART Reception



Caution After setting the RXE0n bit of SCR0n register to 1, be sure to set SS0n to 1 after 4 or more f_{CLK} clocks have elapsed.

Figure 11-79. Procedure for Stopping UART Reception

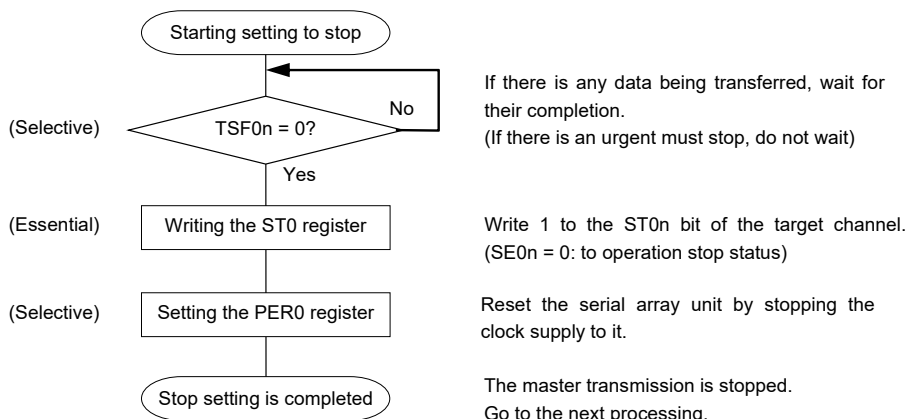
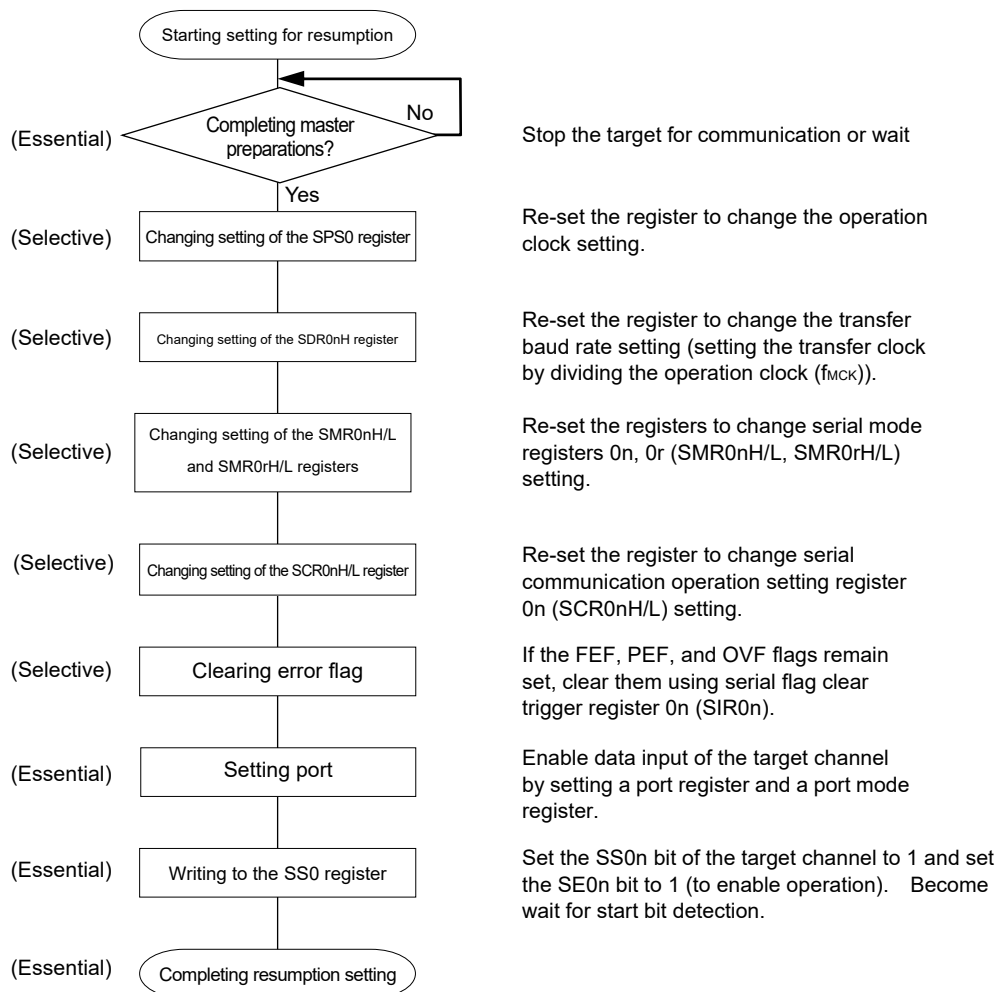


Figure 11-80. Procedure for Resuming UART Reception

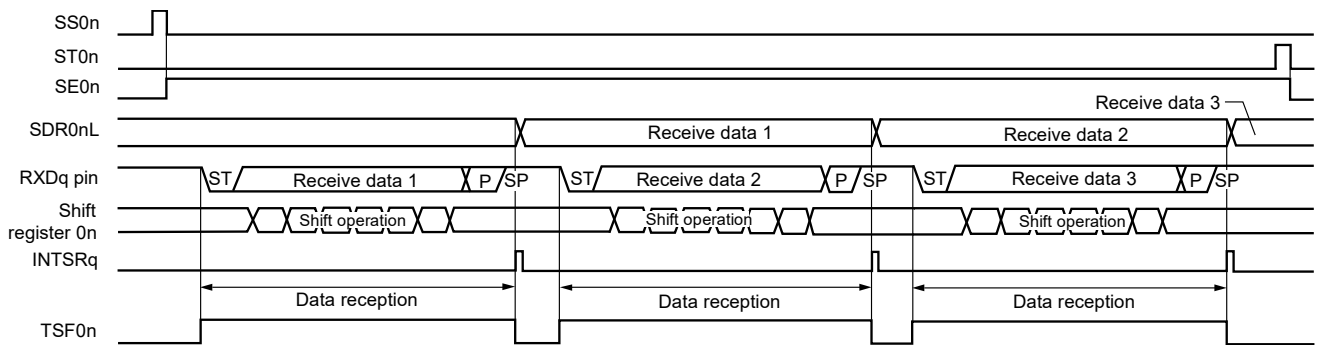


Caution After setting the RXE0n bit of SCR0n register to 1, be sure to set SS0n to 1 after 4 or more f_{CLK} clocks have elapsed.

Remark If PER0 is rewritten while stopping the master transmission and the clock supply is stopped, wait until the transmission target (slave) stops or transmission finishes, and then perform initialization instead of restarting the transmission.

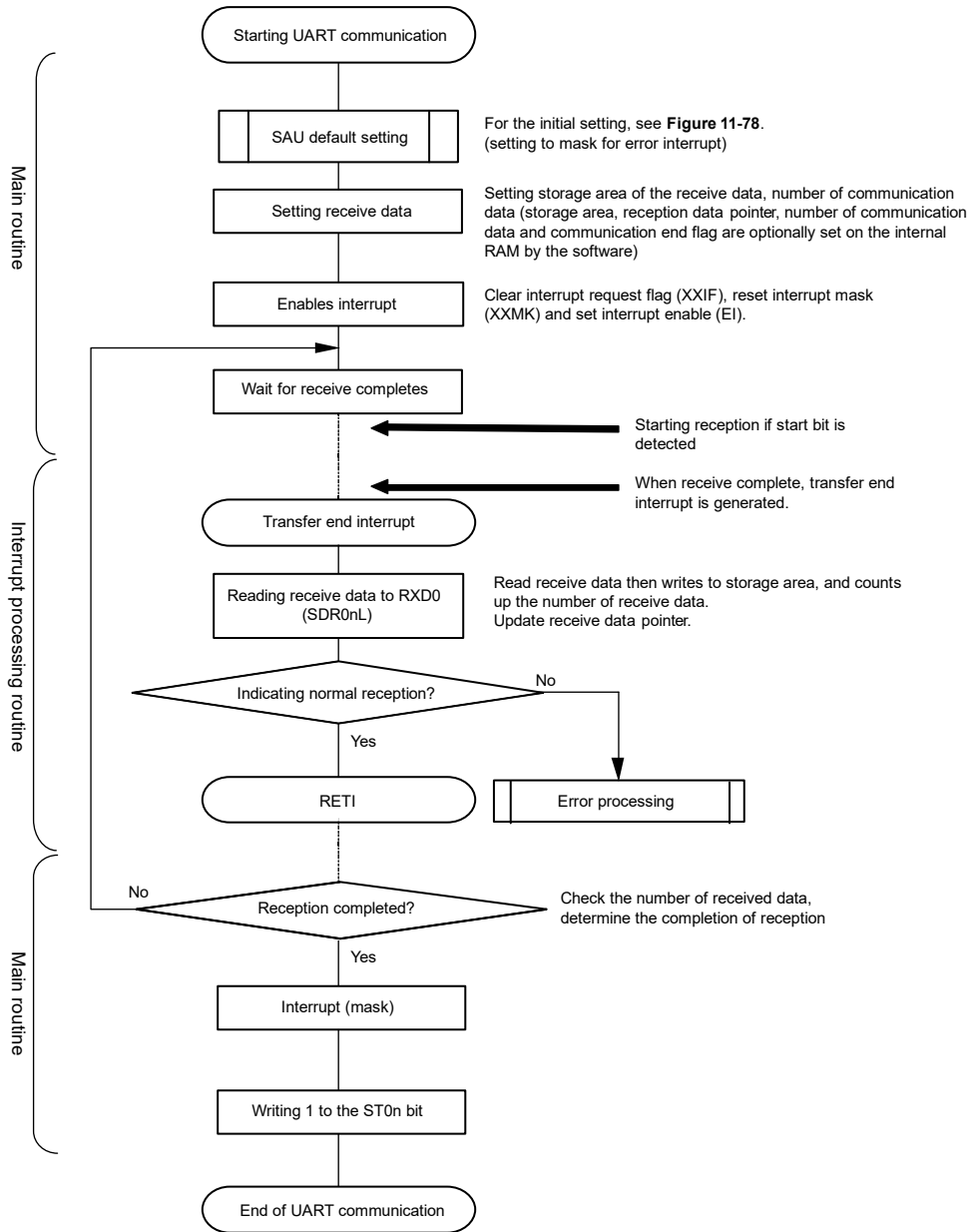
(3) Processing flow

Figure 11-81. UART Reception Timing Chart



Remark n: Channel number (n = 1)
 r: Channel number (r = n - 1) q: UART number (q = 0)

Figure 11-82. Flowchart of UART Reception



11.6.3 Calculating baud rate

(1) Baud rate calculation expression

The baud rate for UART (UART0) communication can be calculated by the following expressions.

$$\text{(Baud rate)} = \{\text{Operation clock (f}_{\text{MCK}}\text{) frequency of target channel}\} \div (\text{SDR0nH}[7:1] + 1) \div 2 \text{ [bps]}$$

Caution Setting serial data register 0n (SDR0nH) SDR0nH[7:1] = (0000000B, 0000001B) is prohibited.

Remarks 1. When UART is used, the value of SDR0nH[7:1] is the value of bits 7 to 1 of the SDR0nH register (0000010B to 1111111B) and therefore is 2 to 127.

2. n = 0, 1

The operation clock (f_{MCK}) is determined by serial clock select register 0 (SPS0) and bit 15 (CKS0n) of serial mode register 0n (SMR0n).

Table 11-3. Selection of Operation Clock For UART

SMR0n Register	SPS0 Register								Operation Clock (f_{CLK}) ^{Note}	
	CKS0n	PRS 13	PRS 12	PRS 11	PRS 10	PRS 03	PRS 02	PRS 01	PRS 00	$f_{CLK} = 20$ MHz
0	X	X	X	X	0	0	0	0	f_{CLK}	20 MHz
	X	X	X	X	0	0	0	1	$f_{CLK}/2$	10 MHz
	X	X	X	X	0	0	1	0	$f_{CLK}/2^2$	5 MHz
	X	X	X	X	0	0	1	1	$f_{CLK}/2^3$	2.5 MHz
	X	X	X	X	0	1	0	0	$f_{CLK}/2^4$	1.25 MHz
	X	X	X	X	0	1	0	1	$f_{CLK}/2^5$	625 kHz
	X	X	X	X	0	1	1	0	$f_{CLK}/2^6$	312.5 kHz
	X	X	X	X	0	1	1	1	$f_{CLK}/2^7$	156.2 kHz
	X	X	X	X	1	0	0	0	$f_{CLK}/2^8$	78.1 kHz
	X	X	X	X	1	0	0	1	$f_{CLK}/2^9$	39.1 kHz
	X	X	X	X	1	0	1	0	$f_{CLK}/2^{10}$	19.5 kHz
	X	X	X	X	1	0	1	1	$f_{CLK}/2^{11}$	9.77 kHz
	X	X	X	X	1	1	0	0	$f_{CLK}/2^{12}$	4.88 kHz
	X	X	X	X	1	1	0	1	$f_{CLK}/2^{13}$	2.44 kHz
	X	X	X	X	1	1	1	0	$f_{CLK}/2^{14}$	1.22 kHz
X	X	X	X	1	1	1	1	$f_{CLK}/2^{15}$	610 Hz	
1	0	0	0	0	X	X	X	X	f_{CLK}	20 MHz
	0	0	0	1	X	X	X	X	$f_{CLK}/2$	10 MHz
	0	0	1	0	X	X	X	X	$f_{CLK}/2^2$	5 MHz
	0	0	1	1	X	X	X	X	$f_{CLK}/2^3$	2.5 MHz
	0	1	0	0	X	X	X	X	$f_{CLK}/2^4$	1.25 MHz
	0	1	0	1	X	X	X	X	$f_{CLK}/2^5$	625 MHz
	0	1	1	0	X	X	X	X	$f_{CLK}/2^6$	312.5 kHz
	0	1	1	1	X	X	X	X	$f_{CLK}/2^7$	156.2 kHz
	1	0	0	0	X	X	X	X	$f_{CLK}/2^8$	78.1 kHz
	1	0	0	1	X	X	X	X	$f_{CLK}/2^9$	39.1 kHz
	1	0	1	0	X	X	X	X	$f_{CLK}/2^{10}$	19.5 kHz
	1	0	1	1	X	X	X	X	$f_{CLK}/2^{11}$	9.77 kHz
	1	1	0	0	X	X	X	X	$f_{CLK}/2^{12}$	4.88 kHz
	1	1	0	1	X	X	X	X	$f_{CLK}/2^{13}$	2.44 kHz
	1	1	1	0	X	X	X	X	$f_{CLK}/2^{14}$	1.22 kHz
1	1	1	1	X	X	X	X	$f_{CLK}/2^{15}$	610 Hz	

Note When changing the clock selected for f_{CLK} (by changing the system clock control register (CKC) value), do so after having stopped (serial channel stop register 0 (ST0) = 03H) the operation of the serial array unit (SAU).

- Remarks 1.** X: don't care
2. n = 0, 1

(2) Baud rate error during transmission

The baud rate error of UART (UART0) communication during transmission can be calculated by the following expression. Make sure that the baud rate at the transmission side is within the permissible baud rate range at the reception side.

$$(\text{Baud rate error}) = (\text{Calculated baud rate value}) \div (\text{Target baud rate}) \times 100 - 100 [\%]$$

Here is an example of setting a UART baud rate at $f_{\text{CLK}} = 20 \text{ MHz}$.

UART Baud Rate (Target Baud Rate)	$f_{\text{CLK}} = 20 \text{ MHz}$			
	Operation Clock (f_{MCK})	SDR0nH[7:1]	Calculated Baud Rate	Error from Target Baud Rate
300 bps	$f_{\text{CLK}}/2^9$	64	300.48 bps	+0.16%
600 bps	$f_{\text{CLK}}/2^8$	64	600.96 bps	+0.16%
1200 bps	$f_{\text{CLK}}/2^7$	64	1201.92 bps	+0.16%
2400 bps	$f_{\text{CLK}}/2^6$	64	2403.85 bps	+0.16%
4800 bps	$f_{\text{CLK}}/2^5$	64	4807.69 bps	+0.16%
9600 bps	$f_{\text{CLK}}/2^4$	64	9615.38 bps	+0.16%
19200 bps	$f_{\text{CLK}}/2^3$	64	19230.8 bps	+0.16%
31250 bps	$f_{\text{CLK}}/2^3$	39	31250.0 bps	$\pm 0.0\%$
38400 bps	$f_{\text{CLK}}/2^2$	64	38461.5 bps	+0.16%
76800 bps	$f_{\text{CLK}}/2$	64	76923.1 bps	+0.16%
153600 bps	f_{CLK}	64	153846 bps	+0.16%
312500 bps	f_{CLK}	31	312500 bps	$\pm 0.0\%$

(3) Permissible baud rate range for reception

The permissible baud rate range for reception during UART (UART0) communication can be calculated by the following expression. Make sure that the baud rate at the transmission side is within the permissible baud rate range at the reception side.

$$\text{(Maximum receivable baud rate)} = \frac{2 \times k \times \text{Nfr}}{2 \times k \times \text{Nfr} - k + 2} \times \text{Brate}$$

$$\text{(Minimum receivable baud rate)} = \frac{2 \times k \times (\text{Nfr} - 1)}{2 \times k \times \text{Nfr} - k - 2} \times \text{Brate}$$

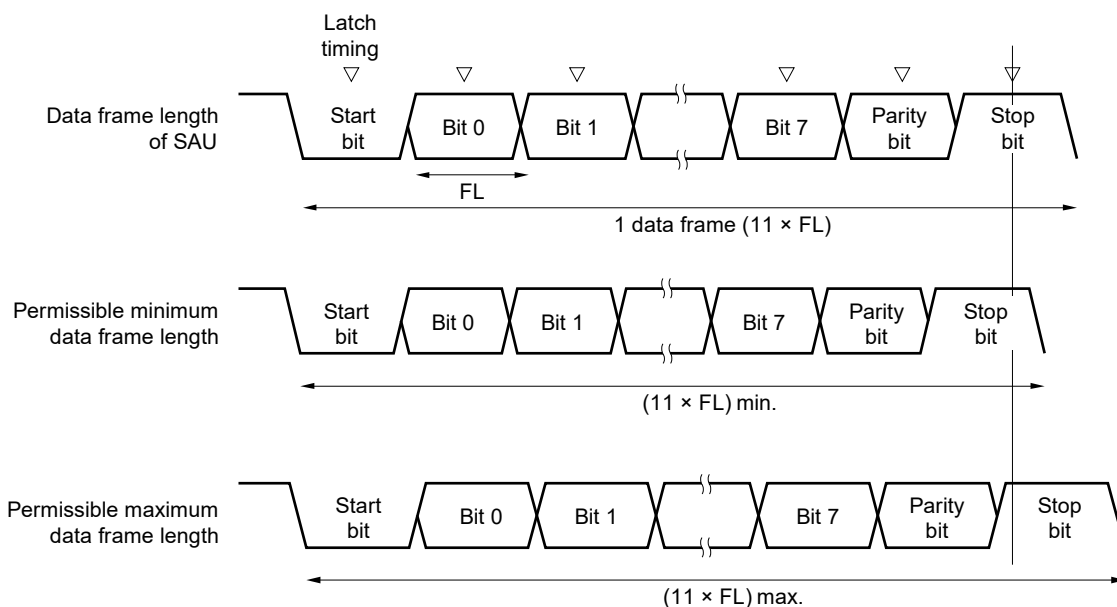
Brate: Calculated baud rate value at the reception side (See 11.6.3 (1) Baud rate calculation expression.)

k: SDR0nH[7:1] + 1

Nfr: 1 data frame length [bits]
 = (Start bit) + (Data length) + (Parity bit) + (Stop bit)

Remark n = 1

Figure 11-83. Permissible Baud Rate Range for Reception (1 Data Frame Length = 11 Bits)



As shown in Figure 11-83 the timing of latching receive data is determined by the division ratio set by bits 7 to 1 of serial data register 0nH (SDR0nH) after the start bit is detected. If the last data (stop bit) is received before this latch timing, the data can be correctly received.

11.6.4 Procedure for processing errors that occurred during UART (UART0) communication

The procedure for processing errors that occurred during UART (UART0) communication is described in Figures 11-84 and 11-85.

Figure 11-84. Processing Procedure in Case of Parity Error or Overrun Error

Software manipulation	Hardware status	Remark
Reads serial data register 0n (SDR0nL).	→ The BFF0n bit of the SSR0n register is set to 0 and channel n is enabled to receive data.	This is to prevent an overrun error if the next reception is completed during error processing.
Reads serial status register 0n (SSR0n).		Error type is identified and the read value is used to clear error flag.
Writes 1 to serial flag clear trigger register 0n (SIR0n).	→ Error flag is cleared.	Error can be cleared only during reading, by writing the value read from the SSR0n register to the SIR0n register without modification.

Figure 11-85. Processing Procedure in Case of Framing Error

Software manipulation	Hardware status	Remark
Reads serial data register 0n (SDR0nL).	→ The BFF0n bit of the SSR0n register is set to 0 and channel n is enabled to receive data.	This is to prevent an overrun error if the next reception is completed during error processing.
Reads serial status register 0n (SSR0n).		Error type is identified and the read value is used to clear error flag.
Writes serial flag clear trigger register 0n (SIR0n).	→ Error flag is cleared.	Error can be cleared only during reading, by writing the value read from the SSR0n register to the SIR0n register without modification.
Sets the ST0n bit of serial channel stop register 0 (ST0) to 1.	→ The SE0n bit of serial channel enable status register 0 (SE0) is set to 0 and channel n stops operating.	
Synchronization with other party of communication		Synchronization with the other party of communication is re-established and communication is resumed because it is considered that a framing error has occurred because the start bit has been shifted.
Sets the SS0n bit of serial channel start register 0 (SS0) to 1.	→ The SE0n bit of serial channel enable status register 0 (SE0) is set to 1 and channel n is enabled to operate.	

Remark n = 0, 1

CHAPTER 12 REAL-TIME OUTPUT CONTROLLER (R7F0C806 and R7F0C807 only)

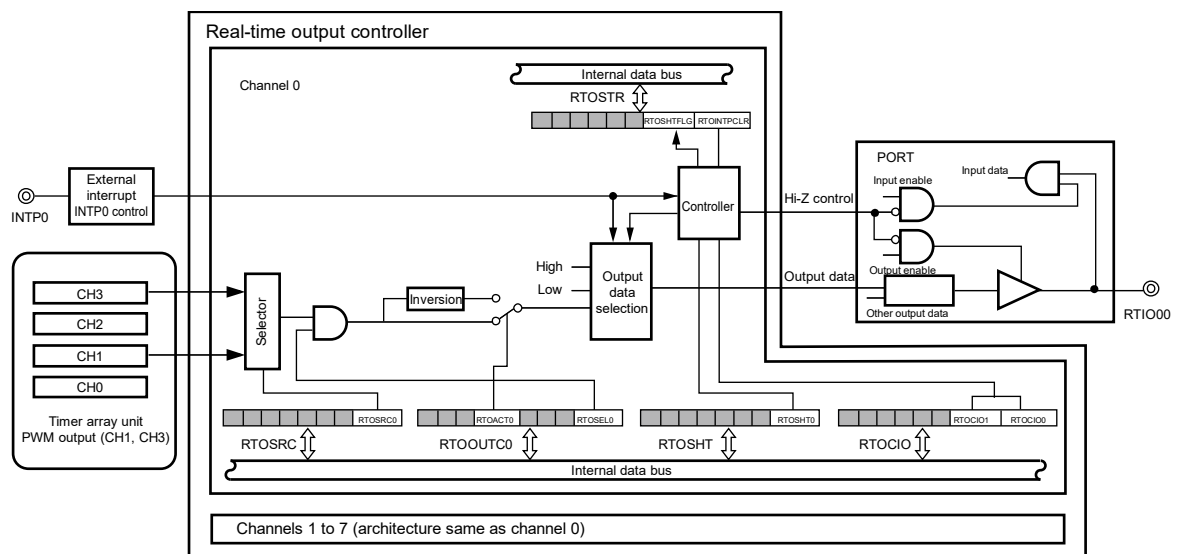
12.1 Functions of Real-Time Output Controller

The real-time output controller can control one DC motor or two stepper motors by using the PWM output function of the TAU. The real-time output controller can cut off the timer output by using an interrupt INTP0 as a trigger.

The forced cut-off signal can be output in either of the following states: Hi-Z, low level, high level, or cutoff-invalidated, by using a software setting.

Figure 12-1 shows the block diagram of the real-time output controller.

Figure 12-1. Block Diagram of Real-Time Output Controller



12.2 Configuration of Real-Time Output Controller

The real-time output controller includes the following hardware.

Table 12-1. Configuration of Real-Time Output Controller

Item	Configuration
Control registers	RTO source selection register (RTOSRC) RTO forced cutoff control register (RTOSHT) RTO control register 0 (RTOOUTC0) RTO control register 1 (RTOOUTC1) RTO forced cutoff output selection register (RTOCIO) RTO forced cutoff status register (RTOSTR) Port mode register 0 (PM0) Port register 0 (P0) Port mode control register 0 (PMC0)
Output pins	Real-time output (RTIO00 to RTIO07)

12.3 Registers Controlling Real-Time Output Controller

The following registers are used to control the real-time output controller.

- RTO source selection register (RTOSRC)
- RTO forced cutoff control register (RTOSHT)
- RTO control register 0 (RTOOUTC0)
- RTO control register 1 (RTOOUTC1)
- RTO forced cutoff output selection register (RTOCIO)
- RTO forced cutoff status register (RTOSTR)
- Port mode register 0 (PM0)
- Port register 0 (P0)
- Port mode control register 0 (PMC0)

12.3.1 RTO source selection register (RTOSRC)

The RTOSRC register is used to select the source of the clock input to the real-time output controller. Select the TAU timer output TO01 or TO03 as the source clock to be input to the real-time output controller.

The RTOSRC register can be set by a 1-bit or 8-bit memory manipulation instruction.
Reset signal generation clears this register to 00H.

Figure 12-2. Format of RTO Source Selection Register (RTOSRC)

Address: F01C0H After reset: 00H R/W

Symbol	7	6	5	4	3	2	1	0
RTOSRC	RTOSRC7	RTOSRC6	RTOSRC5	RTOSRC4	RTOSRC3	RTOSRC2	RTOSRC1	RTOSRC0

RTOSRC7	Selection of RTIO07 output source
0	Select TO01.
1	Select TO03.

RTOSRC6	Selection of RTIO06 output source
0	Select TO01.
1	Select TO03.

RTOSRC5	Selection of RTIO05 output source
0	Select TO01.
1	Select TO03.

RTOSRC4	Selection of RTIO04 output source
0	Select TO01.
1	Select TO03.

RTOSRC3	Selection of RTIO03 output source
0	Select TO01.
1	Select TO03.

RTOSRC2	Selection of RTIO02 output source
0	Select TO01.
1	Select TO03.

RTOSRC1	Selection of RTIO01 output source
0	Select TO01.
1	Select TO03.

RTOSRC0	Selection of RTIO00 output source
0	Select TO01.
1	Select TO03.

12.3.2 RTO forced cutoff control register (RTOSHT)

The RTOSHT register is used to control whether to cut off the real-time output.

The RTOSHT register can be set by a 1-bit or 8-bit memory manipulation instruction.

Reset signal generation clears this register to 00H.

Figure 12-3. Format of RTO Forced Cutoff Control Register (RTOSHT)

Address: F01C1H After reset: 00H R/W

Symbol	7	6	5	4	3	2	1	0
RTOSHT	RTOSHT7	RTOSHT6	RTOSHT5	RTOSHT4	RTOSHT3	RTOSHT2	RTOSHT1	RTOSHT0

RTOSHT7	RTIO07 output forced cutoff control
0	Disable forced cutoff.
1	Enable forced cutoff.

RTOSHT6	RTIO06 output forced cutoff control
0	Disable forced cutoff.
1	Enable forced cutoff.

RTOSHT5	RTIO05 output forced cutoff control
0	Disable forced cutoff.
1	Enable forced cutoff.

RTOSHT4	RTIO04 output forced cutoff control
0	Disable forced cutoff.
1	Enable forced cutoff.

RTOSHT3	RTIO03 output forced cutoff control
0	Disable forced cutoff.
1	Enable forced cutoff.

RTOSHT2	RTIO02 output forced cutoff control
0	Disable forced cutoff.
1	Enable forced cutoff.

RTOSHT1	RTIO01 output forced cutoff control
0	Disable forced cutoff.
1	Enable forced cutoff.

RTOSHT0	RTIO00 output forced cutoff control
0	Disable forced cutoff.
1	Enable forced cutoff.

12.3.3 RTO control register 0 (RTOOUTC0)

The RTOOUTC0 register is used to enable or disable outputting the waveforms from RTIO00 to RTIO03 and control whether to invert their logic level.

The RTOOUTC0 register can be set by a 1-bit or 8-bit memory manipulation instruction.

Reset signal generation clears this register to 00H.

Figure 12-4. Format of RTO Control Register 0 (RTOOUTC0)

Address: F01C2H After reset: 00H R/W

Symbol	7	6	5	4	3	2	1	0
RTOOUTC0	RTOACT3	RTOACT2	RTOACT1	RTOACT0	RTOSEL3	RTOSEL2	RTOSEL1	RTOSEL0

RTOACT3	RTIO03 output inverting control
0	Do not invert.
1	Invert.

RTOACT2	RTIO02 output inverting control
0	Do not invert.
1	Invert.

RTOACT1	RTIO01 output inverting control
0	Do not invert.
1	Invert.

RTOACT0	RTIO00 output inverting control
0	Do not invert.
1	Invert.

RTOSEL3	RTIO03 output control
0	Disable output.
1	Enable output.

RTOSEL2	RTIO02 output control
0	Disable output.
1	Enable output.

RTOSEL1	RTIO01 output control
0	Disable output.
1	Enable output.

RTOSEL0	RTIO00 output control
0	Disable output.
1	Enable output.

12.3.4 RTO control register 1 (RTOOUTC1)

The RTOOUTC1 register is used to enable or disable outputting the waveforms from RTIO04 to RTIO07 and control whether to invert their logic level.

The RTOOUTC1 register can be set by a 1-bit or 8-bit memory manipulation instruction.

Reset signal generation clears this register to 00H.

Figure 12-5. Format of RTO Control Register 1 (RTOOUTC1)

Address: F01C3H After reset: 00H R/W

Symbol	7	6	5	4	3	2	1	0
RTOOUTC1	RTOACT7	RTOACT6	RTOACT5	RTOACT4	RTOSEL7	RTOSEL6	RTOSEL5	RTOSEL4

RTOACT7	RTIO07 output inverting control
0	Do not invert.
1	Invert.

RTOACT6	RTIO06 output inverting control
0	Do not invert.
1	Invert.

RTOACT5	RTIO05 output inverting control
0	Do not invert.
1	Invert.

RTOACT4	RTIO04 output inverting control
0	Do not invert.
1	Invert.

RTOSEL7	RTIO07 output control
0	Disable output.
1	Enable output.

RTOSEL6	RTIO06 output control
0	Disable output.
1	Enable output.

RTOSEL5	RTIO05 output control
0	Disable output.
1	Enable output.

RTOSEL4	RTIO04 output control
0	Disable output.
1	Enable output.

12.3.5 RTO forced cutoff output selection register (RTOCIO)

The RTOCIO register is used to select the status of the timer output that has forcibly been cut off.
 The RTOCIO register can be set by a 1-bit or 8-bit memory manipulation instruction.
 Reset signal generation clears this register to 00H.

Figure 12-6. Format of RTO Forced Cutoff Output Selection Register (RTOCIO)

Address: F01C4H After reset: 00H R/W

Symbol	7	6	5	4	3	2	1	0
RTOCIO	RTOCIO7	RTOCIO6	RTOCIO5	RTOCIO4	RTOCIO3	RTOCIO2	RTOCIO1	RTOCIO0

RTOCIO7	RTOCIO6	Selection of the status of forced cutoff output from RTIO07
0	0	Hi-Z output
0	1	Low-level output
1	0	High-level output
1	1	Cutoff-invalidated

RTOCIO5	RTOCIO4	Selection of the status of forced cutoff output from RTIO05 to RTIO03
0	0	Hi-Z output
0	1	Low-level output
1	0	High-level output
1	1	Cutoff-invalidated

RTOCIO3	RTOCIO2	Selection of the status of forced cutoff output from RTIO06
0	0	Hi-Z output
0	1	Low-level output
1	0	High-level output
1	1	Cutoff-invalidated

RTOCIO1	RTOCIO0	Selection of the status of forced cutoff output from RTIO02 to RTIO00
0	0	Hi-Z output
0	1	Low-level output
1	0	High-level output
1	1	Cutoff-invalidated

12.3.6 RTO forced cutoff status register (RTOSTR)

The RTOSTR register is used to clear the output cutoff state, and is used as a flag register that indicates the status of a cutoff signal. Setting the clearing trigger bit RTOINTPCLR to 1 clears the output cutoff state. If the cutoff status flag RTOSHTFLG is 1, it indicates that the output has been forcibly cut off.

Bit 0 is write-only. If this bit is read, 0 is always returned. Bits 7 to 1 are read-only.

Write to the RTOINTPCLR bit when the RTOSHTFLG bit is 1.

The RTOSTR register can be set by a 1-bit or 8-bit memory manipulation instruction.

Reset signal generation clears this register to 00H.

Figure 12-7. Format of RTO Forced Cutoff Status Register (RTOSTR)

Address: F01C5H After reset: 00H R/W

Symbol	7	6	5	4	3	2	1	0
RTOSTR	0	0	0	0	0	0	RTOSHT FLG	RTOINT PCLR

RTOSHTFLG	Cutoff status flag
0	The timer output is output normally.
1	The timer output is cut off.
The RTOSHTFLG bit is read-only.	

RTOINTPCLR	Clearing the output cutoff state
0	—
1	Clear the output cutoff state.

Caution If cutting off the output is invalidated by using the RTO forced cutoff output selection register (RTOCIO), the output is not cut off even if the RTOSHTFLG flag is set to 1 (the timer output is cut off) when an external interrupt INTP0 is input.

12.3.7 Registers controlling the port function of real-time output pins

When using the real-time output controller, specify the settings for port mode register 0 (PM0), port register 0 (P0), and port mode control register 0 (PMC0) that are used to control the port function shared by the real-time output pin (RTIO0n)

For details about the registers that control the port function, see **4.3.1 Port mode registers 0, 1, 4 (PM0, PM1, PM4)**, **4.3.2 Port registers 0, 1, 4, 12, 13 (P0, P1, P4, P12, P13)**, and **4.3.6 Port mode control registers 0, 1 (PMC0, PMC1)**.

When using the pin as a real-time output pin, clear the corresponding bit in port mode register 0 (PM0) to 0, set the corresponding bit in port register 0 (P0) to 1, and clear the corresponding bit in port mode control register 0 (PMC0) to 0.

For details, see **4.5.3 Example of register settings for port and alternate functions used**.

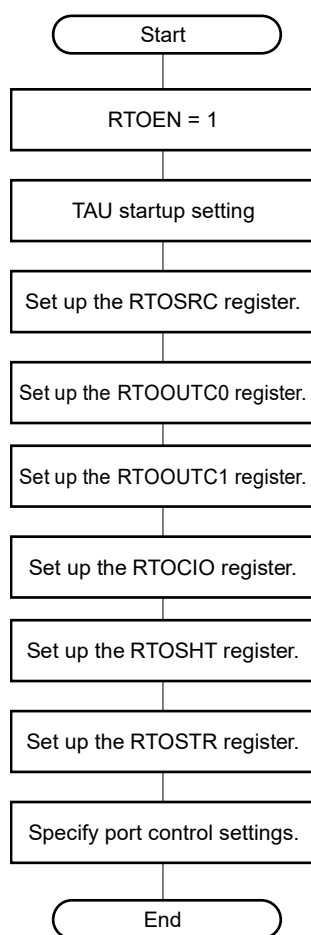
Remark n = 0 to 7

12.4 Operations of Real-Time Output Controller

12.4.1 Initial setup

Select a TAU output (TO01 or TO03) as the source of the timer waveform by using the RTOSRC register. Whether to invert or not to invert the timer waveform and whether to fix the level to low or high can be specified by using the RTOOUTC0 and RTOOUTC1 registers. Select whether to enable or disable cutting off the output by using the RTOSHT register, and select the status of the timer output that has forcibly been cut off from Hi-Z, low level, high level, and cutoff-invalidated by using the RTOCIO register.

Figure 12-8. Initial Register Setup Flow



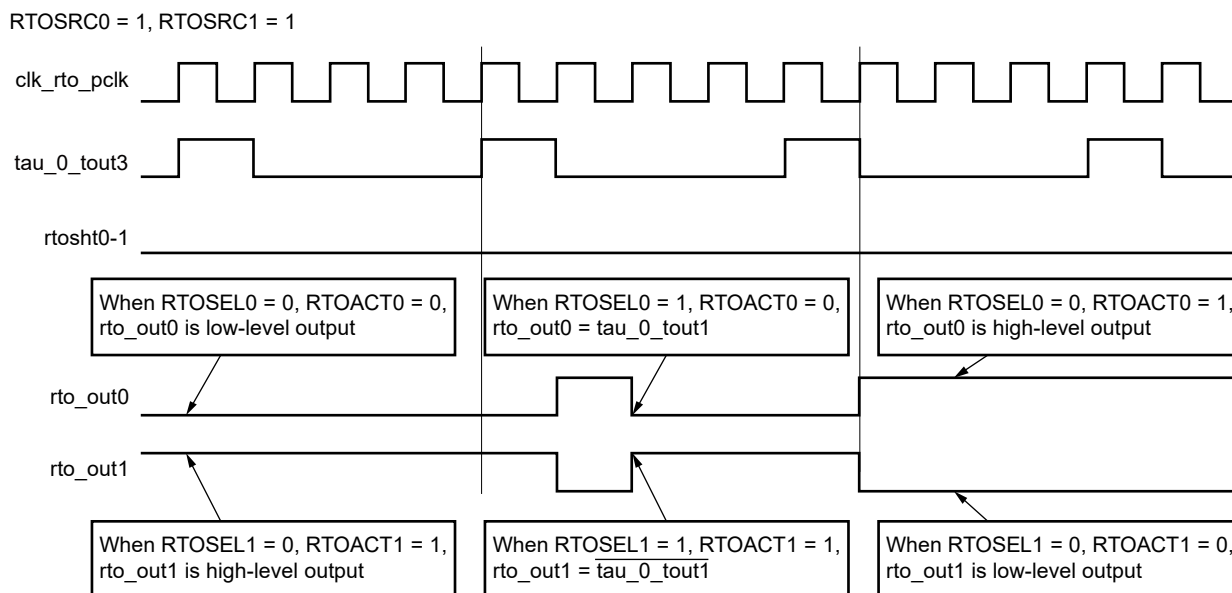
- Cautions**
1. Specify the setting in the RTOSRC register before the corresponding RTOSELn bit is set to 1 (enabling output).
 2. Specify the setting in the RTOCIO register while the corresponding RTOSHTn bit is 0 (disabling forced cutoff).

Remark n = 0 to 7

12.4.2 Normal operation

The output waveform is not inverted, inverted, fixed to low level, or fixed to high level, according to the register settings. The settings of RTOOUTC0 and RTOOUTC1 can be changed during operation. Set the RTOSELn and RTOACTn bits at the same time. For details, see **Table 12-2 Operation of Cutoff Trigger Signal INTPO**.

Figure 12-9. Output Timing



12.4.3 Forced cutoff processing (RTOSHTn = 1)

The real-time output controller can forcibly cut off its output by using an external interrupt input as a trigger. Forced cutoff is available when the corresponding bit in the RTOSHT register is 1. The status of the cutoff output can be selected by using the RTOCIO register.

12.4.4 Forced cutoff using INTPO

(1) Executing forced cutoff

The output from the pins for which the corresponding RTOSHTn bit is 1 (enabling forced cutoff) is cut off when the external interrupt INTPO is input. INTPO can be detected at the rising edge, falling edge, and rising and falling edges. The output is cut off one or two clock cycles after INTPO is input. For details, see **Table 12-10**.

(2) Clearing forced cutoff

Bit 0 (RTOINTPCLR) of the RTOSTR register is used to clear the output cutoff state. If the RTOINTPCLR flag is set to 1 while the cutoff status flag RTOSHTFLG is 1, the RTOSHTFLG flag is cleared to 0 and the output cutoff state is cleared.

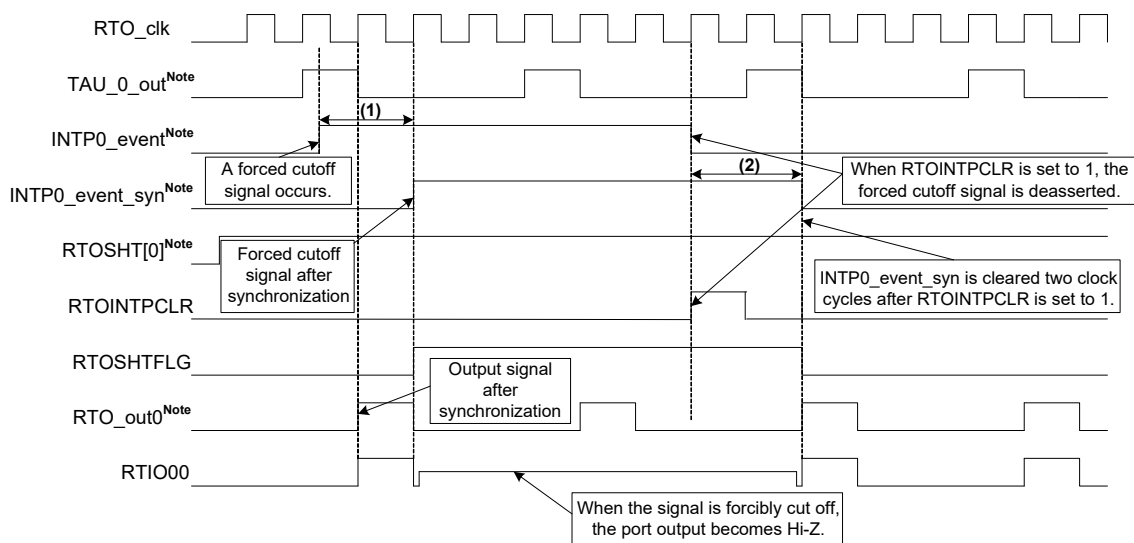
Remark n = 0 to 7

Table 12-2. Operation of Cutoff Trigger Signal INTP0

Bit	RTOSHTn	RTOSELn	RTOACTn	RTOSHTFLG	RTOCIO	RTIO0n Output
Setting	0	1	0	*	*	Not inverted
	0	1	1	*	*	Inverted
	0	0	0	*	*	Low level
	0	0	1	*	*	High level
	*	1	0	0	*	Not inverted
	*	1	1	0	*	Inverted
	*	0	0	0	*	Low level
	*	0	1	0	*	High level
	*	1	0	*	11	Not inverted
	*	1	1	*	11	Inverted
	*	0	0	*	11	Low level
	*	0	1	*	11	High level
	1	*	*	1	00	Hi-Z
	1	*	*	1	01	Low level
1	*	*	1	10	High level	

Remark n = 0 to 7

Figure 12-10. Timing of Entering and Exiting the Output Cutoff State by Using INTP0



(1) The forced cutoff state is entered one or two clock cycles after INTP0 occurs.

(2) The forced cutoff state is exited two clock cycles after INTP0 is cleared.

Note R7F0C807 internal signal

Caution A short pulse might occur when the output cutoff state is entered by using a cutoff trigger signal INTP0, at which the output level is changed to Hi-Z, low, or high, and when the output cutoff state is exited by using software.

12.5 Notes on Use

- (1) Specify the setting in the RTOSRC register before the corresponding RTOSELn bit is set to 1 (enabling output).
- (2) Specify the setting in the RTOCIO register while the corresponding RTOSHTn bit is 0 (disabling forced cutoff).
- (3) When PER.RTOEN=0, the RTO output and output cutoff feature cannot be used because the real-time output controller is initialized.
- (4) Before setting the cutoff state clear bit RTOINTPCLR to 1, make sure that the cutoff status flag RTOSHTFLG is 1 (output is cut off).

Remark n = 0 to 7

12.6 Example of Controlling Brushless DC Electric Motor

12.6.1 Overview

This section describes an example of how brushless DC electric motors (BLDC motors) are controlled by using the real-time output (RTO) controller. For details about BLDC motor control, refer to the application note.

Document Name	Document No.
直流无刷电机控制应用说明	R01AN2004CC0100_R7F0C807

(1) Hardware connection example

Figure 12-11 shows an example of BLDC motor hardware connection. In this example, RTIO00 to RTO05 (outputs) are used to control the BLDC motor output, INTP1 to INTP3 (inputs) are used to control the Hall-effect sensor output signal, and INTP0 (input) as the forced cutoff signal.

Figure 12-11. Hardware Connection Example

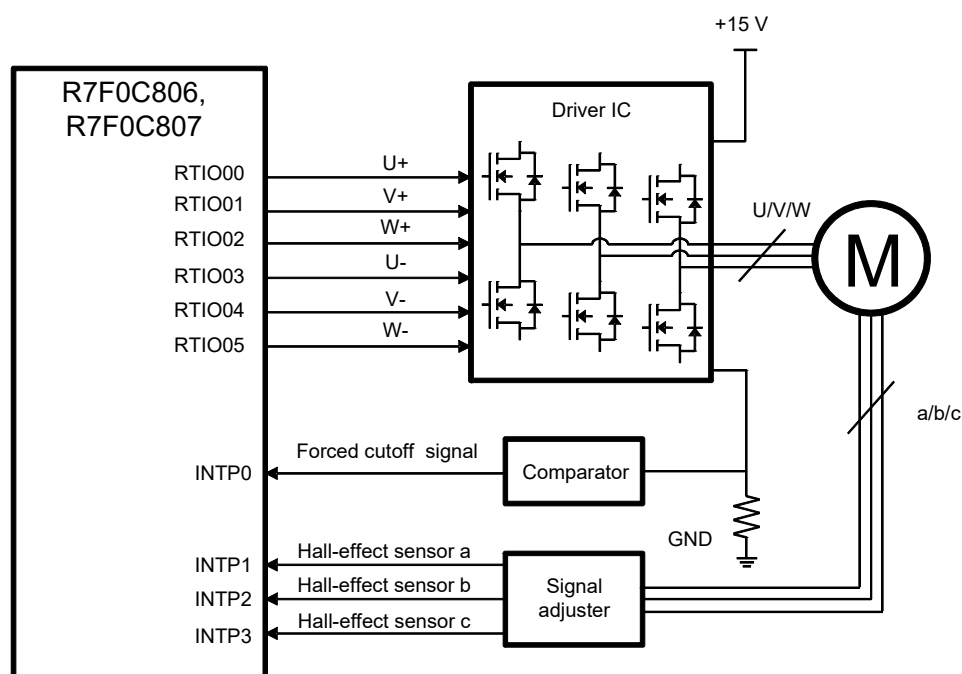
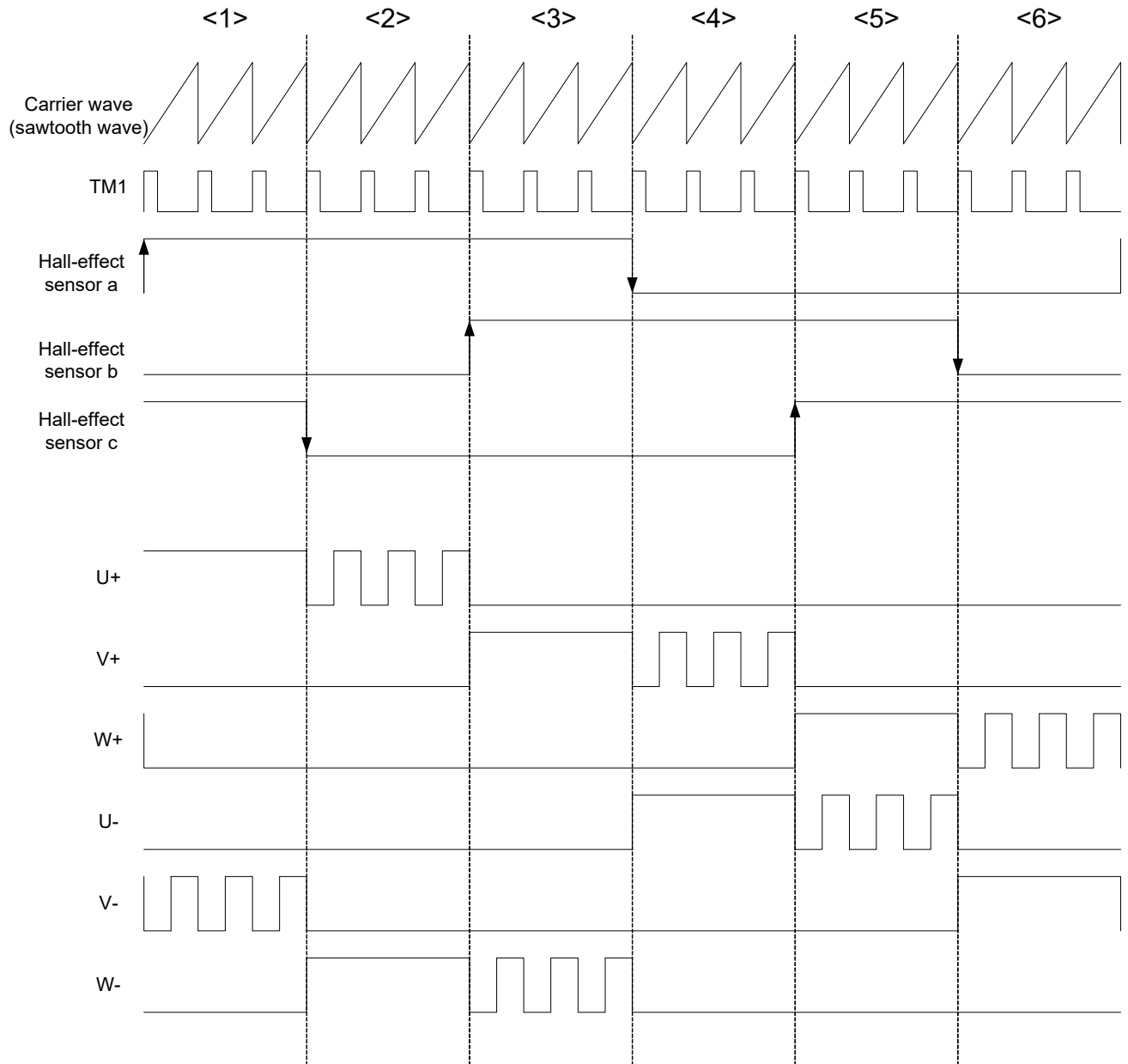


Table 12-3. Pins Used and Their Features

Pin Name	Input/Output	Function
P00/RTIO00	Output	Phase U+ output
P01/RTIO01	Output	Phase V+ output
P02/RTIO02	Output	Phase W+ output
P03/RTIO03	Output	Phase U- output
P04/RTIO04	Output	Phase V- output
P05/RTIO05	Output	Phase W- output
P11/(INTP1)	Input	Hall-effect sensor a
P15/INTP2	Input	Hall-effect sensor b
P14/INTP3	Input	Hall-effect sensor c
P137/INTP0	Input	Forced cutoff signal

12.6.2 Timing of controlling three-phase BLDC motors

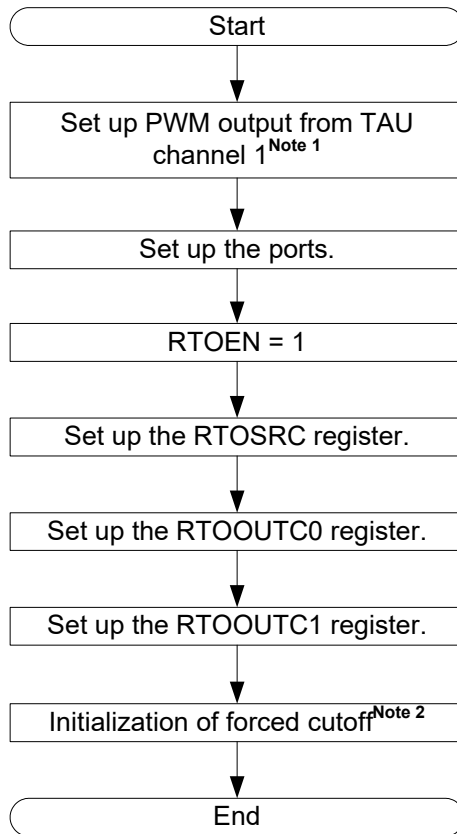
Figure 12-12. Timing of Controlling Three-Phase BLDC Motors



12.6.3 Flowchart of real-time output initialization

Figure 12-13 shows the flowchart of real-time output (RTO) initialization.

Figure 12-13. Flowchart of RTO Initialization



Notes 1. For details about the settings for PWM output from TAU channel 1, see **CHAPTER 6 TIMER ARRAY UNIT**.

2. For details about forced cutoff processing, see **12.4.3 Forced cutoff processing (RTOSHTn = 1)**.

12.6.4 Register setting example

The example below shows the setting for outputting a waveform that rotates BLDC motors in the forward direction by using the signals from RTIO00 to RTIO05 at the same time, by initializing the RTO source selection register (RTOSRC), RTO control register 0 (RTOOUTC0), and RTO control register 1 (RTOOUTC1).

- (1) Clear the RTOSRC5 to RTOSRC0 bits of the RTOSRC register to 0 to specify the TAU0 channel 1 as the source clock input to RTIO00 to RTIO05.

	7	6	5	4	3	2	1	0
RTOSRC	RTOSRC7 x	RTOSRC6 x	RTOSRC5 0	RTOSRC4 0	RTOSRC3 0	RTOSRC2 0	RTOSRC1 0	RTOSRC0 0

- (2) Set the RTOSEL3 to RTOSEL0 bits of the RTOOUTC0 register to 1 to enable outputting from RTIO00 to RTIO03. Set the RTOACT3 to RTOACT0 bits of the RTOOUTC0 register to 0 to output non-inverted signals from RTIO00 to RTIO03, which rotate BLDC motors in the forward direction.

	7	6	5	4	3	2	1	0
RTOOUTC0	RTOACT3 0	RTOACT2 0	RTOACT1 0	RTOACT0 0	RTOSEL3 1	RTOSEL2 1	RTOSEL1 1	RTOSEL0 1

- (3) Set the RTOSEL5 and RTOSEL4 bits of the RTOOUTC1 register to 1 to enable outputting from RTIO05 and RTIO04. Set the RTOACT5 and RTOACT4 bits of the RTOOUTC1 register to 0 to output non-inverted signals from RTIO05 and RTIO04, which rotate BLDC motors in the forward direction.

	7	6	5	4	3	2	1	0
RTOOUTC1	RTOACT7 x	RTOACT6 x	RTOACT5 0	RTOACT4 0	RTOSEL7 x	RTOSEL6 x	RTOSEL5 1	RTOSEL4 1

Table 12-4. Example of RTOOUT0 and RTOOUT1 Register Settings

Description	Value Set to RTOOUT0	Value Set to RTOOUT1
State 1: Rising edge of the output from Hall-effect sensor a Phase U+ invalid, U+ output in reverse direction, phase V- valid, and V- output in forward direction	0x10	0x01
State 2: Falling edge of the output from Hall-effect sensor c Phase U+ valid, U+ output in forward direction, phase W- invalid, and W- output in reverse direction	0x01	0x20
State 3: Rising edge of the output from Hall-effect sensor b Phase V+ invalid, V+ output in reverse direction, phase W- valid, and W- output in forward direction	0x20	0x02
State 4: Falling edge of the output from Hall-effect sensor a Phase V+ valid, V+ output in forward direction, phase U- invalid, and U- output in reverse direction	0x82	0x00
State 5: Rising edge of the output from Hall-effect sensor c Phase W+ invalid, W+ output in reverse direction, phase U- valid, and U- output in forward direction	0x48	0x00
State 6: Falling edge of the output from Hall-effect sensor b Phase W+ valid, W+ output in forward direction, phase V- invalid, and V- output in reverse direction	0x04	0x10

12.7 Example of Controlling Stepper Motors

12.7.1 Overview

This section describes an example of how two 2-phase stepper motors are controlled by using eight real-time output (RTO) pins. For details about stepper motor control, refer to the application note.

Document Name	Document No.
步进电机控制应用说明	R01AN2008CC0100_R7F0C807

12.7.2 Hardware connection example

Figure 12-14 shows an example of stepper motor hardware connection.

Figure 12-14. Hardware Connection Example

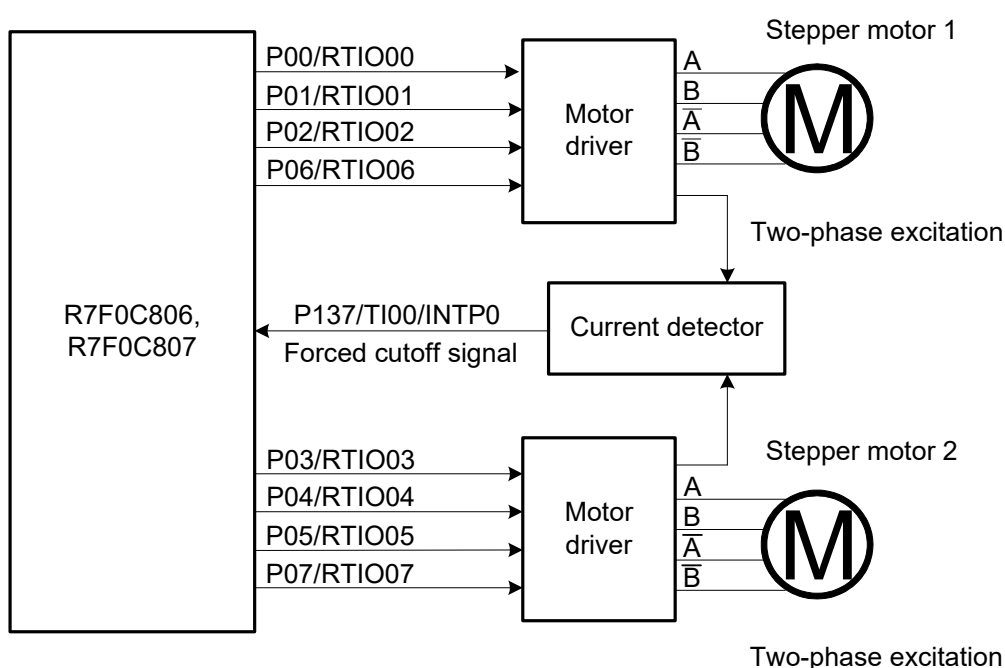


Table 12-5. Pins Used and Their Features

Pin Name	Input/Output	Function
P00/RTIO00	Output	Phase A output from stepper motor 1
P01/RTIO01	Output	Phase B output from stepper motor 1
P02/RTIO02	Output	Phase \bar{A} output from stepper motor 1
P06/RTIO06	Output	Phase \bar{B} output from stepper motor 1
P03/RTIO03	Output	Phase A output from stepper motor 2
P04/RTIO04	Output	Phase B output from stepper motor 2
P05/RTIO05	Output	Phase \bar{A} output from stepper motor 2
P07/RTIO07	Output	Phase \bar{B} output from stepper motor 2
P137/INTP0	Input	Forced cutoff signal

12.7.3 Controlling the stepper motors

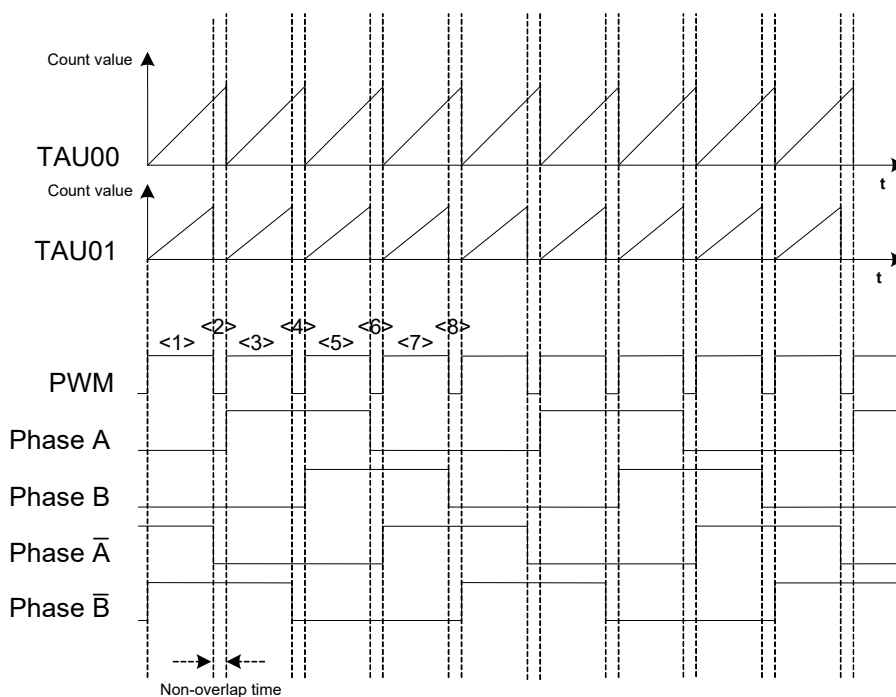
Eight RTIO pins are used to rotate and stop stepper motors in the forward and reverse directions in 2-phase excitation mode. PWM mode of the TAU is used to control the rotation speed.

In this example, TAU00 and TAU01 are used to control stepper motor 1, and TAU02 and TAU03 are used to control stepper motor 2. Pulses of any cycle and duty can be generated by combining the two TAU channels. TAU00 and TAU02 serve as master channels in interval timer mode, and TAU01 and TAU03 serve as slave channels in one-count mode.

Insert a non-overlap time to prevent a through current from flowing when the output pattern is switched.

Figure 12-15 shows an example of stepper motor controlling waveforms.

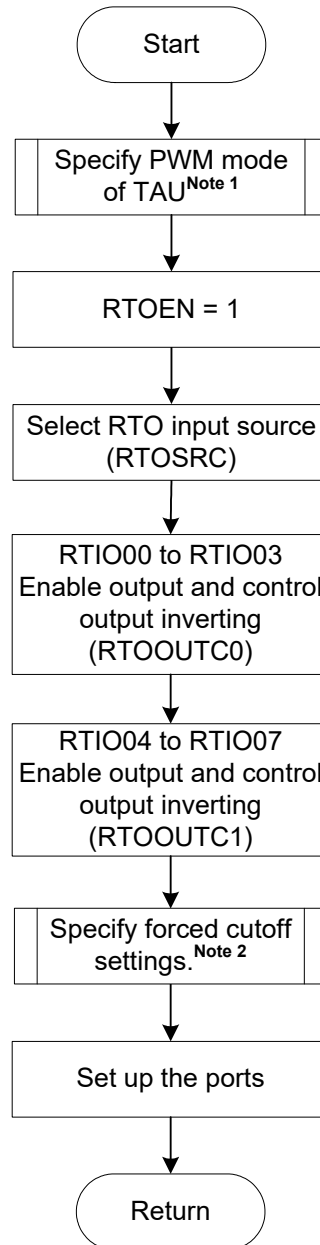
Figure 12-15. Example of Stepper Motor Controlling Waveforms



12.7.4 Flowchart of RTO initialization

Figure 12-16 shows the flowchart of real-time output (RTO) initialization.

Figure 12-16. Flowchart of RTO Initialization



Notes 1. For details about the settings for PWM output from TAU channel 1, see **CHAPTER 6 TIMER ARRAY UNIT**.

2. For details about forced cutoff processing, see **12.4.3 Forced cutoff processing (RTOSHTn = 1)**.

12.7.5 Register settings

Table 12-6. Example Settings for Registers That Control Stepper Motor 1

State		Value Set to RTOSRC	Value Set to RTOOUTC0	Value Set to RTOOUTC1
	<1>	0x00	0x40	0x40
	<2>	0x00	0x00	0x40
	<3>	0x00	0x10	0x40
	<4>	0x00	0x10	0x00
	<5>	0x00	0x30	0x00
	<6>	0x00	0x20	0x00
	<7>	0x00	0x60	0x00
	<8>	0x00	0x40	0x00

Table 12-7. Example Settings for Registers That Control Stepper Motor 2

State		Value Set to RTOSRC	Value Set to RTOOUTC0	Value Set to RTOOUTC1
	<1>	0x00	0x00	0xa0
	<2>	0x00	0x00	0x80
	<3>	0x00	0x80	0x80
	<4>	0x00	0x80	0x00
	<5>	0x00	0x80	0x10
	<6>	0x00	0x00	0x10
	<7>	0x00	0x00	0x30
	<8>	0x00	0x00	0x20

For details about the timing rotate in reverse direction, refer to the application note described in 12.7.1.

CHAPTER 13 INTERRUPT FUNCTIONS

The interrupt function switches the program execution to other processing. When the branch processing is finished, the program returns to the interrupted processing.

The number of interrupt sources differs, depending on the product.

		R7F0C806, R7F0C807 Products	R7F0C808, R7F0C809 Products
Maskable interrupts	External	7	7
	Internal	13	13

13.1 Interrupt Function Types

The following two types of interrupt functions are used.

(1) Maskable interrupts

These interrupts undergo mask control. Maskable interrupts can be divided into four priority groups by setting the priority specification flag registers (PR00L, PR00H, PR10L, PR10H, PR01L, PR11L).

Multiple interrupt servicing can be applied to low-priority interrupts when high-priority interrupts are generated. If two or more interrupt requests, each having the same priority, are simultaneously generated, then they are processed according to the priority of vectored interrupt servicing. For the priority order, see **Table 13-1**.

A standby release signal is generated and STOP and HALT modes are released.

External interrupt requests and internal interrupt requests are provided as maskable interrupts.

(2) Software interrupt

This is a vectored interrupt generated by executing the BRK instruction. It is acknowledged even when interrupts are disabled. The software interrupt does not undergo interrupt priority control.

13.2 Interrupt Sources and Configuration

Interrupt sources include maskable interrupts and software interrupts. In addition, they also have up to four reset sources (see **Table 13-1**). The vector codes that store the program start address when branching due to the generation of a reset or various interrupt requests are two bytes each, so interrupts jump to a 64 K address of 00000H to 0FFFFH.

Table 13-1. Interrupt Source List

Interrupt Type	Default Priority Note 1	Interrupt Source		Internal /External	Vector Table Address	Basic Configuration Type ^{Note 2}	
		Name	Trigger				
Maskable	0	INTWDTI	Watchdog timer interval (75% of overflow time + 3/(4 × f _{IL}))	Internal	0004H	(a)	
	1	INTP0	Pin input edge detection	External	0006H	(b)	
	2	INTP1			0008H		
	3	INTST0/ INTCSI00	UART0 transmission transfer end or buffer empty interrupt/CSI00 transfer end or buffer empty interrupt		Internal	000AH	(a)
	4	INTSR0	UART0 reception transfer end			000CH	
	5	INTSRE0	UART0 reception communication error occurrence			000EH	
	6	INTTM01H	End of counting or start of operations by timer channel 1 (at higher 8-bit timer operation)			0010H	
	7	INTTM00	End of counting, completion of capture, or start of operations by timer channel 0			0012H	
	8	INTTM01	End of counting, completion of capture, or start of operations by timer channel 1 (at 16-bit or lower 8-bit timer operation)			0014H	
	9	INTAD	End of A/D conversion			0016H	
	10	INTKR	Key return signal detection		External	0018H	(c)
	11	INTP2	Pin input edge detection		External	001AH	(b)
	12	INTP3				001CH	
	13	INTTM03H	End of counting or start of operations by timer channel 3 (at higher 8-bit timer operation)		Internal	001EH	(a)
	14	INTTM02	End of counting, completion of capture, or start of operations by timer channel 2			0022H	
	15	INTTM03	End of counting, completion of capture, or start of operations by timer channel 3 (at 16-bit or lower 8-bit timer operation)			0024H	
	17	INTIT	Signal detection by the interval timer			0026H	
	18	INTP4	Pin input edge detection		External	0028H	(b)
	19	INTP5				002AH	
Software	–	BRK	Execution of BRK instruction	–	007EH	(d)	
Reset	–	RESET	$\overline{\text{RESET}}$ pin input	–	0000H	–	
		SPOR	Selectable power-on-reset				
		WDT	Overflow of watchdog timer				
		TRAP	Execution of illegal instruction ^{Note 3}				

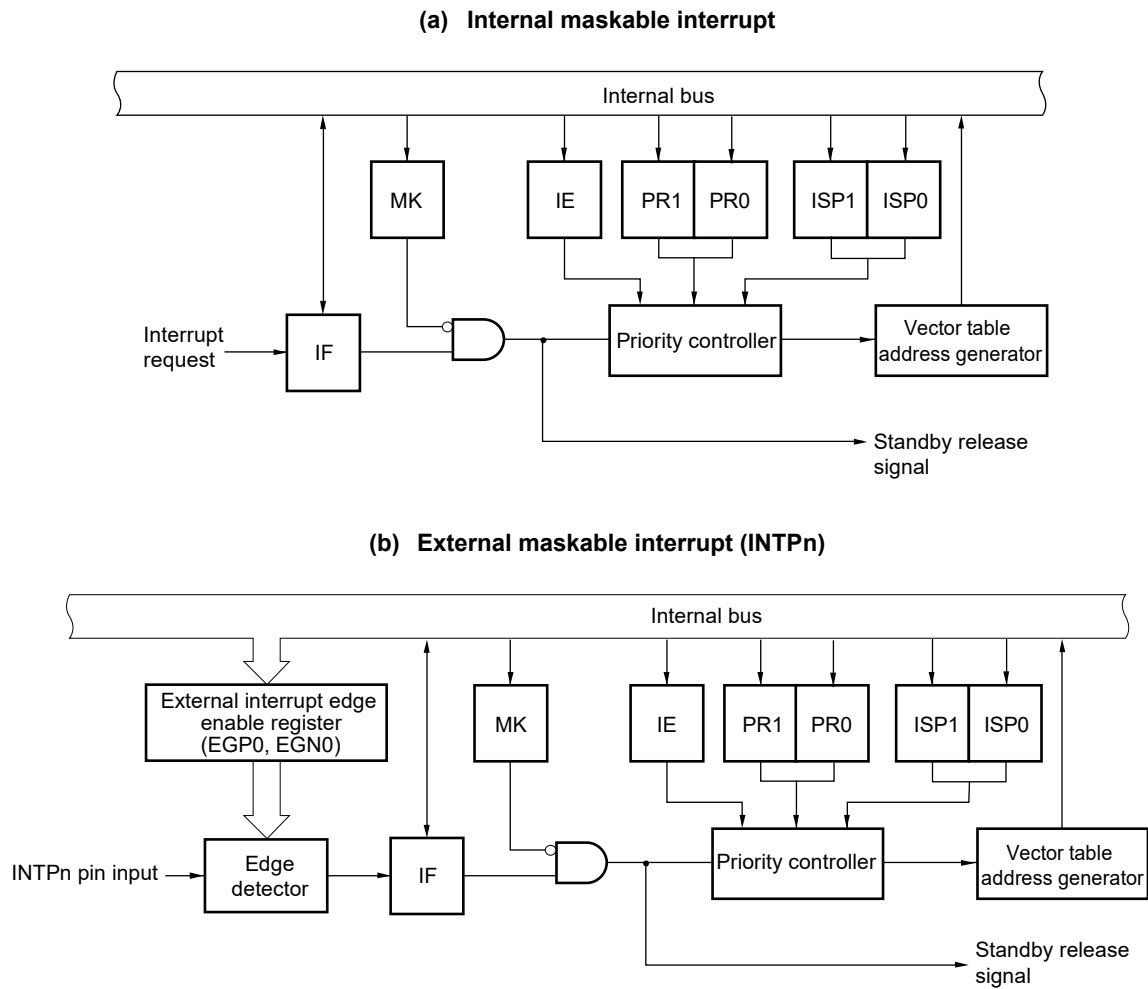
Notes 1. The default priority determines the sequence of interrupts if two or more maskable interrupts occur simultaneously. Zero indicates the highest priority and 10 indicates the lowest priority.

2. Basic configuration types (a) to (d) correspond to (a) to (d) in Figure 13-1.

3. When the instruction code in FFH is executed.

No reset is issued even if an illegal instruction is executed during emulation with the on-chip debug emulator.

Figure 13-1. Basic Configuration of Interrupt Function (1/2)

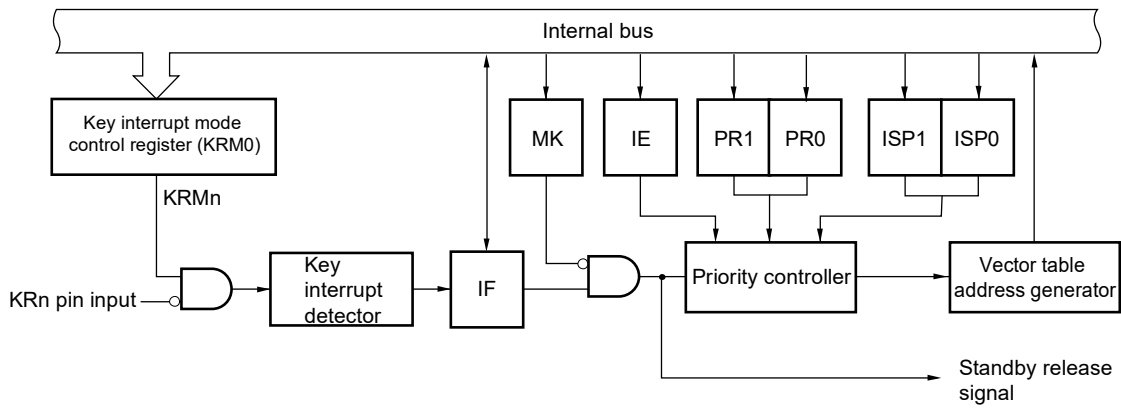


IF: Interrupt request flag
 IE: Interrupt enable flag
 ISP0: In-service priority flag 0
 ISP1: In-service priority flag 1
 MK: Interrupt mask flag
 PR0: Priority specification flag 0
 PR1: Priority specification flag 1

Remark n = 0 to 5

Figure 13-1. Basic Configuration of Interrupt Function (2/2)

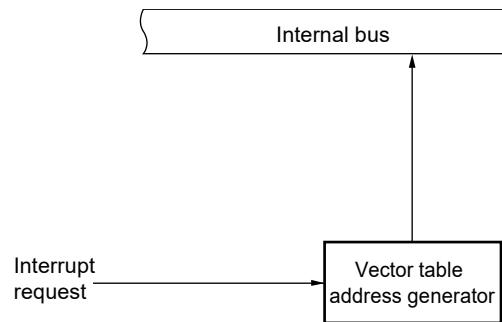
(c) External maskable interrupt (INTKR)



- IF: Interrupt request flag
- IE: Interrupt enable flag
- ISP0: In-service priority flag 0
- ISP1: In-service priority flag 1
- MK: Interrupt mask flag
- PR0: Priority specification flag 0
- PR1: Priority specification flag 1

Remark n = 0 to 7

(d) Software interrupt



13.3 Registers Controlling Interrupt Functions

The following 6 types of registers are used to control the interrupt functions.

- Interrupt request flag registers (IF0L, IF0H, IF1L)
- Interrupt mask flag registers (MK0L, MK0H, MK1L)
- Priority specification flag registers (PR00L, PR00H, PR10L, PR10H, PR01L, PR11L)
- External interrupt rising edge enable register 0 (EGP0)
- External interrupt falling edge enable register 0 (EGN0)
- Program status word (PSW)

Tables 13-2 shows a list of interrupt request flags, interrupt mask flags, and priority specification flags corresponding to interrupt request sources.

Table 13-2. Flags Corresponding to Interrupt Request Sources

Interrupt Source	Interrupt Request Flag		Interrupt Mask Flag		Priority Specification Flag	
		Register		Register		Register
INTWDTI	WDTIIF	IF0L	WDTIMK	MK0L	WDTIPR0 WDTIPR1	PR00L, PR10L
INTP0	PIF0		PMK0		PPR00 PPR10	
INTP1	PIF1		PMK1		PPR01 PPR11	
INTST0 ^{Note}	STIF0 ^{Note}		STMK0 ^{Note}		STPR00 STPR10 ^{Note}	
INTCSI00 ^{Note}	CSIF00 ^{Note}		CSIMK00 ^{Note}		CSIPR000 CSIPR100 ^{Note}	
INTSR0	SRIF0		SRMK0		SRPR00 SRPR10	
INTSRE0	SREIF0		SREMK0		SREPR00 SREPR10	
INTTM01H	TMIF01H		TMMK01H		TMPR001H TMPR101H	
INTTM00	TMIF00	TMMK00	TMPR000 TMPR100			
INTTM01	TMIF01	IF0H	TMMK01	MK0H	TMPR001 TMPR101	PR00H, PR10H
INTAD	ADIF		ADMK		ADPR0 ADPR1	
INTKR	KRIF		KRMK		KRPR0 KRPR1	
INTP2	PIF2		PMK2		PPR02 PPR12	
INTP3	PIF3		PMK3		PPR03 PPR13	
INTTM03H	TMIF03H		TMMK03H		TMPR003H TMPR103H	
INTTM02	TMIF02		TMMK02		TMPR002 TMPR102	
INTTM03	TMIF03	IF1L	TMMK03	MK1L	TMPR003 TMPR103	PR01L, PR11L
INTIT	ITIF		ITMK		ITPR0 ITPR1	
INTP4	PIF4		PMK4		PPR04 PPR14	
INTP5	PIF5		PMK5		PPR05 PPR15	

Note If interrupt source INTST0 or INTCSI00 occurs, bit 3 of the IF0L register is set to 1.
Bit 3 of the MK0L, PR00L, and PR10L registers supports these two interrupt sources.

13.3.1 Interrupt request flag registers (IF0L, IF0H, IF1L)

The interrupt request flags are set to 1 when the corresponding interrupt request is generated or an instruction is executed. They are cleared to 0 when the interrupt request is acknowledged, a reset signal is generated, or an instruction is executed.

When an interrupt is acknowledged, the interrupt request flag is automatically cleared and then the interrupt routine is entered.

IF0L, IF0H, and IF1L registers can be set by a 1-bit or 8-bit memory manipulation instruction. Reset signal generation clears these registers to 00H.

Remark If an instruction that writes data to this register is executed, the number of instruction execution clocks increases by 2 clocks.

Figure 13-2. Format of Interrupt Request Flag Registers (IF0L, IF0H, IF1L)

Address: FFFE0H After reset: 00H R/W

Symbol	<7>	<6>	<5>	<4>	<3>	<2>	<1>	<0>
IF0L	TMIF00	TMIF01H	SREIF0	SRIF0	STIF0 CSIF00	PIF1	PIF0	WDTIF

Address: FFFE1H After reset: 00H R/W

Symbol	<7>	6	<5>	<4>	<3>	<2>	<1>	<0>
IF0H	TMIF02	0	TMIF03H	PIF3	PIF2	KRIF	ADIF	TMIF01

Address: FFFE2H After reset: 00H R/W

Symbol	7	6	5	4	<3>	<2>	<1>	<0>
IF1L	0	0	0	0	PIF5	PIF4	ITIF	TMIF03

XXIFXX	Interrupt request flag
0	No interrupt request signal is generated
1	Interrupt request is generated, interrupt request status

- Cautions**
1. Do not change undefined bit data.
 2. When manipulating a flag of the interrupt request flag register, use a 1-bit memory manipulation instruction (CLR1). When describing in C language, use a bit manipulation instruction such as `IF0L.0 = 0;` or `_asm("clr1 IF0L.0");` because the compiled assembler must be a 1-bit memory manipulation instruction (CLR1).

If a program is described in C language such as `IF0L &= 0xfe;` and compiled, it becomes the assembler of three instructions.

```
mov a, IF0L
and a, #0FEH
mov IF0L, a
```

In this case, even if the request flag of the another bit of the same interrupt request flag register (IF0L) is set to 1 at the timing between “`mov a, IF0L`” and “`mov IF0L, a`”, the flag is cleared to 0 at “`mov IF0L, a`”. Therefore, care must be exercised when using an 8-bit memory manipulation instruction in C language.

13.3.2 Interrupt mask flag registers (MK0L, MK0H, MK1L)

The interrupt mask flags are used to enable/disable the corresponding maskable interrupt servicing.

The MK0L, MK0H, and MK1L registers can be set by a 1-bit or 8-bit memory manipulation instruction. Reset signal generation sets these registers to FFH.

Remark If an instruction that writes data to this register is executed, the number of instruction execution clocks increases by 2 clocks.

Figure 13-3. Format of Interrupt Mask Flag Registers (MK0L, MK0H, MK1L)

Address: FFFE4H After reset: FFH R/W

Symbol	<7>	<6>	<5>	<4>	<3>	<2>	<1>	<0>
MK0L	TMMK00	TMMK01H	SREMK0	SRMK0	STMK0 CSIMK00	PMK1	PMK0	WDTIMK

Address: FFFE5H After reset: FFH R/W

Symbol	<7>	6	<5>	<4>	<3>	<2>	<1>	<0>
MK0H	TMMK02	1	TMMK03H	PMK3	PMK2	KRMK	ADMK	TMMK01

Address: FFFE6H After reset: FFH R/W

Symbol	7	6	5	4	<3>	<2>	<1>	<0>
MK1L	1	1	1	1	PMK5	PMK4	ITMK	TMMK03

XXMKXX	Interrupt servicing control
0	Interrupt servicing enabled
1	Interrupt servicing disabled

Caution Do not change undefined bit data.

13.3.3 Priority specification flag registers (PR00L, PR00H, PR10L, PR10H, PR01L, PR11L)

The priority specification flag registers are used to set the priority level of the corresponding maskable interrupt.

A priority level is set by using the PR0xy and PR1xy registers in combination (xy = 0L, 0H, 1L).

The PR00L, PR00H, PR10L, PR10H, PR01L, and PR11L registers can be set by a 1-bit or 8-bit memory manipulation instruction.

Remark If an instruction that writes data to this register is executed, the number of instruction execution clocks increases by 2 clocks.

Figure 13-4. Format of Priority Specification Flag Registers (PR00L, PR00H, PR10L, PR10H, PR01L, PR11L)

Address: FFFE8H After reset: FFH R/W

Symbol	<7>	<6>	<5>	<4>	<3>	<2>	<1>	<0>
PR00L	TMPR000	TMPR001H	SREPR00	SRPR00	STPR00 CSIPR000	PPR01	PPR00	WDTIPR0

Address: FFFECH After reset: FFH R/W

Symbol	<7>	<6>	<5>	<4>	<3>	<2>	<1>	<0>
PR10L	TMPR100	TMPR101H	SREPR10	SRPR10	STPR10 CSIPR100	PPR11	PPR10	WDTIPR1

Address: FFFE9H After reset: FFH R/W

Symbol	<7>	6	<5>	<4>	<3>	<2>	<1>	<0>
PR00H	TMPR002	1	TMPR003H	PPR03	PPR02	KRPR0	ADPR0	TMPR001

Address: FFFEDH After reset: FFH R/W

Symbol	<7>	6	<5>	<4>	<3>	<2>	<1>	<0>
PR10H	TMPR102	1	TMPR103H	PPR13	PPR12	KRPR1	ADPR1	TMPR101

Address: FFFEAH After reset: FFH R/W

Symbol	7	6	5	4	<3>	<2>	<1>	<0>
PR01L	1	1	1	1	PPR05	PPR04	ITPR0	TMPR003

Address: FFFEEH After reset: FFH R/W

Symbol	7	6	5	4	<3>	<2>	<1>	<0>
PR11L	1	1	1	1	PPR15	PPR14	ITPR1	TMPR103

XXPR1X	XXPR0X	Priority level selection
0	0	Specifying level 0 (high priority)
0	1	Specifying level 1
1	0	Specifying level 2
1	1	Specifying level 3 (low priority)

Caution Do not change undefined bit data.

13.3.4 External interrupt rising edge enable register 0 (EGP0), external interrupt falling edge enable register 0 (EGN0)

These registers specify the valid edge for INTP0 to INTP5.

The EGP0 and EGN0 registers can be set by a 1-bit or 8-bit memory manipulation instruction.

Reset signal generation clears these registers to 00H.

Figure 13-5. Format of External Interrupt Rising Edge Enable Register 0 (EGP0) and External Interrupt Falling Edge Enable Register 0 (EGN0)

Address: FFF38H After reset: 00H R/W

Symbol	7	6	5	4	3	2	1	0
EGP0	0	0	EGP5	EGP4	EGP3	EGP2	EGP1	EGP0

Address: FFF39H After reset: 00H R/W

Symbol	7	6	5	4	3	2	1	0
EGN0	0	0	EGN5	EGN4	EGN3	EGN2	EGN1	EGN0

EGPn	EGNn	INTPn pin valid edge selection (n = 0 to 5)
0	0	Edge detection disabled
0	1	Falling edge
1	0	Rising edge
1	1	Both rising and falling edges

Caution When the input port pins used for the external interrupt functions are switched to the output mode, the INTPn interrupt might be generated upon detection of a valid edge. When switching the input port pins to the output mode, set the port mode register (PMxx) to 0 after disabling the edge detection (by setting EGPn and EGNn to 0).

Remarks

1. For the edge detection port, see 2.1 Port Functions.
2. n = 0 to 5

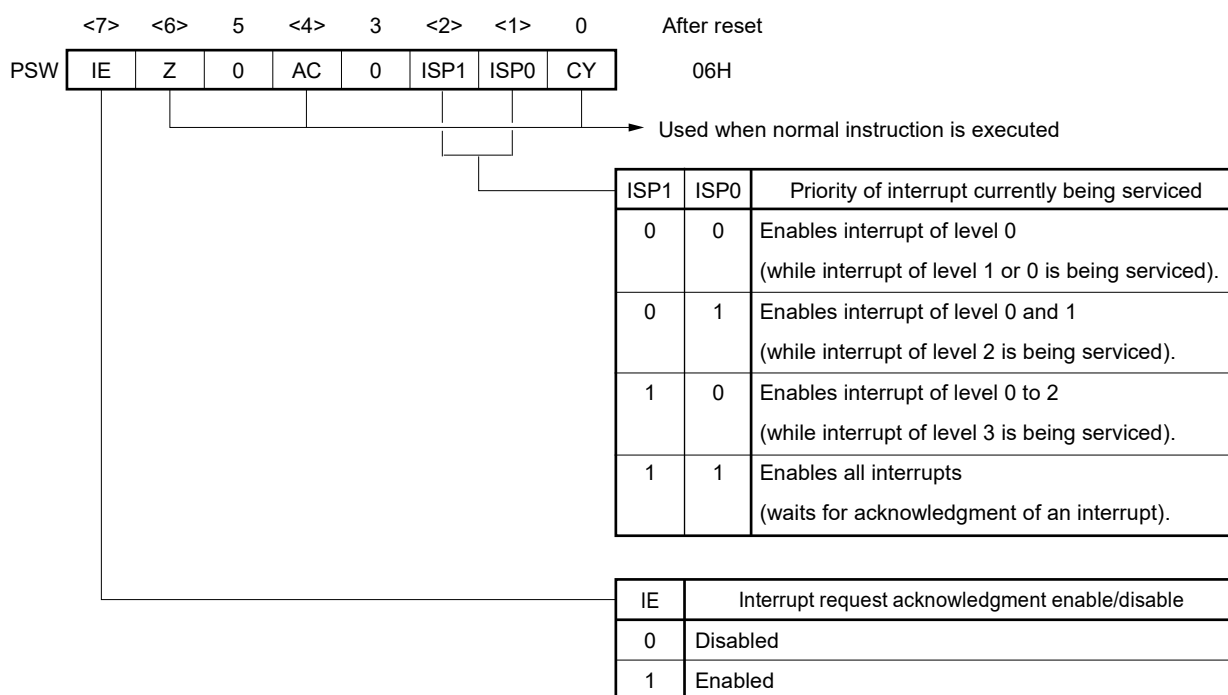
13.3.5 Program status word (PSW)

The program status word is a register used to hold the instruction execution result and the current status for an interrupt request. The IE flag that sets maskable interrupt enable/disable and the ISP0 and ISP1 flags that controls multiple interrupt servicing are mapped to the PSW.

Besides 8-bit read/write, this register can carry out operations using bit manipulation instructions and dedicated instructions (EI and DI). When a vectored interrupt request is acknowledged, if the BRK instruction is executed, the contents of the PSW are automatically saved into a stack and the IE flag is reset to 0. Upon acknowledgment of a maskable interrupt request, if the value of the priority specification flag register of the acknowledged interrupt is not 00, its value minus 1 is transferred to the ISP0 and ISP1 flags. The PSW contents are also saved into the stack with the PUSH PSW instruction. They are restored from the stack with the RETI, RETB, and POP PSW instructions.

Reset signal generation sets PSW to 06H.

Figure 13-6. Configuration of Program Status Word



13.4 Interrupt Servicing Operations

13.4.1 Maskable interrupt request acknowledgment

A maskable interrupt request becomes acknowledgeable when the interrupt request flag is set to 1 and the mask (MK) flag corresponding to that interrupt request is cleared to 0. A vectored interrupt servicing is acknowledged if interrupts are in the interrupt enabled state (when the IE flag is set to 1). However, a low-priority vectored interrupt request is not acknowledged during servicing of a higher priority interrupt request.

The times from generation of a maskable interrupt request until vectored interrupt servicing is performed are listed in Table 13-3 below.

For the interrupt request acknowledgment timing, see **Figures 13-8 and 13-9**.

Table 13-3. Time from Generation of Maskable Interrupt Until Servicing

	Minimum Time	Maximum Time ^{Note}
Servicing time	11 clocks	18 clocks

Note Maximum time does not apply when an instruction from the internal RAM area is executed.

Remark 1 clock: $1/f_{CLK}$ (f_{CLK} : CPU clock)

If two or more maskable interrupt requests are generated simultaneously, the request with a higher priority level specified in the priority specification flag is acknowledged first. If two or more interrupts requests have the same priority level, the request with the highest default priority is acknowledged first.

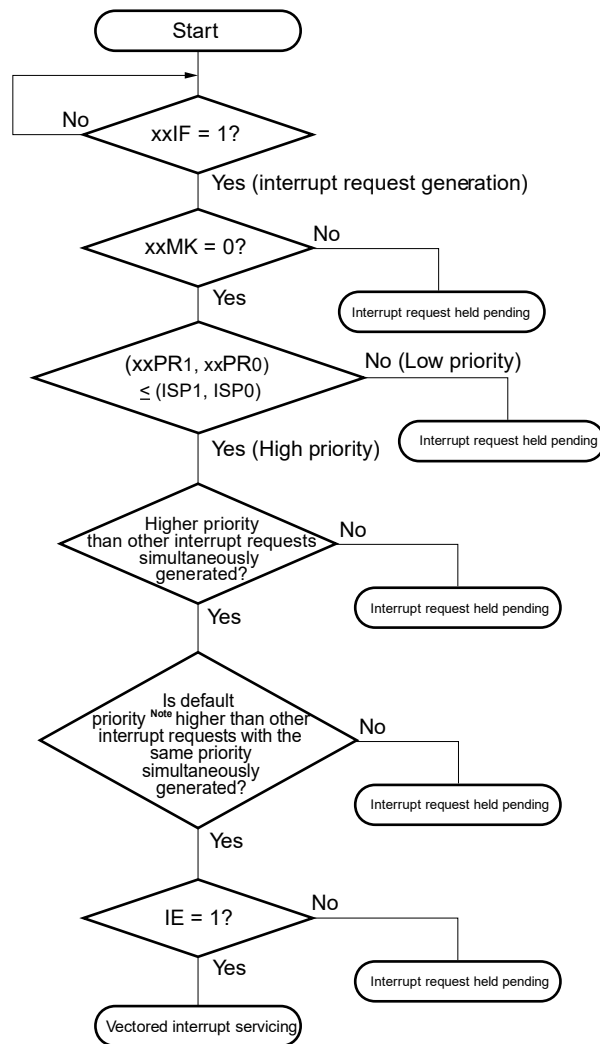
An interrupt request that is held pending is acknowledged when it becomes acknowledgeable.

Figure 13-7 shows the interrupt request acknowledgment algorithm.

If a maskable interrupt request is acknowledged, the contents are saved into the stacks in the order of PSW, then PC, the IE flag is reset (0), and the contents of the priority specification flag corresponding to the acknowledged interrupt are transferred to the ISP1 and ISP0 flags. The vector table data determined for each interrupt request is the loaded into the PC and branched.

Restoring from an interrupt is possible by using the RETI instruction.

Figure 13-7. Interrupt Request Acknowledgment Processing Algorithm



xxIF: Interrupt request flag

xxMK: Interrupt mask flag

xxPR0: Priority specification flag 0

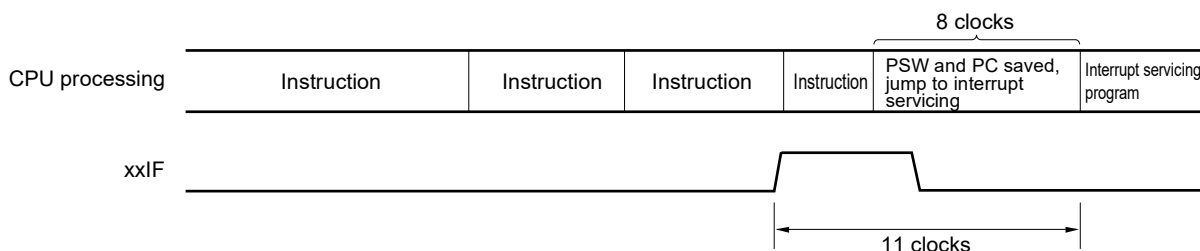
xxPR1: Priority specification flag 1

IE: Flag that controls acknowledgment of maskable interrupt request (1 = Enable, 0 = Disable)

ISP0, ISP1: Flag that indicates the priority level of the interrupt currently being serviced (see **Figure 13-6**)

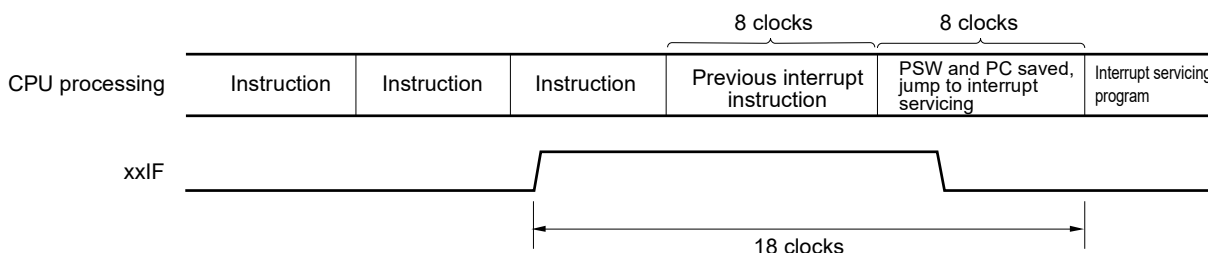
Note For the default priority, see **Table 13-1 Interrupt Source List**.

Figure 13-8. Interrupt Request Acknowledgment Timing (Minimum Time)



Remark 1 clock: $1/f_{CLK}$ (f_{CLK} : CPU clock)

Figure 13-9. Interrupt Request Acknowledgment Timing (Maximum Time)



Remark 1 clock: $1/f_{CLK}$ (f_{CLK} : CPU clock)

13.4.2 Software interrupt request acknowledgment

A software interrupt request is acknowledged by BRK instruction execution. Software interrupts cannot be disabled.

If a software interrupt request is acknowledged, the contents are saved into the stacks in the order of the program status word (PSW), then program counter (PC), the IE flag is reset (0), and the contents of the vector table (0007EH, 0007FH) are loaded into the PC and branched.

Restoring from a software interrupt is possible by using the RETB instruction.

Caution Can not use the RETI instruction for restoring from the software interrupt.

13.4.3 Multiple interrupt servicing

Multiple interrupt servicing occurs when another interrupt request is acknowledged during execution of an interrupt.

Multiple interrupt servicing does not occur unless the interrupt request acknowledgment enabled state is selected (IE = 1). When an interrupt request is acknowledged, interrupt request acknowledgment becomes disabled (IE = 0). Therefore, to enable multiple interrupt servicing, it is necessary to set (1) the IE flag with the EI instruction during interrupt servicing to enable interrupt acknowledgment.

Moreover, even if interrupts are enabled, multiple interrupt servicing may not be enabled, this being subject to interrupt priority control. Two types of priority control are available: default priority control and programmable priority control. Programmable priority control is used for multiple interrupt servicing.

In the interrupt enabled state, if an interrupt request with a priority equal to or higher than that of the interrupt currently being serviced is generated, it is acknowledged for multiple interrupt servicing. If an interrupt with a priority lower than that of the interrupt currently being serviced is generated during interrupt servicing, it is not acknowledged for multiple interrupt servicing. Interrupt requests that are not enabled because interrupts are in the interrupt disabled state or because they have a lower priority are held pending. When servicing of the current interrupt ends, the pending interrupt request is acknowledged following execution of at least one main processing instruction execution.

Table 13-4 shows relationship between interrupt requests enabled for multiple interrupt servicing and Figure 13-10 shows multiple interrupt servicing examples.

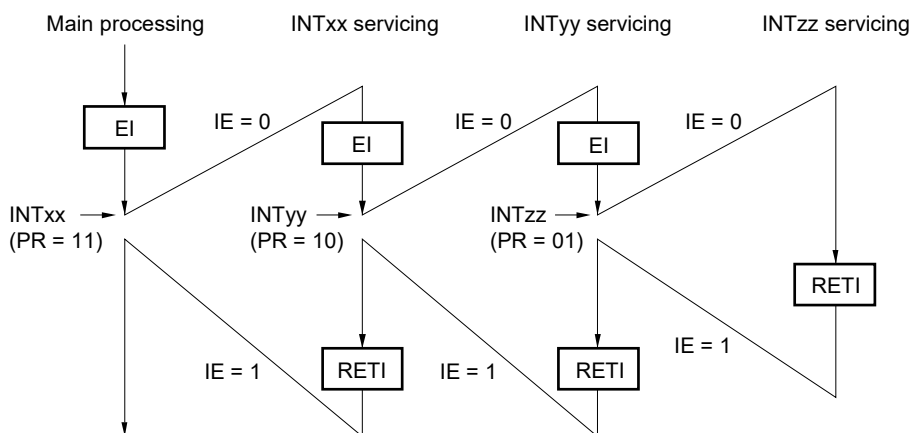
Table 13-4. Relationship Between Interrupt Requests Enabled for Multiple Interrupt Servicing During Interrupt Servicing

Multiple Interrupt Request Interrupt Being Serviced		Maskable Interrupt Request								Software Interrupt Request
		Priority Level 0 (PR = 00)		Priority Level 1 (PR = 01)		Priority Level 2 (PR = 10)		Priority Level 3 (PR = 11)		
		IE = 1	IE = 0	IE = 1	IE = 0	IE = 1	IE = 0	IE = 1	IE = 0	
Maskable interrupt	ISP1 = 0 ISP0 = 0	○	×	×	×	×	×	×	×	○
	ISP1 = 0 ISP0 = 1	○	×	○	×	×	×	×	×	○
	ISP1 = 1 ISP0 = 0	○	×	○	×	○	×	×	×	○
	ISP1 = 1 ISP0 = 1	○	×	○	×	○	×	○	×	○
Software interrupt		○	×	○	×	○	×	○	×	○

- Remarks**
- : Multiple interrupt servicing enabled
 - ×: Multiple interrupt servicing disabled
 - ISP0, ISP1, and IE are flags contained in the PSW.
 - ISP1 = 0, ISP0 = 0: An interrupt of level 1 or level 0 is being serviced.
 - ISP1 = 0, ISP0 = 1: An interrupt of level 2 is being serviced.
 - ISP1 = 1, ISP0 = 0: An interrupt of level 3 is being serviced.
 - ISP1 = 1, ISP0 = 1: Wait for An interrupt acknowledgment (enable all interrupts).
 - IE = 0: Interrupt request acknowledgment is disabled.
 - IE = 1: Interrupt request acknowledgment is enabled.
 - PR is a flag contained in the PR00L, PR00H, PR10L, PR10H, PR01L, and PR11L registers.
 - PR = 00: Specify level 0 with $\times\times PR1\times = 0$, $\times\times PR0\times = 0$ (higher priority level)
 - PR = 01: Specify level 1 with $\times\times PR1\times = 0$, $\times\times PR0\times = 1$
 - PR = 10: Specify level 2 with $\times\times PR1\times = 1$, $\times\times PR0\times = 0$
 - PR = 11: Specify level 3 with $\times\times PR1\times = 1$, $\times\times PR0\times = 1$ (lower priority level)

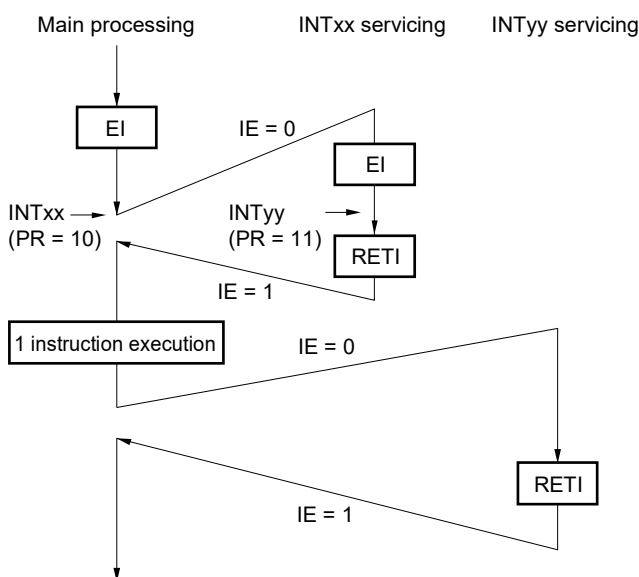
Figure 13-10. Examples of Multiple Interrupt Servicing (1/2)

Example 1. Multiple interrupt servicing occurs twice



During servicing of interrupt INTxx, two interrupt requests, INTyy and INTzz, are acknowledged, and multiple interrupt servicing takes place. Before each interrupt request is acknowledged, the EI instruction must always be issued to enable interrupt request acknowledgment.

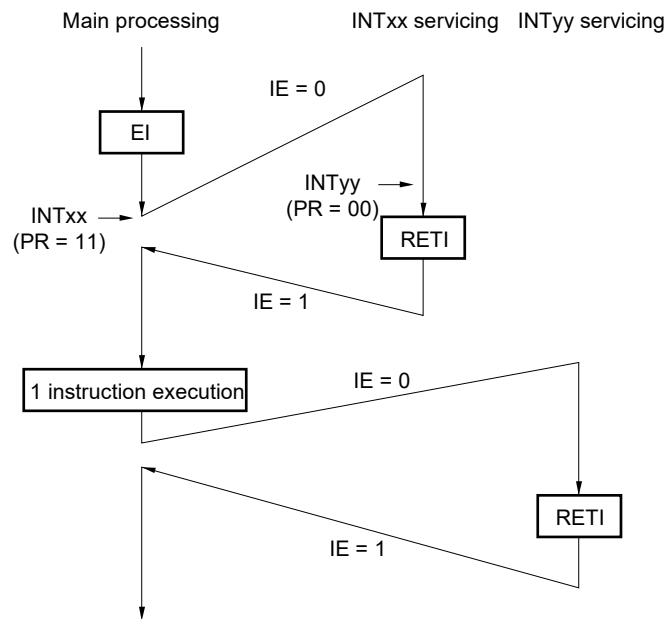
Example 2. Multiple interrupt servicing does not occur due to priority control



Interrupt request INTyy issued during servicing of interrupt INTxx is not acknowledged because its priority is lower than that of INTxx, and multiple interrupt servicing does not take place. The INTyy interrupt request is held pending, and is acknowledged following execution of one main processing instruction.

- PR = 00: Specify level 0 with $\times\times PR1\times = 0$, $\times\times PR0\times = 0$ (higher priority level)
- PR = 01: Specify level 1 with $\times\times PR1\times = 0$, $\times\times PR0\times = 1$
- PR = 10: Specify level 2 with $\times\times PR1\times = 1$, $\times\times PR0\times = 0$
- PR = 11: Specify level 3 with $\times\times PR1\times = 1$, $\times\times PR0\times = 1$ (lower priority level)
- IE = 0: Interrupt request acknowledgment is disabled
- IE = 1: Interrupt request acknowledgment is enabled.

Figure 13-10. Examples of Multiple Interrupt Servicing (2/2)

Example 3. Multiple interrupt servicing does not occur because interrupts are not enabled

Interrupts are not enabled during servicing of interrupt INTxx (EI instruction is not issued), therefore, interrupt request INTyy is not acknowledged and multiple interrupt servicing does not take place. The INTyy interrupt request is held pending, and is acknowledged following execution of one main processing instruction.

PR = 00: Specify level 0 with $\times\times PR1\times = 0$, $\times\times PR0\times = 0$ (higher priority level)

PR = 01: Specify level 1 with $\times\times PR1\times = 0$, $\times\times PR0\times = 1$

PR = 10: Specify level 2 with $\times\times PR1\times = 1$, $\times\times PR0\times = 0$

PR = 11: Specify level 3 with $\times\times PR1\times = 1$, $\times\times PR0\times = 1$ (lower priority level)

IE = 0: Interrupt request acknowledgment is disabled

IE = 1: Interrupt request acknowledgment is enabled.

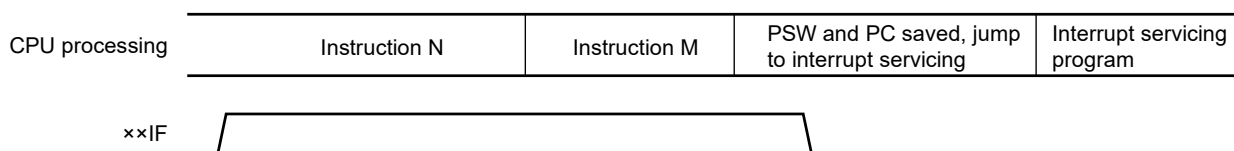
13.4.4 Interrupt request hold

There are instructions where, even if an interrupt request is issued while the instructions are being executed, interrupt request acknowledgment is held pending until the end of execution of the next instruction. These instructions (interrupt request hold instructions) are listed below.

- MOV PSW, #byte
- MOV PSW, A
- MOV1 PSW. bit, CY
- SET1 PSW. bit
- CLR1 PSW. bit
- RETB
- RETI
- POP PSW
- BTCLR PSW. bit, \$addr20
- EI
- DI
- SKC
- SKNC
- SKZ
- SKNZ
- SKH
- SKNH
- Instructions that write data for the IF0L, IF0H, IF1L, MK0L, MK0H, MK1L, PR00L, PR00H, PR10L, PR10H, PR01L, and PR11L registers

Figure 13-11 shows the timing at which interrupt requests are held pending.

Figure 13-11. Interrupt Request Hold



- Remarks**
1. Instruction N: Interrupt request hold instruction
 2. Instruction M: Instruction other than interrupt request hold instruction

CHAPTER 14 KEY INTERRUPT FUNCTION

14.1 Functions of Key Interrupt

A key interrupt (INTKR) can be generated by setting the key return mode register (KRM) and inputting a rising edge/falling edge to the key interrupt input pins (KR0 to KR7).

Table 14-1. Assignment of Key Interrupt Detection Pins

Key Interrupt Pins	Key Return Mode Registers (KRM0)	Key Return Flag Register (KRF)
KR0	KRM00	KRF0
KR1	KRM01	KRF1
KR2	KRM02	KRF2
KR3	KRM03	KRF3
KR4	KRM04	KRF4
KR5	KRM05	KRF5

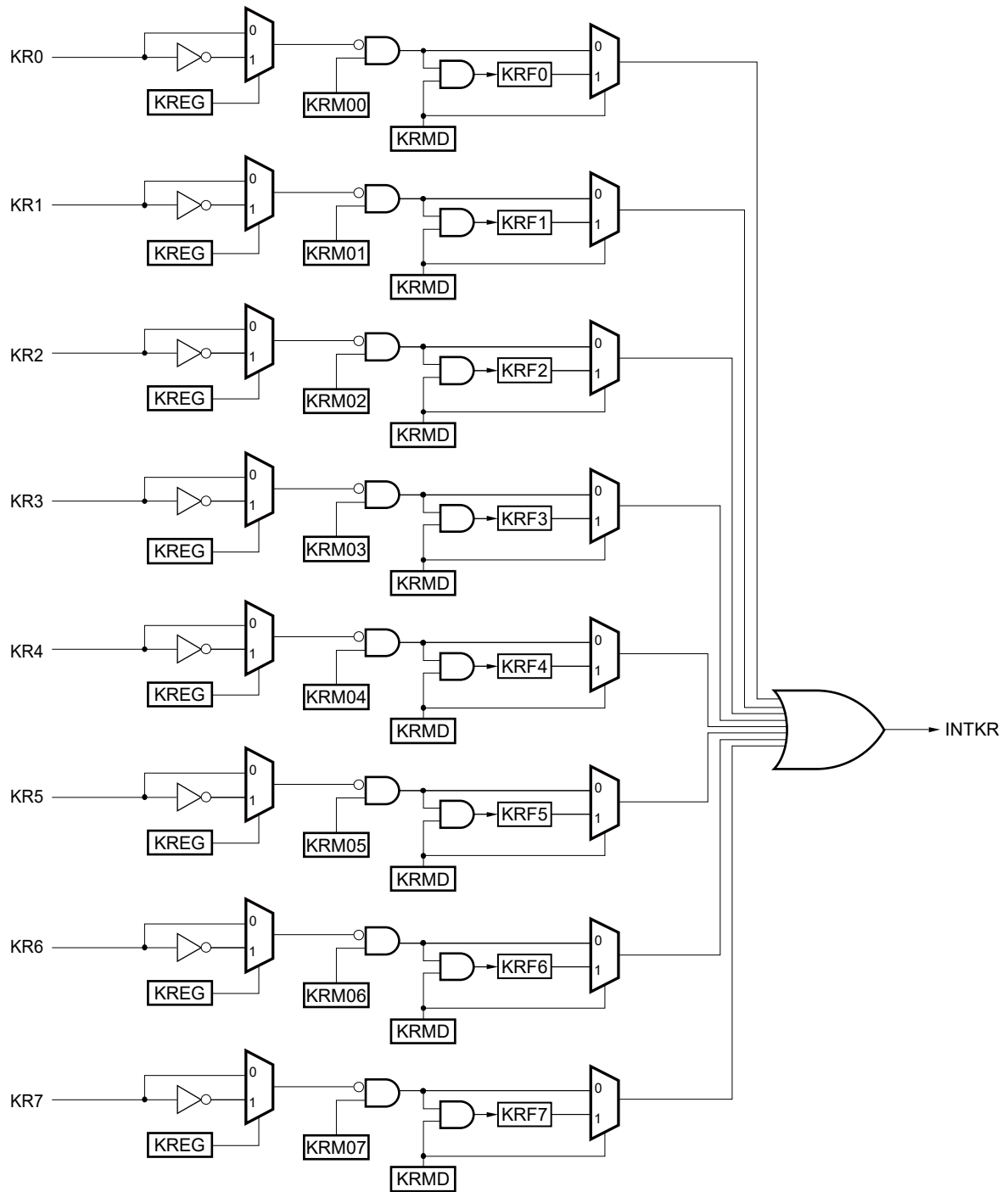
14.2 Configuration of Key Interrupt

The key interrupt includes the following hardware.

Table 14-2. Configuration of Key Interrupt

Item	Configuration
Control register	Key return control register (KRCTL) Key return mode register (KRM0) Key return flag register (KRF) Port mode control registers 0, 1 (PMC0, PMC1) Port mode registers 0, 1, 4 (PM0, PM1, PM4)

Figure 14-1. Block Diagram of Key Interrupt



14.3 Register Controlling Key Interrupt

The key interrupt function is controlled by the following five registers:

- Key return control register (KRCTL)
- Key return mode register (KRM0)
- Key return flag register (KRF)
- Port mode control register 0 (PMC0)
- Port mode registers 0 and 4 (PM0, PM4)

14.3.1 Key return control register (KRCTL)

This register controls the usage of the key return flags (KRF0 to KRF7) and sets the detection edge.

The KRCTL register can be set by a 1-bit or 8-bit memory manipulation instruction.

Reset signal generation clears this register to 00H.

Figure 14-2. Format of Key Return Control Register (KRCTL)

Address: FFF34H After reset: 00H R/W

Symbol	7	6	5	4	3	2	1	0
KRCTL	KRMD	0	0	0	0	0	0	KREG

KRMD	Usage of key return flags (KRF0 to KRF7)
0	Does not use key return flags
1	Uses key return flags

KREG	Selection of detection edge (KR0 to KR7)
0	Falling edge
1	Rising edge

KRMD	KREG	Interrupt function
0	0	Key interrupt, external interrupt (specified by the port level) Note
0	1	External interrupt (specified by the port level)
1	0	External interrupt (specified by the flag)
1	1	

Note When the falling edge is detected, the function and operation of the external interrupt are the same as those of the key interrupt.

14.3.2 Key return mode register (KRM0)

This register sets the key interrupt mode.

The KRM0 register can be set by a 1-bit or 8-bit memory manipulation instruction.

Reset signal generation clears these registers to 00H.

Figure 14-3. Format of Key Return Mode Register (KRM0)

Address: FFF37H After reset: 00H R/W

Symbol	7	6	5	4	3	2	1	0
KRM0	KRM07	KRM06	KRM05	KRM04	KRM03	KRM02	KRM01	KRM00

KRM0n	Key interrupt mode control (n = 0 to 7)
0	Does not detect key interrupt signal
1	Detects key interrupt signal

- Cautions**
1. When a key interrupt signal is detected (KRM0n = 1) by selecting the falling edge (KRMD = 0), pull up the relevant input pins to V_{DD} by an external resistor. The internal pull-up resistor can be used by setting the relevant bits to 1 in the key interrupt input pins PU07, PU10 to PU13, PU16, PU40, and PU125 (pull-up resistor registers 0, 1, 4, 12 (PU0, PU1, PU4, and PU12)).
 2. An interrupt will be generated if the target bit of the KRM0 register is set while a low level (when KREG = 0)/high level (when KREG = 1) is being input to the key interrupt input pin. To ignore this interrupt, set the KRM0 register after disabling interrupt servicing by using the interrupt mask flag. Afterward, clear the interrupt request flag and enable interrupt servicing.
 3. The bits not used in the key interrupt mode can be used as normal ports.

14.3.3 Key return flag register (KRF)

This register controls the key return flags (KRF0 to KRF7).

The KRF register can be set by a 1-bit or 8-bit memory manipulation instruction.

Reset signal generation clears this register to 00H.

Figure 14-4. Format of Key Return Flag Register (KRF)

Address: FFF35H After reset: 00H R/W^{Note}

Symbol	7	6	5	4	3	2	1	0
KRF	KRF7	KRF6	KRF5	KRF4	KRF3	KRF2	KRF1	KRF0

KRFn	Key interrupt flag (n = 0 to 7)
0	No key interrupt signal has been detected.
1	A key interrupt signal has been detected.

Note Writing to 1 is invalid. To clear KRFn, write “0” to the target bits and write “1” to other bits, with the 8-bit memory manipulation instruction.

Caution When the key interrupt flag is not used (KRMD = 0), accessing the KRF register is prohibited.

14.3.4 Registers controlling port functions of key interrupt input pins

Using a port pin for key interrupt input requires setting of the registers that control the port functions multiplexed on the target pin (port mode registers 0, 1, 4 (PM0, PM1, PM4) and port mode control register 0 (PMC0)).

For details, see **4.3.1 Port mode registers 0, 1, 4 (PM0, PM1, PM4)** and **4.3.6 Port mode control registers 0, 1 (PMC0, PMC1)**.

For an example of settings when using a port for key interrupt input, see **4.5.3 Example of register settings for port and alternate functions used**.

Using a port pin with a multiplexed key interrupt input function (e.g. P07/ANI0/SI00/RXD0/SDA00/KR2) for key interrupt input requires setting the corresponding bit in the port mode registers 0, 1, 4 (PM0, PM1, PM4) to 1, and the corresponding bit in the port mode control registers 0, 1 (PMC0, PMC1) to 0. In this case, the corresponding bit in the port registers 0, 1, 4 (P0, P1, P4) can be set to 0 or 1.

Example: When P07/ANI0/SI00/RXD0/SDA00/KR2 is to be used for key interrupt input

Clear the PMC07 bit of port mode control register 0 to “0”.

Set the PM07 bit of port mode register 0 to “1”.

Clear the P07 bit of port register 0 to “0”, or set to “1”.

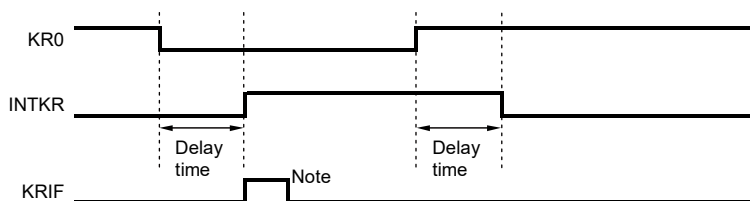
14.4 Key Interrupt Operation

14.4.1 When not using the key interrupt flag (KRMD = 0)

A key interrupt (INTKR) is generated when the valid edge specified by the setting of the KREG bit is input to a key interrupt pin (KR0 to KR7). The channel to which the valid edge was input can be identified by reading the port register and checking the port level after the key interrupt (INTKR) is generated.

The INTKR signal changes according to the input level of the key interrupt input pin (KR0 to KR7).

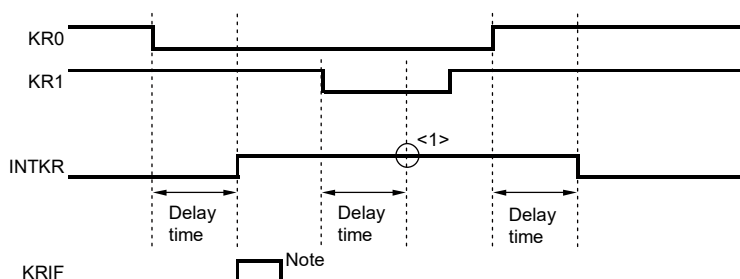
Figure 14-5. Operation of INTKR Signal When a Key Interrupt is Input to a Single Channel (When KRMD = 0 and KREG = 0)



Note Acknowledgment of vectored interrupt request or bit cleared by software

The operation when a valid edge is input to multiple key interrupt input pins is shown in Figure 14-6 below. The INTKR signal is set while a low level is being input to one pin (when KREG is set to 0). Therefore, even if a falling edge is input to another pin in this period, a key interrupt (INTKR) will not be generated again (<1> in the figure).

Figure 14-6. Operation of INTKR Signal When Key Interrupts Are Input to Multiple Channels (When KRMD = 0 and KREG = 0)



Note Acknowledgment of vectored interrupt request or bit cleared by software

14.4.2 When using the key interrupt flag (KRMD = 1)

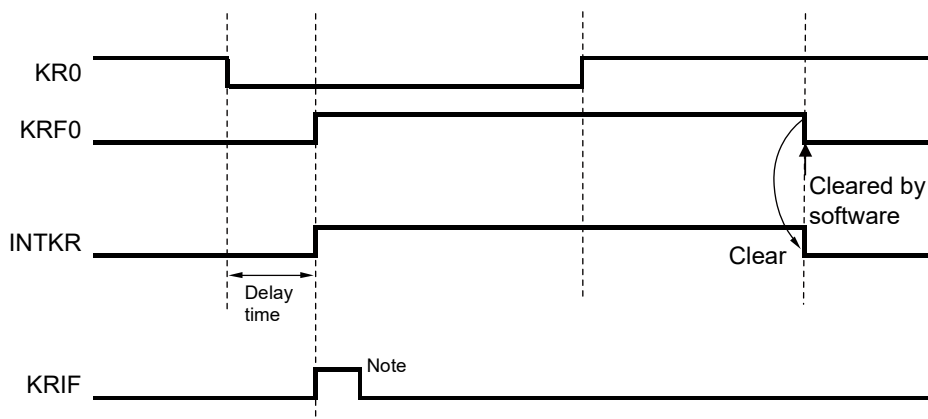
A key interrupt (INTKR) is generated when the valid edge specified by the setting of the KREG bit is input to a key interrupt pin (KR0 to KR7). The channels to which the valid edge was input can be identified by reading the key return flag register (KRF) after the key interrupt (INTKR) is generated.

If the KRMD bit is set to 1, the INTKR signal is cleared by clearing the corresponding bit in the KRF register.

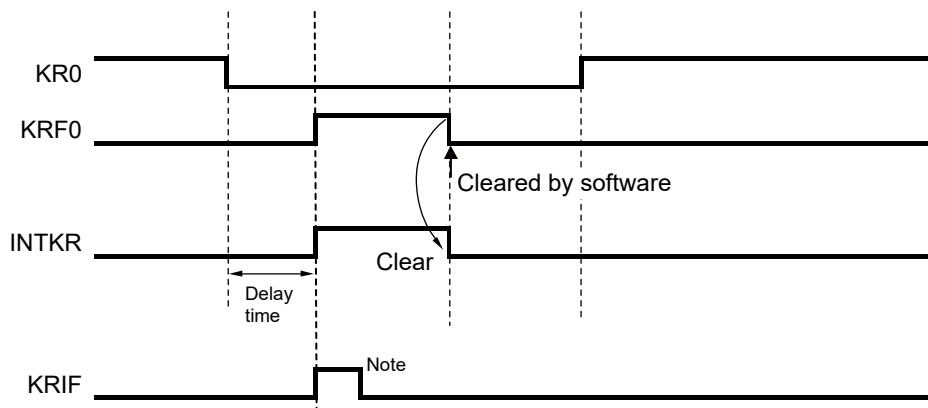
As shown in Figure 14-7, only one interrupt is generated each time a falling edge is input to one channel (when KREG = 0), regardless of whether the KRFn bit is cleared before or after a rising edge is input.

Figure 14-7. Basic Operation of the INTKR Signal When the Key Interrupt Flag Is Used (When KRMD = 1 and KREG = 0)

(a) When KRF0 is cleared after a rising edge is input to the KR0 pin



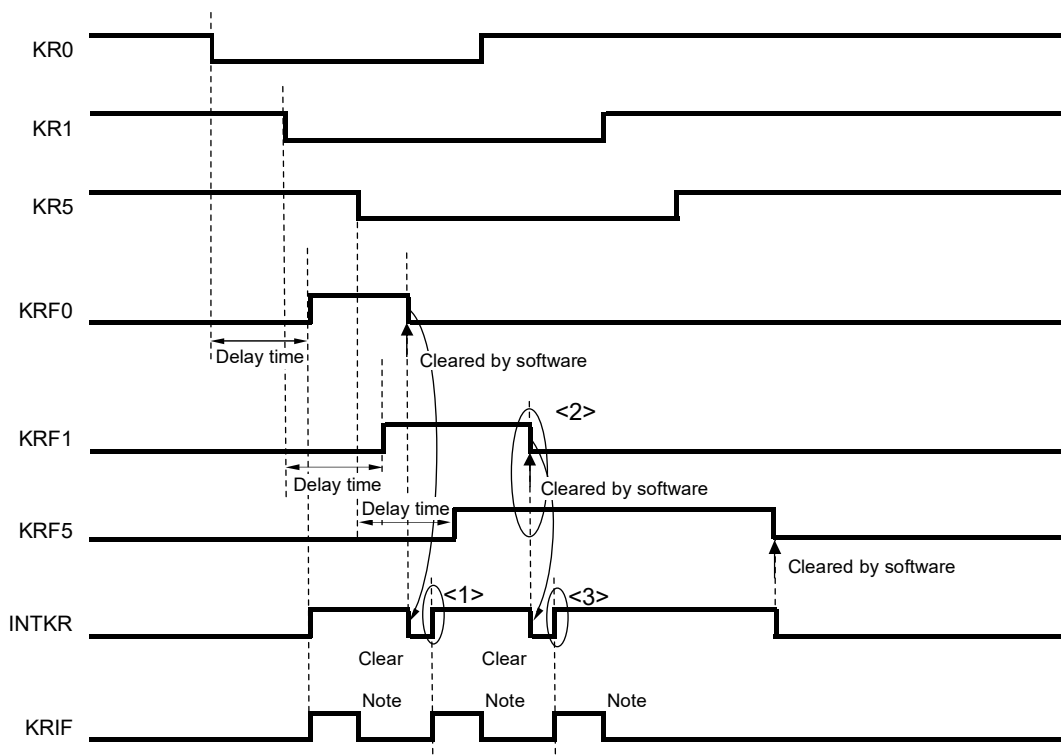
(b) When KRF0 is cleared before a rising edge is input to the KR0 pin



Note Acknowledgment of vectored interrupt request or bit cleared by software

The operation when a valid edge is input to multiple key interrupt input pins is shown in Figure 14-8 below. A falling edge is also input to the KR1 and KR5 pins after a falling edge was input to the KR0 pin (when KREG = 0). The KRF1 bit is set when the KRF0 bit is cleared. A key interrupt (INTKR) is therefore generated one clock (f_{CLK}) after the KRF0 bit is cleared (<1> in the figure). Also, after a falling edge has been input to the KR5 pin, the KRF5 bit is set (<2> in the figure) when the KRF1 bit is cleared. A key interrupt (INTKR) is therefore generated one clock (f_{CLK}) after the KRF1 bit is cleared (<3> in the figure). It is thus possible to generate a key interrupt (INTKR) when a valid edge is input to multiple channels.

Figure 14-8. Operation of INTKR Signal When Key Interrupts Are Input to Multiple Channels (When KRMD = 1 and KREG = 0)



Note Acknowledgment of vectored interrupt request or bit cleared by software

Remark f_{CLK} : CPU/peripheral hardware clock frequency

CHAPTER 15 STANDBY FUNCTION

15.1 Overview

The standby function reduces the operating current of the system, and the following three modes are available.

(1) HALT mode

HALT instruction execution sets the HALT mode. In the HALT mode, the CPU operation clock is stopped. If the high-speed on-chip oscillator is operating before the HALT mode is set, oscillation of clock continues. In this mode, the operating current is not decreased as much as in the STOP mode, but the HALT mode is effective for restarting operation immediately upon interrupt request generation and carrying out intermittent operations frequently.

(2) STOP mode

STOP instruction execution sets the STOP mode. In the STOP mode, the high-speed on-chip oscillator stop, stopping the whole system, thereby considerably reducing the CPU operating current.

Because this mode can be cleared by an interrupt request, it enables intermittent operations to be carried out.

In either of these two modes, all the contents of registers, flags and data memory just before the standby mode is set are held. The I/O port output latches and output buffer statuses are also held.

- Cautions**
- 1. The following sequence is recommended for operating current reduction of the A/D converter when the standby function is used: First clear bit 7 (ADCS) and bit 0 (ADCE) of A/D converter mode register 0 (ADM0) to 0 to stop the A/D conversion operation, and then execute the STOP instruction.**
 - 2. It can be selected by the option byte and operation speed mode control register (OSMC) whether the low-speed on-chip oscillator continues oscillating or stops in the HALT or STOP mode. For details, see CHAPTER 5 CLOCK GENERATOR and CHAPTER 18 OPTION BYTE.**

15.2 Standby Function Operation

15.2.1 HALT mode

(1) HALT mode

The HALT mode is set by executing the HALT instruction.

The operating statuses in the HALT mode are shown below.

Caution Because the interrupt request signal is used to clear the HALT mode, if the interrupt mask flag is 0 (the interrupt processing is enabled) and the interrupt request flag is 1 (the interrupt request signal is generated), the HALT mode is not entered even if the HALT instruction is executed in such a situation.

Table 15-1. Operating Statuses in HALT Mode

HALT Mode Setting		When HALT Instruction Is Executed While CPU Is Operating on Main System Clock
Item		When CPU Is Operating on High-speed On-chip Oscillator Clock (f _H)
System clock		Clock supply to the CPU is stopped
High-speed on-chip oscillator clock	f _H	Operation continues (cannot be stopped)
Low-speed on-chip oscillator clock	f _L	Set by bits 0 (WDSTBYON) and 4 (WDTON) of option byte (000C0H), and bit 4 (WUTMMCK0) of operation speed mode control register (OSMC) <ul style="list-style-type: none"> • WUTMMCK0 = 1: Oscillates • WUTMMCK0 = 0 and WDTON = 0: Stops • WUTMMCK0 = 0, WDTON = 1, and WDSTBYON = 1: Oscillates • WUTMMCK0 = 0, WDTON = 1, and WDSTBYON = 0: Stops
CPU		Operation stopped
Code flash memory		Operation stopped
RAM		
Port (latch)		Status before HALT mode was set is retained
Timer array unit		Operable
RTO ^{Note}		
12-bit interval timer		
Watchdog timer		Set by bit 0 (WDSTBYON) of option byte (000C0H) <ul style="list-style-type: none"> • WDSTBYON = 0: Operation stopped • WDSTBYON = 1: Operation continues
Clock output/buzzer output		Operable
A/D converter		
Serial array unit (SAU)		
Selectable power-on-reset function		
External interrupt		
Key interrupt function		

Note R7F0C806 and R7F0C807 products only.

Remark Operation stopped: Operation is automatically stopped before switching to the HALT mode.

Operation disabled: Operation is stopped before switching to the HALT mode.

f_H: High-speed on-chip oscillator clock

f_L: Low-speed on-chip oscillator clock

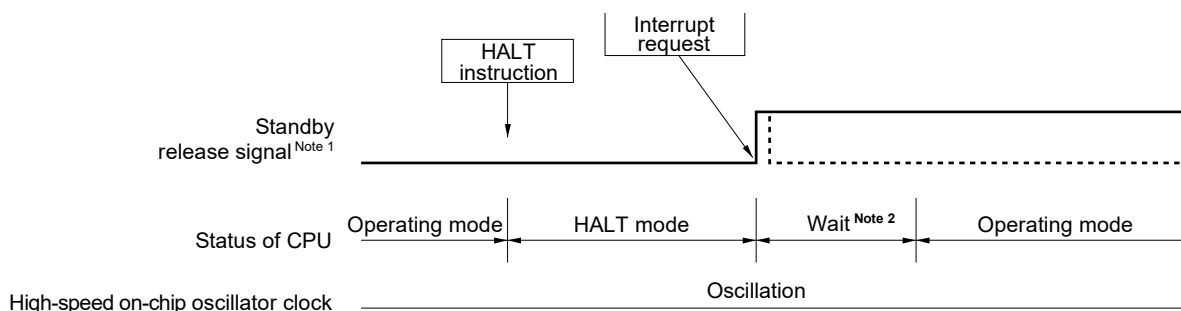
(2) HALT mode release

The HALT mode can be released by the following two sources.

(a) Release by unmasked interrupt request

When an unmasked interrupt request is generated, the HALT mode is released. If interrupt acknowledgment is enabled, vectored interrupt servicing is carried out. If interrupt acknowledgment is disabled, the next address instruction is executed.

Figure 15-1. HALT Mode Release by Interrupt Request Generation



Notes 1. For details of the standby release signal, see **Figure 13-1 Basic Configuration of Interrupt Function**.

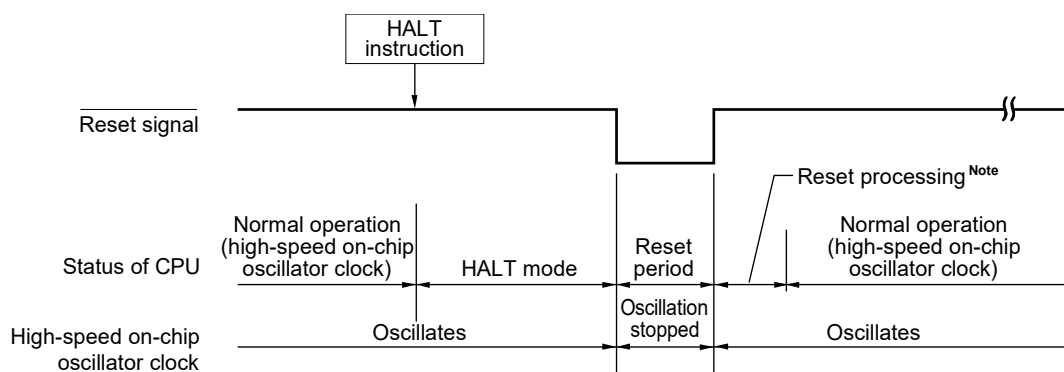
- 2.** Wait time inserted until HALT mode release
 - When vectored interrupt servicing is carried out: 28 to 29 clocks
 - When vectored interrupt servicing is not carried out: 20 to 21 clocks

Remark The broken lines indicate the case when the interrupt request which has released the standby mode is acknowledged.

(b) HALT mode release by reset signal generation

When the reset signal is generated, HALT mode is released, and then, as in the case with a normal reset operation, the program is executed after branching to the reset vector address.

Figure 15-2. HALT Mode Release by Reset Signal Generation



Note For the reset processing time, see **CHAPTER 16 RESET FUNCTION**. For the reset processing time of the SPOR circuit, see **CHAPTER 17 SELECTABLE POWER-ON-RESET CIRCUIT**.

15.2.2 STOP mode

(1) STOP mode setting and operating statuses

The STOP mode is set by executing the STOP instruction.

Caution Because the interrupt request signal is used to clear the STOP mode, if the interrupt mask flag is 0 (the interrupt processing is enabled) and the interrupt request flag is 1 (the interrupt request signal is generated), the STOP mode is immediately cleared if set when the STOP instruction is executed in such a situation. Accordingly, once the STOP instruction is executed, the system returns to its normal operating mode after the elapse of release time from the STOP mode.

The operating statuses in the STOP mode are shown below.

Table 15-2. Operating Statuses in STOP Mode

STOP Mode Setting		When STOP Instruction Is Executed While CPU Is Operating	
		When CPU Is Operating on High-speed On-chip Oscillator Clock (f_{IH})	
Item			
System clock		Clock supply to the CPU is stopped	
High-speed on-chip oscillator clock	f_{IH}	Stopped	
Low-speed on-chip oscillator clock	f_{IL}	Set by bits 0 (WDSTBYON) and 4 (WDTON) of option byte (000C0H), and bit 4 (WUTMMCK0) of operation speed mode control register (OSMC) <ul style="list-style-type: none"> ● WUTMMCK0 = 1: Oscillates ● WUTMMCK0 = 0 and WDTON = 0: Stops ● WUTMMCK0 = 0, WDTON = 1, and WDSTBYON = 1: Oscillates ● WUTMMCK0 = 0, WDTON = 1, and WDSTBYON = 0: Stops 	
CPU		Operation stopped	
Code flash memory			
RAM		Operation stopped	
Port (latch)		Status before STOP mode was set is retained	
Timer array unit		Operation disabled	
RTO ^{Note}			
12-bit interval timer			
Watchdog timer		Set by bit 0 (WDSTBYON) of option byte (000C0H) <ul style="list-style-type: none"> ● WDSTBYON = 0: Operation stopped ● WDSTBYON = 1: Operation continues 	
Clock output/buzzer output		Operation disabled	
A/D converter			
Serial array unit (SAU)		Operation disabled	
Selectable power-on-reset function		Operable	
External interrupt			
Key interrupt function			

Note R7F0C806 and R7F0C807 products only.

(Cautions and Remark are listed on the next page.)

- Cautions**
1. To use the peripheral hardware for which the clock that stops oscillating in the STOP mode after the STOP mode is released, restart the peripheral hardware.
 2. To stop the low-speed on-chip oscillator clock in the STOP mode, must previously be set an option byte to stop the watchdog timer operation in the HALT/STOP mode (bit 0 (WDSTBYON) of 000C0H = 0).

Remark Operation stopped: Operation is automatically stopped before switching to the STOP mode.
 Operation disabled: Operation is stopped before switching to the STOP mode.

f_H: High-speed on-chip oscillator clock
 f_L: Low-speed on-chip oscillator clock

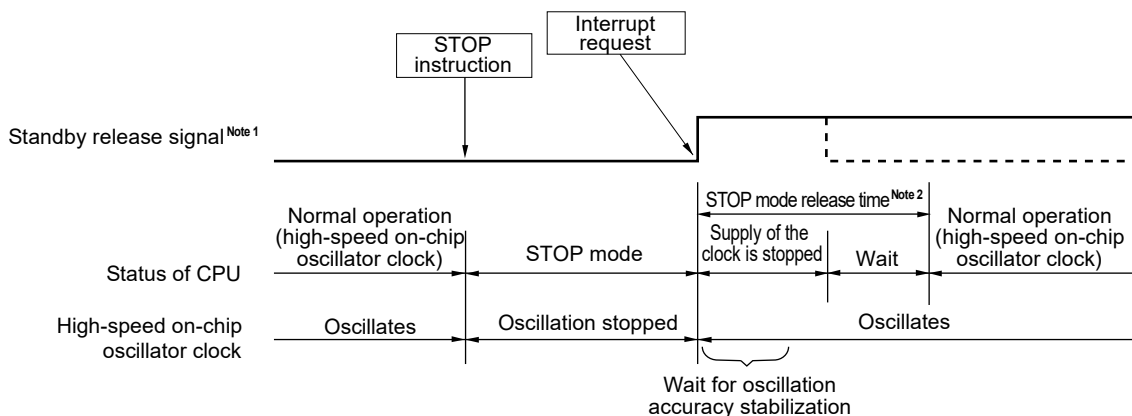
(2) STOP mode release

The STOP mode can be released by the following two sources.

(a) STOP mode release by unmasked interrupt request

When an unmasked interrupt request is generated, the STOP mode is released. After the oscillation stabilization time has elapsed, if interrupt acknowledgment is enabled, vectored interrupt servicing is carried out. If interrupt acknowledgment is disabled, the next address instruction is executed.

Figure 15-3. STOP Mode Release by Interrupt Request Generation



Notes 1. For details of the standby release signal, see **Figure 13-1 Basic Configuration of Interrupt Function**.

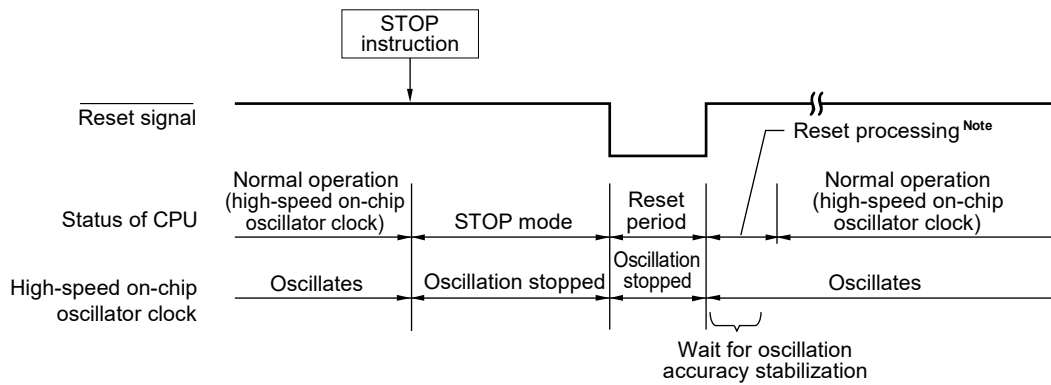
2. STOP mode release time
 Supply of the clock is stopped: 27 μ s (TYP.)
 Wait time inserted until STOP mode release
 - When vectored interrupt servicing is carried out: 11 clocks
 - When vectored interrupt servicing is not carried out: 3 clocks

Remarks 1. The clock supply stop time varies depending on the temperature conditions and STOP mode period.
 2. The broken lines indicate the case when the interrupt request that has released the standby mode is acknowledged.

(b) Release by reset signal generation

When the reset signal is generated, STOP mode is released, and then, as in the case with a normal reset operation, the program is executed after branching to the reset vector address.

Figure 15-4. STOP Mode Release by Interrupt Request Generation



Note For the reset processing time, see **CHAPTER 16 RESET FUNCTION**.

For the reset processing time of the SPOR circuit, see **CHAPTER 17 SELECTABLE POWER-ON-RESET CIRCUIT**.

CHAPTER 16 RESET FUNCTION

The following five operations are available to generate a reset signal.

- (1) External reset input via $\overline{\text{RESET}}$ pin
- (2) Internal reset by watchdog timer program loop detection
- (3) Internal reset by comparison of supply voltage and detection voltage of selectable power-on-reset (SPOR) circuit
- (4) Internal reset by execution of illegal instruction^{Note 1}
- (5) Internal reset by the data retention voltage^{Note 2}

External and internal resets start program execution from the address at 0000H and 0001H when the reset signal is generated.

Notes1. This reset occurs when instruction code FFH is executed.

This reset does not occur during emulation using an in-circuit emulator or an on-chip debugging emulator.

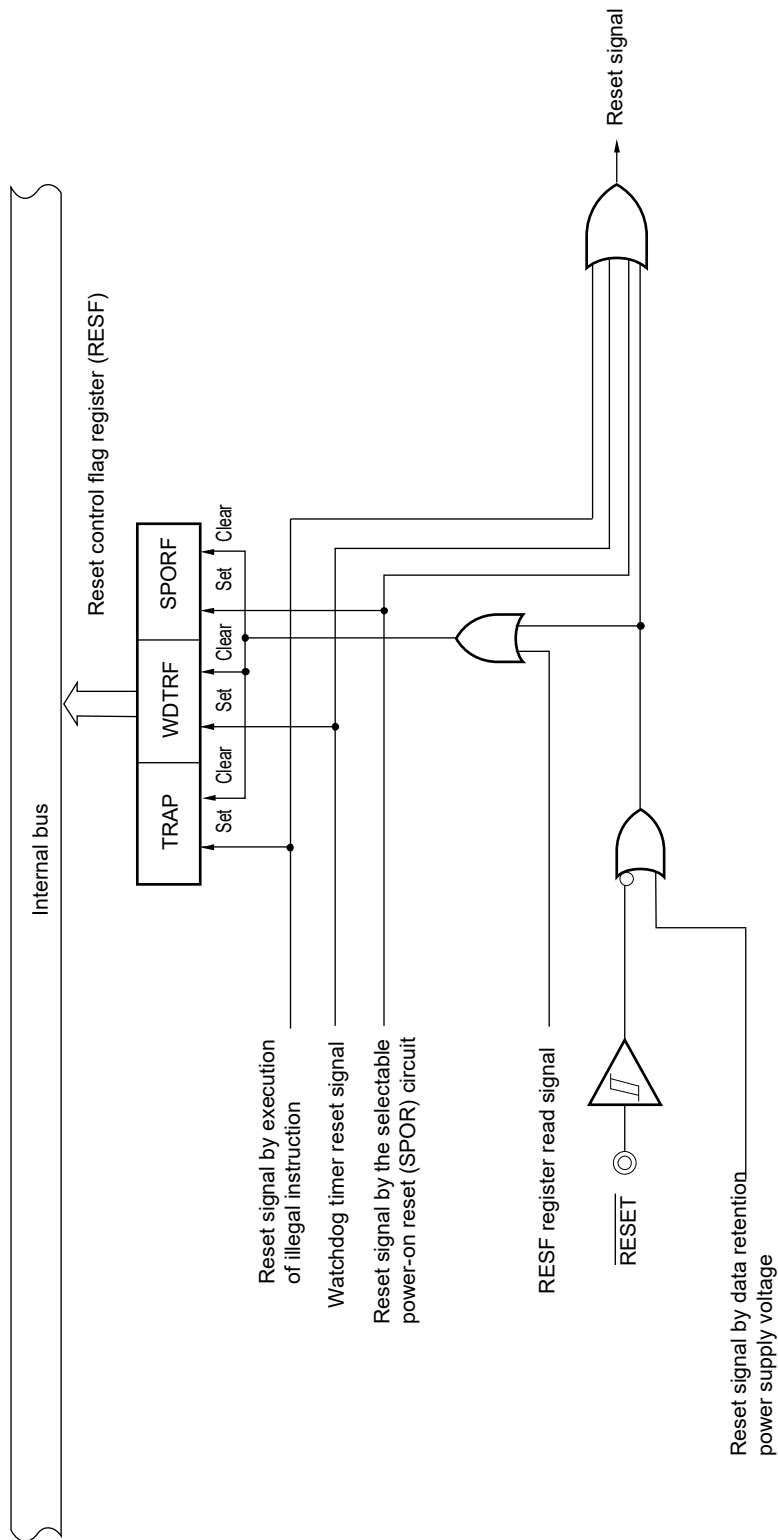
2. Data is not reset while V_{DD} is greater than or equal to the data retention voltage. Data is reset when V_{DD} falls below the data retention voltage. The maximum voltage at which data is reset is prescribed as the data retention voltage specification.

Cautions 1. For an external reset, set the PORTSELB bit of the user option byte (000C1H) to 1 so that the P125 pin operates as $\overline{\text{RESET}}$, and input a low level for 10 μs or more to the $\overline{\text{RESET}}$ pin.

(To perform an external reset upon power application, input a low level to the $\overline{\text{RESET}}$ pin, and then apply power supply. The $\overline{\text{RESET}}$ pin must be kept low for at least 10 μs during the period in which the supply voltage is within the operating range shown in 23.4 AC Characteristics before inputting a high level to the $\overline{\text{RESET}}$ pin.)

2. During reset input, the high-speed on-chip oscillator clock, and low-speed on-chip oscillator clock stop oscillating.
3. The port pin becomes the following status because each SFR and 2nd SFR are initialized after reset.
 - 40: High-impedance during external reset period or reset period by the data retention power supply voltage. High level during other types of reset or after receiving a reset (connected to the internal pull-up resistor).
 - P125: Low level during external reset period (low level input to $\overline{\text{RESET}}$ pin). High level during other types of reset period or after receiving a reset (connected to the internal pull-up resistor).
 - Ports other than P40 and P125: High-impedance during reset period or after receiving a reset.

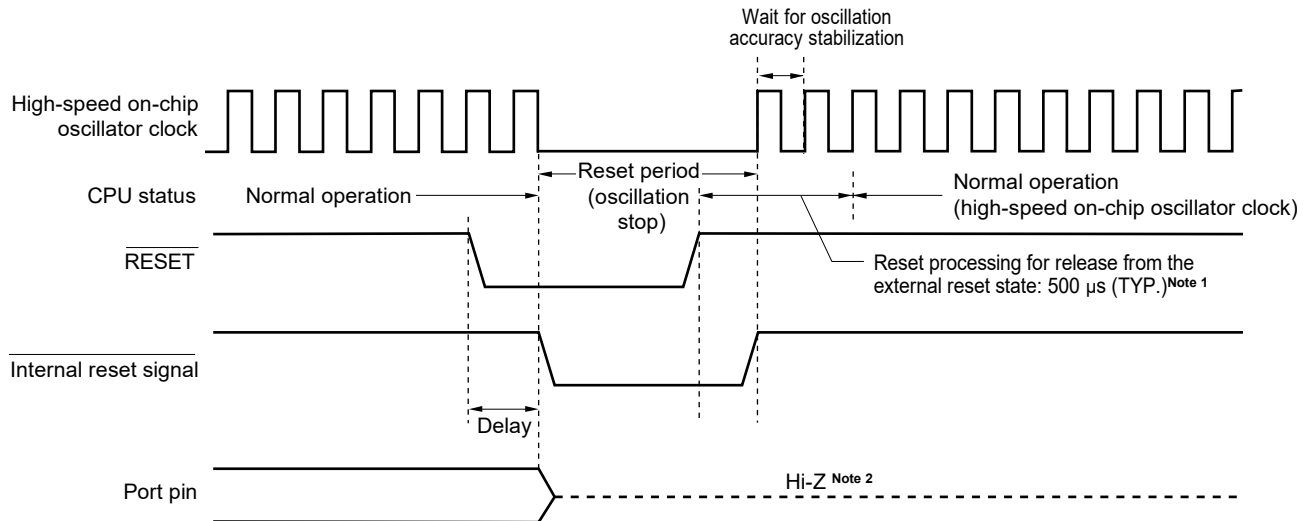
Figure 16-1. Block Diagram of Reset Function



16.1 Timing of Reset Operation

This LSI is reset by input of the low level on the $\overline{\text{RESET}}$ pin and released from the reset state by input of the high level on the $\overline{\text{RESET}}$ pin. After reset processing, execution of the program with the high-speed on-chip oscillator clock as the operating clock starts.

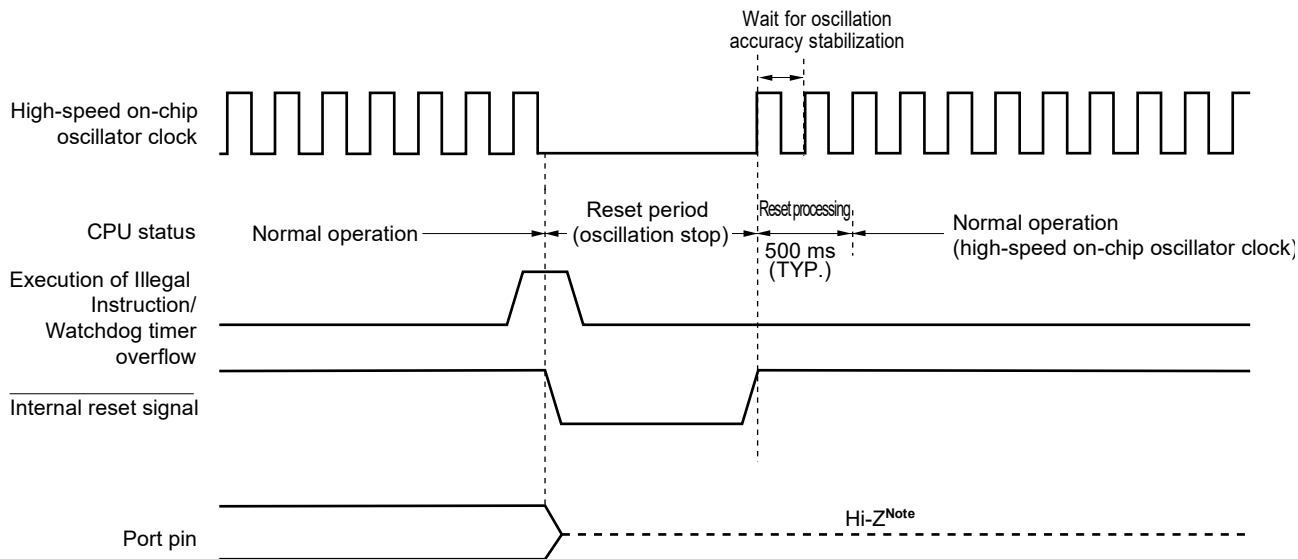
Figure 16-2. Timing of Reset by $\overline{\text{RESET}}$ Input



- Notes**
1. After power is supplied, an SPOR reset processing time of (MAX. 3.39 ms) is required before reset processing starts after release of the external reset.
 2. Status of port pin P40 is as follows.
 - High-impedance during external reset period or reset period by the data retention power supply voltage
 - High level after receiving a reset (connected to the internal pull-up resistor)

Release from the reset state is automatic in the cases of a reset due to the watchdog timer overflow or a reset due to the execution of an illegal instruction. After reset processing, execution of the program with the high-speed on-chip oscillator clock as the operating clock starts.

Figure 16-3. Timing of Reset Due to Watchdog Timer Overflow or Execution of Illegal Instruction

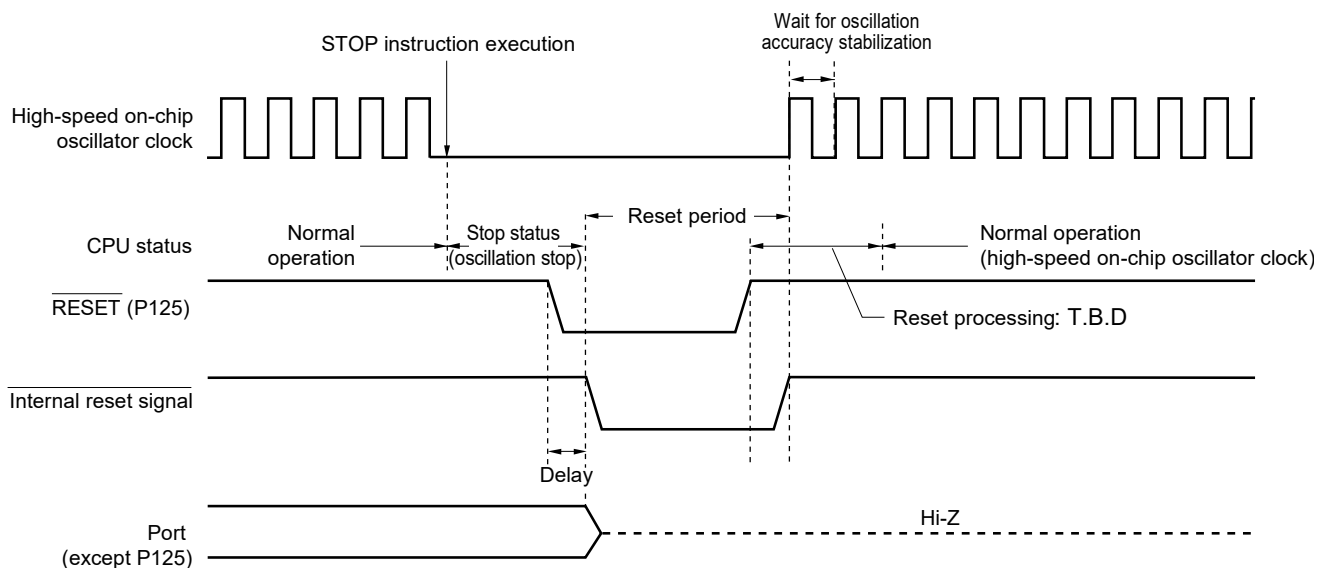


Note Statuses of port pins P40 and P125 are as follows.

- High level during reset period or after receiving a reset (connected to the internal pull-up resistor).

Remark For the reset timing due to the voltage detection by the selectable power-on-reset (SPOR) circuit, see **CHAPTER 17 SELECTABLE POWER-ON-RESET CIRCUIT**.

Figure 16-4. Timing of Reset in STOP Mode by $\overline{\text{RESET}}$ Input



16.2 Operation States During Reset Periods

Table 16-1 shows the operation states during reset periods. Table 16-2 shows the state of the hardware after acceptance of a reset.

Table 16-1. Operation States During Reset Period

Item	During Reset Period			
System clock	Clock supply to the CPU is stopped.			
High-speed on-chip oscillator clock	f_{IH}	Operation stopped		
Low-speed on-chip oscillator clock	f_{IL}			
CPU	Operation stopped			
Code flash memory	Operation stopped			
RAM	Operation stopped			
Port (latch)	High impedance ^{Note 2}			
Timer array unit	Operation stopped			
RTO ^{Note 1}				
12-bit Interval timer				
Watchdog timer				
Clock output/buzzer output				
A/D converter				
Serial array unit (SAU)				
Selectable power-on-reset function			Detection operation possible	
External interrupt			Operation stopped	
Key interrupt function				

Notes 1. R7F0C806 and R7F0C807 products only.

2. Statuses of P40 and P125 pins are as follows

- P40: High-impedance during external reset period or reset period by the data retention power supply voltage. High level during other types of reset period or after receiving a reset (connected to the internal pull-up resistor).
- P125: Low level during external reset period (low level input to $\overline{\text{RESET}}$ pin). High level during other types of reset period or after receiving a reset (connected to the internal pull-up resistor).

Remark f_{IH} : High-speed on-chip oscillator clock

f_{IL} : Low-speed on-chip oscillator clock

Table 16-2. State of Hardware After Acceptance of Reset

Hardware		After Acceptance of Reset ^{Note}
Program counter (PC)		The contents of the reset vector table (0000H, 0001H) are set.
Stack pointer (SP)		Undefined
Program status word (PSW)		06H
RAM	Data memory	Undefined
	General-purpose registers	Undefined

Note During reset signal generation or oscillation stabilization time wait, only the PC contents among the hardware statuses become undefined. All other hardware statuses remain unchanged after reset.

Remark For the state of the special function register (SFR: Special Function Register) after receiving a reset, see **3.1.4 Special function register (SFR) area** and **3.1.5 Extended special function register (2nd SFR: 2nd Special Function Register) area**.

16.3 Register for Confirming Reset Source

16.3.1 Reset control flag register (RESF)

Many internal reset generation sources exist in the RL78 Microcontroller. The reset control flag register (RESF) is used to store which source has generated the reset request.

The RESF register can be read by an 8-bit memory manipulation instruction.

The external reset, a reset by the data retention lower limit voltage, and reading the RESF register clear TRAP, WDTRF, and SPORF flags.

Figure 16-5. Format of Reset Control Flag Register (RESF)

Address: FFFA8H After reset: Note 1 R

Symbol	7	6	5	4	3	2	1	0
RESF	TRAP	0	0	WDTRF	0	0	0	SPORF

TRAP	Internal reset request by execution of illegal instruction ^{Note 2}
0	Internal reset request is not generated, or the RESF register is cleared.
1	Internal reset request is generated.

WDTRF	Internal reset request by watchdog timer (WDT)
0	Internal reset request is not generated, or the RESF register is cleared.
1	Internal reset request is generated.

SPORF	Internal reset request by selectable power-on reset (SPOR) circuit
0	Internal reset request is not generated, or the RESF register is cleared.
1	Internal reset request is generated.

- Notes**
1. The value after reset varies depending on the reset source.
 2. This reset occurs when instruction code FFH is executed.
This reset does not occur during emulation using an in-circuit emulator or an on-chip debugging emulator.

Caution Do not read data by a 1-bit memory manipulation instruction.

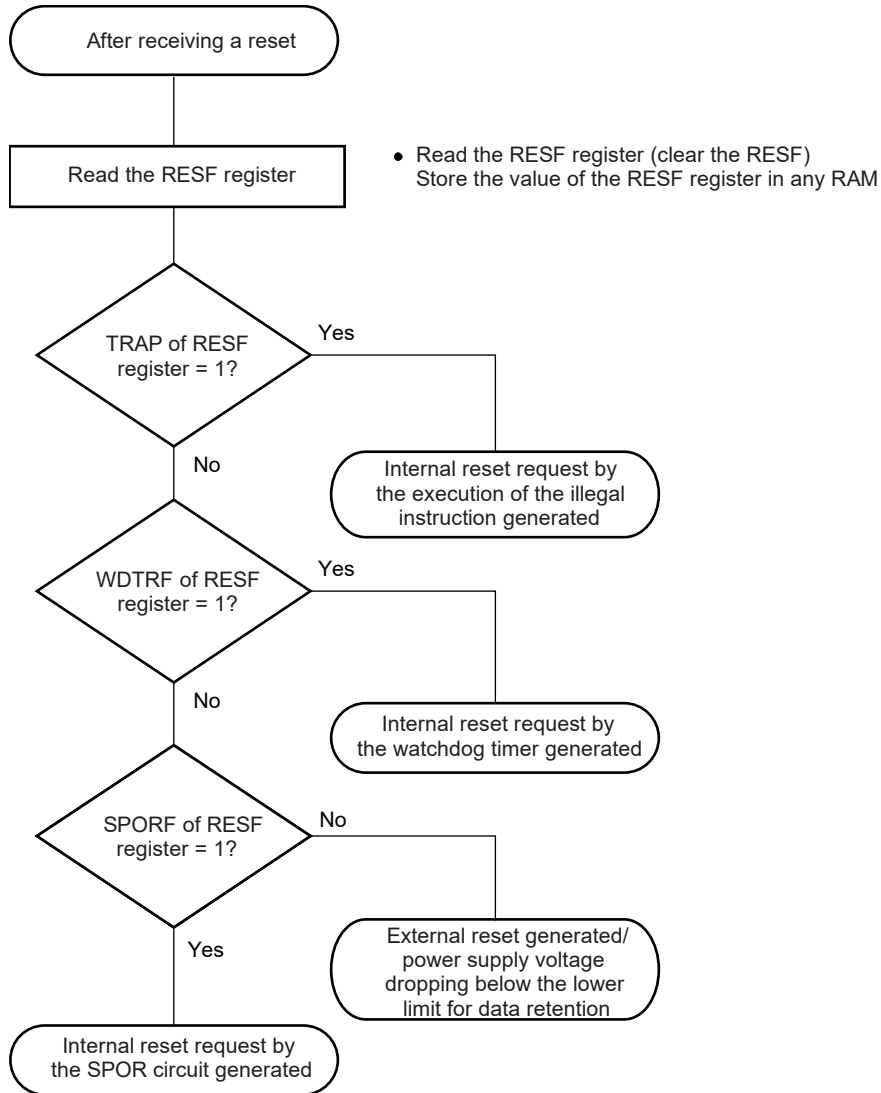
The status of the RESF register when a reset request is generated is shown in Table 16-3.

Table 16-3. RESF Register Status When Reset Request Is Generated

Flag \ Reset Source	$\overline{\text{RESET}}$ Input	Reset by Execution of Illegal Instruction	Reset by WDT	Reset by SPOR	Reset by Data Retention Lower Limit Voltage
TRAP bit	Cleared (0)	Set (1)	Held	Held	Cleared (0)
WDTRF bit		Held	Set (1)	Held	
SPORF bit		Held	Held	Set (1)	

The RESF register is automatically cleared when it is read by an 8-bit memory manipulation instruction. Figure 16-6 shows the procedure for checking the reset source.

Figure 16-6. Procedure for Checking Reset Source



CHAPTER 17 SELECTABLE POWER-ON-RESET CIRCUIT

17.1 Functions of Selectable Power-on-reset Circuit

The selectable power-on-reset (SPOR) circuit has the following functions.

- Generates internal reset signal at power on.
The reset signal is released when the supply voltage exceeds the detection voltage ($V_{DD} \geq V_{SPOR}$).
- The SPOR circuit compares the supply voltage (V_{DD}) with the detection voltage (V_{SPDR}), and generates an internal reset signal when $V_{DD} < V_{SPDR}$.
- The detection level for the power supply detection voltage (V_{SPOR} , V_{SPDR}) can be selected by using the option byte (000C1H) as one of 4 levels (for details, see **18.2 Format of User Option Byte**).

Bit 0 (SPORF) of the reset control flag register (RESF) is set to 1 if reset occurs. For details of the RESF register, see **CHAPTER 16 RESET FUNCTION**.

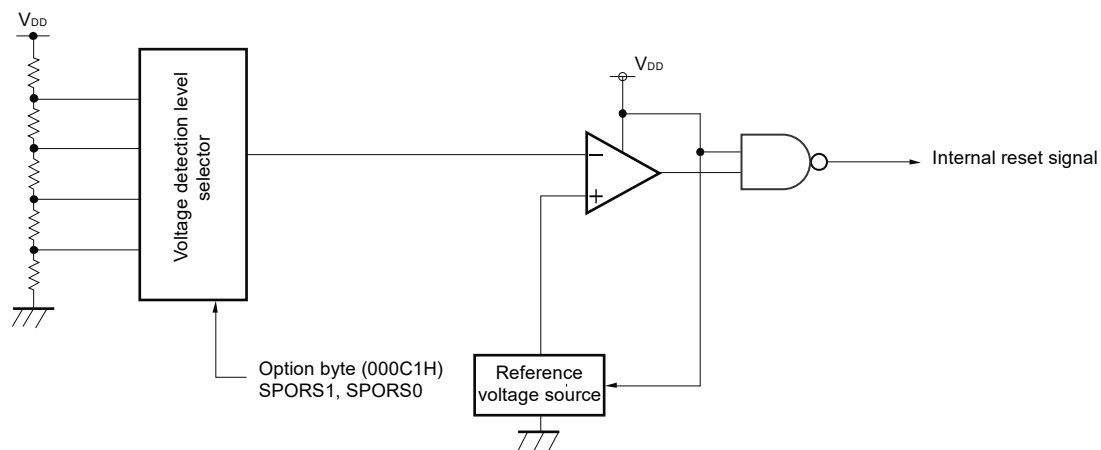
Caution The values of all flags in the reset control flag register (RESF) are retained until V_{DD} reaches data retention lower limit voltage.

Remark V_{SPOR} : SPOR power supply rise detection voltage
 V_{SPDR} : SPOR power supply fall detection voltage
For details, see **23.6.2 SPOR circuit characteristics**.

17.2 Configuration of Selectable Power-on-reset Circuit

The block diagram of the selectable power-on-reset circuit is shown in Figure 17-1.

Figure 17-1. Block Diagram of Selectable Power-on-reset Circuit



17.3 Operation of Selectable Power-on-reset Circuit

Specify the voltage detection level by using the option byte 000C1H.

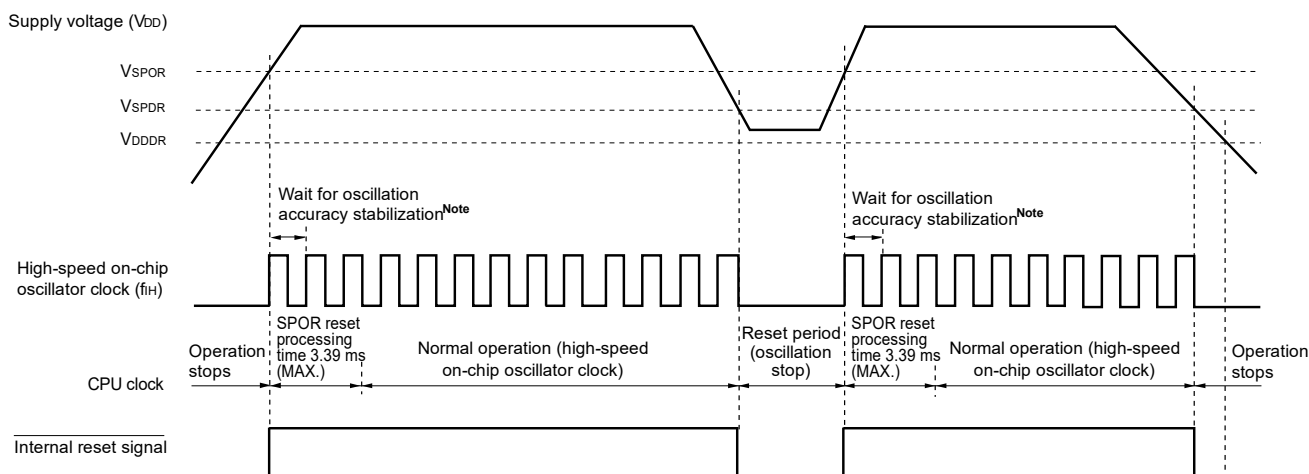
The internal reset signal is generated at power on.

The internal reset status is retained until the supply voltage (V_{DD}) exceeds the voltage detection level (V_{SPOR}). The internal reset is cleared when the supply voltage (V_{DD}) exceeds the voltage detection level (V_{SPOR}).

The internal reset is generated when the supply voltage (V_{DD}) drops lower than the voltage detection level (V_{SPDR}).

Figure 17-2 shows the timing of the internal reset signal generated by the selectable power-on-reset circuit.

Figure 17-2. Timing of Internal Reset Signal Generation



Note The internal reset processing time includes the oscillation accuracy stabilization time of the high-speed on-chip oscillator clock.

Remark V_{SPOR} : SPOR power supply rise detection voltage
 V_{SPDR} : SPOR power supply fall detection voltage
 V_{DDDR} : Data retain power supply voltage

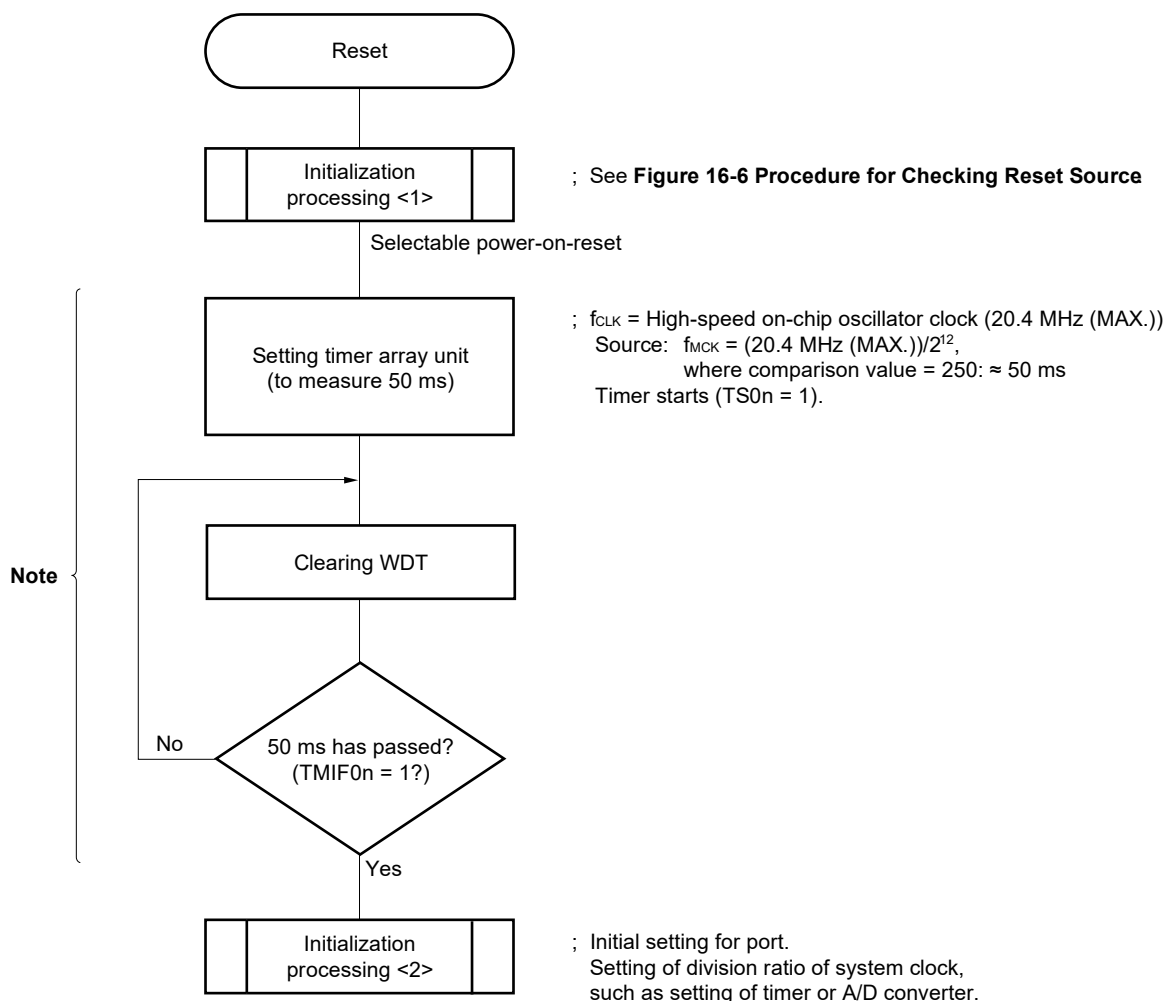
17.4 Cautions for Selectable Power-on-reset Circuit

In a system where the supply voltage (V_{DD}) fluctuates for a certain period in the vicinity of the SPOR detection voltage (V_{SPOR} , V_{SPDR}), the system may be repeatedly reset and released from the reset status. In this case, the time from release of reset to the start of the operation of the microcontroller can be arbitrarily set by taking the following action.

<Action>

After releasing the reset signal, wait for the supply voltage fluctuation period of each system by means of a timer and etc., and then initialize the ports.

Figure 17-3. Example of Software Processing When Supply Voltage Fluctuation is 50 ms or Less in Vicinity of the Voltage Detection Level



Note If reset is generated again during this period, initialization processing <2> is not started.

Remark n: Channel number (n = 0 to 3)

CHAPTER 18 OPTION BYTE

18.1 Functions of Option Bytes

Addresses 000C0H to 000C3H of the flash memory of the R7F0C806-809 form an option byte area.

Option bytes consist of user option byte (000C0H to 000C2H) and on-chip debug option byte (000C3H).

Upon power application or resetting and starting, an option byte is automatically referenced and a specified function is set. When using the product, be sure to set the following functions by using the option bytes.

The bits to which no function is allocated must be used with their initial value.

Caution The option bytes should always be set regardless of whether each function is used.

18.1.1 User option byte (000C0H to 000C2H)

(1) 000C0H

- Operation of watchdog timer
 - Counter operation is enabled or disabled.
 - Operation is stopped or enabled in the HALT or STOP mode.
- Time setting of watchdog timer
 - Setting of overflow time of watchdog timer
 - Setting of interval interrupt time of watchdog timer

(2) 000C1H

- Setting of SPOR detection level (V_{SPOR})
- Controlling of P125/KR1/RESET pin
 - P125/KR1 or $\overline{\text{RESET}}$

(3) 000C2H

- Setting of the frequency of the high-speed on-chip oscillator
 - Select from 1.25 to 20 MHz.

18.1.2 On-chip debug option byte (000C3H)

- Control of on-chip debug operation
 - On-chip debug operation is disabled or enabled.

18.2 Format of User Option Byte

The format of user option byte is shown below.

Figure 18-1. Format of User Option Byte (000C0H)

Address: 000C0H

7	6	5	4	3	2	1	0
1	1	1	WDTON	WDCS2	WDCS1	WDCS0	WDSTBYON

WDTON	Operation control of watchdog timer counter
0	Counter operation disabled (counting stopped after reset)
1	Counter operation enabled (counting started after reset)

WDCS2	WDCS1	WDCS0	Overflow time of watchdog timer (When $f_{IL} = 17.25 \text{ kHz (MAX.)}$)	Interval interrupt time of watchdog timer (When $f_{IL} = 17.25 \text{ kHz (MAX.)}$)
0	0	0	$(2^6 - 1)/f_{IL}$ (3.65 ms)	$2^6/f_{IL} \times 0.75$ (2.78 ms)
0	0	1	$(2^7 - 1)/f_{IL}$ (7.36 ms)	$2^7/f_{IL} \times 0.75$ (5.56 ms)
0	1	0	$(2^8 - 1)/f_{IL}$ (14.7 ms)	$2^8/f_{IL} \times 0.75$ (11.1 ms)
0	1	1	$(2^9 - 1)/f_{IL}$ (29.6 ms)	$2^9/f_{IL} \times 0.75$ (22.2 ms)
1	0	0	$(2^{11} - 1)/f_{IL}$ (118 ms)	$2^{11}/f_{IL} \times 0.75$ (89.0 ms)
1	0	1	$(2^{13} - 1)/f_{IL}$ (474 ms)	$2^{13}/f_{IL} \times 0.75$ (356 ms)
1	1	0	$(2^{14} - 1)/f_{IL}$ (949 ms)	$2^{14}/f_{IL} \times 0.75$ (712 ms)
1	1	1	$(2^{16} - 1)/f_{IL}$ (3799 ms)	$2^{16}/f_{IL} \times 0.75$ (2849 ms)

WDSTBYON	Operation control of watchdog timer counter (HALT/STOP mode)
0	Counter operation stopped in HALT/STOP mode
1	Counter operation enabled in HALT/STOP mode

- Cautions**
1. Be sure to write 1 to bits 7 to 5.
 2. Setting **WDTON = 0** and **WDSTBYON = 1** is prohibited.
 3. The watchdog timer always generates an interval interrupt when the specified time is reached unless this is specifically disabled. If the interval interrupt from the watchdog timer is not to be used, be sure to disable the interrupt by setting the **WDTIMK** bit to 1.

Remark f_{IL} : Low-speed on-chip oscillator clock frequency

Figure 18-2. Format of User Option Byte (000C1H)

Address: 000C1H

7	6	5	4	3	2	1	0
1	1	1	PORTSELB	SPORS1	SPORS0	1	1

- Setting of SPOR detection voltage

Detection voltage		Option byte setting value	
Rising edge	Falling edge	SPORS1	SPORS0
4.28 V	4.00 V	0	0
2.90 V	2.70 V	0	1
2.57 V	2.40 V	1	0
Other than above		Setting prohibited	

- P125/KR1/RESET pin control

PORTSELB	P125/RESET pin control
0	Port function (P125/KR1)
1	RESET input (internal pull-up resistor can be always connected.)

- Cautions**
- Be sure to write 1 to bits 7 to 5, 1, and 0.
 - Set the detection voltage (V_{SPOR}) to be within the operating voltage range. The operating voltage range depends on the setting of the user option byte (000C2H).
The operating voltage ranges are as follows.
For CPU operating frequencies from 1.25 MHz to 20 MHz: $V_{DD} = 2.7$ to 5.5 V
For CPU operating frequencies from 1.25 MHz to 5 MHz: $V_{DD} = 2.4$ to 5.5 V

- Remarks**
- For details on the SPOR circuit, see CHAPTER 17 SELECTABLE POWER-ON-RESET CIRCUIT.
 - The detection voltage is a typical value. For details, see 23.6.2 SPOR circuit characteristics.

Figure 18-3. Format of User Option Byte (000C2H)

Address: 000C2H

7	6	5	4	3	2	1	0
1	1	1	1	1	FRQSEL2	FRQSEL1	FRQSEL0

FRQSEL2	FRQSEL1	FRQSEL0	Frequency of the high-speed on-chip oscillator	
			Operating frequency	Operating voltage range
0	0	1	20 MHz	2.7 V to 5.5 V
0	1	0	10 MHz	
0	1	1	5 MHz	2.0 V to 5.5 V ^{Note}
1	0	0	2.5 MHz	
1	0	1	1.25 MHz	
Other than above			Setting prohibited	

Note Use this product within the voltage range from 2.4 to 5.5 V because the detection voltage (V_{SPOR}) of the selectable power-on-reset (SPOR) circuit should also be considered.

Caution Be sure to write 1 to bits 7 to 3.

18.3 Format of On-chip Debug Option Byte

The format of on-chip debug option byte is shown below.

Figure 18-4. Format of On-chip Debug Option Byte (000C3H)

Address: 000C3H

7	6	5	4	3	2	1	0
OCDENSET	0	0	0	0	1	0	1

OCDENSET	Control of on-chip debug operation
0	Disables on-chip debug operation.
1	Enables on-chip debugging ^{Note}

Note Does not erase data of flash memory in case of failures in authenticating on-chip debug security ID.

Caution Bit 7 (OCDENSET) can only be specified a value.

Be sure to set 0000101B to bits 6 to 0.

Remark The value on bits 3 and 1 will be written over when the on-chip debug function is in use and thus it will become unstable after the setting.

However, be sure to set the default values (0, 1, and 0) to bits 3 to 1 at setting.

18.4 Setting of Option Byte

The user option byte and on-chip debug option byte can be set using the link option in addition to describing to the source.

When doing so, the contents set by using the link option take precedence, even if descriptions exist in the source, as mentioned below.

A software description example of the option byte setting is shown below.

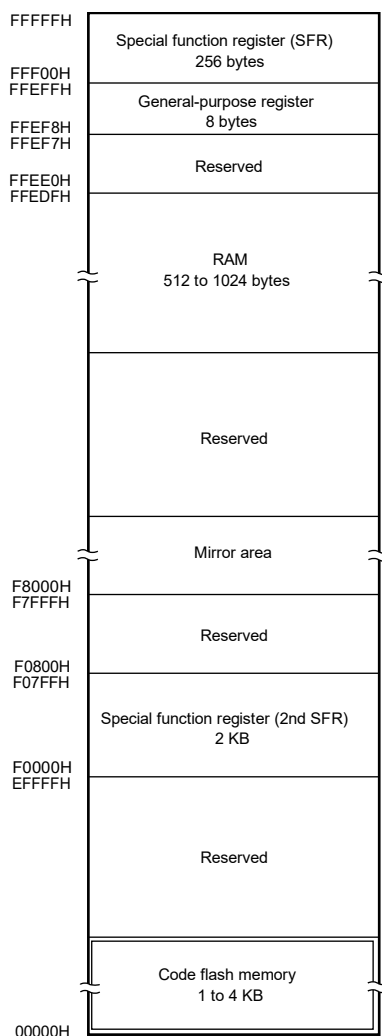
OPT	CSEG	OPT_BYTE	
	DB	F7H	; Enables watchdog timer operation, ; Overflow time of watchdog timer is $2^9/f_{IL}$, ; Stops watchdog timer operation during HALT/STOP mode
	DB	E7H	; Select 2.70 V for V _{SPDR} and 2.90 V for V _{SPOR} ; Use the port function (P125/KR1)
	DB	FDH	; Select 1.25 MHz as the frequency of the high-speed on-chip oscillator clock
	DB	85H	; Enables on-chip debug operation

Caution To specify the option byte by using assembly language, use **OPT_BYTE** as the relocation attribute name of the CSEG pseudo instruction.

CHAPTER 19 FLASH MEMORY

The RL78 microcontroller incorporates the flash memory to which a program can be written, erased, and overwritten.

Caution The operating voltage during flash memory programming must be in the range from 4.5 V to 5.5 V.



The methods for programming the flash memory are as follows.

The contents of the code flash memory can be rewritten by serial programming using a flash memory programmer or an external device (UART communication).

- Serial programming by using a flash memory programmer (see **19.1**)
Data can be written to the flash memory on-board or off-board, by using a dedicated flash memory programmer.
- Serial programming by using an external device (UART communication) (see **19.2**)
Data can be written to the flash memory on-board, by using UART communication with an external device (a microcontroller or ASIC).

19.1 Serial Programming by Using Flash Memory Programmer

The following dedicated flash memory programmer can be used to write data to the internal flash memory of the RL78 microcontroller.

- PG-FP5, FL-PR5
- E1 on-chip debugging emulator

Data can be written to the flash memory on-board or off-board, by using a dedicated flash memory programmer.

(1) On-board programming

The contents of the flash memory can be rewritten after the RL78 microcontroller has been mounted on the target system. The connectors that connect the dedicated flash memory programmer must be mounted on the target system.

(2) Off-board programming

Data can be written to the flash memory with a dedicated program adapter (FA series) before the RL78 microcontroller is mounted on the target system.

Remark FL-PR5 and FA series are products of Naito Densai Machida Mfg. Co., Ltd.

Table 19-1. Wiring Between R7F0C806-809 and Dedicated Flash Memory Programmer

Pin Configuration of Dedicated Flash Memory Programmer				Pin Name of R7F0C806-809	Pin No. of R7F0C806-809
Signal Name		I/O	Pin Function		
PG-FP5, FL-PR5	E1 On-chip Debugging Emulator				
–	TOOL0	I/O	Transmit/receive signal	TOOL0/P40	20
SI/RXD	–	I/O	Transmit/receive signal		
–	RESET	Output	Reset signal	RESET	1
/RESET	–	Output			
V _{DD}		I/O	V _{DD} voltage generation/ power monitoring	V _{DD}	10
GND		–	Ground	V _{SS}	9
EMV _{DD}		–	Driving power for TOOL pin	V _{DD}	10

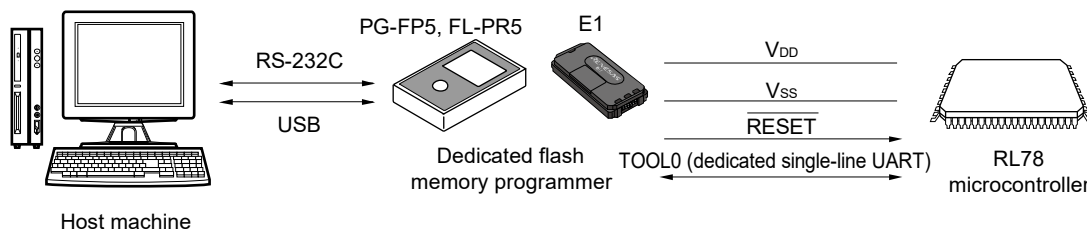
Remark Pins that are not indicated in the above table can be left open when using the flash memory programmer for flash programming.

About a connection RL78 microcontroller and a connector, see the user's manual of each programmer. About a connection with E1, see **20.1 Connecting E1 On-chip Debugging Emulator**.

19.1.1 Programming environment

The environment required for writing a program to the flash memory of the RL78 microcontroller is illustrated below.

Figure 19-1. Environment for Writing Program to Flash Memory



A host machine that controls the dedicated flash memory programmer is necessary.

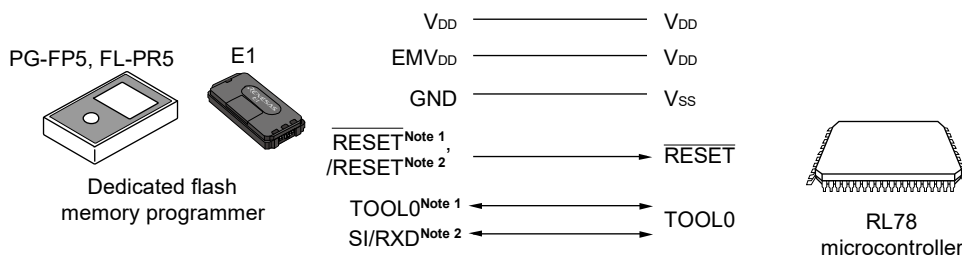
To interface between the dedicated flash memory programmer and the RL78 microcontroller, the TOOL0 pin is used for manipulation such as writing and erasing via a dedicated single-line UART.

19.1.2 Communication mode

Communication between the dedicated flash memory programmer and the RL78 microcontroller is established by serial communication using the TOOL0 pin via a dedicated single-line UART of the RL78 microcontroller.

Transfer rate: Fixed to 115.2 kbps

Figure 19-2. Communication with Dedicated Flash Memory Programmer



- Notes** 1. When using E1 on-chip debugging emulator.
- 2. When using PG-FP5 or FL-PR5.

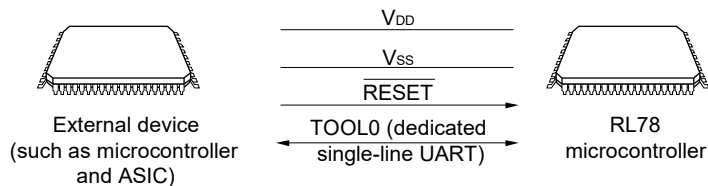
19.2 Writing to Flash Memory by Using External Device (That Incorporates UART)

On-board data writing to the internal flash memory is possible by using the RL78 microcontroller and an external device (a microcontroller or ASIC) connected to a UART.

19.2.1 Programming environment

The environment required for writing a program to the flash memory of the RL78 microcontroller is illustrated below.

Figure 19-3. Environment for Writing Program to Flash Memory



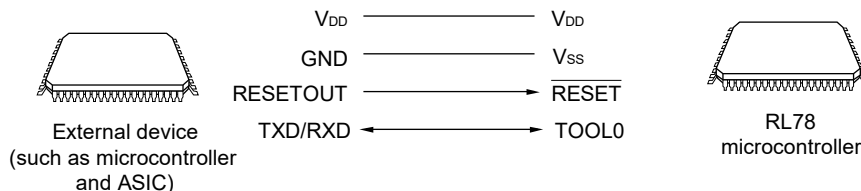
Processing to write data to or delete data from the RL78 microcontroller by using an external device is performed on-board. Off-board writing is not possible.

19.2.2 Communication mode

Communication between the external device and the RL78 microcontroller is established by serial communication using the TOOL0 pin via the dedicated UART of the RL78 microcontroller.

Transfer rate: Fixed to 115.2 kbps

Figure 19-4. Communication with External Device



The external device generates the following signals for the RL78 microcontroller.

Table 19-2. Pin Connection

External Device		RL78 Microcontroller	
Signal Name	I/O	Pin Function	Pin Name
V_{DD}	I/O	V_{DD} voltage generation/power monitoring	V_{DD}
GND	-	Ground	V_{SS}
RESETOUT	Output	Reset signal output	\overline{RESET}
RXD	Input	Receive signal	TOOL0
TXD	Output	Transmit signal	

19.3 Connection of Pins on Board

To write the flash memory on-board by using the flash memory programmer, connectors that connect the dedicated flash memory programmer must be provided on the target system. First provide a function that selects the normal operation mode or flash memory programming mode on the board.

When the flash memory programming mode is set, all the pins not used for programming the flash memory are in the same status as immediately after reset. Therefore, if the external device does not recognize the state immediately after reset, the pins must be handled as described below.

Remark Refer to flash programming mode, see **19.4.2 Flash memory programming mode**.

19.3.1 P40/TOOL0 pin

In the flash memory programming mode, pull up externally with a 1 kΩ resistor, and connect it to the dedicated flash memory programmer.

When this pin is used as the port pin, use that by the following method.

When used as an input pin: Input of low-level is prohibited for t_{HD} period after external pin reset release. However, when this pin is used via pull-down resistors, use the 500 kΩ or more resistors.

When used as an output pin: When this pin is used via pull-down resistors, use the 500 kΩ or more resistors.

Remarks 1. t_{HD} : How long to keep the TOOL0 pin at the low level from when the external and internal resets end for setting of the flash memory programming mode (see **23.9 Timing of Entry to Flash Memory Programming Modes**)

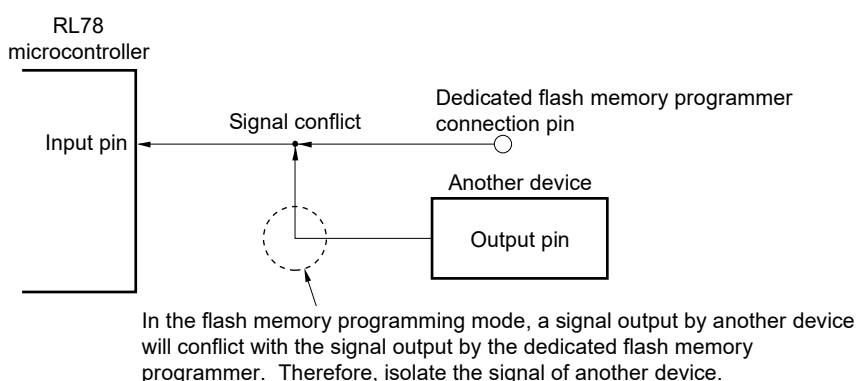
2. The pins in the SAU are not used for communication between the RL78 microcontroller and dedicated flash memory programmer, because single-line UART (TOOL0 pin) is used.

19.3.2 $\overline{\text{RESET}}$ pin

Signal conflict will occur if the reset signal of the dedicated flash memory programmer and external device are connected to the $\overline{\text{RESET}}$ pin that is connected to the reset signal generator on the board. To prevent this conflict, isolate the connection with the reset signal generator.

The flash memory will not be correctly programmed if the reset signal is input from the user system while the flash memory programming mode is set. Do not input any signal other than the reset signal of the dedicated flash memory programmer and external device.

Figure 19-5. Signal Conflict ($\overline{\text{RESET}}$ Pin)



19.3.3 Port pins

In the flash memory programming mode, all the pins not used for flash memory programming enter the same status as that immediately after reset. If an external device connected to the ports does not recognize the port status immediately after reset, the port pin must be connected to either to V_{DD} or V_{SS} via a resistor.

19.3.4 Power supply

To use the supply voltage output of the flash memory programmer, connect the V_{DD} pin to V_{DD} of the flash memory programmer, and the V_{SS} pin to GND of the flash memory programmer.

To use the on-board supply voltage, connect in compliance with the normal operation mode.

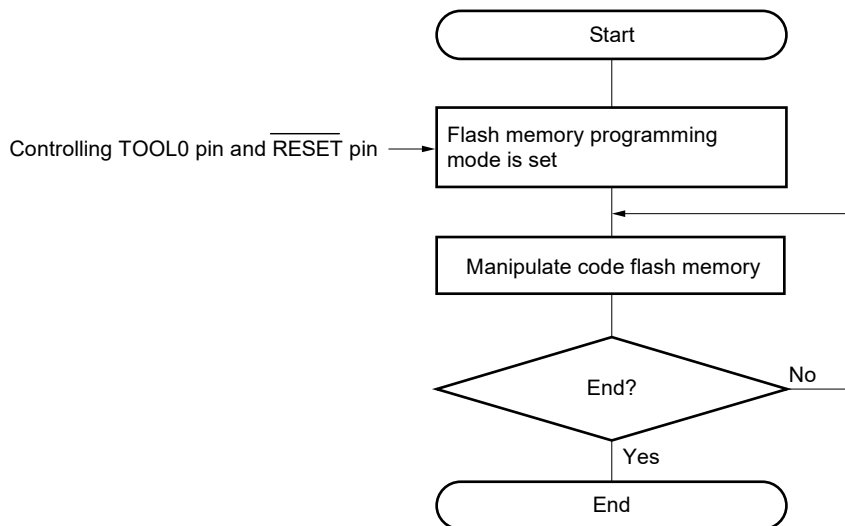
Note that the operating voltage during flash memory programming must be in the range from 4.5 V to 5.5 V. If the on-board supply voltage is less than 4.5 V, satisfy the requirement for operating voltage (4.5 V to 5.5 V) by, for example, switching to the voltage from a dedicated flash memory programmer, and isolate the on-board supply voltage.

19.4 Serial Programming Method

19.4.1 Serial programming procedure

The following figure illustrates the procedure to rewrite the contents of the code flash memory by serial programming.

Figure 19-6. Code Flash Memory Manipulation Procedure



Refer to flash memory programming mode, see **19.4.2**.

19.4.2 Flash memory programming mode

To rewrite the contents of the code flash memory by serial programming, the flash memory programming mode must be entered.

<When performing serial programming by using the dedicated flash memory programmer>

Connect the RL78 microcontroller to the dedicated flash memory programmer. Communication from the dedicated flash memory programmer is performed to automatically switch to the flash memory programming mode. The operating voltage during the flash memory programming mode is 4.5 V to 5.5 V.

<When performing serial programming by using an external device (UART communication)>

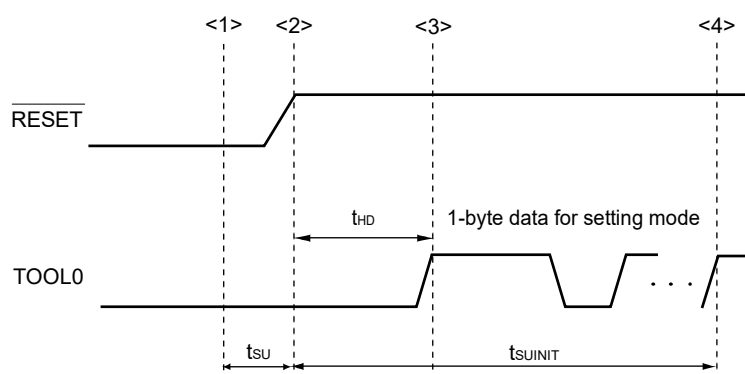
Set the TOOL0 pin to the low level, and then cancel the reset (see **Table 19-3**). The flash memory programming mode is then entered by following the procedures <1> to <4> shown in **Figure 19-7**.

The operating voltage during the flash memory programming mode is 4.5 V to 5.5 V.

Table 19-3. Relationship Between TOOL0 Pin and Operation Mode After Reset Release

TOOL0	Operation Mode
V _{DD}	Normal operation mode
0 V	Flash memory programming mode

Figure 19-7. Entry to Flash Memory Programming Mode



- <1> The low level is input to the TOOL0 pin.
- <2> The external reset ends (SPOR reset must end before the external reset ends.).
- <3> The TOOL0 pin is set to the high level.
- <4> Setting of entry to the flash memory programming mode by UART reception.

Remark t_{SUNIT}: The segment shows that it is necessary to finish specifying the initial communication settings within 100 ms (68 ms at T_A = -40 to +85°C) from when the resets end.

t_{SU}: How long from when the TOOL0 pin is placed at the low level until an external reset ends

t_{HD}: How long to keep the TOOL0 pin at the low level from when the external reset ends

For details, see **23.9 Timing of Entry to Flash Memory Programming Modes**.

19.4.3 Communication mode

Communication mode of the RL78 microcontroller is as follows.

Table 19-4. Communication Mode

Communication Mode	Standard Setting ^{Note 1}				Pin Used
	Port	Speed ^{Note 2}	Frequency	Multiply Rate	
1-line mode	UART	115200 bps	–	–	TOOL0

- Notes**
1. Selection items for standard settings on GUI of the flash memory programmer.
 2. Because factors other than the baud rate error, such as the signal waveform slew, also affect UART communication, thoroughly evaluate the slew as well as the baud rate error.

19.4.4 Communication commands

The RL78 microcontroller performs serial programming by using commands described in Table 19-5.

The signals sent from the flash memory programmer or external device to the RL78 microcontroller are called commands, and the RL78 microcontroller performs processing corresponding to the respective commands.

Table 19-5. Flash Memory Control Commands

Classification	Command Name	Function
CRC check	CRC check	Calculate checksums
Write after erase	Write after erase	Write data after erasing data in the flash memory

19.5 Processing Time of Each Command When Using PG-FP5 (Reference Values)

The processing time of each command (reference values) when using PG-FP5 as the dedicated flash memory programmer is shown below.

Table 19-6. Processing Time of Each Command When Using PG-FP5 (Reference Values)

Command of PG-FP5	Code Flash	
	4 KB	8 KB
	R7F0C80662, R7F0C80862	R7F0C80762, R7F0C80962
Write after erase	1.5 s	2.0 s
CRC check	0.5 s	1.0 s

Remark The command processing times (reference values) shown in the table are typical values under the following conditions.

Port: TOOL0 (single-line UART)

Speed: 115,200 bps

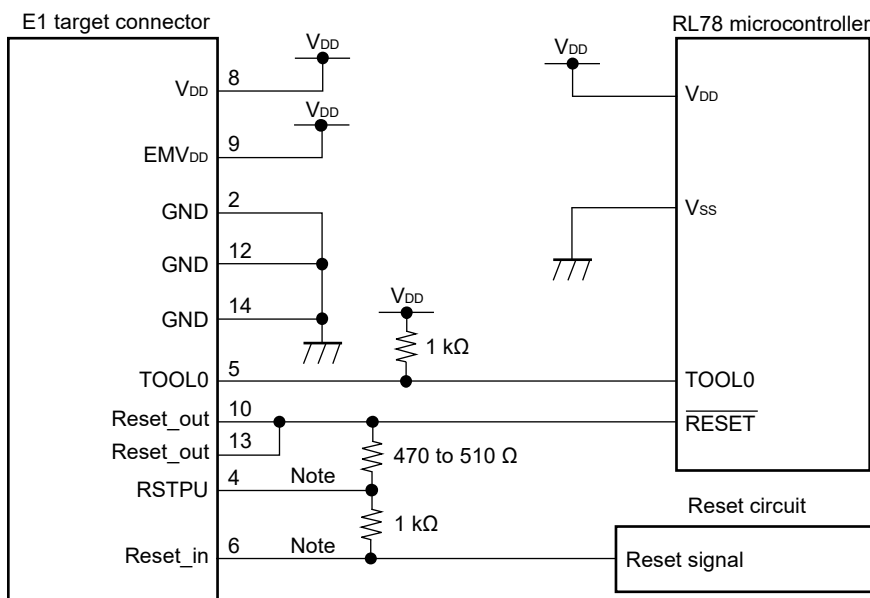
CHAPTER 20 ON-CHIP DEBUG FUNCTION

20.1 Connecting E1 On-chip Debugging Emulator

The RL78 microcontroller uses the V_{DD}, $\overline{\text{RESET}}$, TOOL0, and V_{SS} pins to communicate with the host machine via an E1 on-chip debugging emulator. Serial communication is performed by using a single-line UART that uses the TOOL0 pin.

Caution The RL78 microcontroller has an on-chip debug function, which is provided for development and evaluation. Do not use the on-chip debug function in products designated for mass production, because the guaranteed number of rewritable times of the flash memory may be exceeded when this function is used, and product reliability therefore cannot be guaranteed. Renesas Electronics is not liable for problems occurring when the on-chip debug function is used.

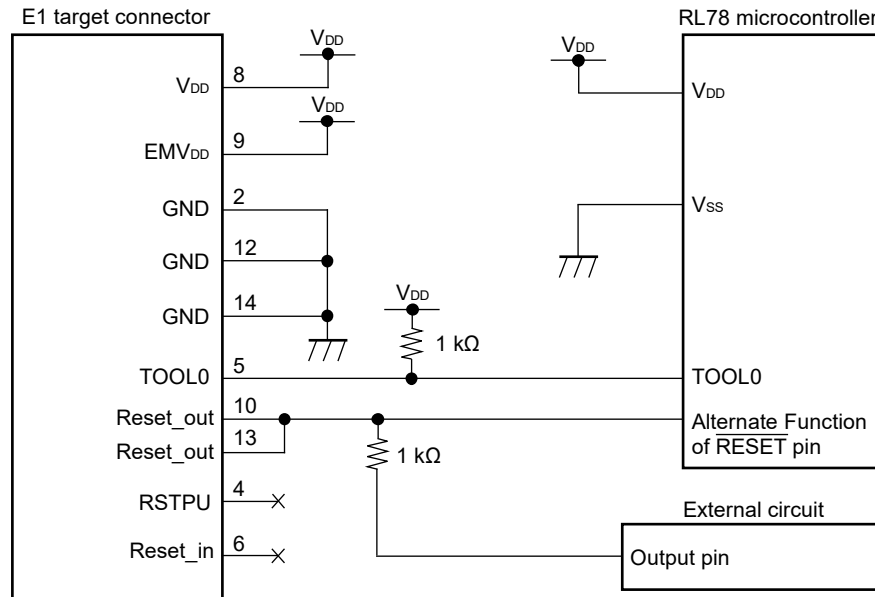
Figure 20-1. Connection Example of E1 On-chip Debugging Emulator and R7F0C80112ESP, R7F0C80212ESP



Note Connecting the dotted line is not necessary during flash programming.

For the target system which uses the multi-use feature of $\overline{\text{RESET}}$ pin, its connection to an external circuit should be isolated.

Figure 20-2. Connection Example of E1 On-chip Debugging Emulator and R7F0C80112ESP, R7F0C80212ESP (When using to the alternative function of RESET pin)



20.2 On-chip Debug Security ID

The RL78 microcontroller has an on-chip debug operation control bit in the flash memory at 000C3H (see **CHAPTER 18 OPTION BYTE**) and an on-chip debug security ID setting area at 000C4H to 000CDH, to prevent third parties from reading memory content.

Table 20-1. On-chip Debug Security ID

Address	On-chip Debug Security ID
000C4H to 000CDH	Any ID code of 10 bytes

20.3 Securing of User Resources

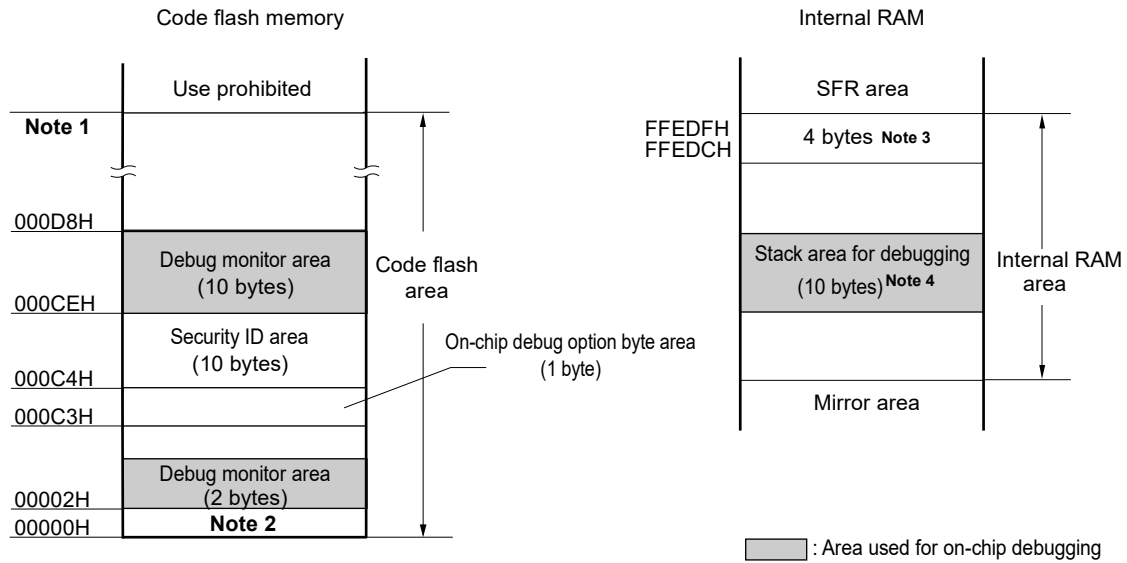
To perform communication between the RL78 microcontroller and E1 on-chip debugging emulator, as well as each debug function, the securing of memory space must be done beforehand.

If Renesas Electronics assembler or compiler is used, the items can be set by using linker options.

(1) Securement of memory space

The shaded portions in Figure 20-3 are the areas reserved for placing the debug monitor program, so user programs or data cannot be allocated in these spaces. When using the on-chip debug function, these spaces must be secured so as not to be used by the user program. Moreover, this area must not be rewritten by the user program.

Figure 20-3. Memory Spaces Where Debug Monitor Programs Are Allocated



Notes 1. Address differs depending on products as follows.

Products	Address
R7F0C80662, R7F0C80862	00FFFH
R7F0C80762, R7F0C80962	01FFFH

2. In debugging, reset vector is rewritten to address allocated to a monitor program.
3. When real-time RAM monitor (RRM) function and dynamic memory modification (DMM) function are used, four bytes from FFEDCH to FFEDFH are consumed. Otherwise, this area can be used as the internal RAM.
4. Since this area is allocated immediately before the stack area, the address of this area varies depending on the stack increase and decrease. That is, 10 extra bytes are consumed for the stack area used.

CHAPTER 21 BCD CORRECTION CIRCUIT

21.1 BCD Correction Circuit Function

The result of addition/subtraction of the BCD (binary-coded decimal) code and BCD code can be obtained as BCD code with this circuit.

The decimal correction operation result is obtained by performing addition/subtraction having the A register as the operand and then adding/subtracting the BCD correction result register (BCDADJ).

21.2 Registers Used by BCD Correction Circuit

The BCD correction circuit uses the following registers.

- BCD correction result register (BCDADJ)

21.2.1 BCD correction result register (BCDADJ)

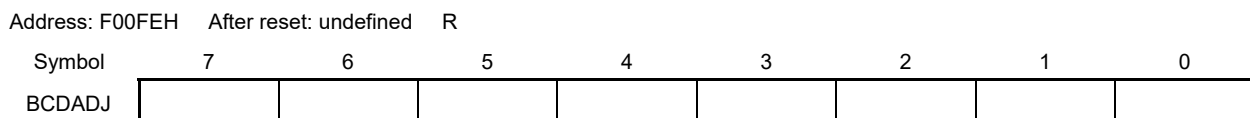
The BCDADJ register stores correction values for obtaining the add/subtract result as BCD code through add/subtract instructions using the A register as the operand.

The value read from the BCDADJ register varies depending on the value of the A register when it is read and those of the CY and AC flags.

The BCDADJ register is read by an 8-bit memory manipulation instruction.

Reset input sets this register to undefined.

Figure 21-1. Format of BCD Correction Result Register (BCDADJ)



21.3 BCD Correction Circuit Operation

The basic operation of the BCD correction circuit is as follows.

(1) Addition: Calculating the result of adding a BCD code value and another BCD code value by using a BCD code value

- <1> The BCD code value to which addition is performed is stored in the A register.
- <2> By adding the value of the A register and the second operand (value of one more BCD code to be added) as are in binary, the binary operation result is stored in the A register and the correction value is stored in the BCD correction result register (BCDADJ).
- <3> Decimal correction is performed by adding in binary the value of the A register (addition result in binary) and the BCDADJ register (correction value), and the correction result is stored in the A register and CY flag.

Caution The value read from the BCDADJ register varies depending on the value of the A register when it is read and those of the CY and AC flags. Therefore, execute the instruction <3> after the instruction <2> instead of executing any other instructions. To perform BCD correction in the interrupt enabled state, saving and restoring the A register is required within the interrupt function. PSW (CY flag and AC flag) is restored by the RETI instruction.

An example is shown below.

Examples 1: 99 + 89 = 188

Instruction	A Register	CY Flag	AC Flag	BCDADJ Register
MOV A, #99H ; <1>	99H	–	–	–
ADD A, #89H ; <2>	22H	1	1	66H
ADD A, !BCDADJ ; <3>	88H	1	0	–

Examples 2: 85 + 15 = 100

Instruction	A Register	CY Flag	AC Flag	BCDADJ Register
MOV A, #85H ; <1>	85H	–	–	–
ADD A, #15H ; <2>	9AH	0	0	66H
ADD A, !BCDADJ ; <3>	00H	1	1	–

Examples 3: 80 + 80 = 160

Instruction	A Register	CY Flag	AC Flag	BCDADJ Register
MOV A, #80H ; <1>	80H	–	–	–
ADD A, #80H ; <2>	00H	1	0	60H
ADD A, !BCDADJ ; <3>	60H	1	0	–

(2) Subtraction: Calculating the result of subtracting a BCD code value from another BCD code value by using a BCD code value

- <1> The BCD code value from which subtraction is performed is stored in the A register.
- <2> By subtracting the value of the second operand (value of BCD code to be subtracted) from the A register as is in binary, the calculation result in binary is stored in the A register, and the correction value is stored in the BCD correction result register (BCDADJ).
- <3> Decimal correction is performed by subtracting the value of the BCDADJ register (correction value) from the A register (subtraction result in binary) in binary, and the correction result is stored in the A register and CY flag.

Caution The value read from the BCDADJ register varies depending on the value of the A register when it is read and those of the CY and AC flags. Therefore, execute the instruction <3> after the instruction <2> instead of executing any other instructions. To perform BCD correction in the interrupt enabled state, saving and restoring the A register is required within the interrupt function. PSW (CY flag and AC flag) is restored by the RETI instruction.

An example is shown below.

Example: $91 - 52 = 39$

Instruction	A Register	CY Flag	AC Flag	BCDADJ Register
MOV A, #91H ; <1>	91H	–	–	–
SUB A, #52H ; <2>	3FH	0	1	06H
SUB A, !BCDADJ ; <3>	39H	0	0	–

CHAPTER 22 INSTRUCTION SET

This chapter lists the instructions for the RL78-S1 core of the RL78 microcontroller. For details of each operation and operation code, see the separate document **RL78 Microcontrollers User's Manual: software (R01US0015)**.

Remark The RL78-S2 core shares all instructions with the RL78-S1 core. Note, however, that the cores take different numbers of clock cycles to execute some instructions. The instructions which require different numbers of clock cycles are indicated by shading in the table under **22.2 Operation List**.

22.1 Conventions Used in Operation List

22.1.1 Operand identifiers and specification methods

Operands are described in the “Operand” column of each instruction in accordance with the description method of the instruction operand identifier (see the assembler specifications for details). When there are two or more description methods, select one of them. Alphabetic letters in capitals and the symbols, #, !, !!, \$, \$!, [], and ES: are keywords and are described as they are. Each symbol has the following meaning.

- #: Immediate data specification
- !: 16-bit absolute address specification
- !!: 20-bit absolute address specification
- \$: 8-bit relative address specification
- \$!: 16-bit relative address specification
- []: Indirect address specification
- ES:: Extension address specification

In the case of immediate data, describe an appropriate numeric value or a label. When using a label, be sure to describe the #, !, !!, \$, \$!, [], and ES: symbols.

For operand register identifiers, r and rp, either function names (X, A, C, etc.) or absolute names (names in parentheses in Table 22-1 below, R0, R1, R2, etc.) can be used for description.

Table 22-1. Operand Identifiers and Specification Methods

Identifier	Description Method
r	X (R0), A (R1), C (R2), B (R3), E (R4), D (R5), L (R6), H (R7)
rp	AX (RP0), BC (RP1), DE (RP2), HL (RP3)
sfr	Special-function register symbol (SFR symbol) FFF00H to FFFFFH
sfrp	Special-function register symbols (16-bit manipulatable SFR symbol. Even addresses only ^{Note}) FFF00H to FFFFFH
saddr	FFE20H to FFF1FH Immediate data or labels
saddrp	FFE20H to FF1FH Immediate data or labels (even addresses only ^{Note})
addr20	00000H to FFFFFH Immediate data or labels
addr16	0000H to FFFFH Immediate data or labels (only even addresses for 16-bit data transfer instructions ^{Note})
addr5	0080H to 00BFH Immediate data or labels (even addresses only)
word	16-bit immediate data or label
byte	8-bit immediate data or label
bit	3-bit immediate data or label

Note Bit 0 = 0 when an odd address is specified.

Remark The special function registers can be described to operand sfr as symbols. See **Table 3-4 SFR List** for the symbols of the special function registers. The extended special function registers can be described to operand laddr16 as symbols. See **Table 3-5 Extended SFR (2nd SFR) List** for the symbols of the extended special function registers.

22.1.2 Description of operation column

The operation when the instruction is executed is shown in the “Operation” column using the following symbols.

Table 22-2. Symbols in “Operation” Column

Symbol	Function
A	A register; 8-bit accumulator
X	X register
B	B register
C	C register
D	D register
E	E register
H	H register
L	L register
ES	ES register
CS	CS register
AX	AX register pair; 16-bit accumulator
BC	BC register pair
DE	DE register pair
HL	HL register pair
PC	Program counter
SP	Stack pointer
PSW	Program status word
CY	Carry flag
AC	Auxiliary carry flag
Z	Zero flag
IE	Interrupt request enable flag
()	Memory contents indicated by address or register contents in parentheses
X _H , X _L	16-bit registers: X _H = higher 8 bits, X _L = lower 8 bits
X _S , X _H , X _L	20-bit registers: X _S = (bits 19 to 16), X _H = (bits 15 to 8), X _L = (bits 7 to 0)
∧	Logical product (AND)
∨	Logical sum (OR)
⊕	Exclusive logical sum (exclusive OR)
–	Inverted data
addr5	16-bit immediate data (even addresses only in 0080H to 00BFH)
addr16	16-bit immediate data
addr20	20-bit immediate data
jdisp8	Signed 8-bit data (displacement value)
jdisp16	Signed 16-bit data (displacement value)

22.1.3 Description of flag operation column

The change of the flag value when the instruction is executed is shown in the “Flag” column using the following symbols.

Table 22-3. Symbols in “Flag” Column

Symbol	Change of Flag Value
(Blank)	Unchanged
0	Cleared to 0
1	Set to 1
x	Set/cleared according to the result
R	Previously saved value is restored

22.1.4 PREFIX instruction

Instructions with “ES:” have a PREFIX operation code as a prefix to extend the accessible data area to the 1 MB space (00000H to FFFFFH), by adding the ES register value to the 64 KB space from F0000H to FFFFFH. When a PREFIX operation code is attached as a prefix to the target instruction, only one instruction immediately after the PREFIX operation code is executed as the addresses with the ES register value added.

A interrupt and DMA transfer are not acknowledged between a PREFIX instruction code and the instruction immediately after.

Table 22-4. Use Example of PREFIX Operation Code

Instruction	Opcode				
	1	2	3	4	5
MOV !addr16, #byte	CFH	!addr16		#byte	–
MOV ES:!addr16, #byte	11H	CFH	!addr16		#byte
MOV A, [HL]	8BH	–	–	–	–
MOV A, ES:[HL]	11H	8BH	–	–	–

Caution Set the ES register value with MOV ES, A, etc., before executing the PREFIX instruction.

22.2 Operation List

Table 22-5. Operation List (1/17)

Instruction Group	Mnemonic	Operands	Bytes	Clocks		Clocks	Flag			
				Note 1	Note 2		Z	AC	CY	
8-bit data transfer	MOV	r, #byte	2	1	–	r ← byte				
		PSW, #byte	3	3	–	PSW ← byte	x	x	x	
		CS, #byte	3	1	–	CS ← byte				
		ES, #byte	2	1	–	ES ← byte				
		!addr16, #byte	4	1	–	(addr16) ← byte				
		ES:!addr16, #byte	5	2	–	(ES, addr16) ← byte				
		saddr, #byte	3	1	–	(saddr) ← byte				
		sfr, #byte	3	1	–	sfr ← byte				
		[DE+byte], #byte	3	1	–	(DE+byte) ← byte				
		ES:[DE+byte], #byte	4	2	–	((ES, DE)+byte) ← byte				
		[HL+byte], #byte	3	1	–	(HL+byte) ← byte				
		ES:[HL+byte], #byte	4	2	–	((ES, HL)+byte) ← byte				
		[SP+byte], #byte	3	1	–	(SP+byte) ← byte				
		word[B], #byte	4	1	–	(B+word) ← byte				
		ES:word[B], #byte	5	2	–	((ES, B)+word) ← byte				
		word[C], #byte	4	1	–	(C+word) ← byte				
		ES:word[C], #byte	5	2	–	((ES, C)+word) ← byte				
		word[BC], #byte	4	1	–	(BC+word) ← byte				
		ES:word[BC], #byte	5	2	–	((ES, BC)+word) ← byte				
		A, r <small>Note 3</small>	1	1	–	A ← r				
		r, A <small>Note 3</small>	1	1	–	r ← A				
		A, PSW	2	1	–	A ← PSW				
		PSW, A	2	3	–	PSW ← A		x	x	x
		A, CS	2	1	–	A ← CS				
		CS, A	2	1	–	CS ← A				
		A, ES	2	1	–	A ← ES				
		ES, A	2	1	–	ES ← A				
		A, !addr16	3	1	4	A ← (addr16)				
		A, ES:!addr16	4	2	5	A ← (ES, addr16)				
		!addr16, A	3	1	–	(addr16) ← A				
ES:!addr16, A	4	2	–	(ES, addr16) ← A						
A, saddr	2	1	–	A ← (saddr)						
saddr, A	2	1	–	(saddr) ← A						

- Notes**
1. Number of CPU clocks (f_{CLK}) when the internal RAM area, SFR area, or extended SFR area is accessed, or when no data is accessed.
 2. Number of CPU clocks (f_{CLK}) when the code flash memory is accessed.
 3. Except r = A

Remark These numbers of clock cycles apply when the program is in the internal ROM (flash memory) area. When the instruction is fetched from the internal RAM area, the number is, at most, the quadruple of the number given here plus 6 further clock cycles.

Table 22-5. Operation List (2/17)

Instruction Group	Mnemonic	Operands	Bytes	Clocks		Clocks	Flag		
				Note 1	Note 2		Z	AC	CY
8-bit data transfer	MOV	A, sfr	2	1	–	$A \leftarrow \text{sfr}$			
		sfr, A	2	1	–	$\text{sfr} \leftarrow A$			
		A, [DE]	1	1	4	$A \leftarrow (\text{DE})$			
		[DE], A	1	1	–	$(\text{DE}) \leftarrow A$			
		A, ES:[DE]	2	2	5	$A \leftarrow (\text{ES}, \text{DE})$			
		ES:[DE], A	2	2	–	$(\text{ES}, \text{DE}) \leftarrow A$			
		A, [HL]	1	1	4	$A \leftarrow (\text{HL})$			
		[HL], A	1	1	–	$(\text{HL}) \leftarrow A$			
		A, ES:[HL]	2	2	5	$A \leftarrow (\text{ES}, \text{HL})$			
		ES:[HL], A	2	2	–	$(\text{ES}, \text{HL}) \leftarrow A$			
		A, [DE+byte]	2	1	4	$A \leftarrow (\text{DE} + \text{byte})$			
		[DE+byte], A	2	1	–	$(\text{DE} + \text{byte}) \leftarrow A$			
		A, ES:[DE+byte]	3	2	5	$A \leftarrow ((\text{ES}, \text{DE}) + \text{byte})$			
		ES:[DE+byte], A	3	2	–	$((\text{ES}, \text{DE}) + \text{byte}) \leftarrow A$			
		A, [HL+byte]	2	1	4	$A \leftarrow (\text{HL} + \text{byte})$			
		[HL+byte], A	2	1	–	$(\text{HL} + \text{byte}) \leftarrow A$			
		A, ES:[HL+byte]	3	2	5	$A \leftarrow ((\text{ES}, \text{HL}) + \text{byte})$			
		ES:[HL+byte], A	3	2	–	$((\text{ES}, \text{HL}) + \text{byte}) \leftarrow A$			
		A, [SP+byte]	2	1	–	$A \leftarrow (\text{SP} + \text{byte})$			
		[SP+byte], A	2	1	–	$(\text{SP} + \text{byte}) \leftarrow A$			
		A, word[B]	3	1	4	$A \leftarrow (\text{B} + \text{word})$			
		word[B], A	3	1	–	$(\text{B} + \text{word}) \leftarrow A$			
		A, ES:word[B]	4	2	5	$A \leftarrow ((\text{ES}, \text{B}) + \text{word})$			
		ES:word[B], A	4	2	–	$((\text{ES}, \text{B}) + \text{word}) \leftarrow A$			
		A, word[C]	3	1	4	$A \leftarrow (\text{C} + \text{word})$			
		word[C], A	3	1	–	$(\text{C} + \text{word}) \leftarrow A$			
		A, ES:word[C]	4	2	5	$A \leftarrow ((\text{ES}, \text{C}) + \text{word})$			
		ES:word[C], A	4	2	–	$((\text{ES}, \text{C}) + \text{word}) \leftarrow A$			
		A, word[BC]	3	1	4	$A \leftarrow (\text{BC} + \text{word})$			
		word[BC], A	3	1	–	$(\text{BC} + \text{word}) \leftarrow A$			
A, ES:word[BC]	4	2	5	$A \leftarrow ((\text{ES}, \text{BC}) + \text{word})$					
ES:word[BC], A	4	2	–	$((\text{ES}, \text{BC}) + \text{word}) \leftarrow A$					

- Notes 1.** Number of CPU clocks (f_{CLK}) when the internal RAM area, SFR area, or extended SFR area is accessed, or when no data is accessed.
- 2.** Number of CPU clocks (f_{CLK}) when the code flash memory is accessed.

Remark These numbers of clock cycles apply when the program is in the internal ROM (flash memory) area. When the instruction is fetched from the internal RAM area, the number is, at most, the quadruple of the number given here plus 6 further clock cycles.

Table 22-5. Operation List (3/17)

Instruction Group	Mnemonic	Operands	Bytes	Clocks		Clocks	Flag		
				Note 1	Note 2		Z	AC	CY
8-bit data transfer	MOV	A, [HL+B]	2	1	4	$A \leftarrow (HL + B)$			
		[HL+B], A	2	1	–	$(HL + B) \leftarrow A$			
		A, ES:[HL+B]	3	2	5	$A \leftarrow ((ES, HL) + B)$			
		ES:[HL+B], A	3	2	–	$((ES, HL) + B) \leftarrow A$			
		A, [HL+C]	2	1	4	$A \leftarrow (HL + C)$			
		[HL+C], A	2	1	–	$(HL + C) \leftarrow A$			
		A, ES:[HL+C]	3	2	5	$A \leftarrow ((ES, HL) + C)$			
		ES:[HL+C], A	3	2	–	$((ES, HL) + C) \leftarrow A$			
		X, !addr16	3	1	4	$X \leftarrow (addr16)$			
		X, ES:!addr16	4	2	5	$X \leftarrow (ES, addr16)$			
		X, saddr	2	1	–	$X \leftarrow (saddr)$			
		B, !addr16	3	1	4	$B \leftarrow (addr16)$			
		B, ES:!addr16	4	2	5	$B \leftarrow (ES, addr16)$			
		B, saddr	2	1	–	$B \leftarrow (saddr)$			
		C, !addr16	3	1	4	$C \leftarrow (addr16)$			
		C, ES:!addr16	4	2	5	$C \leftarrow (ES, addr16)$			
	C, saddr	2	1	–	$C \leftarrow (saddr)$				
	ES, saddr	3	1	–	$ES \leftarrow (saddr)$				
	XCH	A, r ^{Note 3}	1 (r=X) 2 (other than r=X)	1	–	$A \leftrightarrow r$			
		A, !addr16	4	2	–	$A \leftrightarrow (addr16)$			
A, ES:!addr16		5	3	–	$A \leftrightarrow (ES, addr16)$				
A, saddr		3	2	–	$A \leftrightarrow (saddr)$				
A, sfr		3	2	–	$A \leftrightarrow sfr$				
A, [DE]		2	2	–	$A \leftrightarrow (DE)$				
A, ES:[DE]		3	3	–	$A \leftrightarrow (ES, DE)$				
A, [HL]		2	2	–	$A \leftrightarrow (HL)$				
A, ES:[HL]		3	3	–	$A \leftrightarrow (ES, HL)$				
A, [DE+byte]		3	2	–	$A \leftrightarrow (DE + \text{byte})$				
A, ES:[DE+byte]		4	3	–	$A \leftrightarrow ((ES, DE) + \text{byte})$				
A, [HL+byte]		3	2	–	$A \leftrightarrow (HL + \text{byte})$				
A, ES:[HL+byte]		4	3	–	$A \leftrightarrow ((ES, HL) + \text{byte})$				

- Notes 1.** Number of CPU clocks (f_{CLK}) when the internal RAM area, SFR area, or extended SFR area is accessed, or when no data is accessed.
- 2.** Number of CPU clocks (f_{CLK}) when the code flash memory is accessed.
- 3.** Except $r = A$

Remark These numbers of clock cycles apply when the program is in the internal ROM (flash memory) area. When the instruction is fetched from the internal RAM area, the number is, at most, the quadruple of the number given here plus 6 further clock cycles.

Table 22-5. Operation List (4/17)

Instruction Group	Mnemonic	Operands	Bytes	Clocks		Clocks	Flag			
				Note 1	Note 2		Z	AC	CY	
8-bit data transfer	XCH	A, [HL+B]	2	2	–	A ↔ (HL+B)				
		A, ES:[HL+B]	3	3	–	A ↔ ((ES, HL)+B)				
		A, [HL+C]	2	2	–	A ↔ (HL+C)				
		A, ES:[HL+C]	3	3	–	A ↔ ((ES, HL)+C)				
	ONEB	A	1	1	–	A ← 01H				
		X	1	1	–	X ← 01H				
		B	1	1	–	B ← 01H				
		C	1	1	–	C ← 01H				
		!addr16	3	1	–	(addr16) ← 01H				
		ES:!addr16	4	2	–	(ES, addr16) ← 01H				
		saddr	2	1	–	(saddr) ← 01H				
	CLRB	A	1	1	–	A ← 00H				
		X	1	1	–	X ← 00H				
		B	1	1	–	B ← 00H				
		C	1	1	–	C ← 00H				
		!addr16	3	1	–	(addr16) ← 00H				
		ES:!addr16	4	2	–	(ES, addr16) ← 00H				
		saddr	2	1	–	(saddr) ← 00H				
	MOVS	[HL+byte], X	3	1	–	(HL+byte) ← X	×		×	
		ES:[HL+byte], X	4	2	–	(ES, HL+byte) ← X	×		×	
	16-bit data transfer	MOVW	rp, #word	3	2	–	rp ← word			
			saddrp, #word	4	2	–	(saddrp) ← word			
			sfrp, #word	4	2	–	sfrp ← word			
AX, rp ^{Note 3}			1	2	–	AX ← rp				
rp, AX ^{Note 3}			1	2	–	rp ← AX				
AX, !addr16			3	2	5	AX ← (addr16)				
!addr16, AX			3	2	–	(addr16) ← AX				
AX, ES:!addr16			4	3	6	AX ← (ES, addr16)				
ES:!addr16, AX			4	3	–	(ES, addr16) ← AX				
AX, saddrp			2	2	–	AX ← (saddrp)				
saddrp, AX			2	2	–	(saddrp) ← AX				
AX, sfrp			2	2	–	AX ← sfrp				
sfrp, AX			2	2	–	sfrp ← AX				

- Notes 1.** Number of CPU clocks (f_{CLK}) when the internal RAM area, SFR area, or extended SFR area is accessed, or when no data is accessed.
- 2.** Number of CPU clocks (f_{CLK}) when the code flash memory is accessed.
- 3.** Except $rp = AX$

Remark These numbers of clock cycles apply when the program is in the internal ROM (flash memory) area. When the instruction is fetched from the internal RAM area, the number is, at most, the quadruple of the number given here plus 6 further clock cycles.

Table 22-5. Operation List (5/17)

Instruction Group	Mnemonic	Operands	Bytes	Clocks		Clocks	Flag		
				Note 1	Note 2		Z	AC	CY
16-bit data transfer	MOVW	AX, [DE]	1	2	5	AX ← (DE)			
		[DE], AX	1	2	–	(DE) ← AX			
		AX, ES:[DE]	2	3	6	AX ← (ES, DE)			
		ES:[DE], AX	2	3	–	(ES, DE) ← AX			
		AX, [HL]	1	2	5	AX ← (HL)			
		[HL], AX	1	2	–	(HL) ← AX			
		AX, ES:[HL]	2	3	6	AX ← (ES, HL)			
		ES:[HL], AX	2	3	–	(ES, HL) ← AX			
		AX, [DE+byte]	2	2	5	AX ← (DE+byte)			
		[DE+byte], AX	2	2	–	(DE+byte) ← AX			
		AX, ES:[DE+byte]	3	3	6	AX ← ((ES, DE) + byte)			
		ES:[DE+byte], AX	3	3	–	((ES, DE) + byte) ← AX			
		AX, [HL+byte]	2	2	5	AX ← (HL + byte)			
		[HL+byte], AX	2	2	–	(HL + byte) ← AX			
		AX, ES:[HL+byte]	3	3	6	AX ← ((ES, HL) + byte)			
		ES:[HL+byte], AX	3	3	–	((ES, HL) + byte) ← AX			
		AX, [SP+byte]	2	2	–	AX ← (SP + byte)			
		[SP+byte], AX	2	2	–	(SP + byte) ← AX			
		AX, word[B]	3	2	5	AX ← (B + word)			
		word[B], AX	3	2	–	(B + word) ← AX			
		AX, ES:word[B]	4	3	6	AX ← ((ES, B) + word)			
		ES:word[B], AX	4	3	–	((ES, B) + word) ← AX			
		AX, word[C]	3	2	5	AX ← (C + word)			
		word[C], AX	3	2	–	(C + word) ← AX			
		AX, ES:word[C]	4	3	6	AX ← ((ES, C) + word)			
		ES:word[C], AX	4	3	–	((ES, C) + word) ← AX			
		AX, word[BC]	3	2	5	AX ← (BC + word)			
		word[BC], AX	3	2	–	(BC + word) ← AX			
		AX, ES:word[BC]	4	3	6	AX ← ((ES, BC) + word)			
		ES:word[BC], AX	4	3	–	((ES, BC) + word) ← AX			

Notes 1. Number of CPU clocks (f_{CLK}) when the internal RAM area, SFR area, or extended SFR area is accessed, or when no data is accessed.

2. Number of CPU clocks (f_{CLK}) when the code flash memory is accessed.

Remark These numbers of clock cycles apply when the program is in the internal ROM (flash memory) area. When the instruction is fetched from the internal RAM area, the number is, at most, the quadruple of the number given here plus 6 further clock cycles.

Table 22-5. Operation List (6/17)

Instruction Group	Mnemonic	Operands	Bytes	Clocks		Clocks	Flag		
				Note 1	Note 2		Z	AC	CY
16-bit data transfer	MOVW	BC, !addr16	3	2	5	BC ← (addr16)			
		BC, ES:!addr16	4	3	6	BC ← (ES, addr16)			
		DE, !addr16	3	2	5	DE ← (addr16)			
		DE, ES:!addr16	4	3	6	DE ← (ES, addr16)			
		HL, !addr16	3	2	5	HL ← (addr16)			
		HL, ES:!addr16	4	3	6	HL ← (ES, addr16)			
		BC, saddrp	2	2	–	BC ← (saddrp)			
		DE, saddrp	2	2	–	DE ← (saddrp)			
		HL, saddrp	2	2	–	HL ← (saddrp)			
	XCHW	AX, rp ^{Note 3}	1	2	–	AX ↔ rp			
	ONEW	AX	1	2	–	AX ← 0001H			
		BC	1	2	–	BC ← 0001H			
	CLRW	AX	1	2	–	AX ← 0000H			
		BC	1	2	–	BC ← 0000H			
8-bit operation	ADD	A, #byte	2	1	–	A, CY ← A + byte	x	x	x
		saddr, #byte	3	2	–	(saddr), CY ← (saddr)+byte	x	x	x
		A, r ^{Note 4}	2	1	–	A, CY ← A + r	x	x	x
		r, A	2	1	–	r, CY ← r + A	x	x	x
		A, !addr16	3	1	4	A, CY ← A + (addr16)	x	x	x
		A, ES:!addr16	4	2	5	A, CY ← A + (ES, addr16)	x	x	x
		A, saddr	2	1	–	A, CY ← A + (saddr)	x	x	x
		A, [HL]	1	1	4	A, CY ← A + (HL)	x	x	x
		A, ES:[HL]	2	2	5	A, CY ← A + (ES, HL)	x	x	x
		A, [HL+byte]	2	1	4	A, CY ← A + (HL+byte)	x	x	x
		A, ES:[HL+byte]	3	2	5	A, CY ← A + ((ES, HL)+byte)	x	x	x
		A, [HL+B]	2	1	4	A, CY ← A + (HL+B)	x	x	x
		A, ES:[HL+B]	3	2	5	A, CY ← A + ((ES, HL)+B)	x	x	x
		A, [HL+C]	2	1	4	A, CY ← A + (HL+C)	x	x	x
		A, ES:[HL+C]	3	2	5	A, CY ← A + ((ES, HL) + C)	x	x	x

Notes 1. Number of CPU clocks (f_{CLK}) when the internal RAM area, SFR area, or extended SFR area is accessed, or when no data is accessed.

2. Number of CPU clocks (f_{CLK}) when the code flash memory is accessed.

3. Except rp = AX

4. Except r = A

Remark These numbers of clock cycles apply when the program is in the internal ROM (flash memory) area. When the instruction is fetched from the internal RAM area, the number is, at most, the quadruple of the number given here plus 6 further clock cycles.

Table 22-5. Operation List (7/17)

Instruction Group	Mnemonic	Operands	Bytes	Clocks		Clocks	Flag		
				Note 1	Note 2		Z	AC	CY
8-bit operation	ADDC	A, #byte	2	1	–	A, CY ← A+byte+CY	x	x	x
		saddr, #byte	3	2	–	(saddr), CY ← (saddr) + byte+CY	x	x	x
		A, r ^{Note 3}	2	1	–	A, CY ← A + r + CY	x	x	x
		r, A	2	1	–	r, CY ← r + A + CY	x	x	x
		A, laddr16	3	1	4	A, CY ← A + (addr16)+CY	x	x	x
		A, ES:laddr16	4	2	5	A, CY ← A + (ES, addr16)+CY	x	x	x
		A, saddr	2	1	–	A, CY ← A + (saddr)+CY	x	x	x
		A, [HL]	1	1	4	A, CY ← A+ (HL) + CY	x	x	x
		A, ES:[HL]	2	2	5	A,CY ← A+ (ES, HL) + CY	x	x	x
		A, [HL+byte]	2	1	4	A, CY ← A+ (HL+byte) + CY	x	x	x
		A, ES:[HL+byte]	3	2	5	A,CY ← A+ ((ES, HL)+byte) + CY	x	x	x
		A, [HL+B]	2	1	4	A, CY ← A+ (HL+B) +CY	x	x	x
		A, ES:[HL+B]	3	2	5	A,CY ← A+((ES, HL)+B)+CY	x	x	x
		A, [HL+C]	2	1	4	A, CY ← A+ (HL+C)+CY	x	x	x
		A, ES:[HL+C]	3	2	5	A,CY ← A+ ((ES, HL)+C)+CY	x	x	x
	SUB	A, #byte	2	1	–	A, CY ← A – byte	x	x	x
		saddr, #byte	3	2	–	(saddr), CY ← (saddr) – byte	x	x	x
		A, r ^{Note 3}	2	1	–	A, CY ← A – r	x	x	x
		r, A	2	1	–	r, CY ← r – A	x	x	x
		A, laddr16	3	1	4	A, CY ← A – (addr16)	x	x	x
		A, ES:laddr16	4	2	5	A, CY ← A – (ES, addr16)	x	x	x
		A, saddr	2	1	–	A, CY ← A – (saddr)	x	x	x
		A, [HL]	1	1	4	A, CY ← A – (HL)	x	x	x
		A, ES:[HL]	2	2	5	A,CY ← A – (ES, HL)	x	x	x
		A, [HL+byte]	2	1	4	A, CY ← A – (HL+byte)	x	x	x
		A, ES:[HL+byte]	3	2	5	A,CY ← A – ((ES, HL)+byte)	x	x	x
		A, [HL+B]	2	1	4	A, CY ← A – (HL+B)	x	x	x
		A, ES:[HL+B]	3	2	5	A,CY ← A – ((ES, HL)+B)	x	x	x
A, [HL+C]	2	1	4	A, CY ← A – (HL+C)	x	x	x		
A, ES:[HL+C]	3	2	5	A,CY ← A – ((ES, HL)+C)	x	x	x		

- Notes 1.** Number of CPU clocks (f_{CLK}) when the internal RAM area, SFR area, or extended SFR area is accessed, or when no data is accessed.
- 2.** Number of CPU clocks (f_{CLK}) when the code flash memory is accessed.
- 3.** Except $r = A$

Remark These numbers of clock cycles apply when the program is in the internal ROM (flash memory) area. When the instruction is fetched from the internal RAM area, the number is, at most, the quadruple of the number given here plus 6 further clock cycles.

Table 22-5. Operation List (8/17)

Instruction Group	Mnemonic	Operands	Bytes	Clocks		Clocks	Flag		
				Note 1	Note 2		Z	AC	CY
8-bit operation	SUBC	A, #byte	2	1	–	$A, CY \leftarrow A - \text{byte} - CY$	x	x	x
		saddr, #byte	3	2	–	$(saddr), CY \leftarrow (saddr) - \text{byte} - CY$	x	x	x
		A, r ^{Note 3}	2	1	–	$A, CY \leftarrow A - r - CY$	x	x	x
		r, A	2	1	–	$r, CY \leftarrow r - A - CY$	x	x	x
		A, laddr16	3	1	4	$A, CY \leftarrow A - (\text{addr16}) - CY$	x	x	x
		A, ES:laddr16	4	2	5	$A, CY \leftarrow A - (\text{ES}, \text{addr16}) - CY$	x	x	x
		A, saddr	2	1	–	$A, CY \leftarrow A - (saddr) - CY$	x	x	x
		A, [HL]	1	1	4	$A, CY \leftarrow A - (\text{HL}) - CY$	x	x	x
		A, ES:[HL]	2	2	5	$A, CY \leftarrow A - (\text{ES}, \text{HL}) - CY$	x	x	x
		A, [HL+byte]	2	1	4	$A, CY \leftarrow A - (\text{HL} + \text{byte}) - CY$	x	x	x
		A, ES:[HL+byte]	3	2	5	$A, CY \leftarrow A - ((\text{ES}, \text{HL}) + \text{byte}) - CY$	x	x	x
		A, [HL+B]	2	1	4	$A, CY \leftarrow A - (\text{HL} + B) - CY$	x	x	x
		A, ES:[HL+B]	3	2	5	$A, CY \leftarrow A - ((\text{ES}, \text{HL}) + B) - CY$	x	x	x
		A, [HL+C]	2	1	4	$A, CY \leftarrow A - (\text{HL} + C) - CY$	x	x	x
		A, ES:[HL+C]	3	2	5	$A, CY \leftarrow A - ((\text{ES}, \text{HL}) + C) - CY$	x	x	x
	AND	A, #byte	2	1	–	$A \leftarrow A \wedge \text{byte}$	x		
		saddr, #byte	3	2	–	$(saddr) \leftarrow (saddr) \wedge \text{byte}$	x		
		A, r ^{Note 3}	2	1	–	$A \leftarrow A \wedge r$	x		
		r, A	2	1	–	$R \leftarrow r \wedge A$	x		
		A, laddr16	3	1	4	$A \leftarrow A \wedge (\text{addr16})$	x		
		A, ES:laddr16	4	2	5	$A \leftarrow A \wedge (\text{ES}: \text{addr16})$	x		
		A, saddr	2	1	–	$A \leftarrow A \wedge (saddr)$	x		
		A, [HL]	1	1	4	$A \leftarrow A \wedge (\text{HL})$	x		
		A, ES:[HL]	2	2	5	$A \leftarrow A \wedge (\text{ES}: \text{HL})$	x		
		A, [HL+byte]	2	1	4	$A \leftarrow A \wedge (\text{HL} + \text{byte})$	x		
		A, ES:[HL+byte]	3	2	5	$A \leftarrow A \wedge ((\text{ES}: \text{HL}) + \text{byte})$	x		
		A, [HL+B]	2	1	4	$A \leftarrow A \wedge (\text{HL} + B)$	x		
		A, ES:[HL+B]	3	2	5	$A \leftarrow A \wedge ((\text{ES}: \text{HL}) + B)$	x		
A, [HL+C]	2	1	4	$A \leftarrow A \wedge (\text{HL} + C)$	x				
A, ES:[HL+C]	3	2	5	$A \leftarrow A \wedge ((\text{ES}: \text{HL}) + C)$	x				

Notes 1. Number of CPU clocks (f_{CLK}) when the internal RAM area, SFR area, or extended SFR area is accessed, or when no data is accessed.

2. Number of CPU clocks (f_{CLK}) when the code flash memory is accessed.

3. Except $r = A$

Remark These numbers of clock cycles apply when the program is in the internal ROM (flash memory) area. When the instruction is fetched from the internal RAM area, the number is, at most, the quadruple of the number given here plus 6 further clock cycles.

Table 22-5. Operation List (9/17)

Instruction Group	Mnemonic	Operands	Bytes	Clocks		Clocks	Flag		
				Note 1	Note 2		Z	AC	CY
8-bit operation	OR	A, #byte	2	1	–	$A \leftarrow A \vee \text{byte}$		x	
		saddr, #byte	3	2	–	$(\text{saddr}) \leftarrow (\text{saddr}) \vee \text{byte}$		x	
		A, r ^{Note 3}	2	1	–	$A \leftarrow A \vee r$		x	
		r, A	2	1	–	$r \leftarrow r \vee A$		x	
		A, !addr16	3	1	4	$A \leftarrow A \vee \text{addr16}$		x	
		A, ES:!addr16	4	2	5	$A \leftarrow A \vee (\text{ES:addr16})$		x	
		A, saddr	2	1	–	$A \leftarrow A \vee (\text{saddr})$		x	
		A, [HL]	1	1	4	$A \leftarrow A \vee (\text{H})$		x	
		A, ES:[HL]	2	2	5	$A \leftarrow A \vee (\text{ES:HL})$		x	
		A, [HL+byte]	2	1	4	$A \leftarrow A \vee (\text{HL}+\text{byte})$		x	
		A, ES:[HL+byte]	3	2	5	$A \leftarrow A \vee ((\text{ES:HL})+\text{byte})$		x	
		A, [HL+B]	2	1	4	$A \leftarrow A \vee (\text{HL}+\text{B})$		x	
		A, ES:[HL+B]	3	2	5	$A \leftarrow A \vee ((\text{ES:HL})+\text{B})$		x	
		A, [HL+C]	2	1	4	$A \leftarrow A \vee (\text{HL}+\text{C})$		x	
		A, ES:[HL+C]	3	2	5	$A \leftarrow A \vee ((\text{ES:HL})+\text{C})$		x	
		XOR	A, #byte	2	1	–	$A \leftarrow A \oplus \text{byte}$		x
	saddr, #byte		3	2	–	$(\text{saddr}) \leftarrow (\text{saddr}) \oplus \text{byte}$		x	
	A, r ^{Note 3}		2	1	–	$A \leftarrow A \oplus r$		x	
	r, A		2	1	–	$r \leftarrow r \oplus A$		x	
	A, !addr16		3	1	4	$A \leftarrow A \oplus (\text{addr16})$		x	
	A, ES:!addr16		4	2	5	$A \leftarrow A \oplus (\text{ES:addr16})$		x	
	A, saddr		2	1	–	$A \leftarrow A \oplus (\text{saddr})$		x	
	A, [HL]		1	1	4	$A \leftarrow A \oplus (\text{HL})$		x	
	A, ES:[HL]		2	2	5	$A \leftarrow A \oplus (\text{ES:HL})$		x	
	A, [HL+byte]		2	1	4	$A \leftarrow A \oplus (\text{HL}+\text{byte})$		x	
	A, ES:[HL+byte]		3	2	5	$A \leftarrow A \oplus ((\text{ES:HL})+\text{byte})$		x	
	A, [HL+B]		2	1	4	$A \leftarrow A \oplus (\text{HL}+\text{B})$		x	
	A, ES:[HL+B]	3	2	5	$A \leftarrow A \oplus ((\text{ES:HL})+\text{B})$		x		
A, [HL+C]	2	1	4	$A \leftarrow A \oplus (\text{HL}+\text{C})$		x			
A, ES:[HL+C]	3	2	5	$A \leftarrow A \oplus ((\text{ES:HL})+\text{C})$		x			

- Notes 1.** Number of CPU clocks (f_{CLK}) when the internal RAM area, SFR area, or extended SFR area is accessed, or when no data is accessed.
- 2.** Number of CPU clocks (f_{CLK}) when the code flash memory is accessed.
- 3.** Except $r = A$

Remark These numbers of clock cycles apply when the program is in the internal ROM (flash memory) area. When the instruction is fetched from the internal RAM area, the number is, at most, the quadruple of the number given here plus 6 further clock cycles.

Table 22-5. Operation List (10/17)

Instruction Group	Mnemonic	Operands	Bytes	Clocks		Clocks	Flag		
				Note 1	Note 2		Z	AC	CY
8-bit operation	CMP	A, #byte	2	1	–	A – byte	x	x	x
		!addr16, #byte	4	1	4	(addr16) – byte	x	x	x
		ES:!addr16, #byte	5	2	5	(ES:addr16) – byte	x	x	x
		saddr, #byte	3	1	–	(saddr) – byte	x	x	x
		A, r ^{Note3}	2	1	–	A – r	x	x	x
		r, A	2	1	–	r – A	x	x	x
		A, !addr16	3	1	4	A – (addr16)	x	x	x
		A, ES:!addr16	4	2	5	A – (ES:addr16)	x	x	x
		A, saddr	2	1	–	A – (saddr)	x	x	x
		A, [HL]	1	1	4	A – (HL)	x	x	x
		A, ES:[HL]	2	2	5	A – (ES:HL)	x	x	x
		A, [HL+byte]	2	1	4	A – (HL+byte)	x	x	x
		A, ES:[HL+byte]	3	2	5	A – ((ES:HL)+byte)	x	x	x
		A, [HL+B]	2	1	4	A – (HL+B)	x	x	x
		A, ES:[HL+B]	3	2	5	A – ((ES:HL)+B)	x	x	x
		A, [HL+C]	2	1	4	A – (HL+C)	x	x	x
		A, ES:[HL+C]	3	2	5	A – ((ES:HL)+C)	x	x	x
	CMP0	A	1	1	–	A – 00H	x	0	0
		X	1	1	–	X – 00H	x	0	0
		B	1	1	–	B – 00H	x	0	0
		C	1	1	–	C – 00H	x	0	0
		!addr16	3	1	4	(addr16) – 00H	x	0	0
		ES:!addr16	4	2	5	(ES:addr16) – 00H	x	0	0
		saddr	2	1	–	(saddr) – 00H	x	0	0
	CMPS	X, [HL+byte]	3	1	4	X – (HL+byte)	x	x	x
		X, ES:[HL+byte]	4	2	5	X – ((ES:HL)+byte)	x	x	x

- Notes**
1. Number of CPU clocks (f_{CLK}) when the internal RAM area, SFR area, or extended SFR area is accessed, or when no data is accessed.
 2. Number of CPU clocks (f_{CLK}) when the code flash memory is accessed.
 3. Except $r = A$

Remark These numbers of clock cycles apply when the program is in the internal ROM (flash memory) area. When the instruction is fetched from the internal RAM area, the number is, at most, the quadruple of the number given here plus 6 further clock cycles.

Table 22-5. Operation List (11/17)

Instruction Group	Mnemonic	Operands	Bytes	Clocks		Clocks	Flag			
				Note 1	Note 2		Z	AC	CY	
16-bit operation	ADDW	AX, #word	3	2	–	AX, CY ← AX+word	x	x	x	
		AX, AX	1	2	–	AX, CY ← AX+AX	x	x	x	
		AX, BC	1	2	–	AX, CY ← AX+BC	x	x	x	
		AX, DE	1	2	–	AX, CY ← AX+DE	x	x	x	
		AX, HL	1	2	–	AX, CY ← AX+HL	x	x	x	
		AX, !addr16	3	2	5	AX, CY ← AX+(addr16)	x	x	x	
		AX, ES:!addr16	4	3	6	AX, CY ← AX+(ES:addr16)	x	x	x	
		AX, saddrp	2	2	–	AX, CY ← AX+(saddrp)	x	x	x	
		AX, [HL+byte]	3	2	5	AX, CY ← AX+(HL+byte)	x	x	x	
		AX, ES: [HL+byte]	4	3	6	AX, CY ← AX+((ES:HL)+byte)	x	x	x	
	SUBW	AX, #word	3	2	–	AX, CY ← AX – word	x	x	x	
		AX, BC	1	2	–	AX, CY ← AX – BC	x	x	x	
		AX, DE	1	2	–	AX, CY ← AX – DE	x	x	x	
		AX, HL	1	2	–	AX, CY ← AX – HL	x	x	x	
		AX, !addr16	3	2	5	AX, CY ← AX – (addr16)	x	x	x	
		AX, ES:!addr16	4	3	6	AX, CY ← AX – (ES:addr16)	x	x	x	
		AX, saddrp	2	2	–	AX, CY ← AX – (saddrp)	x	x	x	
		AX, [HL+byte]	3	2	5	AX, CY ← AX – (HL+byte)	x	x	x	
		AX, ES: [HL+byte]	4	3	6	AX, CY ← AX – ((ES:HL)+byte)	x	x	x	
		CMPW	AX, #word	3	2	–	AX – word	x	x	x
	AX, BC		1	2	–	AX – BC	x	x	x	
	AX, DE		1	2	–	AX – DE	x	x	x	
	AX, HL		1	2	–	AX – HL	x	x	x	
	AX, !addr16		3	2	5	AX – (addr16)	x	x	x	
	AX, ES:!addr16		4	3	6	AX – (ES:addr16)	x	x	x	
	AX, saddrp		2	2	–	AX – (saddrp)	x	x	x	
	AX, [HL+byte]		3	2	5	AX – (HL+byte)	x	x	x	
	AX, ES: [HL+byte]		4	3	6	AX – ((ES:HL)+byte)	x	x	x	
	Multiply	MULU	X	1	2	–	AX ← A×X			

- Notes 1.** Number of CPU clocks (f_{CLK}) when the internal RAM area, SFR area, or extended SFR area is accessed, or when no data is accessed.
- 2.** Number of CPU clocks (f_{CLK}) when the code flash memory is accessed.

Remark These numbers of clock cycles apply when the program is in the internal ROM (flash memory) area. When the instruction is fetched from the internal RAM area, the number is, at most, the quadruple of the number given here plus 6 further clock cycles.

Table 22-5. Operation List (12/17)

Instruction Group	Mnemonic	Operands	Bytes	Clocks		Clocks	Flag		
				Note 1	Note 2		Z	AC	CY
Increment/ decrement	INC	r	1	1	–	$r \leftarrow r+1$	x	x	
		!addr16	3	2	–	$(addr16) \leftarrow (addr16)+1$	x	x	
		ES:!addr16	4	3	–	$(ES, addr16) \leftarrow (ES, addr16)+1$	x	x	
		saddr	2	2	–	$(saddr) \leftarrow (saddr)+1$	x	x	
		[HL+byte]	3	2	–	$(HL+byte) \leftarrow (HL+byte)+1$	x	x	
		ES: [HL+byte]	4	3	–	$((ES:HL)+byte) \leftarrow ((ES:HL)+byte)+1$	x	x	
	DEC	r	1	1	–	$r \leftarrow r - 1$	x	x	
		!addr16	3	2	–	$(addr16) \leftarrow (addr16) - 1$	x	x	
		ES:!addr16	4	3	–	$(ES, addr16) \leftarrow (ES, addr16) - 1$	x	x	
		saddr	2	2	–	$(saddr) \leftarrow (saddr) - 1$	x	x	
		[HL+byte]	3	2	–	$(HL+byte) \leftarrow (HL+byte) - 1$	x	x	
		ES: [HL+byte]	4	3	–	$((ES:HL)+byte) \leftarrow ((ES:HL)+byte) - 1$	x	x	
	INCW	rp	1	2	–	$rp \leftarrow rp+1$			
		!addr16	3	4	–	$(addr16) \leftarrow (addr16)+1$			
		ES:!addr16	4	5	–	$(ES, addr16) \leftarrow (ES, addr16)+1$			
		saddrp	2	4	–	$(saddrp) \leftarrow (saddrp)+1$			
		[HL+byte]	3	4	–	$(HL+byte) \leftarrow (HL+byte)+1$			
		ES: [HL+byte]	4	5	–	$((ES:HL)+byte) \leftarrow ((ES:HL)+byte)+1$			
	DECW	rp	1	2	–	$rp \leftarrow rp - 1$			
		!addr16	3	4	–	$(addr16) \leftarrow (addr16) - 1$			
		ES:!addr16	4	5	–	$(ES, addr16) \leftarrow (ES, addr16) - 1$			
		saddrp	2	4	–	$(saddrp) \leftarrow (saddrp) - 1$			
		[HL+byte]	3	4	–	$(HL+byte) \leftarrow (HL+byte) - 1$			
		ES: [HL+byte]	4	5	–	$((ES:HL)+byte) \leftarrow ((ES:HL)+byte) - 1$			
Shift	SHR	A, cnt	2	1	–	$(CY \leftarrow A_0, A_{m-1} \leftarrow A_m, A_7 \leftarrow 0) \times cnt$			x
	SHRW	AX, cnt	2	2	–	$(CY \leftarrow AX_0, AX_{m-1} \leftarrow AX_m, AX_{15} \leftarrow 0) \times cnt$			x
	SHL	A, cnt	2	1	–	$(CY \leftarrow A_7, A_m \leftarrow A_{m-1}, A_0 \leftarrow 0) \times cnt$			x
		B, cnt	2	1	–	$(CY \leftarrow B_7, B_m \leftarrow B_{m-1}, B_0 \leftarrow 0) \times cnt$			x
		C, cnt	2	1	–	$(CY \leftarrow C_7, C_m \leftarrow C_{m-1}, C_0 \leftarrow 0) \times cnt$			x
	SHLW	AX, cnt	2	2	–	$(CY \leftarrow AX_{15}, AX_m \leftarrow AX_{m-1}, AX_0 \leftarrow 0) \times cnt$			x
		BC, cnt	2	2	–	$(CY \leftarrow BC_{15}, BC_m \leftarrow BC_{m-1}, BC_0 \leftarrow 0) \times cnt$			x
	SAR	A, cnt	2	1	–	$(CY \leftarrow A_0, A_{m-1} \leftarrow A_m, A_7 \leftarrow A_7) \times cnt$			x
SARW	AX, cnt	2	2	–	$(CY \leftarrow AX_0, AX_{m-1} \leftarrow AX_m, AX_{15} \leftarrow AX_{15}) \times cnt$			x	

Notes 1. Number of CPU clocks (f_{CLK}) when the internal RAM area, SFR area, or extended SFR area is accessed, or when no data is accessed.

2. Number of CPU clocks (f_{CLK}) when the code flash memory is accessed.

Remarks 1. These numbers of clock cycles apply when the program is in the internal ROM (flash memory) area. When the instruction is fetched from the internal RAM area, the number is, at most, the quadruple of the number given here plus 6 further clock cycles.

2. cnt indicates the bit shift count.

Table 22-5. Operation List (13/17)

Instruction Group	Mnemonic	Operands	Bytes	Clocks		Clocks	Flag		
				Note 1	Note 2		Z	AC	CY
Rotate	ROR	A, 1	2	1	–	$(CY, A_7 \leftarrow A_0, A_{m-1} \leftarrow A_m) \times 1$			×
	ROL	A, 1	2	1	–	$(CY, A_0 \leftarrow A_7, A_{m+1} \leftarrow A_m) \times 1$			×
	RORC	A, 1	2	1	–	$(CY \leftarrow A_0, A_7 \leftarrow CY, A_{m-1} \leftarrow A_m) \times 1$			×
	ROLC	A, 1	2	1	–	$(CY \leftarrow A_7, A_0 \leftarrow CY, A_{m+1} \leftarrow A_m) \times 1$			×
	ROLWC	AX, 1	2	2	–	$(CY \leftarrow AX_{15}, AX_0 \leftarrow CY, AX_{m+1} \leftarrow AX_m) \times 1$			×
		BC, 1	2	2	–	$(CY \leftarrow BC_{15}, BC_0 \leftarrow CY, BC_{m+1} \leftarrow BC_m) \times 1$			×
Bit manipulate	MOV1	CY, A.bit	2	1	–	$CY \leftarrow A.bit$			×
		A.bit, CY	2	1	–	$A.bit \leftarrow CY$			
		CY, PSW.bit	3	1	–	$CY \leftarrow PSW.bit$			×
		PSW.bit, CY	3	4	–	$PSW.bit \leftarrow CY$	×	×	
		CY, saddr.bit	3	1	–	$CY \leftarrow (saddr).bit$			×
		saddr.bit, CY	3	2	–	$(saddr).bit \leftarrow CY$			
		CY, sfr.bit	3	1	–	$CY \leftarrow sfr.bit$			×
		sfr.bit, CY	3	2	–	$sfr.bit \leftarrow CY$			
		CY, [HL].bit	2	1	4	$CY \leftarrow (HL).bit$			×
		[HL].bit, CY	2	2	–	$(HL).bit \leftarrow CY$			
		CY, ES:[HL].bit	3	2	5	$CY \leftarrow (ES, HL).bit$			×
		ES:[HL].bit, CY	3	3	–	$(ES, HL).bit \leftarrow CY$			
	AND1	CY, A.bit	2	1	–	$CY \leftarrow CY \wedge A.bit$			×
		CY, PSW.bit	3	1	–	$CY \leftarrow CY \wedge PSW.bit$			×
		CY, saddr.bit	3	1	–	$CY \leftarrow CY \wedge (saddr).bit$			×
		CY, sfr.bit	3	1	–	$CY \leftarrow CY \wedge sfr.bit$			×
		CY, [HL].bit	2	1	4	$CY \leftarrow CY \wedge (HL).bit$			×
		CY, ES:[HL].bit	3	2	5	$CY \leftarrow CY \wedge (ES, HL).bit$			×
	OR1	CY, A.bit	2	1	–	$CY \leftarrow CY \vee A.bit$			×
		CY, PSW.bit	3	1	–	$CY \leftarrow CY \vee PSW.bit$			×
		CY, saddr.bit	3	1	–	$CY \leftarrow CY \vee (saddr).bit$			×
		CY, sfr.bit	3	1	–	$CY \leftarrow CY \vee sfr.bit$			×
		CY, [HL].bit	2	1	4	$CY \leftarrow CY \vee (HL).bit$			×
		CY, ES:[HL].bit	3	2	5	$CY \leftarrow CY \vee (ES, HL).bit$			×

- Notes 1.** Number of CPU clocks (f_{CLK}) when the internal RAM area, SFR area, or extended SFR area is accessed, or when no data is accessed.
- 2.** Number of CPU clocks (f_{CLK}) when the code flash memory is accessed.

Remark These numbers of clock cycles apply when the program is in the internal ROM (flash memory) area. When the instruction is fetched from the internal RAM area, the number is, at most, the quadruple of the number given here plus 6 further clock cycles.

Table 22-5. Operation List (14/17)

Instruction Group	Mnemonic	Operands	Bytes	Clocks		Clocks	Flag		
				Note 1	Note 2		Z	AC	CY
Bit manipulate	XOR1	CY, A.bit	2	1	–	$CY \leftarrow CY \nabla A.bit$			x
		CY, PSW.bit	3	1	–	$CY \leftarrow CY \nabla PSW.bit$			x
		CY, saddr.bit	3	1	–	$CY \leftarrow CY \nabla (saddr).bit$			x
		CY, sfr.bit	3	1	–	$CY \leftarrow CY \nabla sfr.bit$			x
		CY, [HL].bit	2	1	4	$CY \leftarrow CY \nabla (HL).bit$			x
		CY, ES:[HL].bit	3	2	5	$CY \leftarrow CY \nabla (ES, HL).bit$			x
	SET1	A.bit	2	1	–	$A.bit \leftarrow 1$			
		PSW.bit	3	4	–	$PSW.bit \leftarrow 1$	x	x	x
		!addr16.bit	4	2	–	$(addr16).bit \leftarrow 1$			
		ES:!addr16.bit	5	3	–	$(ES, addr16).bit \leftarrow 1$			
		saddr.bit	3	2	–	$(saddr).bit \leftarrow 1$			
		sfr.bit	3	2	–	$sfr.bit \leftarrow 1$			
		[HL].bit	2	2	–	$(HL).bit \leftarrow 1$			
	ES:[HL].bit	3	3	–	$(ES, HL).bit \leftarrow 1$				
	CLR1	A.bit	2	1	–	$A.bit \leftarrow 0$			
		PSW.bit	3	4	–	$PSW.bit \leftarrow 0$	x	x	x
		!addr16.bit	4	2	–	$(addr16).bit \leftarrow 0$			
		ES:!addr16.bit	5	3	–	$(ES, addr16).bit \leftarrow 0$			
		saddr.bit	3	2	–	$(saddr).bit \leftarrow 0$			
		sfr.bit	3	2	–	$sfr.bit \leftarrow 0$			
		[HL].bit	2	2	–	$(HL).bit \leftarrow 0$			
	ES:[HL].bit	3	3	–	$(ES, HL).bit \leftarrow 0$				
	SET1	CY	2	1	–	$CY \leftarrow 1$			1
	CLR1	CY	2	1	–	$CY \leftarrow 0$			0
	NOT1	CY	2	1	–	$CY \leftarrow \overline{CY}$			x

Notes 1. Number of CPU clocks (f_{CLK}) when the internal RAM area, SFR area, or extended SFR area is accessed, or when no data is accessed

2. Number of CPU clocks (f_{CLK}) when the code flash memory is accessed.

Remark These numbers of clock cycles apply when the program is in the internal ROM (flash memory) area. When the instruction is fetched from the internal RAM area, the number is, at most, the quadruple of the number given here plus 6 further clock cycles.

Table 22-5. Operation List (15/17)

Instruction Group	Mnemonic	Operands	Bytes	Clocks		Clocks	Flag		
				Note 1	Note 2		Z	AC	CY
Call/ return	CALL	rp	2	4	-	(SP - 2) ← (PC+2) _s , (SP - 3) ← (PC+2) _H , (SP - 4) ← (PC+2) _L , PC ← CS, rp, SP ← SP - 4			
		\$!addr20	3	4	-	(SP - 2) ← (PC+3) _s , (SP - 3) ← (PC+3) _H , (SP - 4) ← (PC+3) _L , PC ← PC+3+jdisp16, SP ← SP - 4			
		!addr16	3	4	-	(SP - 2) ← (PC+3) _s , (SP - 3) ← (PC+3) _H , (SP - 4) ← (PC+3) _L , PC ← 0000, addr16, SP ← SP - 4			
		!!addr20	4	4	-	(SP - 2) ← (PC+4) _s , (SP - 3) ← (PC+4) _H , (SP - 4) ← (PC+4) _L , PC ← addr20, SP ← SP - 4			
	CALLT	[addr5]	2	6	-	(SP - 2) ← (PC+2) _s , (SP - 3) ← (PC+2) _H , (SP - 4) ← (PC+2) _L , PC _s ← 0000, PC _H ← (0000, addr5+1), PC _L ← (0000, addr5), SP ← SP - 4			
	BRK	-	2	7	-	(SP - 1) ← PSW, (SP - 2) ← (PC+2) _s , (SP - 3) ← (PC+2) _H , (SP - 4) ← (PC+2) _L , PC _s ← 0000, PC _H ← (0007FH), PC _L ← (0007EH), SP ← SP - 4, IE ← 0			
	RET	-	1	7	-	PC _L ← (SP), PC _H ← (SP+1), PC _s ← (SP+2), SP ← SP+4			
RETI	-	2	8	-	PC _L ← (SP), PC _H ← (SP+1), PC _s ← (SP+2), PSW ← (SP+3), SP ← SP+4	R	R	R	
RETB	-	2	8	-	PC _L ← (SP), PC _H ← (SP+1), PC _s ← (SP+2), PSW ← (SP+3), SP ← SP+4	R	R	R	

Notes 1. Number of CPU clocks (f_{CLK}) when the internal RAM area, SFR area, or extended SFR area is accessed, or when no data is accessed.

2. Number of CPU clocks (f_{CLK}) when the code flash memory is accessed.

Remark These numbers of clock cycles apply when the program is in the internal ROM (flash memory) area. When the instruction is fetched from the internal RAM area, the number is, at most, the quadruple of the number given here plus 6 further clock cycles.

Table 22-5. Operation List (16/17)

Instruction Group	Mnemonic	Operands	Bytes	Clocks		Clocks	Flag		
				Note 1	Note 2		Z	AC	CY
Stack manipulate	PUSH	PSW	2	2	–	(SP – 1) ← PSW, (SP – 2) ← 00H, SP ← SP – 2			
		rp	1	2	–	(SP – 1) ← rp _H , (SP – 2) ← rp _L , SP ← SP – 2			
	POP	PSW	2	4	–	PSW ← (SP+1), SP ← SP + 2	R	R	R
		rp	1	2	–	rp _L ← (SP), rp _H ← (SP+1), SP ← SP + 2			
	MOVW	SP, #word	4	2	–	SP ← word			
		SP, AX	2	2	–	SP ← AX			
		AX, SP	2	2	–	AX ← SP			
		HL, SP	3	2	–	HL ← SP			
		BC, SP	3	2	–	BC ← SP			
		DE, SP	3	2	–	DE ← SP			
ADDW	SP, #byte	2	2	–	SP ← SP + byte				
SUBW	SP, #byte	2	2	–	SP ← SP – byte				
Unconditional branch	BR	AX	2	3	–	PC ← CS, AX			
		\$addr20	2	3	–	PC ← PC + 2 + jdisp8			
		!addr20	3	3	–	PC ← PC + 3 + jdisp16			
		!addr16	3	3	–	PC ← 0000, addr16			
		!!addr20	4	3	–	PC ← addr20			
Conditional branch	BC	\$addr20	2	2/4 Note3	–	PC ← PC + 2 + jdisp8 if CY = 1			
	BNC	\$addr20	2	2/4 Note3	–	PC ← PC + 2 + jdisp8 if CY = 0			
	BZ	\$addr20	2	2/4 Note3	–	PC ← PC + 2 + jdisp8 if Z = 1			
	BNZ	\$addr20	2	2/4 Note3	–	PC ← PC + 2 + jdisp8 if Z = 0			
	BH	\$addr20	3	2/4 Note3	–	PC ← PC + 3 + jdisp8 if (Zv CY)=0			
	BNH	\$addr20	3	2/4 Note3	–	PC ← PC + 3 + jdisp8 if (Zv CY)=1			
	BT	saddr.bit, \$addr20	4	3/5 Note3	–	PC ← PC + 4 + jdisp8 if (saddr).bit = 1			
		sfr.bit, \$addr20	4	3/5 Note3	–	PC ← PC + 4 + jdisp8 if sfr.bit = 1			
		A.bit, \$addr20	3	3/5 Note3	–	PC ← PC + 3 + jdisp8 if A.bit = 1			
		PSW.bit, \$addr20	4	3/5 Note3	–	PC ← PC + 4 + jdisp8 if PSW.bit = 1			
[HL].bit, \$addr20		3	3/5 Note3	6/7	PC ← PC + 3 + jdisp8 if (HL).bit = 1				
ES:[HL].bit, \$addr20	4	4/6 Note3	7/8	PC ← PC + 4 + jdisp8 if (ES, HL).bit = 1					

- Notes 1.** Number of CPU clocks (f_{CLK}) when the internal RAM area, SFR area, or extended SFR area is accessed, or when no data is accessed.
- 2.** Number of CPU clocks (f_{CLK}) when the code flash memory is accessed.
- 3.** This indicates the number of clocks “when condition is not met/when condition is met”.

Remark These numbers of clock cycles apply when the program is in the internal ROM (flash memory) area. When the instruction is fetched from the internal RAM area, the number is, at most, the quadruple of the number given here plus 6 further clock cycles.

Table 22-5. Operation List (17/17)

Instruction Group	Mnemonic	Operands	Bytes	Clocks		Clocks	Flag		
				Note 1	Note 2		Z	AC	CY
Conditional branch	BF	saddr.bit, \$addr20	4	3/5 ^{Note3}	–	PC ← PC + 4 + jdisp8 if (saddr).bit = 0			
		sfr.bit, \$addr20	4	3/5 ^{Note3}	–	PC ← PC + 4 + jdisp8 if sfr.bit = 0			
		A.bit, \$addr20	3	3/5 ^{Note3}	–	PC ← PC + 3 + jdisp8 if A.bit = 0			
		PSW.bit, \$addr20	4	3/5 ^{Note3}	–	PC ← PC + 4 + jdisp8 if PSW.bit = 0			
		[HL].bit, \$addr20	3	3/5 ^{Note3}	6/7	PC ← PC + 3 + jdisp8 if (HL).bit = 0			
		ES:[HL].bit, \$addr20	4	4/6 ^{Note3}	7/8	PC ← PC + 4 + jdisp8 if (ES, HL).bit = 0			
	BTCLR	saddr.bit, \$addr20	4	3/5 ^{Note3}	–	PC ← PC + 4 + jdisp8 if (saddr).bit = 1 then reset (saddr).bit			
		sfr.bit, \$addr20	4	3/5 ^{Note3}	–	PC ← PC + 4 + jdisp8 if sfr.bit = 1 then reset sfr.bit			
		A.bit, \$addr20	3	3/5 ^{Note3}	–	PC ← PC + 3 + jdisp8 if A.bit = 1 then reset A.bit			
		PSW.bit, \$addr20	4	3/5 ^{Note3}	–	PC ← PC + 4 + jdisp8 if PSW.bit = 1 then reset PSW.bit	x	x	x
		[HL].bit, \$addr20	3	3/5 ^{Note3}	–	PC ← PC + 3 + jdisp8 if (HL).bit = 1 then reset (HL).bit			
		ES:[HL].bit, \$addr20	4	4/6 ^{Note3}	–	PC ← PC + 4 + jdisp8 if (ES, HL).bit = 1 then reset (ES, HL).bit			
Conditional skip	SKC	–	2	1	–	Next instruction skip if CY = 1			
	SKNC	–	2	1	–	Next instruction skip if CY = 0			
	SKZ	–	2	1	–	Next instruction skip if Z = 1			
	SKNZ	–	2	1	–	Next instruction skip if Z = 0			
	SKH	–	2	1	–	Next instruction skip if (Zv CY)=0			
	SKNH	–	2	1	–	Next instruction skip if (Zv CY)=1			
CPU control	NOP	–	1	1	–	No Operation			
	EI	–	3	4	–	IE ← 1 (Enable Interrupt)			
	DI	–	3	4	–	IE ← 0 (Disable Interrupt)			
	HALT	–	2	3	–	Set HALT Mode			
	STOP	–	2	3	–	Set STOP Mode			

- Notes 1.** Number of CPU clocks (f_{CLK}) when the internal RAM area, SFR area, or extended SFR area is accessed, or when no data is accessed.
- 2.** Number of CPU clocks (f_{CLK}) when the code flash memory is accessed.
- 3.** This indicates the number of clocks “when condition is not met/when condition is met”.

Remark These numbers of clock cycles apply when the program is in the internal ROM (flash memory) area. When the instruction is fetched from the internal RAM area, the number is, at most, the quadruple of the number given here plus 6 further clock cycles.

CHAPTER 23 ELECTRICAL SPECIFICATIONS

- Cautions**
- 1. The RL78 microcontrollers have an on-chip debug function, which is provided for development and evaluation. Do not use the on-chip debug function in products designated for mass production, because the guaranteed number of rewritable times of the flash memory may be exceeded when this function is used, and product reliability therefore cannot be guaranteed. Renesas Electronics is not liable for problems occurring when the on-chip debug function is used.**
 - 2. The pins mounted depend on the product. See 2.1 Port Functions and 2.2 Functions Other than Port Pins.**
 - 3. Use this product within the voltage range from 2.68 to 5.5 V because the detection voltage (V_{SPOR}) of the selectable power-on-reset (SPOR) circuit should also be considered.**

23.1 Absolute Maximum Ratings

(T_A = 25°C)

Parameter	Symbols	Conditions		Ratings	Unit	
Supply voltage ^{Note 1}	V _{DD}			-0.5 to +6.5	V	
Input voltage ^{Note 1}	V _{I1}			-0.3 to V _{DD} + 0.3 ^{Note 2}	V	
Output voltage ^{Note 1}	V _{O1}			-0.3 to V _{DD} + 0.3	V	
Output current, high	I _{OH1}	Per pin	P00 to P05	R7F0C806, R7F0C807	-40	mA
				R7F0C808, R7F0C809	-130	mA
			P06, P07, P10 to P16, P40		-40	mA
		Total of all pins	P00 to P05	R7F0C806, R7F0C807	-70	mA
				R7F0C808, R7F0C809	-160	mA
			P06, P07, P10 to P16, P40		R7F0C806, R7F0C807	-100
		R7F0C808, R7F0C809	-100	mA		
Output current, low	I _{OL1}	Per pin		40	mA	
		Total of all pins	P00 to P05	R7F0C806, R7F0C807	70	mA
				R7F0C808, R7F0C809	90	mA
			P06, P07, P10 to P16, P40		R7F0C806, R7F0C807	100
				R7F0C808, R7F0C809	170	mA
Operating ambient temperature	T _A			-40 to +85	°C	
Storage temperature	T _{stg}			-65 to +150	°C	

- Notes**
1. V_{SS} is used as the reference potential.
 2. Must be 6.5 V or lower.

Caution Product quality may suffer if the absolute maximum rating is exceeded even momentarily for any parameter. That is, the absolute maximum ratings are rated values at which the product is on the verge of suffering physical damage, and therefore the product must be used under conditions that ensure that the absolute maximum ratings are not exceeded.

- Remarks**
1. Unless specified otherwise, the characteristics of alternate-function pins are the same as those of the port pins.
 2. The reference voltage is V_{SS}.

23.2 Oscillator Characteristics

23.2.1 On-chip oscillator characteristics

($T_A = -40$ to $+85^\circ\text{C}$, $2.4\text{ V} \leq V_{DD} \leq 5.5\text{ V}$, $V_{SS} = 0\text{ V}$)

Oscillators	Parameters	Conditions	MIN.	TYP.	MAX.	Unit
High-speed on-chip oscillator oscillation frequency ^{Notes 1, 2}	f_{iH}		1.25		20	MHz
High-speed on-chip oscillator oscillation frequency accuracy		$T_A = -40$ to $+85^\circ\text{C}$	-3		+3	%
		$T_A = 0$ to $+40^\circ\text{C}$	-2		+2	%
Low-speed on-chip oscillator oscillation frequency ^{Note 3}	f_{iL}			15		kHz

- Notes**
1. High-speed on-chip oscillator frequency is selected by bits 0 to 2 of option byte (000C2H).
 2. This only indicates the oscillator characteristics. See **AC Characteristics** for instruction execution time.
 3. This only indicates the oscillator characteristics.

23.3 DC Characteristics

23.3.1 Pin characteristics of R7F0C806 and R7F0C807

($T_A = -40$ to $+85^\circ\text{C}$, $2.4\text{ V} \leq V_{DD} \leq 5.5\text{ V}$, $V_{SS} = 0\text{ V}$)

Parameter	Symbol	Conditions	MIN.	TYP.	MAX.	Unit
Output current, high ^{Note 1}	I _{OH1}	Per pin for P00 to P07, P10 to P16, P40			-10 ^{Note 2}	mA
		Total of P00 to P05 (When duty $\leq 70\%$) ^{Note3}	$4.0\text{ V} \leq V_{DD} \leq 5.5\text{ V}$		-50	mA
			$2.7\text{ V} \leq V_{DD} < 4.0\text{ V}$		-10	mA
			$2.4\text{ V} \leq V_{DD} < 2.7\text{ V}$		-7.5	mA
		Total of P06, P07, P10 to P16, P40 (When duty $\leq 70\%$) ^{Note3}	$4.0\text{ V} \leq V_{DD} \leq 5.5\text{ V}$		-80	mA
			$2.7\text{ V} \leq V_{DD} < 4.0\text{ V}$		-16	mA
			$2.4\text{ V} \leq V_{DD} < 2.7\text{ V}$		-12	mA
Total of all pins (When duty $\leq 70\%$) ^{Note3}				-130	mA	
Output current, low	I _{OL1}	Per pin for P00 to P07, P10 to P16, P40			20 ^{Note 2}	mA
		Total of P00 to P05 (When duty $\leq 70\%$) ^{Note4}	$4.0\text{ V} \leq V_{DD} \leq 5.5\text{ V}$		60	mA
			$2.7\text{ V} \leq V_{DD} < 4.0\text{ V}$		9	mA
			$2.4\text{ V} \leq V_{DD} < 2.7\text{ V}$		1.8	mA
		Total of P06, P07, P10 to P16, P40 (When duty $\leq 70\%$) ^{Note4}	$4.0\text{ V} \leq V_{DD} \leq 5.5\text{ V}$		100	mA
			$2.7\text{ V} \leq V_{DD} < 4.0\text{ V}$		15	mA
			$2.4\text{ V} \leq V_{DD} < 2.7\text{ V}$		3	mA
Total of all pins (When duty $\leq 70\%$) ^{Note4}				160	mA	

Notes 1. Value of current at which the device operation is guaranteed even if the current flows from the V_{DD} pin to an output pin.

2. Do not exceed the total current value.

3. Specification under conditions where the duty factor $\leq 70\%$.

The output current value that has changed to the duty factor $> 70\%$ the duty ratio can be calculated with the following expression (when changing the duty factor from 70% to n%).

- Total output current of pins = $(I_{OH} \times 0.7)/(n \times 0.01)$

<Example> Where $n = 80\%$ and $I_{OH} = -10.0\text{ mA}$

$$\text{Total output current of pins} = (-10.0 \times 0.7)/(80 \times 0.01) \approx -8.7\text{ mA}$$

However, the current that is allowed to flow into one pin does not vary depending on the duty factor. A current higher than the absolute maximum rating must not flow into one pin.

4. Specification under conditions where the duty factor $\leq 70\%$.

The output current value that has changed to the duty factor $> 70\%$ the duty ratio can be calculated with the following expression (when changing the duty factor from 70% to n%).

- Total output current of pins = $(I_{OL} \times 0.7)/(n \times 0.01)$

<Example> Where $n = 80\%$ and $I_{OL} = 10.0\text{ mA}$

$$\text{Total output current of pins} = (10.0 \times 0.7)/(80 \times 0.01) \approx 8.7\text{ mA}$$

However, the current that is allowed to flow into one pin does not vary depending on the duty factor. A current higher than the absolute maximum rating must not flow into one pin.

Caution P06 and P10 do not output high level in N-ch open-drain mode.

Remark Unless specified otherwise, the characteristics of alternate-function pins are the same as those of the port.

23.3.2 Pin characteristics of R7F0C808 and R7F0C809

(T_A = -40 to +85°C, 4.5 V ≤ V_{DD} ≤ 5.5 V, V_{SS} = 0 V)

Parameter	Symbol	Conditions		MIN.	TYP.	MAX.	Unit
Output current, high ^{Note 1}	I _{OH1}	Total of all pins (When duty ≤ 70%) <small>Note3</small>	4.5 V ≤ V _{DD} ≤ 5.5 V			-160	mA
		Total of P00 to P05 (When duty ≤ 70%) ^{Note3}	4.5 V ≤ V _{DD} ≤ 5.5 V			-140	mA
		Total of P06, P07, P10 to P16, P40 (When duty ≤ 70%) ^{Note3}	4.5 V ≤ V _{DD} ≤ 5.5 V			-80	mA
		Per pin (COM) for P00 to P05 ^{Note5}	4.5 V ≤ V _{DD} ≤ 5.5 V			-120 ^{Note 2}	mA
		Per pin (SEG, other) for P06, P07, P10 to P16, P40	4.5 V ≤ V _{DD} ≤ 5.5 V			-10 ^{Note 2}	mA
Output current, low	I _{OL1}	Total of all pins (When duty ≤ 70%) <small>Note4</small>	4.5 V ≤ V _{DD} ≤ 5.5 V			160	mA
		Total of P00 to P05 (When duty ≤ 70%) ^{Note4}	4.5 V ≤ V _{DD} ≤ 5.5 V			80	mA
		Total of P06, P07, P10 to P16, P40 (When duty ≤ 70%) ^{Note4}	4.5 V ≤ V _{DD} ≤ 5.5 V			150	mA
		Per pin (COM) for P00 to P05	4.5 V ≤ V _{DD} ≤ 5.5 V			15	mA
		Per pin (SEG, other) for P06, P07, P10 to P16, P40	4.5 V ≤ V _{DD} ≤ 5.5 V			20 ^{Note 2}	mA

Notes 1. Value of current at which the device operation is guaranteed even if the current flows from the V_{DD} pin to an output pin.

2. Do not exceed the total current value.

3. Specification under conditions where the duty factor ≤ 70%.

The output current value that has changed to the duty factor > 70% the duty ratio can be calculated with the following expression (when changing the duty factor from 70% to n%).

- Total output current of pins = (I_{OH} × 0.7)/(n × 0.01)

<Example> Where n = 80% and I_{OH} = -10.0 mA

$$\text{Total output current of pins} = (-10.0 \times 0.7)/(80 \times 0.01) \approx -8.7 \text{ mA}$$

However, the current that is allowed to flow into one pin does not vary depending on the duty factor. A current higher than the absolute maximum rating must not flow into one pin.

4. Specification under conditions where the duty factor ≤ 70%.

The output current value that has changed to the duty factor > 70% the duty ratio can be calculated with the following expression (when changing the duty factor from 70% to n%).

- Total output current of pins = (I_{OL} × 0.7)/(n × 0.01)

<Example> Where n = 80% and I_{OL} = 10.0 mA

$$\text{Total output current of pins} = (10.0 \times 0.7)/(80 \times 0.01) \approx 8.7 \text{ mA}$$

However, the current that is allowed to flow into one pin does not vary depending on the duty factor. A current higher than the absolute maximum rating must not flow into one pin.

Notes 5. Specification under conditions where $(t1/t2 \times 100\%) \leq 45\%$.

The output current when the condition changes to a value in the range of $(t1/t2 \times 100\%) > 45\%$ can be calculated from the following expression (after replacing $(t1/t2 \times 100\%)$ with $n\%$).

- Total output current of pins = $(I_{OH} \times 0.45) / (n \times 0.01)$

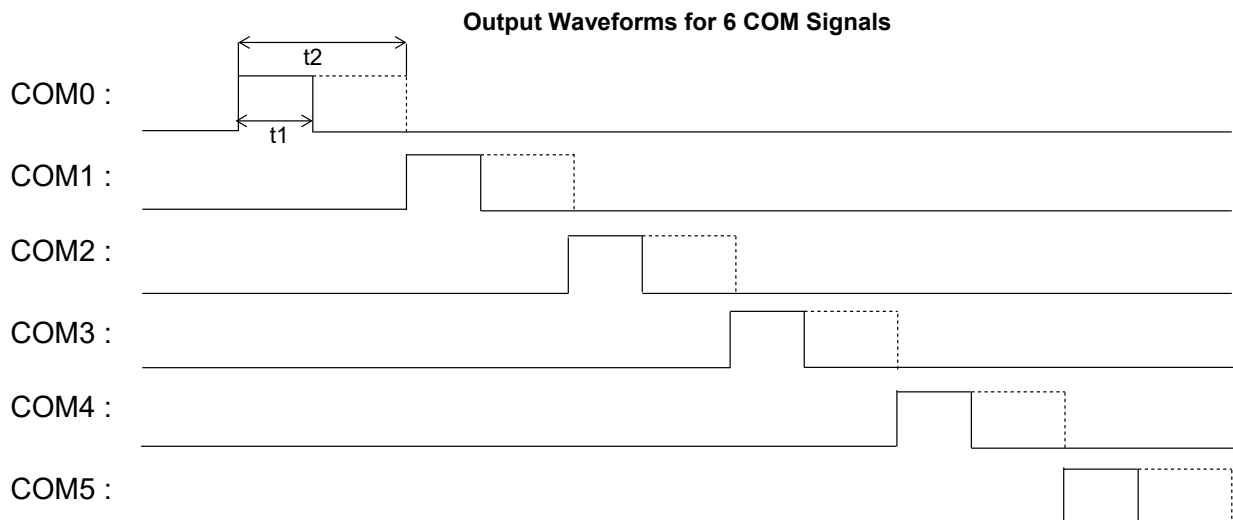
<Example> Where $n = 60\%$ and $I_{OH} = -120.0 \text{ mA}$

$$\text{Total output current of pins} = (-120.0 \times 0.45) / (60 \times 0.01) = 90 \text{ mA}$$

However, the current does not depend on the number of COM signals.

The waveforms for 6 COM signals are shown below.

A current higher than the absolute maximum rating must not flow into one pin.



Caution P06, P07, P10 to P15 do not output high level in N-ch open-drain mode.

Set P-ch open drain of P00 to P05 to off state (high impedance) during A/D conversion (R7F0C808, R7F0C809).

Remark Unless specified otherwise, the characteristics of alternate-function pins are the same as those of the port.

23.3.3 Common items

(T_A = -40 to +85°C, 2.4 V ≤ V_{DD} ≤ 5.5 V, V_{SS} = 0 V)

Parameter	Symbol	Conditions		MIN.	TYP.	MAX.	Unit	
Input voltage, high	V _{IH1}			0.8 V _{DD}		V _{DD}	V	
Input voltage, low	V _{IL1}			0		0.2 V _{DD}	V	
Output voltage, high ^{Note 1}	V _{OH1}	P00 to P05	I _{OH} = -10 mA	4.0 V ≤ V _{DD} ≤ 5.5 V	V _{DD} - 1.5		V _{DD}	V
			I _{OH} = -3 mA	4.0 V ≤ V _{DD} ≤ 5.5 V	V _{DD} - 0.7		V _{DD}	V
			I _{OH} = -2 mA	2.7 V ≤ V _{DD} ≤ 5.5 V	V _{DD} - 0.6		V _{DD}	V
			I _{OH} = -1.5 mA	2.4 V ≤ V _{DD} ≤ 5.5 V	V _{DD} - 0.5		V _{DD}	V
			I _{OH} = -120 mA ^{Note 3}	4.5 V ≤ V _{DD} ≤ 5.5 V	V _{DD} - 1.0		V _{DD}	V
	V _{OH2}	P06, P07, P10 to P16, P40	I _{OH} = -10 mA	4.0 V ≤ V _{DD} ≤ 5.5 V	V _{DD} - 1.5		V _{DD}	V
			I _{OH} = -3 mA	4.0 V ≤ V _{DD} ≤ 5.5 V	V _{DD} - 0.7		V _{DD}	V
			I _{OH} = -2 mA	2.7 V ≤ V _{DD} ≤ 5.5 V	V _{DD} - 0.6		V _{DD}	V
			I _{OH} = -1.5 mA	2.4 V ≤ V _{DD} ≤ 5.5 V	V _{DD} - 0.5		V _{DD}	V
	Output voltage, low ^{Note 2}	V _{OL1}	P00 to P05, P16, P40	I _{OL} = 20 mA	4.0 V ≤ V _{DD} ≤ 5.5 V	0		1.5
I _{OL} = 1.5 mA				2.7 V ≤ V _{DD} ≤ 5.5 V	0		0.4	V
I _{OL} = 0.6 mA				2.4 V ≤ V _{DD} ≤ 5.5 V	0		0.4	V
V _{OL2}		P06, P07, P10 to P15	I _{OL} = 20 mA	4.0 V ≤ V _{DD} ≤ 5.5 V	0		1.5	V
			I _{OL} = 1.5 mA	2.7 V ≤ V _{DD} ≤ 5.5 V	0		0.4	V
			I _{OL} = 0.6 mA	2.4 V ≤ V _{DD} ≤ 5.5 V	0		0.4	V
			I _{OL} = 15 mA ^{Note 4}	4.5 V ≤ V _{DD} ≤ 5.5 V	0		0.6	V
Input leakage current, high		I _{LIH1}	P00 to P07, P10 to P16, P40, P41, P125, P137 V _I = V _{DD}				1	μA
Input leakage current, low	I _{LIL1}	P00 to P07, P10 to P16, P40, P41, P125, P137 V _I = V _{SS}				-1	μA	
On-chip pull-up resistance	R _U	V _I = V _{SS}		10	20	100	kΩ	
On-chip pull-down resistance ^{Note 5}	R _O	V _I = V _{DD}		100	200		kΩ	

- Notes**
1. The value under the condition which satisfies the high-level output current (I_{OH1}).
 2. The value under the condition which satisfies the low-level output current (I_{OL1}).
 3. P-ch open-drain (R7F0C808 and R7F0C809 only)
 4. N-ch open-drain
 5. R7F0C808 and R7F0C809 only.

Caution The maximum value of V_{IH} is V_{DD} even in N-ch open-drain mode.
Do not output high level in N-ch open-drain mode.

Remark Unless specified otherwise, the characteristics of alternate-function pins are the same as those of the port.

23.3.4 Supply current characteristics

(T_A = -40 to +85°C, 2.4 V ≤ V_{DD} ≤ 5.5 V, V_{SS} = 0 V)

Parameter	Symbol	Conditions			MIN.	TYP.	MAX.	Unit	
Supply current ^{Note 1}	I _{DD1}	Operating mode	Basic operation	f _{IH} = 20 MHz V _{DD} = 3.0 V, 5.0 V		1.05		mA	
			Normal operation	f _{IH} = 20 MHz V _{DD} = 3.0 V, 5.0 V		2.19			
					f _{IH} = 5 MHz V _{DD} = 3.0 V, 5.0 V		1.13		
	I _{DD2} ^{Note 2}	HALT mode			f _{IH} = 20 MHz V _{DD} = 3.0 V, 5.0 V		390		μA
					f _{IH} = 5 MHz V _{DD} = 3.0 V, 5.0 V		300		
	I _{DD3} ^{Note 3}	STOP mode ^{Note 4}		V _{DD} = 3.0 V		0.61 ^{Note 5}		μA	
12-bit interval timer operating current	I _{TMKA} ^{Notes 6, 7}					0.31		μA	
Watchdog timer operating current	I _{WDT} ^{Notes 6, 7}					0.31		μA	
A/D converter operating current	I _{ADC} ^{Note 6}	When conversion at maximum speed		V _{DD} = 5.0 V		1.30	1.90	mA	
				V _{DD} = 3.0 V		0.50		mA	

- Notes**
1. Total current flowing into V_{DD}, including the input leakage current flowing when the level of the input pin is fixed to V_{DD} or V_{SS}. The values below the MAX. column include the peripheral operation current. However, not including the current flowing into the A/D converter, I/O port, and on-chip pull-up/pull-down resistors.
 2. During HALT instruction execution by flash memory.
 3. When watchdog timer and A/D converter are stopped. The values below the MAX. column include the leakage current.
 4. Condition applies at any temperature.
 5. Value at V_{DD} = 3 V, T_A = 25°C.
 6. Current flowing into V_{DD}.
 7. Excluding the operating current of the low-speed on-chip oscillator (f_{IL}).

- Remarks**
1. f_{IL}: Low-speed on-chip oscillator clock frequency
 2. Temperature condition of the typical value is T_A = 25°C

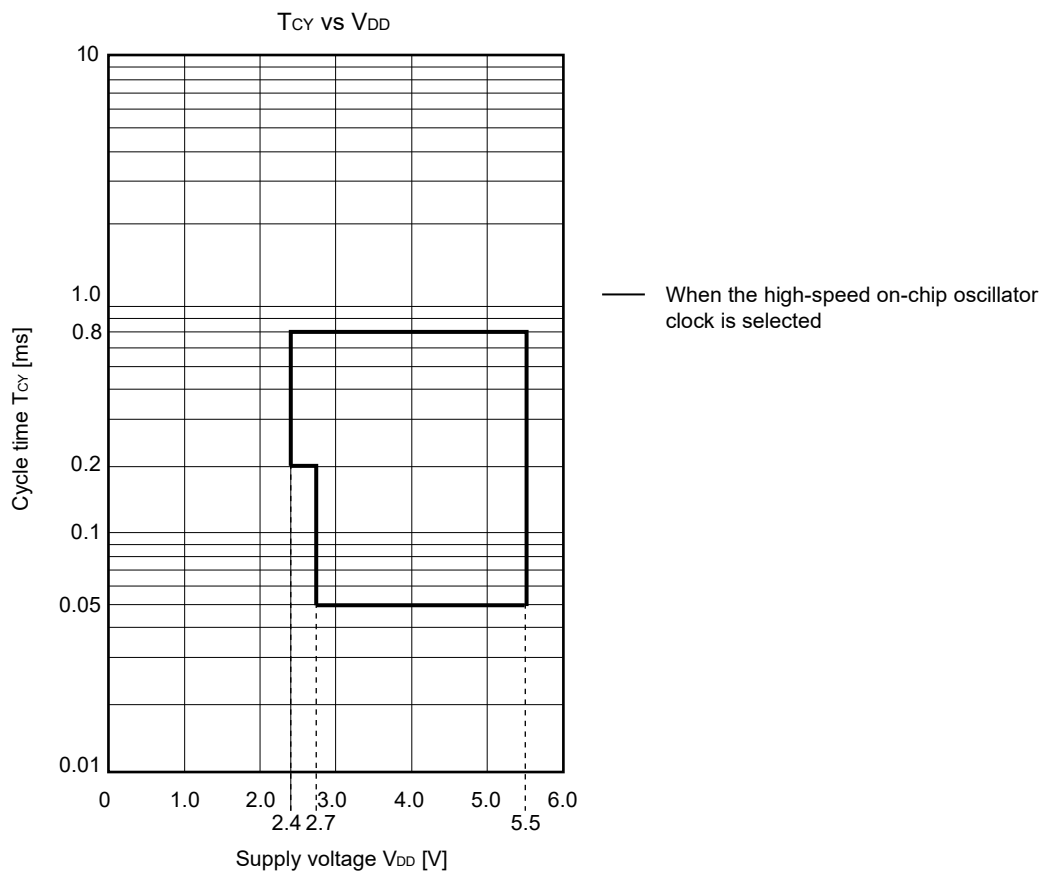
23.4 AC Characteristics

($T_A = -40$ to $+85^\circ\text{C}$, $2.4\text{ V} \leq V_{DD} \leq 5.5\text{ V}$, $V_{SS} = 0\text{ V}$)

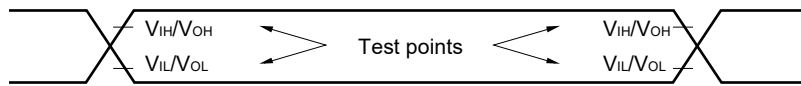
Items	Symbol	Conditions	MIN.	TYP.	MAX.	Unit	
Instruction cycle (minimum instruction execution time)	T_{CY}	Main system clock (f_{MAIN}) operation	$2.7\text{ V} \leq V_{DD} \leq 5.5\text{ V}$	0.05		0.8	μs
			$2.4\text{ V} \leq V_{DD} \leq 5.5\text{ V}$	0.2		0.8	μs
TI00 to TI03 input high-level width, low-level width	t_{TIH} , t_{TIL}	Noise filter is not used	$1/f_{MCK}+10$			ns	
TO00 to TO03 output frequency	f_{TO}	$4.0\text{ V} \leq V_{DD} \leq 5.5\text{ V}$			10	MHz	
		$2.7\text{ V} \leq V_{DD} < 4.0\text{ V}$			5	MHz	
		$2.4\text{ V} \leq V_{DD} < 2.7\text{ V}$			2.5	MHz	
PCLBUZ0 output frequency	f_{PCL}	$4.0\text{ V} \leq V_{DD} \leq 5.5\text{ V}$			10	MHz	
		$2.7\text{ V} \leq V_{DD} < 4.0\text{ V}$			5	MHz	
		$2.4\text{ V} \leq V_{DD} < 2.7\text{ V}$			2.5	MHz	
RESET low-level width	t_{RSL}		10			μs	

Remark f_{MCK} : Timer array unit operation clock frequency
 (Operation clock to be set by the timer clock select register 0 (TPS0) and the CKS0n1 bit of timer mode register 0nH (TMR0nH). n: Channel number (n = 0 to 3))

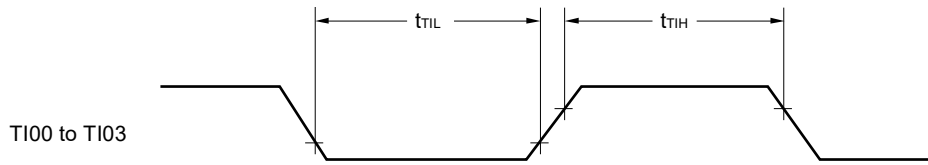
Minimum Instruction Execution Time during Main System Clock Operation



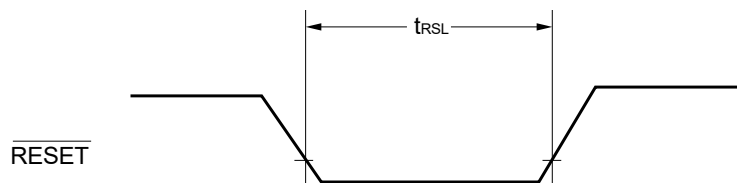
AC Timing Test Points



TI/TO Timing

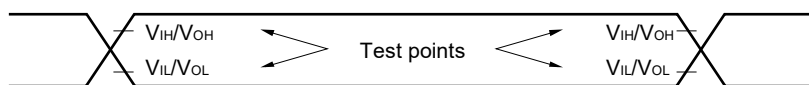


$\overline{\text{RESET}}$ Input Timing



23.5 Serial Interface Characteristics

AC Timing Test Points



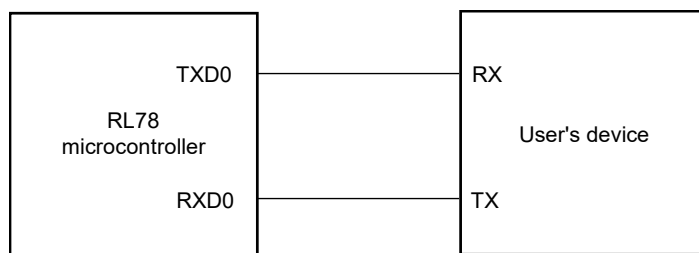
23.5.1 Serial array unit

(1) UART mode (dedicated baud rate generator output)

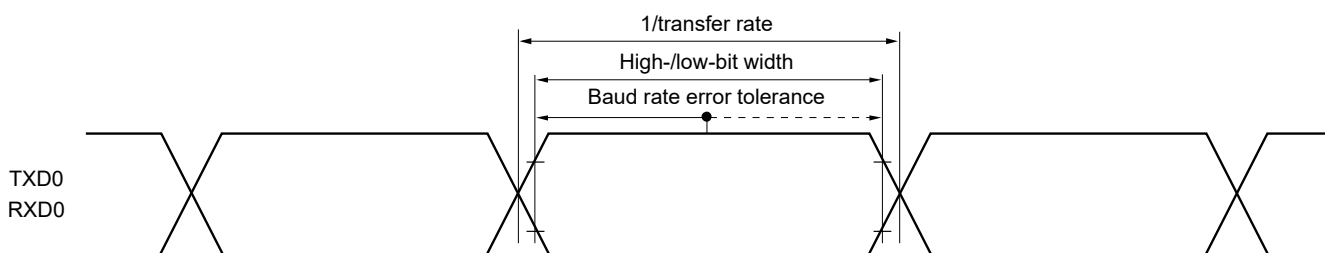
($T_A = -40$ to $+85^\circ\text{C}$, $2.4\text{ V} \leq V_{DD} \leq 5.5\text{ V}$, $V_{SS} = 0\text{ V}$)

Parameter	Symbol	Conditions	MIN.	TYP.	MAX.	Unit
Transfer rate					$f_{MCK}/6$	bps
		Theoretical value of the maximum transfer rate $f_{CLK} = f_{MCK} = 20\text{ MHz}$			3.3	Mbps

UART mode connection diagram



UART mode bit width (reference)



Remark f_{MCK} : Serial array unit operation clock frequency
 (Operation clock to be set by the serial clock select register 0 (SPS0) and the CKS0n bit of the serial mode register 0nH (SMR0nH). n: Channel number (n = 0, 1))

(2) CSI mode (master mode, SCKp...internal clock output)

(T_A = -40 to +85°C, 2.4 V ≤ V_{DD} ≤ 5.5 V, V_{SS} = 0 V)

Parameter	Symbol	Conditions	MIN.	TYP.	MAX.	Unit
SCKp cycle time	t _{KCY1}	t _{KCY1} ≥ 4/f _{CLK}	2.7 V ≤ V _{DD} ≤ 5.5 V	200		ns
			2.4 V ≤ V _{DD} ≤ 5.5 V	800		ns
SCKp high-/low-level width	t _{KH1} , t _{KL1}	2.7 V ≤ V _{DD} ≤ 5.5 V		t _{KCY1} /2 - 18		ns
		2.4 V ≤ V _{DD} ≤ 5.5 V		t _{KCY1} /2 - 50		ns
Slp setup time (to SCKp↑) ^{Note 1}	t _{SIK1}	2.7 V ≤ V _{DD} ≤ 5.5 V		47		ns
		2.4 V ≤ V _{DD} ≤ 5.5 V		110		ns
Slp hold time (from SCKp↑) ^{Note 1}	t _{KSI1}			19		ns
Delay time from SCKp↓ to SOp output ^{Note 2}	t _{KSO1}	C = 30 pF ^{Note 3}			25	ns

- Notes**
1. When DAP0n = 0 and CKP0n = 0, or DAP0n = 1 and CKP0n = 1. The Slp setup time becomes “to SCKp↓” and Slp hold time becomes “from SCKp↓” when DAP0n = 0 and CKP0n = 1, or DAP0n = 1 and CKP0n = 0.
 2. When DAP0n = 0 and CKP0n = 0, or DAP0n = 1 and CKP0n = 1. The delay time to SOp output becomes “from SCKp↑” when DAP0n = 0 and CKP0n = 1, or DAP0n = 1 and CKP0n = 0.
 3. C is the load capacitance of the SCKp and SOp output lines.

Remark p: CSI number (p = 00), n: Channel number (n = 0)

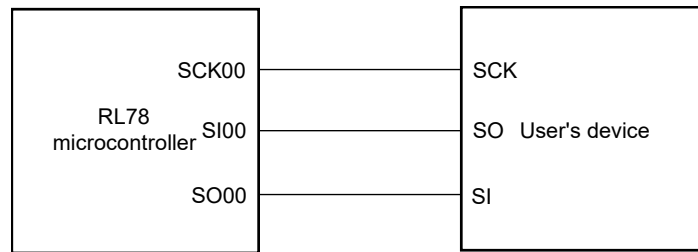
(3) CSI mode (slave mode, SCKp...external clock input)**(T_A = -40 to +85°C, 2.4 V ≤ V_{DD} ≤ 5.5 V, V_{SS} = 0 V)**

Parameter	Symbol	Conditions		MIN.	TYP.	MAX.	Unit
SCKp cycle time	t _{KCY2}	2.7 V ≤ V _{DD} ≤ 5.5 V	f _{MCK} > 16 MHz	8/f _{MCK}			ns
			f _{MCK} ≤ 16 MHz	6/f _{MCK}			ns
		2.4 V ≤ V _{DD} < 5.5 V		6/f _{MCK}			ns
SCKp high-/low-level width	t _{KH2} , t _{KL2}	2.4 V ≤ V _{DD} ≤ 5.5 V		t _{KCY2} /2			ns
Slp setup time (to SCKp↑) ^{Note 1}	t _{SIK2}	2.7 V ≤ V _{DD} ≤ 5.5 V		1/f _{MCK} +20			ns
		2.4 V ≤ V _{DD} < 5.5 V		1/f _{MCK} +30			ns
Slp hold time (from SCKp↑) ^{Note 1}	t _{KSI2}	2.4 V ≤ V _{DD} ≤ 5.5 V		1/f _{MCK} +31			ns
Delay time from SCKp↓ to SO _p output ^{Note 2}	t _{KSO2}	C = 30 pF ^{Note 3}	2.7 V ≤ V _{DD} ≤ 5.5 V			2/f _{MCK} +50	ns
			2.4 V ≤ V _{DD} < 5.5 V			2/f _{MCK} +110	ns

- Notes**
1. When DAP0n = 0 and CKP0n = 0, or DAP0n = 1 and CKP0n = 1. The Slp setup time becomes “to SCKp↓” and the Slp hold time becomes “from SCKp↓” when DAP0n = 0 and CKP0n = 1, or DAP0n = 1 and CKP0n = 0.
 2. When DAP0n = 0 and CKP0n = 0, or DAP0n = 1 and CKP0n = 1. The delay time to SO_p output becomes “from SCKp↑” when DAP0n = 0 and CKP0n = 1, or DAP0n = 1 and CKP0n = 0.
 3. C is the load capacitance of the SO_p output lines.

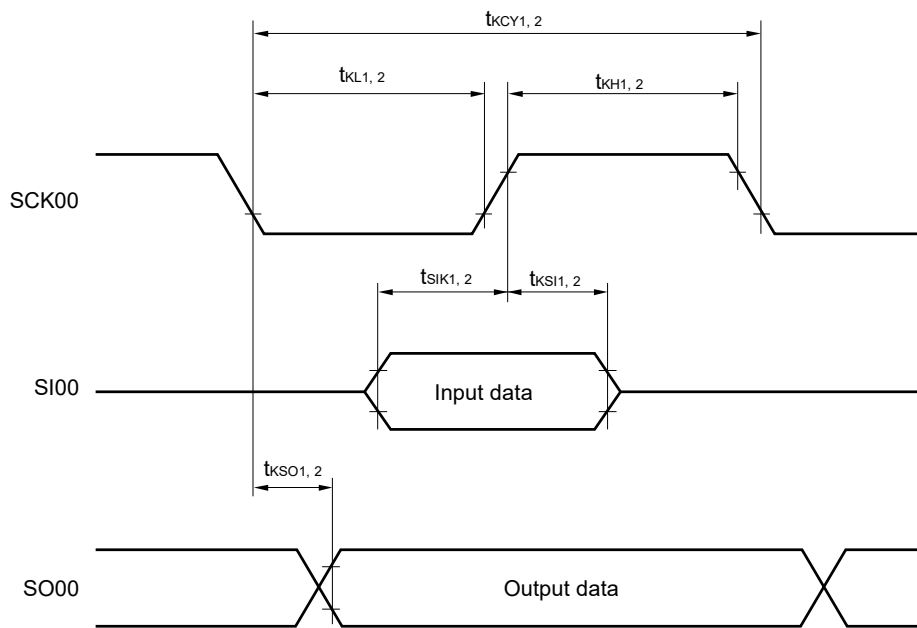
- Remarks**
1. p: CSI number (p = 00), n: Channel number (n = 0)
 2. f_{MCK}: Serial array unit operation clock frequency
(Operation clock to be set by the serial clock select register 0 (SPS0) and the CKS0n bit of the serial mode register 0nH (SMR0nH). n: Channel number (n = 0))

CSI mode connection diagram



CSI mode serial transfer timing

(When DAP00 = 0 and CKP00 = 0, or DAP00 = 1 and CKP00 = 1.)



23.6 Analog Characteristics

23.6.1 A/D converter characteristics

(Target ANI pin: ANI0 to ANI7)

($T_A = -40$ to $+85^\circ\text{C}$, $2.4\text{ V} \leq V_{DD} \leq 5.5\text{ V}$, $V_{SS} = 0\text{ V}$)

Parameter	Symbol	Conditions	MIN.	TYP.	MAX.	Unit	
Resolution	RES		8		10	bit	
Overall error ^{Notes 1, 2, 3}	AINL	10-bit resolution	$V_{DD} = 5\text{ V}$		± 1.7	± 3.1	LSB
			$V_{DD} = 3\text{ V}$		± 2.3	± 4.5	LSB
Conversion time	t_{CONV}	10-bit resolution Target pin: ANI0 to ANI7	$2.7\text{ V} \leq V_{DD} \leq 5.5\text{ V}$	3.4		18.4	μs
			$2.4\text{ V} \leq V_{DD} \leq 5.5\text{ V}$ ^{Note 5}	4.6		18.4	
Zero-scale error ^{Notes 1, 2, 3, 4}	E _{ZS}	10-bit resolution	$V_{DD} = 5\text{ V}$			± 0.19	%FSR
			$V_{DD} = 3\text{ V}$			± 0.39	%FSR
Full-scale error ^{Notes 1, 2, 3, 4}	E _{FS}	10-bit resolution	$V_{DD} = 5\text{ V}$			± 0.29	%FSR
			$V_{DD} = 3\text{ V}$			± 0.42	%FSR
Integral linearity error ^{Notes 1, 2, 3}	ILE	10-bit resolution	$V_{DD} = 5\text{ V}$			± 1.8	LSB
			$V_{DD} = 3\text{ V}$			± 1.7	LSB
Differential linearity error ^{Notes 1, 2, 3}	DLE	10-bit resolution	$V_{DD} = 5\text{ V}$			± 1.4	LSB
			$V_{DD} = 3\text{ V}$			± 1.5	LSB
Analog input voltage	V _{AIN}	Target pin: ANI0 to ANI7	0		V _{DD}	V	

- Notes**
1. TYP. Value is the average value at $T_A = 25^\circ\text{C}$. MAX. value is the average value $\pm 3\sigma$ at normal distribution.
 2. These values are the results of characteristic evaluation and are not checked for shipment.
 3. Excludes quantization error ($\pm 1/2$ LSB).
 4. This value is indicated as a ratio (%FSR) to the full-scale value.
 5. Set the LV0 bit in the A/D converter mode register 0 (ADM0) to 0 when conversion is done in the operating voltage range of $2.4\text{ V} \leq V_{DD} < 2.7\text{ V}$.

- Cautions**
1. Arrange wiring and insert the capacitor so that no noise appears on the power supply/ground line.
 2. Do not allow any pulses that rapidly change such as digital signals to be input/output to/from the pins adjacent to the conversion pin during A/D conversion.
 3. Set P-ch open drain of P00 to P05 to off state (high impedance) during A/D conversion (R7F0C808, R7F0C809).

23.6.2 SPOR circuit characteristics

($T_A = -40$ to $+85^\circ\text{C}$, $V_{SS} = 0$ V)

Parameter	Symbol	Conditions	MIN.	TYP.	MAX.	Unit
Detection supply voltage	V_{SPOR0}	Power supply rise time		4.28	4.45	V
		Power supply fall time	4.00			V
	V_{SPOR1}	Power supply rise time		2.90	3.02	V
		Power supply fall time	2.70			V
	V_{SPOR2}	Power supply rise time		2.57	2.68	V
		Power supply fall time	2.40			V
Minimum pulse width ^{Note}	T_{SPW}		300			μs

Note Time required for the reset operation by the SPOR when V_{DD} becomes under V_{SPOR} .

Caution Set the detection voltage (V_{SPOR}) in the operating voltage range. The operating voltage range depends on the setting of the user option byte (000C2H). The operating voltage range is as follows:

When the CPU operating frequency is from 1.25 MHz to 20 MHz: $V_{DD} = 2.7$ to 5.5 V

When the CPU operating frequency is from 1.25 MHz to 5 MHz: $V_{DD} = 2.4$ to 5.5 V

23.6.3 Power supply voltage rising slope characteristics

($T_A = -40$ to $+85^\circ\text{C}$, $V_{SS} = 0$ V)

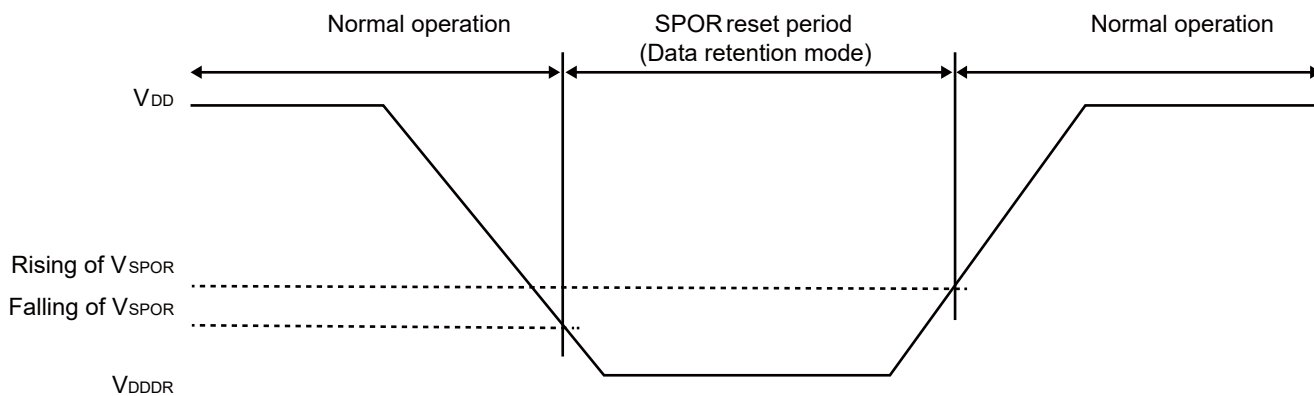
Parameter	Symbol	Conditions	MIN.	TYP.	MAX.	Unit
Power supply voltage rising slope	S_{VDD}				54	V/ms

23.6.4 Data retention power supply voltage characteristics

($T_A = -40$ to $+85^\circ\text{C}$, $V_{SS} = 0$ V)

Parameter	Symbol	Conditions	MIN.	TYP.	MAX.	Unit
Data retention power supply voltage	V_{DDDR}		1.9		5.5	V

Caution Data in the RESF register is retained until the power supply voltage becomes under the minimum value of the data retention power supply voltage (V_{DDDR}). Note that data in the RESF register might not be cleared even if the power supply voltage becomes under the minimum value of the data retention power supply voltage (V_{DDDR}).



23.7 Flash Memory Programming Characteristics

($T_A = 0$ to $+40^\circ\text{C}$, $4.5\text{ V} \leq V_{DD} \leq 5.5\text{ V}$, $V_{SS} = 0\text{ V}$)

Parameter	Symbol	Conditions	MIN.	TYP.	MAX.	Unit
Code flash memory rewritable times ^{Notes 1, 2, 3}	C_{erwr}	Retained for 20 years ($T_A = 85^\circ\text{C}$)	100			Times

- Notes**
- 1 erase + 1 write after the erase is regarded as 1 rewrite. The retaining years are until next rewrite after the rewrite.
 2. When using flash memory programmer.
 3. These are the characteristics of the flash memory and the results obtained from reliability testing by Renesas Electronics Corporation.

23.8 Dedicated Flash Memory Programmer Communication (UART)

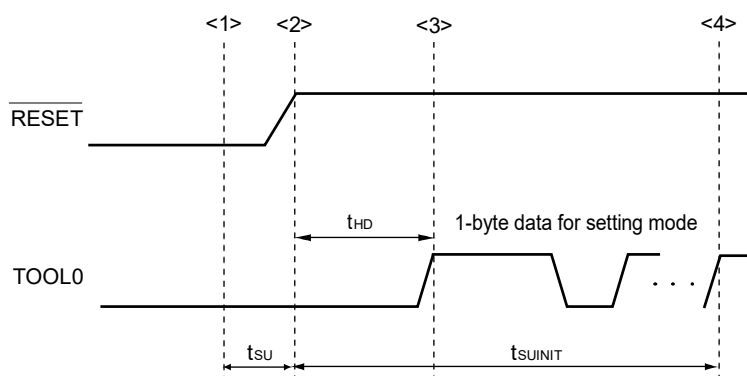
($T_A = 0$ to $+40^\circ\text{C}$, $4.5\text{ V} \leq V_{DD} \leq 5.5\text{ V}$, $V_{SS} = 0\text{ V}$)

Parameter	Symbol	Conditions	MIN.	TYP.	MAX.	Unit
Transfer rate				115,200		bps

Remark The transfer rate during flash memory programming is fixed to 115,200 bps.

23.9 Timing of Entry to Flash Memory Programming Modes

Parameter	Symbol	Conditions	MIN.	TYP.	MAX.	Unit
Time to complete the communication for the initial setting after the external reset is released	t_{SUINIT}	SPOR reset must be released before the external reset is released.			100	ms
Time to release the external reset after the TOOL0 pin is set to the low level	t_{SU}	SPOR reset must be released before the external reset is released.	10			μ s
Time to hold the TOOL0 pin at the low level after the external reset is released	t_{HD}	SPOR reset must be released before the external reset is released.	1			ms



- <1> The low level is input to the TOOL0 pin.
- <2> The external reset is released (SPOR reset must be released before the external reset is released.).
- <3> The TOOL0 pin is set to the high level.
- <4> Setting of entry to the flash memory programming mode by UART reception.

Remark t_{SUINIT} : Communication for the initial setting must be completed within 100 ms (68 ms at $T_A = -40$ to $+85^\circ\text{C}$) after the external reset is released during this period.

t_{SU} : Time to release the external reset after the TOOL0 pin is set to the low level

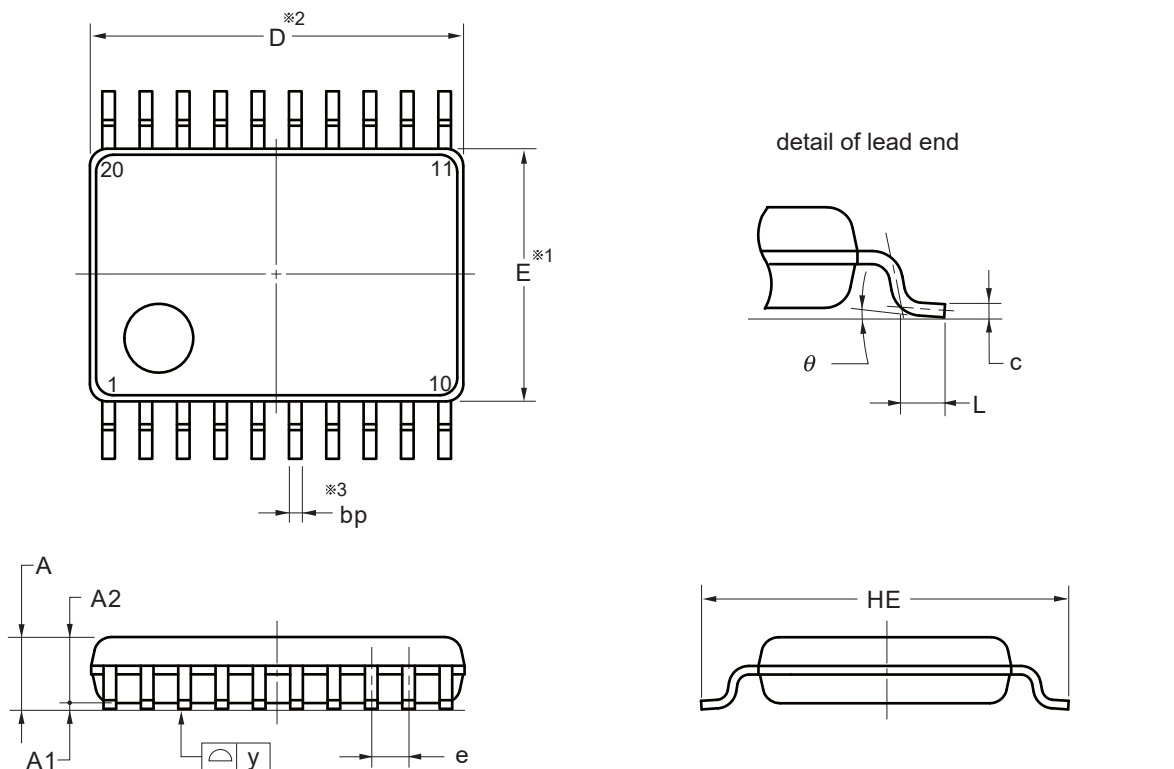
t_{HD} : Time to hold the TOOL0 pin at the low level after the external reset is released

CHAPTER 24 PACKAGE DRAWINGS

24.1 20-Pin Products

R7F0C80762ESP, R7F0C80962ESP, R7F0C80662ESP, R7F0C80862ESP

JEITA Package Code	RENESAS Code	Previous Code	MASS (TYP.) [g]
P-LSSOP20-4.4x6.5-0.65	PLSP0020JB-A	P20MA-65-NAA-1	0.1



NOTE

1. Dimensions "※1" and "※2" do not include mold flash.
2. Dimension "※3" does not include trim offset.

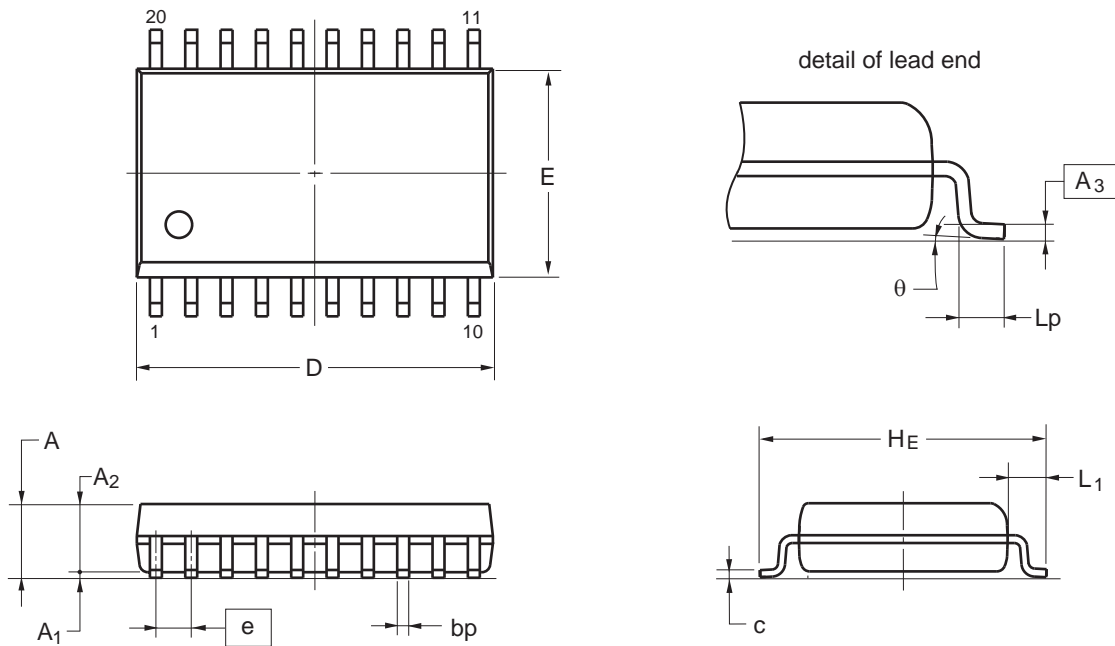
(UNIT:mm)

ITEM	DIMENSIONS
D	6.50±0.10
E	4.40±0.10
HE	6.40±0.20
A	1.45 MAX.
A1	0.10±0.10
A2	1.15
e	0.65±0.12
bp	0.22 ^{+0.10} _{-0.05}
c	0.15 ^{+0.05} _{-0.02}
L	0.50±0.20
y	0.10
θ	0° to 10°

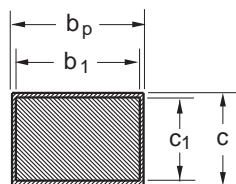
©2012 Renesas Electronics Corporation. All rights reserved.

R7F0C80762ESN, R7F0C80962ESN, R7F0C80662ESN, R7F0C80862ESN

JEITA Package code	RENESAS code	Previous code	MASS(TYP.)[g]
P-SOP20-7.5x12.8-1.27	PRSP0020DP-A	T20MR-127-PAB	0.54



Terminal cross section



Reference Symbol	Dimension in Millimeters		
	Min	Nom	Max
D	12.60	12.80	13.00
E	7.30	7.50	7.70
A ₂	2.25	2.30	2.35
A ₁	0.10	—	0.30
A	—	—	2.65
A ₃	—	0.25	—
bp	0.35	—	0.44
b ₁	0.34	0.37	0.39
c	0.25	—	0.31
c ₁	0.24	0.25	0.26
θ	0°	—	8°
H _E	10.10	10.30	10.50
L _p	0.70	—	1.00
e	—	1.27	—
L ₁	—	1.40	—

<R>

APPENDIX A REVISION HISTORY

A.1 Major Revisions in This Edition

(1/1)

Page	Description	Classification
Throughout		
–	Deletion of product specifications of R7F0C80762ESM, R7F0C80762DSM, R7F0C80962ESM, R7F0C80962DSM, R7F0C80662ESM, R7F0C80662DSM, R7F0C80862ESM and R7F0C80862DSM	(b)

Remark "Classification" in the above table classifies revisions as follows.

- (a): Error correction, (b): Addition/change of specifications, (c): Addition/change of description or note, (d): Addition/change of package, part number, or management division, (e): Addition/change of related documentsd

A.2 Revision History of Preceding Editions

Here is the revision history of the preceding editions. Chapter indicates the chapter of each edition.

(1/2)

Edition	Description	Chapter
Rev.1.30	Change of "ROM, RAM capacities" in 1.1 Features	CHAPTER 1 OUTLINE
	Change of Figure 1-1 Part Number, Memory Size, and Package of R7F0C806-809	
	Deletion of note in Figure 1-1 Part Number, Memory Size, and Package of R7F0C806-809	
	Change of Table 1-1 List of Ordering Part Numbers	
	Addition of package name in 1.3.1 R7F0C806 and R7F0C807 products	
	Addition of package name in 1.3.2 R7F0C808 and R7F0C809 products	
	Addition of product name in 1.6 Outline of Functions	
	Change of the header of the table in 2.1.1 R7F0C806 and R7F0C807 products	CHAPTER 2 PIN FUNCTIONS
	Change of the header of the table in 2.1.2 R7F0C808 and R7F0C809 products	
	Addition of caution in Figure 2-4 Pin Block Diagram for Pin Type 7-1-2	
	Change of description in 5.4.2 Low-speed on-chip oscillator	CHAPTER 5 CLOCK GENERATOR
	Change of description in Figure 6-8 Format of Timer Mode Register 0n (TMR0n) (1/3)	CHAPTER 6 TIMER ARRAY UNIT
	Change of description in 6.4.2 Basic rules of 8-bit timer operation function (only channels 1 and 3)	
	Change of note in Figure 6-78 Example of Set Contents of Registers for PWM Output Function (Slave Channel) (1/2)	
	Addition of description (1) in Figure 11-1 Block Diagram of Serial Array Unit 0	CHAPTER 11 SERIAL ARRAY UNIT
	Change of remark 1 in 11.6.3 Calculating baud rate	
	Addition of description in Figure 13-2 Format of Interrupt Request Flag Registers (IF0L, IF0H, IF1L)	CHAPTER 13 INTERRUPT FUNCTIONS
	Change of Figure 19-4 Communication with External Device	CHAPTER 19 FLASH MEMORY
	Change of description in 19.3.1 P40/TOOL0 pin	
	Addition of remark 1 in 19.3.1 P40/TOOL0 pin	
	Change of conditions and rating of "Output current, high" in 23.1 Absolute Maximum Ratings	CHAPTER 23 ELECTRICAL SPECIFICATIONS
	Change of conditions in 23.3.1 Pin characteristics of R7F0C806 and R7F0C807	
	Addition of notes 3 and 4 in 23.3.1 Pin characteristics of R7F0C806 and R7F0C807	
	Change of conditions in 23.3.2 Pin characteristics of R7F0C808 and R7F0C809	
	Addition of notes 3, 4, and 5 in 23.3.2 Pin characteristics of R7F0C808 and R7F0C809	CHAPTER 24 PACKAGE DRAWINGS
	Addition of package drawing in 24.1 20-Pin Products	

(2/2)

Edition	Description	Chapter
Rev.1.10	Change of Figure 1-1. Part Number, Memory Size, and Package of R7F0C806-809	CHAPTER 1 OUTLINE
	Change of Table 3-5. Extended SFR (2nd SFR) List (1/2)	CHAPTER 3 CPU ARCHITECTURE
	Change of Figure 10-1. Block Diagram of A/D Converter	CHAPTER 10 A/D CONVERTER
	Change of description in 10.3 Registers Used in A/D Converter	
	Change of caution in Figure 10-2. Format of Peripheral Enable Register 0 (PER0)	
	Deletion of description in 10.3.7 A/D test register (ADTES)	
	Change of description in 10.9.4 Noise countermeasures	
	Change of caution in ELECTRICAL SPECIFICATIONS	CHAPTER 23 ELECTRICAL SPECIFICATIONS
	Change of caution in 23.3.2 R7F0C808 and R7F0C809	
	Change of caution in 23.6.1 A/D converter characteristics	
	Change of 23.6.2 SPOR circuit characteristics	
Rev.1.00	First Edition issued	Throughout

R7F0C806-809 User's Manual: Hardware

Publication Date: Rev.1.00 Mar 26, 2014
Rev.1.40 Apr 10, 2018

Published by: Renesas Electronics Corporation

**SALES OFFICES****Renesas Electronics Corporation**<http://www.renesas.com>Refer to "<http://www.renesas.com/>" for the latest and detailed information.**Renesas Electronics America Inc.**1001 Murphy Ranch Road, Milpitas, CA 95035, U.S.A.
Tel: +1-408-432-8888, Fax: +1-408-434-5351**Renesas Electronics Canada Limited**9251 Yonge Street, Suite 8309 Richmond Hill, Ontario Canada L4C 9T3
Tel: +1-905-237-2004**Renesas Electronics Europe Limited**Dukes Meadow, Millboard Road, Bourne End, Buckinghamshire, SL8 5FH, U.K
Tel: +44-1628-651-700, Fax: +44-1628-651-804**Renesas Electronics Europe GmbH**Arcadiastrasse 10, 40472 Düsseldorf, Germany
Tel: +49-211-6503-0, Fax: +49-211-6503-1327**Renesas Electronics (China) Co., Ltd.**Room 1709 Quantum Plaza, No.27 ZhichunLu, Haidian District, Beijing, 100191 P. R. China
Tel: +86-10-8235-1155, Fax: +86-10-8235-7679**Renesas Electronics (Shanghai) Co., Ltd.**Unit 301, Tower A, Central Towers, 555 Langao Road, Putuo District, Shanghai, 200333 P. R. China
Tel: +86-21-2226-0888, Fax: +86-21-2226-0999**Renesas Electronics Hong Kong Limited**Unit 1601-1611, 16/F., Tower 2, Grand Century Place, 193 Prince Edward Road West, Mongkok, Kowloon, Hong Kong
Tel: +852-2265-6688, Fax: +852 2886-9022**Renesas Electronics Taiwan Co., Ltd.**13F, No. 363, Fu Shing North Road, Taipei 10543, Taiwan
Tel: +886-2-8175-9600, Fax: +886 2-8175-9670**Renesas Electronics Singapore Pte. Ltd.**80 Bendemeer Road, Unit #06-02 Hyflux Innovation Centre, Singapore 339949
Tel: +65-6213-0200, Fax: +65-6213-0300**Renesas Electronics Malaysia Sdn.Bhd.**Unit 1207, Block B, Menara Amcorp, Amcorp Trade Centre, No. 18, Jln Persiaran Barat, 46050 Petaling Jaya, Selangor Darul Ehsan, Malaysia
Tel: +60-3-7955-9390, Fax: +60-3-7955-9510**Renesas Electronics India Pvt. Ltd.**No.777C, 100 Feet Road, HAL 2nd Stage, Indiranagar, Bangalore 560 038, India
Tel: +91-80-67208700, Fax: +91-80-67208777**Renesas Electronics Korea Co., Ltd.**17F, KAMCO Yangjae Tower, 262, Gangnam-daero, Gangnam-gu, Seoul, 06265 Korea
Tel: +82-2-558-3737, Fax: +82-2-558-5338

R7F0C806-809