

To our customers,

Old Company Name in Catalogs and Other Documents

On April 1st, 2010, NEC Electronics Corporation merged with Renesas Technology Corporation, and Renesas Electronics Corporation took over all the business of both companies. Therefore, although the old company name remains in this document, it is a valid Renesas Electronics document. We appreciate your understanding.

Renesas Electronics website: <http://www.renesas.com>

April 1st, 2010
Renesas Electronics Corporation

Issued by: Renesas Electronics Corporation (<http://www.renesas.com>)

Send any inquiries to <http://www.renesas.com/inquiry>.

Notice

1. All information included in this document is current as of the date this document is issued. Such information, however, is subject to change without any prior notice. Before purchasing or using any Renesas Electronics products listed herein, please confirm the latest product information with a Renesas Electronics sales office. Also, please pay regular and careful attention to additional and different information to be disclosed by Renesas Electronics such as that disclosed through our website.
2. Renesas Electronics does not assume any liability for infringement of patents, copyrights, or other intellectual property rights of third parties by or arising from the use of Renesas Electronics products or technical information described in this document. No license, express, implied or otherwise, is granted hereby under any patents, copyrights or other intellectual property rights of Renesas Electronics or others.
3. You should not alter, modify, copy, or otherwise misappropriate any Renesas Electronics product, whether in whole or in part.
4. Descriptions of circuits, software and other related information in this document are provided only to illustrate the operation of semiconductor products and application examples. You are fully responsible for the incorporation of these circuits, software, and information in the design of your equipment. Renesas Electronics assumes no responsibility for any losses incurred by you or third parties arising from the use of these circuits, software, or information.
5. When exporting the products or technology described in this document, you should comply with the applicable export control laws and regulations and follow the procedures required by such laws and regulations. You should not use Renesas Electronics products or the technology described in this document for any purpose relating to military applications or use by the military, including but not limited to the development of weapons of mass destruction. Renesas Electronics products and technology may not be used for or incorporated into any products or systems whose manufacture, use, or sale is prohibited under any applicable domestic or foreign laws or regulations.
6. Renesas Electronics has used reasonable care in preparing the information included in this document, but Renesas Electronics does not warrant that such information is error free. Renesas Electronics assumes no liability whatsoever for any damages incurred by you resulting from errors in or omissions from the information included herein.
7. Renesas Electronics products are classified according to the following three quality grades: “Standard”, “High Quality”, and “Specific”. The recommended applications for each Renesas Electronics product depends on the product’s quality grade, as indicated below. You must check the quality grade of each Renesas Electronics product before using it in a particular application. You may not use any Renesas Electronics product for any application categorized as “Specific” without the prior written consent of Renesas Electronics. Further, you may not use any Renesas Electronics product for any application for which it is not intended without the prior written consent of Renesas Electronics. Renesas Electronics shall not be in any way liable for any damages or losses incurred by you or third parties arising from the use of any Renesas Electronics product for an application categorized as “Specific” or for which the product is not intended where you have failed to obtain the prior written consent of Renesas Electronics. The quality grade of each Renesas Electronics product is “Standard” unless otherwise expressly specified in a Renesas Electronics data sheets or data books, etc.
 - “Standard”: Computers; office equipment; communications equipment; test and measurement equipment; audio and visual equipment; home electronic appliances; machine tools; personal electronic equipment; and industrial robots.
 - “High Quality”: Transportation equipment (automobiles, trains, ships, etc.); traffic control systems; anti-disaster systems; anti-crime systems; safety equipment; and medical equipment not specifically designed for life support.
 - “Specific”: Aircraft; aerospace equipment; submersible repeaters; nuclear reactor control systems; medical equipment or systems for life support (e.g. artificial life support devices or systems), surgical implantations, or healthcare intervention (e.g. excision, etc.), and any other applications or purposes that pose a direct threat to human life.
8. You should use the Renesas Electronics products described in this document within the range specified by Renesas Electronics, especially with respect to the maximum rating, operating supply voltage range, movement power voltage range, heat radiation characteristics, installation and other product characteristics. Renesas Electronics shall have no liability for malfunctions or damages arising out of the use of Renesas Electronics products beyond such specified ranges.
9. Although Renesas Electronics endeavors to improve the quality and reliability of its products, semiconductor products have specific characteristics such as the occurrence of failure at a certain rate and malfunctions under certain use conditions. Further, Renesas Electronics products are not subject to radiation resistance design. Please be sure to implement safety measures to guard them against the possibility of physical injury, and injury or damage caused by fire in the event of the failure of a Renesas Electronics product, such as safety design for hardware and software including but not limited to redundancy, fire control and malfunction prevention, appropriate treatment for aging degradation or any other appropriate measures. Because the evaluation of microcomputer software alone is very difficult, please evaluate the safety of the final products or system manufactured by you.
10. Please contact a Renesas Electronics sales office for details as to environmental matters such as the environmental compatibility of each Renesas Electronics product. Please use Renesas Electronics products in compliance with all applicable laws and regulations that regulate the inclusion or use of controlled substances, including without limitation, the EU RoHS Directive. Renesas Electronics assumes no liability for damages or losses occurring as a result of your noncompliance with applicable laws and regulations.
11. This document may not be reproduced or duplicated, in any form, in whole or in part, without prior written consent of Renesas Electronics.
12. Please contact a Renesas Electronics sales office if you have any questions regarding the information contained in this document or Renesas Electronics products, or if you have any other inquiries.

(Note 1) “Renesas Electronics” as used in this document means Renesas Electronics Corporation and also includes its majority-owned subsidiaries.

(Note 2) “Renesas Electronics product(s)” means any product developed or manufactured by or for Renesas Electronics.



User's Manual

IE-178048-NS-EM1

Emulation Board

Target device μ PD178048 Subseries

Document No. U15928EJ1V0UM00 (1st edition)
Date Published March 2002 N CP(K)

© NEC Corporation 2002
Printed in Japan

[MEMO]

Windows is either a registered trademark or a trademark of Microsoft Corporation in the United States and/or other countries.

PC/AT is a trademark of International Business Machines Corporation.

- **The information in this document is current as of February, 2002. The information is subject to change without notice. For actual design-in, refer to the latest publications of NEC's data sheets or data books, etc., for the most up-to-date specifications of NEC semiconductor products. Not all products and/or types are available in every country. Please check with an NEC sales representative for availability and additional information.**

- No part of this document may be copied or reproduced in any form or by any means without prior written consent of NEC. NEC assumes no responsibility for any errors that may appear in this document.

- NEC does not assume any liability for infringement of patents, copyrights or other intellectual property rights of third parties by or arising from the use of NEC semiconductor products listed in this document or any other liability arising from the use of such products. No license, express, implied or otherwise, is granted under any patents, copyrights or other intellectual property rights of NEC or others.

- Descriptions of circuits, software and other related information in this document are provided for illustrative purposes in semiconductor product operation and application examples. The incorporation of these circuits, software and information in the design of customer's equipment shall be done under the full responsibility of customer. NEC assumes no responsibility for any losses incurred by customers or third parties arising from the use of these circuits, software and information.

- While NEC endeavours to enhance the quality, reliability and safety of NEC semiconductor products, customers agree and acknowledge that the possibility of defects thereof cannot be eliminated entirely. To minimize risks of damage to property or injury (including death) to persons arising from defects in NEC semiconductor products, customers must incorporate sufficient safety measures in their design, such as redundancy, fire-containment, and anti-failure features.

- NEC semiconductor products are classified into the following three quality grades: "Standard", "Special" and "Specific". The "Specific" quality grade applies only to semiconductor products developed based on a customer-designated "quality assurance program" for a specific application. The recommended applications of a semiconductor product depend on its quality grade, as indicated below. Customers must check the quality grade of each semiconductor product before using it in a particular application.

"Standard": Computers, office equipment, communications equipment, test and measurement equipment, audio and visual equipment, home electronic appliances, machine tools, personal electronic equipment and industrial robots

"Special": Transportation equipment (automobiles, trains, ships, etc.), traffic control systems, anti-disaster systems, anti-crime systems, safety equipment and medical equipment (not specifically designed for life support)

"Specific": Aircraft, aerospace equipment, submersible repeaters, nuclear reactor control systems, life support systems and medical equipment for life support, etc.

The quality grade of NEC semiconductor products is "Standard" unless otherwise expressly specified in NEC's data sheets or data books, etc. If customers wish to use NEC semiconductor products in applications not intended by NEC, they must contact an NEC sales representative in advance to determine NEC's willingness to support a given application.

(Note)

(1) "NEC" as used in this statement means NEC Corporation and also includes its majority-owned subsidiaries.

(2) "NEC semiconductor products" means any semiconductor product developed or manufactured by or for NEC (as defined above).

M8E 00.4

Regional Information

Some information contained in this document may vary from country to country. Before using any NEC product in your application, please contact the NEC office in your country to obtain a list of authorized representatives and distributors. They will verify:

- Device availability
- Ordering information
- Product release schedule
- Availability of related technical literature
- Development environment specifications (for example, specifications for third-party tools and components, host computers, power plugs, AC supply voltages, and so forth)
- Network requirements

In addition, trademarks, registered trademarks, export restrictions, and other legal issues may also vary from country to country.

NEC Electronics Inc. (U.S.)

Santa Clara, California
Tel: 408-588-6000
800-366-9782
Fax: 408-588-6130
800-729-9288

NEC do Brasil S.A.

Electron Devices Division
Guarulhos-SP, Brasil
Tel: 11-6462-6810
Fax: 11-6462-6829

NEC Electronics (Europe) GmbH

Duesseldorf, Germany
Tel: 0211-65 03 01
Fax: 0211-65 03 327

- Branch The Netherlands
Eindhoven, The Netherlands
Tel: 040-244 58 45
Fax: 040-244 45 80

- Branch Sweden
Taeby, Sweden
Tel: 08-63 80 820
Fax: 08-63 80 388

NEC Electronics (France) S.A.

Vélizy-Villacoublay, France
Tel: 01-3067-58-00
Fax: 01-3067-58-99

NEC Electronics (France) S.A. Representación en España

Madrid, Spain
Tel: 091-504-27-87
Fax: 091-504-28-60

NEC Electronics Italiana S.R.L.

Milano, Italy
Tel: 02-66 75 41
Fax: 02-66 75 42 99

NEC Electronics (UK) Ltd.

Milton Keynes, UK
Tel: 01908-691-133
Fax: 01908-670-290

NEC Electronics Hong Kong Ltd.

Hong Kong
Tel: 2886-9318
Fax: 2886-9022/9044

NEC Electronics Hong Kong Ltd.

Seoul Branch
Seoul, Korea
Tel: 02-528-0303
Fax: 02-528-4411

NEC Electronics Shanghai, Ltd.

Shanghai, P.R. China
Tel: 021-6841-1138
Fax: 021-6841-1137

NEC Electronics Taiwan Ltd.

Taipei, Taiwan
Tel: 02-2719-2377
Fax: 02-2719-5951

NEC Electronics Singapore Pte. Ltd.

Novena Square, Singapore
Tel: 253-8311
Fax: 250-3583

J02.3

INTRODUCTION

Product Overview

The IE-178048-NS-EM1 is designed to be used with the IE-78K0-NS or IE-78K0-NS-A to debug the following target devices that belong to the 178K Series of 8-bit single-chip microcontrollers.

- μ PD178048 Subseries: μ PD178046, 178048, 178F048

Target Readers

This manual is intended for engineers who will use the IE-178048-NS-EM1 with the IE-78K0-NS or IE-78K0-NS-A to perform system debugging.

Engineers who use this manual are expected to be thoroughly familiar with the target device's functions and use methods and to be knowledgeable about debugging.

Organization

When using the IE-178048-NS-EM1, refer to not only this manual (supplied with the IE-178048-NS-EM1) but also the manual that is supplied with the IE-78K0-NS or IE-78K0-NS-A.

The IE-78K0-NS used in combination with the IE-78K0-NS-PA is functionally equivalent to the IE-78K0-NS-A. In this case therefore, read IE-78K0-NS + IE-78K0-NS-PA for IE-78K0-NS-A in this document, as necessary.

IE-78K0-NS or IE-78K0-NS-A User's Manual
--

- Basic specifications
- System configuration
- External interface functions

IE-178048-NS-EM1 User's Manual

- General
- Part names
- Installation
- Differences between target devices and target interface circuits

Purpose

This manual's purpose is to explain various debugging functions that can be performed when using the IE-178048-NS-EM1.

Terminology

The meanings of certain terms used in this manual are listed below.

Term	Meaning
Emulation device	This is a general term that refers to the device in the emulator that is used to emulate the target device. It includes the emulation CPU.
Emulation CPU	This is the CPU block in the emulator that is used to execute user-generated programs.
Target device	This is device (real chip) that is the target for emulation.
Target system	This includes the target program and the hardware provided by the user. When defined narrowly, it includes only the hardware.
IE system	This refers to the combination of the in-circuit emulator (IE-78K0-NS or IE-78K0-NS-A) and the emulation board (IE-178048-NS-EM1).

Conventions

Data significance: Higher digits on the left and lower digits on the right

Note: Footnote for item marked with **Note** in the text

Caution: Information requiring particular attention

Remark: Supplementary information

Related Documents

The related documents (user's manuals) indicated in this publication may include preliminary versions. However, preliminary versions are not marked as such.

Document Name	Document Number
IE-78K0-NS	U13731E
IE-78K0-NS-A	U14889E
IE-178048-NS-EM1	This manual
ID78K Series Integrated Debugger Ver.2.30 or Later Operation (Windows™ Based)	U15185E
μPD178048 Subseries	U13985E

Caution The related documents listed above are subject to change without notice. Be sure to use the latest version of each document for designing.

CONTENTS

CHAPTER 1 GENERAL	10
1.1 System Configuration.....	11
1.2 Hardware Configuration.....	13
1.3 Basic Specifications.....	14
CHAPTER 2 PART NAMES	15
2.1 Parts of Main Unit	16
CHAPTER 3 INSTALLATION	17
3.1 Connection	18
3.2 Clock Settings.....	20
3.2.1 Overview of clock settings	20
3.2.2 Main system clock settings	22
3.3 External Trigger	27
3.4 Jumper Settings on IE-78K0-NS.....	28
3.5 Jumper Settings on IE-78K0-NS-A	28
3.6 Low-Voltage Emulation Setting.....	29
CHAPTER 4 DIFFERENCES BETWEEN TARGET DEVICES AND TARGET INTERFACE CIRCUITS	30
APPENDIX A EMULATION PROBE PIN ASSIGNMENT TABLE	34
APPENDIX B NOTES ON TARGET SYSTEM DESIGN	36

LIST OF FIGURES

Figure No.	Title	Page
1-1	System Configuration	11
1-2	Basic Hardware Configuration (When Using IE-78K0-NS)	13
1-3	Basic Hardware Configuration (When Using IE-78K0-NS-A)	13
2-1	IE-178048-NS-EM1 Part Names.....	16
2-2	IE-178048 PROBE Board	16
3-1	Connection of Emulation Probe (NP-64CW/H64CW) and BNC PROBE	19
3-2	Connection of Emulation Probe (NP-80GK/H80GK-TQ) and BNC PROBE.....	19
3-3	External Circuits Used as System Clock Oscillator	20
3-4	When Using Clock That Is Already Mounted on Emulation Board.....	21
3-5	When Using User-Mounted Clock	21
3-6	When Using an External Clock	22
3-7	Connections on Parts Board (When Using Main System Clock or User-Mounted Clock)	23
3-8	Crystal Oscillator (When Using Main System Clock or User-Mounted Clock)	25
3-9	Pin Alignment of Crystal Oscillator and Socket	25
3-10	External Trigger Input Position	27
3-11	Main Board (G-780009 Board) of IE-78K0-NS or IE-78K0-NS-A.....	29
4-1	Equivalent Circuit 1 of Emulation Circuit.....	32
4-2	Equivalent Circuit 2 of Emulation Circuit.....	32
4-3	Equivalent Circuit 3 of Emulation Circuit.....	33
4-4	Equivalent Circuit 4 of Emulation Circuit.....	33
B-1	Distance Between IE System and Conversion Adapter (When Using NP-80GK/H80GK-TQ).....	36
B-2	Connection Conditions of Target System (When Using NP-80GK)	37
B-3	Connection Conditions of Target System (When Using NP-H80GK-TQ)	38
B-4	Distance Between IE System and IC Socket (When Using NP-64CW)	39
B-5	Connection Conditions of Target System (When Using NP-64CW)	39
B-6	Distance Between IE System and IC Socket (When Using NP-H64CW)	40
B-7	Connection Conditions of Target System (When Using NP-H64CW).....	40

LIST OF TABLES

Table No.	Title	Page
1-1	Basic Specifications	14
3-1	Main System Clock Settings.....	22
3-2	Jumper Settings on IE-78K0-NS	28
3-3	Jumper Settings on IE-78K0-NS-A G-780009 Board	28
3-4	Jumper Settings on IE-78K0-NS-A G-78K0H Option Board.....	28
3-5	Power Supply Voltage and Maximum Current Consumption During Low-Voltage Emulation	29
A-1	NP-64CW/H640W Pin Assignments.....	34
A-2	NP-80GK/H80Gk-TQ Pin Assignments	35
B-1	Distance Between IE System and Conversion Adapter or IC Socket.....	36

CHAPTER 1 GENERAL

The IE-178048-NS-EM1 is a development tool for efficient debugging of hardware or software when using one of the following target devices that belong to the 178K Series of 8-bit single-chip microcontrollers.

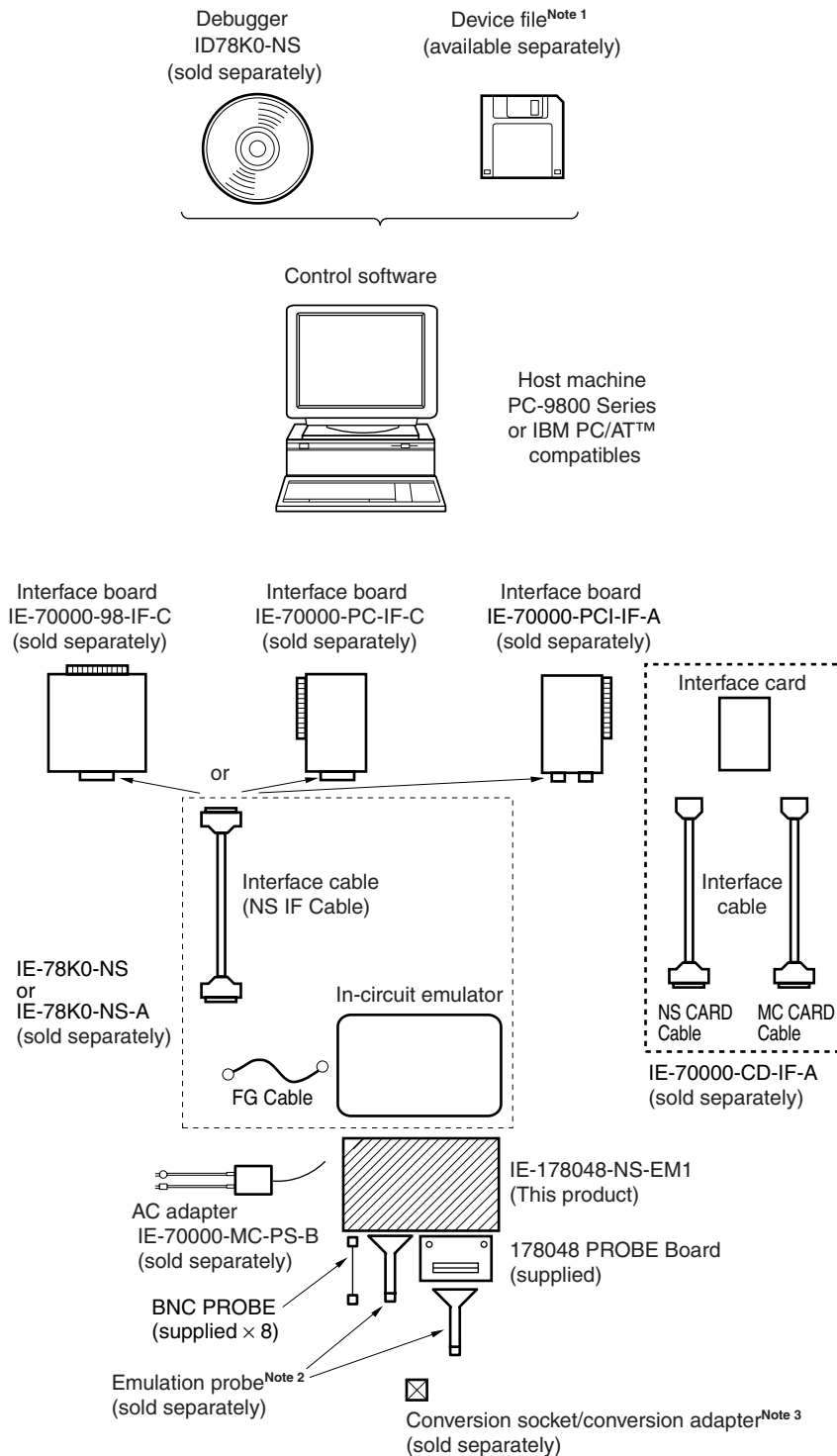
This chapter describes the IE-178048-NS-EM1's system configuration and basic specifications.

- Target device
 - μ PD178048 Subseries

1.1 System Configuration

Figure 1-1 illustrates the IE-178048-NS-EM1's system configuration.

Figure 1-1. System Configuration



Notes 1. The device file is as follows, in accordance with the subseries.

μ SxxxxDF178048: μ PD178048 Subseries

The device file can be downloaded from the Web site of NEC Electron Devices.

(URL: <http://www.ic.nec.co.jp/micro/>)

2. The emulation probe is as follows, in accordance with the package.

NP-64CW, NP-H64CW: 64-pin plastic shrink DIP (CW type)

NP-80GK, NP-H80GK-TQ: 80-pin plastic TQFP (GK type)

The NP-64CW, NP-H64CW, NP-80GK, and NP-H80GK-TQ are products of Naito Densei Machida Mfg. Co., Ltd.

For further information, contact Naito Densei Machida Mfg. Co., Ltd. (TEL: +81-45-475-4191)

3. The conversion socket/conversion adapter are as follows, in accordance with the package.

TGK-080SDW: 80-pin plastic TQFP (GK type)

The TGK-080SDW is a product of TOKYO ELETECH CORPORATION.

For further information, contact Daimaru Kogyo Co., Ltd.

Tokyo Electronics Department (TEL: +81-3-3820-7112)

Osaka Electronics Department (TEL: +81-6-6244-6672)

Package	Emulation Probe	Conversion Socket/Conversion Adapter
64-pin plastic shrink DIP (CW type)	NP-64CW, NP-H64CW	-
80-pin plastic TQFP (GK type)	NP-80GK, NP-H80GK-TQ	TGK-080SDW

1.2 Hardware Configuration

Figures 1-2 and 1-3 show the IE-178048-NS-EM1's position in the basic hardware configuration.

Figure 1-2. Basic Hardware Configuration (When Using IE-78K0-NS)

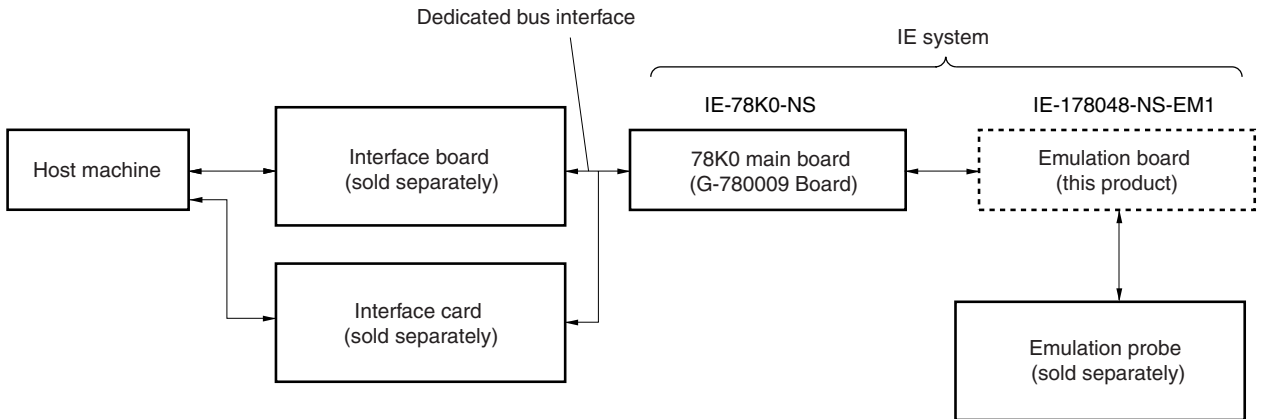
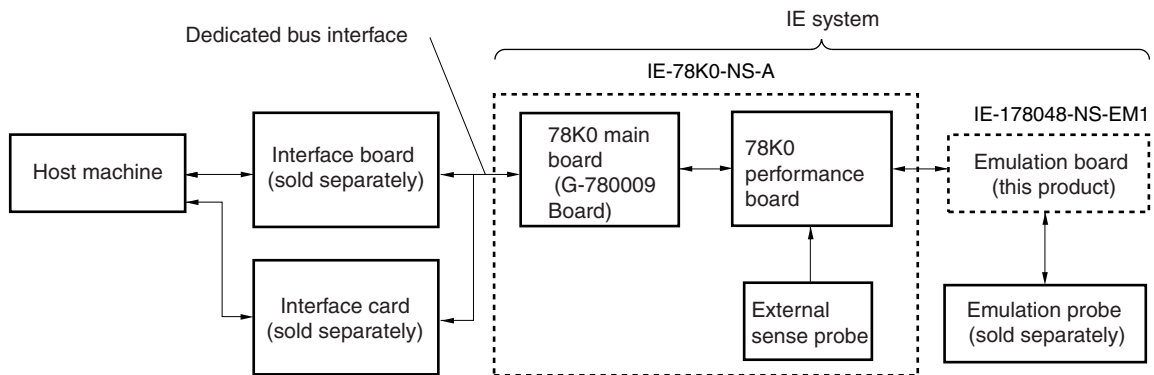


Figure 1-3. Basic Hardware Configuration (When Using IE-78K0-NS-A)



1.3 Basic Specifications

The IE-178048-NS-EM1's basic specifications are listed in Table 1-1.

Table 1-1. Basic Specifications

Parameter	Description
Target device	μ PD178048 Subseries
System clock	5 MHz
Clock supply	External: Input via an emulation probe from the target system Internal: Mounted on emulation board (5 MHz), or mounted on the board by the user
Low-voltage support	$V_{DD} = 3.3 \pm 0.2$ V to 5 V $\pm 10\%$ (same as target device)

CHAPTER 2 PART NAMES

This chapter introduces the parts of the IE-178048-NS-EM1 main unit.

The packing box contains the emulation board (IE-178048-NS-EM1).

If there are any missing or damaged items, please contact an NEC sales representative.

Fill out and return the guarantee document that comes with the main unit.

2.1 Parts of Main Unit

Figure 2-1. IE-178048-NS-EM1 Part Names

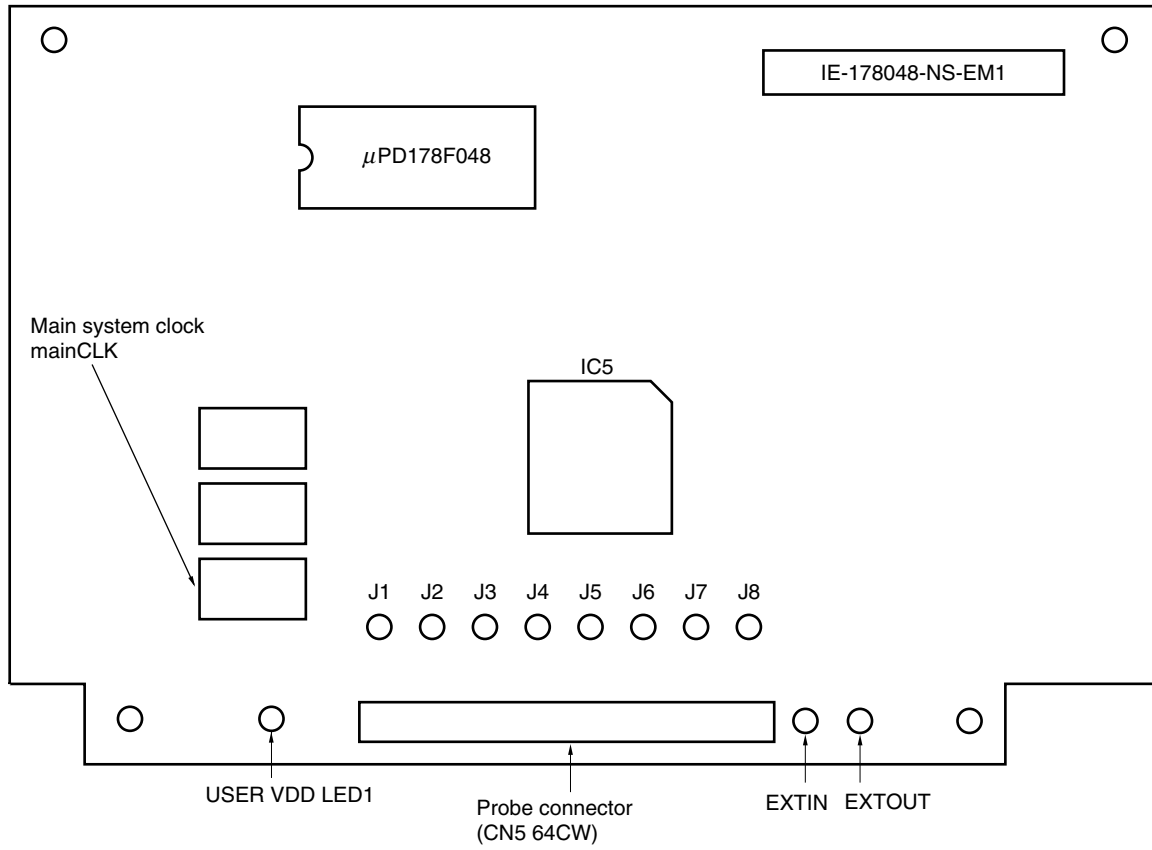
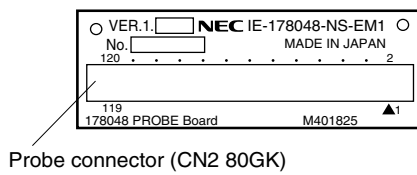


Figure 2-2. 178048 PROBE Board



CHAPTER 3 INSTALLATION

This chapter describes methods for connecting the IE-178048-NS-EM1 to the IE-78K0-NS or IE-78K0-NS-A, emulation probe, etc. Mode setting methods are also described.

Caution Connecting or removing components to or from the target system, or making switch or other setting changes must be carried out after the power supply to both the IE system and the target system has been switched OFF.

3.1 Connection

(1) Connection with IE-78K0-NS or IE-78K0-NS-A main unit

See **IE-78K0-NS User's Manual (U13731E)** for a description of how to connect the IE-178048-NS-EM1 to the IE-78K0-NS. See **IE-78K0-NS-A User's Manual (U14889E)** for a description of how to connect the IE-178048-NS-EM1 to the IE-78K0-NS-A.

(2) Connection with 178048 PROBE Board

When using the emulation probe NP-80GK, use the 178048 PROBE Board. Connect CN5 of the IE-178048-NS-EM1 and CN1 of the 178048 PROBE Board, aligning pin 1 of each.

(3) Connection with emulation probe

See the manual of the in-circuit emulator to be used (**IE-78K0-NS User's Manual (U13731E)** or **IE-78K0-NS-A User's Manual (U14889E)**) for a description of how to connect the emulation probe to the IE-178048-NS-EM1.

When using the emulation probe NP-64CW, connect it to CN5 on this board. When using the emulation probe NP-80GK, connect it to CN2 on the 178048 PROBE Board.

(4) Connection with BNC PROBE

Connect the supplied BNC PROBE to the J1 to J8 connectors on the IE-178048-NS-EM1.

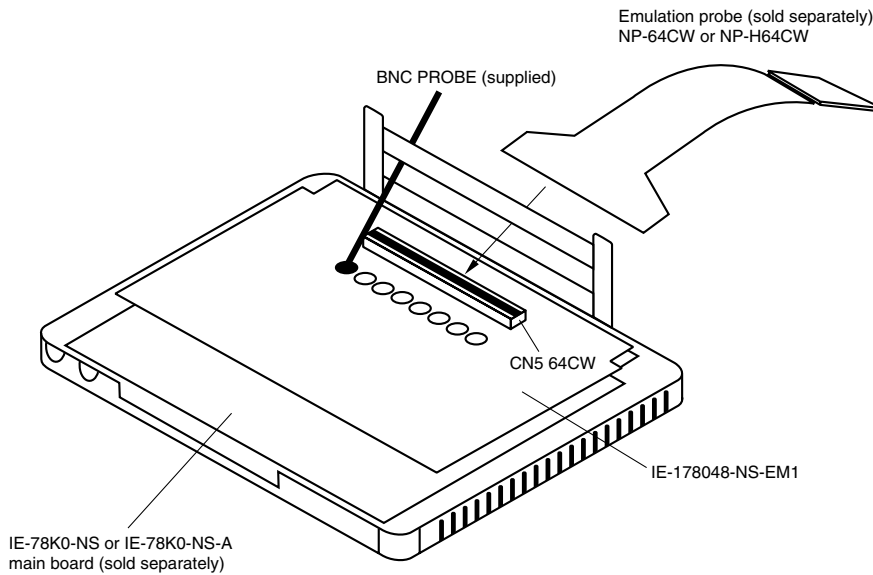
Signals corresponding to J1 to J8 are as follows. Connect to amplify inputs from the target system.

J1: $\overline{\text{VSYNC}}$	J5: B
J2: $\overline{\text{HSYNC}}$	J6: I
J3: R	J7: Open (not connected)
J4: G	J8: BLANK

Caution Incorrect connection methods may damage the IE system.

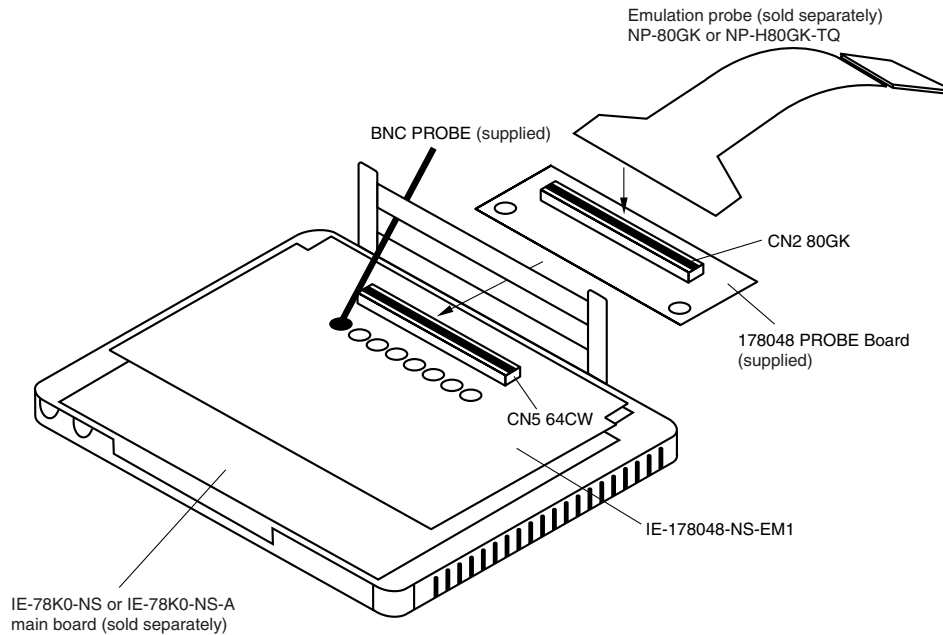
Be sure to read the emulation probe's user's manual for a detailed description of the correct connection method.

Figure 3-1. Connection of Emulation Probe (NP-64CW/H64CW) and BNC PROBE



Remark The NP-64CW/H64CW is a product of Naito Densai Machida Mfg. Co., Ltd.

Figure 3-2. Connection of Emulation Probe (NP-80GK/H80GK-TQ) and BNC PROBE



Remark The NP-80GK/H80GK-TQ is a product of Naito Densai Machida Mfg. Co., Ltd.

3.2 Clock Settings

3.2.1 Overview of clock settings

The main system clock to be used during debugging can be selected from (1) to (3) below.

- (1) Clock that is already mounted on emulation board
- (2) Clock that is mounted by user
- (3) External clock

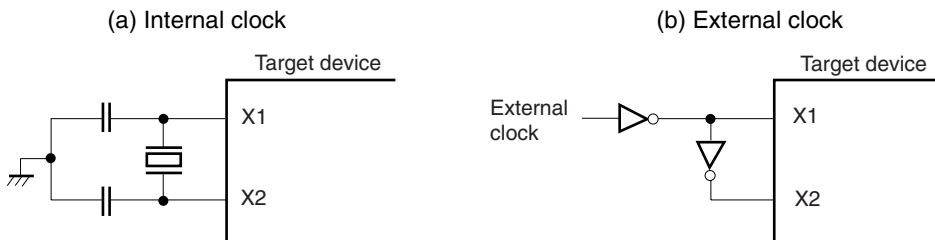
If the target system includes an internal clock, select either **(1) Clock that is already mounted on emulation board** or **(2) Clock that is mounted by user**. For an internal clock, the target device is connected to a resonator and the target device's internal oscillator is used. An example of the external circuit is shown in part (a) of Figure 3-3. During emulation, the resonator that is mounted on the target system is not used. Instead, it uses the clock that is mounted on the emulation board which is connected to the IE-78K0-NS or IE-78K0-NS-A.

If the target system includes an external clock, select **(3) External clock**.

For an external clock, a clock signal is supplied from outside of the target device and the target device's internal oscillator is not used. An example of the external circuit is shown in part (b) of Figure 3-3.

Caution The IE system will be hung-up if the main system clock is not supplied normally. Moreover, be sure to input a rectangular wave as the clock from the target. There is no need to supply a clock to X2 pin.

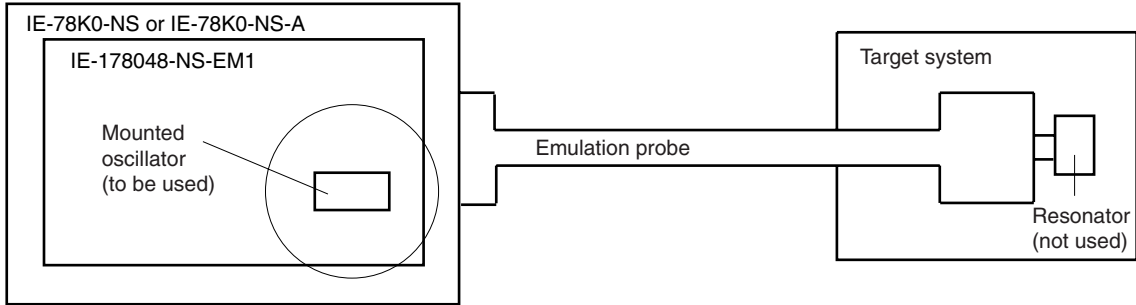
Figure 3-3. External Circuits Used as System Clock Oscillator



(1) Clock that is already mounted on emulation board

A crystal oscillator is already mounted on the emulation board. Its frequency is 5 MHz.

Figure 3-4. When Using Clock That Is Already Mounted on Emulation Board

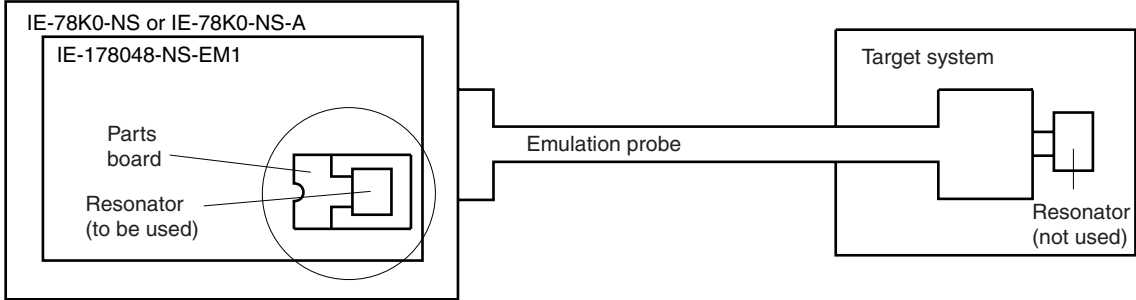


Remark The clock that is supplied by the IE-178048-NS-EM1's oscillator (encircled in the figure) is used.

(2) Clock that is mounted by user

The user is able to mount any clock supported by the set specifications on the IE-178048-NS-EM1. First mount the resonator on the parts board, then attach the parts board to the IE-178048-NS-EM1. This method is useful when using a different frequency from that of the pre-mounted clock.

Figure 3-5. When Using User-Mounted Clock

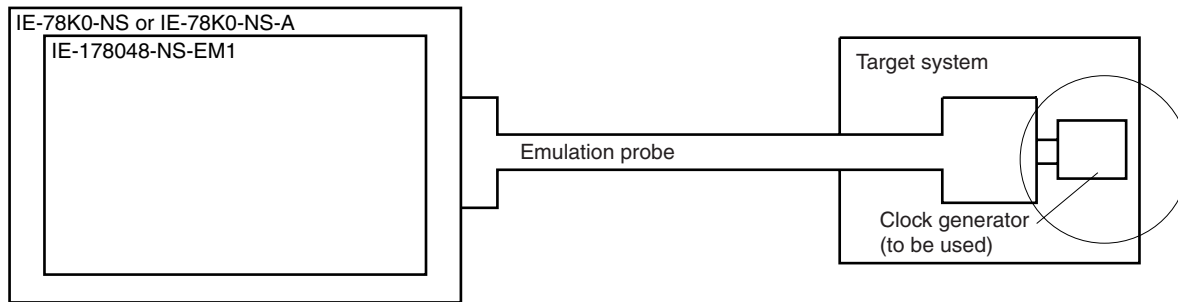


Remark The clock that is supplied by the IE-178048-NS-EM1's resonator (encircled in the figure) is used.

(3) External clock

An external clock connected to the target system can be used via an emulation probe.

Figure 3-6. When Using an External Clock



Remark The clock supplied by the target system’s clock generator (encircled in the figure) is used.

3.2.2 Main system clock settings

Table 3-1. Main System Clock Settings

Frequency of Main System Clock		IE-178048-NS-EM1	CPU Clock Source Selection (ID)
		Parts Board (mainCLK)	
When using clock that is already mounted on emulation board	5 MHz	Oscillator used	Internal
When using clock mounted by user	Other than 5 MHz	Oscillator assembled by user	
When using external clock			Oscillator not used

Caution When using an external clock, open the configuration dialog box when starting the integrated debugger (ID78K0-NS) and select “External” in the area (Clock) for selecting the CPU’s clock source (this selects the user’s clock).

Remark The IE-178048-NS-EM1’s factory settings are those listed above under “when using clock that is already mounted on emulation board”.

(1) When using clock that is already mounted on emulation board

When the IE-178048-NS-EM1 is shipped, a 5 MHz crystal oscillator is already mounted in the IE-178048-NS-EM1’s mainCLK socket. When using the factory-set mode settings, no hardware settings are required.

When starting the integrated debugger (ID78K0-NS), open the configuration dialog box and select “Internal” in the area (Clock) for selecting the CPU’s clock source (this selects the emulator’s internal clock).

(2) When using clock mounted by user

Perform the settings described under either (a) or (b), depending on the type of clock to be used. When starting the integrated debugger (ID78K0-NS), open the configuration dialog box and select "Internal" in the area (Clock) for selecting the CPU's clock source (this selects the emulator's internal clock).

(a) When using a ceramic resonator or crystal resonator

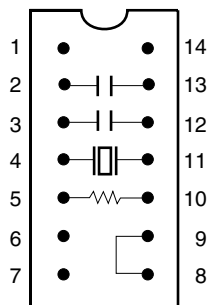
- Items to be prepared
 - Parts board
 - Ceramic resonator or crystal resonator
 - Resistor Rx
- Capacitor CA
- Capacitor CB
- Solder kit

<Steps>

- <1> Solder the target ceramic resonator or crystal resonator, resistor Rx, capacitor CA, and capacitor CB (all with a suitable oscillation frequency) onto the parts board (as shown below).

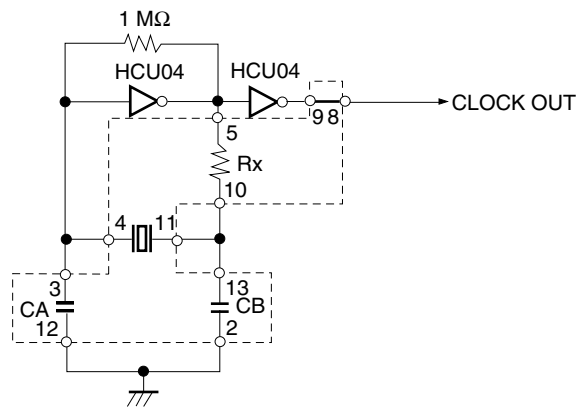
Figure 3-7. Connections on Parts Board (When Using Main System Clock or User-Mounted Clock)

Parts board (mainCLK)



Pin No.	Connection
2-13	Capacitor CB
3-12	Capacitor CA
4-11	Ceramic resonator or crystal resonator
5-10	Resistor Rx
8-9	Short

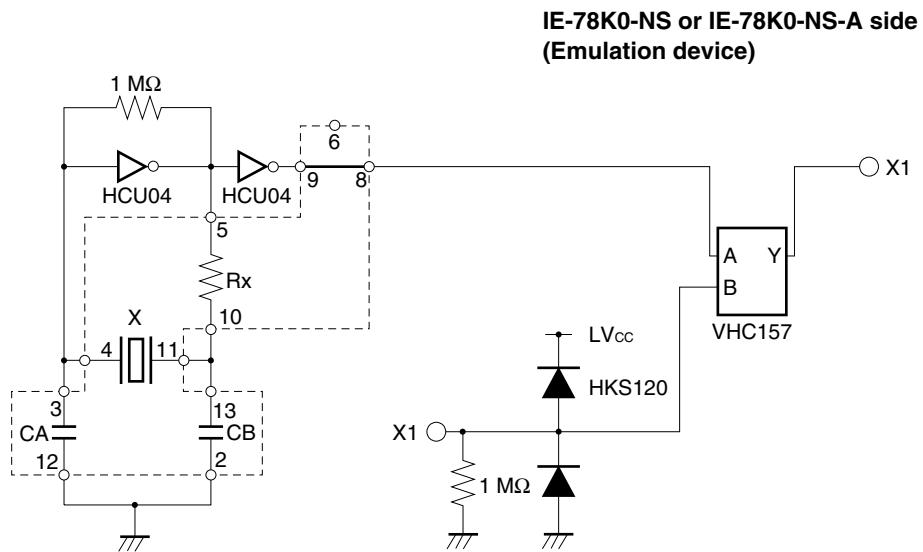
Circuit diagram



Remark The sections enclosed in broken lines indicate parts that are attached to the parts board.

- <2> Prepare the IE-178048-NS-EM1.
- <3> Remove the crystal oscillator that is mounted in the IE-178048-NS-EM1's socket (the socket marked as mainCLK).
- <4> Connect the parts board (from <1> above) to the socket (mainCLK) from which the crystal oscillator was removed (in <3> above). Check the pin 1 mark to make sure the board is mounted in the correct direction.
- <5> Make sure that the parts board mounted in the mainCLK socket on the emulation board is wired as shown in Figure 3-7 above.
- <6> Connect the IE-178048-NS-EM1 to the IE-78K0-NS or IE-78K0-NS-A.

The above steps configure the following circuit and enable supply of the clock from the mounted resonator to the emulation device.

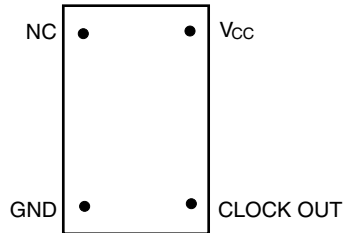


Remark The sections enclosed in broken lines indicate parts that are attached to the parts board.

(b) When using a crystal oscillator

- Items to be prepared
 - Crystal oscillator (see pinouts shown in Figure 3-8)

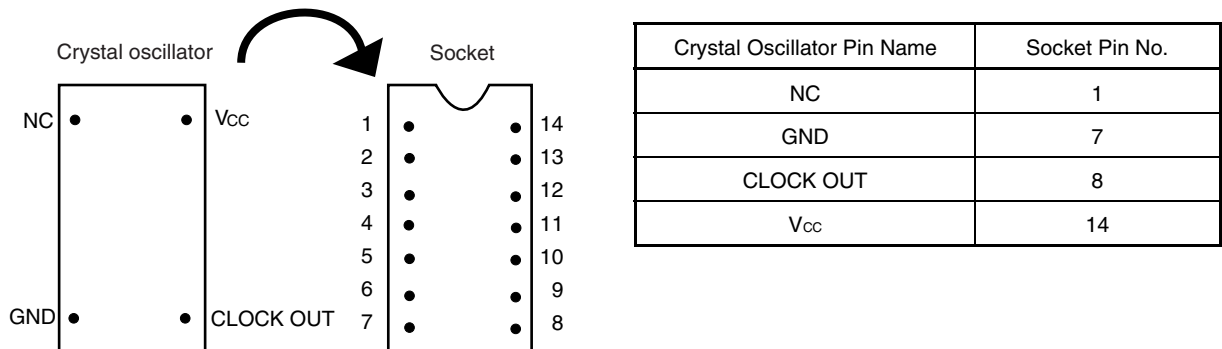
Figure 3-8. Crystal Oscillator (When Using Main System Clock or User-Mounted Clock)



<Steps>

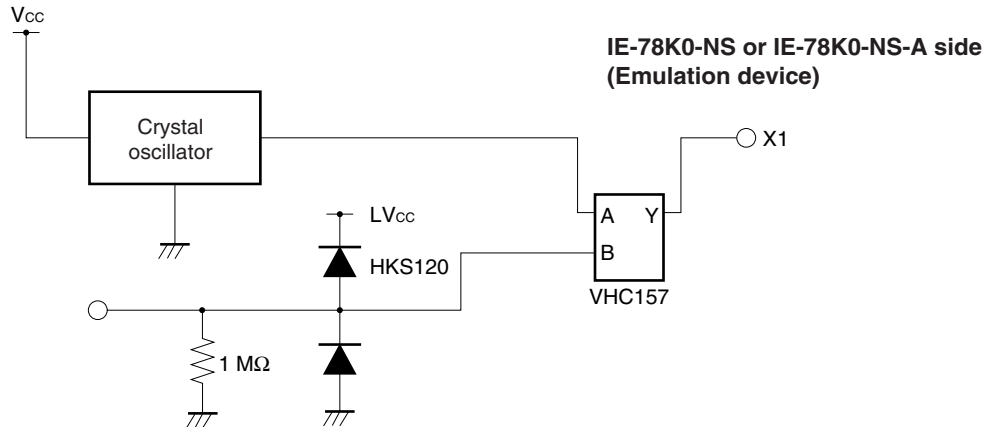
- <1> Prepare the IE-178048-NS-EM1.
- <2> Remove the crystal oscillator that is mounted in the IE-178048-NS-EM1's socket (the socket marked as mainCLK).
- <3> Connect a crystal oscillator to the socket (mainCLK) from which the crystal oscillator was removed (in <2> above). Insert the crystal oscillator pins into the socket pins as shown in the figure below.

Figure 3-9. Pin Alignment of Crystal Oscillator and Socket



- <4> Connect the IE-178048-NS-EM1 to the IE-78K0-NS or IE-78K0-NS-A.

The above steps configure the following circuit and enable supply of the clock from the mounted resonator to the emulation device.



(3) When using external clock

No hardware settings are required for this situation.

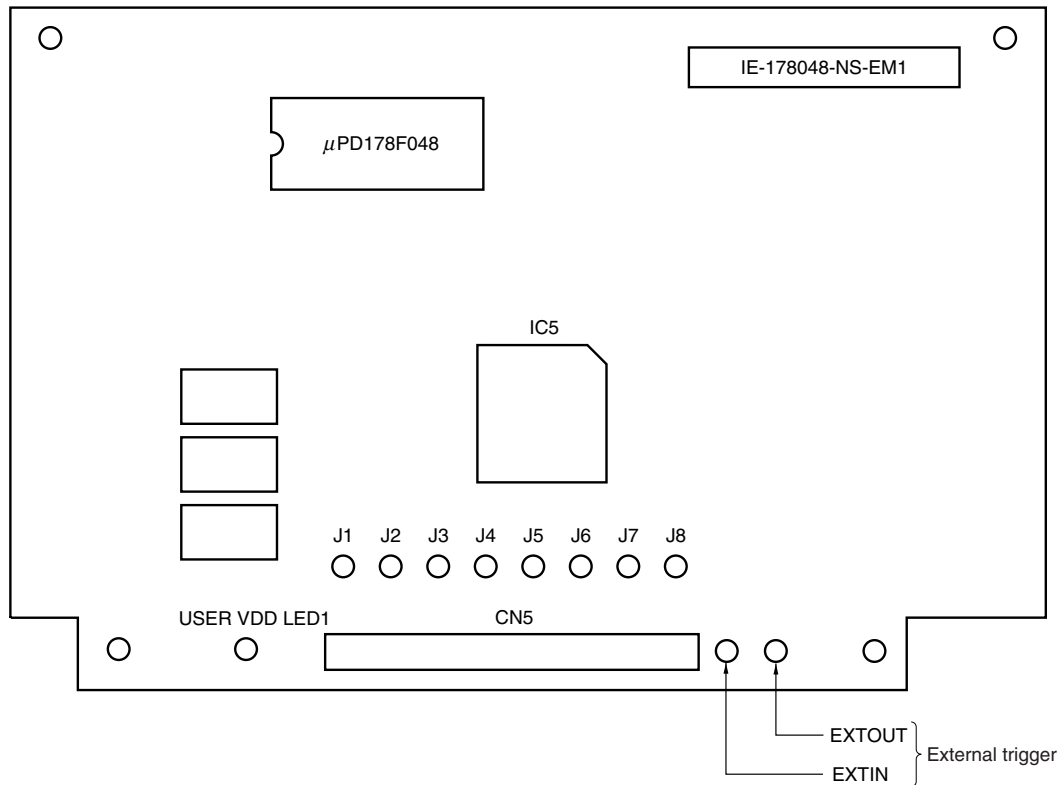
When starting the integrated debugger (ID78K0-NS), open the configuration dialog box and select "External" in the area (Clock) for selecting the CPU's clock source (this selects the user's clock).

3.3 External Trigger

Connect the external trigger to the IE-178048-NS-EM1's check pins EXTOUT and EXTIN as shown below.

See **ID78K Series Integrated Debugger Ver. 2.30 or Later Operation Manual (Windows Based) (U15185E)** for descriptions of related use methods. See **IE-78K0-NS User's Manual (U13731E)** or **IE-78K0-NS-A User's Manual (U14889E)** for pin characteristics.

Figure 3-10. External Trigger Input Position



3.4 Jumper Settings on IE-78K0-NS

When using the IE-178048-NS-EM1, set the jumpers on the IE-78K0-NS as follows. For details of these jumper settings, refer to **IE-78K0-NS User's Manual (U13731E)**.

Caution If the jumper is set incorrectly, the board may be damaged.

Table 3-2. Jumper Settings on IE-78K0-NS

	JP2	JP3	JP4	JP6	JP7	JP8
Setting	2 to 3 shorted	1 to 2 shorted	1 to 2 shorted	3 to 4 shorted	1 to 2 shorted	1 to 2 shorted

3.5 Jumper Settings on IE-78K0-NS-A

When using the IE-178048-NS-EM1 in combination with the IE-78K0-NS-A, set the jumper on the IE-78K0-NS-A as follows. For details of these jumper positions, refer to **IE-78K0-NS-A User's Manual (U14889E)**.

Caution If the jumper is set incorrectly, the board may be damaged.

Table 3-3. Jumper Settings on IE-78K0-NS-A G-780009 Board

	JP2	JP3	JP4	JP6	JP7	JP8
Setting	2 to 3 shorted	1 to 2 shorted	1 to 2 shorted	3 to 4 shorted	1 to 2 shorted	1 to 2 shorted

Table 3-4. Jumper Settings on IE-78K0-NS-A G-78K0H Option Board

	JP2
Setting	2 to 3 shorted

3.6 Low-Voltage Emulation Setting

When the target system is operating on low voltage, supply the same voltage as the target system to the TP1 terminal pin on the main board (G-780009 Board) of the IE-78K0-NS or IE-78K0-NS-A (this is unnecessary when target system is operating on 5 V).

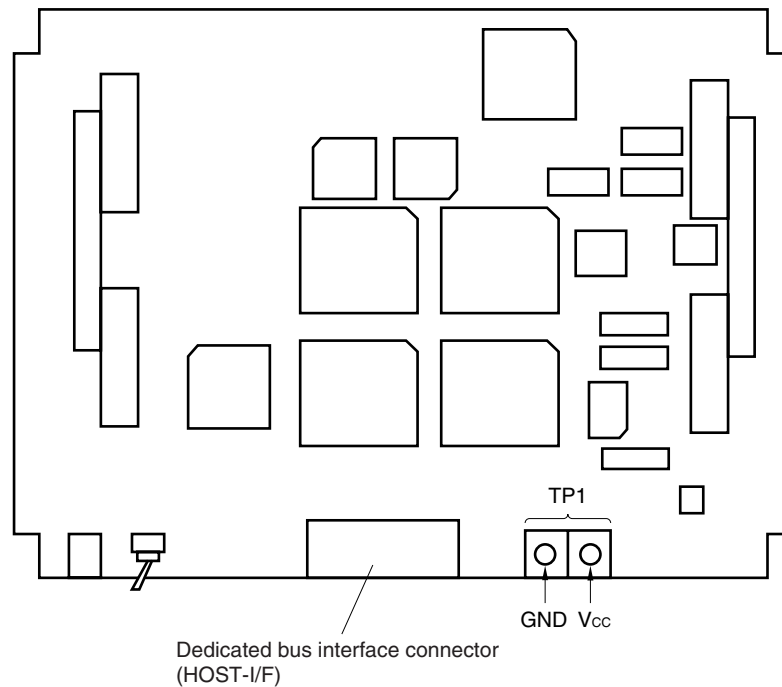
Set the supply voltage of the target system to $3.3 \pm 0.2 \text{ V}$ to $5.0 \text{ V} \pm 10\%$.

Caution To emulate at 4.5 V or lower, first start at 5 V, and then lower the target system voltage.

Table 3-5. Power Supply Voltage and Maximum Current Consumption During Low-Voltage Emulation

Supply Voltage to TP1	Maximum Current Consumption of TP1
$3.3 \pm 0.2 \text{ V}$ to $5.0 \text{ V} \pm 10\%$	300 mA

Figure 3-11. Main Board (G-780009 Board) of IE-78K0-NS or IE-78K0-NS-A



CHAPTER 4 DIFFERENCES BETWEEN TARGET DEVICES AND TARGET INTERFACE CIRCUITS

This chapter describes differences between the target device's signal lines and the signal lines of the IE-178048-NS-EM1's target interface circuit.

Although the target device is a CMOS circuit, the IE-178048-NS-EM1's target interface circuit consists of an emulation CPU, TTL, CMOS-IC, and other components.

When the IE system is connected with the target system for debugging, the IE system performs emulation so as to operate as the actual target device would operate in the target system.

However, some minor differences exist since the operations are performed via the IE system's emulation.

- (1) Signals input to or output from the emulation CPU (μ PD178F048)
- (2) Signals input to or output from the emulation CPU (μ PD780009)
- (3) Signals input to or output from the FPGA (EPFI0K50)
- (4) Other signals

The IE system's circuit is used as follows for signals listed in (1) to (4) above.

(1) Signals input to or output from the emulation CPU (μ PD178F048)

See **Figure 4-1 Equivalent Circuit 1 of Emulation Circuit.**

- P00 to P03
- P10 to P13
- P20 to P23
- P70 to P77
- P130 to P134

(2) Signals input to or output from the emulation CPU (μ PD780009)

See **Figure 4-2 Equivalent Circuit 2 of Emulation Circuit.**

- $\overline{\text{RESET}}$
- X1
- P40 to P47
- P50 to P54
- P60 to P67

(3) Signals input to or output from the FPGA (EPFI0K50)

See **Figure 4-3 Equivalent Circuit 3 of Emulation Circuit.**

- J1 ($\overline{\text{VSYNC}}$)
- J2 ($\overline{\text{HSYNC}}$)
- J3 (R)
- J4 (G)
- J5 (B)
- J6 (I)
- J8 (BLANK)

(4) Other signals

See **Figure 4-4 Equivalent Circuit 4 of Emulation Circuit.**

- $USERV_{DD}$ (V_{DDPORT})
- $GND00$, $GND01$, $GND10$, $GND11$, $GNDPORT$
- $VSYNC$, $HSYNC$, R, G, B, I, BLANK
- J7

Figure 4-1. Equivalent Circuit 1 of Emulation Circuit

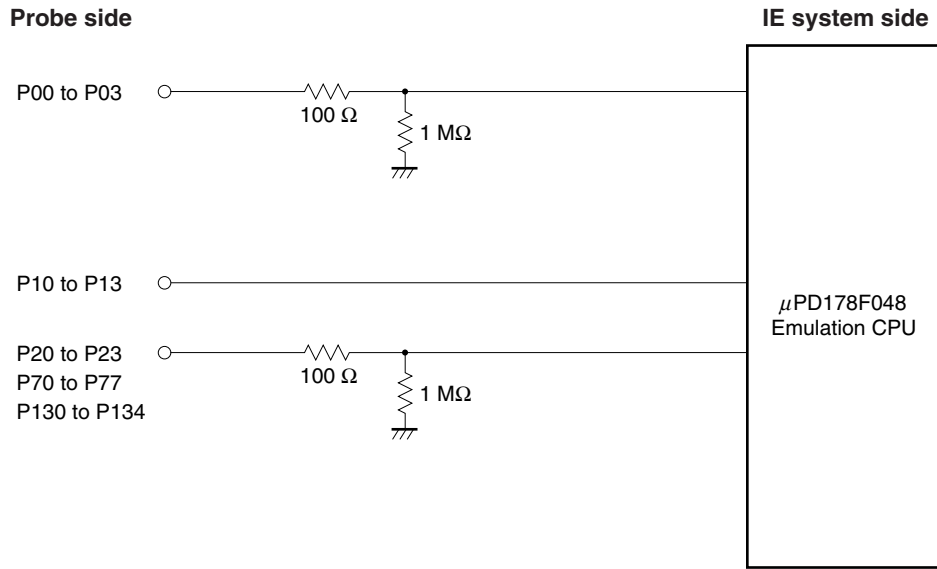


Figure 4-2. Equivalent Circuit 2 of Emulation Circuit

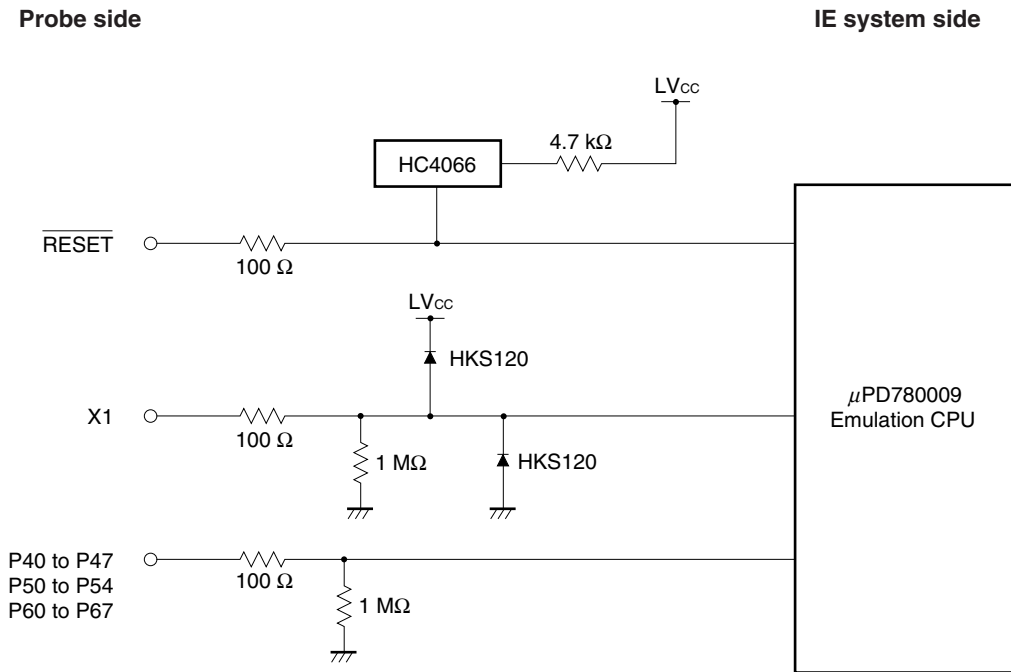


Figure 4-3. Equivalent Circuit 3 of Emulation Circuit

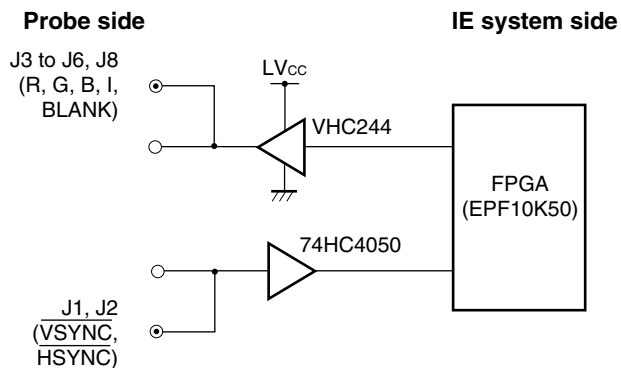
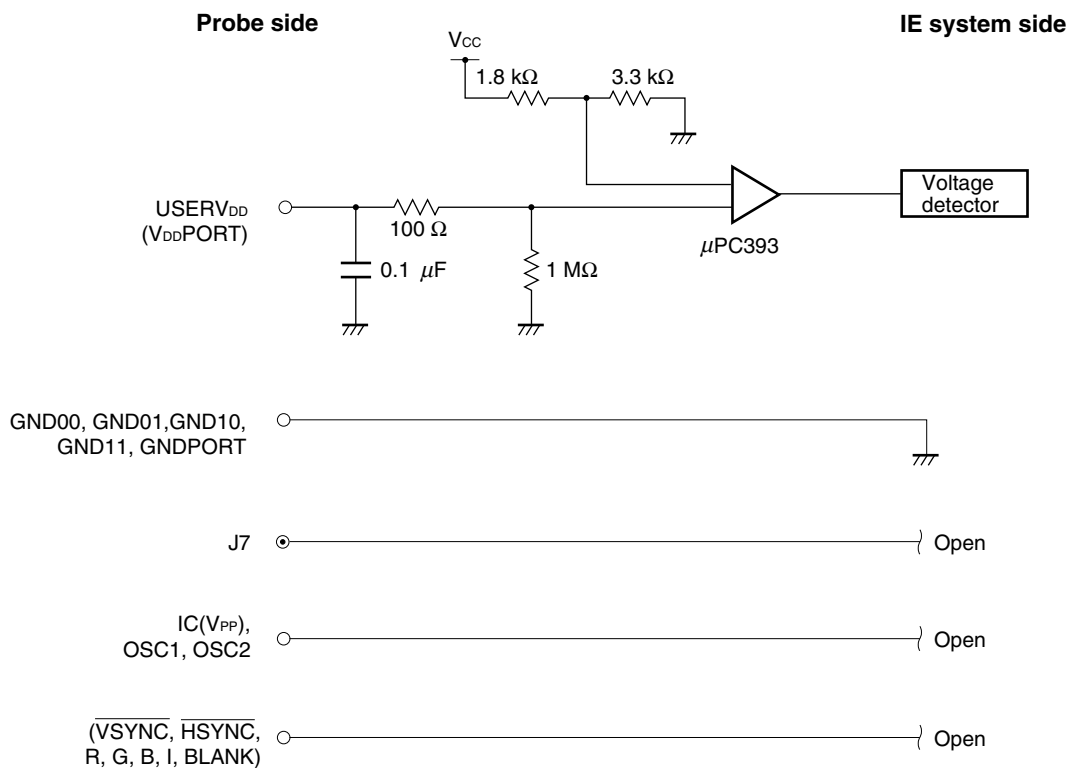


Figure 4-4. Equivalent Circuit 4 of Emulation Circuit



APPENDIX A EMULATION PROBE PIN ASSIGNMENT TABLE

Table A-1. NP-64CW/H64CW Pin Assignments

Emulation Probe	CN5 Pin No.	Emulation Probe	CN5 Pin No.
1	29	33	91
2	24	34	98
3	23	35	97
4	20	36	102
5	19	37	101
6	16	38	106
7	15	39	105
8	43	40	77
9	44	41	78
10	47	42	73
11	48	43	74
12	51	44	69
13	52	45	70
14	57	46	63
15	58	47	64
16	59	48	61
17	60	49	62
18	55	50	65
19	56	51	66
20	49	52	71
21	50	53	72
22	45	54	75
23	46	55	76
24	14	56	108
25	13	57	107
26	18	58	104
27	17	59	103
28	22	60	100
29	21	61	99
30	28	62	94
31	27	63	93
32	92	64	30

- Remarks**
1. The NP-64CW/H64CW are products of Naito Densei Machida Mfg. Co., Ltd.
 2. The numbers in the “Emulation probe” column indicate the corresponding pin number on the emulation probe tip.

Table A-2. NP-80GK/H80GK-TQ Pin Assignments

Emulation Probe	CN2 Pin No.	Emulation Probe	CN2 Pin No.	Emulation Probe	CN2 Pin No.
1	114	28	57	55	102
2	113	29	58	56	101
3	108	30	59	57	106
4	107	31	60	58	105
5	104	32	55	59	112
6	103	33	56	60	111
7	100	34	49	61	83
8	99	35	50	62	77
9	94	36	45	63	78
10	93	37	46	64	73
11	30	38	41	65	74
12	29	39	42	66	69
13	24	40	35	67	70
14	23	41	8	68	63
15	20	42	7	69	64
16	19	43	14	70	61
17	16	44	13	71	62
18	15	45	18	72	65
19	10	46	17	73	66
20	9	47	22	74	71
21	37	48	21	75	72
22	43	49	28	76	75
23	44	50	27	77	76
24	47	51	92	78	79
25	48	52	91	79	80
26	51	53	98	80	85
27	52	54	97	–	–

- Remarks**
1. The NP-80GK/H80GK-TQ are products of Naito Densai Machida Mfg. Co., Ltd.
 2. The numbers in the “Emulation probe” column indicate the corresponding pin number on the emulation probe tip.
 3. The numbers in the “CN2 Pin No.” column indicate the corresponding pin number of CN2 on the 178048 PROBE Board.

APPENDIX B NOTES ON TARGET SYSTEM DESIGN

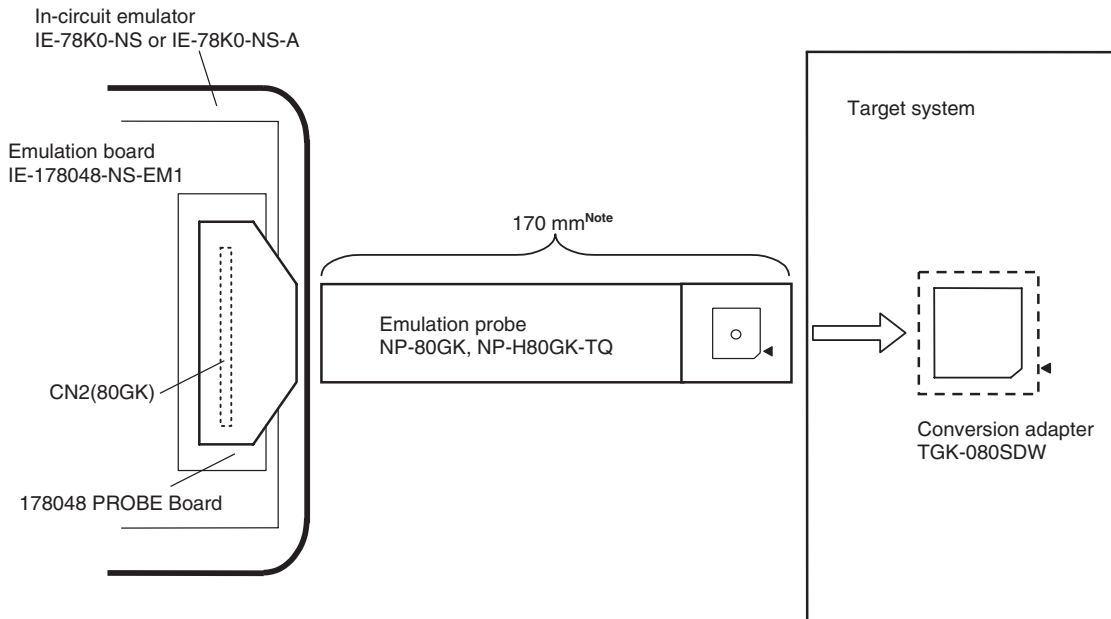
The following shows a diagram of the connection conditions between the emulation probe and conversion adapter or IC socket. Design your system making allowances for conditions such as the form of parts mounted on the target system, as shown below.

Of the products described in this chapter, the NP-80GK, NP-H80GK-TQ, NP-64CW, and NP-H64CW are from Naito Densai Machida Mfg. Co., Ltd, and the TKG-080SDW is from TOKYO ELETECH CORPORATION.

Table B-1. Distance Between IE System and Conversion Adapter or IC Socket

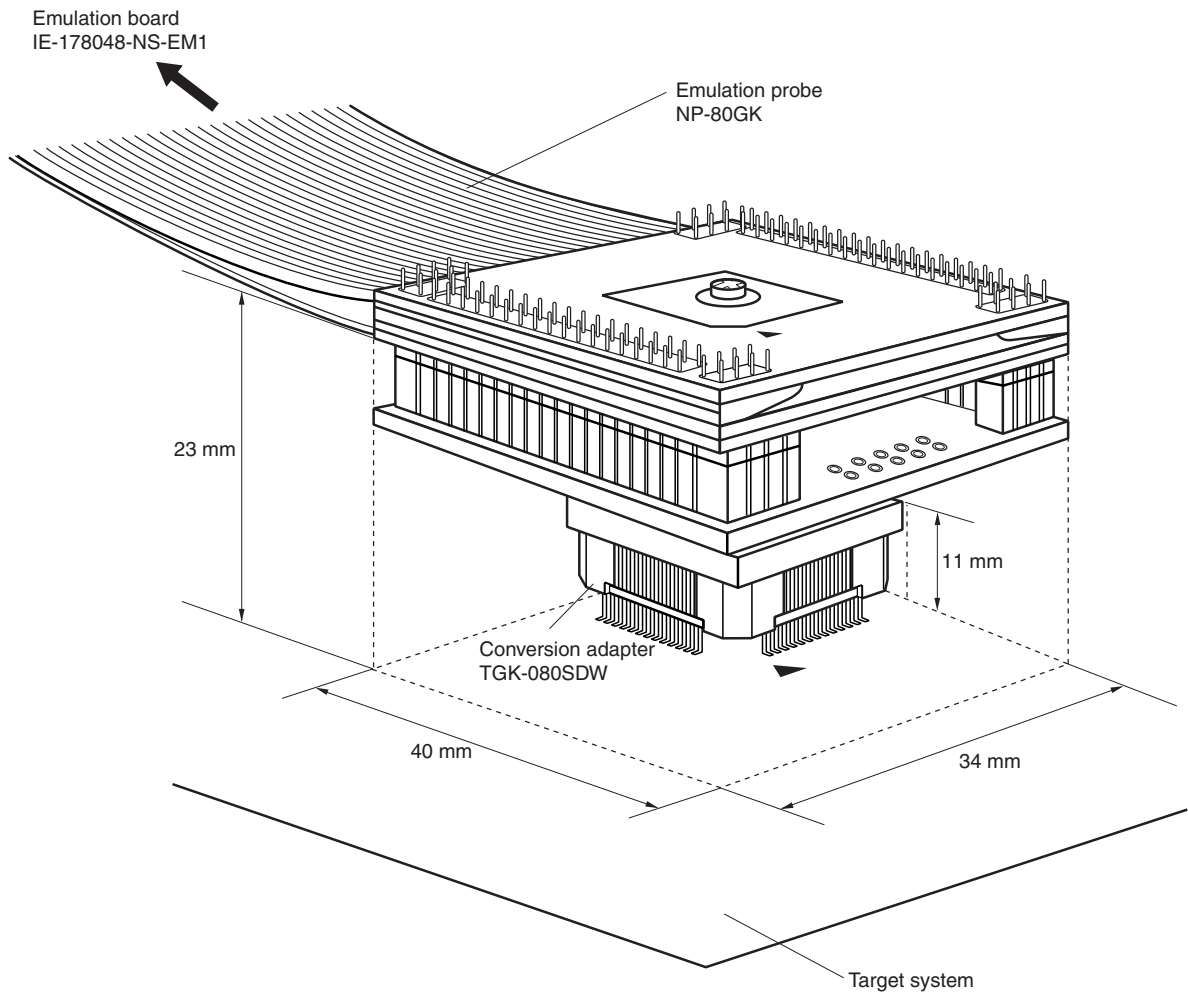
Emulation Probe	Conversion Adapter	Distance Between IE System and Conversion Adapter or IC Socket
NP-80GK	TKG-080SDW	170 mm
NP-H80GK-TQ	TKG-080SDW	370 mm
NP-64CW	-	170 mm
NP-H64CW	-	370 mm

Figure B-1. Distance Between IE System and Conversion Adapter (When Using NP-80GK/H80GK-TQ)



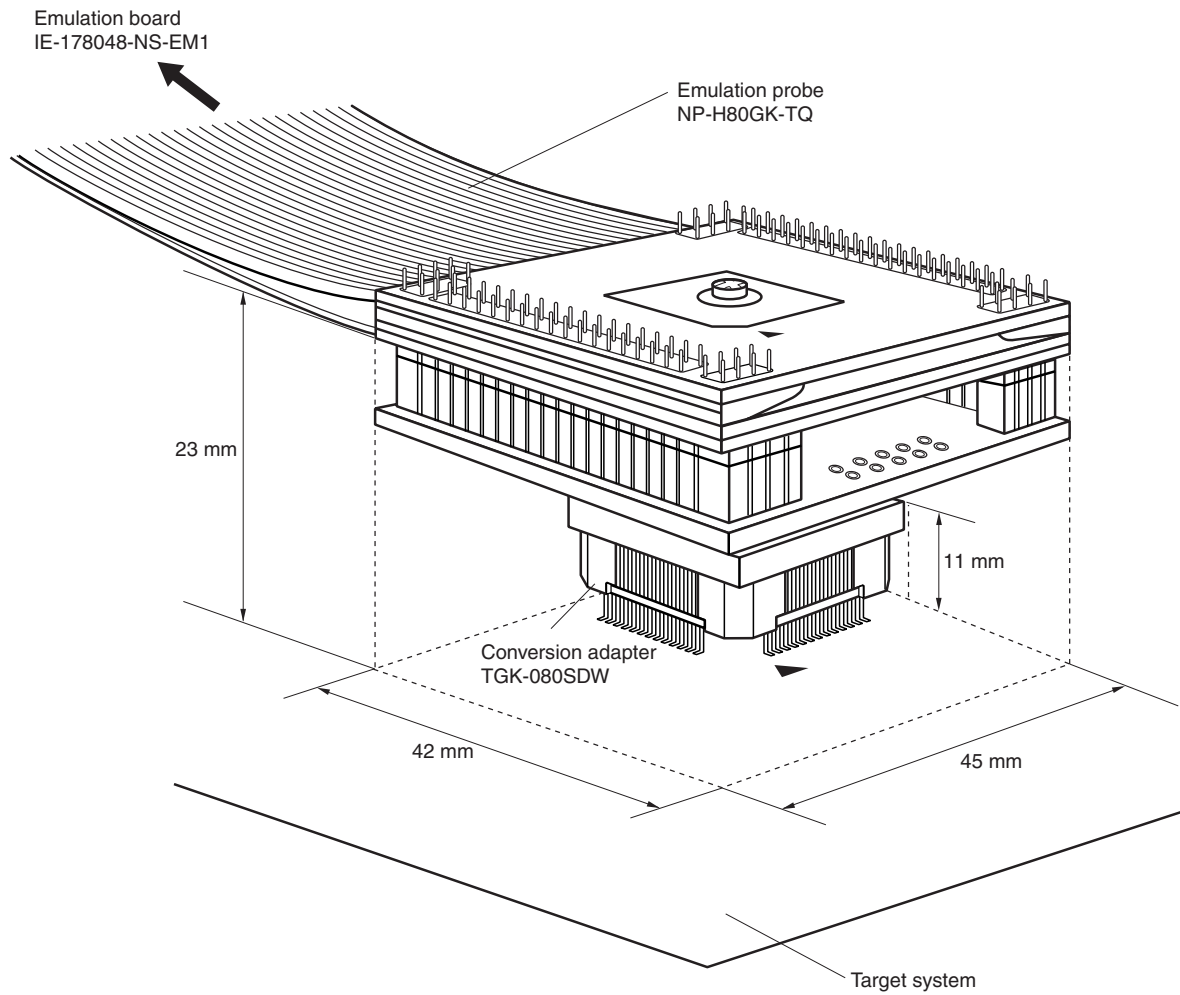
Note Distance when using NP-80GK. This is 370 mm when using NP-H80GK-TQ.

Figure B-2. Connection Conditions of Target System (When Using NP-80GK)



Remark The body size of the TGK-080SDW is 18 × 18 mm.

Figure B-3. Connection Conditions of Target System (When Using NP-H80GK-TQ)



Remark The body size of the TGK-080SDW is 18 × 18 mm.

Figure B-4. Distance Between IE System and IC Socket (When Using NP-64CW)

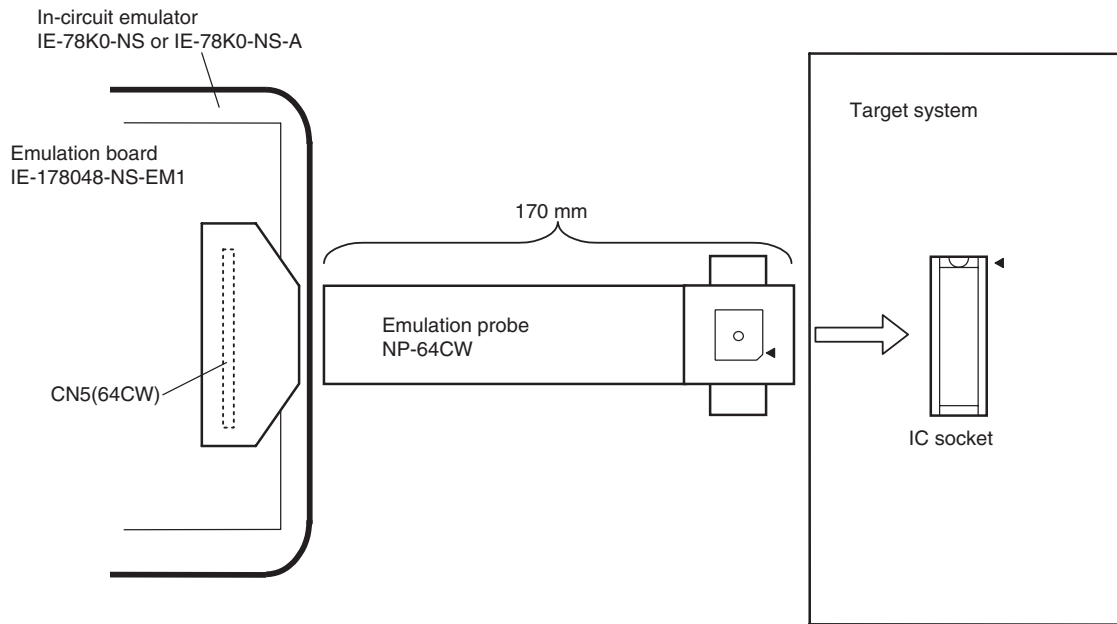


Figure B-5. Connection Conditions of Target System (When Using NP-64CW)

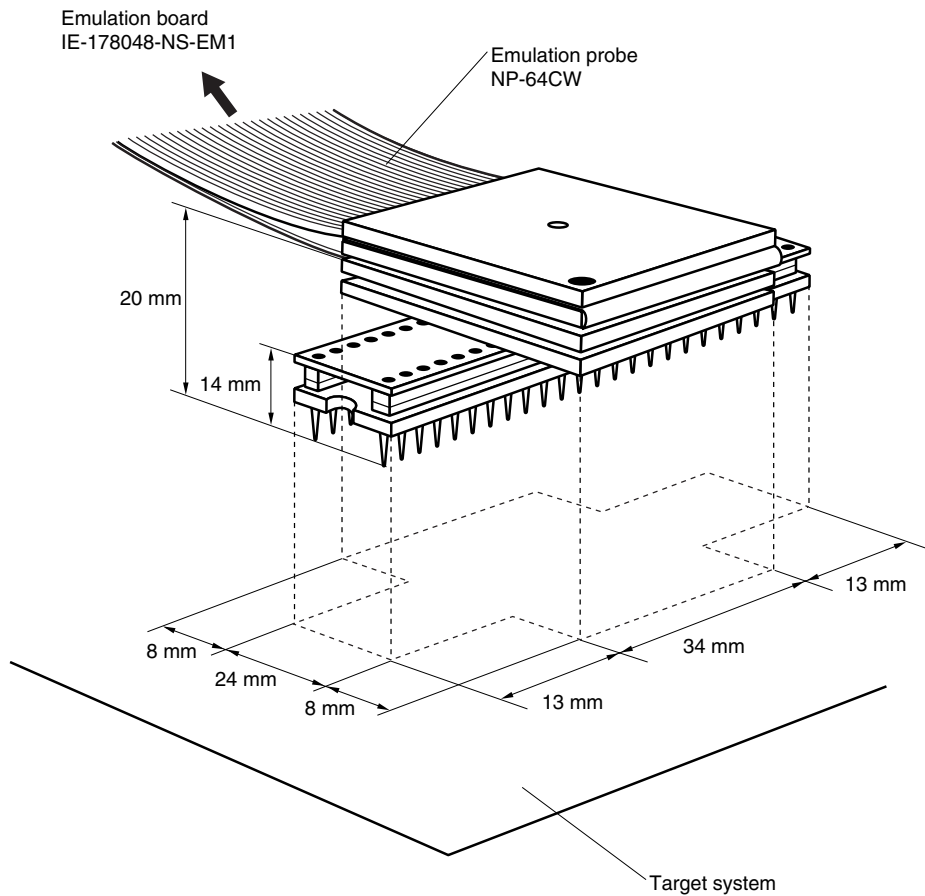


Figure B-6. Distance Between IE System and IC Socket (When Using NP-H64CW)

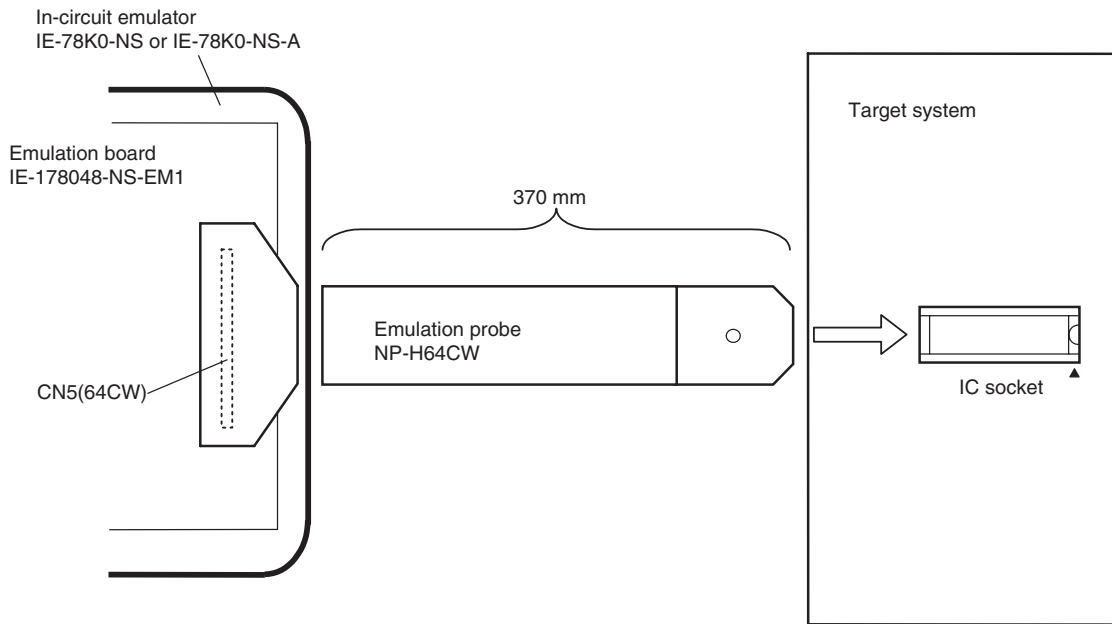
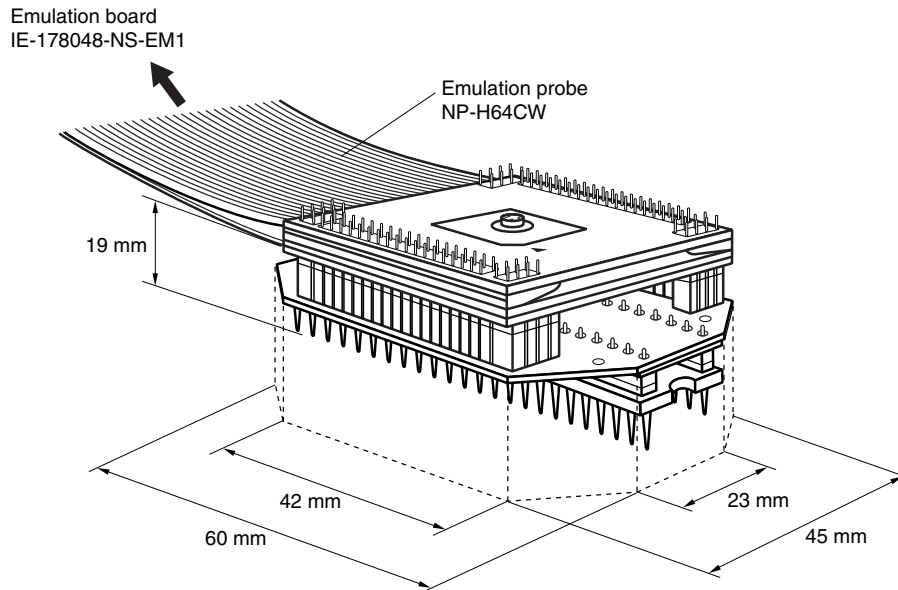


Figure B-7. Connection Conditions of Target System (When Using NP-H64CW)



[MEMO]

[MEMO]

Facsimile Message

Although NEC has taken all possible steps to ensure that the documentation supplied to our customers is complete, bug free and up-to-date, we readily accept that errors may occur. Despite all the care and precautions we've taken, you may encounter problems in the documentation. Please complete this form whenever you'd like to report errors or suggest improvements to us.

From:

Name

Company

Tel.

FAX

Address

Thank you for your kind support.

North America

NEC Electronics Inc.
Corporate Communications Dept.
Fax: +1-800-729-9288
+1-408-588-6130

Hong Kong, Philippines, Oceania

NEC Electronics Hong Kong Ltd.
Fax: +852-2886-9022/9044

Taiwan

NEC Electronics Taiwan Ltd.
Fax: +886-2-2719-5951

Europe

NEC Electronics (Europe) GmbH
Market Communication Dept.
Fax: +49-211-6503-274

Korea

NEC Electronics Hong Kong Ltd.
Seoul Branch
Fax: +82-2-528-4411

Asian Nations except Philippines

NEC Electronics Singapore Pte. Ltd.
Fax: +65-250-3583

South America

NEC do Brasil S.A.
Fax: +55-11-6462-6829

P.R. China

NEC Electronics Shanghai, Ltd.
Fax: +86-21-6841-1137

Japan

NEC Semiconductor Technical Hotline
Fax: +81-44-435-9608

I would like to report the following error/make the following suggestion:

Document title: _____

Document number: _____ Page number: _____

If possible, please fax the referenced page or drawing.

Document Rating	Excellent	Good	Acceptable	Poor
Clarity	<input type="checkbox"/>	<input type="checkbox"/>	<input type="checkbox"/>	<input type="checkbox"/>
Technical Accuracy	<input type="checkbox"/>	<input type="checkbox"/>	<input type="checkbox"/>	<input type="checkbox"/>
Organization	<input type="checkbox"/>	<input type="checkbox"/>	<input type="checkbox"/>	<input type="checkbox"/>