

Intelligent Power Device

IPD Evaluation Board EV-IPD252 User Guide

Introduction

This user guide describes the configuration and usage of the EV-IPD252 evaluation board for IPD products in TO-252 package.

The EV-IPD252 board is designed for quick evaluation of Renesas IPDs and is not intended to evaluate or guarantee all the characteristics of the IPD products it is equipped with.



Target Device

Renesas Electronics IPD High Current Operation series

uPD166033T1U, uPD166034T1U, uPD166031AT1U, uPD166032T1U, RAJ2810024H12HPD

Contents

1.	EV-IPD252 Evaluation Board overview.....	2
1.1	Board Name	2
2.	PCB specification	3
3.	Connections	3
4.	Jumper pin setting for each IPD.....	4
5.	Schematics.....	5
6.	Parts list.....	6
7.	Snubber circuit for RAJ2810024H12HP	7
8.	Reference document	7
	Revision History.....	8

1. EV-IPD252 Evaluation Board overview

EV-IPD252 is a board for quick evaluation of Renesas' IPD products in TO-252 package. The boards are equipped with the necessary connectors and jumpers for evaluation, allowing customers to start evaluation early, before developing their own boards for target products. The IPD products mounted on this evaluation board are working samples and its quality is not guaranteed.

1.1 Board Name

The board name is marked on the board to identify the device it is equipped with.

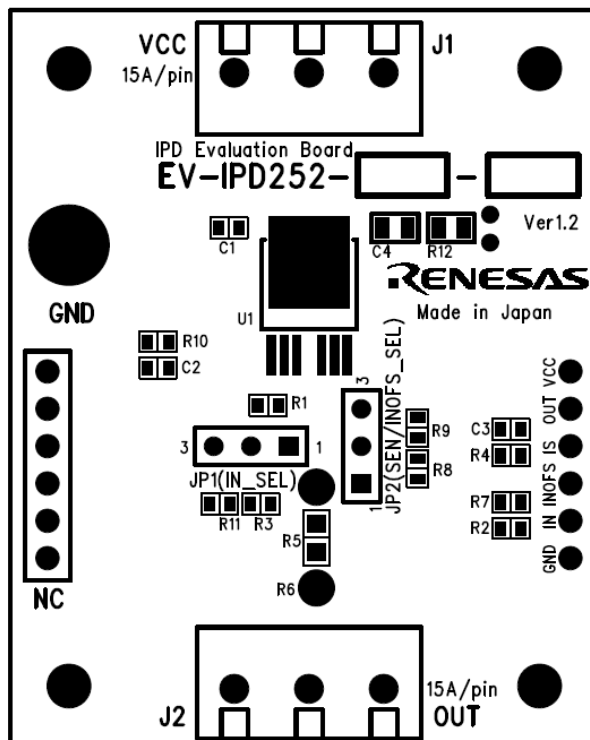
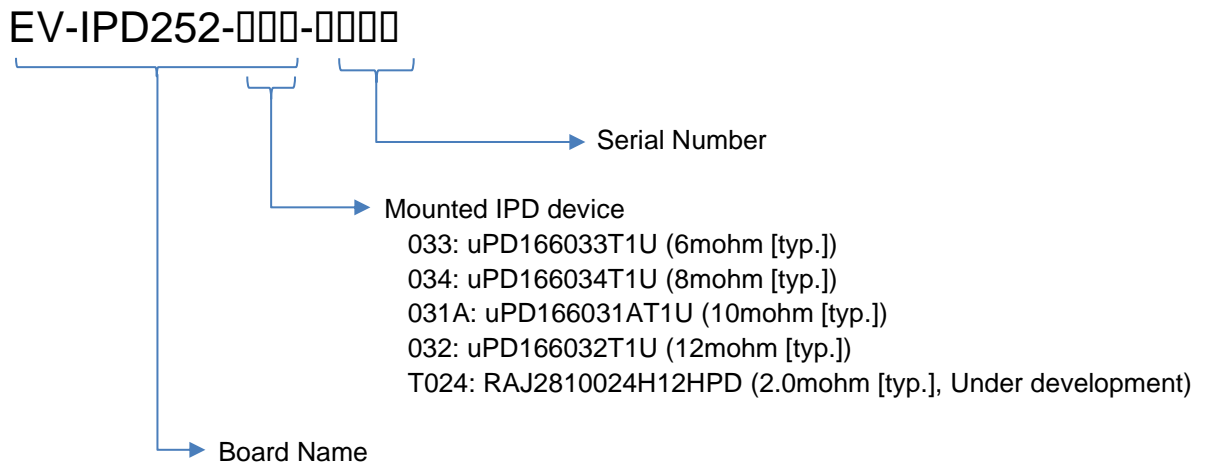


Figure 1. Layout of EV-IPD252 board

2. PCB specification

EV-IPD252 uses an automotive grade PCB. The board size and number of layers are as below.

Parameter	Value
Board size	50.0 mm x 40.0 mm
Thickness of Cu layer	35 μ m
Cu layer numbers	2
Board material	FR4

Table 1. PCB specification

3. Connections

EV-IPD252 is equipped with a connector and test pins to evaluate the on-board IPD. Please refer to the following table for the description of each and precautions for use.

Connector	Pin count	Function
J1 ^{*1}	1-3	J1 is the VCC power supply pin; one pin can handle a 15A current, so connect the appropriate number of wires according to the evaluation conditions. It is designed to handle currents up to 45A with maximum three wires connections.
J2 ^{*1}	1-3	J2 is the OUTPUT pin; one pin can handle a 15A current, so connect the appropriate number of wires according to the evaluation conditions. It is designed to handle currents up to 45A with maximum three wires connections.
TP-GND	1	This pin is used to monitor GND.
TP-IN	1	This pin is used to control the IN pin that controls the state of the mounted IPD from an external MCU board or power supply.
TP-INOFS/SEN	1	This test pin is connected to the 6th pin of the mounted IPD. This test pin is connected to the SEN pin in the uPD1660xx family and to the INOFS pin in the RAJ2810024.
TP-IS	1	This test pin is connected to the IS pin of IPD. It allows to know the sense current and protection/diagnostic results.
TP-OUT	1	This pin is used for monitoring the OUT signal. This test pin is for checking, so do not connect any load to this pin.
TP-VCC	1	This pin is for monitoring VCC. Please do not use this test pin as a power supply input for VCC.
JX	1-7	Test pin, Not connected
GND pad	1	GND is connected by a wire, winding it up and tightening it with an M3 bolt and nut.

Note1: The jumpers on the board should be operated when the power to the EV-IPD252 board is turned off.

Table 2. PCB specification

4. Jumper pin setting for each IPD

The pin assignment differs depending on the mounted IPD. EV-IPD252 is designed to allow evaluation of different pin out product with jumper settings.

JP	Setting	Mounted IPD	Description
JP1	1-2	All	By connecting an external power supply or MCU board to TO-IN, it is possible to control ON/OFF of the on-board IPD from outside.
	2-3		Jumper setting to set the IN pin to high level from the power supplied to VCC. This setting is used when this board is used by itself without external control signals.
	Open		By setting JP1 to the open state, IPD stops outputting. This setting is used when this board is used by itself without external control signals.
JP2	1-2	uPD1660xxT1U	By connecting an external power supply or MCU board to TO-INOFS/SEN, it is possible to provide high level to on-board IPD's SEN pin (6 th pin).
		RAJ2810024H12HPD	By connecting an external power supply or MCU board to TO-INOFS/SEN, it is possible to provide high level to on-board IPD's INOFS pin (6 th pin).
	2-3	uPD1660xxT1U	Jumper setting to set the SEN pin to high level from the power supplied to VCC. This setting is used when this board is used by itself without external control signals.
		RAJ2810024H12HPD	Jumper setting to set the INOFS pin to high level from the power supplied to VCC. This setting is used when this board is used by itself without external control signals.
	Open	uPD1660xxT1U	By opening the JP2, SEN input becomes low level due to the built-in resistance of the IPD.
		RAJ2810024H12HPD	By opening the JP2, INOFS input becomes low level due to the built-in resistance of the IPD.

Table 3. Jumper setting

5. Schematics

The EV-IPD252 board schematic is shown below; the N.C. test pins are not described in the schematic.

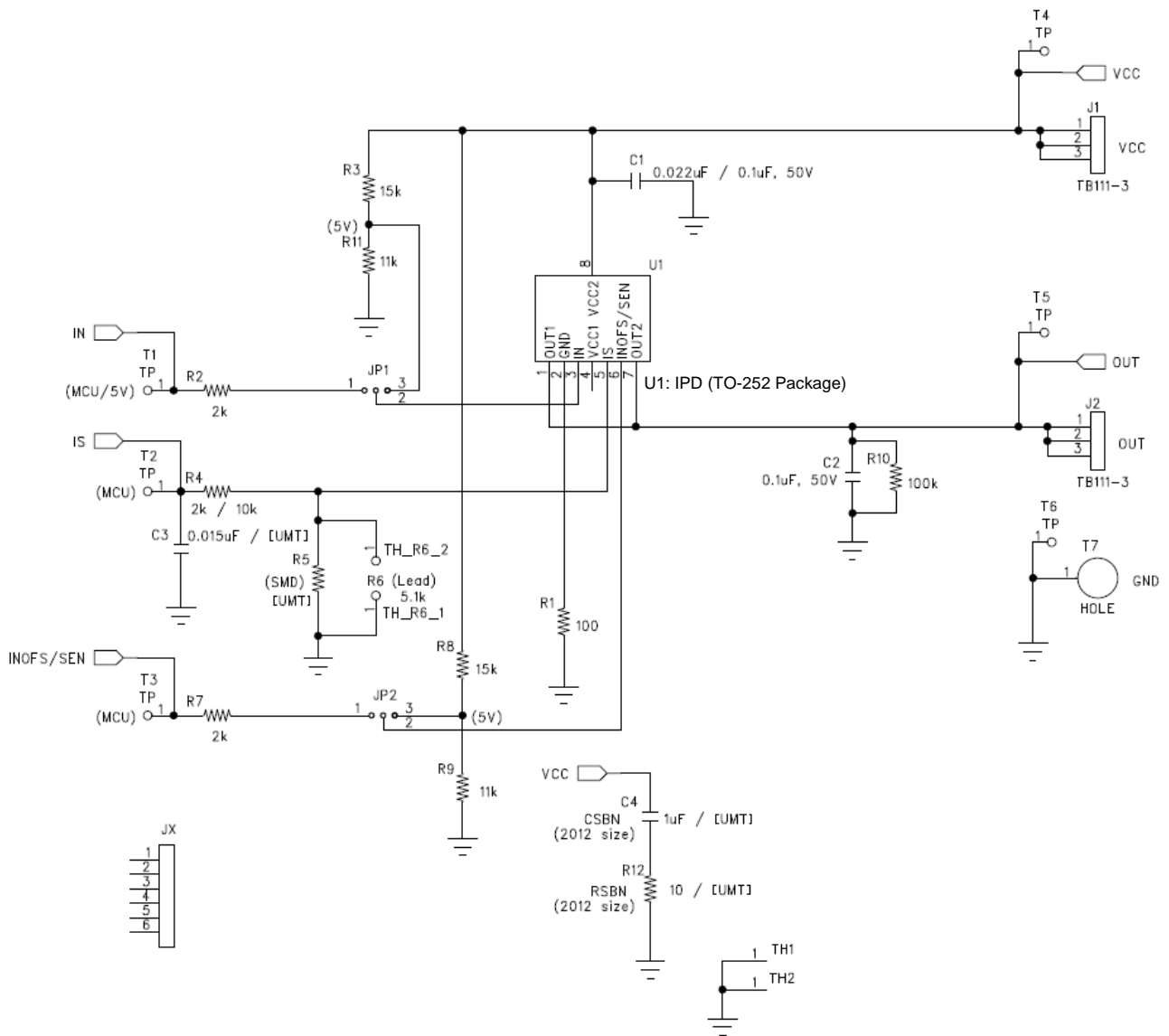


Figure 2. EV-IPD252 schematics

6. Parts list

The following is a list of the components mounted on the EV-IPD252. Some of the mounted components have lower heat resistance than the operating temperature range of IPD. If evaluated in high temperature, remove the parts as necessary.

Symbol	Parts name	Part number	Vendor	Note
U1	Target IPD	uPD166033T1U, uPD166034T1U, uPD166031AT1U, uPD166032T1U, RAJ2810024H12HPD	Renesas	
C1	Multilayer ceramic capacitor	C1608X8R1H223K08AA	Murata	
C2	Multilayer ceramic capacitor	GCM188L81H104KA57D	Murata	
C3	Multilayer ceramic capacitor	VJ0603Y153KXAAC	Vishay Intertechnology, Inc.	
C4	Multilayer ceramic capacitor	GCM188L81H104KA57D Only for RAJ2810024H12HPD	Murata	
JP1	Jumper	XJ8D-0311	OMRON	<105°C
JP2	Jumper	XJ8D-0311	OMRON	<105°C
J1	Terminal block	TB111-2-3-U-1-1	Alphaplus	<115°C
J2	Terminal block	TB111-2-3-U-1-1	Alphaplus	<115°C
R1	SMT chip resistor	RMC1/16-101J TP	Kamaya elec.	
R2	SMT chip resistor	RMC1/16-202J TP	Kamaya elec.	
R3	SMT chip resistor	RMC1/16K153F TP	Kamaya elec.	
R4	SMT chip resistor	RMC1/16-202J TP	Kamaya elec.	
R5	SMT chip resistor	Not mount		
R6(socket)		RI-1S/O-SG/7.43 5.1K ohm resistor is mounted on this socket	Useconn	
R7	SMT chip resistor	RMC1/16-202J TP	Kamaya elec.	
R8	SMT chip resistor	RMC1/16K153F TP	Kamaya elec.	
R9	SMT chip resistor	RMC1/16-113J TP	Kamaya elec.	
R10	SMT chip resistor	RMC1/16-104J TP	Kamaya elec.	
R11	SMT chip resistor	RMC1/16-113J TP	Kamaya elec.	
R12	SMT chip resistor	SG73P2ATTD100J	KOA	
JX	Test pin	Not mount		

Table 4. IPD Evaluation Board EV-IPD252 parts list

7. Snubber circuit for RAJ2810024H12HPD

A snubber circuit is added in the EV-IPD252 Ver1.2 board to prevent the VCC voltage drop below the minimum operating voltage of the IPD due to resonance between the parasitic inductance (L_p) and parasitic resistance (R_p) of the connected loads and harnesses.

Please refer to the RAJ2810024H12HPD datasheet for details on this snubber circuit.

The snubber circuit is unmounted when IPD products other than RAJ2810024H12HPD are mounted.

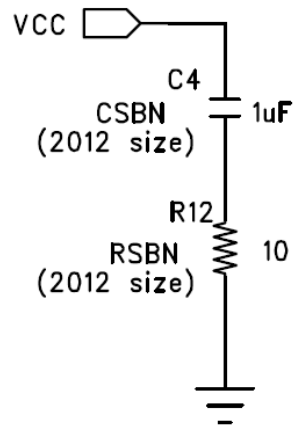


Figure 3. Snubber circuit for RAJ2810024H12HPD

8. Reference document

For the specifications of the IPDs supported by the EV-IPD252 board, please refer to the following datasheet.

Part number	Datasheet document number
uPD166033T1U	R07DS1167JJ0200
uPD166034T1U	R07DS1168JJ0200
uPD166031AT1U	R07DS1308JJ0100
uPD166032T1U	R07DS1166JJ0200
RAJ2810024H12HPD	R07DS1540EJ0100

Table 5. IPD datasheets

Revision History

Rev.	Date	Description	
		Page	Summary
1.00	Apr. 15, 2024	-	First issue

Notice

1. Descriptions of circuits, software and other related information in this document are provided only to illustrate the operation of semiconductor products and application examples. You are fully responsible for the incorporation or any other use of the circuits, software, and information in the design of your product or system. Renesas Electronics disclaims any and all liability for any losses and damages incurred by you or third parties arising from the use of these circuits, software, or information.
2. Renesas Electronics hereby expressly disclaims any warranties against and liability for infringement or any other claims involving patents, copyrights, or other intellectual property rights of third parties, by or arising from the use of Renesas Electronics products or technical information described in this document, including but not limited to, the product data, drawings, charts, programs, algorithms, and application examples.
3. No license, express, implied or otherwise, is granted hereby under any patents, copyrights or other intellectual property rights of Renesas Electronics or others.
4. You shall be responsible for determining what licenses are required from any third parties, and obtaining such licenses for the lawful import, export, manufacture, sales, utilization, distribution or other disposal of any products incorporating Renesas Electronics products, if required.
5. You shall not alter, modify, copy, or reverse engineer any Renesas Electronics product, whether in whole or in part. Renesas Electronics disclaims any and all liability for any losses or damages incurred by you or third parties arising from such alteration, modification, copying or reverse engineering.
6. Renesas Electronics products are classified according to the following two quality grades: "Standard" and "High Quality". The intended applications for each Renesas Electronics product depends on the product's quality grade, as indicated below.

"Standard": Computers; office equipment; communications equipment; test and measurement equipment; audio and visual equipment; home electronic appliances; machine tools; personal electronic equipment; industrial robots; etc.

"High Quality": Transportation equipment (automobiles, trains, ships, etc.); traffic control (traffic lights); large-scale communication equipment; key financial terminal systems; safety control equipment; etc.

Unless expressly designated as a high reliability product or a product for harsh environments in a Renesas Electronics data sheet or other Renesas Electronics document, Renesas Electronics products are not intended or authorized for use in products or systems that may pose a direct threat to human life or bodily injury (artificial life support devices or systems; surgical implantations; etc.), or may cause serious property damage (space system; undersea repeaters; nuclear power control systems; aircraft control systems; key plant systems; military equipment; etc.). Renesas Electronics disclaims any and all liability for any damages or losses incurred by you or any third parties arising from the use of any Renesas Electronics product that is inconsistent with any Renesas Electronics data sheet, user's manual or other Renesas Electronics document.
7. No semiconductor product is absolutely secure. Notwithstanding any security measures or features that may be implemented in Renesas Electronics hardware or software products, Renesas Electronics shall have absolutely no liability arising out of any vulnerability or security breach, including but not limited to any unauthorized access to or use of a Renesas Electronics product or a system that uses a Renesas Electronics product. RENESAS ELECTRONICS DOES NOT WARRANT OR GUARANTEE THAT RENESAS ELECTRONICS PRODUCTS, OR ANY SYSTEMS CREATED USING RENESAS ELECTRONICS PRODUCTS WILL BE INVULNERABLE OR FREE FROM CORRUPTION, ATTACK, VIRUSES, INTERFERENCE, HACKING, DATA LOSS OR THEFT, OR OTHER SECURITY INTRUSION ("Vulnerability Issues"). RENESAS ELECTRONICS DISCLAIMS ANY AND ALL RESPONSIBILITY OR LIABILITY ARISING FROM OR RELATED TO ANY VULNERABILITY ISSUES. FURTHERMORE, TO THE EXTENT PERMITTED BY APPLICABLE LAW, RENESAS ELECTRONICS DISCLAIMS ANY AND ALL WARRANTIES, EXPRESS OR IMPLIED, WITH RESPECT TO THIS DOCUMENT AND ANY RELATED OR ACCOMPANYING SOFTWARE OR HARDWARE, INCLUDING BUT NOT LIMITED TO THE IMPLIED WARRANTIES OF MERCHANTABILITY, OR FITNESS FOR A PARTICULAR PURPOSE.
8. When using Renesas Electronics products, refer to the latest product information (data sheets, user's manuals, application notes, "General Notes for Handling and Using Semiconductor Devices" in the reliability handbook, etc.), and ensure that usage conditions are within the ranges specified by Renesas Electronics with respect to maximum ratings, operating power supply voltage range, heat dissipation characteristics, installation, etc. Renesas Electronics disclaims any and all liability for any malfunctions, failure or accident arising out of the use of Renesas Electronics products outside of such specified ranges.
9. Although Renesas Electronics endeavors to improve the quality and reliability of Renesas Electronics products, semiconductor products have specific characteristics, such as the occurrence of failure at a certain rate and malfunctions under certain use conditions. Unless designated as a high reliability product or a product for harsh environments in a Renesas Electronics data sheet or other Renesas Electronics document, Renesas Electronics products are not subject to radiation resistance design. You are responsible for implementing safety measures to guard against the possibility of bodily injury, injury or damage caused by fire, and/or danger to the public in the event of a failure or malfunction of Renesas Electronics products, such as safety design for hardware and software, including but not limited to redundancy, fire control and malfunction prevention, appropriate treatment for aging degradation or any other appropriate measures. Because the evaluation of microcomputer software alone is very difficult and impractical, you are responsible for evaluating the safety of the final products or systems manufactured by you.
10. Please contact a Renesas Electronics sales office for details as to environmental matters such as the environmental compatibility of each Renesas Electronics product. You are responsible for carefully and sufficiently investigating applicable laws and regulations that regulate the inclusion or use of controlled substances, including without limitation, the EU RoHS Directive, and using Renesas Electronics products in compliance with all these applicable laws and regulations. Renesas Electronics disclaims any and all liability for damages or losses occurring as a result of your noncompliance with applicable laws and regulations.
11. Renesas Electronics products and technologies shall not be used for or incorporated into any products or systems whose manufacture, use, or sale is prohibited under any applicable domestic or foreign laws or regulations. You shall comply with any applicable export control laws and regulations promulgated and administered by the governments of any countries asserting jurisdiction over the parties or transactions.
12. It is the responsibility of the buyer or distributor of Renesas Electronics products, or any other party who distributes, disposes of, or otherwise sells or transfers the product to a third party, to notify such third party in advance of the contents and conditions set forth in this document.
13. This document shall not be reprinted, reproduced or duplicated in any form, in whole or in part, without prior written consent of Renesas Electronics.
14. Please contact a Renesas Electronics sales office if you have any questions regarding the information contained in this document or Renesas Electronics products.

(Note1) "Renesas Electronics" as used in this document means Renesas Electronics Corporation and also includes its directly or indirectly controlled subsidiaries.

(Note2) "Renesas Electronics product(s)" means any product developed or manufactured by or for Renesas Electronics.

(Rev.5.0-1 October 2020)

Corporate Headquarters

TOYOSU FORESIA, 3-2-24 Toyosu,
Koto-ku, Tokyo 135-0061, Japan
www.renesas.com

Trademarks

Renesas and the Renesas logo are trademarks of Renesas Electronics Corporation. All trademarks and registered trademarks are the property of their respective owners.

Contact information

For further information on a product, technology, the most up-to-date version of a document, or your nearest sales office, please visit:
www.renesas.com/contact/.