

To our customers,

Old Company Name in Catalogs and Other Documents

On April 1st, 2010, NEC Electronics Corporation merged with Renesas Technology Corporation, and Renesas Electronics Corporation took over all the business of both companies. Therefore, although the old company name remains in this document, it is a valid Renesas Electronics document. We appreciate your understanding.

Renesas Electronics website: <http://www.renesas.com>

April 1st, 2010
Renesas Electronics Corporation

Issued by: Renesas Electronics Corporation (<http://www.renesas.com>)

Send any inquiries to <http://www.renesas.com/inquiry>.

Notice

1. All information included in this document is current as of the date this document is issued. Such information, however, is subject to change without any prior notice. Before purchasing or using any Renesas Electronics products listed herein, please confirm the latest product information with a Renesas Electronics sales office. Also, please pay regular and careful attention to additional and different information to be disclosed by Renesas Electronics such as that disclosed through our website.
2. Renesas Electronics does not assume any liability for infringement of patents, copyrights, or other intellectual property rights of third parties by or arising from the use of Renesas Electronics products or technical information described in this document. No license, express, implied or otherwise, is granted hereby under any patents, copyrights or other intellectual property rights of Renesas Electronics or others.
3. You should not alter, modify, copy, or otherwise misappropriate any Renesas Electronics product, whether in whole or in part.
4. Descriptions of circuits, software and other related information in this document are provided only to illustrate the operation of semiconductor products and application examples. You are fully responsible for the incorporation of these circuits, software, and information in the design of your equipment. Renesas Electronics assumes no responsibility for any losses incurred by you or third parties arising from the use of these circuits, software, or information.
5. When exporting the products or technology described in this document, you should comply with the applicable export control laws and regulations and follow the procedures required by such laws and regulations. You should not use Renesas Electronics products or the technology described in this document for any purpose relating to military applications or use by the military, including but not limited to the development of weapons of mass destruction. Renesas Electronics products and technology may not be used for or incorporated into any products or systems whose manufacture, use, or sale is prohibited under any applicable domestic or foreign laws or regulations.
6. Renesas Electronics has used reasonable care in preparing the information included in this document, but Renesas Electronics does not warrant that such information is error free. Renesas Electronics assumes no liability whatsoever for any damages incurred by you resulting from errors in or omissions from the information included herein.
7. Renesas Electronics products are classified according to the following three quality grades: “Standard”, “High Quality”, and “Specific”. The recommended applications for each Renesas Electronics product depends on the product’s quality grade, as indicated below. You must check the quality grade of each Renesas Electronics product before using it in a particular application. You may not use any Renesas Electronics product for any application categorized as “Specific” without the prior written consent of Renesas Electronics. Further, you may not use any Renesas Electronics product for any application for which it is not intended without the prior written consent of Renesas Electronics. Renesas Electronics shall not be in any way liable for any damages or losses incurred by you or third parties arising from the use of any Renesas Electronics product for an application categorized as “Specific” or for which the product is not intended where you have failed to obtain the prior written consent of Renesas Electronics. The quality grade of each Renesas Electronics product is “Standard” unless otherwise expressly specified in a Renesas Electronics data sheets or data books, etc.
 - “Standard”: Computers; office equipment; communications equipment; test and measurement equipment; audio and visual equipment; home electronic appliances; machine tools; personal electronic equipment; and industrial robots.
 - “High Quality”: Transportation equipment (automobiles, trains, ships, etc.); traffic control systems; anti-disaster systems; anti-crime systems; safety equipment; and medical equipment not specifically designed for life support.
 - “Specific”: Aircraft; aerospace equipment; submersible repeaters; nuclear reactor control systems; medical equipment or systems for life support (e.g. artificial life support devices or systems), surgical implantations, or healthcare intervention (e.g. excision, etc.), and any other applications or purposes that pose a direct threat to human life.
8. You should use the Renesas Electronics products described in this document within the range specified by Renesas Electronics, especially with respect to the maximum rating, operating supply voltage range, movement power voltage range, heat radiation characteristics, installation and other product characteristics. Renesas Electronics shall have no liability for malfunctions or damages arising out of the use of Renesas Electronics products beyond such specified ranges.
9. Although Renesas Electronics endeavors to improve the quality and reliability of its products, semiconductor products have specific characteristics such as the occurrence of failure at a certain rate and malfunctions under certain use conditions. Further, Renesas Electronics products are not subject to radiation resistance design. Please be sure to implement safety measures to guard them against the possibility of physical injury, and injury or damage caused by fire in the event of the failure of a Renesas Electronics product, such as safety design for hardware and software including but not limited to redundancy, fire control and malfunction prevention, appropriate treatment for aging degradation or any other appropriate measures. Because the evaluation of microcomputer software alone is very difficult, please evaluate the safety of the final products or system manufactured by you.
10. Please contact a Renesas Electronics sales office for details as to environmental matters such as the environmental compatibility of each Renesas Electronics product. Please use Renesas Electronics products in compliance with all applicable laws and regulations that regulate the inclusion or use of controlled substances, including without limitation, the EU RoHS Directive. Renesas Electronics assumes no liability for damages or losses occurring as a result of your noncompliance with applicable laws and regulations.
11. This document may not be reproduced or duplicated, in any form, in whole or in part, without prior written consent of Renesas Electronics.
12. Please contact a Renesas Electronics sales office if you have any questions regarding the information contained in this document or Renesas Electronics products, or if you have any other inquiries.

(Note 1) “Renesas Electronics” as used in this document means Renesas Electronics Corporation and also includes its majority-owned subsidiaries.

(Note 2) “Renesas Electronics product(s)” means any product developed or manufactured by or for Renesas Electronics.

User's Manual

Phase-out/Discontinued

EP-78054GK-R

Emulation Probe

Document No. U13630EJ2V0UM00 (2nd edition)
(O.D. No. EEU-1468)
Date Published November 1998 N CP(K)

© NEC Corporation 1993
Printed in Japan

[MEMO]

No part of this document may be copied or reproduced in any form or by any means without the prior written consent of NEC Corporation. NEC Corporation assumes no responsibility for any errors which may appear in this document.

NEC Corporation does not assume any liability for infringement of patents, copyrights or other intellectual property rights of third parties by or arising from use of a device described herein or any other liability arising from use of such device. No license, either express, implied or otherwise, is granted under any patents, copyrights or other intellectual property rights of NEC Corporation or of others.

Regional Information

Some information contained in this document may vary from country to country. Before using any NEC product in your application, please contact the NEC office in your country to obtain a list of authorized representatives and distributors. They will verify:

- Device availability
- Ordering information
- Product release schedule
- Availability of related technical literature
- Development environment specifications (for example, specifications for third-party tools and components, host computers, power plugs, AC supply voltages, and so forth)
- Network requirements

In addition, trademarks, registered trademarks, export restrictions, and other legal issues may also vary from country to country.

NEC Electronics Inc. (U.S.)

Santa Clara, California
Tel: 408-588-6000
800-366-9782
Fax: 408-588-6130
800-729-9288

NEC Electronics (Germany) GmbH

Duesseldorf, Germany
Tel: 0211-65 03 02
Fax: 0211-65 03 490

NEC Electronics (UK) Ltd.

Milton Keynes, UK
Tel: 01908-691-133
Fax: 01908-670-290

NEC Electronics Italiana s.r.l.

Milano, Italy
Tel: 02-66 75 41
Fax: 02-66 75 42 99

NEC Electronics (Germany) GmbH

Benelux Office
Eindhoven, The Netherlands
Tel: 040-2445845
Fax: 040-2444580

NEC Electronics (France) S.A.

Velizy-Villacoublay, France
Tel: 01-30-67 58 00
Fax: 01-30-67 58 99

NEC Electronics (France) S.A.

Spain Office
Madrid, Spain
Tel: 01-504-2787
Fax: 01-504-2860

NEC Electronics (Germany) GmbH

Scandinavia Office
Taebby, Sweden
Tel: 08-63 80 820
Fax: 08-63 80 388

NEC Electronics Hong Kong Ltd.

Hong Kong
Tel: 2886-9318
Fax: 2886-9022/9044

NEC Electronics Hong Kong Ltd.

Seoul Branch
Seoul, Korea
Tel: 02-528-0303
Fax: 02-528-4411

NEC Electronics Singapore Pte. Ltd.

United Square, Singapore 1130
Tel: 65-253-8311
Fax: 65-250-3583

NEC Electronics Taiwan Ltd.

Taipei, Taiwan
Tel: 02-2719-2377
Fax: 02-2719-5951

NEC do Brasil S.A.

Electron Devices Division
Rodovia Presidente Dutra, Km 214
07210-902-Guarulhos-SP Brasil
Tel: 55-11-6465-6810
Fax: 55-11-6465-6829

Major Revisions in This Edition

| Page | Description |
|------------|---|
| Throughout | Change of conversion adapter EV-9500GK-80 to TGK-080SDW of TOKYO ELETECH CORPORATION. |
| p. 25 | Addition of package drawings in APPENDIX B CONVERSION ADAPTER (TGK-080SDW) |
| p. 27 | Addition of APPENDIX C REVISION HISTORY |

The mark ★ shows major revised points.

[MEMO]

INTRODUCTION

| | |
|--------------------------------|--|
| Target Readers | This manual is intended for users who wish to debug microcontrollers using an in-circuit emulator and the EP-78054GK-R. |
| Purpose | This manual describes how to connect the EP-78054GK-R to an in-circuit emulator. |
| Organization | This manual contains the following information: General Connections |
| How to Read This Manual | <p>Before reading this manual, read the manuals related to the in-circuit emulator to be used and familiarize yourself with the organization and functions of the debugging system.</p> <p>To understand the overall functions and connections of the EP-78054GK-R: → Read this manual in the order of the CONTENTS.</p> <p>To understand the operating environment and organization: → Read CHAPTER 1 GENERAL.</p> <p>To understand the details of connections: → Read CHAPTER 2 CONNECTION.</p> |
| Conventions | <p>Note : Footnote for item marked with Note in the text</p> <p>Caution: Information requiring particular attention</p> <p>Remark: Supplementaly information</p> |

Unpacking Carton Box

The carton box of the EP-78054GK-R contains the following items. Confirm that all the items are included. If any item is missing or damaged, consult an NEC sales representative.

Emulation probe × 1

Connector board × 1

User's Manual (this manual) × 1

Mounting screw^{Note 1} × 2

★ Conversion adapter (TGK-080SDW)^{Note 2} × 1

Notes 1. These screws are used to connect the emulation probe to the in-circuit emulator.

★ **2.** This adapter is used to connect the emulation probe to the target system. The TGK-080SDW is a product of TOKYO ELETECH CORPORATION. For further information, contact Daimaru Kogyo, Ltd. Tokyo Electronic Components Division (+81-3-3820-7112)
TOKYO ELETECH CORPORATION (+81-3-5295-1661)

CONTENTS

CHAPTER 1 GENERAL 11

1.1 Operating Environment..... 11

1.2 Organization..... 12

CHAPTER 2 CONNECTION 15

2.1 Connecting In-Circuit Emulator and Target System 15

2.2 Turning on/off power 21

2.3 How to Remove Emulation Probe from Target System 22

APPENDIX A PIN NUMBER OF 80-PIN GK EMULATION PROBE 23

★ **APPENDIX B PACKAGE DRAWINGS OF CONVERSION ADAPTER (TGK-080SDW)..... 25**

★ **APPENDIX C REVISION HISTORY 27**

LIST OF FIGURES

| Figure No. | Title | Page |
|------------|---|------|
| 1-1. | Operating Environment..... | 11 |
| 1-2. | EP-78054GK-R..... | 13 |
| 2-1. | Connecting IE-78064-R-EM and Connector Board..... | 16 |
| 2-2. | Example of Connecting IE-78000-R and Emulation Probe..... | 17 |
| 2-3. | Connecting 80-Pin GK Emulation Probe..... | 18 |
| 2-4. | Connecting External Sense Clip..... | 21 |
| 2-5. | Removing Emulation Probe..... | 23 |

CHAPTER 1 GENERAL

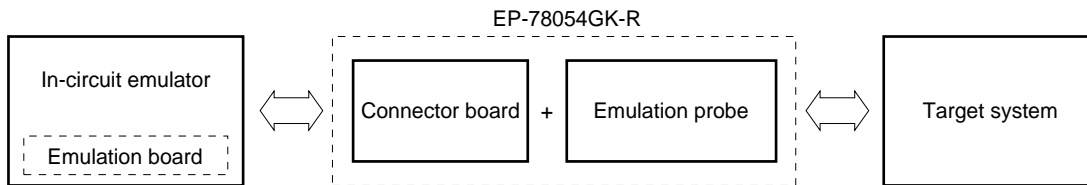
This chapter describes the EP-78054GK-R.

1.1 Operating Environment

The EP-78054GK-R is a probe set that connects an in-circuit emulator and a target system. By connecting the in-circuit emulator and target board with the EP-78054GK-R, the debugging environment of a microcontroller is established and the hardware and software of the target system can be debugged. For details of connection, refer to **CHAPTER 2 CONNECTION**.

Figure 1-1. Operating Environment

- Connecting in-circuit emulator and target system



1.2 Organization

The EP-78054GK-R consists of an emulation probe and a connector board.

(1) Emulation probe

The emulation probe consists of the following three parts:

80-pin GK probe

Connects the in-circuit emulator and target system.

Ground clip

Connects to GND of the target system to make the GND potential of the in-circuit emulator the same as that of the target system and thereby improve the static electricity resistance and noise immunity of the system.

External sense clip

Consists of eight sense clips which are used to check the voltage level of the pins of the IC mounted on the target system.

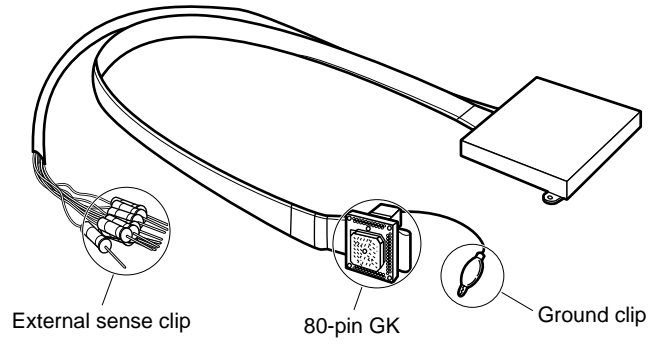
(2) Connector board

The connector board connects the pins that are output to the emulation probe, on the emulation board and is connected to the connector ^{Note} on the emulation board.

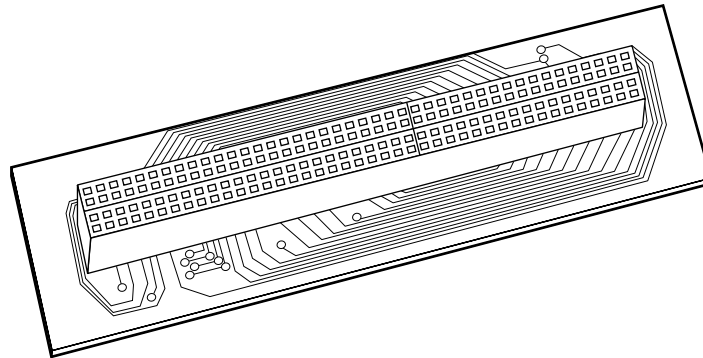
Note The place on the emulation board where the connector board is to be connected differs depending on the emulation board. Refer to the User's Manuals of the in-circuit emulator or emulation board.

Figure 1-2. EP-78054GK-R

Emulation probe



Connector board



[MEMO]

CHAPTER 2 CONNECTION

This chapter describes how to connect the EP-78054GK-R, turn on/off power, and remove the emulation probe from the target system.

2.1 Connecting In-Circuit Emulator and Target System

Connecting the in-circuit emulator and target system following these steps:

(1) Connecting the emulation board and connector board

- <1> Turn off the power of the in-circuit emulator.
- <2> Connect the emulation board and connector board.
- <3> Install the emulation board (with connector board attached) in the in-circuit emulator.

(2) Connecting the in-circuit emulator and the emulation probe

(3) Connecting the emulation probe to the target system

- <1> Turn off the power of the target system.
- <2> Solder the conversion adapter to the target system.
- <3> Insert the tip of the emulation probe into the conversion adapter.

(4) Connecting the external sense clip (if the external sense clip is used)

(5) Turning on the power

Each step, (1) to (5), is described in details next.

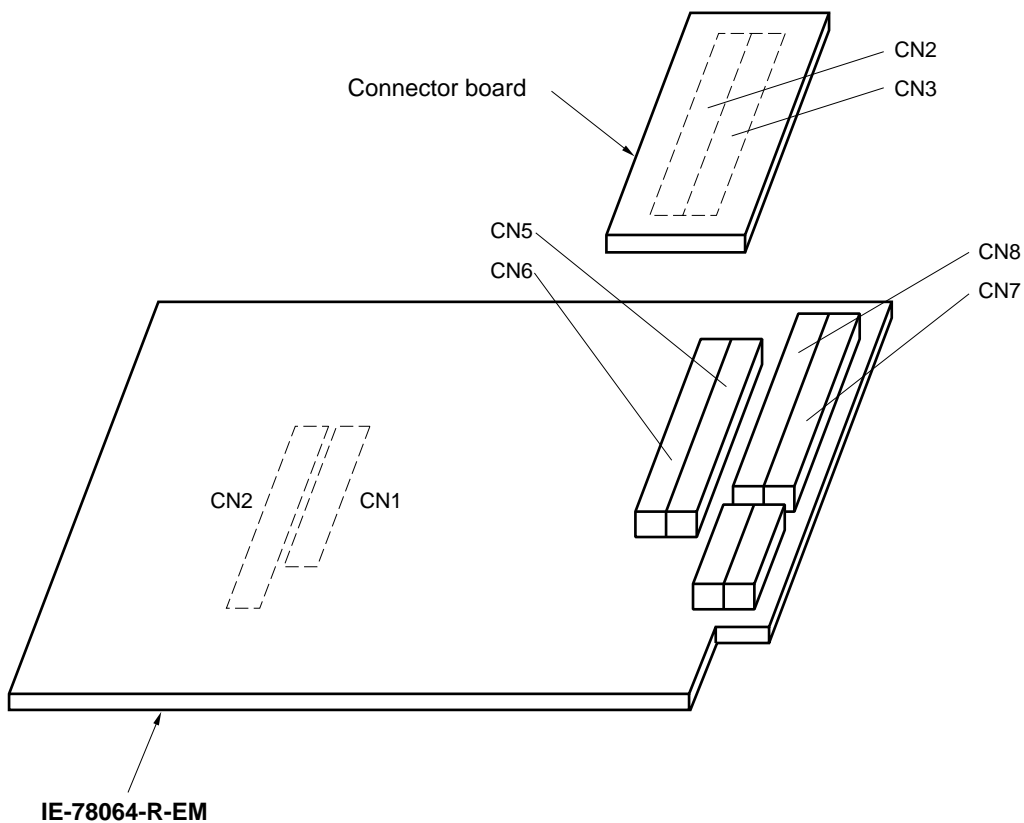
(1) Connecting emulation board and connector board

Connect the connector board to the emulation board.

In the following description, it is assumed that the IE-78064-R-EM is used as the emulation board.

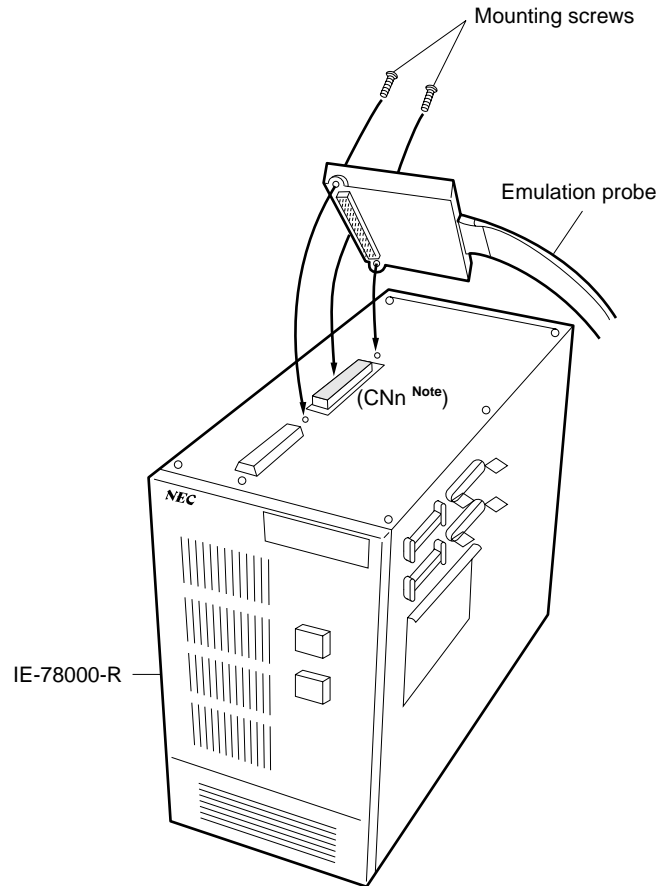
- (1) Connect CN5 and CN6 of the IE-78064-R-EM to CN3 and CN2 of the connector board.
- (2) Turn off the power of the IE-78000-R.
- (3) Remove the screws (at six places) from the top of the IE-78000-R, and open the lid.
- (4) Pull the card pullers at both edges of the board, and pull out the IE-78000-R-BK.
- (5) Fasten the IE-78064-R-EM and IE-78000-R-BK with screws.
- (6) Return the IE-78000-R-BK, onto which the IE-78064-R-EM has been mounted, to the original position in the IE-78000-R.

Figure 2-1. Connecting IE-78064-R-EM and Connector Board



(2) Connecting in-circuit emulator and emulation probe

- (1) Connect the emulation probe to the DIN connector for emulation probe use that is on the top of the in-circuit emulator.
- (2) After connection, be sure to fix the emulation probe and in-circuit emulator with screws.

Figure 2-2. Example of Connecting IE-78000-R and Emulation Probe

Note The position to be connected differs depending on the emulation board. Refer to the User's Manual of the in-circuit emulator or emulation board.

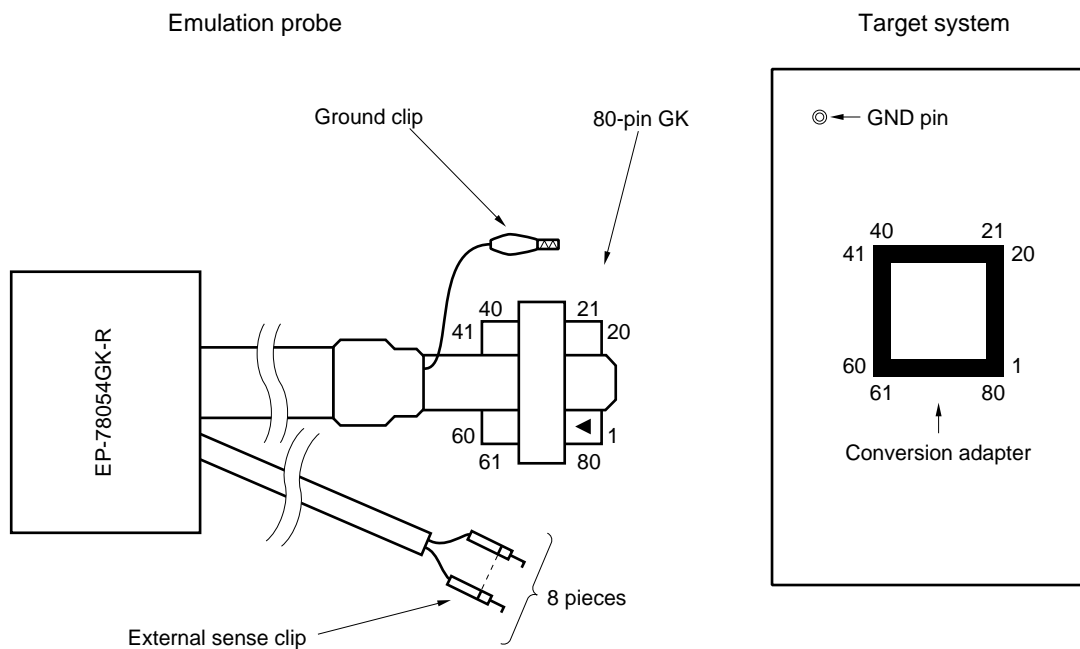
(3) Connecting emulation probe to target system

Connect the emulation probe to the target system in the following sequence:

- Cautions**
1. Before connecting the emulation probe to the target system, be sure to connect the ground clip first. Otherwise, the in-circuit emulator may be damaged by static electricity.
 2. Be sure to connect the pins in the correct direction. If they are connected in the wrong direction, the in-circuit emulator may be damaged.

- (1) Turn off the power of the target system.
- ★ (2) Solder the conversion adapter (accessory: T GK-080SDW) to the target system.
- (3) Connect the ground clip of the emulation probe to the ground (GND) of the target system.
- (4) Connect the emulation probe to the target system so that the position of the 80-pin GK at the tip of the emulation probe comes to the position of pin 1 of the conversion adapter soldered onto the target system in step (2) above.

Figure 2-3. Connecting 80-Pin GK Emulation Probe



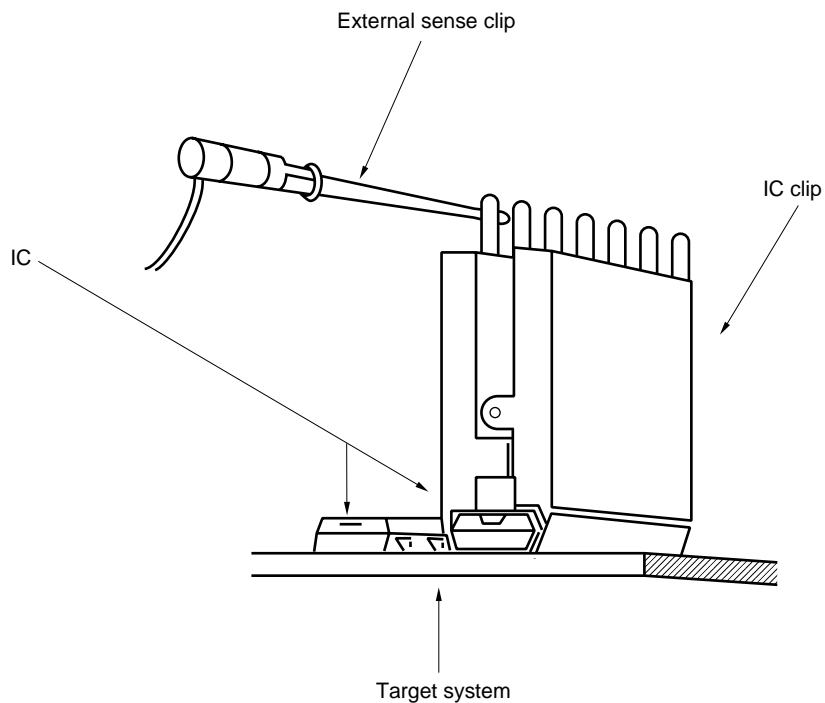
(4) Connecting external sense clip

Connect the external sense clip in the following sequence:

Caution Connect the external sense clips to the TTL level signal lines. If they are connected to other signal lines, the high and low levels of the signals cannot be accurately detected. In addition, the sensors of the in-circuit emulator may be damaged depending on the voltage level.

- (1) Turn off power to the target system and then to the in-circuit emulator.
- (2) Mount a commercially available IC clip to the IC on the target system to be traced.
- (3) Connect the external sense clip to the IC clip.
- (4) Turn on power to the in-circuit emulator and then to the target system.

Figure 2-4. Connecting External Sense Clip



Remark To connect the external sense clip, use an IC clip whenever possible, to prevent mis-touch and improve operability.

2.2 Turning on/off power

After connecting the emulation probe and target system, turn on power. Be sure to turn on or off power in the sequence describe below.

Caution Be sure to turn on/off power in the correct sequence. Otherwise, the in-circuit emulator may be damaged.

(1) Power-on sequence

- <1> Turn on the power of the in-circuit emulator.
- <2> Turn on the power of the target system.

(2) Power-off sequence

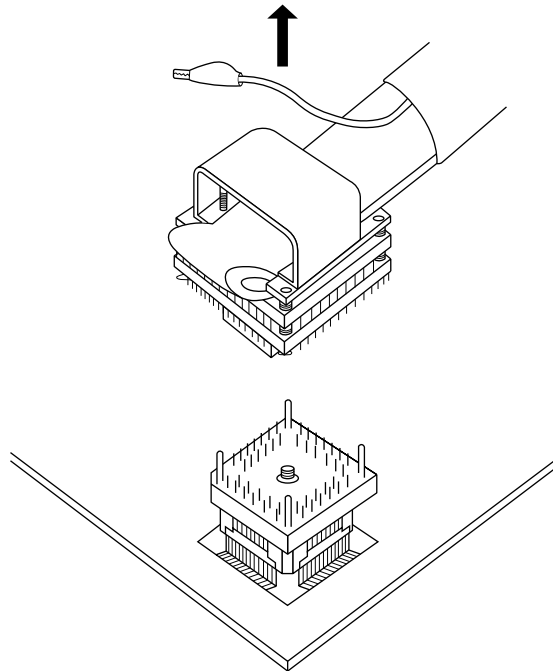
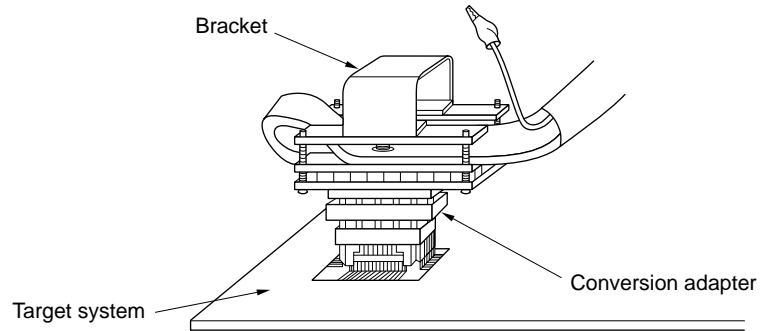
- <1> Turn off the power of the target system.
- <2> Turn off the power of the in-circuit emulator.

2.3 How to Remove Emulation Probe from Target System

Remove the emulation probe from the target system in the following sequence:

- (1) Turn off the power of the target system.
- (2) Turn off the power of the in-circuit emulator.
- (3) Pull up the bracket at the tip of the emulation probe at right angles to the target system, to remove the emulation probe from the conversion adapter.

Figure 2-5. Removing Emulation Probe



[MEMO]

APPENDIX A PIN NUMBER OF 80-PIN GK EMULATION PROBE

| CNn Pin No. | Emulation Probe | CNn Pin No. | Emulation Probe | CN5 Pin No. | Emulation Probe | CN5 Pin No. | Emulation Probe |
|----------------|--------------------|----------------|--------------------|----------------|--------------------|----------------|--------------------|
| 1 | GND | 25 | 15 | 49 | 34 | 73 | 61 |
| 2 | GND | 26 | 16 | 50 | 33 | 74 | NC |
| 3 | EXT0 | 27 | 17 | 51 | 32 | 75 | NC |
| 4 | EXT1 | 28 | 18 | 52 | 31 | 76 | 70 |
| 5 | EXT2 | 29 | 19 | 53 | 41 | 77 | 69 |
| 6 | EXT3 | 30 | 20 | 54 | 42 | 78 | 68 |
| 7 | EXT4 | 31 | 21 | 55 | 43 | 79 | 67 |
| 8 | EXT5 | 32 | NC | 56 | 44 | 80 | 66 |
| 9 | EXT6 | 33 | NC | 57 | 45 | 81 | 65 |
| 10 | EXT7 | 34 | 30 | 58 | 46 | 82 | 64 |
| 11 | 1 | 35 | 29 | 59 | 47 | 83 | 63 |
| 12 | 2 | 36 | 28 | 60 | 48 | 84 | 62 |
| 13 | 3 | 37 | 27 | 61 | 49 | 85 | 80 |
| 14 | 4 | 38 | 26 | 62 | 50 | 86 | 79 |
| 15 | 5 | 39 | 25 | 63 | 51 | 87 | 78 |
| 16 | 6 | 40 | 24 | 64 | 52 | 88 | 77 |
| 17 | 7 | 41 | 23 | 65 | 53 | 89 | 76 |
| 18 | 8 | 42 | 22 | 66 | 54 | 90 | 75 |
| 19 | 9 | 43 | 40 | 67 | 55 | 91 | 74 |
| 20 | 10 | 44 | 39 | 68 | 56 | 92 | 73 |
| 21 | 11 | 45 | 38 | 69 | 57 | 93 | 72 |
| 22 | 12 | 46 | 37 | 70 | 58 | 94 | 71 |
| 23 | 13 | 47 | 36 | 71 | 59 | 95 | GND |
| 24 | 14 | 48 | 35 | 72 | 60 | 96 | GND |

Remarks 1. CNn pin number

CNn: connector connecting the emulation probe

The value of n differs depending on the emulation board connected. Refer to the User's Manual of the emulation board or in-circuit emulator.

2. The meanings of the symbols and numbers in the column emulation probe are as follows:

GND : ground clip (GND)

EXT0 to EXT7: external sense clip

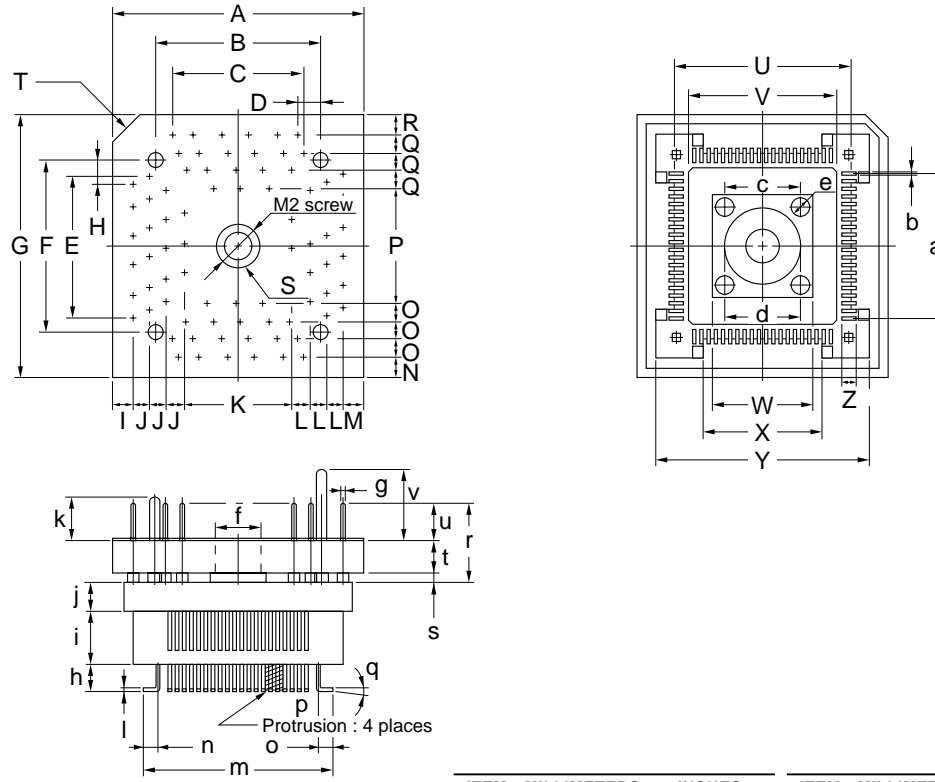
1 to 80 : emulation probe 80-pin GK pin number

NC : No connection

[MEMO]

★ APPENDIX B PACKAGE DRAWINGS OF CONVERSION ADAPTER (TGK-080SDW)

TGK-080SDW (TQPACK080SD + TQSOCKET080SDW)
 Package dimension (unit: mm)



| ITEM | MILLIMETERS | INCHES | ITEM | MILLIMETERS | INCHES |
|------|-------------|-------------------|------|-----------------|-------------------------|
| A | 18.0 | 0.709 | a | 0.5x19=9.5±0.10 | 0.020x0.748=0.374±0.004 |
| B | 11.77 | 0.463 | b | 0.25 | 0.010 |
| C | 0.5x19=9.5 | 0.020x0.748=0.374 | c | φ5.3 | φ0.209 |
| D | 0.5 | 0.020 | d | φ5.3 | φ0.209 |
| E | 0.5x19=9.5 | 0.020x0.748=0.374 | e | φ1.3 | φ0.051 |
| F | 11.77 | 0.463 | f | φ3.55 | φ0.140 |
| G | 18.0 | 0.709 | g | φ0.3 | φ0.012 |
| H | 0.5 | 0.020 | h | 1.85±0.2 | 0.073±0.008 |
| I | 1.58 | 0.062 | i | 3.5 | 0.138 |
| J | 1.2 | 0.047 | j | 2.0 | 0.079 |
| K | 7.64 | 0.301 | k | 3.0 | 0.118 |
| L | 1.2 | 0.047 | l | 0.25 | 0.010 |
| M | 1.58 | 0.062 | m | 14.0 | 0.551 |
| N | 1.58 | 0.062 | n | 1.4±0.2 | 0.055±0.008 |
| O | 1.2 | 0.047 | o | 1.4±0.2 | 0.055±0.008 |
| P | 7.64 | 0.301 | p | h=1.8 φ1.3 | h=0.071 φ0.051 |
| Q | 1.2 | 0.047 | q | 0-5° | 0.000-0.197° |
| R | 1.58 | 0.062 | r | 5.9 | 0.232 |
| S | φ3.55 | φ0.140 | s | 0.8 | 0.031 |
| T | C 2.0 | C 0.079 | t | 2.4 | 0.094 |
| U | 12.31 | 0.485 | u | 2.7 | 0.106 |
| V | 10.17 | 0.400 | v | 3.9 | 0.154 |
| W | 6.8 | 0.268 | | | |
| X | 8.24 | 0.324 | | | |
| Y | 14.8 | 0.583 | | | |
| Z | 1.4±0.2 | 0.055±0.008 | | | |

TGK-080SDW-G1E

Note: TGK-080SDW is a product incorporating TQPACK080SD and TQSOCKET080SDW of TOKYO ELETECH CORPORATION.

[MEMO]

★

APPENDIX C REVISION HISTORY

The revision history of this edition is shown below. "Chapter" indicates the chapter of the preceding edition where the revision was made.

| Edition | Revisions | Chapter |
|---------|---|--|
| 2nd | Change of conversion adapter EV-9500GK-80 to TGK-080SDW of TOKYO ELETECH CORPORATION. | Throughout |
| | Addition | APPENDIX B CONVERSION ADAPTER package drawings of (TGK-080SDW) |

[MEMO]

[MEMO]

[MEMO]

Facsimile Message

Although NEC has taken all possible steps to ensure that the documentation supplied to our customers is complete, bug free and up-to-date, we readily accept that errors may occur. Despite all the care and precautions we've taken, you may encounter problems in the documentation. Please complete this form whenever you'd like to report errors or suggest improvements to us.

From:

Name

Company

Tel.

FAX

Address

Thank you for your kind support.

North America

NEC Electronics Inc.
Corporate Communications Dept.
Fax: 1-800-729-9288
1-408-588-6130

Hong Kong, Philippines, Oceania

NEC Electronics Hong Kong Ltd.
Fax: +852-2886-9022/9044

Asian Nations except Philippines

NEC Electronics Singapore Pte. Ltd.
Fax: +65-250-3583

Europe

NEC Electronics (Europe) GmbH
Technical Documentation Dept.
Fax: +49-211-6503-274

Korea

NEC Electronics Hong Kong Ltd.
Seoul Branch
Fax: 02-528-4411

Japan

NEC Semiconductor Technical Hotline
Fax: 044-548-7900

South America

NEC do Brasil S.A.
Fax: +55-11-6465-6829

Taiwan

NEC Electronics Taiwan Ltd.
Fax: 02-2719-5951

I would like to report the following error/make the following suggestion:

Document title: _____

Document number: _____ Page number: _____

If possible, please fax the referenced page or drawing.

| Document Rating | Excellent | Good | Acceptable | Poor |
|--------------------|--------------------------|--------------------------|--------------------------|--------------------------|
| Clarity | <input type="checkbox"/> | <input type="checkbox"/> | <input type="checkbox"/> | <input type="checkbox"/> |
| Technical Accuracy | <input type="checkbox"/> | <input type="checkbox"/> | <input type="checkbox"/> | <input type="checkbox"/> |
| Organization | <input type="checkbox"/> | <input type="checkbox"/> | <input type="checkbox"/> | <input type="checkbox"/> |