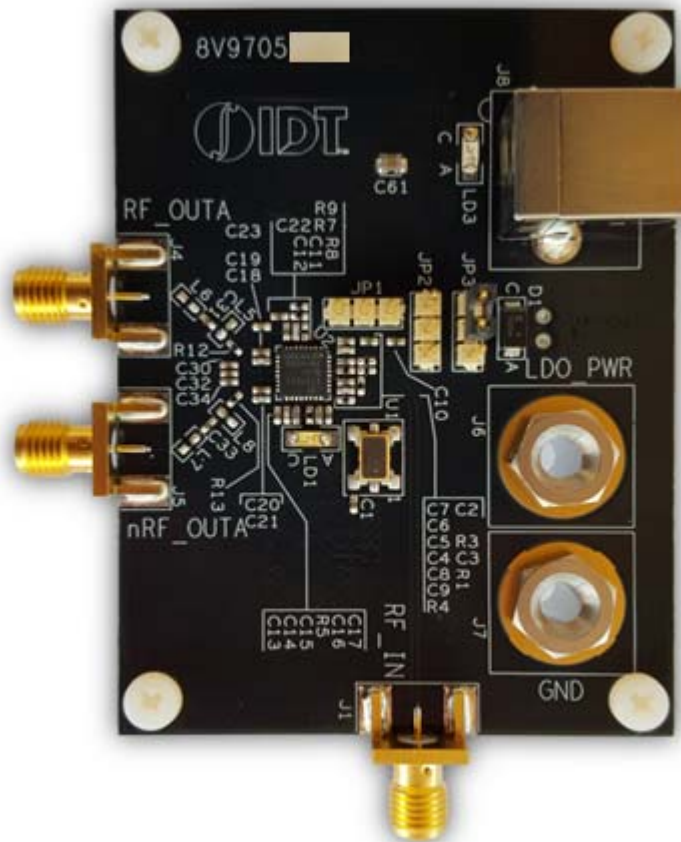


8V9705x Evaluation Board User Guide IDT Applications

October 2016



Contents

Introduction3

Contents3

Requirements3

Quick Start3

Default Power-Up Condition3

Board Overview4

Schematics7

Powering from an External Supply10

External Signal Reference Configuration11

DC Controls11

Figures

Figure 1. Evaluation Board Top View.....4

Figure 2. Evaluation Board Bottom View.....6

Figure 3. Input Schematic.....7

Figure 4. Output Termination Schematic.....7

Figure 5. Loop Filter Schematic8

Figure 6 . Power Source Selection Schematic8

Figure 7. LDO Power Schematic9

Figure 8. I2C-to-SPI Translation Schematic9

Figure 9. 8V9705x DUT Schematic.....10

Figure 10. External Power Configuration10

Figure 11. External Signal Reference Configuration.....11

Introduction

The 8V9705x evaluation board is designed to help the customer evaluate the 8V97051, 8V97051L, 8V97053 and 8V97053L IDT Wideband RF synthesizers. When the board is connected to a PC running IDT Timing Commander Software through USB, the device can be configured and programmed to generate frequencies with best-in-class performances.

Contents

The 8V9705x evaluation board kit ships with the following:

- (1) 8V9705x Evaluation Board
- (1) USB Cable

Requirements

PC Requirements:

- IDT Timing Commander Software Installed.
- USB 2.0 or USB 3.0 interface.
- Windows XP SP3 or later.
- Processor: Minimum 1GHz.
- Memory: Minimum 512MB, recommended 1GB.
- Available Disk Space: Min 600MB (1.5GB 64bit), recommended 1GB (2GB 64bit)
- Network access during installation if the .NET framework is not currently installed on the system.

Quick Start

- (1) Connect a cable from a PC to the Evaluation Board USB port.
- (2) Verify that the board is configured to power from the USB (see JP3 jumper position in Fig.1)
- (3) JP2 and JP3 can be left floating.
- (4) Connect 50ohm cables from the RF_OUTA output to the measurement equipment.
- (5) Configure the device using Timing Commander.

Default Power-Up Condition

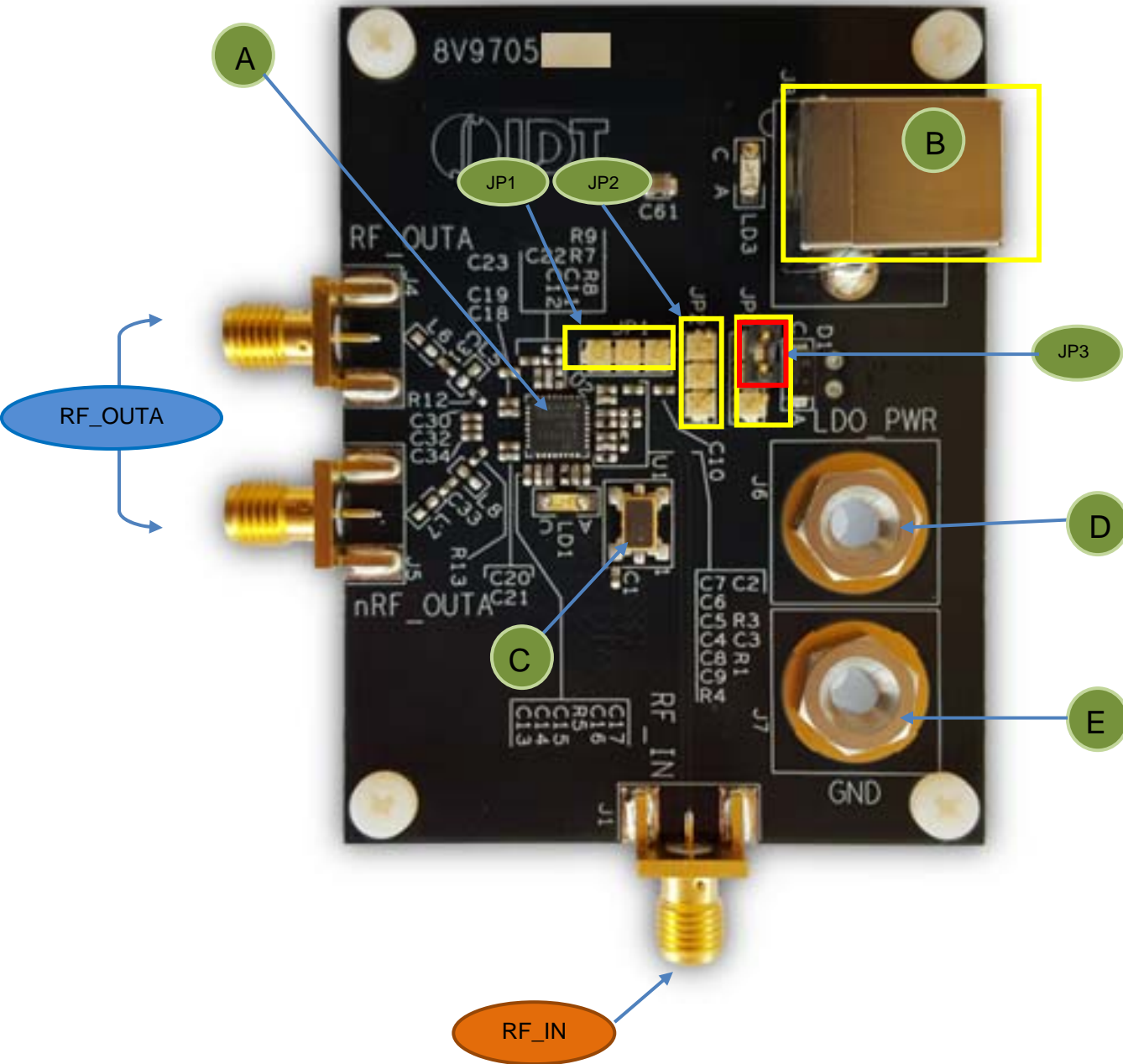
The board ships with a 25MHz TXCO and is configured to power from the USB. No external reference is required and no external power source, aside from the USB connection, is required. Outputs are disabled by default. The device must be configured using Timing Commander in order to activate the output.

Note: this device also has an RF_OUTb differential output that is not routed out on the evaluation board.

Board Overview

Use the following diagram to identify: power supply jacks, USB connector, input and output SMA connectors, TCXO, etc.

Figure 1. Evaluation Board Top View



Legend

Inputs

RF_IN Reference input (the board requires re-work to enable this option)

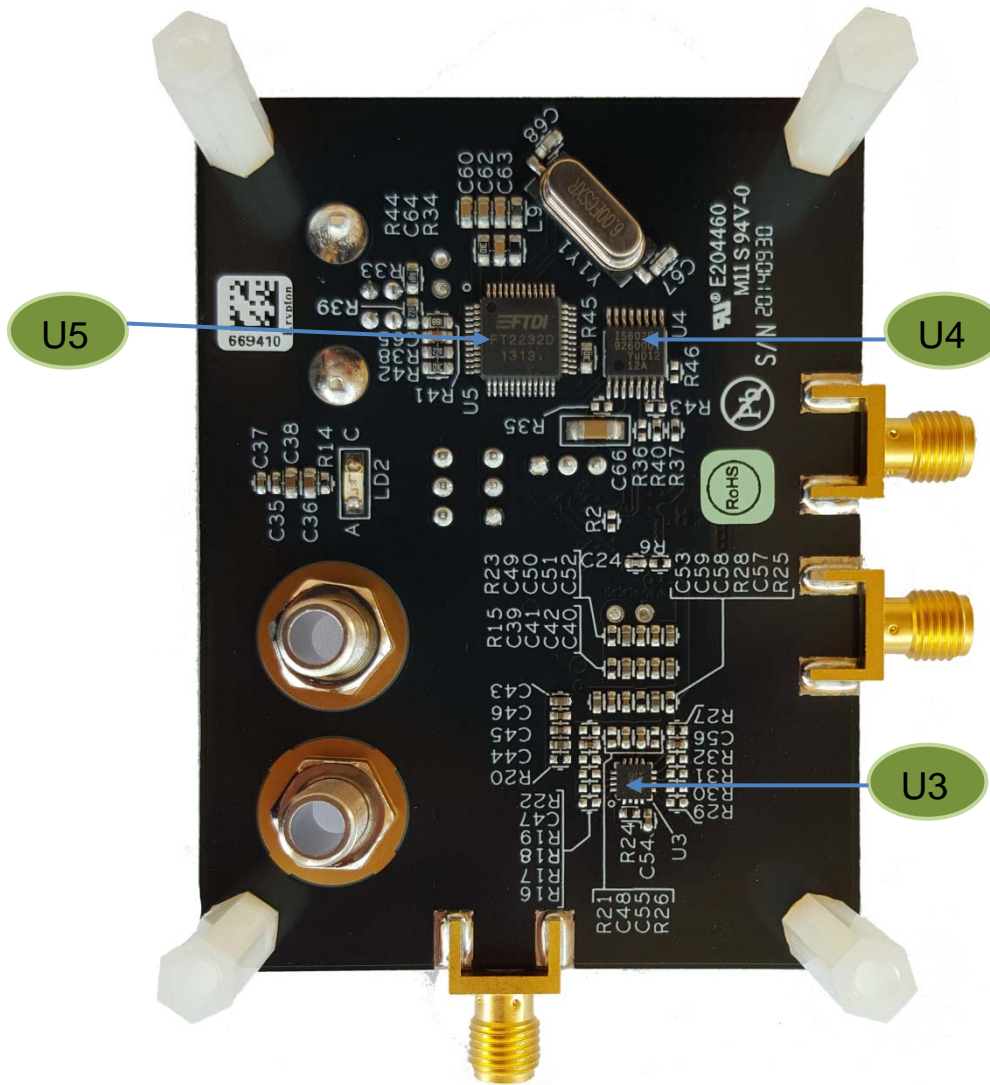
Outputs

RF_OUTA Open-drain, ac-coupled output.

Other

A IDT8V9705x- the device to be evaluated
 B USB connector (also powers the board)
 C 25 MHz TXCO (default reference source)
 D External LDO_POWER (alternate power source)
 E GND
 JP1 MUTE control (can be left floating)
 JP2 CE control (can be left floating)
 JP3 Power Source selector (USB vs LDO_PWR power source)

Figure 2. Evaluation Board Bottom View



Legend

- U5 FTDI USB-to-I2C chip
- U4 USB-to-SPI translator
- U3 LDO

Schematics

The following figures are schematics that are applicable to specific sections of this User Guide. The complete schematics are available in a separate document.

Figure 3. Input Schematic

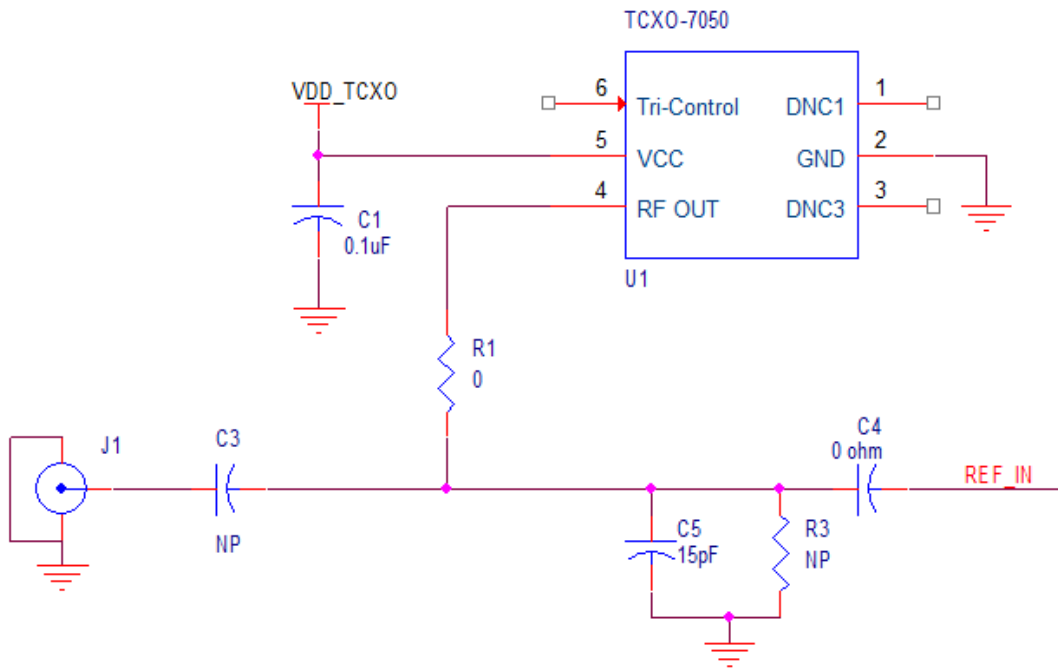


Figure 4. Output Termination Schematic

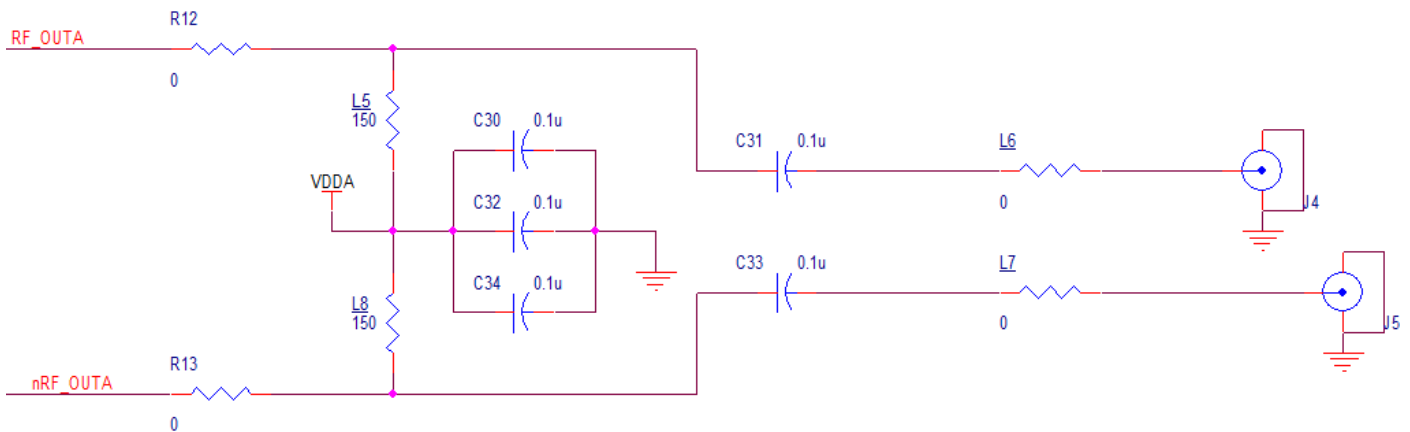


Figure 5. Loop Filter Schematic

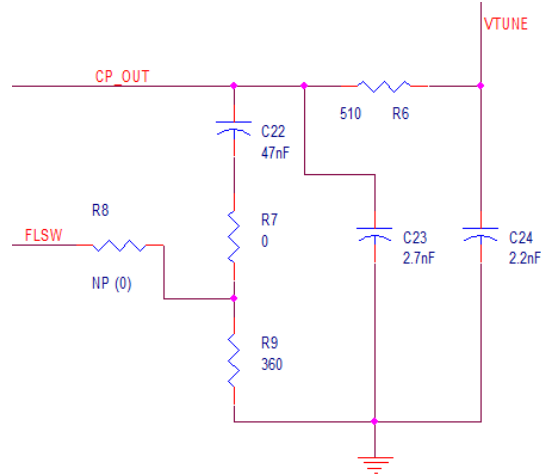


Figure 6 . Power Source Selection Schematic

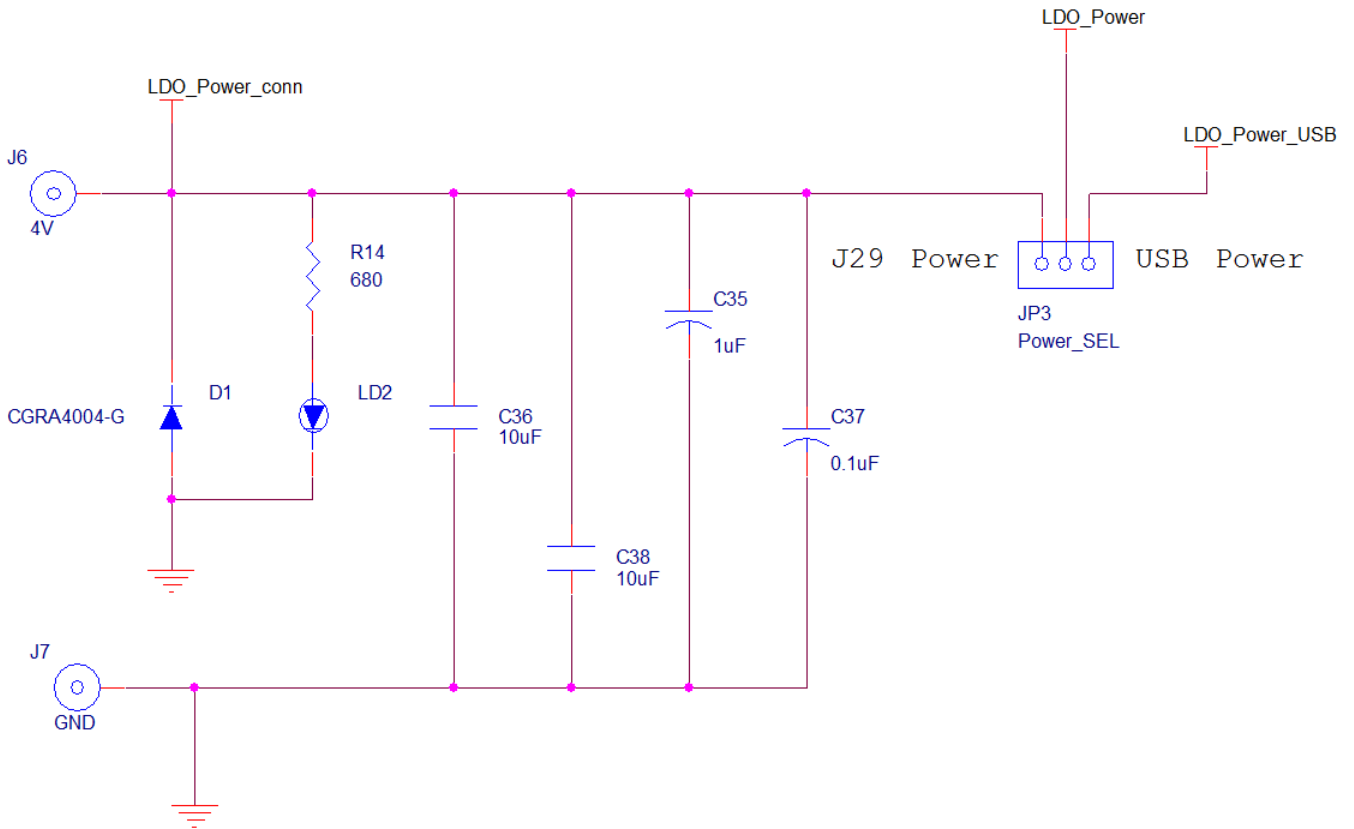
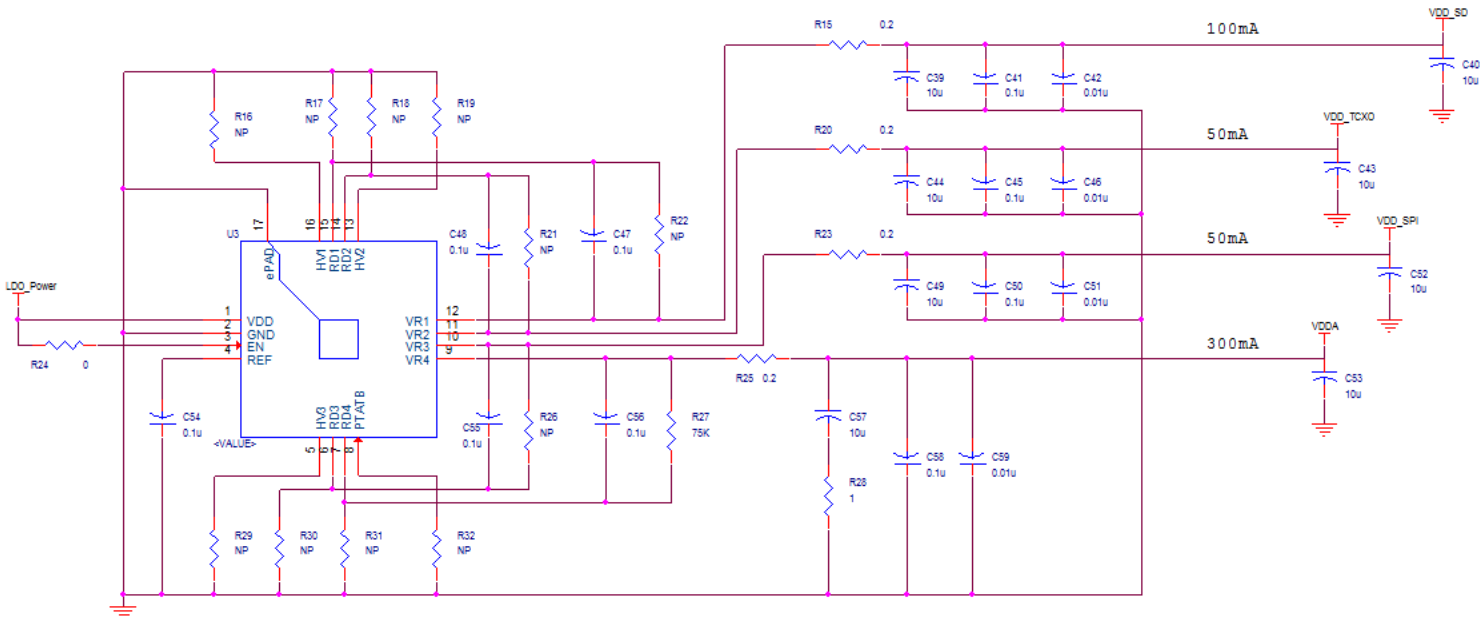


Figure 7. LDO Power Schematic



VDDA = V_CP, VDDA, V_VCO, VDDD

VDD_SPI = Translator, I2C PU, SPI PU

Figure 8. I2C-to-SPI Translation Schematic

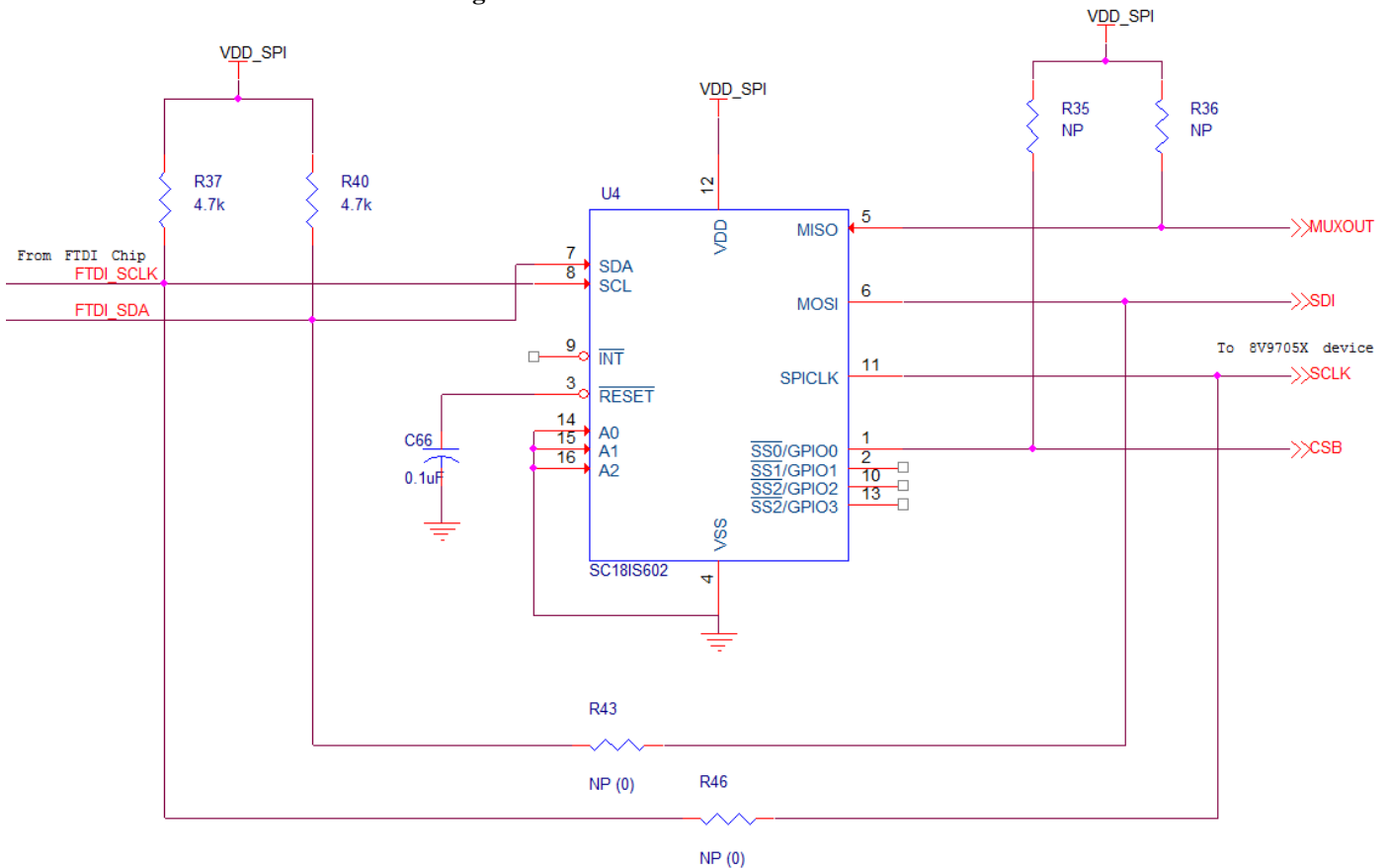
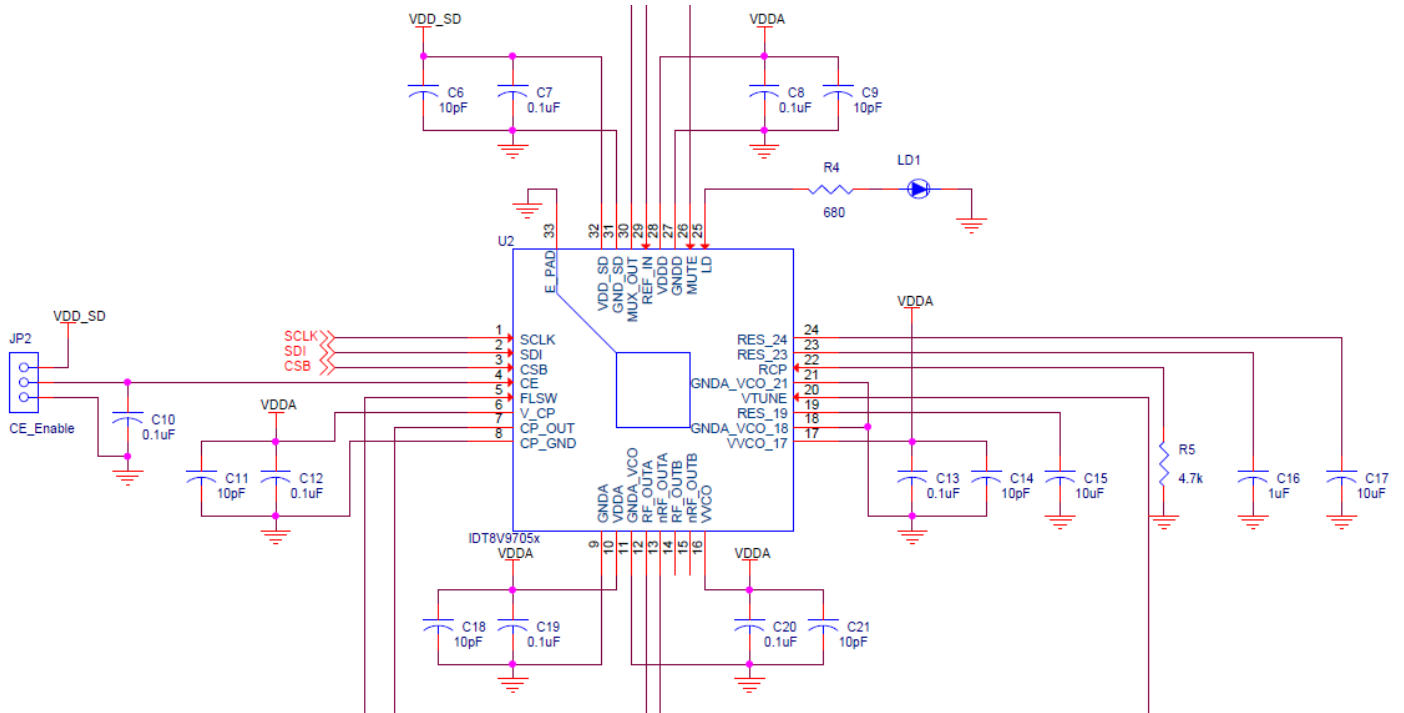


Figure 9. 8V9705x DUT Schematic



Powering from an External Supply

The evaluation board is by default configured to power through USB. (See JP3 jumper position in Fig. 1). To power the device from an external supply:

- 1) Set JP3 to the position shown in Figure 9.
- 2) Connect an external 4V supply to LDO_PWR (J6).
- 3) Connect the external supply Ground to GND (J7).

Figure 10. External Power Configuration

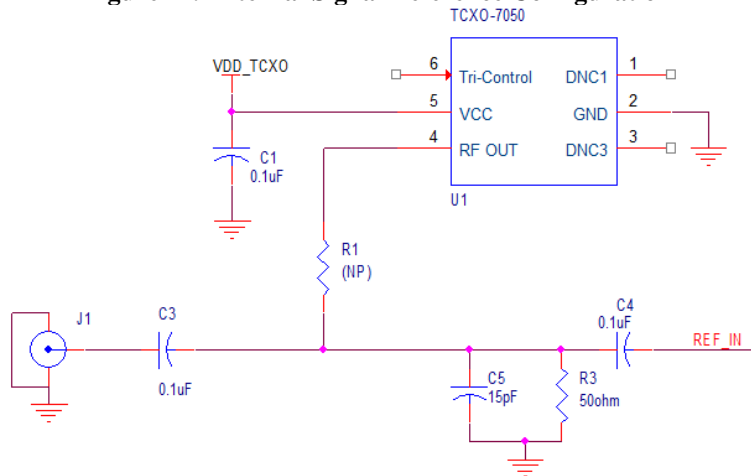


External Signal Reference Configuration

An on-board 25MHz TXCO provides the default source for RF_IN. In order to evaluate the device using an external signal reference, the following changes must be implemented:

- 1) Remove R20. This powers down the TXCO.
- 2) Remove R1. This disconnects the TXCO from the input path.
- 3) If the external signal can be ac-coupled, then populate C3=0.1uF. For dc termination to ground, C3=0ohm.
- 4) Populate R3=50ohm. This provides a termination for the input signal.
- 5) Replace C4=0.1uF. The input is ac-coupled into the device, which provides its own internal re-bias.
- 6) Connect the external signal reference to J1 using a 50-ohm cable.

Figure 11. External Signal Reference Configuration



DC Controls

JP1 MUTE control: RF_OUTA and RF_OUTB Power-Down. A logic low on this pin mutes the RF_OUT outputs and puts them in High-Impedance. This function is also SPI controllable and in this case also allows the power down of either RF_OUTA or RF_OUTB. This jumper can be left floating for normal operation.

JP2 Chip Enable: Powers down the device on logic Low, with charge pump put into a High-Impedance mode. Powers up the device on logic High. This jumper can be left floating for normal operation.

For more questions or support, feel free to contact us at clocks@idt.com

IMPORTANT NOTICE AND DISCLAIMER

RENESAS ELECTRONICS CORPORATION AND ITS SUBSIDIARIES (“RENESAS”) PROVIDES TECHNICAL SPECIFICATIONS AND RELIABILITY DATA (INCLUDING DATASHEETS), DESIGN RESOURCES (INCLUDING REFERENCE DESIGNS), APPLICATION OR OTHER DESIGN ADVICE, WEB TOOLS, SAFETY INFORMATION, AND OTHER RESOURCES “AS IS” AND WITH ALL FAULTS, AND DISCLAIMS ALL WARRANTIES, EXPRESS OR IMPLIED, INCLUDING, WITHOUT LIMITATION, ANY IMPLIED WARRANTIES OF MERCHANTABILITY, FITNESS FOR A PARTICULAR PURPOSE, OR NON-INFRINGEMENT OF THIRD-PARTY INTELLECTUAL PROPERTY RIGHTS.

These resources are intended for developers who are designing with Renesas products. You are solely responsible for (1) selecting the appropriate products for your application, (2) designing, validating, and testing your application, and (3) ensuring your application meets applicable standards, and any other safety, security, or other requirements. These resources are subject to change without notice. Renesas grants you permission to use these resources only to develop an application that uses Renesas products. Other reproduction or use of these resources is strictly prohibited. No license is granted to any other Renesas intellectual property or to any third-party intellectual property. Renesas disclaims responsibility for, and you will fully indemnify Renesas and its representatives against, any claims, damages, costs, losses, or liabilities arising from your use of these resources. Renesas' products are provided only subject to Renesas' Terms and Conditions of Sale or other applicable terms agreed to in writing. No use of any Renesas resources expands or otherwise alters any applicable warranties or warranty disclaimers for these products.

(Disclaimer Rev.1.01 Jan 2024)

Corporate Headquarters

TOYOSU FORESIA, 3-2-24 Toyosu,
Koto-ku, Tokyo 135-0061, Japan
www.renesas.com

Trademarks

Renesas and the Renesas logo are trademarks of Renesas Electronics Corporation. All trademarks and registered trademarks are the property of their respective owners.

Contact Information

For further information on a product, technology, the most up-to-date version of a document, or your nearest sales office, please visit www.renesas.com/contact-us/.