

## Analog IP

# Temperature Sensor

### Overview

The Renesas Temperature Sensor IP including Analog Buffer outputs a analog voltage which corresponds to the detected temperature of LSI.

### Key Features

- Temperature range : -40 to 125 °C
- Relative accuracy : +/-7 °C @ -40 to 80 °C, +/-6 °C @ 80 to 125 °C

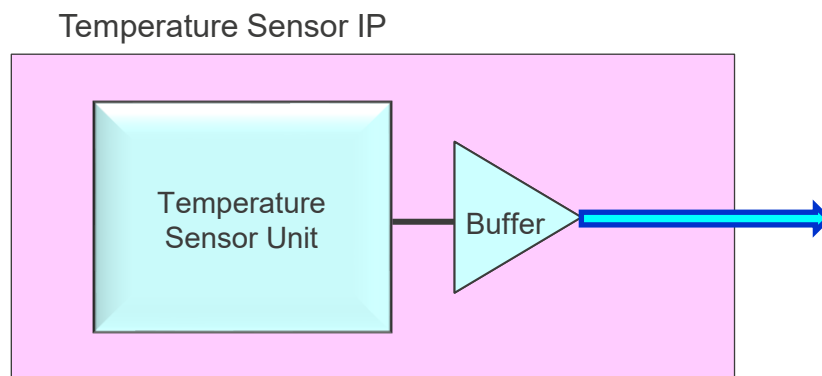
### Technology

Process : T28HPCplus

### Electrical characteristic

Parameter	Min	Typ	Max	Unit
Analog Voltage	1.7		1.9	V
Digital Voltage	0.98		1.08	V
Temperature Range	-40		125	°C
Relative Accuracy	-40 to 80 °C	-7	+7	°C
	80 to 125 °C	-6	+6	°C

### Block Diagram



*\*This IP is contract design IP. Please contact for detail.*

CTPD-24-154  
R06PF0115EJ0100