

Analog IP

Temperature Sensor

Overview

The Renesas Temperature Sensor IP including Analog Buffer outputs an analog voltage which corresponds to the detected temperature of LSI.

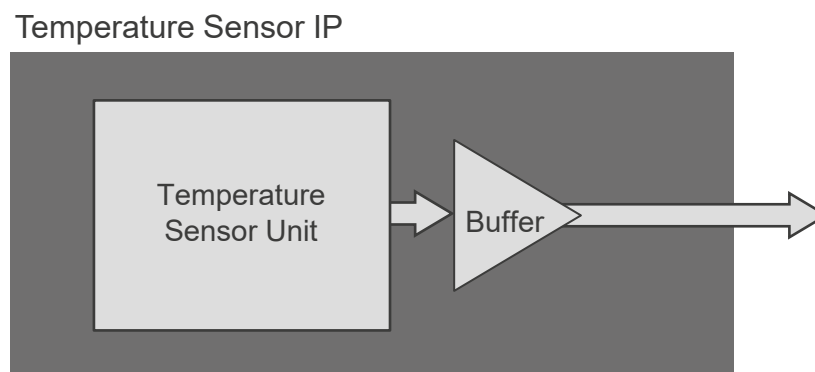
Technology

Process: TSMC T22ULP

Features

- Power Supply
 - VCC(Analog)=1.7 – 1.9V
 - VDD(Digital)=0.81 – 1.05V
- Temperature Range : -40 – 125°C
- Relative Temperature Accuracy (*Note): -7 – +7°C
 *Note: 2 points calibration is needed every IP.

Block diagram



R06PF0062EJ0102