

## ZMOD4410

Gas Sensor Module for TVOC and Indoor Air Quality

### Description

The [ZMOD4410](#) Gas Sensor Module is designed for easy implementation to detect total volatile organic compounds (TVOC), estimate CO<sub>2</sub>, and monitor indoor air quality (IAQ). The module works reliably in various conditions, including very humid and dusty applications with the possibility of water spray, condensation, or immersion. The small LGA assembly consists of a gas sensing element and a CMOS signal conditioning IC. The sensing element is a Si-based microhotplate with a robust and highly sensitive metal oxide (MOx) chemiresistor. The signal conditioner ASIC controls the sensor temperatures and measures the MOx conductivity, which is a function of the gas concentration. The measurement results are easily read using an I<sup>2</sup>C interface with the user's microprocessor, which processes the data.

The firmware configurable platform quickly enables different ZMOD4410 features based on machine learning algorithms and embedded artificial intelligence (AI) with Renesas pre-trained models and algorithms. This is used to determine and output TVOC concentration, IAQ rating according to UBA, estimated carbon dioxide (eCO<sub>2</sub>) level, and a relative IAQ rating based on total VOC. Alternate algorithms and firmware implementations can output an absolute TVOC concentration to meet Public Building Air Quality (PBAQ) standards, odor level changes, and discrimination between sulfur-based odors. With the ultra-low operating current consumption implementation, the ZMOD4410 is an excellent choice for low-voltage and ultra-low power battery applications.

### Typical Applications

- Indoor air monitoring to meet UBA and typical Public Building Air Quality (PBAQ) standards
- Monitor home, office, personal, and bathroom environments for healthy conditions and comfort
- Detect hazardous materials and unhealthy conditions (e.g., fumes from construction materials)
- Automation based on indoor ambient air quality (HVAC, air purifiers, thermostats, kitchen hoods, etc.)
- Ideal for indoor and outdoor applications (wearables, health bands, etc.)

### Features

- Sensor output based on AI machine learning algorithmic:
  - Absolute measurement of total organic compounds (TVOC) concentrations and indoor air quality (IAQ) to meet UBA air quality standard
  - Absolute TVOC output to meet Public Building Air Quality (PBAQ) standards
  - Relative IAQ output based on TVOC and odor changes
  - Estimated carbon dioxide level (eCO<sub>2</sub>)
  - Algorithm to discriminate sulfur-based odors
  - Compensation of environmental influences like humidity, temperature, and oxidizing gases
- High sensitivity to Hydrogen (H<sub>2</sub>) based on resistance output
- Ultra-low power (ULP) consumption down to 200µW
- Siloxane resistant
- JEDEC JESD47 qualified for 10 years lifetime
- Supply voltage: 1.7V to 3.6V
- RoHS compliant
- Water and dustproof version available (IP67 certified)
- Package: 12-LGA. Available assembly sizes:
  - 3.0 × 3.0 × 0.7 mm (standard version)
  - 3.0 × 3.0 × 0.9 mm (for IP67 version)

### Available Support

- Evaluation kits for USB and PMOD™ board
- Manuals, application notes, blog, and white papers, instructional videos
- Firmware with example codes, API, pre-compiled libraries, and algorithm support
- Third-party certified compliance with international IAQ standards and best available technology for eCO<sub>2</sub>



Figure 1. ZMOD4410 Gas Sensor

## Contents

<b>1. Overview</b>	<b>4</b>
1.1 Block Diagram	4
1.2 Application Circuit	4
<b>2. Pin Information</b>	<b>5</b>
2.1 Pin Assignments	5
2.2 Pin Descriptions	5
<b>3. Specifications</b>	<b>6</b>
3.1 Absolute Maximum Ratings	6
3.2 Electrical Characteristics	7
<b>4. Description of Operation Modes and Related Outputs</b>	<b>9</b>
4.1 IAQ Levels According to UBA	10
4.2 TVOC for Air Quality Standards	11
4.3 Relative IAQ Output	11
4.4 Estimated Carbon Dioxide Correlation (eCO <sub>2</sub> )	12
4.5 Sulfur-based Odor Discrimination (Sulfur Odor)	13
4.6 Sensor Module Algorithm and Firmware	13
<b>5. Sensor Module Characteristics</b>	<b>14</b>
5.1 General Characteristics	14
5.2 Sensitivity, Accuracy and Consistency	15
5.3 Conditioning, Sensor Self-Check Status, and Stability	17
5.4 Environmental Influences	18
<b>6. Assembly Restrictions, Operation, Integration Notes, and Storage</b>	<b>19</b>
<b>7. Test and Calibration</b>	<b>20</b>
<b>8. I<sup>2</sup>C Interface and Data Transmission Protocol</b>	<b>21</b>
<b>9. Related Information</b>	<b>23</b>
<b>10. Glossary</b>	<b>23</b>
<b>11. Package Outline Drawings</b>	<b>24</b>
<b>12. Marking Diagrams</b>	<b>24</b>
<b>13. Ordering Information</b>	<b>25</b>
<b>14. Revision History</b>	<b>25</b>

## Figures

Figure 1. ZMOD4410 Gas Sensor .....	1
Figure 2. Block Diagram .....	4
Figure 3. Application Circuit.....	4
Figure 4. Pin Assignments for 12-LGA Module – Top View .....	5
Figure 5. TVOC Measurement According to Typical PBAQ Standards using ZMOD4410 .....	11
Figure 6. Scale of the Relative IAQ .....	12
Figure 7. Comparison of IAQ and Relative IAQ.....	12
Figure 8. Typical Graph of CO <sub>2</sub> Estimation in an Application.....	13
Figure 9. Typical ZMOD4410 Response to Levels of TVOC Described by UBA Using EPA Standard Mixture....	15
Figure 10. IAQ Accuracy and Consistency.....	16
Figure 11. Concentration Dependent Accuracy for eCO <sub>2</sub> .....	16
Figure 12. ZMOD4410 Typical Response Time and Signal Stability for TVOC Exposure.....	18
Figure 13. Humidity Influence at Three Different TVOC Concentrations .....	18
Figure 14. Typical Solder Profile.....	20
Figure 15. I <sup>2</sup> C Data Transmission Protocol .....	21
Figure 16. Bus Timing.....	22

## Tables

Table 1. Pin Descriptions.....	5
Table 2. Absolute Maximum Ratings .....	6
Table 3. Electrical Characteristics .....	7
Table 4. Overview of Output and Properties for Different Operation Modes.....	9
Table 5. Sample Rates, Warm-Up Samples and Time for ZMOD4410 Operation Modes.....	9
Table 6. Level of Indoor Air Quality Based on TVOC Levels Described by UBA.....	10
Table 7. Gas Sensor Module Specifications During Operation .....	14
Table 8. Typical ZMOD4410 Sensor Module Performances .....	16
Table 9. Typical Sensor Requirement to Meet a PBAQ Standard .....	16
Table 10. Final Test Parameters .....	20
Table 11. Bus Timing Characteristic.....	22
Table 12. Package Options .....	24

# 1. Overview

## 1.1 Block Diagram

Note: For definitions of abbreviations, see “Glossary.”

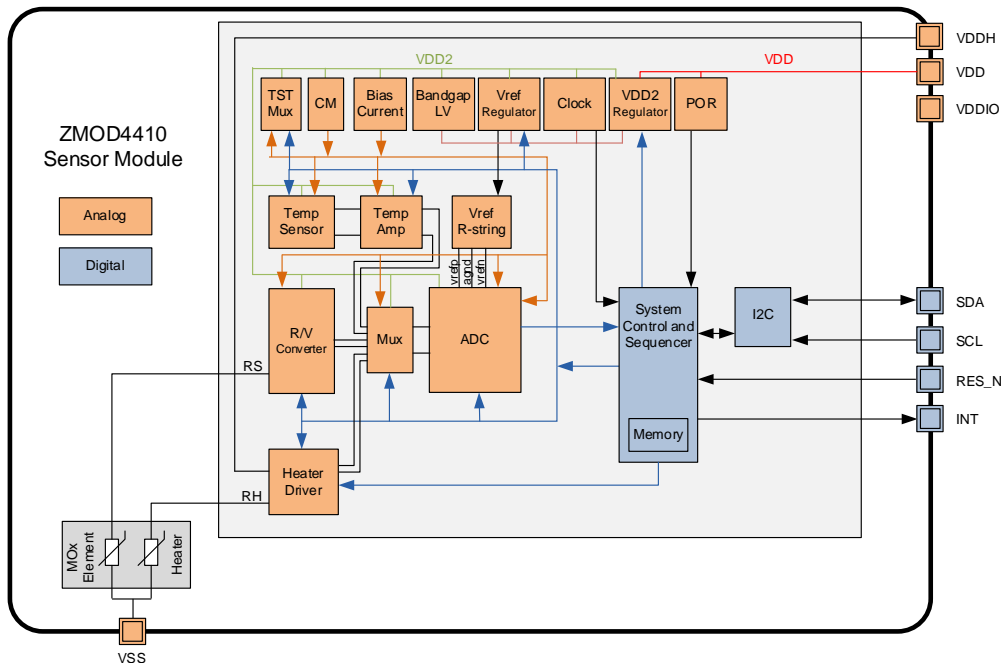


Figure 2. Block Diagram

## 1.2 Application Circuit

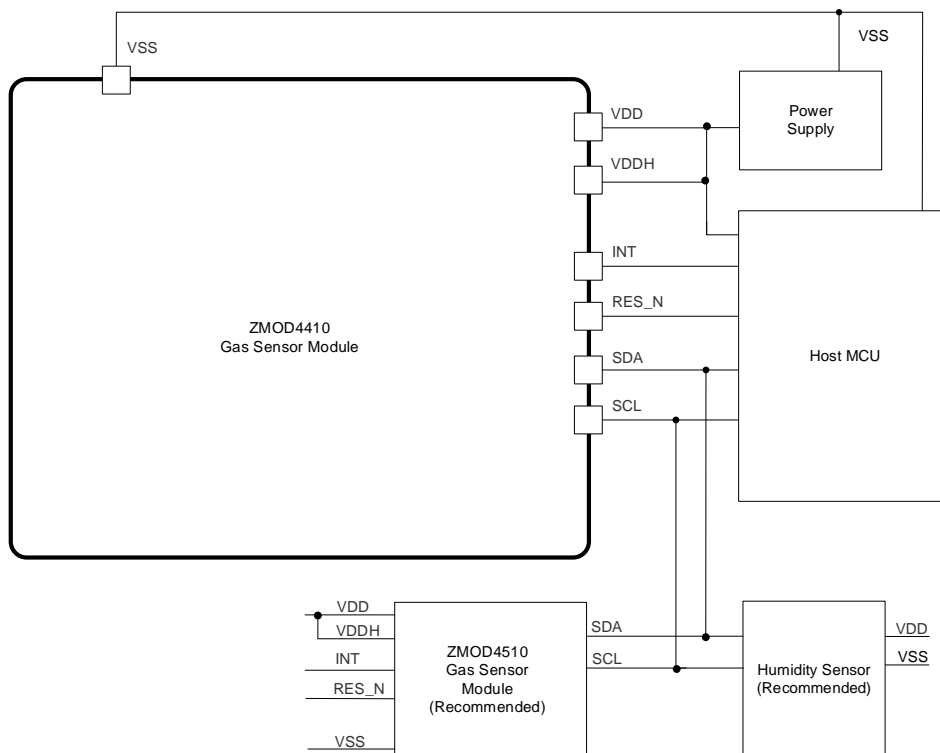


Figure 3. Application Circuit

## 2. Pin Information

### 2.1 Pin Assignments

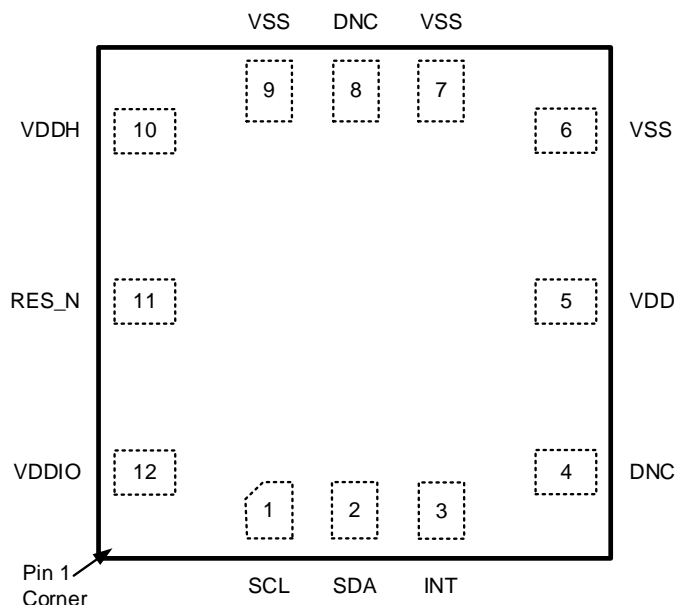


Figure 4. Pin Assignments for 12-LGA Module – Top View

### 2.2 Pin Descriptions

Table 1. Pin Descriptions

Pin Number	Name	Type	Description
1	SCL	Input	Serial clock for the I <sup>2</sup> C interface.
2	SDA	Input/Output	Serial data for the I <sup>2</sup> C interface. Default 7-bit slave address: 32 <sub>HEX</sub> .
3	INT	Output	Interrupt signal (push-pull): <ul style="list-style-type: none"> <li>▪ HIGH when a measurement is running</li> <li>▪ LOW when a measurement has finished</li> </ul> Note: Use edge detection on falling edge!
4	DNC	-	Do not connect.
5	VDD	Supply	Voltage supply for the ZMOD4410.
6	VSS	Ground	Ground reference for the ZMOD4410.
7	VSS	Ground	Ground reference for the ZMOD4410.
8	DNC	-	Do not connect.
9	VSS	Ground	Ground reference for the ZMOD4410.
10	VDDH	Supply	Voltage supply for the integrated heater in the ZMOD4410.
11	RES_N	Input	ZMOD4410 reset; active low.
12	VDDIO	Supply	Voltage supply for I/O-interface in ZMOD4410.

### 3. Specifications

#### 3.1 Absolute Maximum Ratings

The absolute maximum ratings are stress ratings only. The ZMOD4410 may not be operable outside the recommended operating conditions in Table 2. Stresses exceeding the absolute maximum ratings will change the sensor module accuracy, lead to imprecision, and eventually cause irreversible damage to the device. In addition, extended exposure to stresses above the recommended operating conditions may affect device reliability. Renesas does not recommend designing to the “Absolute Maximum Ratings”.

*Note:* The reference for all voltages is  $V_{SS}$ .

**Table 2. Absolute Maximum Ratings**

Symbol	Parameter	Minimum	Maximum	Unit
$V_{DD}, V_{DDH}, V_{DDIO}$	Maximum Analog and I/O Supply Voltage	-0.4	3.63	V
$V_{A\_IO}, V_{D\_IO}$	Maximum Voltage at all Analog and Digital I/O Pins	-0.5	$V_{DDIO} + 0.5$	V
	Maximum Difference in Voltage between VDD and VDDH Pins	-	0.4	V
$I_{IN}$	Input Current into any Pin except Supply Pins (Latch-Up Immunity)	-100	100	mA
$V_{HBM1}$	Electrostatic Discharge Tolerance – Human Body Model (HBM)	-	2000	V
$V_{CDM}$	Electrostatic Discharge Tolerance – Charged Device Model (CDM) on Packaged Module	-	750	V
$T_{AMB-MAX}$	Maximum Ambient Temperature Range of Sensor Module	-40	125	°C
$T_{STOR}$	Storage Temperature	-50	125	°C
$T_{OPERATION}$	Operation Temperature of Sensing Element <sup>[1]</sup>	-	550	°C

1. Controlled via API in firmware and EVK software.

### 3.2 Electrical Characteristics

The following values are valid at operating conditions unless noted otherwise.

Note: The reference for all voltages is  $V_{SS}$ .

**Table 3. Electrical Characteristics**

Symbol	Parameter	Conditions	Minimum	Typical	Maximum	Unit
$V_{DD}$	Recommended Supply Voltage		1.7	-	3.6	V
$P_{AVG}$	Average Power	IAQ 2 <sup>nd</sup> Gen and Sulfur Odor operation <sup>[1]</sup> $V_{DD} = 1.8V$	-	5.95	-	mW
		ULP operation <sup>[1]</sup> $V_{DD} = 1.8V$	-	0.197	-	mW
		PBAQ operation <sup>[1]</sup> $V_{DD} = 1.8V$	-	0.98	-	mW
$I_{PEAK}$	Peak Supply Current	$V_{DD} = 1.8V$	-	26.99	-	mA
		$V_{DD} = 3.3V$	-	16.32	-	mA
$I_{AVG}$	Average Supply Current	IAQ 2 <sup>nd</sup> Gen and Sulfur Odor operation <sup>[1]</sup> $V_{DD} = 1.8V$	-	3.31	-	mA
		IAQ 2 <sup>nd</sup> Gen and Sulfur Odor operation <sup>[1]</sup> $V_{DD} = 3.3V$	-	2.32	-	mA
$I_{AVG}$	Average Supply Current	ULP operation <sup>[1]</sup> $V_{DD} = 1.8V$	-	0.109	-	mA
		ULP operation <sup>[1]</sup> $V_{DD} = 3.3V$	-	0.078	-	mA
$I_{AVG}$	Average Supply Current	PBAQ operation <sup>[1]</sup> $V_{DD} = 1.8V$	-	0.546	-	mA
		PBAQ operation <sup>[1]</sup> $V_{DD} = 3.3V$	-	0.385	-	mA
$I_{SLEEP}$	Current during measurement delays	Sleep Mode ASIC	-	450	-	nA
PSRR	Power Supply Rejection Ratio	$V_{DD} \geq 2.0V$	-	30	-	dB
	Timing Accuracy (Valid for Measurements Only, Sleep Timer is $\pm 20\%$ )	At room temperature; for timings derived from the internal clock.	-2	-	2	%
		Over-temperature range; for timings derived from the internal clock.	-0.1	-	0.1	%/K
$r_{ADC}$	ADC Resolution		10	-	16	Bit
$t_{STA1}$	Start-up Time: $V_{DD}$ Ramp up to Interface Communication		-	-	1	ms
$f_{C,I2C}$	I <sup>2</sup> C Clock Frequency		-	-	400	kHz
$t_{VPP}$	NVM Programming Time		-	6	16	ms

Symbol	Parameter	Conditions	Minimum	Typical	Maximum	Unit
$t_{\text{RET\_FTP}}$	Data Retention	85°C junction temperature	10	-	-	years
-	NVM Programming Cycles		1000	-	-	cycles
-	Default I <sup>2</sup> C Communication Address	7-bit slave address	-	32 <sub>HEX</sub>	-	-
-	Blocking Capacitor for Power Supply	Ceramic type; recommended to be placed close to gas sensor module	100	-	-	nF
VIH	Logic Voltage Level High	Applies for RES_N, SCL, and SDA	0.7* $V_{\text{DDIO}}$	-	-	-
VIL	Logic Voltage Level Low	Applies for RES_N, SCL, and SDA	-	-	0.3* $V_{\text{DDIO}}$	-

1. Operation modes are explained in "Description of Operation Modes and Related Outputs".



## 4. Description of Operation Modes and Related Outputs

The ZMOD architecture leverages different “Methods of Operation” (Operation Modes), which use time, temperature, and signatures from gases that enable unique signals from a highly trained machine learning system and makes use of embedded artificial intelligence (AI) technology. This section discusses the different operation modes of the ZMOD4410 as well as their corresponding outputs and properties. An overview is provided in Table 4.

The following operation modes and corresponding firmware packages are released <sup>[1]</sup>:

- **IAQ 2<sup>nd</sup> Gen:** IAQ and TVOC Firmware – 2nd generation algorithms (recommended for new designs)
- **ULP:** IAQ and TVOC Firmware for Ultra-Low Power
- **PBAQ:** IAQ and TVOC Firmware for Public Building Air Quality (PBAQ) Standards
- **Sulfur Odor:** Sulfur-based Odor Discrimination Firmware

*Note:* On one physical device only one operation mode should run continuously. Switching of modes should not be done during device operation.

**Table 4. Overview of Output and Properties for Different Operation Modes**

Operation Mode	Output						Properties	
	<a href="#">IAQ Rating</a>	<a href="#">TVOC [mg/m<sup>3</sup>] and [ppm]</a>	<a href="#">eCO<sub>2</sub> [ppm]</a>	<a href="#">Relative IAQ Rating</a>	<a href="#">Odor Intensity Level and Classifier</a>	Raw Resistance Signal [Ohm]	Ultra-low Power	Support Building Standards
IAQ 2 <sup>nd</sup> Gen	✓	✓	✓	✓	-	✓	-	-
ULP	✓	✓	✓	✓	-	✓	✓	-
PBAQ	✓	✓ <sup>[1]</sup>	-	✓	-	✓	-	✓
Sulfur Odor	-	-	-	-	✓	✓	-	-

1. Due to low TVOC concentrations expected for PBAQ operation, the concentration is given in [µg/m<sup>3</sup>] and [ppb].

By default, the IAQ 2<sup>nd</sup> Gen operation should be used for new designs due to best accuracy over wide TVOC detection range compared to other operation modes. Table 5 provides an overview of recommended ZMOD4410 operation modes including their sample rate and the warm-up (stabilization) samples after each power-on. The warm-up times are fixed, and algorithm results should be considered only after the warm-up.

**Table 5. Sample Rates, Warm-Up Samples and Time for ZMOD4410 Operation Modes**

Operation Mode	Sample Rate (Seconds)	Warm-Up Samples Upon Start	Warm-Up Time (Min.)
IAQ 2 <sup>nd</sup> Gen	3	60	3
ULP	90	10	15
PBAQ	5	36	3
Sulfur Odor	3	60	3

<sup>1</sup> The previous IAQ 1<sup>st</sup> Generation, IAQ 1<sup>st</sup> Generation Low Power and Odor operation modes are legacy and not recommended for new designs.

The following sections provide information on TVOC gases, concentrations, and thresholds given by the German Federal Environmental Agency (UBA)<sup>[2]</sup> and the US Environmental Protection Agency (EPA) and for Public Building Standards. These standards provide reliable information on indoor air quality and recommendations for air improvements if necessary. Furthermore, the non-standardized relative IAQ output and the CO2 estimation is described. All graphs and information show the typical responses that are to be expected from the sensor module upon exposure to a variety of test conditions.

### 4.1 IAQ Levels According to UBA

The IAQ 2nd Gen, ULP, and PBAQ algorithms provided for the user’s microprocessor use the output from the ZMOD4410 to determine the level of TVOC gases present (see *ZMOD4410 Programming Manual – Read Me*; see also section 4.6). The algorithms feature an automated baseline correction function, ensuring that the module can learn from its environment and distinguish elevated levels of TVOC under all conditions. The proprietary metal oxide (MOx) used in the sensor module allows it to respond effectively to changing TVOC levels during long-term operation.

Renesas has adopted the definition of TVOCs and their impact on user health and comfort proposed by the UBA (see Table 6). The ZMOD4410 can detect the presence of elevated TVOC levels as described in the UBA study.<sup>[2]</sup>

There are many sources of poor indoor air quality that can elevate TVOC levels in the typical home or office environments, and the types of TVOC that might be present can vary widely. Additional information on this topic is available in Renesas’ *ZMOD4410 White Paper – Overview of TVOC and Indoor Air Quality*.

**Table 6. Level of Indoor Air Quality Based on TVOC Levels Described by UBA**

Renesas IAQ Rating	Reference Level	Air Information	TVOC (mg/m <sup>3</sup> ) <sup>[1]</sup>	Air Quality
≤ 1.9	Level 1	Clean Hygienic Air (target value)	< 0.3	Very Good
2.0 to 2.9	Level 2	Good Air Quality (if no threshold value is exceeded)	0.3 to 1.0	Good
3.0 to 3.9	Level 3	Noticeable Comfort Concerns (not recommended for exposure > 12 months)	1.0 to 3.0	Medium
4.0 to 4.9	Level 4	Significant Comfort Issues (not recommended for exposure > 1 month)	3.0 to 10.0	Poor
≥ 5.0	Level 5	Unacceptable Conditions (not recommended)	> 10.0	Bad

1. Conversion from mg/m<sup>3</sup> to ppm for many common TVOC is by the factor approximately 0.5 (e.g., 10mg/m<sup>3</sup> equals approximately 5ppm). Conversion from ppm to ppb and from mg/m<sup>3</sup> to µg/m<sup>3</sup> is by the factor 1000 (e.g., 0.1ppm equals 100ppb).

<sup>2</sup> Umweltbundesamt, *Beurteilung von Innenraumluftkontaminationen mittels Referenz- und Richtwerten*, (Bundesgesundheitsblatt - Gesundheitsforschung - Gesundheitsschutz, 2007).

## 4.2 TVOC for Air Quality Standards

The TVOC output for IAQ 2<sup>nd</sup> Gen operation is tailored to the ranges described by UBA (compare with Table 6). While the PBAQ operation mode is used for absolute measurements of TVOC to meet Public Building Air Quality (PBAQ) standards released globally.<sup>[3][4]</sup> PBAQ standards promote health, cognitive scores, and well-being in buildings. Several aspects of environmental parameters are evaluated, including TVOC.

TVOC sensors must have very high resolution in the low  $\mu\text{g}/\text{m}^3$  (ppb) concentration range, which is fulfilled using the Renesas ZMOD4410 gas sensor module with the PBAQ algorithm firmware. A comparison with a reference is shown in Figure 5 and ranges are described in section 5.2.

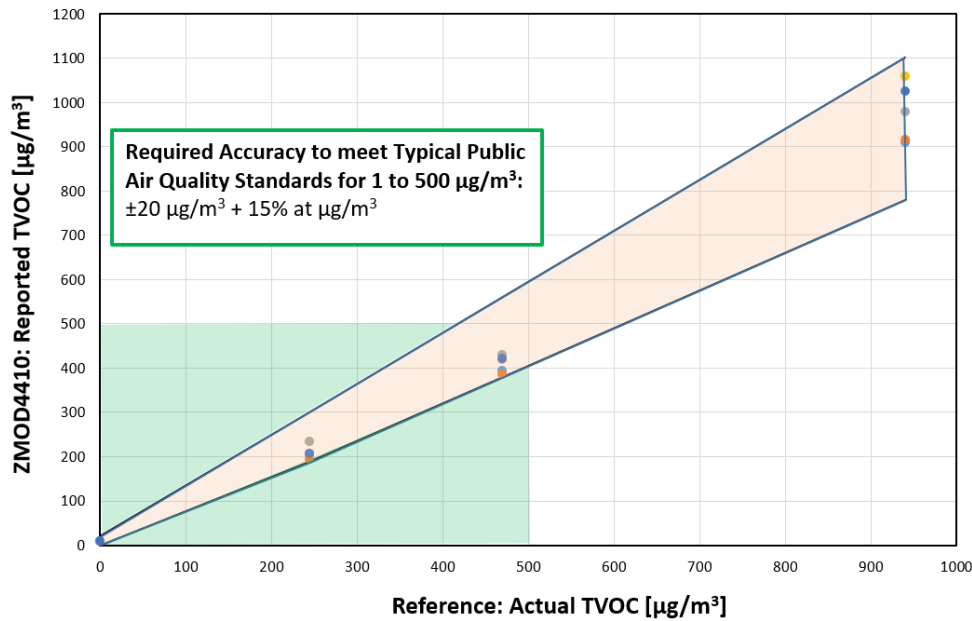


Figure 5. TVOC Measurement According to Typical PBAQ Standards using ZMOD4410

The downloadable firmware and evaluation kit software for the ZMOD4410 allows it to meet different Public Building Air Quality standards. However, it should be highlighted that PBAQ standards usually require calibration of the final product itself. In addition, all sensors measuring air quality parameters need to be recalibrated or replaced annually. To receive the *Renesas PBAQ Calibration Guidelines* with detailed information on calibration procedure, contact Renesas via the contact information on the website. An additional parameter provided is the relative IAQ output to enable further possibilities of accreditation.

## 4.3 Relative IAQ Output

The relative IAQ output is available for IAQ 2<sup>nd</sup> Gen, ULP, and PBAQ mode. The advantage of this output is an easy establishment of threshold limits to trigger actions (e.g., turn on a fan for ventilation) in which case no absolute TVOC concentration readings are needed. Also, this algorithm behaves similar to the human nose, in which small concentration changes are rapidly detected with high sensitivity while very slow changes are suppressed. The sensor will react immediately to all TVOC, but the algorithm uses a time constant of 24 hours for a full decay. In the case where no change in air quality takes place within this time, the algorithm will

<sup>3</sup> IWBI, WELL Performance Verification Guidebook (International WELL Building Institute PBC), 2023. For more information about the WELL standard, see [WELL](#); for information about the WELL specification, see [specification](#).

<sup>4</sup> Regenerative Ecological, Social, and Economic Targets (RESET), Air Standards for Accredited Monitors v2.0, 2018. For more information about the RESET standard, see [RESET](#); for information about the RESET specification, see [specification](#).

converge to an index of 100. This scale index is defined in the style of the EPA scale for Outdoor Air Quality <sup>[5]</sup> as shown in Figure 6.

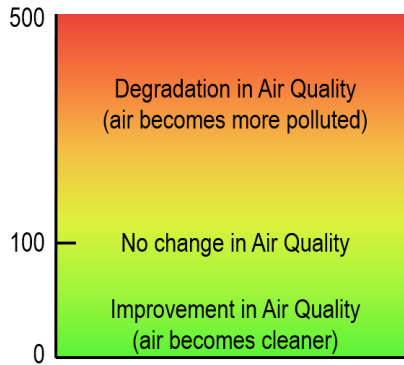


Figure 6. Scale of the Relative IAQ

Figure 7 provides a comparison of the IAQ output (see section 4.1) and the Relative IAQ output for a week of data collection in an indoor environment. Events such as opening a window during the day and night and trends in TVOC are clearly visible on both outputs. While the Relative IAQ appears smoother, it is more sensitive to changes in TVOC and begins to adapt (decrease) at high TVOC exposures over time.

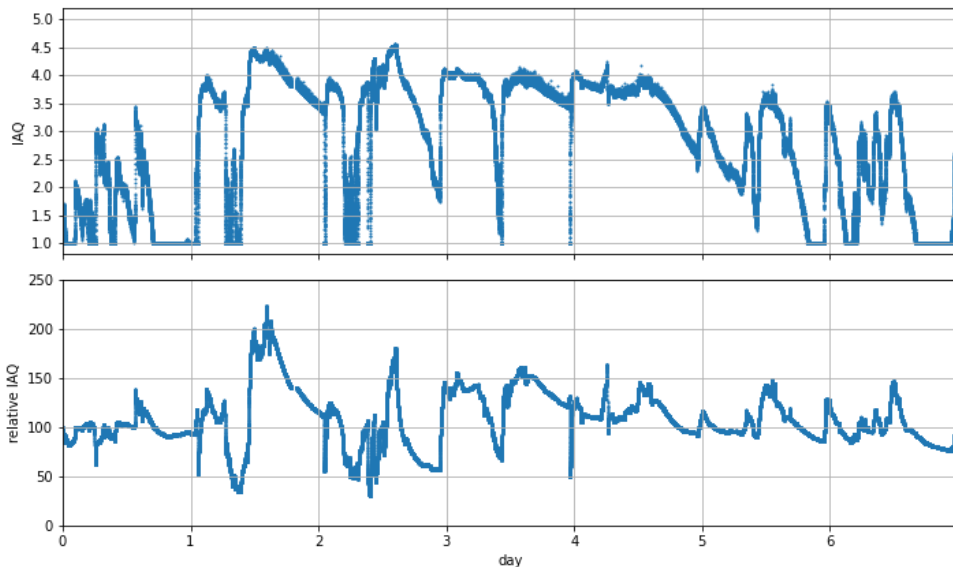


Figure 7. Comparison of IAQ and Relative IAQ

#### 4.4 Estimated Carbon Dioxide Correlation (eCO<sub>2</sub>)

A very reliable correlation can be made based on TVOC levels for situations where an elevated carbon dioxide (CO<sub>2</sub>) concentration is caused by human occupancy, although the sensor module is not directly responsive to CO<sub>2</sub>. Renesas has developed a robust, patent pending, correlation algorithm between elevated TVOCs and CO<sub>2</sub> attributable to human occupancy in a wide variety of living spaces, including homes and offices. The measurement range for the eCO<sub>2</sub> has its minimum at the atmospheric background level at 400ppm and ranges up to 5000ppm. The correlation can predict the CO<sub>2</sub> level as shown in Figure 8. Additional details about Renesas' CO<sub>2</sub> correlation algorithm are available in the *ZMOD4410 Application Note – Estimating Carbon Dioxide*. The Estimated Carbon Dioxide output is available for IAQ 2<sup>nd</sup> Gen and ULP operation mode.

<sup>5</sup> For more information on Outdoor Air Quality and how to detect it, see the [ZMOD4510](#) product page.

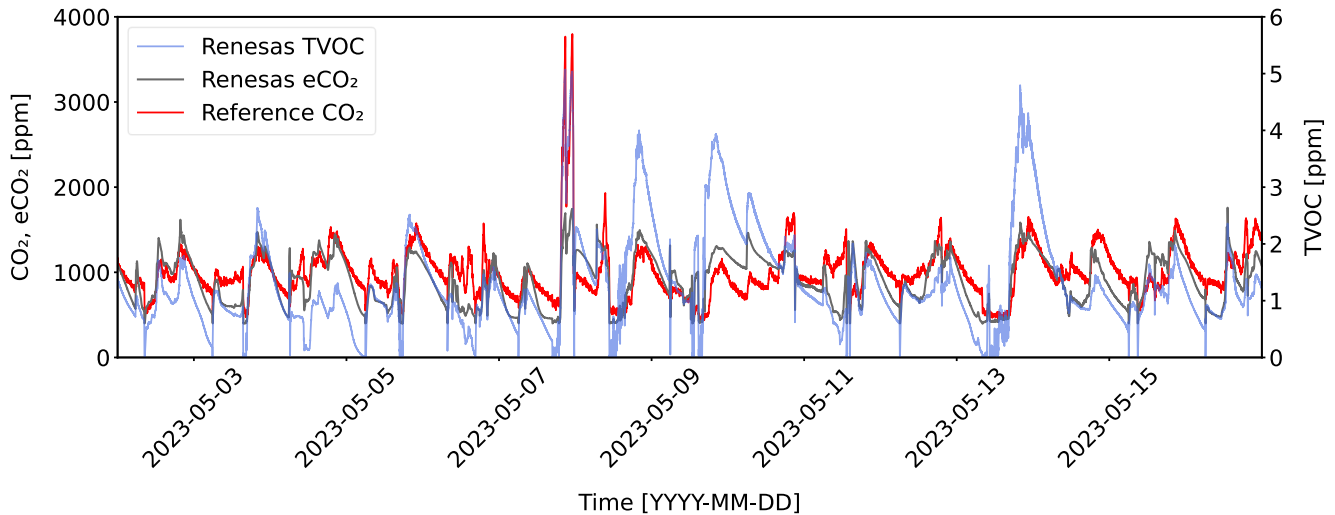


Figure 8. Typical Graph of CO<sub>2</sub> Estimation in an Application

#### 4.5 Sulfur-based Odor Discrimination (Sulfur Odor)

The Sulfur Odor operation mode can be used to identify whether a sulfur-smelling odor is present. When the target gas families have been defined through analysis, a sweeping method allows for chemical discrimination. A machine learning embedded artificial intelligence (AI) algorithm makes use of a MO<sub>x</sub> surface temperature array to get to a selectivity approach.

This operation mode classifies the odors in “sulfur” (sulfur-based) and “acceptable” (organic based) and shows an intensity level of the smell. Acceptable odors are, for example, originate from air refreshers, soaps, perfumes, etc., while bad smelling sulfur-based odors originate from personal odors in bathrooms. Because impression of smell is very unique, there may be overlaps with how people perceive odors. To integrate this in an algorithm, a highly trained Neural Network is using typical chemical signatures from Hydrogen sulfide (H<sub>2</sub>S) and Dimethyl sulfide (DMS, C<sub>2</sub>H<sub>6</sub>S). A range of organic sulfur compounds are considered from the low ppb to the ppm range. The typical sample rate is 3 seconds, but the algorithm may need a few samples for the correct classification.

The Sulfur Odor firmware was developed based on known commercially available products that represent both bad and acceptable odors. Other places with unknown chemical signatures can lead to incorrect algorithm results. Training the sensor module and developing the discrimination for other gases and applications may be considered for future releases.

#### 4.6 Sensor Module Algorithm and Firmware

To operate the ZMOD4410, the software and libraries provided by Renesas should be used. The algorithm for the user’s microprocessor always uses the raw output signals from the ZMOD4410, which are resistances, to determine the level of gases present. Depending on the microprocessor and compiler used, the firmware and its algorithms require 20 to 40 kB flash size. All algorithms feature an automated baseline correction function, ensuring that the module can learn from its environment and distinguish elevated levels of gases under all conditions. The proprietary metal oxide (MO<sub>x</sub>) used in the sensor ensures that the sensor module can respond effectively to changing TVOC during long-term operation. Therefore, the user focus should always be on the relevant output parameters: The IAQ level according to UBA, the TVOC concentration (available in mg/m<sup>3</sup> and as Ethanol equivalent in ppm), and/or the estimation of carbon dioxide (eCO<sub>2</sub>).

For implementing the sensor module in a customer-specific application, detailed information on the programming is available. More information and guidance on the firmware integration, architecture, and supported platforms are available in the *ZMOD4410 Programming Manual – Read Me*. Code Examples in C and additional firmware descriptions for API, HAL, libraries, etc., are included at no cost in the downloadable firmware package from the [ZMOD4410](#) product page.

## 5. Sensor Module Characteristics

This section describes general sensor module specific characteristics like measurement and operational ranges. In addition, details for accuracy, sensitivity, reliability, sample rates, and sensor module influences are explained in detail in the following sections. Additional technical information on sensitivity, selectivity, and stability for all operation modes is available in Renesas' *ZMOD4410 Application Note – TVOC Sensing*.

### 5.1 General Characteristics

The ZMOD4410 Gas Sensor Module is designed to detect typical TVOC contaminations based on studies and international standards for indoor air quality. In parallel to TVOC detection, it also responds impressively, but not selectively, to Hydrogen (H<sub>2</sub>) in the full parts-per-million range. General characteristic module parameters are shown in Table 7. The response time for a gas stimulation is always within a few seconds, depending on the specific gas molecule and its concentration. An active or direct airflow onto the sensor module is not necessary because diffusion of ambient gas does not limit the sensor module's response time.

**Table 7. Gas Sensor Module Specifications During Operation**

Symbol	Parameter	Conditions	Minimum	Typical	Maximum	Unit
-	Raw Resistance Measurement Range	Ethanol or Hydrogen in air	0	-	1000	ppm <sup>[1]</sup>
-	IAQ and TVOC specified Measurement Range to meet UBA <sup>[2]</sup>	Ethanol in air	160	-	10000	ppb <sup>[1]</sup>
-	IAQ and TVOC specified Measurement Range for PBAQ	Ethanol in air	1	-	2000	µg/m <sup>3</sup>
-	Cross-sensitivity on TVOC output	Compensated TVOC increase after stimulation with oxidizing gas (10ppb ozone) <sup>[3]</sup>	-	0	-	ppm
		Uncompensated TVOC increase after stimulation with oxidizing gas (10ppb ozone)	-	1.2	-	ppm
RH <sub>AMB</sub>	Humidity Range for Sensor Module Operation	All ZMOD operations except PBAQ operation, Non-condensing	0	-	90	% RH
		Specification to meet PBAQ, Non-condensing	-	50	-	% RH
T <sub>AMB</sub>	Temperature Range for Sensor Module Operation	All operation modes except PBAQ, Non-condensing	-40	-	+65	°C
		Specification according to PBAQ, Non-condensing	-	21	-	°C
T-80	Sensor Module Response Time <sup>[4]</sup>	Samples needed to change to 80% of end value (all operation modes except ULP)	-	15	-	Samples

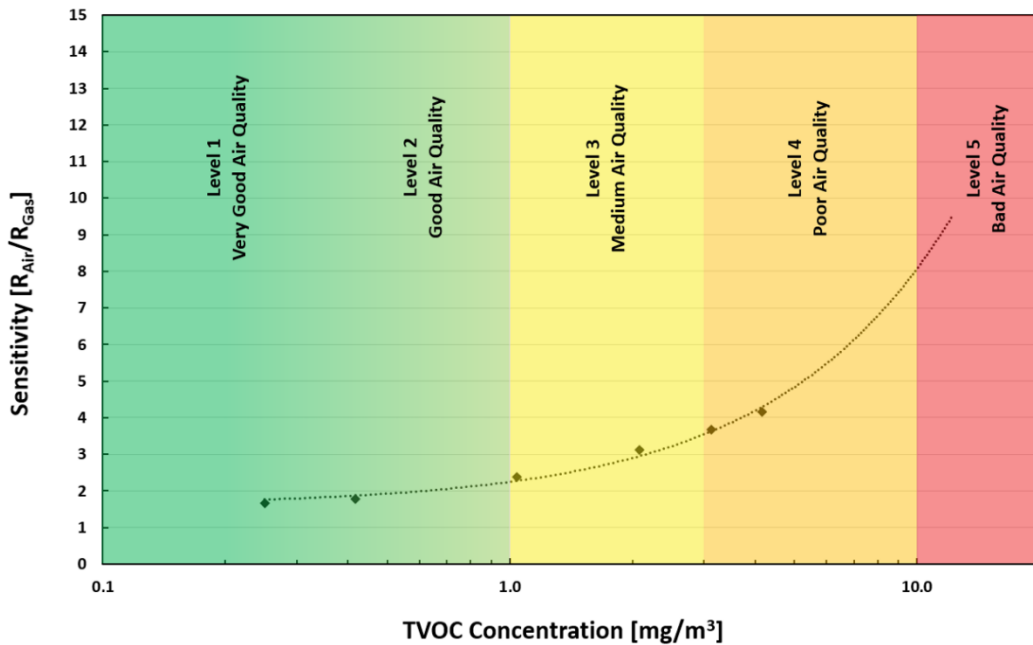
1. Conversion from mg/m<sup>3</sup> to ppm for many common TVOC is by the factor approximately 0.5 (e.g., 10mg/m<sup>3</sup> equals approximately 5ppm). Conversion from ppm to ppb is by the factor 1000 (e.g., 0.1ppm equals 100ppb).
2. Source: Umweltbundesamt, Beurteilung von Innenraumluftkontaminationen mittels Referenz- und Richtwerten, (Bundesgesundheitsblatt – Gesundheitsforschung – Gesundheitsschutz, 2007).
3. For compensation, the gas sensor ZMOD4510 is needed.
4. Response times depend on TVOC gas and concentration.

*Important:* The ZMOD4410 also can detect safety-relevant gases for indoor air, such as carbon monoxide (CO); however, the sensor module is not designed to detect these interferants reliably and therefore it is not approved for use in any safety-critical or life-protecting applications. It must not be used in such applications, and Renesas disclaims all liability for any such use.

## 5.2 Sensitivity, Accuracy and Consistency

All Renesas gas sensor modules come with electrical and chemical factory calibration with data stored in the module’s nonvolatile memory (NVM). Using the algorithms provided by Renesas and the calibration coefficients in the NVM will lead to stable measurement of the IAQ levels according to UBA discussed in section 4.1 with a maximum deviation of ±1 category over the module’s lifetime.

The ZMOD4410 can respond reliably to all types of organic compounds that are typically found in indoor environments. To assess the response of the gas sensor module to the levels described in the UBA study, the module has been tested using several TO-15/17 multi-component TVOC standards defined by the EPA. The ZMOD4410 response to the EPA standard with the TVOC levels from UBA is shown in Figure 9. A third-party report and certification from an independent research lab are available on the Renesas website that confirms the good conformity for IAQ measurements with respect to the UBA study and EPA standard.



**Figure 9. Typical ZMOD4410 Response to Levels of TVOC Described by UBA Using EPA Standard Mixture**

*Note:* TVOC is a subset comprising 25 of the EPA’s TO-15/17 certified mixtures.

Typical IAQ accuracy and consistency in an appropriate system implementation are displayed in Table 8 and Figure 10. The accuracy for Renesas eCO2 algorithm was verified on more than 20000 measurements and is shown in Figure 11. To meet a PBAQ standard a TVOC sensor must fulfill a specification as typically seen in Table 9.

Table 8. Typical ZMOD4410 Sensor Module Performances

Parameter	Conditions	Minimum	Typical	Maximum	Unit
Accuracy for IAQ	Full UBA range <sup>[1]</sup>	-	± 1	-	IAQ
Accuracy for IAQ Ultra-Low Power	Full UBA range <sup>[2]</sup>	-	± 1	-	IAQ
Consistency for IAQ	Part-to-Part Variation <sup>[3]</sup>	-	± 10	-	%

1. With a 95% confidence based on more than 26500 measurements with 280 sensor modules.
2. With 82% confidence based on more than 3500 measurements with 104 sensor modules.
3. Based on more than 30000 measurements with 380 sensor modules.

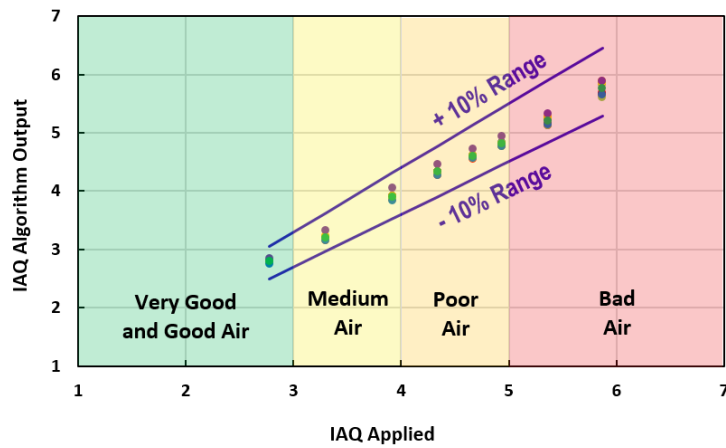


Figure 10. IAQ Accuracy and Consistency

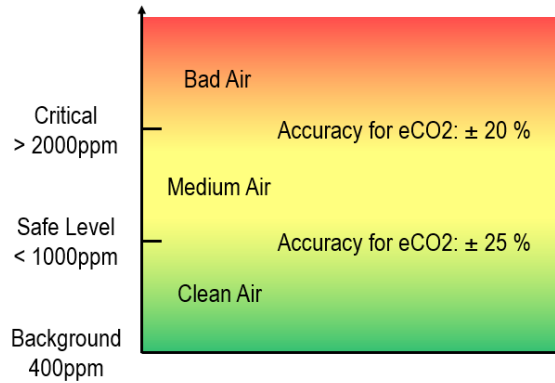


Figure 11. Concentration Dependent Accuracy for eCO2<sup>6</sup>

Table 9. Typical Sensor Requirement to Meet a PBAQ Standard

Parameter	Unit	Typical Range	Typical Accuracy	Resolution	Calibration Gas
TVOC	ppb or µg/m <sup>3</sup>	1 to 2000 µg/m <sup>3</sup> <sup>[1]</sup>	(± 20 µg/m <sup>3</sup> + 15%) at 1 to 1000 µg/m <sup>3</sup>	1 µg/m <sup>3</sup>	Ethanol

1. Maximum output for this algorithm capped at 6000µg/m<sup>3</sup>.

<sup>6</sup> eCO2 accuracy can only be achieved if no artificial or non-human VOC sources are present.



### 5.3 Conditioning, Sensor Self-Check Status, and Stability

The cleaning conditions the sensor material and helps to remove contaminants (e.g., solder flux and vapours). The cleaning process takes 1 minute<sup>[7]</sup>. Cleaning can only be performed once during the lifetime of the sensor and is recommended after PCB assembly (e.g., during final production test or at the end customer). The cleaning function automatically ensures that cleaning is performed only once. This is done by writing a control bit into the sensor module's NVM. It is important not to interrupt the cleaning process while it is running.

The ZMOD4410 will respond to TVOC immediately upon start-up; however, a conditioning period of at least 48 hours of continuous operation in an ambient environment is recommended to improve stability and obtain maximum performance.

The sensor module has a self-check for its general functionality. With every measurement the algorithm performs an internal check of resistances to identify potential damage (i.e., a damage error). If a damage error lasts longer than 1 hour then the following are possible reasons:

- Improper or open solder contacts
- High contamination on sensor material surface
- Broken MEMS membrane
- MOx material delamination
- Oxygen depletion on sensor surface
- Sometimes an extremely high VOC stimulation can cause a damage error output

The following measures can solve this issue:

- Check your production to ensure proper soldering. Use a proper soldering paste with correct temperature profile (see "Assembly Restrictions, Operation, Integration Notes, and Storage").
- Find the source of sensor surface contamination during production (e.g., solder vapors, cleaning chemicals) and try to avoid them. Make sure to have executed the cleaning procedure after the assembly.
- Make sure the sensor module's vent hole is not blocked because of protection paints or high dust/dirt accumulation.
- Do not use or store the sensor in an atmosphere without oxygen (e.g., pure nitrogen).

*Note:* The self-check functionality is not available for the Sulfur-Odor Discrimination operation mode.

---

<sup>7</sup> For Sulfur Odor operation the cleaning takes 10 minutes.

Figure 12 shows the ZMOD4410 sensor module’s raw data response to clean air with 30%RH and its response to 5ppm, 10ppm, and 20ppm ethanol mixed in clean air. The sensor module signal is a very stable, fast changing, and repeatable sensor module signal with a high sensitivity.

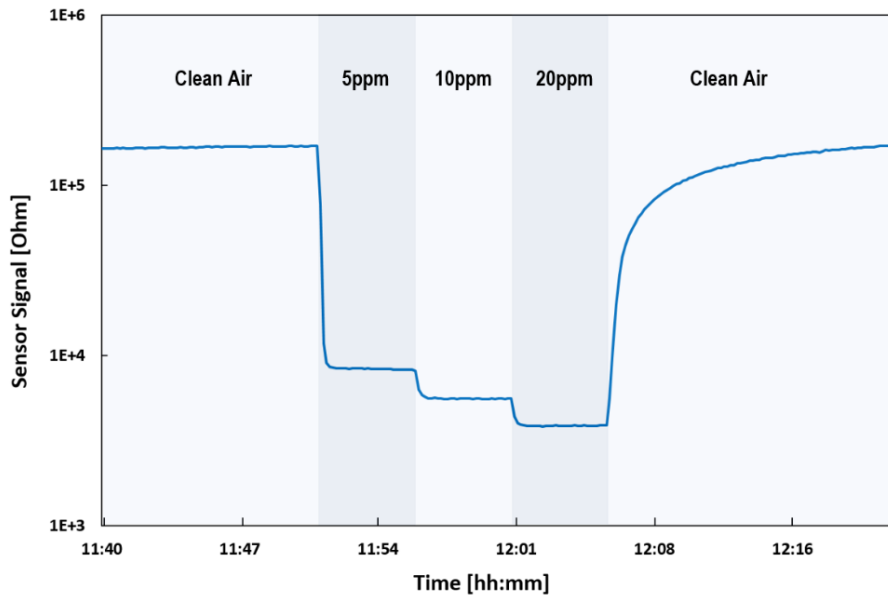


Figure 12. ZMOD4410 Typical Response Time and Signal Stability for TVOC Exposure

### 5.4 Environmental Influences

Although the ZMOD4410 sensor module is tested, qualified, and functional in the range of -40°C to +65°C, the best performance according to its calibration is achieved in the temperature range of 0°C to +40°C. Figure 13 shows the module’s response to variations in the range from 15% to 65% relative humidity for different ethanol concentrations.

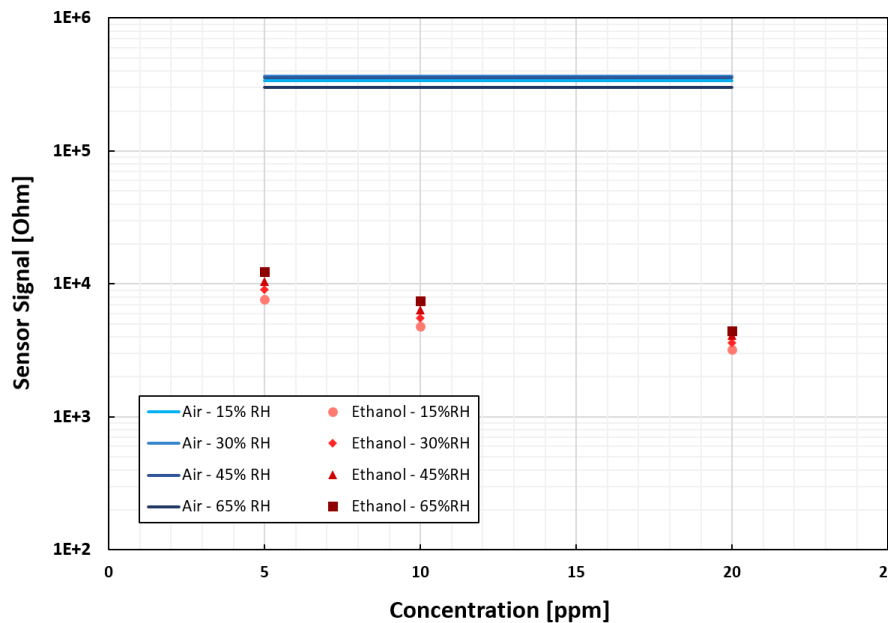


Figure 13. Humidity Influence at Three Different TVOC Concentrations

Temperature or relative humidity compensation are not required but are recommended for best performance. Use a humidity and temperature sensor in conjunction with the ZMOD4410 whenever possible. If relative humidity and temperature values are provided to the algorithm, the ZMOD4410 automatically uses these values

for compensation. If no humidity and temperature sensor is available, provide the algorithm with the default temperature = -300°C. This enables the internal temperature measurement of the ZMOD4410. If no humidity data is provided, this parameter is recommended to be set to 50% RH for standard indoor applications. The Sulfur Odor Discrimination algorithm does not support or require any temperature or humidity compensation.

For some environments, an interference response to siloxanes is of concern; however, the ZMOD4410 has proven to be resistant against siloxanes. A maximum potential lifetime exposure has been simulated in all ZMOD4410 operation modes by applying the chemicals D4 (octamethylcyclotetrasiloxane) and D5 (decamethylcyclopentasiloxane) in high concentration for several hundred hours. For more information on test conditions and results, see *ZMOD4410 Application Note – TVOC Sensing*.

Outdoor air including oxidizing gases may interfere with the ZMOD4410's TVOC reading. In this use case, Renesas also recommends using the sensor module ZMOD4510 Gas Sensor for Ozone and Nitrogen Dioxide for compensation. ZMOD4410 can identify oxidizing gases with the help of ZMOD4510 and reduce the influence on their outputs.<sup>8</sup> The compensation is automatically activated after 30 minutes.<sup>9</sup> For most indoor environments this compensation is not necessary since these gases occur mainly outdoors and are not stable indoors.

## 6. Assembly Restrictions, Operation, Integration Notes, and Storage

When implementing the ZMOD4410 in electrical circuit boards a gas sensor module may react to chemicals during the assembly process and to outgassing components, such as resins from the printed circuit board (PCB) assembly. A standard soldering profile can be used to assemble the ZMOD4410 on the user's PCB and should fulfill the IPC/JEDEC J-STD-020C Standard ("Moisture/Reflow Sensitivity Classification for Non-hermetic Solid State Surface Mount Devices"). A typical lead-free reflow solder profile is shown in Figure 14. After assembly, an outgassing of the PCB and electronic components must be considered, especially when operating the sensor module at elevated temperatures. This will ultimately influence the sensor module signal and may dominate the air quality reading.

A PCB heat treatment before assembling the ZMOD4410 is recommended. After the gas sensor module assembly, no coating, cleaning, or ultrasonic bath should be applied to the PCB. A cleaning cycle should be executed when the sensor module is the first time on power to remove contaminations from assembly or storage of sensor module parts. This thermal MOx cleaning will remove major contaminations of solder vapor from the MOx surface. In the case where the sensor module does not show full performance after a cleaning cycle, a change to the protection sticker package is recommended (see "Ordering Information"). Store the sensor module in an antistatic metallic bag with a low TVOC background after the sensor module is removed from its original packaging or the assembled PCB is populated. The optimal storage conditions are < 1ppm TVOC, < 10ppb O<sub>3</sub>, < 10ppb NO<sub>2</sub>, 10°C to 50°C, and humidity levels within 20% to 80%RH. If the sensor module is stored outside of these conditions for extended periods of time, the readings can exhibit a temporary offset. The sensor module can be reconditioned and brought back to its calibration state by operating for 24 hours to 48 hours in clean air.

---

<sup>8</sup> The Sulfur Odor mode does not have this feature.

<sup>9</sup> For ULP mode the compensation is activated after 15 minutes.

To receive the *Renesas Gas Sensor Guidelines* with detailed information on assembly, material outgassing, test and validation procedures, contact Renesas via the [Technical Support](#) page.

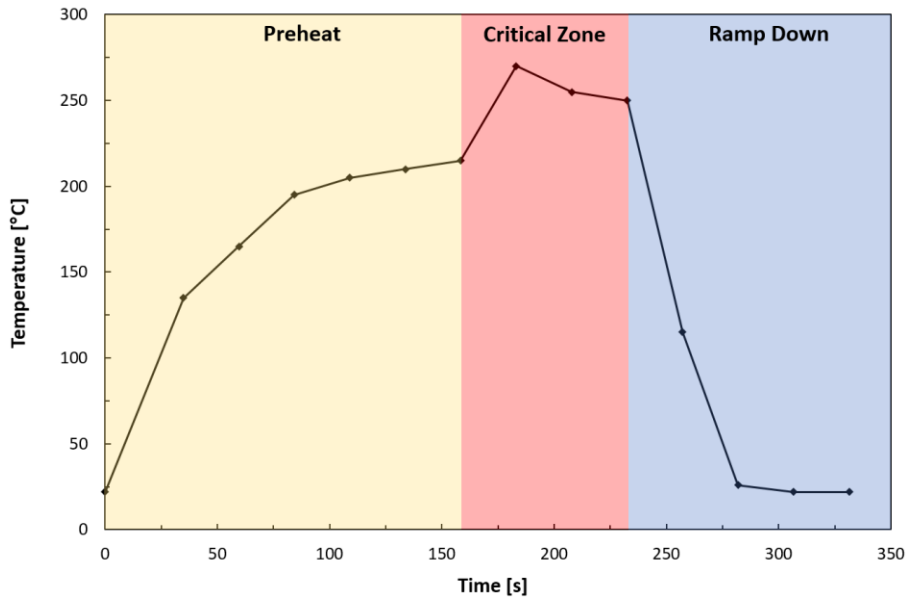


Figure 14. Typical Solder Profile

## 7. Test and Calibration

As a unique feature, all sampled gas sensor modules are fully tested during Renesas’ final test. The final test parameters in Table 10 are applied for each ZMOD4410. All sensor modules are pre-stabilized in the final test although the user may see a small change in the module’s signal during an initial warm-up phase during the first operation. The gas sensor module qualification is based on JEDEC (JESD47) and its subsequent standard (JESD22, JESD78, etc.); it has been qualified for a lifetime of 10 years. Renesas has proven a MOx lifetime of over 20+ years in actual continuous operation in conditions without exposures to stressful environments.

Table 10. Final Test Parameters

Test	Test Object	Parameters	Test Results Saved in NVM?
Electrical	ASIC	Voltages, current consumption, frequencies, scan pattern	No
Electrical	Module	Calibration conditions, tracking ID, resistances	Yes
Gas	Module	Sensitivity parameters (slope and intercept) at stimulation with different gas concentrations	Yes
Gas	Module	Pre-stabilization	No

## 8. I<sup>2</sup>C Interface and Data Transmission Protocol

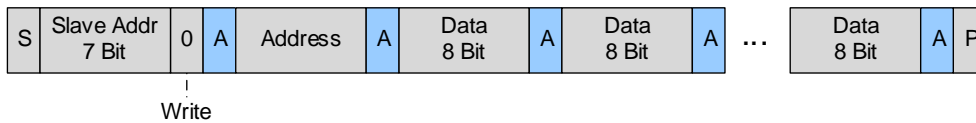
The I<sup>2</sup>C slave device interface supports various bus speeds: Standard Mode ( $\leq 100\text{kHz}$ ) and Fast Mode ( $\leq 400\text{kHz}$ ).

By default, the 7-bit slave address for the serial I<sup>2</sup>C data interface is set to 32<sub>HEX</sub>. The implemented data transmission protocol is similar to the one used for conventional EEPROM devices. The register to read/write is selected by a register address pointer. This address pointer must be set during an I<sup>2</sup>C write operation. For read access, a repeated START condition but no STOP condition should be sent. After transmission of a register, the address pointer is automatically incremented. A STOP condition ends the whole transmission. An increment from the address FF<sub>HEX</sub> rolls over to 00<sub>HEX</sub>. The bus clear procedure (i.e., send nine clock pulses) is not implemented. To use a bus clear, the ZMOD4410s RES\_N pin must be kept low while sending the nine clock pulses. I<sup>2</sup>C bus scans must stay within a valid range below reserved address 0x78.

For an example of the I<sup>2</sup>C data transmission protocol, see Figure 15. For information on I<sup>2</sup>C bus timing, see Figure 16. For I<sup>2</sup>C bus characteristics, see Table 11, which explains how to set up the interface. All other values are according to the I<sup>2</sup>C standard. Although the ZMOD4410 has an I<sup>2</sup>C interface, the user is not intended to modify any registers because a configuration change will affect the sensor module's performance, reliability, and accuracy. The API provided with the downloadable firmware package on the website manages all necessary sensor module communication.

To validate the general MCU-specific I<sup>2</sup>C read/write driver without the use of Renesas libraries, it is possible to write random values to registers 0x88 to 0x8B and read them afterwards. After this register testing, erase the testing code and reset the device by disconnecting the power support; otherwise the device may not operate properly.

### WRITE Access RAM



### READ Access NVM and RAM

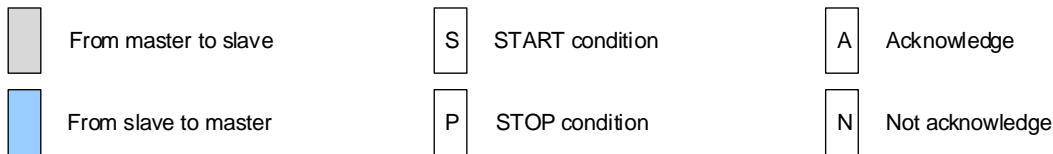
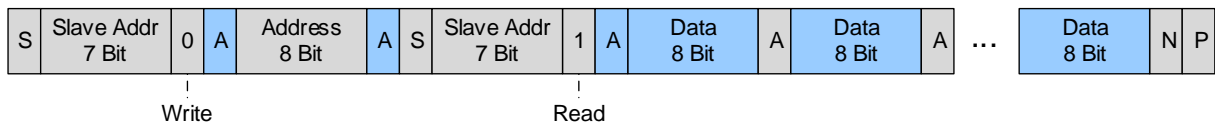


Figure 15. I<sup>2</sup>C Data Transmission Protocol

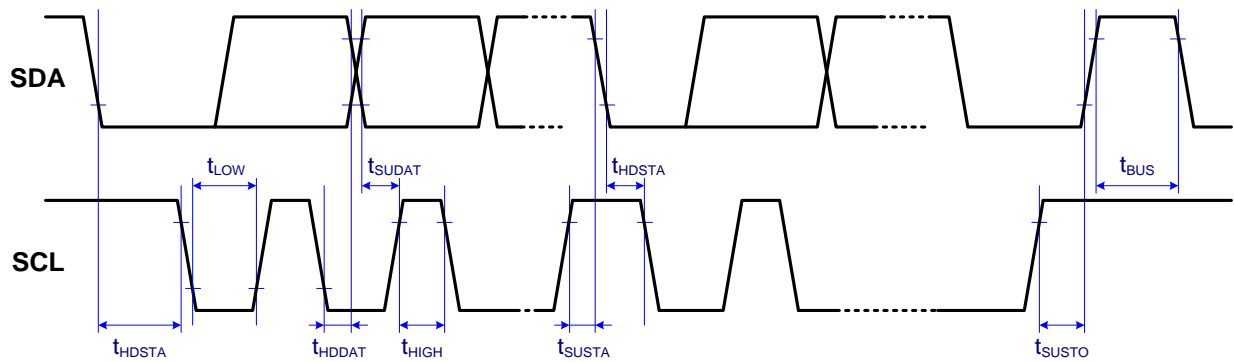


Figure 16. Bus Timing

Table 11. Bus Timing Characteristic

Parameter	Symbol	Standard Mode	Fast Mode	Unit
Maximum SCL clock frequency	$f_{SCL}$	100	400	kHz
Minimum START condition hold time relative to SCL edge	$t_{HDSTA}$	4	-	$\mu s$
Minimum SCL clock low width	$t_{LOW}$	4.7	-	$\mu s$
Minimum SCL clock high width	$t_{HIGH}$	4	-	$\mu s$
Minimum START condition setup time relative to SCL edge	$t_{SUSTA}$	4.7	-	$\mu s$
Minimum data hold time on SDA relative to SCL edge	$t_{HDDAT}$	0	-	$\mu s$
Minimum data setup time on SDA relative to SCL edge	$t_{SUDAT}$	0.1	0.1	$\mu s$
Minimum STOP condition setup time on SCL	$t_{SUSTO}$	4	-	$\mu s$
Minimum bus free time between stop condition and start condition	$t_{BUS}$	4.7	-	$\mu s$

## 9. Related Information

Visit the [ZMOD4410](#) and [ZMOD4410 Evaluation Kit](#) (ZMOD4410-EVK) product pages to download software and the latest version of related documents, such as application notes, white papers, product briefs, and third-party reports.

Note that some documents require logging in with a free customer account, which can be set up under the “LOG IN” button on [www.renesas.com](http://www.renesas.com). Some downloads require an additional step to complete a request form that appears when the link is clicked.

If additional support is needed for downloading, contact Renesas via the [Technical Support](#) page.

## 10. Glossary

Term	Description
ADC	Analog-to-Digital Converter
AI	Artificial Intelligence
CDM	Charged Device Model
CM	Common Mode Generator
HBM	Human Body Model
IAQ 1 <sup>st</sup> Gen	Indoor Air Quality algorithm using traditional computing methods (legacy)
IAQ 2 <sup>nd</sup> Gen	Indoor Air Quality algorithm using machine learning AI
LGA	Land Grid Array
LV	Low Voltage
MOx	Metal Oxide
MSL	Moisture Sensitivity Level
Mux	Multiplexer
n.a.	Not Applicable
NC	Do not connect
NVM	Nonvolatile Memory
PBAQ	Public Building Air Quality
POR	Power-On Reset
SDA	Serial Data
SCL	Serial Clock
SSC	Sensor Signal Conditioner
TST	Test
TVOC	Total Volatile Organic Compounds
UBA	Umweltbundesamt (German Federal Environmental Agency)
ULP	Ultra-Low Power

## 11. Package Outline Drawings

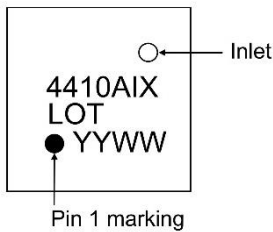
The ZMOD4410's different packages are listed in Table 12.

Table 12. Package Options

Part Number	Version	Comment	Package Link
ZMOD4410AI1	Standard	Standard package	<a href="#">LGG12D1</a> package
ZMOD4410AI2	Sticker	This package shipped with a sticker on top of the lid to protect sensor during assembly. Note, the sticker has to be removed after assembly.	
ZMOD4410AI3	Waterproof	This package uses a membrane to get IP67 rating.	<a href="#">LGG12D2</a> package
ZMOD4410AI4	Waterproof + Sticker	This package uses a membrane to get IP67 rating and is shipped with a sticker on top of the lid to protect sensor during assembly. Note, the sticker has to be removed after assembly.	

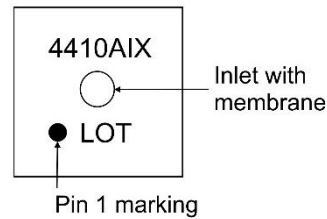
## 12. Marking Diagrams

### Without membrane (ZMOD4410AI1 and -AI2)



- Line 1 is the truncated part number. "X" is the package version.
- Line 2 – "LOT" denotes the assembly lot number.
- Line 2 – "YYWW" are the last two digit of the year and week that the part was assembled.

### With membrane (ZMOD4410AI3 and -AI4)



- Line 1 is the truncated part number. "X" is the package version.
- Line 2 – "LOT" denotes the assembly lot number.



## 13. Ordering Information

Part Number	Description and Package	MSL Rating	Carrier Type	Temp. Range
ZMOD4410AI1V	ZMOD4410 Sensor Module, 3.0 × 3.0 × 0.7 mm 12-LGA	3	Tray	-40°C to +65°C
ZMOD4410AI1R	ZMOD4410 Sensor Module, 3.0 × 3.0 × 0.7 mm 12-LGA	3	Reel	-40°C to +65°C
ZMOD4410AI2V	ZMOD4410 Sensor Module, 3.0 × 3.0 × 0.7 mm 12-LGA, shipped with <i>removable protection sticker</i>	3	Tray	-40°C to +65°C
ZMOD4410AI2R	ZMOD4410 Sensor Module, 3.0 × 3.0 × 0.7 mm 12-LGA, shipped with <i>removable protection sticker</i>	3	Reel	-40°C to +65°C
ZMOD4410AI3V	ZMOD4410 Sensor Module, 3.0 × 3.0 × 0.9 mm 12-LGA, <i>IP67 rating</i>	3	Tray	-40°C to +65°C
ZMOD4410AI3R	ZMOD4410 Sensor Module, 3.0 × 3.0 × 0.9 mm 12-LGA <i>IP67 rating</i>	3	Reel	-40°C to +65°C
ZMOD4410AI4V	ZMOD4410 Sensor Module, 3.0 × 3.0 × 0.9 mm 12-LGA, shipped with removable protection sticker and IP67 rating	3	Tray	-40°C to +65°C
ZMOD4410AI4R	ZMOD4410 Sensor Module, 3.0 × 3.0 × 0.9 mm 12-LGA, shipped with removable protection sticker and IP67 rating	3	Reel	-40°C to +65°C
ZMOD4410-EVK-HC	ZMOD4410 Evaluation Kit including the ZMOD4410 Sensor Board, ZMOD4410 ESCom Communication Board (USB Interface), and Micro-USB Cable. (The Environmental Sensors Evaluation Software is available for download free of charge on the <a href="#">ZMOD4410-EVK</a> product page.)			
ZMOD4410-EVK-DB	ZMOD4410 Sensor Board as spare part for ZMOD4410 Evaluation Kit.			

## 14. Revision History

Revision	Date	Description
1.16	Sep 26, 2024	<ul style="list-style-type: none"> <li>▪ Added “Compensation for oxidizing gases” to ULP operation mode</li> <li>▪ Updated Warm-Up Samples</li> <li>▪ Added EVK hardware spare parts</li> <li>▪ Updated Marking Diagrams</li> <li>▪ Added product picture</li> <li>▪ Completed other minor changes</li> </ul>
1.15	Mar 13, 2024	<ul style="list-style-type: none"> <li>▪ Merged Relative IAQ output with IAQ 2nd Gen, PBAQ and ULP operation mode</li> <li>▪ Added “Compensation for oxidizing gases” to IAQ 2nd Gen and PBAQ operation mode</li> <li>▪ Completed various changes due to updated EVK hardware</li> <li>▪ Completed other minor changes</li> </ul>
1.14	Mar 10, 2023	<ul style="list-style-type: none"> <li>▪ Updated to include a broader definition of Public Building Air Quality</li> </ul>
1.13	Jan 31, 2023	<ul style="list-style-type: none"> <li>▪ Added information about PBAQ operation.</li> </ul>

## ZMOD4410 Datasheet

Revision	Date	Description
1.12	Aug 26, 2022	<ul style="list-style-type: none"> <li>▪ Updated with Relative IAQ operation mode (Odor operation mode Legacy)</li> <li>▪ Information on Hydrogen (H2) and sensor status</li> <li>▪ Migrated the document to the latest template</li> </ul>
-	Dec 17, 2021	<ul style="list-style-type: none"> <li>▪ Updated with Ultra-Low Power Operation Mode for IAQ 2nd Gen</li> <li>▪ Added data for accuracy and consistency</li> <li>▪ Completed other minor changes</li> </ul>
-	Jun 30, 2021	<ul style="list-style-type: none"> <li>▪ Updated improved lifetime</li> <li>▪ Added a description of firmware and algorithms</li> <li>▪ Add a marking diagram</li> <li>▪ Updated URL</li> </ul>
-	Nov 30, 2020	<ul style="list-style-type: none"> <li>▪ Updated "Conditioning, Sensor Self-Check Status, and Stability"</li> <li>▪ Completed other minor changes</li> </ul>
-	Nov 2, 2020	<ul style="list-style-type: none"> <li>▪ Added ZMOD4410 sensor module packages for Assembly Protection and IP67 Rating</li> <li>▪ Minor updates in language</li> </ul>
-	Jun 3, 2020	<ul style="list-style-type: none"> <li>▪ Completed minor edits.</li> </ul>
-	Jun 1, 2020	<ul style="list-style-type: none"> <li>▪ Changed to Renesas layout</li> <li>▪ Added RoHS compliance</li> <li>▪ Updated NVM data space</li> <li>▪ Updated with Operation Mode for IAQ 2nd Gen</li> <li>▪ Updated with Operation Mode for Sulfur based odor discrimination</li> </ul>
-	Jul 30, 2019	<ul style="list-style-type: none"> <li>▪ MSL rating corrected in the Ordering table.</li> </ul>
-	May 9, 2019	<ul style="list-style-type: none"> <li>▪ Addition of storage conditions.</li> <li>▪ Improved programming description for customer-specific applications.</li> <li>▪ Improved pin description for INT.</li> <li>▪ Addition of lifetime for qualification.</li> <li>▪ Addition of the "Related Website and Software" section.</li> </ul>
-	Mar 12, 2019	<ul style="list-style-type: none"> <li>▪ Update to add I2C specification.</li> <li>▪ Update figure for humidity influence.</li> <li>▪ Update to add disclaimer for safety-related applications in section 1.</li> <li>▪ Minor edits.</li> </ul>
-	Nov 2, 2018	<ul style="list-style-type: none"> <li>▪ Update with Low Power Operation Method.</li> </ul>
-	Sep 24, 2018	<ul style="list-style-type: none"> <li>▪ Update for operation methods for trigger/control signal option.</li> <li>▪ Update for power consumption and minor update in electrical characteristics.</li> <li>▪ Update references.</li> </ul>
-	Sep 1, 2018	Initial release.









