

To our customers,

Old Company Name in Catalogs and Other Documents

On April 1st, 2010, NEC Electronics Corporation merged with Renesas Technology Corporation, and Renesas Electronics Corporation took over all the business of both companies. Therefore, although the old company name remains in this document, it is a valid Renesas Electronics document. We appreciate your understanding.

Renesas Electronics website: <http://www.renesas.com>

April 1st, 2010
Renesas Electronics Corporation

Issued by: Renesas Electronics Corporation (<http://www.renesas.com>)

Send any inquiries to <http://www.renesas.com/inquiry>.

Notice

1. All information included in this document is current as of the date this document is issued. Such information, however, is subject to change without any prior notice. Before purchasing or using any Renesas Electronics products listed herein, please confirm the latest product information with a Renesas Electronics sales office. Also, please pay regular and careful attention to additional and different information to be disclosed by Renesas Electronics such as that disclosed through our website.
2. Renesas Electronics does not assume any liability for infringement of patents, copyrights, or other intellectual property rights of third parties by or arising from the use of Renesas Electronics products or technical information described in this document. No license, express, implied or otherwise, is granted hereby under any patents, copyrights or other intellectual property rights of Renesas Electronics or others.
3. You should not alter, modify, copy, or otherwise misappropriate any Renesas Electronics product, whether in whole or in part.
4. Descriptions of circuits, software and other related information in this document are provided only to illustrate the operation of semiconductor products and application examples. You are fully responsible for the incorporation of these circuits, software, and information in the design of your equipment. Renesas Electronics assumes no responsibility for any losses incurred by you or third parties arising from the use of these circuits, software, or information.
5. When exporting the products or technology described in this document, you should comply with the applicable export control laws and regulations and follow the procedures required by such laws and regulations. You should not use Renesas Electronics products or the technology described in this document for any purpose relating to military applications or use by the military, including but not limited to the development of weapons of mass destruction. Renesas Electronics products and technology may not be used for or incorporated into any products or systems whose manufacture, use, or sale is prohibited under any applicable domestic or foreign laws or regulations.
6. Renesas Electronics has used reasonable care in preparing the information included in this document, but Renesas Electronics does not warrant that such information is error free. Renesas Electronics assumes no liability whatsoever for any damages incurred by you resulting from errors in or omissions from the information included herein.
7. Renesas Electronics products are classified according to the following three quality grades: “Standard”, “High Quality”, and “Specific”. The recommended applications for each Renesas Electronics product depends on the product’s quality grade, as indicated below. You must check the quality grade of each Renesas Electronics product before using it in a particular application. You may not use any Renesas Electronics product for any application categorized as “Specific” without the prior written consent of Renesas Electronics. Further, you may not use any Renesas Electronics product for any application for which it is not intended without the prior written consent of Renesas Electronics. Renesas Electronics shall not be in any way liable for any damages or losses incurred by you or third parties arising from the use of any Renesas Electronics product for an application categorized as “Specific” or for which the product is not intended where you have failed to obtain the prior written consent of Renesas Electronics. The quality grade of each Renesas Electronics product is “Standard” unless otherwise expressly specified in a Renesas Electronics data sheets or data books, etc.
 - “Standard”: Computers; office equipment; communications equipment; test and measurement equipment; audio and visual equipment; home electronic appliances; machine tools; personal electronic equipment; and industrial robots.
 - “High Quality”: Transportation equipment (automobiles, trains, ships, etc.); traffic control systems; anti-disaster systems; anti-crime systems; safety equipment; and medical equipment not specifically designed for life support.
 - “Specific”: Aircraft; aerospace equipment; submersible repeaters; nuclear reactor control systems; medical equipment or systems for life support (e.g. artificial life support devices or systems), surgical implantations, or healthcare intervention (e.g. excision, etc.), and any other applications or purposes that pose a direct threat to human life.
8. You should use the Renesas Electronics products described in this document within the range specified by Renesas Electronics, especially with respect to the maximum rating, operating supply voltage range, movement power voltage range, heat radiation characteristics, installation and other product characteristics. Renesas Electronics shall have no liability for malfunctions or damages arising out of the use of Renesas Electronics products beyond such specified ranges.
9. Although Renesas Electronics endeavors to improve the quality and reliability of its products, semiconductor products have specific characteristics such as the occurrence of failure at a certain rate and malfunctions under certain use conditions. Further, Renesas Electronics products are not subject to radiation resistance design. Please be sure to implement safety measures to guard them against the possibility of physical injury, and injury or damage caused by fire in the event of the failure of a Renesas Electronics product, such as safety design for hardware and software including but not limited to redundancy, fire control and malfunction prevention, appropriate treatment for aging degradation or any other appropriate measures. Because the evaluation of microcomputer software alone is very difficult, please evaluate the safety of the final products or system manufactured by you.
10. Please contact a Renesas Electronics sales office for details as to environmental matters such as the environmental compatibility of each Renesas Electronics product. Please use Renesas Electronics products in compliance with all applicable laws and regulations that regulate the inclusion or use of controlled substances, including without limitation, the EU RoHS Directive. Renesas Electronics assumes no liability for damages or losses occurring as a result of your noncompliance with applicable laws and regulations.
11. This document may not be reproduced or duplicated, in any form, in whole or in part, without prior written consent of Renesas Electronics.
12. Please contact a Renesas Electronics sales office if you have any questions regarding the information contained in this document or Renesas Electronics products, or if you have any other inquiries.

(Note 1) “Renesas Electronics” as used in this document means Renesas Electronics Corporation and also includes its majority-owned subsidiaries.

(Note 2) “Renesas Electronics product(s)” means any product developed or manufactured by or for Renesas Electronics.

MOS INTEGRATED CIRCUIT
μPD78P098B

8-BIT SINGLE-CHIP MICROCONTROLLER

The μPD78P098B is a member of the μPD78098B Subseries of the 78K/0 Series and is provided with an internal one-time PROM.

Because this device can be programmed by users, it is ideally suited for applications involving the evaluation of systems in development stages, small-scale production of many different products, and rapid development and time-to-market of a new product.

The functions are explained in detail in the following manuals. Be sure to read these manuals when designing your system.

μPD78098B Subseries User's Manual : U12761E
 78K/0 Series User's Manual - Instructions : U12326E

FEATURES

- EMI noise reduced product
- Pin-compatible with mask ROM version (except V_{PP} pin)
- Internal PROM: 60 Kbytes ^{Note 1}
 Programmable only once (ideal for small-scale production)
- Internal high-speed RAM : 1024 bytes
- Buffer RAM : 32 bytes
- Internal expansion RAM : 2048 bytes ^{Note 2}
- Operating voltage same as mask ROM version (V_{DD} = 2.7 to 5.5 V)
- Supports QTOP™ microcontroller

Notes 1. The internal PROM capacity can be changed by using the internal memory size switching register (IMS).

2. Internal expansion RAM capacity can be changed by using the internal expansion RAM size switching register (IXS).

Remark 1. "QTOP microcontroller" is a generic name for one-time PROM-containing microcontrollers totally supported by NEC's writing service (writing, marking, screening, and verification).

2. To find how the PROM version differs from the mask ROM version, refer to "1. DIFFERENCES BETWEEN μPD78P098B AND MASK ROM VERSIONS."

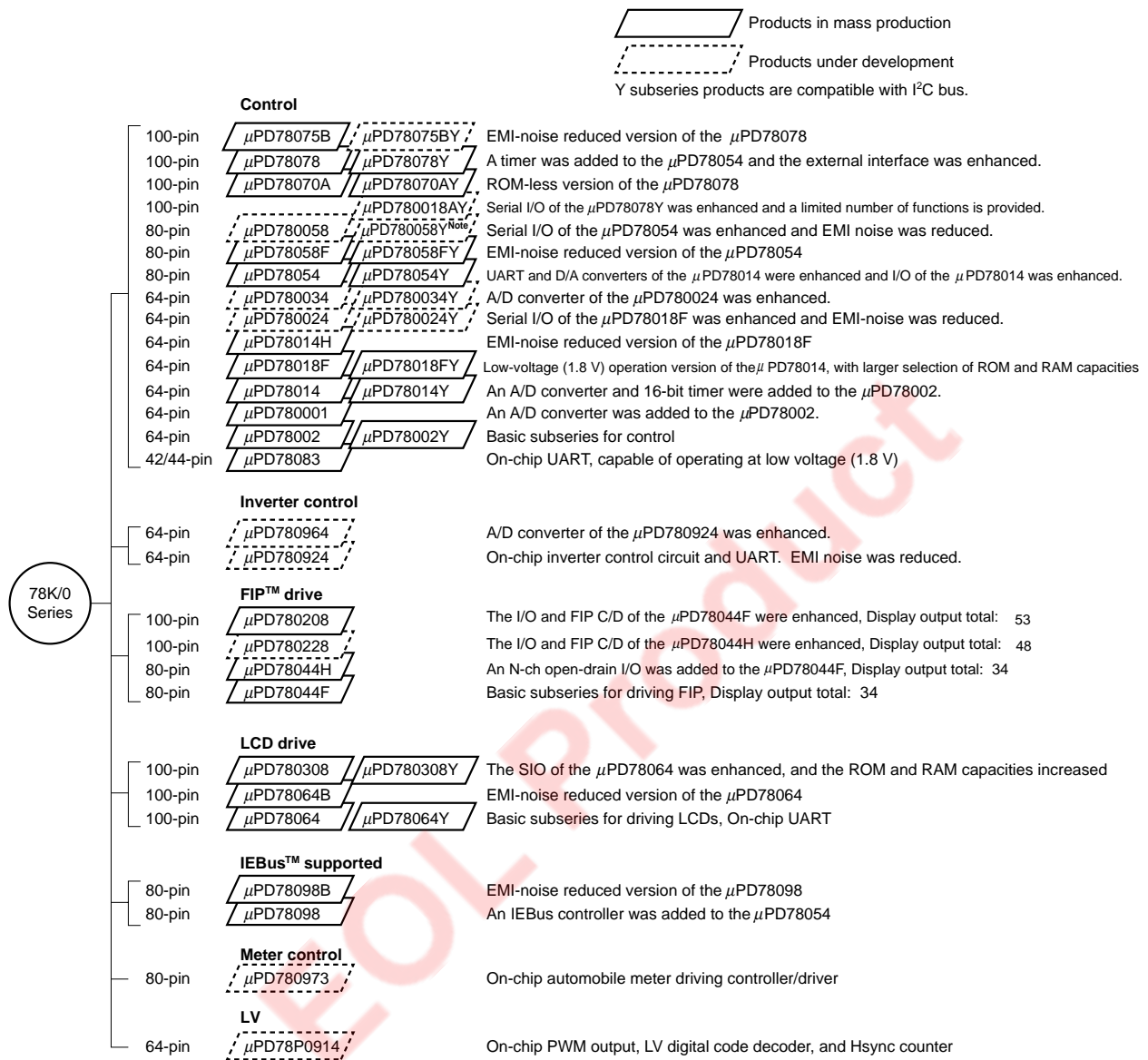
ORDERING INFORMATION

Part Number	Package
μPD78P098BGC-3B9	80-pin plastic QFP (14 × 14 mm)

The information in this document is subject to change without notice.

78K/0 Series Development

The following shows the 78K/0 Series products development. Subseries name are shown inside frames.



Note Under development

The following lists the main functional differences between subseries products.

Subseries Name	Function	ROM Capacity	Timer				8-bit A/D	10-bit A/D	8-bit D/A	Serial Interface	I/O	V _{DD} MIN. Value	External Expansion							
			8-bit	16-bit	Watch	WDT														
Control	μPD78075B	32K-40K	4 ch	1 ch	1 ch	1 ch	8 ch	-	2 ch	3 ch (UART: 1 ch)	88	1.8 V	A							
	μPD78078	48K-60K									61	2.7 V								
	μPD78070A	-																		
	μPD780058	24K-60K	2 ch							3 ch (time division UART: 1 ch)	68	1.8 V								
	μPD78058F	48K-60K									69	2.7 V								
	μPD78054	16K-60K												2.0 V						
	μPD780034	8K-32K													-	8 ch	-	3 ch (UART: 1 ch, time division 3-wire: 1 ch)	51	1.8 V
	μPD780024														8 ch	-				
	μPD78014H														2 ch	53	1.8 V			
	μPD78018F	8K-60K										2.7 V								
	μPD78014	8K-32K																		
	μPD780001	8K												-	-	1 ch	39	N/A		
μPD78002	8K-16K			1 ch	-	53	A													
μPD78083				-	8 ch	1 ch (UART: 1 ch)	33	1.8 V	N/A											
Inverter control	μPD780964	8K-32K	3 ch	Note	-	1 ch	-	8 ch	-	2 ch (UART: 2 ch)	47	2.7 V	A							
	μPD780924						8 ch	-												
FIP drive	μPD780208	32K-60K	2 ch	1 ch	1 ch	1 ch	8 ch	-	-	2 ch	74	2.7 V	N/A							
	μPD780228	48K-60K	3 ch	-	-					1 ch	72	4.5 V								
	μPD78044H	32K-48K	2 ch	1 ch	1 ch						68	2.7 V								
	μPD78044F	16K-40K				2 ch														
LCD drive	μPD780308	48K-60K	2 ch	1 ch	1 ch	1 ch	8 ch	-	-	3 ch (time division UART: 1 ch)	57	2.0 V	N/A							
	μPD78064B	32K								2 ch (UART: 1 ch)										
	μPD78064	16K-32K																		
IEBus supported	μPD78098B	40K-60K	2 ch	1 ch	1 ch	1 ch	8 ch	-	2 ch	3 ch (UART: 1 ch)	69	2.7 V	A							
	μPD78098	32K-60K																		
Meter	μPD780973	24K-32K	3 ch	1 ch	1 ch	1 ch	5 ch	-	-	2 ch (UART: 1 ch)	56	4.5 V	N/A							
LV	μPD78P0914	32K	6 ch	-	-	1 ch	8 ch	-	-	2 ch	54	4.5 V	A							

Note 10-bit timer: 1 channel

Remark A : Available
N/A : Not available

Function Outline

Item	Function								
Internal memory	<ul style="list-style-type: none"> • PROM : 60 Kbytes ^{Note 1} • RAM <ul style="list-style-type: none"> High-speed RAM : 1024 bytes Buffer RAM : 32 bytes Expansion RAM : 2048 bytes ^{Note 2} 								
Memory space	64 Kbytes								
General-purpose register	8 bits × 32 registers (8 bits × 8 registers × 4 banks)								
Minimum instruction execution time	Minimum instruction execution time variable function								
	<table border="0" style="width: 100%;"> <tr> <td style="padding-right: 10px;">With main system clock</td> <td>0.5 μs/1.0 μs/2.0 μs/4.0 μs/8.0 μs/16.0 μs (@ 6.0-MHz operation)</td> </tr> <tr> <td>With subsystem clock</td> <td>122 μs (@ 32.768-kHz operation)</td> </tr> </table>	With main system clock	0.5 μs/1.0 μs/2.0 μs/4.0 μs/8.0 μs/16.0 μs (@ 6.0-MHz operation)	With subsystem clock	122 μs (@ 32.768-kHz operation)				
With main system clock	0.5 μs/1.0 μs/2.0 μs/4.0 μs/8.0 μs/16.0 μs (@ 6.0-MHz operation)								
With subsystem clock	122 μs (@ 32.768-kHz operation)								
Instruction set	<ul style="list-style-type: none"> • 16-bit operation • Multiply/divide (8 bits × 8 bits, 16 bits ÷ 8 bits) • Bit manipulate (set, reset, test, Boolean operation) • BCD adjust, etc. 								
I/O ports	<table border="0" style="width: 100%;"> <tr> <td style="padding-right: 20px;">Total</td> <td style="text-align: right;">: 69</td> </tr> <tr> <td>• CMOS input</td> <td style="text-align: right;">: 2</td> </tr> <tr> <td>• CMOS I/O</td> <td style="text-align: right;">: 63</td> </tr> <tr> <td>• N-ch open-drain I/O</td> <td style="text-align: right;">: 4</td> </tr> </table>	Total	: 69	• CMOS input	: 2	• CMOS I/O	: 63	• N-ch open-drain I/O	: 4
Total	: 69								
• CMOS input	: 2								
• CMOS I/O	: 63								
• N-ch open-drain I/O	: 4								
IEBus controller	Effective transmission rate: 3.9 kbps/17 kbps/26 kbps								
A/D converter	8-bit resolution × 8 channels								
D/A converter	8-bit resolution × 2 channels								
Serial interface	<ul style="list-style-type: none"> • 3-wire serial I/O/SBI/2-wire serial I/O mode selectable : 1 channel • 3-wire serial I/O mode (with up to 32-byte auto send/receive function) : 1 channel • 3-wire serial I/O/UART mode selectable : 1 channel 								
Timer	<ul style="list-style-type: none"> • 16-bit timer/event counter : 1 channel • 8-bit timer/event counter : 2 channels • Watch timer : 1 channel • Watchdog timer : 1 channel 								
Timer output	3 (14-bit PWM output: 1)								
Clock output	15.6 kHz, 31.3 kHz, 62.5 kHz, 125 kHz, 250 kHz, 500 kHz, 1.0 MHz, 2.0 MHz, 4.0 MHz (@ 6.0-MHz operation with main system clock) 32.768 kHz (@ 32.768-kHz operation with subsystem clock)								
Buzzer output	977 Hz, 1.95 kHz, 3.9 kHz, 7.8 kHz (@ 6.0-MHz operation with main system clock)								

- Notes**
1. The internal PROM capacity can be changed by using the internal memory size switching register (IMS).
 2. 0 or 2048 bytes can be selected by using the internal expansion RAM size switching register (IMS).

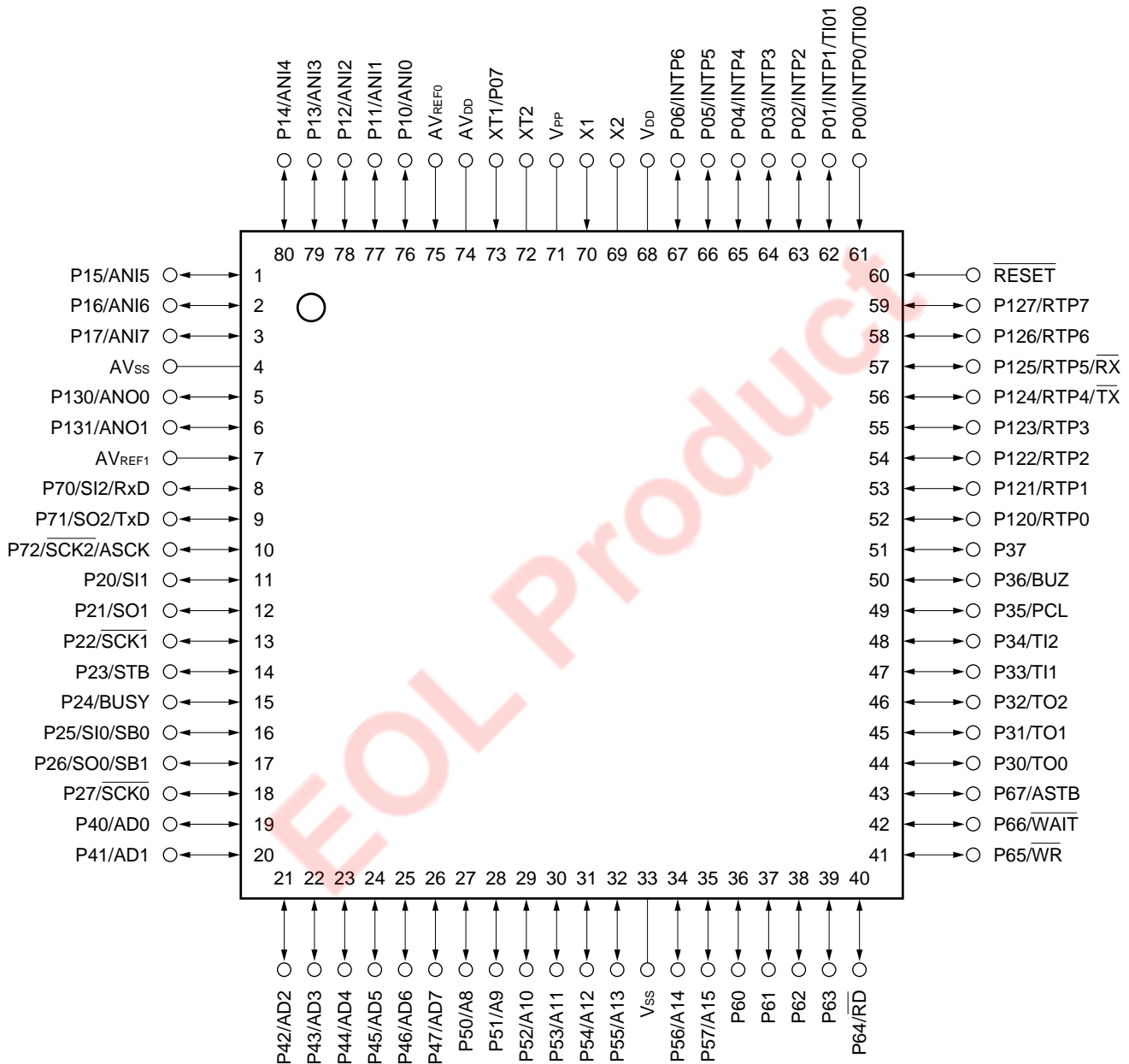
Item		Function
Vectored interrupt source	Maskable	Internal: 14, external: 7
	Non-maskable	Internal: 1
	Software	1
Test input		Internal: 1, external: 1
Operating power supply voltage		V _{DD} = 2.7 to 5.5 V
Package		80-pin plastic QFP (14 × 14 mm)

EOL Product

PIN CONFIGURATION (Top View)

(1) Normal operation mode

- 80-pin plastic QFP (14 X 14 mm)
μPD78P098BGC-3B9



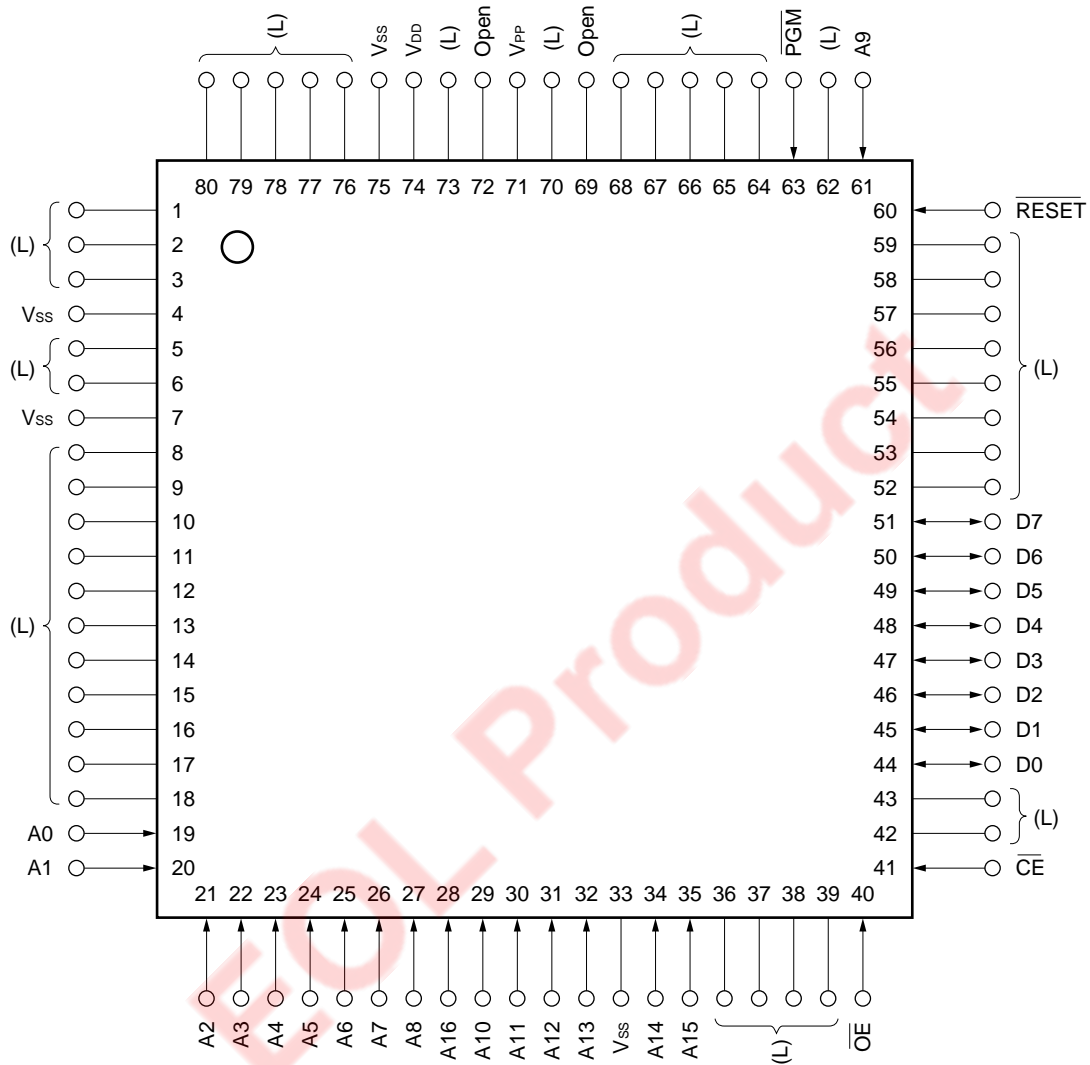
- Cautions**
1. Connect V_{PP} pin directly to V_{SS}.
 2. The AV_{DD} pin functions as both an A/D converter power supply and a port power supply. When the μPD78P098B is used in applications where the noise generated inside the microcontroller needs to be reduced, connect the AV_{DD} pin to another power supply that has the same potential as V_{DD}.
 3. The AV_{SS} pin functions both as a ground of the A/D and D/A converters and as a ground of a port. When the μPD78P098B is used in applications where the noise generated inside the microcontroller needs to be reduced, connect the AV_{SS} pin to a ground line other than V_{SS}.

A8 to A15	: Address Bus	\overline{RD}	: Read Strobe
AD0 to AD7	: Address/Data Bus	RESET	: Reset
ANI0 to ANI7	: Analog Input	RTP0 to RTP7	: Real-Time Output Port
ANO0, ANO1	: Analog Output	\overline{RX}	: Receive Data (IEBus Controller)
ASCK	: Asynchronous Serial Clock	RxD	: Receive Data (UART)
ASTB	: Address Strobe	SB0, SB1	: Serial Bus
AV _{DD}	: Analog Power Supply	$\overline{SCK0}$ to $\overline{SCK2}$: Serial Clock
AV _{REF0} , AV _{REF1}	: Analog Reference Voltage	SI0 to SI2	: Serial Input
AV _{SS}	: Analog Ground	SO0 to SO2	: Serial Output
BUSY	: Busy	STB	: Strobe
BUZ	: Buzzer Clock	TI00, TI01	: Timer Input
INTP0 to INTP6	: Interrupt from Peripherals	TI1, TI2	: Timer Input
P00 to P07	: Port0	TO0 to TO2	: Timer Output
P10 to P17	: Port1	\overline{TX}	: Transmit Data (IEBus Controller)
P20 to P27	: Port2	TxD	: Transmit Data (UART)
P30 to P37	: Port3	V _{DD}	: Power Supply
P40 to P47	: Port4	V _{PP}	: Programming Power Supply
P50 to P57	: Port5	V _{SS}	: Ground
P60 to P67	: Port6	\overline{WAIT}	: Wait
P70 to P72	: Port7	\overline{WR}	: Write Strobe
P120 to P127	: Port12	X1, X2	: Crystal (Main System Clock)
P130, P131	: Port13	XT1, XT2	: Crystal (Subsystem Clock)
PCL	: Programmable Clock		

EOL Product

(2) PROM programming mode

- 80-pin plastic QFP (14 × 14 mm)
μPD78P098BGC-3B9



- Cautions**
1. (L) : Individually connect to V_{ss} via a pull-down resistor.
 2. V_{ss} : Connect to ground.
 3. RESET : Keep at low level.
 4. Open : Leave open.

A0 to A16	: Address Bus	RESET	: Reset
CE	: Chip Enable	V _{DD}	: Power Supply
D0 to D7	: Data Bus	V _{PP}	: Programming Power Supply
OE	: Output Enable	V _{ss}	: Ground
PGM	: Program		

BLOCK DIAGRAM

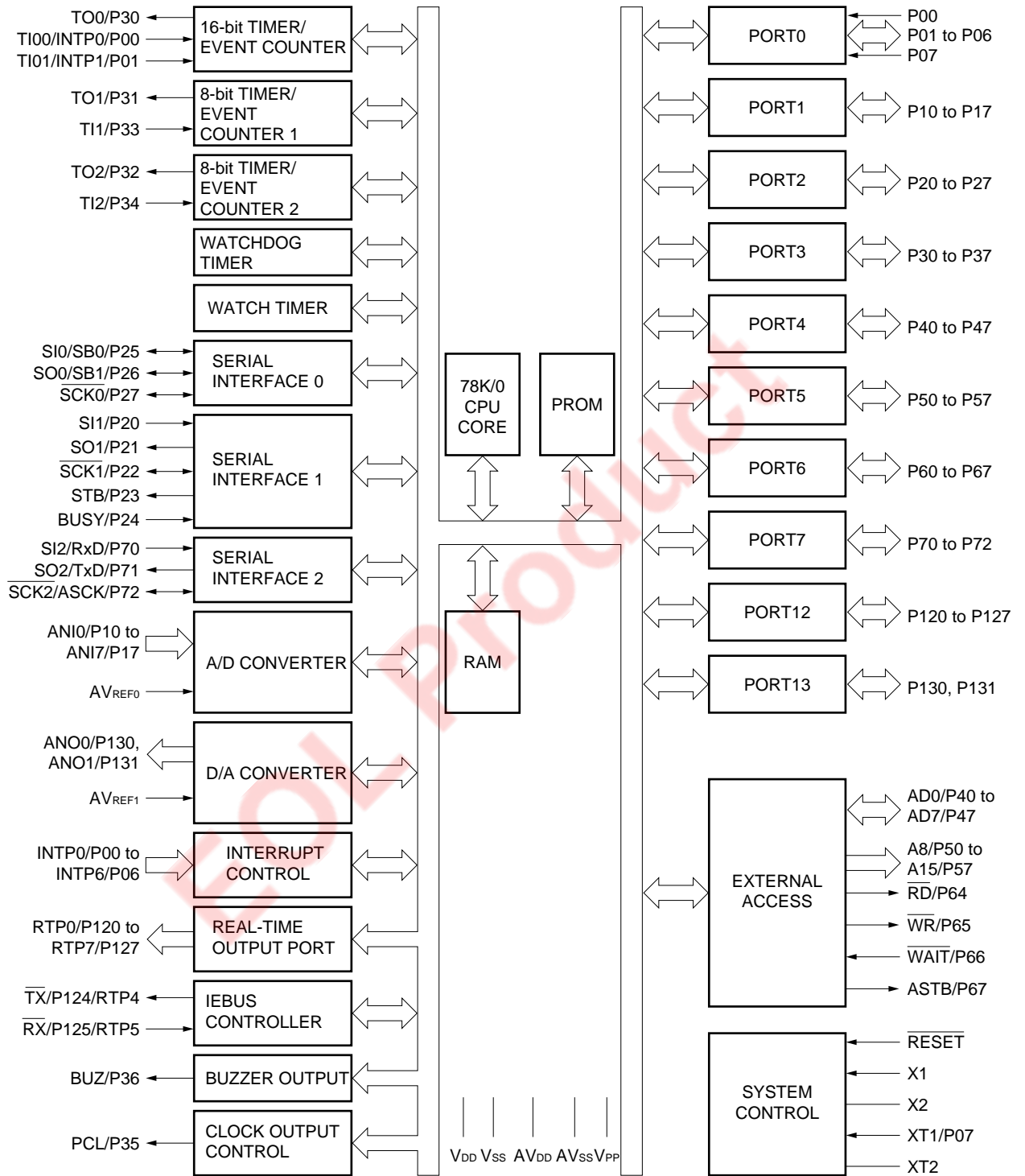


TABLE OF CONTENTS

1. DIFFERENCES BETWEEN μPD78P098B AND MASK ROM VERSIONS 11

2. PIN FUNCTIONS 12

 2.1 Pins in Normal Operation Mode 12

 2.2 Pins in PROM Programming Mode 16

 2.3 Pin I/O Circuits and Connection of Unused Pins 16

3. INTERNAL MEMORY SIZE SWITCHING REGISTER (IMS) 20

4. INTERNAL EXPANSION RAM SIZE SWITCHING REGISTER (IXS) 21

5. PROM PROGRAMMING 22

 5.1 Operation Modes 22

 5.2 PROM Write Procedure 24

 5.3 PROM Read Procedure 28

6. SCREENING OF ONE-TIME PROM VERSION 29

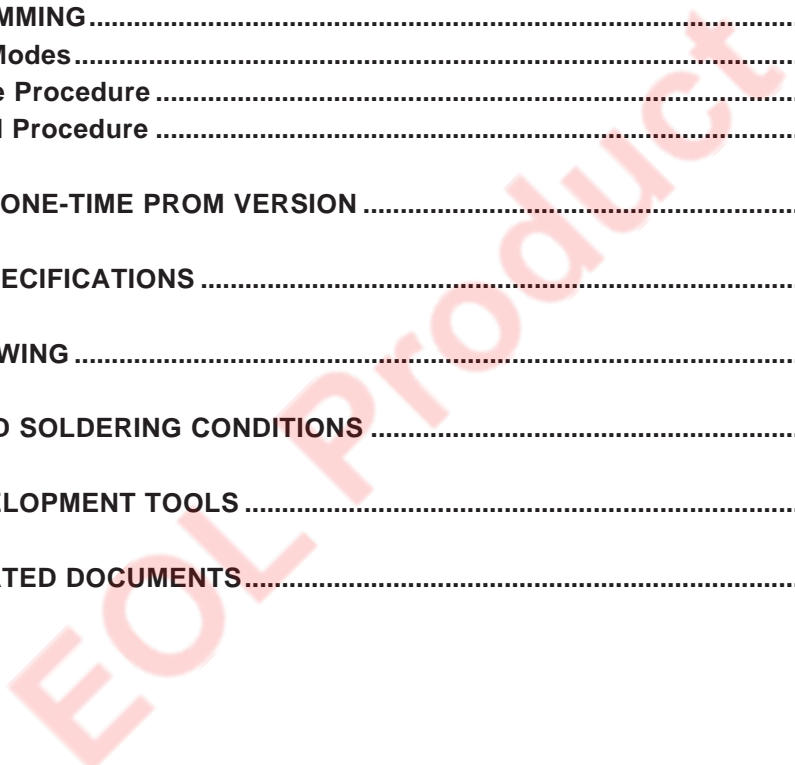
7. ELECTRICAL SPECIFICATIONS 30

8. PACKAGE DRAWING 64

9. RECOMMENDED SOLDERING CONDITIONS 65

APPENDIX A. DEVELOPMENT TOOLS 66

APPENDIX B. RELATED DOCUMENTS 70



1. DIFFERENCES BETWEEN μPD78P098B AND MASK ROM VERSIONS

The μPD78P098B is provided with a one-time PROM to which a program can be written only once.

The functions of the μPD78P098B, except the PROM specification and the mask option of pins P60 through P63, can be set to be the same as those of the mask ROM version by using the internal memory size switching register and internal expansion RAM size switching register.

Table 1-1 shows the differences between the μPD78P098B and mask ROM versions.

Table 1-1. Differences between μPD78P098B and Mask ROM Versions

Item	μPD78P098B	Mask ROM Versions
Internal ROM structure	One-time PROM	Mask ROM
Internal ROM capacity	60 Kbytes	μPD78095B : 40 Kbytes μPD78096B : 48 Kbytes μPD78098B : 60 Kbytes
Internal expansion RAM capacity	2048 bytes	μPD78095B, 78096B : none μPD78098B : 2048 bytes
Change internal ROM capacity by internal memory size switching register (IMS)	Available ^{Note 1}	Not available ^{Note 2}
Change internal expansion RAM capacity with the internal expansion RAM size switching register (IXS)	Available ^{Note 3}	Not available
IC pin	Not provided	Provided
V _{PP} pin	Provided	Not provided
On-chip pull-up resistor mask option for P60 to P63	Not provided	Provided
Electrical specifications, recommended soldering conditions	Refer to the data sheet for each product	

- Notes**
1. Internal PROM capacity is 60 Kbytes after $\overline{\text{RESET}}$ input.
 2. Except when using external device expansion function with the μPD78098B.
 3. Internal expansion RAM capacity is 2048 bytes after $\overline{\text{RESET}}$ input.

Caution There are differences in noise immunity and noise radiation between the PROM versions and mask ROM versions. When pre-producing an application set with the PROM version and then mass-producing it with the mask ROM version, be sure to conduct sufficient evaluations for the set using consumer samples (not engineering samples) of the mask ROM versions.

Remark The internal expansion RAM size switching register (IXS) is only incorporated in the μPD78098B and 78P098B.

2. PIN FUNCTIONS

2.1 Pins in Normal Operation Mode

(1) Port pins (1/2)

Pin Name	I/O	Function		After Reset	Alternate Function
P00	Input	Port 0.	Input only	Input	INTP0/TI00
P01	I/O	8-bit I/O port.	Input/output can be specified in 1-bit units. When using as an input port, an on-chip pull-up resistor can be connected by means of software.	Input	INTP0/TI00
P02					INTP2
P03					INTP3
P04					INTP4
P05					INTP5
P06					INTP6
P07 ^{Note 1}	Input		Input only	Input	XT1
P10 to P17	I/O	Port 1. 8-bit I/O port. Input/output can be specified in 1-bit units. When using as an input port, an on-chip pull-up resistor can be connected by means of software. ^{Note 2}		Input	ANI0 to ANI7
P20	I/O	Port 2. 8-bit I/O port. Input/output can be specified in 1-bit units. When using as an input port, an on-chip pull-up resistor can be connected by means of software. ^{Note 2}		Input	SI1
P21					SO1
P22					SCK1
P23					STB
P24					BUSY
P25					SI0/SB0
P26					SO0/SB1
P27					SCK0
P30	I/O	Port 3. 8-bit I/O port. Input/output can be specified in 1-bit units. When using as an input port, an on-chip pull-up resistor can be connected by means of software. ^{Note 2}		Input	TO0
P31					TO1
P32					TO2
P33					TI1
P34					TI2
P35					PCL
P36					BUZ
P37					-

- Notes**
1. When using the P07/XT1 pin as an input port, set bit 6 (FRC) of the processor clock control register (PCC) to 1. Do not use the feedback resistor of the subsystem clock oscillator.
 2. When using the P10/ANI0 to P17/ANI7 pins as the analog inputs of the A/D converter, on-chip pull-up resistors are automatically unconnected.

(1) Port pins (2/2)

Pin Name	I/O	Function		After Reset	Alternate Function
P40 to P47	I/O	Port 4. 8-bit I/O port. Input/output can be specified in 8-bit units. When using as an input port, an on-chip pull-up resistor can be connected by means of software. Test input flag (KRIF) is set to 1 when detecting the falling edge.		Input	AD0 to AD7
P50 to P57	I/O	Port 5. 8-bit I/O port. Can directly drive LEDs. Input/output can be specified in 1-bit units. When using as an input port, an on-chip pull-up resistor can be connected by means of software.		Input	A8 to A15
P60	I/O	Port 6.	N-ch open-drain I/O port. Can directly drive LEDs.	Input	-
P61		8-bit I/O port.			
P62		Input/output can be specified in 1-bit units. When using as an input port, an on-chip pull-up resistor can be connected by means of software.	When using as an input port, an on-chip pull-up resistor can be connected by means of software.	Input	\overline{RD}
P63					\overline{WR}
P64					\overline{WAIT}
P65					ASTB
P66					
P67					
P70	I/O	Port 7.	3-bit I/O port. Input/output can be specified in 1-bit units. When using as an input port, an on-chip pull-up resistor can be connected by means of software.	Input	S12/RxD
P71					SO2/TxD
P72					$\overline{SCK2/ASCK}$
P120 to P123	I/O	Port 12.	8-bit I/O port. Input/output can be specified in 1-bit units. When using as an input port, an on-chip pull-up resistor can be connected by means of software.	Input	RTP0 to RTP3
P124					$\overline{RTP4/TX}$
P125					$\overline{RTP5/RX}$
P126, P127					RTP6, RTP7
P130, P131	I/O	Port 13. 2-bit I/O port. Input/output can be specified in 1-bit units. When using as an input port, an on-chip pull-up resistor can be connected by means of software.		Input	ANO0, ANO1

Caution For pins that also function as port pins, do not perform the following operations during A/D conversion. If these operations are performed, the total error ratings cannot be kept.

- (1) Rewrite the output latch whose pin is used as a port pin.
- (2) Change the output level of the pin used as an output pin, even if it is not used as a port pin.

(2) Non-port pins (1/2)

Pin Name	I/O	Function	After Reset	Alternate Function
INTP0	Input	External interrupt request input for which the effective edge (rising edge, falling edge, or both rising and falling edges) can be specified.	Input	P00/TI00
INTP1				P01/TI01
INTP2				P02
INTP3				P03
INTP4				P04
INTP5				P05
INTP6				P06
SI0	Input	Serial interface serial data input.	Input	P25/SB0
SI1				P20
SI2				P70/RxD
SO0	Output	Serial interface serial data output.	Input	P26/SB1
SO1				P21
SO2				P71/TxD
SB0	I/O	Serial interface serial data input/output.	Input	P25/SI0
SB1				P26/SO0
$\overline{\text{SCK0}}$	I/O	Serial interface serial clock input/output.	Input	P27
$\overline{\text{SCK1}}$				P22
$\overline{\text{SCK2}}$				P72/ASCK
STB	Output	Strobe signal output for serial interface automatic transmission/reception.	Input	P23
BUSY	Input	Busy input for serial interface automatic transmission/reception.	Input	P24
RxD	Input	Serial data input for asynchronous serial interface.	Input	P70/SI2
TxD	Output	Serial data output for asynchronous serial interface.	Input	P71/SO2
ASCK	Input	Serial clock input for asynchronous serial interface.	Input	P72/ $\overline{\text{SCK2}}$
TI00	Input	External count clock input to 16-bit timer (TM0).	Input	P00/INTP0
TI01		Capture trigger signal input to capture register (CR00).		P01/INTP1
TI1		External count clock input to 8-bit timer (TM1).		P33
TI2		External count clock input to 8-bit timer (TM2).		P34
TO0	Output	16-bit timer (TM0) output (shared with 14-bit PWM output).	Input	P30
TO1		8-bit timer (TM1) output.		P31
TO2		8-bit timer (TM2) output.		P32
PCL	Output	Clock output (for trimming of main system clock and subsystem clock)	Input	P35
BUZ	Output	Buzzer output	Input	P36
RTP0 to RTP3	Output	Real-time output port outputting data in synchronization with trigger.	Input	P120 to P123
RTP4				P124/ $\overline{\text{TX}}$
RTP5				P125/ $\overline{\text{RX}}$
RTP6, RTP7				P126, P127
$\overline{\text{TX}}$	Output	Data output for IEBus controller.	Input	P124/RTP4
$\overline{\text{RX}}$	Input	Data input for IEBus controller.	Input	P125/RTP5

(2) Non-port pins (2/2)

Pin Name	I/O	Function	After Reset	Alternate Function
AD0 to AD7	I/O	Low-order address/data bus when external memory is connected.	Input	P40 to P47
A8 to A15	Output	High-order address bus when external memory is connected.	Input	P50 to P57
\overline{RD}	Output	Strobe signal output for read operation on external memory.	Input	P64
\overline{WR}		Strobe signal output for write operation on external memory.	Input	P65
\overline{WAIT}	Input	Wait state insertion for external memory access.	Input	P66
ASTB	Output	Strobe output to externally latch address information output to ports 4 and 5 to access external memory.	Input	P67
ANI0 to ANI7	Input	Analog input of A/D converter.	Input	P10 to P17
ANO0, ANO1	Output	Analog output of D/A converter.	Input	P130, P131
AV _{REF0}	Input	Reference voltage input of A/D converter.	–	–
AV _{REF1}	Input	Reference voltage input of D/A converter.	–	–
AV _{DD}	–	Analog power supply of A/D converter. (alternate function : port power supply).	–	–
AV _{SS}	–	Ground potential of A/D converter and D/A converter. (alternate function : port ground potential)	–	–
\overline{RESET}	Input	System reset input.	–	–
X1	Input	Crystal resonator connection for main system clock oscillation.	–	–
X2	–		–	–
XT1	Input	Crystal resonator connection for subsystem clock oscillation.	Input	P07
XT2	–		–	–
V _{DD}	–	Positive power supply (except for ports and analog units).	–	–
V _{PP}	–	High-voltage application for program write/verify. Connect to V _{SS} directly in normal operation mode.	–	–
V _{SS}	–	Ground (except for ports and analog units).	–	–

- Cautions**
1. The AV_{DD} pin functions as both an A/D converter power supply and a port power supply. When the μPD78P098B is used in applications where the noise generated inside the microcontroller needs to be reduced, connect the AV_{DD} pin to another power supply that has the same potential as V_{DD}.
 2. The AV_{SS} pin functions both as a ground of the A/D and D/A converters and as a ground of a port. When the μPD78P098B is used in applications where the noise generated inside the microcontroller needs to be reduced, connect the AV_{SS} pin to a ground line other than V_{SS}.

2.2 Pins in PROM Programming Mode

Pin Name	I/O	Function
RESET	Input	PROM programming mode setting. When +5 V or +12.5 V is applied to the V _{PP} pin, and low level is applied to the RESET pin, PROM programming mode is set.
V _{PP}	Input	PROM programming mode setting and high-voltage application for program write/verify.
A0 to A16	Input	Address bus.
D0 to D7	I/O	Data bus.
CE	Input	PROM enable input/program pulse input.
OE	Input	Read strobe input to PROM.
PGM	Input	Program/program inhibit input in PROM programming mode.
V _{DD}	–	Positive power supply.
V _{SS}	–	Ground.

2.3 Pin I/O Circuits and Connection of Unused Pins

Table 2-1 shows the types of I/O circuits for the various pins and the connection of unused pins. For the configuration of the various I/O circuits, refer to Figure 2-1.

Table 2-1. I/O Circuit Type of Each Pin (1/2)

Pin Name	I/O Circuit Type	I/O	Recommended Connection When Not Used
P00/INTP0/TI00	2	Input	Connect to V _{SS} .
P01/INTP1/TI01	8-D	I/O	Individually connect to V _{SS} via a resistor.
P02/INTP2			
P03/INTP3			
P04/INTP4			
P05/INTP5			
P06/INTP6			
P07/XT1	16	Input	Connect to V _{DD} or V _{SS} .
P10/ANI0 to P17/ANI7	11-C	I/O	Individually connect to V _{DD} or V _{SS} via a resistor.
P20/SI1			
P21/SO1			
P22/SCK1			
P23/STB			
P24/BUSY			
P25/SI0/SB0			
P26/SO0/SB1			
P27/SCK0			
P30/TO0			
P31/TO1			
P32/TO2			
P33/TI1	8-D		
P34/TI2			

Table 2-1. I/O Circuit Type of Each Pin (2/2)

Pin Name	I/O Circuit Type	I/O	Recommended Connection When Not Used
P35/PCL	5-J	I/O	Individually connect to V _{DD} or V _{SS} via a resistor.
P36/BUZ			
P37			
P40/AD0 to P47/AD7	5-O		Individually connect to V _{DD} via a resistor.
P50/A8 to P57/A15	5-J		Individually connect to V _{DD} or V _{SS} via a resistor.
P60 to P63	13-H		Individually connect to V _{DD} via a resistor.
P64/ \overline{RD}	5-J		Individually connect to V _{DD} or V _{SS} via a resistor.
P65/ \overline{WR}			
P66/ \overline{WAIT}			
P67/ASTB			
P70/SI2/RxD	8-D		
P71/SO2/TxD	5-J		
P72/ $\overline{SCK2}$ /ASCK	8-D		
P120/RTP0 to P123/RTP3	5-J		
P124/RTP4/ \overline{TX}			
P125/RTP5/ \overline{RX}			
P126/RTP6, P127/RTP7			
P130/ANO0, P131/ANO1	12-B	Individually connect to V _{SS} via a resistor.	
\overline{RESET}	2	Input	
XT2	16	–	Leave open
V _{REF0}	–	–	Connect to V _{SS} .
V _{REF1}			Connect to V _{DD} .
V _{DD}			Connect to another power supply of the same potential as V _{DD} .
V _{SS}			Connect to another ground of the same potential as V _{SS} .
V _{PP}			Directly connect to V _{SS} .

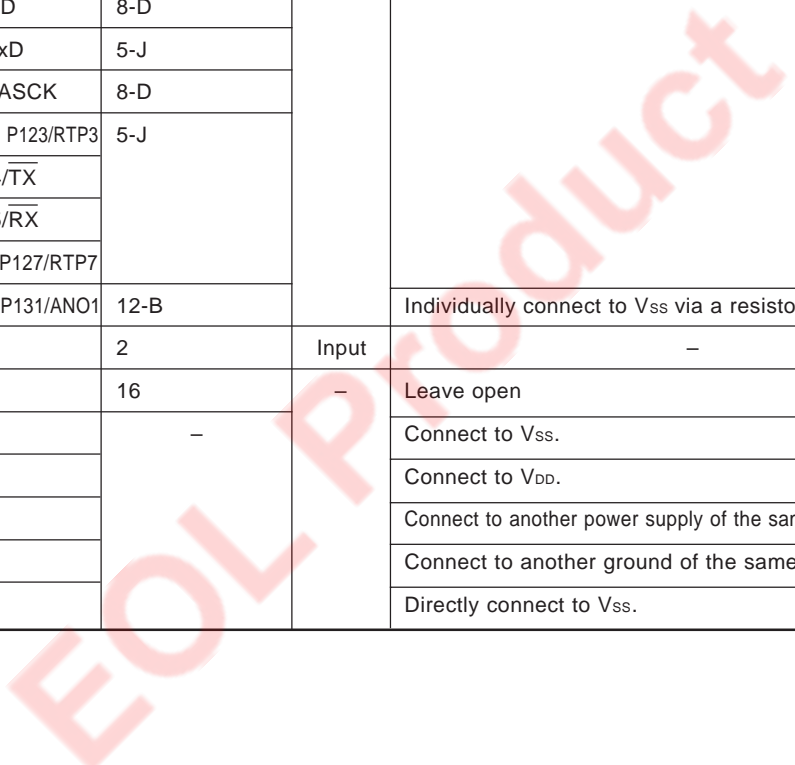


Figure 2-1. I/O Circuits of Pins (1/2)

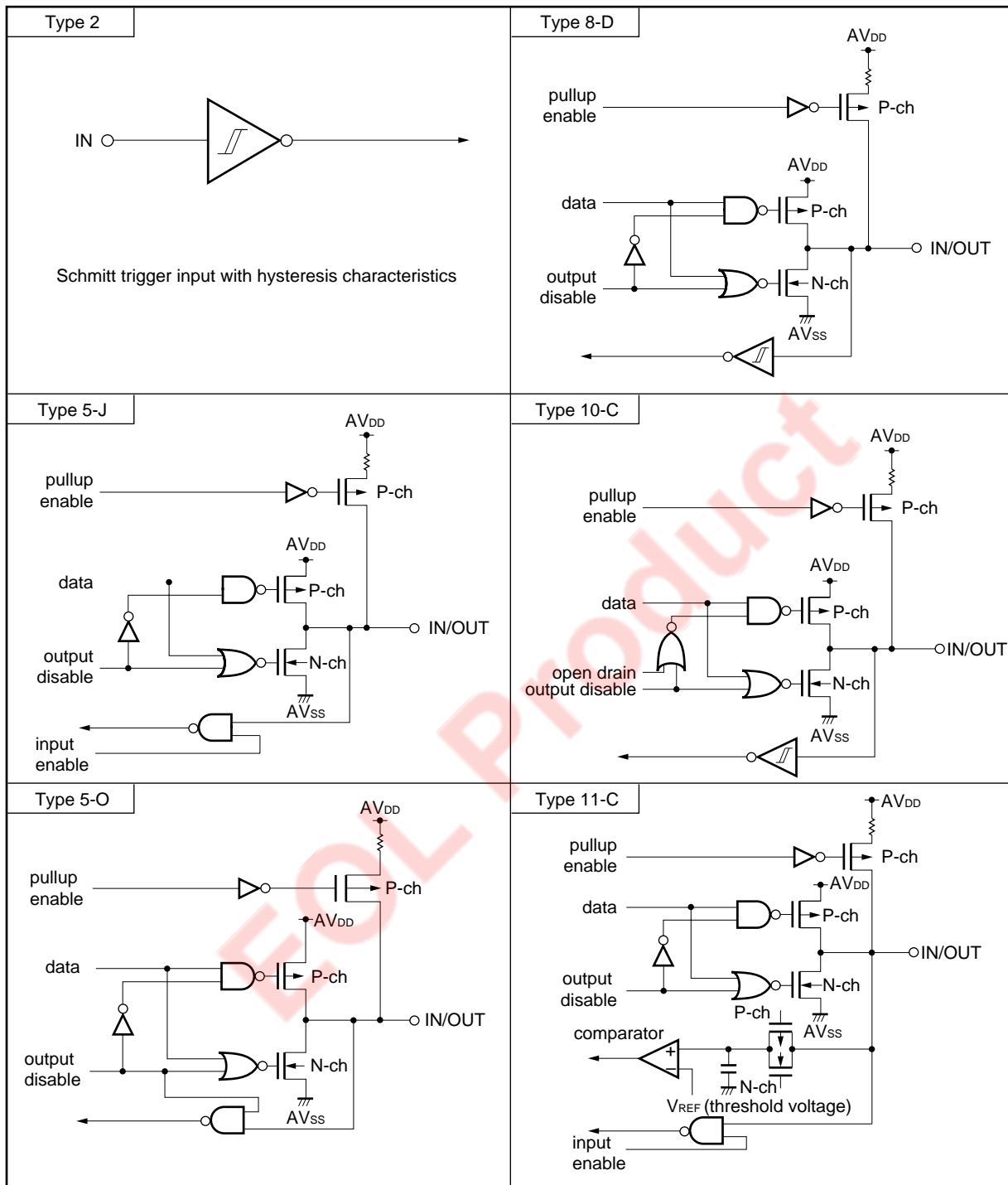
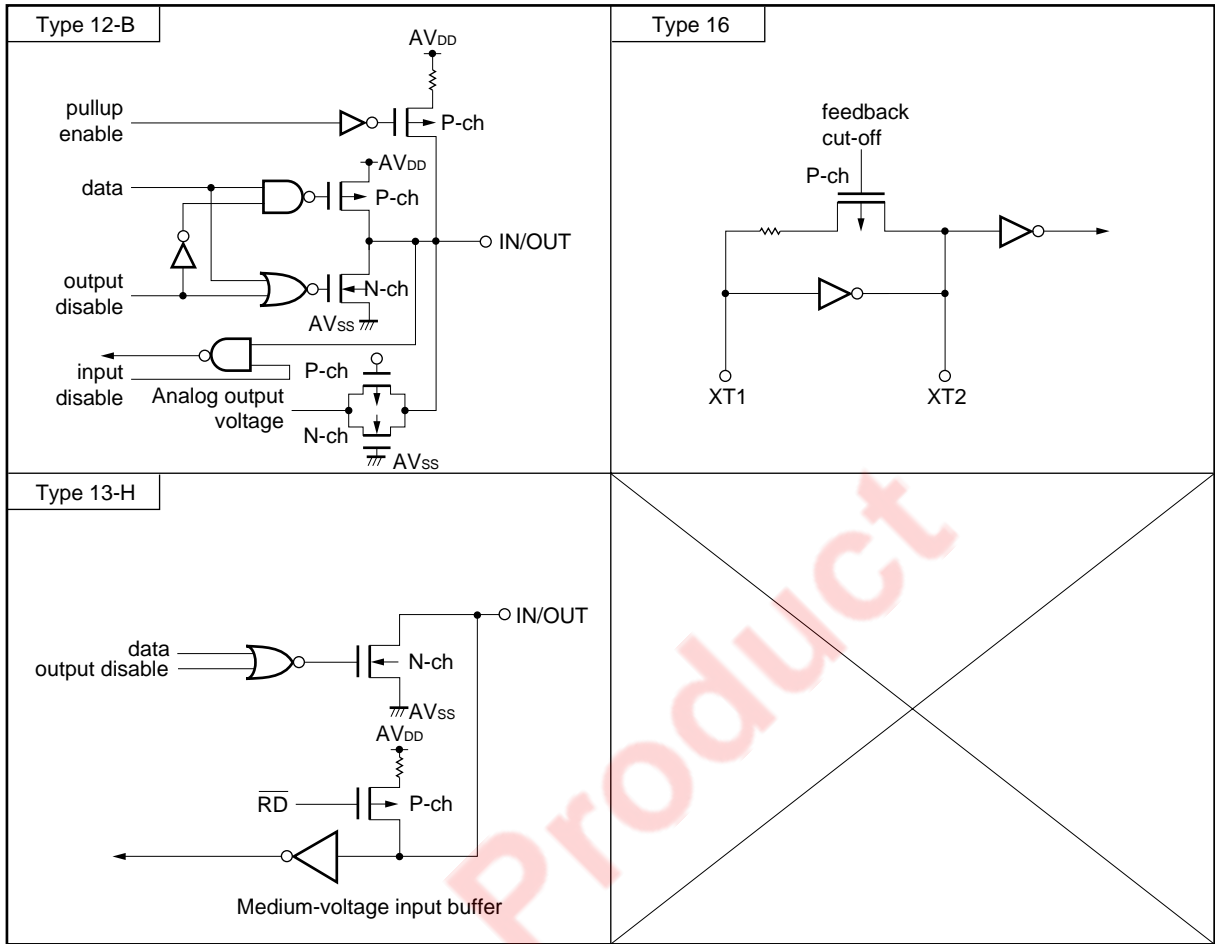


Figure 2-1. I/O Circuits of Pins (2/2)



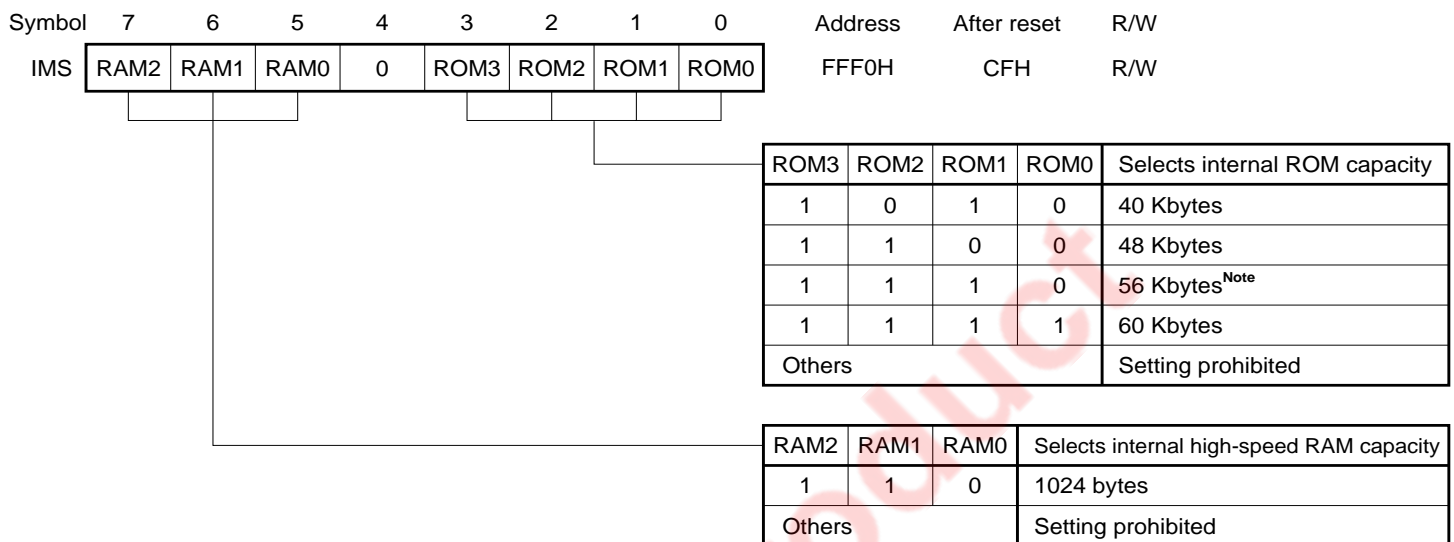
3. INTERNAL MEMORY SIZE SWITCHING REGISTER (IMS)

This register specifies via software the part of the internal memory that is not used. By using this register, the internal memory (ROM) of the μPD78P098B can be mapped in the same manner as that of a mask ROM version.

IMS is set by an 8-bit memory manipulation instruction.

The contents of this register are set to CFH after RESET input.

Figure 3-1. Format of the Internal Memory Size Switching Register



Note When using the external device expansion function, set the internal PROM capacity to 56 Kbytes or less.

Table 3-1 shows the value settings of IMS to map the memory of the μPD78P098B in the same manner as that of the respective mask ROM version.

Table 3-1. Value Settings of the Internal Memory Size Switching Register

Mask ROM Version	IMS Value Setting
μPD78095B	CAH
μPD78096B	CCH
μPD78098B	CFH

4. INTERNAL EXPANSION RAM SIZE SWITCHING REGISTER (IXS)

This register specifies the internal expansion RAM capacity via software. By using this register, the internal expansion RAM of the μPD78P098B can be mapped in the same manner as that of a mask ROM model.

IXS is set by an 8-bit memory manipulation instruction.

The contents of this register are set to 08H after RESET input.

Figure 4-1. Format of Internal Expansion RAM Size Switching Register

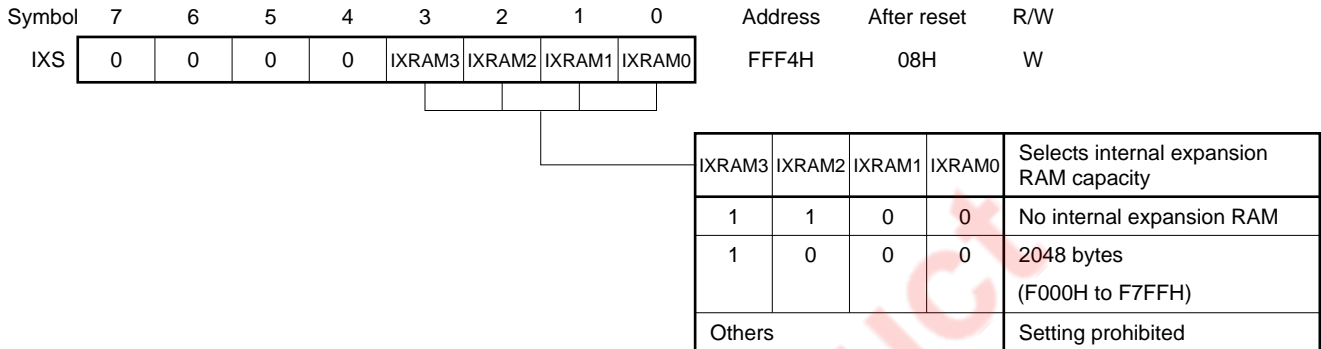


Table 4-1 shows the value settings of IXS to map the internal expansion RAM of the μPD78P098B in the same manner as that of the respective mask ROM version.

Table 4-1. Value Settings of Internal Expansion RAM Size Switching Register

Mask ROM Version	IXS Value Setting
μPD78095B	0CH ^{Note}
μPD78096B	
μPD78098B	08H

Note Even when a program for the μPD78P098B in which “MOV IXS, #0CH” is coded is executed on the μPD78095B, 78096B, or 78098B, no operation is affected.

5. PROM PROGRAMMING

The μPD78P098B is provided with a 60-Kbyte PROM as a program memory. When programming this memory, it must be set in the PROM programming mode by using the V_{PP} and $\overline{\text{RESET}}$ pins. For connections of the unused pins, refer to (2) PROM programming mode in PIN CONFIGURATION (Top View).

Caution Write the program to addresses in the range 0000H through EFFFH (specify the last address as EFFFH). A program cannot be written with a PROM programmer that cannot specify write addresses.

5.1 Operation Modes

When +5 V or +12.5 V is applied to the V_{PP} pin and low level is applied to the $\overline{\text{RESET}}$ pin, the PROM programming mode is set. In this mode, the operation modes shown in Table 5-1 can be selected by using the $\overline{\text{CE}}$, $\overline{\text{OE}}$, and $\overline{\text{PGM}}$ pins.

The contents of the PROM can be read in the read mode.

Table 5-1. Operation Modes in PROM Programming Mode

Operation Mode \ Pin	$\overline{\text{RESET}}$	V _{PP}	V _{DD}	$\overline{\text{CE}}$	$\overline{\text{OE}}$	$\overline{\text{PGM}}$	D0 to D7
Page data latch	L	+12.5 V	+6.5 V	H	L	H	Data input
Page write				H	H	L	High impedance
Byte write				L	H	L	Data input
Program verify				L	L	H	Data output
Program inhibit				×	H	H	High impedance
				×	L	L	
Read	+5 V	+5 V	L	L	H	Data output	
Output disable			L	H	×	High impedance	
Standby			H	×	×	High impedance	

×: L or H

(1) Read mode

This mode is set when both the \overline{CE} and \overline{OE} pins are made low.

(2) Output disable mode

When the \overline{OE} pin is made high, data output goes into a high-impedance state, and the output disable mode is set.

If two or more μ PD78P098Bs are connected to the data bus, therefore, data can be read from any one of the devices by controlling the \overline{OE} pin.

(3) Standby mode

The standby mode is set when the \overline{CE} pin is made high.

In this mode, data output goes into a high-impedance state regardless of the status of the \overline{OE} pin.

(4) Page data latch mode

The page data latch mode is set when the \overline{CE} and \overline{PGM} pins are made high and the \overline{OE} pin is made low at the beginning of the page write mode.

In this mode, data of 1 page and 4 bytes is latched to the on-chip address/data latch circuit.

(5) Page write mode

Page write is executed by applying a 0.1-ms program pulse (active low) to the \overline{PGM} pin with the \overline{CE} and \overline{OE} pins made high after addresses and data of 1 page and 4 bytes have been latched in the page data latch mode. After that, the program can be verified by making both the \overline{CE} and \overline{OE} pins low.

If the program cannot be written by one program pulse, writing and verifying are repeated X times ($X \leq 10$).

(6) Byte write mode

Byte write is executed by applying a 0.1-ms program pulse (active low) to the \overline{PGM} pin with the \overline{CE} pin made low and \overline{OE} pin high. The program is verified by later making the \overline{OE} pin low.

If the program cannot be written by one program pulse, writing and verifying are repeated X times ($X \leq 10$).

(7) Program verify mode

Program verify mode is set when the \overline{CE} and \overline{OE} pins are made low and the \overline{PGM} pin is made high.

After writing the program, check in this mode whether the program has been correctly written.

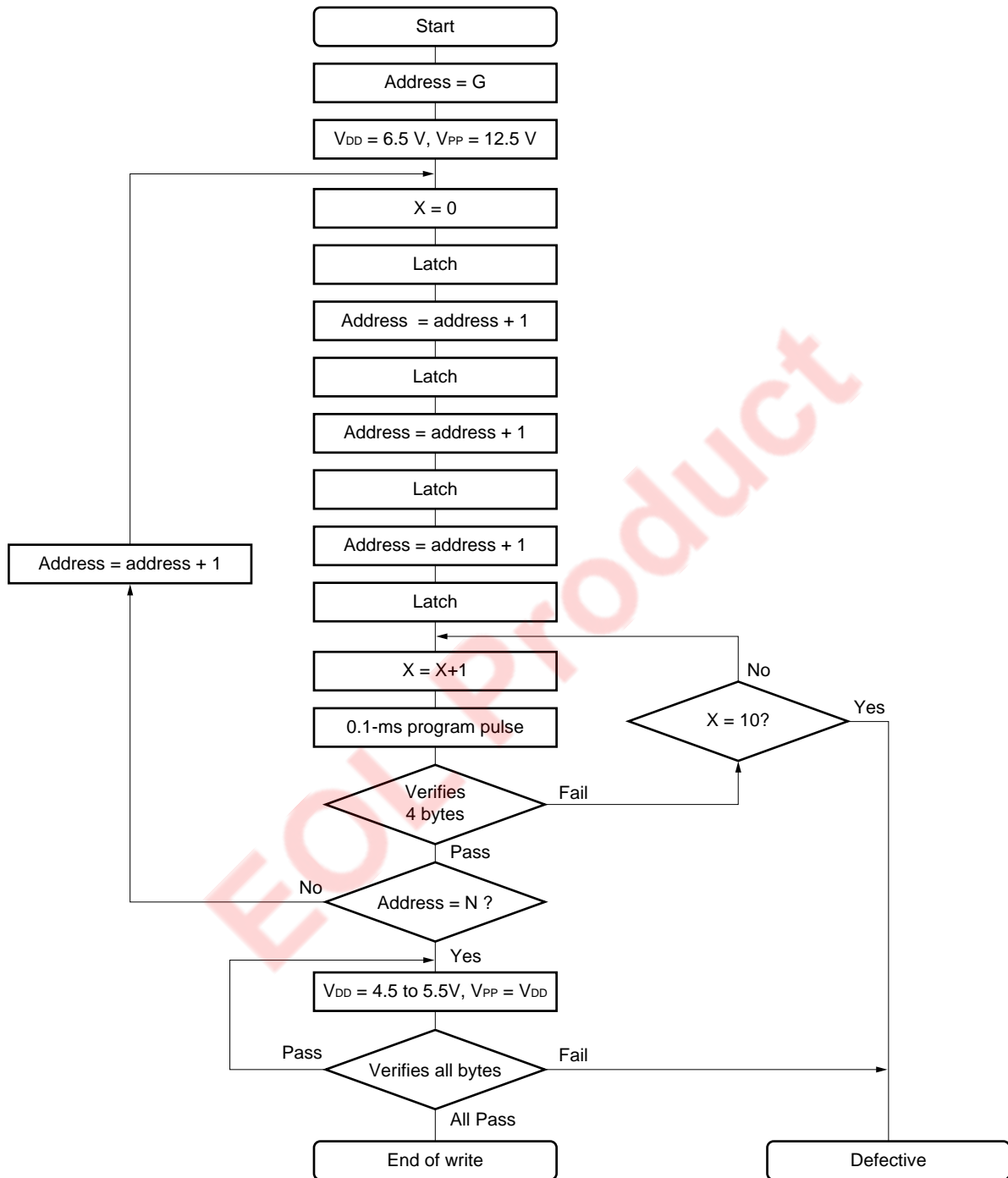
(8) Program inhibit mode

This mode is used to write a program to one of two or more μ PD78P098Bs with the \overline{OE} , V_{PP} , and D0 through D7 pins connected in parallel.

To write a program, the page write or byte write mode described above is used. At this time, the program is not written to those devices whose \overline{PGM} pin is made high.

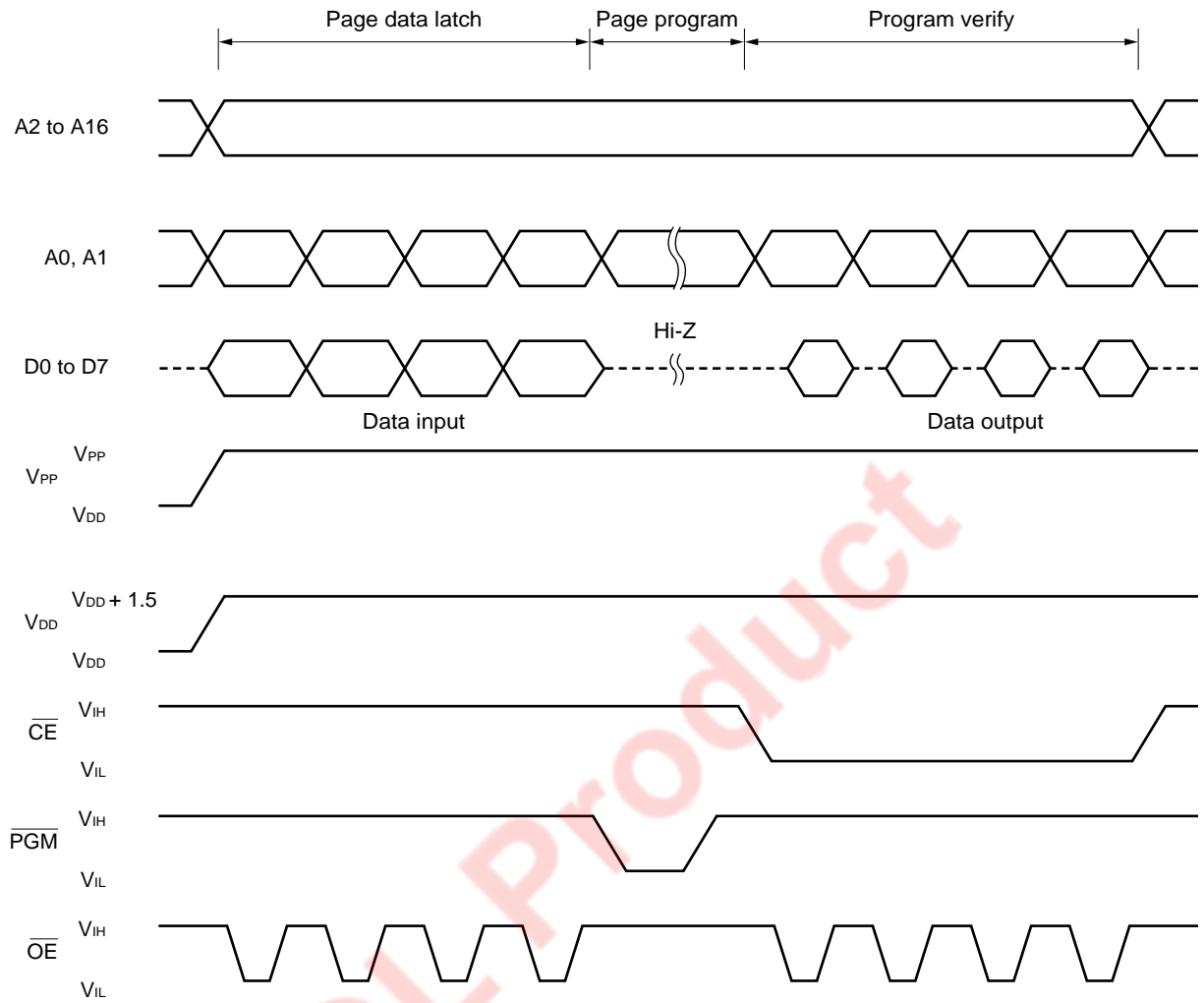
5.2 PROM Write Procedure

Figure 5-1. Page Program Mode Flowchart



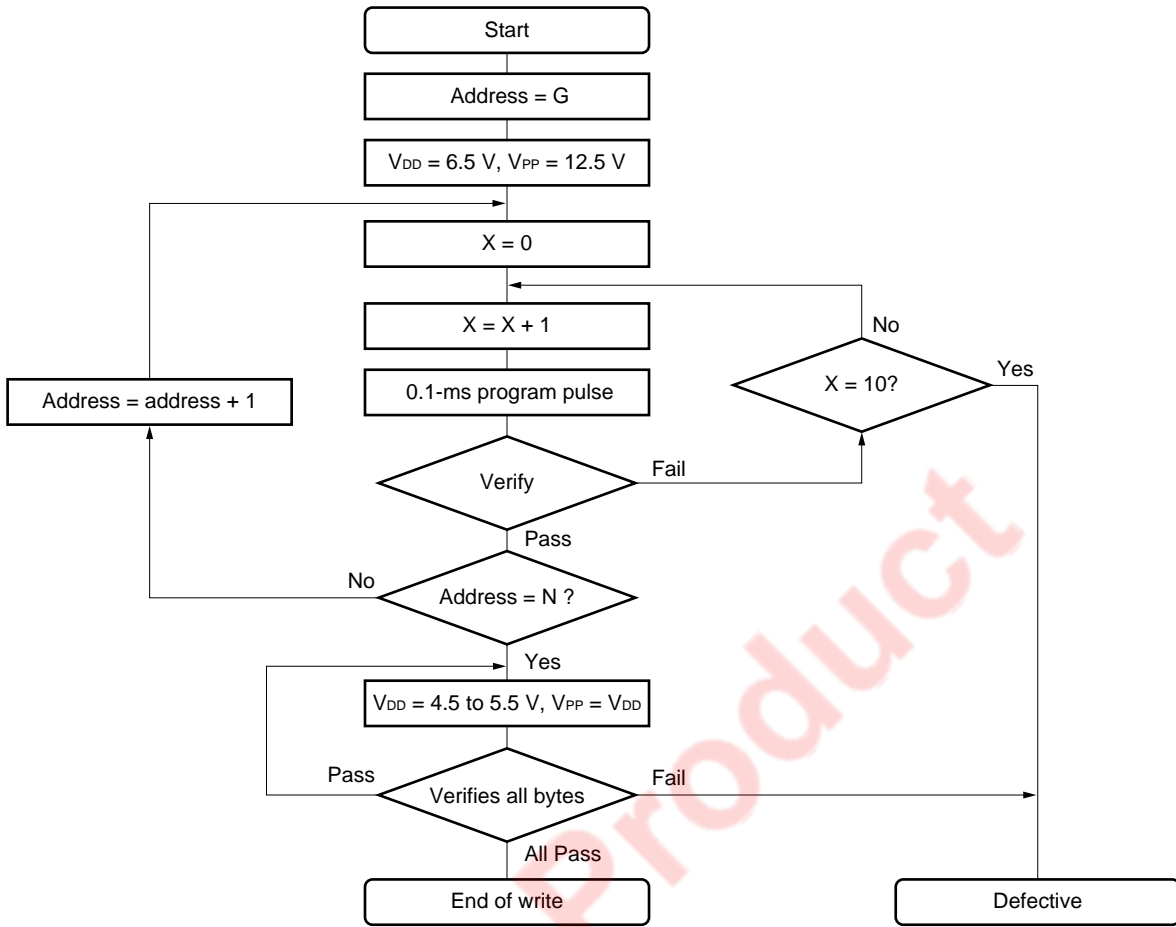
G = start address
 N = end address of program

Figure 5-2. Page Program Mode Timing



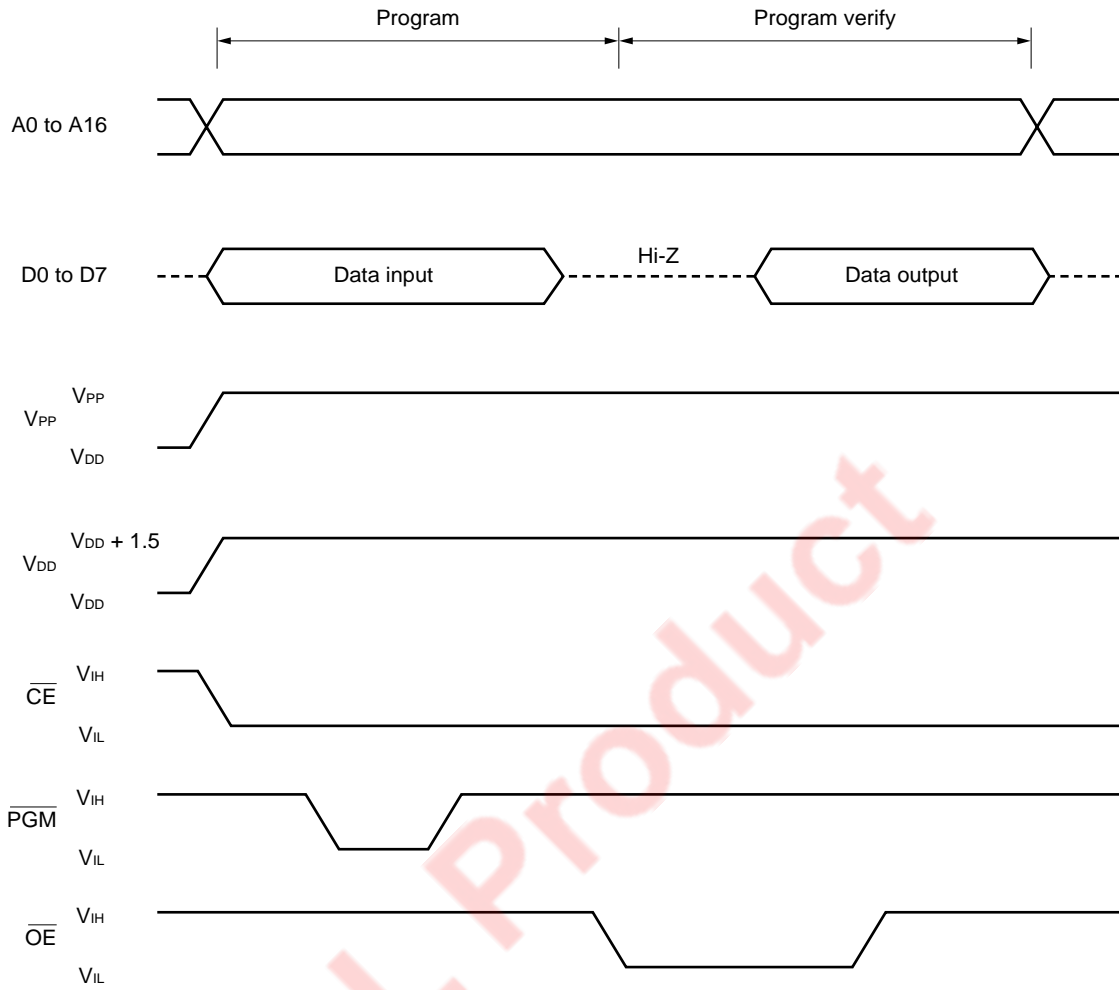
EOL Product

Figure 5-3. Byte Program Mode Flowchart



G = start address
 N = end address of program

Figure 5-4. Byte Program Mode Timing



- Cautions**
1. Apply V_{DD} before V_{PP} and turn off V_{DD} after V_{PP}.
 2. Keep V_{PP} from going above +13.5 V, including overshoot.
 3. If the device is inserted into or pulled out of the socket while +12.5 V is applied to V_{PP}, the reliability may be adversely affected.

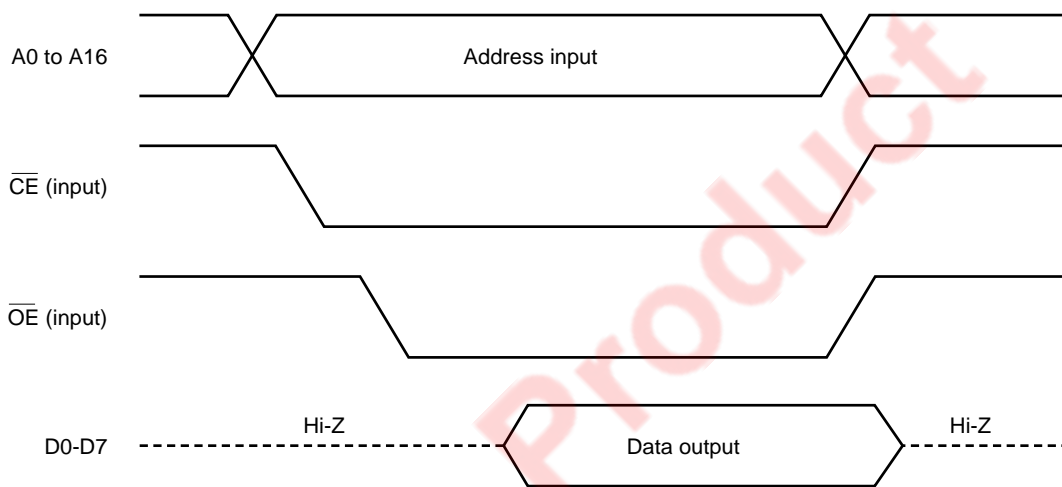
5.3 PROM Read Procedure

The contents of the PROM can be read out to the external data bus (D0 through D7) with the following procedure:

- (1) Fix the $\overline{\text{RESET}}$ pin to the low level. Supply +5 V to the V_{PP} pin. Connect the unused pins as described in **(2) PROM programming mode** in **PIN CONFIGURATION (Top View)**.
- (2) Supply +5 V to the V_{DD} and V_{PP} pins.
- (3) Input the address of the data to be read to the A0 through A16 pins.
- (4) The read mode is set.
- (5) Data is output to the D0 through D7 pins.

Figure 5-5 shows the timing of steps (2) through (5) above.

Figure 5-5. PROM Read Timing



6. SCREENING OF ONE-TIME PROM VERSION

The one-time PROM version (μ PD78P098BGC-3B9) cannot be completely tested by NEC before shipment. It is recommended that screening be implemented to verify the PROM after data has been written to the PROM and the device has been stored under the following conditions:

Storage Temperature	Storage Time
125°C	24 hours

NEC provides a writing, marking, screening, and verifying service for one-time PROMs, called QTOP microcontroller. This service for the μ PD78P098B is in preparation. For details, consult NEC.

EOL Product

7. ELECTRICAL SPECIFICATIONS

ABSOLUTE MAXIMUM RATINGS (T_A = 25°C)

Parameter	Symbol	Test Conditions		Ratings	Unit
Supply voltage	V _{DD}			-0.3 to + 7.0	V
	V _{PP}			-0.3 to +13.5	V
	AV _{DD}			-0.3 to V _{DD} + 0.3	V
	AV _{REF0}			-0.3 to V _{DD} + 0.3	V
	AV _{REF1}			-0.3 to V _{DD} + 0.3	V
	AV _{SS}			-0.3 to +0.3	V
Input voltage	V _{I1}	P00 to P07, P10 to P17, P20 to P27, P30 to P37, P40 to 47, P50 to P57, P64 to P67, P70 to P72, P120 to P127, P130, P131, X1, X2, XT2, RESET		-0.3 to V _{DD} +0.3	V
	V _{I2}	P60 to P63	N-ch open drain	-0.3 to +16	V
	V _{I3}	A9	PROM programming mode	-0.3 to +13.5	V
Output voltage	V _O			-0.3 to V _{DD} + 0.3	V
Analog input voltage	V _{AN}	P10 to P17	Analog input pins	AV _{SS} - 0.3 to AV _{REF0} + 0.3	V
Output current high	I _{OH}	1 pin		-10	mA
		Total for P01 to P06, P30 to P37, P56, P57, P60 to P67, P120 to P127		-15	mA
		Total for P10 to P17, P20 to P27, P40 to P47, P50 to P55, P70 to P72, P130, P131		-15	mA
Output current low	I _{OL} Note	1 pin	Peak value	30	mA
			r.m.s. value	15	mA
		Total for P50 to P55	Peak value	100	mA
			r.m.s. value	70	mA
		Total for P56, P57, P60 to P63	Peak value	100	mA
			r.m.s. value	70	mA
		Total for P10 to P17, P20 to P27, P40 to P47, P70 to P72, P130, P131	Peak value	50	mA
			r.m.s. value	20	mA
		Total for P01 to P06, P30 to P37, P64 to P67, P120 to P127	Peak value	50	mA
			r.m.s	20	mA
Operating ambient temperature	T _A			-40 to +85	°C
Storage temperature	T _{stg}			-65 to +150	°C
Total power dissipation	P _d			650	mW

Note The r.m.s. (root mean square) value should be calculated as follows: [r.m.s. value] = [Peak value] x √Duty

Caution Product quality may suffer if the absolute maximum rating is exceeded for even a single parameter, or even momentarily. In other words, the absolute maximum ratings are rated values at which the product is on the verge of suffering physical damage, and therefore the product must be used under conditions which ensure that the absolute maximum ratings are not exceeded.

Remark Unless otherwise specified, alternate function characteristics are the same as port pin characteristics.

MAIN SYSTEM CLOCK OSCILLATOR CHARACTERISTICS (T_A = -40 to +85°C, V_{DD} = 2.7 to 5.5 V)

Resonator	Recommended Circuit	Parameter	Test Conditions	MIN.	TYP.	MAX.	Unit
Ceramic resonator		Oscillation frequency (f _x) ^{Note 1}	V _{DD} = Oscillation voltage range	1.0	6.0	6.29	MHz
		Oscillation stabilization time ^{Note 2}	After V _{DD} has reached MIN. of oscillation voltage range			4	ms
Crystal resonator		Oscillation frequency (f _x) ^{Note 1}		1.0	6.0	6.29	MHz
		Oscillation stabilization time ^{Note 2}	V _{DD} = 4.5 to 5.5 V			10 30	ms
External clock		X1 input frequency (f _x) ^{Note 1}		1.0	6.0	6.29	MHz
		X1 input high-/low-level width (t _{xH} /t _{xL})	When f _{xx} = f _x	85		500	ns
			Other than above	72		500	ns

- Notes**
1. Only the oscillator characteristics are shown. See the AC characteristics for instruction execution times.
 2. This is the time required for oscillation to stabilize after a reset or STOP mode release.

Cautions

1. When the main system clock oscillator is used, the following should be noted concerning wiring in the area in the figure enclosed by a broken line to prevent the influence of wiring capacitance, etc.

- The wiring should be kept as short as possible.
- No other signal lines should be crossed.
- Keep away from lines carrying a high fluctuating current.
- The oscillator capacitor grounding point should always be at the same potential as V_{SS}.
- Do not connect to a ground pattern carrying a high current.
- No signals should be extracted from the oscillator.

2. When the main system clock is stopped and the device is operating on the subsystem clock, wait until the oscillation stabilization time has been secured by the program before switching back to the main system clock.

SUBSYSTEM CLOCK OSCILLATOR CHARACTERISTICS (T_A = -40 to +85 °C, V_{DD} = 2.7 to 5.5 V)

Resonator	Recommended Circuit	Parameter	Test Conditions	MIN.	TYP.	MAX.	Unit
Crystal resonator		Oscillation frequency (f _{XT}) ^{Note 1}		32	32.768	35	MHz
		Oscillation stabilization time ^{Note 2}	V _{DD} = 4.5 to 5.5 V		1.2	2	s
External clock		X1 input frequency (f _{XT}) ^{Note 1}		32		100	kHz
		X1 input high-/low-level width (t _{XTH} /t _{XTL})		5		15	μs

- Notes**
- Only the oscillator characteristics are shown. See the AC characteristics for instruction execution times.
 - This is the time required for oscillation to stabilize after power (V_{DD}) is turned on.

Cautions 1. When the subsystem clock oscillator is used, the following should be noted concerning wiring in the area in the figure enclosed by a broken line to prevent the influence of wiring capacitance, etc.

- The wiring should be kept as short as possible.
- No other signal lines should be crossed.
- Keep away from lines carrying a high fluctuating current.
- The oscillator capacitor grounding point should always be at the same potential as V_{SS}.
- Do not connect to a ground pattern carrying a high current.
- No signals should be extracted from the oscillator.

2. The subsystem clock oscillator is a low-amplitude circuit in order to achieve a low consumption current, and is more prone to malfunction due to noise than the main system clock oscillator. Particular care is therefore required with the wiring method when the subsystem clock is used.

CAPACITANCE (T_A = 25°C, V_{DD} = V_{SS} = 0 V)

Parameter	Symbol	Test Conditions	MIN.	TYP.	MAX.	Unit	
Input capacitance	C _{IN}	f = 1 MHz Unmeasured pins returned to 0 V.			15	pF	
Input/output capacitance	C _{IO}	f = 1 MHz Unmeasured pins returned to 0 V.	P01 to P06, P10 to P17, P20 to P27, P30 to P37, P40 to P47, P50 to P57, P64 to P67, P70 to P72, P120 to P127, P130, P131			15	pF
			P60 to P63			20	pF

Remark Unless otherwise specified, alternate function characteristics are the same as port pin characteristics.

DC CHARACTERISTICS (T_A = -40 to +85°C, V_{DD} = 2.7 to 5.5 V)

Parameter	Symbol	Conditions	MIN.	TYP.	MAX.	Unit	
Input voltage high	V _{IH1}	P10 to P17, P21, P23, P30 to P32, P35 to P37, P40 to P47, P50 to P57, P64 to P67, P71, P120 to P127, P130, P131	0.7V _{DD}		V _{DD}	V	
	V _{IH2}	P00 to P06, P20, P22, P24 to P27, P33, P34, P70, P72, RESET	0.8V _{DD}		V _{DD}	V	
	V _{IH3}	P60 to P63, N-ch open drain	0.7V _{DD}		15	V	
	V _{IH4}	X1, X2	V _{DD} - 0.5		V _{DD}	V	
	V _{IH5}	XT1/P07, XT2	4.5 V ≤ V _{DD} ≤ 5.5 V	0.8V _{DD}		V _{DD}	V
2.7 V ≤ V _{DD} < 4.5 V			0.9V _{DD}		V _{DD}	V	
Input voltage low	V _{IL1}	P10 to P17, P21, P23, P30 to P32, P35 to P37, P40 to P47, P50 to P57, P64 to P67, P71, P120 to P127, P130, P131	0		0.3V _{DD}	V	
	V _{IL2}	P00 to P06, P20, P22, P24 to P27, P33, P34, P70, P72, RESET	0		0.2V _{DD}	V	
	V _{IL3}	P60 to P63, N-ch open drain	4.5 V ≤ V _{DD} ≤ 5.5 V	0		0.3V _{DD}	V
			2.7 V ≤ V _{DD} < 4.5 V	0		0.2V _{DD}	V
	V _{IL4}	X1, X2	0		0.4	V	
V _{IL5}	XT1/P07, XT2	V _{DD} = 4.5 to 5.5 V	0		0.2V _{DD}	V	
			0		0.1V _{DD}	V	
Output voltage high	V _{OH1}	V _{DD} = 4.5 to 5.5 V, I _{OH} = -1 mA	V _{DD} - 1.0			V	
		I _{OH} = -100 μA	V _{DD} - 0.5			V	
Output voltage low	V _{OL1}	P50 to P57, P60 to P63	V _{DD} = 4.5 to 5.5 V, I _{OL} = 15 mA		0.4	2.0	V
		P01 to P06, P10 to P17, P20 to P27, P30 to P37, P40 to P47, P64 to P67, P70 to P72, P120 to P127, P130, P131	V _{DD} = 4.5 to 5.5 V, I _{OL} = 1.6 mA			0.4	V
	V _{OL2}	SB0, SB1, SCK0	V _{DD} = 4.5 to 5.5 V, Open drain, when pulled up (R = 1 kΩ)			0.2V _{DD}	V
	V _{OL3}	I _{OL} = 400 μA				0.5	V

Remark Unless otherwise specified, alternate function characteristics are the same as port pin characteristics.

DC CHARACTERISTICS (T_A = -40 to +85°C, V_{DD} = 2.7 to 5.5 V)

Parameter	Symbol	Test Conditions		MIN.	TYP.	MAX.	Unit
Input leakage current high	I _{LIH1}	V _{IN} = V _{DD}	P00 to P06, P10 to P17, P20 to P27, P30 to P37, P40 to P47, P50 to P57, P60 to P67, P70 to P72, P120 to P127, P130, P131, $\overline{\text{RESET}}$			3	μA
	I _{LIH2}		X1, X2, XT1/P07, XT2			20	μA
	I _{LIH3}	V _{IN} = 15 V	P60 to P63			80	μA
Input leakage current low	I _{LIL1}	V _{IN} = 0 V	P00 to P06, P10 to P17, P20 to P27, P30 to P37, P40 to P47, P50 to P57, P60 to P67, P70 to P72, P120 to P127, P130, P131, $\overline{\text{RESET}}$			-3	μA
	I _{LIL2}		X1, X2, XT1/P07, XT2			-20	μA
	I _{LIL3}		P60 to P63			-3 ^{Note}	μA
Output leakage current high	I _{LOH}	V _{OUT} = V _{DD}				3	μA
Output leakage current low	I _{LOL}	V _{OUT} = 0 V				-3	μA
Software pull-up resistor	R	V _{IN} = 0 V, P01 to P06, P10 to P17, P20 to P27, P30 to P37, P40 to P47, P50 to P57, P64 to P67, P70 to P72, P120 to P127, P130, P131	4.5 ≤ V _{DD} ≤ 5.5 V	15	40	90	kΩ
			2.7 ≤ V _{DD} ≤ 4.5 V	20		500	kΩ

Note For P60 to P63, a low-level input leak current of -200 μA (MAX.) flows only during the 1.5 clocks (no-wait time) after an instruction has been executed to read out port 6 (P6) or port mode register 6 (PM6). Outside the period of 1.5 clocks following execution a read-out instruction, the current is -3 μA (MAX.).

Remark Unless otherwise specified, alternate function characteristics are the same as port pin characteristics.

DC CHARACTERISTICS (T_A = -40 to +85°C, V_{DD} = 2.7 to 5.5 V)

Parameter	Symbol	Test Conditions	MIN.	TYP.	MAX.	Unit	
Supply current ^{Note 1}	I _{DD1}	5.0-MHz crystal oscillation operating mode (f _{XX} = 2.5 MHz) ^{Note 2}	V _{DD} = 5.0 V ±10% ^{Note 6}		5	15	mA
			V _{DD} = 3.0 V ±10% ^{Note 7}		0.7	2.7	mA
		5.0-MHz crystal oscillation operating mode (f _{XX} = 5.0 MHz) ^{Note 3}	V _{DD} = 5.0 V ±10% ^{Note 6}		9	30	mA
			V _{DD} = 3.0 V ±10% ^{Note 7}		1	3.7	mA
		6.29-MHz crystal oscillation operating mode (f _{XX} = 2.1 MHz) ^{Note 4}	V _{DD} = 5.0 V ±10% ^{Note 6}		4.8	17.4	mA
	6.29-MHz crystal oscillation operating mode (f _{XX} = 4.19 MHz) ^{Note 5}	V _{DD} = 5.0 V ±10% ^{Note 6}		8.5	28.5	mA	

- Notes**
1. Current flow in V_{DD} and AV_{DD} pins. However this does not include current flow in the A/D converter, D/A converter, and an on-chip pull-up resistor.
 2. When bit 0 (IECL10) of clock switching select register 1 (IECL1) is set to 0, bit 0 (IECL20) of clock switching select register 2 (IECL2) is set to 0, and oscillator mode select register (OSMS) is set to 00H.
 3. When IECL10 is set to 0, IECL20 to 0, and OSMS is set to 01H.
 4. When IECL10 is set to 1, IECL20 to 0, and OSMS is set to 00H. Expresses only power supply characteristics. For IEBus standards refer to the IEBus controller characteristics.
 5. When IECL10 is set to 1, IECL20 to 0, and OSMS is set to 01H. Expresses only power supply characteristics. For IEBus standards refer to the IEBus controller characteristics.
 6. During high-speed operation (when the processor clock control register (PCC) is set to 00H).
 7. During low-speed operation (when PCC is set to 04H).

Remark f_{XX}: Main system clock frequency

DC CHARACTERISTICS (T_A = -40 to +85°C, V_{DD} = 2.7 to 5.5 V)

Parameter	Symbol	Test Conditions	MIN.	TYP.	MAX.	Unit
Supply current ^{Note 1}	I _{DD2}	5.0-MHz crystal oscillation HALT mode (f _{xx} = 2.5 MHz) ^{Note 2}	V _{DD} = 5.0 V ±10% ^{Note 7}	1.5	4.5	mA
			V _{DD} = 3.0 V ±10% ^{Note 8}	0.5	1.5	mA
	5.0-MHz crystal oscillation HALT mode (f _{xx} = 5.0 MHz) ^{Note 3}	V _{DD} = 5.0 V ±10% ^{Note 7}	1.8	5.4	mA	
		V _{DD} = 3.0 V ±10% ^{Note 8}	0.7	2.1	mA	
	6.29-MHz crystal oscillation HALT mode (f _{xx} = 2.1 MHz) ^{Note 4}	V _{DD} = 5.0 V ±10% ^{Note 7}	1.5	4.5	mA	
		V _{DD} = 5.0 V ±10% ^{Note 7}	1.8	5.4	mA	
	I _{DD3}	32.768-kHz crystal oscillation operating mode ^{Note 6}	V _{DD} = 5.0 V ±10%	135	270	μA
			V _{DD} = 3.0 V ±10%	95	190	μA
	I _{DD4}	32.768-kHz crystal oscillation HALT mode ^{Note 6}	V _{DD} = 5.0 V ±10%	25	55	μA
			V _{DD} = 3.0 V ±10%	5	15	μA
	I _{DD5}	XT1 = 0 V STOP mode Feedback resistor used	V _{DD} = 5.0 V ±10%	1	30	μA
			V _{DD} = 3.0 V ±10%	0.5	10	μA
I _{DD6}	XT1 = 0 V STOP mode Feedback resistor not used	V _{DD} = 5.0 V ±10%	0.1	30	μA	
		V _{DD} = 3.0 V ±10%	0.05	10	μA	

- Notes**
1. Current flow in V_{DD} and AV_{DD} pins. However this does not include current flow in the A/D converter, D/A converter, and an on-chip pull-up resistor.
 2. When bit 0 (IECL10) of clock switching select register 1 (IECL1) is set to 0, bit 0 (IECL20) of clock switching select register 2 (IECL2) is set to 0, and oscillator mode select register (OSMS) is set to 00H.
 3. When IECL10 is set to 0, IECL20 to 0, and OSMS is set to 01H.
 4. When IECL10 is set to 1, IECL20 to 0, and OSMS is set to 00H.
Expresses only power supply characteristics. For IEBus standards refer to the IEBus controller characteristics.
 5. When IECL10 is set to 1, IECL20 to 0, and OSMS is set to 01H.
Expresses only power supply characteristics. For IEBus standards refer to the IEBus controller characteristics.
 6. When main system clock is stopped.
 7. During high-speed operation (when the processor clock control register (PCC) is set to 00H).
 8. During low-speed operation (when PCC is set to 04H).

Remark f_{xx} : Main system clock frequency

AC CHARACTERISTICS

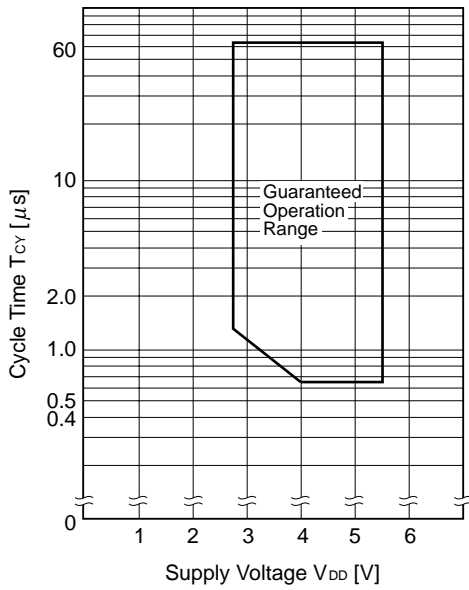
(1) Basic Operation (T_A = -40 to +85°C, V_{DD} = 2.7 to 5.5 V)

Parameter	Symbol	Test Conditions		MIN.	TYP.	MAX.	Unit	
Cycle time (Minimum instruction execution time)	T _{CY}	Operates with main system clock (MCS = 0 ^{Note 1} , f _x = 6.29 MHz)	f _{XX} = f _x /2	V _{DD} = 4.0 to 5.5 V	0.64		64	μs
					1.27		64	μs
			f _{XX} = f _x /3	V _{DD} = 4.0 to 5.5 V	0.95		64	μs
					1.91		64	μs
					1.91		64	μs
		Operates with main system clock (MCS = 1 ^{Note 2} , f _x = 6.29 MHz)	f _{XX} = f _x	V _{DD} = 4.0 to 5.5 V	0.64		32	μs
					1.27		32	μs
			f _{XX} = 2f _x /3	V _{DD} = 4.0 to 5.5 V	0.48		32	μs
					1.91		32	μs
					1.91		32	μs
f _{XX} = 2f _x /9			1.43		32	μs		
Operates with subsystem clock				40 ^{Note 3}	122	125	μs	
TI00 input frequency	f _{TI00}	f _{TI00} = t _{TH00} + t _{TIL00}		0		1/t _{TI00}	MHz	
TI00 input high-/low-level width	t _{TIH00} , t _{TIL00}			8/f _{sam} (Note 4)			μs	
TI01, TI1, TI2 input frequency	t _{TI1}	V _{DD} = 4.5 V to 5.5 V		0		4	MHz	
				0		275	kHz	
TI01, TI1, TI2 input high-/low-level width	t _{TIH1} , t _{TIL1}	V _{DD} = 4.5 V to 5.5 V		100			ns	
				1.8			μs	
Interrupt request input high-/low-level width	t _{INTH} , t _{INTL}	INTP0 INTP1 to INTP6 KR0 to KR7		8/f _{sam} ^{Note 4}			μs	
				10			μs	
				10			μs	
RESET INPUT high-/low-level width	t _{RST}			10			μs	

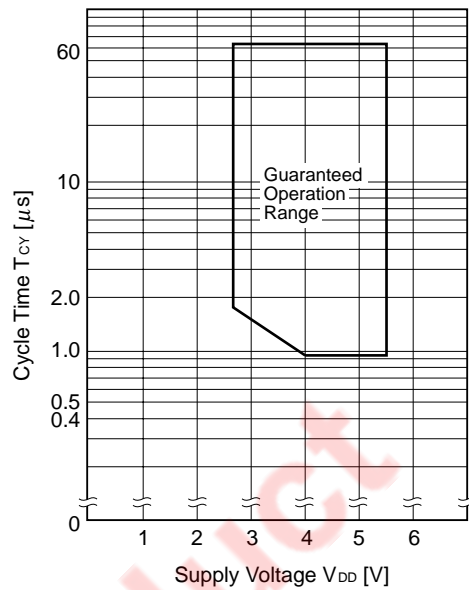
- Notes**
1. When the oscillation mode select register (OSMS) is set to 00H.
 2. When OSMS is set to 01H.
 3. Value when an external clock is used. This is 114 μs (MIN.) when using the crystal resonator.
 4. By setting the sampling clock select register (SCS) bits 0, 1 (SCS0, SCS1), the following settings can be specified.
f_{sam} = f_{xx}/2^N, f_{xx}/32, f_{xx}/64, f_{xx}/128 (N = 0 to 4).

Remarks f_{xx} : Main system clock frequency
f_x : Main system clock oscillation frequency

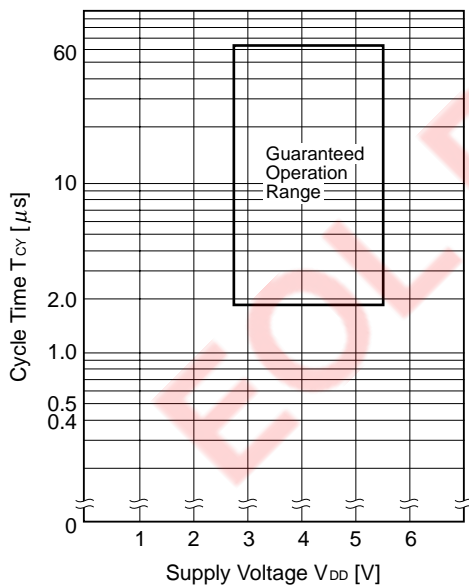
T_{CY} vs V_{DD} (Main System Clock (IECL10 = 0, IECL20 = 0, MCS = 0) Operation)



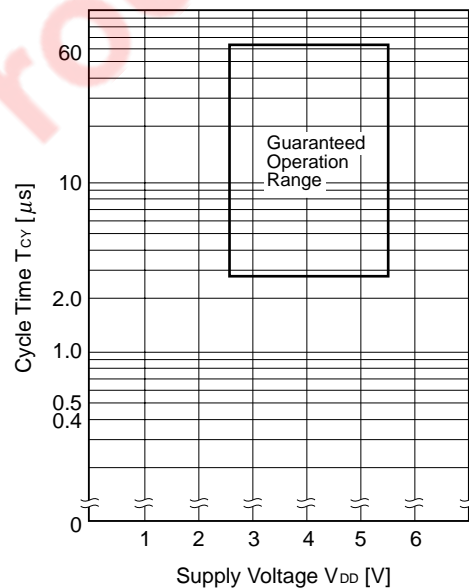
T_{CY} vs V_{DD} (Main System Clock (IECL10 = 1, IECL20 = 0, MCS = 0) Operation)



T_{CY} vs V_{DD} (Main System Clock (IECL10 = 0, IECL20 = 1, MCS = 0) Operation)

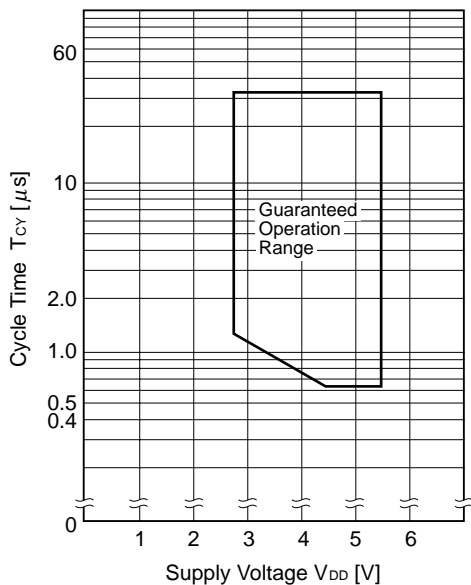


T_{CY} vs V_{DD} (Main System Clock (IECL10 = 1, IECL20 = 1, MCS = 0) Operation)

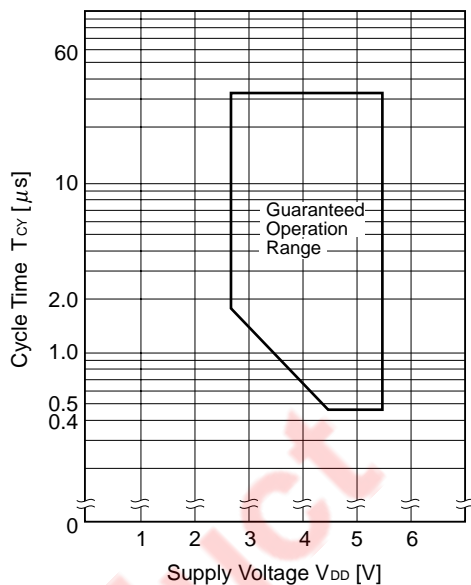


Remarks IECL10 : Bit 0 of clock switching select register 1 (IECL1)
 IECL20 : Bit 0 of clock switching select register 2 (IECL2)
 MCS : Bit 0 of oscillation mode select register (OSMS)

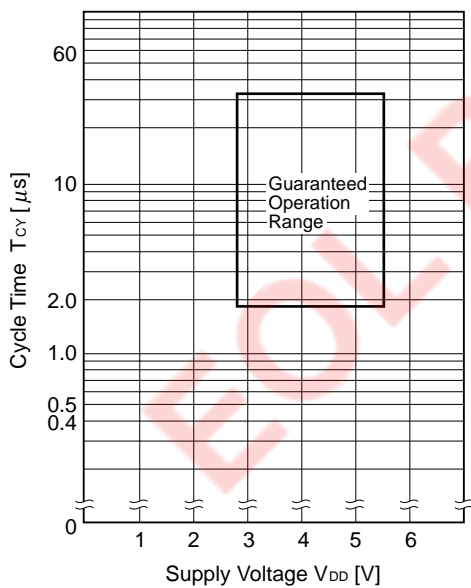
T_{CY} vs V_{DD} (Main System Clock (IECL10 = 0, IECL20 = 0, MCS = 1) Operation)



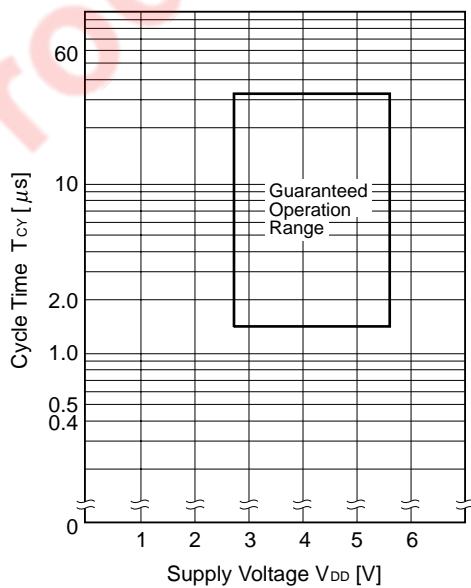
T_{CY} vs V_{DD} (Main System Clock (IECL10 = 1, IECL20 = 0, MCS = 1) Operation)



T_{CY} vs V_{DD} (Main System Clock (IECL10 = 0, IECL20 = 1, MCS = 1) Operation)



T_{CY} vs V_{DD} (Main System Clock (IECL10 = 1, IECL20 = 1, MCS = 1) Operation)



Remarks IECL10 : Bit 0 of clock switching select register 1 (IECL1)
 IECL20 : Bit 0 of clock switching select register 2 (IECL2)
 MCS : Bit 0 of oscillation mode select register (OSMS)

(2) Read/Write Operations

(a) When MCS = 1, PCC2 to PCC0 = 000B (T_A = -40 to +85°C, V_{DD} = 4.5 to 5.5 V)

Parameter	Symbol	Test Conditions	MIN.	MAX.	Unit
ASTB high-level width	t _{ASTH}		0.85t _{cy} - 50		ns
Address setup time	t _{ADS}		0.85t _{cy} - 50		ns
Address hold time	t _{ADH}		50		ns
Data input time from address	t _{ADD1}			(2.85 + 2n)t _{cy} - 80	ns
	t _{ADD2}			(4 + 2n)t _{cy} - 100	ns
Data input time from $\overline{RD}\downarrow$	t _{RDD1}			(2 + 2n)t _{cy} - 100	ns
	t _{RDD2}			(2.85 + 2n)t _{cy} - 100	ns
Read data hold time	t _{RDH}		0		ns
\overline{RD} low-level width	t _{RDL1}		(2 + 2n)t _{cy} - 60		ns
	t _{RDL2}		(2.85 + 2n)t _{cy} - 60		ns
$\overline{WAIT}\downarrow$ input time from $\overline{RD}\downarrow$	t _{RDWT1}			0.85t _{cy} - 50	ns
	t _{RDWT2}			2t _{cy} - 60	ns
$\overline{WAIT}\downarrow$ input time from $\overline{WR}\downarrow$	t _{WRWT}			2t _{cy} - 60	ns
\overline{WAIT} low-level width	t _{WTL}		(1.15 + 2n)t _{cy}	(2 + 2n)t _{cy}	ns
Write data setup time	t _{WDS}		(2.85 + 2n)t _{cy} - 100		ns
Write data hold time	t _{WDH}		20		ns
\overline{WR} low-level width	t _{WRL1}		(2.85 + 2n)t _{cy} - 60		ns
$\overline{RD}\downarrow$ delay time from ASTB \downarrow	t _{ASTRD}		25		ns
$\overline{WR}\downarrow$ delay time from ASTB \downarrow	t _{ASTWR}		0.85t _{cy} + 20		ns
ASTB \uparrow delay time from $\overline{RD}\uparrow$ in external fetch	t _{RDAST}		0.85t _{cy} - 10	1.15t _{cy} + 20	ns
Address hold time from $\overline{RD}\uparrow$ in external fetch	t _{RDADH}		0.85t _{cy} - 50	1.15t _{cy} + 50	ns
Write data output time from $\overline{RD}\uparrow$	t _{RDWD}		40		ns
Write data output time from $\overline{WR}\downarrow$	t _{WRWD}		0	50	ns
Address hold time from $\overline{WR}\uparrow$	t _{WRADH}		0.85t _{cy}	1.15t _{cy} + 40	ns
$\overline{RD}\uparrow$ delay time from $\overline{WAIT}\uparrow$	t _{WTRD}		1.15t _{cy} + 40	3.15t _{cy} + 40	ns
$\overline{WR}\uparrow$ delay time from $\overline{WAIT}\uparrow$	t _{WTWR}		1.15t _{cy} + 30	3.15t _{cy} + 30	ns

- Remarks**
1. MCS: Bit 0 of the oscillation mode select register (OSMS)
 2. PCC2 to PCC0: Bit 2 to 0 of the processor clock control register (PCC)
 3. t_{cy} = T_{cy}/4
 4. n indicates the number of waits.

(b) Except when MCS = 1, PCC2 to PCC0 = 000B (T_A = -40 to +85°C, V_{DD} = 2.7 to 5.5 V)

Parameter	Symbol	Test Conditions	MIN.	MAX.	Unit
ASTB high-level width	t _{ASTH}		t _{cy} - 80		ns
Address setup time	t _{ADS}		t _{cy} - 80		ns
Address hold time	t _{ADH}		0.4t _{cy} - 10		ns
Data input time from address	t _{ADD1}			(3 + 2n)t _{cy} - 160	ns
	t _{ADD2}			(4 + 2n)t _{cy} - 200	ns
Data input time from $\overline{RD}\downarrow$	t _{RDD1}			(1.4 + 2n)t _{cy} - 70	ns
	t _{RDD2}			(2.4 + 2n)t _{cy} - 70	ns
Read data hold time	t _{RDH}		0		ns
\overline{RD} low-level width	t _{RDL1}		(1.4 + 2n)t _{cy} - 20		ns
	t _{RDL2}		(2.4 + 2n)t _{cy} - 20		ns
$\overline{WAIT}\downarrow$ input time from $\overline{RD}\downarrow$	t _{RDWT1}			t _{cy} - 100	ns
	t _{RDWT2}			2t _{cy} - 100	ns
$\overline{WAIT}\downarrow$ input time from $\overline{WR}\downarrow$	t _{WRWT}			2t _{cy} - 100	ns
\overline{WAIT} low-level width	t _{WTL}		(1 + 2n)t _{cy}	(2 + 2n)t _{cy}	ns
Write data setup time	t _{WDS}		(2.4 + 2n)t _{cy} - 60		ns
Write data hold time	t _{WDH}		20		ns
\overline{WR} low-level width	t _{WRL1}		(2.4 + 2n)t _{cy} - 20		ns
$\overline{RD}\downarrow$ delay time from $\overline{ASTB}\downarrow$	t _{ASTRD}		0.4t _{cy} - 30		ns
$\overline{WR}\downarrow$ delay time from $\overline{ASTB}\downarrow$	t _{ASTWR}		1.4t _{cy} - 30		ns
ASTB \uparrow delay time from $\overline{RD}\uparrow$ in external fetch	t _{RDAST}		t _{cy} - 10	t _{cy} + 20	ns
Address hold time from $\overline{RD}\uparrow$ in external fetch	t _{RDADH}		t _{cy} - 50	t _{cy} + 50	ns
Write data output time from $\overline{RD}\uparrow$	t _{RDWD}		0.4t _{cy} - 20		ns
Write data output time from $\overline{WR}\downarrow$	t _{WRWD}		0	60	ns
Address hold time from $\overline{WR}\uparrow$	t _{WRADH}		t _{cy}	t _{cy} + 60	ns
$\overline{RD}\uparrow$ delay time from $\overline{WAIT}\uparrow$	t _{WTRD}		0.6t _{cy} + 180	2.6t _{cy} + 180	ns
$\overline{WR}\uparrow$ delay time from $\overline{WAIT}\uparrow$	t _{WTWR}		0.6t _{cy} + 120	2.6t _{cy} + 120	ns

- Remarks**
1. MCS: Bit 0 of the oscillation mode select register (OSMS)
 2. PCC2 to PCC0: Bit 2 to 0 of the processor clock control register (PCC)
 3. t_{cy} = T_{cy}/4
 4. n indicates the number of waits.

(3) Serial Interface (T_A = -40 to +85°C, V_{DD} = 2.7 to 5.5 V)

(a) Serial interface channel 0

(i) 3-wire serial I/O mode ($\overline{\text{SCK0}}$... internal clock output)

Parameter	Symbol	Test Conditions	MIN.	TYP.	MAX.	Unit
$\overline{\text{SCK0}}$ cycle time	t _{KCY1}	V _{DD} = 4.5 to 5.5 V	800			ns
			1600			ns
$\overline{\text{SCK0}}$ high-/low-level width	t _{KH1} ,	V _{DD} = 4.5 to 5.5 V	t _{KCY1} /2 - 50			ns
	t _{KL1}		t _{KCY1} /2 - 100			ns
SIO setup time (to $\overline{\text{SCK0}}\uparrow$)	t _{SIK1}	V _{DD} = 4.5 to 5.5 V	100			ns
			150			ns
SIO hold time (from $\overline{\text{SCK0}}\uparrow$)	t _{KS1}		400			ns
SO0 output delay time from $\overline{\text{SCK0}}\downarrow$	t _{KSO1}	C = 100 pF ^{Note}			300	ns

Note C is the SO0 output line load capacitance.

(ii) 3-wire serial I/O mode ($\overline{\text{SCK0}}$... external clock input)

Parameter	Symbol	Test Conditions	MIN.	TYP.	MAX.	Unit
$\overline{\text{SCK0}}$ cycle time	t _{KCY2}	V _{DD} = 4.5 to 5.5 V	800			ns
			1600			ns
$\overline{\text{SCK0}}$ high-/low-level width	t _{KH2} ,	V _{DD} = 4.5 to 5.5 V	400			ns
	t _{KL2}		800			ns
SIO setup time (to $\overline{\text{SCK0}}\uparrow$)	t _{SIK2}		100			ns
SIO hold time (from $\overline{\text{SCK0}}\uparrow$)	t _{KS2}		400			ns
SO0 output delay time from $\overline{\text{SCK0}}\downarrow$	t _{KSO2}	C = 100 pF ^{Note}			300	ns
$\overline{\text{SCK0}}$ rise/fall time	t _{R2} , t _{F2}	When using external device expansion function			160	ns
		When not using external device expansion function			1000	ns

Note C is the SO0 output line load capacitance.

(iii) SBI mode ($\overline{\text{SCK0}}$... internal clock output)

Parameter	Symbol	Test Conditions	MIN.	TYP.	MAX.	Unit
$\overline{\text{SCK0}}$ cycle time	t_{KCY3}	$V_{\text{DD}} = 4.5 \text{ to } 5.5 \text{ V}$	800			ns
			3200			ns
$\overline{\text{SCK0}}$ high-/low-level width	t_{KH3} ,	$V_{\text{DD}} = 4.5 \text{ to } 5.5 \text{ V}$	$t_{\text{KCY3}}/2 - 50$			ns
	t_{KL3}		$t_{\text{KCY3}}/2 - 150$			ns
SB0, SB1 setup time (to $\overline{\text{SCK0}}\uparrow$)	t_{SIK3}	$V_{\text{DD}} = 4.5 \text{ to } 5.5 \text{ V}$	100			ns
			300			ns
SB0, SB1 hold time (from $\overline{\text{SCK0}}\uparrow$)	t_{KSI3}		$t_{\text{KCY3}}/2$			ns
SB0, SB1 output delay time from $\overline{\text{SCK0}}\downarrow$	t_{KSO3}	R = 1 kΩ, C = 100 pF <small>Note</small>	$V_{\text{DD}} = 4.5 \text{ to } 5.5 \text{ V}$		250	ns
				0		1000
SB0, SB1↓ from $\overline{\text{SCK0}}\uparrow$	t_{KSB}		t_{KCY3}			ns
$\overline{\text{SCK0}}\downarrow$ from SB0, SB1↓	t_{SBK}		t_{KCY3}			ns
SB0, SB1 high-level width	t_{SBH}		t_{KCY3}			ns
SB0, SB1 low-level width	t_{SBL}		t_{KCY3}			ns

Note R and C are the SB0 and SB1 output line load resistance and load capacitance.

(iv) SBI mode ($\overline{\text{SCK0}}$... external clock input)

Parameter	Symbol	Test Conditions	MIN.	TYP.	MAX.	Unit
$\overline{\text{SCK0}}$ cycle time	t_{KCY4}	$V_{\text{DD}} = 4.5 \text{ to } 5.5 \text{ V}$	800			ns
			3200			ns
$\overline{\text{SCK0}}$ high-/low-level width	t_{KH4} ,	$V_{\text{DD}} = 4.5 \text{ to } 5.5 \text{ V}$	400			ns
	t_{KL4}		1600			ns
SB0, SB1 setup time (to $\overline{\text{SCK0}}\uparrow$)	t_{SIK4}	$V_{\text{DD}} = 4.5 \text{ to } 5.5 \text{ V}$	100			ns
			300			ns
SB0, SB1 hold time (from $\overline{\text{SCK0}}\uparrow$)	t_{KSI4}		$t_{\text{KCY4}}/2$			ns
SB0, SB1 output delay time from $\overline{\text{SCK0}}\downarrow$	t_{KSO4}	R = 1 kΩ, C = 100 pF <small>Note</small>	$V_{\text{DD}} = 4.5 \text{ to } 5.5 \text{ V}$		300	ns
				0		1000
SB0, SB1↓ from $\overline{\text{SCK0}}\uparrow$	t_{KSB}		t_{KCY4}			ns
$\overline{\text{SCK0}}\downarrow$ from SB0, SB1↓	t_{SBK}		t_{KCY4}			ns
SB0, SB1 high-level width	t_{SBH}		t_{KCY4}			ns
SB0, SB1 low-level width	t_{SBL}		t_{KCY4}			ns
$\overline{\text{SCK0}}$ rise/fall time	t_{R4} , t_{F4}	When using external device expansion function			160	ns
		When not using external device expansion function			1000	ns

Note R and C are the SB0 and SB1 output line load resistance and load capacitance.

(v) 2-wire serial I/O mode ($\overline{\text{SCK0}}$... internal clock output)

Parameter	Symbol	Test Conditions	MIN.	TYP.	MAX.	Unit	
$\overline{\text{SCK0}}$ cycle time	t_{KCY5}	R = 1 kΩ, C = 100 pF ^{Note}	V _{DD} = 4.5 to 5.5 V	1600			ns
				3200			ns
$\overline{\text{SCK0}}$ high-level width	t_{KH5}		$t_{\text{KCY5}}/2 - 160$			ns	
$\overline{\text{SCK0}}$ low-level width	t_{KL5}		$t_{\text{KCY5}}/2 - 50$			ns	
SB0, SB1 setup time (to $\overline{\text{SCK0}}\uparrow$)	t_{SIK5}	V _{DD} = 4.5 to 5.5 V	300			ns	
			350			ns	
SB0, SB1 hold time (from $\overline{\text{SCK0}}\uparrow$)	t_{KSI5}		600			ns	
SB0, SB1 output delay time from $\overline{\text{SCK0}}\downarrow$	t_{KSO5}		0		300	ns	

Note R and C are the $\overline{\text{SCK0}}$, SB0 and SB1 output line load resistance and load capacitance.

(vi) 2-wire serial I/O mode ($\overline{\text{SCK0}}$... external clock input)

Parameter	Symbol	Test Conditions	MIN.	TYP.	MAX.	Unit
$\overline{\text{SCK0}}$ cycle time	t_{KCY6}	V _{DD} = 4.5 to 5.5 V	1600			ns
			3200			ns
$\overline{\text{SCK0}}$ high-level width	t_{KH6}		650			ns
$\overline{\text{SCK0}}$ low-level width	t_{KL6}		800			ns
SB0, SB1 setup time (to $\overline{\text{SCK0}}\uparrow$)	t_{SIK6}		100			ns
SB0, SB1 hold time (from $\overline{\text{SCK0}}\uparrow$)	t_{KSI6}		$t_{\text{KCY6}}/2$			ns
SB0, SB1 output delay time from $\overline{\text{SCK0}}\downarrow$	t_{KSO6}	R = 1 kΩ, C = 100 pF ^{Note}	0		300	ns
$\overline{\text{SCK0}}$ rise/fall time	$t_{\text{R6}},$ t_{F6}	When using external device expansion function			160	ns
		When not using external device expansion function			1000	ns

Note R and C are the $\overline{\text{SCK0}}$, SB0 and SB1 output line load resistance and load capacitance.

(b) Serial interface channel 1

(i) 3-wire serial I/O mode ($\overline{\text{SCK1}}$... internal clock output)

Parameter	Symbol	Test Conditions	MIN.	TYP.	MAX.	Unit
$\overline{\text{SCK1}}$ cycle time	t_{KCY7}	$V_{\text{DD}} = 4.5 \text{ to } 5.5 \text{ V}$	800			ns
			1600			ns
$\overline{\text{SCK1}}$ high-/low-level width	t_{KH7}	$V_{\text{DD}} = 4.5 \text{ to } 5.5 \text{ V}$	$t_{\text{KCY7}}/2 - 50$			ns
	t_{KL7}		$t_{\text{KCY7}}/2 - 100$			ns
SI1 setup time (to $\overline{\text{SCK1}}\uparrow$)	t_{SIK7}	$V_{\text{DD}} = 4.5 \text{ to } 5.5 \text{ V}$	100			ns
			150			ns
SI1 hold time (from $\overline{\text{SCK1}}\uparrow$)	t_{KSI7}		400			ns
SO1 output delay time from $\overline{\text{SCK1}}\downarrow$	t_{KS07}	$C = 100 \text{ pF}$ ^{Note}			300	ns

Note C is the SO1 output line load capacitance.

(ii) 3-wire serial I/O mode ($\overline{\text{SCK1}}$... external clock input)

Parameter	Symbol	Test Conditions	MIN.	TYP.	MAX.	Unit
$\overline{\text{SCK1}}$ cycle time	t_{KCY8}	$V_{\text{DD}} = 4.5 \text{ to } 5.5 \text{ V}$	800			ns
			1600			ns
$\overline{\text{SCK1}}$ high-/low-level width	t_{KH8}	$V_{\text{DD}} = 4.5 \text{ to } 5.5 \text{ V}$	400			ns
	t_{KL8}		800			ns
SI1 setup time (to $\overline{\text{SCK1}}\uparrow$)	t_{SIK8}		100			ns
SI1 hold time (from $\overline{\text{SCK1}}\uparrow$)	t_{KSI8}		400			ns
SO1 output delay time from $\overline{\text{SCK1}}\downarrow$	t_{KS08}	$C = 100 \text{ pF}$ ^{Note}			300	ns
$\overline{\text{SCK1}}$ rise/fall time	t_{R8} , t_{F8}	When using external device expansion function			160	ns
		When not using external device expansion function			1000	ns

Note C is the SO1 output line load capacitance.

(iii) Automatic transmission/reception function 3-wire serial I/O mode ($\overline{\text{SCK1}}$... internal clock output)

Parameter	Symbol	Test Conditions	MIN.	TYP.	MAX.	Unit
$\overline{\text{SCK1}}$ cycle time	t_{KCY9}	$V_{\text{DD}} = 4.5 \text{ to } 5.5 \text{ V}$	800			ns
			1600			ns
$\overline{\text{SCK1}}$ high-/low-level width	t_{KH9}	$V_{\text{DD}} = 4.5 \text{ to } 5.5 \text{ V}$	$t_{\text{KCY9}}/2 - 50$			ns
	t_{KL9}		$t_{\text{KCY9}}/2 - 100$			ns
SI1 setup time (to $\overline{\text{SCK1}}\uparrow$)	t_{SIK9}	$V_{\text{DD}} = 4.5 \text{ to } 5.5 \text{ V}$	100			ns
			150			ns
SI1 hold time (from $\overline{\text{SCK1}}\uparrow$)	t_{KSI9}		400			ns
SO1 output delay time from $\overline{\text{SCK1}}\downarrow$	t_{KSO9}	$C = 100 \text{ pF}$ ^{Note} $V_{\text{DD}} = 4.5 \text{ to } 5.5 \text{ V}$			300	ns
STB \uparrow from $\overline{\text{SCK1}}\uparrow$	t_{SBD}		$t_{\text{KCY9}}/2 - 100$		$t_{\text{KCY9}}/2 + 100$	ns
Strobe signal high-level width	t_{SBW}		$t_{\text{KCY9}} - 30$		$t_{\text{KCY9}} + 30$	ns
Busy signal setup time (to busy signal detection timing)	t_{BYS}		100			ns
Busy signal hold time (from busy signal detection timing)	t_{BYH}	$V_{\text{DD}} = 4.5 \text{ to } 5.5 \text{ V}$	100			ns
			150			ns
$\overline{\text{SCK1}}\downarrow$ from busy inactivation	t_{SPS}				$2t_{\text{KCY9}}$	ns

Note C is the SO1 output line load capacitance.

(iv) Automatic transmission/reception function 3-wire serial I/O mode ($\overline{\text{SCK1}}$... external clock input)

Parameter	Symbol	Test Conditions	MIN.	TYP.	MAX.	Unit
$\overline{\text{SCK1}}$ cycle time	t_{KCY10}	$V_{\text{DD}} = 4.5 \text{ to } 5.5 \text{ V}$	800			ns
			1600			ns
$\overline{\text{SCK1}}$ high-/low-level width	t_{KH10}	$V_{\text{DD}} = 4.5 \text{ to } 5.5 \text{ V}$	400			ns
	t_{KL10}		800			ns
SI1 setup time (to $\overline{\text{SCK1}}\uparrow$)	t_{SIK10}		100			ns
SI1 hold time (from $\overline{\text{SCK1}}\uparrow$)	t_{KSI10}		400			ns
SO1 output delay time from $\overline{\text{SCK1}}\downarrow$	t_{KSO10}	$C = 100 \text{ pF}$ ^{Note}			300	ns
$\overline{\text{SCK1}}$ rise/fall time	$t_{\text{R10}},$ t_{F10}	When using external device expansion function			160	ns
		When not using external device expansion function			1000	ns

Note C is the SO1 output line load capacitance.

(c) Serial interface channel 2

(i) 3-wire serial I/O mode ($\overline{\text{SCK2}}$... internal clock output)

Parameter	Symbol	Test Conditions	MIN.	TYP.	MAX.	Unit
$\overline{\text{SCK2}}$ cycle time	t_{KCY11}	$V_{\text{DD}} = 4.5 \text{ to } 5.5 \text{ V}$	800			ns
			1600			ns
$\overline{\text{SCK2}}$ high-/low-level width	t_{KH11}	$V_{\text{DD}} = 4.5 \text{ to } 5.5 \text{ V}$	$t_{\text{KCY11}}/2 - 50$			ns
	t_{KL11}		$t_{\text{KCY11}}/2 - 100$			ns
SI2 setup time (to $\overline{\text{SCK2}}\uparrow$)	t_{SIK11}	$V_{\text{DD}} = 4.5 \text{ to } 5.5 \text{ V}$	100			ns
			150			ns
SI2 hold time (from $\overline{\text{SCK2}}\uparrow$)	t_{KSI11}		400			ns
SO2 output delay time from $\overline{\text{SCK2}}\downarrow$	t_{KSO11}	$C = 100 \text{ pF}$ ^{Note}			300	ns

Note C is the SO2 output line load capacitance.

(ii) 3-wire serial I/O mode ($\overline{\text{SCK2}}$... external clock input)

Parameter	Symbol	Test Conditions	MIN.	TYP.	MAX.	Unit
$\overline{\text{SCK2}}$ cycle time	t_{KCY12}	$V_{\text{DD}} = 4.5 \text{ to } 5.5 \text{ V}$	800			ns
			1600			ns
$\overline{\text{SCK2}}$ high-/low-level width	t_{KH12}	$V_{\text{DD}} = 4.5 \text{ to } 5.5 \text{ V}$	400			ns
	t_{KL12}		800			ns
SI2 setup time (to $\overline{\text{SCK2}}\uparrow$)	t_{SIK12}		100			ns
SI2 hold time (from $\overline{\text{SCK2}}\uparrow$)	t_{KSI12}		400			ns
SO2 output delay time from $\overline{\text{SCK2}}\downarrow$	t_{KSO12}	$C = 100 \text{ pF}$ ^{Note}			300	ns
$\overline{\text{SCK2}}$ rise/fall time	t_{R12} , t_{F12}	When using external device expansion function			160	ns
		When not using external device expansion function			1000	ns

Note C is the SO2 output line load capacitance.

(iii) UART mode (Dedicated baud rate generator output)

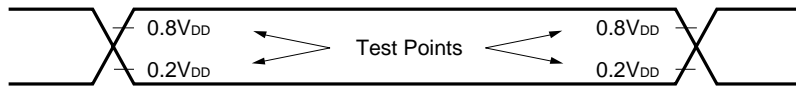
Parameter	Symbol	Test Conditions	MIN.	TYP.	MAX.	Unit
Transfer rate		$V_{DD} = 4.5 \text{ to } 5.5 \text{ V}$			78125	bps
					39063	bps

(iv) UART mode (External clock input)

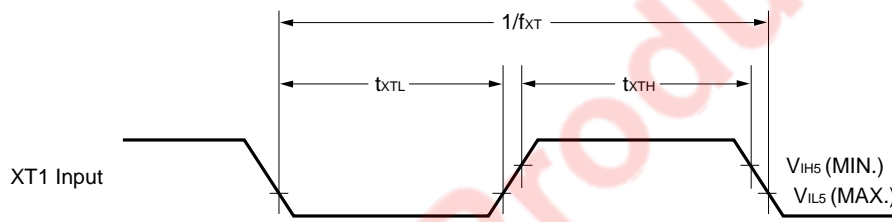
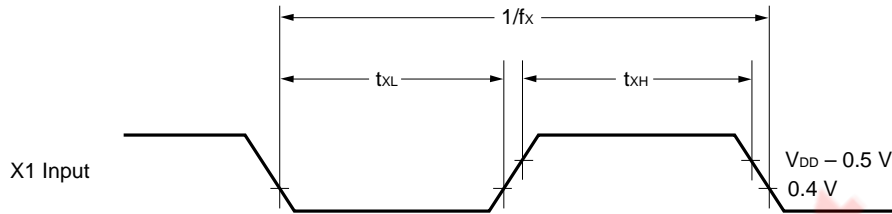
Parameter	Symbol	Test Conditions	MIN.	TYP.	MAX.	Unit
ASCK cycle time	t_{KCY13}	$V_{DD} = 4.5 \text{ to } 5.5 \text{ V}$	800			ns
			1600			ns
ASCK high-/low-level width	$t_{KH13},$ t_{KL13}	$V_{DD} = 4.5 \text{ to } 5.5 \text{ V}$	400			ns
			800			ns
Transfer rate		$V_{DD} = 4.5 \text{ to } 5.5 \text{ V}$			39063	bps
					19531	bps
SCK rise/fall time	$t_{R13},$ t_{F13}	When using external device expansion function			160	ns
		When not using external device expansion function			1000	ns

EOL Product

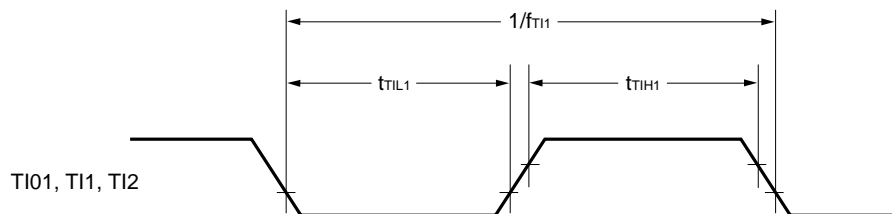
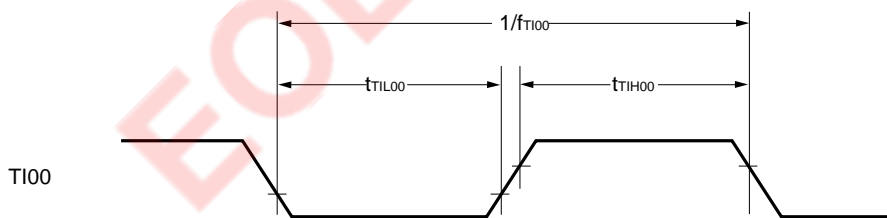
AC Timing Test Point (Excluding X1, XT1 Input)



Clock Timing

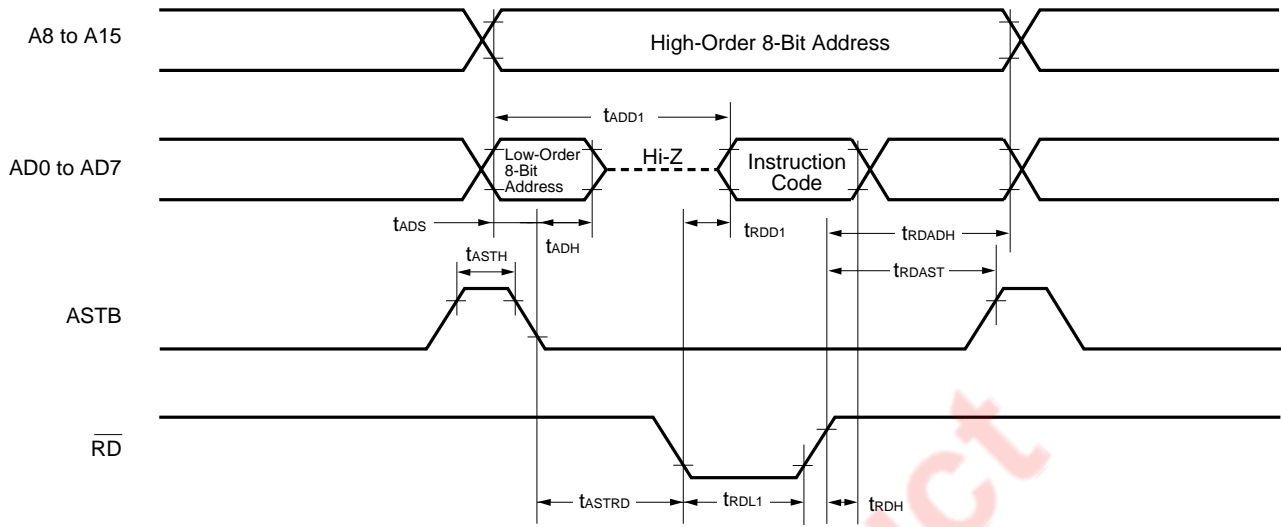


TI Timing

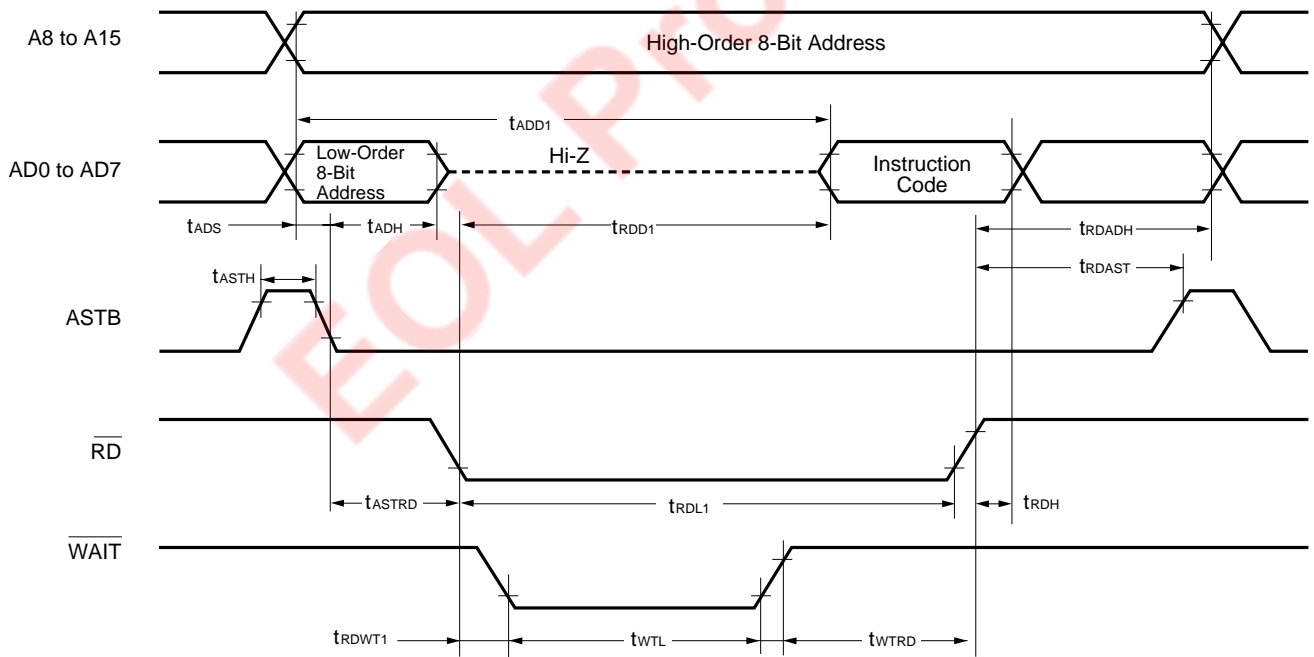


Read/Write Operations

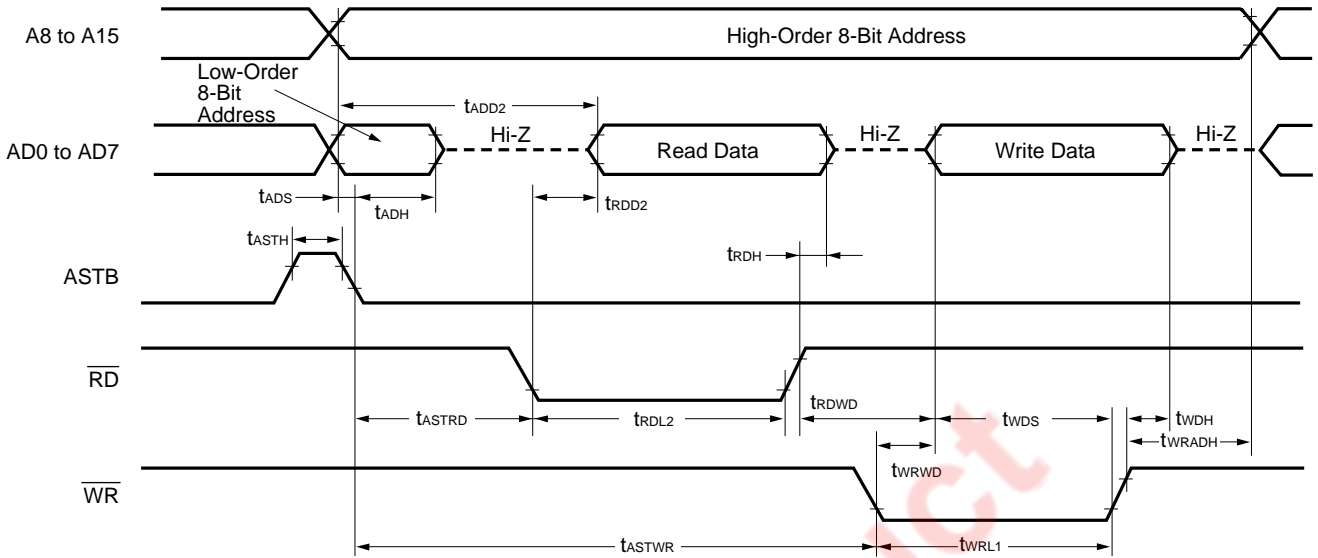
External fetch (no wait):



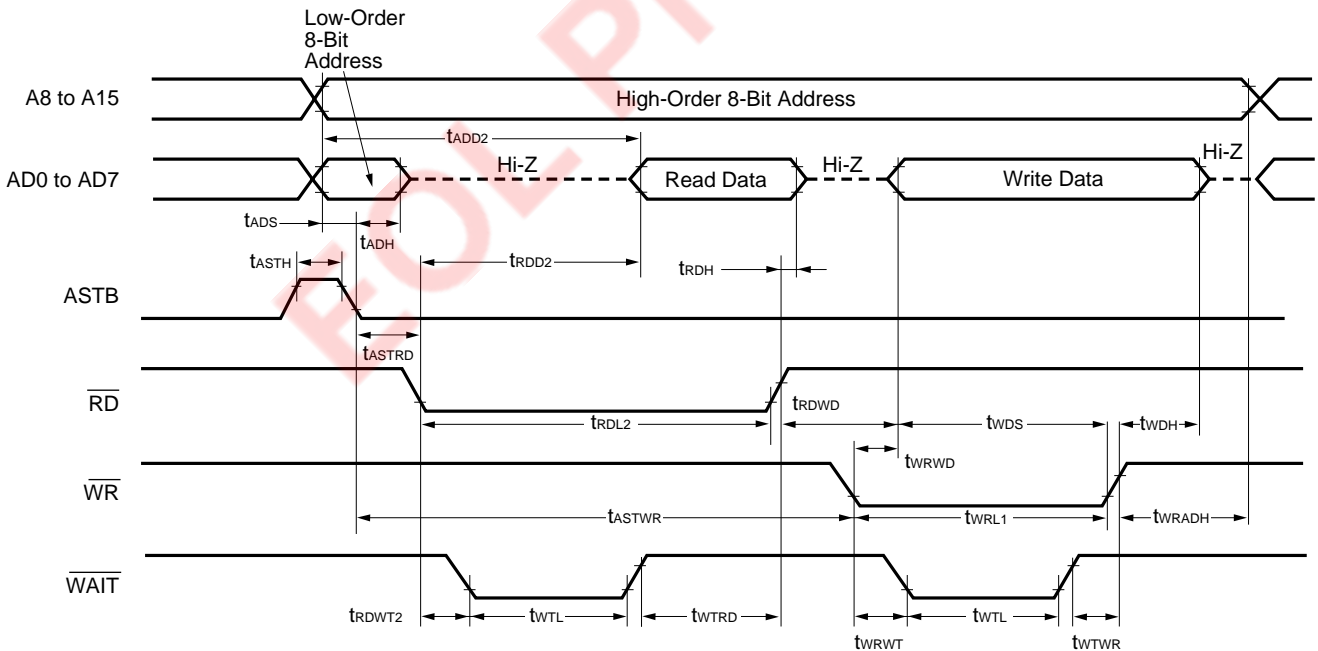
External fetch (wait insertion):



External data access (no wait):

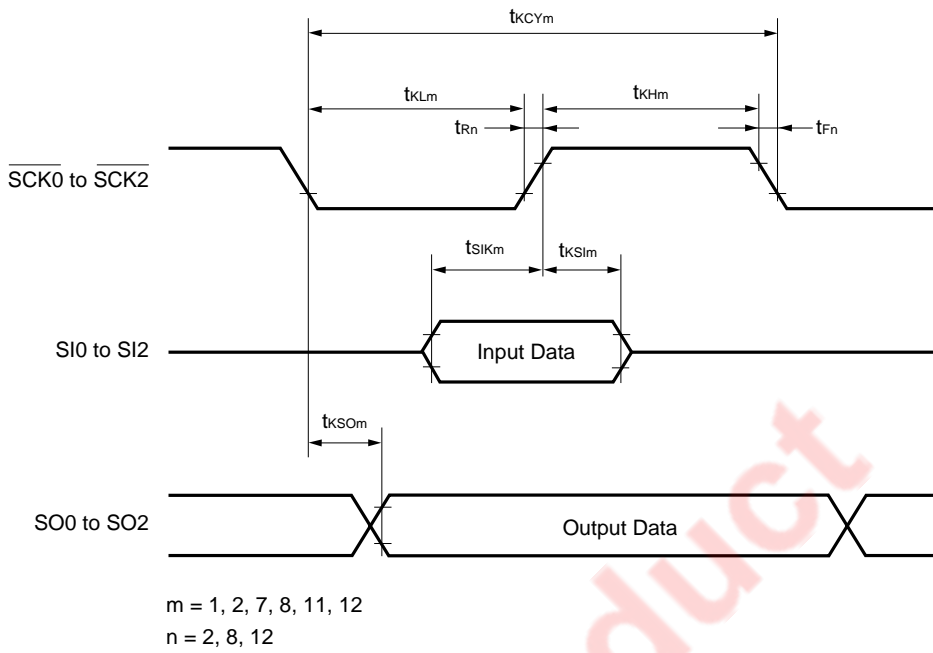


External data access (wait insertion):

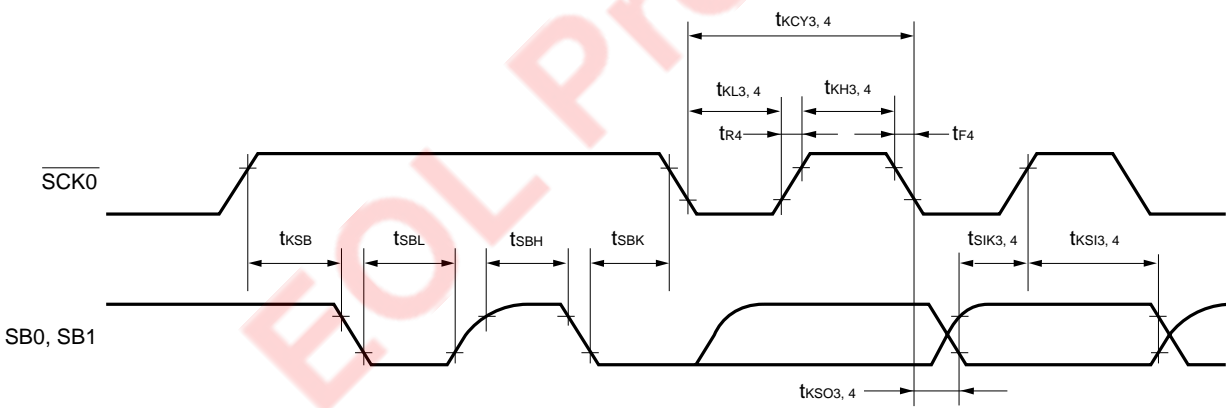


Serial Transfer Timing

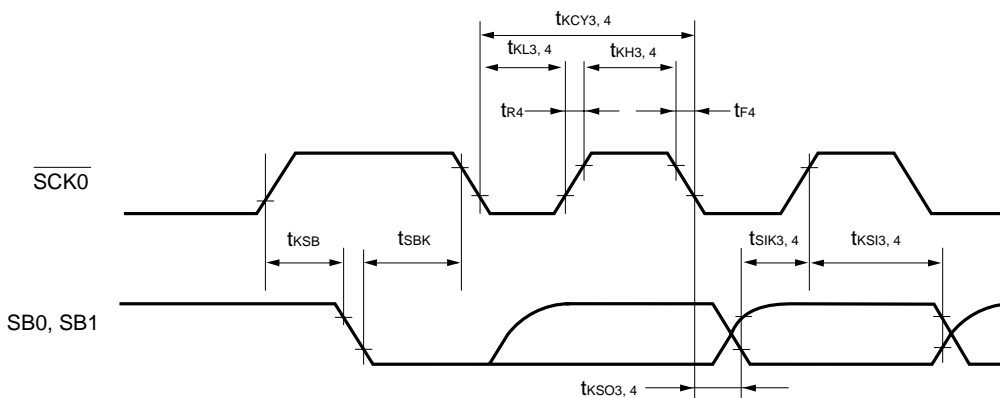
3-wire serial I/O mode:



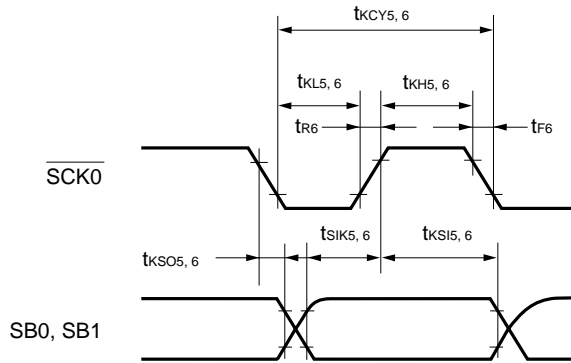
SBI mode (bus release signal transfer):



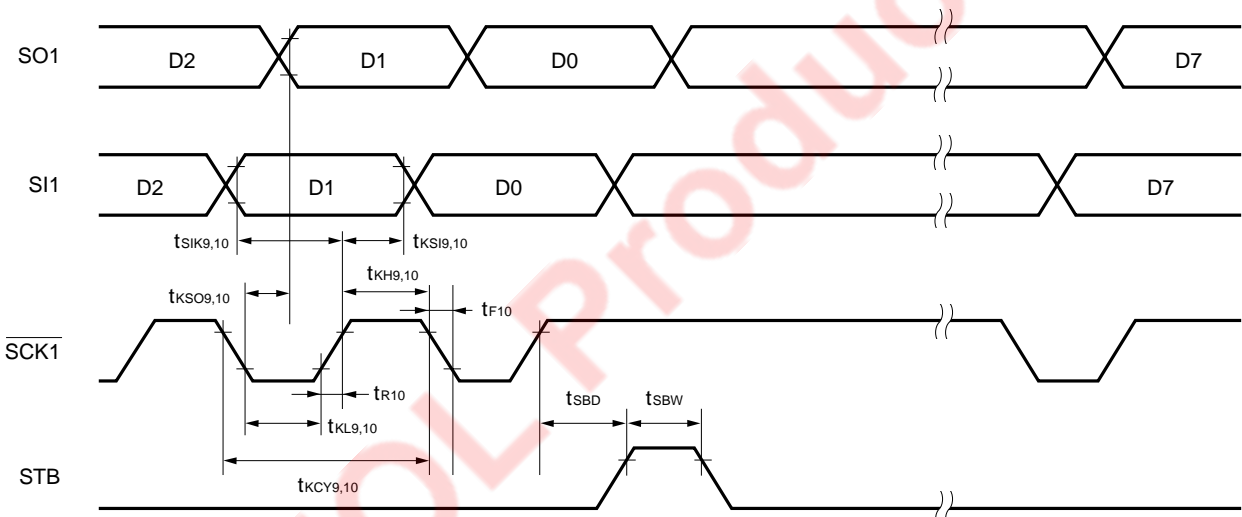
SBI mode (command signal transfer):



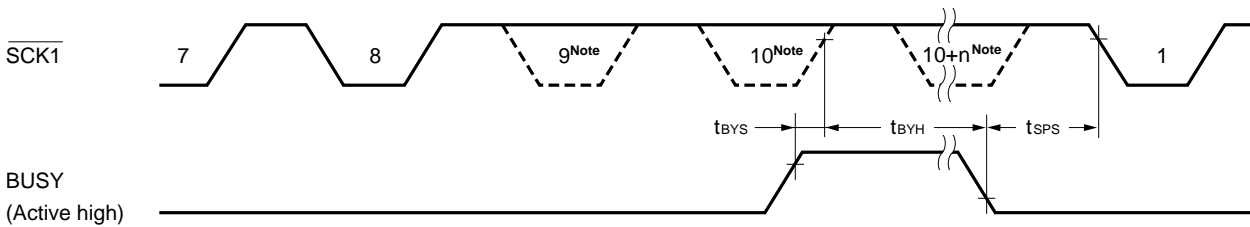
2-wire serial I/O mode:



Automatic transmission/reception function 3-wire serial I/O mode:

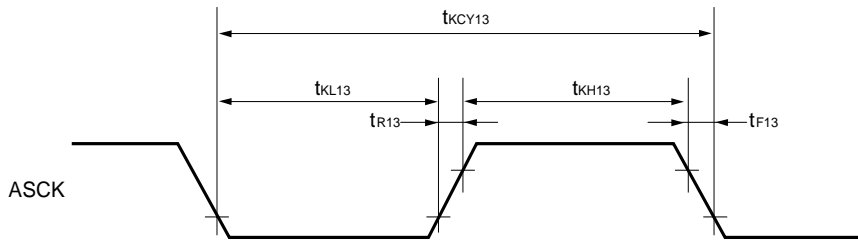


Automatic transmission/reception function 3-wire serial I/O mode (busy processing):



Note The signal is not actually low here, but is represented this way to show the timing.

UART mode (external Clock Input):



EOL Product

A/D Converter Characteristics (T_A = -40 to +85°C, AV_{DD} = V_{DD} = 2.7 to 5.5 V, AV_{SS} = V_{SS} = 0 V)

Parameter	Symbol	Test Conditions		MIN.	TYP.	MAX.	Unit
Resolution				8	8	8	bit
Total error ^{Note}		IEAD = 00H				1.8	%
		IEAD = 01H	V _{DD} = 4.5 to 5.5 V		2.2	3.4	%
						2.6	3.8
Conversion time	t _{CONV}			19.1		200	μs
Sampling time	t _{SAMP}			12/f _{xx}			μs
Analog input voltage	V _{IAN}			AV _{SS}		AV _{REF0}	V
Reference voltage	AV _{REF0}			2.7		AV _{DD}	V
AV _{REF0} -AV _{SS} resistance	RA _{REF0}			4	14		kΩ

Note Excluding quantization error (±1/2 LSB). Shown as a percentage of the full scale value.

Remarks f_{xx} : Main system clock frequency
 IEAD : A/D current cut select register

D/A Converter Characteristics (T_A = -40 to +85°C, V_{DD} = 2.7 to 5.5 V, AV_{SS} = V_{SS} = 0 V)

Parameter	Symbol	Test Conditions		MIN.	TYP.	MAX.	Unit
Resolution						8	bit
Total error		R = 2 MΩ ^{Note 1}				1.2	%
		R = 4 MΩ ^{Note 1}				0.8	%
		R = 10 MΩ ^{Note 1}				0.6	%
Settling time		C = 30 pF ^{Note 1}	AV _{REF} = 4.5 to 5.5 V			10	μs
						15	μs
Output resistance	R _{O0}	DACS0 = 55H			10		kΩ
	R _{O1}	DACS1 = 55H			10		kΩ
Analog reference voltage	AV _{REF1}			2.7		V _{DD}	V
AV _{REF1} current	AI _{REF1}	Note 2				1.5	mA

Notes 1. R and C are the D/A converter output pin load resistance and load capacitance.
 2. Value for one D/A converter channel.

Remarks DACS0, DACS1 : D/A conversion value setting registers 0, 1

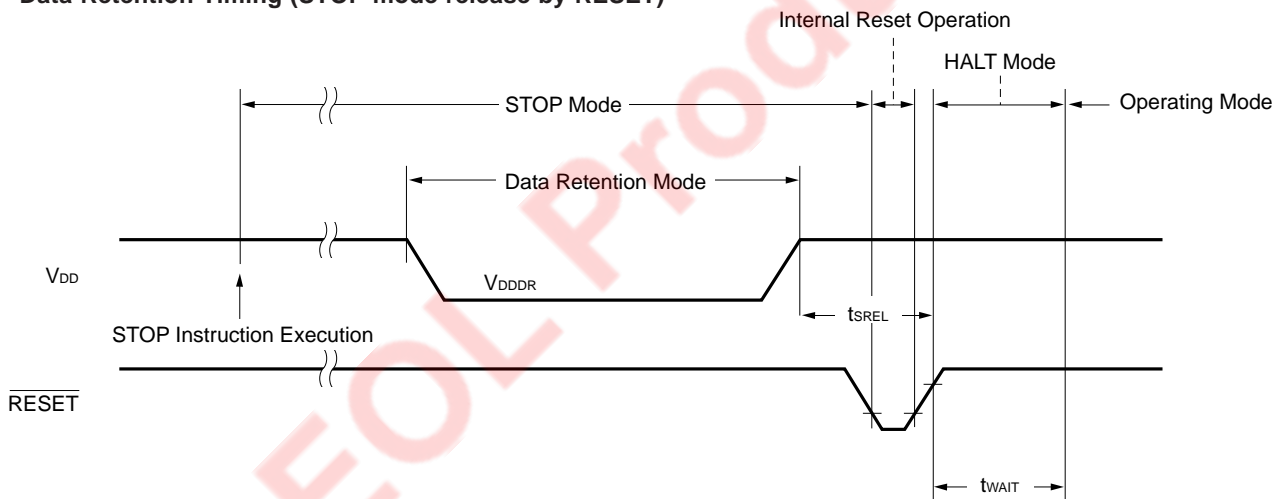
Data Memory STOP Mode Low Power Supply Voltage Data Retention Characteristics (T_A = -40 to +85°C)

Parameter	Symbol	Test Conditions	MIN.	TYP.	MAX.	Unit
Data retention supply voltage	V _{DDDR}		2.0		5.5	V
Data retention supply current	I _{DDDR}	V _{DDDR} = 2.0 V Subsystem clock stopped, feedback resistor disconnected		0.1	10	μA
Release signal setup time	t _{SREL}		0			μs
Oscillation stabilization wait time	t _{WAIT}	Release by $\overline{\text{RESET}}$		2 ¹⁷ /f _x		ms
		Release by interrupt request		Note		ms

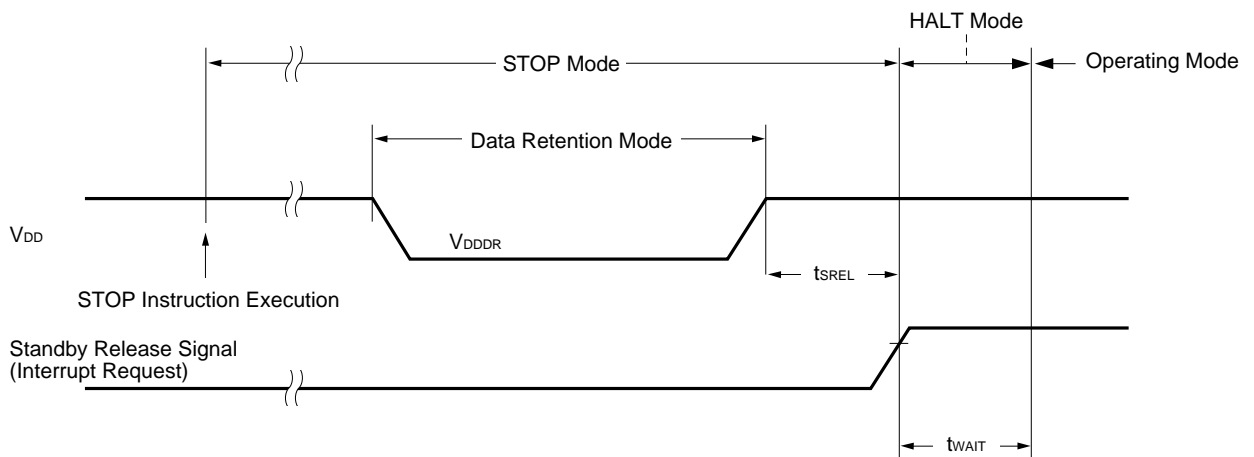
Note 2¹²/f_{xx}, or 2¹⁴/f_{xx} through 2¹⁷/f_{xx} can be selected by bits 0 to 2 (OSTS0 to OSTS2) of the oscillation stabilization time select register (OSTS).

Remark f_{xx} : Main system clock frequency
f_x : Main system clock oscillation frequency

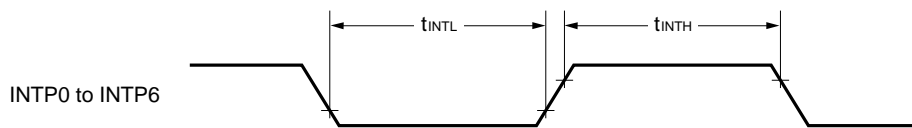
Data Retention Timing (STOP mode release by $\overline{\text{RESET}}$)



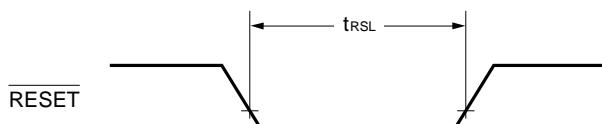
Data Retention Timing (STOP mode release by using standby release signal or interrupt request signal)



Interrupt Request Input Timing



RESET Input Timing



IEBus Controller Characteristics ($T_A = -40$ to $+85^\circ\text{C}$, $V_{DD} = 5\text{ V} \pm 10\%$)

Parameter	Symbol	Conditions	MIN.	TYP.	MAX.	Unit
IEBus controller system clock frequency	fs	When using mode 0 or 1 ^{Note 1}	5.91	6.00	6.09	MHz
			6.20	6.29	6.39	MHz
		When using mode 2	5.97	6.00	6.03	MHz
			6.26	6.29	6.32	MHz
Driver delay time ($\overline{\text{TX}}$ output → bus line)		C = 50 pF ^{Note 2}	fs = 6.00 MHz		1.6	μs
			fs = 6.29 MHz		1.5	μs
Receiver delay time (Bus line → $\overline{\text{RX}}$ input)		fs = 6.00 MHz			0.75	μs
		fs = 6.29 MHz			0.7	μs
Propagation delay time on the bus		fs = 6.00 MHz			0.9	μs
		fs = 6.29 MHz			0.85	μs

Notes 1. For the values in the second row, the IEBus standards are not satisfied.

2. C is the $\overline{\text{TX}}$ output line load capacitance.

Remark fs: IEBus controller system clock frequency.

PROM PROGRAMMING CHARACTERISTICS

DC Characteristics

(1) PROM Write Mode ($T_A = 25 \pm 5^\circ\text{C}$, $V_{DD} = 6.5 \pm 0.25\text{ V}$, $V_{PP} = 12.5 \pm 0.3\text{ V}$)

Parameter	Symbol	Symbol ^{Note}	Test Conditions	MIN.	TYP.	MAX.	Unit
Input voltage high	V_{IH}	V_{IH}		$0.7V_{DD}$		V_{DD}	V
Input voltage low	V_{IL}	V_{IL}		0		$0.3V_{DD}$	V
Output voltage high	V_{OH}	V_{OH}	$I_{OH} = -1\text{ mA}$	$V_{DD} - 1.0$			V
Output voltage low	V_{OL}	V_{OL}	$I_{OL} = 1.6\text{ mA}$			0.4	V
Input leakage current	I_{LI}	I_{LI}	$0 \leq V_{IN} \leq V_{DD}$	-10		+10	μA
V_{PP} supply voltage	V_{PP}	V_{PP}		12.2	12.5	12.8	V
V_{DD} supply voltage	V_{DD}	V_{CC}		6.25	6.5	6.75	V
V_{PP} supply current	I_{PP}	I_{PP}	$\overline{PGM} = V_{IL}$			50	mA
V_{DD} supply current	I_{DD}	I_{CC}				50	mA

(2) PROM Read Mode ($T_A = 25 \pm 5^\circ\text{C}$, $V_{DD} = 5.0 \pm 0.5\text{ V}$, $V_{PP} = V_{DD} \pm 0.6\text{ V}$)

Parameter	Symbol	Symbol ^{Note}	Test Conditions	MIN.	TYP.	MAX.	Unit
Input voltage high	V_{IH}	V_{IH}		$0.7V_{DD}$		V_{DD}	V
Input voltage low	V_{IL}	V_{IL}		0		$0.3V_{DD}$	V
Output voltage high	V_{OH1}	V_{OH1}	$I_{OH} = -1\text{ mA}$	$V_{DD} - 1.0$			V
	V_{OH2}	V_{OH2}	$I_{OH} = -100\ \mu\text{A}$	$V_{DD} - 0.5$			V
Output voltage low	V_{OL}	V_{OL}	$I_{OL} = 1.6\text{ mA}$			0.4	V
Input leakage current	I_{LI}	I_{LI}	$0 \leq V_{IN} \leq V_{DD}$	-10		+10	μA
Output leakage current	I_{LO}	I_{LO}	$0 \leq V_{OUT} \leq V_{DD}$, $\overline{OE} = V_{IH}$	-10		+10	μA
V_{PP} supply voltage	V_{PP}	V_{PP}		$V_{DD} - 0.6$	V_{DD}	$V_{DD} + 0.6$	V
V_{DD} supply voltage	V_{DD}	V_{CC}		4.5	5.0	5.5	V
V_{PP} supply current	I_{PP}	I_{PP}	$V_{PP} = V_{DD}$			100	μA
V_{DD} supply current	I_{DD}	I_{CCA1}	$\overline{CE} = V_{IL}$, $V_{IN} = V_{IH}$			50	mA

Note Corresponding μPD27C1001A symbol.

AC Characteristics

(1) PROM Write Mode

(a) Page program mode ($T_A = 25 \pm 5^\circ\text{C}$, $V_{DD} = 6.5 \pm 0.25\text{ V}$, $V_{PP} = 12.5 \pm 0.3\text{ V}$)

Parameter	Symbol	Symbol ^{Note}	Test Conditions	MIN.	TYP.	MAX.	Unit
Address setup time (to $\overline{\text{OE}}\downarrow$)	t _{AS}	t _{AS}		2			μs
$\overline{\text{OE}}$ setup time	t _{OES}	t _{OES}		2			μs
CE setup time (to $\overline{\text{OE}}\downarrow$)	t _{CES}	t _{CES}		2			μs
Input data setup time (to $\overline{\text{OE}}\downarrow$)	t _{DS}	t _{DS}		2			μs
Address hold time (from $\overline{\text{OE}}\uparrow$)	t _{AH}	t _{AH}		2			μs
	t _{AHL}	t _{AHL}		2			μs
	t _{AHV}	t _{AHV}		0			μs
Input data hold time (from $\overline{\text{OE}}\uparrow$)	t _{DH}	t _{DH}		2			μs
Data output float delay time from $\overline{\text{OE}}\uparrow$	t _{DF}	t _{DF}		0		250	ns
V _{PP} setup time (to $\overline{\text{OE}}\downarrow$)	t _{VPS}	t _{VPS}		1.0			ms
V _{DD} setup time (to $\overline{\text{OE}}\downarrow$)	t _{VDS}	t _{VCS}		1.0			ms
Program pulse width	t _{PW}	t _{PW}		0.095		0.105	ms
Valid data delay time from $\overline{\text{OE}}\downarrow$	t _{OE}	t _{OE}				1	μs
$\overline{\text{OE}}$ pulse width during data latching	t _{LW}	t _{LW}		1			μs
$\overline{\text{PGM}}$ setup time	t _{PGMS}	t _{PGMS}		2			μs
$\overline{\text{CE}}$ hold time	t _{CEH}	t _{CEH}		2			μs
$\overline{\text{OE}}$ hold time	t _{OEH}	t _{OEH}		2			μs

(b) Byte program mode ($T_A = 25 \pm 5^\circ\text{C}$, $V_{DD} = 6.5 \pm 0.25\text{ V}$, $V_{PP} = 12.5 \pm 0.3\text{ V}$)

Parameter	Symbol	Symbol ^{Note}	Test Conditions	MIN.	TYP.	MAX.	Unit
Address setup time (to $\overline{\text{PGM}}\downarrow$)	t _{AS}	t _{AS}		2			μs
$\overline{\text{OE}}$ setup time	t _{OES}	t _{OES}		2			μs
$\overline{\text{CE}}$ setup time (to $\overline{\text{PGM}}\downarrow$)	t _{CES}	t _{CES}		2			μs
Input data setup time (to $\overline{\text{PGM}}\downarrow$)	t _{DS}	t _{DS}		2			μs
Address hold time (from $\overline{\text{OE}}\uparrow$)	t _{AH}	t _{AH}		2			μs
Input data hold time (from $\overline{\text{PGM}}\uparrow$)	t _{DH}	t _{DH}		2			μs
Data output float delay time from $\overline{\text{OE}}\uparrow$	t _{DF}	t _{DF}		0		250	ns
V _{PP} setup time (to $\overline{\text{PGM}}\downarrow$)	t _{VPS}	t _{VPS}		1.0			ms
V _{DD} setup time (to $\overline{\text{PGM}}\downarrow$)	t _{VDS}	t _{VCS}		1.0			ms
Program pulse width	t _{PW}	t _{PW}		0.095		0.105	ms
Valid data delay time from $\overline{\text{OE}}\downarrow$	t _{OE}	t _{OE}				1	μs
$\overline{\text{OE}}$ hold time	t _{OEH}	—		2			μs

Note Corresponding μPD27C1001A symbol

(2) PROM Read Mode ($T_A = 25 \pm 5^\circ\text{C}$, $V_{DD} = 5.0 \pm 0.5\text{ V}$, $V_{PP} = V_{DD} \pm 0.6\text{ V}$)

Parameter	Symbol	Symbol ^{Note}	Test Conditions	MIN.	TYP.	MAX.	Unit
Data output delay time from address	t_{ACC}	t_{ACC}	$\overline{CE} = \overline{OE} = V_{IL}$			800	ns
Data output delay time from $\overline{CE}\downarrow$	t_{CE}	t_{CE}	$\overline{OE} = V_{IL}$			800	ns
Data output delay time from $\overline{OE}\downarrow$	t_{OE}	t_{OE}	$\overline{CE} = V_{IL}$			200	ns
Data output float delay time from $\overline{OE}\uparrow$	t_{DF}	t_{DF}	$\overline{CE} = V_{IL}$	0		60	ns
Data hold time from address	t_{OH}	t_{OH}	$\overline{CE} = \overline{OE} = V_{IL}$	0			ns

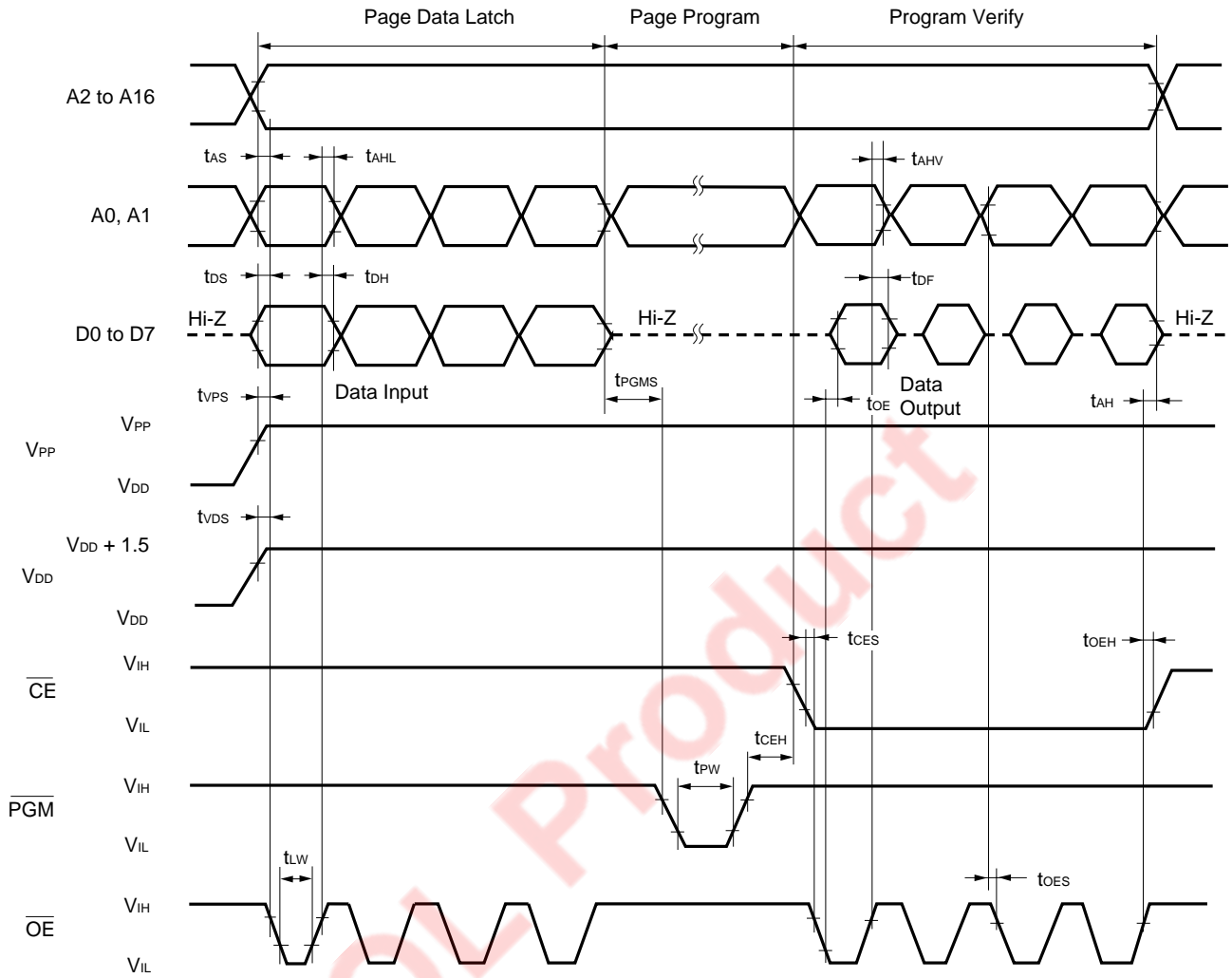
Note Corresponding μPD27C1001A symbol

(3) PROM Programming Mode Setting ($T_A = 25^\circ\text{C}$, $V_{SS} = 0\text{ V}$)

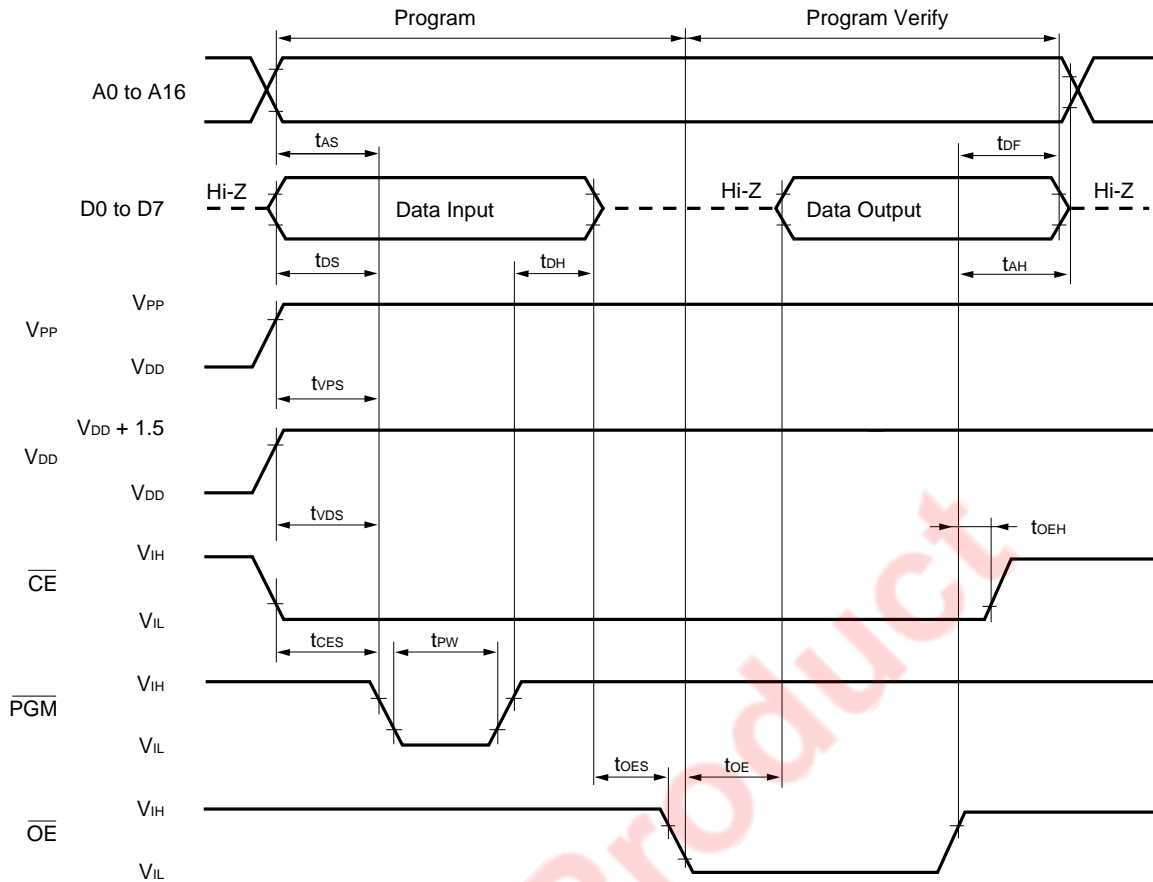
Parameter	Symbol	Test Conditions	MIN.	TYP.	MAX.	Unit
PROM programming mode setup time	t_{SMA}		10			μs

EOL Product

PROM Write Mode Timing (page program mode)

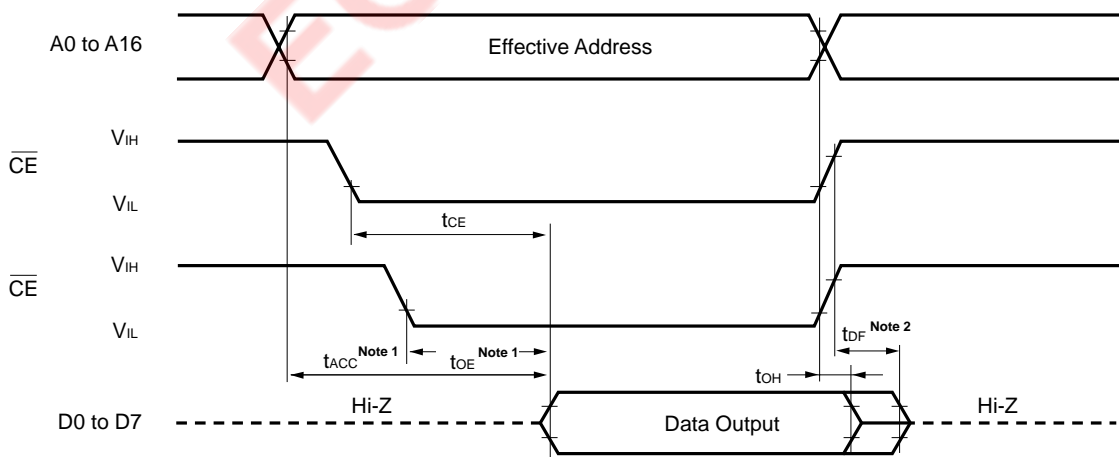


PROM Write Mode Timing (byte program mode)



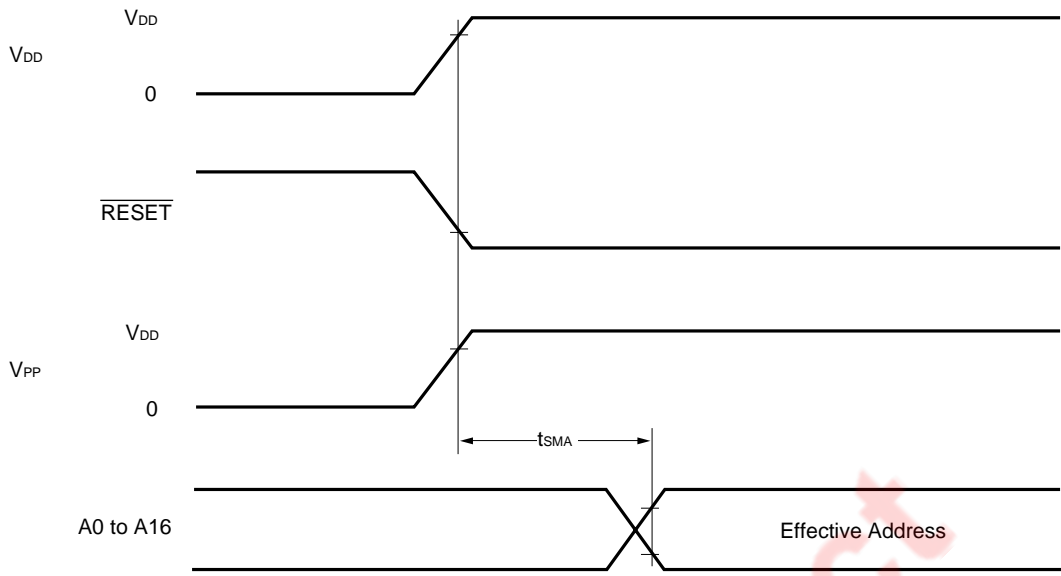
- Cautions**
1. V_{DD} should be applied before V_{PP}, and cut after V_{PP}.
 2. V_{PP} should not exceed +13.5 V including overshoot.
 3. Disconnection during application of ±12.5 V to V_{PP} may have an adverse effect on reliability.

PROM Read Mode Timing



- Notes**
1. If you want to read within the t_{ACC} range, make the OE input delay time from the fall of CE the maximum of t_{ACC} - t_{OE}.
 2. t_{DF} is the time from when either OE or CE first reaches V_{IH}.

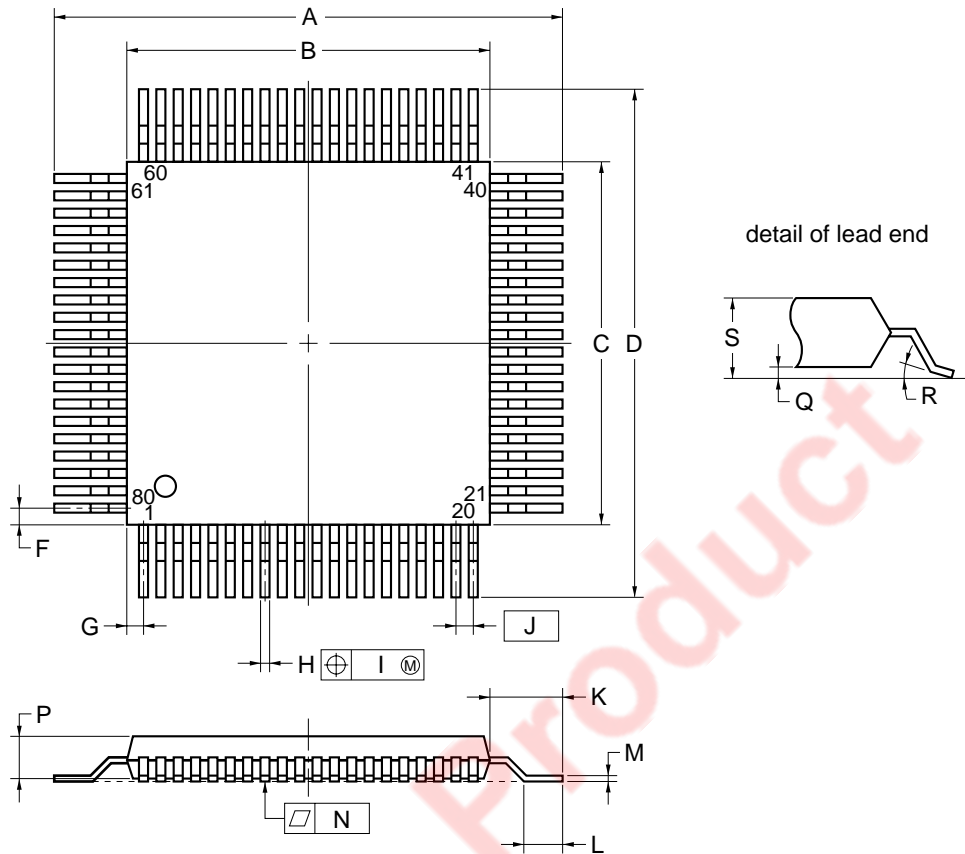
PROM Programming Mode Setting Timing



EOL Product

8. PACKAGE DRAWING

80 PIN PLASTIC QFP (14×14)



NOTE
 Each lead centerline is located within 0.13 mm (0.005 inch) of its true position (T.P.) at maximum material condition.

ITEM	MILLIMETERS	INCHES
A	17.2±0.4	0.677±0.016
B	14.0±0.2	0.551 ^{+0.009} _{-0.008}
C	14.0±0.2	0.551 ^{+0.009} _{-0.008}
D	17.2±0.4	0.677±0.016
F	0.825	0.032
G	0.825	0.032
H	0.30±0.10	0.012 ^{+0.004} _{-0.005}
I	0.13	0.005
J	0.65 (T.P.)	0.026 (T.P.)
K	1.6±0.2	0.063±0.008
L	0.8±0.2	0.031 ^{+0.009} _{-0.008}
M	0.15 ^{+0.10} _{-0.05}	0.006 ^{+0.004} _{-0.003}
N	0.10	0.004
P	2.7	0.106
Q	0.1±0.1	0.004±0.004
R	5°±5°	5°±5°
S	3.0 MAX.	0.119 MAX.

S80GC-65-3B9-4

Remarks The shape and material of ES versions are the same as those of mass-produced versions.

9. RECOMMENDED SOLDERING CONDITIONS

It is recommended that the μPD78P098B be soldered under the following conditions.

For details on the recommended soldering conditions, refer to information document "Semiconductor Device Mounting Technology Manual" (C10535E).

For soldering methods and conditions other than those recommended, please consult an NEC sales representative.

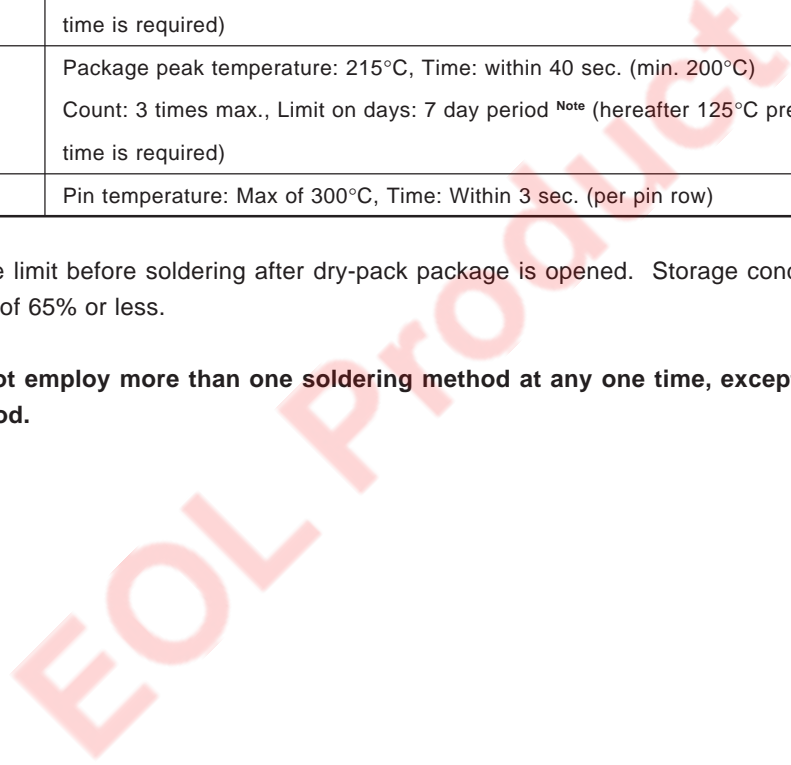
Table 9-1. Surface mounting type soldering conditions

μPD78P098BGC-3B9: 80-pin plastic QFP (14 × 14 mm)

Solder method	Soldering conditions	Symbol
Infrared reflow	Package peak temperature: 235°C, Time: within 30 sec. (min. 210°C) Count: 3 times max., Limit on days: 7 day period ^{Note} (hereafter 125°C pre-bake time is required)	IR35-207-3
VPS	Package peak temperature: 215°C, Time: within 40 sec. (min. 200°C) Count: 3 times max., Limit on days: 7 day period ^{Note} (hereafter 125°C pre-bake time is required)	VP15-207-3
Partial heating	Pin temperature: Max of 300°C, Time: Within 3 sec. (per pin row)	—

Note Exposure limit before soldering after dry-pack package is opened. Storage conditions: 25°C and relative humidity of 65% or less.

Caution Do not employ more than one soldering method at any one time, except for the partial heating method.



APPENDIX A. DEVELOPMENT TOOLS

The following development tools have been provided for system development using the μPD78P098B.

Language Processing Software

RA78K/0 <small>Notes 1, 2, 3, 4</small>	Assembler package common to 78K/0 Series products
CC78K/0 <small>Notes 1, 2, 3, 4</small>	C compiler package common to 78K/0 Series products
DF78098 <small>Notes 1, 2, 3, 4</small>	Device file common to μPD78098 Subseries products
CC78K/0-L <small>Notes 1, 2, 3, 4</small>	C compiler library source file common to 78K/0 Series products

PROM Write Tools

PG-1500	PROM programmer
PA-78P054GC	Programmer adapter connected to the PG-1500
PG-1500 controller <small>Notes 1, 2</small>	Control program for the PG-1500

Debugging Tools

IE-78000-R	In-circuit emulator common to 78K/0 Series products
IE-78000-R-A	In-circuit emulator common to 78K/0 Series products (for integrated debugger)
IE-78000-R-BK	Break board common to 78K/0 Series products
IE-78098-R-EM <small>Note 8</small> IE-780908-R-EM	Emulation board common to μPD78098 Subseries products
IE-78000-R-SV3	Interface adapter and cable when an EWS is used as the host machine (IE-78000-R-A)
IE-70000-98-IF-B	Interface adapter when a PC-9800 series (excluding notebook PCs) PC is used as the host machine (for IE-78000-R-A)
IE-70000-98N-IF	Interface adapter and cable when a PC-9800 series (excluding notebook PCs) PC is used as the host machine (for IE-78000-R-A)
IE-70000-PC-IF-B	Interface adapter when an IBM PC/AT™ PC is used as the host machine (for IE-78000-R-A)
EP-78234GC-R	Emulator probe common to μPD78234 Subseries products
EV-9200GC-80 (See Figure A-1)	Socket mounted on target system board made for an 80-pin plastic QFP (GC-3B9 type)
SM78K0 <small>Notes 5, 6, 7</small>	System simulator common to 78K/0 Series products
ID78K0 <small>Notes 4, 5, 6, 7</small>	Integrated debugger for the IE-78000-R-A
SD78K/0 <small>Notes 1, 2</small>	Screen debugger for the IE-78000-R
DF78098 <small>Notes 1, 2, 4, 5, 6, 7</small>	Device file common to μPD78078 Subseries products

Real-Time OS

RX78K/0 <small>Notes 1, 2, 3, 4</small>	Real-time OS used for 78/0 Series products
MX78K0 <small>Notes 1, 2, 3, 4</small>	OS used for 78K/0 Series products

Fuzzy Inference Development Support System

FE9000 <small>Note 1</small> /FE9200 <small>Note 6</small>	Fuzzy knowledge data creation tool
FT9080 <small>Note 1</small> /FT9085 <small>Note 2</small>	Translator
FI78K0 <small>Notes 1, 2</small>	Fuzzy inference module
FD78K0 <small>Notes 1, 2</small>	Fuzzy inference debugger

Notes 1. PC-9800 series (MS-DOS™) base

2. IBM PC/AT and its compatibles (PC-DOS™/IBM-DOS™/MS-DOS) base

3. HP9000 series 300™ (HP-UX™) base

4. HP9000 series 700™ (HP-UX) base, SPARCstation™ (SunOS™) base, EWS4800 series (EWS-UX/V) base

5. PC-9800 series (MS-DOS+Windows™) base

6. IBM PC/AT and its compatibles (PC-DOS/IBM-DOS/MS-DOS+Windows) base

7. NEWS™ (NEWS-OS™) base

8. Maintenance only.

Remarks 1. The DF78098 is used in combination with the RA78K/0, CC78K/0, SD78K/0, SM78K0, ID78K0, and RX78K/0.

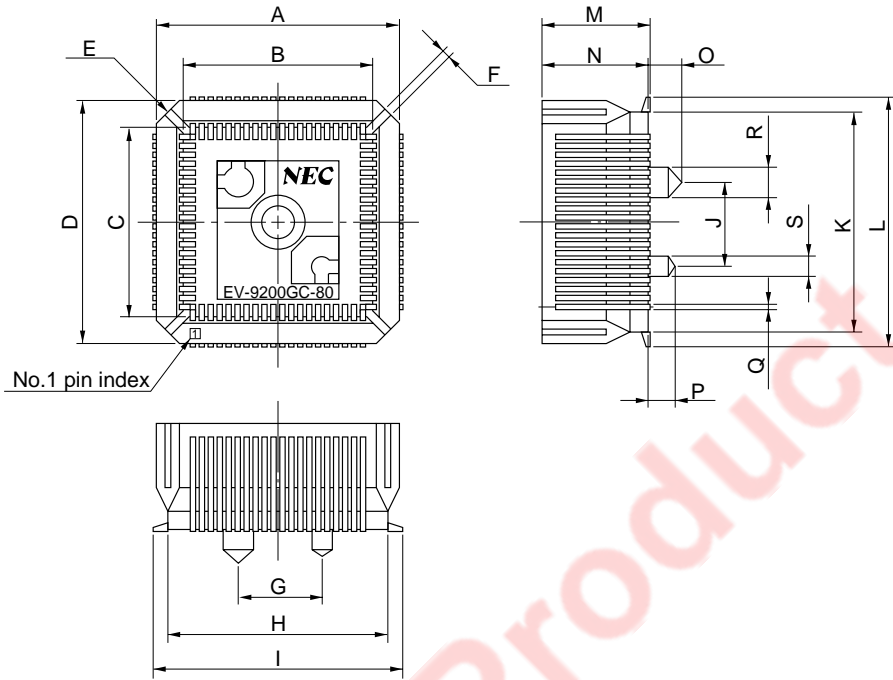
2. For third party development tools, see **78K/0 Series Selection Guide (U11126E)**.

EOL Product

CONVERSION SOCKET DRAWING AND FOOTPRINTS

Figure A-1. Socket Drawing of EV-9200GC-80 (reference)

Based on EV-9200GC-80
 (1) Package drawing (in mm)

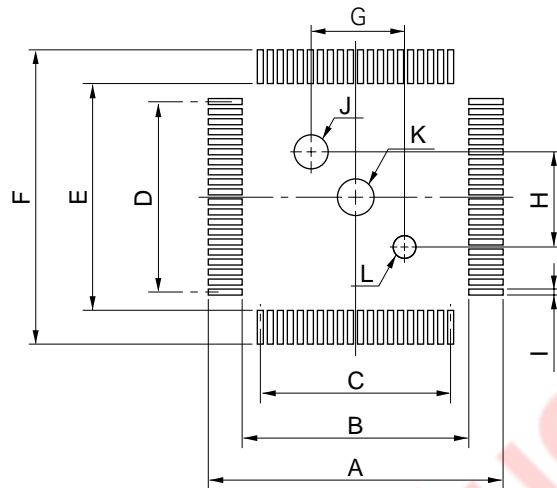


EV-9200GC-80-G0

ITEM	MILLIMETERS	INCHES
A	18.0	0.709
B	14.4	0.567
C	14.4	0.567
D	18.0	0.709
E	4-C 2.0	4-C 0.079
F	0.8	0.031
G	6.0	0.236
H	16.0	0.63
I	18.7	0.736
J	6.0	0.236
K	16.0	0.63
L	18.7	0.736
M	8.2	0.323
O	8.0	0.315
N	2.5	0.098
P	2.0	0.079
Q	0.35	0.014
R	φ2.3	φ0.091
S	φ1.5	φ0.059

Figure A-2. Recommended Footprints of EV-9200GC-80 (reference) (Units : mm)

Based on EV-9200GC-80
(2) Pad drawing (in mm)



EV-9200GC-80-P1E

ITEM	MILLIMETERS	INCHES
A	19.7	0.776
B	15.0	0.591
C	$0.65 \pm 0.02 \times 19 = 12.35 \pm 0.05$	$0.026^{+0.001}_{-0.002} \times 0.748 = 0.486^{+0.003}_{-0.002}$
D	$0.65 \pm 0.02 \times 19 = 12.35 \pm 0.05$	$0.026^{+0.001}_{-0.002} \times 0.748 = 0.486^{+0.003}_{-0.002}$
E	15.0	0.591
F	19.7	0.776
G	6.0 ± 0.05	$0.236^{+0.003}_{-0.002}$
H	6.0 ± 0.05	$0.236^{+0.003}_{-0.002}$
I	0.35 ± 0.02	$0.014^{+0.001}_{-0.001}$
J	$\phi 2.36 \pm 0.03$	$\phi 0.093^{+0.001}_{-0.002}$
K	$\phi 2.3$	$\phi 0.091$
L	$\phi 1.57 \pm 0.03$	$\phi 0.062^{+0.001}_{-0.002}$

Caution Dimensions of mount pad for EV-9200 and that for target device (QFP) may be different in some parts. For the recommended mount pad dimensions for QFP, refer to "SEMICONDUCTOR DEVICE MOUNTING TECHNOLOGY MANUAL" (C10535E).

APPENDIX B. RELATED DOCUMENTS

Documents Related to Devices

Document Name	Document Number	
	Japanese	English
μPD78098B Subseries User's Manual	U12761J	To be prepared
μPD78095B, 78096B, 78098B Data Sheet	U12735J	To be prepared
μPD78098B Data Sheet	U12777J	This document
78K/0 Series User's Manual - Instructions	U12326J	U12326E
78K/0 Series Instruction Application Table	U10903J	–
78K/0 Series Instruction Set	U10904J	–
μPD78098B Subseries Special Function Register Application Table	To be prepared	–

Documents Related to Development Tools (User's Manual) (1/2)

Document Name		Document Number	
		Japanese	English
RA78K Series Assembler Package	Operation	EEU-809	EEU-1399
	Language	EEU-815	EEU-1404
RA78K Series Structured Assembler Preprocessor		U12323J	EEU-1402
RA78K0 Assembler Package	Operation	U11802J	U11802E
	Language	U11801J	U11801E
	Structured Assembly Language	U11789J	U11789E
CC78K Series C Compiler	Operation	EEU-656	EEU-1280
	Language	EEU-655	EEU-1284
CC78K0 C Compiler	Operation	U11517J	U11517E
	Language	U11518J	U11518E
CC78K/0 C Compiler Application Note	Programming Know-how	EEA-618	EEA-1208
CC78K Series Library Source File		U12322J	–
PG-1500 PROM Programmer		U11940J	EEU-1335
PG-1500 Controller PC-9800 Series (MS-DOS) base		EEU-704	EEU-1291
PG-1500 Controller IBM PC Series (PC DOS) base		EEU-5008	U10540E
IE-78000-R		U11376J	U11376E
IE-78000-R-A		U10057J	U10057E
IE-78098-R-BK		EEU-867	EEU-1427
IE-78098-R-EM		To be prepared	To be prepared
EP-78230		EEU-985	EEU-1515
SM78K0 System Simulator - Windows base	Reference	U10181J	U10181E
SM78K Series System Simulator	External Parts User Open Interface Specification	U10092J	U10092E

Caution The contents of the above documents are subject to change without notice. Be sure to use the latest edition for designing.

Documents Related to Development Tools (User's Manual) (2/2)

Document Name		Document Number	
		Japanese	English
ID78K0 Integrated Debugger EWS Base	Reference	U11151J	—
ID78K0 Integrated Debugger PC Base	Reference	U11539J	U11539E
ID78K0 Integrated Debugger Windows Base	Guide	U11649J	U11649E
SD78K/0 Screen Debugger	Introduction	EEU-852	—
PC-9800 Series (MS-DOS) Base	Reference	U10952J	—
SD78K/0 Screen Debugger	Introduction	EEU-5024	U10539E
IBM PC/AT (PC DOS) Base	Reference	U11279J	U11279E

Documents Related to Embedded Software (User's Manual)

Document Name		Document Number	
		Japanese	English
78K/0 Series Real-Time OS	Fundamental	U11537J	U11537E
	Installation	U11536J	U11536E
78K/0 Seies OS MX78K0	Fundamental	U12257J	U12257E
Fuzzy Knowledge Data Creation Tool		EEU-829	EEU-1438
78K/0, 78K/II, 87AD Series Fuzzy Inference Development Support System - Translator		EEU-862	EEU-1444
78K/0 Series Fuzzy Inference Development Support System - Fuzzy Inference Module		EEU-858	EEU-1441
78K/0 Series Fuzzy Inference Development Support System - Fuzzy Inference Debugger		EEU-921	EEU-1458

Others

Document Name		Document Number	
		Japanese	English
IC Package Manual		C10943X	
Semiconductor Device Mounting Technology Manual		C10535J	C10535E
Quality Grades on NEC Semiconductor Devices		C11531J	C11531E
NEC Semiconductor Device Reliability/Quality Control System		C10983J	C10983E
Electrostatic Discharge (ESD) Test		MEM-539	—
Guide to Quality Assurance for Semiconductor Devices		C11893J	MEI-1202
Microcomputer Product Series Guide - Third Party Products -		U11416J	—

Caution The contents of the above documents are subject to change without notice. Be sure to use the latest edition for designing.

NOTES FOR CMOS DEVICES

① PRECAUTION AGAINST ESD FOR SEMICONDUCTORS

Note: Strong electric field, when exposed to a MOS device, can cause destruction of the gate oxide and ultimately degrade the device operation. Steps must be taken to stop generation of static electricity as much as possible, and quickly dissipate it once, when it has occurred. Environmental control must be adequate. When it is dry, humidifier should be used. It is recommended to avoid using insulators that easily build static electricity. Semiconductor devices must be stored and transported in an anti-static container, static shielding bag or conductive material. All test and measurement tools including work bench and floor should be grounded. The operator should be grounded using wrist strap. Semiconductor devices must not be touched with bare hands. Similar precautions need to be taken for PW boards with semiconductor devices on it.

② HANDLING OF UNUSED INPUT PINS FOR CMOS

Note: No connection for CMOS device inputs can be cause of malfunction. If no connection is provided to the input pins, it is possible that an internal input level may be generated due to noise, etc., hence causing malfunction. CMOS device behave differently than Bipolar or NMOS devices. Input levels of CMOS devices must be fixed high or low by using a pull-up or pull-down circuitry. Each unused pin should be connected to V_{DD} or GND with a resistor, if it is considered to have a possibility of being an output pin. All handling related to the unused pins must be judged device by device and related specifications governing the devices.

③ STATUS BEFORE INITIALIZATION OF MOS DEVICES

Note: Power-on does not necessarily define initial status of MOS device. Production process of MOS does not define the initial operation status of the device. Immediately after the power source is turned ON, the devices with reset function have not yet been initialized. Hence, power-on does not guarantee out-pin levels, I/O settings or contents of registers. Device is not initialized until the reset signal is received. Reset operation must be executed immediately after power-on for devices having reset function.

Regional Information

Some information contained in this document may vary from country to country. Before using any NEC product in your application, please contact the NEC office in your country to obtain a list of authorized representatives and distributors. They will verify:

- Device availability
- Ordering information
- Product release schedule
- Availability of related technical literature
- Development environment specifications (for example, specifications for third-party tools and components, host computers, power plugs, AC supply voltages, and so forth)
- Network requirements

In addition, trademarks, registered trademarks, export restrictions, and other legal issues may also vary from country to country.

NEC Electronics Inc. (U.S.)

Santa Clara, California
 Tel: 408-588-6000
 800-366-9782
 Fax: 408-588-6130
 800-729-9288

NEC Electronics (Germany) GmbH

Duesseldorf, Germany
 Tel: 0211-65 03 02
 Fax: 0211-65 03 490

NEC Electronics (UK) Ltd.

Milton Keynes, UK
 Tel: 01908-691-133
 Fax: 01908-670-290

NEC Electronics Italiana s.r.l.

Milano, Italy
 Tel: 02-66 75 41
 Fax: 02-66 75 42 99

NEC Electronics (Germany) GmbH

Benelux Office
 Eindhoven, The Netherlands
 Tel: 040-2445845
 Fax: 040-2444580

NEC Electronics (France) S.A.

Velizy-Villacoublay, France
 Tel: 01-30-67 58 00
 Fax: 01-30-67 58 99

NEC Electronics (France) S.A.

Spain Office
 Madrid, Spain
 Tel: 01-504-2787
 Fax: 01-504-2860

NEC Electronics (Germany) GmbH

Scandinavia Office
 Taebly, Sweden
 Tel: 08-63 80 820
 Fax: 08-63 80 388

NEC Electronics Hong Kong Ltd.

Hong Kong
 Tel: 2886-9318
 Fax: 2886-9022/9044

NEC Electronics Hong Kong Ltd.

Seoul Branch
 Seoul, Korea
 Tel: 02-528-0303
 Fax: 02-528-4411

NEC Electronics Singapore Pte. Ltd.

United Square, Singapore 1130
 Tel: 253-8311
 Fax: 250-3583

NEC Electronics Taiwan Ltd.

Taipei, Taiwan
 Tel: 02-719-2377
 Fax: 02-719-5951

NEC do Brasil S.A.

Cumbica-Guarulhos-SP, Brasil
 Tel: 011-6465-6810
 Fax: 011-6465-6829

FIP, IEBus, and QTOP are trademarks of NEC Corporation.

MS-DOS and Windows are either registered trademarks or trademarks of Microsoft Corporation in the United States and/or other countries.

IBM DOS, PC/AT, and PC DOS are trademarks of International Business Machines Corporation.

HP9000 series 300, HP 9000 series 700, and HP-UX are trademarks of Hewlett-Packard Company.

SPARCstation is a trademark of SPARC International, Inc.

SunOS is a trademark of Sun Microsystems Corporation.

NEWS and NEWS-OS are trademarks of Sony Corporation.

The related documents in this publication may include preliminary versions. However, preliminary versions are not marked as such.

The export of this product from Japan is regulated by the Japanese government. To export this product may be prohibited without governmental license, the need for which must be judged by the customer. The export or re-export of this product from a country other than Japan may also be prohibited without a license from that country. Please call an NEC sales representative.

No part of this document may be copied or reproduced in any form or by any means without the prior written consent of NEC Corporation. NEC Corporation assumes no responsibility for any errors which may appear in this document.

NEC Corporation does not assume any liability for infringement of patents, copyrights or other intellectual property rights of third parties by or arising from use of a device described herein or any other liability arising from use of such device. No license, either express, implied or otherwise, is granted under any patents, copyrights or other intellectual property rights of NEC Corporation or others.

While NEC Corporation has been making continuous effort to enhance the reliability of its semiconductor devices, the possibility of defects cannot be eliminated entirely. To minimize risks of damage or injury to persons or property arising from a defect in an NEC semiconductor device, customers must incorporate sufficient safety measures in its design, such as redundancy, fire-containment, and anti-failure features.

NEC devices are classified into the following three quality grades:

"Standard", "Special", and "Specific". The Specific quality grade applies only to devices developed based on a customer designated "quality assurance program" for a specific application. The recommended applications of a device depend on its quality grade, as indicated below. Customers must check the quality grade of each device before using it in a particular application.

Standard: Computers, office equipment, communications equipment, test and measurement equipment, audio and visual equipment, home electronic appliances, machine tools, personal electronic equipment and industrial robots

Special: Transportation equipment (automobiles, trains, ships, etc.), traffic control systems, anti-disaster systems, anti-crime systems, safety equipment and medical equipment (not specifically designed for life support)

Specific: Aircrafts, aerospace equipment, submersible repeaters, nuclear reactor control systems, life support systems or medical equipment for life support, etc.

The quality grade of NEC devices is "Standard" unless otherwise specified in NEC's Data Sheets or Data Books.

If customers intend to use NEC devices for applications other than those specified for Standard quality grade, they should contact an NEC sales representative in advance.

Anti-radioactive design is not implemented in this product.