

To our customers,

---

## Old Company Name in Catalogs and Other Documents

---

On April 1<sup>st</sup>, 2010, NEC Electronics Corporation merged with Renesas Technology Corporation, and Renesas Electronics Corporation took over all the business of both companies. Therefore, although the old company name remains in this document, it is a valid Renesas Electronics document. We appreciate your understanding.

Renesas Electronics website: <http://www.renesas.com>

April 1<sup>st</sup>, 2010  
Renesas Electronics Corporation

Issued by: Renesas Electronics Corporation (<http://www.renesas.com>)

Send any inquiries to <http://www.renesas.com/inquiry>.

## Notice

1. All information included in this document is current as of the date this document is issued. Such information, however, is subject to change without any prior notice. Before purchasing or using any Renesas Electronics products listed herein, please confirm the latest product information with a Renesas Electronics sales office. Also, please pay regular and careful attention to additional and different information to be disclosed by Renesas Electronics such as that disclosed through our website.
2. Renesas Electronics does not assume any liability for infringement of patents, copyrights, or other intellectual property rights of third parties by or arising from the use of Renesas Electronics products or technical information described in this document. No license, express, implied or otherwise, is granted hereby under any patents, copyrights or other intellectual property rights of Renesas Electronics or others.
3. You should not alter, modify, copy, or otherwise misappropriate any Renesas Electronics product, whether in whole or in part.
4. Descriptions of circuits, software and other related information in this document are provided only to illustrate the operation of semiconductor products and application examples. You are fully responsible for the incorporation of these circuits, software, and information in the design of your equipment. Renesas Electronics assumes no responsibility for any losses incurred by you or third parties arising from the use of these circuits, software, or information.
5. When exporting the products or technology described in this document, you should comply with the applicable export control laws and regulations and follow the procedures required by such laws and regulations. You should not use Renesas Electronics products or the technology described in this document for any purpose relating to military applications or use by the military, including but not limited to the development of weapons of mass destruction. Renesas Electronics products and technology may not be used for or incorporated into any products or systems whose manufacture, use, or sale is prohibited under any applicable domestic or foreign laws or regulations.
6. Renesas Electronics has used reasonable care in preparing the information included in this document, but Renesas Electronics does not warrant that such information is error free. Renesas Electronics assumes no liability whatsoever for any damages incurred by you resulting from errors in or omissions from the information included herein.
7. Renesas Electronics products are classified according to the following three quality grades: “Standard”, “High Quality”, and “Specific”. The recommended applications for each Renesas Electronics product depends on the product’s quality grade, as indicated below. You must check the quality grade of each Renesas Electronics product before using it in a particular application. You may not use any Renesas Electronics product for any application categorized as “Specific” without the prior written consent of Renesas Electronics. Further, you may not use any Renesas Electronics product for any application for which it is not intended without the prior written consent of Renesas Electronics. Renesas Electronics shall not be in any way liable for any damages or losses incurred by you or third parties arising from the use of any Renesas Electronics product for an application categorized as “Specific” or for which the product is not intended where you have failed to obtain the prior written consent of Renesas Electronics. The quality grade of each Renesas Electronics product is “Standard” unless otherwise expressly specified in a Renesas Electronics data sheets or data books, etc.
  - “Standard”: Computers; office equipment; communications equipment; test and measurement equipment; audio and visual equipment; home electronic appliances; machine tools; personal electronic equipment; and industrial robots.
  - “High Quality”: Transportation equipment (automobiles, trains, ships, etc.); traffic control systems; anti-disaster systems; anti-crime systems; safety equipment; and medical equipment not specifically designed for life support.
  - “Specific”: Aircraft; aerospace equipment; submersible repeaters; nuclear reactor control systems; medical equipment or systems for life support (e.g. artificial life support devices or systems), surgical implantations, or healthcare intervention (e.g. excision, etc.), and any other applications or purposes that pose a direct threat to human life.
8. You should use the Renesas Electronics products described in this document within the range specified by Renesas Electronics, especially with respect to the maximum rating, operating supply voltage range, movement power voltage range, heat radiation characteristics, installation and other product characteristics. Renesas Electronics shall have no liability for malfunctions or damages arising out of the use of Renesas Electronics products beyond such specified ranges.
9. Although Renesas Electronics endeavors to improve the quality and reliability of its products, semiconductor products have specific characteristics such as the occurrence of failure at a certain rate and malfunctions under certain use conditions. Further, Renesas Electronics products are not subject to radiation resistance design. Please be sure to implement safety measures to guard them against the possibility of physical injury, and injury or damage caused by fire in the event of the failure of a Renesas Electronics product, such as safety design for hardware and software including but not limited to redundancy, fire control and malfunction prevention, appropriate treatment for aging degradation or any other appropriate measures. Because the evaluation of microcomputer software alone is very difficult, please evaluate the safety of the final products or system manufactured by you.
10. Please contact a Renesas Electronics sales office for details as to environmental matters such as the environmental compatibility of each Renesas Electronics product. Please use Renesas Electronics products in compliance with all applicable laws and regulations that regulate the inclusion or use of controlled substances, including without limitation, the EU RoHS Directive. Renesas Electronics assumes no liability for damages or losses occurring as a result of your noncompliance with applicable laws and regulations.
11. This document may not be reproduced or duplicated, in any form, in whole or in part, without prior written consent of Renesas Electronics.
12. Please contact a Renesas Electronics sales office if you have any questions regarding the information contained in this document or Renesas Electronics products, or if you have any other inquiries.

(Note 1) “Renesas Electronics” as used in this document means Renesas Electronics Corporation and also includes its majority-owned subsidiaries.

(Note 2) “Renesas Electronics product(s)” means any product developed or manufactured by or for Renesas Electronics.

## 4-BIT SINGLE-CHIP MICROCONTROLLER

The μPD75P0076 replaces the μPD750068's internal mask ROM with a one-time PROM and features expanded ROM capacity.

Because the μPD75P0076 supports programming by users, it is suitable for use in prototype testing for system development using the μPD750064, 750066, and 750068 products, and for use in small-lot production.

**Detailed information about function is provided in the following user's manual.**

**Be sure to read it before designing:**

**μPD750068 User's Manual: U10670E**

### FEATURES

- Compatible with μPD750068
- Memory capacity:
  - PROM : 16384 x 8 bits
  - RAM : 512 x 4 bits
- Can operate with same power supply voltage as the mask ROM version μPD750068  
V<sub>DD</sub> = 1.8 to 5.5 V
- On-chip A/D converter capable of low-voltage operation (A<sub>VREF</sub> = 1.8 to 5.5 V)  
8-bit resolution x 8 channels
- Small shrink SOP package

### ORDERING INFORMATION

|   | Part Number    | Package   |
|---|----------------|---|
|   | μPD75P0076CU   | 42-pin plastic shrink DIP (600 mil, 1.778-mm pitch) |
| ★ | μPD75P0076CU-A | 42-pin plastic shrink DIP (600 mil, 1.778-mm pitch) |
|   | μPD75P0076GT   | 42-pin plastic shrink SOP (375 mil, 0.8-mm pitch)   |
| ★ | μPD75P0076GT-A | 42-pin plastic shrink SOP (375 mil, 0.8-mm pitch)   |

**Caution** On-chip pull-up resistors by mask option cannot be provided.

**Remark** Products with "-A" at the end of the part number are lead-free products.

The information in this document is subject to change without notice. Before using this document, please confirm that this is the latest version.

Not all products and/or types are available in every country. Please check with an NEC Electronics sales representative for availability and additional information.

Functional Outline

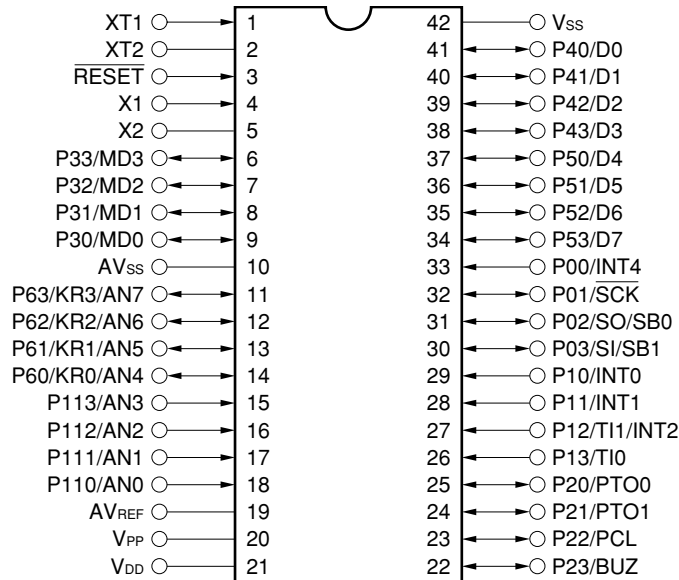
| Parameter                     |  | Function   |   |
|-------------------------------|--|--|---|
| Instruction execution time    |  | <ul style="list-style-type: none"> <li>• 0.95, 1.91, 3.81, 15.3 μs (@ 4.19 MHz with main system clock)</li> <li>• 0.67, 1.33, 2.67, 10.7 μs (@ 6.0 MHz with main system clock)</li> <li>• 122 μs (@ 32.768 kHz with subsystem clock)</li> </ul>        |   |
| On-chip memory                | PROM   | 16384 x 8 bits   |   |
|                               | RAM  | 512 x 4 bits   |   |
| General-purpose register      |  | <ul style="list-style-type: none"> <li>• 4-bit operation: 8 x 4 banks</li> <li>• 8-bit operation: 4 x 4 banks</li> </ul>   |   |
| ★ Input/output port           | CMOS input   | 12   | Connections of on-chip pull-up resistors can be specified by software: 7<br>Also used for analog input pins: 4  |
|                               | CMOS input/output  | 12   | Connections of on-chip pull-up resistors can be specified by software: 12<br>Also used for analog input pins: 4 |
|                               | N-ch open-drain input/output pins  | 8  | 13-V withstand voltage  |
|                               | Total  | 32   |   |
| Timer                         |  | 4 channels <ul style="list-style-type: none"> <li>• 8-bit timer/event counter: 2 channels (can be used as the 16-bit timer/event counter)</li> <li>• 8-bit basic interval timer/watchdog timer: 1 channel</li> <li>• Watch timer: 1 channel</li> </ul> |   |
| Serial interface              |  | <ul style="list-style-type: none"> <li>• 3-wire serial I/O mode ... MSB or LSB can be selected for transferring first bit</li> <li>• 2-wire serial I/O mode</li> </ul>   |   |
| A/D converter                 |  | 8-bit resolution x 8 channels ( $1.8\text{ V} \leq AV_{REF} \leq V_{DD}$ )   |   |
| Bit sequential buffer         |  | 16 bits  |   |
| ★ Clock output (PCL)          | <ul style="list-style-type: none"> <li>• Φ, 1.05 MHz, 262 kHz, 65.5 kHz (@ 4.19 MHz with main system clock)</li> <li>• Φ, 1.5 MHz, 375 kHz, 93.8 kHz (@ 6.0 MHz with main system clock)</li> </ul> |  |   |
| Buzzer output (BUZ)           |  | <ul style="list-style-type: none"> <li>• 2, 4, 32 kHz (@ 4.19 MHz with main system clock or @ 32.768 kHz with subsystem clock)</li> <li>• 2.93, 5.86, 46.9 kHz (@ 6.0 MHz with main system clock)</li> </ul>   |   |
| Vectored interrupts           |  | External: 3, Internal: 4   |   |
| Test input                    |  | External: 1, Internal: 1   |   |
| System clock oscillator       |  | <ul style="list-style-type: none"> <li>• Ceramic or crystal oscillator for main system clock oscillation</li> <li>• Crystal oscillator for subsystem clock oscillation</li> </ul>  |   |
| Standby function              |  | STOP/HALT mode   |   |
| Operating ambient temperature |  | $T_A = -40$ to $+85$ °C  |   |
| Power supply voltage          |  | $V_{DD} = 1.8$ to $5.5$ V  |   |
| Package                       |  | <ul style="list-style-type: none"> <li>• 42-pin plastic shrink DIP (600 mil, 1.778-mm pitch)</li> <li>• 42-pin plastic shrink SOP (375 mil, 0.8-mm pitch)</li> </ul>   |   |

CONTENTS

|     |   |    |
|-----|---|----|
| 1.  | PIN CONFIGURATION (Top View) .....                                    | 4  |
| 2.  | BLOCK DIAGRAM .....   | 5  |
| 3.  | PIN FUNCTIONS .....   | 6  |
| 3.1 | Port Pins .....   | 6  |
| 3.2 | Non-port Pins .....   | 7  |
| 3.3 | Equivalent Circuits for Pins .....                                    | 9  |
| 3.4 | Handling of Unused Pins .....   | 12 |
| 4.  | SWITCHING BETWEEN Mk I AND Mk II MODES .....                          | 13 |
| 4.1 | Difference between Mk I Mode and Mk II Mode .....                     | 13 |
| 4.2 | Setting of Stack Bank Selection (SBS) Register .....                  | 14 |
| 5.  | DIFFERENCES BETWEEN μPD75P0076 AND μPD750064, 750066 AND 750068 ..... | 15 |
| 6.  | MEMORY CONFIGURATION .....  | 16 |
| 7.  | INSTRUCTION SET .....   | 18 |
| 8.  | ONE-TIME PROM (PROGRAM MEMORY) WRITE AND VERIFY .....                 | 29 |
| 8.1 | Operation Modes for Program Memory Write/Verify .....                 | 29 |
| 8.2 | Steps in Program Memory Write Operation .....                         | 30 |
| 8.3 | Steps in Program Memory Read Operation .....                          | 31 |
| 8.4 | One-time PROM Screening .....   | 32 |
| ★   | 9. ELECTRICAL SPECIFICATIONS .....                                    | 33 |
| ★   | 10. CHARACTERISTICS CURVES (REFERENCE VALUES) .....                   | 49 |
|     | 11. PACKAGE DRAWINGS .....  | 51 |
| ★   | 12. RECOMMENDED SOLDERING CONDITIONS .....                            | 53 |
|     | APPENDIX A DIFFERENCES AMONG μPD75068, 750068 AND 75P0076 .....       | 55 |
|     | APPENDIX B DEVELOPMENT TOOLS .....                                    | 56 |
|     | APPENDIX C RELATED DOCUMENTS .....                                    | 59 |

1. PIN CONFIGURATION (Top View)

- 42-pin plastic shrink DIP (600 mil, 1.778-mm pitch)  
μPD75P0076CU
- ★ μPD75P0076CU-A
- 42-pin plastic shrink SOP (375 mil, 0.8-mm pitch)  
μPD75P0076GT
- ★ μPD75P0076GT-A

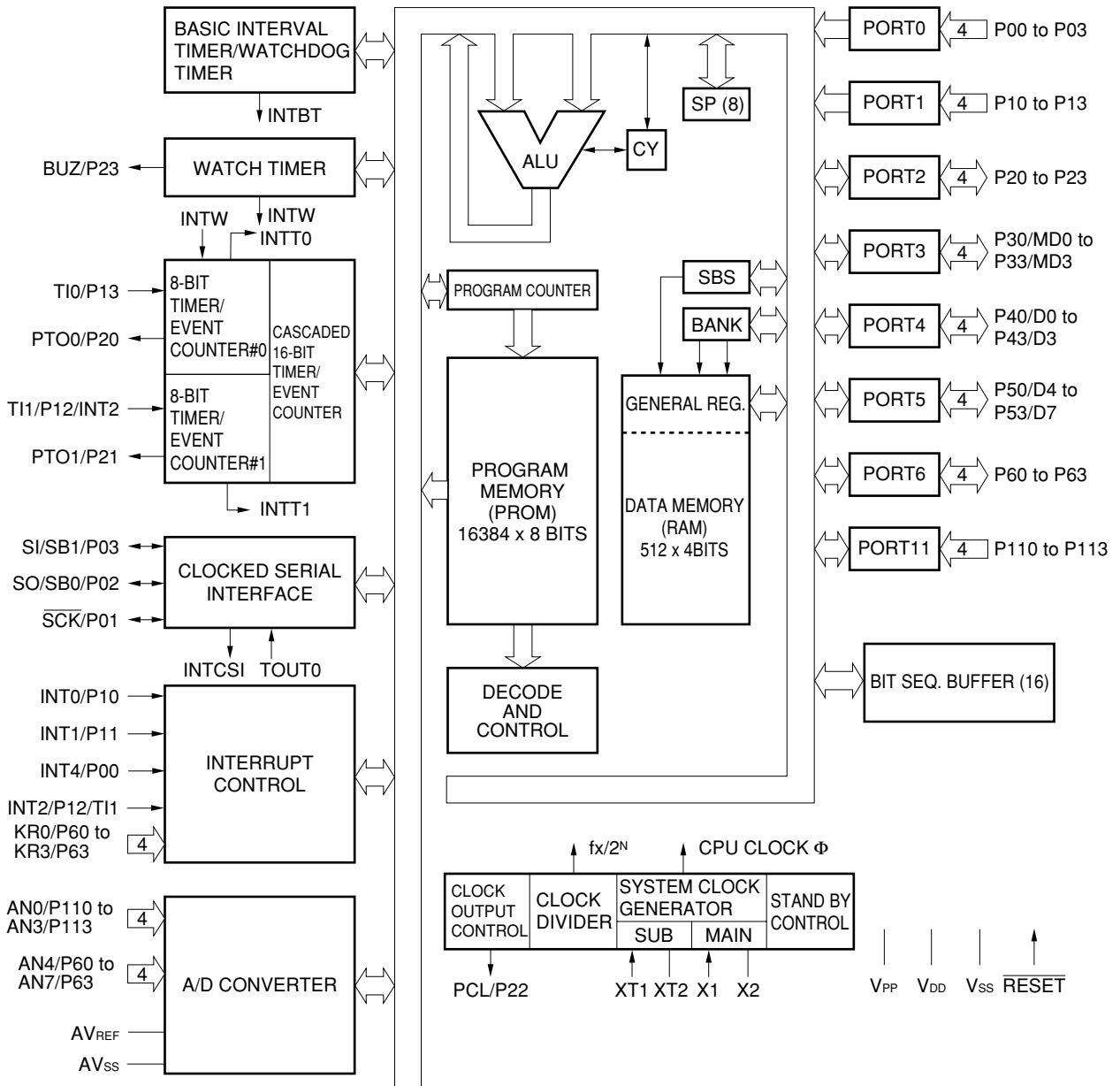


In normal operation mode, make sure to connect V<sub>PP</sub> directly to V<sub>DD</sub>.

Pin Identification

- |                   |                                       |                 |                                      |
|-------------------|---------------------------------------|-----------------|--------------------------------------|
| AN0 to AN7        | : Analog Input 0 to 7                 | P110 to P113    | : Port 11                            |
| AV <sub>REF</sub> | : Analog Reference                    | PCL             | : Programmable Clock                 |
| AV <sub>SS</sub>  | : Analog Ground                       | PTO0, PTO1      | : Programmable Timer Output 0, 1     |
| BUZ               | : Buzzer Clock                        | RESET           | : Reset Input                        |
| D0 to D7          | : Data Bus 0 to 7                     | SB0, SB1        | : Serial Data Bus 0, 1               |
| INT0, INT1, INT4  | : External Vectored Interrupt 0, 1, 4 | SCK             | : Serial Clock                       |
| INT2              | : External Test Input 2               | SI              | : Serial Input                       |
| KR0 to KR3        | : Key Return                          | SO              | : Serial Output                      |
| MD0 to MD3        | : Mode Selection 0 to 3               | TI0, TI1        | : Timer Input 0, 1                   |
| P00 to P03        | : Port 0                              | V <sub>DD</sub> | : Positive Power Supply              |
| P10 to P13        | : Port 1                              | V <sub>PP</sub> | : Programmable Power Supply          |
| P20 to P23        | : Port 2                              | V <sub>SS</sub> | : Ground                             |
| P30 to P33        | : Port 3                              | X1, X2          | : Main System Clock Oscillation 1, 2 |
| P40 to P43        | : Port 4                              | XT1, XT2        | : Subsystem Clock Oscillation 1, 2   |
| P50 to P53        | : Port 5                              |                 |                                      |
| P60 to P63        | : Port 6                              |                 |                                      |

2. BLOCK DIAGRAM



3. PIN FUNCTIONS

3.1 Port Pins

| Pin name                | I/O | Alternate function | Function  | 8-bit accessible | After reset    | I/O circuit type <sup>Note 1</sup> |
|-------------------------|-----|--------------------|---|------------------|----------------|------------------------------------|
| P00                     | I   | INT4               | This is a 4-bit input port (PORT0). For P01 to P03, on-chip pull-up resistors are software-specifiable in 3-bit units.  | Not available    | Input          | <B>                                |
| P01                     | I/O | $\overline{SCK}$   |   |                  |                | <F>-A                              |
| P02                     | I/O | SO/SB0             |   |                  |                | <F>-B                              |
| P03                     | I/O | SI/SB1             |   |                  |                | <M>-C                              |
| P10                     | I   | INT0               | This is a 4-bit input port (PORT1). Connections of on-chip pull-up resistors are software-specifiable in 4-bit units. P10/INT0 can select a noise elimination circuit.                  | Not available    | Input          | <B>-C                              |
| P11                     |     | INT1               |   |                  |                |                                    |
| P12                     |     | T11/INT2           |   |                  |                |                                    |
| P13                     |     | T10                |   |                  |                |                                    |
| P20                     | I/O | PTO0               | This is a 4-bit I/O port (PORT2). Connections of on-chip pull-up resistors are software-specifiable in 4-bit units.   | Not available    | Input          | E-B                                |
| P21                     |     | PTO1               |   |                  |                |                                    |
| P22                     |     | PCL                |   |                  |                |                                    |
| P23                     |     | BUZ                |   |                  |                |                                    |
| P30                     | I/O | MD0                | This is a programmable 4-bit I/O port (PORT3). Input and output can be specified in single-bit units. Connections of on-chip pull-up resistors are software-specifiable in 4-bit units. | Not available    | Input          | E-B                                |
| P31                     |     | MD1                |   |                  |                |                                    |
| P32                     |     | MD2                |   |                  |                |                                    |
| P33                     |     | MD3                |   |                  |                |                                    |
| ★ P40 <sup>Note 2</sup> | I/O | D0                 | This is an N-ch open-drain 4-bit I/O port (PORT4). In the open-drain mode, withstands up to 13 V. Also used as data I/O pin (lower 4 bits) for program memory (PROM) write/verify.      | Available        | High impedance | M-E                                |
| P41 <sup>Note 2</sup>   |     | D1                 |   |                  |                |                                    |
| P42 <sup>Note 2</sup>   |     | D2                 |   |                  |                |                                    |
| P43 <sup>Note 2</sup>   |     | D3                 |   |                  |                |                                    |
| ★ P50 <sup>Note 2</sup> | I/O | D4                 | This is an N-ch open-drain 4-bit I/O port (PORT5). In the open-drain mode, withstands up to 13 V. Also used as data I/O pin (upper 4 bits) for program memory (PROM) write/verify.      | Available        | High impedance | M-E                                |
| P51 <sup>Note 2</sup>   |     | D5                 |   |                  |                |                                    |
| P52 <sup>Note 2</sup>   |     | D6                 |   |                  |                |                                    |
| P53 <sup>Note 2</sup>   |     | D7                 |   |                  |                |                                    |
| P60                     | I/O | KR0/AN4            | This is a programmable 4-bit I/O port (PORT6). Input and output can be specified in single-bit units. Connections of on-chip pull-up resistors are software-specifiable in 4-bit units. | Not available    | Input          | <Y>-D                              |
| P61                     |     | KR1/AN5            |   |                  |                |                                    |
| P62                     |     | KR2/AN6            |   |                  |                |                                    |
| P63                     |     | KR3/AN7            |   |                  |                |                                    |
| P110                    | I   | AN0                | This is a 4-bit input port (PORT11).  | Not available    | Input          | Y-A                                |
| P111                    |     | AN1                |   |                  |                |                                    |
| P112                    |     | AN2                |   |                  |                |                                    |
| P113                    |     | AN3                |   |                  |                |                                    |

- Notes**
1. Circuit types enclosed in brackets indicate Schmitt triggered inputs.
  2. Low-level input current leakage increases when input instructions or bit manipulation instructions are executed.



3.2 Non-port Pins (1/2)

| Pin name          | I/O | Alternate function | Function  | After reset | Circuit type <sup>Note</sup> |
|-------------------|-----|--------------------|---|-------------|------------------------------|
| TI0               | I   | P13                | Inputs external event pulses to the timer/event counter.  | Input       | <B>-C                        |
| TI1               |     | P12/INT2           |   |             |                              |
| PTO0              | O   | P20                | Timer/event counter output  | Input       | E-B                          |
| PTO1              |     | P21                |   |             |                              |
| PCL               |     | P22                | Clock output  |             |                              |
| BUZ               |     | P23                | Optional frequency output (for buzzer output or system clock trimming)  |             |                              |
| SCK               | I/O | P01                | Serial clock I/O  | Input       | <F>-A                        |
| SO/SB0            |     | P02                | Serial data output<br>Serial data bus I/O   |             | <F>-B                        |
| SI/SB1            |     | P03                | Serial data input<br>Serial data bus I/O  |             | <M>-C                        |
| INT4              | I   | P00                | Edge detection vectored interrupt input (both rising edge and falling edge detection)   |             | <B>                          |
| INT0              | I   | P10                | Edge detection vectored interrupt input (detection edge can be selected). INT0/P10 can select a noise eliminator.   | Input       | <B>-C                        |
| INT1              |     | P11                |   |             |                              |
| INT2              |     | P12/TI1            | Rising edge detection testable input  |             |                              |
| KR0 to KR3        | I   | P60/AN4 to P63/AN7 | Falling edge detection testable input   | Input       | <Y>-D                        |
| AN0 to AN3        | I   | P110 to P113       | Analog signal input   | Input       | Y-A                          |
| AN4 to AN7        |     | P60/KR0 to P63/KR3 |   |             | <Y>-D                        |
| AV <sub>REF</sub> | —   | —                  | A/D converter reference voltage   | —           | Z-N                          |
| AV <sub>SS</sub>  | —   | —                  | A/D converter reference GND potential   | —           | Z-N                          |
| X1                | I   | —                  | Crystal/ceramic connection pin for the main system clock oscillator. When inputting the external clock, input the external clock to pin X1, and the inverted phase of the external clock to pin X2.   | —           | —                            |
| X2                | —   |                    |   |             |                              |
| XT1               | I   | —                  | Crystal connection pin for the subsystem clock oscillator. When the external clock is used, input the external clock to pin XT1, and the inverted phase of the external clock to pin XT2. <u>Pin XT1 can be used as a 1-bit input (test) pin.</u> | —           | —                            |
| XT2               | —   |                    |   |             |                              |
| RESET             | I   | —                  | System reset input (low-level active)   | —           | <B>                          |

**Note** Circuit types enclosed in brackets indicate Schmitt triggered inputs.

★

3.2 Non-port Pins (2/2)

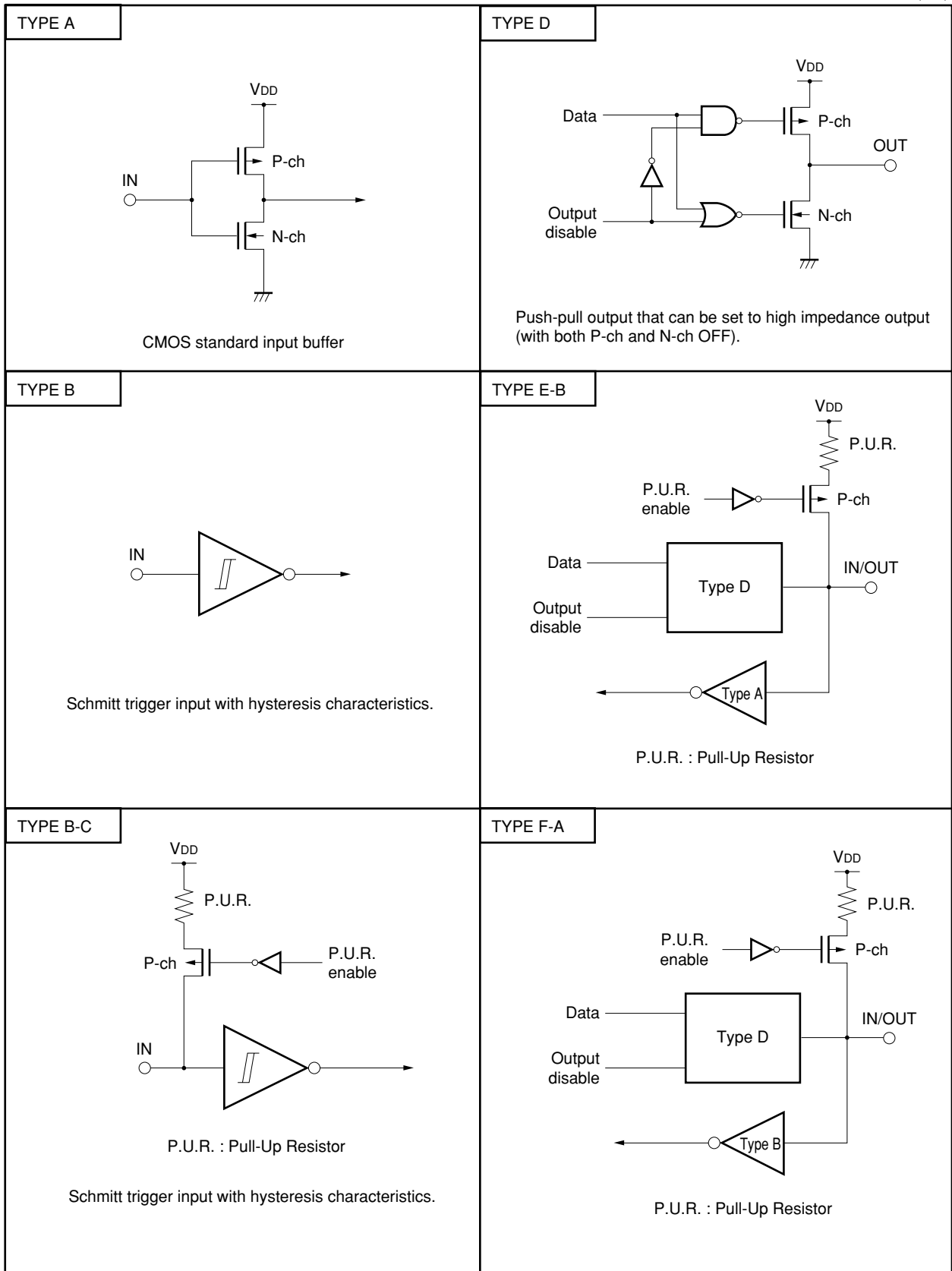
| Pin name             | I/O | Alternate function | Function   | After reset | Circuit type |
|----------------------|-----|--------------------|--|-------------|--------------|
| MD0 to MD3           | I   | P30 to 33          | Mode selection for program memory (PROM) write/verify.   | Input       | E-B          |
| ★ D0 to D3           | I/O | P40 to 43          | Data bus pin for program memory (PROM) write/verify.   | Input       | M-E          |
| ★ D4 to D7           |     | P50 to 53          |  |             |              |
| V <sub>PP</sub> Note | —   | —                  | Programmable voltage supply in program memory (PROM) write/verify mode.<br>In normal operation mode, connect directly to V <sub>DD</sub> .<br>Apply +12.5 V in PROM write/verify mode. | —           | —            |
| V <sub>DD</sub>      | —   | —                  | Positive power supply  | —           | —            |
| V <sub>SS</sub>      | —   | —                  | Ground   | —           | —            |

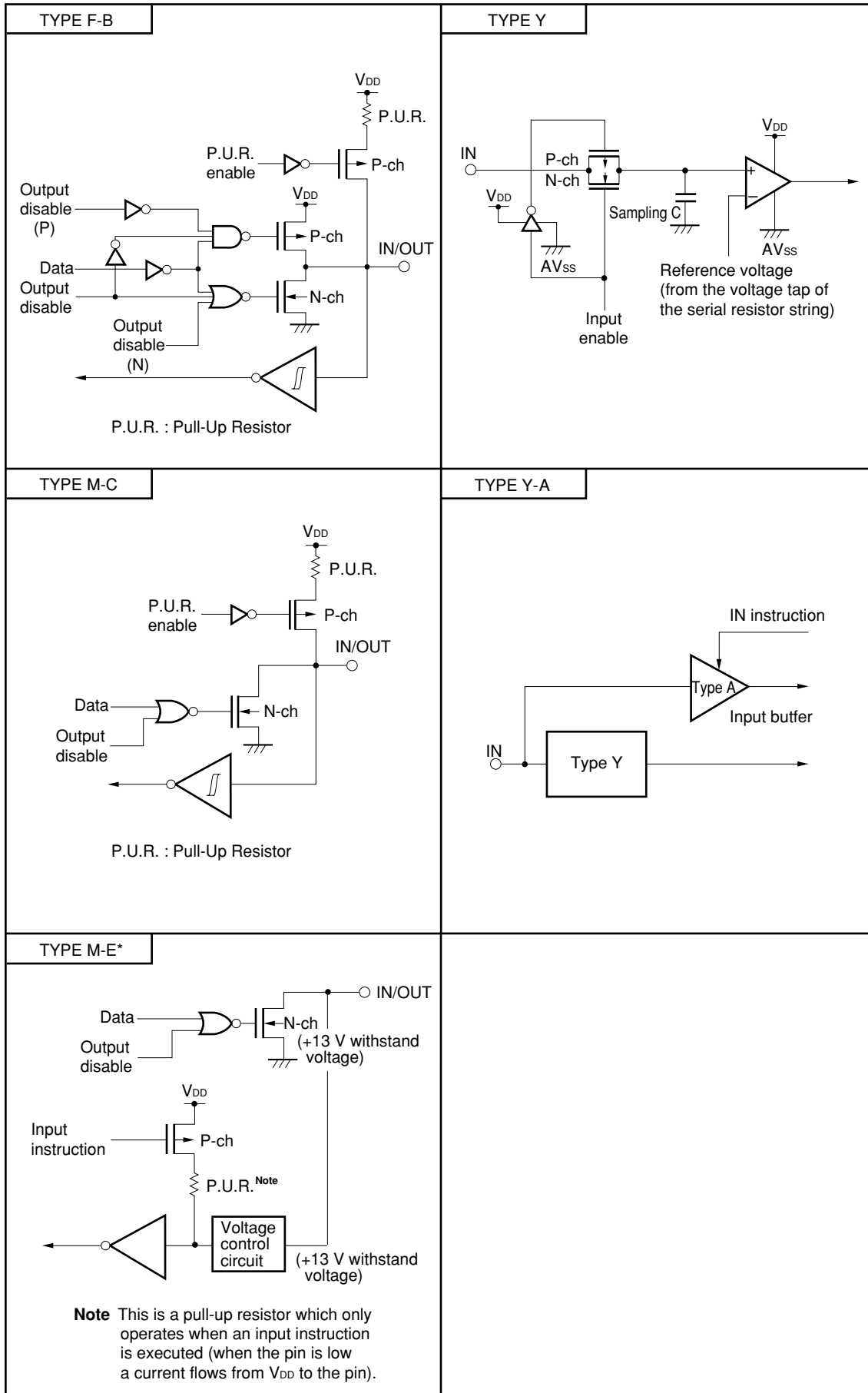
**Note** During normal operation, the V<sub>PP</sub> pin will not operate normally unless connected to V<sub>DD</sub> pin.

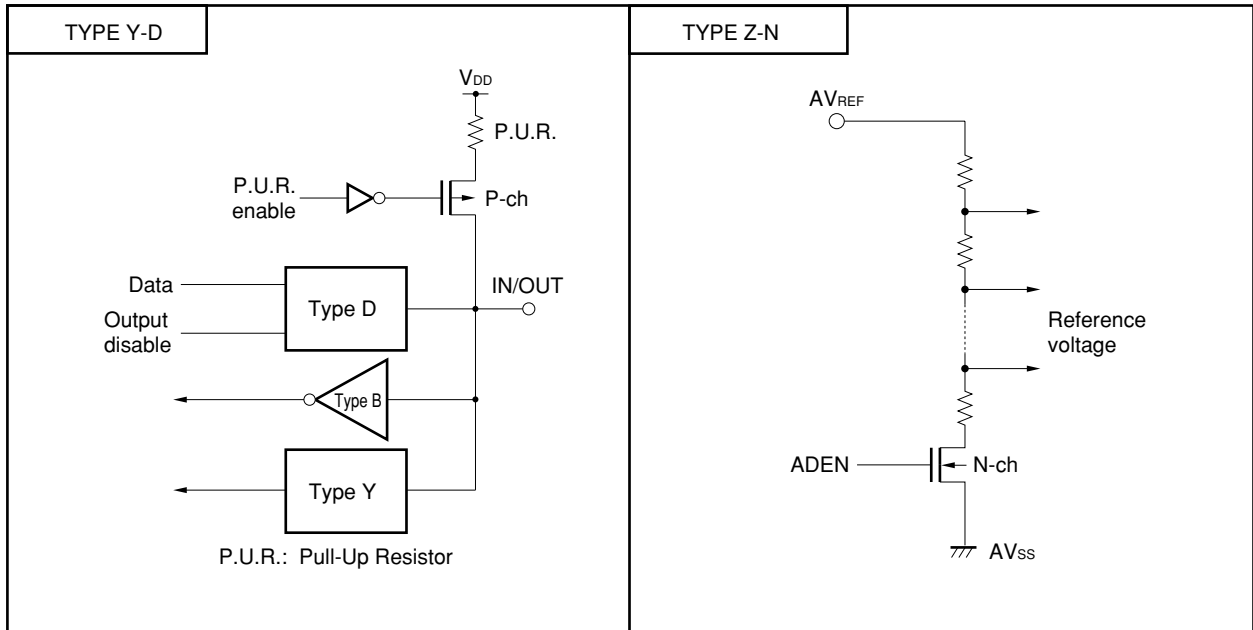
3.3 Equivalent Circuits for Pins

The equivalent circuits for the μPD75P0076's pin are shown in schematic diagrams below.

(1/3)







## ★ 3.4 Handling of Unused Pins

| Pin                        | Recommended connection   |
|----------------------------|--|
| P00/INT4                   | Connect to V <sub>SS</sub> or V <sub>DD</sub>  |
| P01/ $\overline{SCK}$      | Independently connect to V <sub>SS</sub> or V <sub>DD</sub> through resistor   |
| P02/SO/SB0                 |  |
| P03/SI/SB1                 | Connected to V <sub>SS</sub>   |
| P10/INT0, P11/INT1         | Connect to V <sub>SS</sub> or V <sub>DD</sub>  |
| P12/TI1/INT2               |  |
| P13/TI0                    |  |
| P20/PTO0                   | Input mode : independently connected to V <sub>SS</sub><br>or V <sub>DD</sub> through resistor                           |
| P21/PTO1                   |  |
| P22/PCL                    | Output mode : open   |
| P23/BUZ                    |  |
| P30/MD0 to P33/MD3         |  |
| P40/D0 to P43/D3           | Connected to V <sub>SS</sub>   |
| P50/D4 to P53/D7           |  |
| P60/KR0/AN4 to P63/KR3/AN7 | Input mode : independently connected to V <sub>SS</sub><br>or V <sub>DD</sub> through resistor<br><br>Output mode : open |
| P110/AN0 to P113/AN3       | Connected to V <sub>SS</sub> or V <sub>DD</sub>  |
| XT1 <sup>Note</sup>        | Connect to V <sub>SS</sub> or V <sub>DD</sub>  |
| XT2 <sup>Note</sup>        | Open   |
| V <sub>PP</sub>            | Make sure to connect directly to V <sub>DD</sub>   |
| AV <sub>REF</sub>          | Connect to V <sub>SS</sub>   |
| AV <sub>SS</sub>           |  |

**Note** When the subsystem clock is not used, set SOS.0 = 1 (on-chip feedback resistor is not used).

#### 4. SWITCHING BETWEEN Mk I AND Mk II MODES

Setting a stack bank selection (SBS) register for the μPD75P0076 enables the program memory to be switched between the Mk I mode and the Mk II mode. This capability enables the evaluation of the μPD750064, 750066, and 750068 using the μPD75P0076.

When the SBS bit 3 is set to 1: sets Mk I mode (corresponds to Mk I mode of μPD750064, 750066, and 750068)

When the SBS bit 3 is set to 0: sets Mk II mode (corresponds to Mk II mode of μPD750064, 750066, and 750068)

##### 4.1 Differences between Mk I Mode and Mk II Mode

Table 4-1 lists the differences between the Mk I mode and the Mk II mode of the μPD75P0076.

**Table 4-1. Differences between Mk I Mode and Mk II Mode**

| Item                                 |                            | Mk I Mode                                  | Mk II Mode                                  |
|--------------------------------------|----------------------------|--|---|
| Program counter                      |                            | PC <sub>13 to 0</sub>                      |   |
| Program memory (bytes)               |                            | 16384                                      |   |
| Data memory (bits)                   |                            | 512 x 4                                    |   |
| Stack                                | Stack bank                 | Selectable from memory banks 0 and 1       |   |
|                                      | Stack bytes                | 2 bytes                                    | 3 bytes                                     |
| Instruction                          | BRA !addr1<br>CALLA !addr1 | Not provided                               | Provided                                    |
| Instruction execution time           | CALL !addr                 | 3 machine cycles                           | 4 machine cycles                            |
|                                      | CALLF !faddr               | 2 machine cycles                           | 3 machine cycles                            |
| Supported mask ROM versions and mode |                            | Mk I mode of μPD750064, 750066, and 750068 | Mk II mode of μPD750064, 750066, and 750068 |

★ **Caution** The Mk II mode supports a program area which exceeds 16K bytes in the 75X and 75XL series. This mode enhances the software compatibility with products which have more than 16K bytes. When the Mk II mode is selected, the number of stack bytes used in execution of a subroutine call instruction increases by 1 per stack for the usable area compared to the Mk I mode. Furthermore, when a CALL !addr, or CALLF !faddr instruction is used, each instruction takes another machine cycle. Therefore, when more importance is attached to RAM utilization or throughput than software compatibility, use the Mk I mode.

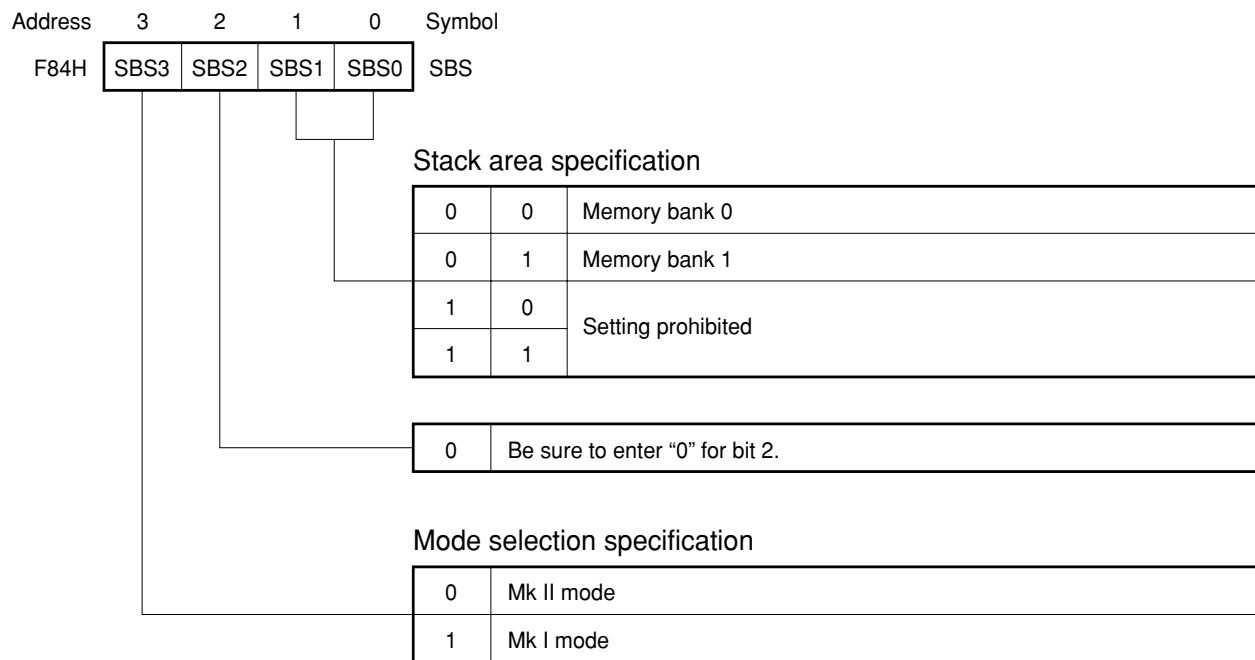
### 4.2 Setting of Stack Bank Selection (SBS) Register

Use the stack bank selection register to switch between the Mk I mode and the Mk II mode. Figure 4-1 shows the format for doing this.

The stack bank selection register is set using a 4-bit memory manipulation instruction. When using the Mk I mode, be sure to initialize the stack bank selection register to 100xB<sup>Note</sup> at the beginning of the program. When using the Mk II mode, be sure to initialize it to 000xB<sup>Note</sup>.

**Note** Set the desired value for x.

**Figure 4-1. Format of Stack Bank Selection Register**



- Cautions**
1. SBS3 is set to "1" after  $\overline{\text{RESET}}$  input, and consequently the CPU operates in the Mk I mode. When using instructions for the Mk II mode, set SBS3 to "0" to enter the Mk II mode before using the instructions.
  2. When using the Mk II mode, execute a subroutine call instruction and an interrupt instruction after  $\overline{\text{RESET}}$  input and after setting the stack bank selection register.



**5. DIFFERENCES BETWEEN μPD75P0076 AND μPD750064, 750066 AND 750068**

The μPD75P0076 replaces the internal mask ROM in the μPD750064, 750066, and 750068 with a one-time PROM and features expanded ROM capacity. The μPD75P0076's Mk I mode supports the Mk I mode in the μPD750064, 750066, and 750068 and the μPD75P0076's Mk II mode supports the Mk II mode in the μPD750064, 750066, and 750068. Table 5-1 lists differences among the μPD75P0076 and the μPD750064, 750066, 750068. Be sure to check the differences between corresponding versions beforehand, especially when a PROM version is used for debugging or prototype testing of application systems and later the corresponding mask ROM version is used for full-scale production. For further description of CPU functions and internal hardware, see the **μPD750064 and 750068 Preliminary Product Information (U10165E)**.

★

**Table 5-1. Differences between μPD75P0076 and μPD750064, 750066, 750068**

| Item                   |                                      | μPD750064   | μPD750066        | μPD750068        | μPD75P0076                                  |
|------------------------|--------------------------------------|---|------------------|------------------|---|
| Program counter        |                                      | 12-bit  |                  | 13-bit           | 14-bit                                      |
| Program memory (bytes) |                                      | Mask ROM<br>4096  | Mask ROM<br>6144 | Mask ROM<br>8192 | One-time PROM<br>16384                      |
| Data memory (x 4 bits) |                                      | 512   |                  |                  |   |
| Mask options           | Pull-up resistor for ports 4 and 5   | Yes (on-chip specifiable)   |                  |                  | No (off chip)                               |
|                        | Wait time when RESET                 | Yes ( $2^{17}/f_x$ , $2^{15}/f_x$ selectable) <sup>Note</sup>   |                  |                  | No (fixed at $2^{15}/f_x$ ) <sup>Note</sup> |
|                        | Feedback resistor of subsystem clock | Yes (Use/not use selectable)  |                  |                  | No (Use)                                    |
| Pin configuration      | Pins 6 to 9                          | P33 to P30  |                  |                  | P33/MD3 to P30/MD0                          |
|                        | Pin 20                               | IC  |                  |                  | VPP   |
|                        | Pins 34 to 37                        | P53 to P50  |                  |                  | P53/D7 to P53/D4                            |
|                        | Pins 38 to 41                        | P43 to P40  |                  |                  | P43/D3 to P40/D0                            |
| Other                  |                                      | Noise resistance and noise radiation may differ due to different circuit complexities and mask layouts. |                  |                  |   |

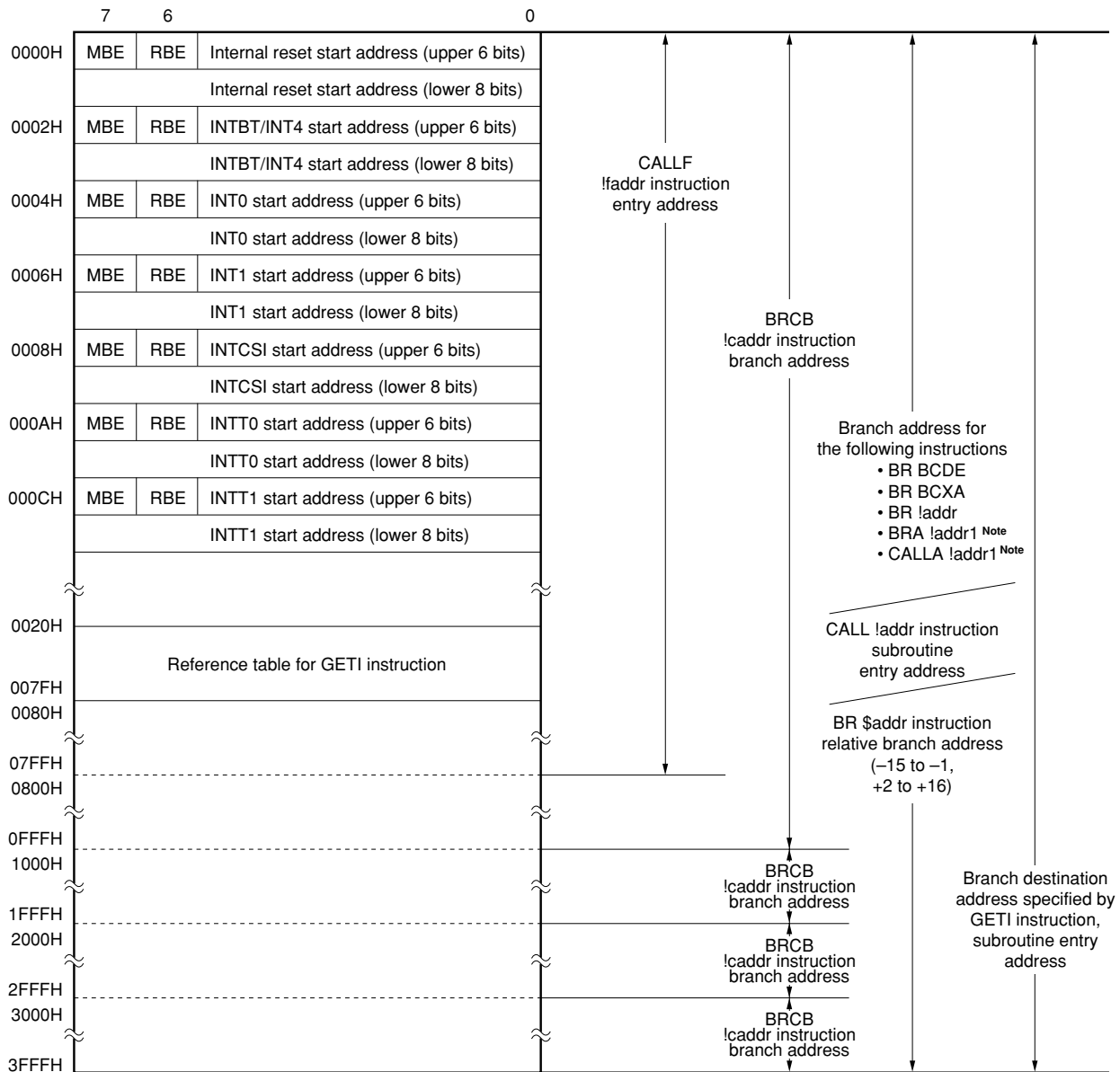
**Note**  $2^{17}/f_x$  is 21.8 ms in 6.0 MHz operation and 31.3 ms in 4.19 MHz operation.

$2^{15}/f_x$  is 5.46 ms in 6.0 MHz operation and 7.81 ms in 4.19 MHz operation.

**Caution** Noise resistance and noise radiation are different in PROM version and mask ROM versions. If using a mask ROM version instead of the PROM version for processes between prototype development and full production, be sure to fully evaluate the CS of the mask ROM version (not ES).

6. MEMORY CONFIGURATION

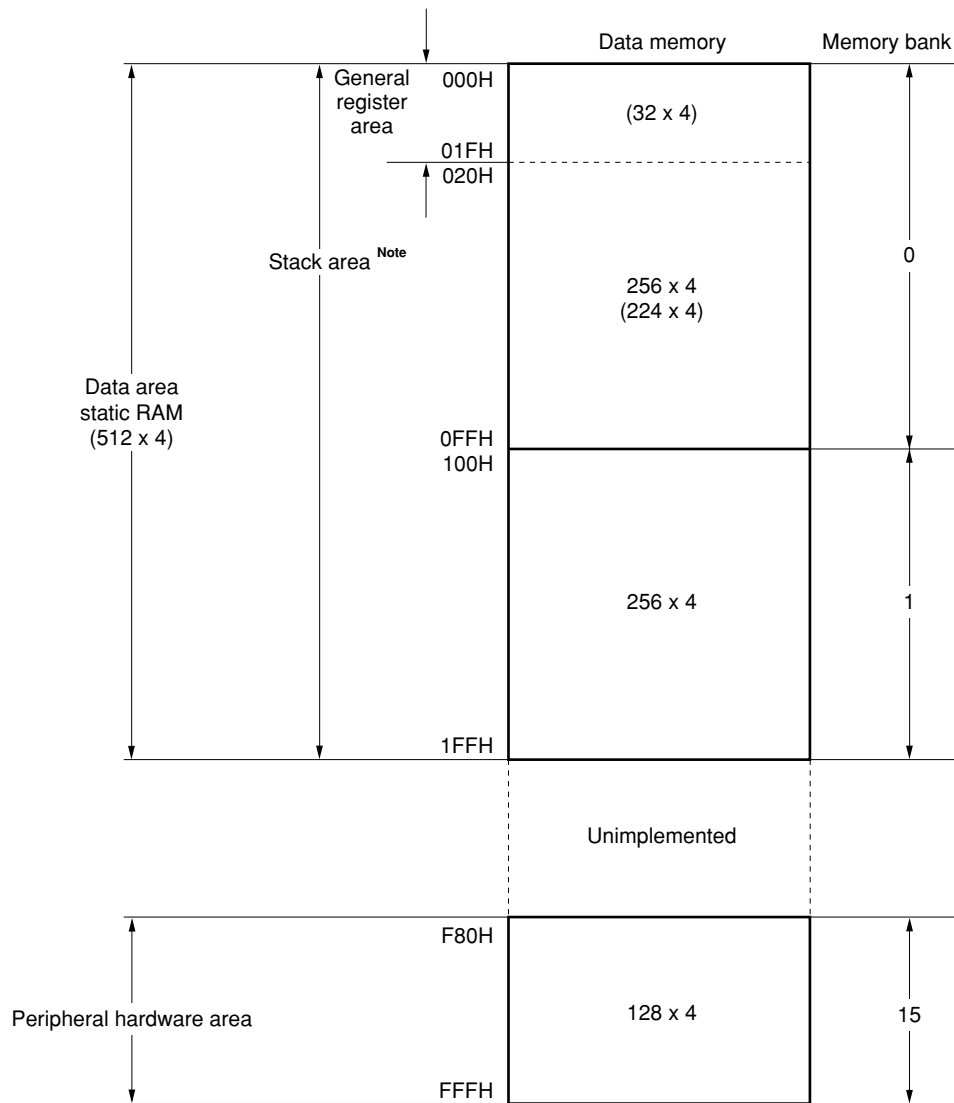
Figure 6-1. Program Memory Map



★ **Note** Can be used only in Mk II mode.

**Remark** For instructions other than those noted above, the “BR PCDE” and “BR PCXA” instructions can be used to branch to addresses with changes in the PC’s lower 8 bits only.

Figure 6-2. Data Memory Map



**Note** Either memory bank 0 or 1 can be selected as the stack area.

## 7. INSTRUCTION SET

### (1) Representation and coding formats for operands

In the instruction's operand area, use the following coding format to describe operands corresponding to the instruction's operand representations (for further description, see the **RA75X Assembler Package User's Manual—Language (EEU-1363)**). When there are several codes, select and use just one. Uppercase letters, and + and – symbols are key words that should be entered as they are.

For immediate data, enter an appropriate numerical value or label.

Instead of mem, fmem, pmem, bit, etc., a register flag symbol can be described as a label descriptor (for further description, see the **μPD750068 User's Manual (U10670E)**). Labels that can be entered for fmem and pmem are restricted.

| Representation | Coding format  |
|----------------|--|
| reg            | X, A, B, C, D, E, H, L                                     |
| reg1           | X, B, C, D, E, H, L  |
| rp             | XA, BC, DE, HL   |
| rp1            | BC, DE, HL   |
| rp2            | BC, DE   |
| rp'            | XA, BC, DE, HL, XA', BC', DE', HL'                         |
| rp'1           | BC, DE, HL, XA', BC', DE', HL'                             |
| rpa            | HL, HL+, HL–, DE, DL                                       |
| rpa1           | DE, DL   |
| n4             | 4-bit immediate data or label                              |
| n8             | 8-bit immediate data or label                              |
| mem            | 8-bit immediate data or label <sup>Note</sup>              |
| bit            | 2-bit immediate data or label                              |
| fmem           | FB0H to FBFH, FF0H to FFFH immediate data or label         |
| pmem           | FC0H to FFFH immediate data or label                       |
| addr           | 0000H to 3FFFH immediate data or label                     |
| addr1          | 000H to 3FFFH immediate data or label (in Mk II mode only) |
| caddr          | 12-bit immediate data or label                             |
| faddr          | 11-bit immediate data or label                             |
| taddr          | 20H to 7FH immediate data (however, bit0 = 0) or label     |
| PORTn          | PORT0 to PORT6, PORT11                                     |
| IEXXX          | IEBT, IECSI, IET0, IET1, IE0 to IE2, IE4, IEW              |
| RBn            | RB0 to RB3   |
| MBn            | MB0, MB1, MB15   |

**Note** When processing 8-bit data, only even addresses can be specified.

**(2) Operation legend**

|                   |   |
|-------------------|---|
| A                 | : A register; 4-bit accumulator         |
| B                 | : B register                            |
| C                 | : C register                            |
| D                 | : D register                            |
| E                 | : E register                            |
| H                 | : H register                            |
| L                 | : L register                            |
| X                 | : X register                            |
| XA                | : Register pair (XA); 8-bit accumulator |
| BC                | : Register pair (BC)                    |
| DE                | : Register pair (DE)                    |
| HL                | : Register pair (HL)                    |
| XA'               | : Expansion register pair (XA')         |
| BC'               | : Expansion register pair (BC')         |
| DE'               | : Expansion register pair (DE')         |
| HL'               | : Expansion register pair (HL')         |
| PC                | : Program counter                       |
| SP                | : Stack pointer                         |
| CY                | : Carry flag; bit accumulator           |
| PSW               | : Program status word                   |
| MBE               | : Memory bank enable flag               |
| RBE               | : Register bank enable flag             |
| PORT <sub>n</sub> | : Port n (n = 0 to 6, 11)               |
| IME               | : Interrupt master enable flag          |
| IPS               | : Interrupt priority select register    |
| IE <sub>xxx</sub> | : Interrupt enable flag                 |
| RBS               | : Register bank select register         |
| MBS               | : Memory bank select register           |
| PCC               | : Processor clock control register      |
| .                 | : Delimiter for address and bit         |
| (xx)              | : Contents of address xx                |
| xxH               | : Hexadecimal data                      |

(3) Description of symbols used in addressing area

|     |   |  |
|-----|---|--|
| *1  | MB = MBE • MBS<br>MBS = 0, 1, 15  |  |
| *2  | MB = 0  |  |
| *3  | MBE = 0 : MB = 0 (000H to 07FH)<br>MB = 15 (F80H to FFFH)<br>MBE = 1 : MB = MBS<br>MBS = 0, 1, 15   |  |
| *4  | MB = 15, fmem = FB0H to FBFH, FF0H to FFFH  |  |
| *5  | MB = 15, pmem = FC0H to FFFH  |  |
| *6  | addr = 0000H to 3FFFH   |  |
| *7  | addr, addr1 = (Current PC) -15 to (Current PC) -1<br>(Current PC) +2 to (Current PC) +16  |  |
| *8  | caddr = 0000H to 0FFFH (PC13, 12 = 00B) or<br>1000H to 1FFFH (PC13, 12 = 01B) or<br>2000H to 2FFFH (PC13, 12 = 10B) or<br>3000H to 3FFFH (PC13, 12 = 11B) |  |
| *9  | faddr = 0000H to 07FFH  |  |
| *10 | taddr = 0020H to 007FH  |  |
| *11 | addr1 = 0000H to 3FFFH (Mk II mode only)  |  |

- Remarks**
1. MB indicates access-enabled memory banks.
  2. In area \*2, MB = 0 for both MBE and MBS.
  3. In areas \*4 and \*5, MB = 15 for both MBE and MBS.
  4. Areas \*6 to \*11 indicate corresponding address-enabled areas.

**(4) Description of machine cycles**

S indicates the number of machine cycles required for skipping of skip-specified instructions. The value of S varies as shown below.

- No skip ..... S = 0
- Skipped instruction is 1-byte or 2-byte instruction ..... S = 1
- Skipped instruction is 3-byte instruction<sup>Note</sup> ..... S = 2

**Note** 3-byte instructions: BR !addr, BRA !addr1, CALL !addr, CALLA !addr1

**Caution** The GETI instruction is skipped for one machine cycle.

One machine cycle equals one cycle (=  $t_{CY}$ ) of the CPU clock  $\Phi$ . Use the PCC setting to select among four cycle times.

| Group     | Mnemonic        | Operand   | No. of bytes | Machine cycle | Operation  | Addressing area                        | Skip condition  |  |
|-----------|-----------------|-----------|--------------|---------------|--|--|-----------------|--|
| Transfer  | MOV             | A, #n4    | 1            | 1             | $A \leftarrow n4$                                    |  | String-effect A |  |
|           |                 | reg1, #n4 | 2            | 2             | $reg1 \leftarrow n4$                                 |  |                 |  |
|           |                 | XA, #n8   | 2            | 2             | $XA \leftarrow n8$                                   |  | String-effect A |  |
|           |                 | HL, #n8   | 2            | 2             | $HL \leftarrow n8$                                   |  | String-effect B |  |
|           |                 | rp2, #n8  | 2            | 2             | $rp2 \leftarrow n8$                                  |  |                 |  |
|           |                 | A, @HL    | 1            | 1             | $A \leftarrow (HL)$                                  | *1                                     |                 |  |
|           |                 | A, @HL+   | 1            | 2 + S         | $A \leftarrow (HL)$ , then $L \leftarrow L + 1$      | *1                                     | L = 0           |  |
|           |                 | A, @HL-   | 1            | 2 + S         | $A \leftarrow (HL)$ , then $L \leftarrow L - 1$      | *1                                     | L = FH          |  |
|           |                 | A, @rpa1  | 1            | 1             | $A \leftarrow (rpa1)$                                | *2                                     |                 |  |
|           |                 | XA, @HL   | 2            | 2             | $XA \leftarrow (HL)$                                 | *1                                     |                 |  |
|           |                 | @HL, A    | 1            | 1             | $(HL) \leftarrow A$                                  | *1                                     |                 |  |
|           |                 | @HL, XA   | 2            | 2             | $(HL) \leftarrow XA$                                 | *1                                     |                 |  |
|           |                 | A, mem    | 2            | 2             | $A \leftarrow (mem)$                                 | *3                                     |                 |  |
|           |                 | XA, mem   | 2            | 2             | $XA \leftarrow (mem)$                                | *3                                     |                 |  |
|           |                 | mem, A    | 2            | 2             | $(mem) \leftarrow A$                                 | *3                                     |                 |  |
|           |                 | mem, XA   | 2            | 2             | $(mem) \leftarrow XA$                                | *3                                     |                 |  |
|           |                 | A, reg1   | 2            | 2             | $A \leftarrow reg1$                                  |  |                 |  |
|           |                 | XA, rp'   | 2            | 2             | $XA \leftarrow rp'$                                  |  |                 |  |
|           |                 | reg1, A   | 2            | 2             | $reg1 \leftarrow A$                                  |  |                 |  |
|           |                 | rp'1, XA  | 2            | 2             | $rp'1 \leftarrow XA$                                 |  |                 |  |
|           | XCH             | A, @HL    | 1            | 1             | $A \leftrightarrow (HL)$                             | *1                                     |                 |  |
|           |                 | A, @HL+   | 1            | 2 + S         | $A \leftrightarrow (HL)$ , then $L \leftarrow L + 1$ | *1                                     | L = 0           |  |
|           |                 | A, @HL-   | 1            | 2 + S         | $A \leftrightarrow (HL)$ , then $L \leftarrow L - 1$ | *1                                     | L = FH          |  |
|           |                 | A, @rpa1  | 1            | 1             | $A \leftrightarrow (rpa1)$                           | *2                                     |                 |  |
|           |                 | XA, @HL   | 2            | 2             | $XA \leftrightarrow (HL)$                            | *1                                     |                 |  |
|           |                 | A, mem    | 2            | 2             | $A \leftrightarrow (mem)$                            | *3                                     |                 |  |
|           |                 | XA, mem   | 2            | 2             | $XA \leftrightarrow (mem)$                           | *3                                     |                 |  |
|           |                 | A, reg1   | 1            | 1             | $A \leftrightarrow reg1$                             |  |                 |  |
|           | Table reference | MOVT      | XA, @PCDE    | 1             | 3  | $XA \leftarrow (PC_{13-8} + DE)_{ROM}$ |                 |  |
|           |                 |           | XA, @PCXA    | 1             | 3  | $XA \leftarrow (PC_{13-8} + XA)_{ROM}$ |                 |  |
| XA, @BCDE |                 |           | 1            | 3             | $XA \leftarrow (BCDE)_{ROM}^{Note}$                  | *11                                    |                 |  |
| XA, @BCXA |                 |           | 1            | 3             | $XA \leftarrow (BCXA)_{ROM}^{Note}$                  | *11                                    |                 |  |

**Note** As for the B register, only the lower 2 bits are valid.



| Group        | Mnemonic | Operand          | No. of bytes | Machine cycle                    | Operation   | Addressing area | Skip condition |
|--------------|----------|------------------|--------------|----------------------------------|---|-----------------|----------------|
| Bit transfer | MOV1     | CY, fmem.bit     | 2            | 2                                | $CY \leftarrow (fmem.bit)$                          | *4              |                |
|              |          | CY, pmem.@L      | 2            | 2                                | $CY \leftarrow (pmem_{7-2} + L_{3-2}.bit(L_{1-0}))$ | *5              |                |
|              |          | CY, @H + mem.bit | 2            | 2                                | $CY \leftarrow (H + mem_{3-0}.bit)$                 | *1              |                |
|              |          | fmem.bit, CY     | 2            | 2                                | $(fmem.bit) \leftarrow CY$                          | *4              |                |
|              |          | pmem.@L, CY      | 2            | 2                                | $(pmem_{7-2} + L_{3-2}.bit(L_{1-0})) \leftarrow CY$ | *5              |                |
|              |          | @H + mem.bit, CY | 2            | 2                                | $(H + mem_{3-0}.bit) \leftarrow CY$                 | *1              |                |
| Operation    | ADDS     | A, #n4           | 1            | 1 + S                            | $A \leftarrow A + n4$                               |                 | carry          |
|              |          | XA, #n8          | 2            | 2 + S                            | $XA \leftarrow XA + n8$                             |                 | carry          |
|              |          | A, @HL           | 1            | 1 + S                            | $A \leftarrow A + (HL)$                             | *1              | carry          |
|              |          | XA, rp'          | 2            | 2 + S                            | $XA \leftarrow XA + rp'$                            |                 | carry          |
|              |          | rp'1, XA         | 2            | 2 + S                            | $rp'1 \leftarrow rp'1 + XA$                         |                 | carry          |
|              | ADDC     | A, @HL           | 1            | 1                                | $A, CY \leftarrow A + (HL) + CY$                    | *1              |                |
|              |          | XA, rp'          | 2            | 2                                | $XA, CY \leftarrow XA + rp' + CY$                   |                 |                |
|              |          | rp'1, XA         | 2            | 2                                | $rp'1, CY \leftarrow rp'1 + XA + CY$                |                 |                |
|              | SUBS     | A, @HL           | 1            | 1 + S                            | $A \leftarrow A - (HL)$                             | *1              | borrow         |
|              |          | XA, rp'          | 2            | 2 + S                            | $XA \leftarrow XA - rp'$                            |                 | borrow         |
|              |          | rp'1, XA         | 2            | 2 + S                            | $rp'1 \leftarrow rp'1 - XA$                         |                 | borrow         |
|              | SUBC     | A, @HL           | 1            | 1                                | $A, CY \leftarrow A - (HL) - CY$                    | *1              |                |
|              |          | XA, rp'          | 2            | 2                                | $XA, CY \leftarrow XA - rp' - CY$                   |                 |                |
|              |          | rp'1, XA         | 2            | 2                                | $rp'1, CY \leftarrow rp'1 - XA - CY$                |                 |                |
|              | AND      | A, #n4           | 2            | 2                                | $A \leftarrow A \wedge n4$                          |                 |                |
|              |          | A, @HL           | 1            | 1                                | $A \leftarrow A \wedge (HL)$                        | *1              |                |
|              |          | XA, rp'          | 2            | 2                                | $XA \leftarrow XA \wedge rp'$                       |                 |                |
|              |          | rp'1, XA         | 2            | 2                                | $rp'1 \leftarrow rp'1 \wedge XA$                    |                 |                |
|              | OR       | A, #n4           | 2            | 2                                | $A \leftarrow A \vee n4$                            |                 |                |
|              |          | A, @HL           | 1            | 1                                | $A \leftarrow A \vee (HL)$                          | *1              |                |
|              |          | XA, rp'          | 2            | 2                                | $XA \leftarrow XA \vee rp'$                         |                 |                |
|              |          | rp'1, XA         | 2            | 2                                | $rp'1 \leftarrow rp'1 \vee XA$                      |                 |                |
|              | XOR      | A, #n4           | 2            | 2                                | $A \leftarrow A \oplus n4$                          |                 |                |
|              |          | A, @HL           | 1            | 1                                | $A \leftarrow A \oplus (HL)$                        | *1              |                |
| XA, rp'      |          | 2                | 2            | $XA \leftarrow XA \oplus rp'$    |   |                 |                |
| rp'1, XA     |          | 2                | 2            | $rp'1 \leftarrow rp'1 \oplus XA$ |   |                 |                |

| Group                  | Mnemonic | Operand  | No. of bytes | Machine cycle | Operation  | Addressing area | Skip condition |
|------------------------|----------|----------|--------------|---------------|--|-----------------|----------------|
| Accumulator manipulate | RORC     | A        | 1            | 1             | $CY \leftarrow A_0, A_3 \leftarrow CY, A_{n-1} \leftarrow A_n$ |                 |                |
|                        | NOT      | A        | 2            | 2             | $A \leftarrow \bar{A}$   |                 |                |
| Increment/decrement    | INCS     | reg      | 1            | 1 + S         | $reg \leftarrow reg + 1$                                       |                 | reg = 0        |
|                        |          | rp1      | 1            | 1 + S         | $rp1 \leftarrow rp1 + 1$                                       |                 | rp1 = 00H      |
|                        |          | @HL      | 2            | 2 + S         | $(HL) \leftarrow (HL) + 1$                                     | *1              | (HL) = 0       |
|                        |          | mem      | 2            | 2 + S         | $(mem) \leftarrow (mem) + 1$                                   | *3              | (mem) = 0      |
|                        | DECS     | reg      | 1            | 1 + S         | $reg \leftarrow reg - 1$                                       |                 | reg = FH       |
|                        |          | rp'      | 2            | 2 + S         | $rp' \leftarrow rp' - 1$                                       |                 | rp' = FFH      |
| Compare                | SKE      | reg, #n4 | 2            | 2 + S         | Skip if reg = n4   |                 | reg = n4       |
|                        |          | @HL, #n4 | 2            | 2 + S         | Skip if (HL) = n4  | *1              | (HL) = n4      |
|                        |          | A, @HL   | 1            | 1 + S         | Skip if A = (HL)   | *1              | A = (HL)       |
|                        |          | XA, @HL  | 2            | 2 + S         | Skip if XA = (HL)  | *1              | XA = (HL)      |
|                        |          | A, reg   | 2            | 2 + S         | Skip if A = reg  |                 | A = reg        |
|                        |          | XA, rp'  | 2            | 2 + S         | Skip if XA = rp'   |                 | XA = rp'       |
| Carry flag manipulate  | SET1     | CY       | 1            | 1             | $CY \leftarrow 1$  |                 |                |
|                        | CLR1     | CY       | 1            | 1             | $CY \leftarrow 0$  |                 |                |
|                        | SKT      | CY       | 1            | 1 + S         | Skip if CY = 1   |                 | CY = 1         |
|                        | NOT1     | CY       | 1            | 1             | $CY \leftarrow \overline{CY}$                                  |                 |                |

| Group                 | Mnemonic         | Operand          | No. of bytes | Machine cycle                        | Operation                                       | Addressing area | Skip condition   |
|-----------------------|------------------|------------------|--------------|--------------------------------------|---|-----------------|------------------|
| Memory bit manipulate | SET1             | mem.bit          | 2            | 2                                    | (mem.bit) ← 1                                   | *3              |                  |
|                       |                  | fmem.bit         | 2            | 2                                    | (fmem.bit) ← 1                                  | *4              |                  |
|                       |                  | pmem.@L          | 2            | 2                                    | (pmem7-2 + L3-2.bit(L1-0)) ← 1                  | *5              |                  |
|                       |                  | @H + mem.bit     | 2            | 2                                    | (H + mem3-0.bit) ← 1                            | *1              |                  |
|                       | CLR1             | mem.bit          | 2            | 2                                    | (mem.bit) ← 0                                   | *3              |                  |
|                       |                  | fmem.bit         | 2            | 2                                    | (fmem.bit) ← 0                                  | *4              |                  |
|                       |                  | pmem.@L          | 2            | 2                                    | (pmem7-2 + L3-2.bit(L1-0)) ← 0                  | *5              |                  |
|                       |                  | @H + mem.bit     | 2            | 2                                    | (H + mem3-0.bit) ← 0                            | *1              |                  |
|                       | SKT              | mem.bit          | 2            | 2 + S                                | Skip if(mem.bit) = 1                            | *3              | (mem.bit) = 1    |
|                       |                  | fmem.bit         | 2            | 2 + S                                | Skip if(fmem.bit) = 1                           | *4              | (fmem.bit) = 1   |
|                       |                  | pmem.@L          | 2            | 2 + S                                | Skip if(pmем7-2 + L3-2.bit(L1-0)) = 1           | *5              | (pmem.@L) = 1    |
|                       |                  | @H + mem.bit     | 2            | 2 + S                                | Skip if(H + mem3-0.bit) = 1                     | *1              | (@H+mem.bit) = 1 |
|                       | SKF              | mem.bit          | 2            | 2 + S                                | Skip if(mem.bit) = 0                            | *3              | (mem.bit) = 0    |
|                       |                  | fmem.bit         | 2            | 2 + S                                | Skip if(fmem.bit) = 0                           | *4              | (fmem.bit) = 0   |
|                       |                  | pmem.@L          | 2            | 2 + S                                | Skip if(pmем7-2 + L3-2.bit(L1-0)) = 0           | *5              | (pmem.@L) = 0    |
|                       |                  | @H + mem.bit     | 2            | 2 + S                                | Skip if(H + mem3-0.bit) = 0                     | *1              | (@H+mem.bit) = 0 |
|                       | SKTCLR           | fmem.bit         | 2            | 2 + S                                | Skip if(fmem.bit) = 1 and clear                 | *4              | (fmem.bit) = 1   |
|                       |                  | pmem.@L          | 2            | 2 + S                                | Skip if(pmем7-2 + L3-2.bit(L1-0)) = 1 and clear | *5              | (pmem.@L) = 1    |
|                       |                  | @H + mem.bit     | 2            | 2 + S                                | Skip if(H + mem3-0.bit) = 1 and clear           | *1              | (@H+mem.bit) = 1 |
|                       | AND1             | CY, fmem.bit     | 2            | 2                                    | CY ← CY ∧ (fmem.bit)                            | *4              |                  |
|                       |                  | CY, pmem.@L      | 2            | 2                                    | CY ← CY ∧ (pmem7-2 + L3-2.bit(L1-0))            | *5              |                  |
|                       |                  | CY, @H + mem.bit | 2            | 2                                    | CY ← CY ∧ (H + mem3-0.bit)                      | *1              |                  |
|                       | OR1              | CY, fmem.bit     | 2            | 2                                    | CY ← CY ∨ (fmem.bit)                            | *4              |                  |
|                       |                  | CY, pmem.@L      | 2            | 2                                    | CY ← CY ∨ (pmem7-2 + L3-2.bit(L1-0))            | *5              |                  |
| CY, @H + mem.bit      |                  | 2                | 2            | CY ← CY ∨ (H + mem3-0.bit)           | *1  |                 |                  |
| XOR1                  | CY, fmem.bit     | 2                | 2            | CY ← CY ⊕ (fmem.bit)                 | *4  |                 |                  |
|                       | CY, pmem.@L      | 2                | 2            | CY ← CY ⊕ (pmem7-2 + L3-2.bit(L1-0)) | *5  |                 |                  |
|                       | CY, @H + mem.bit | 2                | 2            | CY ← CY ⊕ (H + mem3-0.bit)           | *1  |                 |                  |

| Group  | Mnemonic             | Operand               | No. of bytes | Machine cycle   | Operation  | Addressing area            | Skip condition |
|--------|----------------------|-----------------------|--------------|---|--|----------------------------|----------------|
| Branch | BR <sup>Note 1</sup> | addr                  | —            | —   | PC <sub>13-0</sub> ← addr<br>( Assembler selects the most appropriate instruction among the following:<br>• BR !addr<br>• BRCB !caddr<br>• BR \$addr )                   | *6                         |                |
|        |                      | addr1                 | —            | —   | PC <sub>13-0</sub> ← addr1<br>( Assembler selects the most appropriate instruction among the following:<br>• BRA !addr1<br>• BR !addr<br>• BRCB !caddr<br>• BR \$addr1 ) | *11                        |                |
|        |                      | !addr                 | 3            | 3   | PC <sub>13-0</sub> ← addr  | *6                         |                |
|        |                      | \$addr                | 1            | 2   | PC <sub>13-0</sub> ← addr  | *7                         |                |
|        |                      | \$addr1               | 1            | 2   | PC <sub>13-0</sub> ← addr1   |                            |                |
|        |                      | PCDE                  | 2            | 3   | PC <sub>13-0</sub> ← PC <sub>13-8</sub> + DE   |                            |                |
|        |                      | PCXA                  | 2            | 3   | PC <sub>13-0</sub> ← PC <sub>13-8</sub> + XA   |                            |                |
|        |                      | BCDE                  | 2            | 3   | PC <sub>13-0</sub> ← BCDE <sup>Note 2</sup>  | *6                         |                |
|        |                      | BCXA                  | 2            | 3   | PC <sub>13-0</sub> ← BCXA <sup>Note 2</sup>  | *6                         |                |
|        |                      | BRA <sup>Note 1</sup> | !addr1       | 3   | 3  | PC <sub>13-0</sub> ← addr1 | *11            |
| BRCB   | !caddr               | 2                     | 2            | PC <sub>13-0</sub> ← PC <sub>13, 12</sub> + caddr <sub>11-0</sub> | *8   |                            |                |

- Notes** 1. Double boxes indicate support for the Mk II mode only. Other areas indicate support for the Mk I mode only.  
 2. As for the B register, only the lower 2 bits are valid.

| Group                    | Mnemonic              | Operand | No. of bytes | Machine cycle   | Operation  | Addressing area | Skip condition |
|--------------------------|-----------------------|---------|--------------|---|--|-----------------|----------------|
| Subroutine stack control | CALLA <sup>Note</sup> | laddr1  | 3            | 3   | (SP - 6)(SP - 3)(SP - 4) ← PC <sub>11-0</sub><br>(SP - 5) ← 0, 0, PC <sub>13,12</sub><br>(SP - 2) ← X, X, MBE, RBE<br>PC <sub>13-0</sub> ← addr1, SP ← SP - 6        | *11             |                |
|                          | CALL <sup>Note</sup>  | laddr   | 3            | 3   | (SP - 4)(SP - 1)(SP - 2) ← PC <sub>11-0</sub><br>(SP - 3) ← MBE, RBE, PC <sub>13, 12</sub><br>PC <sub>13-0</sub> ← addr, SP ← SP - 4                                 | *6              |                |
|                          |                       |         |              | 4   | (SP - 6)(SP - 3)(SP - 4) ← PC <sub>11-0</sub><br>(SP - 5) ← 0, 0, PC <sub>13, 12</sub><br>(SP - 2) ← X, X, MBE, RBE<br>PC <sub>13-0</sub> ← addr, SP ← SP - 6        |                 |                |
|                          | CALLF <sup>Note</sup> | lfaddr  | 2            | 2   | (SP - 4)(SP - 1)(SP - 2) ← PC <sub>11-0</sub><br>(SP - 3) ← MBE, RBE, PC <sub>13, 12</sub><br>PC <sub>13-0</sub> ← 000 + faddr, SP ← SP - 4                          | *9              |                |
|                          |                       |         |              | 3   | (SP - 6)(SP - 3)(SP - 4) ← PC <sub>11-0</sub><br>(SP - 5) ← 0, 0, PC <sub>13, 12</sub><br>(SP - 2) ← X, X, MBE, RBE<br>PC <sub>13-0</sub> ← 000 + faddr, SP ← SP - 6 |                 |                |
| RET <sup>Note</sup>      |                       | 1       | 3            | MBE, RBE, PC <sub>13, 12</sub> ← (SP + 1)<br>PC <sub>11-0</sub> → (SP)(SP + 3)(SP + 2)<br>SP ← SP + 4<br>X, X, MBE, RBE ← (SP + 4)<br>PC <sub>11-0</sub> ← (SP)(SP + 3)(SP + 2)<br>0, 0, PC <sub>13, 12</sub> ← (SP + 1)<br>SP ← SP + 6   |  |                 |                |
| RETS <sup>Note</sup>     |                       | 1       | 3 + S        | MBE, RBE, PC <sub>13, 12</sub> ← (SP + 1)<br>PC <sub>11-0</sub> ← (SP)(SP + 3)(SP + 2)<br>SP ← SP + 4<br>then skip unconditionally<br>X, X, MBE, RBE ← (SP + 4)<br>PC <sub>11-0</sub> ← (SP)(SP + 3)(SP + 2)<br>0, 0, PC <sub>13, 12</sub> ← (SP + 1)<br>SP ← SP + 6<br>then skip unconditionally |  | Unconditional   |                |
| RETI                     |                       | 1       | 3            | MBE, RBE, PC <sub>13, 12</sub> ← (SP + 1)<br>PC <sub>11-0</sub> ← (SP)(SP + 3)(SP + 2)<br>PSW ← (SP + 4)(SP + 5), SP ← SP + 6<br>0, 0, PC <sub>13, 12</sub> ← SP + 1<br>PC <sub>11-0</sub> ← (SP)(SP + 3)(SP + 2)<br>PSW ← (SP + 4)(SP + 5), SP ← SP + 6  |  |                 |                |

**Note** Double boxes indicate support for the Mk II mode only. Other areas indicate support for the Mk I mode only.

| Group                    | Mnemonic                  | Operand   | No. of bytes | Machine cycle   | Operation   | Addressing area | Skip condition                       |                                      |
|--------------------------|---------------------------|-----------|--------------|---|---|-----------------|--------------------------------------|--------------------------------------|
| Subroutine stack control | PUSH                      | rp        | 1            | 1   | $(SP - 1)(SP - 2) \leftarrow rp, SP \leftarrow SP - 2$  |                 |                                      |                                      |
|                          |                           | BS        | 2            | 2   | $(SP - 1) \leftarrow MBS, (SP - 2) \leftarrow RBS, SP \leftarrow SP - 2$  |                 |                                      |                                      |
|                          | POP                       | rp        | 1            | 1   | $rp \leftarrow (SP + 1)(SP), SP \leftarrow SP + 2$  |                 |                                      |                                      |
|                          |                           | BS        | 2            | 2   | $MBS \leftarrow (SP + 1), RBS \leftarrow (SP), SP \leftarrow SP + 2$  |                 |                                      |                                      |
| Interrupt control        | EI                        |           | 2            | 2   | $IME(IPS.3) \leftarrow 1$   |                 |                                      |                                      |
|                          |                           | IEXXX     | 2            | 2   | $IEXXX \leftarrow 1$  |                 |                                      |                                      |
|                          | DI                        |           | 2            | 2   | $IME(IPS.3) \leftarrow 0$   |                 |                                      |                                      |
|                          |                           | IEXXX     | 2            | 2   | $IEXXX \leftarrow 0$  |                 |                                      |                                      |
| I/O                      | IN <sup>Note 1</sup>      | A, PORTn  | 2            | 2   | $A \leftarrow PORTn \quad (n = 0 \text{ to } 6, 11)$  |                 |                                      |                                      |
|                          |                           | XA, PORTn | 2            | 2   | $XA \leftarrow PORTn + 1, PORTn \quad (n = 4)$  |                 |                                      |                                      |
|                          | OUT <sup>Note 1</sup>     | PORTn, A  | 2            | 2   | $PORTn \leftarrow A \quad (n = 2 \text{ to } 6)$  |                 |                                      |                                      |
|                          |                           | PORTn, XA | 2            | 2   | $PORTn + 1, PORTn \leftarrow XA \quad (n = 4)$  |                 |                                      |                                      |
| CPU control              | HALT                      |           | 2            | 2   | Set HALT Mode (PCC.2 $\leftarrow 1$ )   |                 |                                      |                                      |
|                          | STOP                      |           | 2            | 2   | Set STOP Mode (PCC.3 $\leftarrow 1$ )   |                 |                                      |                                      |
|                          | NOP                       |           | 1            | 1   | No Operation  |                 |                                      |                                      |
| Special                  | SEL                       | RBn       | 2            | 2   | $RBS \leftarrow n \quad (n = 0 \text{ to } 3)$  |                 |                                      |                                      |
|                          |                           | MBn       | 2            | 2   | $MBS \leftarrow n \quad (n = 0, 1, 15)$   |                 |                                      |                                      |
|                          | GETI <sup>Note 2, 3</sup> | taddr     | 1            | 3   | <ul style="list-style-type: none"> <li>When using TBR instruction</li> </ul> $PC_{13-0} \leftarrow (taddr)_{5-0} + (taddr + 1)$   | *10             |                                      |                                      |
|                          |                           |           |              |   | <ul style="list-style-type: none"> <li>When using TCALL instruction</li> </ul> $(SP - 4)(SP - 1)(SP - 2) \leftarrow PC_{11-0}$<br>$(SP - 3) \leftarrow MBE, RBE, PC_{13, 12}$<br>$PC_{13-0} \leftarrow (taddr)_{5-0} + (taddr + 1)$<br>$SP \leftarrow SP - 4$ |                 |                                      |                                      |
|                          |                           |           |              |   | <ul style="list-style-type: none"> <li>When using instruction other than TBR or TCALL</li> </ul> Execute (taddr)(taddr + 1) instructions  |                 |                                      | Determined by referenced instruction |
|                          |                           |           |              |   | <ul style="list-style-type: none"> <li>When using TBR instruction</li> </ul> $PC_{13-0} \leftarrow (taddr)_{5-0} + (taddr + 1)$   |                 |                                      |                                      |
| 1                        | 4                         | 3         | 4            | <ul style="list-style-type: none"> <li>When using TCALL instruction</li> </ul> $(SP - 6)(SP - 3)(SP - 4) \leftarrow PC_{11-0}$<br>$(SP - 5) \leftarrow 0, 0, PC_{13, 12}$<br>$(SP - 2) \leftarrow X, X, MBE, RBE$<br>$PC_{13-0} \leftarrow (taddr)_{5-0} + (taddr + 1)$<br>$SP \leftarrow SP - 6$ | *10   |                 |                                      |                                      |
|                          |                           |           |              | <ul style="list-style-type: none"> <li>When using instruction other than TBR or TCALL</li> </ul> Execute (taddr)(taddr + 1) instructions  |   |                 | Determined by referenced instruction |                                      |
|                          |                           |           |              | <ul style="list-style-type: none"> <li>When using instruction other than TBR or TCALL</li> </ul> Execute (taddr)(taddr + 1) instructions  |   |                 | Determined by referenced instruction |                                      |

- Notes**
- Before executing the IN or OUT instruction, set MBE to 0 or 1 and set MBS to 15.
  - TBR and TCALL instructions are assembler pseudo-instructions for the GETI instruction's table definitions.
  - Double box indicates support for the Mk II mode only. Other areas indicate support for the Mk I mode only.

### 8. ONE-TIME PROM (PROGRAM MEMORY) WRITE AND VERIFY

The program memory in the μPD75P0076 is a 16384 x 8-bit electronic write-enabled one-time PROM. The pins listed in the table below are used for this PROM's write/verify operations. Clock input from the X1 pins is used instead of address input as a method for updating addresses.

| Pin name   | Function  |
|--|---|
| V <sub>PP</sub>  | Pin (usually V <sub>DD</sub> ) where programming voltage is applied during program memory write/verify  |
| X1, X2   | Clock input pin for address updating during program memory write/verify. Input the X1 pin's inverted signal to the X2 pin.                      |
| MD0 to MD3   | Operation mode selection pin for program memory write/verify  |
| D0/P40 to D3/P43 (lower 4)<br>D4/P50 to D7/P53 (upper 4) | 8-bit data I/O pin for program memory write/verify  |
| V <sub>DD</sub>  | Pin where power supply voltage is applied. Power voltage range for normal operation is 1.8 to 5.5 V. Apply 6 V for program memory write/verify. |

**Caution** Pins not used for program memory write/verify should be handled as follows.

- All unused pins except XT2 ..... Connect to V<sub>SS</sub> via a pull-down resistor
- XT2 pin ..... Leave open

#### 8.1 Operation Modes for Program Memory Write/Verify

When +6 V is applied to the μPD75P0076's V<sub>DD</sub> pin and +12.5 V is applied to its V<sub>PP</sub> pin, program memory write/verify modes are in effect. Furthermore, the following detailed operation modes can be specified by setting pins MD0 to MD3 as shown below.

| Operation mode specification |                 |     |     |     |     | Operation mode                    |
|------------------------------|-----------------|-----|-----|-----|-----|-----------------------------------|
| V <sub>PP</sub>              | V <sub>DD</sub> | MD0 | MD1 | MD2 | MD3 |                                   |
| +12.5 V                      | +6 V            | H   | L   | H   | L   | Zero-clear program memory address |
|                              |                 | L   | H   | H   | H   | Write mode                        |
|                              |                 | L   | L   | H   | H   | Verify mode                       |
|                              |                 | H   | X   | H   | H   | Program inhibit mode              |

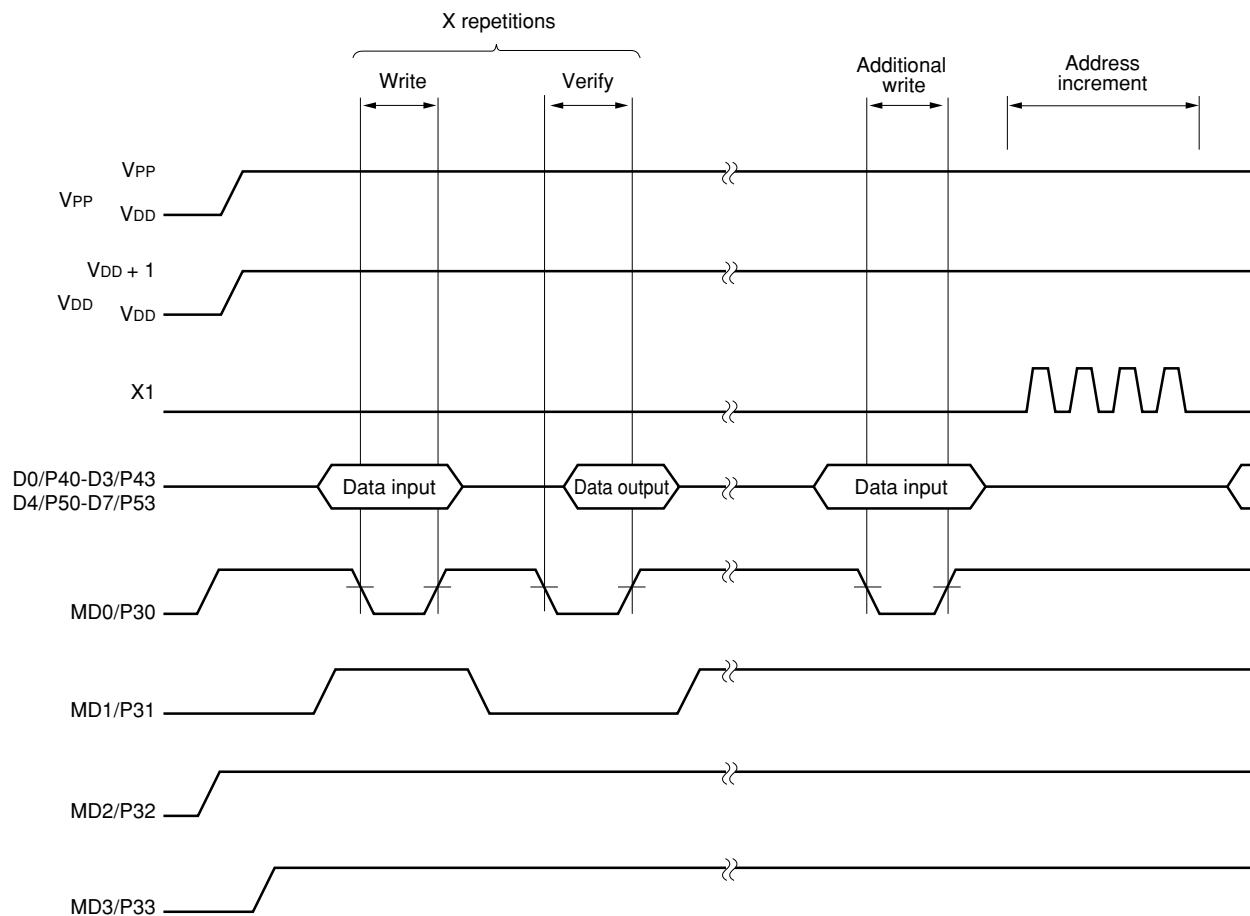
X: L or H

### 8.2 Steps in Program Memory Write Operation

High-speed program memory write can be executed via the following steps.

- (1) Pull down unused pins to V<sub>SS</sub> via resistors. Set the X1 pin to low.
- (2) Apply +5 V to the V<sub>DD</sub> and V<sub>PP</sub> pins.
- (3) Wait 10 μs.
- (4) Zero-clear mode for program memory addresses.
- (5) Apply +6 V to V<sub>DD</sub> and +12.5 V to V<sub>PP</sub>.
- (6) Write data using 1-ms write mode.
- (7) Verify mode. If write is verified, go to step (8) and if write is not verified, go back to steps (6) to (7).
- (8) X [= number of write operations from steps (6) to (7)] x 1 ms additional write
- (9) 4 pulse inputs to the X1 pin updates (increments +1) the program memory address.
- (10) Repeat steps (6) to (9) until the last address is completed.
- (11) Zero-clear mode for program memory addresses.
- (12) Apply +5 V to the V<sub>DD</sub> and V<sub>PP</sub> pins.
- (13) Power supply OFF

The following diagram illustrates steps (2) to (9).



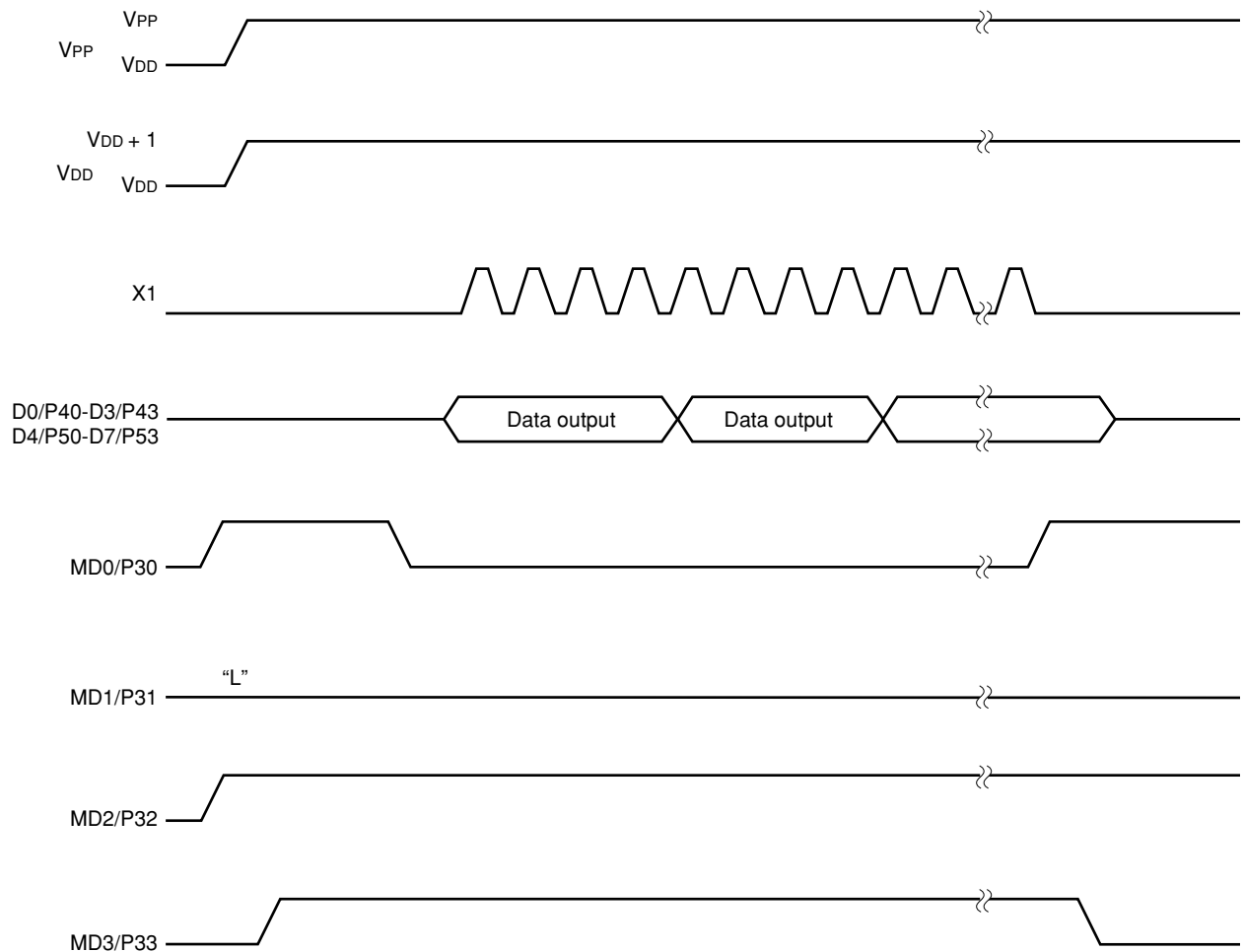


### 8.3 Steps in Program Memory Read Operation

The μPD75P0076 can read out the program memory contents via the following steps.

- (1) Pull down unused pins to V<sub>SS</sub> via resistors. Set the X1 pin to low.
- (2) Apply +5 V to the V<sub>DD</sub> and V<sub>PP</sub> pins.
- (3) Wait 10 μs.
- (4) Zero-clear mode for program memory addresses.
- (5) Apply +6 V to V<sub>DD</sub> and +12.5 V to V<sub>PP</sub>.
- (6) Verify mode. When a clock pulse is input to the X1 pin, data is output sequentially to one address at a time based on a cycle of four pulse inputs.
- (7) Zero-clear mode for program memory addresses.
- (8) Apply +5 V to the V<sub>DD</sub> and V<sub>PP</sub> pins.
- (9) Power supply OFF

The following diagram illustrates steps (2) to (7).



#### 8.4 One-Time PROM Screening

Due to its structure, the one-time PROM cannot be fully tested before shipment by NEC Electronics. Therefore, NEC Electronics recommends the screening process, that is, after the required data is written to the PROM and the PROM is stored under the high- temperature conditions shown below, the PROM should be verified.

| Storage temperature | Storage time |
|---------------------|--------------|
| 125 °C              | 24 hours     |

★ 9. ELECTRICAL SPECIFICATIONS

**ABSOLUTE MAXIMUM RATINGS (T<sub>A</sub> = 25°C)**

| Parameter                     | Symbol           | Test Conditions              | Rating                       | Unit |
|-------------------------------|------------------|------------------------------|------------------------------|------|
| Power supply voltage          | V <sub>DD</sub>  |                              | -0.3 to +7.0                 | V    |
| PROM power supply voltage     | V <sub>PP</sub>  |                              | -0.3 to +13.5                | V    |
| Input voltage                 | V <sub>I1</sub>  | Except ports 4, 5            | -0.3 to V <sub>DD</sub> +0.3 | V    |
|                               | V <sub>I2</sub>  | Ports 4, 5 (N-ch open drain) | -0.3 to +14                  | V    |
| Output voltage                | V <sub>O</sub>   |                              | -0.3 to V <sub>DD</sub> +0.3 | V    |
| Output current high           | I <sub>OH</sub>  | Per pin                      | -10                          | mA   |
|                               |                  | Total of all pins            | -30                          | mA   |
| Output current low            | I <sub>OL</sub>  | Per pin                      | 30                           | mA   |
|                               |                  | Total of all pins            | 220                          | mA   |
| Operating ambient temperature | T <sub>A</sub>   |                              | -40 to +85                   | °C   |
| Storage temperature           | T <sub>stg</sub> |                              | -65 to +150                  | °C   |

**Caution** If any of the parameters exceeds the absolute maximum ratings, even momentarily, the reliability of the product may be impaired. The absolute maximum ratings are values that may physically damage the products. Be sure to use the products within the ratings.

**CAPACITANCE (T<sub>A</sub> = 25°C, V<sub>DD</sub> = 0 V)**

| Parameter          | Symbol           | Test Conditions                  | MIN. | TYP. | MAX. | Unit |
|--------------------|------------------|----------------------------------|------|------|------|------|
| Input capacitance  | C <sub>IN</sub>  | f = 1 MHz                        |      |      | 15   | pF   |
| Output capacitance | C <sub>OUT</sub> | Unmeasured pins returned to 0 V. |      |      | 15   | pF   |
| I/O capacitance    | C <sub>IO</sub>  |                                  |      |      | 15   | pF   |

**MAIN SYSTEM CLOCK OSCILLATOR CHARACTERISTICS (T<sub>A</sub> = -40 to +85°C, V<sub>DD</sub> = 1.8 to 5.5 V)**

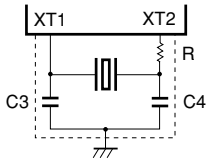
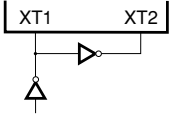
| Resonator         | Recommended constant | Parameter   | Test conditions  | MIN. | TYP. | MAX.                  | Unit |
|-------------------|----------------------|---|--|------|------|-----------------------|------|
| Ceramic resonator |                      | Oscillation frequency (f <sub>x</sub> ) <sup>Note 1</sup>           |  | 1.0  |      | 6.0 <sup>Note 2</sup> | MHz  |
|                   |                      | Oscillation stabilization time <sup>Note 3</sup>                    | After V <sub>DD</sub> reaches oscillation voltage range MIN. |      |      | 4                     | ms   |
| Crystal resonator |                      | Oscillation frequency (f <sub>x</sub> ) <sup>Note 1</sup>           |  | 1.0  |      | 6.0 <sup>Note 2</sup> | MHz  |
|                   |                      | Oscillation stabilization time <sup>Note 3</sup>                    | V <sub>DD</sub> = 4.5 to 5.5 V                               |      |      | 10                    | ms   |
|                   |                      |   |  |      |      | 30                    |      |
| External clock    |                      | X1 input frequency (f <sub>x</sub> ) <sup>Note 1</sup>              |  | 1.0  |      | 6.0 <sup>Note 2</sup> | MHz  |
|                   |                      | X1 input high-/low-level width (t <sub>xH</sub> , t <sub>xL</sub> ) |  |      | 83.3 |                       | 500  |

- Notes**
1. The oscillation frequency and X1 input frequency indicate characteristics of the oscillator only. For the instruction execution time, refer to AC Characteristics.
  2. When the power supply voltage is 1.8 V ≤ V<sub>DD</sub> < 2.7 V and the oscillation frequency is 4.19 MHz < f<sub>x</sub> ≤ 6.0 MHz, setting the processor clock control register (PCC) to 0011 results in 1 machine cycle being less than the required 0.95 μs. Therefore, set PCC to a value other than 0011.
  3. The oscillation stabilization time is necessary for oscillation to stabilize after applying V<sub>DD</sub> or releasing the STOP mode.

**Caution** When using the main system clock oscillator, wiring in the area enclosed with the dotted line should be carried out as follows to avoid an adverse effect from wiring capacitance.

- Wiring should be as short as possible.
- Wiring should not cross other signal lines.
- Wiring should not be placed close to a varying high current.
- The potential of the oscillator capacitor ground should be the same as V<sub>SS</sub>.
- Do not ground it to the ground pattern in which a high current flows.
- Do not fetch a signal from the oscillator.

**SUBSYSTEM CLOCK OSCILLATOR CHARACTERISTICS (T<sub>A</sub> = -40 to +85°C, V<sub>DD</sub> = 1.8 to 5.5 V)**

| Resonator         | Recommended constant  | Parameter  | Test conditions                | MIN. | TYP.   | MAX. | Unit |
|-------------------|---|--|--------------------------------|------|--------|------|------|
| Crystal resonator |  | Oscillation frequency (f <sub>XT</sub> ) <sup>Note 1</sup>             |                                | 32   | 32.768 | 35   | kHz  |
|                   |   | Oscillation stabilization time <sup>Note 2</sup>                       | V <sub>DD</sub> = 4.5 to 5.5 V |      | 1.0    | 2    | s    |
| External clock    |  | XT1 input frequency (f <sub>XT</sub> ) <sup>Note 1</sup>               |                                | 32   |        | 100  | kHz  |
|                   |   | XT1 input high-/low-level width (t <sub>XTH</sub> , t <sub>XTL</sub> ) |                                | 5    |        | 15   | μs   |

- Notes**
1. Indicates only oscillator characteristics. Refer to AC Characteristics for instruction execution time.
  2. The oscillation stabilization time is necessary for oscillation to stabilize after applying V<sub>DD</sub>.

**Caution** When using the subsystem clock oscillator, wiring in the area enclosed with the dotted line should be carried out as follows to avoid an adverse effect from wiring capacitance.

- Wiring should be as short as possible.
- Wiring should not cross other signal lines.
- Wiring should not be placed close to a varying high current.
- The potential of the oscillator capacitor ground should be the same as V<sub>SS</sub>.
- Do not ground it to the ground pattern in which a high current flows.
- Do not fetch a signal from the oscillator.

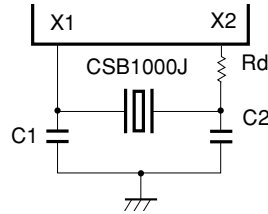
The subsystem clock oscillator is designed as a low amplification circuit to provide low consumption current, causing misoperation by noise more frequently than the main system clock oscillation circuit. Special care should therefore be taken for wiring method when the subsystem clock is used.

RECOMMENDED OSCILLATION CIRCUIT CONSTANTS

CERAMIC RESONATOR (T<sub>A</sub> = -20 to +80 °C)

| Manufacturer          | Product Name             | Frequency (MHz) | Oscillation Circuit Constants (pF) |                        | Oscillation Voltage Range (V <sub>DD</sub> ) |                        | Remarks                 |
|-----------------------|--------------------------|-----------------|------------------------------------|------------------------|--|------------------------|-------------------------|
|                       |                          |                 | C1                                 | C2                     | MIN.   | MAX.                   |                         |
| Murata Mfg. Co., Ltd. | CSB1000J <sup>Note</sup> | 1.0             | 100                                | 100                    | 2.2  | 5.5                    | R <sub>d</sub> = 5.6 KΩ |
|                       | CSA2.00MG040             | 2.0             | 100                                | 100                    | 2.0  |                        | —                       |
|                       | CST2.00MG040             |                 | —                                  | —                      |  | With on-chip capacitor |                         |
|                       | CSA4.00MG                | 4.0             | 30                                 | 30                     | 1.8  | —                      |                         |
|                       | CST4.00MGW               |                 | —                                  | —                      |  | With on-chip capacitor |                         |
|                       | CSA4.19MG                | 4.19            | 30                                 | 30                     | 1.8  | —                      |                         |
|                       | CST4.19MGW               |                 | —                                  | —                      |  | With on-chip capacitor |                         |
|                       | CSA6.00MG                | 6.0             | 30                                 | 30                     | 2.6  | —                      |                         |
|                       | CST6.00MGW               |                 | —                                  | —                      |  | With on-chip capacitor |                         |
|                       | CSA6.00MGU               | 6.0             | 30                                 | 30                     | 1.8  | —                      |                         |
| CST6.00MGWU           | —                        |                 | —                                  | With on-chip capacitor |  |                        |                         |

**Note** When the CSB1000J (1.0 MHz) manufactured by Murata Mfg. is used as a ceramic resonator, a limiting resistor (R<sub>d</sub> = 5.6 kΩ) is required (see the figure below). Other recommended resonators do not require such a limiting resistor.



**Caution** The oscillation circuit constants and oscillation voltage range only indicate the conditions under which the circuit can oscillate stably, and do not guarantee the oscillation frequency accuracy. If oscillation frequency accuracy is required in the actual circuit, it is necessary to adjust oscillation frequencies in the actual circuit, and you should consult directly with the manufacturer of the resonator used.

DC CHARACTERISTICS (T<sub>A</sub> = -40 to +85°C, V<sub>DD</sub> = 1.8 to 5.5 V)

| Parameter                      | Symbol                  | Test conditions  |  | MIN.                  | TYP.            | MAX.               | Unit |    |
|--------------------------------|-------------------------|--|--|-----------------------|-----------------|--------------------|------|----|
| Output current low             | I <sub>OL</sub>         | Per pin  |  |                       |                 | 15                 | mA   |    |
|                                |                         | Total of all pins  |  |                       |                 | 150                | mA   |    |
| Input voltage high             | V <sub>IH1</sub>        | Ports 2, 3, and 11   | 2.7 ≤ V <sub>DD</sub> ≤ 5.5 V  | 0.7V <sub>DD</sub>    |                 | V <sub>DD</sub>    | V    |    |
|                                |                         |  | 1.8 ≤ V <sub>DD</sub> < 2.7 V  | 0.9V <sub>DD</sub>    |                 | V <sub>DD</sub>    | V    |    |
|                                | V <sub>IH2</sub>        | Ports 0, 1, 6, $\overline{\text{RESET}}$                               | 2.7 ≤ V <sub>DD</sub> ≤ 5.5 V  | 0.8V <sub>DD</sub>    |                 | V <sub>DD</sub>    | V    |    |
|                                |                         |  | 1.8 ≤ V <sub>DD</sub> < 2.7 V  | 0.9V <sub>DD</sub>    |                 | V <sub>DD</sub>    | V    |    |
|                                | V <sub>IH3</sub>        | Ports 4, 5<br>(N-ch open-drain)  | 2.7 ≤ V <sub>DD</sub> ≤ 5.5 V  | 0.7V <sub>DD</sub>    |                 | 13                 | V    |    |
|                                |                         |  | 1.8 ≤ V <sub>DD</sub> < 2.7 V  | 0.9V <sub>DD</sub>    |                 | 13                 | V    |    |
| V <sub>IH4</sub>               | X1, XT1                 |  | V <sub>DD</sub> - 0.1  |                       | V <sub>DD</sub> | V                  |      |    |
| Input voltage low              | V <sub>IL1</sub>        | Ports 2-5, 11  | 2.7 ≤ V <sub>DD</sub> ≤ 5.5 V  | 0                     |                 | 0.3V <sub>DD</sub> | V    |    |
|                                |                         |  | 1.8 ≤ V <sub>DD</sub> < 2.7 V  | 0                     |                 | 0.1V <sub>DD</sub> | V    |    |
|                                | V <sub>IL2</sub>        | Ports 0, 1, 6, $\overline{\text{RESET}}$                               | 2.7 ≤ V <sub>DD</sub> ≤ 5.5 V  | 0                     |                 | 0.2V <sub>DD</sub> | V    |    |
|                                |                         |  | 1.8 ≤ V <sub>DD</sub> < 2.7 V  | 0                     |                 | 0.1V <sub>DD</sub> | V    |    |
| V <sub>IL3</sub>               | X1, XT1                 |  | 0  |                       | 0.1             | V                  |      |    |
| Output voltage high            | V <sub>OH</sub>         | $\overline{\text{SCK}}$ , SO, Ports 2, 3, 6 I <sub>OH</sub> = -1.0 mA  |  | V <sub>DD</sub> - 0.5 |                 |                    | V    |    |
| Output voltage low             | V <sub>OL1</sub>        | $\overline{\text{SCK}}$ , SO, Ports 2-6                                | I <sub>OL</sub> = 15 mA,<br>V <sub>DD</sub> = 4.5 to 5.5 V             |                       | 0.2             | 2.0                | V    |    |
|                                |                         |  | I <sub>OL</sub> = 1.6 mA   |                       |                 | 0.4                | V    |    |
|                                | V <sub>OL2</sub>        | SB0, SB1   | When N-ch open-drain<br>pull-up resistor ≥ 1 kΩ                        |                       |                 | 0.2V <sub>DD</sub> | V    |    |
| Input leakage<br>current high  | I <sub>LIH1</sub>       | V <sub>IN</sub> = V <sub>DD</sub>                                      | Pins other than X1, XT1  |                       |                 | 3                  | μA   |    |
|                                | I <sub>LIH2</sub>       |  | X1, XT1  |                       |                 | 20                 | μA   |    |
|                                | I <sub>LIH3</sub>       | V <sub>IN</sub> = 13 V   | Ports 4, 5 (N-ch open-drain)   |                       |                 | 20                 | μA   |    |
| Input leakage<br>current low   | I <sub>LIL1</sub>       | V <sub>IN</sub> = 0 V  | Ports 4, 5, pins other than X1, XT1                                    |                       |                 | -3                 | μA   |    |
|                                | I <sub>LIL2</sub>       |  | X1, XT1  |                       |                 | -20                | μA   |    |
|                                | I <sub>LIL3</sub>       |  | Ports 4, 5 (N-ch open-drain)<br>When input instruction is not executed |                       |                 |                    | -3   | μA |
|                                |                         | Ports 4, 5 (N-ch open-<br>drain) When input<br>instruction is executed | V <sub>DD</sub> = 5.0 V  |                       | -10             | -27                | μA   |    |
|                                | V <sub>DD</sub> = 3.0 V |  |  | -3                    | -8              | μA                 |      |    |
| Output leakage<br>current high | I <sub>LOH1</sub>       | V <sub>OUT</sub> = V <sub>DD</sub>                                     | $\overline{\text{SCK}}$ , SO/SB0, SB1, Ports 2, 3, 6                   |                       |                 | 3                  | μA   |    |
|                                | I <sub>LOH2</sub>       | V <sub>OUT</sub> = 13 V  | Ports 4, 5 (N-ch open-drain)   |                       |                 | 20                 | μA   |    |
| Output leakage<br>current low  | I <sub>LOL</sub>        | V <sub>OUT</sub> = 0 V   |  |                       |                 | -3                 | μA   |    |
| On-chip pull-up resistor       | R <sub>L</sub>          | V <sub>IN</sub> = 0 V  | Ports 0-3, 6 (Excluding P00 pin)                                       |                       | 50              | 100                | 200  | kΩ |

DC CHARACTERISTICS (T<sub>A</sub> = -40 to +85°C, V<sub>DD</sub> = 1.8 to 5.5 V)

| Parameter  | Symbol   | Test conditions                                     |   | MIN.  | TYP.                          | MAX. | Unit |     |    |    |
|--|--|---|---|---|-------------------------------|------|------|-----|----|----|
| Supply current <sup>Note 1</sup>                     | I <sub>DD1</sub>                               | 6.0 MHz <sup>Note 2</sup><br>Crystal oscillation    | V <sub>DD</sub> = 5.0 V ± 10% <sup>Note 3</sup>     |   |                               | 3.4  | 10.2 | mA  |    |    |
|  |  |   | V <sub>DD</sub> = 3.0 V ± 10% <sup>Note 4</sup>     |   |                               | 0.8  | 2.4  | mA  |    |    |
|  | I <sub>DD2</sub>                               | C1 = C2 = 22 pF                                     | HALT mode   | V <sub>DD</sub> = 5.0 V ± 10%                     |                               |      | 0.9  | 2.7 | mA |    |
|  |  |   |   | V <sub>DD</sub> = 3.0 V ± 10%                     |                               |      | 0.5  | 1.5 | mA |    |
|  | I <sub>DD1</sub>                               | 4.19 MHz <sup>Note 2</sup><br>Crystal oscillation   | V <sub>DD</sub> = 5.0 V ± 10% <sup>Note 3</sup>     |   |                               | 2.7  | 7.4  | mA  |    |    |
|  |  |   | V <sub>DD</sub> = 3.0 V ± 10% <sup>Note 4</sup>     |   |                               | 0.6  | 1.8  | mA  |    |    |
|  | I <sub>DD2</sub>                               | C1 = C2 = 22 pF                                     | HALT mode   | V <sub>DD</sub> = 5.0 V ± 10%                     |                               |      | 0.8  | 2.4 | mA |    |
|  |  |   |   | V <sub>DD</sub> = 3.0 V ± 10%                     |                               |      | 0.4  | 1.2 | mA |    |
|  | I <sub>DD3</sub>                               | 32.768 kHz <sup>Note 5</sup><br>Crystal oscillation | Low-voltage<br>mode <sup>Note 6</sup>               | V <sub>DD</sub> = 3.0 V ± 10%                     |                               |      | 42   | 126 | μA |    |
|  |  |   |   | V <sub>DD</sub> = 2.0 V ± 10%                     |                               |      | 23   | 69  | μA |    |
|  |  |   |   | V <sub>DD</sub> = 3.0 V, T <sub>A</sub> = 25°C    |                               |      | 42   | 84  | μA |    |
|  |  |   | Low current con-<br>sumption mode <sup>Note 7</sup> | V <sub>DD</sub> = 3.0 V ± 10%                     |                               |      | 40   | 120 | μA |    |
|  | V <sub>DD</sub> = 3.0 V, T <sub>A</sub> = 25°C |   |   |   | 40                            | 80   | μA   |     |    |    |
|  | I <sub>DD4</sub>                               |   | HALT mode   | Low-<br>voltage<br>mode <sup>Note 6</sup>         | V <sub>DD</sub> = 3.0 V ± 10% |      |      | 8   | 24 | μA |
|  |  |   |   |   | V <sub>DD</sub> = 2.0 V ± 10% |      |      | 4   | 12 | μA |
| V <sub>DD</sub> = 3.0 V, T <sub>A</sub> = 25°C       |  |   |   |   | 8                             | 16   | μA   |     |    |    |
| Low current<br>consumption<br>mode <sup>Note 7</sup> |  |   |   | V <sub>DD</sub> = 3.0 V ± 10%                     |                               |      | 7    | 21  | μA |    |
|  |  |   |   | V <sub>DD</sub> = 3.0 V,<br>T <sub>A</sub> = 25°C |                               |      | 7    | 14  | μA |    |
| I <sub>DD5</sub>                                     | XT1 = 0 V<br>STOP mode <sup>Note 8</sup>       | V <sub>DD</sub> = 5.0 V ± 10%                       |   |   | 0.05                          | 10   | μA   |     |    |    |
|  |  | V <sub>DD</sub> = 3.0 V<br>± 10%                    |   |   |                               | 0.02 | 5.0  | μA  |    |    |
|  |  |   | T <sub>A</sub> = 25°C                               |   |                               | 0.02 | 3.0  | μA  |    |    |

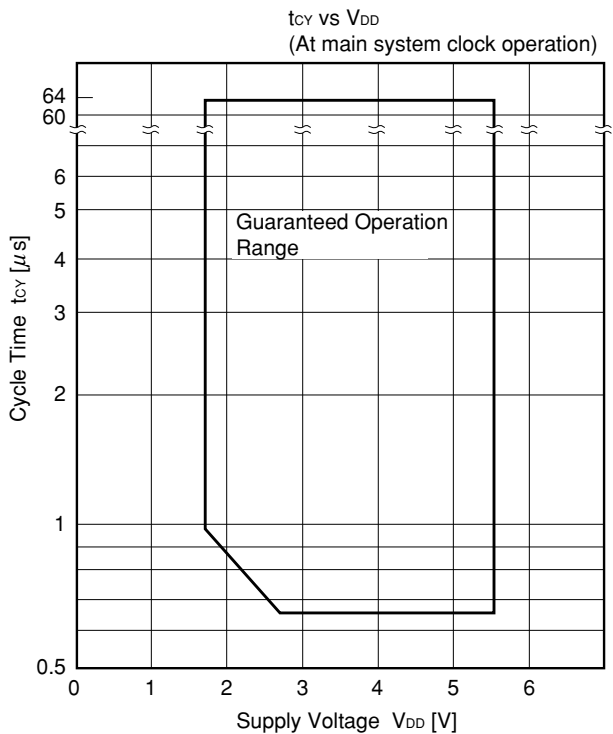
- Notes**
1. Not including currents flowing in on-chip pull-up resistors.
  2. Including oscillation of the subsystem clock.
  3. When the processor clock control register (PCC) is set to 0011 and the device is operated in the high-speed mode.
  4. When PCC is set to 0000 and the device is operated in the low-speed mode.
  5. When the system clock control register (SCC) is set to 1001 and the device is operated on the subsystem clock, with main system clock oscillation stopped.
  6. When the sub-oscillation circuit control register (SOS) is set to 0000.
  7. When SOS is set to 0010.
  8. When SOS is set to 00×1, the feedback resistors of the sub-oscillation circuit is cutoff. (×: don't care)



**AC CHARACTERISTICS (T<sub>A</sub> = -40 to +85°C, V<sub>DD</sub> = 1.8 to 5.5 V)**

| Parameter  | Symbol                                | Test conditions                |                                | MIN.          | TYP. | MAX. | Unit |
|--|---------------------------------------|--------------------------------|--------------------------------|---------------|------|------|------|
| CPU clock cycle time <sup>Note 1</sup><br>(Minimum instruction execution time = 1 machine cycle) | t <sub>cy</sub>                       | Operating on main system clock | V <sub>DD</sub> = 2.7 to 5.5 V | 0.67          |      | 64   | μs   |
|  |                                       |                                |                                | 0.95          |      | 64   | μs   |
|  |                                       | Operating on subsystem clock   |                                | 114           | 122  | 125  | μs   |
| TIO, TI1 input frequency   | f <sub>TI</sub>                       | V <sub>DD</sub> = 2.7 to 5.5 V |                                | 0             |      | 1.0  | MHz  |
|  |                                       |                                |                                | 0             |      | 275  | kHz  |
| TIO, TI1 input high-/low-level width   | t <sub>TIH</sub> , t <sub>TIL</sub>   | V <sub>DD</sub> = 2.7 to 5.5 V |                                | 0.48          |      |      | μs   |
|  |                                       |                                |                                | 1.8           |      |      | μs   |
| Interrupt input high-/low-level width  | t <sub>INTH</sub> , t <sub>INTL</sub> | INT0                           | IM02 = 0                       | <b>Note 2</b> |      |      | μs   |
|  |                                       |                                | IM02 = 1                       | 10            |      |      | μs   |
|  |                                       | INT1, 2, 4                     |                                | 10            |      |      | μs   |
|  |                                       | KR0 to KR3                     |                                | 10            |      |      | μs   |
| RESET low-level width  | t <sub>RSL</sub>                      |                                |                                | 10            |      |      | μs   |

- Notes**
- The cycle time (minimum instruction execution time) of the CPU clock (Φ) is determined by the oscillation frequency of the connected resonator (and external clock), the system clock control register (SCC) and the processor clock control register (PCC). The figure at the right indicates the cycle time t<sub>cy</sub> versus supply voltage V<sub>DD</sub> characteristic with the main system clock operating.
  - 2t<sub>cy</sub> or 128/f<sub>x</sub> is set by setting the interrupt mode register (IM0).



**SERIAL TRANSFER OPERATION**

**2-Wire and 3-Wire Serial I/O Mode ( $\overline{\text{SCK}}$ ...Internal clock output): ( $T_A = -40$  to  $+85^\circ\text{C}$ ,  $V_{DD} = 1.8$  to  $5.5$  V)**

| Parameter   | Symbol                           | Test conditions                  | MIN.                      | TYP. | MAX. | Unit |
|---|----------------------------------|----------------------------------|---------------------------|------|------|------|
| $\overline{\text{SCK}}$ cycle time  | $t_{\text{KCY1}}$                | $V_{DD} = 2.7$ to $5.5$ V        | 1300                      |      |      | ns   |
|   |                                  |                                  | 3800                      |      |      | ns   |
| $\overline{\text{SCK}}$ high-/low-level width   | $t_{\text{KL1}}, t_{\text{KH1}}$ | $V_{DD} = 2.7$ to $5.5$ V        | $t_{\text{KCY1}}/2-50$    |      |      | ns   |
|   |                                  |                                  | $t_{\text{KCY1}}/2-150$   |      |      | ns   |
| SI <sup>Note 1</sup> setup time (to $\overline{\text{SCK}}\uparrow$ )                     | $t_{\text{SIK1}}$                | $V_{DD} = 2.7$ to $5.5$ V        | 150                       |      |      | ns   |
|   |                                  |                                  | 500                       |      |      | ns   |
| SI <sup>Note 1</sup> hold time (from $\overline{\text{SCK}}\uparrow$ )                    | $t_{\text{KSI1}}$                | $V_{DD} = 2.7$ to $5.5$ V        | 400                       |      |      | ns   |
|   |                                  |                                  | 600                       |      |      | ns   |
| $\overline{\text{SCK}}\downarrow \rightarrow \text{SO}^{\text{Note 1}}$ output delay time | $t_{\text{KSO1}}$                | $R_L = 1$ k $\Omega$ ,           | $V_{DD} = 2.7$ to $5.5$ V | 0    | 250  | ns   |
|   |                                  | $C_L = 100$ pF <sup>Note 2</sup> |                           | 0    | 1000 | ns   |

- Notes**
1. In 2-wire serial I/O mode, read SB0 or SB1 instead.
  2.  $R_L$  and  $C_L$  are the load resistance and load capacitance of the SO output lines.

**2-Wire and 3-Wire Serial I/O Mode ( $\overline{\text{SCK}}$ ...External clock input): ( $T_A = -40$  to  $+85^\circ\text{C}$ ,  $V_{DD} = 1.8$  to  $5.5$  V)**

| Parameter   | Symbol                           | Test conditions                  | MIN.                      | TYP. | MAX. | Unit |
|---|----------------------------------|----------------------------------|---------------------------|------|------|------|
| $\overline{\text{SCK}}$ cycle time  | $t_{\text{KCY2}}$                | $V_{DD} = 2.7$ to $5.5$ V        | 800                       |      |      | ns   |
|   |                                  |                                  | 3200                      |      |      | ns   |
| $\overline{\text{SCK}}$ high-/low-level width   | $t_{\text{KL2}}, t_{\text{KH2}}$ | $V_{DD} = 2.7$ to $5.5$ V        | 400                       |      |      | ns   |
|   |                                  |                                  | 1600                      |      |      | ns   |
| SI <sup>Note 1</sup> setup time (to $\overline{\text{SCK}}\uparrow$ )                     | $t_{\text{SIK2}}$                | $V_{DD} = 2.7$ to $5.5$ V        | 100                       |      |      | ns   |
|   |                                  |                                  | 150                       |      |      | ns   |
| SI <sup>Note 1</sup> hold time (from $\overline{\text{SCK}}\uparrow$ )                    | $t_{\text{KSI2}}$                | $V_{DD} = 2.7$ to $5.5$ V        | 400                       |      |      | ns   |
|   |                                  |                                  | 600                       |      |      | ns   |
| $\overline{\text{SCK}}\downarrow \rightarrow \text{SO}^{\text{Note 1}}$ output delay time | $t_{\text{KSO2}}$                | $R_L = 1$ k $\Omega$ ,           | $V_{DD} = 2.7$ to $5.5$ V | 0    | 300  | ns   |
|   |                                  | $C_L = 100$ pF <sup>Note 2</sup> |                           | 0    | 1000 | ns   |

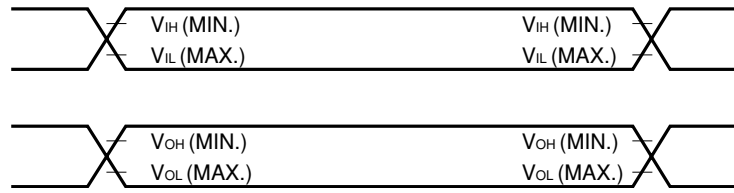
- Notes**
1. In 2-wire serial I/O mode, read SB0 or SB1 instead.
  2.  $R_L$  and  $C_L$  are the load resistance and load capacitance of the SO output lines.

**A/D CONVERTER CHARACTERISTICS (T<sub>A</sub> = -40 to +85 °C, V<sub>DD</sub> = 1.8 to 5.5 V, 1.8 V ≤ AV<sub>REF</sub> ≤ V<sub>DD</sub>)**

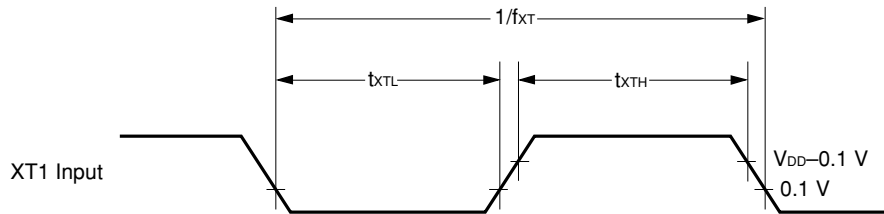
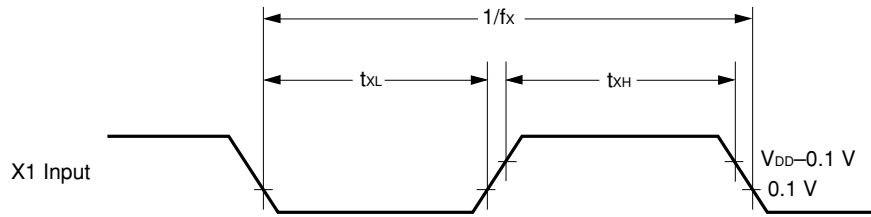
| Parameter                           | Symbol            | Test conditions                     |                                 | MIN.             | TYP. | MAX.               | Unit |
|-------------------------------------|-------------------|-------------------------------------|---------------------------------|------------------|------|--------------------|------|
| Resolution                          |                   |                                     |                                 | 8                | 8    | 8                  | bit  |
| Absolute accuracy <sup>Note 1</sup> |                   | V <sub>DD</sub> = AV <sub>REF</sub> | 2.7 ≤ V <sub>DD</sub>           |                  |      | 1.5                | LSB  |
|                                     |                   |                                     | 1.8 V ≤ V <sub>DD</sub> < 2.7 V |                  |      | 3                  | LSB  |
|                                     |                   | V <sub>DD</sub> ≠ AV <sub>REF</sub> |                                 |                  |      | 3                  | LSB  |
| Conversion time <sup>Note 2</sup>   | t <sub>CONV</sub> |                                     |                                 |                  |      | 168/f <sub>x</sub> | μs   |
| Sampling time <sup>Note 3</sup>     | t <sub>SAMP</sub> |                                     |                                 |                  |      | 44/f <sub>x</sub>  | μs   |
| Analog input voltage                | V <sub>IAN</sub>  |                                     |                                 | AV <sub>SS</sub> |      | AV <sub>REF</sub>  | V    |
| Analog input impedance              | R <sub>AN</sub>   |                                     |                                 |                  | 1000 |                    | MΩ   |
| AV <sub>REF</sub> current           | I <sub>REF</sub>  |                                     |                                 |                  | 0.25 | 2.0                | mA   |

- Notes**
1. Absolute accuracy excluding quantization error (±1/2 LSB).
  2. Time after execution of conversion start instruction until completion of conversion (EOC = 1) (40.1 μs: in f<sub>x</sub> = 4.19 MHz operation)
  3. Time after conversion start instruction until completion of sampling (10.5 μs: in f<sub>x</sub> = 4.19 MHz operation)

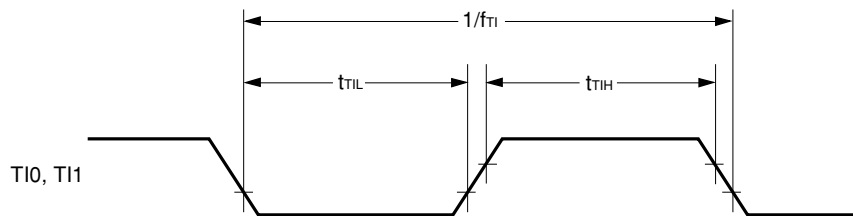
AC Timing Test Point (Excluding X1, XT1 Input)



Clock Timing

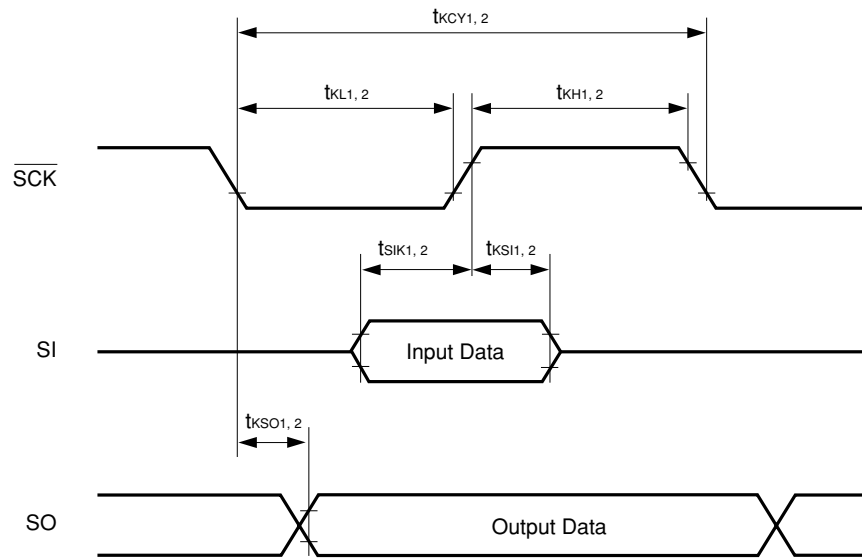


T10, T11 Timing

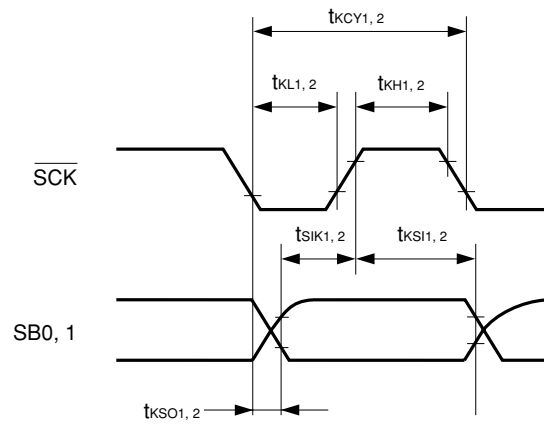


Serial Transfer Timing

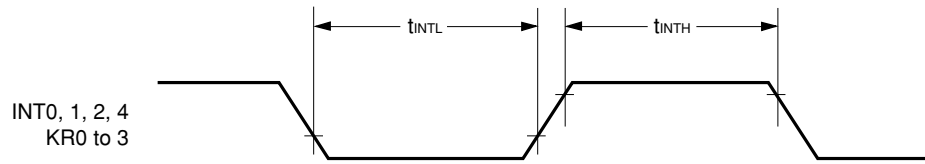
3-wire serial I/O mode



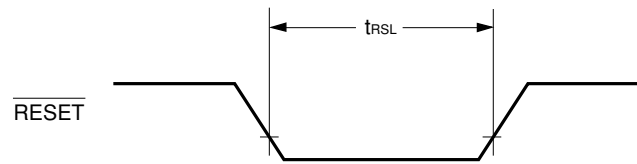
2-wire serial I/O mode



Interrupt input timing



RESET input timing



**DATA MEMORY STOP MODE LOW SUPPLY VOLTAGE DATA RETENTION CHARACTERISTICS**

(T<sub>A</sub> = -40 to +85 °C)

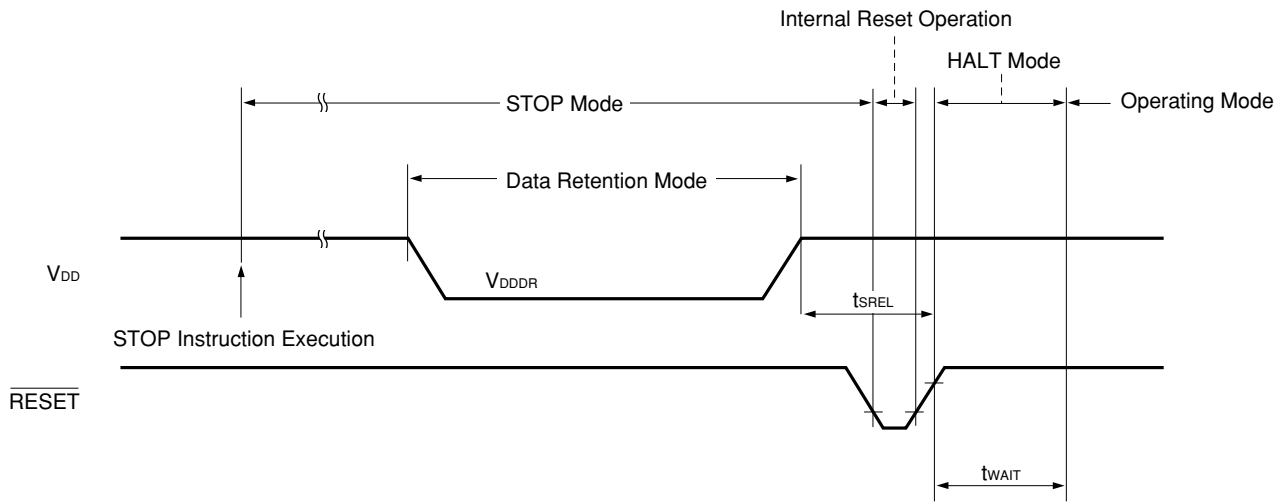
| Parameter   | Symbol            | Test conditions                      | MIN. | TYP.                | MAX. | Unit |
|---|-------------------|--------------------------------------|------|---------------------|------|------|
| Release signal set time                               | t <sub>SREL</sub> |                                      | 0    |                     |      | μs   |
| Oscillation stabilization wait time <sup>Note 1</sup> | t <sub>WAIT</sub> | Release by $\overline{\text{RESET}}$ |      | 2 <sup>15</sup> /fx |      | ms   |
|   |                   | Release by interrupt request         |      | <b>Note 2</b>       |      | ms   |

**Notes 1.** The oscillation stabilization wait time is the time during which the CPU operation is stopped to prevent unstable operation at the oscillation start.

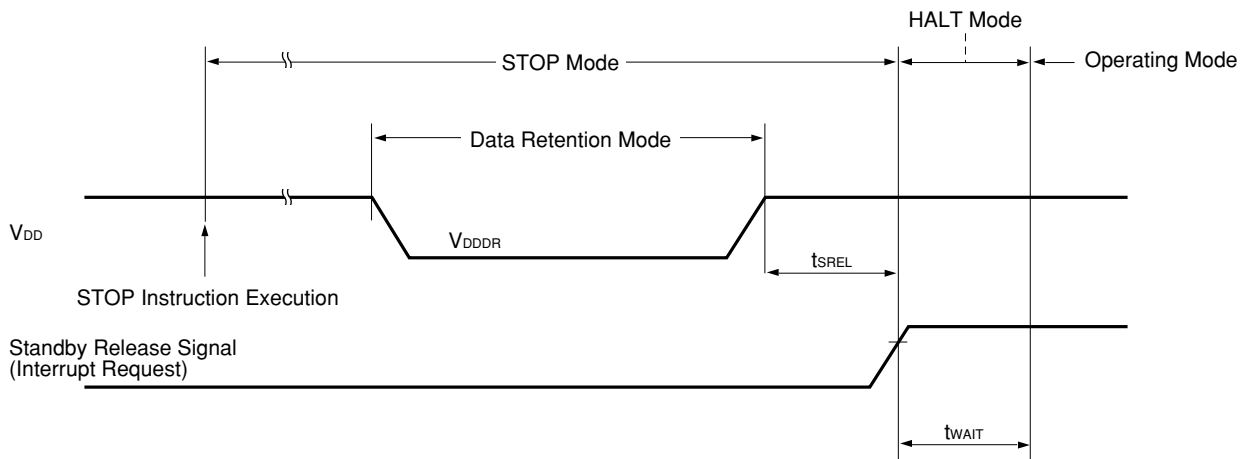
**2.** Depends on the basic interval timer mode register (BTM) settings (See the table below).

| BTM3 | BTM2 | BTM1 | BTM0 | Wait time                             |                                       |
|------|------|------|------|---------------------------------------|---------------------------------------|
|      |      |      |      | fx = at 4.19 MHz                      | fx = at 6.0 MHz                       |
| —    | 0    | 0    | 0    | 2 <sup>20</sup> /fx (approx. 250 ms)  | 2 <sup>20</sup> /fx (approx. 175 ms)  |
| —    | 0    | 1    | 1    | 2 <sup>17</sup> /fx (approx. 31.3 ms) | 2 <sup>17</sup> /fx (approx. 21.8 ms) |
| —    | 1    | 0    | 1    | 2 <sup>15</sup> /fx (approx. 7.81 ms) | 2 <sup>15</sup> /fx (approx. 5.46 ms) |
| —    | 1    | 1    | 1    | 2 <sup>13</sup> /fx (approx. 1.95 ms) | 2 <sup>13</sup> /fx (approx. 1.37 ms) |

Data Retention Timing (STOP Mode Release by RESET)



Data Retention Timing (Standby Release Signal: STOP Mode Release by Interrupt Signal)





**DC PROGRAMMING CHARACTERISTICS (T<sub>A</sub> = 25 ± 5°C, V<sub>DD</sub> = 6.0 ± 0.25 V, V<sub>PP</sub> = 12.5 ± 0.3 V, V<sub>SS</sub> = 0 V)**

| Parameter                            | Symbol           | Test conditions                                      | MIN.                 | TYP. | MAX.               | Unit |
|--------------------------------------|------------------|--|----------------------|------|--------------------|------|
| Input voltage high                   | V <sub>IH1</sub> | Except X1, X2  | 0.7V <sub>DD</sub>   |      | V <sub>DD</sub>    | V    |
|                                      | V <sub>IH2</sub> | X1, X2   | V <sub>DD</sub> -0.5 |      | V <sub>DD</sub>    | V    |
| Input voltage low                    | V <sub>IL1</sub> | Except X1, X2  | 0                    |      | 0.3V <sub>DD</sub> | V    |
|                                      | V <sub>IL2</sub> | X1, X2   | 0                    |      | 0.4                | V    |
| Input leakage current                | I <sub>LI</sub>  | V <sub>IN</sub> = V <sub>IL</sub> or V <sub>IH</sub> |                      |      | 10                 | μA   |
| Output voltage high                  | V <sub>OH</sub>  | I <sub>OH</sub> = -1 mA                              | V <sub>DD</sub> -1.0 |      |                    | V    |
| Output voltage low                   | V <sub>OL</sub>  | I <sub>OL</sub> = 1.6 mA                             |                      |      | 0.4                | V    |
| V <sub>DD</sub> power supply current | I <sub>DD</sub>  |  |                      |      | 30                 | mA   |
| V <sub>PP</sub> power supply current | I <sub>PP</sub>  | MD0 = V <sub>IL</sub> , MD1 = V <sub>IH</sub>        |                      |      | 30                 | mA   |

- Cautions 1. Avoid exceeding +13.5 V for V<sub>PP</sub> including the overshoot.**  
**2. V<sub>DD</sub> must be applied before V<sub>PP</sub>, and cut after V<sub>PP</sub>.**

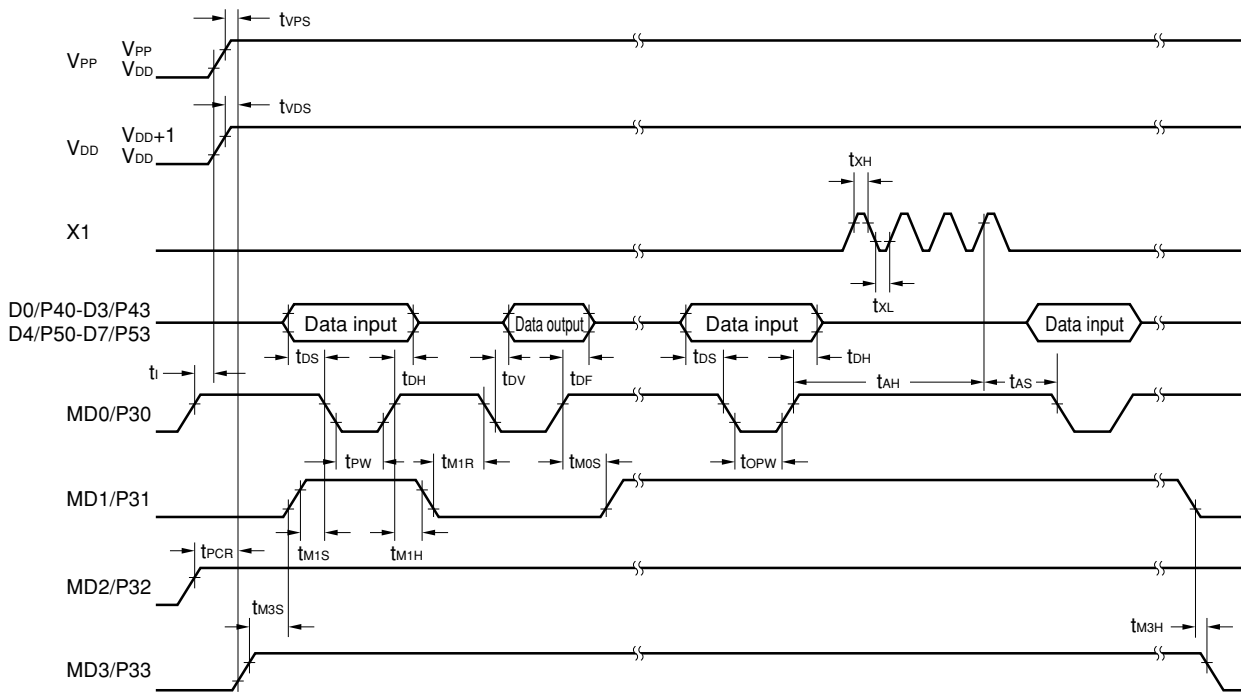
**AC PROGRAMMING CHARACTERISTICS (T<sub>A</sub> = 25 ± 5°C, V<sub>DD</sub> = 6.0 ± 0.25 V, V<sub>PP</sub> = 12.5 ± 0.3 V, V<sub>SS</sub> = 0 V)**

| Parameter   | Symbol                            | Note 1           | Test conditions                             | MIN.  | TYP. | MAX. | Unit |
|---|-----------------------------------|------------------|---|-------|------|------|------|
| Address setup time <sup>Note 2</sup> (to MD0↓)    | t <sub>AS</sub>                   | t <sub>AS</sub>  |   | 2     |      |      | μs   |
| MD1 setup time (to MD0↓)                          | t <sub>M1S</sub>                  | t <sub>OES</sub> |   | 2     |      |      | μs   |
| Data setup time (to MD0↓)                         | t <sub>DS</sub>                   | t <sub>DS</sub>  |   | 2     |      |      | μs   |
| Address hold time <sup>Note 2</sup> (from MD0↑)   | t <sub>AH</sub>                   | t <sub>AH</sub>  |   | 2     |      |      | μs   |
| Data hold time (from MD0↑)                        | t <sub>DH</sub>                   | t <sub>DH</sub>  |   | 2     |      |      | μs   |
| MD0↑→data output float delay time                 | t <sub>DF</sub>                   | t <sub>DF</sub>  |   | 0     |      | 130  | ns   |
| V <sub>PP</sub> setup time (to MD3↑)              | t <sub>VPS</sub>                  | t <sub>VPS</sub> |   | 2     |      |      | μs   |
| V <sub>DD</sub> setup time (to MD3↑)              | t <sub>VDS</sub>                  | t <sub>VCS</sub> |   | 2     |      |      | μs   |
| Initial program pulse width                       | t <sub>PW</sub>                   | t <sub>PW</sub>  |   | 0.95  | 1.0  | 1.05 | ms   |
| Additional program pulse width                    | t <sub>OPW</sub>                  | t <sub>OPW</sub> |   | 0.95  |      | 21.0 | ms   |
| MD0 setup time (to MD1↑)                          | t <sub>M0S</sub>                  | t <sub>CES</sub> |   | 2     |      |      | μs   |
| MD0↓→data output delay time                       | t <sub>DV</sub>                   | t <sub>DV</sub>  | MD0 = MD1 = V <sub>IL</sub>                 |       |      | 1    | μs   |
| MD1 hold time (from MD0↑)                         | t <sub>M1H</sub>                  | t <sub>OEH</sub> | t <sub>M1H</sub> + t <sub>M1R</sub> ≥ 50 μs | 2     |      |      | μs   |
| MD1 recovery time (from MD0↓)                     | t <sub>M1R</sub>                  | t <sub>OR</sub>  |   | 2     |      |      | μs   |
| Program counter reset time                        | t <sub>PCR</sub>                  | —                |   | 10    |      |      | μs   |
| X1 input high-/low-level width                    | t <sub>XH</sub> , t <sub>XL</sub> | —                |   | 0.125 |      |      | μs   |
| X1 input frequency                                | f <sub>X</sub>                    | —                |   |       |      | 4.19 | MHz  |
| Initial mode set time                             | t <sub>I</sub>                    | —                |   | 2     |      |      | μs   |
| MD3 setup time (to MD1↑)                          | t <sub>M3S</sub>                  | —                |   | 2     |      |      | μs   |
| MD3 hold time (from MD1↓)                         | t <sub>M3H</sub>                  | —                |   | 2     |      |      | μs   |
| MD3 setup time (to MD0↓)                          | t <sub>M3SR</sub>                 | —                | During program memory read                  | 2     |      |      | μs   |
| Address <sup>Note 2</sup> →data output delay time | t <sub>DAD</sub>                  | t <sub>ACC</sub> | During program memory read                  |       |      | 2    | μs   |
| Address <sup>Note 2</sup> →data output hold time  | t <sub>HAD</sub>                  | t <sub>OH</sub>  | During program memory read                  | 0     |      | 130  | ns   |
| MD3 hold time (from MD0↑)                         | t <sub>M3HR</sub>                 | —                | During program memory read                  | 2     |      |      | μs   |
| MD3↓→data output float delay time                 | t <sub>DFR</sub>                  | —                | During program memory read                  |       |      | 2    | μs   |

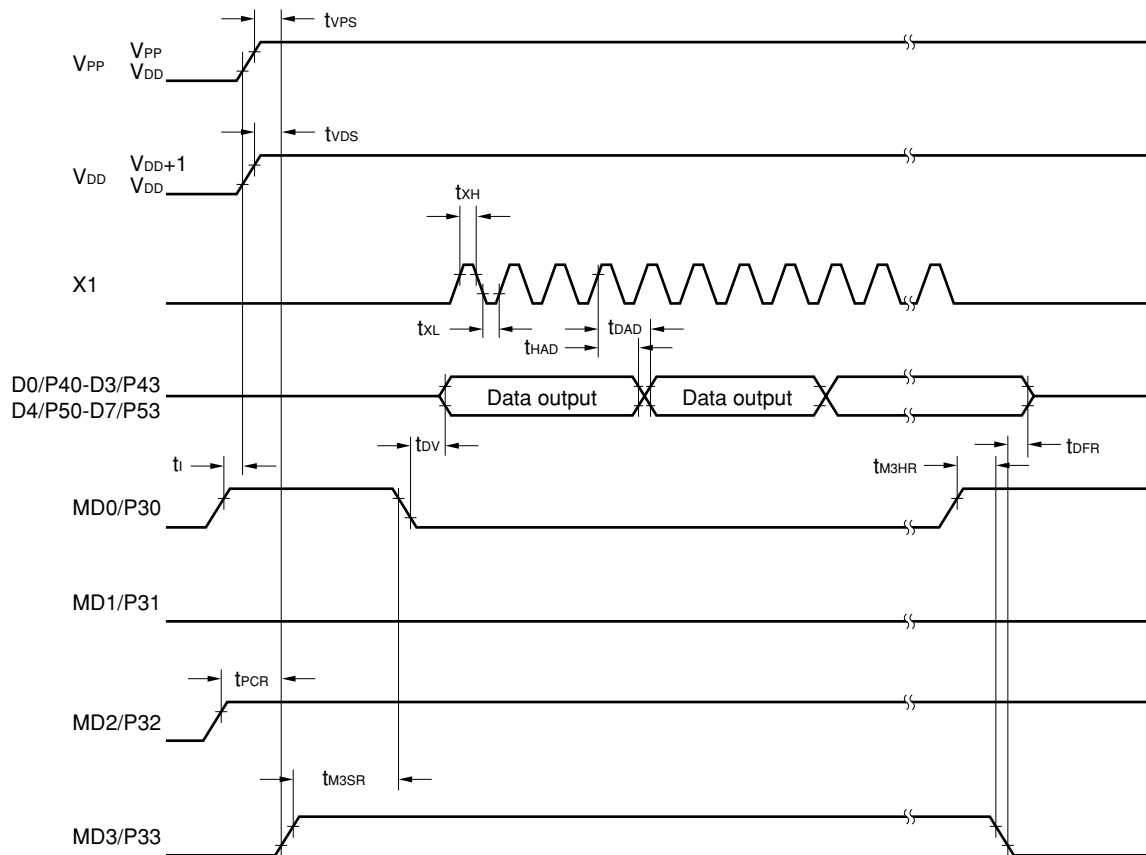
**Notes 1.** Corresponding symbol of μPD27C256A

- 2.** The internal address signal is incremented by 1 at the rising edge of the fourth X1 input and is not connected to the pin.

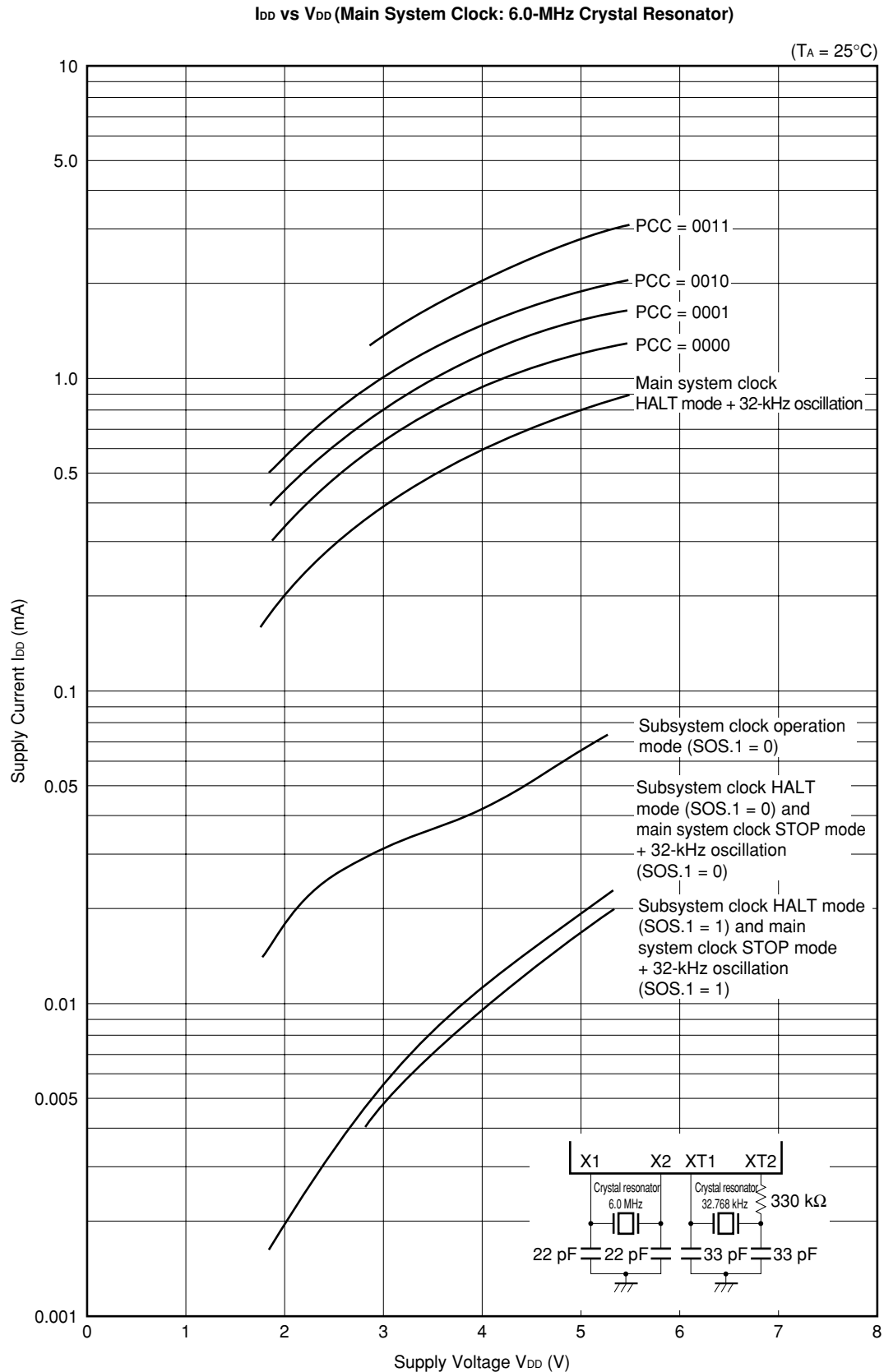
Program Memory Write Timing



Program Memory Read Timing

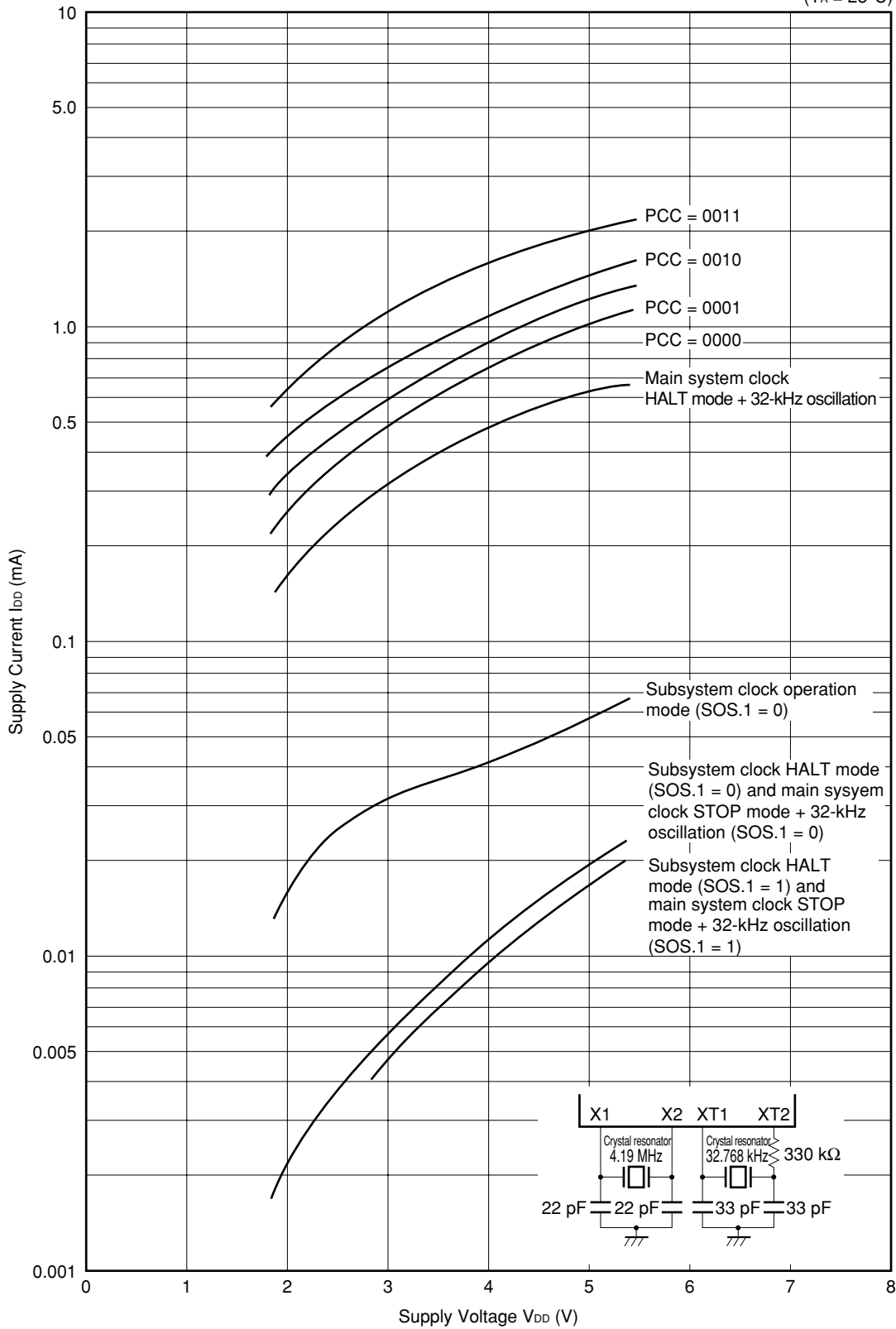


10. CHARACTERISTICS CURVES (REFERENCE VALUES)



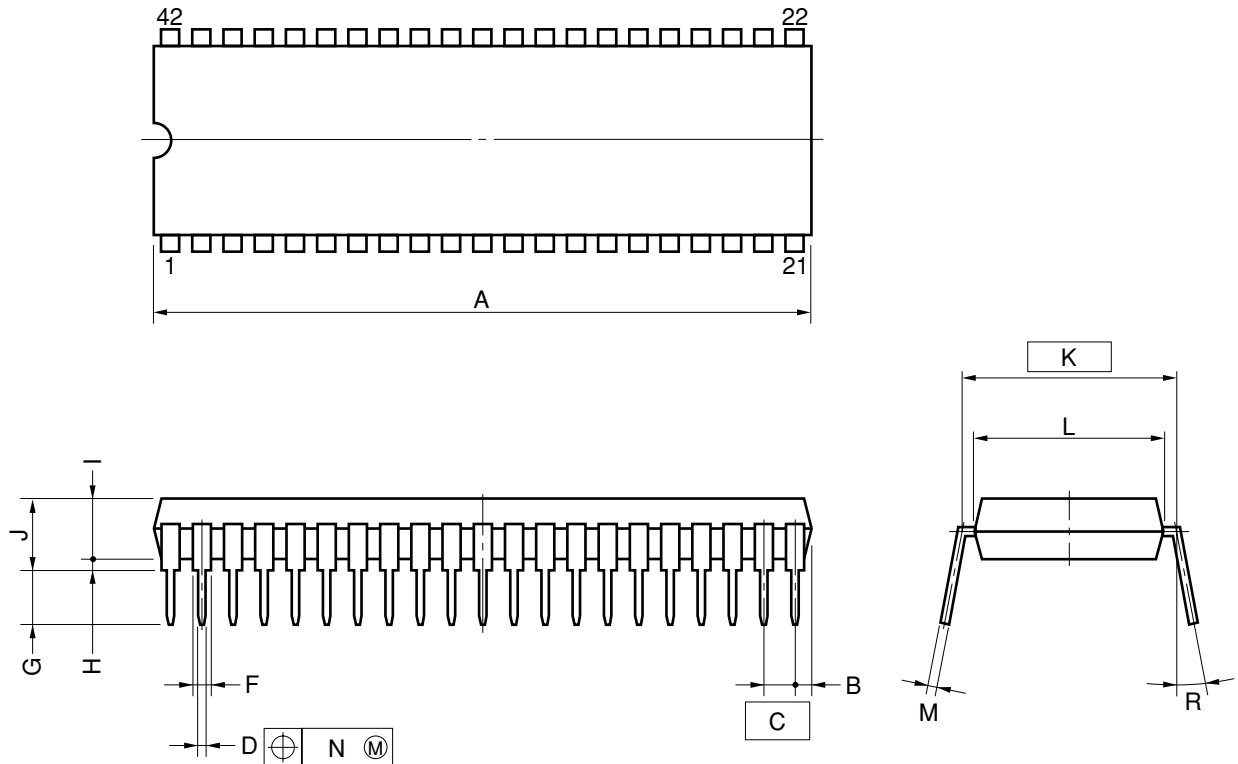
I<sub>DD</sub> vs V<sub>DD</sub> (Main System Clock: 4.19-MHz Crystal Resonator)

(T<sub>A</sub> = 25°C)



11. PACKAGE DRAWINGS

42PIN PLASTIC SHRINK DIP (600 mil)



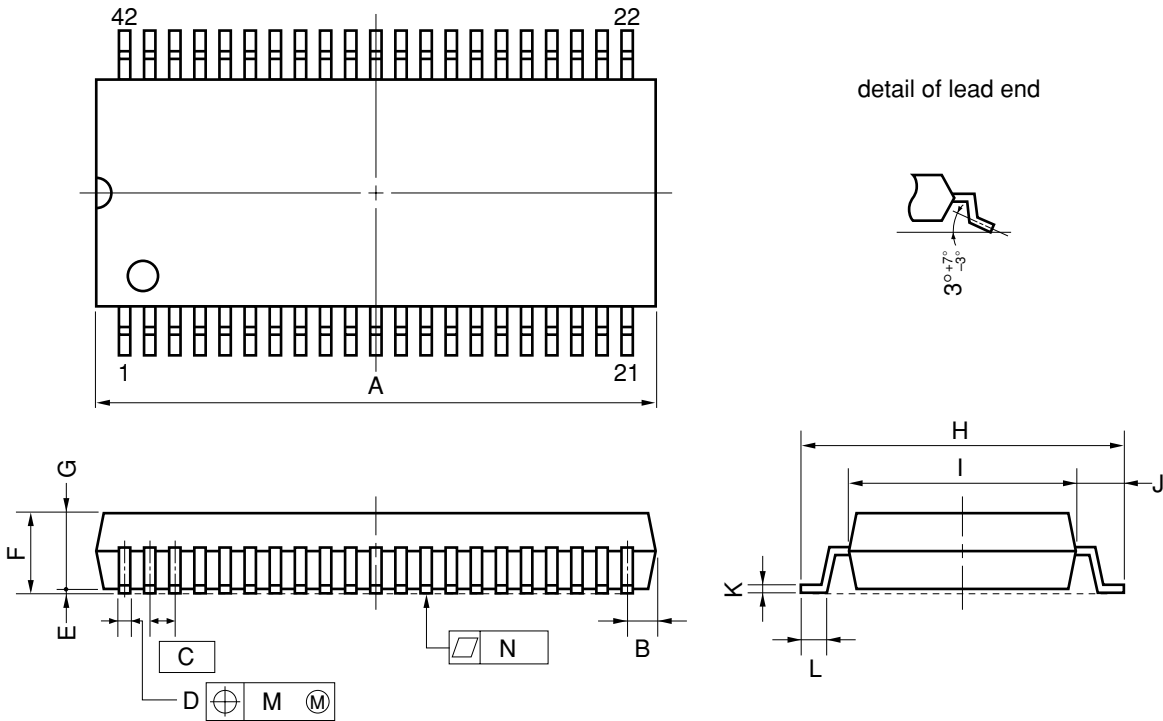
NOTES

- 1) Each lead centerline is located within 0.17 mm (0.007 inch) of its true position (T.P.) at maximum material condition.
- 2) Item "K" to center of leads when formed parallel.

| ITEM | MILLIMETERS                              | INCHES                                      |
|------|--|---|
| A    | 39.13 MAX.                               | 1.541 MAX.                                  |
| B    | 1.78 MAX.                                | 0.070 MAX.                                  |
| C    | 1.778 (T.P.)                             | 0.070 (T.P.)                                |
| D    | 0.50±0.10                                | 0.020 <sup>+0.004</sup> / <sub>-0.005</sub> |
| F    | 0.9 MIN.                                 | 0.035 MIN.                                  |
| G    | 3.2±0.3                                  | 0.126±0.012                                 |
| H    | 0.51 MIN.                                | 0.020 MIN.                                  |
| I    | 4.31 MAX.                                | 0.170 MAX.                                  |
| J    | 5.08 MAX.                                | 0.200 MAX.                                  |
| K    | 15.24 (T.P.)                             | 0.600 (T.P.)                                |
| L    | 13.2                                     | 0.520                                       |
| M    | 0.25 <sup>+0.10</sup> / <sub>-0.05</sub> | 0.010 <sup>+0.004</sup> / <sub>-0.003</sub> |
| N    | 0.17                                     | 0.007                                       |
| R    | 0~15°                                    | 0~15°                                       |

P42C-70-600A-1

42 PIN PLASTIC SHRINK SOP (375 mil)



**NOTE**

Each lead centerline is located within 0.10 mm (0.004 inch) of its true position (T.P.) at maximum material condition.

S42GT-80-375B-1

| ITEM | MILLIMETERS                            | INCHES                                    |
|------|--|---|
| A    | 18.16 MAX.                             | 0.715 MAX.                                |
| B    | 1.13 MAX.                              | 0.044 MAX.                                |
| C    | 0.8 (T.P.)                             | 0.031 (T.P.)                              |
| D    | 0.35 <sup>+0.10</sup> <sub>-0.05</sub> | 0.014 <sup>+0.004</sup> <sub>-0.003</sub> |
| E    | 0.125±0.075                            | 0.005±0.003                               |
| F    | 2.9 MAX.                               | 0.115 MAX.                                |
| G    | 2.5±0.2                                | 0.098 <sup>+0.009</sup> <sub>-0.008</sub> |
| H    | 10.3±0.3                               | 0.406 <sup>+0.012</sup> <sub>-0.013</sub> |
| I    | 7.15±0.2                               | 0.281 <sup>+0.009</sup> <sub>-0.008</sub> |
| J    | 1.6±0.2                                | 0.063±0.008                               |
| K    | 0.15 <sup>+0.10</sup> <sub>-0.05</sub> | 0.006 <sup>+0.004</sup> <sub>-0.002</sub> |
| L    | 0.8±0.2                                | 0.031 <sup>+0.009</sup> <sub>-0.008</sub> |
| M    | 0.10                                   | 0.004                                     |
| N    | 0.10                                   | 0.004                                     |

★ 12. RECOMMENDED SOLDERING CONDITIONS

The μPD75P0076 should be soldered and mounted under the following recommended conditions. For technical information, see the following website.

Semiconductor Device Mount Manual (<http://www.necel.com/pkg/en/mount/index.html>)

**Table 12-1. Surface Mounting Type Soldering Conditions**

(1) μPD75P0076GT: 42-pin plastic shrink SOP (375 mil, 0.8 mm pitch)

| Soldering Method | Soldering Conditions  | Recommended Condition Symbol |
|------------------|---|------------------------------|
| Infrared reflow  | Package peak temperature: 235°C, Time: 30 seconds max. (at 210°C or higher), Count: Twice or less   | IR35-00-2                    |
| VPS              | Package peak temperature: 215°C, Time: 40 seconds max. (at 200°C or higher), Count: Twice or less   | VP15-00-2                    |
| Wave soldering   | Solder bath temperature: 260°C max., Time: 10 seconds max., Count: Once<br>Preheating temperature: 120°C max. (package surface temperature) | WS60-00-1                    |
| Partial heating  | Pin temperature: 350°C max., Time: 3 seconds max. (per pin row)   | —                            |

**Caution** Do not use different soldering methods together (except for partial heating).

**Remark** For soldering methods and conditions other than those recommended above, contact an NEC Electronics sales representative.

★ (2) μPD75P0076GT-A: 42-pin plastic shrink SOP (375 mil, 0.8 mm pitch)

| Soldering Method | Soldering Conditions  | Recommended Condition Symbol |
|------------------|---|------------------------------|
| Infrared reflow  | Package peak temperature: 260°C, Time: 60 seconds max. (at 220°C or higher), Count: Three times or less, Exposure limit: 7 days <sup>Note</sup> (after that, prebake at 125°C for 20 to 72 hours) | IR60-207-3                   |
| Wave soldering   | For details, contact an NEC Electronics sales representative.   | —                            |
| Partial heating  | Pin temperature: 350°C max., Time: 3 seconds max. (per pin row)   | —                            |

**Note** After opening the dry pack, store it at 25°C or less and 65% RH or less for the allowable storage period.

**Caution** Do not use different soldering methods together (except for partial heating).

**Remarks**

1. Products with “-A” at the end of the part number are lead-free products.
2. For soldering methods and conditions other than those recommended above, contact an NEC Electronics sales representative.

Table 12-2. Insertion Type Soldering Conditions

μPD75P0076CU: 42-pin plastic shrink DIP (600 mil, 1.778 mm pitch)

★ μPD75P0076CU-A: 42-pin plastic shrink DIP (600 mil, 1.778 mm pitch)

| Soldering Method          | Soldering Conditions   |
|---------------------------|--|
| Wave soldering (pin only) | Solder bath temperature: 260°C max., Time: 10 seconds max.       |
| Partial heating           | Pin temperature: 300°C max., Time: 3 seconds max. (for each pin) |

**Caution** Apply wave soldering to pins only. See to it that the jet solder does not contact with the chip directly.

- Remarks**
1. Products with "-A" at the end of the part number are lead-free products.
  2. For soldering methods and conditions other than those recommended above, contact an NEC Electronics sales representative.



APPENDIX A DIFFERENCES AMONG μPD75068, 750068 AND 75P0076

| Parameter                     |                                    | μPD75068   | μPD750068  | μPD75P0076  |
|-------------------------------|------------------------------------|--|--|---|
| Program memory                |                                    | Mask ROM<br>0000H to 1F7FH<br>(8064 x 8 bits)  | Mask ROM<br>0000H to 1FFFH<br>(8192 x 8 bits)  | One-time PROM<br>0000H to 3FFFH<br>(16384 x 8 bits) |
| Data memory                   |                                    | 000H to 1FFH<br>(512 x 4 bits)   |  |   |
| CPU                           |                                    | 75X Standard CPU   | 75XL CPU   |   |
| General-purpose register      |                                    | 4 bits x 8 or 8 bits x 4   | (4 bits x 8 or 8 bits x 4) x 4 banks   |   |
| Instruction execution time    | When main system clock is selected | 0.95, 1.91, 15.3 μs<br>(during 4.19-MHz operation)   | <ul style="list-style-type: none"> <li>• 0.67, 1.33, 2.67, 10.7 μs (during 6.0-MHz operation)</li> <li>• 0.95, 1.91, 3.81, 15.3 μs (during 4.19-MHz operation)</li> </ul>  |   |
|                               | When subsystem clock is selected   | 122 μs (during 32.768-kHz operation)   |  |   |
| I/O port                      | CMOS input                         | 12 (Connections of on-chip pull-up resistor specified by software: 7)  |  |   |
|                               | CMOS input/output                  | 12 (Connections of on-chip pull-up resistor specified by software)   |  |   |
|                               | N-ch open-drain input/output       | 8 (on-chip pull-up resistor specified by mask option)<br>Withstand voltage is 10 V   | 8 (on-chip pull-up resistor specified by mask option)<br>Withstand voltage is 13 V   | 8 (no mask option)<br>Withstand voltage is 13 V     |
|                               | Total                              | 32   |  |   |
| Timer                         |                                    | 3 channels <ul style="list-style-type: none"> <li>• 8-bit timer/event counter</li> <li>• 8-bit basic interval timer</li> <li>• Watch timer</li> </ul>                          | 4 channels <ul style="list-style-type: none"> <li>• 8-bit timer/event counter 0 (watch timer output added)</li> <li>• 8-bit timer/event counter 1 (can be used as a 16-bit timer/event counter)</li> <li>• 8-bit basic interval timer/watchdog timer</li> <li>• Watch timer</li> </ul> |   |
| A/D converter                 |                                    | <ul style="list-style-type: none"> <li>• 8-bit resolution x 8 channels (successive approximation)</li> <li>• Can operate at the voltage from V<sub>DD</sub> = 2.7 V</li> </ul> | <ul style="list-style-type: none"> <li>• 8-bit resolution x 8 channels (successive approximation)</li> <li>• Can operate at the voltage from V<sub>DD</sub> = 1.8 V</li> </ul>   |   |
| Clock output (PCL)            |                                    | Φ, 524, 262, 65.5 kHz<br>(Main system clock: during 4.19-MHz operation)  | <ul style="list-style-type: none"> <li>• Φ, 1.05 MHz, 262 kHz, 65.5 kHz (Main system clock: during 4.19-MHz operation)</li> <li>• Φ, 1.5 MHz, 375 kHz, 93.8 kHz (Main system clock: during 6.0-MHz operation)</li> </ul>   |   |
| Buzzer output (BUZ)           |                                    | 2, 4, 32 kHz<br>(Main system clock: during 4.19-MHz operation or subsystem clock: during 32.768-kHz operation)   | <ul style="list-style-type: none"> <li>• 2, 4, 32 kHz (Main system clock: during 4.19-MHz operation or subsystem clock: during 32.768-kHz operation)</li> <li>• 2.93, 5.86, 46.9 kHz (Main system clock: during 6.0-MHz operation)</li> </ul>  |   |
| Serial interface              |                                    | 3 modes supported <ul style="list-style-type: none"> <li>• 3-wire serial I/O mode ...MSB/LSB first selectable</li> <li>• 2-wire serial I/O mode</li> <li>• SBI mode</li> </ul> | 2 modes supported <ul style="list-style-type: none"> <li>• 3-wire serial I/O mode...MSB/LSB first selectable</li> <li>• 2-wire serial I/O mode</li> </ul>  |   |
| Vectored interrupt            |                                    | 3 external, 3 internal   | 3 external, 4 internal   |   |
| Test inputs                   |                                    | 1 external, 1 internal   |  |   |
| Power supply voltage          |                                    | V <sub>DD</sub> = 2.7 to 6.0 V   | V <sub>DD</sub> = 1.8 to 5.5 V   |   |
| Operating ambient temperature |                                    | T <sub>A</sub> = -40 to +85 °C   |  |   |
| Package                       |                                    | <ul style="list-style-type: none"> <li>• 42-pin plastic shrink DIP (600 mil)</li> <li>• 44-pin plastic QFP (10 x 10 mm)</li> </ul>   | <ul style="list-style-type: none"> <li>• 42-pin plastic shrink DIP (600 mil, 1.778-mm pitch)</li> <li>• 42-pin plastic shrink SOP (375 mil, 0.8-mm pitch)</li> </ul>   |   |

★

★

★

Note Under development

**APPENDIX B DEVELOPMENT TOOLS**

The following development tools are provided for system development using the μPD75P0076. In the 75XL series, the common relocatable assembler of the series is used together with device files according to the product.

|   |                             |                             |  |                       |               |
|---|-----------------------------|-----------------------------|--|-----------------------|---------------|
| ★ | RA75X relocatable assembler | Host machine                |  | Order code (Part No.) |               |
|   |                             |                             | OS   |                       | Supply Medium |
|   |                             | PC-9800 Series              | MS-DOS™<br>( Ver.3.30 to Ver.6.2 <sup>Note</sup> ) | 3.5" 2HD              | μS5A13RA75X   |
|   |                             |                             |  | 5" 2HD                | μS5A10RA75X   |
|   |                             | IBM PC/AT™<br>or compatible | Refer to <b>OS for</b><br><b>IBM PCs</b>           | 3.5" 2HC              | μS7B13RA75X   |
|   |                             |                             |  | 5" 2HC                | μS7B10RA75X   |

|   |             |                            |   |                       |                |
|---|-------------|----------------------------|---|-----------------------|----------------|
| ★ | Device file | Host machine               |   | Order code (Part No.) |                |
|   |             |                            | OS  |                       | Supply Medium  |
|   |             | PC-9800 Series             | MS-DOS<br>( Ver.3.30 to Ver.6.2 <sup>Note</sup> ) | 3.5" 2HD              | μS5A13DF750068 |
|   |             |                            |   | 5" 2HD                | μS5A10DF750068 |
|   |             | IBM PC/AT<br>or compatible | Refer to <b>OS for</b><br><b>IBM PCs</b>          | 3.5" 2HC              | μS7B13DF750068 |
|   |             |                            |   | 5" 2HC                | μS7B10DF750068 |

**Note** Ver. 5.00 or later include a task swapping function, but this software is not able to use that function.

**Remark** Operation of the assembler and device file is guaranteed only when using the host machine and OS described above.

**PROM Write Tools**

|        |              |                    |   |   |                       |               |
|--------|--------------|--------------------|---|---|-----------------------|---------------|
|        | Hardware     | PG-1500            | This is a PROM programmer which enables you to program a single-chip microcontroller with on-chip PROM by stand-alone or host machine operation by connecting an attached board and a programmer adapter (sold separately).<br>In addition, typical PROMs in capacities ranging from 256 K to 4 M bits can be programmed. |   |                       |               |
|        |              | PA-75P0076CU       | This is a PROM programmer adapter dedicated for the μPD75P0076CU and 75P0076GT. It can be used when connected to a PG-1500.   |   |                       |               |
| ★      | Software     | PG-1500 controller | PG-1500 and a host machine are connected by serial and parallel interfaces and PG-1500 is controlled on the host machine.   |   |                       |               |
|        |              |                    | Host machine  |   | Order code (Part No.) |               |
|        |              |                    |   | OS  |                       | Supply medium |
|        |              |                    | PC-9800 Series  | MS-DOS<br>( Ver.3.30 to Ver.6.2 <sup>Note</sup> ) | 3.5" 2HD              | μS5A13PG1500  |
|        |              |                    |   |   | 5" 2HD                | μS5A10PG1500  |
|        |              |                    | IBM PC/AT<br>or compatible  | Refer to <b>OS for</b><br><b>IBM PCs</b>          | 3.5" 2HD              | μS7B13PG1500  |
| 5" 2HC | μS7B10PG1500 |                    |   |   |                       |               |

**Note** Ver. 5.00 or later include a task swapping function, but this software is not able to use that function.

**Remark** Operation of the PG-1500 controller is guaranteed only when using the host machine and OS described above.

**Debugging Tools**

In-circuit emulators (IE-75000-R and IE-75001-R) are provided as program debugging tools for the μPD75P0076.

Various system configurations using these in-circuit emulators are listed below.

|                            |                                |   |   |                       |               |
|----------------------------|--------------------------------|---|---|-----------------------|---------------|
| Hardware                   | IE-75000-R <sup>Note 1</sup>   | The IE-75000-R is an in-circuit emulator to be used for hardware and software debugging during development of application systems that use 75X or 75XL Series products. For development of the μPD750068 subseries, the IE-75000-R is used with a separately sold emulation board (IE-75300-R-EM) and emulation probe.<br>These products can be applied for highly efficient debugging when connected to a host machine and PROM programmer.<br>The IE-75000-R can include a connected emulation board (IE-75000-R-EM). |   |                       |               |
|                            | IE-75001-R                     | The IE-75001-R is an in-circuit emulator to be used for hardware and software debugging during development of application systems that use 75X or 75XL Series products. The IE-75001-R is used with a separately sold emulation board (IE-75300-R-EM) and emulation probe.<br>These products can be applied for highly efficient debugging when connected to a host machine and PROM programmer.  |   |                       |               |
|                            | IE-75300-R-EM                  | This is an emulation board for evaluating application systems that use the μPD750068 subseries. It is used in combination with the IE-75000-R or IE-75001-R in-circuit emulator.  |   |                       |               |
|                            | EP-750068CU-R                  | This is an emulation probe for the μPD75P0076CU.<br>When being used, it is connected with the IE-75000-R or IE-75001-R and the IE-75300-R-EM.   |   |                       |               |
|                            | EP-750068GT-R                  | This is an emulation probe for the μPD75P0076GT.  |   |                       |               |
|                            | EV-9500GT-42                   | When being used, it is connected with the IE-75000-R or IE-75001-R and the IE-75300-R-EM. It includes a flexible board (EV-9500GT-42) to facilitate connections with target systems.  |   |                       |               |
| Software                   | IE control program             | This program can control the IE-75000-R or IE-75001-R on a host machine when connected to the IE-75000-R or IE-75001-R via an RS-232-C or Centronics interface.   |   |                       |               |
|                            |                                | Host machine  |   | Order code (Part No.) |               |
|                            |                                |   | OS  |                       | Supply Medium |
|                            |                                | PC-9800 Series  | MS-DOS<br>( Ver.3.30 to Ver.6.2 <sup>Note 2</sup> ) | 3.5" 2HD              | μS5A13IE75X   |
|                            |                                |   |   | 5" 2HD                | μS5A10IE75X   |
| IBM PC/AT<br>or compatible | Refer to <b>OS for IBM PCs</b> | 3.5" 2HC  | μS7B13IE75X   |                       |               |
|                            |                                | 5" 2HC  | μS7B10IE75X   |                       |               |

★

- Notes**
1. This is a service part provided for maintenance purpose only.
  2. Ver. 5.00 or later include a task swapping function, but this software is not able to use that function.

- Remarks**
1. Operation of the IE control program is guaranteed only when using the host machine and OS described above.
  2. The generic name for the μPD750064, 750066, 750068, and 75P0076 is the μPD750068 subseries.

**OS for IBM PCs**

The following operating systems for the IBM PC are supported.

|   | OS       | Version   |
|---|----------|---|
| ★ | PC DOS™  | Ver.5.02 to Ver.6.3<br>J6.1/V <sup>Note</sup> to J6.3/V <sup>Note</sup> |
| ★ | MS-DOS   | Ver.5.0 to Ver.6.22<br>5.0/V <sup>Note</sup> to 6.2/V <sup>Note</sup>   |
|   | IBM DOS™ | J5.02/V <sup>Note</sup>   |

**Note** Only the English mode is supported.

**Caution** Ver 5.0 and above include a task swapping function, but this software is not able to use that function.

★ **APPENDIX C RELATED DOCUMENTS**

The related documents indicated in this publication may include preliminary versions. However, preliminary versions are not marked as such.

**Documents related to device**

| Document Name   | Document No.            |          |
|---|-------------------------|----------|
|   | English                 | Japanese |
| μPD750064, 750066, 750068, 750064(A), 750066(A), 750068(A) Data Sheet | U10165E <sup>Note</sup> | U10165J  |
| μPD75P0076 Data Sheet   | This document           | U10232J  |
| μPD750068 User's Manual   | U10670E                 | U10670J  |
| μPD750068 Instruction Table   | —                       | IEM-5606 |
| 75XL Series Selection Guide   | U10453E                 | U10453J  |

**Note** Preliminary product information

**Documents related to development tool**

| Document Name |                                       | Document No.                 |          |          |
|---------------|---------------------------------------|------------------------------|----------|----------|
|               |                                       | English                      | Japanese |          |
| Hardware      | IE-75000-R/IE-75001-R User's Manual   | EEU-1416                     | EEU-846  |          |
|               | IE-75300-R-EM User's Manual           | U11345E                      | U11354J  |          |
|               | EP-750068GT-R User's Manual           | U10950E                      | U10950J  |          |
|               | PG-1500 User's Manual                 | EEU-1335                     | EEU-651  |          |
| Software      | RA75X Assembler Package User's Manual | Operation                    | EEU-1346 | EEU-731  |
|               |                                       | Language                     | EEU-1363 | EEU-730  |
|               | PG-1500 Controller User's Manual      | PC-9800 Series (MS-DOS) base | EEU-1291 | EEU-704  |
|               |                                       | IBM PC Series (PC DOS) base  | U10540E  | EEU-5008 |

**Other related documents**

| Document Name  | Document No. |          |
|--|--------------|----------|
|  | English      | Japanese |
| IC Package Manual  | C10943X      |          |
| Semiconductor Device Mounting Technology Manual              | C10535E      | C10535J  |
| NEC Semiconductor Device Quality Grades                      | C11531E      | C11531J  |
| NEC Semiconductor Device Reliability and Quality Control     | C10983E      | C10983J  |
| Electrostatic Discharge (ESD) Test                           | —            | MEM-539  |
| Semiconductor Device Quality Assurance Guide                 | MEI-1202     | MEI-603  |
| Microcontroller-related Product Guide —Third Party Products— | —            | U11416J  |

**Caution** The contents of the documents listed above are subject to change without prior notice to users. Make sure to use the latest edition when starting design.

## NOTES FOR CMOS DEVICES

**① VOLTAGE APPLICATION WAVEFORM AT INPUT PIN**

Waveform distortion due to input noise or a reflected wave may cause malfunction. If the input of the CMOS device stays in the area between  $V_{IL}$  (MAX) and  $V_{IH}$  (MIN) due to noise, etc., the device may malfunction. Take care to prevent chattering noise from entering the device when the input level is fixed, and also in the transition period when the input level passes through the area between  $V_{IL}$  (MAX) and  $V_{IH}$  (MIN).

**② HANDLING OF UNUSED INPUT PINS**

Unconnected CMOS device inputs can be cause of malfunction. If an input pin is unconnected, it is possible that an internal input level may be generated due to noise, etc., causing malfunction. CMOS devices behave differently than Bipolar or NMOS devices. Input levels of CMOS devices must be fixed high or low by using pull-up or pull-down circuitry. Each unused pin should be connected to  $V_{DD}$  or GND via a resistor if there is a possibility that it will be an output pin. All handling related to unused pins must be judged separately for each device and according to related specifications governing the device.

**③ PRECAUTION AGAINST ESD**

A strong electric field, when exposed to a MOS device, can cause destruction of the gate oxide and ultimately degrade the device operation. Steps must be taken to stop generation of static electricity as much as possible, and quickly dissipate it when it has occurred. Environmental control must be adequate. When it is dry, a humidifier should be used. It is recommended to avoid using insulators that easily build up static electricity. Semiconductor devices must be stored and transported in an anti-static container, static shielding bag or conductive material. All test and measurement tools including work benches and floors should be grounded. The operator should be grounded using a wrist strap. Semiconductor devices must not be touched with bare hands. Similar precautions need to be taken for PW boards with mounted semiconductor devices.

**④ STATUS BEFORE INITIALIZATION**

Power-on does not necessarily define the initial status of a MOS device. Immediately after the power source is turned ON, devices with reset functions have not yet been initialized. Hence, power-on does not guarantee output pin levels, I/O settings or contents of registers. A device is not initialized until the reset signal is received. A reset operation must be executed immediately after power-on for devices with reset functions.

**⑤ POWER ON/OFF SEQUENCE**

In the case of a device that uses different power supplies for the internal operation and external interface, as a rule, switch on the external power supply after switching on the internal power supply. When switching the power supply off, as a rule, switch off the external power supply and then the internal power supply. Use of the reverse power on/off sequences may result in the application of an overvoltage to the internal elements of the device, causing malfunction and degradation of internal elements due to the passage of an abnormal current.

The correct power on/off sequence must be judged separately for each device and according to related specifications governing the device.

**⑥ INPUT OF SIGNAL DURING POWER OFF STATE**

Do not input signals or an I/O pull-up power supply while the device is not powered. The current injection that results from input of such a signal or I/O pull-up power supply may cause malfunction and the abnormal current that passes in the device at this time may cause degradation of internal elements. Input of signals during the power off state must be judged separately for each device and according to related specifications governing the device.

## Regional Information

Some information contained in this document may vary from country to country. Before using any NEC Electronics product in your application, please contact the NEC Electronics office in your country to obtain a list of authorized representatives and distributors. They will verify:

- Device availability
- Ordering information
- Product release schedule
- Availability of related technical literature
- Development environment specifications (for example, specifications for third-party tools and components, host computers, power plugs, AC supply voltages, and so forth)
- Network requirements

In addition, trademarks, registered trademarks, export restrictions, and other legal issues may also vary from country to country.

### [GLOBAL SUPPORT]

<http://www.necel.com/en/support/support.html>

**NEC Electronics America, Inc. (U.S.)**  
Santa Clara, California  
Tel: 408-588-6000  
800-366-9782

**NEC Electronics (Europe) GmbH**  
Duesseldorf, Germany  
Tel: 0211-65030

**NEC Electronics Hong Kong Ltd.**  
Hong Kong  
Tel: 2886-9318

- **Sucursal en España**  
Madrid, Spain  
Tel: 091-504 27 87

**NEC Electronics Hong Kong Ltd.**  
Seoul Branch  
Seoul, Korea  
Tel: 02-558-3737

- **Succursale Française**  
Vélizy-Villacoublay, France  
Tel: 01-30-67 58 00

**NEC Electronics Shanghai Ltd.**  
Shanghai, P.R. China  
Tel: 021-5888-5400

- **Filiale Italiana**  
Milano, Italy  
Tel: 02-66 75 41

**NEC Electronics Taiwan Ltd.**  
Taipei, Taiwan  
Tel: 02-2719-2377

- **Branch The Netherlands**  
Eindhoven, The Netherlands  
Tel: 040-265 40 10

**NEC Electronics Singapore Pte. Ltd.**  
Novena Square, Singapore  
Tel: 6253-8311

- **Tyskland Filial**  
Taebby, Sweden  
Tel: 08-63 87 200

- **United Kingdom Branch**  
Milton Keynes, UK  
Tel: 01908-691-133

MS-DOS is a trademark of Microsoft Corporation.

PC DOS, PC/AT, and IBM DOS are trademarks of IBM Corporation.

These commodities, technology or software, must be exported in accordance with the export administration regulations of the exporting country. Diversion contrary to the law of that country is prohibited.

• **The information in this document is current as of August, 2005. The information is subject to change without notice. For actual design-in, refer to the latest publications of NEC Electronics data sheets or data books, etc., for the most up-to-date specifications of NEC Electronics products. Not all products and/or types are available in every country. Please check with an NEC Electronics sales representative for availability and additional information.**

- No part of this document may be copied or reproduced in any form or by any means without the prior written consent of NEC Electronics. NEC Electronics assumes no responsibility for any errors that may appear in this document.
- NEC Electronics does not assume any liability for infringement of patents, copyrights or other intellectual property rights of third parties by or arising from the use of NEC Electronics products listed in this document or any other liability arising from the use of such products. No license, express, implied or otherwise, is granted under any patents, copyrights or other intellectual property rights of NEC Electronics or others.
- Descriptions of circuits, software and other related information in this document are provided for illustrative purposes in semiconductor product operation and application examples. The incorporation of these circuits, software and information in the design of a customer's equipment shall be done under the full responsibility of the customer. NEC Electronics assumes no responsibility for any losses incurred by customers or third parties arising from the use of these circuits, software and information.
- While NEC Electronics endeavors to enhance the quality, reliability and safety of NEC Electronics products, customers agree and acknowledge that the possibility of defects thereof cannot be eliminated entirely. To minimize risks of damage to property or injury (including death) to persons arising from defects in NEC Electronics products, customers must incorporate sufficient safety measures in their design, such as redundancy, fire-containment and anti-failure features.
- NEC Electronics products are classified into the following three quality grades: "Standard", "Special" and "Specific".

The "Specific" quality grade applies only to NEC Electronics products developed based on a customer-designated "quality assurance program" for a specific application. The recommended applications of an NEC Electronics product depend on its quality grade, as indicated below. Customers must check the quality grade of each NEC Electronics product before using it in a particular application.

"Standard": Computers, office equipment, communications equipment, test and measurement equipment, audio and visual equipment, home electronic appliances, machine tools, personal electronic equipment and industrial robots.

"Special": Transportation equipment (automobiles, trains, ships, etc.), traffic control systems, anti-disaster systems, anti-crime systems, safety equipment and medical equipment (not specifically designed for life support).

"Specific": Aircraft, aerospace equipment, submersible repeaters, nuclear reactor control systems, life support systems and medical equipment for life support, etc.

The quality grade of NEC Electronics products is "Standard" unless otherwise expressly specified in NEC Electronics data sheets or data books, etc. If customers wish to use NEC Electronics products in applications not intended by NEC Electronics, they must contact an NEC Electronics sales representative in advance to determine NEC Electronics' willingness to support a given application.

(Note)

- (1) "NEC Electronics" as used in this statement means NEC Electronics Corporation and also includes its majority-owned subsidiaries.
- (2) "NEC Electronics products" means any product developed or manufactured by or for NEC Electronics (as defined above).