

To our customers,

---

## Old Company Name in Catalogs and Other Documents

---

On April 1<sup>st</sup>, 2010, NEC Electronics Corporation merged with Renesas Technology Corporation, and Renesas Electronics Corporation took over all the business of both companies. Therefore, although the old company name remains in this document, it is a valid Renesas Electronics document. We appreciate your understanding.

Renesas Electronics website: <http://www.renesas.com>

April 1<sup>st</sup>, 2010  
Renesas Electronics Corporation

Issued by: Renesas Electronics Corporation (<http://www.renesas.com>)

Send any inquiries to <http://www.renesas.com/inquiry>.

## Notice

1. All information included in this document is current as of the date this document is issued. Such information, however, is subject to change without any prior notice. Before purchasing or using any Renesas Electronics products listed herein, please confirm the latest product information with a Renesas Electronics sales office. Also, please pay regular and careful attention to additional and different information to be disclosed by Renesas Electronics such as that disclosed through our website.
2. Renesas Electronics does not assume any liability for infringement of patents, copyrights, or other intellectual property rights of third parties by or arising from the use of Renesas Electronics products or technical information described in this document. No license, express, implied or otherwise, is granted hereby under any patents, copyrights or other intellectual property rights of Renesas Electronics or others.
3. You should not alter, modify, copy, or otherwise misappropriate any Renesas Electronics product, whether in whole or in part.
4. Descriptions of circuits, software and other related information in this document are provided only to illustrate the operation of semiconductor products and application examples. You are fully responsible for the incorporation of these circuits, software, and information in the design of your equipment. Renesas Electronics assumes no responsibility for any losses incurred by you or third parties arising from the use of these circuits, software, or information.
5. When exporting the products or technology described in this document, you should comply with the applicable export control laws and regulations and follow the procedures required by such laws and regulations. You should not use Renesas Electronics products or the technology described in this document for any purpose relating to military applications or use by the military, including but not limited to the development of weapons of mass destruction. Renesas Electronics products and technology may not be used for or incorporated into any products or systems whose manufacture, use, or sale is prohibited under any applicable domestic or foreign laws or regulations.
6. Renesas Electronics has used reasonable care in preparing the information included in this document, but Renesas Electronics does not warrant that such information is error free. Renesas Electronics assumes no liability whatsoever for any damages incurred by you resulting from errors in or omissions from the information included herein.
7. Renesas Electronics products are classified according to the following three quality grades: “Standard”, “High Quality”, and “Specific”. The recommended applications for each Renesas Electronics product depends on the product’s quality grade, as indicated below. You must check the quality grade of each Renesas Electronics product before using it in a particular application. You may not use any Renesas Electronics product for any application categorized as “Specific” without the prior written consent of Renesas Electronics. Further, you may not use any Renesas Electronics product for any application for which it is not intended without the prior written consent of Renesas Electronics. Renesas Electronics shall not be in any way liable for any damages or losses incurred by you or third parties arising from the use of any Renesas Electronics product for an application categorized as “Specific” or for which the product is not intended where you have failed to obtain the prior written consent of Renesas Electronics. The quality grade of each Renesas Electronics product is “Standard” unless otherwise expressly specified in a Renesas Electronics data sheets or data books, etc.
  - “Standard”: Computers; office equipment; communications equipment; test and measurement equipment; audio and visual equipment; home electronic appliances; machine tools; personal electronic equipment; and industrial robots.
  - “High Quality”: Transportation equipment (automobiles, trains, ships, etc.); traffic control systems; anti-disaster systems; anti-crime systems; safety equipment; and medical equipment not specifically designed for life support.
  - “Specific”: Aircraft; aerospace equipment; submersible repeaters; nuclear reactor control systems; medical equipment or systems for life support (e.g. artificial life support devices or systems), surgical implantations, or healthcare intervention (e.g. excision, etc.), and any other applications or purposes that pose a direct threat to human life.
8. You should use the Renesas Electronics products described in this document within the range specified by Renesas Electronics, especially with respect to the maximum rating, operating supply voltage range, movement power voltage range, heat radiation characteristics, installation and other product characteristics. Renesas Electronics shall have no liability for malfunctions or damages arising out of the use of Renesas Electronics products beyond such specified ranges.
9. Although Renesas Electronics endeavors to improve the quality and reliability of its products, semiconductor products have specific characteristics such as the occurrence of failure at a certain rate and malfunctions under certain use conditions. Further, Renesas Electronics products are not subject to radiation resistance design. Please be sure to implement safety measures to guard them against the possibility of physical injury, and injury or damage caused by fire in the event of the failure of a Renesas Electronics product, such as safety design for hardware and software including but not limited to redundancy, fire control and malfunction prevention, appropriate treatment for aging degradation or any other appropriate measures. Because the evaluation of microcomputer software alone is very difficult, please evaluate the safety of the final products or system manufactured by you.
10. Please contact a Renesas Electronics sales office for details as to environmental matters such as the environmental compatibility of each Renesas Electronics product. Please use Renesas Electronics products in compliance with all applicable laws and regulations that regulate the inclusion or use of controlled substances, including without limitation, the EU RoHS Directive. Renesas Electronics assumes no liability for damages or losses occurring as a result of your noncompliance with applicable laws and regulations.
11. This document may not be reproduced or duplicated, in any form, in whole or in part, without prior written consent of Renesas Electronics.
12. Please contact a Renesas Electronics sales office if you have any questions regarding the information contained in this document or Renesas Electronics products, or if you have any other inquiries.

(Note 1) “Renesas Electronics” as used in this document means Renesas Electronics Corporation and also includes its majority-owned subsidiaries.

(Note 2) “Renesas Electronics product(s)” means any product developed or manufactured by or for Renesas Electronics.

# μPD753204, 753206, 753208

## 4-BIT SINGLE-CHIP MICROCONTROLLERS

The μPD753208 is one of the 75XL Series 4-bit single-chip microcontrollers and has a data processing capability comparable to that of an 8-bit microcontroller.

The μPD753208 has an on-chip LCD controller/driver and is based on the μPD75308B of the 75X Series. However, the μPD75308B is supplied in an 80-pin package, whereas the μPD753208 is supplied in a 48-pin package (375 mils, 0.65-mm pitch) and therefore is suitable for small-scale application systems. In addition, the μPD753208 features expanded CPU functions and performs high-speed operations at a low voltage of 1.8 V.

**Detailed information about functions can be found in the following user's manual. Be sure to read it before designing. μPD753208 User's Manual: U10158E**

### Features

- Low-voltage operation:  $V_{DD} = 1.8$  to  $5.5$  V
  - Can be driven by two 1.5-V batteries
- Internal memory
  - Program memory (ROM):
    - 4096 × 8 bits (μPD753204)
    - 6144 × 8 bits (μPD753206)
    - 8192 × 8 bits (μPD753208)
  - Data memory (RAM):
    - 512 × 4 bits
- Variable instruction execution time for high-speed operation and power saving operation
  - 0.95, 1.91, 3.81, 15.3 μs (@ 4.19-MHz operation)
  - 0.67, 1.33, 2.67, 10.7 μs (@ 6.0-MHz operation)
- Internal programmable LCD controller/driver
- Small package:
  - 48-pin plastic shrink SOP (375 mils, 0.65-mm pitch)
- One-time PROM version: μPD75P3216

### Applications

Remote controllers, Cameras, Sphygmomometers, Compact-disc radio cassette player compo systems, gas meters, etc.

**Unless otherwise specified, references in this data sheet to the μPD753208 mean the μPD753204 and the μPD753206.**

The information in this document is subject to change without notice. Before using this document, please confirm that this is the latest version.  
 Not all products and/or types are available in every country. Please check with an NEC Electronics sales representative for availability and additional information.

**Ordering Information**

	Part number	Package	ROM (× 8 bits)
	μPD753204GT-xxx	48-pin plastic shrink SOP (375 mils, 0.65-mm pitch)	4096
★	μPD753204GT-xxx-A	48-pin plastic shrink SOP (375 mils, 0.65-mm pitch)	4096
	μPD753206GT-xxx	48-pin plastic shrink SOP (375 mils, 0.65-mm pitch)	6144
★	μPD753206GT-xxx-A	48-pin plastic shrink SOP (375 mils, 0.65-mm pitch)	6144
	μPD753208GT-xxx	48-pin plastic shrink SOP (375 mils, 0.65-mm pitch)	8192
★	μPD753208GT-xxx-A	48-pin plastic shrink SOP (375 mils, 0.65-mm pitch)	8192

- Remarks**
1. Products with “-A” at the end of the part number are lead-free products.
  2. xxx indicates ROM code suffix.

Function Outline

Parameter		Function	
Instruction execution time		<ul style="list-style-type: none"> <li>• 0.95, 1.91, 3.81, 15.3 μs (@ 4.19-MHz operation with system clock)</li> <li>• 0.67, 1.33, 2.67, 10.7 μs (@ 6.0-MHz operation with system clock)</li> </ul>	
Internal memory	ROM	4096 × 8 bits (μPD753204)	
		6144 × 8 bits (μPD753206)	
		8192 × 8 bits (μPD753208)	
	RAM	512 × 4 bits	
General-purpose register		<ul style="list-style-type: none"> <li>• 4-bit operation: 8 × 4 banks</li> <li>• 8-bit operation: 4 × 4 banks</li> </ul>	
Input/output port	CMOS input	6	Connecting on-chip pull-up resistors can be specified by software: 5
	CMOS input/output	20	Connecting on-chip pull-up resistors can be specified by software: 20 Also used for segment pins: 8
	N-ch open-drain input/output	4	On-chip pull-up resistors can be specified by mask option 13-V withstand voltage
	Total	30	
LCD controller/driver		<ul style="list-style-type: none"> <li>• Segment selection: 4/8/12 segments (can be changed to CMOS input/output port in 4-time units; max. 8)</li> <li>• Display mode selection: Static <ul style="list-style-type: none"> <li>1/2 duty (1/2 bias)</li> <li>1/3 duty (1/2 bias)</li> <li>1/3 duty (1/3 bias)</li> <li>1/4 duty (1/3 bias)</li> </ul> </li> <li>• On-chip split resistor for LCD drive can be specified by mask option</li> </ul>	
Timer		5 channels <ul style="list-style-type: none"> <li>• 8-bit timer/event counter: 1 channel</li> <li>• 8-bit timer counter: 2 channels (can be used as the 16-bit timer counter, carrier generator, and timer with gate)</li> <li>• Basic interval timer/watchdog timer: 1 channel</li> <li>• Watch timer: 1 channel</li> </ul>	
Serial interface		<ul style="list-style-type: none"> <li>• 3-wire serial I/O mode ... MSB or LSB can be selected for transferring first bit</li> <li>• 2-wire serial I/O mode</li> <li>• SBI mode</li> </ul>	
Bit sequential buffer (BSB)		16 bits	
Clock output (PCL)		<ul style="list-style-type: none"> <li>• Φ, 524, 262, 65.5 kHz (@ 4.19-MHz operation with system clock)</li> <li>• Φ, 750, 375, 93.8 kHz (@ 6.0-MHz operation with system clock)</li> </ul>	
Buzzer output (BUZ)		<ul style="list-style-type: none"> <li>• 2, 4, 32 kHz (@ 4.19-MHz operation with system clock)</li> <li>• 2.93, 5.86, 46.9 kHz (@ 6.0-MHz with system clock)</li> </ul>	
Vectored interrupts		External: 2, Internal: 5	
Test input		External: 1, Internal: 1	
System clock oscillator		Ceramic or crystal oscillator for system clock oscillation	
Standby function		STOP/HALT mode	
Power supply voltage		V <sub>DD</sub> = 1.8 to 5.5 V	
Package		48-pin plastic shrink SOP (375 mils, 0.65-mm pitch)	

**CONTENTS**

1. PIN CONFIGURATION (TOP VIEW) ..... 6

2. BLOCK DIAGRAM ..... 7

3. PIN FUNCTIONS ..... 8

    3.1 Port Pins ..... 8

    3.2 Non-Port Pins ..... 10

    3.3 Pin Input/Output Circuits ..... 12

    3.4 Recommended Connections for Unused Pins ..... 14

4. SWITCHING FUNCTION BETWEEN Mk I MODE AND Mk II MODE ..... 15

    4.1 Difference Between Mk I and Mk II Modes ..... 15

    4.2 Setting Method of Stack Bank Select Register (SBS) ..... 16

5. MEMORY CONFIGURATION ..... 17

6. PERIPHERAL HARDWARE FUNCTION ..... 22

    6.1 Digital I/O Port ..... 22

    6.2 Clock Generator ..... 23

    6.3 Clock Output Circuit ..... 24

    6.4 Basic Interval Timer/Watchdog Timer ..... 25

    6.5 Watch Timer ..... 26

    6.6 Timer/Event Counter ..... 27

    6.7 Serial Interface ..... 31

    6.8 LCD Controller/Driver ..... 33

    6.9 Bit Sequential Buffer ..... 35

7. INTERRUPT FUNCTION AND TEST FUNCTION ..... 36

8. STANDBY FUNCTION ..... 38

9. RESET FUNCTION ..... 39

10. MASK OPTION ..... 42

11. INSTRUCTION SET ..... 43

12. ELECTRICAL SPECIFICATIONS ..... 57

13. CHARACTERISTIC CURVES (REFERENCE VALUES) ..... 69

14. PACKAGE DRAWINGS ..... 71

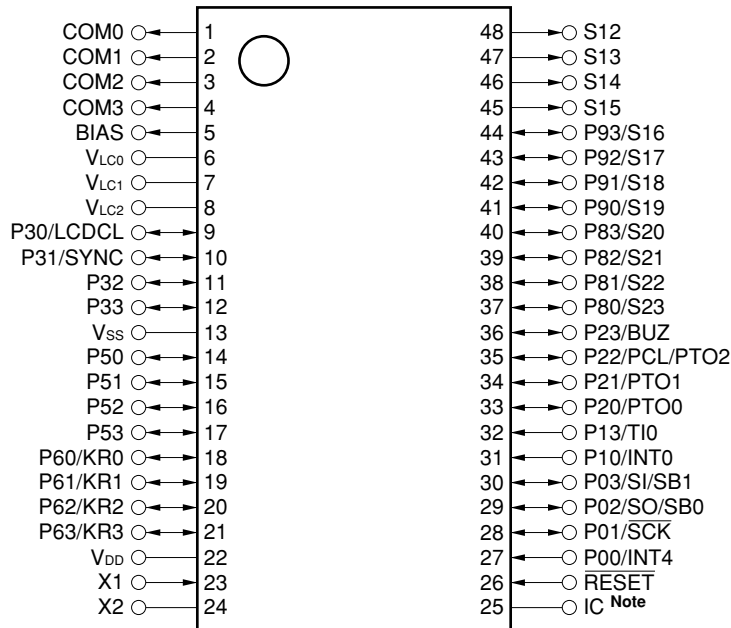
15. RECOMMENDED SOLDERING CONDITIONS ..... 72

APPENDIX A	$\mu$ PD753108, 753208, AND 75P3216 FUNCTIONAL LIST .....	73
APPENDIX B	DEVELOPMENT TOOLS .....	75
APPENDIX C	RELATED DOCUMENTS .....	78

1. PIN CONFIGURATION (TOP VIEW)

• 48-pin plastic shrink SOP (375 mils, 0.65-mm pitch)

- ★ μPD753204GT-xxx, μPD753204GT-xxx-A, μPD753206GT-xxx, μPD753206GT-xxx-A,
- ★ μPD753208GT-xxx, μPD753208GT-xxx-A



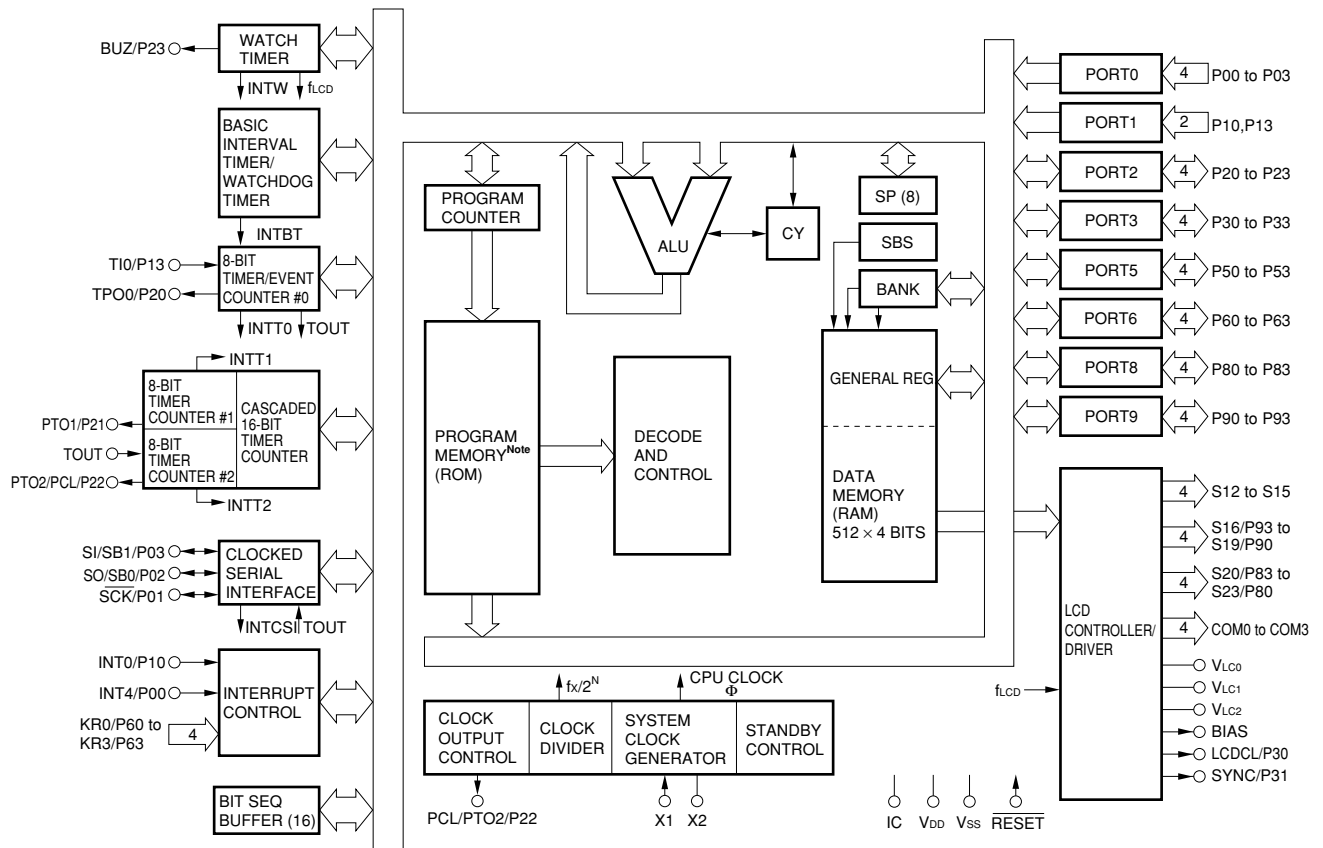
**Note** Connect IC (Internally Connected) pin directly to V<sub>DD</sub>.

**Pin Identification**

P00 to P03	: Port0	S12 to S23	: Segment Output 12 to 23
P10, P13	: Port1	V <sub>LC0</sub> to V <sub>LC2</sub>	: LCD Power Supply 0 to 2
P20 to P23	: Port2	BIAS	: LCD Power Supply Bias Control
P30 to P33	: Port3	LCDCL	: LCD Clock
P50 to P53	: Port5	SYNC	: LCD Synchronization
P60 to P63	: Port6	TI0	: Timer Input 0
P80 to P83	: Port8	PTO0 to PTO2	: Programmable Timer Output 0 to 2
P90 to P93	: Port9	BUZ	: Buzzer Clock
KR0 to KR3	: Key Return 0 to 3	PCL	: Programmable Clock
COM0 to COM3	: Common Output 0 to 3	INT0, INT4	: External Vectored Interrupt 0, 4
SCK	: Serial Clock	X1, X2	: System Clock Oscillation 1, 2
SI	: Serial Input	RESET	: Reset
SO	: Serial Output	IC	: Internally Connected
SB0, SB1	: Serial Data Bus 0, 1	V <sub>DD</sub>	: Positive Power Supply
		V <sub>SS</sub>	: Ground



2. BLOCK DIAGRAM



**Note** The ROM capacity depends on the product.

### 3. PIN FUNCTION

#### 3.1 Port Pins (1/2)

Pin Name	Input/Output	Alternate Function	Function	8-bit I/O	After Reset	I/O Circuit TYPE <sup>Note 1</sup>
P00	Input	INT4	4-bit input port (PORT0). For P01 to P03, on-chip pull-up resistors can be specified by software in 3-bit units.	No	Input	(B)
P01	Input/Output	$\overline{SCK}$				(F)-A
P02	Input/Output	SO/SB0				(F)-B
P03	Input/Output	SI/SB1				(M)-C
P10	Input	INT0	Input port in 1 bit unit (PORT1). On-chip pull-up resistors can be specified by software in 2-bit units. Noise elimination circuit can be specified with P10/INT0.	No	Input	(B)-C
P13		TIO				
P20	Input/Output	PTO0	4-bit input/output port (PORT2). On-chip pull-up resistors can be specified by software in 4-bit units.	No	Input	E-B
P21		PTO1				
P22		PCL/PTO2				
P23		BUZ				
P30	Input/Output	LCDCL	Programmable 4-bit input/output port (PORT3). This port can be specified input/output bit-wise. On-chip pull-up resistor can be specified by software in 4-bit units.	No	Input	E-B
P31		SYNC				
P32		–				
P33		–				
P50 to P53 <sup>Note 2</sup>	Input/Output	–	N-ch open-drain 4-bit input/output port (PORT5). A pull-up resistor can be contained bit-wise (mask option). Withstand voltage is 13 V in open-drain mode.	No	High level (when pull-up resistors are provided) or high-impedance	M-D

- Notes**
1. Characters in parentheses indicate the Schmitt-trigger input.
  2. If on-chip pull-up resistors are not specified by mask option (when used as N-ch open-drain input port), low level input leakage current increases when input or bit manipulation instruction is executed.

3.1 Port Pins (2/2)

Pin Name	Input/Output	Alternate Function	Function	8-bit I/O	After Reset	I/O Circuit TYPE <small>Note 1</small>
P60	Input/Output	KR0	Programmable 4-bit input/output port (PORT6). This port can be specified for input/output bit-wise. On-chip pull-up resistors can be specified by software in 4-bit units.	No	Input	(F)-A
P61		KR1				
P62		KR2				
P63		KR3				
P80	Input/Output	S23	4-bit input/output port (PORT8). On-chip pull-up resistors can be specified by software in 4-bit units. <small>Note 2</small>	Yes	Input	H
P81		S22				
P82		S21				
P83		S20				
P90	Input/Output	S19	4-bit input/output port (PORT9). On-chip pull-up resistors can be specified by software in 4-bit units. <small>Note 2</small>		Input	H
P91		S18				
P92		S17				
P93		S16				

- Notes**
1. Characters in parentheses indicate the Schmitt-trigger input.
  2. Do not connect on-chip pull-up resistors specified by software when using as segment signal output pins.

3.2 Non-Port Pins (1/2)

Pin Name	Input/Output	Alternate Function	Function	After Reset	I/O Circuit TYPE <small>Note 1</small>
TI0	Input	P13	Inputs external event pulses to the timer/event counter.	Input	(B)-C
PTO0	Output	P20	Timer/event counter output	Input	E-B
PTO1		P21	Timer counter output		
PTO2		P22/PCL	Clock output		
PCL		P22/PTO2			
BUZ		P23	Optional frequency output (for buzzer output or system clock trimming)		
SCK	Input/Output	P01	Serial clock input/output	Input	(F)-A
SO/SB0		P02	Serial data output Serial data bus input/output		(F)-B
SI/SB1		P03	Serial data input Serial data bus input/output		(M)-C
INT4	Input	P00	Edge detection vectored interrupt input (both rising edge and falling edge detection)	Input	(B)
INT0	Input	P10	Edge detection vectored interrupt input (detection edge can be selected). Noise elimination circuit can be specified.	Input	(B)-C
KR0 to KR3	Input/Output	P60 to P63	Falling edge detection testable input	Input	(F)-A
S12 to S15	Output	–	Segment signal output	<b>Note 2</b>	G-A
S16 to S19	Output	P93 to P90	Segment signal output	Input	H
S20 to S23	Output	P83 to P80	Segment signal output	Input	H
COM0 to COM3	Output	–	Common signal output	<b>Note 2</b>	G-B
V <sub>Lc0</sub> to V <sub>Lc2</sub>	–	–	LCD drive power On-chip split resistor is enable (mask option).	–	–
BIAS	Output	–	Output for external split resistor disconnect	<b>Note 3</b>	–
LCDCL <small>Note 4</small>	Input/Output	P30	Clock output for externally expanded driver	Input	E-B
SYNC <small>Note 4</small>	Input/Output	P31	Clock output for externally expanded driver sync	Input	E-B

- Notes**
1. Characters in parentheses indicate the Schmitt trigger input.
  2. Each display output selects the following VLCX as input source.  
S12 to S15: V<sub>Lc1</sub>, COM0 to COM2: V<sub>Lc2</sub>, COM3: V<sub>Lc0</sub>.
  3. When a split resistor is contained ..... Low level  
When no split resistor is contained .....High-impedance
  4. These pins are provided for future system expansion.  
At present, these pins are used only as pins P30 and P31.

3.2 Non-Port Pins (2/2)

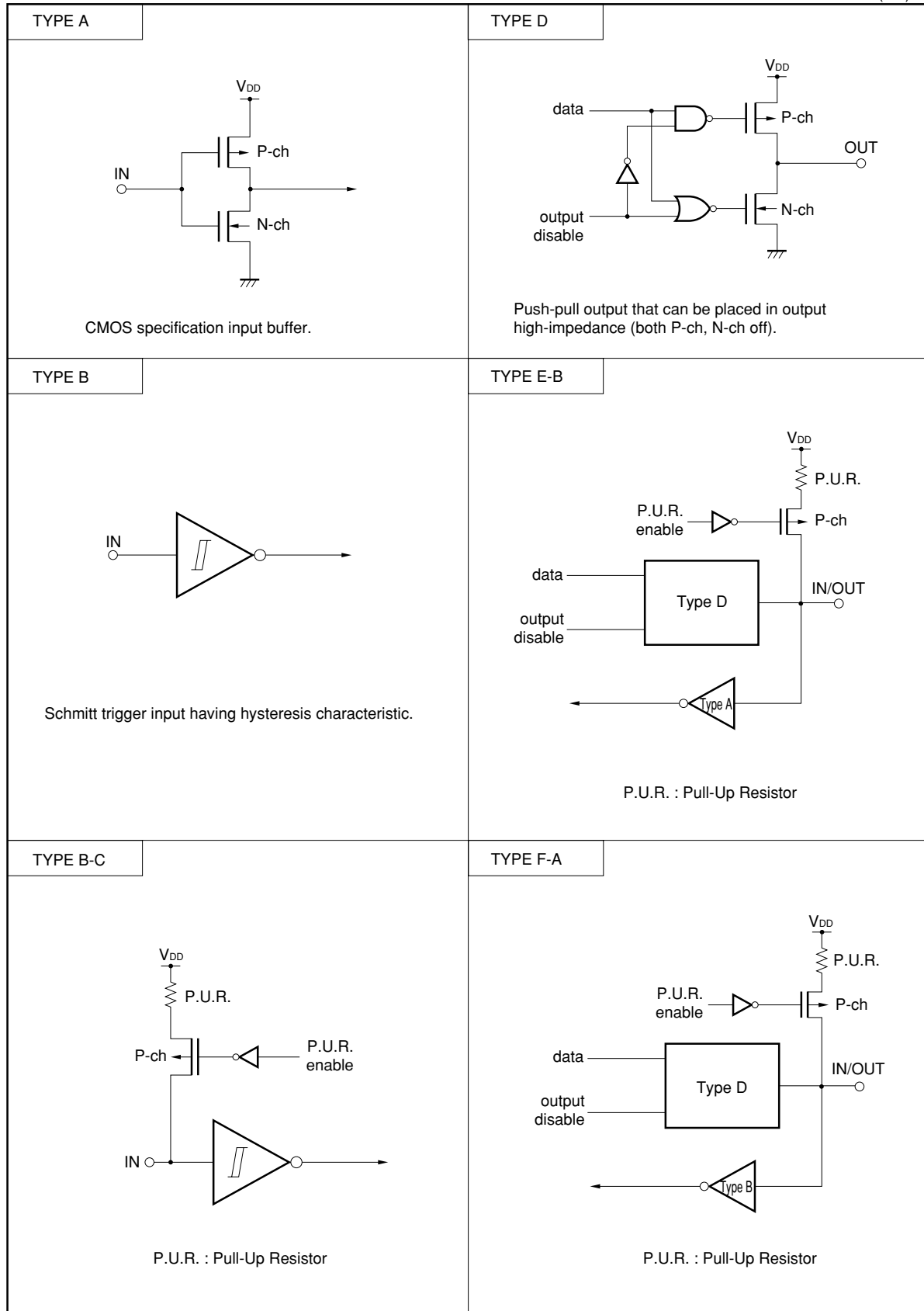
Pin Name	Input/Output	Alternate Function	Function	After Reset	I/O Circuit TYPE <small>Note 1</small>
X1	Input	–	Crystal/ceramic connection pin for the system clock oscillator. When inputting the external clock, input the external clock to pin X1, and the reverse phase of the external clock to pin X2.	–	–
X2	–	–			
RESET	Input	–	System reset input (low-level active)	–	(B)
IC	–	–	Internally connected. Connect directly to V <sub>DD</sub> .	–	–
V <sub>DD</sub>	–	–	Positive power supply	–	–
V <sub>SS</sub>	–	–	Ground potential	–	–

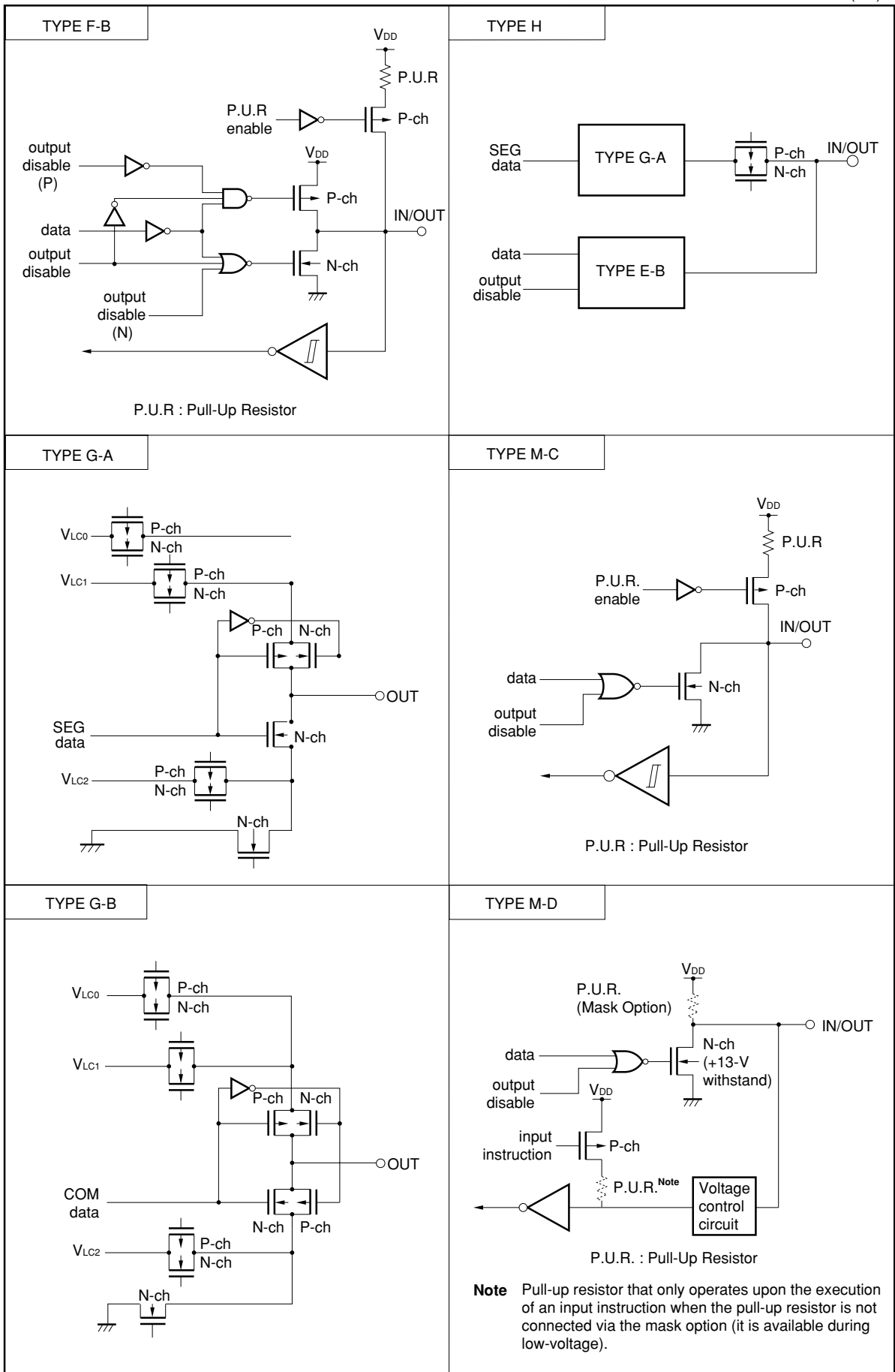
**Note** Characters in parentheses indicate the Schmitt-trigger input.

3.3 Pin Input/Output Circuits

The μPD753208 pin input/output circuits are shown schematically.

(1/2)





3.4 Recommended Connections for Unused Pins

★

Table 3-1. List of Recommended Connections for Unused Pins

Pin	Recommended Connection	
P00/INT4	Connect to V <sub>SS</sub> or V <sub>DD</sub>	
P01/ $\overline{SCK}$	Connect individually to V <sub>SS</sub> or V <sub>DD</sub> via a resistor	
P02/SO/SB0		
P03/SI/SB1	Connect to V <sub>SS</sub>	
P10/INT0	Connect to V <sub>SS</sub> or V <sub>DD</sub>	
P13/TI0		
P20/PTO0	Input state: Connect individually to V <sub>SS</sub> or V <sub>DD</sub> via a resistor Output state: No connection	
P21/PTO1		
P22/PCL/PTO2		
P23/BUZ		
P30/LCDCL		
P31/SYNC		
P32		
P33		
P50 to P53		Input state : Connect to V <sub>SS</sub> Output state : Connect to V <sub>SS</sub> (Do not connect pull-up resistor in the mask option)
P60/KR0 to P63/KR3		Input state : Connect individually to V <sub>SS</sub> or V <sub>DD</sub> via a resistor Output state : No connection
S0 to S15	No connection	
COM0 to COM3		
S16/P93 to S19/P90	Input state: Connect individually to V <sub>SS</sub> or V <sub>DD</sub> via a resistor Output state: No connection	
S20/P83 to S23/P80		
V <sub>LC0</sub> to V <sub>LC2</sub>	Connect to V <sub>SS</sub>	
BIAS	Only if all of V <sub>LC0</sub> to V <sub>LC2</sub> are unused, connect to V <sub>SS</sub> . In other cases, no connection.	
IC	Connect to V <sub>DD</sub> directly	



## 4 SWITCHING FUNCTION BETWEEN Mk I MODE AND Mk II MODE

### 4.1 Difference Between Mk I and Mk II Modes

The CPU of the μPD753208 has the following two modes: Mk I and Mk II, either of which can be selected. The mode can be switched by bit 3 of the Stack Bank Select register (SBS).

- Mk I mode: Upward compatible with the μPD75308B. Can be used in the 75XL CPU with a ROM capacity of up to 16 Kbytes.
- Mk II mode: Incompatible with μPD75308B. Can be used in all the 75XL CPU including those products whose ROM capacity is more than 16 Kbytes.

**Table 4-1. Differences between Mk I Mode and Mk II Mode**

	Mk I mode	Mk II mode
Number of stack bytes for subroutine instructions	2 bytes	3 bytes
BRA ! addr1 instruction CALLA ! addr1 instruction	Not available	Available
CALL ! addr instruction	3 machine cycles	4 machine cycles
CALLF ! faddr instruction	2 machine cycles	3 machine cycles

★ **Caution** The MkII mode supports a program area exceeding 16 Kbytes for the 75X and 75XL Series. Software compatibility with products whose program memory exceeds 16 Kbytes can be raised by using this mode.

When the MkII mode is selected, the number of stack bytes increases by one byte per stack during subroutine call instruction execution compared with the MkI mode. When the !faddr instruction is used, the length of each machine cycle increases by 1 machine cycle. Therefore, if RAM efficiency or processing speed is emphasized over software compatibility, use of the MkI mode is recommended.

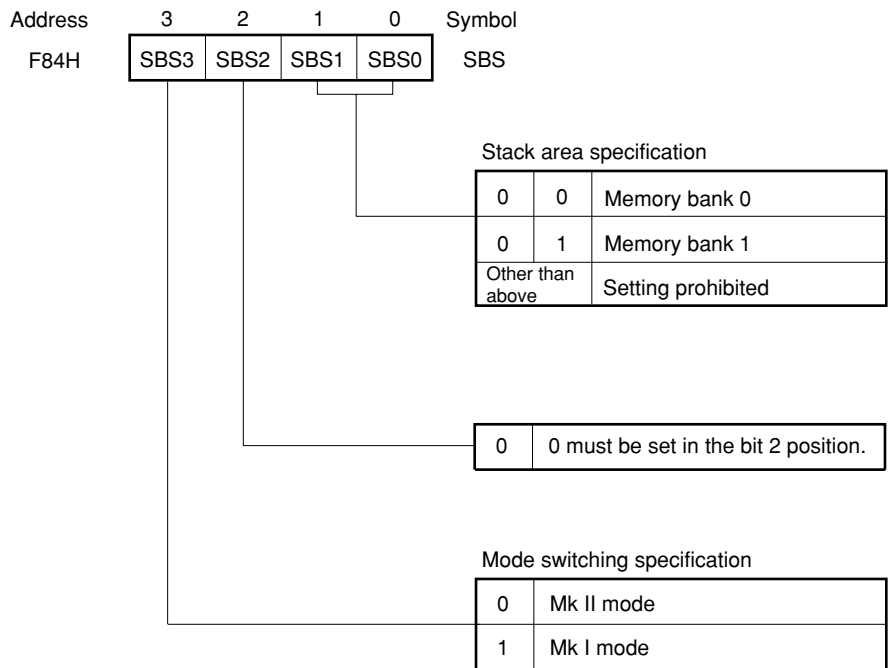
### 4.2 Setting Method of Stack Bank Select Register (SBS)

Switching between the Mk I mode and Mk II mode can be done by the SBS. Figure 4-1 shows the format.

The SBS is set by a 4-bit memory manipulation instruction. When using the Mk I mode, the SBS must be initialized to 100×B<sup>Note</sup> at the beginning of a program. When using the Mk II mode, it must be initialized to 000×B<sup>Note</sup>.

**Note** The desired numbers must be set in the × positions.

**Figure 4-1. Stack Bank Select Register Format**



**Caution** Since SBS. 3 is set to “1” after a **RESET** signal is generated, the CPU operates in the Mk I mode. When executing an instruction in the Mk II mode, set SBS. 3 to “0” to select the Mk II mode.

## 5. MEMORY CONFIGURATION

- **Program Memory (ROM)** .... 4096 × 8 bits ( $\mu$ PD753204)  
.... 6144 × 8 bits ( $\mu$ PD753206)  
.... 8192 × 8 bits ( $\mu$ PD753208)

- Addresses 0000H and 0001H

Vector table wherein the program start address and the values set for the RBE and MBE at the time a  $\overline{\text{RESET}}$  signal is generated are written. Reset and start are possible at an arbitrary address.

- Addresses 0002H to 000DH

Vector table wherein the program start address and values set for the RBE and MBE by the vectored interrupts are written. Interrupt execution can be started at an arbitrary address.

- Addresses 0020H to 007FH

Table area referenced by the GETI instruction <sup>Note</sup>.

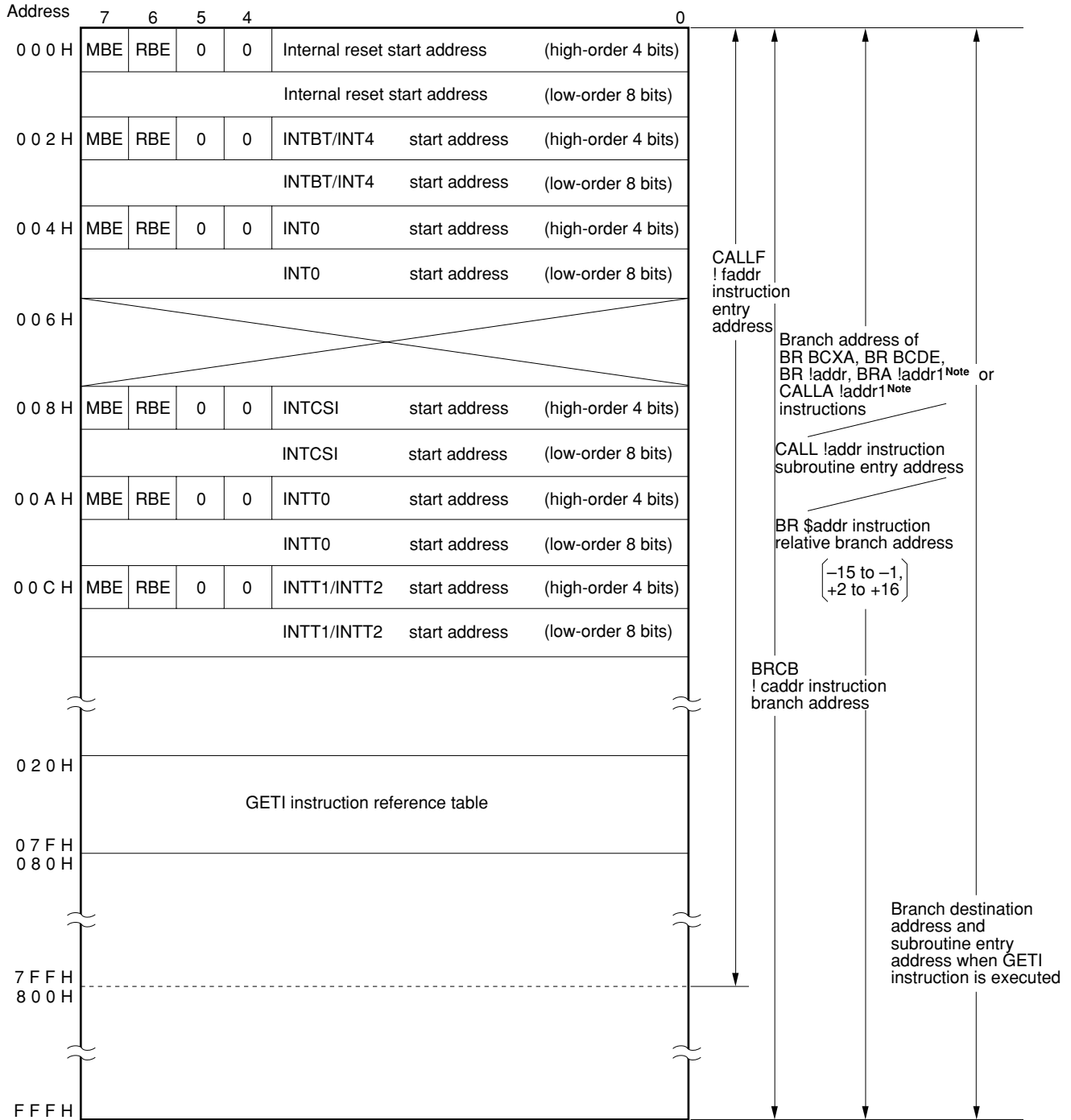
**Note** The GETI instruction realizes a 1-byte instruction on behalf of an arbitrary 2-byte instruction, 3-byte instruction, or two 1-byte instructions. It is used to decrease the program steps.

- **Data Memory (RAM)**

- Data area ... 512 words × 4 bits (000H to 1FFH)
- Peripheral hardware area ... 128 words × 4 bits (F80H to FFFH)

Figure 5-1. Program Memory Map (1/3)

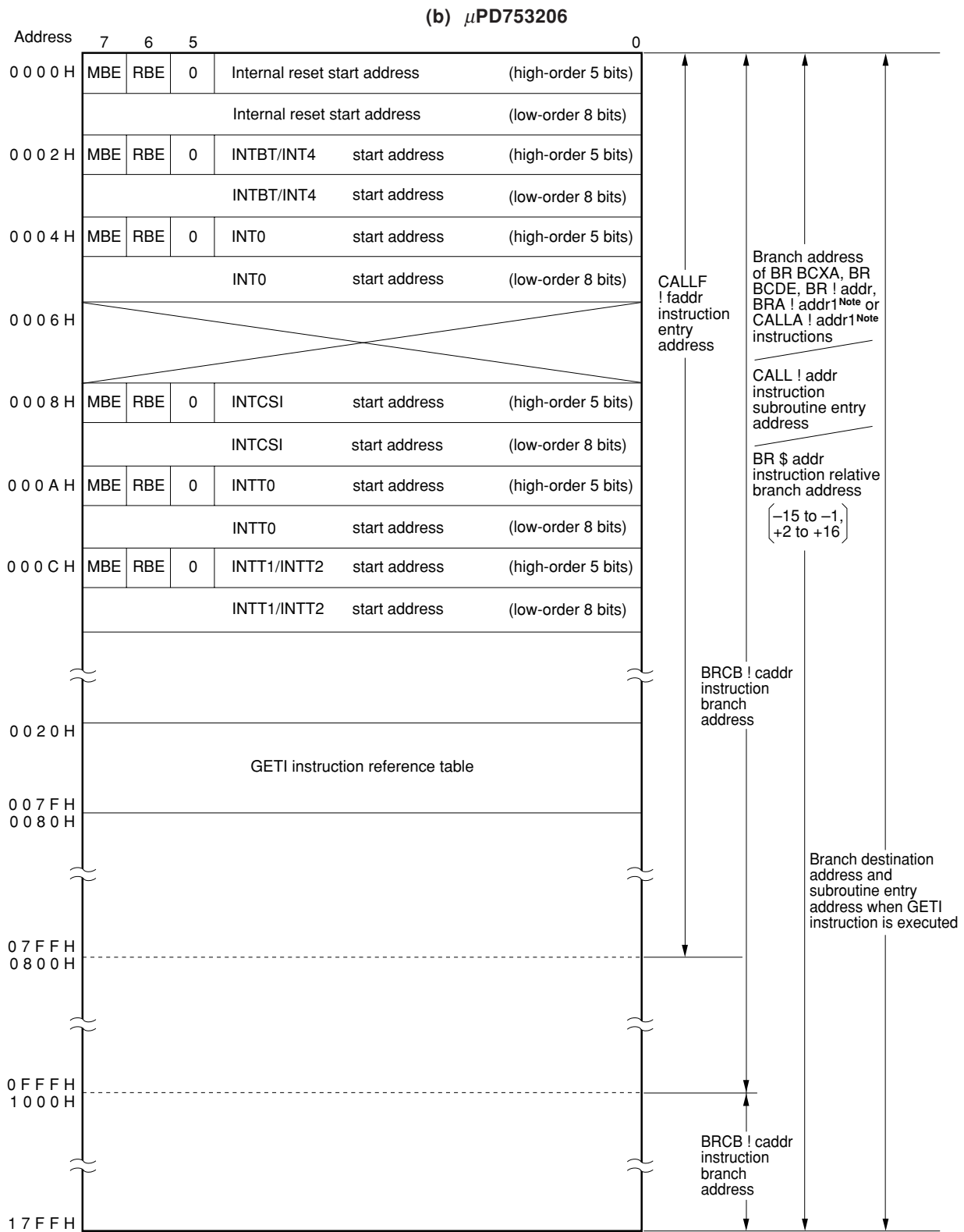
(a) μPD753204



**Note** Can be used only in the Mk II mode.

**Remark** In addition to the above, a branch can be taken to the address indicated by changing only the low-order eight bits of PC by executing the BR PCDE or BR PCXA instruction.

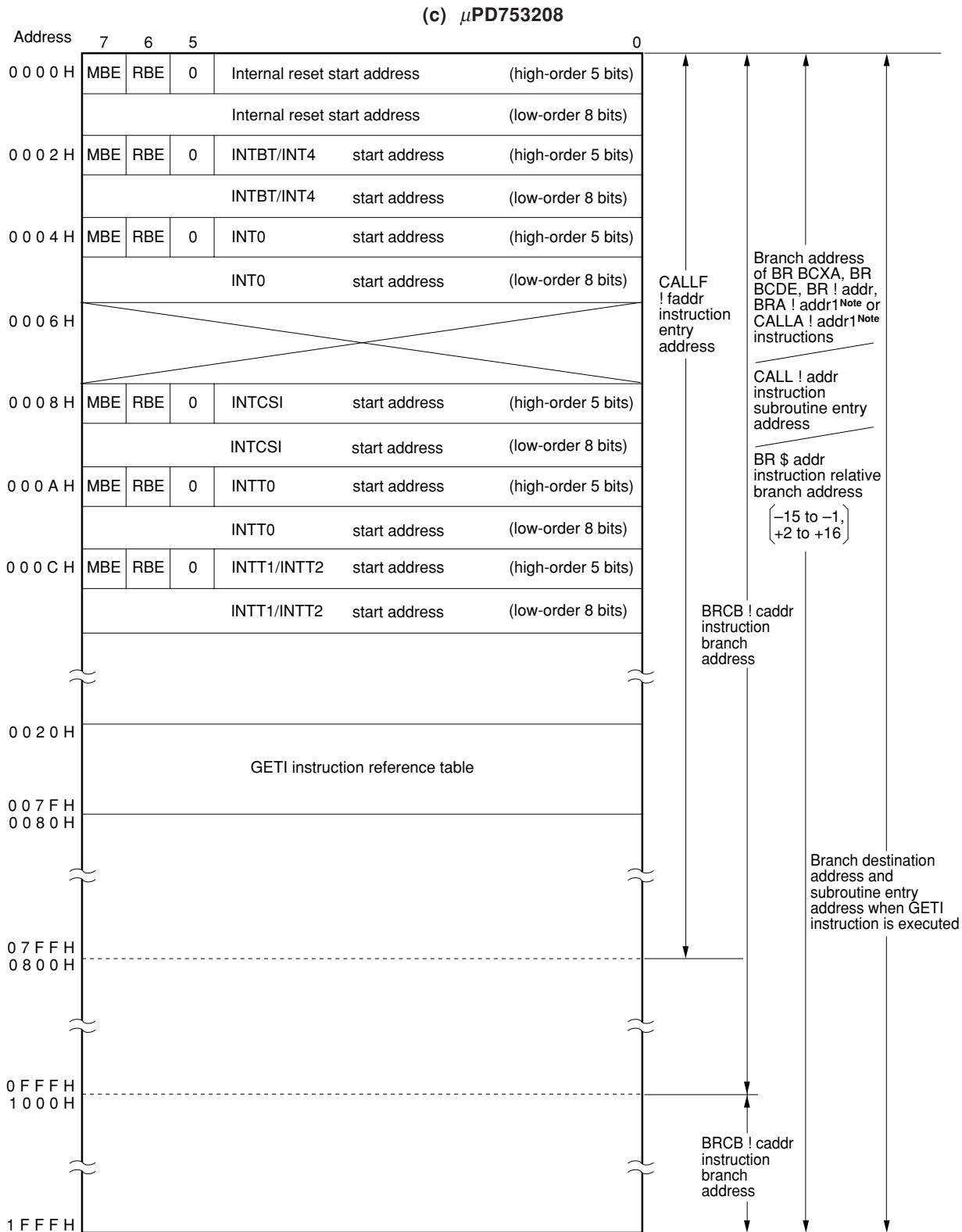
Figure 5-1. Program Memory Map (2/3)



**Note** Can be used only in the Mk II mode.

**Remark** In addition to the above, a branch can be taken to the address indicated by changing only the low-order eight bits of PC by executing the BR PCDE or BR PCXA instruction.

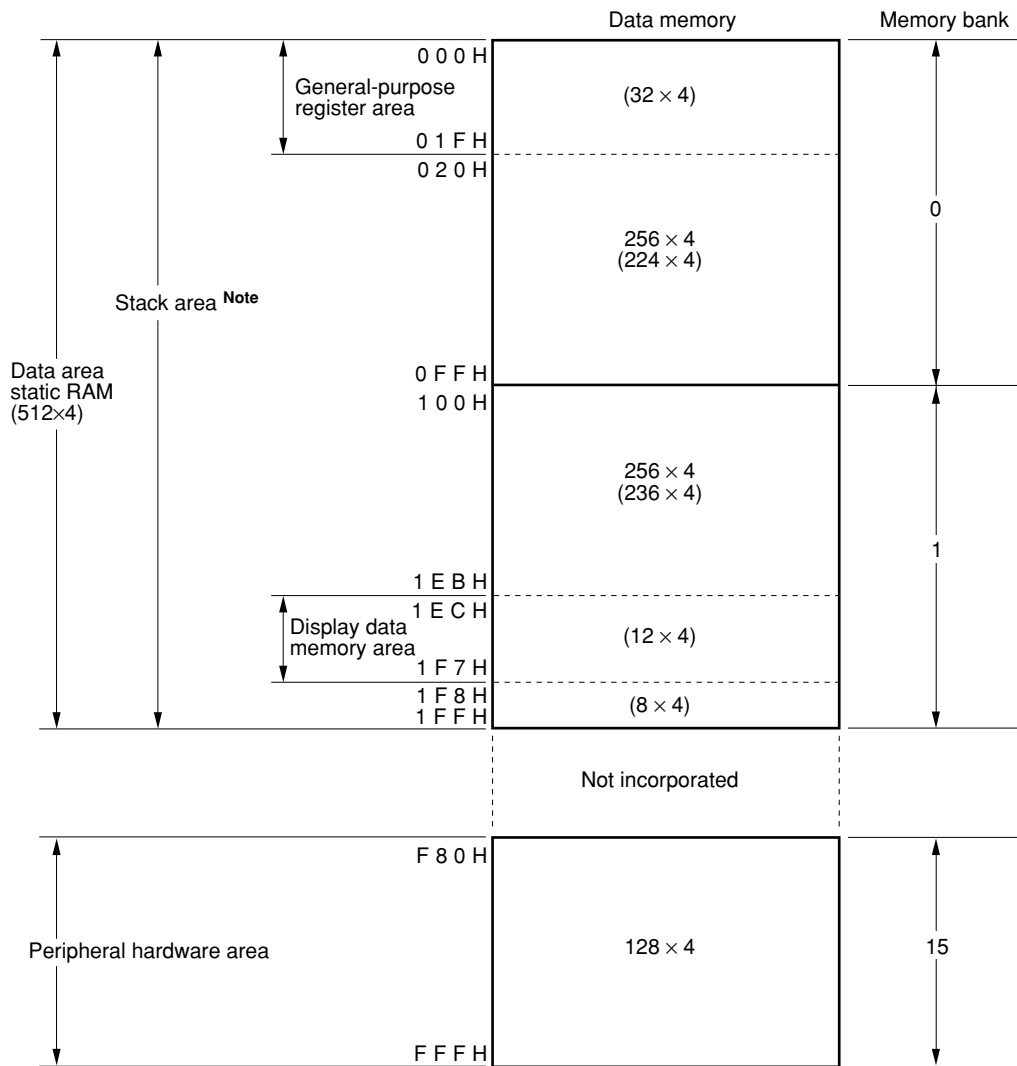
Figure 5-1. Program Memory Map (3/3)



**Note** Can be used only in the Mk II mode.

**Remark** In addition to the above, a branch can be taken to the address indicated by changing only the low-order eight bits of PC by executing the BR PCDE or BR PCXA instruction.

Figure 5-2. Data Memory Map



**Note** As a stack area, either memory bank 0 or 1 can be selected.

## 6. PERIPHERAL HARDWARE FUNCTION

### 6.1 Digital I/O Port

There are three kinds of I/O ports.

• CMOS input ports (Ports 0, 1)	: 6
• CMOS input/output ports (Ports 2, 3, 6, 8, 9)	: 20
• N-ch open-drain input/output ports (Port 5)	: 4
<hr/> Total	<hr/> 30

**Table 6-1. Types and Features of Digital Ports**

Port	Function	Operation and features		Remarks
PORT0	4-bit input	The alternate function pins have an output function with operation mode when using the serial interface function.		Also used for the INT4, $\overline{SCK}$ , SO/SB0, and SI/SB1 pins.
PORT1	1-bit input	2-bit input dedicated port		Also used for the INT0 and TI0.
PORT2	4-bit I/O	Can be set to input mode or output mode in 4-bit units.		Also used for the PTO0 to PTO2, PCL, and BUZ pins.
PORT3		Can be set to input mode or output mode bit-wise.		Also used for the LCDCL and SYNC pins.
PORT5	4-bit I/O (N-channel open-drain, 13-V withstand)	Can be set to input mode or output mode in 4-bit units. On-chip pull-up resistor can be specified by mask option bit-wise.		—
PORT6	4-bit I/O	Can be set to input mode or output mode bit-wise.		Also used for the KR0 to KR3 pins.
PORT8		Can be set to input mode or output mode in 4-bit units.	Ports 8 and 9 are paired and data can be input/output in 8-bit units.	Also used for the S20 to S23 pins.
PORT9				Also used for the S16 to S19 pins.



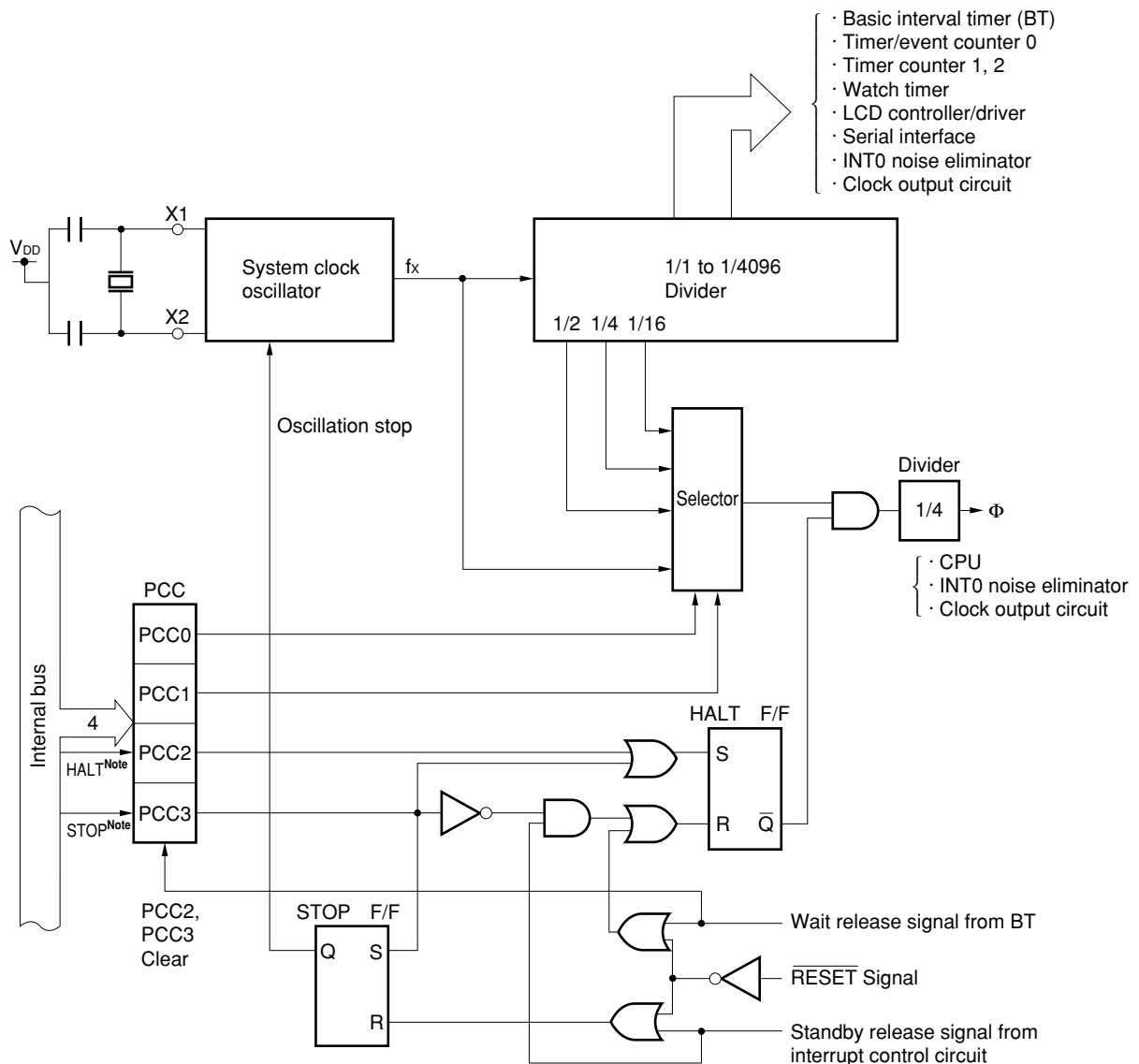
### 6.2 Clock Generator

The clock generator provides the clock signals to the CPU and peripheral hardware and its configuration is shown in Figure 6-1.

The operation of the clock generator is determined by the Processor Clock Control Register (PCC). The instruction execution time can also be changed.

- 0.95, 1.91, 3.81, 15.3 μs (system clock: @ 4.19-MHz operation)
- 0.67, 1.33, 2.67, 10.7 μs (system clock: @ 6.0-MHz operation)

Figure 6-1. Clock Generator Block Diagram



**Note** Instruction execution

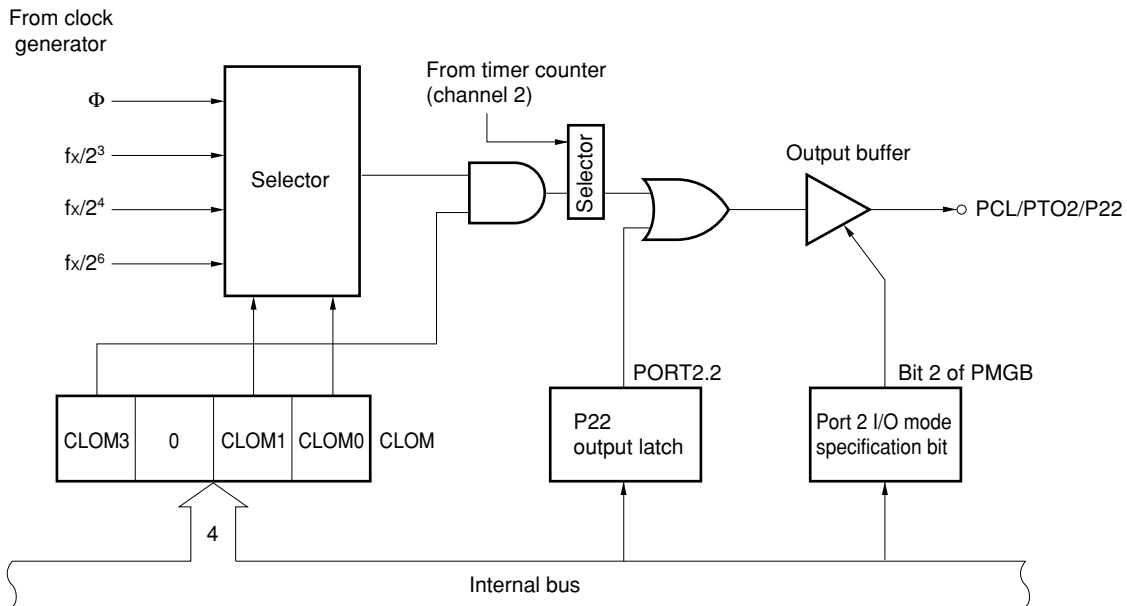
- Remarks**
1.  $f_x$  = System clock frequency
  2.  $\Phi$  = CPU clock
  3. PCC: Processor Clock Control Register
  4. One clock cycle ( $t_{CY}$ ) of the CPU clock is equal to one machine cycle of the instruction.

### 6.3 Clock Output Circuit

The clock output circuit is provided to output the clock pulses from the PCL pin (also functions as P22 or PTO2) to the remote control wave outputs and peripheral LSIs.

- Clock Output (PCL) :  $\Phi$ , 524, 262, 65.5 kHz (system clock: @ 4.19-MHz operation)  
 $\Phi$ , 750, 375, 93.8 kHz (system clock: @ 6.0-MHz operation)

**Figure 6-2. Clock Output Circuit Block Diagram**



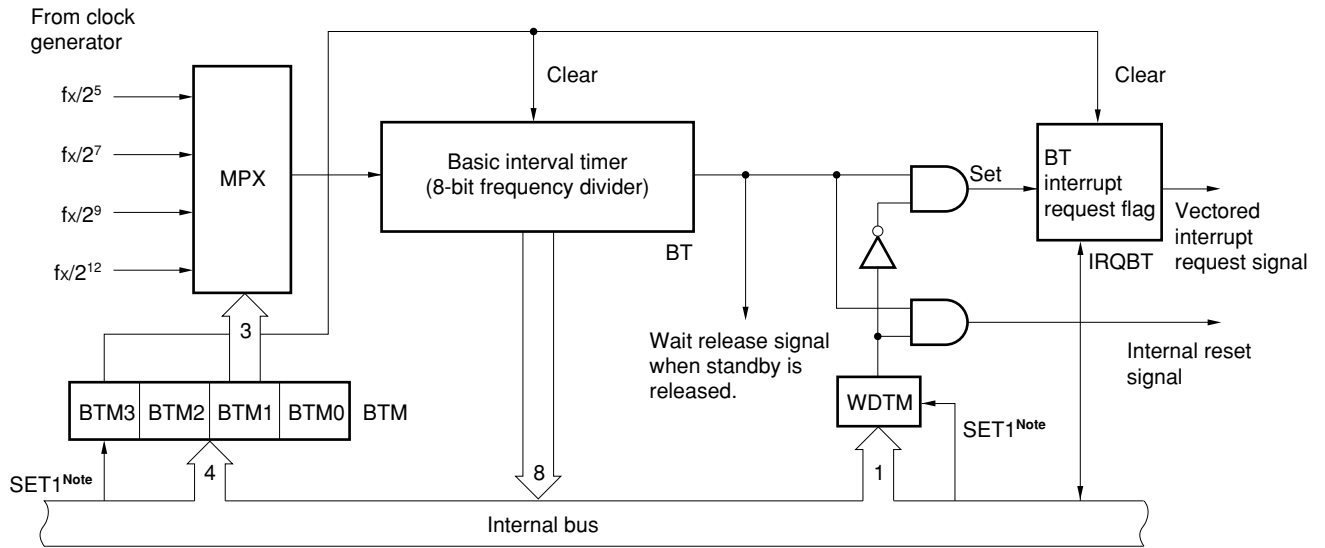
**Remark** Special care has been taken in designing the chip so that small-width pulses may not be output when switching clock output enable/disable.

### 6.4 Basic Interval Timer/Watchdog Timer

The basic interval timer/watchdog timer has the following functions.

- Interval timer operation to generate a reference time interrupt
- Watchdog timer operation to detect program runaway and reset the CPU
- Selects and counts the wait time when the standby mode is released
- Reads the contents of counting

**Figure 6-3. Basic Interval Timer/Watchdog Timer Block Diagram**



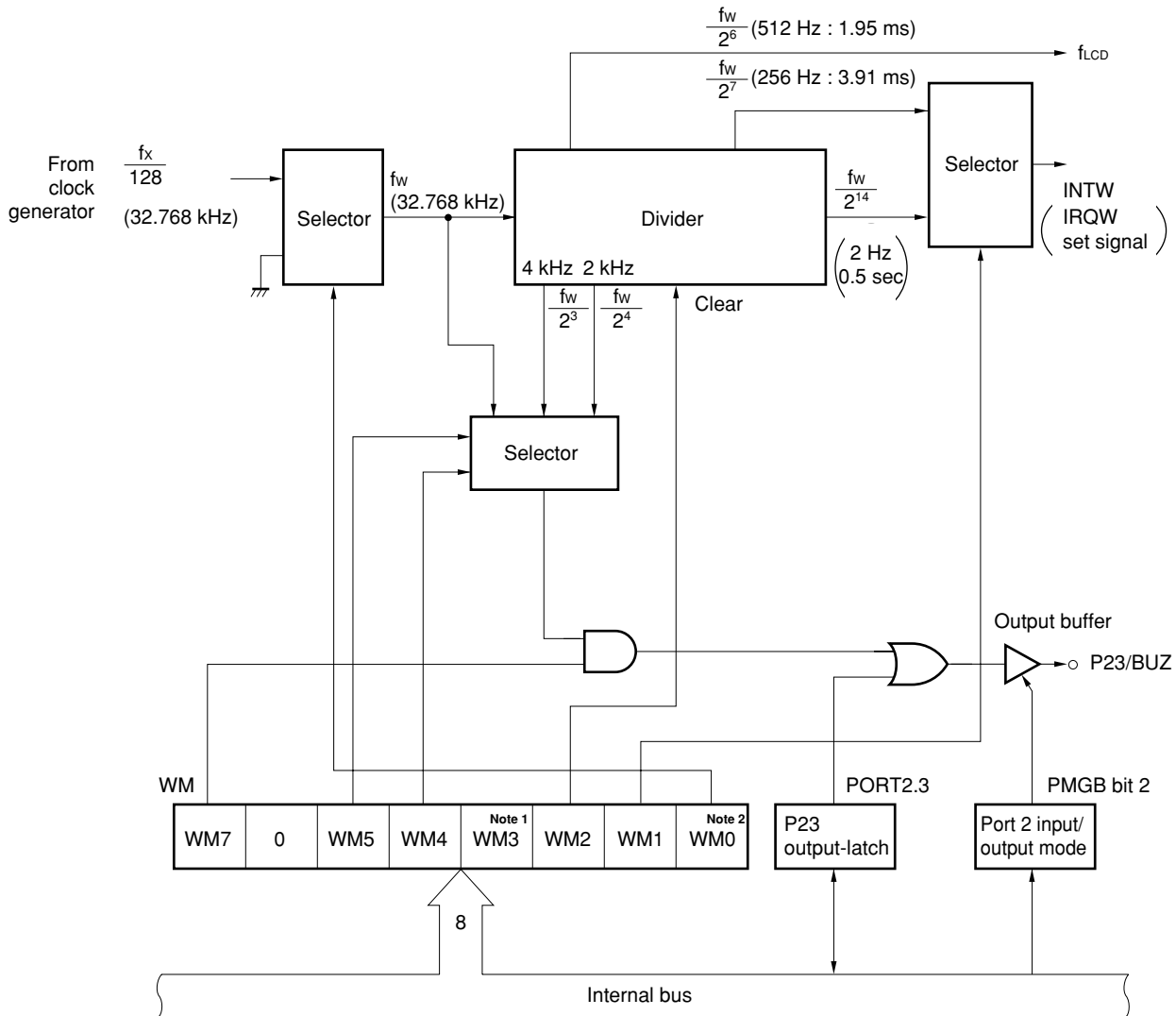
**Note** Instruction execution

6.5 Watch Timer

The μPD753208 has one watch timer channel, whose functions are as follows.

- Sets the test flag (IRQW) with 0.5 sec interval. The standby mode can be released by the IRQW.
- 0.5 sec interval can be created with the system clock (4.194304 MHz)
- Convenient for program debugging and checking as interval becomes 128 times longer (3.91 ms) with the fast feed mode.
- Outputs a frequency (2.048, 4.096, or 32.768 kHz) to the BUZ pin (P23), usable for buzzer and trimming of system clock frequencies.
- Clears the frequency divider to make the clock start with zero seconds.

Figure 6-4. Watch Timer Block Diagram



- Notes**
1. WM3 is undefined while reading data.
  2. Be sure to set WM0 to 0.

**Remark** The values enclosed in parentheses are applied when  $f_x = 4.194304$  MHz.

6.6 Timer/Event Counter

The μPD753208 provides one channel for timer/event counters and two channels for timer counters. Figures 6-5 to 6-7 show the block diagrams. Timer/event counter functions are as follows.

- Programmable interval timer operation
- Square wave output of any frequency to the PTO0 pin (n = 0 to 2).
- Event counter operation (Channel 0 only)
- Divides the frequency of signal input via the TI0 pin to 1-nth of the original signal and outputs the divided frequency to the PTO0 pin (frequency divider operation).
- Supplies the shift clock to the serial interface circuit.
- Reads the counting status.

The timer/event counter operates in the following four modes as set by the mode register.

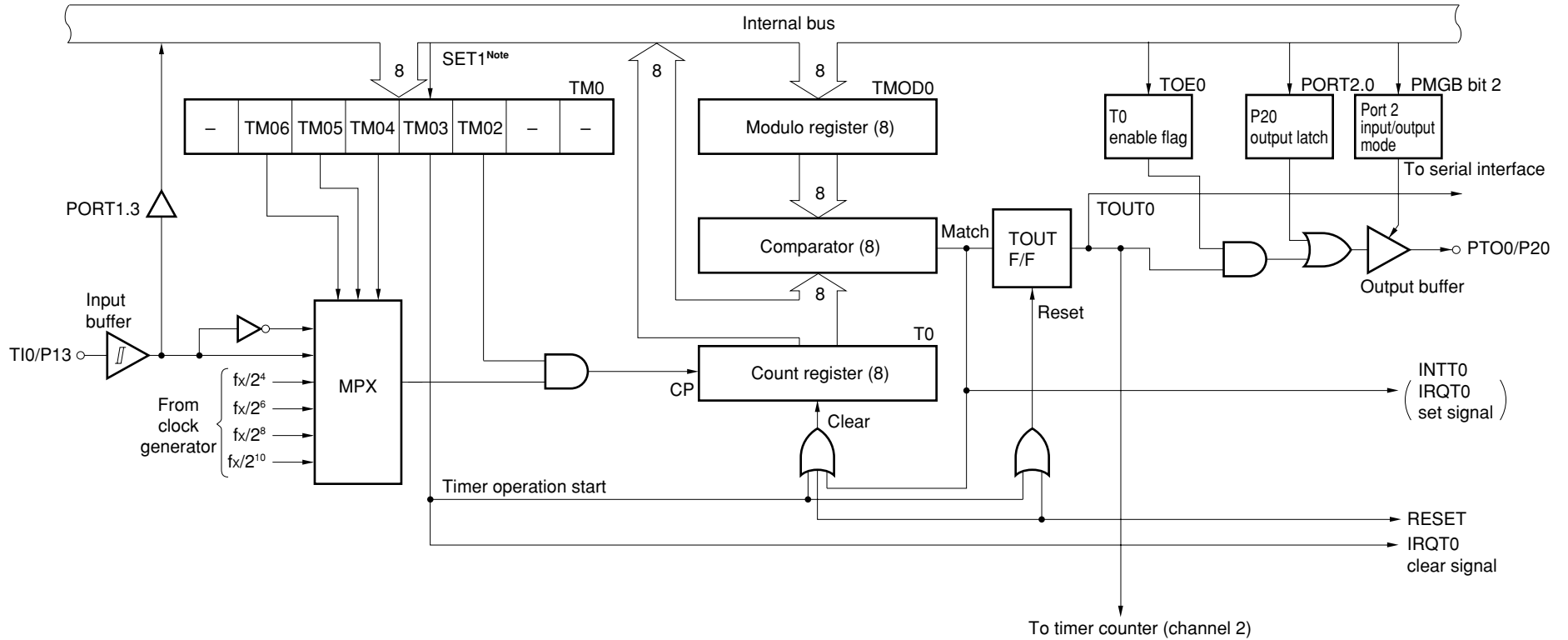
**Table 6-2. Operation Modes of Timer/Event Counter**

Mode	Channel	Channel 0	Channel 1	Channel 2
	8-bit timer/event counter mode <sup>Note 1</sup>		A	A
Gate control function		N/A <sup>Note 2</sup>	N/A	A
PWM pulse generator mode		N/A	N/A	A
16-bit timer counter mode		N/A	A	
Gate control function		N/A <sup>Note 2</sup>	A	
Carrier generator mode		N/A	A	

- Notes**
1. Channel 0 only. 8-bit timer counter mode for channel 1 and channel 2
  2. Used for gate control signal generation

**Remark** A: Available  
 N/A: Not available

\*Figure 6-5. Timer/Event Counter Block Diagram (channel 0)

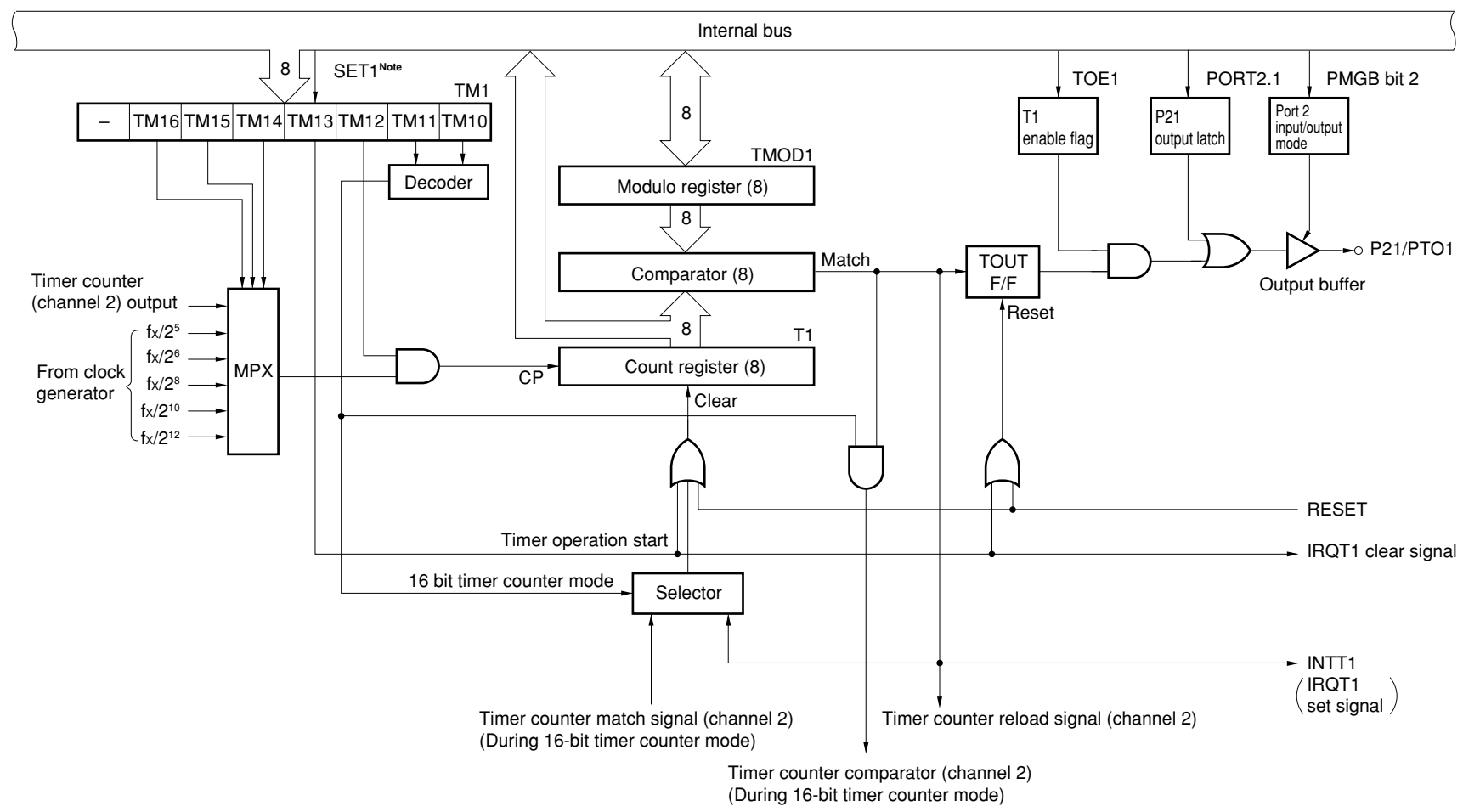


Data Sheet U10166EJ2V1DS

**Note** Execution of instruction

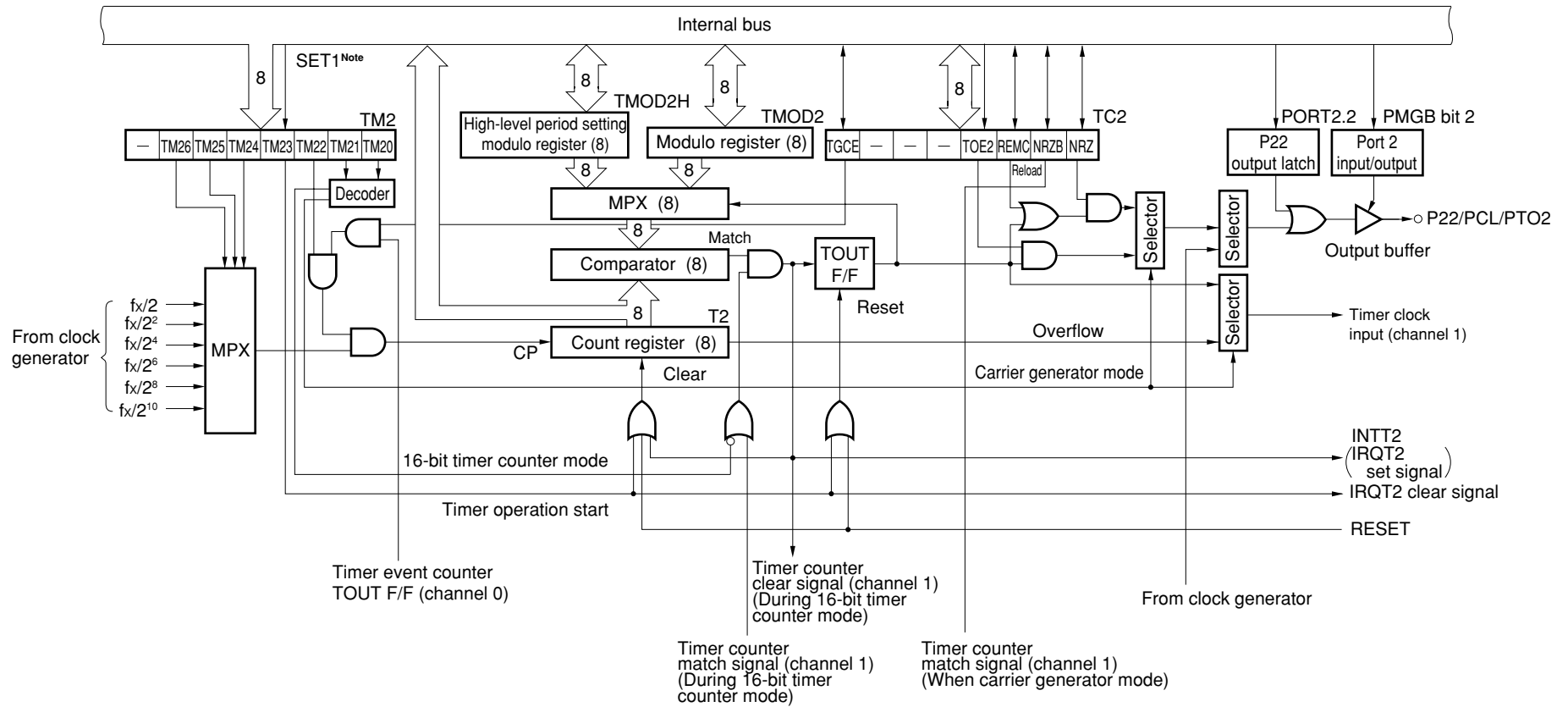
**Caution** When data is set to TM0, always set bit 1 to 0.

Figure 6-6. Timer/Event Counter Block Diagram (channel 1)



Note Execution of instruction

Figure 6-7. Timer Counter Block Diagram (channel 2)



**Note** Execution of instruction

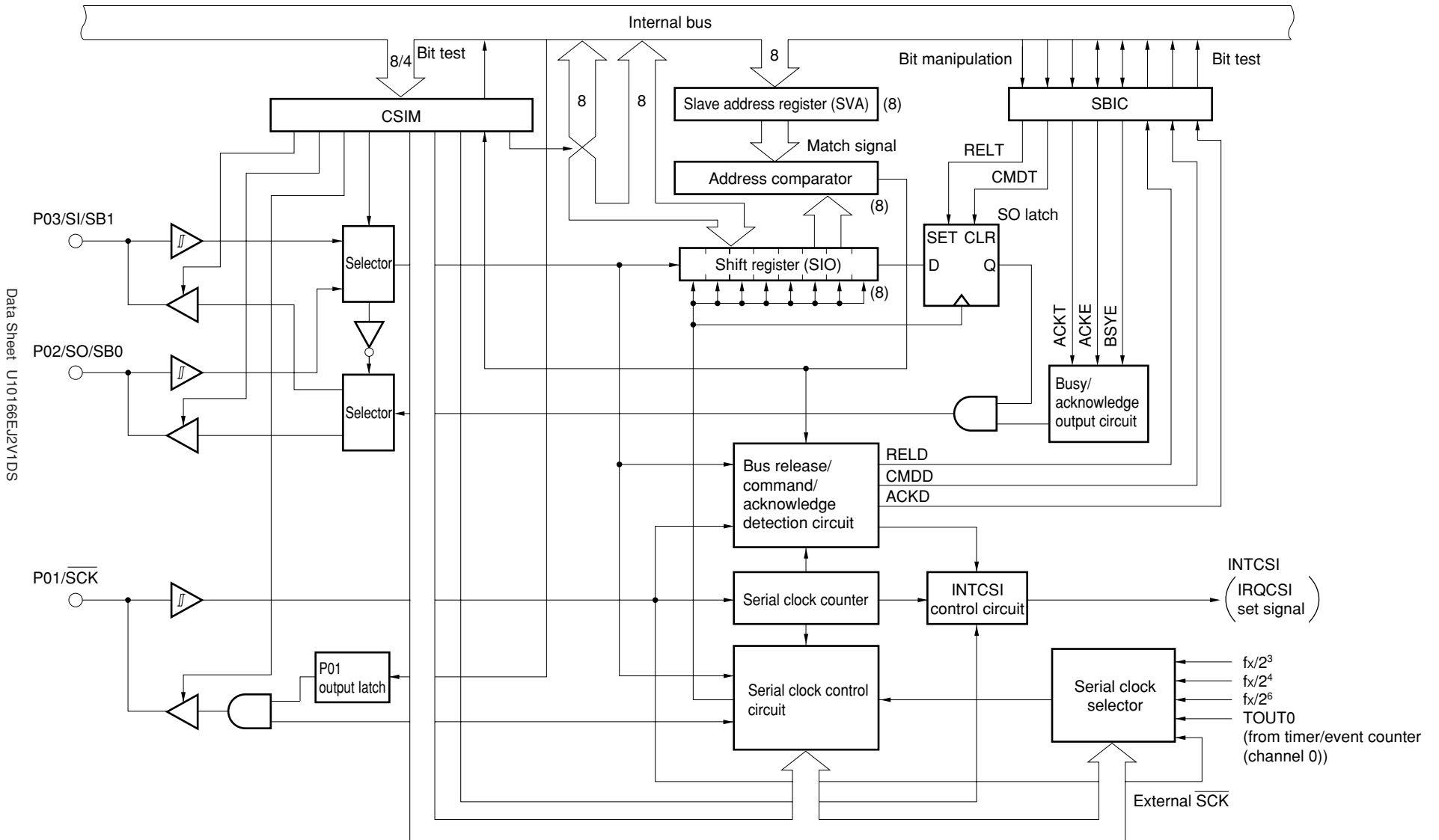


## 6.7 Serial Interface

The  $\mu$ PD753208 incorporates a clock-synchronous 8-bit serial interface and can be used in the following four modes.

- Operation stop mode
- 3-wire serial I/O mode
- 2-wire serial I/O mode
- SBI mode (serial bus interface mode)

Figure 6-8. Serial Interface Block Diagram



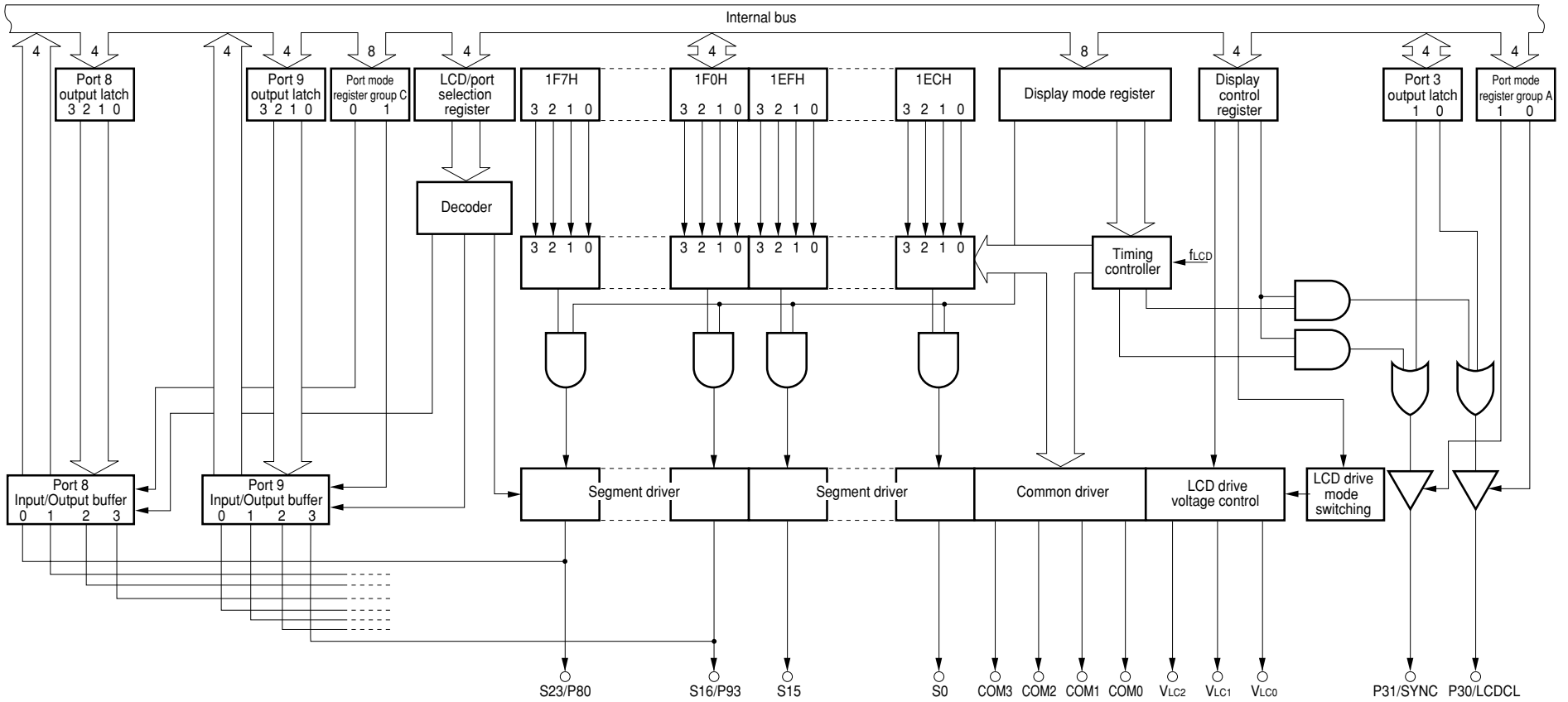
## 6.8 LCD Controller/Driver

The  $\mu$ PD753208 incorporates a display controller which generates segment and common signals according to the display data memory contents and incorporates segment and common drivers which can drive the panel directly.

The  $\mu$ PD753208 LCD controller/driver functions are as follows:

- Display data memory is read automatically by DMA operation and segment and common signals are generated.
- Display mode can be selected from among the following five:
  - <1> Static
  - <2> 1/2 duty (time multiplexing by 2), 1/2 bias
  - <3> 1/3 duty (time multiplexing by 3), 1/2 bias
  - <4> 1/3 duty (time multiplexing by 3), 1/3 bias
  - <5> 1/4 duty (time multiplexing by 4), 1/3 bias
- A frame frequency can be selected from among four in each display mode.
- A maximum of 12 segment signal output pins (S12 to S23) and four common signal output pins (COM0 to COM3).
- The segment signal output pins (S16 to S23) can be changed to the I/O ports (PORT8 and PORT9).
- Split-resistor can be incorporated to supply LCD drive power. (Mask option)
  - Various bias methods and LCD drive voltages can be applicable.
  - When display is off, current flowing through the split resistor is cut.
- Display data memory not used for display can be used for normal data memory.

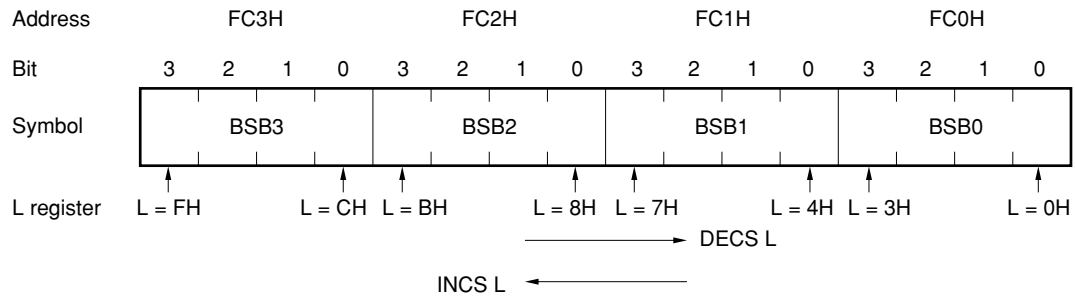
Figure 6-9. LCD Controller/Driver Block Diagram



### 6.9 Bit Sequential Buffer ..... 16 Bits

The bit sequential buffer (BSB) is a special data memory for bit manipulation and the bit manipulation can be easily performed by changing the address specification and bit specification in sequence, therefore it is useful when processing large data bit-wise.

**Figure 6-10. Bit Sequential Buffer Format**



- Remarks**
1. In pmem.@L addressing, the specified bit moves corresponding to the L register.
  2. In pmem.@L addressing, the BSB can be manipulated regardless of MBE/MSB specification.

## 7. INTERRUPT FUNCTION AND TEST FUNCTION

There are seven interrupt sources and two test sources in the  $\mu$ PD753208. The interrupt control circuit of the  $\mu$ PD753208 has the following functions.

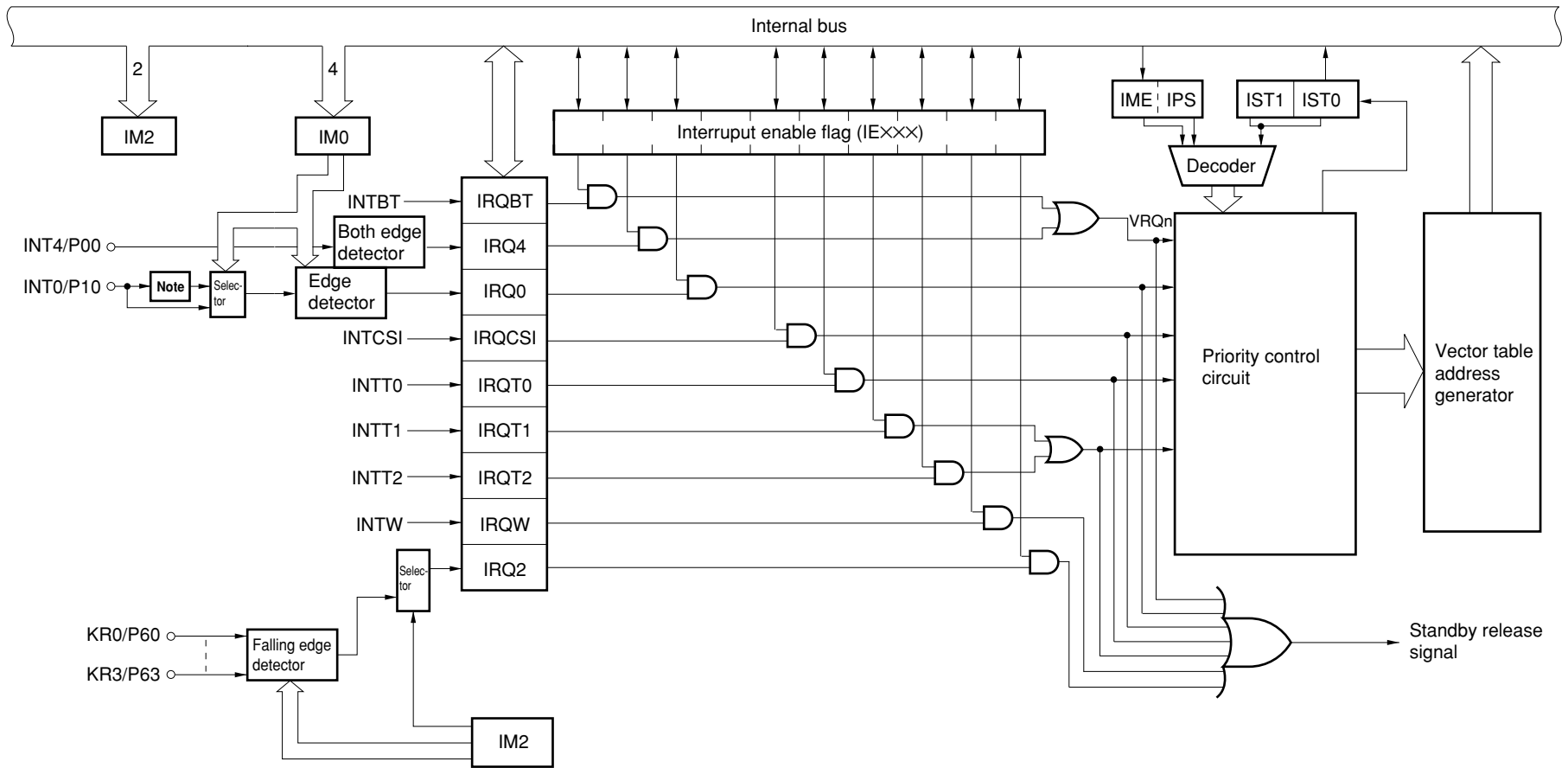
### (1) Interrupt function

- Vectored interrupt function for hardware control, enabling/disabling the interrupt acceptance by the interrupt enable flag (IE $\times\times\times$ ) and interrupt master enable flag (IME).
- Can set any interrupt start address.
- Multiple interrupts wherein the order of priority can be specified by the interrupt priority select register (IPS).
- Test function of interrupt request flag (IRQ $\times\times\times$ ). An interrupt generated can be checked by software.
- Release the standby mode. A release interrupt can be selected by the interrupt enable flag.

### (2) Test function

- Test request flag (IRQ $\times\times\times$ ) generation can be checked by software.
- Release the standby mode. The test source to be released can be selected by the test enable flag.

Figure 7-1. Interrupt Control Circuit Block Diagram



**Note** Noise eliminator (Standby release is disabled when noise eliminator is selected.)

8. STANDBY FUNCTION

In order to save power dissipation while a program is in standby mode, two types of standby modes (STOP mode and HALT mode) are provided for the μPD753208.

Table 8-1. Operation Status in Standby Mode

Item \ Mode		STOP mode	HALT mode
Set instruction		STOP instruction	HALT instruction
Operation status	Clock generator	The system clock stops oscillation.	Only the CPU clock $\Phi$ halts (oscillation continues).
	Basic interval timer/ Watchdog timer	Operation stops.	Operable only when the system clock is oscillated. (The IRQBT is set in the reference interval).
	Serial interface	Operable only when an external $\overline{SCK}$ input is selected as the serial clock.	Operable
	Timer/event counter	Operable only when a signal input to the TI0 pin is specified as the count clock.	Operable
	Watch timer	Operation stops.	Operable
	LCD controller/driver	Operation stops.	Operable
	External interrupt	The INT4 is operable. Only the INT0 is not operated <sup>Note</sup> .	
	CPU	Operation stops.	
Release signal		Interrupt request signal sent from the operable hardware enabled by the interrupt enable flag or RESET signal input.	

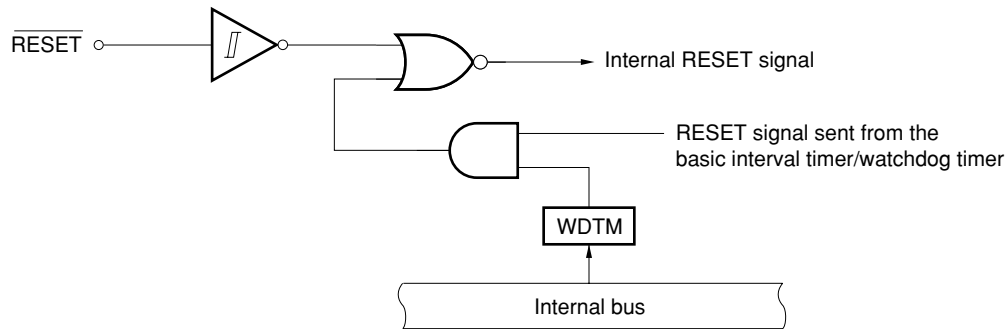
**Note** Can operate only when the noise eliminator is not used (IM02 = 1) by bit 2 of the edge detection mode register (IM0).



### 9. RESET FUNCTION

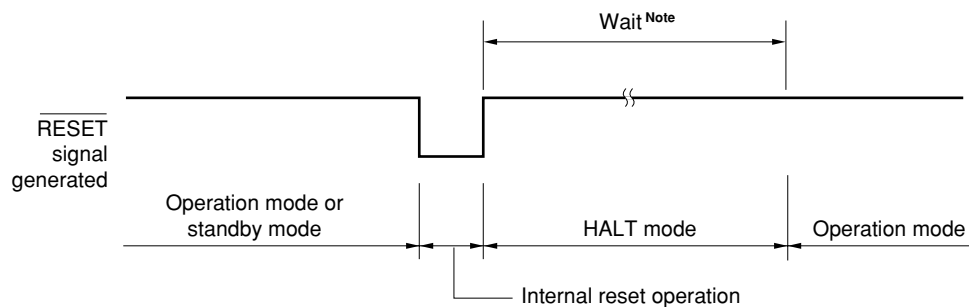
There are two reset inputs: external  $\overline{\text{RESET}}$  signal and  $\overline{\text{RESET}}$  signal sent from the basic interval timer/watchdog timer. When either one of the  $\overline{\text{RESET}}$  signals are input, an internal  $\overline{\text{RESET}}$  signal is generated. Figure 9-1 shows the circuit diagram of the above two inputs.

**Figure 9-1. Configuration of Reset Function**



Each hardware is initialized by the  $\overline{\text{RESET}}$  signal generation as listed in Table 9-1. Figure 9-2 shows the timing chart of the reset operation.

**Figure 9-2. Reset Operation by  $\overline{\text{RESET}}$  Signal Generation**



**Note** The following two times can be selected by the mask option.  
 $2^{17}/f_x$  (21.8 ms: @ 6.0-MHz operation, 31.3 ms: @ 4.19-MHz operation)  
 $2^{15}/f_x$  (5.46 ms: @ 6.0-MHz operation, 7.81 ms: @ 4.19-MHz operation)

Table 9-1. Status of Each Device After Reset (1/2)

Hardware		RESET signal generation in the standby mode	RESET signal generation during operation
Program counter (PC)	μPD753204	Sets the low-order 4 bits of program memory's address 0000H to PC11 to PC8 and the contents of address 0001H to PC7 to PC0.	Sets the low-order 4 bits of program memory's address 0000H to PC11 to PC8 and the contents of address 0001H to PC7 to PC0.
	μPD753206, μPD753208	Sets the low-order 5 bits of program memory's address 0000H to PC12 to PC8 and the contents of address 0001H to PC7 to PC0.	Sets the low-order 5 bits of program memory's address 0000H to PC12 to PC8 and the contents of address 0001H to PC7 to PC0.
PSW	Carry flag (CY)	Held	Undefined
	Skip flag (SK0-SK2)	0	0
	Interrupt status flag (IST0, IST1)	0	0
	Bank enable flag (MBE, RBE)	Sets bit 6 of program memory's address 0000H to RBE and bit 7 to MBE.	Sets bit 6 of program memory's address 0000H to RBE and bit 7 to MBE.
Stack pointer (SP)		Undefined	Undefined
Stack bank select register (SBS)		1000B	1000B
★	Data memory (RAM)	Held	Undefined
General-purpose register (X, A, H, L, D, E, B, C)		Held	Undefined
Bank select register (MBS, RBS)		0, 0	0, 0
★	Basic interval timer/watchdog timer	Undefined	Undefined
	Counter (BT)	0	0
	Mode register (BTM)	0	0
	Watchdog timer enable flag (WDTM)	0	0
Timer/event counter (T0)	Counter (T0)	0	0
	Modulo register (TMOD0)	FFH	FFH
	Mode register (TM0)	0	0
	TOE0, TOUT F/F	0, 0	0, 0
Timer counter (T1)	Counter (T1)	0	0
	Modulo register (TMOD1)	FFH	FFH
	Mode register (TM1)	0	0
	TOE1, TOUT F/F	0, 0	0, 0
Timer counter (T2)	Counter (T2)	0	0
	Modulo register (TMOD2)	FFH	FFH
	High-level period setting modulo register (TMOD2H)	FFH	FFH
	Mode register (TM2)	0	0
	TOE2, TOUT F/F	0, 0	0, 0
	REMC, NRZ, NRZB	0, 0, 0	0, 0, 0
	TGCE	0	0
Watch timer	Mode register (WM)	0	0

Table 9-1. Status of Each Device After Reset (2/2)

Hardware		RESET signal generation in the standby mode	RESET signal generation during operation
Serial interface	Shift register (SIO)	Held	Undefined
	Operation mode register (CSIM)	0	0
	SBI control register (SBIC)	0	0
	Slave address register (SVA)	Held	Undefined
Clock generator, clock output circuit	Processor clock control register (PCC)	0	0
	Clock output mode register (CLOM)	0	0
LCD controller/driver	Display mode register (LCDM)	0	0
	Display control register (LCDC)	0	0
	LCD/port selection register (LPS)	0	0
Interrupt function	Interrupt request flag (IRQ <sub>xxx</sub> )	Reset (0)	Reset (0)
	Interrupt enable flag (IE <sub>xxx</sub> )	0	0
	Interrupt priority selection register (IPS)	0	0
	INT0, 2 mode registers (IM0, IM2)	0, 0	0, 0
Digital port	Output buffer	Off	Off
	Output latch	Cleared (0)	Cleared (0)
	I/O mode registers (PMGA, B, C)	0	0
	Pull-up resistor setting register (POGA, B)	0	0
Bit sequential buffer (BSB0 to BSB3)		Held	Undefined

## 10. MASK OPTION

The  $\mu$ PD753208 has the following mask options.

- P50 to P53 mask options  
Selects whether or not to connect an internal pull-up resistor.
  - <1> Connect pull-up resistor internally bit-wise.
  - <2> Do not connect pull-up resistor internally.
- $V_{LC0}$  to  $V_{LC2}$  pins, BIAS pins mask option  
Selects whether or not to internally connect LCD-driving split resistors.
  - <1> Do not connect split resistor internally.
  - <2> Connect four 10-k $\Omega$  (typ.) split resistors simultaneously internally.
  - <3> Connect four 100-k $\Omega$  (typ.) split resistors simultaneously internally.
- Standby function mask option  
Selects the wait time with the  $\overline{\text{RESET}}$  signal.
  - <1>  $2^{17}/f_x$  (21.8 ms: When  $f_x = 6.0$  MHz, 31.3 ms: When  $f_x = 4.19$  MHz)
  - <2>  $2^{15}/f_x$  (5.46 ms: When  $f_x = 6.0$  MHz, 7.81 ms: When  $f_x = 4.19$  MHz)

11. INSTRUCTION SET

(1) Expression formats and description methods of operands

The operand is described in the operand column of each instruction in accordance with the description method for the operand expression format of the instruction. For details, refer to "RA75X ASSEMBLER PACKAGE USERS' MANUAL—LANGUAGE (EEU-1363)". If there are several elements, one of them is selected. Capital letters and the + and – symbols are key words and are described as they are. For immediate data, appropriate numbers and labels are described. Instead of the labels such as mem, fmem, pmem, and bit, the symbols of the registers can be described. However, there are restrictions in the labels that can be described for fmem and pmem. For details, see the user's manual.

Representation format	Description method
reg reg1	X, A, B, C, D, E, H, L X, B, C, D, E, H, L
rp rp1 rp2 rp' rp'1	XA, BC, DE, HL BC, DE, HL BC, DE XA, BC, DE, HL, XA', BC', DE', HL' BC, DE, HL, XA', BC', DE', HL'
rpa rpa1	HL, HL+, HL–, DE, DL DE, DL
n4 n8	4-bit immediate data or label 8-bit immediate data or label
mem bit	8-bit immediate data or label <sup>Note</sup> 2-bit immediate data or label
fmem pmem	FB0H-FBFH, FF0H-FFFH immediate data or label FC0H-FFFH immediate data or label
addr  addr1 (Only in the MKII mode) caddr faddr	000H-FFFH immediate data or label (μPD753204) 0000H-17FFH immediate data or label (μPD753206) 0000H-1FFFH immediate data or label (μPD753208) 000H-FFFH immediate data or label (μPD753204) 0000H-17FFH immediate data or label (μPD753206) 0000H-1FFFH immediate data or label (μPD753208) 12-bit immediate data or label 11-bit immediate data or label
taddr	20H-7FH immediate data (where bit 0 = 0) or label
PORTn IExxx RBn MBn	PORT0-PORT3, PORT5, PORT6, PORT8, PORT9 IEBT, IET0-IET2, IE0, IE2, IE4, IECS1, IEW RB0-RB3 MB0, MB1, MB15

**Note** mem can be only used for even address in 8-bit data processing.

**(2) Legend in explanation of operation**

A	: A register, 4-bit accumulator
B	: B register
C	: C register
D	: D register
E	: E register
H	: H register
L	: L register
X	: X register
XA	: XA register pair; 8-bit accumulator
BC	: BC register pair
DE	: DE register pair
HL	: HL register pair
XA'	: XA' expanded register pair
BC'	: BC' expanded register pair
DE'	: DE' expanded register pair
HL'	: HL' expanded register pair
PC	: Program counter
SP	: Stack pointer
CY	: Carry flag, bit accumulator
PSW	: Program status word
MBE	: Memory bank enable flag
RBE	: Register bank enable flag
PORT <sub>n</sub>	: Port n (n = 0 to 3, 5, 6, 8, 9)
IME	: Interrupt master enable flag
IPS	: Interrupt priority selection register
IE <sub>xxx</sub>	: Interrupt enable flag
RBS	: Register bank selection register
MBS	: Memory bank selection register
PCC	: Processor clock control register
.	: Separation between address and bit
(xx)	: Contents addressed by xx
xxH	: Hexadecimal data

(3) Explanation of symbols under addressing area column

*1	MB = MBE•MBS (MBS = 0, 1, 15)		Data memory addressing
*2	MB = 0		
*3	MBE = 0 : MB = 0 (000H-07FH) MB = 15 (F80H-FFFFH) MBE = 1 : MB = MBS (MBS = 0, 1, 15)		
*4	MB = 15, fmem = FB0H-FBFH, FF0H-FFFFH		
*5	MB = 15, pmem = FC0H-FFFFH		
*6	μPD753204	addr = 000H-FFFFH	Program memory addressing
	μPD753206	addr = 0000H-17FFH	
	μPD753208	addr = 0000H-1FFFFH	
*7	addr, addr1 = (Current PC) – 15 to (Current PC) – 1 (Current PC) + 2 to (Current PC) + 16		
*8	μPD753204	caddr = 000H-FFFFH	
	μPD753206	caddr = 0000H-0FFFH(PC <sub>12</sub> = 0) or 1000H-17FFH(PC <sub>12</sub> = 1)	
	μPD753208	caddr = 0000H-0FFFH(PC <sub>12</sub> = 0) or 1000H-1FFFFH(PC <sub>12</sub> = 1)	
*9	faddr = 0000H-07FFH		
*10	taddr = 0020H-007FH		
*11	μPD753204	addr1 = 000H-FFFFH	
	μPD753206	addr1 = 0000H-17FFH	
	μPD753208	addr1 = 0000H-1FFFFH	

- Remarks**
1. MB indicates memory bank that can be accessed.
  2. In \*2, MB = 0 independently of how MBE and MBS are set.
  3. In \*4 and \*5, MB = 15 independently of how MBE and MBS are set.
  4. \*6 to \*11 indicate the areas that can be addressed.

(4) Explanation of number of machine cycles column

S denotes the number of machine cycles required by skip operation when a skip instruction is executed. The value of S varies as follows.

- When no skip is made: S = 0
- When the skipped instruction is a 1- or 2-byte instruction: S = 1
- When the skipped instruction is a 3-byte instruction <sup>Note</sup>: S = 2

**Note** 3-byte instruction: BR !addr, BRA !addr1, CALL !addr or CALLA !addr1 instruction

**Caution** The GETI instruction is skipped in one machine cycle.

One machine cycle is equal to one cycle of CPU clock (= t<sub>cy</sub>); time can be selected from among four types by setting PCC.

Instruction group	Mnemonic	Operand	Number of bytes	Number of machine cycles	Operation	Addressing area	Skip condition
Transfer instruction	MOV	A, #n4	1	1	A ← n4		String effect A
		reg1, #n4	2	2	reg1 ← n4		
		XA, #n8	2	2	XA ← n8		String effect A
		HL, #n8	2	2	HL ← n8		String effect B
		rp2, #n8	2	2	rp2 ← n8		
		A, @HL	1	1	A ← (HL)	*1	
		A, @HL+	1	2+S	A ← (HL), then L ← L+1	*1	L = 0
		A, @HL-	1	2+S	A ← (HL), then L ← L-1	*1	L = FH
		A, @rpa1	1	1	A ← (rpa1)	*2	
		XA, @HL	2	2	XA ← (HL)	*1	
		@HL, A	1	1	(HL) ← A	*1	
		@HL, XA	2	2	(HL) ← XA	*1	
		A, mem	2	2	A ← (mem)	*3	
		XA, mem	2	2	XA ← (mem)	*3	
		mem, A	2	2	(mem) ← A	*3	
		mem, XA	2	2	(mem) ← XA	*3	
		A, reg	2	2	A ← reg		
		XA, rp'	2	2	XA ← rp'		
		reg1, A	2	2	reg1 ← A		
		rp'1, XA	2	2	rp'1 ← XA		
	XCH	A, @HL	1	1	A ↔ (HL)	*1	
		A, @HL+	1	2+S	A ↔ (HL), then L ← L+1	*1	L = 0
		A, @HL-	1	2+S	A ↔ (HL), then L ← L-1	*1	L = FH
		A, @rpa1	1	1	A ↔ (rpa1)	*2	
		XA, @HL	2	2	XA ↔ (HL)	*1	
		A, mem	2	2	A ↔ (mem)	*3	
		XA, mem	2	2	XA ↔ (mem)	*3	
		A, reg1	1	1	A ↔ reg1		
		XA, rp'	2	2	XA ↔ rp'		



Instruction group	Mnemonic	Operand	Number of bytes	Number of machine cycles	Operation	Addressing area	Skip condition
Table reference	MOVT	XA, @PCDE	1	3	● μPD753204 $XA \leftarrow (PC_{11-8}+DE)_{ROM}$		
					● μPD753206, 753208 $XA \leftarrow (PC_{12-8}+DE)_{ROM}$		
		XA, @PCXA	1	3	● μPD753204 $XA \leftarrow (PC_{11-8}+XA)_{ROM}$		
					● μPD753206, 753208 $XA \leftarrow (PC_{12-8}+XA)_{ROM}$		
		XA, @BCDE	1	3	$XA \leftarrow (BCDE)_{ROM}$ <i>Note</i>	*6	
	XA, @BCXA	1	3	$XA \leftarrow (BCXA)_{ROM}$ <i>Note</i>	*6		
Bit transfer	MOV1	CY, fmem.bit	2	2	$CY \leftarrow (fmem.bit)$	*4	
		CY, pmem.@L	2	2	$CY \leftarrow (pmem_{7-2}+L_{3-2}.bit(L_{1-0}))$	*5	
		CY, @H+mem.bit	2	2	$CY \leftarrow (H+mem_{3-0}.bit)$	*1	
		fmem.bit, CY	2	2	$(fmem.bit) \leftarrow CY$	*4	
		pmem.@L, CY	2	2	$(pmem_{7-2}+L_{3-2}.bit(L_{1-0})) \leftarrow CY$	*5	
		@H+mem.bit, CY	2	2	$(H+mem_{3-0}.bit) \leftarrow CY$	*1	
Operation	ADDS	A, #n4	1	1+S	$A \leftarrow A+n4$		carry
		XA, #n8	2	2+S	$XA \leftarrow XA+n8$		carry
		A, @HL	1	1+S	$A \leftarrow A+(HL)$	*1	carry
		XA, rp'	2	2+S	$XA \leftarrow XA+rp'$		carry
		rp'1, XA	2	2+S	$rp'1 \leftarrow rp'1+XA$		carry
	ADDC	A, @HL	1	1	$A, CY \leftarrow A+(HL)+CY$	*1	
		XA, rp'	2	2	$XA, CY \leftarrow XA+rp'+CY$		
		rp'1, XA	2	2	$rp'1, CY \leftarrow rp'1+XA+CY$		
	SUBS	A, @HL	1	1+S	$A \leftarrow A-(HL)$	*1	borrow
		XA, rp'	2	2+S	$XA \leftarrow XA-rp'$		borrow
		rp'1, XA	2	2+S	$rp'1 \leftarrow rp'1-XA$		borrow
	SUBC	A, @HL	1	1	$A, CY \leftarrow A-(HL)-CY$	*1	
		XA, rp'	2	2	$XA, CY \leftarrow XA-rp'-CY$		
		rp'1, XA	2	2	$rp'1, CY \leftarrow rp'1-XA-CY$		

**Note** Set "0" to register B if the μPD753204 is used. Only the low-order one bit of register B will be valid if the μPD753206 or 753208 is used.

Instruction group	Mnemonic	Operand	Number of bytes	Number of machine cycles	Operation	Addressing area	Skip condition
Operation	AND	A, #n4	2	2	$A \leftarrow A \wedge n4$		
		A, @HL	1	1	$A \leftarrow A \wedge (HL)$	*1	
		XA, rp'	2	2	$XA \leftarrow XA \wedge rp'$		
		rp'1, XA	2	2	$rp'1 \leftarrow rp'1 \wedge XA$		
	OR	A, #n4	2	2	$A \leftarrow A \vee n4$		
		A, @HL	1	1	$A \leftarrow A \vee (HL)$	*1	
		XA, rp'	2	2	$XA \leftarrow XA \vee rp'$		
		rp'1, XA	2	2	$rp'1 \leftarrow rp'1 \vee XA$		
	XOR	A, #n4	2	2	$A \leftarrow A \oplus n4$		
		A, @HL	1	1	$A \leftarrow A \oplus (HL)$	*1	
		XA, rp'	2	2	$XA \leftarrow XA \oplus rp'$		
		rp'1, XA	2	2	$rp'1 \leftarrow rp'1 \oplus XA$		
Accumulator manipulation instructions	RORC	A	1	1	$CY \leftarrow A_0, A_3 \leftarrow CY, A_{n-1} \leftarrow A_n$		
	NOT	A	2	2	$A \leftarrow \bar{A}$		
Increment and Decrement instructions	INCS	reg	1	1+S	$reg \leftarrow reg+1$		reg=0
		rp1	1	1+S	$rp1 \leftarrow rp1+1$		rp1=00H
		@HL	2	2+S	$(HL) \leftarrow (HL)+1$	*1	(HL)=0
		mem	2	2+S	$(mem) \leftarrow (mem)+1$	*3	(mem)=0
	DECS	reg	1	1+S	$reg \leftarrow reg-1$		reg=FFH
		rp'	2	2+S	$rp' \leftarrow rp'-1$		rp'=FFH
Comparison instruction	SKE	reg, #n4	2	2+S	Skip if reg = n4		reg=n4
		@HL, #n4	2	2+S	Skip if (HL) = n4	*1	(HL) = n4
		A, @HL	1	1+S	Skip if A = (HL)	*1	A = (HL)
		XA, @HL	2	2+S	Skip if XA = (HL)	*1	XA = (HL)
		A, reg	2	2+S	Skip if A = reg		A=reg
		XA, rp'	2	2+S	Skip if XA = rp'		XA=rp'
Carry flag manipulation instruction	SET1	CY	1	1	$CY \leftarrow 1$		
	CLR1	CY	1	1	$CY \leftarrow 0$		
	SKT	CY	1	1+S	Skip if CY = 1		CY=1
	NOT1	CY	1	1	$CY \leftarrow \bar{CY}$		

Instruction group	Mnemonic	Operand	Number of bytes	Number of machine cycles	Operation	Addressing area	Skip condition
Memory bit manipulation instructions	SET1	mem.bit	2	2	(mem.bit) ← 1	*3	
		fmem.bit	2	2	(fmem.bit) ← 1	*4	
		pmem.@L	2	2	(pmem <sub>7-2</sub> +L <sub>3-2</sub> .bit(L <sub>1-0</sub> )) ← 1	*5	
		@H+mem.bit	2	2	(H+mem <sub>3-0</sub> .bit) ← 1	*1	
	CLR1	mem.bit	2	2	(mem.bit) ← 0	*3	
		fmem.bit	2	2	(fmem.bit) ← 0	*4	
		pmem.@L	2	2	(pmem <sub>7-2</sub> +L <sub>3-2</sub> .bit(L <sub>1-0</sub> )) ← 0	*5	
		@H+mem.bit	2	2	(H+mem <sub>3-0</sub> .bit) ← 0	*1	
	SKT	mem.bit	2	2+S	Skip if (mem.bit)=1	*3	(mem.bit)=1
		fmem.bit	2	2+S	Skip if (fmem.bit)=1	*4	(fmem.bit)=1
		pmem.@L	2	2+S	Skip if (pmem <sub>7-2</sub> +L <sub>3-2</sub> .bit(L <sub>1-0</sub> ))=1	*5	(pmem.@L)=1
		@H+mem.bit	2	2+S	Skip if (H+mem <sub>3-0</sub> .bit)=1	*1	(@H+mem.bit)=1
	SKF	mem.bit	2	2+S	Skip if (mem.bit)=0	*3	(mem.bit)=0
		fmem.bit	2	2+S	Skip if (fmem.bit)=0	*4	(fmem.bit)=0
		pmem.@L	2	2+S	Skip if (pmem <sub>7-2</sub> +L <sub>3-2</sub> .bit(L <sub>1-0</sub> ))=0	*5	(pmem.@L)=0
		@H+mem.bit	2	2+S	Skip if (H+mem <sub>3-0</sub> .bit)=0	*1	(@H+mem.bit)=0
	SKTCLR	fmem.bit	2	2+S	Skip if (fmem.bit)=1 and clear	*4	(fmem.bit)=1
		pmem.@L	2	2+S	Skip if (pmem <sub>7-2</sub> +L <sub>3-2</sub> .bit(L <sub>1-0</sub> ))=1 and clear	*5	(pmem.@L)=1
		@H+mem.bit	2	2+S	Skip if (H+mem <sub>3-0</sub> .bit)=1 and clear	*1	(@H+mem.bit)=1
	AND1	CY, fmem.bit	2	2	CY ← CY ∧ (fmem.bit)	*4	
		CY, pmem.@L	2	2	CY ← CY ∧ (pmem <sub>7-2</sub> +L <sub>3-2</sub> .bit(L <sub>1-0</sub> ))	*5	
		CY, @H+mem.bit	2	2	CY ← CY ∧ (H+mem <sub>3-0</sub> .bit)	*1	
	OR1	CY, fmem.bit	2	2	CY ← CY ∨ (fmem.bit)	*4	
		CY, pmem.@L	2	2	CY ← CY ∨ (pmem <sub>7-2</sub> +L <sub>3-2</sub> .bit(L <sub>1-0</sub> ))	*5	
CY, @H+mem.bit		2	2	CY ← CY ∨ (H+mem <sub>3-0</sub> .bit)	*1		
XOR1	CY, fmem.bit	2	2	CY ← CY ⊕ (fmem.bit)	*4		
	CY, pmem.@L	2	2	CY ← CY ⊕ (pmem <sub>7-2</sub> +L <sub>3-2</sub> .bit(L <sub>1-0</sub> ))	*5		
	CY, @H+mem.bit	2	2	CY ← CY ⊕ (H+mem <sub>3-0</sub> .bit)	*1		

Instruction group	Mnemonic	Operand	Number of bytes	Number of machine cycles	Operation	Addressing area	Skip condition
Branch instructions	BR <sup>Note</sup>	addr	-	-	<ul style="list-style-type: none"> <li>• μPD753204 PC<sub>11-0</sub> ← addr                      (Select the most appropriate instruction from among BR !addr, BR CB !caddr and BR \$addr according to the assembler being used.)</li> </ul>	*6	
					<ul style="list-style-type: none"> <li>• μPD753206, 753208 PC<sub>12-0</sub> ← addr                      (Select the most appropriate instruction from among BR !addr, BR CB !caddr and BR \$addr according to the assembler being used.)</li> </ul>		
		addr1	-	-	<ul style="list-style-type: none"> <li>• μPD753204 PC<sub>11-0</sub> ← addr1                      (Select the most appropriate instruction from among BR !addr, BRA !addr1, BR CB !caddr and BR \$addr1 according to the assembler being used.)</li> </ul>	*11	
					<ul style="list-style-type: none"> <li>• μPD753206, 753208 PC<sub>12-0</sub> ← addr1                      (Select the most appropriate instruction from among BR !addr, BRA !addr1, BR CB !caddr and BR \$addr1 according to the assembler being used.)</li> </ul>		
		! addr	3	3	<ul style="list-style-type: none"> <li>• μPD753204 PC<sub>11-0</sub> ← addr</li> </ul>	*6	
					<ul style="list-style-type: none"> <li>• μPD753206, 753208 PC<sub>12-0</sub> ← addr</li> </ul>		
		\$addr	1	2	<ul style="list-style-type: none"> <li>• μPD753204 PC<sub>11-0</sub> ← addr</li> </ul>	*7	
					<ul style="list-style-type: none"> <li>• μPD753206, 753208 PC<sub>12-0</sub> ← addr</li> </ul>		
\$addr1	1	2	<ul style="list-style-type: none"> <li>• μPD753204 PC<sub>11-0</sub> ← addr1</li> </ul>				
			<ul style="list-style-type: none"> <li>• μPD753206, 753208 PC<sub>12-0</sub> ← addr1</li> </ul>				

**Note** The above operations in the double boxes can be performed only in the Mk II mode. The other operations can be performed only in the Mk I mode.

Instruction group	Mnemonic	Operand	Number of bytes	Number of machine cycles	Operation	Addressing area	Skip condition	
Branch instruction	BR	PCDE	2	3	• μPD753204 PC <sub>11-0</sub> ← PC <sub>11-8</sub> +DE			
					• μPD753206, 753208 PC <sub>12-0</sub> ← PC <sub>12-8</sub> +DE			
		PCXA		2	3	• μPD753204 PC <sub>11-0</sub> ← PC <sub>11-8</sub> +XA		
						• μPD753206, 753208 PC <sub>12-0</sub> ← PC <sub>12-8</sub> +XA		
		BCDE		2	3	• μPD753204 PC <sub>11-0</sub> ← BCDE <i>Note 1</i>	*6	
						• μPD753206, 753208 PC <sub>12-0</sub> ← BCDE <i>Note 2</i>		
		BCXA		2	3	• μPD753204 PC <sub>11-0</sub> ← BCXA <i>Note 1</i>	*6	
						• μPD753206, 753208 PC <sub>12-0</sub> ← BCXA <i>Note 2</i>		
		BRA <i>Note 3</i>	!addr1	3	3	• μPD753204 PC <sub>11-0</sub> ← addr1	*6	
						• μPD753206, 753208 PC <sub>12-0</sub> ← addr1		
	BRCB	!caddr	2	2	• μPD753204 PC <sub>11-0</sub> ← caddr <sub>11-0</sub>	*8		
					• μPD753206, 753208 PC <sub>12-0</sub> ← PC <sub>12</sub> +caddr <sub>11-0</sub>			
Subroutine stack control instructions	CALLA <i>Note 3</i>	!addr1	3	3	• μPD753204 (SP-2) ← X, X, MBE, RBE (SP-6) (SP-3) (SP-4) ← PC <sub>11-0</sub> (SP-5) ← 0, 0, 0, 0 PC <sub>11-0</sub> ← addr1, SP ← SP-6	*11		
					• μPD753206, 753208 (SP-2) ← X, X, MBE, RBE (SP-6) (SP-3) (SP-4) ← PC <sub>11-0</sub> (SP-5) ← 0, 0, 0, PC <sub>12</sub> PC <sub>12-0</sub> ← addr1, SP ← SP-6			

- Notes**
- "0" must be set to the B register.
  - Only the low-order one bit is valid in the B register.
  - The above operations in the double boxes can be performed only in the Mk II mode. The other operations can be performed only in the Mk I mode.

Instruction group	Mnemonic	Operand	Number of bytes	Number of machine cycles	Operation	Addressing area	Skip condition
Subroutine stack control instructions	CALL <sup>Note</sup>	!addr	3	3	<ul style="list-style-type: none"> <li>• μPD753204 (SP-3) ← MBE, RBE, 0, 0 (SP-4) (SP-1) (SP-2) ← PC<sub>11-0</sub> PC<sub>11-0</sub> ← addr, SP ← SP-4</li> <li>• μPD753206, 753208 (SP-3) ← MBE, RBE, 0, PC<sub>12</sub> (SP-4) (SP-1) (SP-2) ← PC<sub>11-0</sub> PC<sub>12-0</sub> ← addr, SP ← SP-4</li> </ul>	*6	
				4	<ul style="list-style-type: none"> <li>• μPD753204 (SP-2) ← x, x, MBE, RBE (SP-6) (SP-3) (SP-4) ← PC<sub>11-0</sub> (SP-5) ← 0, 0, 0, 0 PC<sub>11-0</sub> ← addr, SP ← SP-6</li> <li>• μPD753206, 753208 (SP-2) ← x, x, MBE, RBE (SP-6) (SP-3) (SP-4) ← PC<sub>11-0</sub> (SP-5) ← 0, 0, 0, PC<sub>12</sub> PC<sub>12-0</sub> ← addr, SP ← SP-6</li> </ul>		
			2	2	<ul style="list-style-type: none"> <li>• μPD753204 (SP-3) ← MBE, RBE, 0, 0 (SP-4) (SP-1) (SP-2) ← PC<sub>11-0</sub> PC<sub>11-0</sub> ← 0+faddr, SP ← SP-4</li> <li>• μPD753206, 753208 (SP-3) ← MBE, RBE, 0, PC<sub>12</sub> (SP-4) (SP-1) (SP-2) ← PC<sub>11-0</sub> PC<sub>12-0</sub> ← 00+faddr, SP ← SP-4</li> </ul>	*9	
				3	<ul style="list-style-type: none"> <li>• μPD753204 (SP-2) → x, x, MBE, RBE (SP-6) (SP-3) (SP-4) ← PC<sub>11-0</sub> (SP-5) ← 0, 0, 0, 0 PC<sub>11-0</sub> ← 0+faddr, SP ← SP-6</li> <li>• μPD753206, 753208 (SP-2) → x, x, MBE, RBE (SP-6) (SP-3) (SP-4) ← PC<sub>11-0</sub> (SP-5) ← 0, 0, 0, PC<sub>12</sub> PC<sub>12-0</sub> ← 00+faddr, SP ← SP-6</li> </ul>		

**Note** The above operations in the double boxes can be performed only in the Mk II mode. The other operations can be performed only in the Mk I mode.

Instruction group	Mnemonic	Operand	Number of bytes	Number of machine cycles	Operation	Addressing area	Skip condition
Subroutine stack control instructions	RET <sup>Note</sup>		1	3	<ul style="list-style-type: none"> <li>• μPD753204 PC<sub>11-0</sub> ← (SP) (SP+3) (SP+2) MBE, RBE, 0, 0 ← (SP+1), SP ← SP+4</li> <li>• μPD753206, 753208 PC<sub>11-0</sub> ← (SP) (SP+3) (SP+2) MBE, RBE, 0, PC<sub>12</sub> ← (SP+1), SP ← SP+4</li> <li>• μPD753204 x, x, MBE, RBE ← (SP+4) 0, 0, 0, 0, ← (SP+1) PC<sub>11-0</sub> ← (SP) (SP+3) (SP+2), SP ← SP+6</li> <li>• μPD753206, 753208 x, x, MBE, RBE ← (SP+4) MBE, 0, 0, PC<sub>12</sub> ← (SP+1) PC<sub>11-0</sub> ← (SP) (SP+3) (SP+2), SP ← SP+6</li> </ul>		
	RETS <sup>Note</sup>		1	3+S	<ul style="list-style-type: none"> <li>• μPD753204 MBE, RBE, 0, 0 ← (SP+1) PC<sub>11-0</sub> ← (SP) (SP+3) (SP+2) SP ← SP+4 then skip unconditionally</li> <li>• μPD753206, 753208 MBE, RBE, 0, PC<sub>12</sub> ← (SP+1) PC<sub>11-0</sub> ← (SP) (SP+3) (SP+2) SP ← SP+4 then skip unconditionally</li> <li>• μPD753204 0, 0, 0, 0 ← (SP+1) PC<sub>11-0</sub> ← (SP) (SP+3) (SP+2) x, x, MBE, RBE ← (SP+4) SP ← SP+6 then skip unconditionally</li> <li>• μPD753206, 753208 0, 0, 0, PC<sub>12</sub> ← (SP+1) PC<sub>11-0</sub> ← (SP) (SP+3) (SP+2) x, x, MBE, RBE ← (SP+4) SP ← SP+4 then skip unconditionally</li> </ul>		Unconditional

**Note** The above operations in the double boxes can be performed only in the Mk II mode. The other operations can be performed only in the Mk I mode.

Instruction group	Mnemonic	Operand	Number of bytes	Number of machine cycles	Operation	Addressing area	Skip condition	
Subroutine stack control instructions	RETI <sup>Note 1</sup>		1	3	<ul style="list-style-type: none"> <li>• μPD753204 MBE, RBE, 0, 0 ← (SP+1) PC<sub>11-0</sub> ← (SP) (SP+3) (SP+2) PSW ← (SP+4) (SP+5), SP ← SP+6</li> <li>• μPD753206, 753208 MBE, RBE, 0, PC<sub>12</sub> ← (SP+1) PC<sub>11-0</sub> ← (SP) (SP+3) (SP+2) PSW ← (SP+4) (SP+5), SP ← SP+6</li> </ul>			
					<ul style="list-style-type: none"> <li>• μPD753204 0, 0, 0, 0 ← (SP+1) PC<sub>11-0</sub> ← (SP) (SP+3) (SP+2) PSW ← (SP+4) (SP+5), SP ← SP+6</li> <li>• μPD753206, 753208 0, 0, 0, PC<sub>12</sub> ← (SP+1) PC<sub>11-0</sub> ← (SP) (SP+3) (SP+2) PSW ← (SP+4) (SP+5), SP ← SP+6</li> </ul>			
		PUSH	rp	1	1	(SP-1)(SP-2) ← rp, SP ← SP-2		
			BS	2	2	(SP-1) ← MBS, (SP-2) ← RBS, SP ← SP-2		
		POP	rp	1	1	rp ← (SP+1) (SP), SP ← SP+2		
			BS	2	2	MBS ← (SP+1), RBS ← (SP), SP ← SP+2		
Interrupt control instructions	EI		2	2	IME (IPS.3) ← 1			
		IE <sub>xxx</sub>	2	2	IE <sub>xxx</sub> ← 1			
	DI		2	2	IME (IPS.3) ← 0			
		IE <sub>xxx</sub>	2	2	IE <sub>xxx</sub> ← 0			
Input/output instructions	IN <sup>Note 2</sup>	A, PORT <sub>n</sub>	2	2	A ← PORT <sub>n</sub> (n = 0-3, 5, 6, 8, 9)			
		XA, PORT <sub>n</sub>	2	2	XA ← PORT <sub>n+1</sub> , PORT <sub>n</sub> (n = 8)			
	OUT <sup>Note 2</sup>	PORT <sub>n</sub> , A	2	2	PORT <sub>n</sub> ← A (n = 3, 5, 6, 8, 9)			
		PORT <sub>n</sub> , XA	2	2	PORT <sub>n+1</sub> , PORT <sub>n</sub> ← XA (n = 8)			
CPU control instructions	HALT		2	2	Set HALT Mode (PCC.2 ← 1)			
	STOP		2	2	Set STOP Mode (PCC.3 ← 1)			
	NOP		1	1	No Operation			
Special instructions	SEL	RB <sub>n</sub>	2	2	RBS ← n (n = 0-3)			
		MB <sub>n</sub>	2	2	MBS ← n (n = 0, 1, 15)			

- Notes**
1. The above operations in the double boxes can be performed only in the Mk II mode. The other operations can be performed only in the Mk I mode.
  2. While the IN instruction and OUT instruction are being executed, the MBE must be set to 0 or 1 and MBS must be set to 15.



Instruction group	Mnemonic	Operand	Number of bytes	Number of machine cycles	Operation	Addressing area	Skip condition
Special instructions	GET <sup>Notes 1, 2</sup>	taddr	1	3	<ul style="list-style-type: none"> <li>• μPD753204</li> <li>• When TBR instruction PC<sub>11-0</sub> ← (taddr)<sub>3-0</sub> + (taddr+1)</li> </ul>	*10	
					<ul style="list-style-type: none"> <li>• When TCALL instruction (SP-4) (SP-1) (SP-2) ← PC<sub>11-0</sub> (SP-3) ← MBE, RBE, 0, 0 PC<sub>11-0</sub> ← (taddr)<sub>3-0</sub> + (taddr+1) SP ← SP-4</li> </ul>		
					<ul style="list-style-type: none"> <li>• When instruction other than TBR and TCALL instructions (taddr) (taddr+1) instruction is executed.</li> </ul>		Depending on the reference instruction
					<ul style="list-style-type: none"> <li>• μPD753206, 753208</li> <li>• When TBR instruction PC<sub>12-0</sub> ← (taddr)<sub>4-0</sub> + (taddr+1)</li> </ul>		
					<ul style="list-style-type: none"> <li>• When TCALL instruction (SP-4) (SP-1) (SP-2) ← PC<sub>11-0</sub> (SP-3) ← MBE, RBE, 0, PC<sub>12</sub> PC<sub>12-0</sub> ← (taddr)<sub>4-0</sub> + (taddr+1) SP ← SP-4</li> </ul>		
					<ul style="list-style-type: none"> <li>• When instruction other than TBR and TCALL instructions (taddr) (taddr+1) instruction is executed.</li> </ul>		Depending on the reference instruction
				3	<ul style="list-style-type: none"> <li>• μPD753204</li> <li>• When TBR instruction PC<sub>11-0</sub> ← (taddr)<sub>3-0</sub> + (taddr+1)</li> </ul>	*10	
				4	<ul style="list-style-type: none"> <li>• When TCALL instruction (SP-6) (SP-3) (SP-4) ← PC<sub>11-0</sub> (SP-5) ← 0, 0, 0, 0 (SP-2) ← X, X, MBE, RBE PC<sub>11-0</sub> ← (taddr)<sub>3-0</sub> + (taddr+1) SP ← SP-6</li> </ul>		
				3	<ul style="list-style-type: none"> <li>• When instruction other than TBR and TCALL instructions (taddr) (taddr+1) instruction is executed.</li> </ul>		Depending on the reference instruction

- Notes**
1. The TBR and TCALL instructions are the table definition assembler pseudo instructions of the GETI instruction.
  2. The above operations in the double boxes can be performed only in the Mk II mode. The other operations can be performed only in the Mk I mode.

Instruction group	Mnemonic	Operand	Number of bytes	Number of machine cycles	Operation	Addressing area	Skip condition
Special instructions	GETI <sup>Notes 1, 2</sup>	taddr	1	3	<ul style="list-style-type: none"> <li>• μPD753206, 753208</li> <li>• When TBR instruction  <math>PC_{12-0} \leftarrow (taddr)_{4-0} + (taddr+1)</math> </li> </ul>	*10	
				4	<ul style="list-style-type: none"> <li>• When TCALL instruction  <math>(SP-6) (SP-3) (SP-4) \leftarrow PC_{11-0}</math>  <math>(SP-5) \leftarrow 0, 0, 0, PC_{12}</math>  <math>(SP-2) \leftarrow x, x, MBE, RBE</math>  <math>PC_{12-0} \leftarrow (taddr)_{4-0} + (taddr+1)</math>  <math>SP \leftarrow SP-6</math> </li> </ul>		
				3	<ul style="list-style-type: none"> <li>• When instruction other than TBR and TCALL instructions  <math>(taddr) (taddr+1)</math> instruction is executed.                     </li> </ul>		Depending on the reference instruction

- Notes**
1. The TBR and TCALL instructions are the table definition assembler pseudo instructions of the GETI instruction.
  2. The above operations in the double boxes can be performed only in the Mk II mode.

12. ELECTRICAL SPECIFICATIONS

ABSOLUTE MAXIMUM RATINGS (T<sub>A</sub> = 25°C)

Parameter	Symbol	Test Conditions	Rating	Unit	
Supply voltage	V <sub>DD</sub>		-0.3 to +7.0	V	
Input voltage	V <sub>I1</sub>	Except port 5	-0.3 to V <sub>DD</sub> + 0.3	V	
	V <sub>I2</sub>	Port 5	On-chip pull-up resistor	-0.3 to V <sub>DD</sub> + 0.3	V
			When N-ch open-drain	-0.3 to +14	V
Output voltage	V <sub>O</sub>		-0.3 to V <sub>DD</sub> + 0.3	V	
Output current high	I <sub>OH</sub>	Per pin	-10	mA	
		Total for all pins	-30	mA	
Output current low	I <sub>OL</sub>	Per pin	30	mA	
		Total for all pins	220	mA	
Operating ambient temperature	T <sub>A</sub>		-40 to +85 <sup>Note</sup>	°C	
Storage temperature	T <sub>stg</sub>		-65 to +150	°C	

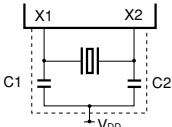
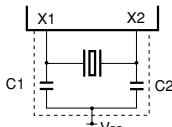
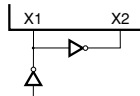
**Note** When LCD is driven in normal mode: T<sub>A</sub> = -10 to +85°C

**Caution** Product quality may suffer if the absolute maximum rating is exceeded for even a single parameter or even momentarily. That is, the absolute ratings are rated values at which the product is on the verge of suffering physical damage, and therefore the product must be used under conditions which ensure that the absolute maximum ratings are not exceeded.

CAPACITANCE (T<sub>A</sub> = 25°C, V<sub>DD</sub> = 0 V)

Parameter	Symbol	Test Conditions	MIN.	TYP.	MAX.	Unit
Input capacitance	C <sub>IN</sub>	f = 1 MHz			15	pF
Output capacitance	C <sub>OUT</sub>	Unmeasured pins returned to 0 V.			15	pF
I/O capacitance	C <sub>IO</sub>				15	pF

SYSTEM CLOCK OSCILLATOR CHARACTERISTICS (T<sub>A</sub> = -40 to +85°C, V<sub>DD</sub> = 1.8 to 5.5 V)

Resonator	Recommended constant	Parameter	Test conditions	MIN.	TYP.	MAX.	Unit
Ceramic resonator		Oscillator frequency (f <sub>x</sub> ) <sup>Note 1</sup>		1.0		6.0 <sup>Note 2</sup>	MHz
		Oscillation stabilization time <sup>Note 3</sup>	After V <sub>DD</sub> reaches oscillation voltage range MIN.			4	ms
Crystal resonator		Oscillator frequency (f <sub>x</sub> ) <sup>Note 1</sup>		1.0		6.0 <sup>Note 2</sup>	MHz
		Oscillation stabilization time <sup>Note 3</sup>	V <sub>DD</sub> = 4.5 to 5.5 V			10 30	ms
External clock		X1 input frequency (f <sub>x</sub> ) <sup>Note 1</sup>		1.0		6.0 <sup>Note 2</sup>	MHz
		X1 input high/low level width (t <sub>xH</sub> , t <sub>xL</sub> )			83.3		500

★

- Notes**
1. The oscillator frequency and X1 input frequency indicate characteristics of the oscillator only. For the instruction execution time, refer to the AC characteristics.
  2. When the oscillator frequency is 4.19 MHz < f<sub>x</sub> ≤ 6.0 MHz, setting the processor clock control register (PCC) to 0011 results in 1 machine cycle being less than the required 0.95 μs. Therefore, set PCC to a value other than 0011.
  3. The oscillation stabilization time is necessary for oscillation to stabilize after applying V<sub>DD</sub> or releasing the STOP mode.

**Caution** When using the system clock oscillator, wiring in the area enclosed with the dotted line should be carried out as follows to avoid an adverse effect from wiring capacitance.

- Wiring should be as short as possible.
- Wiring should not cross other signal lines.
- Wiring should not be placed close to a varying high current.
- The potential of the oscillator capacitor ground should be the same as V<sub>DD</sub>.
- Do not ground it to the ground pattern in which a high current flows.
- Do not fetch a signal from the oscillator.

★ **RECOMMENDED OSCILLATOR CONSTANTS**

**Ceramic resonator (TA = -40 to 85°C)**

Manufacturer	Part number	Frequency (MHz)	Oscillator constant (pF)		Oscillation voltage range (V <sub>DD</sub> )		Remark
			C1	C2	MIN. (V)	MAX. (V)	
TDK	CCR1000K2	1.0	100	100	1.8	5.5	—
	CCR2.0MC33	2.0	—	—	2.0		On-chip capacitor
	CCR3.58MC3	3.58					
	CCR4.19MC3	4.19					
	FCR4.19MC5	6.0			2.2		
	CCR6.0MC3				2.5		
	FCR6.0MC5						

**Caution** The oscillator constant and oscillation voltage range indicate conditions of stable oscillation. Oscillation frequency precision is not guaranteed. For applications requiring oscillation frequency precision, the oscillation frequency must be adjusted on the implementation circuit. For details, please contact directly the manufacturer of the resonator you will use.

DC CHARACTERISTICS (T<sub>A</sub> = -40 to +85°C, V<sub>DD</sub> = 1.8 to 5.5 V)

Parameter	Symbol	Test conditions		MIN.	TYP.	MAX.	Unit
★ Output voltage low	I <sub>OL</sub>	Per pin				15	mA
		Sum of the all pins				150	mA
Input voltage high	V <sub>IH1</sub>	Ports 2, 3, 8, and 9		2.7 ≤ V <sub>DD</sub> ≤ 5.5 V	0.7V <sub>DD</sub>	V <sub>DD</sub>	V
				1.8 ≤ V <sub>DD</sub> < 2.7 V	0.9V <sub>DD</sub>	V <sub>DD</sub>	V
	V <sub>IH2</sub>	Ports 0, 1, 6, $\overline{\text{RESET}}$		2.7 ≤ V <sub>DD</sub> ≤ 5.5 V	0.8V <sub>DD</sub>	V <sub>DD</sub>	V
				1.8 ≤ V <sub>DD</sub> < 2.7 V	0.9V <sub>DD</sub>	V <sub>DD</sub>	V
	V <sub>IH3</sub>	Port 5	When a pull-up register is incorporated	2.7 ≤ V <sub>DD</sub> ≤ 5.5 V	0.7V <sub>DD</sub>	V <sub>DD</sub>	V
				1.8 ≤ V <sub>DD</sub> < 2.7 V	0.9V <sub>DD</sub>	V <sub>DD</sub>	V
			When N-ch open-drain	2.7 ≤ V <sub>DD</sub> ≤ 5.5 V	0.7V <sub>DD</sub>	13	V
				1.8 ≤ V <sub>DD</sub> < 2.7 V	0.9V <sub>DD</sub>	13	V
V <sub>IH4</sub>	X1		V <sub>DD</sub> - 0.1		V <sub>DD</sub>	V	
Input voltage low	V <sub>IL1</sub>	Ports 2, 3, 5, 8, and 9		2.7 ≤ V <sub>DD</sub> ≤ 5.5 V	0	0.3V <sub>DD</sub>	V
				1.8 ≤ V <sub>DD</sub> < 2.7 V	0	0.1V <sub>DD</sub>	V
	V <sub>IL2</sub>	Ports 0, 1, 6, $\overline{\text{RESET}}$		2.7 ≤ V <sub>DD</sub> ≤ 5.5 V	0	0.2V <sub>DD</sub>	V
				1.8 ≤ V <sub>DD</sub> < 2.7 V	0	0.1V <sub>DD</sub>	V
	V <sub>IL3</sub>	X1		0		0.1	V
Output voltage high	V <sub>OH</sub>	$\overline{\text{SCK}}$ , SO, ports 2, 3, 6, 8, and 9 I <sub>OH</sub> = -1.0 mA		V <sub>DD</sub> - 0.5			V
Output voltage low	V <sub>OL1</sub>	$\overline{\text{SCK}}$ , SO, ports 2, 3, 5, 6, 8, and 9		I <sub>OL</sub> = 15 mA, V <sub>DD</sub> = 4.5 to 5.5 V	0.2	2.0	V
				I <sub>OL</sub> = 1.6 mA		0.4	V
	V <sub>OL2</sub>	SB0, SB1	N-ch open-drain pull-up resistor ≥ 1 kΩ			0.2V <sub>DD</sub>	V
Input leakage current high	I <sub>LIH1</sub>	V <sub>IN</sub> = V <sub>DD</sub>	Other pins than X1			3	μA
	I <sub>LIH2</sub>		X1			20	μA
	I <sub>LIH3</sub>	V <sub>IN</sub> = 13 V	Port 5 (When N-ch open-drain)			20	μA
★ Input leakage current low	I <sub>LIL1</sub>	V <sub>IN</sub> = 0 V	Other pins than port 5 and X1			-3	μA
			X1			-20	μA
	Port 5 (When N-ch open drain) Other than when an input instruction is executed				-3	μA	
			Port 5 (When N-ch open-drain) When an input instruction is executed	V <sub>DD</sub> = 5.0 V	-10	-27	μA
				V <sub>DD</sub> = 3.0 V	-3	-8	μA
Output leakage current high	I <sub>LOH1</sub>	V <sub>OUT</sub> = V <sub>DD</sub>	$\overline{\text{SCK}}$ , SO/SB0, SB1, ports 2, 3, 6, 8 and 9 Port 5 (When a pull-up resistor is incorporated.)			3	μA
			I <sub>LOH2</sub>	V <sub>OUT</sub> = 13 V	Port 5 (When N-ch open-drain)		
Output leakage current low	I <sub>LOL</sub>	V <sub>OUT</sub> = 0 V				-3	μA
On-chip pull-up resistor	R <sub>L1</sub>	V <sub>IN</sub> = 0 V	Ports 0 to 3, 6, 8, and 9 (Excluding P00 pin)	50	100	200	kΩ
	R <sub>L2</sub>		Port 5 (Mask option)	15	30	60	kΩ

DC CHARACTERISTICS (T<sub>A</sub> = -40 to +85°C, V<sub>DD</sub> = 1.8 to 5.5 V)

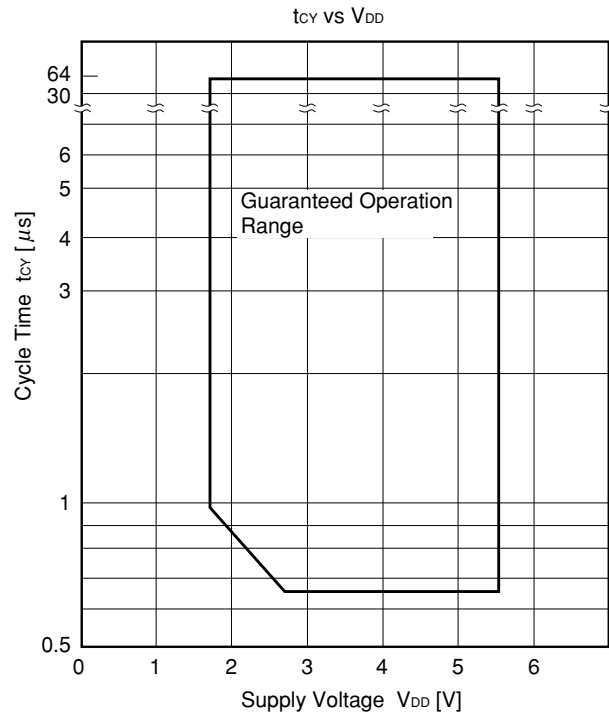
Parameter	Symbol	Test conditions		MIN.	TYP.	MAX.	Unit	
★ LCD drive voltage	V <sub>LCD</sub>	VAC0 = 0	T <sub>A</sub> = -40 to +85°C	2.7		V <sub>DD</sub>	V	
			T <sub>A</sub> = -10 to +85°C	2.2		V <sub>DD</sub>	V	
		VAC0 = 1		1.8		V <sub>DD</sub>	V	
★ VAC current <sup>Note 1</sup>	I <sub>VAC</sub>	VAC0 = 1, V <sub>DD</sub> = 2.0 V ± 10%			1	4	μA	
LCD split resistor <sup>Note 2</sup>	R <sub>LCD1</sub>			50	100	200	kΩ	
	R <sub>LCD2</sub>			5	10	20	kΩ	
LCD output voltage deviation <sup>Note 3</sup> (common)	V <sub>ODC</sub>	I <sub>o</sub> = ±1.0 μA	V <sub>LCD0</sub> = V <sub>LCD</sub> V <sub>LCD1</sub> = V <sub>LCD</sub> × 2/3	0		±0.2	V	
LCD output voltage deviation <sup>Note 3</sup> (segment)	V <sub>ODS</sub>	I <sub>o</sub> = ±0.5 μA	V <sub>LCD2</sub> = V <sub>LCD</sub> × 1/3 1.8 V ≤ V <sub>LCD</sub> ≤ V <sub>DD</sub>	0		±0.2	V	
Supply current <sup>Note 4</sup>	I <sub>DD1</sub>	6.0 MHz Crystal oscillation C1 = C2 = 22 pF	V <sub>DD</sub> = 5.0 V ± 10% <sup>Note 5</sup>		1.9	6.0	mA	
			V <sub>DD</sub> = 3.0 V ± 10% <sup>Note 6</sup>		0.4	1.3	mA	
	I <sub>DD2</sub>		HALT mode	V <sub>DD</sub> = 5.0 V ± 10%		0.72	2.1	mA
				V <sub>DD</sub> = 3.0 V ± 10%		0.27	0.8	mA
	I <sub>DD1</sub>	4.19 MHz Crystal oscillation C1 = C2 = 22 pF	V <sub>DD</sub> = 5.0 V ± 10% <sup>Note 5</sup>		1.5	4.0	mA	
			V <sub>DD</sub> = 3.0 V ± 10% <sup>Note 6</sup>		0.25	0.75	mA	
	I <sub>DD2</sub>		HALT mode	V <sub>DD</sub> = 5.0 V ± 10%		0.7	2.0	mA
				V <sub>DD</sub> = 3.0 V ± 10%		0.23	0.7	mA
	I <sub>DD3</sub>	STOP mode	V <sub>DD</sub> = 5.0 V ± 10%		0.05	10	μA	
			V <sub>DD</sub> = 3.0 V ± 10%		0.02	5	μA	
		T <sub>A</sub> = 25°C		0.02	3	μA		

- Notes**
1. Set VAC0 to 0 when setting the STOP mode. If VAC0 is set to 1, the current increases by about 1 μA.
  2. Either R<sub>LCD1</sub> or R<sub>LCD2</sub> can be selected by the mask option.
  3. The voltage deviation is the difference from the output voltage corresponding to the ideal value of the segment and common outputs (V<sub>LCDn</sub>; n = 0, 1, 2).
  4. Not including currents flowing in on-chip pull-up resistors or LCD split resistors.
  5. When the processor clock control register (PCC) is set to 0011 and the device is operated in the high-speed mode.
  6. When PCC is set to 0000 and the device is operated in the low-speed mode.

AC CHARACTERISTICS (T<sub>A</sub> = -40 to +85°C, V<sub>DD</sub> = 1.8 to 5.5 V)

Parameter	Symbol	Test conditions		MIN.	TYP.	MAX.	Unit
CPU clock cycle time <sup>Note 1</sup>	t <sub>CY</sub>	V <sub>DD</sub> = 2.7 to 5.5 V		0.67		64	μs
				0.95		64	μs
T10 input frequency	f <sub>TI</sub>	V <sub>DD</sub> = 2.7 to 5.5 V		0		1.0	MHz
				0		275	kHz
T10 input high/low-level width	t <sub>TIH</sub> , t <sub>TIL</sub>	V <sub>DD</sub> = 2.7 to 5.5 V		0.48			μs
				1.8			μs
Interrupt input high/low-level width	t <sub>INTH</sub> , t <sub>INTL</sub>	INT0	IM02 = 0	<b>Note 2</b>			μs
			IM02 = 1	10			μs
		INT4		10			μs
		KR0 to KR3		10			μs
RESET low level width	t <sub>RSL</sub>			10			μs

- Notes**
- The cycle time (minimum instruction execution time) of the CPU clock (Φ) is determined by the oscillation frequency of the connected resonator (and external clock) and the processor clock control register (PCC). The figure at the right indicates the cycle time t<sub>CY</sub> versus supply voltage V<sub>DD</sub> characteristic.
  - 2t<sub>CY</sub> or 128/f<sub>X</sub> is set by setting the interrupt mode register (IM0).





**SERIAL TRANSFER OPERATION**

**2-Wire and 3-Wire Serial I/O Mode ( $\overline{\text{SCK}}$ ...Internal clock output): ( $T_A = -40$  to  $+85^\circ\text{C}$ ,  $V_{DD} = 1.8$  to  $5.5$  V)**

Parameter	Symbol	Test conditions	MIN.	TYP.	MAX.	Unit
$\overline{\text{SCK}}$ cycle time	$t_{\text{KCY1}}$	$V_{DD} = 2.7$ to $5.5$ V	1300			ns
			3800			ns
$\overline{\text{SCK}}$ high/low-level width	$t_{\text{KL1}}, t_{\text{KH1}}$	$V_{DD} = 2.7$ to $5.5$ V	$t_{\text{KCY1}}/2 - 50$			ns
			$t_{\text{KCY1}}/2 - 150$			ns
SI <sup>Note 1</sup> setup time (to $\overline{\text{SCK}}\uparrow$ )	$t_{\text{SIK1}}$	$V_{DD} = 2.7$ to $5.5$ V	150			ns
			500			ns
SI <sup>Note 1</sup> hold time (from $\overline{\text{SCK}}\uparrow$ )	$t_{\text{KSI1}}$	$V_{DD} = 2.7$ to $5.5$ V	400			ns
			600			ns
SO <sup>Note 1</sup> output delay time from $\overline{\text{SCK}}\downarrow$	$t_{\text{KSO1}}$	$R_L = 1$ kΩ, $C_L = 100$ pF	$V_{DD} = 2.7$ to $5.5$ V		250	ns
				0	1000	ns

- Notes**
1. In the 2-wire serial I/O mode, read SB0 or SB1 instead.
  2.  $R_L$  and  $C_L$  are the load resistance and load capacitance of the SO output lines.

**2-Wire and 3-Wire Serial I/O Mode ( $\overline{\text{SCK}}$ ...External clock input): ( $T_A = -40$  to  $+85^\circ\text{C}$ ,  $V_{DD} = 1.8$  to  $5.5$  V)**

Parameter	Symbol	Test conditions	MIN.	TYP.	MAX.	Unit
$\overline{\text{SCK}}$ cycle time	$t_{\text{KCY2}}$	$V_{DD} = 2.7$ to $5.5$ V	800			ns
			3200			ns
$\overline{\text{SCK}}$ high/low-level width	$t_{\text{KL2}}, t_{\text{KH2}}$	$V_{DD} = 2.7$ to $5.5$ V	400			ns
			1600			ns
SI <sup>Note 1</sup> setup time (to $\overline{\text{SCK}}\uparrow$ )	$t_{\text{SIK2}}$	$V_{DD} = 2.7$ to $5.5$ V	100			ns
			150			ns
SI <sup>Note 1</sup> hold time (from $\overline{\text{SCK}}\uparrow$ )	$t_{\text{KSI2}}$	$V_{DD} = 2.7$ to $5.5$ V	400			ns
			600			ns
SO <sup>Note 1</sup> output delay time from $\overline{\text{SCK}}\downarrow$	$t_{\text{KSO2}}$	$R_L = 1$ kΩ, $C_L = 100$ pF	$V_{DD} = 2.7$ to $5.5$ V		300	ns
				0	1000	ns

- Notes**
1. In the 2-wire serial I/O mode, read SB0 or SB1 instead.
  2.  $R_L$  and  $C_L$  are the load resistance and load capacitance of the SO output lines.

**SBI Mode ( $\overline{\text{SCK}}$ ...Internal clock output (master)): ( $T_A = -40$  to  $+85$  °C,  $V_{DD} = 1.8$  to  $5.5$  V)**

Parameter	Symbol	Test conditions	MIN.	TYP.	MAX.	Unit
$\overline{\text{SCK}}$ cycle time	$t_{\text{KCY3}}$	$V_{DD} = 2.7$ to $5.5$ V	1300			ns
			3800			ns
$\overline{\text{SCK}}$ high/low-level width	$t_{\text{KL3}}, t_{\text{KH3}}$	$V_{DD} = 2.7$ to $5.5$ V	$t_{\text{KCY3}}/2 - 50$			ns
			$t_{\text{KCY3}}/2 - 150$			ns
SB0, 1 setup time (to $\overline{\text{SCK}}\uparrow$ )	$t_{\text{SIK3}}$	$V_{DD} = 2.7$ to $5.5$ V	150			ns
			500			ns
SB0, 1 hold time (from $\overline{\text{SCK}}\uparrow$ )	$t_{\text{KSI3}}$	$V_{DD} = 2.7$ to $5.5$ V	$t_{\text{KCY3}}/2$			ns
SB0, 1 output delay time from $\overline{\text{SCK}}\downarrow$	$t_{\text{KSO3}}$	$R_L = 1$ k $\Omega$ , $C_L = 100$ pF	Note $V_{DD} = 2.7$ to $5.5$ V		250	ns
				0	1000	ns
SB0, 1 $\downarrow$ from $\overline{\text{SCK}}\uparrow$	$t_{\text{KSB}}$		$t_{\text{KCY3}}$			ns
$\overline{\text{SCK}}\downarrow$ from SB0, 1 $\uparrow$	$t_{\text{SBK}}$		$t_{\text{KCY3}}$			ns
SB0, 1 low-level width	$t_{\text{SBL}}$		$t_{\text{KCY3}}$			ns
SB0, 1 high-level width	$t_{\text{SBH}}$		$t_{\text{KCY3}}$			ns

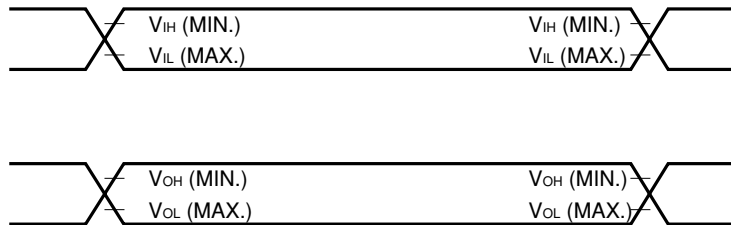
**Note**  $R_L$  and  $C_L$  are the load resistance and load capacitance of the SB0 and SB1 output lines.

**SBI Mode ( $\overline{\text{SCK}}$ ...External clock input (slave)): ( $T_A = -40$  to  $+85$  °C,  $V_{DD} = 1.8$  to  $5.5$  V)**

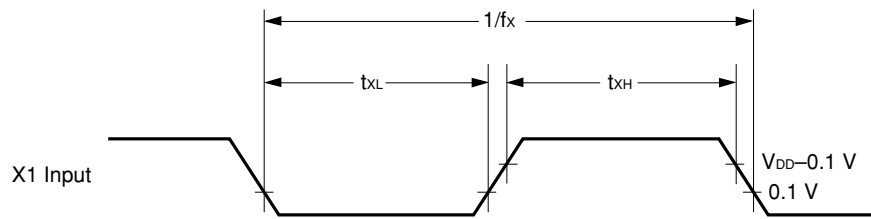
Parameter	Symbol	Test conditions	MIN.	TYP.	MAX.	Unit
$\overline{\text{SCK}}$ cycle time	$t_{\text{KCY4}}$	$V_{DD} = 2.7$ to $5.5$ V	800			ns
			3200			ns
$\overline{\text{SCK}}$ high/low-level width	$t_{\text{KL4}}, t_{\text{KH4}}$	$V_{DD} = 2.7$ to $5.5$ V	400			ns
			1600			ns
SB0, 1 setup time (to $\overline{\text{SCK}}\uparrow$ )	$t_{\text{SIK4}}$	$V_{DD} = 2.7$ to $5.5$ V	100			ns
			150			ns
SB0, 1 hold time (from $\overline{\text{SCK}}\uparrow$ )	$t_{\text{KSI4}}$	$V_{DD} = 2.7$ to $5.5$ V	$t_{\text{KCY4}}/2$			ns
SB0, 1 output delay time from $\overline{\text{SCK}}\downarrow$	$t_{\text{KSO4}}$	$R_L = 1$ k $\Omega$ , $C_L = 100$ pF	Note $V_{DD} = 2.7$ to $5.5$ V		300	ns
				0	1000	ns
SB0, 1 $\downarrow$ from $\overline{\text{SCK}}\uparrow$	$t_{\text{KSB}}$		$t_{\text{KCY4}}$			ns
$\overline{\text{SCK}}\downarrow$ from SB0, 1 $\uparrow$	$t_{\text{SBK}}$		$t_{\text{KCY4}}$			ns
SB0, 1 low-level width	$t_{\text{SBL}}$		$t_{\text{KCY4}}$			ns
SB0, 1 high-level width	$t_{\text{SBH}}$		$t_{\text{KCY4}}$			ns

**Note**  $R_L$  and  $C_L$  are the load resistance and load capacitance of the SB0 and SB1 output lines.

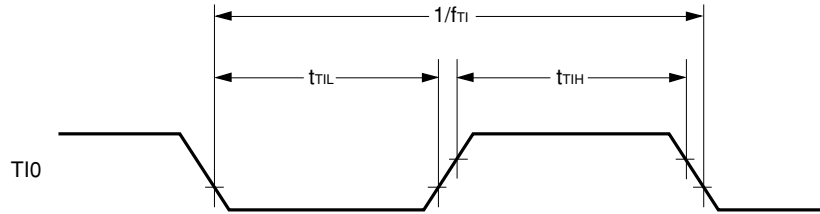
★ AC Timing Test Point (Excluding X1 Input)



Clock Timing

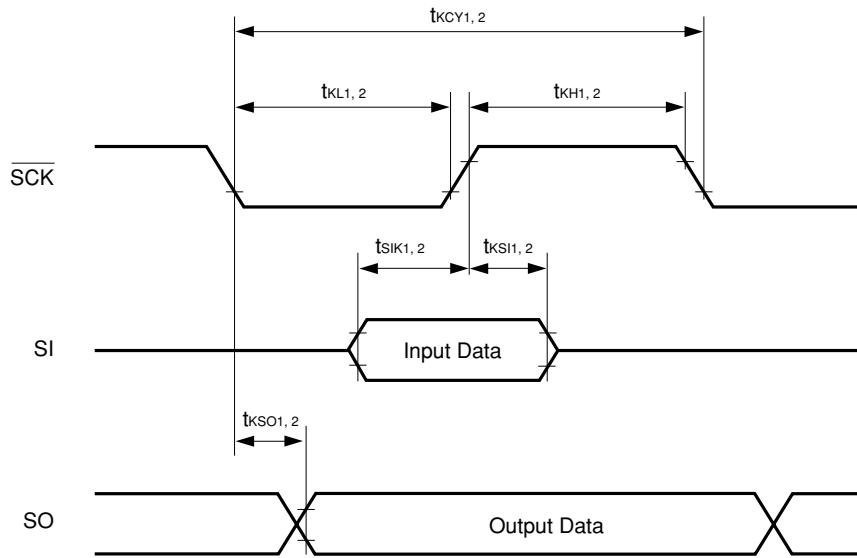


T10 Timing

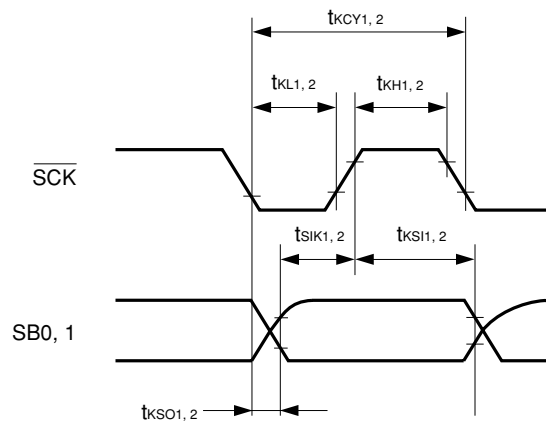


Serial Transfer Timing

3-wire serial I/O mode

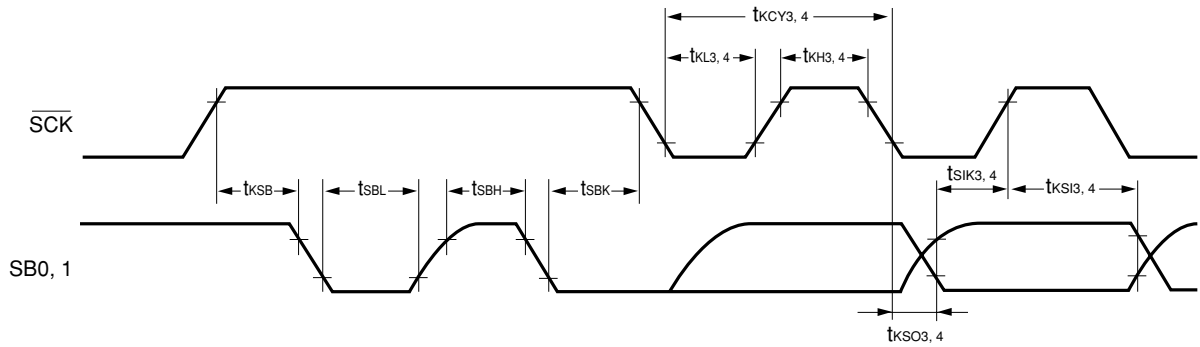


2-wire serial I/O mode

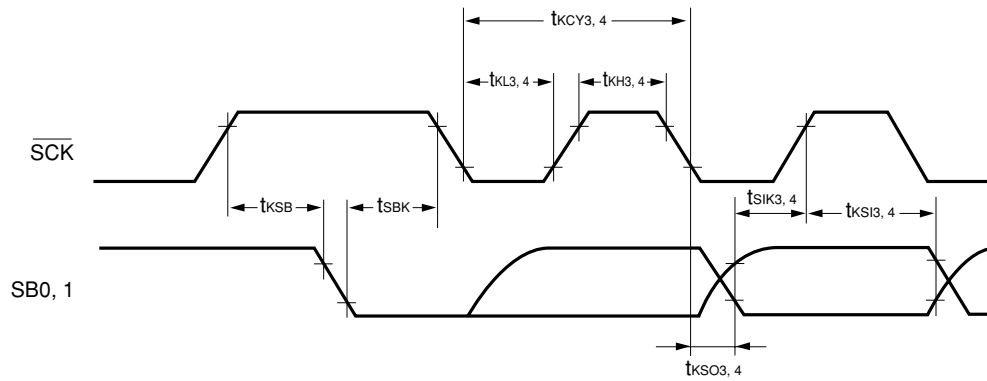


Serial Transfer Timing

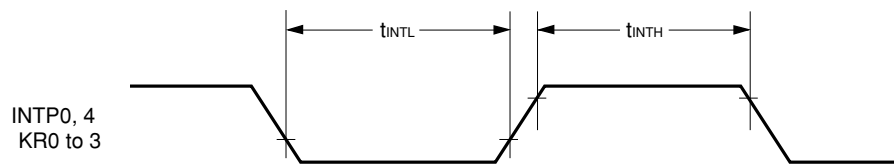
Bus release signal transfer



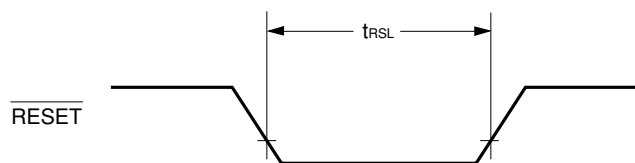
Command signal transfer



Interrupt input timing



RESET input timing



**DATA MEMORY STOP MODE LOW SUPPLY VOLTAGE DATA RETENTION CHARACTERISTICS**

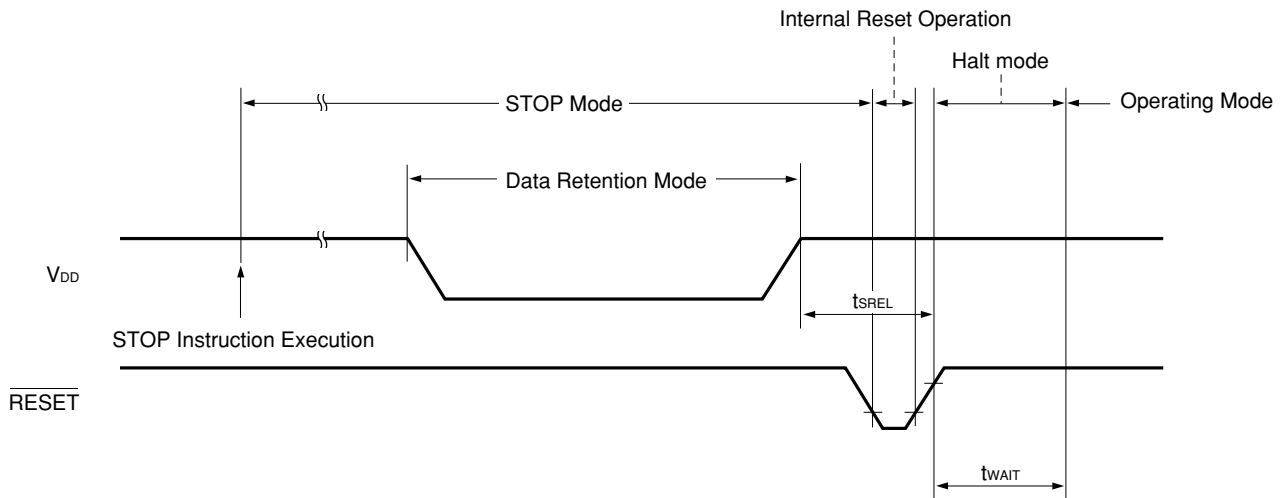
(T<sub>A</sub> = -40 to +85°C)

Parameter	Symbol	Test conditions	MIN.	TYP.	MAX.	Unit
Release signal set time	t <sub>SREL</sub>		0			μs
Oscillation stabilization wait time <sup>Note 1</sup>	t <sub>WAIT</sub>	Release by $\overline{\text{RESET}}$		<b>Note 2</b>		ms
		Release by interrupt		<b>Note 3</b>		ms

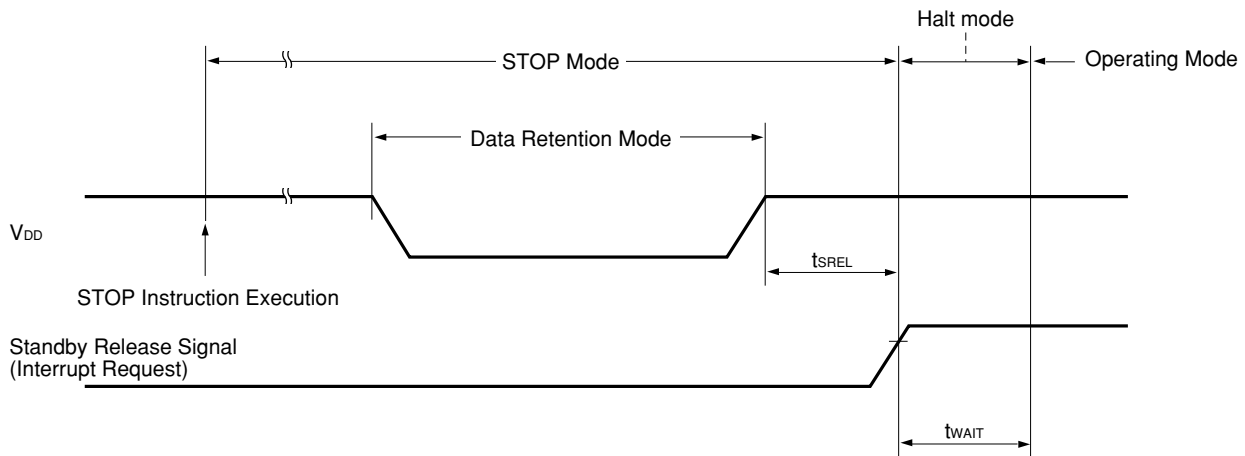
- Notes**
1. The oscillation stabilization wait time is the time during which the CPU operation is stopped to prevent unstable operation at the oscillation start.
  2. Either 2<sup>17</sup>/f<sub>x</sub> or 2<sup>15</sup>/f<sub>x</sub> can be selected by the mask option.
  3. Depends on the basic interval timer mode register (BTM) settings (See the table below).

BTM3	BTM2	BTM1	BTM0	Wait time	
				When f <sub>x</sub> = 4.19-MHz operation	When f <sub>x</sub> = 6.0-MHz operation
—	0	0	0	2 <sup>20</sup> /f <sub>x</sub> (approx. 250 ms)	2 <sup>20</sup> /f <sub>x</sub> (approx. 175 ms)
—	0	1	1	2 <sup>17</sup> /f <sub>x</sub> (approx. 31.3 ms)	2 <sup>17</sup> /f <sub>x</sub> (approx. 21.8 ms)
—	1	0	1	2 <sup>15</sup> /f <sub>x</sub> (approx. 7.81 ms)	2 <sup>15</sup> /f <sub>x</sub> (approx. 5.46 ms)
—	1	1	1	2 <sup>13</sup> /f <sub>x</sub> (approx. 1.95 ms)	2 <sup>13</sup> /f <sub>x</sub> (approx. 1.37 ms)

**Data Retention Timing (STOP Mode Release by  $\overline{\text{RESET}}$ )**

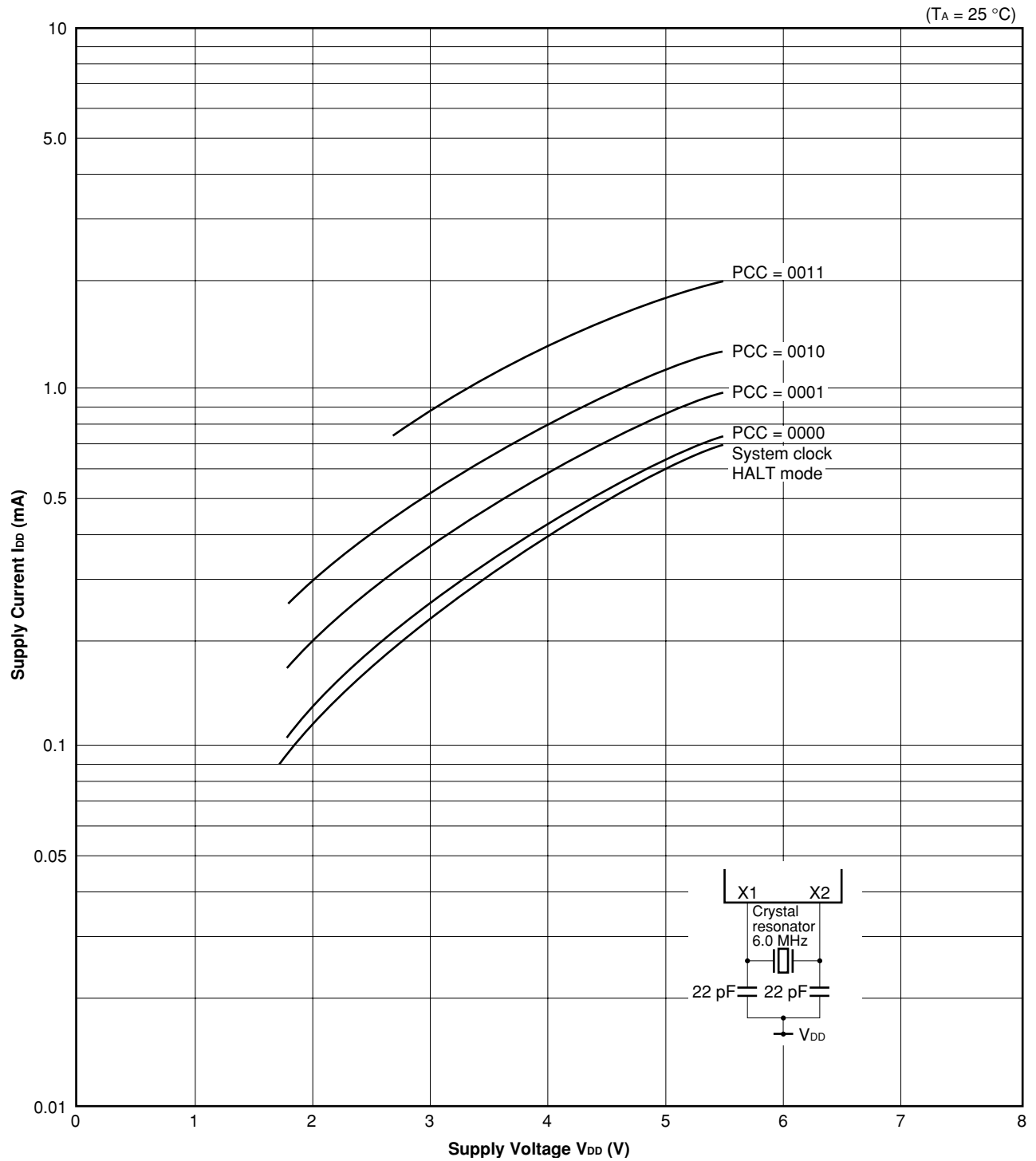


**Data Retention Timing (Standby Release Signal: STOP Mode Release by Interrupt Signal)**



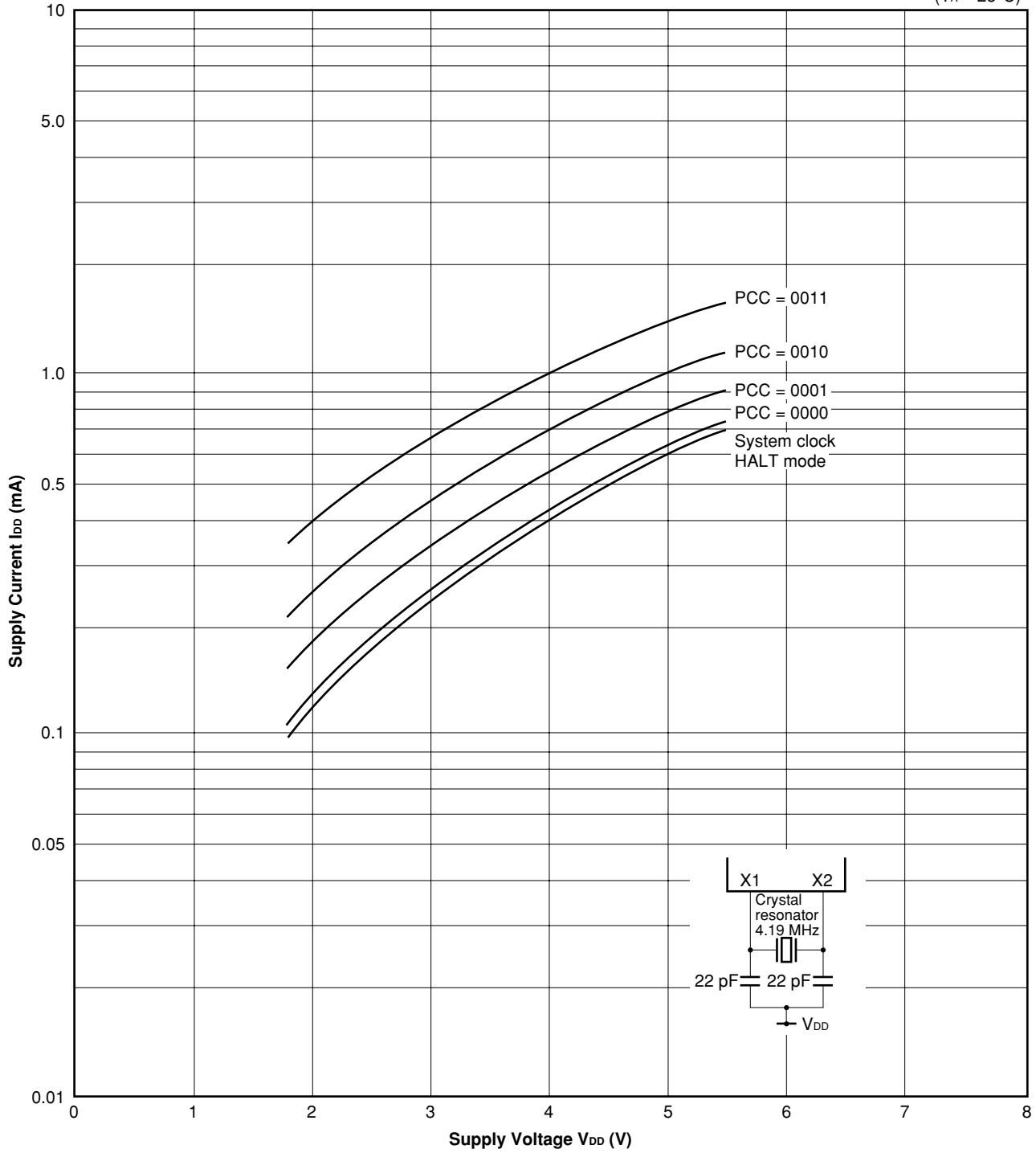
13. CHARACTERISTIC CURVES (REFERENCE VALUES)

I<sub>DD</sub> vs V<sub>DD</sub> (System Clock : 6.0-MHz Crystal Resonator)



I<sub>DD</sub> vs V<sub>DD</sub> (System Clock : 4.19-MHz Crystal Resonator)

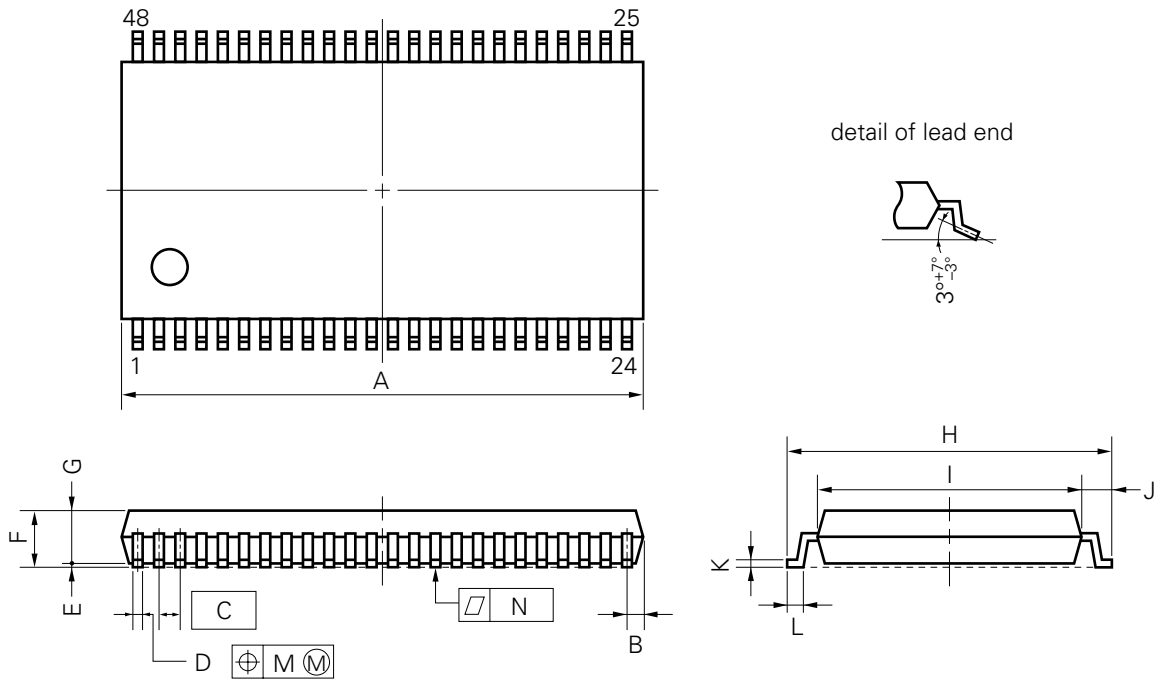
(T<sub>A</sub> = 25°C)





14. PACKAGE DRAWINGS

48 PIN PLASTIC SHRINK SOP (375 mil)



**NOTE**

Each lead centerline is located within 0.10 mm (0.004 inch) of its true position (T.P.) at maximum material condition.

P48GT-65-375B-1

ITEM	MILLIMETERS	INCHES
A	16.21 MAX.	0.639 MAX.
B	0.63 MAX.	0.025 MAX.
C	0.65 (T.P.)	0.026 (T.P.)
D	0.30±0.10	0.012 <sup>+0.004</sup> <sub>-0.005</sub>
E	0.125±0.075	0.005±0.003
F	2.0 MAX.	0.079 MAX.
G	1.7±0.1	0.067±0.004
H	10.0±0.3	0.394 <sup>+0.012</sup> <sub>-0.013</sub>
I	8.0±0.2	0.315±0.008
J	1.0±0.2	0.039 <sup>+0.009</sup> <sub>-0.008</sub>
K	0.15 <sup>+0.10</sup> <sub>-0.05</sub>	0.006 <sup>+0.004</sup> <sub>-0.002</sub>
L	0.5±0.2	0.020 <sup>+0.008</sup> <sub>-0.009</sub>
M	0.10	0.004
N	0.10	0.004

**15. RECOMMENDED SOLDERING CONDITIONS**

The μPD753204, μPD753206, and μPD753208 should be soldered and mounted under the following recommended conditions.

For technical information, see the following website.

Semiconductor Device Mount Manual (<http://www.necel.com/pkg/en/mount/index.html>)

**Table 15-1. Surface Mounting Type Soldering Conditions**

- (1) μPD753204GT-xxx: 48-pin plastic shrink SOP (375 mil, 0.65 mm pitch)
- μPD753206GT-xxx: 48-pin plastic shrink SOP (375 mil, 0.65 mm pitch)
- μPD753208GT-xxx: 48-pin plastic shrink SOP (375 mil, 0.65 mm pitch)

Soldering Method	Soldering Conditions	Recommended Condition Symbol
Infrared reflow	Package peak temperature: 235°C, Time: 30 seconds max. (at 210°C or higher), Count: Twice or less	IR35-00-2
VPS	Package peak temperature: 215°C, Time: 40 seconds max. (at 200°C or higher), Count: Twice or less	VP15-00-2
Wave soldering	Solder bath temperature: 260°C max., Time: 10 seconds max., Count: Once Preheating temperature: 120°C max. (package surface temperature)	WS60-00-1
Partial heating	Pin temperature: 350°C max., Time: 3 seconds max. (per pin row)	—

**Caution** Do not use different soldering methods together (except for partial heating).

**Remark** For soldering methods and conditions other than those recommended above, contact an NEC Electronics sales representative.

- ★ (2) μPD753204GT-xxx-A: 48-pin plastic shrink SOP (375 mil, 0.65 mm pitch)
- μPD753206GT-xxx-A: 48-pin plastic shrink SOP (375 mil, 0.65 mm pitch)
- μPD753208GT-xxx-A: 48-pin plastic shrink SOP (375 mil, 0.65 mm pitch)

Undefined

**Remark** Products with “-A” at the end of the part number are lead-free products.

APPENDIX A μPD753108, 753208, AND 75P3216 FUNCTIONAL LIST

Parameter		μPD753108	μPD753208	μPD75P3216
Program memory		Mask ROM 0000H-1FFFH (8192 × 8 bits)		One-time PROM 0000H-3FFFH (16384 × 8 bits)
Data memory		000H-1FFH (512 × 4 bits)		
CPU		75XL CPU		
Instruction execution time	When main system clock is selected	<ul style="list-style-type: none"> <li>• 0.95, 1.91, 3.81, 15.3 μs (@ 4.19-MHz operation)</li> <li>• 0.67, 1.33, 2.67, 10.7 μs (@ 6.0-MHz operation)</li> </ul>		
	When subsystem clock is selected	122 μs (@ 32.768-kHz operation)	None	
I/O port	CMOS input	8 (on-chip pull-up resistors can be specified by software: 7)	6 (on-chip pull-up resistors can be specified by software: 5)	
	CMOS input/output	20 (on-chip pull-up resistors can be specified by software)		
	N-ch open drain input/output	4 (on-chip pull-up resistors can be specified by software, withstand voltage is 13 V)	4 (no mask option, withstand voltage is 13 V)	
	Total	32	30	
LCD controller/driver		Segment selection: 16/20/24 (can be changed to CMOS input/output port in 4 time-unit; max. 8)	Segment selection: 4/8/12 segments (can be changed to CMOS input/output port in 4 time-unit; max. 8)	
		Display mode selection: static, 1/2 duty (1/2 bias), 1/3 duty (1/2 bias), 1/3 duty (1/3 bias), 1/4 duty (1/3 bias)		
		On-chip split resistor for LCD driver can be specified by using mask option.	No on-chip split resistor for LCD driver	
Timer		5 channels <ul style="list-style-type: none"> <li>• 8-bit timer/event counter: 3 channels</li> <li>• Basic interval timer/watchdog timer: 1 channel</li> <li>• Watch timer: 1 channel</li> </ul>	5 channels <ul style="list-style-type: none"> <li>• 8-bit timer counter: 2 channels (can be used as the 16-bit timer counter, carrier generator, and timer with gate)</li> <li>• 8-bit timer/event counter: 1 channel</li> <li>• Basic interval timer/watchdog timer: 1 channel</li> <li>• Watch timer: 1 channel</li> </ul>	
Clock output (PCL)		<ul style="list-style-type: none"> <li>• Φ, 524, 262, 65.5 kHz (Main system clock: @ 4.19-MHz operation)</li> <li>• Φ, 750, 375, 93.8 kHz (Main system clock: @ 6.0-MHz operation)</li> </ul>		
Buzzer output (BUZ)		<ul style="list-style-type: none"> <li>• 2, 4, 32 kHz (Main system clock: @ 4.19-MHz operation or sub-system clock: @ 32.768-kHz operation)</li> <li>• 2.86, 5.72, 45.8 kHz (Main system clock: @ 6.0-MHz operation)</li> </ul>	<ul style="list-style-type: none"> <li>• 2, 4, 32 kHz (Main system clock: @ 4.19-MHz operation)</li> <li>• 2.93, 5.86, 46.9 kHz (Main system clock: @ 6.0-MHz operation)</li> </ul>	
Serial interface		3 modes are available <ul style="list-style-type: none"> <li>• 3-wire serial I/O mode ... MSB/LSB can be selected for transfer top bit</li> <li>• 2-wire serial I/O mode</li> <li>• SBI mode</li> </ul>		
SCC register		Contained	None	
SOS register				
Vectored interrupt		External: 3, internal: 5	External: 2, internal: 5	

Parameter	μPD753108	μPD753208	μPD75P3216
Test input	External: 1, internal: 1		
Operation supply voltage	V <sub>DD</sub> = 1.8 to 5.5 V		
Operating ambient temperature	T <sub>A</sub> = -40 to +85°C		
Package	<ul style="list-style-type: none"> <li>• 64-pin plastic QFP (14 × 14 mm)</li> <li>• 64-pin plastic QFP (12 × 12 mm)</li> </ul>	<ul style="list-style-type: none"> <li>• 48-pin plastic shrink SOP (375 mils, 0.65-mm pitch)</li> </ul>	

**APPENDIX B DEVELOPMENT TOOLS**

The following development tools are provided for system development using the μPD753208.

In 75XL series, the relocatable assembler which is common to the μPD753208 Subseries is used in combination with the device file of each product.

**Language processor**

RA75X relocatable assembler	Host machine			Part number (product name)
	OS	Distribution media		
PC-9800 series	MS-DOS™ ( Ver. 3.30 to Ver. 6.2 <sup>Note</sup> )	3.5-inch 2HD	μS5A13RA75X	
		5-inch 2HD	μS5A10RA75X	
IBM PC/AT™ and compatible machines	Refer to <b>section</b> "OS for IBM PC"	3.5-inch 2HC	μS7B13RA75X	
		5-inch 2HC	μS7B10RA75X	

Device file	Host machine			Part number (product name)
	OS	Distribution media		
PC-9800 series	MS-DOS ( Ver. 3.30 to Ver. 6.2 <sup>Note</sup> )	3.5-inch 2HD	μS5A13DF753208	
		5-inch 2HD	μS5A10DF753208	
IBM PC/AT and compatible machines	Refer to <b>section</b> "OS for IBM PC"	3.5-inch 2HC	μS7B13DF753208	
		5-inch 2HC	μS7B10DF753208	

**PROM write tools**

Hardware	PG-1500	PG-1500 is a PROM programmer which enables you to program single chip microcomputers including PROM by stand-alone or host machine operation by connecting an attached board and optional programmer adapter to PG-1500. It also enables you to program typical PROM devices of 256 Kbits to 4 Mbits.			
	PA-75P3216GT	PROM programmer adapter for the μPD75P3216GT. Connect the programmer adapter to PG-1500 for use.			
Software	PG-1500 controller	PG-1500 and a host machine are connected by serial and parallel interfaces and PG-1500 is controlled on the host machine.			
		Host machine			Part number (product name)
		OS	Distribution media		
		PC-9800 series	MS-DOS ( Ver. 3.30 to Ver. 6.2 <sup>Note</sup> )	3.5-inch 2HD	μS5A13PG1500
				5-inch 2HD	μS5A10PG1500
IBM PC/AT and compatible machines	Refer to <b>section</b> "OS for IBM PC"	3.5-inch 2HD	μS7B13PG1500		
		5-inch 2HC	μS7B10PG1500		

**Note** Ver. 5.00 or later have the task swap function, but it cannot be used for this software.

**Remarks**

1. Operation of the assembler and device file is guaranteed only on the above host machine and OSs.
2. Operation of the PG-1500 controller is guaranteed only on the above host machine and OSs.

**Debugging tool**

The in-circuit emulators (IE-75000-R and IE-75001-R) are available as the program debugging tool for the μPD753208.

The system configurations are described as follows.

Hardware	IE-75000-R <sup>Note 1</sup>	In-circuit emulator for debugging the hardware and software when developing the application systems that use the 75X series and 75XL series. When developing a μPD753208 subseries, the emulation board IE-75300-R-EM and emulation probe EP-753208GT-R that are sold separately must be used with the IE-75000-R. By connecting with the host machine and the PROM programmer, efficient debugging can be made. It contains the emulation board IE-75000-R-EM which is connected.			
	IE-75001-R	In-circuit emulator for debugging the hardware and software when developing the application systems that use the 75X series and 75XL series. When developing a μPD753208 subseries, the emulation board IE-75300-R-EM and emulation probe EP-753208GT-R which are sold separately must be used with the IE-75001-R. It can debug the system efficiently by connecting the host machine and PROM programmer.			
	IE-75300-R-EM	Emulation board for evaluating the application systems that use a μPD753208 subseries. It must be used with the IE-75000-R or IE-75001-R.			
	EP-753208GT-R	Emulation probe for the μPD753208GT. It must be connected to the IE-75000-R (or IE-75001-R) and IE-75300-R-EM. It is supplied with the 48-pin conversion adapter EV-9500GF-48 which facilitates connection to a target system.			
	EV-9500GF-48				
Software	IE control program	Connects the IE-75000-R or IE-75001-R to a host machine via RS-232-C and Centronix I/F and controls the above hardware on a host machine.			
		Host machine		Part No. (product name)	
			OS	Distribution media	
		PC-9800 series	MS-DOS (Ver. 3.30 to Ver. 6.2 <sup>Note 2</sup> )	3.5-inch 2HD	μS5A13IE75X
				5-inch 2HD	μS5A10IE75X
IBM PC/AT and its compatible machine	Refer to <b>section "OS for IBM PC"</b>	3.5-inch 2HC	μS7B13IE75X		
		5-inch 2HC	μS7B10IE75X		

**Notes** 1. Maintenance parts.

2. Ver. 5.00 or later have the task swap function, but it cannot be used for this software.

**Remarks** 1. Operation of the IE control program is guaranteed only on the above host machines and OSs.

2. The μPD753204, 753206, 753208, and 75P3216 are commonly referred to as the μPD753208 Subseries.

**OS for IBM PC**

The following IBM PC OS's are supported.

OS	Version
PC DOS™	Ver. 5.02 to Ver. 6.3 J6.1/V <small>Note</small> to J6.3/V <small>Note</small>
MS-DOS	Ver. 5.0 to Ver. 6.22 5.0/V <small>Note</small> to 6.2/V <small>Note</small>
IBM DOS™	J5.02/V <small>Note</small>

**Note** English version is supported.

**Caution** Ver. 5.0 and later have the task swap function, but it cannot be used for this software.

**APPENDIX C RELATED DOCUMENTS**

The related documents indicated in this publication may include preliminary versions.  
However, preliminary versions are not marked as such.

**Documents related to device**

Document Name	Document No.	
	Japanese	English
μPD753204, 753206, 753208 Data Sheet	U10166J	This manual
μPD75P3216 Data Sheet	U10241J	U10241E
μPD753208 User's Manual	U10158J	U10158E
75XL Series Selection Guide	U10453J	U10453E

**Documents related to development tool**

Document Name		Document No.		
		Japanese	English	
Hardware	IE-75000-R/IE-75001-R User's Manual	EEU-846	EEU-1416	
	IE-75300-R-EM User's Manual	U11354J	U11354E	
	EP-753208GT-R User's Manual	U10739J	U10739E	
	PG-1500 User's Manual	U11940J	EEU-1335	
Software	RA75X Assembler Package User's Manual	Operation	EEU-731	EEU-1346
		Language	EEU-730	EEU-1363
	PG-1500 Controller User's Manual	PC-9800 Series (MS-DOS) Base	EEU-704	EEU-1291
		IBM PC Series (PC DOS) Base	EEU-5008	U10540E

**Other related documents**

Document Name	Document No.	
	Japanese	English
Semiconductor Device Package Manual	C10943X	
Semiconductor Device Mounting Technology Manual	C10535J	C10535E
Quality Grades on NEC Semiconductor Devices	C11531J	C11531E
NEC Semiconductor Device Reliability/Quality Control System	C10983J	C10983E
Electrostatic Discharge (ESD) Test	MEM-539	IEI-1201
Guide to Quality Assurance for Semiconductor Devices	C11893J	MEI-1202
Microcontroller – Related Product Guide – Third Party Products –	C11416J	–

**Caution** The contents of the documents listed above are subject to change without prior notice to users.  
Make sure to use the latest edition when starting design.



## NOTES FOR CMOS DEVICES

**① VOLTAGE APPLICATION WAVEFORM AT INPUT PIN**

Waveform distortion due to input noise or a reflected wave may cause malfunction. If the input of the CMOS device stays in the area between  $V_{IL}$  (MAX) and  $V_{IH}$  (MIN) due to noise, etc., the device may malfunction. Take care to prevent chattering noise from entering the device when the input level is fixed, and also in the transition period when the input level passes through the area between  $V_{IL}$  (MAX) and  $V_{IH}$  (MIN).

**② HANDLING OF UNUSED INPUT PINS**

Unconnected CMOS device inputs can be cause of malfunction. If an input pin is unconnected, it is possible that an internal input level may be generated due to noise, etc., causing malfunction. CMOS devices behave differently than Bipolar or NMOS devices. Input levels of CMOS devices must be fixed high or low by using pull-up or pull-down circuitry. Each unused pin should be connected to  $V_{DD}$  or GND via a resistor if there is a possibility that it will be an output pin. All handling related to unused pins must be judged separately for each device and according to related specifications governing the device.

**③ PRECAUTION AGAINST ESD**

A strong electric field, when exposed to a MOS device, can cause destruction of the gate oxide and ultimately degrade the device operation. Steps must be taken to stop generation of static electricity as much as possible, and quickly dissipate it when it has occurred. Environmental control must be adequate. When it is dry, a humidifier should be used. It is recommended to avoid using insulators that easily build up static electricity. Semiconductor devices must be stored and transported in an anti-static container, static shielding bag or conductive material. All test and measurement tools including work benches and floors should be grounded. The operator should be grounded using a wrist strap. Semiconductor devices must not be touched with bare hands. Similar precautions need to be taken for PW boards with mounted semiconductor devices.

**④ STATUS BEFORE INITIALIZATION**

Power-on does not necessarily define the initial status of a MOS device. Immediately after the power source is turned ON, devices with reset functions have not yet been initialized. Hence, power-on does not guarantee output pin levels, I/O settings or contents of registers. A device is not initialized until the reset signal is received. A reset operation must be executed immediately after power-on for devices with reset functions.

**⑤ POWER ON/OFF SEQUENCE**

In the case of a device that uses different power supplies for the internal operation and external interface, as a rule, switch on the external power supply after switching on the internal power supply. When switching the power supply off, as a rule, switch off the external power supply and then the internal power supply. Use of the reverse power on/off sequences may result in the application of an overvoltage to the internal elements of the device, causing malfunction and degradation of internal elements due to the passage of an abnormal current.

The correct power on/off sequence must be judged separately for each device and according to related specifications governing the device.

**⑥ INPUT OF SIGNAL DURING POWER OFF STATE**

Do not input signals or an I/O pull-up power supply while the device is not powered. The current injection that results from input of such a signal or I/O pull-up power supply may cause malfunction and the abnormal current that passes in the device at this time may cause degradation of internal elements. Input of signals during the power off state must be judged separately for each device and according to related specifications governing the device.

## Regional Information

Some information contained in this document may vary from country to country. Before using any NEC Electronics product in your application, please contact the NEC Electronics office in your country to obtain a list of authorized representatives and distributors. They will verify:

- Device availability
- Ordering information
- Product release schedule
- Availability of related technical literature
- Development environment specifications (for example, specifications for third-party tools and components, host computers, power plugs, AC supply voltages, and so forth)
- Network requirements

In addition, trademarks, registered trademarks, export restrictions, and other legal issues may also vary from country to country.

### [GLOBAL SUPPORT]

<http://www.necel.com/en/support/support.html>

**NEC Electronics America, Inc. (U.S.)**  
Santa Clara, California  
Tel: 408-588-6000  
800-366-9782

**NEC Electronics (Europe) GmbH**  
Duesseldorf, Germany  
Tel: 0211-65030

**NEC Electronics Hong Kong Ltd.**  
Hong Kong  
Tel: 2886-9318

- **Sucursal en España**  
Madrid, Spain  
Tel: 091-504 27 87

**NEC Electronics Hong Kong Ltd.**  
Seoul Branch  
Seoul, Korea  
Tel: 02-558-3737

- **Succursale Française**  
Vélizy-Villacoublay, France  
Tel: 01-30-67 58 00

**NEC Electronics Shanghai Ltd.**  
Shanghai, P.R. China  
Tel: 021-5888-5400

- **Filiale Italiana**  
Milano, Italy  
Tel: 02-66 75 41

**NEC Electronics Taiwan Ltd.**  
Taipei, Taiwan  
Tel: 02-2719-2377

- **Branch The Netherlands**  
Eindhoven, The Netherlands  
Tel: 040-265 40 10

**NEC Electronics Singapore Pte. Ltd.**  
Novena Square, Singapore  
Tel: 6253-8311

- **Tyskland Filial**  
Taebby, Sweden  
Tel: 08-63 87 200

- **United Kingdom Branch**  
Milton Keynes, UK  
Tel: 01908-691-133

**MS-DOS is a trademark of Microsoft Corporation.**

**IBM DOS, PC/AT, and PC DOS are trademarks of International Business Machines Corporation.**

These commodities, technology or software, must be exported in accordance with the export administration regulations of the exporting country.  
Diversion contrary to the law of that country is prohibited.

- **The information in this document is current as of August, 2005. The information is subject to change without notice. For actual design-in, refer to the latest publications of NEC Electronics data sheets or data books, etc., for the most up-to-date specifications of NEC Electronics products. Not all products and/or types are available in every country. Please check with an NEC Electronics sales representative for availability and additional information.**
- No part of this document may be copied or reproduced in any form or by any means without the prior written consent of NEC Electronics. NEC Electronics assumes no responsibility for any errors that may appear in this document.
- NEC Electronics does not assume any liability for infringement of patents, copyrights or other intellectual property rights of third parties by or arising from the use of NEC Electronics products listed in this document or any other liability arising from the use of such products. No license, express, implied or otherwise, is granted under any patents, copyrights or other intellectual property rights of NEC Electronics or others.
- Descriptions of circuits, software and other related information in this document are provided for illustrative purposes in semiconductor product operation and application examples. The incorporation of these circuits, software and information in the design of a customer's equipment shall be done under the full responsibility of the customer. NEC Electronics assumes no responsibility for any losses incurred by customers or third parties arising from the use of these circuits, software and information.
- While NEC Electronics endeavors to enhance the quality, reliability and safety of NEC Electronics products, customers agree and acknowledge that the possibility of defects thereof cannot be eliminated entirely. To minimize risks of damage to property or injury (including death) to persons arising from defects in NEC Electronics products, customers must incorporate sufficient safety measures in their design, such as redundancy, fire-containment and anti-failure features.
- NEC Electronics products are classified into the following three quality grades: "Standard", "Special" and "Specific".

The "Specific" quality grade applies only to NEC Electronics products developed based on a customer-designated "quality assurance program" for a specific application. The recommended applications of an NEC Electronics product depend on its quality grade, as indicated below. Customers must check the quality grade of each NEC Electronics product before using it in a particular application.

"Standard": Computers, office equipment, communications equipment, test and measurement equipment, audio and visual equipment, home electronic appliances, machine tools, personal electronic equipment and industrial robots.

"Special": Transportation equipment (automobiles, trains, ships, etc.), traffic control systems, anti-disaster systems, anti-crime systems, safety equipment and medical equipment (not specifically designed for life support).

"Specific": Aircraft, aerospace equipment, submersible repeaters, nuclear reactor control systems, life support systems and medical equipment for life support, etc.

The quality grade of NEC Electronics products is "Standard" unless otherwise expressly specified in NEC Electronics data sheets or data books, etc. If customers wish to use NEC Electronics products in applications not intended by NEC Electronics, they must contact an NEC Electronics sales representative in advance to determine NEC Electronics' willingness to support a given application.

(Note)

- (1) "NEC Electronics" as used in this statement means NEC Electronics Corporation and also includes its majority-owned subsidiaries.
- (2) "NEC Electronics products" means any product developed or manufactured by or for NEC Electronics (as defined above).