

To our customers,

---

## Old Company Name in Catalogs and Other Documents

---

On April 1<sup>st</sup>, 2010, NEC Electronics Corporation merged with Renesas Technology Corporation, and Renesas Electronics Corporation took over all the business of both companies. Therefore, although the old company name remains in this document, it is a valid Renesas Electronics document. We appreciate your understanding.

Renesas Electronics website: <http://www.renesas.com>

April 1<sup>st</sup>, 2010  
Renesas Electronics Corporation

Issued by: Renesas Electronics Corporation (<http://www.renesas.com>)

Send any inquiries to <http://www.renesas.com/inquiry>.

## Notice

1. All information included in this document is current as of the date this document is issued. Such information, however, is subject to change without any prior notice. Before purchasing or using any Renesas Electronics products listed herein, please confirm the latest product information with a Renesas Electronics sales office. Also, please pay regular and careful attention to additional and different information to be disclosed by Renesas Electronics such as that disclosed through our website.
2. Renesas Electronics does not assume any liability for infringement of patents, copyrights, or other intellectual property rights of third parties by or arising from the use of Renesas Electronics products or technical information described in this document. No license, express, implied or otherwise, is granted hereby under any patents, copyrights or other intellectual property rights of Renesas Electronics or others.
3. You should not alter, modify, copy, or otherwise misappropriate any Renesas Electronics product, whether in whole or in part.
4. Descriptions of circuits, software and other related information in this document are provided only to illustrate the operation of semiconductor products and application examples. You are fully responsible for the incorporation of these circuits, software, and information in the design of your equipment. Renesas Electronics assumes no responsibility for any losses incurred by you or third parties arising from the use of these circuits, software, or information.
5. When exporting the products or technology described in this document, you should comply with the applicable export control laws and regulations and follow the procedures required by such laws and regulations. You should not use Renesas Electronics products or the technology described in this document for any purpose relating to military applications or use by the military, including but not limited to the development of weapons of mass destruction. Renesas Electronics products and technology may not be used for or incorporated into any products or systems whose manufacture, use, or sale is prohibited under any applicable domestic or foreign laws or regulations.
6. Renesas Electronics has used reasonable care in preparing the information included in this document, but Renesas Electronics does not warrant that such information is error free. Renesas Electronics assumes no liability whatsoever for any damages incurred by you resulting from errors in or omissions from the information included herein.
7. Renesas Electronics products are classified according to the following three quality grades: “Standard”, “High Quality”, and “Specific”. The recommended applications for each Renesas Electronics product depends on the product’s quality grade, as indicated below. You must check the quality grade of each Renesas Electronics product before using it in a particular application. You may not use any Renesas Electronics product for any application categorized as “Specific” without the prior written consent of Renesas Electronics. Further, you may not use any Renesas Electronics product for any application for which it is not intended without the prior written consent of Renesas Electronics. Renesas Electronics shall not be in any way liable for any damages or losses incurred by you or third parties arising from the use of any Renesas Electronics product for an application categorized as “Specific” or for which the product is not intended where you have failed to obtain the prior written consent of Renesas Electronics. The quality grade of each Renesas Electronics product is “Standard” unless otherwise expressly specified in a Renesas Electronics data sheets or data books, etc.
  - “Standard”: Computers; office equipment; communications equipment; test and measurement equipment; audio and visual equipment; home electronic appliances; machine tools; personal electronic equipment; and industrial robots.
  - “High Quality”: Transportation equipment (automobiles, trains, ships, etc.); traffic control systems; anti-disaster systems; anti-crime systems; safety equipment; and medical equipment not specifically designed for life support.
  - “Specific”: Aircraft; aerospace equipment; submersible repeaters; nuclear reactor control systems; medical equipment or systems for life support (e.g. artificial life support devices or systems), surgical implantations, or healthcare intervention (e.g. excision, etc.), and any other applications or purposes that pose a direct threat to human life.
8. You should use the Renesas Electronics products described in this document within the range specified by Renesas Electronics, especially with respect to the maximum rating, operating supply voltage range, movement power voltage range, heat radiation characteristics, installation and other product characteristics. Renesas Electronics shall have no liability for malfunctions or damages arising out of the use of Renesas Electronics products beyond such specified ranges.
9. Although Renesas Electronics endeavors to improve the quality and reliability of its products, semiconductor products have specific characteristics such as the occurrence of failure at a certain rate and malfunctions under certain use conditions. Further, Renesas Electronics products are not subject to radiation resistance design. Please be sure to implement safety measures to guard them against the possibility of physical injury, and injury or damage caused by fire in the event of the failure of a Renesas Electronics product, such as safety design for hardware and software including but not limited to redundancy, fire control and malfunction prevention, appropriate treatment for aging degradation or any other appropriate measures. Because the evaluation of microcomputer software alone is very difficult, please evaluate the safety of the final products or system manufactured by you.
10. Please contact a Renesas Electronics sales office for details as to environmental matters such as the environmental compatibility of each Renesas Electronics product. Please use Renesas Electronics products in compliance with all applicable laws and regulations that regulate the inclusion or use of controlled substances, including without limitation, the EU RoHS Directive. Renesas Electronics assumes no liability for damages or losses occurring as a result of your noncompliance with applicable laws and regulations.
11. This document may not be reproduced or duplicated, in any form, in whole or in part, without prior written consent of Renesas Electronics.
12. Please contact a Renesas Electronics sales office if you have any questions regarding the information contained in this document or Renesas Electronics products, or if you have any other inquiries.

(Note 1) “Renesas Electronics” as used in this document means Renesas Electronics Corporation and also includes its majority-owned subsidiaries.

(Note 2) “Renesas Electronics product(s)” means any product developed or manufactured by or for Renesas Electronics.

# $\mu$ PD75104, 75106, 75108

## 4-BIT SINGLE-CHIP MICROCOMPUTER

**Phase-out/Discontinued**

### DESCRIPTION

$\mu$ PD75108 is a 4-bit single-chip microcomputer integrating timer/event counters, serial interface, and vector interrupt function, in addition to a CPU, ROM, RAM, and I/O ports, on a single chip. Operating at high speeds, the microcomputer allows data to be manipulated in units of 1, 4, or 8 bits. In addition, various bit manipulation instructions are provided to reinforce I/O manipulation capability. Equipped with I/Os for interfacing with peripheral circuits operating on a different supply voltage, outputs that can directly drive LEDs, and analog inputs,  $\mu$ PD75108 is suitable for controlling such systems as VTRs, acoustic products, button telephones, radio communications equipment, and printers. A pin-compatible EPROM model is also available for evaluation of system development and small-scale production of application systems.

*Detailed functions are described in the following user's manual. Be sure to read it for designing.*

*$\mu$ PD751XX Series User's Manual: IEM-922*

### FEATURES

- Internal memory
  - Program memory (ROM)
    - : 8068  $\times$  8 bits ( $\mu$ PD75108)
    - : 6016  $\times$  8 bits ( $\mu$ PD75106)
    - : 4096  $\times$  8 bits ( $\mu$ PD75104)
  - Data memory (RAM)
    - : 512  $\times$  4 bits ( $\mu$ PD75108)
    - : 320  $\times$  4 bits ( $\mu$ PD75106, 75104)
- New architecture "75X series" rivaling 8-bit microcomputers
- 43 systematically organized instructions
  - A wealth of bit manipulation instructions
  - 8-bit data transfer, compare, operation, increment, and decrement instructions
  - 1-byte relative branch instructions
  - GETI instruction executing 2-/3-byte instruction with one byte
- High speed. Minimum instruction execution time: 0.95  $\mu$ s (at 4.19 MHz), 5 V
- Power-saving, instruction time change function: 0.95  $\mu$ s/1.91  $\mu$ s/15.3  $\mu$ s (at 4.19 MHz)
- I/O port pins as many as 58
- Three channels of 8-bit timers
- 8-bit serial interface
- Multiplexed vector interrupt function
- Model with PROM is available:  $\mu$ PD75P108B (One-time PROM, EPROM)

Unless there are differences among  $\mu$ PD75104, 75106, and 75108 functions,  $\mu$ PD75108 is treated as the representative model throughout this manual.

The information in this document is subject to change without notice.

**ORDERING INFORMATION**

Part Number	Package	Quality Grade
$\mu$ PD75104CW-xxx	64-pin plastic shrink DIP (750 mil)	Standard
$\mu$ PD75104GF-xxx-3BE	64-pin plastic QFP (14 × 20 mm)	Standard
$\mu$ PD75106CW-xxx	64-pin plastic shrink DIP (750 mil)	Standard
$\mu$ PD75106GF-xxx-3BE	64-pin plastic QFP (14 × 20 mm)	Standard
$\mu$ PD75108CW-xxx	64-pin plastic shrink DIP (750 mil)	Standard
$\mu$ PD75108GF-xxx-3BE	64-pin plastic QFP (14 × 20 mm)	Standard

**Remarks:** xxx is ROM code number.

Please refer to "Quality Grade on NEC Semiconductor Devices" (Document Number IEI-1209) published by NEC Corporation to know the specification of quality grade on the devices and its recommended applications.

## FUNCTIONAL OUTLINE

Item		Specifications
Number of Basic Instructions		43
Minimum Instruction Execution Time		Changeable in three steps: 0.95 $\mu$ s, 1.91 $\mu$ s, and 15.3 $\mu$ s at 4.19 MHz
Internal Memory	ROM	8064 $\times$ 8 bits ( $\mu$ PD75108), 6016 $\times$ 8 bits ( $\mu$ PD75106), 4096 $\times$ 8 bits ( $\mu$ PD75104)
	RAM	512 $\times$ 4 bits ( $\mu$ PD75108), 320 $\times$ 4 bits ( $\mu$ PD75106, 75104)
General-Purpose Register		4 bits $\times$ 8 $\times$ 4 banks (memory mapped)
Accumulator		Three accumulators selectable according to the bit length of manipulated data: <ul style="list-style-type: none"> <li>• 1-bit accumulator (CY), 4-bit accumulator (A), and 8-bit accumulator (XA)</li> </ul>
I/O Port		58 port pins <ul style="list-style-type: none"> <li>• CMOS input pins: 10</li> <li>• CMOS I/O pins (can directly drive LEDs): 32</li> <li>• Medium voltage N-ch open-drain I/O pins: 12 (can directly drive LEDs. Pull-up resistor can be connected to each bit)</li> <li>• Comparator input pins (4-bit accuracy): 4</li> </ul>
Timer/Counter		<ul style="list-style-type: none"> <li>• 8-bit timer/event counter <math>\times</math> 2</li> <li>• 8-bit basic interval timer (can be used as watchdog timer)</li> </ul>
Serial Interface		<ul style="list-style-type: none"> <li>• 8 bits</li> <li>• LSB first/MSB first mode selectable</li> <li>• Two transfer modes (transfer/reception and reception only modes)</li> </ul>
Vector Interrupt		External: 3, Internal: 4
Test Input		External: 2
Standby		<ul style="list-style-type: none"> <li>• STOP and HALT modes</li> </ul>
Instruction Set		<ul style="list-style-type: none"> <li>• Various bit manipulation instructions (set, reset, test, Boolean operation)</li> <li>• 8-bit data transfer, compare, operation, increment, and decrement</li> <li>• 1-byte relative branch instructions</li> <li>• GETI instruction constituting 2 or 3-byte instruction with 1 byte</li> </ul>
Others		<ul style="list-style-type: none"> <li>• Power-ON reset circuit (mask option)</li> <li>• Bit manipulation memory (bit sequential buffer: 16 bits)</li> </ul>
Package		<ul style="list-style-type: none"> <li>• 64-pin plastic shrink DIP (750 mil)</li> <li>• 64-pin plastic QFP (14 <math>\times</math> 20 mm)</li> </ul>

## CONTENTS

1. PIN CONFIGURATION (TOP VIEW) .....	6
2. BLOCK DIAGRAM .....	8
3. PIN FUNCTIONS .....	9
3.1 PORT PINS .....	9
3.2 PINS OTHER THAN PORTS .....	10
3.3 PIN INPUT/OUTPUT CIRCUITS .....	11
3.4 RECOMMENDED PROCESSING OF UNUSED PINS .....	12
3.5 NOTES ON USING THE P00/INT4, AND $\overline{\text{RESET}}$ PINS .....	13
4. MEMORY CONFIGURATION .....	14
5. PERIPHERAL HARDWARE FUNCTIONS .....	20
5.1 PORTS .....	20
5.2 CLOCK GENERATOR CIRCUIT .....	21
5.3 CLOCK OUTPUT CIRCUIT .....	22
5.4 BASIC INTERVAL TIMER .....	23
5.5 TIMER/EVENT COUNTER .....	23
5.6 SERIAL INTERFACE .....	25
5.7 PROGRAMMABLE THRESHOLD PORT (ANALOG INPUT PORT) .....	27
5.8 BIT SEQUENTIAL BUFFER ... 16 BITS .....	28
5.9 POWER-ON FLAG (MASK OPTION) .....	28
6. INTERRUPT FUNCTIONS .....	28
7. STANDBY FUNCTIONS .....	30
8. RESET FUNCTION .....	31
9. INSTRUCTION SET .....	34

**10. APPLICATION EXAMPLES** ..... 43

    10.1 VTR SYSTEM CONTROLLER ..... 43

    10.2 VTR CAMERA ..... 43

    10.3 COMPACT DISC PLAYER ..... 44

    10.4 AUTOMOBILE APPLICATIONS (TRIP COMPUTER) ..... 44

    10.5 PUSHBUTTON TELEPHONE ..... 45

    10.6 DISPLAY PAGER ..... 45

    10.7 PLAIN PAPER COPIER (PPC) ..... 46

    10.8 PRINTER CONTROLLER ..... 46

**11. MASK OPTION SELECTION** ..... 47

**12. ELECTRICAL SPECIFICATIONS** ..... 48

**13. CHARACTERISTIC DATA** ..... 57

**14. PACKAGE DRAWINGS** ..... 62

**15. RECOMMENDED SOLDERING CONDITIONS** ..... 65

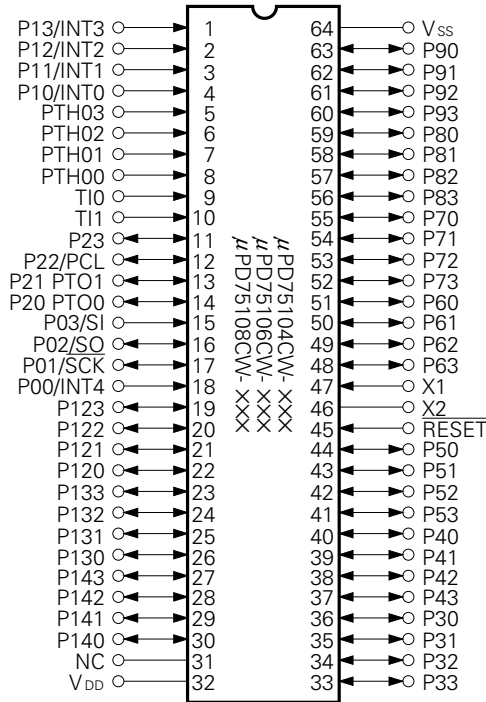
**APPENDIX A. FUNCTIONAL DIFFERENCES AMONG PRODUCTS IN μPD751XX SERIES** ..... 66

**APPENDIX B. DEVELOPMENT TOOLS** ..... 67

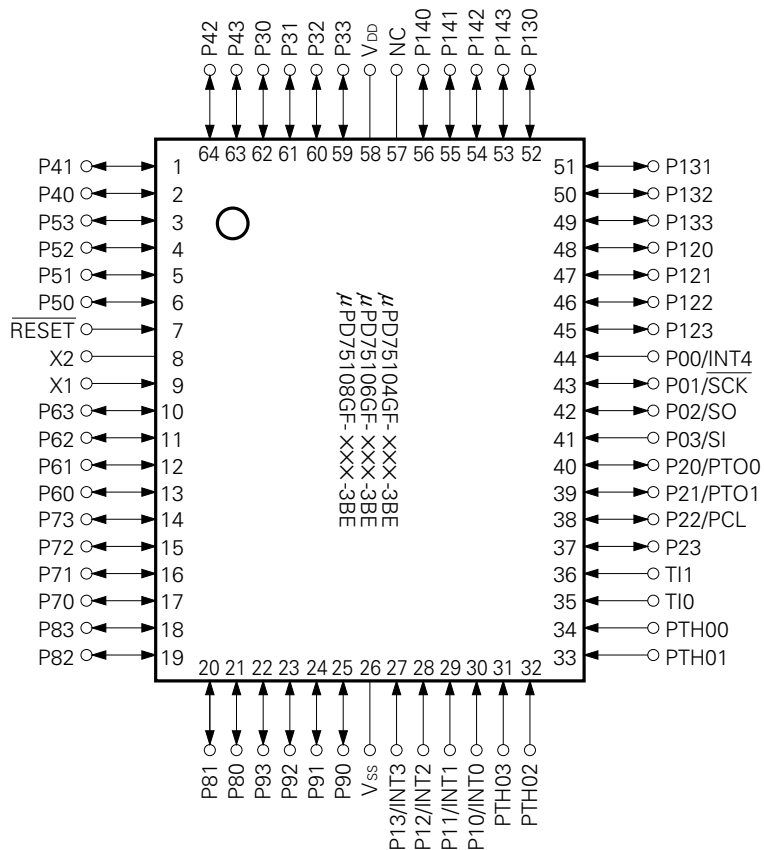
**APPENDIX C. RELATED DOCUMENTS** ..... 68

**1. PIN CONFIGURATION (Top View)**

- 64-Pin Plastic Shrink DIP (750 mil)



- 64-Pin Plastic QFP (14 × 20 mm)

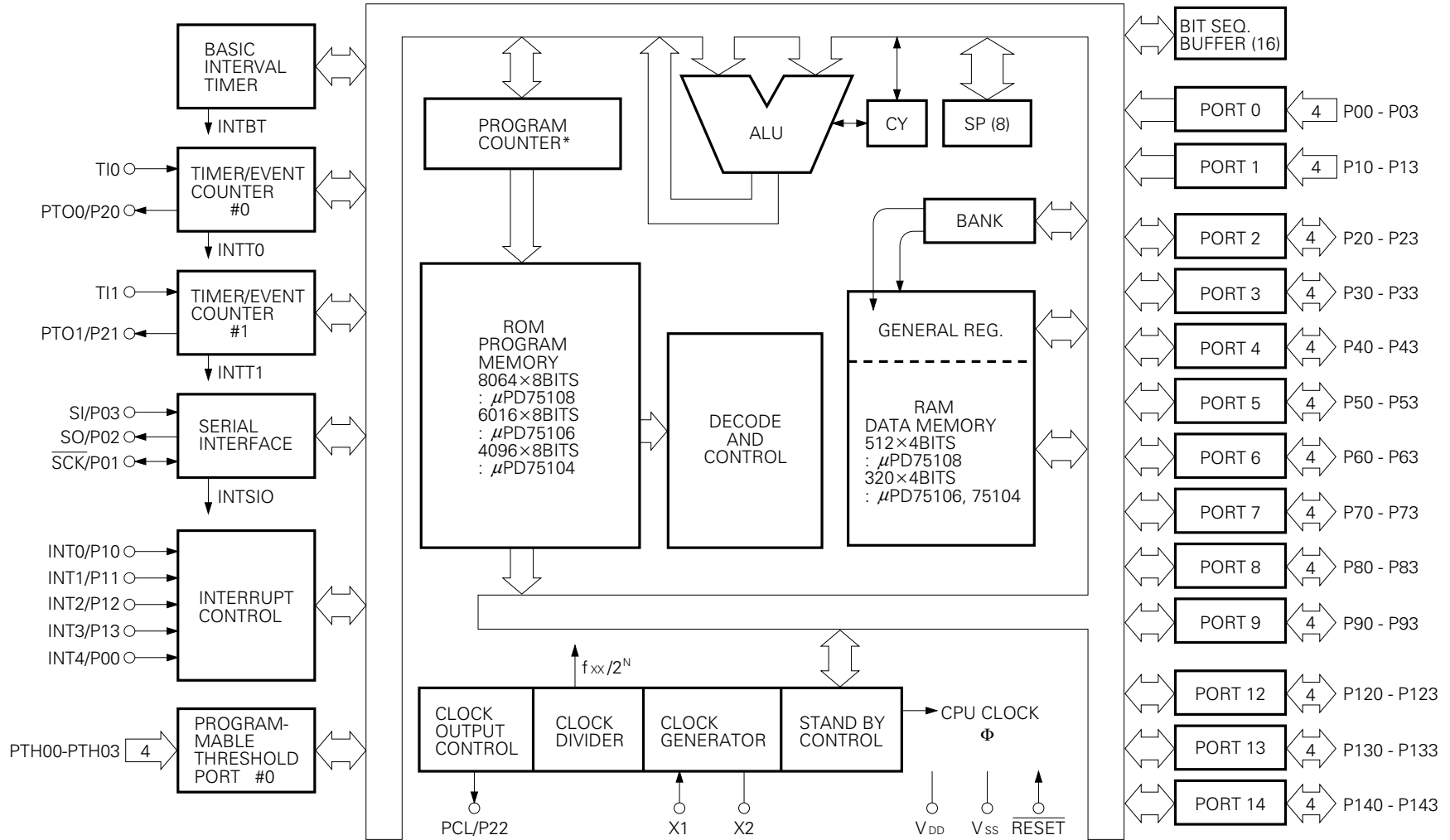




**Pin names**

P00-P03	: Port 0	$\overline{\text{SCK}}$	: Serial Clock Input/Output
P10-P13	: Port 1	SO	: Serial Output
P20-P23	: Port 2	SI	: Serial Input
P30-P33	: Port 3	PTO0, PTO1	: Timer Output
P40-P43	: Port 4	PCL	: Clock Output
P50-P53	: Port 5	PTH00-PTH03	: Comparator Input
P60-P63	: Port 6	INT0, INT1, INT4	: External Vector Interrupt Input
P70-P73	: Port 7	INT2, INT3	: External Test Input
P80-P83	: Port 8	TI0, TI1	: Timer Input
P90-P93	: Port 9	X1, X2	: Clock Oscillation Pin
P120-P123	: Port 12	$\overline{\text{RESET}}$	: Reset Input
P130-P133	: Port 13	NC	: No Connection
P140-P143	: Port 14		

**2. BLOCK DIAGRAM**



\*: 13 bits: μPD75106, 75108  
12 bits: μPD75104

**3. PIN FUNCTIONS**

**3.1 PORT PINS**

Pin Name	I/O	Shared with:	Function	8-Bit I/O	At Reset	I/O Circuit TYPE*1
P00	Input	INT4	4-bit input port (PORT 0)	x	Input	B
P01	I/O	SCK				F
P02	I/O	SO				E
P03	Input	SI				B
P10	Input	INT0	4-bit input port (PORT 1)	x	Input	B
P11		INT1				
P12		INT2				
P13		INT3				
P20*3	I/O	PTO0	4-bit I/O port (PORT 2)	x	Input	E
P21*3		PTO1				
P22*3		PCL				
P23*3		—				
P30-P33*3	I/O	—	4-bit programmable I/O port (PORT 3) Can be specified for input or output bitwise.	o	Input	E
P40-P43*3	I/O	—	4-bit I/O port (PORT 4)	o	Input	E
P50-P53*3	I/O	—	4-bit I/O port (PORT 5)		Input	E
P60-P63*3	I/O	—	4-bit programmable I/O port (PORT 6) Can be specified for input or output bitwise.	o	Input	E
P70-P73*3	I/O	—	4-bit I/O port (PORT 7)		Input	E
P80-P83*3	I/O	—	4-bit I/O port (PORT 8)	o	Input	E
P90-P93*3	I/O	—	4-bit I/O port (PORT 9)		Input	E
P120-P123*3	I/O	—	4-bit N-ch open-drain I/O port (PORT 12) Built-in pull-up resistors can be specified in bit units by mask option. Open-drain withstanding voltage: 12 V	o	Input*2	M
P130-P133*3	I/O	—	4-bit N-ch open-drain I/O port (PORT 13) Built-in pull-up resistors can be specified in bit units by mask option. Open-drain withstanding voltage: 12 V		Input*2	M
P140-P143*3	I/O	—	4-bit N-ch open-drain I/O port (PORT 14) Built-in pull-up resistors can be specified in bit units by mask option. Open-drain withstanding voltage: 12 V	—	Input*2	M

\*1: Circles indicate Schmitt trigger input pins.

2: With drain open: high impedance  
With pull-up resistor connected: high level

3: Can directly drive LEDs.

## 3.2 PINS OTHER THAN PORTS

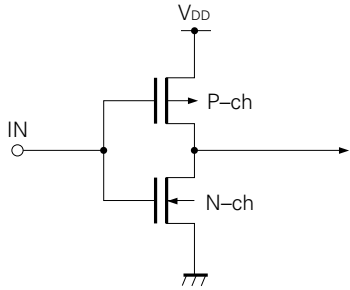
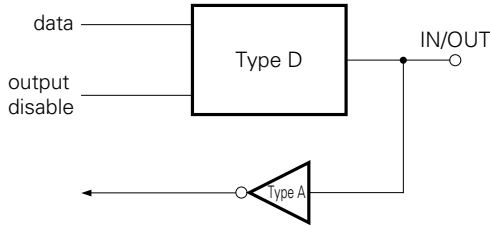
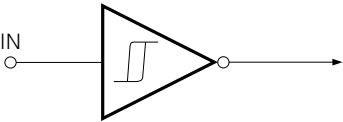
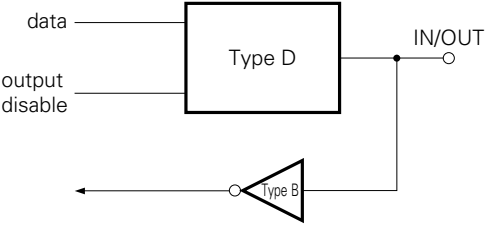
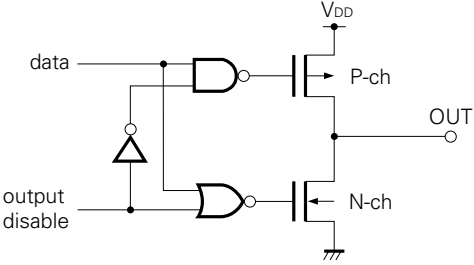
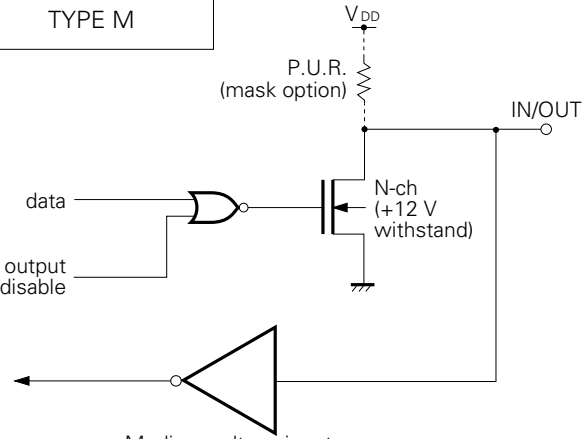
Pin Name	I/O	Shared with:	Function	At Reset	I/O Circuit TYPE*1
PTH00-PTH03	Input	—	4-bit variable threshold voltage analog input port	—	N
T10	Input	—	External event pulse inputs for timer/event counter.	—	B
T11			Also serves as edge-detected vector interrupt input. 1-bit input also possible.		
PTO0	I/O	P20	Outputs for timer/event counter	Input	E
PTO1		P21			
$\overline{\text{SCK}}$	I/O	P01	Serial clock I/O	Input	F
SO	I/O	P02	Serial data output	Input	E
SI	Input	P03	Serial data input	Input	B
INT4	Input	P00	Edge-detected vectored interrupt input (both rising and falling edges detected)	Input	B
INT0	Input	P10	Edge-detected vectored interrupt inputs (valid edge selectable)	Input	B
INT1		P11			
INT2	Input	P12	Edge-detected testable inputs (rising edge detected)	Input	B
INT3		P13			
PCL	I/O	P22	Clock output	Input	E
X1, X2	—	—	Crystal/ceramic system clock oscillator connections. Input external clock to X1, and signal in reverse phase with X1 to X2.	—	—
$\overline{\text{RESET}}$	Input	—	System reset input (low level active type)	—	B
NC*2	—	—	No Connection	—	—
V <sub>DD</sub>	—	—	Positive power supply	—	—
V <sub>SS</sub>	—	—	GND	—	—

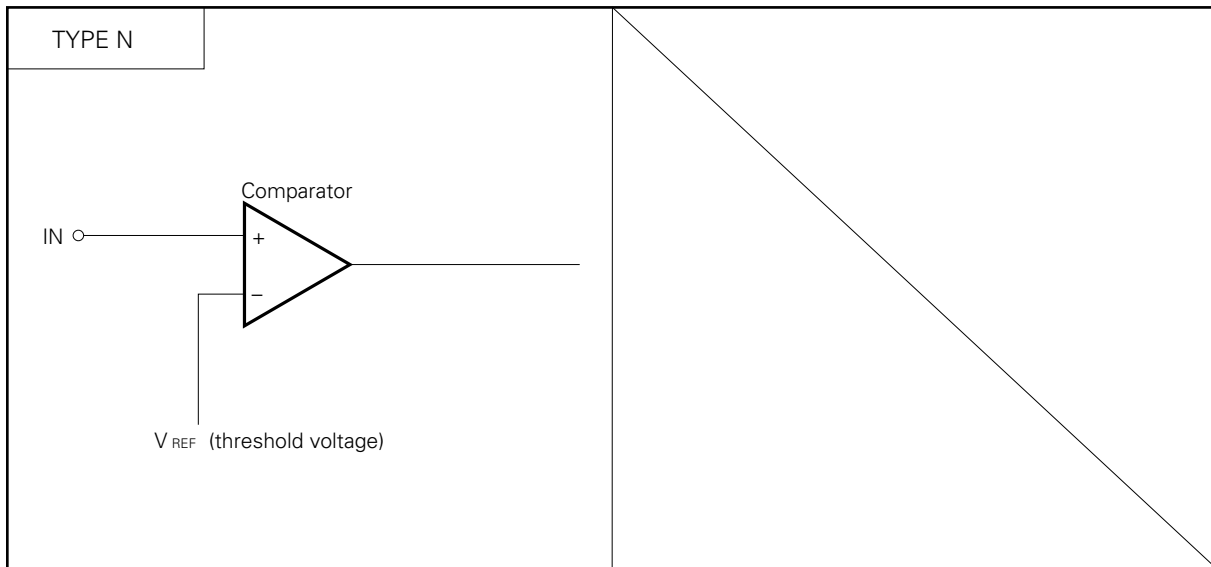
\*1: Circles indicate Schmitt trigger input pins.

2: Connect the NC pin directly to the V<sub>DD</sub> pin when  $\mu$ PD75P108B and a printed circuit board are shared.

**3.3 PIN INPUT/OUTPUT CIRCUITS**

The following shows a simplified input/output circuit diagram for each pin of the  $\mu$ PD75108.

<p><b>TYPE A</b></p>  <p>Input buffer of CMOS standard</p>	<p><b>TYPE E</b></p>  <p>I/O circuit consisting of Type D push-pull output circuit and Type A input buffer</p>
<p><b>TYPE B</b></p>  <p>Schmitt trigger input with hysteresis characteristics</p>	<p><b>TYPE F</b></p>  <p>I/O circuit consisting of Type D push-pull output and Type B Schmitt trigger input</p>
<p><b>TYPE D</b></p>  <p>Push-pull output that can be set in a output high-impedance state (both P-ch and N-ch are off)</p>	<p><b>TYPE M</b></p>  <p>Medium-voltage input buffer (+12 V withstand) P.U.R.: Pull-Up Resistor</p>



**3.4 RECOMMENDED PROCESSING OF UNUSED PINS**

Pin	Recommended connections
PTH00-PTH03 TI0 TI1	Connect to V <sub>SS</sub> or V <sub>DD</sub>
P00	Connect to V <sub>SS</sub>
P01-P03	Connect to V <sub>SS</sub> or V <sub>DD</sub>
P10-P13	Connect to V <sub>SS</sub>
P20-P23 P30-P33 P40-P43 P50-P53 P60-P63 P70-P73 P80-P83 P90-P93 P120-P123 P130-P133 P140-P143	Input: Connect to V <sub>SS</sub> or V <sub>DD</sub>  Output: Open
$\overline{\text{RESET}}^{*1}$	Connect to V <sub>DD</sub>
NC <sup>*2</sup>	Open

\*1: Connect this pin to the V<sub>DD</sub> pin only when a power-ON reset circuit is provided as a mask option.

\*2: Connect the NC pin to the V<sub>DD</sub> pin when  $\mu$ PD75P108 and a printed circuit board are shared.

### 3.5 NOTES ON USING THE P00/INT4, AND $\overline{\text{RESET}}$ PINS

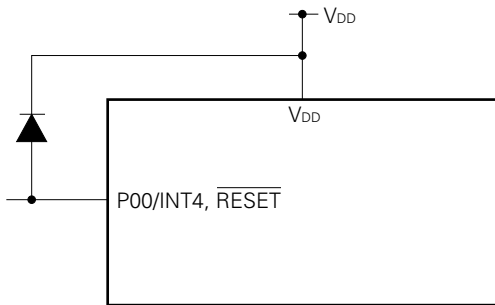
In addition to the functions described in Sections 3.1 and 3.2, an exclusive function for setting the test mode, in which the internal functions of the  $\mu$ PD75108 are tested (solely used for IC tests), is provided to the P00/INT4 and  $\overline{\text{RESET}}$  pins.

If a voltage exceeding  $V_{DD}$  is applied to either of these pins, the  $\mu$ PD75108 is put into test mode. Therefore, even when the  $\mu$ PD75108 is in normal operation, if noise exceeding the  $V_{DD}$  is input into any of these pins, the  $\mu$ PD75108 will enter the test mode, and this will cause problems for normal operation.

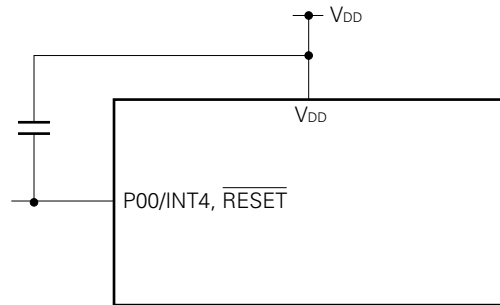
As an example, if the wiring to the P00/INT4 pin or the  $\overline{\text{RESET}}$  pin is long, stray noise may be picked up and the above mentioned problem may occur.

Therefore, all wiring to these pins must be made short enough to not pick up stray noise. If noise cannot be avoided, suppress the noise using a capacitor or diode as shown in the figure below.

- Connect a diode across P00/INT4 and  $\overline{\text{RESET}}$ , and  $V_{DD}$ .



- Connect a capacitor across P00/INT4 and  $\overline{\text{RESET}}$ , and  $V_{DD}$ .

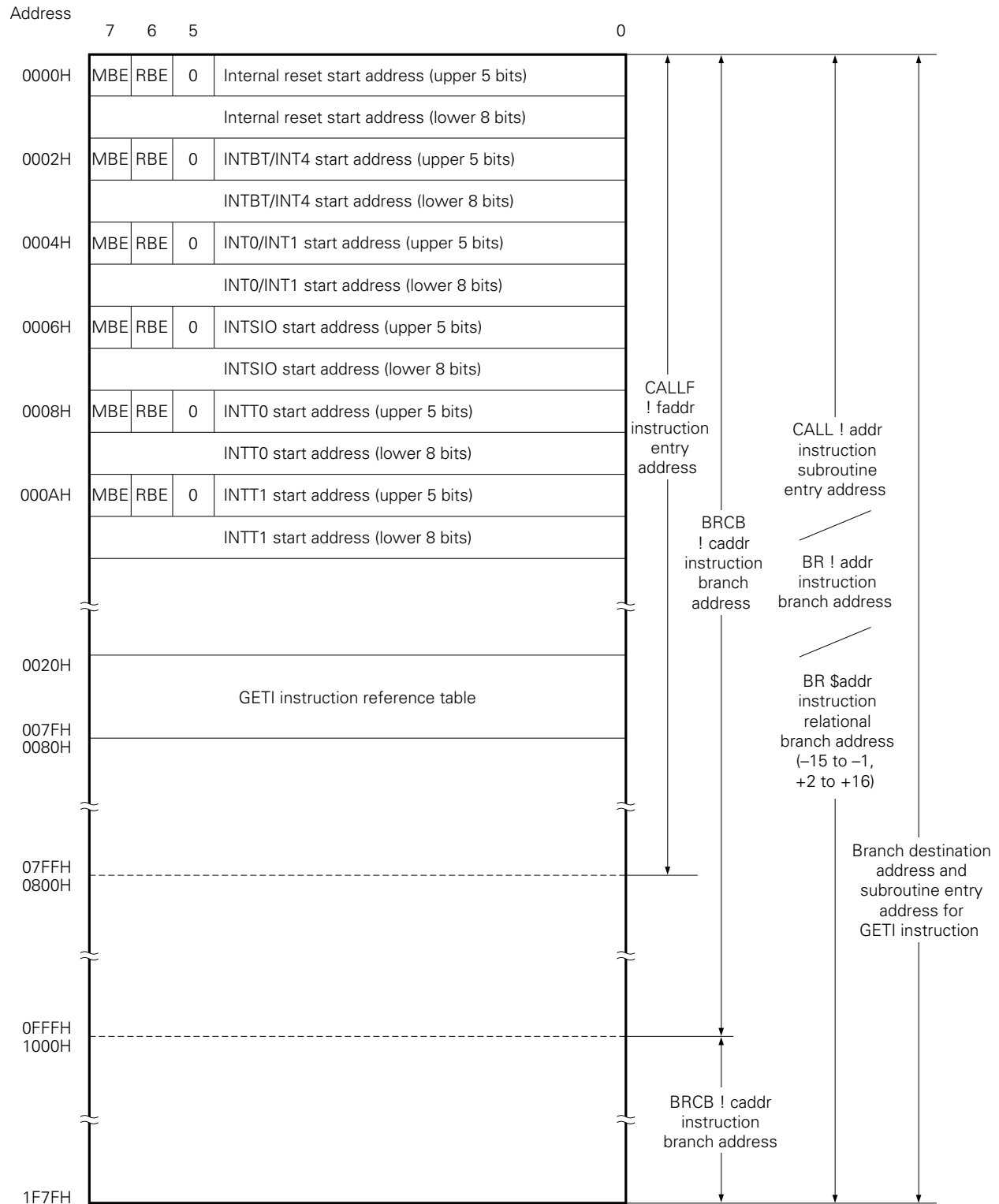


#### 4. MEMORY CONFIGURATION

- Program memory (ROM) ... 8064  $\times$  8 bits (0000H-1F7FH) :  $\mu$ PD75108
  - ... 6016  $\times$  8 bits (0000H-177FH) :  $\mu$ PD75106
  - ... 4096  $\times$  8 bits (0000H-0FFFH) :  $\mu$ PD75104
- 0000H, 0001H : Vector table to which address from which program is started is written after reset
- 0002H-000BH: Vector table to which address from which program is started is written after interrupt
- 0020H-007FH: Table area referenced by GETI instruction
  
- Data memory (RAM)
  - Data area ....512  $\times$  4 bits (000H-1FFH):  $\mu$ PD75108
  - 320  $\times$  4 bits (000H-13FH) :  $\mu$ PD75106, 75104
  - Peripheral hardware area .... 128  $\times$  4 bits (F80H-FFFH)



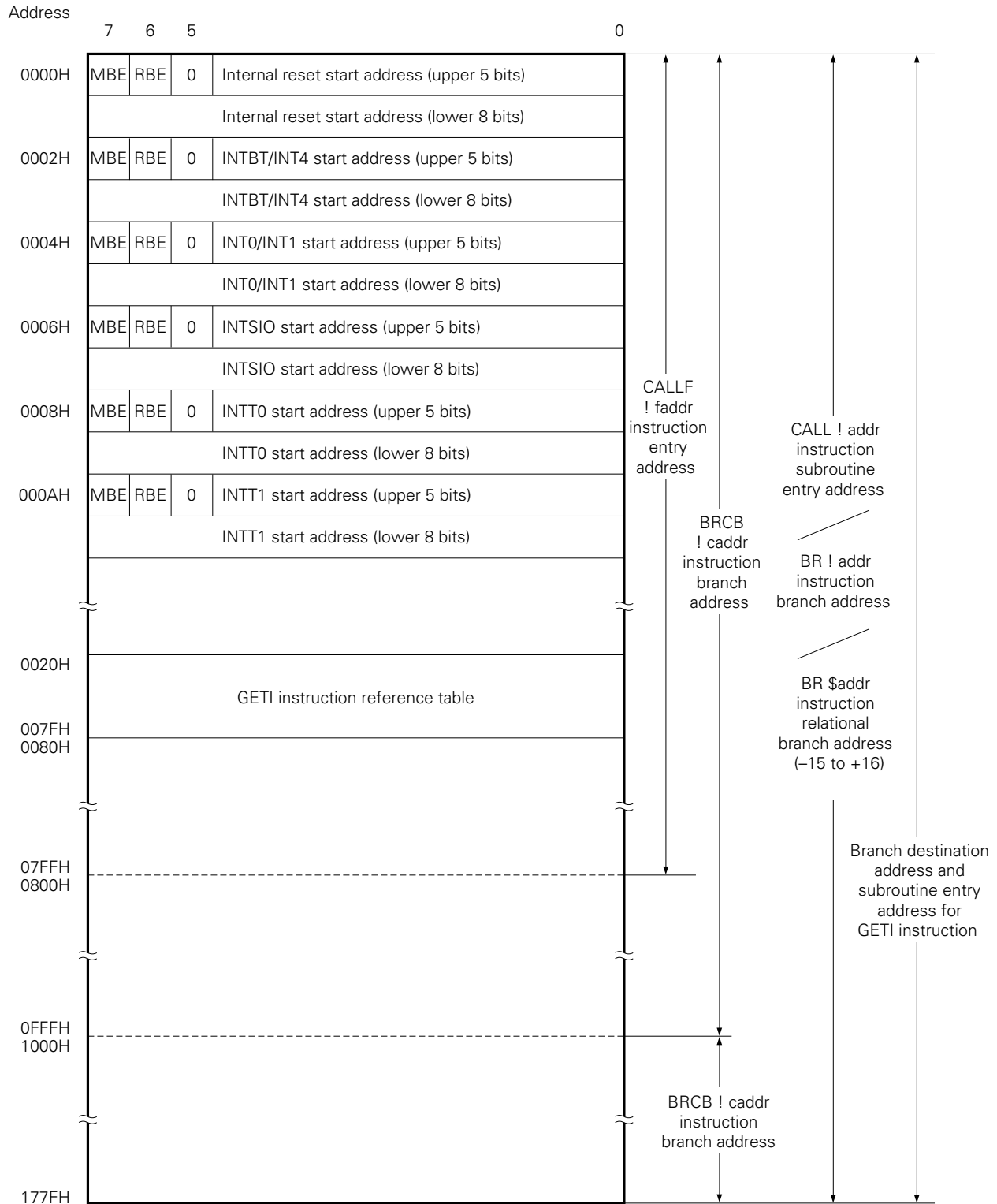
(a) μPD75108



**Fig. 4-1 Program Memory Map (1/3)**

**Remarks:** In addition to the above addresses, program can be branched to addresses specified by the PC with the contents of its lower 8 bits changed by BR PCDE or BR PCXA instruction.

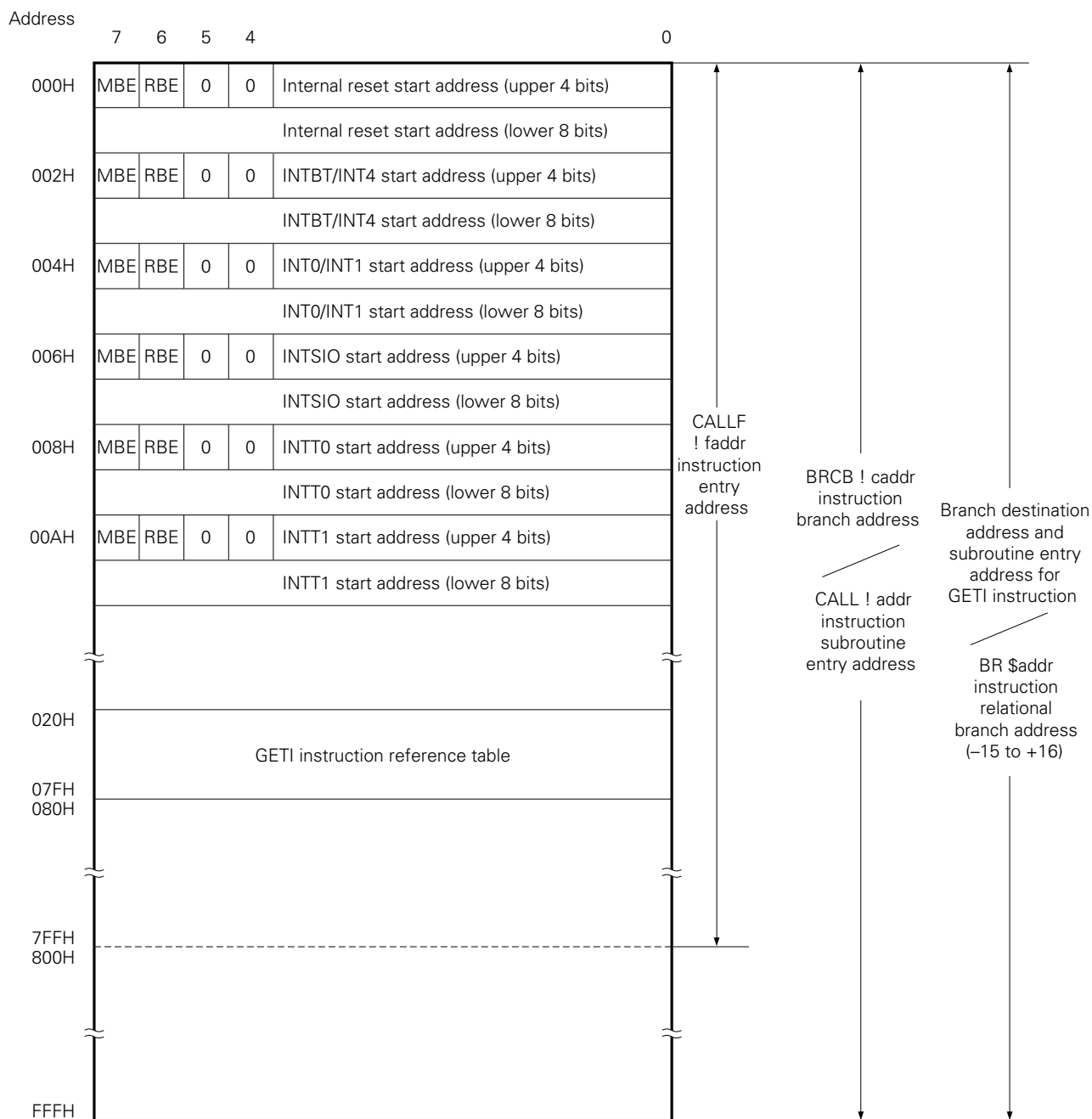
(b) μPD75106



**Fig. 4-1 Program Memory Map (2/3)**

**Remarks:** In addition to the above addresses, program can be branched to addresses specified by the PC with the contents of its lower 8 bits changed by BR PCDE or BR PCXA instruction.

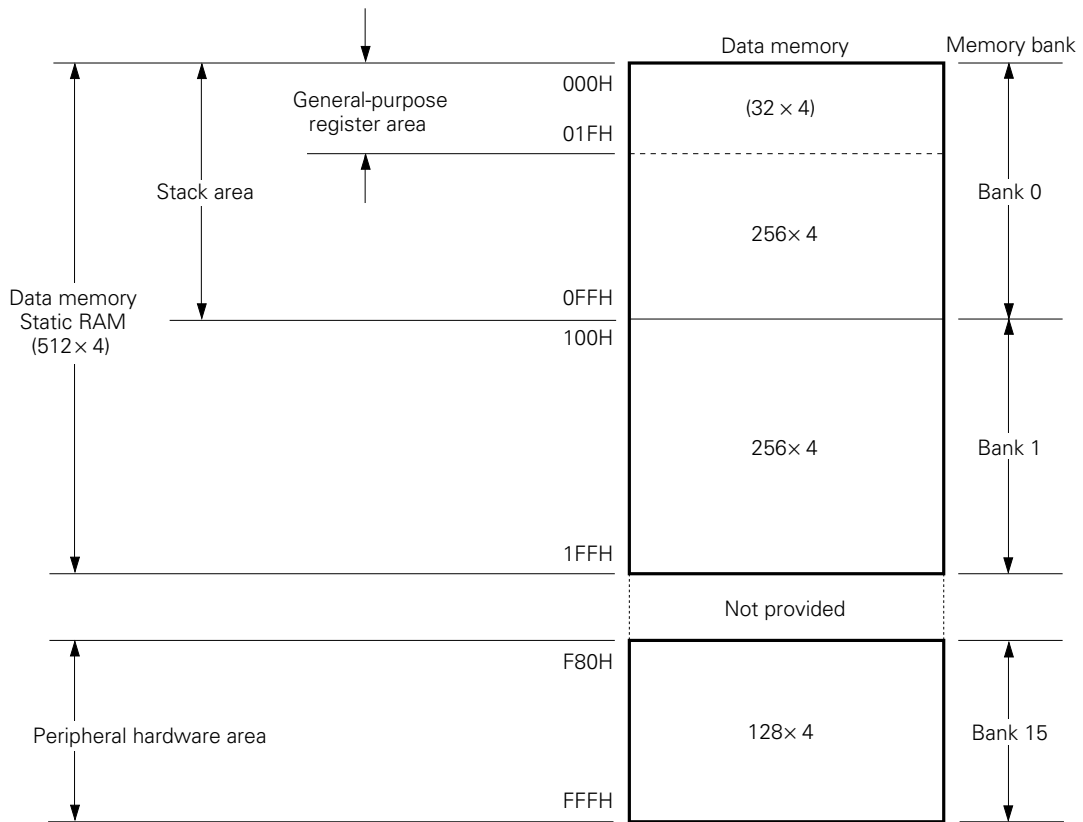
(c) μPD75106



**Fig. 4-1 Program Memory Map (3/3)**

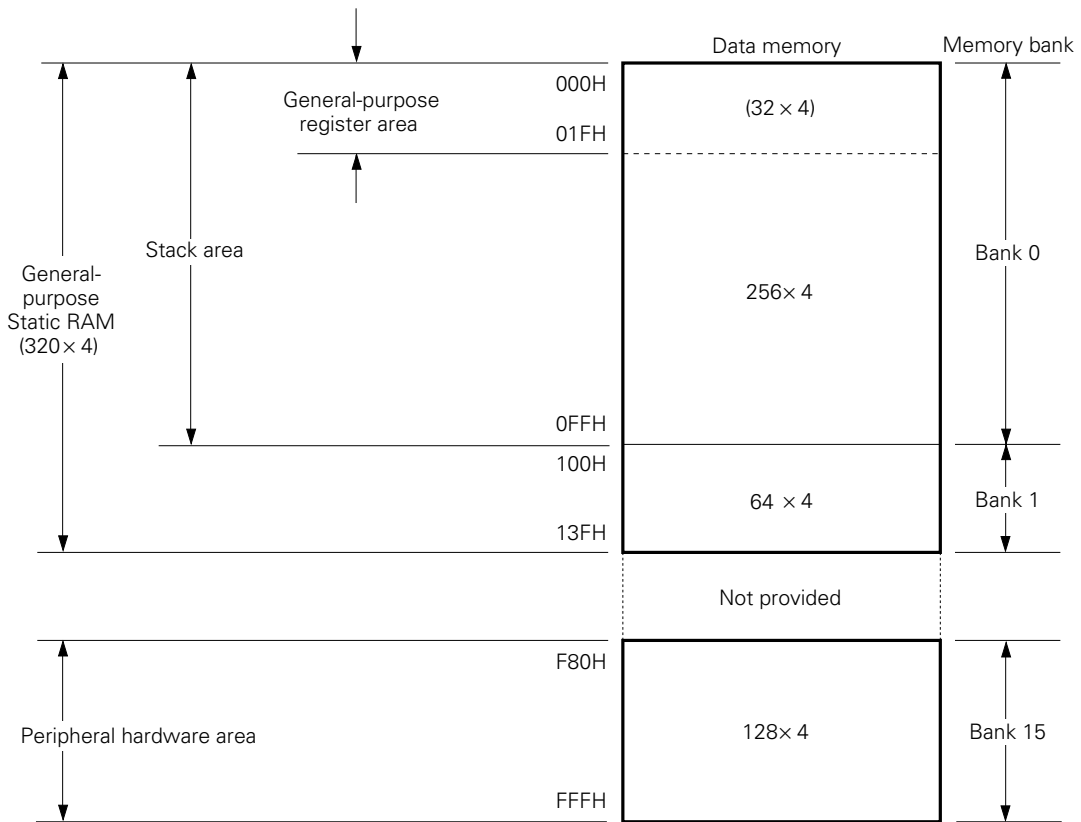
**Remarks:** In addition to the above addresses, program can be branched to addresses specified by the PC with the contents of its lower 8 bits changed by BR PCDE or BR PCXA instruction.

(a)  $\mu$ PD75108



**Fig. 4-2 Data Memory Map(1/2)**

(b)  $\mu$ PD75106, 75104



**Fig. 4-2 Data Memory Map(2/2)**

**5. PERIPHERAL HARDWARE FUNCTIONS**

**5.1 PORTS**

I/O ports are classified into the following 3 kinds:

- CMOS input (PORT0, 1) : 8
  - CMOS input/output (PORT2, 3, 4, 5, 6, 7, 8, 9) : 32
  - N-ch open-drain input/output (PORT12, 13, 14) : 12
- 
- Total : 52

**Table 5-1 Port Function**

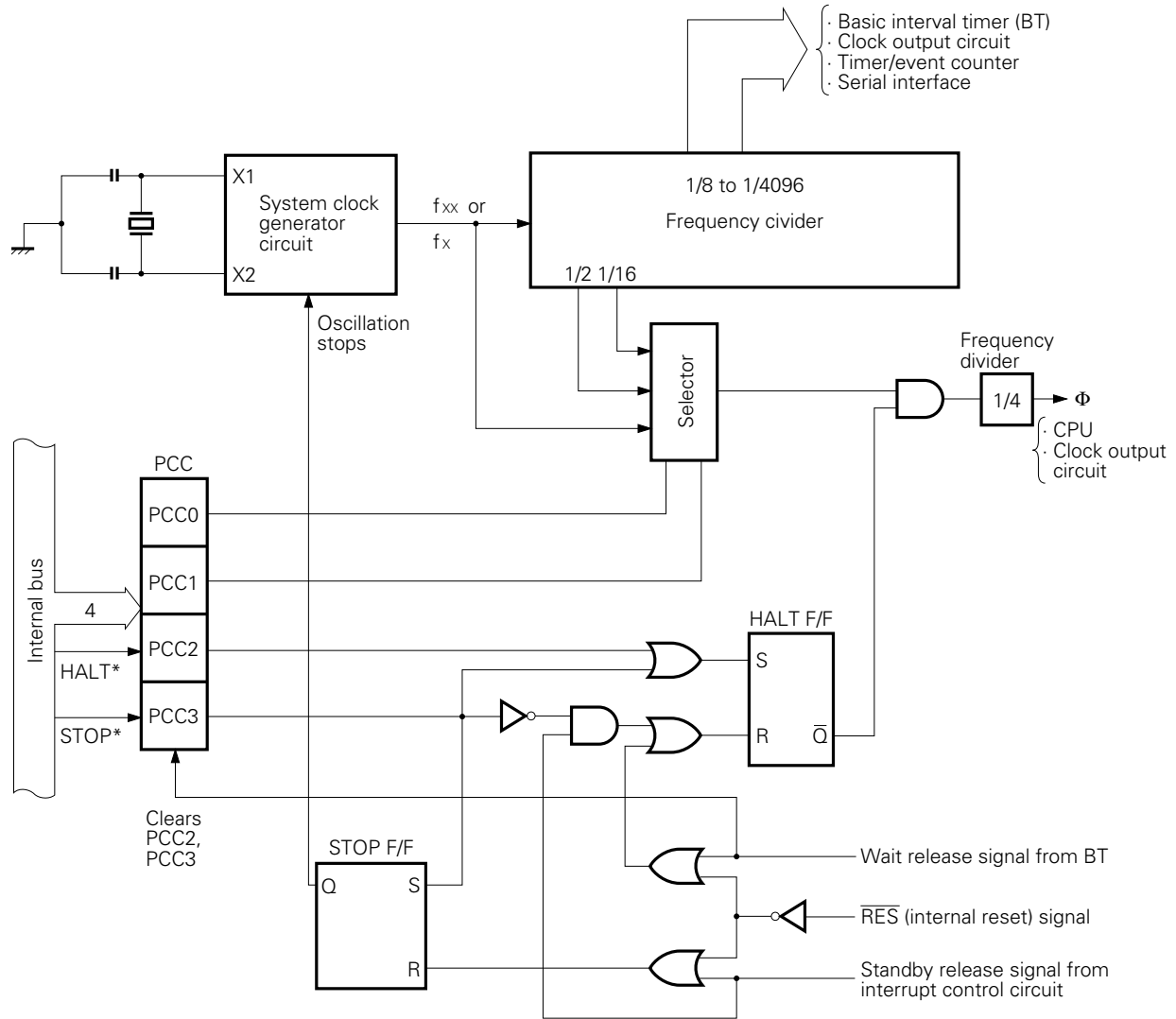
Port (Symbol)	Function	Operation and Features	Remarks	
PORT0 PORT1	4-bit input	Can always be read or tested regardless of operation mode of shared pin	Shared with SI, SO, $\overline{SCK}$ , and INTO to 4 pins	
PORT3 PORT6	4-bit I/O*	Can be set in input or output mode bitwise	—	
PORT2 PORT4 PORT5 PORT7 PORT8 PORT9		Can be set in input or output mode in units of 4 bits. Ports 4 and 5, 6 and 7, 8 and 9 can be used in pairs to input or output 8-bit data	Port 2 pins are shared with PTO0, PTO1, and PCL pins	
PORT12 PORT13 PORT14		4-bit I/O* (N-ch open-drain. 12V)	Can be set in input or output mode in units of 4 bits. Ports 12 and 13 can be used in pairs to input or output 8-bit data	Each bit can be connected to pull-up resistor by mask option

\*: Can directly drive LED.

**5.2 CLOCK GENERATOR CIRCUIT**

The clock generator circuit generates clocks to control CPU operation modes by supplying clocks to the CPU and peripheral hardware. In addition, this circuit can change the instruction execution time.

- 0.95  $\mu$ s/1.91  $\mu$ s/15.3  $\mu$ s (operating at 4.19 MHz)



\*: Execution of the instruction

**Remarks 1:** f<sub>xx</sub>= Crystal/ceramic oscillator

**2:** f<sub>x</sub> = External clock frequency

**3:** PCC: Processor clock control register

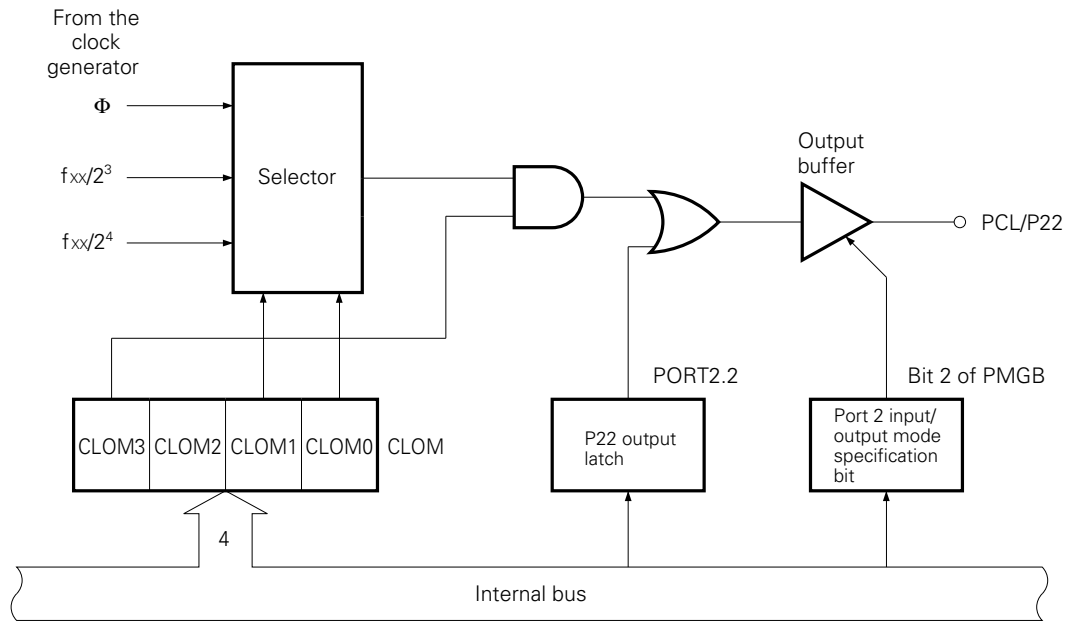
**4:** One clock cycle (t<sub>cy</sub>) of Φ is one machine cycle of an instruction. For t<sub>cy</sub>, refer to AC characteristics in 12. ELECTRICAL SPECIFICATIONS. ★

**Fig. 5-1 Clock Generator Block Diagram**

**5.3 CLOCK OUTPUT CIRCUIT**

The clock output circuit outputs clock pulse from the P22/PCL pin. This clock output circuit is used to output clock pulses to the remote control output, peripheral LSIs, etc.

- Clock output (PCL) :  $\Phi$ , 524, 262 kHz (operating at 4.19 MHz)



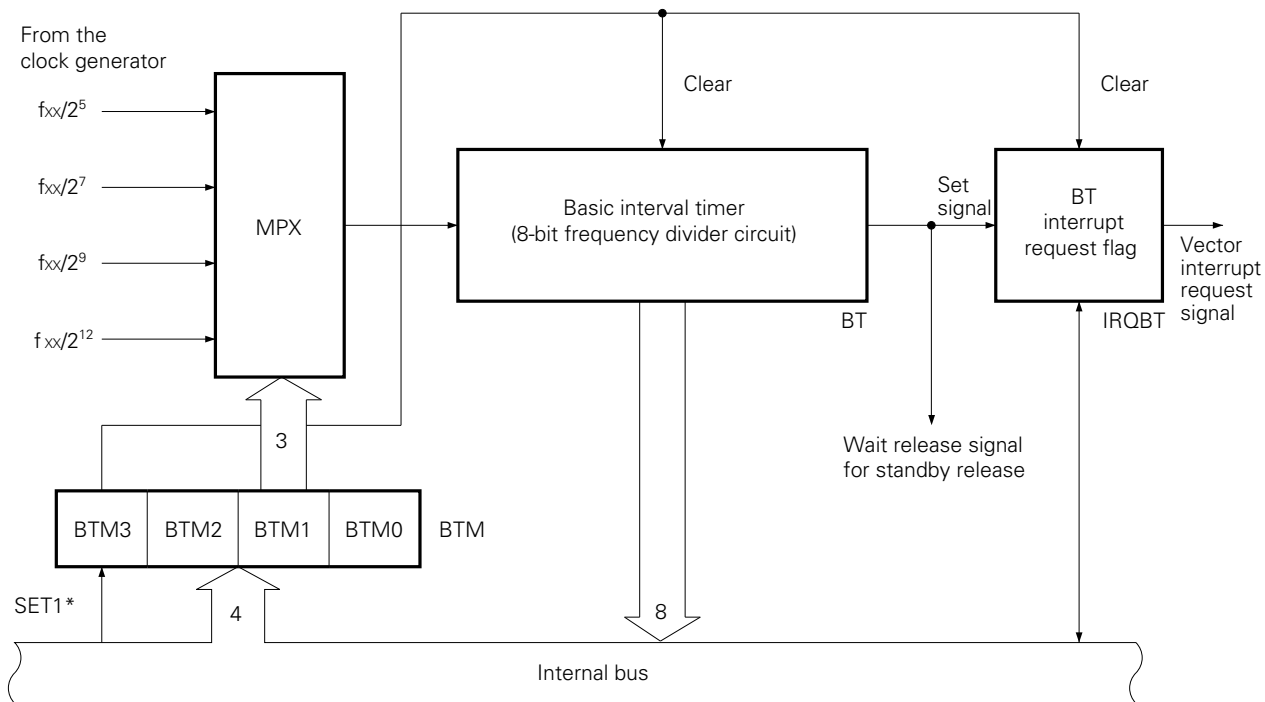
**Fig. 5-2 Clock Output Circuit Configuration**



**5.4 BASIC INTERVAL TIMER**

The basic interval timer has these functions:

- Interval timer operation which generates a reference time interrupt
- Watchdog timer application which detects a program runaway
- Selects the wait time for releasing the standby mode and counts the wait time
- Reads out the count value



Remarks : \*: Instruction execution

**Fig. 5-3 Basic Interval Timer Configuration**

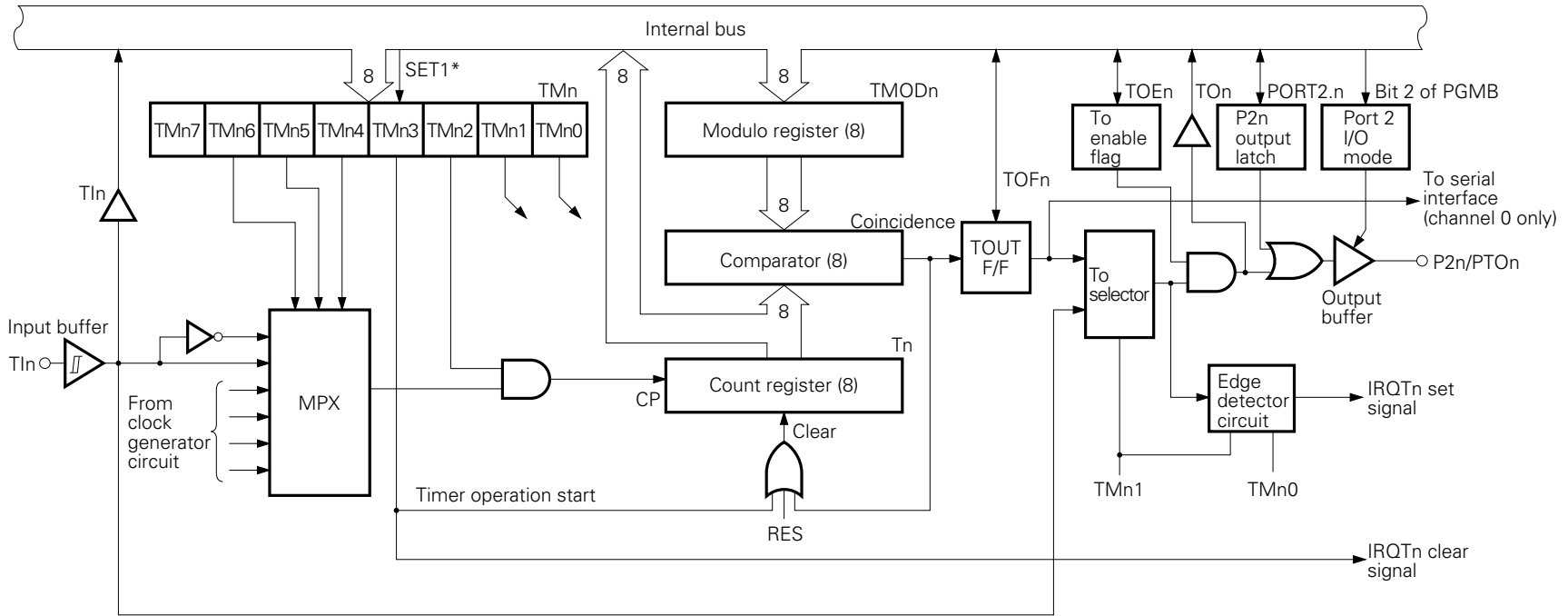
**5.5 TIMER/EVENT COUNTER**

μPD75108 contains two channels of timer/event counters.

These two channels are almost identical in terms of configuration and function except the count pulse (CP) that can be selected and the function to supply clocks to the serial interface.

The functions of the timer/event counter include:

- Programmable interval timer operation
- Output of square wave at an arbitrary frequency to PTO<sub>n</sub> pin
- Event counter operation
- Input of TIn pin signal as external interrupt input signal
- Dividing TIn pin input by N to output to PTO<sub>n</sub> pin (frequency divider operation)
- Supply of serial shift clock to serial interface circuit (channel 0 only)
- Reading counting status



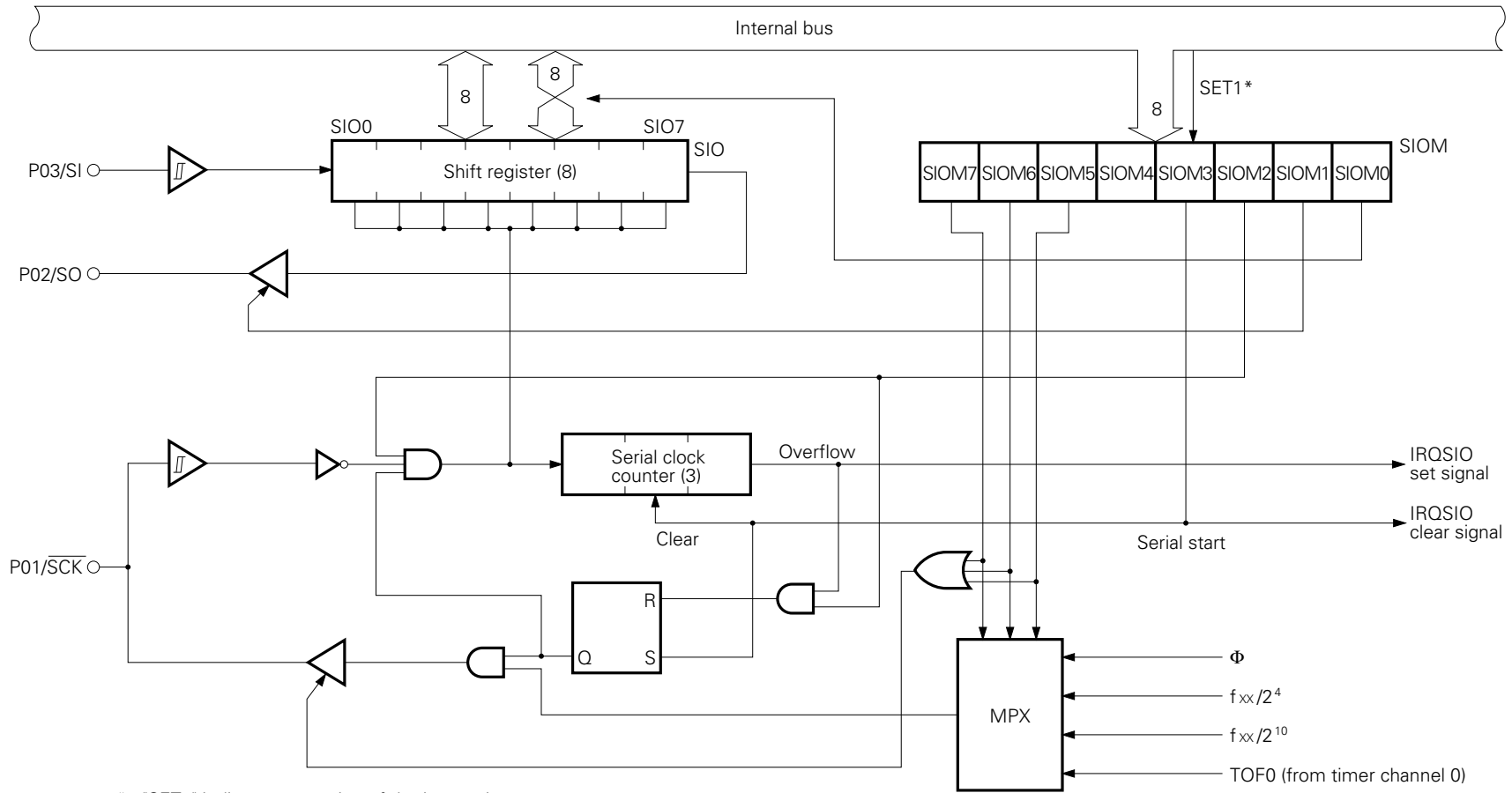
Remarks: \* indicates the instruction execution.

Fig. 5-4 Timer/Event Counter Block Diagram (n = 0, 1)

## 5.6 SERIAL INTERFACE

The  $\mu$ PD75108 is equipped with clock 8-bit serial interface that operates in the following two modes:

- Operation stop mode
- Three-line serial I/O mode



**Fig. 5-5 Serial Interface Block Diagram**

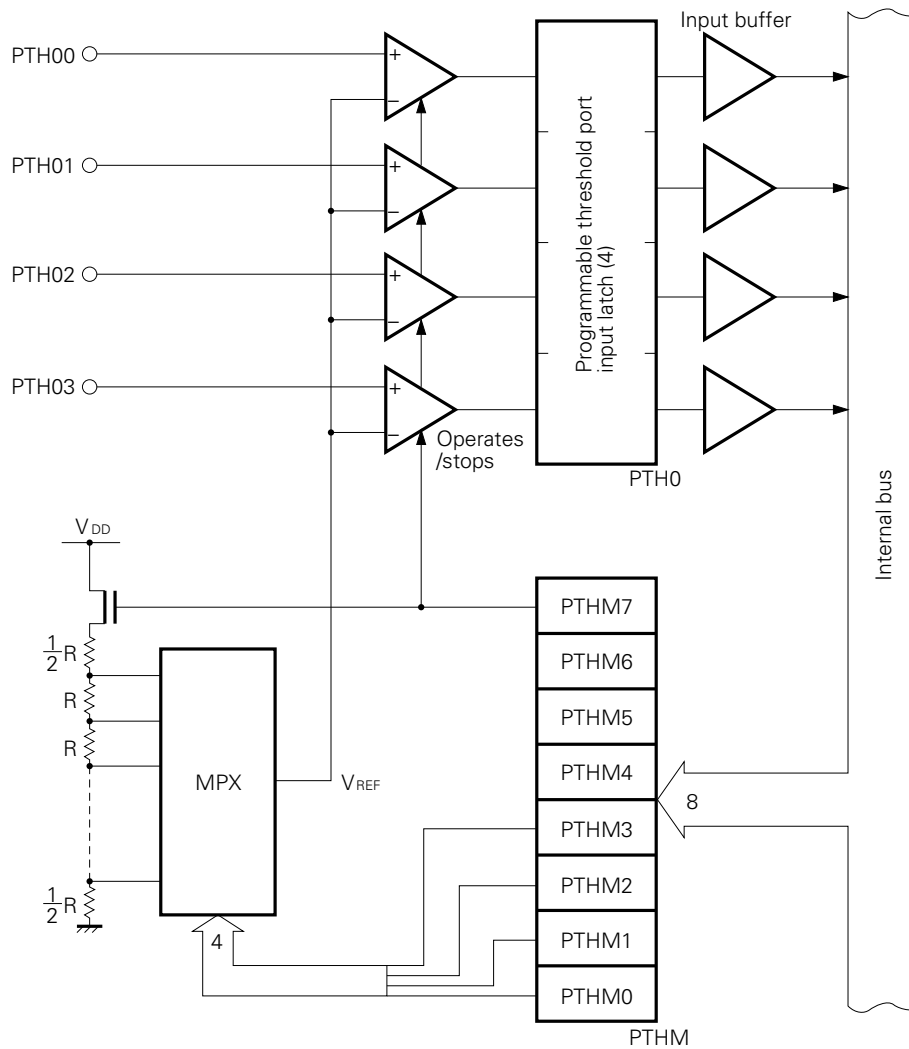
**5.7 PROGRAMMABLE THRESHOLD PORT (ANALOG INPUT PORT)**

$\mu$ PD75108 is equipped with a 4-bit analog input port (consisting of PTH00 to PTH03 pins) whose threshold voltage is programmable.

This programmable threshold port is configured as shown in Figure 5-6.

The threshold voltage ( $V_{REF}$ ) can be changed in 16 steps ( $V_{DD} \times 0.5/16 - V_{DD} \times 15.5/16$ ), and analog signals can be directly input.

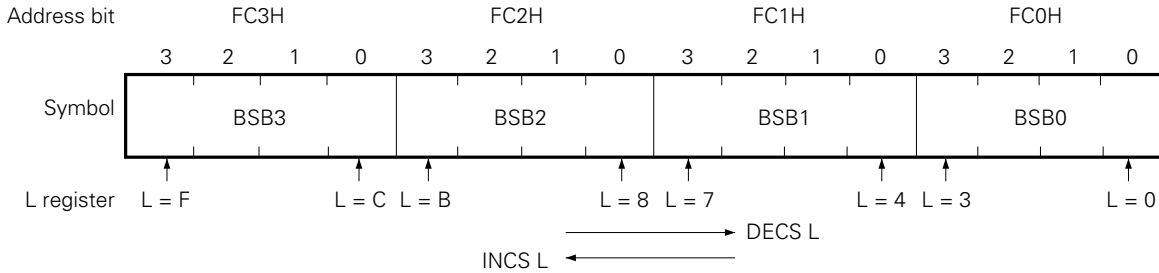
When  $V_{REF}$  is set to  $V_{DD} \times 7.5/16$ , the programmable threshold port can also be used as a digital signal input port.



**Fig. 5-6 Programmable Threshold Port Configuration**

**5.8 BIT SEQUENTIAL BUFFER .... 16 BITS**

The bit sequential buffer is a data memory specifically provided for bit manipulation. With this buffer, addresses and bit specifications can be sequentially up-dated in bit manipulation operation. Therefore, this buffer is very useful for processing long data in bit units.



*Remarks:* For the pmem.@L addressing, the specification bit is shifted according to the L register.

**Fig. 5-7 Bit Sequential Buffer Format**

**5.9 POWER-ON FLAG (MASK OPTION)**

The power-ON flag (PONF) is set to only when the power-ON reset circuit operates and power-ON reset signal has been generated (see Fig. 8-1).

The PONF flag is mapped at bit 0 of memory space address FD1H, and can be manipulated by a bit manipulation instruction. However, it cannot be set by the SET1 instruction.

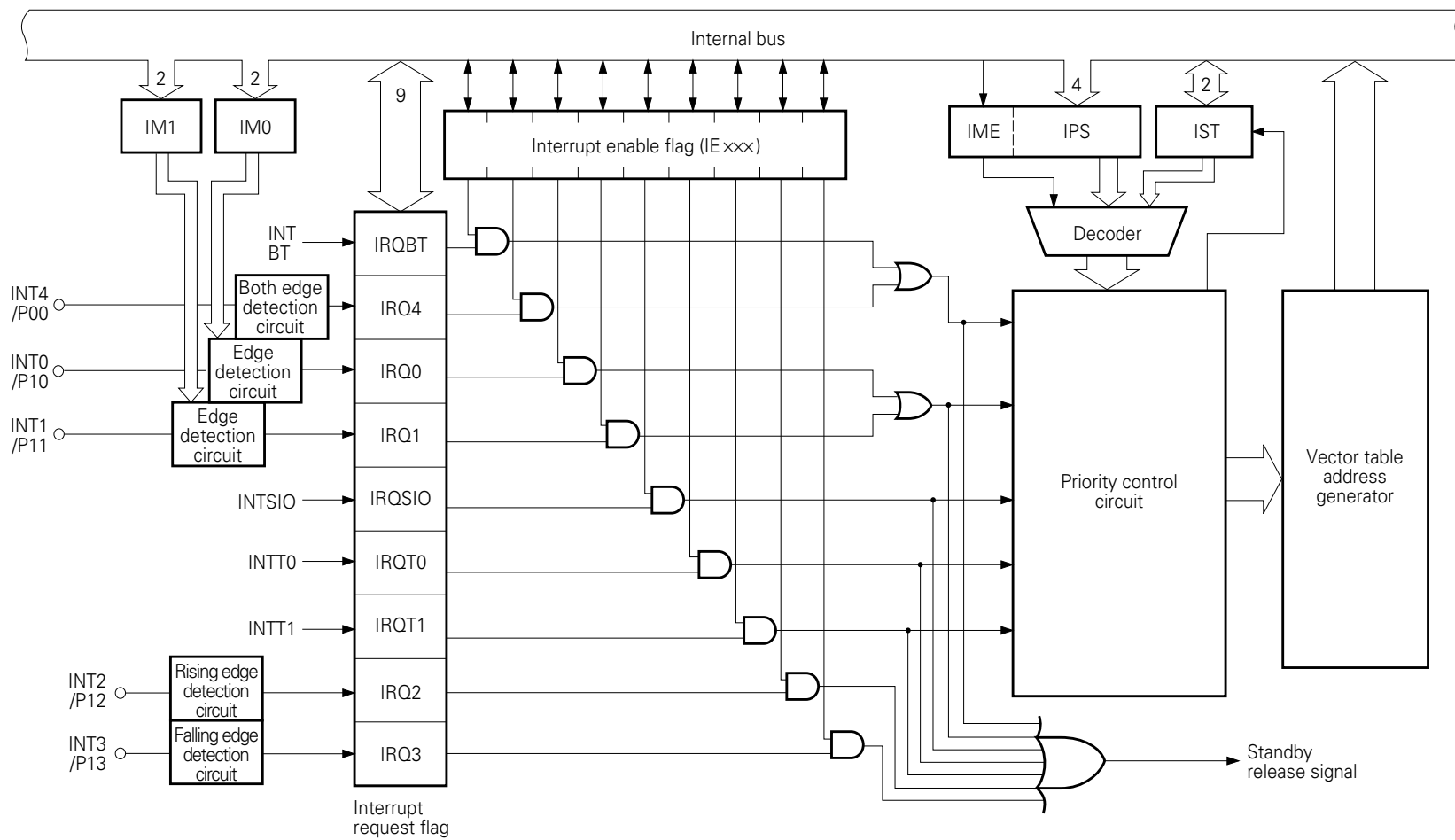
**6. INTERRUPT FUNCTIONS**

The μPD75108 has 7 different interrupt sources and can perform multiplexed interrupt processing with priority assigned.

In addition to that, the μPD75108 is also provided with two types of edge detection testable inputs.

The interrupt control circuit of the μPD75108 has these functions:

- Hardware controlled vector interrupt function which can control whether or not to accept an interrupt by using the interrupt enable flag (IExxx) and interrupt master enable flag (IME).
- The interrupt start address can be arbitrarily set.
- Multiplexed interrupt function that can specify priority by the interrupt priority selector register (IPS).
- Interrupt request flag (IRQxxx) test function (an interrupt generation can be confirmed by means of software).
- Standby mode release (Interrupts to be released can be selected by the interrupt enable flag).



**Fig. 6-1 Interrupt Control Block Diagram**

**7. STANDBY FUNCTIONS**

The μPD75108 has two different standby modes (STOP mode and HALT mode) to reduce the power consumption of the microcomputer chip while waiting for program execution.

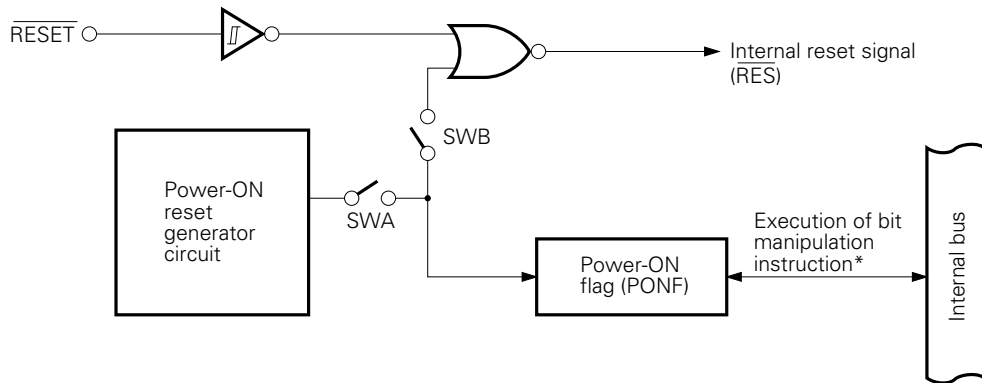
**Table 7-1 Each Status in Standby Mode**

		STOP Mode	HALT Mode
Setting Instruction		STOP instruction	HALT instruction
Operation Status	Clock Generator circuit	Clock oscillation stops	Only CPU clock $\Phi$ is stopped
	Basic Interval Timer	Stops	Operates (sets IRQBT at reference time intervals)
	Serial Interface	Operates only when input of external $\overline{SCK}$ or output of T00 is selected as serial clock (where external T10 is input to timer/event counter 0)	Operates when serial clock other than $\Phi$ is specified
	Timer/Event Counter	Operates only when TIn pin input signal is specified as count clock	Operates
	Clock output circuit	Stops	Operates when clock other than CPU clock $\Phi$ is used
	CPU	Stops	Stops
Release Signal		Interrupt request signal enabled by interrupt enable flag, or $\overline{RESET}$ input	



**8. RESET FUNCTION**

The reset ( $\overline{\text{RES}}$ ) signal generator circuit is configured as shown in Figure 8-1.

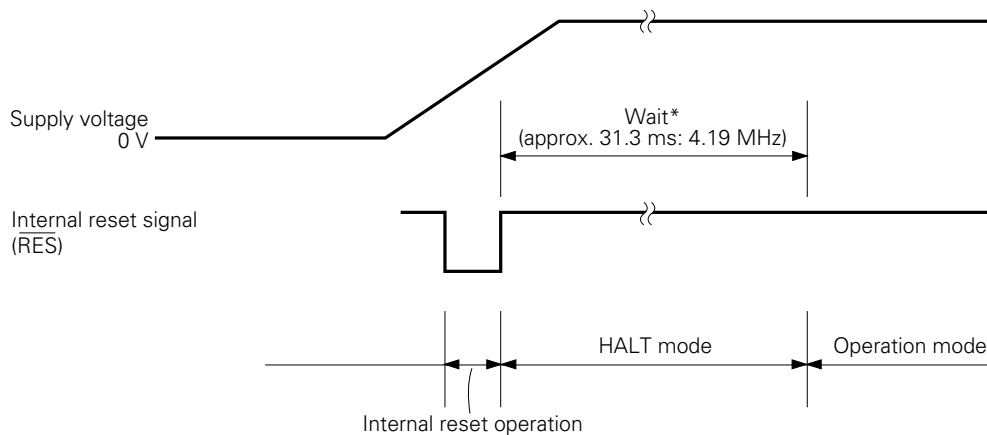


\*: PONF cannot be set to 1 by SET1 instruction.

**Fig. 8-1 Reset Signal Generator Circuit**

The Power-ON reset generator circuit generates an internal reset signal when the supply voltage rises. This pulse can be used in three ways by specifying a mask option through SWA and SWB shown in Fig. 8-1. (Refer to 11. MASK OPTION SELECTION.)

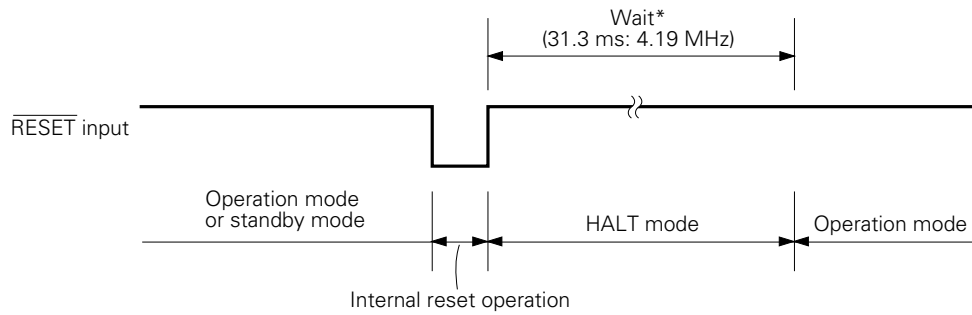
The reset operations performed by the Power-On reset circuit and the RESET input signal are illustrated in Figs. 8-2 and 8-3, respectively.



\*: The wait time does not include the time required after the  $\overline{\text{RES}}$  signal has been generated until the oscillation starts.

**Fig. 8-2 Reset by Power-ON Reset Circuit**

**Phase-out/Discontinued**



\*: The wait time does not include the time required after the  $\overline{\text{RES}}$  signal has been generated until the oscillation starts.

**Fig. 8-3 Reset by  $\overline{\text{RESET}}$  Signal**

The status of each internal hardware device after the reset operation has been performed is shown in Table 8-1.

**Table 8-1 Hardware Device Status After Reset**

Hardware		$\overline{\text{RESET}}$ input during standby mode	Power-ON Reset or $\overline{\text{RESET}}$ Input during Operation
Program Counter (PC)		Lower 4 bits of program memory address 000H are set to PC <sub>12-8,*1</sub> and contents of address 001H are set to PC <sub>7-0</sub> .	Lower 4 bits of program memory address 000H are set to PC <sub>12-8,*1</sub> and contents of address 001H are set to PC <sub>7-0</sub> .
PSW	Carry Flag (CY)	Retained	Undefined
	Skip Flags (SK0-SK2)	0	0
	Interrupt Status Flags (IST0, 1)	0	0
	Bank Enable Flags (MBE, RBE)	Bit 6 of program memory address 000H is set in RBE, and bit 7 is set in MBE.	Bit 6 of program memory address 000H is set in RBE, and bit 7 is set in MBE.
Stack Pointer (SP)		Undefined	Undefined
Data Memory (RAM)		Retained*2	Undefined
General-Purpose Registers (X,A,H,L,D,E,B,C)		Retained	Undefined
Bank Selector Registers (MBS, RBS)		0, 0	0, 0
Basic interval timer	Counter (BT)	Undefined	Undefined
	Mode Register (BTM)	0	0
Timer/Event Counter (n = 0, 1)	Counter (Tn)	0	0
	Modulo Register (TMODn)	FFH	FFH
	Mode Register (TMn)	0	0
	TOEn, TOFn	0, 0	0, 0
Serial Interface	Shift Register (SIO)	Retained	Undefined
	Mode Register (SIOM)	0	0
Clock Generator Circuit, Clock Output Circuit	Processor Clock Control Register (PCC)	0	0
	Clock Output Mode Register (CLOM)	0	0
Interrupt	Interrupt Request Rlags (IRQxxx)	Reset (0)	Reset (0)
	Interrupt Enable Flags (IExxx)	0	0
	Priority Selector Register (IPS)	0	0
	INT0, 1 Mode Registers (IM0, IM1)	0, 0	0, 0
Digital Port	Output Buffer	OFF	OFF
	Output Latch	Cleared (0)	Cleared (0)
	I/O Mode Registers (PMGA, PMGB, PMGC)	0	0
Analog Port	PTH00-PTH03 Input Latches	Undefined	Undefined
	Mode Register (PTHM)	0	0
Power-ON Flag (PONF)		Retained	1 or undefined*2
Bit Sequential Buffer (BSB0-BSB3)		0	0

\*1: PC<sub>11-8</sub> for μPD75104

2: Power-ON reset: 1

$\overline{\text{RESET}}$  input during operation: undefined

**Note:** Data at data memory addresses 0F8H to 0FDH become undefined when the  $\overline{\text{RESET}}$  signal has been input.

**9. INSTRUCTION SET**

(1) Operand representation and description

Describe one or more operands in the operand field of each instruction according to the operand representation and description methods of the instruction (for details, refer to RA75X Assembler Package User's Manual - Language (EEU-730)). With some instructions, only one operand should be selected from several operands. The uppercase characters, +, and – are keywords and must be described as is.

Describe an appropriate numeric value or label as immediate data.

The symbols in the register and flag symbols can be described as labels in the places of mem, fmem, pmem, and bit (for details, refer to μPD751XX Series User's Manual (IEM-922)). However, fmem and pmem restricts the label that can be described.

Representation	Description	
reg	X, A, B, C, D, E, H, L	
reg1	X, B, C, D, E, H, L	
rp	XA, BC, DE, HL	
rp1	BC, DE, HL	
rp2	BC, DE	
rp'	XA, BC, DE, HL, XA', BC', DE', HL'	
rp'1	BC, DE, HL, XA', BC', DE', HL'	
rpa	HL, HL+, HL-, DE, DL	
rpa1	DE, DL	
n4	4-bit immediate data or label	
n8	8-bit immediate data or label	
mem	8-bit immediate data or label*	
bit	2-bit immediate data or label	
fmem	FB0H to FBFH, FF0H to FFFH immediate data or label	
pmem	FC0H to FFFH immediate data or label	
addr	μPD75104	0000H to 0FFFH immediate data or label
	μPD75106	0000H to 177FH immediate data or label
	μPD75108	0000H to 1F7FH immediate data or label
caddr	12-bit immediate data or label	
faddr	11-bit immediate data or label	
taddr	20H to 7FH immediate data (where bit0 = 0) or label	
PORTn	PORT0 - PORT9, PORT12 - PORT14	
IExxx	IEBT, IESIO, IET0, IET1, IE0 - IE4	
RBn	RB0 - RB3	
MBn	MB0, MB1, MB15	

\*: Only even address can be described as mem for 8-bit data processing.

## (2) Legend of operation field

A	: A register; 4-bit accumulator
B	: B register; 4-bit accumulator
C	: C register; 4-bit accumulator
D	: D register; 4-bit accumulator
E	: E register; 4-bit accumulator
H	: H register; 4-bit accumulator
L	: L register; 4-bit accumulator
X	: X register; 4-bit accumulator
XA	: Register pair (XA); 8-bit accumulator
BC	: Register pair (BC); 8-bit accumulator
DE	: Register pair (DE); 8-bit accumulator
HL	: Register pair (HL); 8-bit accumulator
XA'	: Expansion register pair (XA')
BC'	: Expansion register pair (BC')
DE'	: Expansion register pair (DE')
HL'	: Expansion register pair (HL')
PC	: Program counter
SP	: Stack pointer
CY	: Carry flag; or bit accumulator
PSW	: Program status word
MBE	: Memory bank enable flag
RBE	: Register bank enable flag
PORT <sub>n</sub>	: Port n (n = 0 - 9, 12 - 14)
IME	: Interrupt mask enable flag
IPS	: Interrupt priority selection register
IE <sub>xxx</sub>	: Interrupt enable flag
RBS	: Register bank selection register
MBS	: Memory bank selection register
PCC	: Processor clock control register
·	: Delimiter of address and bit
(xx)	: Contents addressed by xx
xxH	: Hexadecimal data

(3) Symbols in addressing area field

*1	MB = MBE · MBS (MBS = 0, 1, 15)		
*2	MB = 0		
*3	MBE = 0 : MB = 0 (00H-7FH) MB = 15 (80H-FFH) MBE = 1 : MB = MBS (MBS = 0, 1, 15)		
*4	MB = 15, fmem = FB0H-FBFH, FF0H-FFFH		
*5	MB = 15, pmem = FC0H-FFFH		
*6	μPD75104	addr = 0000H-0FFFH	
	μPD75106	addr = 0000H-177FH	
	μPD75108	addr = 0000H-1F7FH	
*7	addr = (Current PC) - 15 to (Current PC) - 1 (Current PC) + 2 to (Current PC) + 16		
*8	μPD75104	caddr = 0000H-0FFFH (PC <sub>11</sub> = 0)	
	μPD75106	caddr = 0000H-0FFFH (PC <sub>12</sub> = 0) or 1000H-177FH (PC <sub>12</sub> = 1)	
	μPD75108	caddr = 0000H-0FFFH (PC <sub>12</sub> = 0) or 1000H-1F7FH (PC <sub>12</sub> = 1)	
*9	faddr = 000H-7FFH		
*10	taddr = 020H-07FH		

- Remarks**
- MB indicates memory bank that can be accessed.
  - In \*2, MB = 0 regardless of MBE and MBS.
  - In \*4 and \*5, MB = 15 regardless of MBE and MBS.
  - \*6 to \*10 indicate areas that can be addressed.

(4) Machine cycle field

In this field, S indicates the number of machine cycles required when an instruction having a skip function skips. The value of S varies as follows:

- When no instruction is skipped ..... S = 0
- When 1-byte or 2-byte instruction is skipped ..... S = 1
- When 3-byte instruction (BR ! adder or CALL ! adder) is skipped ..... S = 2

*Note* : The GETI instruction is skipped in one machine cycle.

One machine cycle equals to one cycle of the CPU clock Φ, (= t<sub>cv</sub>), and can be changed in three steps depending on the setting of the processor clock control register (PCC).

Instructions	Mne-monics	Operand	Bytes	Ma-chine Cycles	Operation	Addressing Area	Skip Conditions
Transfer	MOV	A, #n4	1	1	$A \leftarrow n4$		String effect A
		reg1, #n4	2	2	$reg1 \leftarrow n4$		
		XA, #n8	2	2	$XA \leftarrow n8$		String effect A
		HL, #n8	2	2	$HL \leftarrow n8$		String effect B
		rp2, #n8	2	2	$rp2 \leftarrow n8$		
		A, @HL	1	1	$A \leftarrow (HL)$	*1	
		A, @HL+	1	2+S	$A \leftarrow (HL)$ , then $L \leftarrow L+1$	*1	L = 0
		A, @HL-	1	2+S	$A \leftarrow (HL)$ , then $L \leftarrow L-1$	*1	L = FH
		A, @rpa1	1	1	$A \leftarrow (rpa1)$	*2	
		XA, @HL	2	2	$XA \leftarrow (HL)$	*1	
		@HL, A	1	1	$(HL) \leftarrow A$	*1	
		@HL, XA	2	2	$(HL) \leftarrow XA$	*1	
		A, mem	2	2	$A \leftarrow (mem)$	*3	
		XA, mem	2	2	$XA \leftarrow (mem)$	*3	
		mem, A	2	2	$(mem) \leftarrow A$	*3	
		mem, XA	2	2	$(mem) \leftarrow XA$	*3	
		A, reg	2	2	$A \leftarrow reg$		
		XA, rp'	2	2	$XA \leftarrow rp'$		
		reg1, A	2	2	$reg1 \leftarrow A$		
		rp'1, XA	2	2	$rp'1 \leftarrow XA$		
	XCH	A, @HL	1	1	$A \leftrightarrow (HL)$	*1	
		A, @HL+	1	2+S	$A \leftrightarrow (HL)$ , then $L \leftarrow L+1$	*1	L = 0
		A, @HL-	1	2+S	$A \leftrightarrow (HL)$ , then $L \leftarrow L-1$	*1	L = FH
		A, @rpa1	1	1	$A \leftrightarrow (rpa1)$	*2	
		XA, @HL	2	2	$XA \leftrightarrow (HL)$	*1	
		A, mem	2	2	$A \leftrightarrow (mem)$	*3	
		XA, mem	2	2	$XA \leftrightarrow (mem)$	*3	
		A, reg1	1	1	$A \leftrightarrow reg1$		
		XA, rp'	2	2	$XA \leftrightarrow rp'$		
	Table Reference	MOVT	XA, @PCDE	1	3	• μPD75104 $XA \leftarrow (PC_{11-8}+DE)_{ROM}$	
• μPD75106, 75108 $XA \leftarrow (PC_{12-8}+DE)_{ROM}$							
XA, @PCXA		1	3	• μPD75104 $XA \leftarrow (PC_{11-8}+XA)_{ROM}$			
				• μPD75106, 75108 $XA \leftarrow (PC_{12-8}+XA)_{ROM}$			

Instruc-tions	Mne-monics	Operand	Bytes	Ma-chine Cyc-les	Operation	Addressing Area	Skip Conditions
Bit transfer	MOV1	CY,fmem.bit	2	2	$CY \leftarrow (\text{fmem.bit})$	*4	
		CY,pmem.@L	2	2	$CY \leftarrow (\text{pmem}_{7-2+L_{3-2}.bit(L_{1-0})})$	*5	
		CY,@H+mem.bit	2	2	$CY \leftarrow (\text{H+mem}_{3-0}.bit)$	*1	
		fmem.bit,CY	2	2	$(\text{fmem.bit}) \leftarrow CY$	*4	
		pmem.@L,CY	2	2	$(\text{pmem}_{7-2+L_{3-2}.bit(L_{1-0})}) \leftarrow CY$	*5	
		@H+mem.bit,CY	2	2	$(\text{H+mem}_{3-0}.bit) \leftarrow CY$	*1	
Arith-metic operation	ADDS	A, #n4	1	1+S	$A \leftarrow A+n4$		carry
		XA, #n8	2	2+S	$XA \leftarrow XA+n8$		carry
		A, @HL	1	1+S	$A \leftarrow A+(\text{HL})$	*1	carry
		XA, rp'	2	2+S	$XA \leftarrow XA+rp'$		carry
		rp'1, XA	2	2+S	$rp'1 \leftarrow rp'1+XA$		carry
	ADDC	A, @HL	1	1	$A, CY \leftarrow A+(\text{HL})+CY$	*1	
		XA, rp'	2	2	$XA, CY \leftarrow XA+rp'+CY$		
		rp'1, XA	2	2	$rp'1, CY \leftarrow rp'1+XA+CY$		
	SUBS	A, @HL	1	1+S	$A \leftarrow A-(\text{HL})$	*1	borrow
		XA, rp'	2	2+S	$XA \leftarrow XA-rp'$		borrow
		rp'1, XA	2	2+S	$rp'1 \leftarrow rp'1-XA$		borrow
	SUBC	A, @HL	1	1	$A, CY \leftarrow A-(\text{HL})-CY$	*1	
		XA, rp'	2	2	$XA, CY \leftarrow XA-rp'-CY$		
		rp'1, XA	2	2	$rp'1, CY \leftarrow rp'1-XA-CY$		
	AND	A, #n4	2	2	$A \leftarrow A \wedge n4$		
		A, @HL	1	1	$A \leftarrow A \wedge (\text{HL})$	*1	
		XA, rp'	2	2	$XA \leftarrow XA \wedge rp'$		
		rp'1, XA	2	2	$rp'1 \leftarrow rp'1 \wedge XA$		
	OR	A, #n4	2	2	$A \leftarrow A \vee n4$		
		A, @HL	1	1	$A \leftarrow A \vee (\text{HL})$	*1	
		XA, rp'	2	2	$XA \leftarrow XA \vee rp'$		
		rp'1, XA	2	2	$rp'1 \leftarrow rp'1 \vee XA$		
	XOR	A, #n4	2	2	$A \leftarrow A \nabla n4$		
		A, @HL	1	1	$A \leftarrow A \nabla (\text{HL})$	*1	
XA, rp'		2	2	$XA \leftarrow XA \nabla rp'$			
rp'1, XA		2	2	$rp'1 \leftarrow rp'1 \nabla XA$			
Accumulator Manipulation	RORC	A	1	1	$CY \leftarrow A_0, A_3 \leftarrow CY, A_{n-1} \leftarrow A_n$		
	NOT	A	2	2	$A \leftarrow \bar{A}$		
Incre-ment/decre-ment	INCS	reg	1	1+S	$reg \leftarrow reg+1$		reg = 0
		rp1	1	1+S	$rp1 \leftarrow rp1+1$		rp1 = 00H
		@HL	2	2+S	$(\text{HL}) \leftarrow (\text{HL})+1$	*1	(HL) = 0
		mem	2	2+S	$(\text{mem}) \leftarrow (\text{mem})+1$	*3	(mem) = 0
	DECS	reg	1	1+S	$reg \leftarrow reg-1$		reg = FH
		rp'	2	2+S	$rp' \leftarrow rp'-1$		rp' = FFH



Instruc-tions	Mne-monics	Operand	Bytes	Ma-chine Cyc-les	Operation	Addressing Area	Skip Conditions
Com- pare	SKE	reg, #n4	2	2+S	Skip if reg = n4		reg = n4
		@HL, #n4	2	2+S	Skip if (HL) = n4	*1	(HL) = n4
		A, @HL	1	1+S	Skip if A = (HL)	*1	A = (HL)
		XA, @HL	2	2+S	Skip if XA = (HL)	*1	XA = (HL)
		A, reg	2	2+S	Skip if A = reg		A = reg
		XA, rp'	2	2+S	Skip if XA = rp'		XA = rp'
Carry flag	SET1	CY	1	1	CY ← 1		
	CLR1	CY	1	1	CY ← 0		
Manipu- lation	SKT	CY	1	1+S	Skip if CY = 1		CY = 1
	NOT1	CY	1	1	CY ← $\overline{CY}$		
Memory/ Bit Manipu- lation	SET1	mem.bit	2	2	(mem.bit) ← 1	*3	
		fmem.bit	2	2	(fmem.bit) ← 1	*4	
		pmem.@L	2	2	(pmem <sub>7-2</sub> + L <sub>3-2</sub> .bit(L <sub>1-0</sub> )) ← 1	*5	
		@H+mem.bit	2	2	(H + mem <sub>3-0</sub> .bit) ← 1	*1	
	CLR1	mem.bit	2	2	(mem.bit) ← 0	*3	
		fmem.bit	2	2	(fmem.bit) ← 0	*4	
		pmem.@L	2	2	(pmem <sub>7-2</sub> + L <sub>3-2</sub> .bit(L <sub>1-0</sub> )) ← 0	*5	
		@H+mem.bit	2	2	(H+mem <sub>3-0</sub> .bit) ← 0	*1	
	SKT	mem.bit	2	2+S	Skip if (mem.bit) = 1	*3	(mem.bit) = 1
		fmem.bit	2	2+S	Skip if (fmem.bit) = 1	*4	(fmem.bit) = 1
		pmem.@L	2	2+S	Skip if (pmem <sub>7-2</sub> +L <sub>3-2</sub> .bit(L <sub>1-0</sub> )) = 1	*5	(pmem.@L) = 1
		@H+mem.bit	2	2+S	Skip if (H + mem <sub>3-0</sub> .bit) = 1	*1	(@H+mem.bit) = 1
	SKF	mem.bit	2	2+S	Skip if (mem.bit) = 0	*3	(mem.bit) = 0
		fmem.bit	2	2+S	Skip if (fmem.bit) = 0	*4	(fmem.bit) = 0
		pmem.@L	2	2+S	Skip if (pmem <sub>7-2</sub> +L <sub>3-2</sub> .bit(L <sub>1-0</sub> )) = 0	*5	(pmem.@L) = 0
		@H+mem.bit	2	2+S	Skip if (H + mem <sub>3-0</sub> .bit) = 0	*1	(@H+mem.bit) = 0
	SKTCLR	fmem.bit	2	2+S	Skip if (fmem.bit) = 1 and clear	*4	(fmem.bit) = 1
		pmem.@L	2	2+S	Skip if (pmem <sub>7-2</sub> +L <sub>3-2</sub> .bit(L <sub>1-0</sub> )) = 1 and clear	*5	(pmem.@L) = 1
		@H+mem.bit	2	2+S	Skip if (H+mem <sub>3-0</sub> .bit) = 1 and clear	*1	(@H+mem.bit) = 1
	AND1	CY,fmem.bit	2	2	CY ← CY ∧ (fmem.bit)	*4	
		CY,pmem.@L	2	2	CY ← CY ∧ (pmem <sub>7-2</sub> +L <sub>3-2</sub> .bit(L <sub>1-0</sub> ))	*5	
		CY,@H+mem.bit	2	2	CY ← CY ∧ (H+mem <sub>3-0</sub> .bit)	*1	
	OR1	CY,fmem.bit	2	2	CY ← CY ∨ (fmem.bit)	*4	
		CY,pmem.@L	2	2	CY ← CY ∨ (pmem <sub>7-2</sub> +L <sub>3-2</sub> .bit(L <sub>1-0</sub> ))	*5	
CY,@H+mem.bit		2	2	CY ← CY ∨ (H+mem <sub>3-0</sub> .bit)	*1		
XOR1	CY,fmem.bit	2	2	CY ← CY ⊕ (fmem.bit)	*4		
	CY,pmem.@L	2	2	CY ← CY ⊕ (pmem <sub>7-2</sub> +L <sub>3-2</sub> .bit(L <sub>1-0</sub> ))	*5		
	CY,@H+mem.bit	2	2	CY ← CY ⊕ (H+mem <sub>3-0</sub> .bit)	*1		

Instructions	Mne- monics	Operand	Bytes	Ma- chine Cyc- les	Operation	Addressing Area	Skip Conditions
Branch	BR	addr	—	—	<ul style="list-style-type: none"> <li>• μPD75104</li> <li>PC<sub>11-0</sub> ← addr</li> <li>(The most suitable instruction is selectable from among BRCB ! caddr, and BR \$ addr depending on the assembler.)</li> </ul>	*6	
					<ul style="list-style-type: none"> <li>• μPD75106, 75108</li> <li>PC<sub>12-0</sub> ← addr</li> <li>(The most suitable instruction is selectable from among BR ! addr, BRCB ! caddr, and BR \$ addr depending on the assembler.)</li> </ul>		
		! addr	3	3	<ul style="list-style-type: none"> <li>• μPD75106, 75108</li> <li>PC<sub>12-0</sub> ← addr</li> </ul>	*6	
	\$ addr	1	2	<ul style="list-style-type: none"> <li>• μPD75104</li> <li>PC<sub>11-0</sub> ← addr</li> </ul>	*7		
				<ul style="list-style-type: none"> <li>• μPD75106, 75108</li> <li>PC<sub>12-0</sub> ← addr</li> </ul>			
	BRCB	! caddr	2	2	<ul style="list-style-type: none"> <li>• μPD75104</li> <li>PC<sub>11-0</sub> ← caddr<sub>11-0</sub></li> </ul>	*8	
<ul style="list-style-type: none"> <li>• μPD75106, 75108</li> <li>PC<sub>12-0</sub> ← PC<sub>12</sub> + caddr<sub>11-0</sub></li> </ul>							
BR	PCDE	2	3	<ul style="list-style-type: none"> <li>• μPD75104</li> <li>PC<sub>11-0</sub> ← PC<sub>11-8</sub> + DE</li> </ul>			
				<ul style="list-style-type: none"> <li>• μPD75106, 75108</li> <li>PC<sub>12-0</sub> ← PC<sub>12-8</sub> + DE</li> </ul>			
	PCXA	2	3	<ul style="list-style-type: none"> <li>• μPD75104</li> <li>PC<sub>11-0</sub> ← PC<sub>11-8</sub> + XA</li> </ul>			
				<ul style="list-style-type: none"> <li>• μPD75106, 75108</li> <li>PC<sub>12-0</sub> ← PC<sub>12-8</sub> + XA</li> </ul>			
Subrou- tine/ Stack Control	CALL	! addr	3	3	<ul style="list-style-type: none"> <li>• μPD75104</li> <li>(SP-4)(SP-1)(SP-2) ← PC<sub>11-0</sub></li> <li>(SP-3) ← MBE, RBE, 0, 0</li> <li>PC<sub>11-0</sub> ← addr, SP ← SP-4</li> </ul>	*6	
					<ul style="list-style-type: none"> <li>• μPD75106, 75108</li> <li>(SP-4)(SP-1)(SP-2) ← PC<sub>11-0</sub></li> <li>(SP-3) ← MBE, RBE, 0, PC<sub>12</sub></li> <li>PC<sub>12-0</sub> ← addr, SP ← SP-4</li> </ul>		

Instructions	Mne- monics	Operand	Bytes	Ma- chine Cyc- les	Operation	Addressing Area	Skip Conditions
Subrou- tine/ Stack Control (Cont'd)	CALLF	! faddr	2	2	<ul style="list-style-type: none"> <li>• μPD75104 (SP-4)(SP-1)(SP-2) ← PC<sub>11-0</sub> (SP-3) ← MBE, RBE, 0, 0 PC<sub>11-0</sub> ← 0, faddr, SP ← SP-4</li> </ul>	*9	
					<ul style="list-style-type: none"> <li>• μPD75106, 75108 (SP-4)(SP-1)(SP-2) ← PC<sub>11-0</sub> (SP-3) ← MBE, RBE, 0, PC<sub>12</sub> PC<sub>12-0</sub> ← 00, faddr, SP ← SP-4</li> </ul>		
	RET		1	3	<ul style="list-style-type: none"> <li>• μPD75104 MBE, RBE, x, x ← (SP+1) PC<sub>11-0</sub> ← (SP)(SP+3)(SP+2) SP ← SP+4</li> </ul>		
					<ul style="list-style-type: none"> <li>• μPD75106, 75108 MBE, RBE, x, PC<sub>12</sub> ← (SP+1) PC<sub>11-0</sub> ← (SP)(SP+3)(SP+2) SP ← SP+4</li> </ul>		
RETS			1	3+S	<ul style="list-style-type: none"> <li>• μPD75104 MBE, RBE, x, x ← (SP+1) PC<sub>11-0</sub> ← (SP)(SP+3)(SP+2) SP ← SP+4, then skip unconditionally</li> </ul>		Unconditioned
					<ul style="list-style-type: none"> <li>• μPD75106, 75108 MBE, RBE, x, PC<sub>12</sub> ← (SP+1) PC<sub>11-0</sub> ← (SP)(SP+3)(SP+2) SP ← SP+4, then skip unconditionally</li> </ul>		
RETI			1	3	<ul style="list-style-type: none"> <li>• μPD75104 MBE, RBE, x, x ← (SP+1) PC<sub>11-0</sub> ← (SP)(SP+3)(SP+2) PSW ← (SP+4)(SP+5), SP ← SP+6</li> </ul>		
					<ul style="list-style-type: none"> <li>• μPD75106, 75108 MBE, RBE, x, PC<sub>12</sub> ← (SP+1) PC<sub>11-0</sub> ← (SP)(SP+3)(SP+2) PSW ← (SP+4)(SP+5), SP ← SP+6</li> </ul>		
PUSH	rp		1	1	(SP-1)(SP-2) ← rp, SP ← SP-2		
	BS		2	2	(SP-1) ← MBS, (SP-2) ← RBS, SP ← SP-2		
POP	rp		1	1	rp ← (SP+1)(SP), SP ← SP+2		
	BS		2	2	MBS ← (SP+1), RBS ← (SP), SP ← SP+2		

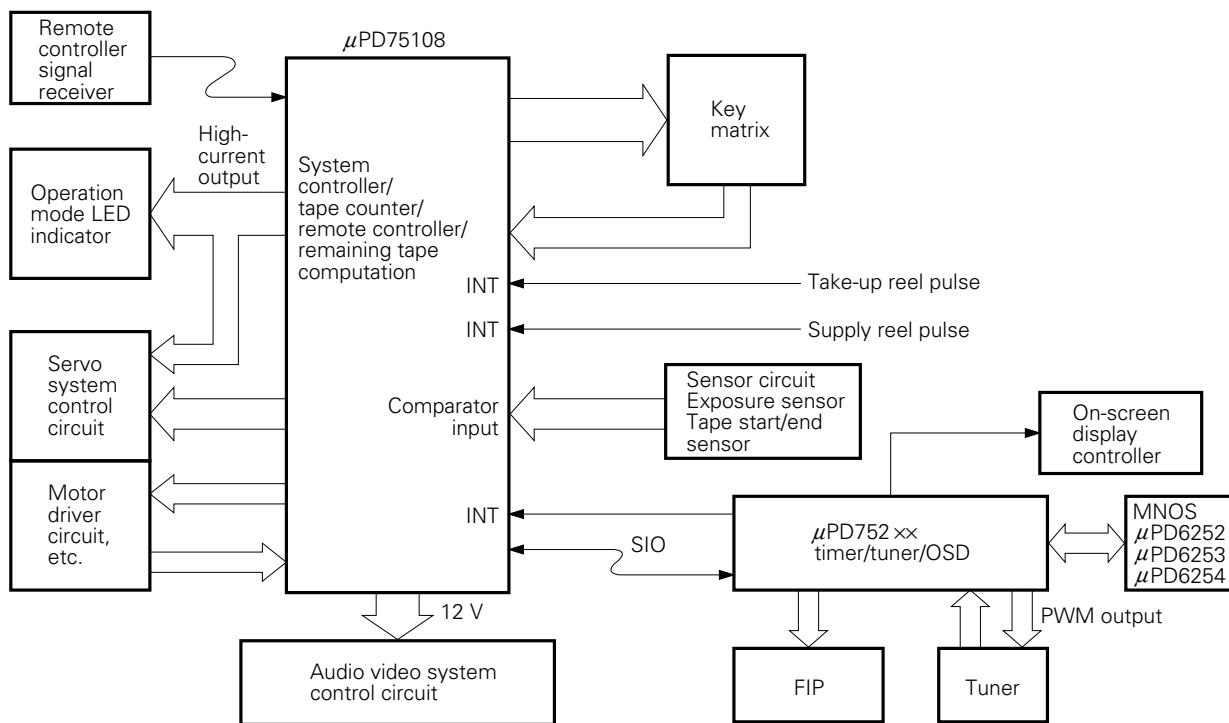
Instructions	Mne- monics	Operand	Bytes	Ma- chine Cyc- les	Operation	Addressing Area	Skip Conditions	
Inter- rupt Control	EI		2	2	IME (IPS.3) ← 1			
		IExxx	2	2	IExxx ← 1			
	DI		2	2	IME (IPS.3) ← 0			
		IExxx	2	2	IExxx ← 0			
I/O	IN*	A, PORT <sub>n</sub>	2	2	A ← PORT <sub>n</sub> (n = 0-9, 12-14)			
		XA, PORT <sub>n</sub>	2	2	XA ← PORT <sub>n+1</sub> , PORT <sub>n</sub> (n = 4, 6, 8, 12)			
	OUT*	PORT <sub>n</sub> , A	2	2	PORT <sub>n</sub> ← A (n = 2-9, 12-14)			
		PORT <sub>n</sub> , XA	2	2	PORT <sub>n+1</sub> , PORT <sub>n</sub> ← XA (n = 4, 6, 8, 12)			
CPU Control	HALT		2	2	Set HALT Mode (PCC.2 ← 1)			
	STOP		2	2	Set STOP Mode (PCC.3 ← 1)			
	NOP		1	1	No Operation			
Special	SEL	RB <sub>n</sub>	2	2	RBS ← n (n = 0-3)			
		MB <sub>n</sub>	2	2	MBS ← n (n = 0, 1, 15)			
	GETI	taddr	1	3	<ul style="list-style-type: none"> <li>• μPD75104</li> <li>• Where TBR instruction, PC<sub>11-0</sub> ← (taddr)<sub>3-0</sub>+(taddr+1)</li> </ul>	*10	<ul style="list-style-type: none"> <li>• Where TCALL instruction, (SP-4)(SP-1)(SP-2) ← PC<sub>11-0</sub> (SP-3) ← MBE, RBE, 0, 0 PC<sub>11-0</sub> ← (taddr)<sub>3-0</sub>+(taddr+1) SP ← SP-4</li> <li>• Except for TBR and TCALL instructions, Instruction execution of (taddr)(taddr+1)</li> </ul>	Depends on referenced instruction
					<ul style="list-style-type: none"> <li>• μPD75106, 75108</li> <li>• Where TBR instruction, PC<sub>12-0</sub> ← (taddr)<sub>4-0</sub>+(taddr+1)</li> </ul>			Depends on referenced instruction
					<ul style="list-style-type: none"> <li>• Where TCALL instruction, (SP-4)(SP-1)(SP-2) ← PC<sub>11-0</sub> (SP-3) ← MBE, RBE, 0, PC<sub>12</sub> PC<sub>12-0</sub> ← (taddr)<sub>4-0</sub>+(taddr+1) SP ← SP-4</li> <li>• Except for TBR and TCALL instructions, Instruction execution of (taddr)(taddr+1)</li> </ul>			Depends on referenced instruction

\*: When executing the IN/OUT instruction, MBE = 0, or MBE = 1, and MBS = 15.

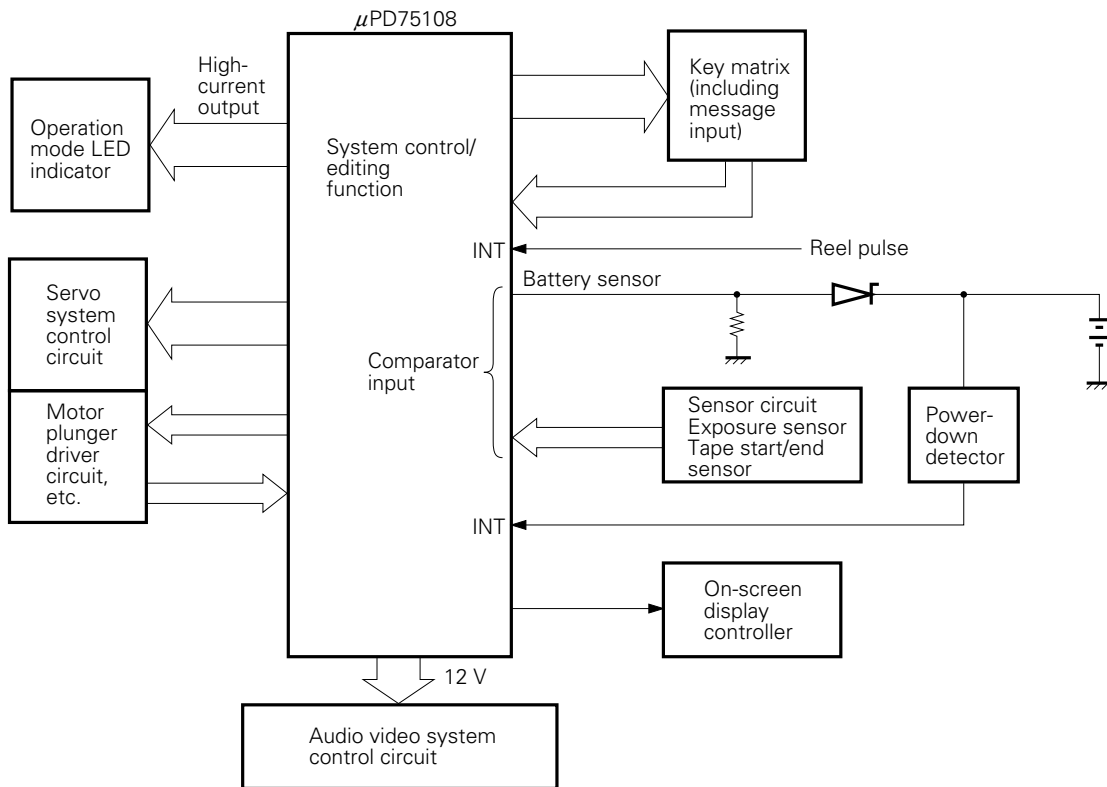
★ **Remarks:** TBR and TCALL instructions are assembler instructions for GETI instruction table definition.

10. APPLICATION EXAMPLES

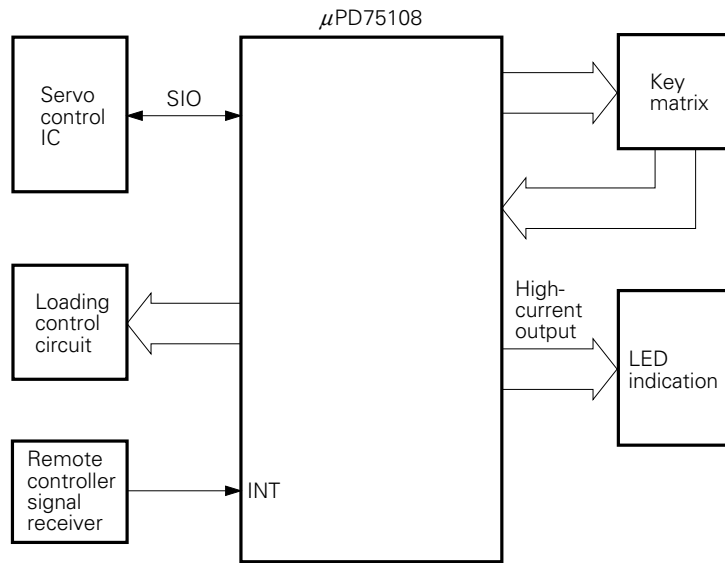
10.1 VTR SYSTEM CONTROLLER



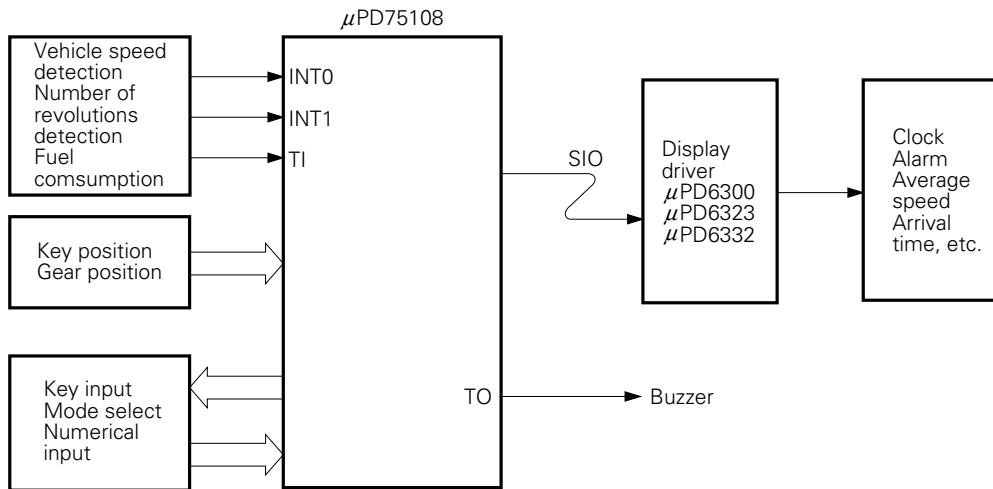
10.2 VTR CAMERA



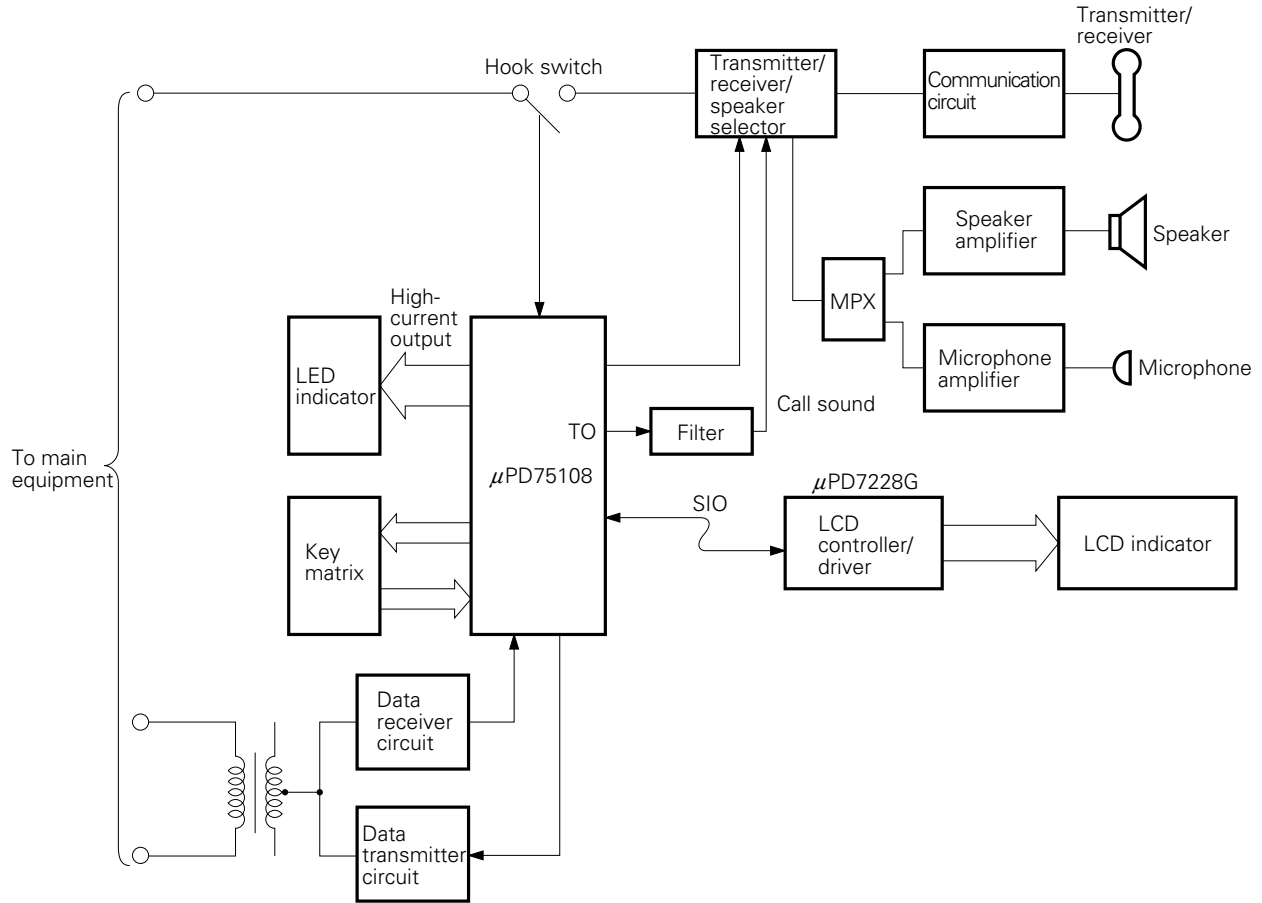
**10.3 COMPACT DISC PLAYER**



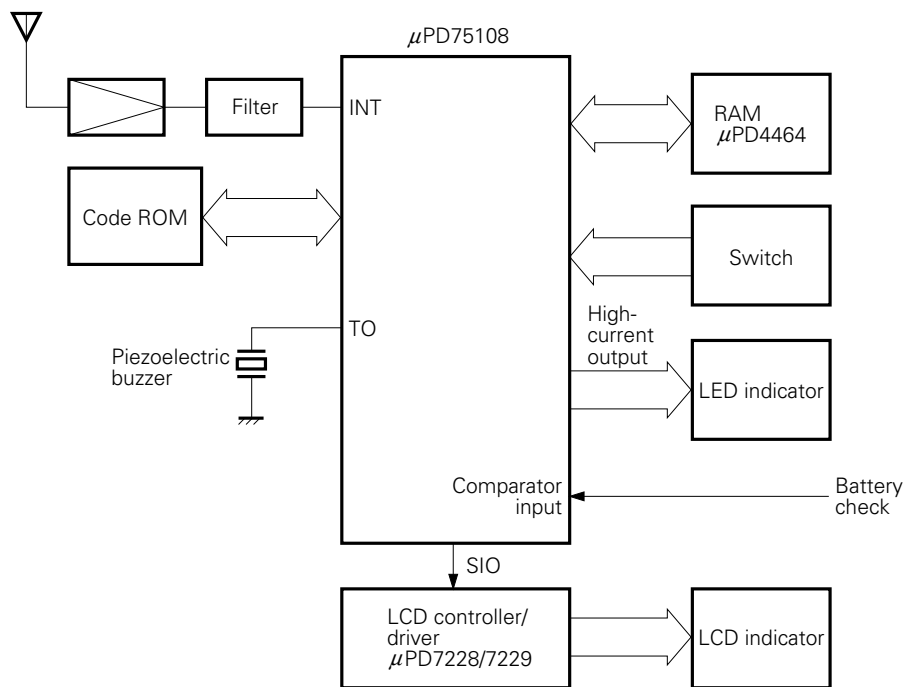
**10.4 AUTOMOBILE APPLICATIONS (TRIP COMPUTER)**



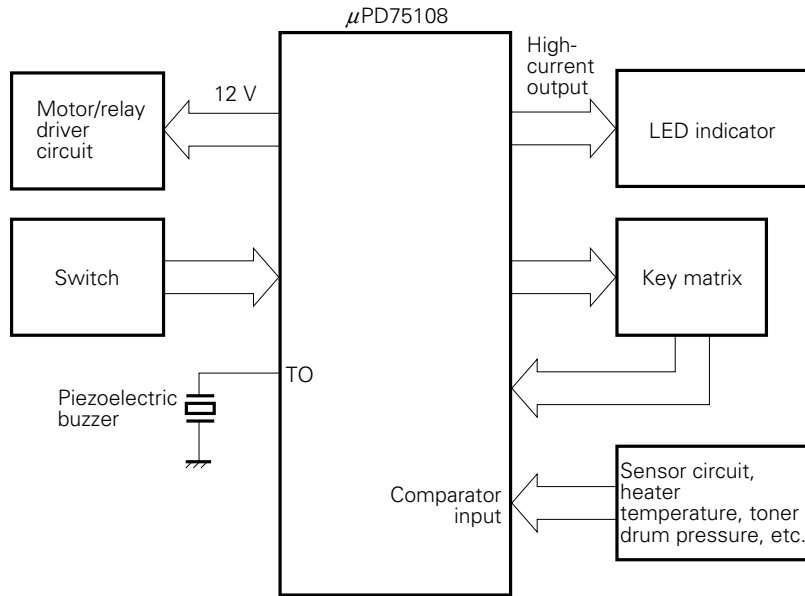
**10.5 PUSHBUTTON TELEPHONE**



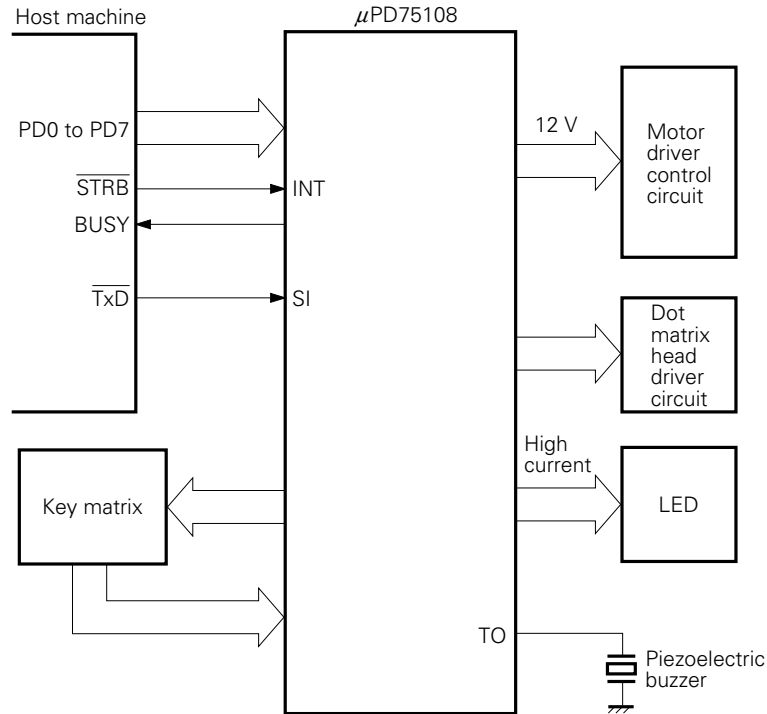
**10.6 DISPLAY PAGER**



**10.7 PLAIN PAPER COPIER (PPC)**



**10.8 PRINTER CONTROLLER**





**11. MASK OPTION SELECTION**

μPD75108 has the following mask options. Options to be built in can be selected.

(1) Pin

Pin	Mask Option
P120 - P123	Pull-down resistor can be built in bitwise.
P130 - P133	
P140 - P143	

(2) Power-ON reset generation circuit, power-ON flag (PONF)

One from the following three ways can be selected.

Switching Selection (Refer to Fig. 8-1.)		Power-On Reset Generation Circuit	Power-On Flag (PONF)	Internal Reset Signal (RES)
SWA	SWB			
ON	ON	Provided	Provided	Generates automatically
ON	OFF	Provided	Provided	Not generates autoamtically
OFF	OFF	Not provided	Not provided	—

## 12. ELECTRICAL SPECIFICATIONS

ABSOLUTE MAXIMUM RATINGS ( $T_a = 25^\circ\text{C}$ )

Parameter	Symbol	Conditions		Ratings	Unit
Supply Voltage	$V_{DD}$			-0.3 to +7.0	V
Input Voltage	$V_{I1}$	Other than ports 12, 13, 14		-0.3 to $V_{DD}+0.3$	V
	$V_{I2}^{*1}$	Ports 12 to 14	w/pull-up resistor	-0.3 to $V_{DD}+0.3$	V
			Open drain	-0.3 to +13	V
Output Voltage	$V_o$			-0.3 to $V_{DD}+0.3$	V
High-Level Output Current	$I_{OH}$	1 pin		-15	mA
		All pins		-30	mA
Low-Level Output Current	$I_{OL}^{*2}$	1 pin	Peak	30	mA
			rms	15	mA
		Total of ports 0, 2 to 4, 12 to 14	Peak	100	mA
			rms	60	mA
		Total of ports 5 to 9	Peak	100	mA
			rms	60	mA
Operating Temperature	$T_{opt}$			-40 to +85	$^\circ\text{C}$
Storage Temperature	$T_{stg}$			-65 to +150	$^\circ\text{C}$

\*1: The power supply impedance (pull-up resistance) must be 50 k $\Omega$  or higher when a voltage higher than 10 V is applied to ports 12, 13, and 14.

2: rms = Peak value  $\times \sqrt{\text{Duty}}$

**OSCILLATOR CIRCUIT CHARACTERISTICS**

(T<sub>a</sub> = -40 to +85°C, V<sub>DD</sub> = 2.7 to 6.0 V)

Oscillator	Recommended Constants	Item	Conditions	MIN.	TYP.	MAX.	Unit
Ceramic		Oscillation frequency(f <sub>xx</sub> )*1	V <sub>DD</sub> = Oscillation voltage range	2.0		5.0*3	MHz
		Oscillation stabilization time*2	After V <sub>DD</sub> come to MIN. of oscillation voltage range			4	ms
Crystal		Oscillation frequency (f <sub>xx</sub> )*1		2.0	4.19	5.0*3	MHz
		Oscillation stabilization time*2	V <sub>DD</sub> = 4.5 to 6.0 V			10	ms
External Clock		X1 input frequency (f <sub>x</sub> )*1		2.0		5.0*3	MHz
		X1 input high-, low-level widths (t <sub>xH</sub> , t <sub>xL</sub> )		100		250	ns

\*1: The oscillation frequency and X1 input frequency are indicated only to express the characteristics of the oscillator circuit. For instruction execution time, refer to AC Characteristics.

2: Time required for oscillation to stabilize after V<sub>DD</sub> has come to MIN. of oscillation voltage range or the STOP mode has been released.

3: When the oscillation frequency is 4.19 MHz < f<sub>x</sub> ≤ 5.0 MHz, do not select PCC = 0011 as the instruction execution time: otherwise, one machine cycle is set to less than 0.95 μs, falling short of the rated minimum value of 0.95 μs. ★

**Note:** When using the oscillation circuit of the system clock, wire the portion enclosed in dotted line in the figures as follows to avoid adverse influences on the wiring capacity: ★

- Keep the wiring length as short as possible.
- Do not cross the wiring over the other signal lines. Also, do not route the wiring in the vicinity of lines through which a high alternating current flows.
- Always keep the ground point of the capacitor of the oscillator circuit at the same potential as V<sub>SS</sub>. Do not connect the ground pattern through which a high current flows.
- Do not extract signals from the oscillation circuit.

**RECOMMENDED OSCILLATOR CIRCUITS CONSTANTS**

**RECOMMENDED CERAMIC OSCILLATORS**

Manufacturer	Product Name	External Capacitance (pF)		Oscillation Voltage Range (V)	
		C1	C2	MIN.	MAX.
Murata Mfg. Co., Ltd.	CSA 2.00MG	30	30	2.7	6.0
	CSA 4.19MG	30	30	3.0	6.0
	CSA 4.19MGU	30	30	2.7	6.0
	CST 4.19T	Provided	Provided	3.0	6.0
Kyoto Ceramic Co., Ltd.	KBR-2.0MS	100	100	3.0	6.0
	KBR-4.0MS	33	33	3.0	6.0
	KBR-4.19MS	33	33	3.0	6.0
	KBR-4.9152M	33	33	3.0	6.0

**RECOMMENDED CRYSTAL OSCILLATOR**

Manufacturer	Product Name	External Capacitance (pF)		Oscillation Voltage Range (V)	
		C1	C2	MIN.	MAX.
Kinseki	HC-49/U	22	22	2.7	6.0

**DC CHARACTERISTICS** ( $T_a = -40$  to  $+85^\circ\text{C}$ ,  $V_{DD} = 2.7$  to  $6.0$  V)

Item	Symbol	Conditions		MIN.	TYP.	MAX.	Unit	
High-Level Input Voltage	$V_{IH1}$	Other than below		$0.7V_{DD}$		$V_{DD}$	V	
	$V_{IH2}$	Ports 0, 1, TIO, 1, RESET		$0.8 V_{DD}$		$V_{DD}$	V	
	$V_{IH3}$	Ports 12 to 14	Pull-up resistor	$0.7 V_{DD}$		$V_{DD}$	V	
			Open drain	$0.7 V_{DD}$		12	V	
$V_{IH4}$	X1, X2		$V_{DD}-0.5$		$V_{DD}$	V		
Low-Level Input Voltage	$V_{IL1}$	Other than below		0		$0.3 V_{DD}$	V	
	$V_{IL2}$	Ports 0, 1, TIO, 1, RESET		0		$0.2 V_{DD}$	V	
	$V_{IL3}$	X1, X2		0		0.4	V	
High-Level Output Voltage	$V_{OH}$	$V_{DD} = 4.5$ to $6.0$ V, $I_{OH} = -1$ mA		$V_{DD}-1.0$			V	
		$I_{OH} = -100 \mu\text{A}$		$V_{DD}-0.5$			V	
Low-Level Output Voltage	$V_{OL}$	$V_{DD} = 4.5$ to $6.0$ V	Ports 0, 2 to 9, $I_{OL} = 15$ mA		0.35	2.0	V	
			Ports 12 to 14, $I_{OL} = 10$ mA		0.35	2.0	V	
		$V_{DD} = 4.5$ to $6.0$ V, $I_{OL} = 1.6$ mA				0.4	V	
		$I_{OL} = 400 \mu\text{A}$				0.5	V	
High-Level Input Leakage Current	$I_{LIH1}$	$V_{IN} = V_{DD}$	Other than below			3	$\mu\text{A}$	
	$I_{LIH2}$		X1, X2			20	$\mu\text{A}$	
	$I_{LIH3}$	$V_{IN} = 12$ V	Ports 12 to 14 (open drain)			20	$\mu\text{A}$	
Low-Level Input Leakage Current	$I_{LIL1}$	$V_{IN} = 0$ V	Other than X1, X2			-3	$\mu\text{A}$	
	$I_{LIL2}$		X1, X2			-20	$\mu\text{A}$	
High-Level Output Leakage Current	$I_{LOH1}$	$V_{OUT} = V_{DD}$	Other than below			3	$\mu\text{A}$	
	$I_{LOH2}$	$V_{OUT} = 12$ V	Ports 12 to 14 (open drain)			20	$\mu\text{A}$	
Low-Level Output Leakage Current	$I_{LOL}$	$V_{OUT} = 0$ V				-3	$\mu\text{A}$	
Internal Pull-Up Resistor*1	$R_L$	Ports 12 to 14	$V_{DD} = 5 V \pm 10\%$	15	40	70	k $\Omega$	
				10		80	k $\Omega$	
Supply Current*1	$I_{DD1}$	4.19MHz crystal oscillator	$V_{DD} = 5 V \pm 10\%$ *2		3	9	mA	
			$V_{DD} = 3 V \pm 10\%$ *3		0.55	1.5	mA	
	$I_{DD2}$	C1 = C2 = 22pF	HALT mode	$V_{DD} = 5 V \pm 10\%$		600	1800	$\mu\text{A}$
				$V_{DD} = 3 \pm 10\%$		200	600	$\mu\text{A}$
	$I_{DD3}$	STOP mode, $V_{DD} = 3 V \pm 10\%$			0.1	10	$\mu\text{A}$	

\*1: The current flowing into the internal pull-up resistor, power-ON reset circuit (mask option), and comparator circuit is not included.

2: When the high-speed mode is set by setting the processor clock control register (PCC) to 0011.

3: When the low-speed mode is set by setting the PCC to 0000.

**CAPACITANCE** ( $T_a = 25^\circ\text{C}$ ,  $V_{DD} = 0\text{ V}$ )

Parameter	Symbol	Conditions	MIN.	TYP.	MAX.	Unit
Input Capacitance	$C_{IN}$	$f = 1\text{ MHz}$			15	pF
Output Capacitance	$C_{OUT}$	Pins other than those measured are at 0 V			15	pF
Input/Output Capacitance	$C_{IO}$				15	pF

**COMPARATOR CHARACTERISTICS** ( $T_a = -40\text{ to }+85^\circ\text{C}$ ,  $V_{DD} = 4.5\text{ to }6.0\text{ V}$ )

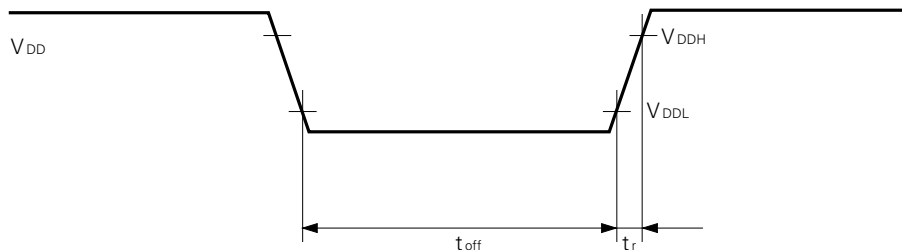
Parameter	Symbol	Conditions	MIN.	TYP.	MAX.	Unit
Comparison Accuracy	$V_{ACOMP}$				$\pm 100$	mV
Threshold Voltage	$V_{TH}$		0		$V_{DD}$	V
PTH Input voltage	$V_{IPTH}$		0		$V_{DD}$	V
Comparator circuit current dissipation		PTHM7 is set to "1"		1		mA

**POWER-ON RESET CIRCUIT CHARACTERISTICS (MASK OPTION)** ( $T_a = -40\text{ to }+85^\circ\text{C}$ )

Parameter	Symbol	Conditions	MIN.	TYP.	MAX.	Unit
Power-On Reset High-Level Operating Voltage	$V_{DDH}$		4.5		6.0	V
Power-On Reset Low-Level Operating Voltage	$V_{DDL}$		0		0.2	V
Supply Voltage Rise Time	$t_r$		10		*1	$\mu\text{s}$
Supply Voltage Off Time	$t_{off}$		1			s
Power-On Reset Circuit Current Dissipation*2	$I_{DDPR}$	$V_{DD} = 5\text{ V} \pm 10\%$		10	100	$\mu\text{A}$
		$V_{DD} = 2.5\text{ V}$		2	20	$\mu\text{A}$

\*1:  $2^{17}/f_{XX}$  (31.3 ms at  $f_{XX} = 4.19\text{ MHz}$ )

2: Current flowing when power-ON reset circuit or power-ON Flag is incorporated.

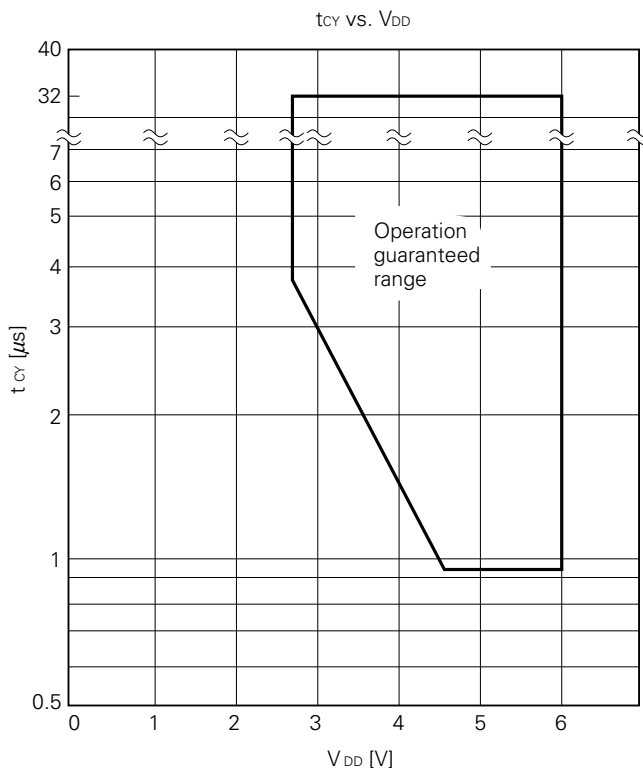


**Note:** Apply power gradually and smoothly.

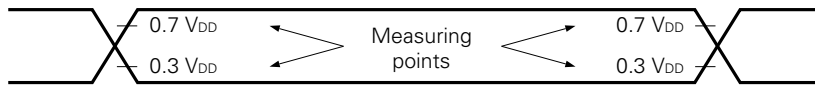
**AC CHARACTERISTICS** ( $T_a = -40$  to  $+85^{\circ}\text{C}$ ,  $V_{DD} = 2.7$  to  $6.0$  V)

Parameter	Symbol	Conditions	MIN.	TYP.	MAX.	Unit
CPU Clock Cycle Time* (Minimum Instruction Execution Time = 1 Machine Cycle)	$t_{CY}$	$V_{DD} = 4.5$ to $6.0$ V	0.95		32	$\mu\text{s}$
			3.8		32	$\mu\text{s}$
TIO, T11 Input Frequency	$f_{TI}$	$V_{DD} = 4.5$ to $6.0$ V	0		1	MHz
			0		275	kHz
TIO, T11 Input High-/Low-Level Width	$t_{TIH}$ , $t_{TIL}$	$V_{DD} = 4.5$ to $6.0$ V	0.48			$\mu\text{s}$
			1.8			$\mu\text{s}$
$\overline{\text{SCK}}$ Cycle Time	$t_{KCY}$	$V_{DD} = 4.5$ to $6.0$ V	Input	0.8		$\mu\text{s}$
			Output	0.95		$\mu\text{s}$
			Input	3.2		$\mu\text{s}$
			Output	3.8		$\mu\text{s}$
$\overline{\text{SCK}}$ High-/Low-Level Width	$t_{KH}$ , $t_{KL}$	$V_{DD} = 4.5$ to $6.0$ V	Input	0.4		$\mu\text{s}$
			Output	$t_{KCY}/2-50$		ns
			Input	1.6		$\mu\text{s}$
			Output	$t_{KCY}/2-150$		ns
SI Setup Time (vs. $\overline{\text{SCK}}\uparrow$ )	$t_{SIK}$		100			ns
SI Hold Time (vs. $\overline{\text{SCK}}\uparrow$ )	$t_{KSI}$		400			ns
$\overline{\text{SCK}} \downarrow \rightarrow \text{SO}$ Output delay Time	$t_{KSO}$	$V_{DD} = 4.5$ to $6.0$ V			300	ns
					1000	ns
INT0 to 4 High-/Low-Level Width	$t_{INTH}$ , $t_{INTL}$		5			$\mu\text{s}$
						$\mu\text{s}$
$\overline{\text{RESET}}$ Low-Level Width	$t_{RSL}$		5			$\mu\text{s}$

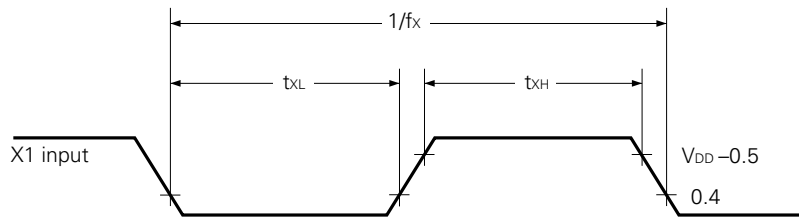
\*: The cycle time of the CPU clock ( $\Phi$ ) is determined by the input frequency of the ceramic or crystal oscillator circuit and the set value of the processor clock control register. The  $t_{CY}$  vs.  $V_{DD}$  characteristics are as shown on the right.



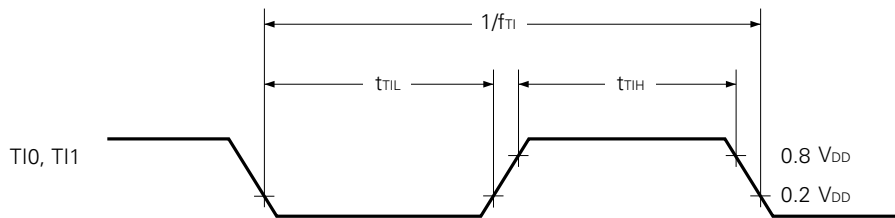
**AC TIMING MEASURING POINTS** (excluding Ports 0, 1, TI0, TI1, X1, X2, and RESET)



**CLOCK TIMING**

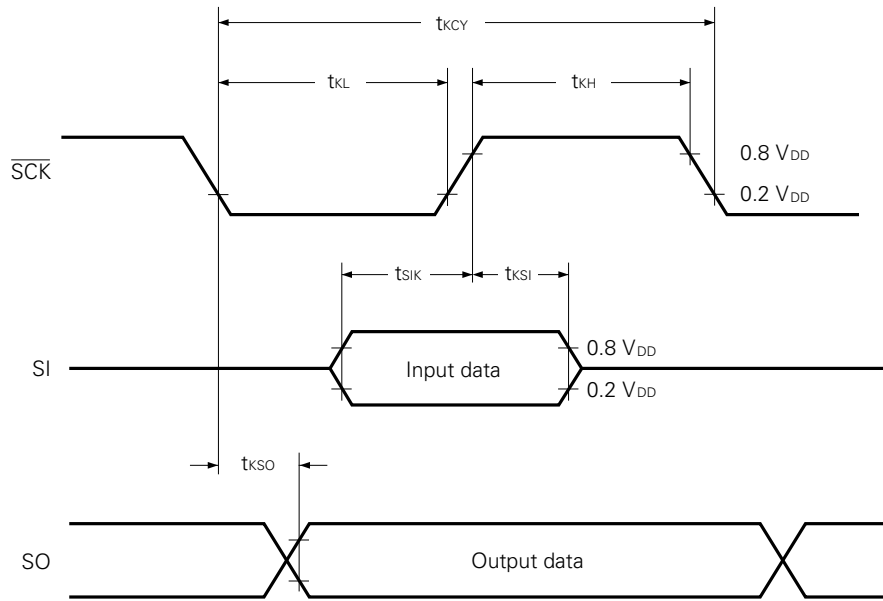


**TI TIMING**

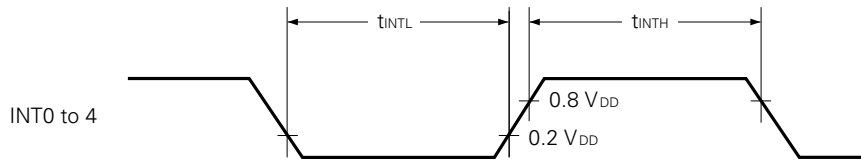




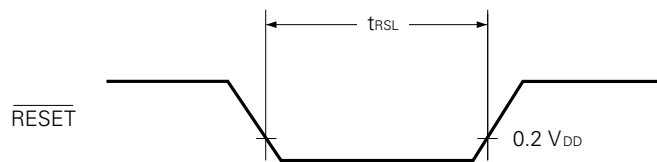
**SERIAL TRANSFER TIMING**



**INTERRUPT INPUT TIMING**



**RESET INPUT TIMING**



**LOW-VOLTAGE DATA RETENTION CHARACTERISTICS OF DATA MEMORY IN STOP MODE**

( $T_a = -40$  to  $+85^\circ\text{C}$ )

Parameter	Symbol	Conditions	MIN.	TYP.	MAX.	Unit
Data Retention Supply Voltage	$V_{DDDR}$		2.0		6.0	V
Data Retention Supply Current*1	$I_{DDDR}$	$V_{DDDR} = 2.0$ V		0.1	10	$\mu\text{A}$
Release Signal Set Time	$t_{SREL}$		0			$\mu\text{s}$
Oscillation Stabilization Wait Time*2	$t_{WAIT}$	Released by $\overline{\text{RESET}}$		$2^{17}/f_x$		ms
		Released by interrupt request		*3		ms

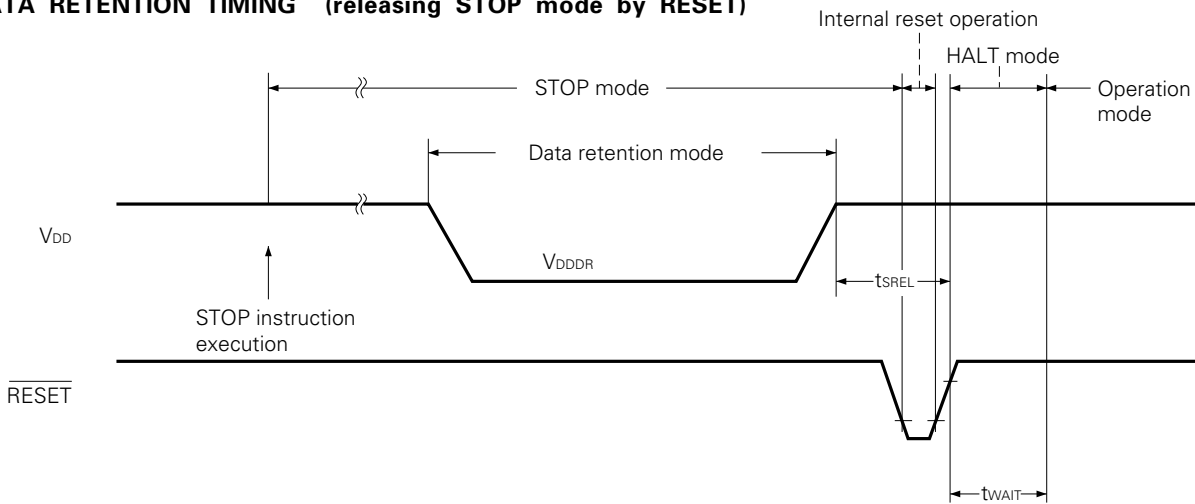
\*1: The current flowing through internal pull-up resistor, power-ON reset circuit (mask option), and comparator circuit is not included

2: The oscillation stabilization wait time is the time during which the CPU is stopped to prevent unstable operation when oscillation is started.

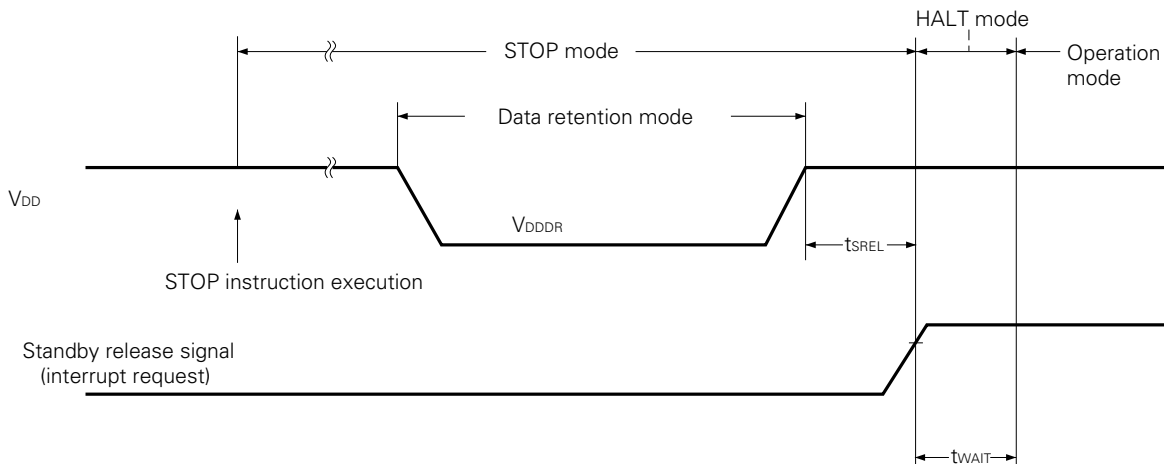
3: Depends on the setting of the basic interval timer mode register (BTM) as follows:

BTM3	BTM2	BTM1	BTM0	Wait time ( ): $f_{xx} = 4.19$ MHz
-	0	0	0	$2^{20}/f_{xx}$ (approx. 250 ms)
-	0	1	1	$2^{17}/f_{xx}$ (approx. 31.3 ms)
-	1	0	1	$2^{15}/f_{xx}$ (approx. 7.82 ms)
-	1	1	1	$2^{13}/f_{xx}$ (approx. 1.95 ms)

**DATA RETENTION TIMING (releasing STOP mode by  $\overline{\text{RESET}}$ )**

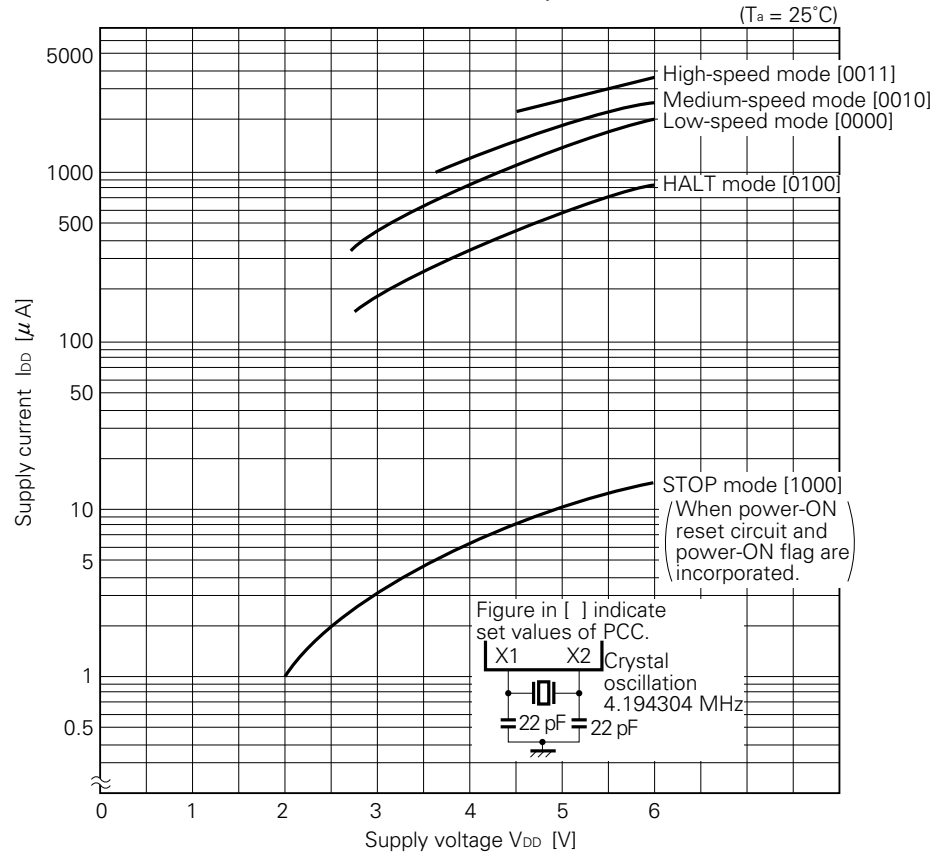


**DATA RETENTION TIMING (standby release signal: releasing STOP mode by interrupt)**

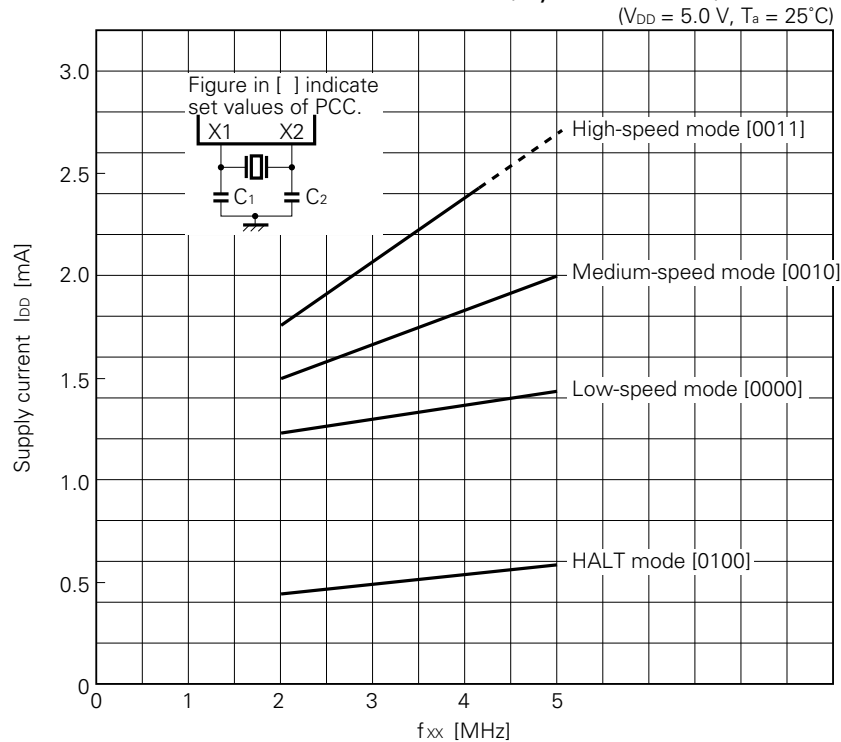


13. CHARACTERISTIC DATA

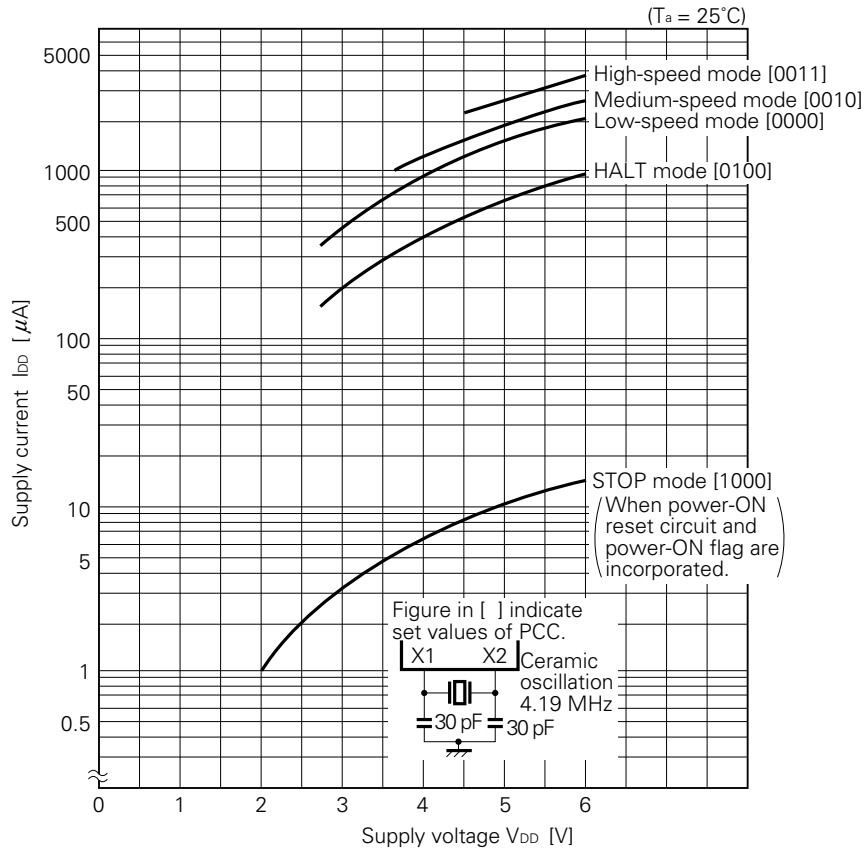
I<sub>DD</sub> vs. V<sub>DD</sub> Characteristics (crystal oscillation)



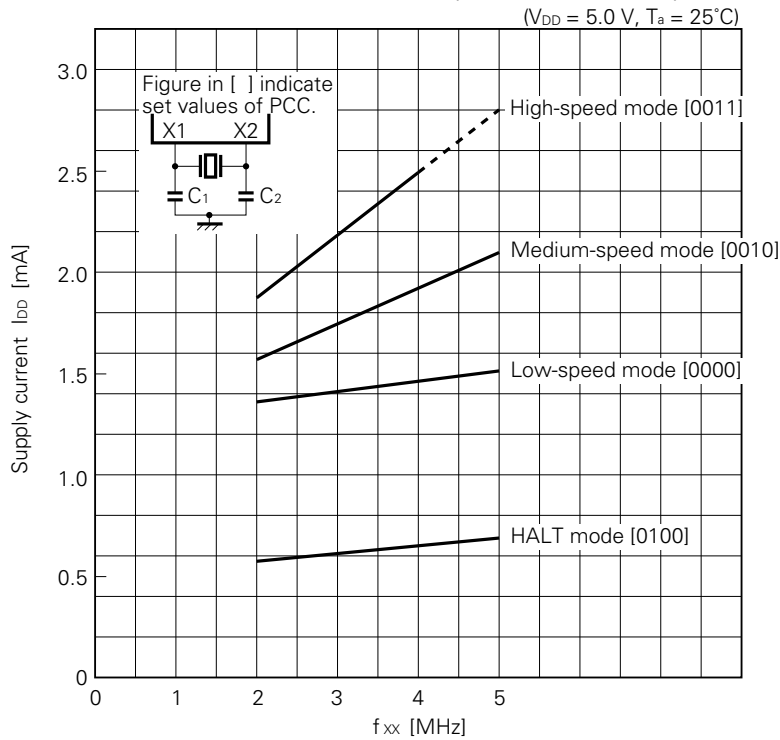
I<sub>DD</sub> vs. f<sub>xx</sub> Characteristics (crystal oscillation)



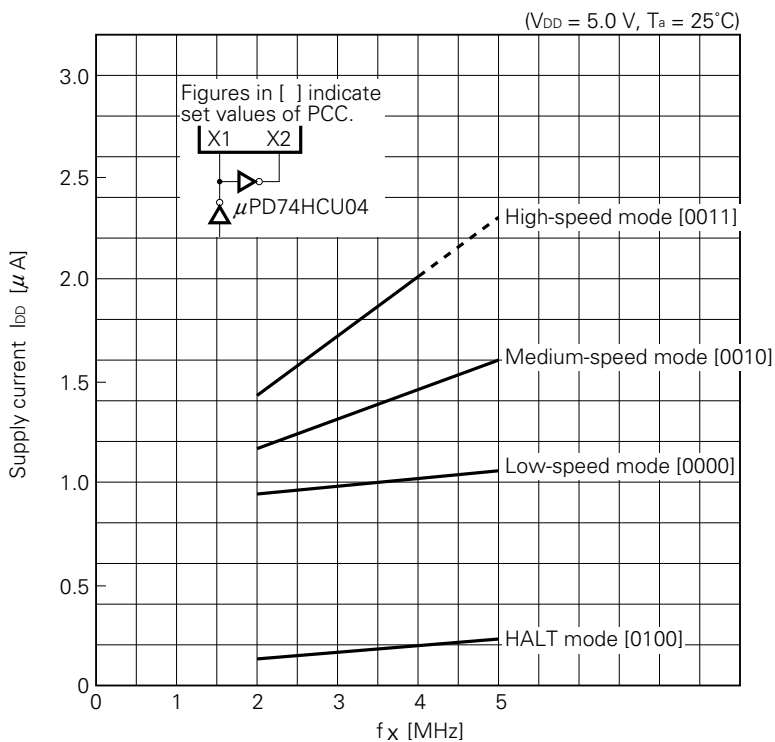
**I<sub>DD</sub> vs. V<sub>DD</sub> Characteristics (ceramic oscillation)**



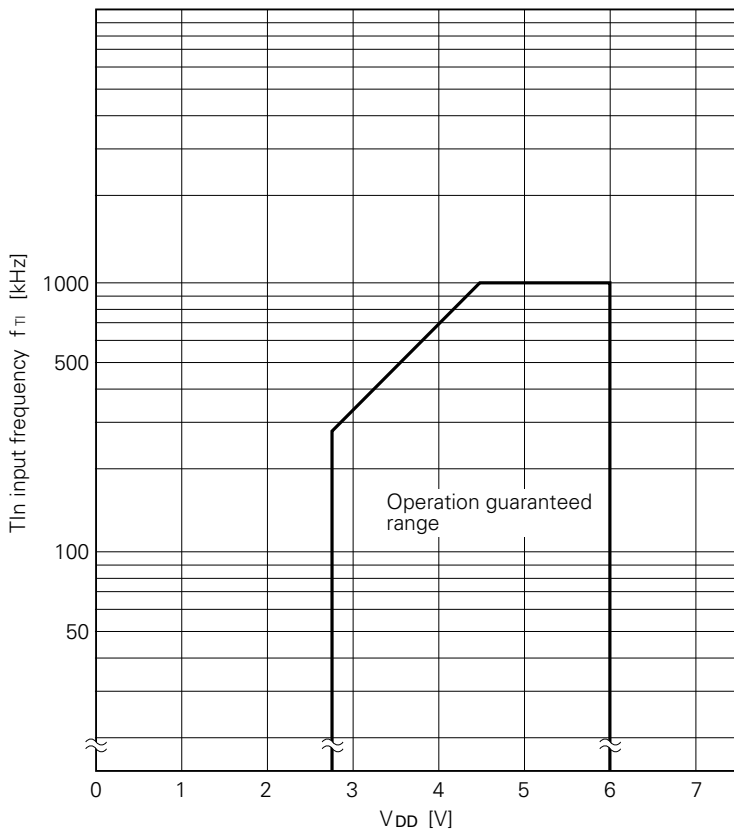
**I<sub>DD</sub> vs. f<sub>xx</sub> Characteristics (ceramic oscillation)**



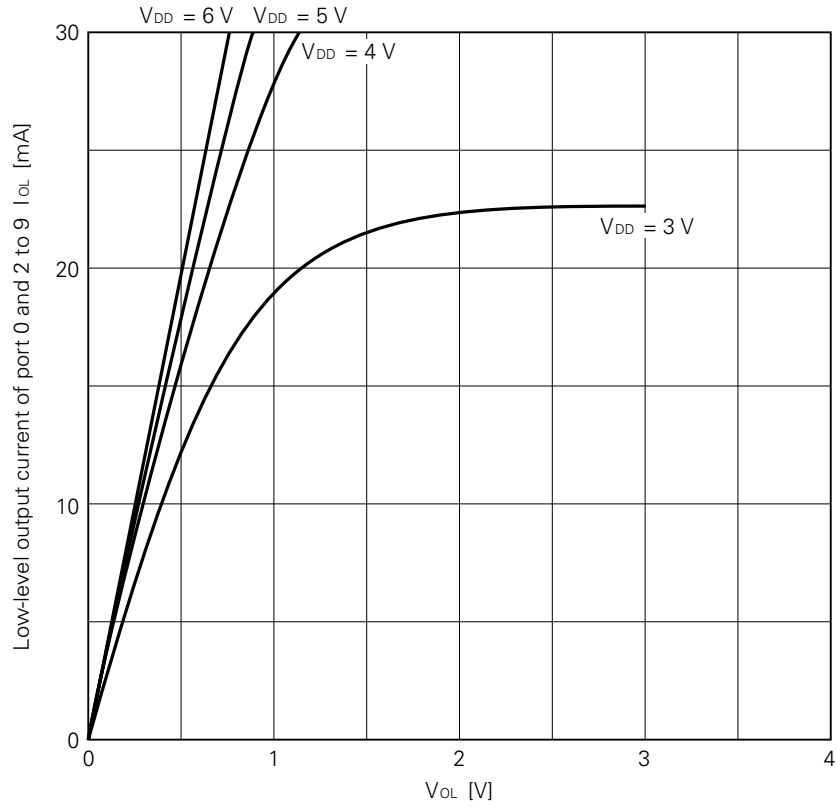
$I_{DD}$  vs.  $f_x$  Characteristics (external clock)



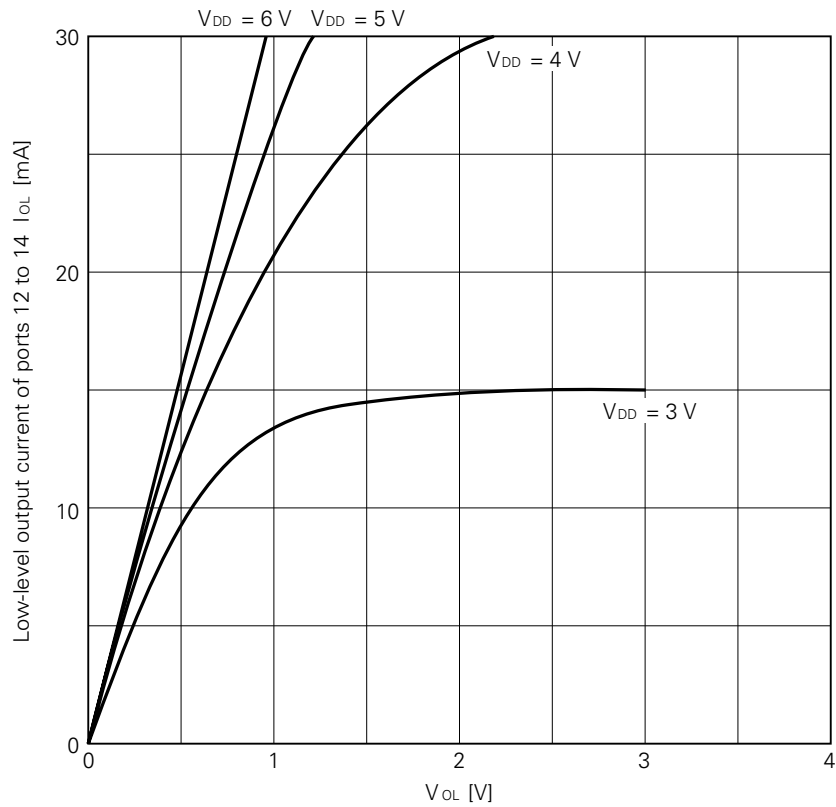
$f_{TI}$  vs.  $V_{DD}$  Characteristics



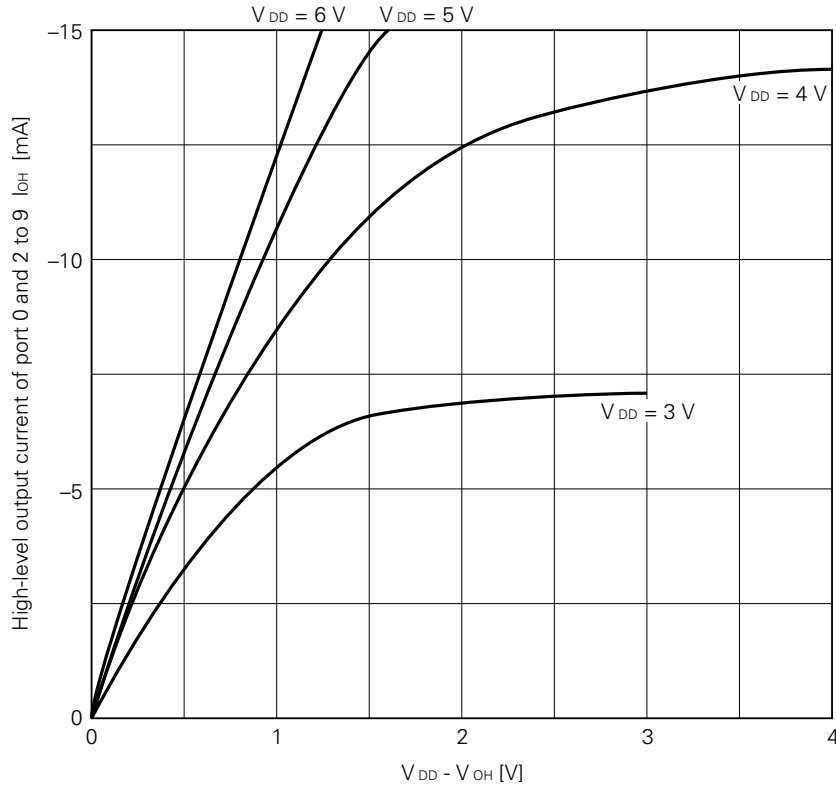
$V_{OL}$  vs.  $I_{OL}$  (Ports 0 and 2 to 9) Characteristics



$V_{OL}$  vs.  $I_{OL}$  (Ports 12 to 14) Characteristics



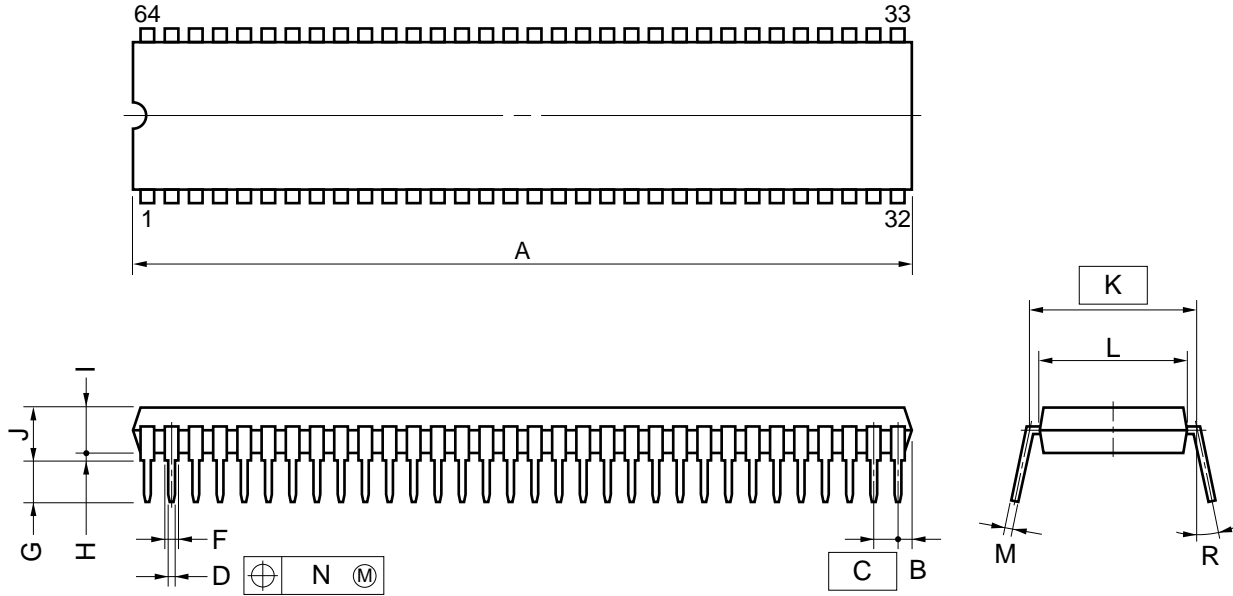
$V_{OH}$  vs.  $I_{OH}$  (Ports 0 and 2 to 9) Characteristics



**Remarks:** Unless otherwise specified, all the characteristic data shown are reference values.

14. PACKAGE DRAWINGS

64 PIN PLASTIC SHRINK DIP (750 mil)



**NOTE**

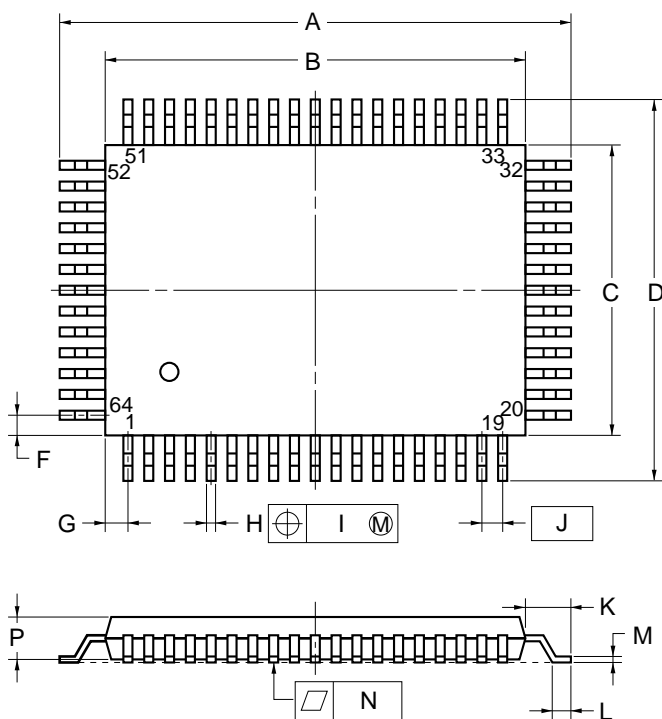
- 1) Each lead centerline is located within 0.17 mm (0.007 inch) of its true position (T.P.) at maximum material condition.
- 2) Item "K" to center of leads when formed parallel.

ITEM	MILLIMETERS	INCHES
A	58.68 MAX.	2.311 MAX.
B	1.78 MAX.	0.070 MAX.
C	1.778 (T.P.)	0.070 (T.P.)
D	0.50±0.10	0.020 <sup>+0.004</sup> <sub>-0.005</sub>
F	0.9 MIN.	0.035 MIN.
G	3.2±0.3	0.126±0.012
H	0.51 MIN.	0.020 MIN.
I	4.31 MAX.	0.170 MAX.
J	5.08 MAX.	0.200 MAX.
K	19.05 (T.P.)	0.750 (T.P.)
L	17.0	0.669
M	0.25 <sup>+0.10</sup> <sub>-0.05</sub>	0.010 <sup>+0.004</sup> <sub>-0.003</sub>
N	0.17	0.007
R	0~15°	0~15°

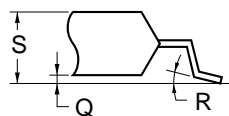
P64C-70-750A,C-1



**64 PIN PLASTIC QFP (14×20)**



detail of lead end



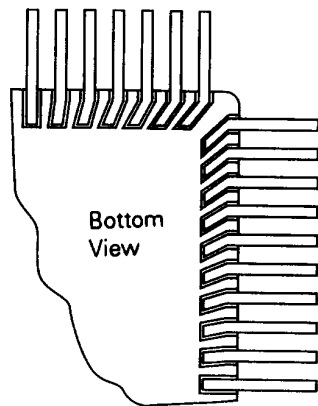
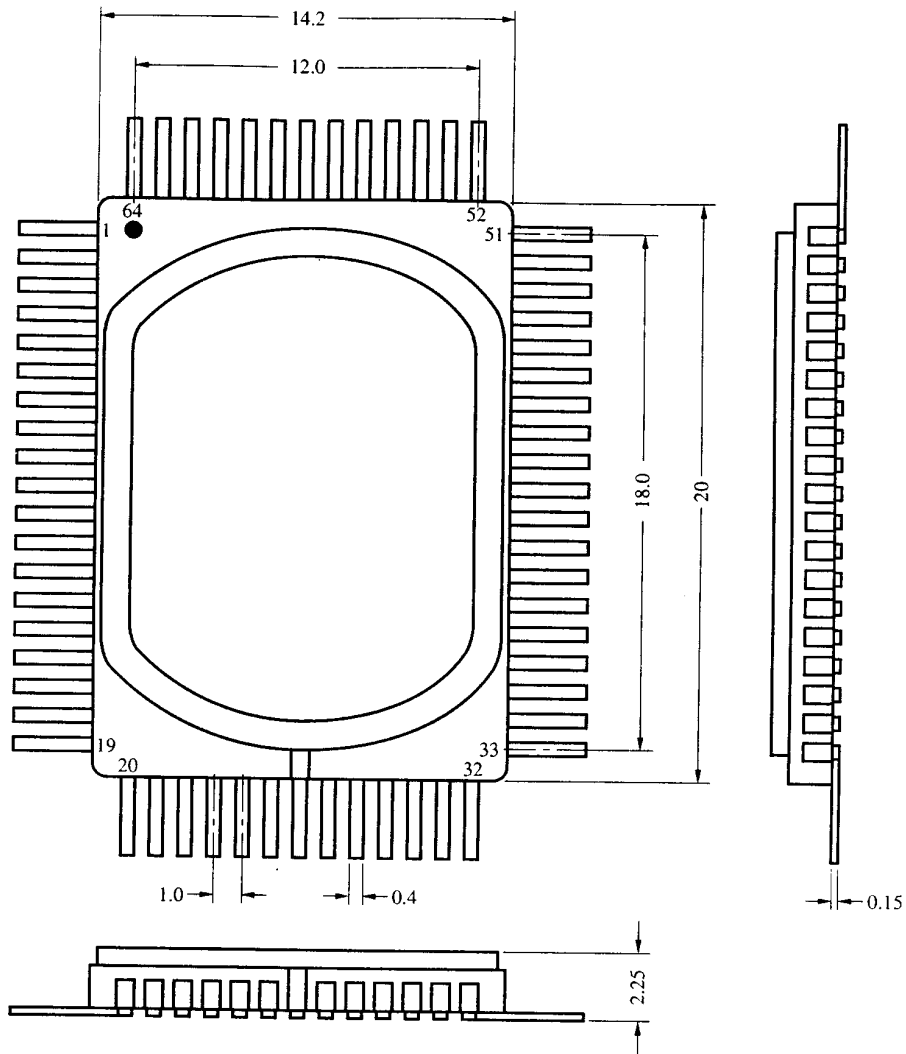
**NOTE**

Each lead centerline is located within 0.20 mm (0.008 inch) of its true position (T.P.) at maximum material condition.

ITEM	MILLIMETERS	INCHES
A	23.6±0.4	0.929±0.016
B	20.0±0.2	0.795 <sup>+0.008</sup> <sub>-0.009</sub>
C	14.0±0.2	0.551 <sup>+0.009</sup> <sub>-0.008</sub>
D	17.6±0.4	0.693±0.016
F	1.0	0.039
G	1.0	0.039
H	0.40±0.10	0.016 <sup>+0.004</sup> <sub>-0.005</sub>
I	0.20	0.008
J	1.0 (T.P.)	0.039 (T.P.)
K	1.8±0.2	0.071 <sup>+0.008</sup> <sub>-0.009</sub>
L	0.8±0.2	0.031 <sup>+0.009</sup> <sub>-0.008</sub>
M	0.15 <sup>+0.10</sup> <sub>-0.05</sub>	0.006 <sup>+0.004</sup> <sub>-0.003</sub>
N	0.10	0.004
P	2.7	0.106
Q	0.1±0.1	0.004±0.004
R	5°±5°	5°±5°
S	3.0 MAX.	0.119 MAX.

P64GF-100-3B8,3BE,3BR-2

**ES 64-Pin Ceramic QFP (Reference) (unit in mm)**



**Note 1.** The metal cap is connected to pin 26, at the V<sub>ss</sub> (GND) level.

**2.** The leads are molded diagonally at the bottom.

**3.** The lead lengths are not specified, as the lead cutting process is not controlled.

**15. RECOMMENDED SOLDERING CONDITIONS**

It is recommended that μPD75104, 75106, and 75108 be soldered under the following conditions.

For details on the recommended soldering conditions, refer to Information Document "Semiconductor Devices Mounting Manual" (IEI-616).

For other soldering methods and conditions, please consult NEC.

**Table 15-1 Soldering Conditions of Surface Mount Type**

μPD75108GF - xxx - 3BE: 64-pin plastic QFP (14 x 20 mm)

Soldering Method	Soldering Conditions	Symbol for Recommended Condition
Infrared Reflow	Package peak temperature: 230°C, time: 30 seconds max. (210°C min.), number of times: 1	IR30-00-1
VPS	Package peak temperature: 215°C, time: 40 seconds max. (200°C min.), number of times: 1	VP15-00-1
Wave Soldering	Soldering bath temperature: 260°C max., time: 10 seconds max., number of times: 1, pre-heating temperature: 120°C max. (package surface temperature)	WS60-00-1
Pin Partial Heating	Pin temperature: 300°C max., time: 3 seconds max. (per side)	—

**Caution: Do not use two or more soldering methods in combination (except the pin partial heating method).**

**Table 15-2 Soldering Conditions of Through-Hole Type**

μPD75108CW - xxx : 64-pin plastic shrink DIP (750 mil)

Soldering Method	Soldering Conditions
Wave Soldering (Only for lead part)	Soldering bath temperature: 260°C max., Time: 10 seconds max.
Pin Partial Heating	Pin temperature: 260°C max., Time: 10 seconds max.

**Caution: The wave soldering must be performed at the lead part only. Note that the solder must not be directly contacted to the package body.**

**APPENDIX A. FUNCTIONAL DIFFERENCES AMONG PRODUCTS IN  $\mu$ PD751XX SERIES**

Item	$\mu$ PD75104	$\mu$ PD75106	$\mu$ PD75108	$\mu$ PD75112	$\mu$ PD75116	$\mu$ PD75104A	$\mu$ PD75108A	$\mu$ PD75108F	$\mu$ PD75112F	$\mu$ PD75116F	$\mu$ PD75P108B	$\mu$ PD75P116
ROM Configuration	Mask ROM										PROM	
ROM (Bits)	000H-FFFH 4096 × 8	0000H-177FH 6016 × 8	0000H-1F7FH 8064 × 8	0000H-2F7FH 12160 × 8	0000H-3F7FH 16256 × 8	000H-FFFH 4096 × 8	0000H-1F7FH 8064 × 8	0000H-1F7FH 8064 × 8	0000H-2F7FH 12160 × 8	0000H-3F7FH 16256 × 8	0000H-1F7FH 8064 × 8	0000H-3F7FH 16256 × 8
RAM (Bits)	320 × 4 (Bank 0: 256 × 4) (Bank 1: 64 × 4)		512 × 4 (Bank 0: 256 × 4) (Bank 1: 256 × 4)			320 × 4 (Bank 0: 256 × 4) (Bank 1: 64 × 4)	512 × 4 (Bank 0: 256 × 4) (Bank 1: 256 × 4)	512 × 4 (Bank 0: 256 × 4) (Bank 1: 256 × 4)				
Instruction Set	High-end (Only $\mu$ PD75104 and 75104A are not provided with BR!addr instruction.)							High end				
I/O Lines	Total	58										
	I/O	<ul style="list-style-type: none"> <li>• CMOS I/O: 32</li> <li>• +12 V open-drain output: 12 (pull-up resistor as mask option)</li> <li>LED direct drive: 44</li> </ul>				<ul style="list-style-type: none"> <li>• CMOS I/O: 32 (pull-up resistor as mask option: 24)</li> <li>• +12 V open-drain output: 12 (pull-up resistor as mask option)</li> <li>LED direct drive: 44</li> </ul>		<ul style="list-style-type: none"> <li>• CMOS I/O: 32</li> <li>• +10 V open-drain output: 12 (pull-up resistor as mask option)</li> <li>LED direct drive: 44</li> </ul>			<ul style="list-style-type: none"> <li>• CMOS I/O: 32</li> <li>• +12 V open-drain output: 12</li> <li>LED direct drive: 44</li> </ul>	
	Input	<ul style="list-style-type: none"> <li>• CMOS input: 10</li> <li>• Comparator input: 4</li> </ul>				<ul style="list-style-type: none"> <li>• CMOS input: 10 (pull-up resistor as mask option: 4)</li> <li>• Comparator input: 44</li> </ul>		<ul style="list-style-type: none"> <li>• CMOS input: 10</li> <li>• Comparator input: 4</li> </ul>				
Power-ON Reset Circuit	Provided (mask option)							None				
Power-ON Flag												
Operating Voltage Range	2.7 to 6.0 V							2.7 to 5.0 V (T <sub>a</sub> = -40 to +50°C) 2.8 to 5.0 V (T <sub>a</sub> = -40 to +60°C)		2.7 to 6.0 V	5 V ± 10%	
Minimum Instruction Execution Time	0.95 $\mu$ s (at 5 V) 3 $\mu$ s (at 3 V)							0.95 $\mu$ s (at 4.5 V to 5.0 V)		0.95 $\mu$ s (at 5 V) 3 $\mu$ s (at 3 V)	0.95 $\mu$ s (at 5 V)	
Pin Connections	Depends on package							Depends on package. Only $\mu$ PD75P108, and 75P116 are provided with V <sub>PP</sub> pin.				
Package	<ul style="list-style-type: none"> <li>• 64-pin plastic shrink DIP (750 mil)</li> <li>• 64-pin plastic QFP (14 × 20 mm)</li> </ul>		<ul style="list-style-type: none"> <li>• 64-pin plastic shrink DIP (750 mil)</li> <li>• 64-pin plastic QFP (14 × 20 mm)</li> </ul>			<ul style="list-style-type: none"> <li>• 64-pin plastic QFP (14 × 14 mm)</li> </ul>	<ul style="list-style-type: none"> <li>• 64-pin plastic QFP (14 × 14 mm)</li> <li>• 64-pin plastic QFP (14 × 14 mm)</li> </ul>	<ul style="list-style-type: none"> <li>• 64-pin plastic QFP (14 × 20 mm)</li> </ul>		<ul style="list-style-type: none"> <li>• 64-pin plastic shrink DIP (750 mil)</li> <li>• 64-pin ceramic shrink DIP (w/window)</li> <li>• 64-pin plastic QFP (14 × 20 mm)</li> </ul>		<ul style="list-style-type: none"> <li>• 64-pin plastic shrink DIP (750 mil)</li> <li>• 64-pin plastic QFP (14 × 20 mm)</li> </ul>

**APPENDIX B. DEVELOPMENT TOOLS**

The following development support tools are readily available to support development of systems using μPD75108:

Hardware	IE-75000-R* <sup>1</sup> IE-75001-R	In-circuit emulator for 75X series	
	IE-75000-R-EM* <sup>2</sup>	Emulation board for IE-75000-R and IE-75001-R	
	EP-75108CW-R	Emulation prove for μPD75108CW	
	EP-75108GF-R EV-9200G-64	Emulation prove for μPD75108GF. It is provided with a 64-pin conversion socket, EV-9200G-64	
	PG-1500	PROM programmer	
	PA-75P108CW	PROM programmer adapter for μPD75P108BCW and 75P108BDW. It is connected to PG-1500.	
	PA-75P116GF	Programmer adapter for μPD75P108BGF. It is connected to PG-1500.	
Software	IE Control Program	Host machine	
	PG-1500 Controller		PC-9800 series (MS-DOS™ Ver.3.30 to Ver.5.00A* <sup>3</sup> )
	RA75X Relocatable Assembler		IBM PC/AT™ (PC DOS™ Ver.3.1)

\*1: Maintenance product

2: Not provided with IE-75001-R.

3: Ver.5.00/5.00A has a task swap function, but this function cannot be used with this function.

**Remarks:** For development tools from other companies, refer to 75X Series Selection Guide (IF-151).

**APPENDIX C. RELATED DOCUMENTS**

## GENERAL NOTES ON CMOS DEVICES

**① STATIC ELECTRICITY (ALL MOS DEVICES)**

**Exercise care so that MOS devices are not adversely influenced by static electricity while being handled.**

The insulation of the gates of the MOS device may be destroyed by a strong static charge. Therefore, when transporting or storing the MOS device, use a conductive tray, magazine case, or conductive buffer materials, or the metal case NEC uses for packaging and shipment, and use grounding when assembling the MOS device system. Do not leave the MOS device on a plastic plate and do not touch the pins of the device.

Handle boards on which MOS devices are mounted similarly .

**② PROCESSING OF UNUSED PINS (CMOS DEVICES ONLY)**

**Fix the input level of CMOS devices.**

Unlike bipolar or NMOS devices, if a CMOS device is operated with nothing connected to its input pin, intermediate level input may be generated due to noise, and an inrush current may flow through the device, causing the device to malfunction. Therefore, fix the input level of the device by using a pull-down or pull-up resistor. If there is a possibility that an unused pin serves as an output pin (whose timing is not specified), each pin should be connected to  $V_{DD}$  or GND through a resistor.

Refer to "Processing of Unused Pins" in the documents of each devices.

**③ STATUS BEFORE INITIALIZATION (ALL MOS DEVICES)**

**The initial status of MOS devices is undefined upon power application.**

Since the characteristics of an MOS device are determined by the quantity of injection at the molecular level, the initial status of the device is not controlled during the production process. The output status of pins, I/O setting, and register contents upon power application are not guaranteed. However, the items defined for reset operation and mode setting are subject to guarantee after the respective operations have been executed.

When using a device with a reset function, be sure to reset the device after power application.

[MEMO]

No part of this document may be copied or reproduced in any form or by any means without the prior written consent of NEC Corporation. NEC Corporation assumes no responsibility for any errors which may appear in this document.

NEC Corporation does not assume any liability for infringement of patents, copyrights or other intellectual property rights of third parties by or arising from use of a device described herein or any other liability arising from use of such device. No license, either express, implied or otherwise, is granted under any patents, copyrights or other intellectual property rights of NEC Corporation or others.

The devices listed in this document are not suitable for uses in aerospace equipment, submarine cables, nuclear reactor control systems and life support systems. If customers intend to use NEC devices for above applications or they intend to use "Standard" quality grade NEC devices for the applications not intended by NEC, please contact our sales people in advance.

Application examples recommended by NEC Corporation

Standard: Computer, Office equipment, Communication equipment, Test and Measurement equipment, Machine tools, Industrial robots, Audio and Visual equipment, Other consumer products, etc.

Special: Automotive and Transportation equipment, Traffic control systems, Antidisaster systems, Anticrime system, etc.

MS-DOS is a trademark of Microsoft Corporation.

PC DOS and PC/AT are trademarks of IBM Corporation.

M4 92.6