

To our customers,

Old Company Name in Catalogs and Other Documents

On April 1st, 2010, NEC Electronics Corporation merged with Renesas Technology Corporation, and Renesas Electronics Corporation took over all the business of both companies. Therefore, although the old company name remains in this document, it is a valid Renesas Electronics document. We appreciate your understanding.

Renesas Electronics website: <http://www.renesas.com>

April 1st, 2010
Renesas Electronics Corporation

Issued by: Renesas Electronics Corporation (<http://www.renesas.com>)

Send any inquiries to <http://www.renesas.com/inquiry>.

Notice

1. All information included in this document is current as of the date this document is issued. Such information, however, is subject to change without any prior notice. Before purchasing or using any Renesas Electronics products listed herein, please confirm the latest product information with a Renesas Electronics sales office. Also, please pay regular and careful attention to additional and different information to be disclosed by Renesas Electronics such as that disclosed through our website.
2. Renesas Electronics does not assume any liability for infringement of patents, copyrights, or other intellectual property rights of third parties by or arising from the use of Renesas Electronics products or technical information described in this document. No license, express, implied or otherwise, is granted hereby under any patents, copyrights or other intellectual property rights of Renesas Electronics or others.
3. You should not alter, modify, copy, or otherwise misappropriate any Renesas Electronics product, whether in whole or in part.
4. Descriptions of circuits, software and other related information in this document are provided only to illustrate the operation of semiconductor products and application examples. You are fully responsible for the incorporation of these circuits, software, and information in the design of your equipment. Renesas Electronics assumes no responsibility for any losses incurred by you or third parties arising from the use of these circuits, software, or information.
5. When exporting the products or technology described in this document, you should comply with the applicable export control laws and regulations and follow the procedures required by such laws and regulations. You should not use Renesas Electronics products or the technology described in this document for any purpose relating to military applications or use by the military, including but not limited to the development of weapons of mass destruction. Renesas Electronics products and technology may not be used for or incorporated into any products or systems whose manufacture, use, or sale is prohibited under any applicable domestic or foreign laws or regulations.
6. Renesas Electronics has used reasonable care in preparing the information included in this document, but Renesas Electronics does not warrant that such information is error free. Renesas Electronics assumes no liability whatsoever for any damages incurred by you resulting from errors in or omissions from the information included herein.
7. Renesas Electronics products are classified according to the following three quality grades: “Standard”, “High Quality”, and “Specific”. The recommended applications for each Renesas Electronics product depends on the product’s quality grade, as indicated below. You must check the quality grade of each Renesas Electronics product before using it in a particular application. You may not use any Renesas Electronics product for any application categorized as “Specific” without the prior written consent of Renesas Electronics. Further, you may not use any Renesas Electronics product for any application for which it is not intended without the prior written consent of Renesas Electronics. Renesas Electronics shall not be in any way liable for any damages or losses incurred by you or third parties arising from the use of any Renesas Electronics product for an application categorized as “Specific” or for which the product is not intended where you have failed to obtain the prior written consent of Renesas Electronics. The quality grade of each Renesas Electronics product is “Standard” unless otherwise expressly specified in a Renesas Electronics data sheets or data books, etc.
 - “Standard”: Computers; office equipment; communications equipment; test and measurement equipment; audio and visual equipment; home electronic appliances; machine tools; personal electronic equipment; and industrial robots.
 - “High Quality”: Transportation equipment (automobiles, trains, ships, etc.); traffic control systems; anti-disaster systems; anti-crime systems; safety equipment; and medical equipment not specifically designed for life support.
 - “Specific”: Aircraft; aerospace equipment; submersible repeaters; nuclear reactor control systems; medical equipment or systems for life support (e.g. artificial life support devices or systems), surgical implantations, or healthcare intervention (e.g. excision, etc.), and any other applications or purposes that pose a direct threat to human life.
8. You should use the Renesas Electronics products described in this document within the range specified by Renesas Electronics, especially with respect to the maximum rating, operating supply voltage range, movement power voltage range, heat radiation characteristics, installation and other product characteristics. Renesas Electronics shall have no liability for malfunctions or damages arising out of the use of Renesas Electronics products beyond such specified ranges.
9. Although Renesas Electronics endeavors to improve the quality and reliability of its products, semiconductor products have specific characteristics such as the occurrence of failure at a certain rate and malfunctions under certain use conditions. Further, Renesas Electronics products are not subject to radiation resistance design. Please be sure to implement safety measures to guard them against the possibility of physical injury, and injury or damage caused by fire in the event of the failure of a Renesas Electronics product, such as safety design for hardware and software including but not limited to redundancy, fire control and malfunction prevention, appropriate treatment for aging degradation or any other appropriate measures. Because the evaluation of microcomputer software alone is very difficult, please evaluate the safety of the final products or system manufactured by you.
10. Please contact a Renesas Electronics sales office for details as to environmental matters such as the environmental compatibility of each Renesas Electronics product. Please use Renesas Electronics products in compliance with all applicable laws and regulations that regulate the inclusion or use of controlled substances, including without limitation, the EU RoHS Directive. Renesas Electronics assumes no liability for damages or losses occurring as a result of your noncompliance with applicable laws and regulations.
11. This document may not be reproduced or duplicated, in any form, in whole or in part, without prior written consent of Renesas Electronics.
12. Please contact a Renesas Electronics sales office if you have any questions regarding the information contained in this document or Renesas Electronics products, or if you have any other inquiries.

(Note 1) “Renesas Electronics” as used in this document means Renesas Electronics Corporation and also includes its majority-owned subsidiaries.

(Note 2) “Renesas Electronics product(s)” means any product developed or manufactured by or for Renesas Electronics.

Phase-out/Discontinued μ PD720110A

USB 2.0 HUB CONTROLLER



The μ PD720110A is an USB 2.0 hub device that comply with the Universal Serial Bus (USB) Specification Revision 2.0 and work up to 480 Mbps. USB 2.0 compliant transceivers are integrated for upstream and all downstream ports. The μ PD720110A works backward compatible either when any one of downstream ports is connected to an USB 1.1 compliant device, or when the upstream port is connected to a USB 1.1 compliant host.

Detailed function descriptions are provided in the following user's manual. Be sure to read the manual before designing.
 μ PD720110A User's Manual: S15738E

FEATURES

- Compliant with Universal Serial Bus Specification Revision 2.0 (Data Rate 1.5/12/480 Mbps)
- Certified by USB implementers forum and granted with USB 2.0 high-Speed Logo
- High-speed or full-speed packet protocol sequencer for Endpoint 0/1
- 4 (Max.) downstream facing ports
- All downstream facing ports can handle high-speed (480 Mbps), full-speed (12 Mbps), and low-speed (1.5 Mbps) transaction.
- Supports split transaction to handle full-speed and low-speed transaction at downstream facing ports when Hub controller is working at high-speed mode.
- One Transaction Translator per Hub and supports 4 non-periodic buffers
- Supports self-powered mode only
- Supports Over-current detection and Individual power control
- Supports configurable vendor ID and product ID with external Serial ROM
- Supports "non-removable" attribution on individual port
- Uses 30 MHz X'tal, 30 MHz clock input, or 48 MHz clock input
- Supports downstream port status with LED
- HS detection indicator output
- 3.3 V power supply

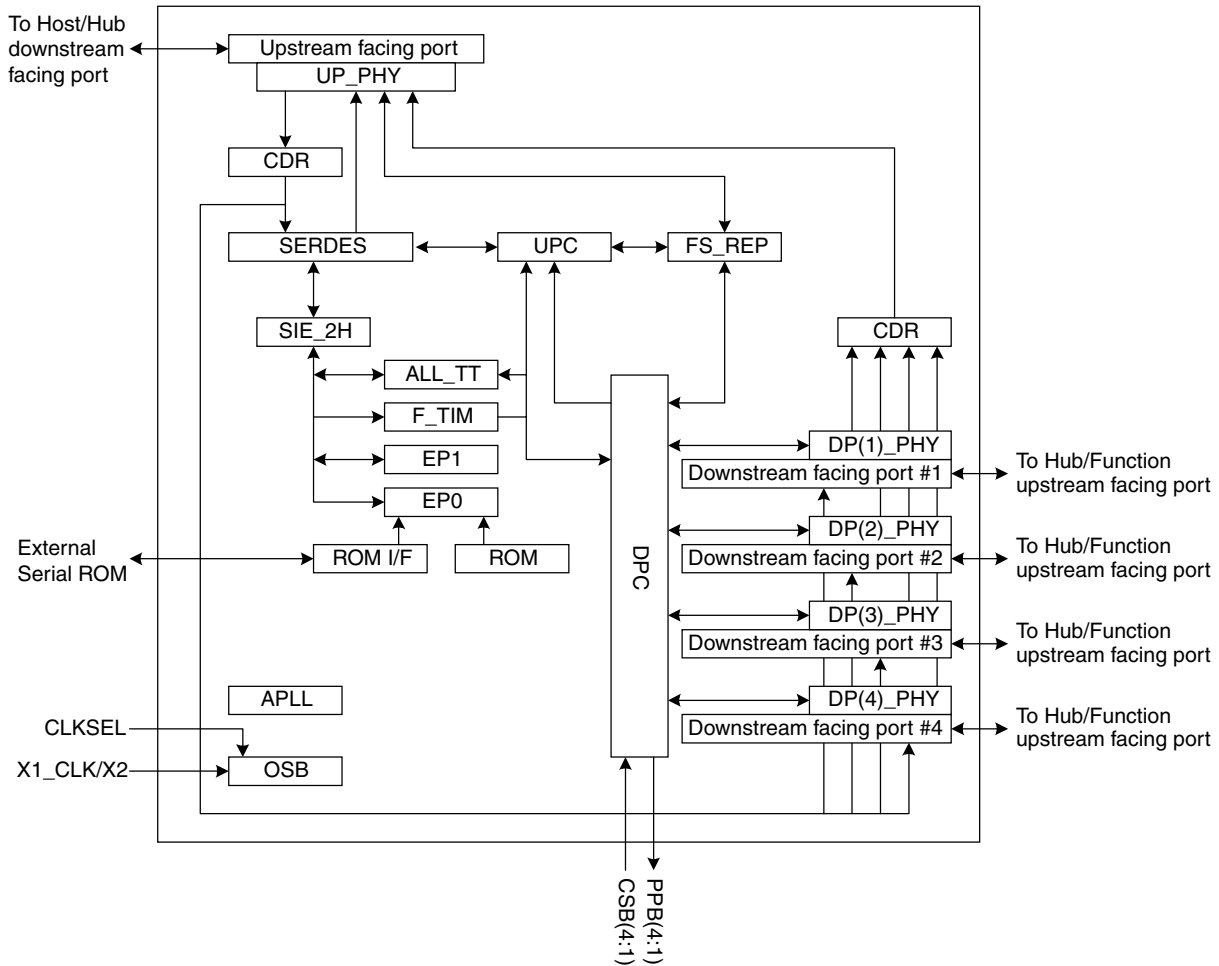
The information in this document is subject to change without notice. Before using this document, please confirm that this is the latest version.

Not all products and/or types are available in every country. Please check with an NEC Electronics sales representative for availability and additional information.

ORDERING INFORMATION

Part Number	Package	Remark
μPD720110AGC-8EA	100-pin plastic LQFP (Fine pitch) (14 × 14)	
★ μPD720110AGC-8EA-A	100-pin plastic LQFP (Fine pitch) (14 × 14)	Lead-free product

BLOCK DIAGRAM



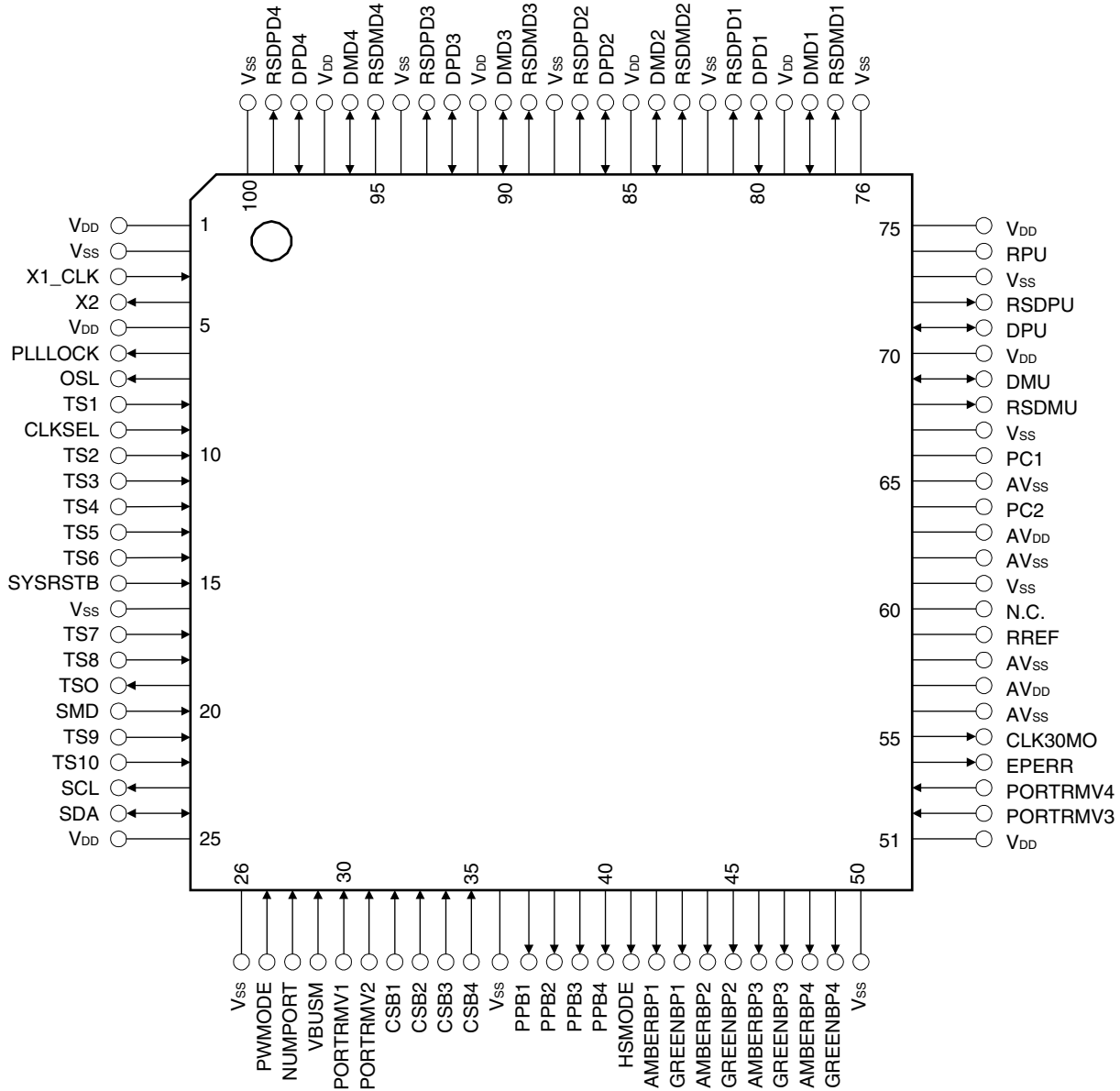
APLL	: Generates all clocks of Hub.
ALL_TT	: Translates the high-speed transactions (split transactions) for full/low-speed device to full/low-speed transactions. ALL_TT buffers the data transfer from either upstream or downstream direction. For OUT transaction, ALL_TT buffers data from upstream port and sends it out to the downstream facing ports after speed conversion from high-speed to full/low-speed. For IN transaction, ALL_TT buffers data from downstream ports and sends it out to the upstream facing ports after speed conversion from full/low-speed to high-speed.
CDR	: Data & clock recovery circuit
DPC	: Downstream Port Controller handles Port Reset, Enable, Disable, Suspend and Resume
DP(n)_PHY	: Downstream transceiver supports high-speed (480 Mbps), full-speed (12 Mbps), and low-speed (1.5 Mbps) transaction
EP0	: Endpoint 0 controller
EP1	: Endpoint 1 controller
F_TIM (Frame Timer)	: Manages hub's synchronization by using micro-SOF which is received at upstream port, and generates SOF packet when full/low-speed device is attached to downstream facing port.
FS_REP	: Full/low-speed repeater is enabled when the μPD720110A is worked at full-speed mode
OSB	: Oscillator Block
ROM	: Contains default Descriptors
ROM I/F	: Interface block for external Serial ROM which contains user-defined Descriptors
SERDES	: Serializer and Deserializer
SIE_2H	: Serial Interface Engine (SIE) controls USB2.0 and 1.1 protocol sequencer
UP_PHY	: Upstream Transceiver supports high-speed (480 Mbps), full-speed (12 Mbps) transaction
UPC	: Upstream Port Controller handles Suspend and Resume

PIN CONFIGURATION (TOP VIEW)

- 100-pin plastic LQFP (Fine pitch) (14 × 14)

μPD720110AGC-8EA

★ μPD720110AGC-8EA-A



Pin No.	Pin Name	Pin No.	Pin Name	Pin No.	Pin Name	Pin No.	Pin Name
1	V _{DD}	26	V _{SS}	51	V _{DD}	76	V _{SS}
2	V _{SS}	27	PWMODE	52	PORTRMV3	77	RSDMD1
3	X1_CLK	28	NUMPORT	53	PORTRMV4	78	DMD1
4	X2	29	VBUSM	54	EPERR	79	V _{DD}
5	V _{DD}	30	PORTRMV1	55	CLK30MO	80	DPD1
6	PLLLOCK	31	PORTRMV2	56	AV _{SS}	81	RSDPD1
7	OSL	32	CSB1	57	AV _{DD}	82	V _{SS}
8	TS1	33	CSB2	58	AV _{SS}	83	RSDMD2
9	CLKSEL	34	CSB3	59	RREF	84	DMD2
10	TS2	35	CSB4	60	N.C.	85	V _{DD}
11	TS3	36	V _{SS}	61	V _{SS}	86	DPD2
12	TS4	37	PPB1	62	AV _{SS}	87	RSDPD2
13	TS5	38	PPB2	63	AV _{DD}	88	V _{SS}
14	TS6	39	PPB3	64	PC2	89	RSDMD3
15	SYSRSTB	40	PPB4	65	AV _{SS}	90	DMD3
16	V _{SS}	41	HSMODE	66	PC1	91	V _{DD}
17	TS7	42	AMBERBP1	67	V _{SS}	92	DPD3
18	TS8	43	GREENBP1	68	RSDMU	93	RSDPD3
19	TSO	44	AMBERBP2	69	DMU	94	V _{SS}
20	SMD	45	GREENBP2	70	V _{DD}	95	RSDMD4
21	TS9	46	AMBERBP3	71	DPU	96	DMD4
22	TS10	47	GREENBP3	72	RSDPU	97	V _{DD}
23	SCL	48	AMBERBP4	73	V _{SS}	98	DPD4
24	SDA	49	GREENBP4	74	RPU	99	RSDPD4
25	V _{DD}	50	V _{SS}	75	V _{DD}	100	V _{SS}

1. PIN INFORMATION

(1/2)

Pin Name	I/O	Buffer Type	Active Level	Function
X1_CLK	I	Input		System clock input or oscillator in
X2	O	Output		Oscillator out
SYSRSTB	I	5 V tolerant Input	Low	Asynchronous chip reset
CLK30MO	O (I/O)	Output		30 MHz clock output
CLKSEL	I	Input		Clock select signal
RPU	A	Analog		External 1.5 kΩ pull-up resistor control
DPD(4:1)	B	USB high speed D+ I/O		Downstream high-speed data D+
DPU	B	USB high speed D+ I/O		Upstream high-speed data D+
DMD(4:1)	B	USB high speed D- I/O		Downstream high-speed data D-
DMU	B	USB high speed D- I/O		Upstream high-speed data D-
RSDPD(4:1)	O	USB full-speed D+ O		Downstream full-speed data D+ and R _s resistor terminal
RSDPU	O	USB full-speed D+ O		Upstream full-speed data D+ and R _s resistor terminal
RSDMD(4:1)	O	USB full-speed D- O		Downstream full-speed data D- and R _s resistor terminal
RSDMU	O	USB full-speed D- O		Upstream full-speed data D- and R _s resistor terminal
RREF	A	Analog		Reference resistor
PC1	A	Analog		Capacitor for PLL
PC2	A	Analog		Capacitor for PLL
CSB(4:1)	I (I/O)	5 V tolerant input	Low	Port's overcurrent status input
PPB(4:1)	O	5 V tolerant N-ch open drain	Low	Port's power supply control output
NUMPORT	I	Input		Number of available ports
PWMODE	I	Input		Power mode select
VBUSM	I	Input		VBus monitor
PORTRMV(2:1)	I	Input		Removable/Non-removable select
PORTRMV(4:3)	I (I/O)	Input		Removable/Non-removable select
OSL	O (I/O)	Output	High	Indication for suspend state
HSMODE	O	Output	Low	Indication for high-speed operation
AMBERBP(4:1)	O	Output	Low	Indication for downstream port status with amber colored LED
GREENBP(4:1)	O	Output	Low	Indication for downstream port status with green colored LED
SCL	O (I/O)	Output		Serial ROM clock out
SDA	I/O	I/O with 5 kΩ pull-up R		Serial ROM data
SMD	I	Input		Serial ROM input enable
EPERR	O (I/O)	Output		Indication for serial ROM error

(2/2)

Pin Name	I/O	Buffer Type	Active Level	Function
PLLLOCK	O (I/O)	Output		Indication when PLL is locked
TS(1)	I	Input with 12 kΩ pull-down R		Test signal
TS(10:2)	I	Input		Test signal
TSO	I/O	I/O		Test signal
V _{DD}				V _{DD}
AV _{DD}				V _{DD} for analog circuit
V _{SS}				V _{SS}
AV _{SS}				V _{SS} for analog circuit
N.C.				Not connected

- Remarks**
1. "5 V tolerant" means that the buffer is 3 V buffer with 5 V tolerant circuit.
 2. The signal marked as "(I/O)" in the above table operates as I/O signals during testing. However, they do not need to be considered in normal use.

2. ELECTRICAL SPECIFICATIONS

2.1 Buffer List

- 5 V schmitt buffer
SYSRSTB, CSB(4:1)
- 3.3 V oscillator block
X1_CLK, X2
- 3.3 V input buffer
CLKSEL, TS(10:1), SMD, PWMODE, NUMPORT, VBUSM, PORTRMV(4:1)
- 3.3 V $I_{OL} = 6$ mA output buffer
PLLLOCK, OSL, TSO, SCL, CLK30MO
- 3.3 V $I_{OL} = 12$ mA output buffer
EPERR
- 3.3 V $I_{OL} = 6$ mA schmitt I/O buffer with 5 k Ω pull-up resistor
SDA
- 5 V $I_{OL} = 12$ mA output buffer
HSMODE, AMBERBP(4:1), GREENBP(4:1)
- 5 V $I_{OL} = 12$ mA N-ch open drain buffer
PPB(4:1)
- USB2.0 interface
RPU, DPU, DMU, RSDPU, RSDMU, DPD(4:1), DMD(4:1), RSDPD(4:1), RSDMD(4:1), RREF, PC1, PC2

Above, "5 V" refers to a 3 V buffer that is 5 V tolerant (has 5 V maximum voltage). Therefore, it is possible to have a 5 V connection for an external bus, but the output level will be only up to 3 V, which is the V_{DD} voltage.

2.2 Terminology

Terms Used in Absolute Maximum Ratings

Parameter	Symbol	Meaning
Power supply voltage	V_{DD}	Indicates voltage range within which damage or reduced reliability will not result when power is applied to a V_{DD} pin.
Input voltage	V_i	Indicates voltage range within which damage or reduced reliability will not result when power is applied to an input pin.
Output voltage	V_o	Indicates voltage range within which damage or reduced reliability will not result when power is applied to an output pin.
Output current	I_o	Indicates absolute tolerance values for DC current to prevent damage or reduced reliability when a current flow out of or into an output pin.
Operating temperature	T_A	Indicates the ambient temperature range for normal logic operations.
Storage temperature	T_{stg}	Indicates the element temperature range within which damage or reduced reliability will not result while no voltage or current are applied to the device.

Terms Used in Recommended Operating Range

Parameter	Symbol	Meaning
Power supply voltage	V_{DD}	Indicates the voltage range for normal logic operations occur when $V_{SS} = 0V$.
High-level input voltage	V_{IH}	Indicates the voltage, which is applied to the input pins of the device, is the voltage indicates that the high level states for normal operation of the input buffer. * If a voltage that is equal to or greater than the "MIN." value is applied, the input voltage is guaranteed as high level voltage.
Low-level input voltage	V_{IL}	Indicates the voltage, which is applied to the input pins of the device, is the voltage indicates that the low level states for normal operation of the input buffer. * If a voltage that is equal to or lesser than the "MAX." value is applied, the input voltage is guaranteed as low level voltage.
Hysteresis voltage	V_H	Indicates the differential between the positive trigger voltage and the negative trigger voltage.

Terms Used in DC Characteristics

Parameter	Symbol	Meaning
Off-state output leakage current	I_{oz}	Indicates the current that flows from the power supply pins when the rated power supply voltage is applied when a 3-state output has high impedance.
Output short circuit current	I_{os}	Indicates the current that flows when the output pin is shorted (to GND pins) when output is at high-level.
Low-level output current	I_{oL}	Indicates the current that flows to the output pins when the rated low-level output voltage is being applied.
High-level output current	I_{oH}	Indicates the current that flows from the output pins when the rated high-level output voltage is being applied.

2.3 Electrical Specifications

Absolute Maximum Ratings

Parameter	Symbol	Condition	Rating	Unit
Power supply voltage	V _{DD}		-0.5 to +4.6	V
Input voltage	V _I			
3.3 V input voltage		V _I < V _{DD} + 0.5 V	-0.5 to +4.6	V
5 V input voltage		V _I < V _{DD} + 3.0 V	-0.5 to +6.6	V
Output voltage	V _O			
3.3 V output voltage		V _O < V _{DD} + 0.5 V	-0.5 to +4.6	V
5 V output voltage		V _O < V _{DD} + 3.0 V	-0.5 to +6.6	V
Operating temperature	T _A		0 to +70	°C
Storage temperature	T _{stg}		-65 to +150	°C

Caution Product quality may suffer if the absolute maximum rating is exceeded even momentarily for any parameters. That is, the absolute maximum ratings are rated values at which the product is on the verge of suffering physical damage, and therefore the product must be used under conditions that ensure that the absolute maximum ratings are not exceeded.

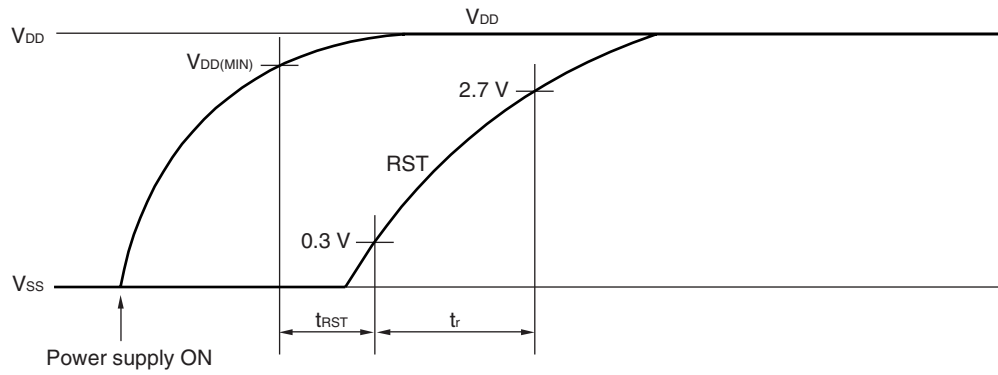
The ratings and conditions indicated for DC characteristics and AC characteristics represent the quality assurance range during normal operation.

Recommended Operating Ranges

Parameter	Symbol	Condition	MIN.	TYP.	MAX.	Unit
Operating voltage	V _{DD}		3.14	3.30	3.46	V
High-level input voltage	V _{IH}					
3.3 V High-level input voltage			2.0		V _{DD}	V
5.0 V High-level input voltage			2.0		5.5	V
Low-level input voltage	V _{IL}					
3.3 V Low-level input voltage			0		0.8	V
5.0 V Low-level input voltage			0		0.8	V
Hysteresis voltage	V _H		0.3		1.5	V
Input rise time for SYSRSTB ^{Note}	t _r				10	ms
Reset time	t _{RST}		0.005		90	ms

Note Drive Low on SYSRSTB pin when only in Power On Reset timing.

Figure 2-1. Power On Reset Timing



DC Characteristics

Parameter	Symbol	Condition	MIN.	MAX.	Unit
Off-state output leakage current	I_{OZ}	$V_O = V_{DD}$ or GND		± 10	μA
Output short circuit current	I_{OS} ^{Note}			-250	mA
Low-level output current	I_{OL}				
3.3 V low-level output current		$V_{OL} = 0.4\text{ V}$	6		mA
3.3 V low-level output current		$V_{OL} = 0.4\text{ V}$	12		mA
5.0 V low-level output current		$V_{OL} = 0.4\text{ V}$	12		mA
High-level output current	I_{OH}				
3.3 V high-level output current		$V_{OH} = 2.4\text{ V}$	-6		mA
3.3 V high-level output current		$V_{OH} = 2.4\text{ V}$	-12		mA
5.0 V high-level output current		$V_{OH} = 2.4\text{ V}$	-2		mA

Note The output short circuit time is one second or less and is only for one pin on the LSI.

USB Interface Block

Parameter	Symbol	Conditions	MIN	MAX	Unit
Serial Resistor between DPx (DMx) and RSDPx (RSDMx).	R _S		35.64	36.36	Ω
Output pin impedance	Z _{HSDRV}	Includes R _S resistor	40.5	49.5	Ω
Bus pull-up resistor on upstream facing port	R _{PU}		1.425	1.575	kΩ
Bus pull-up resistor on downstream facing port	R _{PD}		14.25	15.75	kΩ
Termination voltage for upstream facing port pullup (full-speed)	V _{TERM}		3.0	3.6	V
Input Levels for Low-/full-speed:					
High-level input voltage (drive)	V _{IH}		2.0		V
High-level input voltage (floating)	V _{IHZ}		2.7	3.6	V
Low-level input voltage	V _{IL}			0.8	V
Differential input sensitivity	V _{DI}	(D+) - (D-)	0.2		V
Differential common mode range	V _{CM}	Includes V _{DI} range	0.8	2.5	V
Output Levels for Low-/full-speed:					
High-level output voltage	V _{OH}	R _L of 14.25 kΩ to GND	2.8	3.6	V
Low-level output voltage	V _{OL}	R _L of 1.425 kΩ to 3.6 V	0.0	0.3	V
SE1	V _{OSE1}		0.8		V
Output signal crossover point voltage	V _{CRS}		1.3	2.0	V
Input Levels for High-speed:					
High-speed squelch detection threshold (differential signal)	V _{HSSQ}		100	150	mV
High-speed disconnect detection threshold (differential signal)	V _{HSDSC}		525	625	mV
High-speed data signaling common mode voltage range	V _{HSCM}		-50	+500	mV
High-speed differential input signaling level	See Figure 2-5.				
Output Levels for High-speed:					
High-speed idle state	V _{HSOI}		-10.0	+10	mV
High-speed data signaling high	V _{HSOH}		360	440	mV
High-speed data signaling low	V _{HSOL}		-10.0	+10	mV
Chirp J level (different signal)	V _{CHIRPJ}		700	1100	mV
Chirp K level (different signal)	V _{CHIRPK}		-900	-500	mV

Figure 2-2. Differential Input Sensitivity Range for Low-/full-speed

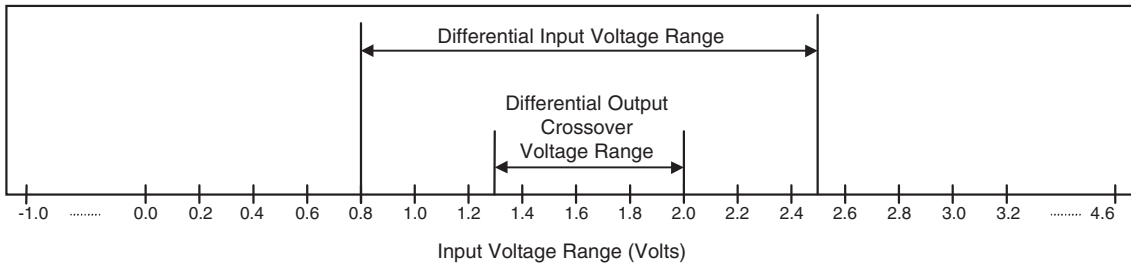


Figure 2-3. Full-speed Buffer V_{OH}/I_{OH} Characteristics for High-speed Capable Transceiver

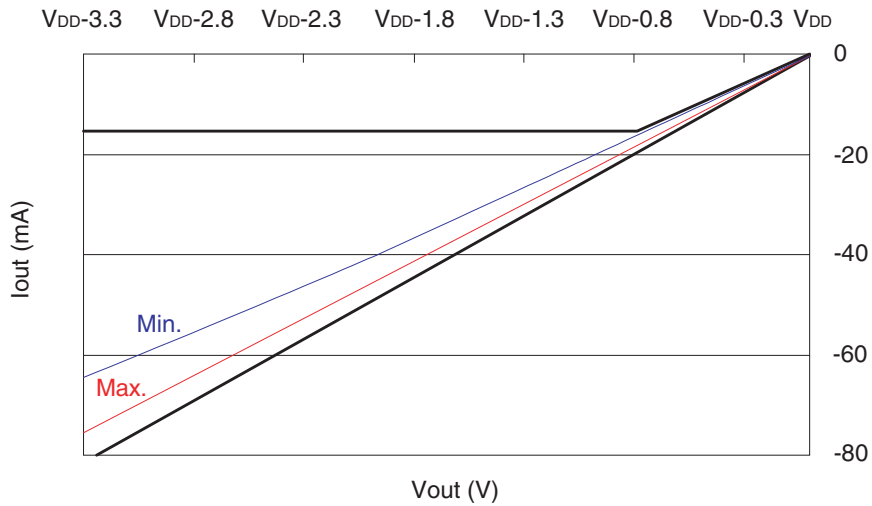


Figure 2-4. Full-speed Buffer V_{OL}/I_{OL} Characteristics for High-speed Capable Transceiver

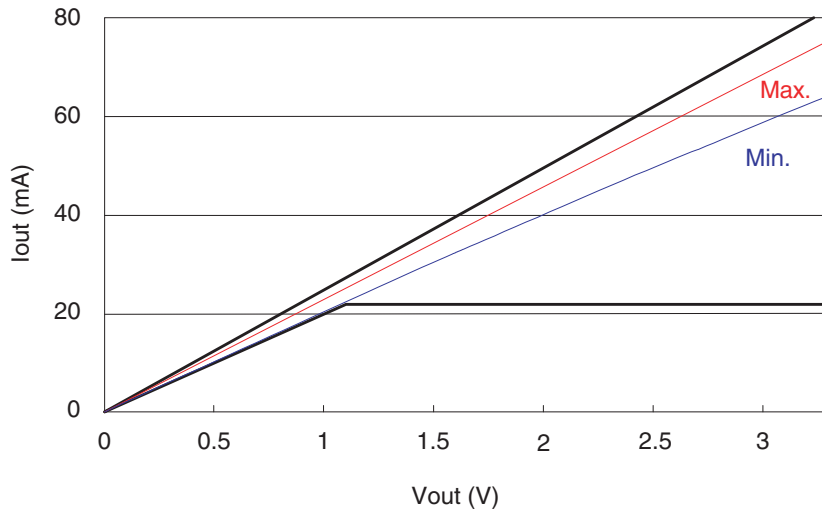


Figure 2-5. Receiver Sensitivity for Transceiver at DP/DM

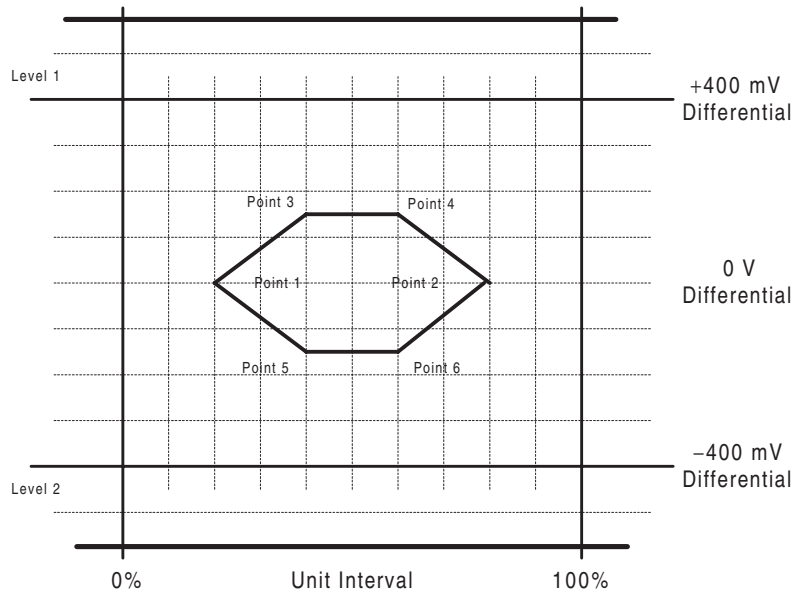
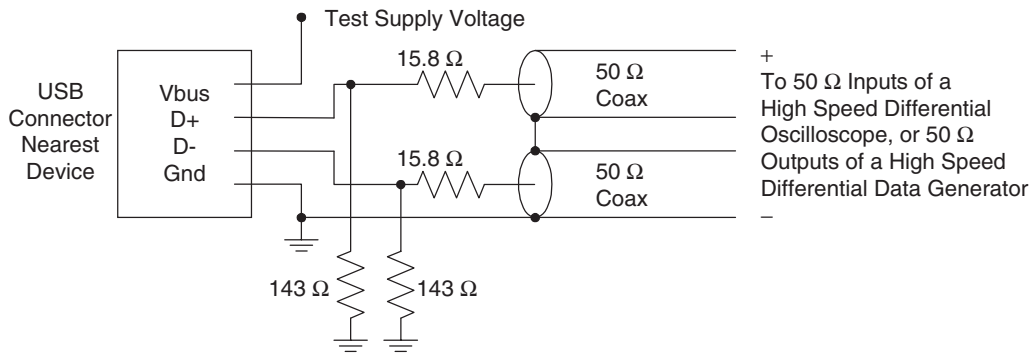


Figure 2-6. Receiver Measurement Fixtures



Power Consumption

Parameter	Symbol	Condition	TYP.	Unit
Power Consumption	P _{W-0}	The power consumption under the state without suspend. All the ports does not connect to any function. ^{Note 1} Hub controller is operating at full-speed mode. Hub controller is operating at high-speed mode.	185 270	mA mA
	P _{W-2}	The power consumption under the state without suspend. The number of active ports is 2. ^{Note 2} Hub controller is operating at full-speed mode. Hub controller is operating at high-speed mode.	190 400	mA mA
	P _{W-3}	The power consumption under the state without suspend. The number of active ports is 3. ^{Note 2} Hub controller is operating at full-speed mode. Hub controller is operating at high-speed mode.	193 460	mA mA
	P _{W-4}	The power consumption under the state without suspend. The number of active ports is 4. ^{Note 2} Hub controller is operating at full-speed mode. Hub controller is operating at high-speed mode.	196 525	mA mA
	P _{W-s}	The power consumption under suspend state. The internal clock is stopped.	1.3	mA

- Notes**
1. When any device is not connected to all the ports of HC, the power consumption for HC does not depend on the number of active ports.
 2. The number of active ports is set by the value of Port No field in PCI configuration space EXT register.

System Clock Ratings

Parameter	Symbol	Condition	MIN.	TYP.	MAX.	Unit
Clock frequency	f _{CLK}	X'tal	-500 ppm	30	+500 ppm	MHz
		Oscillator block	-500 ppm	48	+500 ppm	MHz
Clock Duty cycle	t _{DUTY}		40	50	60	%

- Remarks**
1. Recommended accuracy of clock frequency is ± 100 ppm.
 2. Required accuracy of X'tal or oscillator block is including initial frequency accuracy, the spread of X'tal capacitor loading, supply voltage, temperature, and aging, etc.

AC Characteristics (V_{DD} = 3.14 to 3.46 V, T_A = 0 to +70°C)

USB Interface Block

(1/4)

Parameter	Symbol	Conditions	MIN.	MAX.	Unit
Low-speed Electrical Characteristics					
Rise time (10% to 90%)	t _{LR}	C _L = 50 pF to 150 pF, R _S = 36 Ω	75	300	ns
Fall time (90% to 10%)	t _{LF}	C _L = 50 pF to 150 pF, R _S = 36 Ω	75	300	ns
Differential rise and fall time matching	t _{LRFM}	(t _{LR} /t _{LF}) ^{Note}	80	125	%
Low-speed data rate	t _{LDRATHS}	Average bit rate	1.49925	1.50075	Mbps
Hub differential data delay (Figure 2-9)	t _{LHDD}			300	ns
Hub differential driver jitter (including cable) (Figure 2-9):					
Downstream facing port					
To next transition	t _{LDHJ1}		-45	+45	ns
For paired transitions	t _{LDHJ2}		-45	+45	ns
Upstream facing port					
To next transition	t _{LUHJ1}		-45	+45	ns
For paired transitions	t _{LUHJ2}		-15	+15	ns
Data bit width distortion after SE0 (Figure 2-9)	t _{LSOP}		-60	+60	ns
Hub EOP delay relative to THDD (Figure 2-10)	t _{LEOPD}		0	200	ns
Hub EOP output width skew (Figure 2-10)	t _{LHESK}		-300	+300	ns
Full-speed Electrical Characteristics					
Rise time (10% to 90%)	t _{FR}	C _L = 50 pF, R _S = 36 Ω	4	20	ns
Fall time (90% to 10%)	t _{FF}	C _L = 50 pF, R _S = 36 Ω	4	20	ns
Differential rise and fall time matching	t _{FRFM}	(t _{FR} /t _{FF})	90	111.11	%
Full-speed data rate	t _{FDRATHS}	Average bit rate	11.9940	12.0060	Mbps
Frame interval	t _{FRAME}		0.9995	1.0005	ms
Consecutive frame interval jitter	t _{RFI}	No clock adjustment		42	ns
Source jitter total (including frequency tolerance) (Figure 2-11):		Note			
To next transition	t _{DJ1}		-3.5	+3.5	ns
For paired transitions	t _{DJ2}		-4.0	+4.0	ns
Source jitter for differential transition to SE0 transition (Figure 2-12)	t _{FDEOP}		-2	+5	ns

Note Excluding the first transition from the Idle state.

(2/4)

Parameter	Symbol	Conditions	MIN.	MAX.	Unit
Full-speed Electrical Characteristics (Continued)					
Receiver jitter (Figure 2-13): To Next Transition	t _{JR1}		-18.5	+18.5	ns
	t _{JR2}		-9	+9	ns
For Paired Transitions					
Source SE0 interval of EOP (Figure 2-12)	t _{FEOPT}		160	175	ns
Receiver SE0 interval of EOP (Figure 2-12)	t _{FEOPR}		82		ns
Width of SE0 interval during differential transition	t _{FST}			14	ns
Hub differential data delay (with cable)	t _{HDD1}			70	ns
Hub differential data delay (without cable) (Figure 2-9)	t _{HDD2}			44	ns
Hub differential driver jitter (including cable) (Figure 2-9): To next transition	t _{HDJ1}		-3	+3	ns
	t _{HDJ2}		-1	+1	ns
For paired transitions					
Data bit width distortion after SE0 Figure 2-9)	t _{FSOP}		-5	+5	ns
Hub EOP delay relative to THDD (Figure 2-10)	t _{FEOPD}		0	15	ns
Hub EOP output width skew (Figure 2-10)	t _{FHESK}		-15	+15	ns
High-speed Electrical Characteristics					
Rise time (10% to 90%)	t _{HSR}		500		ps
Fall time (90% to 10%)	t _{HSF}		500		ps
Driver waveform	See Figure 2-7.				
High-speed data rate	t _{HSDRAT}		479.760	480.240	Mbps
Microframe interval	t _{HSFRAM}		124.9375	125.0625	μs
Consecutive microframe interval difference	t _{HSRFI}			4 high-speed	Bit times
Data source jitter	See Figure 2-7.				
Receiver jitter tolerance	See Figure 2-5.				
Hub data delay (without cable)	t _{HSHDD}			36 high-speed+4 ns	Bit times
Hub data jitter	See Figure 2-5, Figure 2-7.				
Hub delay variation range	t _{HSHDV}			5 high-speed	Bit times
Hub Event Timings					
Time to detect a downstream facing port connect event (Figure 2-15): Awake hub	t _{DCNN}		2.5	2000	μs
			2.5	12000	μs
Suspended hub					
Time to detect a disconnect event at a hub's downstream facing port (Figure 2-14)	t _{DDIS}		2.0	2.5	μs

(3/4)

Parameter	Symbol	Conditions	MIN.	MAX.	Unit
Hub Event Timings (Continued)					
Duration of driving resume to a downstream port (only from a controlling hub)	tDRSMDN		20		ms
Time from detecting downstream resume to rebroadcast	tURSM			1.0	ms
Duration of driving reset to a downstream facing port (Figure 2-16)	tDRST	Only for a SetPortFeature (PORT_RESET) request	10	20	ms
Time to detect a long K from upstream	tURLK		2.5	100	μs
Time to detect a long SE0 from upstream	tURLSE0		2.5	10000	μs
Duration of repeating SE0 upstream (for low-/full-speed repeater)	tURPSE0			23	FS Bit times
Inter-packet delay (for high-speed) of packets traveling in same direction	tHSIPDSD		88		Bit times
Inter-packet delay (for high-speed) of packets traveling in opposite direction	tHSIPDOD		8		Bit times
Inter-packet delay for device/root hub response with detachable cable for high-speed	tHSRSPDP1			192	Bit times
Time of which a Chirp J or Chirp K must be continuously detected (filtered) by hub or device during Reset handshake	tFILT		2.5		μs
Time after end of device Chirp K by which hub must start driving first Chirp K in the hub's chirp sequence	tWTDCH			100	μs
Time for which each individual Chirp J or Chirp K in the chirp sequence is driven downstream by hub during reset	tDCHBIT		40	60	μs
Time before end of reset by which a hub must end its downstream chirp sequence	tDCHSE0		100	500	μs
Time from internal power good to device pulling D+ beyond V _{IHZ} (Figure 2-16)	tSIGATT			100	ms
Debounce interval provided by USB system software after attach (Figure 2-16)	tATTDB			100	ms
Maximum duration of suspend averaging interval	tSUSAVGI			1	s
Period of idle bus before device can initiate resume	tWTRSM		5		ms
Duration of driving resume upstream	tDRSMUP		1	15	ms
Resume recovery time	tRSMRCY	Remote-wakeup is enabled	10		ms
Time to detect a reset from upstream for non high-speed capable devices	tDETRST		2.5	10000	μs
Reset recovery time (Figure 2-16)	tRSTRCY			10	ms

(4/4)

Parameter	Symbol	Conditions	MIN.	MAX.	Unit
Hub Event Timings (Continued)					
Inter-packet delay for full-speed	t _{IPD}		2		Bit times
Inter-packet delay for device response with detachable cable for full-speed	t _{RSPID1}			6.5	Bit times
SetAddress() completion time	t _{DSETADDR}			50	ms
Time to complete standard request with no data	t _{DROCMPLTND}			50	ms
Time to deliver first and subsequent (except last) data for standard request	t _{DRETDATA1}			500	ms
Time to deliver last data for standard request	t _{DRETDATAN}			50	ms
Time for which a suspended hub will see a continuous SE0 on upstream before beginning the high-speed detection handshake	t _{FILTSE0}		2.5		μs
Time a hub operating in non-suspended full-speed will wait after start of SE0 on upstream before beginning the high-speed detection handshake	t _{WTRSTFS}		2.5	3000	ms
Time a hub operating in high-speed will wait after start of SE0 on upstream before reverting to full-speed	t _{WTREV}		3.0	3.125	ms
Time a hub will wait after reverting to full-speed before sampling the bus state on upstream and beginning the high-speed will wait after start of SE0 on upstream before reverting to full-speed	t _{WTRSTHS}		100	875	ms
Minimum duration of a Chirp K on upstream from a hub within the reset protocol	t _{UCH}		1.0		ms
Time after start of SE0 on upstream by which a hub will complete its Chirp K within the reset protocol	t _{UCHEND}			7.0	ms
Time between detection of downstream chip and entering high-speed state	t _{WTHS}			500	μs
Time after end of upstream Chirp at which hub reverts to full-speed default state if no downstream Chirp is detected	t _{WTF5}		1.0	2.5	ms

Clock & Overcurrent Response Timing

Parameter	Symbol	Condition	MIN.	TYP.	MAX.	Unit
CLK30MO cycle time	t_{c3c}			33.33		ns
CLK30MO high level width	t_{c3H}		15.9		17.5	ns
CLK30MO low level width	t_{c3L}		15.9		17.5	ns
Overcurrent response time from CSB low to PPB high (Figure 2-19)	t_{oc}		500		625	μs

Figure 2-7. Transmit Waveform for Transceiver at DP/DM

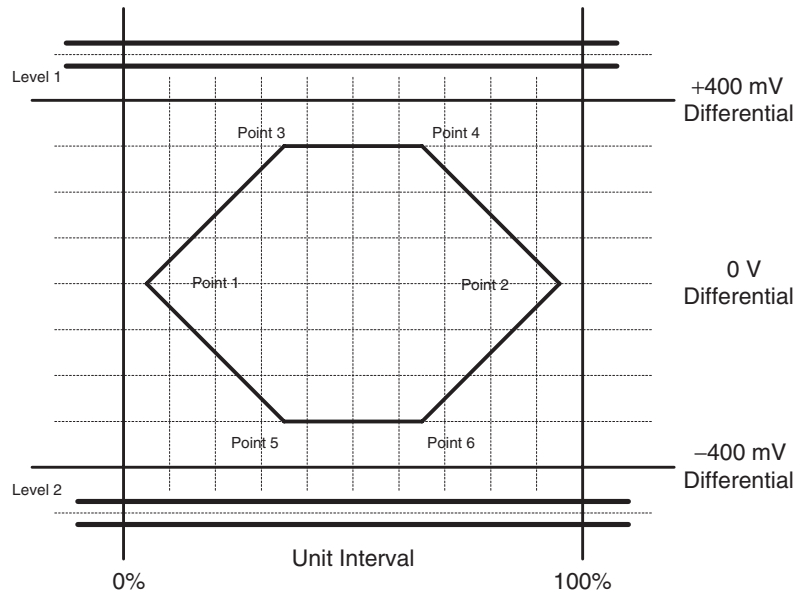
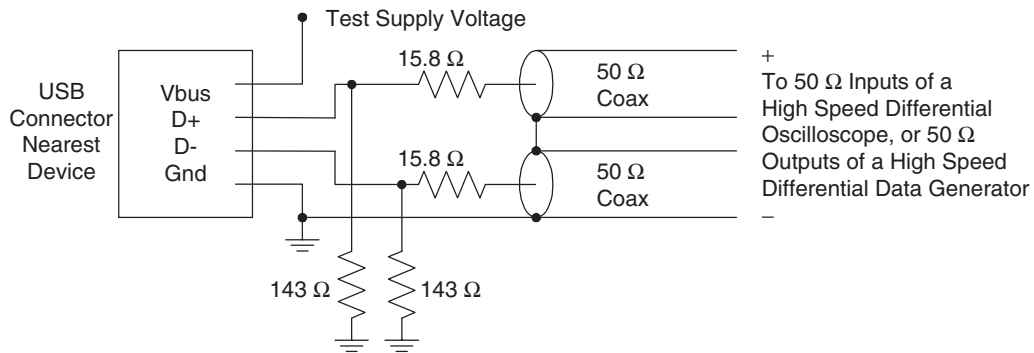
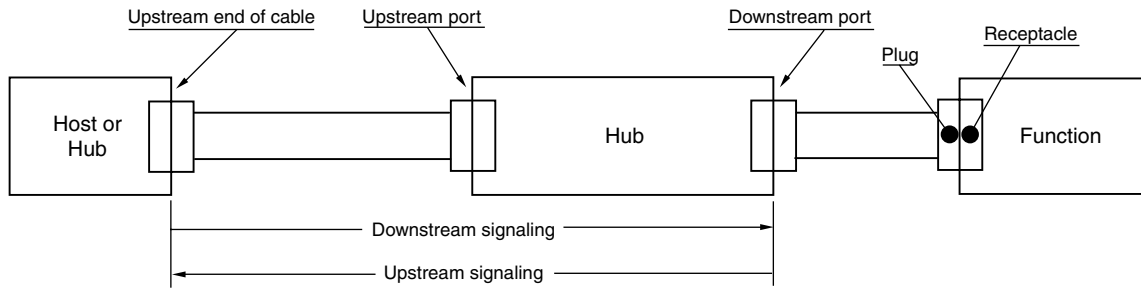
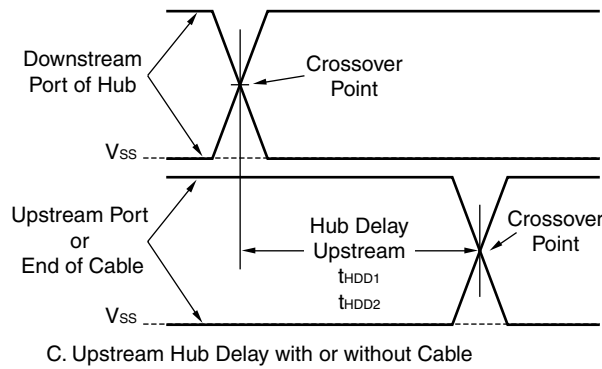
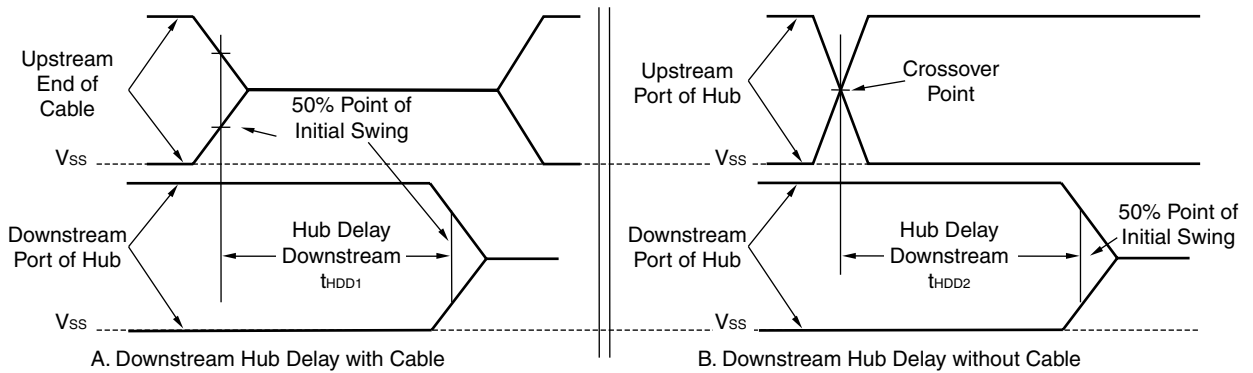


Figure 2-8. Transmitter Measurement Fixtures



Timing Diagram

Figure 2-9. Hub Differential Delay, Differential Jitter, and SOP Distortion

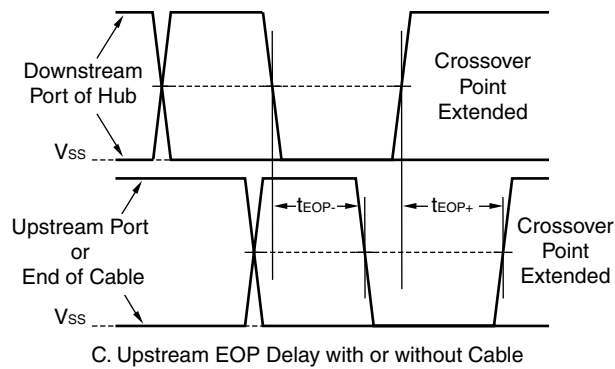
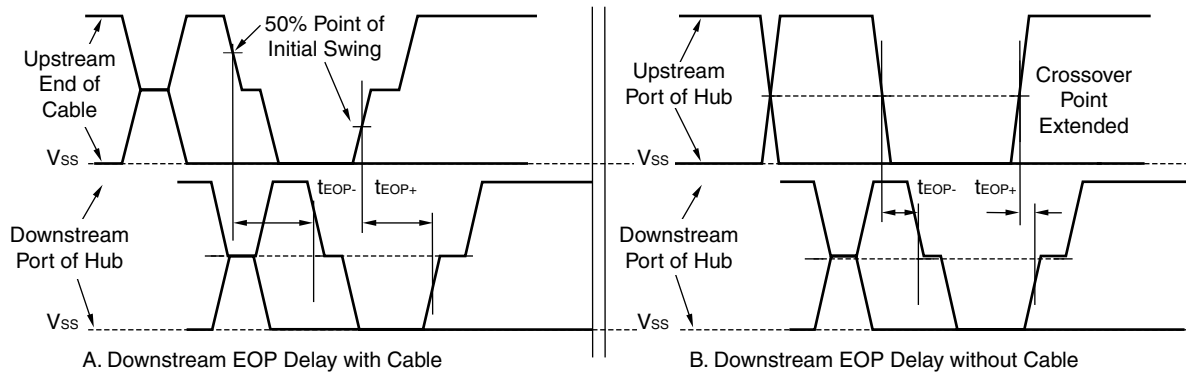


Hub Differential Jitter:
 $t_{HDJ1} = t_{HDDx}(J) - t_{HDDx}(K)$ or $t_{HDDx}(K) - t_{HDDx}(J)$ Consecutive Transitions
 $t_{HDJ2} = t_{HDDx}(J) - t_{HDDx}(J)$ or $t_{HDDx}(K) - t_{HDDx}(K)$ Paired Transitions

Bit after SOP Width Distortion (same as data jitter for SOP and next J transition):
 $t_{FSOP} = t_{HDDx}(\text{next J}) - t_{HDDx}(\text{SOP})$

Low-speed timings are determined in the same way for:
 t_{LHDD} , t_{LDHJ1} , t_{LDJH2} , t_{LUHJ1} , t_{LUJH2} , and t_{LSOP}

Figure 2-10. Hub EOP Delay and EOP Skew



EOP Delay:
 $t_{FEOPD} = t_{EOPy} - t_{HDDx}$
 (t_{EOPy} means that this equation applies to t_{EOP-} and t_{EOP+})

EOP Skew:
 $t_{FHESK} = t_{EOP+} - t_{EOP-}$

Low-speed timings are determined in the same way for:
 t_{LEOPD} and t_{LHESK}

Figure 2-11. USB Differential Data Jitter for Full-speed

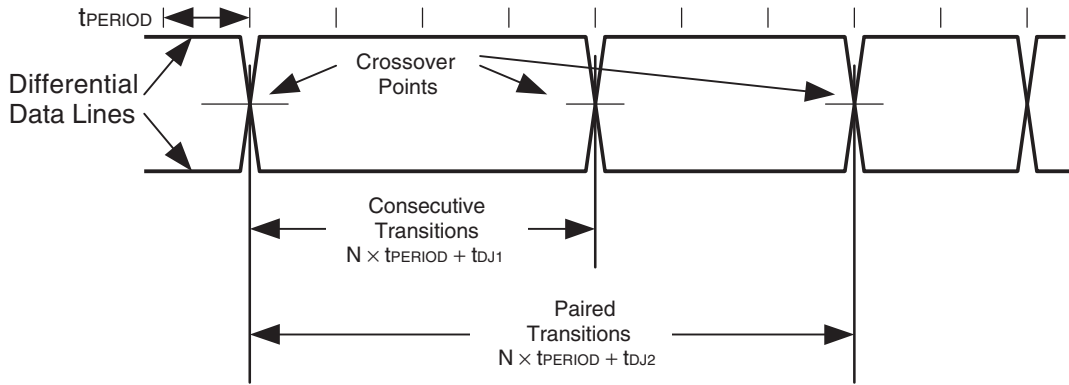


Figure 2-12. USB Differential-to-EOP Transition Skew and EOP Width for Full-speed

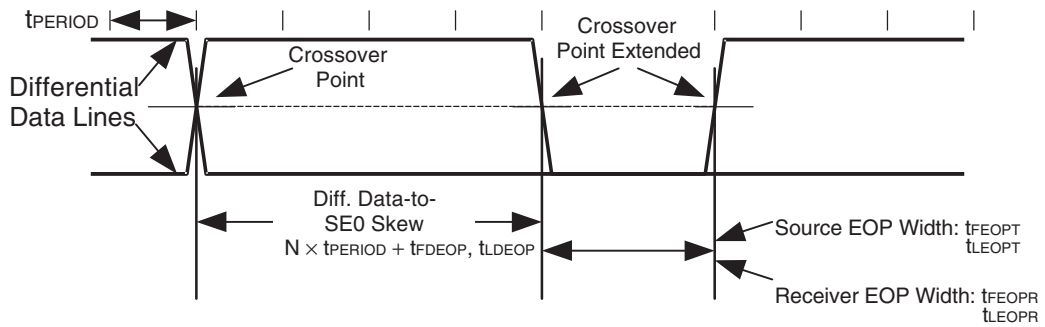


Figure 2-13. USB Receiver Jitter Tolerance for Full-speed

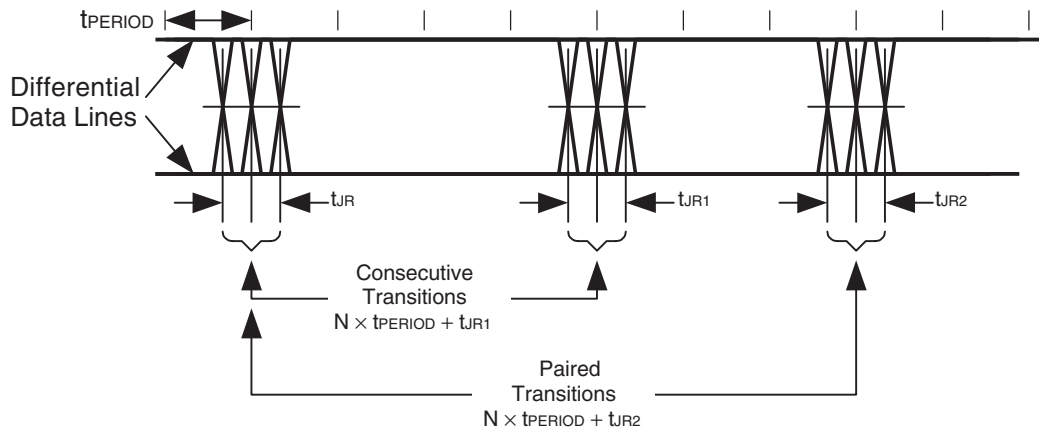


Figure 2-14. Low-/full-speed Disconnect Detection

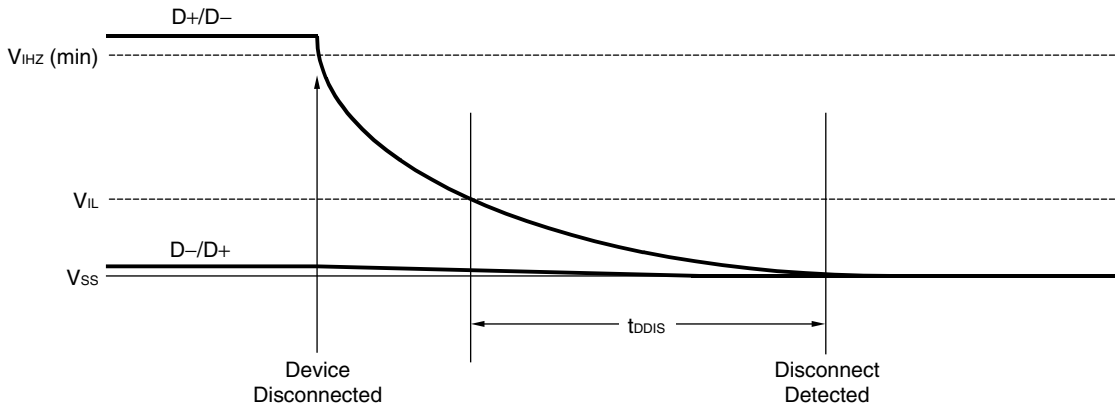


Figure 2-15. Full-/high-speed Device Connect Detection

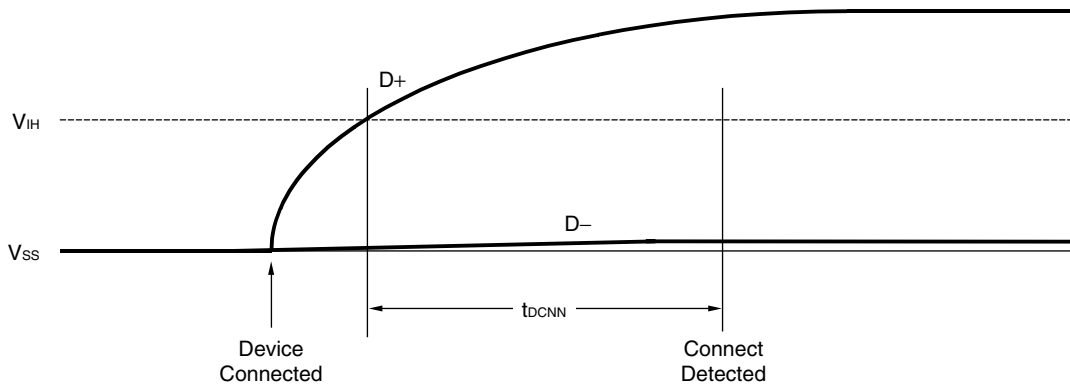


Figure 2-16. Power-on and Connection Events Timing

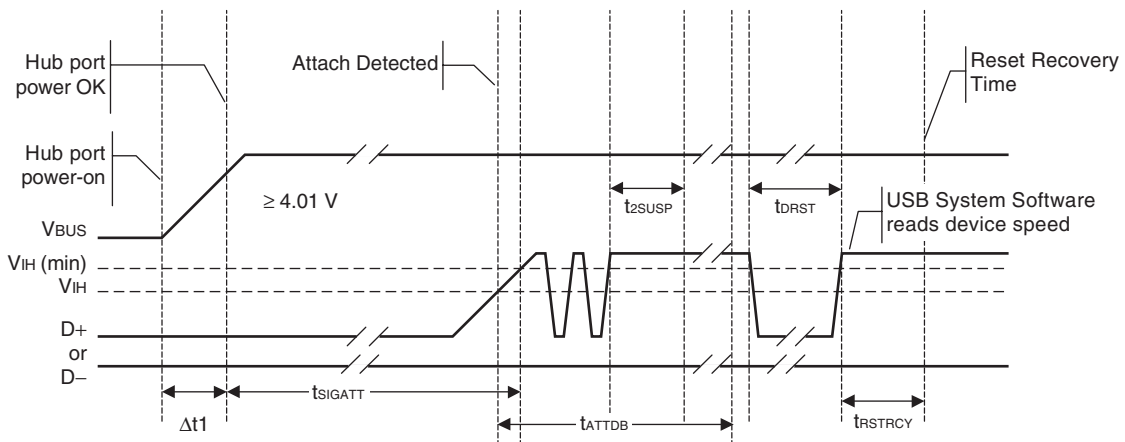


Figure 2-17. Clock Output

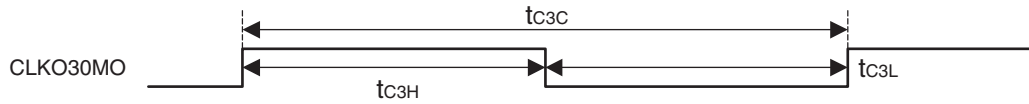
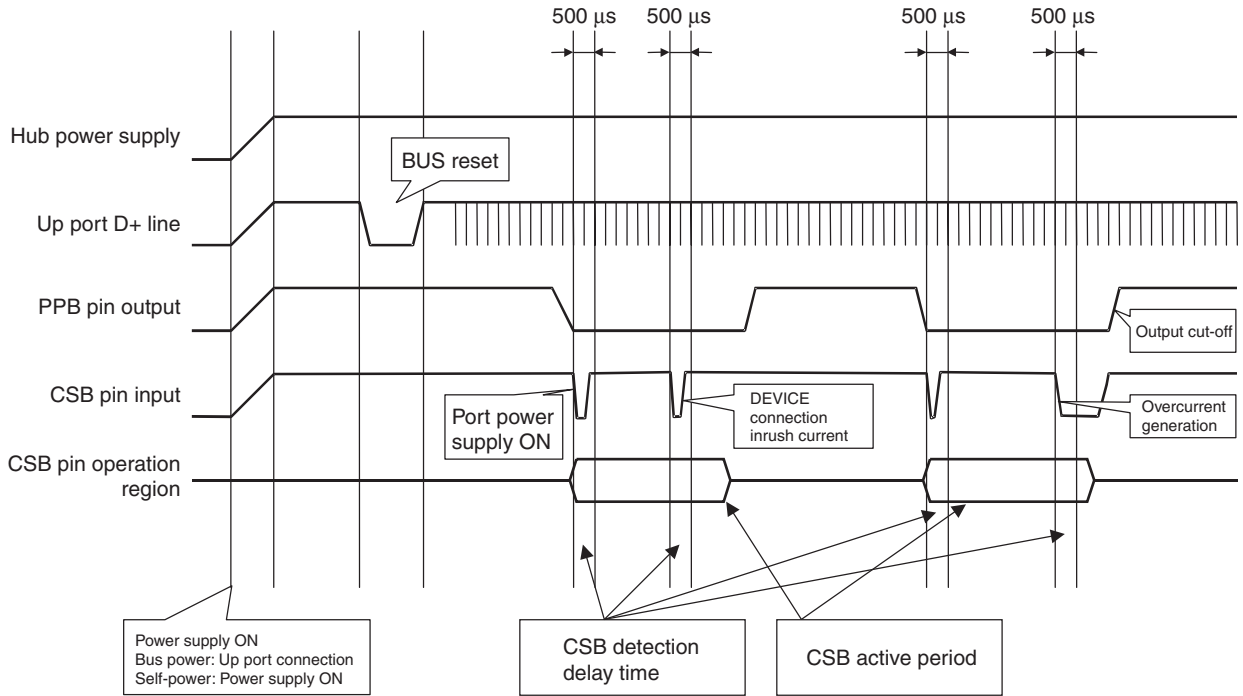
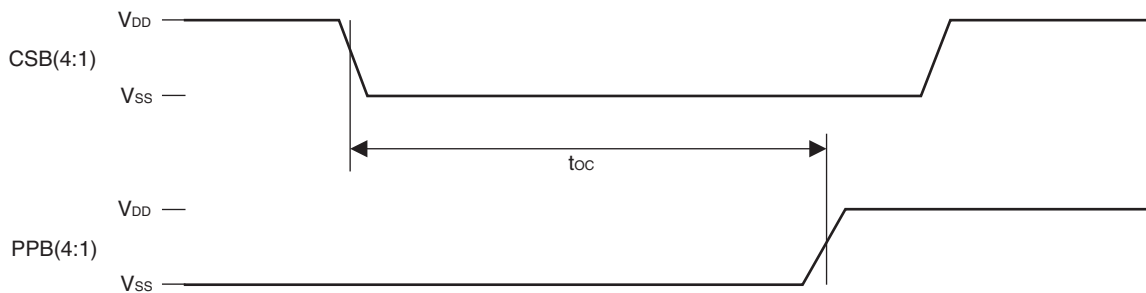


Figure 2-18. CSB/PPB Timing



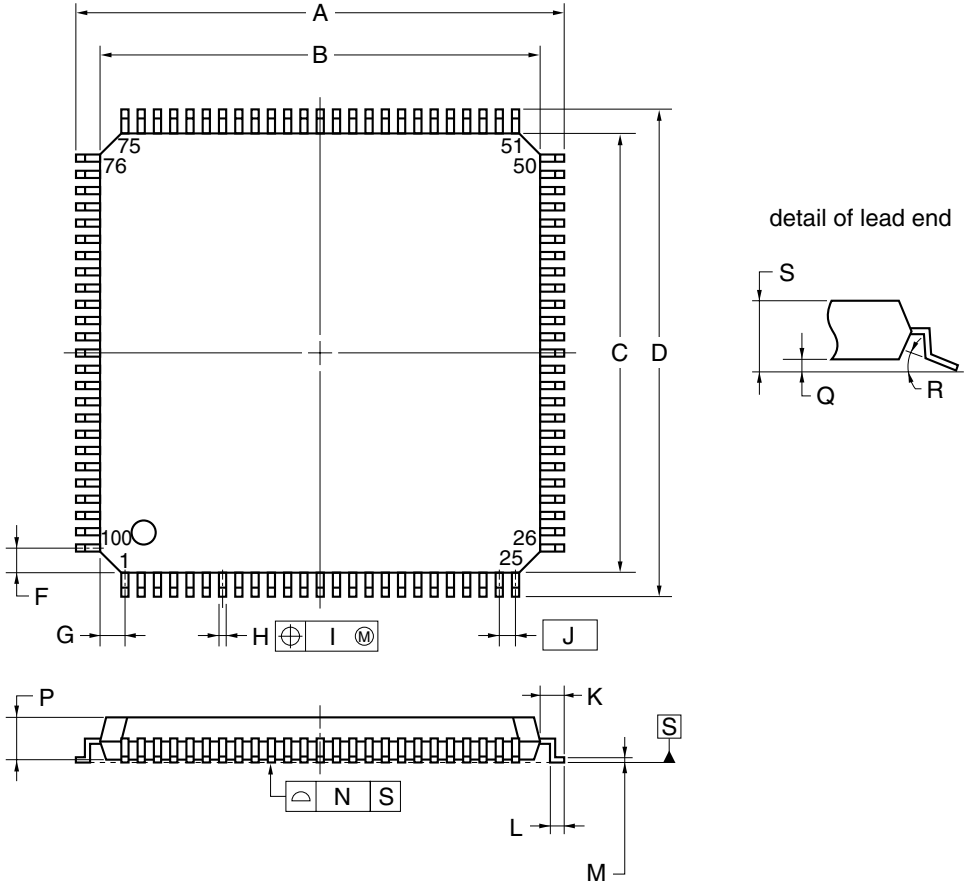
Note The active period of the CSB pin is in effect only when the PPB pin is ON. There is a delay time of approximately 500 μ s duration at the CSB pin.

Figure 2-19. Overcurrent Response Timing



3. PACKAGE DRAWING

100-PIN PLASTIC LQFP (FINE PITCH) (14x14)



NOTE
 Each lead centerline is located within 0.08 mm of its true position (T.P.) at maximum material condition.

ITEM	MILLIMETERS
A	16.00±0.20
B	14.00±0.20
C	14.00±0.20
D	16.00±0.20
F	1.00
G	1.00
H	0.22 ^{+0.05} _{-0.04}
I	0.08
J	0.50 (T.P.)
K	1.00±0.20
L	0.50±0.20
M	0.17 ^{+0.03} _{-0.07}
N	0.08
P	1.40±0.05
Q	0.10±0.05
R	3 [°] _{-3[°]}
S	1.60 MAX.

S100GC-50-8EU, 8EA-2

4. RECOMMENDED SOLDERING CONDITIONS

The μPD720110A should be soldered and mounted under the following recommended conditions.

For soldering methods and conditions other than those recommended below, contact your NEC Electronics sales representative.

For technical information, see the following website.

Semiconductor Device Mount Manual (<http://www.necel.com/pkg/en/mount/index.html>)

μPD720110AGC-8EA: 100-pin plastic LQFP (Fine pitch) (14 × 14)

Soldering Method	Soldering Conditions	Symbol
★ Infrared reflow	Package peak temperature: 235°C, Time: 30 seconds max. (at 210°C or higher), Count: Three times or less Exposure limit: 3 days ^{Note} (after that, prebake at 125°C for 10 hours)	IR35-103-3
Partial heating	Pin temperature: 300°C max., Time: 3 seconds max. (per pin row)	–

Note After opening the dry pack, store it at 25°C or less and 65% RH or less for the allowable storage period.

μPD720110AGC-8EA-A: 100-pin plastic LQFP (Fine pitch) (14 × 14) Lead-free product

Soldering Method	Soldering Conditions	Symbol
★ Infrared reflow	Package peak temperature: 260°C, Time: 60 seconds max. (at 220°C or higher), Count: Three times or less Exposure limit: 3 days ^{Note} (after that, prebake at 125°C for 10 hours)	IR60-103-3
Partial heating	Pin temperature: 300°C max., Time: 3 seconds max. (per pin row)	–

Note After opening the dry pack, store it at 25°C or less and 65% RH or less for the allowable storage period.

[MEMO]

[MEMO]

[MEMO]

NOTES FOR CMOS DEVICES

① VOLTAGE APPLICATION WAVEFORM AT INPUT PIN

Waveform distortion due to input noise or a reflected wave may cause malfunction. If the input of the CMOS device stays in the area between V_{IL} (MAX) and V_{IH} (MIN) due to noise, etc., the device may malfunction. Take care to prevent chattering noise from entering the device when the input level is fixed, and also in the transition period when the input level passes through the area between V_{IL} (MAX) and V_{IH} (MIN).

② HANDLING OF UNUSED INPUT PINS

Unconnected CMOS device inputs can be cause of malfunction. If an input pin is unconnected, it is possible that an internal input level may be generated due to noise, etc., causing malfunction. CMOS devices behave differently than Bipolar or NMOS devices. Input levels of CMOS devices must be fixed high or low by using pull-up or pull-down circuitry. Each unused pin should be connected to V_{DD} or GND via a resistor if there is a possibility that it will be an output pin. All handling related to unused pins must be judged separately for each device and according to related specifications governing the device.

③ PRECAUTION AGAINST ESD

A strong electric field, when exposed to a MOS device, can cause destruction of the gate oxide and ultimately degrade the device operation. Steps must be taken to stop generation of static electricity as much as possible, and quickly dissipate it when it has occurred. Environmental control must be adequate. When it is dry, a humidifier should be used. It is recommended to avoid using insulators that easily build up static electricity. Semiconductor devices must be stored and transported in an anti-static container, static shielding bag or conductive material. All test and measurement tools including work benches and floors should be grounded. The operator should be grounded using a wrist strap. Semiconductor devices must not be touched with bare hands. Similar precautions need to be taken for PW boards with mounted semiconductor devices.

④ STATUS BEFORE INITIALIZATION

Power-on does not necessarily define the initial status of a MOS device. Immediately after the power source is turned ON, devices with reset functions have not yet been initialized. Hence, power-on does not guarantee output pin levels, I/O settings or contents of registers. A device is not initialized until the reset signal is received. A reset operation must be executed immediately after power-on for devices with reset functions.

⑤ POWER ON/OFF SEQUENCE

In the case of a device that uses different power supplies for the internal operation and external interface, as a rule, switch on the external power supply after switching on the internal power supply. When switching the power supply off, as a rule, switch off the external power supply and then the internal power supply. Use of the reverse power on/off sequences may result in the application of an overvoltage to the internal elements of the device, causing malfunction and degradation of internal elements due to the passage of an abnormal current.

The correct power on/off sequence must be judged separately for each device and according to related specifications governing the device.

⑥ INPUT OF SIGNAL DURING POWER OFF STATE

Do not input signals or an I/O pull-up power supply while the device is not powered. The current injection that results from input of such a signal or I/O pull-up power supply may cause malfunction and the abnormal current that passes in the device at this time may cause degradation of internal elements. Input of signals during the power off state must be judged separately for each device and according to related specifications governing the device.

USB logo is a trademark of USB Implementers Forum, Inc.

- **The information in this document is current as of March, 2005. The information is subject to change without notice. For actual design-in, refer to the latest publications of NEC Electronics data sheets or data books, etc., for the most up-to-date specifications of NEC Electronics products. Not all products and/or types are available in every country. Please check with an NEC Electronics sales representative for availability and additional information.**
- No part of this document may be copied or reproduced in any form or by any means without the prior written consent of NEC Electronics. NEC Electronics assumes no responsibility for any errors that may appear in this document.
- NEC Electronics does not assume any liability for infringement of patents, copyrights or other intellectual property rights of third parties by or arising from the use of NEC Electronics products listed in this document or any other liability arising from the use of such products. No license, express, implied or otherwise, is granted under any patents, copyrights or other intellectual property rights of NEC Electronics or others.
- Descriptions of circuits, software and other related information in this document are provided for illustrative purposes in semiconductor product operation and application examples. The incorporation of these circuits, software and information in the design of a customer's equipment shall be done under the full responsibility of the customer. NEC Electronics assumes no responsibility for any losses incurred by customers or third parties arising from the use of these circuits, software and information.
- While NEC Electronics endeavors to enhance the quality, reliability and safety of NEC Electronics products, customers agree and acknowledge that the possibility of defects thereof cannot be eliminated entirely. To minimize risks of damage to property or injury (including death) to persons arising from defects in NEC Electronics products, customers must incorporate sufficient safety measures in their design, such as redundancy, fire-containment and anti-failure features.
- NEC Electronics products are classified into the following three quality grades: "Standard", "Special" and "Specific".

The "Specific" quality grade applies only to NEC Electronics products developed based on a customer-designated "quality assurance program" for a specific application. The recommended applications of an NEC Electronics product depend on its quality grade, as indicated below. Customers must check the quality grade of each NEC Electronics product before using it in a particular application.

"Standard": Computers, office equipment, communications equipment, test and measurement equipment, audio and visual equipment, home electronic appliances, machine tools, personal electronic equipment and industrial robots.

"Special": Transportation equipment (automobiles, trains, ships, etc.), traffic control systems, anti-disaster systems, anti-crime systems, safety equipment and medical equipment (not specifically designed for life support).

"Specific": Aircraft, aerospace equipment, submersible repeaters, nuclear reactor control systems, life support systems and medical equipment for life support, etc.

The quality grade of NEC Electronics products is "Standard" unless otherwise expressly specified in NEC Electronics data sheets or data books, etc. If customers wish to use NEC Electronics products in applications not intended by NEC Electronics, they must contact an NEC Electronics sales representative in advance to determine NEC Electronics' willingness to support a given application.

(Note)

- (1) "NEC Electronics" as used in this statement means NEC Electronics Corporation and also includes its majority-owned subsidiaries.
- (2) "NEC Electronics products" means any product developed or manufactured by or for NEC Electronics (as defined above).