

To our customers,

---

## Old Company Name in Catalogs and Other Documents

---

On April 1<sup>st</sup>, 2010, NEC Electronics Corporation merged with Renesas Technology Corporation, and Renesas Electronics Corporation took over all the business of both companies. Therefore, although the old company name remains in this document, it is a valid Renesas Electronics document. We appreciate your understanding.

Renesas Electronics website: <http://www.renesas.com>

April 1<sup>st</sup>, 2010  
Renesas Electronics Corporation

Issued by: Renesas Electronics Corporation (<http://www.renesas.com>)

Send any inquiries to <http://www.renesas.com/inquiry>.

## Notice

1. All information included in this document is current as of the date this document is issued. Such information, however, is subject to change without any prior notice. Before purchasing or using any Renesas Electronics products listed herein, please confirm the latest product information with a Renesas Electronics sales office. Also, please pay regular and careful attention to additional and different information to be disclosed by Renesas Electronics such as that disclosed through our website.
2. Renesas Electronics does not assume any liability for infringement of patents, copyrights, or other intellectual property rights of third parties by or arising from the use of Renesas Electronics products or technical information described in this document. No license, express, implied or otherwise, is granted hereby under any patents, copyrights or other intellectual property rights of Renesas Electronics or others.
3. You should not alter, modify, copy, or otherwise misappropriate any Renesas Electronics product, whether in whole or in part.
4. Descriptions of circuits, software and other related information in this document are provided only to illustrate the operation of semiconductor products and application examples. You are fully responsible for the incorporation of these circuits, software, and information in the design of your equipment. Renesas Electronics assumes no responsibility for any losses incurred by you or third parties arising from the use of these circuits, software, or information.
5. When exporting the products or technology described in this document, you should comply with the applicable export control laws and regulations and follow the procedures required by such laws and regulations. You should not use Renesas Electronics products or the technology described in this document for any purpose relating to military applications or use by the military, including but not limited to the development of weapons of mass destruction. Renesas Electronics products and technology may not be used for or incorporated into any products or systems whose manufacture, use, or sale is prohibited under any applicable domestic or foreign laws or regulations.
6. Renesas Electronics has used reasonable care in preparing the information included in this document, but Renesas Electronics does not warrant that such information is error free. Renesas Electronics assumes no liability whatsoever for any damages incurred by you resulting from errors in or omissions from the information included herein.
7. Renesas Electronics products are classified according to the following three quality grades: “Standard”, “High Quality”, and “Specific”. The recommended applications for each Renesas Electronics product depends on the product’s quality grade, as indicated below. You must check the quality grade of each Renesas Electronics product before using it in a particular application. You may not use any Renesas Electronics product for any application categorized as “Specific” without the prior written consent of Renesas Electronics. Further, you may not use any Renesas Electronics product for any application for which it is not intended without the prior written consent of Renesas Electronics. Renesas Electronics shall not be in any way liable for any damages or losses incurred by you or third parties arising from the use of any Renesas Electronics product for an application categorized as “Specific” or for which the product is not intended where you have failed to obtain the prior written consent of Renesas Electronics. The quality grade of each Renesas Electronics product is “Standard” unless otherwise expressly specified in a Renesas Electronics data sheets or data books, etc.
  - “Standard”: Computers; office equipment; communications equipment; test and measurement equipment; audio and visual equipment; home electronic appliances; machine tools; personal electronic equipment; and industrial robots.
  - “High Quality”: Transportation equipment (automobiles, trains, ships, etc.); traffic control systems; anti-disaster systems; anti-crime systems; safety equipment; and medical equipment not specifically designed for life support.
  - “Specific”: Aircraft; aerospace equipment; submersible repeaters; nuclear reactor control systems; medical equipment or systems for life support (e.g. artificial life support devices or systems), surgical implantations, or healthcare intervention (e.g. excision, etc.), and any other applications or purposes that pose a direct threat to human life.
8. You should use the Renesas Electronics products described in this document within the range specified by Renesas Electronics, especially with respect to the maximum rating, operating supply voltage range, movement power voltage range, heat radiation characteristics, installation and other product characteristics. Renesas Electronics shall have no liability for malfunctions or damages arising out of the use of Renesas Electronics products beyond such specified ranges.
9. Although Renesas Electronics endeavors to improve the quality and reliability of its products, semiconductor products have specific characteristics such as the occurrence of failure at a certain rate and malfunctions under certain use conditions. Further, Renesas Electronics products are not subject to radiation resistance design. Please be sure to implement safety measures to guard them against the possibility of physical injury, and injury or damage caused by fire in the event of the failure of a Renesas Electronics product, such as safety design for hardware and software including but not limited to redundancy, fire control and malfunction prevention, appropriate treatment for aging degradation or any other appropriate measures. Because the evaluation of microcomputer software alone is very difficult, please evaluate the safety of the final products or system manufactured by you.
10. Please contact a Renesas Electronics sales office for details as to environmental matters such as the environmental compatibility of each Renesas Electronics product. Please use Renesas Electronics products in compliance with all applicable laws and regulations that regulate the inclusion or use of controlled substances, including without limitation, the EU RoHS Directive. Renesas Electronics assumes no liability for damages or losses occurring as a result of your noncompliance with applicable laws and regulations.
11. This document may not be reproduced or duplicated, in any form, in whole or in part, without prior written consent of Renesas Electronics.
12. Please contact a Renesas Electronics sales office if you have any questions regarding the information contained in this document or Renesas Electronics products, or if you have any other inquiries.

(Note 1) “Renesas Electronics” as used in this document means Renesas Electronics Corporation and also includes its majority-owned subsidiaries.

(Note 2) “Renesas Electronics product(s)” means any product developed or manufactured by or for Renesas Electronics.

## 4-BIT SINGLE-CHIP MICROCONTROLLER

### FOR INFRARED REMOTE CONTROL TRANSMISSION

#### DESCRIPTION

Equipped with low-voltage 1.8 V operation, a carrier generation circuit for infrared remote control transmission, a standby release function through key entry, and a programmable timer, the  $\mu$ PD6604 is suitable for infrared remote control transmitters.

- ★ For the  $\mu$ PD6604, we have made available the one-time PROM product  $\mu$ PD66P04B for program evaluation or small-quantity production.

#### FEATURES

- Program memory (ROM) : 1002  $\times$  10 bits
- Data memory (RAM) : 32  $\times$  4 bits
- Built-in carrier generation circuit for infrared remote control
- 9-bit programmable timer : 1 channel
- Command execution time : 8  $\mu$ s (when operating at  $f_{osc} = 1$  MHz: RC oscillation)
- Stack level : 1 level (Stack RAM is for data memory RF as well.)
- I/O pins ( $K_{I/O}$ ) : 8 pins
- Input pins ( $K_I$ ) : 4 pins
- Sense input pin ( $S_0$ ) : 1 pin
- $S_1/\overline{LED}$  pin (I/O) : 1 pin (When in output mode, this is the remote control transmission display pin.)
- Power supply voltage :  $V_{DD} = 1.8$  to 3.6 V (when operating at  $f_{osc} = 500$  kHz)  
 $V_{DD} = 2.2$  to 3.6 V (when operating at  $f_{osc} = 1$  MHz)
- Operating ambient temperature :  $T_A = -40$  to + 85  $^{\circ}$ C
- Oscillator frequency :  $f_{osc} = 300$  kHz to 1 MHz
- POC circuit (Mask option)

#### APPLICATION

Infrared remote control transmitter (for key-less entry)

Because the  $\mu$ PD6604 uses an RC oscillation system clock, its accuracy and stability are lower than the models using ceramic oscillation.

In applications where the clock accuracy and stability pose a problem, use the  $\mu$ PD6134 (ceramic oscillation type).

The information in this document is subject to change without notice. Before using this document, please confirm that this is the latest version.

Not all devices/types available in every country. Please check with local NEC representative for availability and additional information.

**ORDERING INFORMATION**

Part Number	Package
μPD6604GS-xxx	20-pin plastic SOP (300 mil)
μPD6604GS-xxx-GJG	20-pin plastic shrink SOP (300 mil)

**Remark** xxx indicates ROM code suffix.

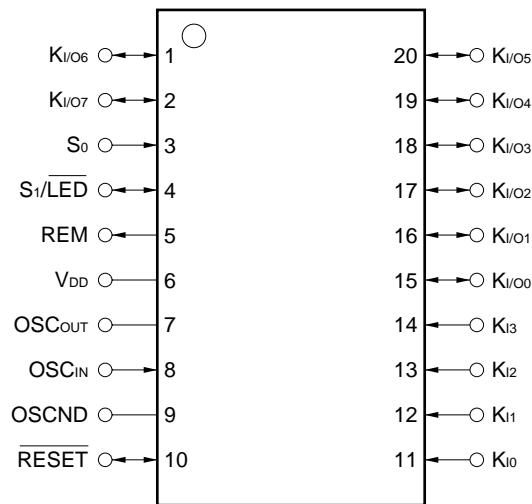
**PIN CONFIGURATION (TOP VIEW)**

**20-pin Plastic SOP**

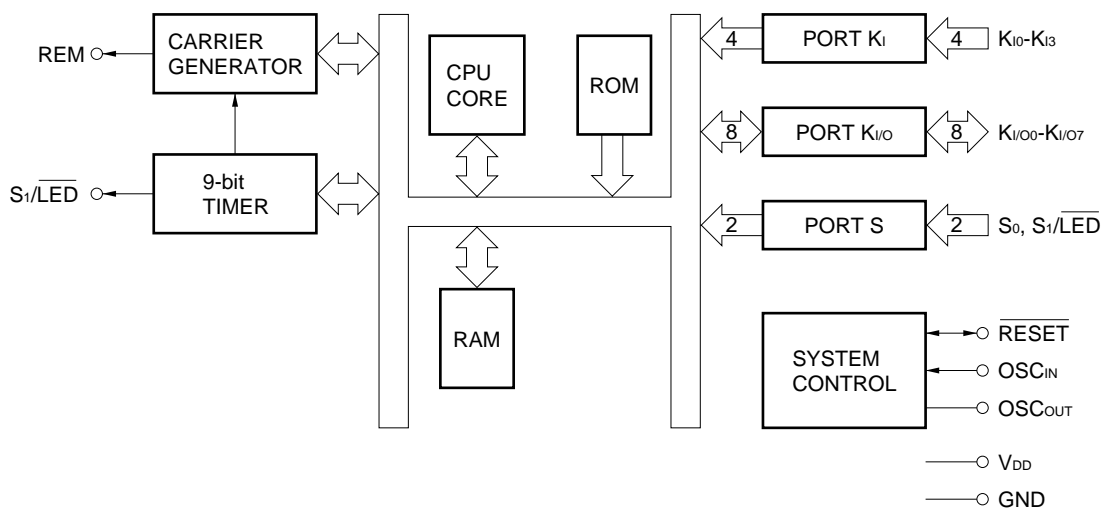
- μPD6604GS-xxx

**20-pin Plastic Shrink SOP**

- μPD6604GS-xxx-GJG



**BLOCK DIAGRAM**



LIST OF FUNCTIONS

★

Item	μPD6604	μPD66P04B
ROM capacity	1002 × 10 bits	
	Mask ROM	One-time PROM
RAM capacity	32 × 4 bits	
Stack	1 level (multiplexed with RF of RAM)	
I/O pins	<ul style="list-style-type: none"> <li>• Key input (K<sub>i</sub>) : 4</li> <li>• Key I/O (K<sub>i/o</sub>) : 8</li> <li>• Key extended input (S<sub>0</sub>, S<sub>1</sub>) : 2</li> <li>• Remote control transmission display output (<math>\overline{\text{LED}}</math>) : 1 (multiplexed with S<sub>1</sub> pin)</li> </ul>	
Number of keys	<ul style="list-style-type: none"> <li>• 32 keys</li> <li>• 48 keys (when extended by key extension input)</li> <li>• 96 keys (when extended by key extension input and diode)</li> </ul>	
Clock frequency	RC oscillation <ul style="list-style-type: none"> <li>• f<sub>osc</sub> = 300 kHz to 1 MHz</li> <li>• f<sub>osc</sub> = 300 to 500 kHz (with POC circuit)</li> </ul>	
Instruction execution time	8 μs (f <sub>osc</sub> = 1 MHz)	
Carrier frequency	f <sub>osc</sub> , f <sub>osc</sub> /2, f <sub>osc</sub> /8, f <sub>osc</sub> /12, f <sub>osc</sub> /16, f <sub>osc</sub> /24, no carrier (high level)	
Timer	9-bit programmable timer: 1 channel	
POC circuit	Mask option	Provided
Supply voltage	<ul style="list-style-type: none"> <li>• V<sub>DD</sub> = 1.8 to 3.8 V</li> <li>• V<sub>DD</sub> = 2.2 to 3.6 V (with POC circuit)</li> </ul>	V <sub>DD</sub> = 2.2 to 3.6 V
Operating ambient temperature	<ul style="list-style-type: none"> <li>• T<sub>A</sub> = -40 to +85 °C</li> <li>• T<sub>A</sub> = -20 to +70 °C (with POC circuit)</li> </ul>	
Package	<ul style="list-style-type: none"> <li>• 20-pin plastic SOP (300 mil)</li> <li>• 20-pin plastic shrink SOP (300 mil)</li> </ul>	

★

## CONTENTS

<b>1. PIN FUNCTIONS</b> .....	<b>6</b>
1.1 List of Pin Functions .....	6
1.2 Input/Output Circuits of Pins .....	7
1.3 Dealing with Unused Pins .....	8
<b>2. INTERNAL CPU FUNCTIONS</b> .....	<b>9</b>
2.1 Program Counter (PC) .....	9
2.2 Stack Pointer (SP) .....	9
2.3 Address Stack Register (ASR (RF)) .....	9
2.4 Program Memory (ROM) .....	10
2.5 Data Memory (RAM) .....	10
2.6 Data Pointer (DP) .....	11
2.7 Accumulator (A) .....	11
2.8 Arithmetic and Logic Unit (ALU) .....	12
2.9 Flags .....	12
2.9.1 Status flag (F) .....	12
2.9.2 Carry flag (CY) .....	13
<b>3. PORT REGISTERS (PX)</b> .....	<b>14</b>
3.1 $K_{I/O}$ Port (P0) .....	15
3.2 $K_I$ Port/Special Ports (P1) .....	16
3.2.1 $K_I$ port (P11: bits 4-7 of P1) .....	16
3.2.2 $S_0$ port (bit 2 of P1) .....	16
3.2.3 $S_1/\overline{LED}$ (bit 3 of P1) .....	16
3.3 Control Register 0 (P3) .....	17
3.4 Control Register 1 (P4) .....	18
<b>4. TIMER</b> .....	<b>19</b>
4.1 Timer Configuration .....	19
4.2 Timer Operation .....	20
4.3 Carrier Output .....	21
4.4 Software Control of Timer Output .....	21
<b>5. STANDBY FUNCTION</b> .....	<b>22</b>
5.1 Outline of Standby Function .....	22
5.2 Standby Mode Setup and Release .....	23
5.3 Standby Mode Release Timing .....	24
<b>6. <math>\overline{RESET}</math> PIN</b> .....	<b>26</b>
<b>7. POC CIRCUIT (MASK OPTION)</b> .....	<b>27</b>
7.1 Functions of POC Circuit .....	28
<b>8. SYSTEM CLOCK OSCILLATOR</b> .....	<b>29</b>

<b>9. INSTRUCTION SET .....</b>	<b>31</b>
9.1 Machine Language Output by Assembler .....	31
9.2 Circuit Symbol Description .....	32
9.3 Mnemonic to/from Machine Language (Assembler Output) Contrast Table .....	33
9.4 Accumulator Operation Instructions .....	37
9.5 Input/Output Instructions .....	40
9.6 Data Transfer Instruction .....	41
9.7 Branch Instructions .....	43
9.8 Subroutine Instructions .....	44
9.9 Timer Operation Instructions .....	45
9.10 Others .....	46
<b>10. ASSEMBLER RESERVED WORDS .....</b>	<b>48</b>
10.1 Mask Option Directives .....	48
10.1.1 OPTION and ENDOP directives .....	48
10.1.2 Mask option definition directive .....	48
<b>11. ELECTRICAL SPECIFICATIONS .....</b>	<b>49</b>
<b>12. CHARACTERISTIC CURVE (REFERENCE VALUES) .....</b>	<b>52</b>
<b>13. APPLIED CIRCUIT EXAMPLE .....</b>	<b>54</b>
<b>14. PACKAGE DRAWINGS .....</b>	<b>55</b>
<b>15. RECOMMENDED SOLDERING CONDITIONS .....</b>	<b>57</b>
<b>APPENDIX A. DEVELOPMENT TOOLS .....</b>	<b>58</b>
<b>APPENDIX B. FUNCTIONAL COMPARISON BETWEEN μPD6604 AND                   OTHER SUBSERIES .....</b>	<b>59</b>
<b>APPENDIX C. EXAMPLE OF REMOTE-CONTROL TRANSMISSION FORMAT .....</b>	<b>60</b>

## 1. PIN FUNCTIONS

### 1.1 List of Pin Functions

Pin No.	Symbol	Function	Output Format	When Reset
1 2 15-20	$K_{I/O0}-K_{I/O7}$	These pins refer to the 8-bit I/O ports. I/O switching can be made in 8-bit units. In INPUT mode, a pull-down resistor is added. In OUTPUT mode, they can be used as the key scan output of the key matrix.	CMOS push-pull <sup>Note 1</sup>	High-level output
3	$S_0$	Refers to the input port. Can also be used as the key return input of the key matrix. In INPUT mode, the availability of the pull-down resistor of the $S_0$ and $S_1$ ports can be specified by software in terms in 2-bit units. If INPUT mode is canceled by software, this pin is placed in OFF mode and enters the high-impedance state.	—	High-impedance (OFF mode)
4	$S_1/\overline{LED}$	Refers to the I/O port. In INPUT mode ( $S_1$ ), this pin can also be used as the key return input of the key matrix. The availability of the pull-down resistor of the $S_0$ and $S_1$ ports can be specified by software in 2-bit units. In OUTPUT mode ( $\overline{LED}$ ), it becomes the remote control transmission display output (active low). When the remote control carrier is output from the REM output, this pin outputs the low level from the $\overline{LED}$ output synchronously with the REM signal.	CMOS push-pull	High-level output (LED)
5	REM	Refers to the infrared remote control transmission output. The output is active high. Carrier frequency: $f_{osc}$ , $f_{osc}/8$ , $f_{osc}/12$ , high-level, $f_{osc}/2$ , $f_{osc}/16$ , $f_{osc}/24$ (usable on software)	CMOS push-pull	Low-level output
6	$V_{DD}$	Refers to the power supply.	—	—
7	$OSC_{IN}$	These pins refer to the pins for RC oscillation.	—	High-impedance (oscillation stopped)
8	$OSC_{OUT}$			Low level (oscillation stopped)
9	GND	Refers to the ground.	—	—
10	$\overline{RESET}$	Normally, this pin is a system reset input. By inputting a low level, the CPU can be reset. When resetting with the POC circuit (mask option) a low level is output. A pull-up resistor is incorporated.	—	—
11-14	$K_{I0}-K_{I3}$ <sup>Note 2</sup>	These pins refer to the 4-bit input ports. They can be used as the key return input of the key matrix. The use of the pull-down resistor can be specified by software in 4-bit units.	—	Input (Low-level)

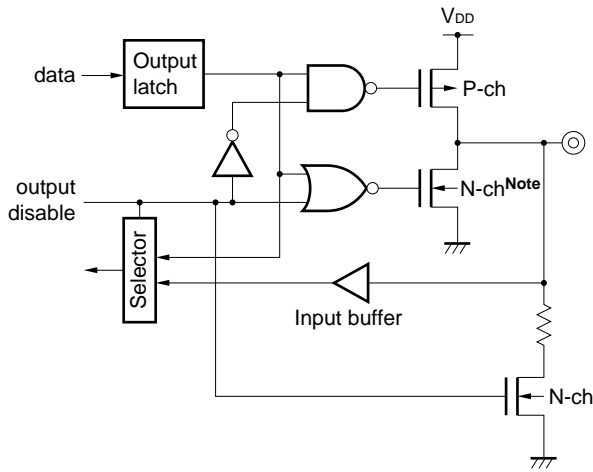
- Notes**
1. Be careful about this because the drive capability of the low-level output side is held low.
  2. In order to prevent malfunction, be sure to input a low level to more than one of pins  $K_{I0}$  to  $K_{I3}$  when reset is released (when  $\overline{RESET}$  pin changes from low level to high level, or POC is released due to supply voltage startup).



### 1.2 Input/Output Circuits of Pins

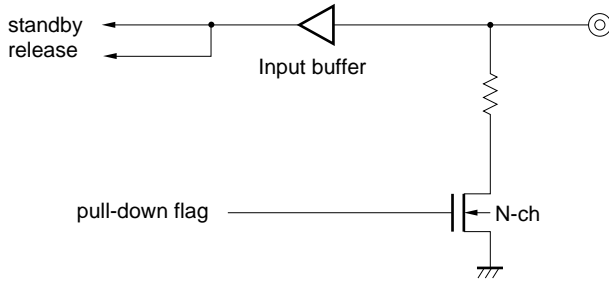
The input/output circuits of the  $\mu$ PD6604 pins are shown in partially simplified forms below.

(1)  $K_{I/O0}$ - $K_{I/O7}$

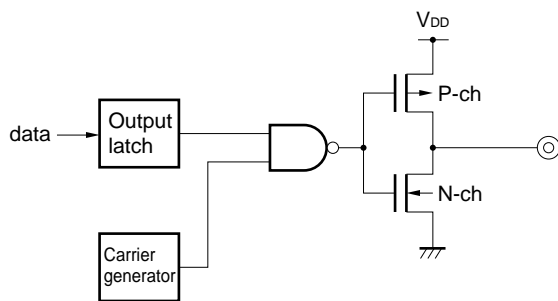


**Note** The drive capability is held low.

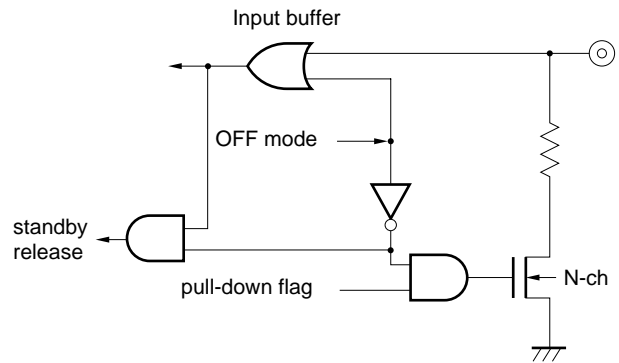
(2)  $K_{I0}$ - $K_{I3}$



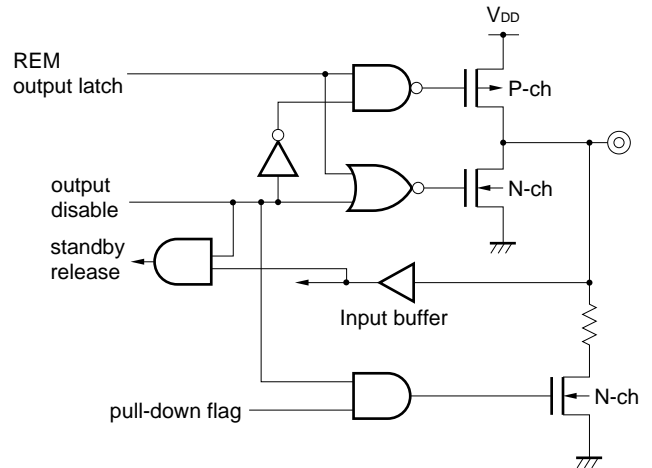
(3) REM



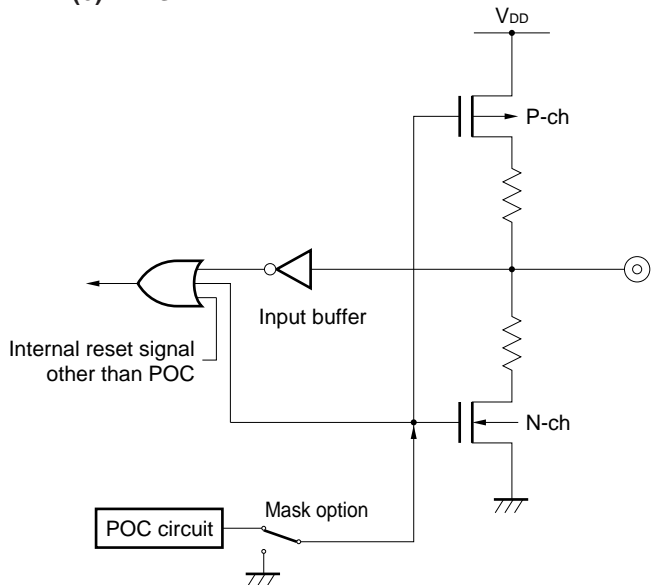
(4)  $S_0$



(5)  $S_1/\overline{LED}$



(6)  $\overline{RESET}$



### 1.3 Dealing with Unused Pins

The following connections are recommended for unused pins.

**Table 1-1. Connections for Unused Pins**

Pin		Connection	
		Inside the microcontroller	Outside the microcontroller
K <sub>I/O</sub>	INPUT mode	—	Open
	OUTPUT mode	High-level output	
REM		—	
S <sub>1</sub> /LED		OUTPUT mode (LED) setting	Directly connect to GND
S <sub>0</sub>		OFF mode setting	
K <sub>I</sub>		—	
RESET <sup>Note</sup>		Built-in POC circuit	Open

**Note** If the circuit is an applied one requiring high reliability, be sure to design it in such a manner that the  $\overline{\text{RESET}}$  signal is entered externally.

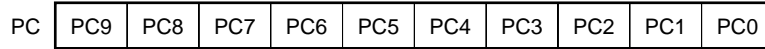
**Caution** The I/O mode and the terminal output level are recommended to be fixed by setting them repeatedly in each loop of the program.

## 2. INTERNAL CPU FUNCTIONS

### 2.1 Program Counter (PC): 10 Bits

Refers to the binary counter that holds the address information of the program memory.

Figure 2-1. Program Counter Organization



The program counter contains the address of the instruction that should be executed next. Normally, the counter contents are automatically incremented in accordance with the instruction length (byte count) each time an instruction is executed.

However, when executing JUMP instructions (JMP, JC, JNC, JF, JNF), the program counter contains the jump destination address written in the operand.

When executing the subroutine call instruction (CALL), the call destination address written in the operand is entered in the PC after the PC contents at the time are saved in the address stack register (ASR). If the return instruction (RET) is executed after the CALL instruction is executed, the address saved in the ASR is restored to the PC.

When reset, the value of the program counter becomes “000H”.

### 2.2 Stack Pointer (SP): 1 Bit

Refers to the 1-bit register which holds the status of the address stack register.

The stack pointer contents are incremented when the call instruction (CALL) is executed; they are decremented when the return instruction (RET) is executed.

When reset, the stack pointer contents are cleared to “0”.

When the stack pointer overflows (stack level 2 or more) or underflows, the CPU is hung up thus a system reset signal is generated and the PC becoming “000H”.

As no instruction is available to set a value directly for the stack pointer, it is not possible to operate the pointer by means of a program.

### 2.3 Address Stack Register (ASR (RF)): 10 Bits

The address stack register saves the return address of the program after a subroutine call instruction is executed.

The low-order 8 bits are arranged in the RF of the data memory as a dual-function RAM. The register holds the ASR value even after the RET is executed.

When reset, it holds the previous data (undefined when turning on the power).

**Caution** If the RF is accessed as the data memory, the high-order 2 bits of the ASR become undefined.

Figure 2-2. Address Stack Register Organization



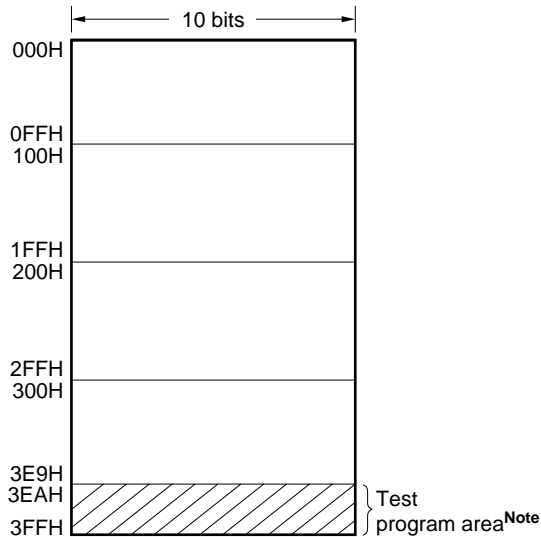
**2.4 Program Memory (ROM): 1002 Steps × 10 Bits**

The ROM consists of 10 bits per step, and is addressed by the program counter.

The program memory stores programs and table data, etc.

The 22 steps from 3E9H to 3FFH cannot be used in the test program area.

**Figure 2-3. Program Memory Map**



**Note** The test program area is so designed that a program or data placed in either of them by mistake is returned to the 000H address.

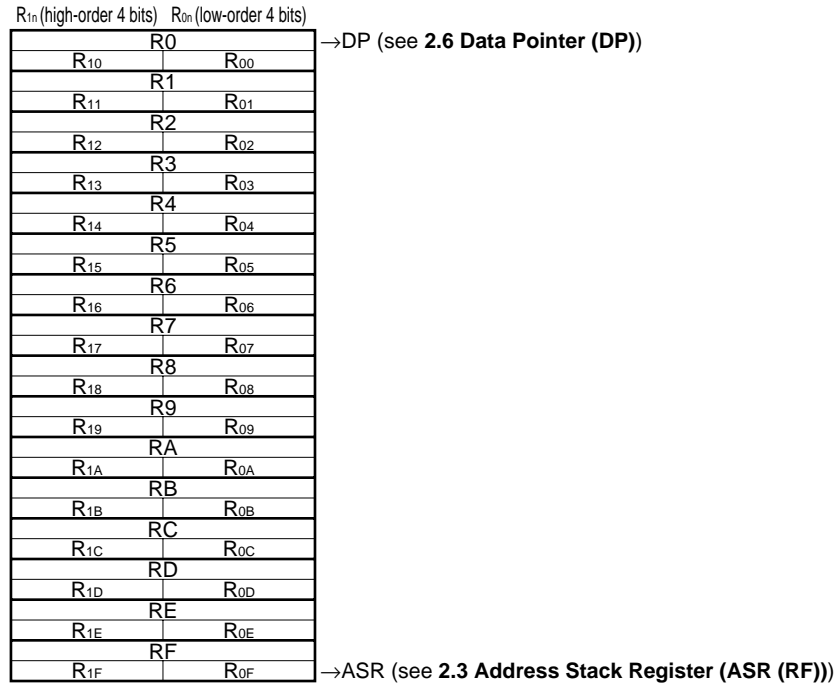
**2.5 Data Memory (RAM): 32 × 4 Bits**

The data memory, which is a static RAM consisting of 32 × 4 bits, is used to retain processed data. The data memory is sometimes processed in 8-bit units. R0 can be used as the ROM data pointer.

RF is also used as the ASR.

When reset, R0 is cleared to "00H" and R1 to RF retain the previous data (undefined when turning on the power).

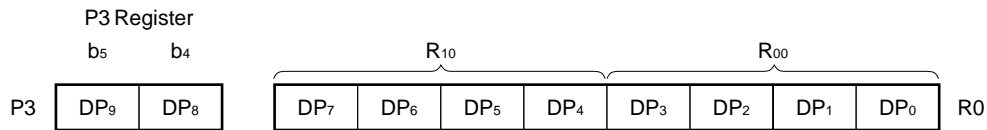
Figure 2-4. Data Memory Organization



**2.6 Data Pointer (DP): 10 Bits**

The ROM data table can be referenced by setting the ROM address in the data pointer to call the ROM contents. The low-order 8 bits of the ROM address are specified by R0 of the data memory; and the high-order 2 bits by bits 4 and 5 of the P3 register (CR0). When reset, the pointer contents become "000H".

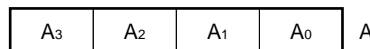
Figure 2-5. Data Pointer Organization



**2.7 Accumulator (A): 4 Bits**

The accumulator, which refers to a register consisting of 4 bits, plays a leading role in performing various operations. When reset, the accumulator contents are left undefined.

Figure 2-6. Accumulator Organization



**2.8 Arithmetic and Logic Unit (ALU): 4 Bits**

The arithmetic and logic unit (ALU), which refers to an arithmetic circuit consisting of 4 bits, executes simple manipulations with priority given to logical operations.

**2.9 Flags**

**2.9.1 Status flag (F)**

Pin and timer statuses can be checked by executing the STTS instruction to check the status flag.

The status flag is set (to 1) in the following cases.

- If the condition specified with the operand is met when the STTS instruction has been executed
- When STANDBY mode is canceled.
- When the cancelation condition is met at the point of executing the HALT instruction. (In this case, the system is not placed in STANDBY mode.)

Conversely, the status flag is cleared (to 0) in the following cases:

- If the condition specified with the operand is not met when the STTS instruction has been executed.
- When the status flag has been set (to 1), the HALT instruction executed, but the cancelation condition is not met at the point of executing the HALT instruction. (In this case, the system is not placed in STANDBY mode.)

**Table 2-1. Conditions for Status Flag (F) to be Set by STTS Instruction**

Operand Value of STTS Instruction				Condition for Status Flag (F) to be Set
b <sub>3</sub>	b <sub>2</sub>	b <sub>1</sub>	b <sub>0</sub>	
0	0	0	0	High level is input to at least one of K <sub>1</sub> pins.
	0	1	1	High level is input to at least one of K <sub>1</sub> pins.
	1	1	0	High level is input to at least one of K <sub>1</sub> pins.
	1	0	1	The down counter of the timer is 0.
1	Either of the combinations of b <sub>2</sub> , b <sub>1</sub> , and b <sub>0</sub> above.			[The following condition is added in addition to the above.] High level is input to at least one of S <sub>0</sub> and S <sub>1</sub> pins.

### 2.9.2 Carry flag (CY)

The carry flag is set (to 1) in the following cases:

- If the ANL instruction or the XRL instruction is executed when bit 3 of the accumulator is "1" and bit 3 of the operand is "1".
- If the RL instruction or the RLZ instruction is executed when bit 3 of the accumulator is "1".
- If the INC instruction or the SCAF instruction is executed when the value of the accumulator is 0FH.

The carry flag is cleared (to 0) in the following cases:

- If the ANL instruction or the XRL instruction is executed when at least either bit 3 of the accumulator or bit 3 of the operand is "0".
- If the RL instruction or the RLZ instruction is executed when bit 3 of the accumulator is "0".
- If the INC instruction or the SCAF instruction is executed when the value of the accumulator is other than 0FH.
- If the ORL instruction is executed.
- When Data is written to the accumulator by the MOV instruction or the IN instruction.

### 3. PORT REGISTERS (PX)

The K<sub>I/O</sub> port, the K<sub>I</sub> port, the special ports (S<sub>0</sub>, S<sub>1</sub>/ $\overline{\text{LED}}$ ), and the control register are treated as port registers. At reset, port register values are shown below.

Figure 3-1. Port Register Organization

Port Register								At Reset
P0								FFH
P <sub>10</sub>				P <sub>00</sub>				
K <sub>I/O7</sub>	K <sub>I/O6</sub>	K <sub>I/O5</sub>	K <sub>I/O4</sub>	K <sub>I/O3</sub>	K <sub>I/O2</sub>	K <sub>I/O1</sub>	K <sub>I/O0</sub>	
P1								× FH <sup>Note</sup>
P <sub>11</sub>				P <sub>01</sub>				
K <sub>I3</sub>	K <sub>I2</sub>	K <sub>I1</sub>	K <sub>I0</sub>	S <sub>1</sub> / $\overline{\text{LED}}$	S <sub>0</sub>	1	1	
P3 (Control register 0)								03H
P <sub>13</sub>				P <sub>03</sub>				
0	0	DP <sub>9</sub>	DP <sub>8</sub>	TCTL	CARY	MOD <sub>1</sub>	MOD <sub>0</sub>	
P4 (Control register 1)								26H
P <sub>14</sub>				P <sub>04</sub>				
0	0	K <sub>I</sub> pull-down	S <sub>0</sub> /S <sub>1</sub> pull-down	0	S <sub>1</sub> / $\overline{\text{LED}}$ mode	K <sub>I/O</sub> mode	S <sub>0</sub> mode	

**Note** ×: Refers to the value based on the K<sub>I</sub> pin state.

Table 3-1. Relationship between Ports and their Read/Write

Port Name	INPUT Mode		OUTPUT Mode	
	Read	Write	Read	Write
K <sub>I/O</sub>	Pin state	Output latch	Output latch	Output latch
K <sub>I</sub>	Pin state	—	—	—
S <sub>0</sub>	Pin state	—	<b>Note</b>	—
S <sub>1</sub> / $\overline{\text{LED}}$	Pin state	—	Pin state	—

**Note** When in OFF mode, “1” is normally read.



### 3.1 K<sub>I/O</sub> Port (P0)

The K<sub>I/O</sub> port is an 8-bit input/output port for key scan output.

INPUT/OUTPUT mode is set by bit 1 of the P4 register.

If a read instruction is executed, the pin state can be read in INPUT mode, whereas the output latch contents can be read in OUTPUT mode.

If the write instruction is executed, data can be written to the output latch regardless of INPUT or OUTPUT mode.

When reset, the port is placed in OUTPUT mode; and the value of the output latch (P0) becomes 1111 1111B.

The K<sub>I/O</sub> port contains the pull-down resistor, allowing pull-down in INPUT mode only.

**Caution** During double pressing of a key, a high-level output and a low-level output may coincide with each other at the K<sub>I/O</sub> port. To avoid this, the low-level output current of the K<sub>I/O</sub> port is held low. Therefore, be careful when using the K<sub>I/O</sub> port for purposes other than key scan output. The K<sub>I/O</sub> port is so designed that, even when connected directly to V<sub>DD</sub> within the normal supply voltage range (V<sub>DD</sub> = 1.8 to 3.6 V), no problem may occur.

Table 3-2. K<sub>I/O</sub> Port (P0)

Bit	b <sub>7</sub>	b <sub>6</sub>	b <sub>5</sub>	b <sub>4</sub>	b <sub>3</sub>	b <sub>2</sub>	b <sub>1</sub>	b <sub>0</sub>
Name	K <sub>I/O7</sub>	K <sub>I/O6</sub>	K <sub>I/O5</sub>	K <sub>I/O4</sub>	K <sub>I/O3</sub>	K <sub>I/O2</sub>	K <sub>I/O1</sub>	K <sub>I/O0</sub>

b<sub>0</sub>-b<sub>7</sub> : In reading : In INPUT mode, the K<sub>I/O</sub> pin's state is read.

In OUTPUT mode, the K<sub>I/O</sub> pin's output latch contents are read.

In writing : Data is written to the K<sub>I/O</sub> pin's output latch regardless of INPUT or OUTPUT mode.

### 3.2 K<sub>I</sub> Port/Special Ports (P1)

#### 3.2.1 K<sub>I</sub> port (P<sub>11</sub>: bits 4-7 of P1)

The K<sub>I</sub> port is to the 4-bit input port for key entry.

The pin state can be read.

Software can be used to set the availability of the pull-down resistor of the K<sub>I</sub> port in 4-bit units by means of bit 5 of the P4 register.

When reset, the pull-down resistor is connected.

**Table 3-3. K<sub>I</sub>/Special Port Register (P1)**

Bit	b <sub>7</sub>	b <sub>6</sub>	b <sub>5</sub>	b <sub>4</sub>	b <sub>3</sub>	b <sub>2</sub>	b <sub>1</sub>	b <sub>0</sub>
Name	K <sub>I3</sub>	K <sub>I2</sub>	K <sub>I1</sub>	K <sub>I0</sub>	S <sub>1</sub> /LED	S <sub>0</sub>	(Fixed to "1")	

b<sub>2</sub> : In INPUT mode, state of the S<sub>0</sub> pin is read (Read only).

In OFF mode, this bit is fixed to "1".

b<sub>3</sub> : The state of the S<sub>1</sub>/LED pin is read regardless of INPUT/OUTPUT mode (Read only).

b<sub>4</sub>-b<sub>7</sub> : The state of the K<sub>I</sub> pin is read (Read only).

**Caution** In order to prevent malfunction, be sure to input a low level to more than one of pins K<sub>I0</sub> to K<sub>I3</sub> when reset is released (when RESET pin changes from low level to high level, or POC is released due to supply voltage startup).

#### 3.2.2 S<sub>0</sub> port (bit 2 of P1)

The S<sub>0</sub> port is the INPUT/OFF mode port.

The pin state can be read by setting this port to INPUT mode with bit 0 of the P4 register.

In INPUT mode, software can be used to set the availability of the pull-down resistor of the S<sub>0</sub> and S<sub>1</sub>/LED port in 2-bit units by means of bit 4 of the P4 register.

If INPUT mode is canceled (thus set to OFF mode), the pin becomes high-impedance but it also makes that the through current does not flow internally. In OFF mode, "1" can be read regardless of the pin state.

When reset, it is set to OFF mode, thus becoming high-impedance.

#### 3.2.3 S<sub>1</sub>/LED (bit 3 of P1)

The S<sub>1</sub>/LED port is the input/output port.

It uses bit 2 of the P4 register to set INPUT or OUTPUT mode. The pin state can be read in both INPUT mode and OUTPUT mode.

When in INPUT mode, software can be used to set the availability of the pull-down resistor of the S<sub>0</sub> and S<sub>1</sub>/LED ports in 2-bit units by means of bit 4 of the P4 register.

When in OUTPUT mode, the pull-down resistor is automatically disconnected thus becoming the remote transmission display pin (see 4. TIMER).

When reset, it is placed in OUTPUT mode, and high level is output.

### 3.3 Control Register 0 (P3)

Control register 0 consists of 8 bits. The contents that can be controlled are as shown below. When reset, the register becomes 0000 0011B.

**Table 3-4. Control Register 0 (P3)**

Bit	b <sub>7</sub>	b <sub>6</sub>	b <sub>5</sub>	b <sub>4</sub>	b <sub>3</sub>	b <sub>2</sub>	b <sub>1</sub>	b <sub>0</sub>
Name	—	—	DP (Data pointer)		TCTL	CARY	MOD <sub>1</sub>	MOD <sub>0</sub>
			DP <sub>9</sub>	DP <sub>8</sub>				
Set value	0	Fixed to "0"	Fixed to "0"	0	0	1/1	ON	See <b>Table 3-5</b> .
	1			1	1	1/2	OFF	
When reset	0	0	0	0	0	0	0	1 1

- b<sub>0</sub>, b<sub>1</sub> : These bits specify the carrier frequency and duty ratio of the REM output.
- b<sub>2</sub> : This bit specifies the availability of the carrier of the frequency specified by b<sub>0</sub> and b<sub>1</sub>.  
"0" = ON (with carrier); "1" = OFF (without carrier; high level)
- b<sub>3</sub> : This bit changes the carrier frequency and the timer clock's frequency division ratio.  
"0" = 1/1 (carrier frequency: the specified value of b<sub>0</sub> and b<sub>1</sub>; timer clock: fosc/8)  
"1" = 1/2 (carrier frequency: half of the specified value of b<sub>0</sub> and b<sub>1</sub>; timer clock: fosc/16)

**Table 3-5. Timer Clock and Carrier Frequency Setup**

b <sub>3</sub>	b <sub>2</sub>	b <sub>1</sub>	b <sub>0</sub>	Timer Clock	Carrier Frequency (Duty Ratio)
0	0	0	0	fosc/8	fosc (Duty 1/2)
		0	1		fosc/8 (Duty 1/2)
		1	0		fosc/12 (Duty 1/2)
		1	1		fosc/12 (Duty 1/3)
	1	×	×	Without carrier (high level)	
1	0	0	0	fosc/16	fosc/2 (Duty 1/2)
		0	1		fosc/16 (Duty 1/2)
		1	0		fosc/24 (Duty 1/2)
		1	1		fosc/24 (Duty 1/3)
	1	×	×	Without carrier (high level)	

b<sub>4</sub> and b<sub>5</sub> : These bits specify the high-order 2 bits (DP<sub>8</sub> and DP<sub>9</sub>) of ROM's data pointer.

**Remark** ×: don't care

### 3.4 Control Register 1 (P4)

Control register 1 consists of 8 bits. The contents that can be controlled are as shown below. When reset, the register becomes 0010 0110B.

**Table 3-6. Control Register 1 (P4)**

Bit		b <sub>7</sub>	b <sub>6</sub>	b <sub>5</sub>	b <sub>4</sub>	b <sub>3</sub>	b <sub>2</sub>	b <sub>1</sub>	b <sub>0</sub>
Name		—	—	K <sub>I</sub> Pull-down	S <sub>0</sub> /S <sub>1</sub> Pull-down	—	S <sub>1</sub> / $\overline{\text{LED}}$ mode	K <sub>I/O</sub> mode	S <sub>0</sub> mode
Set value	0	Fixed	Fixed	OFF	OFF	Fixed to "0"	S <sub>1</sub>	IN	OFF
	1	to "0"	to "0"	ON	ON		$\overline{\text{LED}}$	OUT	IN
When reset		0	0	1	0	0	1	1	0

b<sub>0</sub> : Specifies the input mode of the S<sub>0</sub> port. "0" = OFF mode (high impedance); "1" = IN (INPUT mode).

b<sub>1</sub> : Specifies the I/O mode of the K<sub>I/O</sub> port.

"0" = IN (INPUT mode); "1" = OUT (OUTPUT mode).

b<sub>2</sub> : Specifies the I/O mode of the S<sub>1</sub>/ $\overline{\text{LED}}$  port. "0" = S<sub>1</sub> (INPUT mode); "1" =  $\overline{\text{LED}}$  (output mode).

b<sub>4</sub> : Specifies the availability of the pull-down resistor in S<sub>0</sub>/S<sub>1</sub> port INPUT mode. "0" = OFF (unavailable);

"1" = ON (available)

b<sub>5</sub> : Specifies the availability of the pull-down resistor in K<sub>I</sub> port. "0" = OFF (unavailable);

"1" = ON (available).

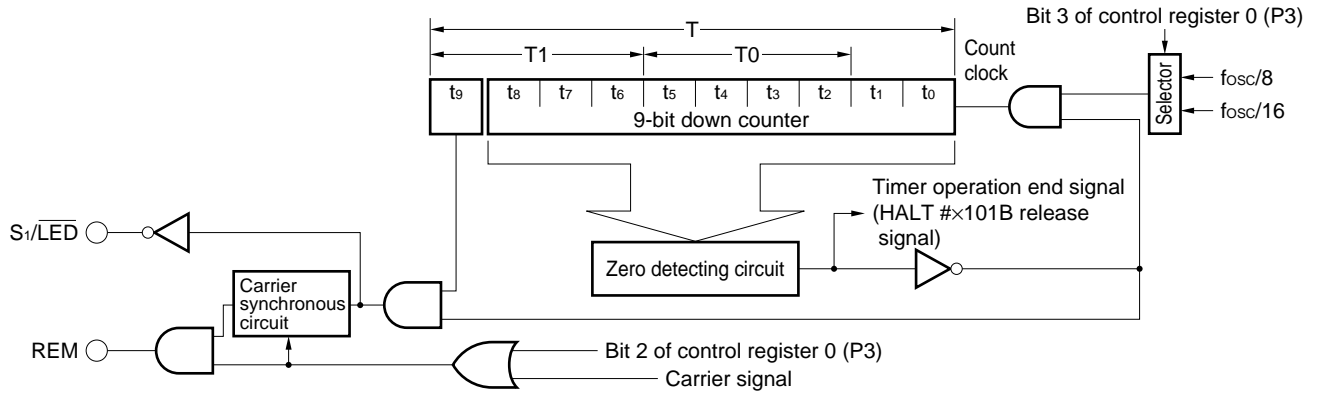
**Remark** In OUTPUT mode or in OFF mode, all the pull-down resistors are automatically disconnected.

4. TIMER

4.1 Timer Configuration

The timer is the block used for creating a remote control transmission pattern. As shown in Figure 4-1, it consists of a 9-bit down counter ( $t_8$  to  $t_0$ ), a flag ( $t_9$ ) permitting the 1-bit timer output, and a zero detecting circuit.

Figure 4-1. Timer Configuration



### 4.2 Timer Operation

The timer starts (counting down) when a value other than 0 is set for the down counter with a timer operation instruction. The timer operation instructions for making the timer start operation are shown below:

```
MOV T0, A
MOV T1, A
MOV T, #data10
MOV T, @R0
```

The down counter is decremented (-1) in the cycle of  $8/f_{osc}$  or  $16/f_{osc}$ <sup>Note</sup>. If the value of the down counter becomes 0, the zero detecting circuit generates the timer operation end signal to stop the timer operation. At this time, if the timer is in HALT mode (HALT #x101B) waiting for the timer to stop its operation, the HALT mode is canceled and the instruction following the HALT instruction is executed. The output of the timer operation end signal is continued while the down counter is 0 and the timer is stopped. There is the following relational expression between the timer's time and the down counter's set value.

$$\text{Timer time} = (\text{Set value} + 1) \times 8/f_{osc} \text{ (or } 16/f_{osc}^{\text{Note}})$$

**Note** This becomes  $16/f_{osc}$  if bit 3 of the control register is set (to 1).

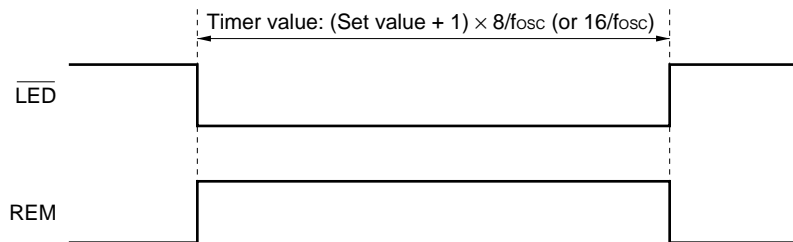
By setting 1 for the flag ( $t_9$ ) which enables the timer output, the timer can output its operation status from the  $S_1/\overline{\text{LED}}$  pin and the REM pin. The REM pin can also output the carrier while the timer is in operation.

**Table 4-1. Timer Output (at  $t_9 = 1$ )**

	$S_1/\overline{\text{LED}}$ Pin	REM Pin
Timer operating	L	H (or carrier output <sup>Note</sup> )
Timer halting	H	L

**Note** The carrier output results if bit 2 of the control register 0 is cleared (to 0).

**Figure 4-2. Timer Output (When Carrier is Not Output)**

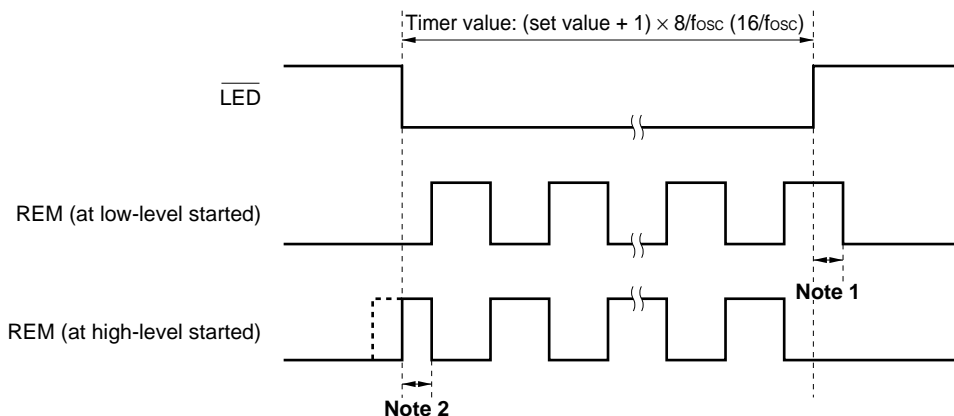


### 4.3 Carrier Output

The carrier for remote-controlled transmission can be output from the REM pin by clearing (to 0) bit 2 of the control register 0.

As shown in Figure 4-3, in the case where the timer stops when the carrier is at a high level, the carrier continues to be output until its next fall and then stops due to the function of the carrier synchronous circuit. When the timer starts operation, however, the high-level width of the first carrier may become shorter than the specified width.

Figure 4-3. Timer Output (When Carrier is Output)



- Notes**
1. Error when the REM output ends: Lead by “the carrier’s low-level width” to lag by “the carrier’s high-level width”
  2. Error of the carrier’s high-level width: 0 to “the carrier’s high-level width”

### 4.4 Software Control of Timer Output

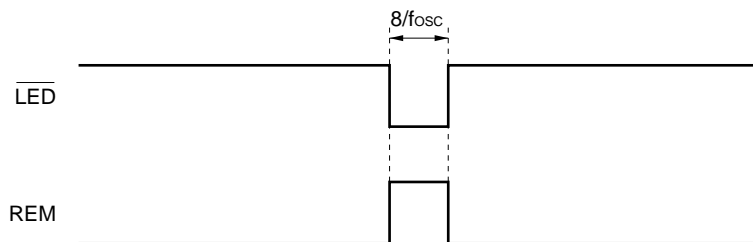
The timer output can be controlled by software. As shown in Figure 4-4, the pulse with a minimum width of 1-instruction cycle ( $8/f_{\text{osc}}$ ) can be output.

Figure 4-4. Pulse Output of 1-Instruction Cycle Width

```

:
MOV T, #0000000000B; low-level output from the REM pin
:
MOV T, #1000000000B; high-level output from the REM pin
MOV T, #0000000000B; low-level output from the REM pin
:

```



## 5. STANDBY FUNCTION

### 5.1 Outline of Standby Function

To save current consumption, two types of standby modes, i.e., HALT mode and STOP mode, are made available.

In STOP mode, the system clock stops oscillation. At this time, the OSC<sub>IN</sub> and OSC<sub>OUT</sub> pins are fixed at a low level.

In HALT mode, CPU operation halts, while the system clock continues oscillation. When in HALT mode, the timer (including REM output and LED output) operates.

In either STOP mode or HALT mode, the statuses of the data memory, accumulator, and port register, etc. immediately before the standby mode is set are retained. Therefore, make sure to set the port status for the system so that the current consumption of the whole system is suppressed before the standby mode is set.

**Table 5-1. Statuses During Standby Mode**

		STOP Mode	HALT Mode	
Setting instruction		HALT instruction		
Clock oscillation circuit		Oscillation stopped	Oscillation continued	
Operation statuses	CPU	• Operation halted		
	Data memory	• Immediately preceding status retained		
	Accumulator	• Immediately preceding status retained		
	Flag	F	• 0 (When 1, the flag is not placed in the standby mode.)	
		CY	• Immediately preceding status retained	
	Port register	• Immediately preceding status retained		
Timer	• Operation halted (The count value is reset to "0")	• Operable		

- Cautions**
1. Write the NOP instruction as the first instruction after STOP mode is released.
  2. When standby mode is canceled, the status flag (F) is set (to 1).
  3. If, at the point the standby mode has been set, its cancelation condition is met, then the system is not placed in the standby mode. However, the status flag (F) is set (1).



### 5.2 Standby Mode Setup and Release

The standby mode is set with the HALT #b3b2b1b0B instruction for both STOP mode and HALT mode. For the standby mode to be set, the status flag (F) is required to have been cleared (to 0).

The standby mode is released by the release condition specified with the  $\overline{\text{RESET}}$  ( $\overline{\text{RESET}}$  input; POC) or the operand of HALT instruction. If the standby mode is released, the status flag (F) is set (to 1).

Even when the HALT instruction is executed in the state that the status flag (F) has been set (to 1), the standby mode is not set. If the release condition is not met at this time, the status flag is cleared (to 0). If the release condition is met, the status flag remains set (to 1).

Even in the case when the release condition has been already met at the point that the HALT instruction is executed, the standby mode is not set. Here, also, the status flag (F) is set (to 1).

**Caution** Depending on the status of the status flag (F), the HALT instruction may not be executed. Be careful about this. For example, when setting HALT mode after checking the key status with the STTS instruction, the system does not enter HALT mode as long as the status flag (F) remains set (to 1) thus sometimes performing an unintended operation. In this case, the intended operation can be realized by executing the STTS instruction immediately after timer setting to clear (to 0) the status flag.

```

Example  STTS    #03H    ;To check the Ki pin status.
            :
            MOV     T, #0xxH ;To set the timer
            STTS    #05H    ;To clear the status flag
            : (During this time, be sure not to execute an instruction that may set the status flag.)
            HALT    #05H    ;To set HALT mode
    
```

**Table 5-2. Addresses Executed After Standby Mode Released**

Release Condition	Address Executed After Released
Reset	0 address
Release condition shown in Table 5-3	The address following the HALT instruction

Table 5-3. Standby Mode Setup (HALT #b<sub>3</sub>b<sub>2</sub>b<sub>1</sub>b<sub>0</sub>B) and Release Conditions

Operand Value of HALT Instruction				Setting Mode	Precondition for Setup	Release Condition
b <sub>3</sub>	b <sub>2</sub>	b <sub>1</sub>	b <sub>0</sub>			
0	0	0	0	STOP	All K <sub>I/O</sub> pins are high-level output.	High level is input to at least one of K <sub>I</sub> pins.
	0	1	1	STOP	All K <sub>I/O</sub> pins are high-level output.	High level is input to at least one of K <sub>I</sub> pins.
	1	1	0	STOP <sup>Note 1</sup>	The K <sub>I/O0</sub> pin is high-level output.	High level is input to at least one of K <sub>I</sub> pins.
1	Any of the combinations of b <sub>2</sub> b <sub>1</sub> b <sub>0</sub> above			STOP	[The following condition is added in addition to the above.] —	High level is input to at least one of S <sub>0</sub> and S <sub>1</sub> pins <sup>Note 2</sup> .
0/1	1	0	1	HALT	—	When the timer's down counter is 0

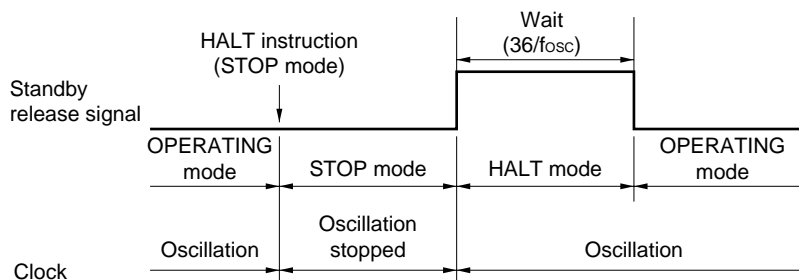
- Notes**
1. When setting HALT #×110B, configure a key matrix by using the K<sub>I/O0</sub> pin and the K<sub>I</sub> pin so that an internal reset takes effect at the time of program overrun.
  2. At least one of the S<sub>0</sub> and S<sub>1</sub> pins (the pin used for canceling the standby) must be in INPUT mode. (The internal reset does not take effect even when both pins are in OUTPUT mode.)

- Cautions**
1. The internal reset takes effect when the HALT instruction is executed with an operand value other than that above or when the precondition has not been satisfied when executing the HALT instruction.
  2. If STOP mode is set when the timer's down counter is not 0 (timer operating), the system is placed in STOP mode only after all the 10 bits of the timer's down counter and the timer output permit flag are cleared to 0.
  3. Write the NOP instruction as the first instruction after STOP mode is released.

### 5.3 Standby Mode Release Timing

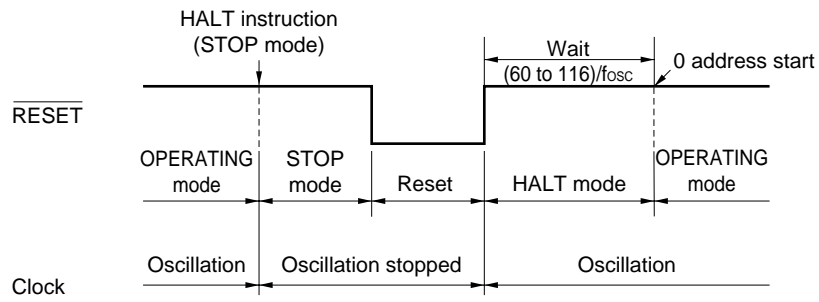
#### (1) STOP Mode Release Timing

Figure 5-1. STOP Mode Cancellation by Release Condition



**Caution** When a release condition is established in the STOP mode, the device is released from the STOP mode and goes into a wait status. At this time, if the release condition is not held, the device goes into the STOP mode again after the wait time has elapsed. Therefore, when releasing the STOP mode, it is necessary to hold the release condition longer than the wait time.

Figure 5-2. STOP Mode Release by  $\overline{\text{RESET}}$  Input



(2) HALT Mode Release Timing

Figure 5-3. HALT Mode Release by Release Condition

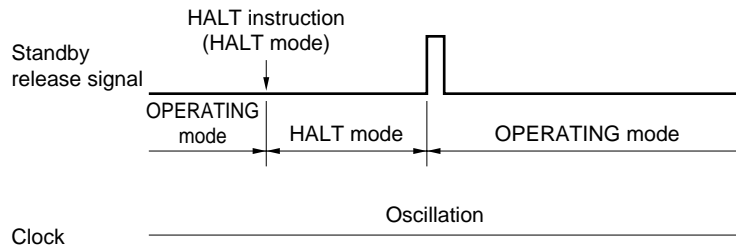
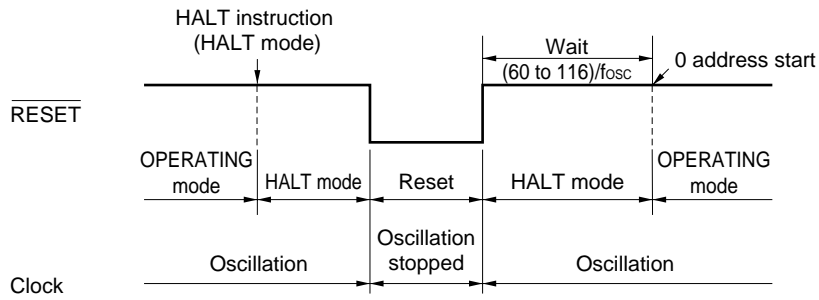


Figure 5-4. HALT Mode Release by  $\overline{\text{RESET}}$  Input



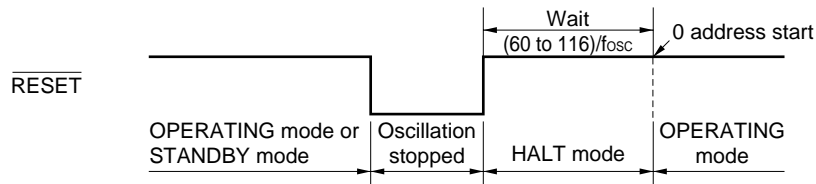
## 6. RESET PIN

The system reset takes effect by inputting low level to the  $\overline{\text{RESET}}$  pin.

While the  $\overline{\text{RESET}}$  pin is at low level, the system clock oscillator is stopped and the OSC<sub>OUT</sub> pin is fixed to high-impedance, the OSC<sub>IN</sub> pin is fixed to the GND.

If the  $\overline{\text{RESET}}$  pin is raised from low level to high level, it executes the program from the 0 address after counting 60 to 116 of the system clock ( $f_{osc}$ ).

Figure 6-1. Reset Operation by  $\overline{\text{RESET}}$  Input



The  $\overline{\text{RESET}}$  pin outputs low level when the POC circuit (mask option) is in operation.

**Caution** When connecting a reset IC to the  $\overline{\text{RESET}}$  pin, ensure that the IC is of the N-ch open-drain output type.

Table 6-1. Hardware Statuses After Resetting

Hardware	<ul style="list-style-type: none"> <li>• <math>\overline{\text{RESET}}</math> Input in Operation</li> <li>• Resetting by Internal POC Circuit in Operation</li> <li>• Resetting by Other Factors<sup>Note 1</sup></li> </ul>	<ul style="list-style-type: none"> <li>• <math>\overline{\text{RESET}}</math> Input During STANDBY Mode</li> <li>• Resetting by the Internal POC Circuit During STANDBY Mode</li> </ul>
PC (10 bits)	000H	
SP (1 bit)	0B	
Data memory	R0 = DP	000H
	R1-RF	Undefined
Accumulator (A)	Undefined	
<ul style="list-style-type: none"> <li>• Status flag (F)</li> <li>• Carry flag (CY)</li> </ul>	0B	
Timer (10 bits)	000H	
Port register	P0	FFH
	P1	×FH <sup>Note 2</sup>
Control register	P3	03H
	P4	26H

**Notes** 1. The following resets are available.

- Reset when executing the HALT instruction (when the operand value is illegal or does not satisfy the precondition)
- Reset when executing the RLZ instruction (when A = 0)
- Reset by stack pointer's overflow or underflow

2. Refers to the value by the K<sub>i</sub> pin status.

In order to prevent malfunction, be sure to input a low level to more than one of pins K<sub>10</sub> to K<sub>13</sub> when reset is released (when  $\overline{\text{RESET}}$  pin changes from low level to high level, or POC is released due to supply voltage startup).

## 7. POC CIRCUIT (MASK OPTION)

The POC circuit monitors the power supply voltage and applies an internal reset in the microcontroller at the time of battery replacement. If the applied circuit satisfies the following conditions, the POC circuit can be incorporated by the mask option.

- High reliability is not required.
- Clock frequency  $f_{osc} = 300$  to  $500$  kHz
- Power supply voltage  $V_{DD} = 2.2$  to  $3.6$  V
- Operating ambient temperature  $T_A = -20$  to  $+70$  °C

**Cautions** 1. The one-time PROM product ( $\mu$ PD66P04B) originally contains the POC circuit.

2. There are cases in which the POC circuit cannot detect a low power supply voltage of less than 1 ms. Therefore, if the power supply voltage has become low for a period of less than 1 ms, the POC circuit may malfunction because it does not generate an internal reset signal.
3. If the applied circuit does not satisfy the conditions above, design the applied circuit in such a manner that the reset takes effect without failure within the power supply voltage range by means of an external reset circuit.
4. In order to prevent malfunction, be sure to input a low level to more than one of pins  $K_{10}$  to  $K_{13}$  when reset is released (when  $\overline{RESET}$  pin changes from low level to high level, or POC is released due to supply voltage startup).

**Remarks** 1. It is recommended that the POC circuit be incorporated when applied circuits are infrared remote-control transmitters for consumer appliances.

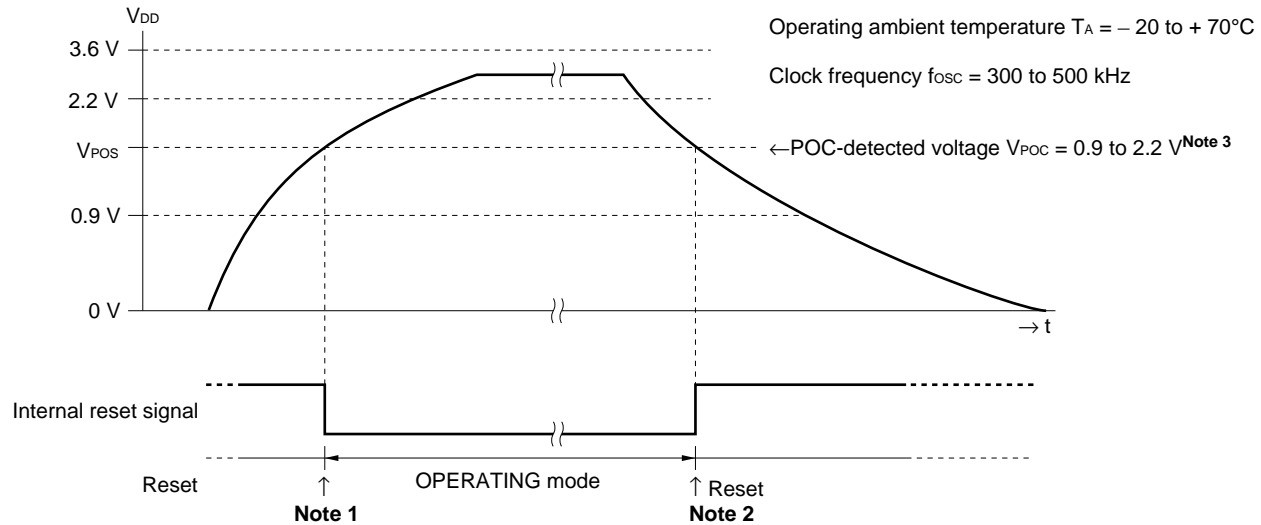
2. Even when a POC circuit is incorporated, the externally entered  $\overline{RESET}$  input is valid with the OR condition; therefore, the POC circuit and the  $\overline{RESET}$  input can be used at the same time. However, if the POC circuit detects a low power supply voltage, the  $\overline{RESET}$  pin will be forced to low level; therefore, use an N-ch open drain output or NPN open collector output for the external reset circuit.

### 7.1 Functions of POC Circuit

The POC circuit has the following functions:

- Generates an internal reset signal when  $V_{DD} \leq V_{POC}$ .
- Cancels an internal reset signal when  $V_{DD} > V_{POC}$ .

Here,  $V_{DD}$ : power supply voltage,  $V_{POC}$ : POC-detected voltage.

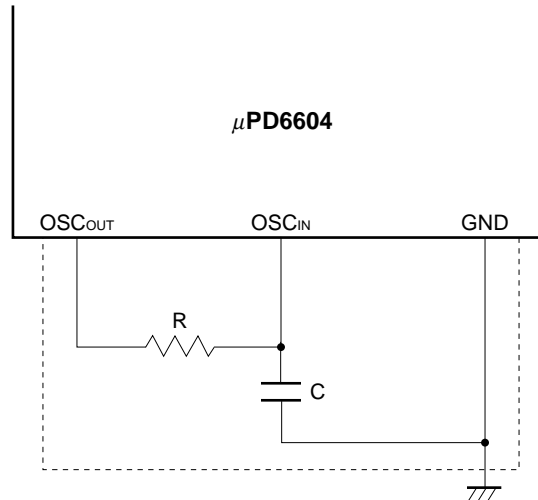


- Notes**
1. In reality, there is the oscillation stabilization wait time until the circuit is switched to OPERATING mode. The oscillation stabilization wait time is about  $60/f_{osc}$  to about  $116/f_{osc}$  (about 130 to 250  $\mu\text{s}$ ; when  $f_{osc} = 455$  kHz).
  2. For the POC circuit to generate an internal reset signal when the power supply voltage has fallen, it is necessary for the power supply voltage to be kept less than the  $V_{POC}$  for the period of 1 ms or more. Therefore, in reality, there is the time lag of up to 1 ms until the reset takes effect.
  3. The POC-detected voltage ( $V_{POC}$ ) varies between 0.9 to 2.2 V; thus, the resetting may be canceled at a power supply voltage smaller than the assured range ( $V_{DD} = 1.8$  to 3.6 V). However, as long as the conditions for operating the POC circuit are met, the actual lowest operating power supply voltage becomes lower than the POC-detected voltage. Therefore, there is no malfunction occurring due to the shortage of power supply voltage.

## 8. SYSTEM CLOCK OSCILLATOR

The system clock oscillator consists of RC oscillation circuits ( $f_{osc} = 300 \text{ kHz to } 1 \text{ MHz}$ ).

Figure 8-1. System Clock



The system clock oscillator stops its oscillation when reset or in STOP mode.

**Caution** When using the system clock oscillator, wire area indicated by the dotted-line in the diagram as follows to reduce the effects of the wiring capacitance, etc.

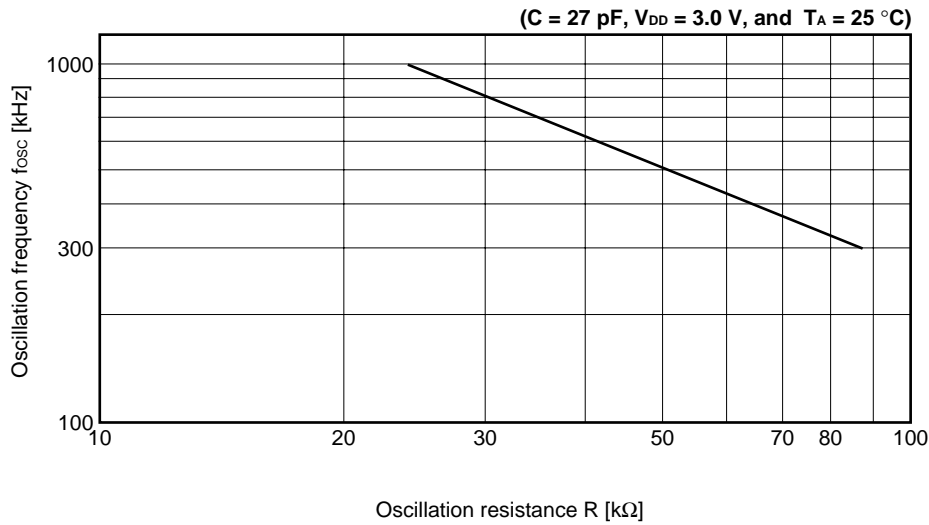
- Make the wiring as short as possible.
- Do not allow the wiring to intersect other signal lines. Do not wire close to lines through which large fluctuating currents flow.
- Make sure that the point where the oscillation circuit capacitor is installed is always at the same electric potential as the ground. Never earth with a ground pattern through which large currents flow.
- Do not extract signals from the oscillation circuit.

**Remark** Theoretically, the oscillation frequency of the system clock is determined by the values of C and R. Actually, however, it also changes depending on supply voltage  $V_{DD}$  and operating ambient temperature  $T_A$ . Moreover, the oscillation frequency of some devices differs from that of the others even when R and C of the same values are connected because of variations in the devices and wiring of the set board. It is therefore difficult to accurately calculate the values of the oscillation frequency and R.

★ However, an approximate value can be obtained by an approximate calculation (such as an expression calculating the value of R from the  $f_{osc}$  value) using data measured under fixed conditions. The expression shown below was obtained experimentally. This can be used to calculate the resistor R necessary to obtain the oscillation frequency  $f_{osc}$  under the conditions of  $C = 27 \text{ pF}$ ,  $V_{DD} = 3.0 \text{ V}$ , and  $T_A = 25 \text{ }^\circ\text{C}$ .

$$R = \frac{26400}{f_{osc} \text{ [kHz]}} - 2.40 \text{ [k}\Omega\text{]} \text{ (Where } V_{DD} = 3.0 \text{ V, and } T_A = 25 \text{ }^\circ\text{C, and } C = 27 \text{ pF)}$$

**Example of  $f_{osc}$  vs R characteristics (Reference)**





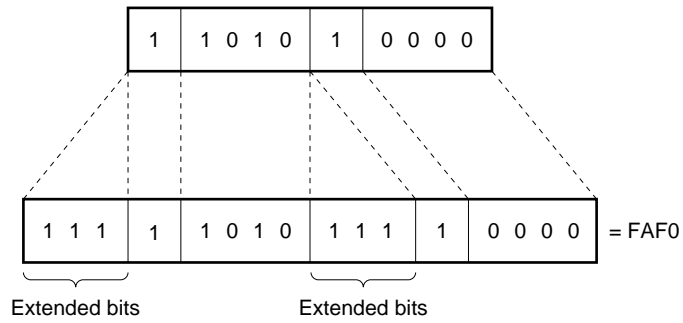
9. INSTRUCTION SET

9.1 Machine Language Output by Assembler

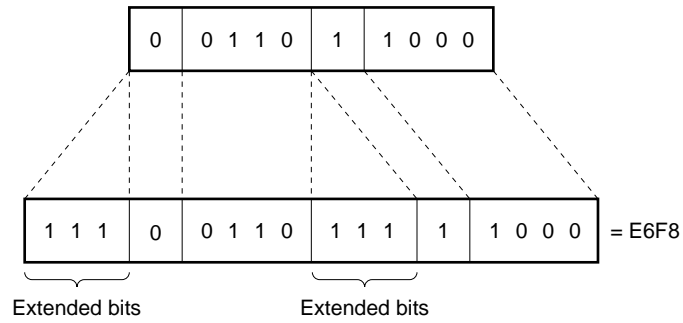
The bit length of the machine language of this product is 10 bits per word. However, the machine language that is output by the assembler is extended to 16 bits per word. As shown in the example below, the expansion is made by inserting 3-bit extended bits (111) in two locations.

Figure 9-1. An Example of Assembler Output (10 bits extended to 16 bits)

<1> In the case of "ANL A, @R0H"



<2> In the case of "OUT P0, #data8"



## 9.2 Circuit Symbol Description

A	: Accumulator
ASR	: Address Stack Register
addr	: Program memory address
CY	: Carry flag
data4	: 4-bit immediate data
data8	: 8-bit immediate data
data10	: 10-bit immediate data
F	: Status flag
PC	: Program Counter
Pn	: Port register pair (n = 0, 1, 3, 4)
P0n	: Port register (low-order 4 bits)
P1n	: Port register (high-order 4 bits)
ROMn	: Bit n of the program memory's (n = 0-9)
Rn	: Register pair
R0n	: Data memory (General-purpose register; n = 0-F)
R1n	: Data memory (General-purpose register; n = 0-F)
SP	: Stack Pointer
T	: Timer register
T0	: Timer register (low-order 4 bits)
T1	: Timer register (high-order 4 bits)
( $\times$ )	: Content addressed with $\times$

9.3 Mnemonic to/from Machine Language (Assembler Output) Contrast Table

Accumulator Operation Instructions

Mnemonic	Operand	Instruction Code			Operation	Instruction Length	Instruction Cycle
		1st Word	2nd Word	3rd Word			
ANL	A, R0n	FBE <sub>n</sub>			$(A) \leftarrow (A) \wedge (R_{mn}) \quad m = 0, 1 \quad n = 0-F$	1	1
	A, R1n	FAE <sub>n</sub>			$CY \leftarrow A_3 \cdot R_{mn3}$		
	A, @R0H	FAF0			$(A) \leftarrow (A) \wedge ((P13), (R0))_{7-4}$ $CY \leftarrow A_3 \cdot ROM_7$		
	A, @R0L	FBF0			$(A) \leftarrow (A) \wedge ((P13), (R0))_{3-0}$ $CY \leftarrow A_3 \cdot ROM_3$		
	A, #data4	FBF1	data4		$(A) \leftarrow (A) \wedge data4$ $CY \leftarrow A_3 \cdot data4_3$	2	
ORL	A, R0n	FDE <sub>n</sub>			$(A) \leftarrow (A) \vee (R_{mn}) \quad m = 0, 1 \quad n = 0-F$	1	
	A, R1n	FCE <sub>n</sub>			$CY \leftarrow 0$		
	A, @R0H	FCF0			$(A) \leftarrow (A) \vee ((P13), (R0))_{7-4}$ $CY \leftarrow 0$		
	A, @R0L	FDF0			$(A) \leftarrow (A) \vee ((P13), (R0))_{3-0}$ $CY \leftarrow 0$		
	A, #data4	FDF1	data4		$(A) \leftarrow (A) \vee data4$ $CY \leftarrow 0$	2	
XRL	A, R0n	F5E <sub>n</sub>			$(A) \leftarrow (A) \nabla (R_{mn}) \quad m = 0, 1 \quad n = 0-F$	1	
	A, R1n	F4E <sub>n</sub>			$CY \leftarrow A_3 \cdot R_{mn3}$		
	A, @R0H	F4F0			$(A) \leftarrow (A) \nabla ((P13), (R0))_{7-4}$ $CY \leftarrow A_3 \cdot ROM_7$		
	A, @R0L	F5F0			$(A) \leftarrow (A) \nabla ((P13), (R0))_{3-0}$ $CY \leftarrow A_3 \cdot ROM_3$		
	A, #data4	F5F1	data4		$(A) \leftarrow (A) \nabla data4$ $CY \leftarrow A_3 \cdot data4_3$	2	
INC	A	F4F3			$(A) \leftarrow (A) + 1$ if $(A) = 0 \quad CY \leftarrow 1$ else $CY \leftarrow 1$	1	
RL	A	FCF3			$(A_{n+1}) \leftarrow (A_n), (A_0) \leftarrow (A_3)$ $CY \leftarrow A_3$		
RLZ	A	FEF3			if $A = 0$ reset else $(A_{n+1}) \leftarrow (A_n), (A_0) \leftarrow (A_3)$ $CY \leftarrow A_3$		

**Input/output Instructions**

Mnemonic	Operand	Instruction Code			Operation	Instruction Length	Instruction Cycle
		1st Word	2nd Word	3rd Word			
IN	A, P0n	FFF8 + n	—	—	(A) ← (Pmn) m = 0, 1 n = 0, 1, 3, 4	1	1
	A, P1n	FEF8 + n	—	—	CY ← 0		
OUT	P0n, A	E5F8 + n	—	—	(Pmn) ← (A) m = 0, 1 n = 0, 1, 3, 4	1	1
	P1n, A	E4F8 + n	—	—			
ANL	A, P0n	FBF8 + n	—	—	(A) ← (A) ∧ (Pmn) m = 0, 1 n = 0, 1, 3, 4	1	1
	A, P1n	FAF8 + n	—	—	CY ← A <sub>3</sub> • Pmn <sub>3</sub>		
ORL	A, P0n	FDF8 + n	—	—	(A) ← (A) ∨ (Pmn) m = 0, 1 n = 0, 1, 3, 4	1	1
	A, P1n	FCF8 + n	—	—	CY ← 0		
XRL	A, P0n	F5F8 + n	—	—	(A) ← (A) ⊕ (Pmn) m = 0, 1 n = 0, 1, 3, 4	1	1
	A, P1n	F4F8 + n	—	—	CY ← A <sub>3</sub> • Pmn <sub>3</sub>		

Mnemonic	Operand	Instruction Code			Operation	Instruction Length	Instruction Cycle
		1st Word	2nd Word	3rd Word			
OUT	Pn, #data8	E6F8 + n	data8		(Pn) ← data8 n = 0, 1, 3, 4	2	1

**Remark** Pn: P1n-P0n are dealt with in pairs.

**Data Transfer Instruction**

Mnemonic	Operand	Instruction Code			Operation	Instruction Length	Instruction Cycle
		1st Word	2nd Word	3rd Word			
MOV	A, R0n	FFEn			(A) ← (Rmn) m = 0, 1 n = 0-F	1	1
	A, R1n	FEEEn			CY ← 0		
	A, @R0H	FEF0			(A) ← ((P13), (R0)) <sub>7-4</sub> CY ← 0		
	A, @R0L	FFF0			(A) ← ((P13), (R0)) <sub>7-4</sub> CY ← 0	2	1
	A, #data4	FFF1	data4		(A) ← data4 CY ← 0		
	R0n, A	E5En			(Rmn) ← (A) m = 0, 1 n = 0-F	1	1
	R1n, A	E4En					

Mnemonic	Operand	Instruction Code			Operation	Instruction Length	Instruction Cycle
		1st Word	2nd Word	3rd Word			
MOV	Rn, #data8	E6En	data8	—	(R1n-R0n) ← data8 n = 0-F	2	1
	Rn, @R0	E7En	—	—	(R1n-R0n) ← ((P13), (R0)) n = 1-F	1	1

**Remark** Rn: R1n-R0n are dealt with in pairs.

**Branch Instructions**

Mnemonic	Operand	Instruction Code			Operation	Instruction Length	Instruction Cycle
		1st Word	2nd Word	3rd Word			
JMP	addr (Page 0)	E8F1	addr		PC ← addr	2	1
	addr (Page 1)	E9F1	addr				
JC	addr (Page 0)	ECF1	addr		if CY = 1 PC ← addr	2	1
	addr (Page 1)	EAF1	addr		else PC ← PC + 2		
JNC	addr (Page 0)	EDF1	addr		if CY = 0 PC ← addr	2	1
	addr (Page 1)	EBF1	addr		else PC ← PC + 2		
JF	addr (Page 0)	EEF1	addr		if F = 1 PC ← addr	2	1
	addr (Page 1)	F0F1	addr		else PC ← PC + 2		
JNF	addr (Page 0)	EFF1	addr		if F = 0 PC ← addr	2	1
	addr (Page 1)	F1F1	addr		else PC ← PC + 2		

**Caution** 0 and 1, which refer to PAGE0 and 1, are not written when writing mnemonics.

**Subroutine Instructions**

Mnemonic	Operand	Instruction Code			Operation	Instruction Length	Instruction Cycle
		1st Word	2nd Word	3rd Word			
CALL	addr (Page 0)	E6F2	E8F1	addr	SP ← SP + 1, ASR ← PC, PC ← addr	3	2
	addr (Page 1)	E6F2	E9F1	addr			
RET		E8F2			PC ← ASR, SP ← SP - 1	1	1

**Caution** 0 and 1, which refer to PAGE0 and 1, are not written when writing mnemonics.

**Timer Operation Instructions**

Mnemonic	Operand	Instruction Code			Operation	Instruction Length	Instruction Cycle
		1st Word	2nd Word	3rd Word			
MOV	A, T0	FFFF			(A) ← (Tn) n = 0, 1	1	1
	A, T1	FEFF			CY ← 0		
	T0, A	E5FF			(Tn) ← (A) n = 0, 1		
	T1, A	F4FF			(T) n ← 0		

Mnemonic	Operand	Instruction Code			Operation	Instruction Length	Instruction Cycle
		1st Word	2nd Word	3rd Word			
MOV	T, #data10	E6FF	data10		(T) ← data10	1	1
	T, @R0	F4FF			(T) ← ((P13), (R0))		

Others

Mnemonic	Operand	Instruction Code			Operation	Instruction Length	Instruction Cycle
		1st Word	2nd Word	3rd Word			
HALT	#data4	E2F1	data4		Standby mode	2	1
STTS	#data4	E3F1	data4		if statuses match $F \leftarrow 1$ else $F \leftarrow 0$		
	R0n	E3En			if statuses match $F \leftarrow 1$ else $F \leftarrow 0$ <span style="float: right;">n = 0-F</span>	1	
SCAF		FAF3			if A = 0FH $CY \leftarrow 1$ else $CY \leftarrow 0$		
NOP		E0E0			PC $\leftarrow$ PC + 1		

9.4 Accumulator Operation Instructions

**ANL A, R0n**

**ANL A, R1n**

- <1> Instruction code : 

1	1	0	1	R <sub>4</sub>	0	R <sub>3</sub>	R <sub>2</sub>	R <sub>1</sub>	R <sub>0</sub>
---	---	---	---	----------------	---	----------------	----------------	----------------	----------------
- <2> Cycle count : 1
- <3> Function :  $(A) \leftarrow (A) \wedge (R_{mn}) \quad m = 0, 1 \quad n = 0 \text{ to } F$   
CY  $\leftarrow A_3 \cdot R_{mn3}$

The accumulator contents and the register Rmn contents are ANDed and the results are entered in the accumulator.

**ANL A, @R0H**

**ANL A, @R0L**

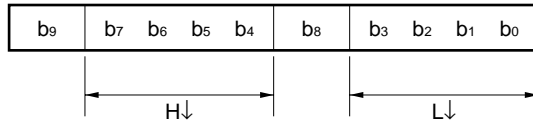
- <1> Instruction code : 

1	1	0	1	0	1	0	0	0	0
---	---	---	---	---	---	---	---	---	---
- <2> Cycle count : 1
- <3> Function :  $(A) \leftarrow (A) \wedge ((P13), (R0))_{7-4}$  (in the case of ANL A, @R0H)  
CY  $\leftarrow A_3 \cdot ROM_7$   
 $(A) \leftarrow (A) \wedge ((P13), (R0))_{3-0}$  (in the case of ANL A, @R0L)  
CY  $\leftarrow A_3 \cdot ROM_3$

The accumulator contents and the program memory contents specified with the control register P13 and register pair R10-R00 are ANDed and the results are entered in the accumulator.

If H is specified, b7, b6, b5 and b4 take effect. If L is specified, b3, b2, b1 and b0 take effect.

• Program memory (ROM) organization



Valid bits at the time of accumulator operation

**ANL A, #data4**

- <1> Instruction code : 

1	1	0	1	1	1	0	0	0	1
0	0	0	0	0	0	d <sub>3</sub>	d <sub>2</sub>	d <sub>1</sub>	d <sub>0</sub>
- <2> Cycle count : 1
- <3> Function :  $(A) \leftarrow (A) \wedge \text{data4}$   
CY  $\leftarrow A_3 \cdot \text{data4}_3$

The accumulator contents and the immediate data are ANDed and the results are entered in the accumulator.

**ORL A, R0n**

**ORL A, R1n**

- <1> Instruction code : 

1	1	1	0	R <sub>4</sub>	0	R <sub>3</sub>	R <sub>2</sub>	R <sub>1</sub>	R <sub>0</sub>
---	---	---	---	----------------	---	----------------	----------------	----------------	----------------
- <2> Cycle count : 1
- <3> Function :  $(A) \leftarrow (A) \vee (R_{mn})$   $m = 0, 1$   $n = 0$  to  $F$   
CY  $\leftarrow$  0

The accumulator contents and the register Rmn contents are ORed and the results are entered in the accumulator.

**ORL A, @R0H**

**ORL A, @R0L**

- <1> Instruction code : 

1	1	1	0	0	1	1	0	0	0	0
---	---	---	---	---	---	---	---	---	---	---
- <2> Cycle count : 1
- <3> Function :  $(A) \leftarrow (A) \vee (P13), (R0))_{7-4}$  (in the case of ORL A, @R0H)  
 $(A) \leftarrow (A) \vee (P13), (R0))_{3-0}$  (in the case of ORL A, @R0L)  
CY  $\leftarrow$  0

The accumulator contents and the program memory contents specified with the control register P13 and register pair R<sub>10</sub>-R<sub>00</sub> are ORed and the results are entered in the accumulator.

If H is specified, b<sub>7</sub>, b<sub>6</sub>, b<sub>5</sub> and b<sub>4</sub> take effect. If L is specified, b<sub>3</sub>, b<sub>2</sub>, b<sub>1</sub> and b<sub>0</sub> take effect.

**ORL A, #data4**

- <1> Instruction code : 

1	1	1	0	1	1	0	0	0	1
0	0	0	0	0	0	d <sub>3</sub>	d <sub>2</sub>	d <sub>1</sub>	d <sub>0</sub>
- <2> Cycle count : 1
- <3> Function :  $(A) \leftarrow (A) \vee \text{data4}$   
CY  $\leftarrow$  0

The accumulator contents and the immediate data are exclusive-ORed and the results are entered in the accumulator.

**XRL A, R0n**

**XRL A, R1n**

- <1> Instruction code : 

1	0	1	0	R <sub>4</sub>	0	R <sub>3</sub>	R <sub>2</sub>	R <sub>1</sub>	R <sub>0</sub>
---	---	---	---	----------------	---	----------------	----------------	----------------	----------------
- <2> Cycle count : 1
- <3> Function :  $(A) \leftarrow (A) \nabla (R_{mn})$   $m = 0, 1$   $n = 0$  to  $F$   
CY  $\leftarrow$  A<sub>3</sub> • Rmn<sub>3</sub>

The accumulator contents and the register Rmn contents are ORed and the results are entered in the accumulator.



**XRL A, @R0H**

**XRL A, @R0L**

- <1> Instruction code : 

1	0	1	0	0	1	1	0	0	0	0
---	---	---	---	---	---	---	---	---	---	---
- <2> Cycle count : 1
- <3> Function :  $(A) \leftarrow (A) \vee (P13), (R0))_{7-4}$  (in the case of XRL A, @R0H)  
 $CY \leftarrow A_3 \cdot ROM_7$   
 $(A) \leftarrow (A) \vee (P13), (R0))_{3-0}$  (in the case of XRL A, @R0L)  
 $CY \leftarrow A_3 \cdot ROM_3$

The accumulator contents and the program memory contents specified with the control register P13 and register pair R<sub>10</sub>-R<sub>00</sub> are exclusive-ORed and the results are entered in the accumulator. If H is specified, b<sub>7</sub>, b<sub>6</sub>, b<sub>5</sub>, and b<sub>4</sub> take effect. If L is specified, b<sub>3</sub>, b<sub>2</sub>, b<sub>1</sub>, and b<sub>0</sub> take effect.

**XRL A, #data4**

- <1> Instruction code : 

1	0	1	0	1	1	0	0	0	1
---	---	---	---	---	---	---	---	---	---

0	0	0	0	0	0	d <sub>3</sub>	d <sub>2</sub>	d <sub>1</sub>	d <sub>0</sub>
---	---	---	---	---	---	----------------	----------------	----------------	----------------
- <2> Cycle count : 1
- <3> Function :  $(A) \leftarrow (A) \vee \text{data4}$   
 $CY \leftarrow A_3 \cdot \text{data4}_3$

The accumulator contents and the immediate data are exclusive-ORed and the results are entered in the accumulator.

**INC A**

- <1> Instruction code : 

1	0	1	0	0	1	0	0	1	1
---	---	---	---	---	---	---	---	---	---
- <2> Cycle count : 1
- <3> Function :  $(A) \leftarrow (A) + 1$   
if A = 0 CY ← 1  
else CY ← 0

The accumulator contents are incremented (+1).

**RL A**

- <1> Instruction code : 

1	1	1	0	0	1	0	0	1	1
---	---	---	---	---	---	---	---	---	---
- <2> Cycle count : 1
- <3> Function :  $(A_{n+1}) \leftarrow (A_n), (A_0) \leftarrow (A_3)$   
 $CY \leftarrow A_3$

The accumulator contents are rotated anticlockwise bit by bit.

**RLZ A**

- <1> Instruction code : 

1	1	1	1	0	1	0	0	1	1
---	---	---	---	---	---	---	---	---	---
- <2> Cycle count : 1
- <3> Function : if A = 0 reset  
else  $(A_{n+1}) \leftarrow (A_n), (A_0) \leftarrow (A_3)$   
 $CY \leftarrow A_3$

The accumulator contents are rotated anticlockwise bit by bit. If A = 0H at the time of command execution, an internal reset takes effect.

## 9.5 Input/Output Instructions

### IN A, P0n

### IN A, P1n

- <1> Instruction code : 

1	1	1	1	P <sub>4</sub>	1	1	P <sub>2</sub>	P <sub>1</sub>	P <sub>0</sub>
---	---	---	---	----------------	---	---	----------------	----------------	----------------
- <2> Cycle count : 1
- <3> Function :  $(A) \leftarrow (P_{mn})$   $m = 0, 1$   $n = 0, 1, 3, 4$   
CY  $\leftarrow$  0

The port Pmn data is loaded (read) onto the accumulator.

### OUT P0n, A

### OUT P1n, A

- <1> Instruction code : 

0	0	1	0	P <sub>4</sub>	1	1	P <sub>2</sub>	P <sub>1</sub>	P <sub>0</sub>
---	---	---	---	----------------	---	---	----------------	----------------	----------------
- <2> Cycle count : 1
- <3> Function :  $(P_{mn}) \leftarrow (A)$   $m = 0, 1$   $n = 0, 1, 3, 4$

The accumulator contents are transferred to port Pmn to be latched.

### ANL A, P0n

### ANL A, P1n

- <1> Instruction code : 

1	1	0	1	P <sub>4</sub>	1	1	P <sub>2</sub>	P <sub>1</sub>	P <sub>0</sub>
---	---	---	---	----------------	---	---	----------------	----------------	----------------
- <2> Cycle count : 1
- <3> Function :  $(A) \leftarrow (A) \wedge (P_{mn})$   $m = 0, 1$   $n = 0, 1, 3, 4$   
CY  $\leftarrow$  A<sub>3</sub> • Pmn

The accumulator contents and the port Pmn contents are ANDed and the results are entered in the accumulator.

### ORL A, P0n

### ORL A, P1n

- <1> Instruction code : 

1	1	1	0	P <sub>4</sub>	1	1	P <sub>2</sub>	P <sub>1</sub>	P <sub>0</sub>
---	---	---	---	----------------	---	---	----------------	----------------	----------------
- <2> Cycle count : 1
- <3> Function :  $(A) \leftarrow (A) \vee (P_{mn})$   $m = 0, 1$   $n = 0, 1, 3, 4$   
CY  $\leftarrow$  0

The accumulator contents and the port Pmn contents are ORed and the results are entered in the accumulator.

### XRL A, P0n

### XRL A, P1n

- <1> Instruction code : 

1	0	1	0	P <sub>4</sub>	1	1	P <sub>2</sub>	P <sub>1</sub>	P <sub>0</sub>
---	---	---	---	----------------	---	---	----------------	----------------	----------------
- <2> Cycle count : 1
- <3> Function :  $(A) \leftarrow (A) \nabla (P_{mn})$   $m = 0, 1$   $n = 0, 1, 3, 4$   
CY  $\leftarrow$  A<sub>3</sub> • Pmn

The accumulator contents and the port Pmn contents are exclusive-ORed and the results are entered in the accumulator.

**OUT Pn, #data8**

<1> Instruction code : 

0	0	1	1	0	1	1	P <sub>2</sub>	P <sub>1</sub>	P <sub>0</sub>
0	d <sub>7</sub>	d <sub>6</sub>	d <sub>5</sub>	d <sub>4</sub>	0	d <sub>3</sub>	d <sub>2</sub>	d <sub>1</sub>	d <sub>0</sub>

<2> Cycle count : 1

<3> Function : (Pn) ← data8 n = 0, 1, 3, 4

The immediate data is transferred to port Pn. In this case, port Pn refers to P<sub>1n</sub>-P<sub>0n</sub> operating in pairs.

**9.6 Data Transfer Instruction**

**MOV A, R0n**

**MOV A, R1n**

<1> Instruction code : 

1	1	1	1	R <sub>4</sub>	0	R <sub>3</sub>	R <sub>2</sub>	R <sub>1</sub>	R <sub>0</sub>
---	---	---	---	----------------	---	----------------	----------------	----------------	----------------

<2> Cycle count : 1

<3> Function : (A) ← (Rmn) m = 0, 1 n = 0 to F  
CY ← 0

The register Rmn contents are transferred to the accumulator.

**MOV A, @R0H**

<1> Instruction code : 

1	1	1	1	0	1	0	0	0	0
---	---	---	---	---	---	---	---	---	---

<2> Cycle count : 1

<3> Function : (A) ← ((P13), (R0))<sub>7-4</sub>  
CY ← 0

The high-order 4 bits (b<sub>7</sub> b<sub>6</sub> b<sub>5</sub> b<sub>4</sub>) of the program memory specified with control register P13 and register pair R<sub>10</sub>-R<sub>00</sub> are transferred to the accumulator. b<sub>9</sub> is ignored.

**MOV A, @R0L**

<1> Instruction code : 

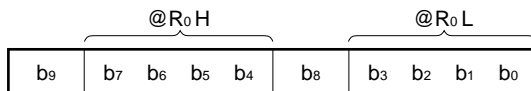
1	1	1	1	1	1	0	0	0	0
---	---	---	---	---	---	---	---	---	---

<2> Cycle count : 1

<3> Function : (A) ← ((P13), (R0))<sub>3-0</sub>  
CY ← 0

The low-order 4 bits (b<sub>3</sub> b<sub>2</sub> b<sub>1</sub> b<sub>0</sub>) of the program memory specified with control register P13 and register pair R<sub>10</sub>-R<sub>00</sub> are transferred to the accumulator. b<sub>8</sub> is ignored.

- Program memory (ROM) contents



**MOV A, #data4**

<1> Instruction code : 

1	1	1	1	1	1	0	0	0	1
0	0	0	0	0	0	d <sub>3</sub>	d <sub>2</sub>	d <sub>1</sub>	d <sub>0</sub>

<2> Cycle count : 1

<3> Function : (A) ← data4  
CY ← 0

The immediate data is transferred to the accumulator.

**MOV R0n, A**

**MOV R1n, A**

- <1> Instruction code : 

0	0	1	0	R <sub>4</sub>	0	R <sub>3</sub>	R <sub>2</sub>	R <sub>1</sub>	R <sub>0</sub>
---	---	---	---	----------------	---	----------------	----------------	----------------	----------------
  - <2> Cycle count : 1
  - <3> Function : (R<sub>m</sub>n) ← (A) m = 0, 1 n = 0 to F
- The accumulator contents are transferred to register R<sub>m</sub>n.

**MOV Rn, #data8**

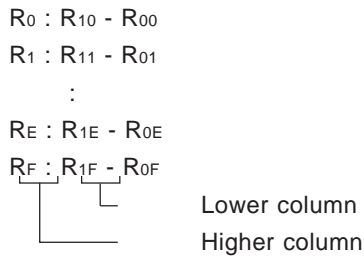
- <1> Instruction code : 

0	0	1	1	0	0	R <sub>3</sub>	R <sub>2</sub>	R <sub>1</sub>	R <sub>0</sub>
---	---	---	---	---	---	----------------	----------------	----------------	----------------

0	d <sub>7</sub>	d <sub>6</sub>	d <sub>5</sub>	d <sub>4</sub>	0	d <sub>3</sub>	d <sub>2</sub>	d <sub>1</sub>	d <sub>0</sub>
---	----------------	----------------	----------------	----------------	---	----------------	----------------	----------------	----------------
  - <2> Cycle count : 1
  - <3> Function : (R<sub>1</sub>n-R<sub>0</sub>n) ← data8 n = 0-F
- The immediate data is transferred to the register. Using this instruction, registers operate as register pairs.

The pair combinations are as follows:

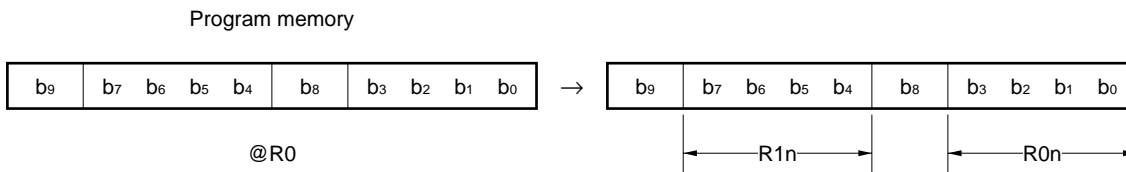


**MOV Rn, @R0**

- <1> Instruction code : 

0	0	1	1	1	0	R <sub>3</sub>	R <sub>2</sub>	R <sub>1</sub>	R <sub>0</sub>
---	---	---	---	---	---	----------------	----------------	----------------	----------------
- <2> Cycle count : 1
- <3> Function : (R<sub>1</sub>n-R<sub>0</sub>n) ← ((P13), R<sub>0</sub>) n = 1 to F

The program memory contents specified with control register P13 and register pair R<sub>10</sub>-R<sub>00</sub> are transferred to register pair R<sub>1</sub>n-R<sub>0</sub>n. The program memory consists of 10 bits and has the following state after the transfer to the register.



The high-order 2 bits of the program memory address is specified with the control register (P13).

### 9.7 Branch Instructions

The program memory consists of pages in steps of 1K (000H to 3FFH). However, as the assembler automatically performs page optimization, it is unnecessary to designate pages. The pages allowed for each product are as follows.

- ★ μPD6604 (ROM: 1K steps) : page 0
- ★ μPD66P04B (PROM: 1K steps) : page 0

#### JMP addr

<1> Instruction code : page 0 

0	1	0	0	0	1	0	0	0	0	1
---	---	---	---	---	---	---	---	---	---	---

 ; page 1 

0	1	0	0	1	1	0	0	0	0	1
---	---	---	---	---	---	---	---	---	---	---

a <sub>9</sub>	a <sub>7</sub>	a <sub>6</sub>	a <sub>5</sub>	a <sub>4</sub>	a <sub>3</sub>	a <sub>2</sub>	a <sub>1</sub>	a <sub>0</sub>
----------------	----------------	----------------	----------------	----------------	----------------	----------------	----------------	----------------

<2> Cycle count : 1

<3> Function : PC ← addr

The 10 bits (PC<sub>9-0</sub>) of the program counter are replaced directly by the specified address addr (a<sub>9</sub> to a<sub>0</sub>).

#### JC addr

<1> Instruction code : page 0 

0	1	1	0	0	1	0	0	0	0	1
---	---	---	---	---	---	---	---	---	---	---

 ; page 1 

0	1	0	1	0	1	1	0	0	0	1
---	---	---	---	---	---	---	---	---	---	---

a <sub>9</sub>	a <sub>7</sub>	a <sub>6</sub>	a <sub>5</sub>	a <sub>4</sub>	a <sub>3</sub>	a <sub>2</sub>	a <sub>1</sub>	a <sub>0</sub>
----------------	----------------	----------------	----------------	----------------	----------------	----------------	----------------	----------------

<2> Cycle count : 1

<3> Function : if CY = 1 PC ← addr  
 else PC ← PC + 2

If the carry flag CY is set (to 1), a jump is made to the address specified with addr (a<sub>9</sub> to a<sub>0</sub>).

#### JNC addr

<1> Instruction code : page 0 

0	1	1	0	1	1	0	0	0	0	1
---	---	---	---	---	---	---	---	---	---	---

 ; page 1 

0	1	0	1	1	1	0	0	0	0	1
---	---	---	---	---	---	---	---	---	---	---

a <sub>9</sub>	a <sub>7</sub>	a <sub>6</sub>	a <sub>5</sub>	a <sub>4</sub>	a <sub>3</sub>	a <sub>2</sub>	a <sub>1</sub>	a <sub>0</sub>
----------------	----------------	----------------	----------------	----------------	----------------	----------------	----------------	----------------

<2> Cycle count : 1

<3> Function : if CY = 0 PC ← addr  
 else PC ← PC + 2

If the carry flag CY is cleared (to 0), a jump is made to the address specified with addr (a<sub>9</sub> to a<sub>0</sub>).

#### JF addr

<1> Instruction code : page 0 

0	1	1	1	0	1	0	0	0	0	1
---	---	---	---	---	---	---	---	---	---	---

 ; page 1 

1	0	0	0	0	1	1	0	0	0	1
---	---	---	---	---	---	---	---	---	---	---

a <sub>9</sub>	a <sub>7</sub>	a <sub>6</sub>	a <sub>5</sub>	a <sub>4</sub>	a <sub>3</sub>	a <sub>2</sub>	a <sub>1</sub>	a <sub>0</sub>
----------------	----------------	----------------	----------------	----------------	----------------	----------------	----------------	----------------

<2> Cycle count : 1

<3> Function : if F = 1 PC ← addr  
 else PC ← PC + 2

If the status flag F is set (to 1), a jump is made to the address specified with addr (a<sub>9</sub> to a<sub>0</sub>).

#### JNF addr

<1> Instruction code : page 0 

0	1	1	1	1	1	0	0	0	0	1
---	---	---	---	---	---	---	---	---	---	---

 ; page 1 

1	0	0	0	0	1	1	0	0	0	1
---	---	---	---	---	---	---	---	---	---	---

a <sub>9</sub>	a <sub>7</sub>	a <sub>6</sub>	a <sub>5</sub>	a <sub>4</sub>	a <sub>3</sub>	a <sub>2</sub>	a <sub>1</sub>	a <sub>0</sub>
----------------	----------------	----------------	----------------	----------------	----------------	----------------	----------------	----------------

<2> Cycle count : 1

<3> Function : if F = 0 PC ← addr  
 else PC ← PC + 2

If the status flag F is cleared (to 0), a jump is made to the address specified with addr (a<sub>9</sub> to a<sub>0</sub>).

### 9.8 Subroutine Instructions

The program memory consists of pages in steps of 1K (000H to 3FFH). However, as the assembler automatically performs page optimization, it is unnecessary to designate pages. The pages allowed for each product are as follows.

μPD6604 (ROM: 1K steps) : page 0

★ μPD66P04B (PROM: 1K steps) : page 0

#### CALL addr

<1> Instruction code : 

0	0	1	1	0	1	0	0	1	0
---	---	---	---	---	---	---	---	---	---

  
 page 0 

0	1	0	0	0	1	0	0	0	1
---	---	---	---	---	---	---	---	---	---

 ; page 1 

0	1	0	0	1	1	0	0	0	1
---	---	---	---	---	---	---	---	---	---

a <sub>9</sub>	a <sub>7</sub>	a <sub>6</sub>	a <sub>5</sub>	a <sub>4</sub>	a <sub>3</sub>	a <sub>2</sub>	a <sub>1</sub>	a <sub>0</sub>
----------------	----------------	----------------	----------------	----------------	----------------	----------------	----------------	----------------

<2> Cycle count : 2  
 <3> Function : SP ← SP + 1  
                   ASR ← PC  
                   PC ← addr

Increments (+1) the stack pointer value and saves the program counter value in the address stack register. Then, enters the address specified with the operand addr (a<sub>9</sub> to a<sub>0</sub>) into the program counter. If a carry is generated when the stack pointer value is incremented (+1), an internal reset takes effect.

#### RET

<1> Instruction code : 

0	1	0	0	0	1	0	0	1	0
---	---	---	---	---	---	---	---	---	---

  
 <2> Cycle count : 1  
 <3> Function : PC ← ASR  
                   SP ← SP - 1

Restores the value saved in the address stack register to the program counter. Then, decrements (-1) the stack pointer. If a borrow is generated when the stack pointer value is decremented (-1), an internal reset takes effect.

9.9 Timer Operation Instructions

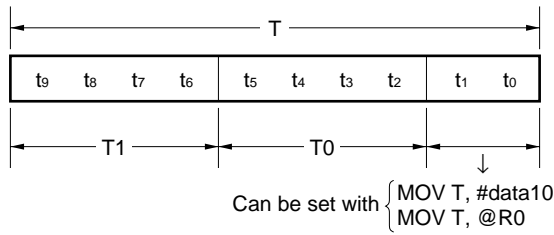
**MOV A, T0**

**MOV A, T1**

- <1> Instruction code : 

1	1	1	1	0/1	1	1	1	1	1
---	---	---	---	-----	---	---	---	---	---
- <2> Cycle count : 1
- <3> Function :  $(A) \leftarrow (Tn) \quad n = 0, 1$   
CY ← 0

The timer Tn contents are transferred to the accumulator. T1 corresponds to (t<sub>9</sub>, t<sub>8</sub>, t<sub>7</sub>, t<sub>6</sub>); T0 corresponds to (t<sub>5</sub>, t<sub>4</sub>, t<sub>3</sub>, t<sub>2</sub>).



**MOV T0, A**

**MOV T1, A**

- <1> Instruction code : 

0	0	1	0	0/1	1	1	1	1	1
---	---	---	---	-----	---	---	---	---	---
- <2> Cycle count : 1
- <3> Function :  $(Tn) \leftarrow (A) \quad n = 0, 1$

The accumulator contents are transferred to the timer register Tn. T1 corresponds to (t<sub>9</sub>, t<sub>8</sub>, t<sub>7</sub>, t<sub>6</sub>); T0 corresponds to (t<sub>5</sub>, t<sub>4</sub>, t<sub>3</sub>, t<sub>2</sub>). After executing this instruction, if data is transferred to T1, t<sub>1</sub> becomes 0; if data is transferred to T0, t<sub>0</sub> becomes 0.

**MOV T, #data10**

- <1> Instruction code : 

0	0	1	1	0	1	1	1	1	1
---	---	---	---	---	---	---	---	---	---

t <sub>9</sub>	t <sub>8</sub>	t <sub>7</sub>	t <sub>6</sub>	t <sub>5</sub>	t <sub>4</sub>	t <sub>3</sub>	t <sub>2</sub>
----------------	----------------	----------------	----------------	----------------	----------------	----------------	----------------
- <2> Cycle count : 1
- <3> Function :  $(T) \leftarrow \text{data10}$

The immediate data is transferred to the timer register T (t<sub>9</sub>-t<sub>0</sub>).

**Remark** The timer time is set with  $(\text{set value} + 1) \times 8/\text{fosc}$  or  $16/\text{fosc}$ .

**MOV T, @R0**

<1> Instruction code : 

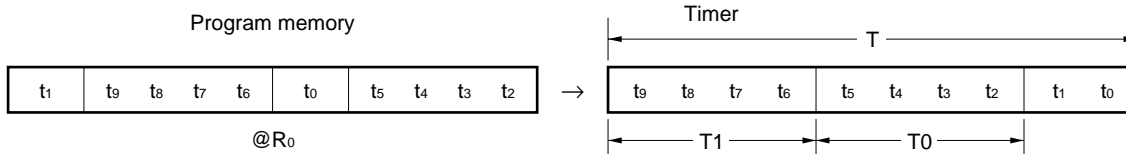
0	0	1	1	1	1	1	1	1
---	---	---	---	---	---	---	---	---

<2> Cycle count : 1

<3> Function :  $(T) \leftarrow ((P13), (R0))$

Transfers the program memory contents to the timer register T ( $t_9$  to  $t_0$ ) specified with the control register P13 and the register pair  $R_{10}$ - $R_{00}$ .

The program memory, which consists of 10 bits, is placed in the following state after the transfer to the register.



The high-order 2 bits of the program memory address are specified with the control register (P13).

**Caution** When setting a timer value in the program memory, ensure to use the DT directive.

**9.10 Others**

**HALT #data4**

<1> Instruction code : 

0	0	0	1	0	1	0	0	0	1
---	---	---	---	---	---	---	---	---	---

0	0	0	0	0	0	$d_3$	$d_2$	$d_1$	$d_0$
---	---	---	---	---	---	-------	-------	-------	-------

<2> Cycle count : 1

<3> Function : Standby mode

Places the CPU in standby mode.

The condition for having the standby mode (HALT/STOP mode) canceled is specified with the immediate data.

**STTS R0n**

<1> Instruction code : 

0	0	0	1	1	0	$R_3$	$R_2$	$R_1$	$R_0$
---	---	---	---	---	---	-------	-------	-------	-------

<2> Cycle count : 1

<3> Function : if statuses match  $F \leftarrow 1$   
 else  $F \leftarrow 0$   $n = 0$  to  $F$

Compares the  $S_0$ ,  $S_1$ ,  $K_{I/O}$ ,  $K_I$ , and  $TIMER$  statuses with the register  $R_{0n}$  contents. If at least one of the statuses coincides with the bits that have been set, the status flag F is set (to 1).

If none of them coincide, the status flag F is cleared (to 0).



**STTS #data4**

<1> Instruction code : 

0	0	0	1	1	1	0	0	0	1
---	---	---	---	---	---	---	---	---	---

  
 : 

0	0	0	0	0	0	d <sub>3</sub>	d <sub>2</sub>	d <sub>1</sub>	d <sub>0</sub>
---	---	---	---	---	---	----------------	----------------	----------------	----------------

<2> Cycle count : 1

<3> Function : if statuses match F ← 1  
 else F ← 0

Compares the S<sub>0</sub>, S<sub>1</sub>, K<sub>I/O</sub>, K<sub>I</sub>, and TIMER statuses with the immediate data contents. If at least one of the statuses coincides with the bits that have been set, the status flag F is set (to 1).

If none of them coincide, the status flag F is cleared (to 0).

**SCAF (Set Carry If Acc = FH)**

<1> Instruction code : 

1	1	0	1	0	1	0	0	1	1
---	---	---	---	---	---	---	---	---	---

<2> Cycle count : 1

<3> Function : if A = 0FH CY ← 1  
 else CY ← 0

Sets the carry flag CY (to 1) if the accumulator contents are FH.

The accumulator values after executing the SCAF instruction are as follows:

Accumulator Value		Carry Flag
Before execution	After execution	
xxx0	0000	0 (clear)
xx01	0001	0 (clear)
x011	0011	0 (clear)
0111	0111	0 (clear)
1111	1111	1 (set)

**Remark** x: don't care

**NOP**

<1> Instruction code : 

0	0	0	0	0	0	0	0	0	0
---	---	---	---	---	---	---	---	---	---

<2> Cycle count : 1

<3> Function : PC ← PC + 1

No operation

## 10. ASSEMBLER RESERVED WORDS

### 10.1 Mask Option Directives

When creating the μPD6604 program, it is necessary to use a mask option directive in the assembler's source program to specify a mask option.

#### 10.1.1 OPTION and ENDOP directives

From the OPTION directive on to the ENDOP directive are called the mask option definition block. The format of the mask option definition block is as follows:

Format:

Symbol field	Mnemonic field	Operand field	Comment field
[Label:]	OPTION		[; Comment]
	:		
	:		
	ENDOP		

#### 10.1.2 Mask option definition directive

The directives that can be used in the mask option definition block are listed in Table 10-1. An example of the mask option definition is shown below.

Example:

Symbol field	Mnemonic field	Operand field	Comment field
	OPTION		
	USEPOC		; POC circuit incorporated
	ENDOP		

**Table 10-1. List of Mask Option Definition Directives**

Name	Mask Option Definition Directive	PRO File	
		Address value	Data value
POC	USEPOC (POC circuit incorporated)	2044H	01
	NOUSEPOC (Without POC circuit)		00

11. ELECTRICAL SPECIFICATIONS

Absolute Maximum Ratings (T<sub>A</sub> = +25 °C)

Parameter	Symbol	Test Conditions		Rating	Unit
Power supply voltage	V <sub>DD</sub>			-0.3 to +5.0	V
Input voltage	V <sub>I</sub>	K <sub>I/O</sub> , K <sub>I</sub> , S <sub>0</sub> , S <sub>1</sub> , $\overline{\text{RESET}}$		-0.3 to V <sub>DD</sub> + 0.3	V
Output voltage	V <sub>O</sub>			-0.3 to V <sub>DD</sub> + 0.3	V
High-level output current	I <sub>OH</sub> <sup>Note</sup>	REM	Peak value	-30	mA
			rms	-20	mA
		$\overline{\text{LED}}$	Peak value	-7.5	mA
			rms	-5	mA
		One K <sub>I/O</sub> pin	Peak value	-13.5	mA
			rms	-9	mA
Total of $\overline{\text{LED}}$ and K <sub>I/O</sub> pins	Peak value	-18	mA		
	rms	-12	mA		
Low-level output current	I <sub>OL</sub> <sup>Note</sup>	REM	Peak value	7.5	mA
			rms	5	mA
		$\overline{\text{LED}}$	Peak value	7.5	mA
			rms	5	mA
Operating ambient temperature	T <sub>A</sub>			-40 to +85	°C
Storage temperature	T <sub>stg</sub>			-65 to +150	°C

**Note** Work out the rms with: [rms] = [Peak value] × √Duty.

**Caution** Product quality may suffer if the absolute rating is exceeded for any parameter, even momentarily. In other words, an absolute maximum rating is a value at which the possibility of physical damage to the product cannot be ruled out. Care must therefore be taken to ensure that these ratings are not exceeded during use of the product.

Recommended Power Supply Voltage Range (T<sub>A</sub> = -40 to +85 °C)

Parameter	Symbol	Test Conditions	MIN.	TYP.	MAX.	Unit
Power supply voltage	V <sub>DD</sub>	f <sub>osc</sub> = 300 to 500 kHz	1.8	3.0	3.6	V
		f <sub>osc</sub> = 500 kHz to 1 MHz	2.2	3.0	3.6	V
		When using the POC circuit (mask option) T <sub>A</sub> = -20 to +70 °C f <sub>osc</sub> = 300 to 500 kHz	2.2	3.0	3.6	V

DC Characteristics (T<sub>A</sub> = -40 to +85 °C, V<sub>DD</sub> = 1.8 to 3.6 V)

Parameter	Symbol	Test Conditions		MIN.	TYP.	MAX.	Unit
High-level input voltage	V <sub>IH1</sub>	RESET		0.8 V <sub>DD</sub>		V <sub>DD</sub>	V
	V <sub>IH2</sub>	K <sub>I/O</sub>		0.65 V <sub>DD</sub>		V <sub>DD</sub>	V
	V <sub>IH3</sub>	K <sub>I</sub> , S <sub>0</sub> , S <sub>1</sub>		0.65 V <sub>DD</sub>		V <sub>DD</sub>	V
Low-level input voltage	V <sub>IL1</sub>	RESET		0		0.2 V <sub>DD</sub>	V
	V <sub>IL2</sub>	K <sub>I/O</sub>		0		0.3 V <sub>DD</sub>	V
	V <sub>IL3</sub>	K <sub>I</sub> , S <sub>0</sub> , S <sub>1</sub>		0		0.15 V <sub>DD</sub>	V
High-level input leakage current	I <sub>LH1</sub>	K <sub>I</sub> V <sub>I</sub> = V <sub>DD</sub> , pull-down resistor not incorporated				3	μA
	I <sub>LH2</sub>	S <sub>0</sub> , S <sub>1</sub> V <sub>I</sub> = V <sub>DD</sub> , pull-down resistor not incorporated				3	μA
Low-level input leakage current	I <sub>UL1</sub>	K <sub>I</sub> V <sub>I</sub> = 0 V				-3	μA
	I <sub>UL2</sub>	K <sub>I/O</sub> V <sub>I</sub> = 0 V				-3	μA
	I <sub>UL3</sub>	S <sub>0</sub> , S <sub>1</sub> V <sub>I</sub> = 0 V				-3	μA
High-level output voltage	V <sub>OH1</sub>	REM, LED, K <sub>I/O</sub>	I <sub>OH</sub> = -0.3 mA	0.8 V <sub>DD</sub>			V
Low-level output voltage	V <sub>OL1</sub>	REM, LED				0.3	V
	V <sub>OL2</sub>	K <sub>I/O</sub>				0.4	V
High-level output current	I <sub>OH1</sub>	REM		V <sub>DD</sub> = 3.0 V, V <sub>OH</sub> = 1.0 V	-5	-9	mA
	I <sub>OH2</sub>	K <sub>I/O</sub>		V <sub>DD</sub> = 3.0 V, V <sub>OH</sub> = 2.2 V	-2.5	-5	mA
Low-level output current	I <sub>OL1</sub>	K <sub>I/O</sub>		V <sub>DD</sub> = 3.0 V, V <sub>OL</sub> = 0.4 V	30	70	μA
		K <sub>I/O</sub>		V <sub>DD</sub> = 3.0 V, V <sub>OL</sub> = 2.2 V	100	220	μA
Built-in pull-up resistor	R <sub>1</sub>	RESET		25	50	100	kΩ
Built-in pull-down resistor	R <sub>2</sub>	RESET		2.5	5	15	kΩ
	R <sub>3</sub>	K <sub>I</sub> , S <sub>0</sub> , S <sub>1</sub>		75	150	300	kΩ
	R <sub>4</sub>	K <sub>I/O</sub>		130	250	500	kΩ
Data hold power supply voltage	V <sub>DDOR</sub>	In STOP mode		0.9		3.6	V
Supply current <sup>†Note</sup>	I <sub>DD1</sub>	OPERATING mode	f <sub>OSC</sub> = 1.0 MHz, V <sub>DD</sub> = 3 V ± 10 %		0.5	1.0	mA
			f <sub>OSC</sub> = 455 kHz, V <sub>DD</sub> = 3 V ± 10 %		0.35	0.7	mA
	I <sub>DD2</sub>	HALT mode	f <sub>OSC</sub> = 1.0 MHz, V <sub>DD</sub> = 3 V ± 10 %		0.45	0.9	mA
			f <sub>OSC</sub> = 455 kHz, V <sub>DD</sub> = 3 V ± 10 %		0.3	0.6	mA
	I <sub>DD3</sub>	STOP mode	V <sub>DD</sub> = 3 V ± 10 %		1.0	8.0	μA
			V <sub>DD</sub> = 3 V ± 10 %, T <sub>A</sub> = 25 °C		0.1	1.0	μA

**Note** The POC circuit current and the current flowing in the built-in pull-up resistor are not included.

**AC Characteristics (T<sub>A</sub> = -40 to +85 °C, V<sub>DD</sub> = 1.8 to 3.6 V)**

Parameter	Symbol	Test Conditions	MIN.	TYP.	MAX.	Unit	
Command execution time	t <sub>CY</sub>	V <sub>DD</sub> = 2.2 to 3.6 V	7.9		27	μs	
			15.9		27	μs	
K <sub>I</sub> , S <sub>0</sub> , S <sub>1</sub> high-level width	t <sub>H</sub>		10			μs	
		When canceling standby mode	HALT mode	10			μs
			STOP mode	<b>Note</b>			μs
RESET low-level width	t <sub>RSL</sub>		10			μs	

**Note** 10 + 36/f<sub>osc</sub> + oscillation growth time

**Remark** t<sub>CY</sub> = 8/f<sub>osc</sub> (f<sub>osc</sub>: System clock oscillator frequency)

**POC Circuit (mask option<sup>Note 1</sup>) (T<sub>A</sub> = -20 to +70 °C)**

Parameter	Symbol	Test Conditions	MIN.	TYP.	MAX.	Unit
POC-detected voltage <sup>Note 2</sup>	V <sub>POC</sub>		0.9	1.6	2.2	V
POC circuit current	I <sub>POC</sub>			0.9	1.0	μA

**Notes** 1. Operates effectively under the conditions of T<sub>A</sub> = -20 to +70 °C, V<sub>DD</sub> = 2.2 to 3.6 V, and f<sub>osc</sub> = 300 to 500 kHz.

2. Refers to the voltage with which the POC circuit cancels an internal reset. If V<sub>POC</sub> < V<sub>DD</sub>, the internal reset is canceled.

From the time of V<sub>POC</sub> ≥ V<sub>DD</sub> until the internal reset takes effect, lag of up to 1 ms occurs. When the period of V<sub>POC</sub> ≥ V<sub>DD</sub> lasts less than 1 ms, the internal reset may not take effect.

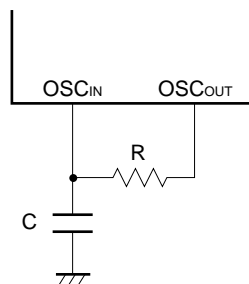
**System Clock Oscillation Circuit Characteristics (T<sub>A</sub> = -40 to +85 °C, V<sub>DD</sub> = 1.8 to 3.6 V)**

Parameter	Symbol	Test Conditions	MIN.	TYP.	MAX.	Unit
Oscillator frequency	f <sub>osc</sub>		300	455	500	kHz
		V <sub>DD</sub> = 2.2 to 3.6 V	300	455	1000	kHz

**Recommended Oscillation Circuit Constant (T<sub>A</sub> = -40 to +85 °C, V<sub>DD</sub> = 1.8 to 3.6 V) (Reference value)**

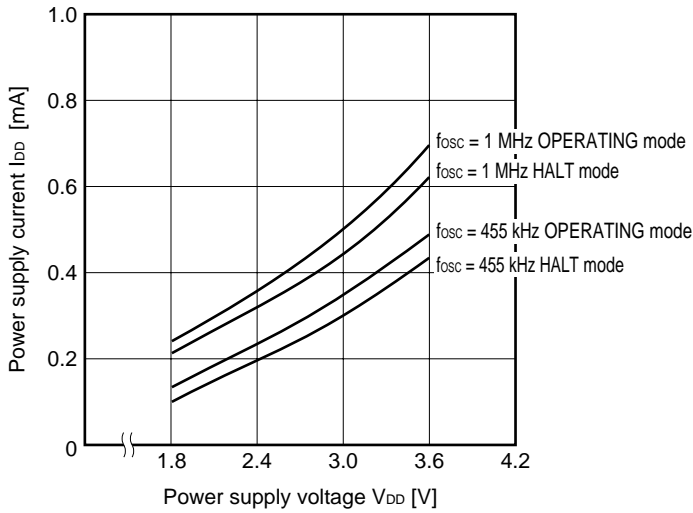
Parameter	Symbol	Test Conditions	MIN.	TYP.	MAX.	Unit
Capacity of oscillation capacitor	C		22	27	33	pF
Oscillation resistance	R			56		kΩ

**An external circuit example**

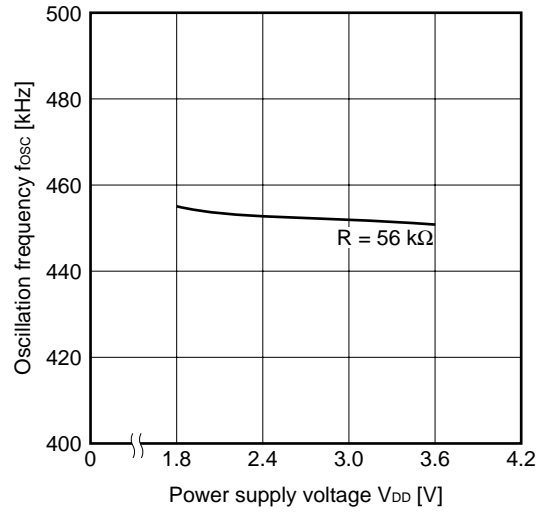


12. CHARACTERISTIC CURVE (REFERENCE VALUES)

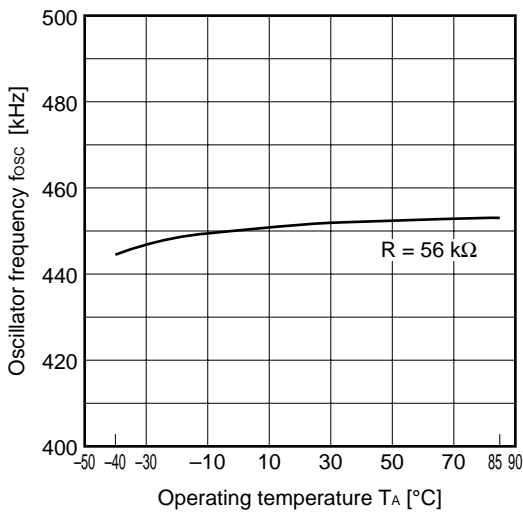
**I<sub>DD</sub> vs V<sub>DD</sub> Characteristic Example**  
(T<sub>A</sub> = 25 °C)



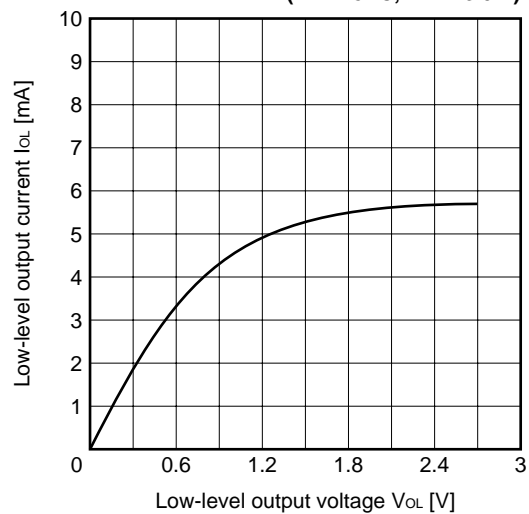
★ **f<sub>osc</sub> vs V<sub>DD</sub> Characteristic Example**  
(C = 27 pF, T<sub>A</sub> = 25 °C)



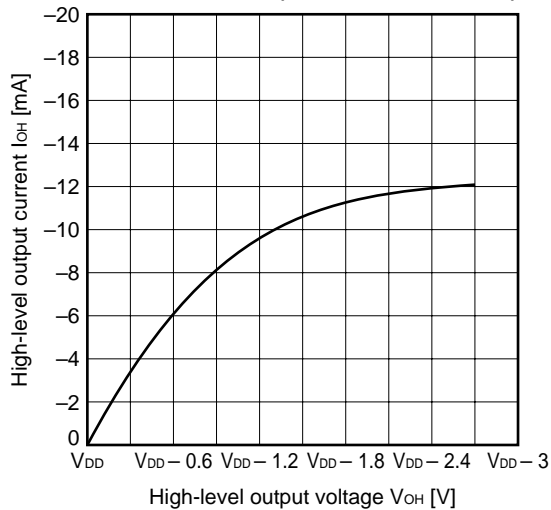
**I<sub>DD</sub> vs T<sub>A</sub> Characteristic Example**  
(C = 27 pF, V<sub>DD</sub> = 3.0 V)



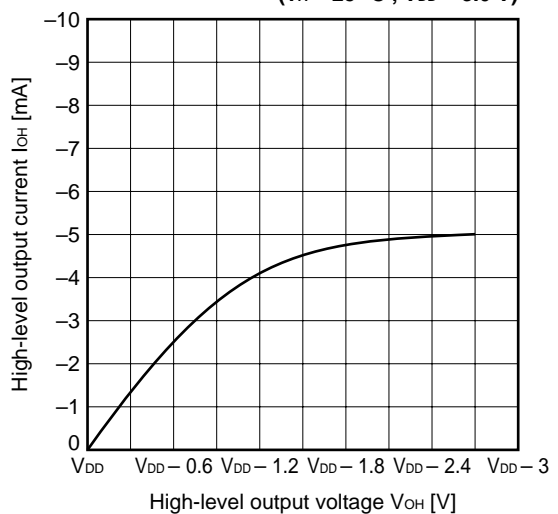
**I<sub>OL</sub> vs V<sub>OL</sub> Characteristic Example (REM, LED)**  
(T<sub>A</sub> = 25 °C, V<sub>DD</sub> = 3.0 V)



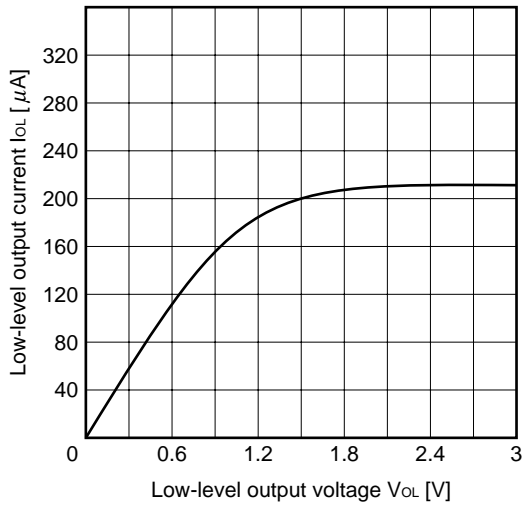
**I<sub>OH</sub> vs V<sub>OH</sub> Characteristic Example (REM)**  
(T<sub>A</sub> = 25 °C, V<sub>DD</sub> = 3.0 V)



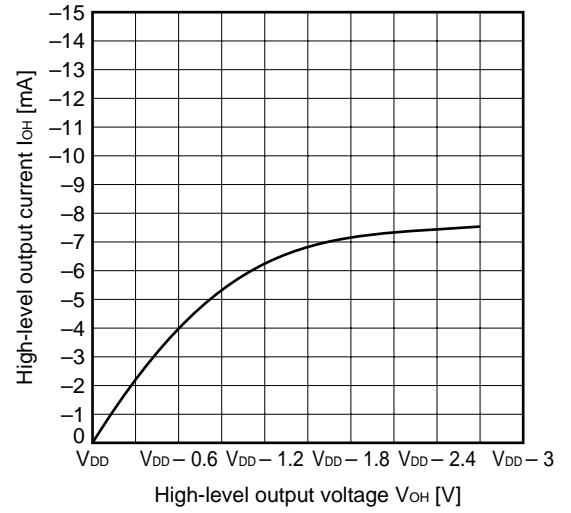
**I<sub>OH</sub> vs V<sub>OH</sub> Characteristic Example (LED)**  
(T<sub>A</sub> = 25 °C, V<sub>DD</sub> = 3.0 V)



**I<sub>OL</sub> vs V<sub>OL</sub> Characteristic Example (K<sub>I/O</sub>)**  
 (T<sub>A</sub> = 25 °C, V<sub>DD</sub> = 3.0 V)



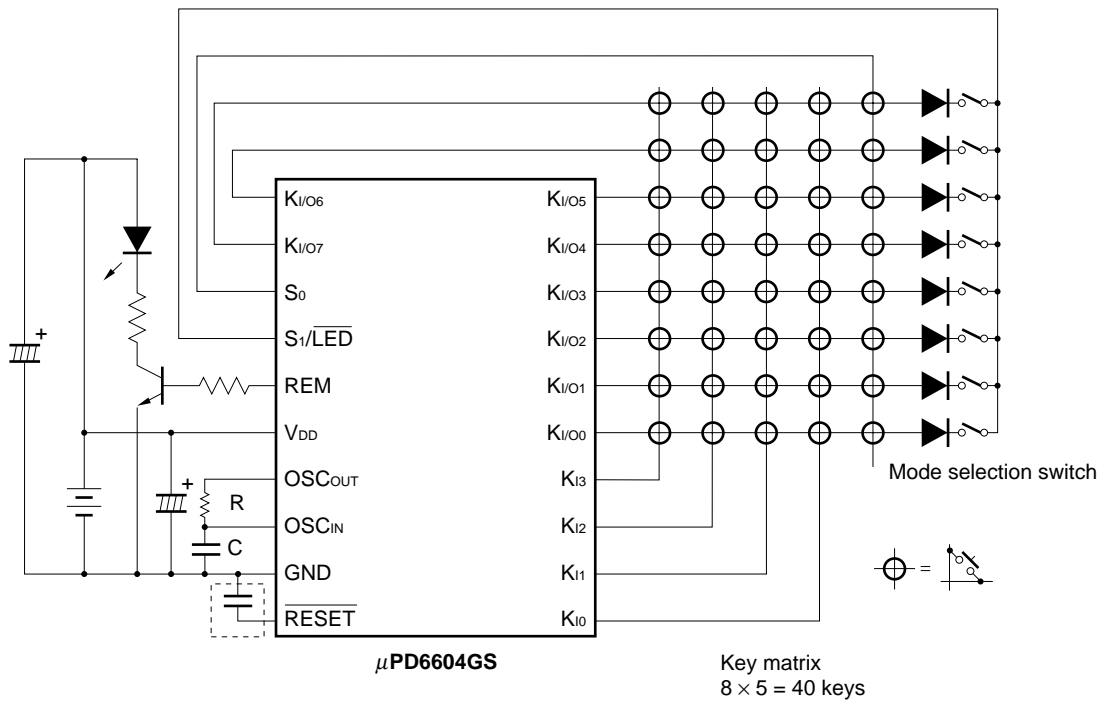
**I<sub>OH</sub> vs V<sub>OH</sub> Characteristic Example (K<sub>I/O</sub>)**  
 (T<sub>A</sub> = 25 °C, V<sub>DD</sub> = 3.0 V)



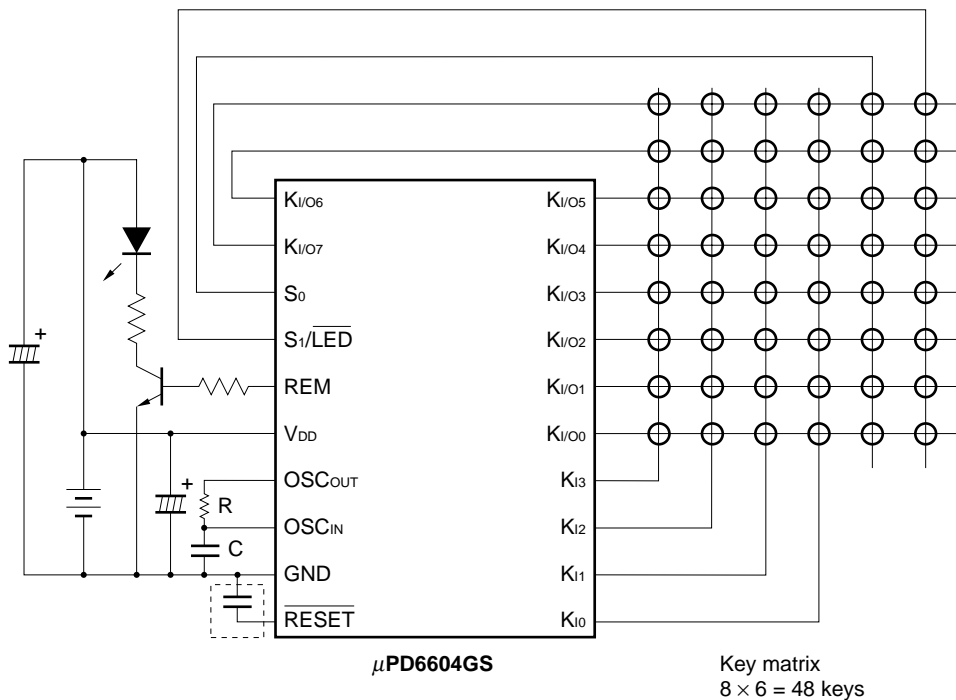
13. APPLIED CIRCUIT EXAMPLE

Example of Application to System

- Remote-control transmitter (40 keys; mode selection switch accommodated)



- Remote-control transmitter (48 keys accommodated)



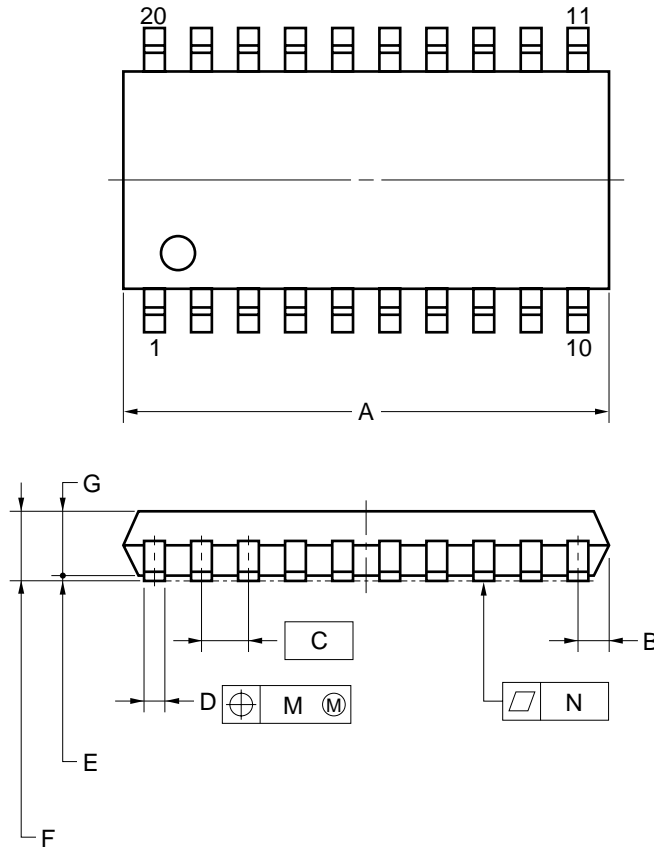
**Remark** When the POC circuit of the mask option is used effectively, it is not necessary to connect the capacitor enclosed in the dotted lines.



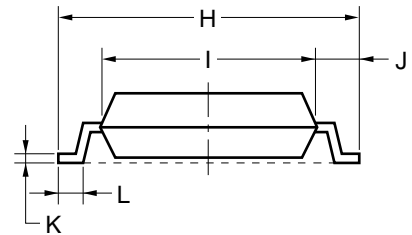
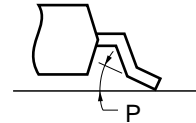
14. PACKAGE DRAWINGS

(1) μPD6604GS

20 PIN PLASTIC SOP (300 mil)



detail of lead end



NOTE

Each lead centerline is located within 0.12 mm (0.005 inch) of its true position (T.P.) at maximum material condition.

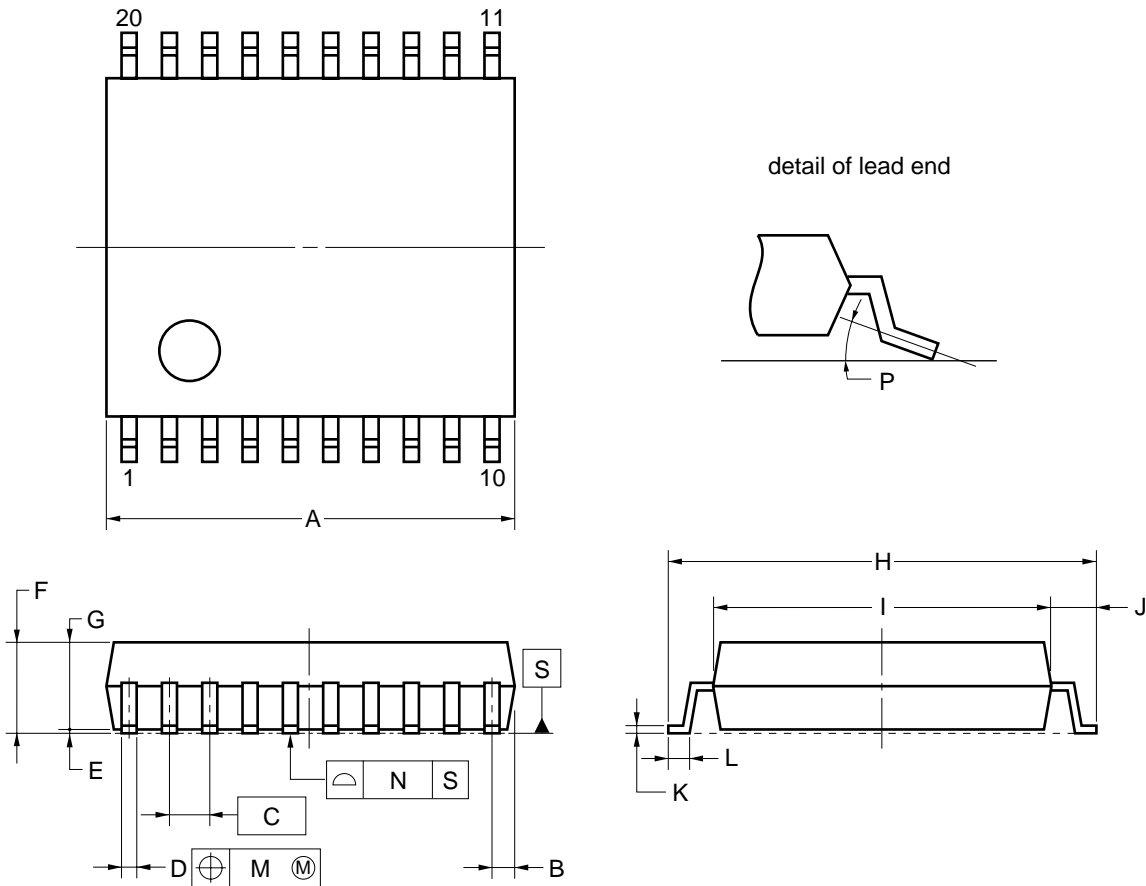
ITEM	MILLIMETERS	INCHES
A	12.7±0.3	0.500±0.012
B	0.78 MAX.	0.031 MAX.
C	1.27 (T.P.)	0.050 (T.P.)
D	0.42 <sup>+0.08</sup> <sub>-0.07</sub>	0.017 <sup>+0.003</sup> <sub>-0.004</sub>
E	0.1±0.1	0.004±0.004
F	1.8 MAX.	0.071 MAX.
G	1.55±0.05	0.061±0.002
H	7.7±0.3	0.303±0.012
I	5.6±0.2	0.220 <sup>+0.009</sup> <sub>-0.008</sub>
J	1.1	0.043
K	0.22 <sup>+0.08</sup> <sub>-0.07</sub>	0.009 <sup>+0.003</sup> <sub>-0.004</sub>
L	0.6±0.2	0.024 <sup>+0.008</sup> <sub>-0.009</sub>
M	0.12	0.005
N	0.10	0.004
P	3° <sup>+7°</sup> <sub>-3°</sub>	3° <sup>+7°</sup> <sub>-3°</sub>

P20GM-50-300B, C-5

**Remark** The dimensions and materials of the ES model are the same as those of mass production model.

(2) μPD6604GS-GJG

20 PIN PLASTIC SHRINK SOP (300 mil)



NOTE

1. Controlling dimension— millimeter.
2. Each lead centerline is located within 0.12 mm (0.005 inch) of its true position (T.P.) at maximum material condition.

ITEM	MILLIMETERS	INCHES
A	6.7±0.3	0.264 <sup>+0.012</sup> <sub>-0.013</sub>
B	0.575 MAX.	0.023 MAX.
C	0.65 (T.P.)	0.026 (T.P.)
D	0.32 <sup>+0.08</sup> <sub>-0.07</sub>	0.013 <sup>+0.003</sup> <sub>-0.004</sub>
E	0.125±0.075	0.005±0.003
F	2.0 MAX.	0.079 MAX.
G	1.7±0.1	0.067 <sup>+0.004</sup> <sub>-0.005</sub>
H	8.1±0.3	0.319±0.012
I	6.1±0.2	0.240±0.008
J	1.0±0.2	0.039 <sup>+0.009</sup> <sub>-0.008</sub>
K	0.15 <sup>+0.10</sup> <sub>-0.05</sub>	0.006 <sup>+0.004</sup> <sub>-0.002</sub>
L	0.5±0.2	0.020 <sup>+0.008</sup> <sub>-0.009</sub>
M	0.12	0.005
N	0.10	0.004
P	3° <sup>+7°</sup> <sub>-3°</sub>	3° <sup>+7°</sup> <sub>-3°</sub>

P20GM-65-300B-3

**Remark** The dimensions and materials of the ES model are the same as those of mass production model.

**15. RECOMMENDED SOLDERING CONDITIONS**

Carry out the soldered packaging of this product under the following recommended conditions.

For details of the soldering conditions, refer to information material **Semiconductor Device Mounting Technology Manual (C10535E)**.

For soldering methods and conditions other than the recommended conditions, please consult one of our NEC sales representatives.

**Table 15-1. Soldering Conditions for Surface-Mount Type**

μPD6604GS-xxx : 20-pin plastic SOP (300 mil)

μPD6604GS-xxx-GJG : 20-pin plastic shrink SOP (300 mil)

Soldering Method	Soldering Condition	Recommended Condition Symbol
Infrared reflow	Package peak temperature: 235 °C; time: 30 secs. max. (210 °C or higher); count: no more than twice	IR35-00-2
VPS	Package peak temperature: 215 °C; time: 40 secs. max. (200 °C or higher); count: no more than twice	VP15-00-2
Wave soldering	Solder bath temperature: 260 °C max.; time: 10 secs. max.; count: once Preliminary heat temperature: 120 °C max. (Package surface temperature)	WS60-00-1
Partial heating	Pin temperature: 300 °C or less; time: 3 secs or less (for each side of the device)	—

**Caution** Using more than one soldering method should be avoided (except in the case of partial heating).

★ APPENDIX A. DEVELOPMENT TOOLS

An emulator is provided for the μPD6604.

**Hardware**

- **Emulator (EB-6133<sup>Note</sup>)**

It is used to emulate the μPD6604.

**Note** This is a product of Naito Densai Machida Mfg. Co., Ltd. For details, consult Naito Densai Machida Mfg. Co., Ltd. (044-822-3813).

**Software**

- **Assembler (AS6133)**

- This is a development tool for remote control transmitter software.

**Part Number List of AS6133**

Host Machine	OS	Supply Medium	Part Number
PC-9800 series (CPU: 80386 or more)	MS-DOS™ (Ver. 5.0 to Ver. 6.2)	3.5-inch 2HD	μS5A13AS6133
IBM PC/AT™ compatible	MS-DOS (Ver. 6.0 to Ver. 6.22)	3.5-inch 2HC	μS7B13AS6133
	PC DOS™ (Ver. 6.1 to Ver. 6.3)		

**Caution** Although Ver.5.0 or later has a task swap function, this function cannot be used with this software.

APPENDIX B. FUNCTIONAL COMPARISON BETWEEN μPD6604 AND OTHER SUBSERIES

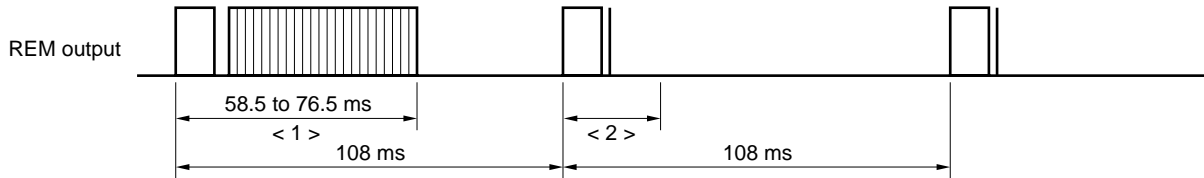
Item		μPD6604	μPD6133	μPD6134	μPD6600A
ROM capacity		1002 × 10 bits	512 × 10 bits	1002 × 10 bits	512 × 10 bits
RAM capacity		32 × 4 bits			32 × 5 bits
Stack		1 level (multiplexed with RF of RAM)			3 levels (multiplexed with RAM)
Key matrix		8 × 6 = 48 keys			8 × 4 = 32 keys
S <sub>0</sub> (S-IN) input		Read by P <sub>01</sub> register (with function to release standby mode)			Read by left shift instruction
S <sub>1</sub> /LED (S-OUT)		I/O (with function to release standby mode)			Output
Clock frequency		RC oscillation	Ceramic oscillation		Ceramic oscillation
		<ul style="list-style-type: none"> <li>• f<sub>x</sub> = 300 kHz to 1 MHz</li> <li>• f<sub>x</sub> = 300 to 500 kHz (with POC circuit)</li> </ul>			f <sub>x</sub> = 400 to 500 kHz
Timer	Clock	f <sub>x</sub> /8, f <sub>x</sub> /16			f <sub>x</sub> /8
	Count start	Writing count value			Writing count value and P1 register value
Carrier	Frequency	<ul style="list-style-type: none"> <li>• f<sub>x</sub>, f<sub>x</sub>/8, f<sub>x</sub>/12 (timer clock: f<sub>x</sub>/8)</li> <li>• f<sub>x</sub>/2, f<sub>x</sub>/16, f<sub>x</sub>/24 (timer clock: f<sub>x</sub>/16)</li> <li>• No carrier</li> </ul>			f <sub>x</sub> /8, f <sub>x</sub> /12
	Output start	Synchronized with timer			Not synchronized with timer
Instruction execution time		8 μs (f <sub>x</sub> = 1 MHz)			16 μs (f <sub>x</sub> = 500 kHz)
Relative branch instruction		None			Provided
Left shift instruction		None			Provided
"MOV Rn, @R0" instruction		n = 1 to F			n = 0 to F
Standby mode (HALT instruction)		HALT mode for timer only. STOP mode for only releasing K <sub>i</sub> (K <sub>I/O</sub> high-level output or K <sub>I/O0</sub> high-level output)			HALT/STOP mode set by P1 register value
Relation between HALT instruction execution and status flag (F)		HALT instruction not executed when F = 1			HALT instruction executed regardless of status of F
Reset function by charging/discharging capacitor		None			Provided
POC circuit		Mask option Low level output to RESET pin on detection			Provided (low-voltage detection circuit) Low level output to S-OUT pin on detection
Mask option		POC circuit only (Circuits other than POC circuit are set by software.)			<ul style="list-style-type: none"> <li>• Pull-down resistor</li> <li>• Variable duty</li> <li>• Hang-up detection</li> </ul>
Supply voltage		<ul style="list-style-type: none"> <li>• V<sub>DD</sub> = 1.8 to 3.6 V</li> <li>• V<sub>DD</sub> = 2.2 to 3.6 V (with POC circuit)</li> </ul>			V <sub>DD</sub> = 2.2 to 3.6 V
Operating temperature		<ul style="list-style-type: none"> <li>• T<sub>A</sub> = -40 to +85 °C</li> <li>• T<sub>A</sub> = -20 to +70 °C (with POC circuit)</li> </ul>			T <sub>A</sub> = -20 to +70 °C
Package		<ul style="list-style-type: none"> <li>• 20-pin plastic SOP</li> <li>• 20-pin plastic shrink SOP</li> </ul>	<ul style="list-style-type: none"> <li>• 20-pin plastic SOP</li> </ul>		<ul style="list-style-type: none"> <li>• 20-pin plastic SOP</li> <li>• 20-pin plastic shrink DIP</li> </ul>
One-time PROM		μPD66P04B	μPD61P34B		μPD61P24

★

**APPENDIX C. EXAMPLE OF REMOTE-CONTROL TRANSMISSION FORMAT**  
**(in the case of NEC transmission format in command one-shot transmission mode)**

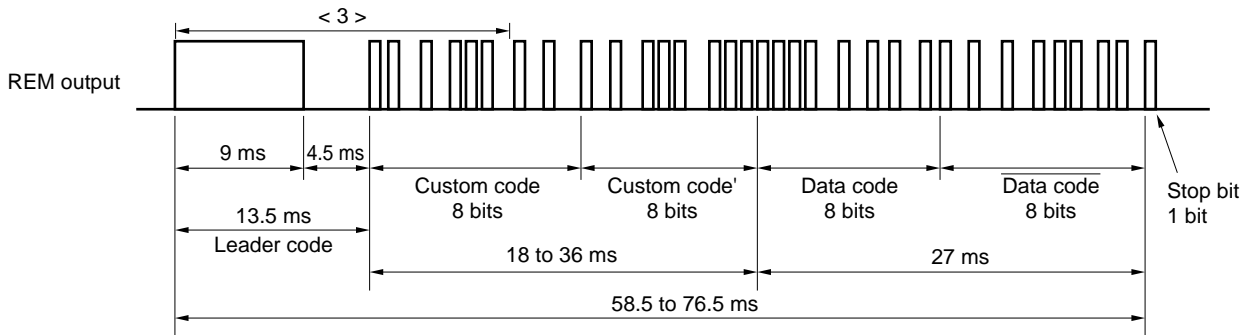
**Caution** When using the NEC transmission format, please apply for a custom code at NEC.

(1) REM output waveform (From <2> on, the output is made only when the key is kept pressed.)

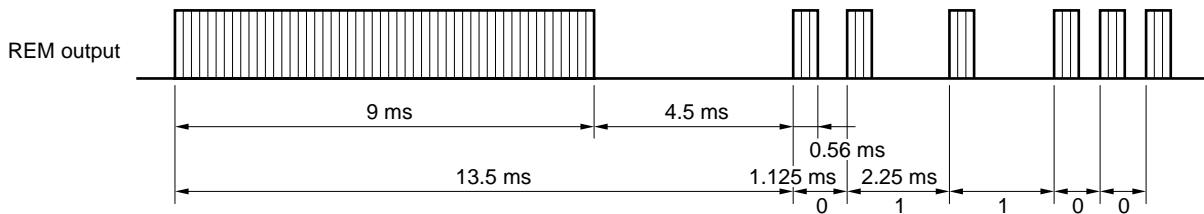


**Remark** If the key is repeatedly pressed, the power consumption of the infrared light-emitting diode (LED) can be reduced by sending the reader code and the stop bit from the second time.

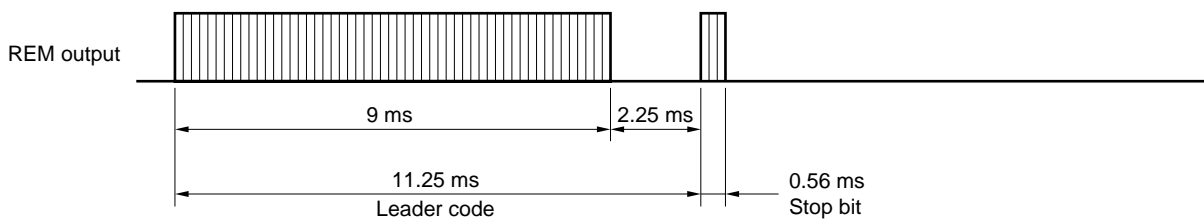
(2) Enlarged waveform of <1>



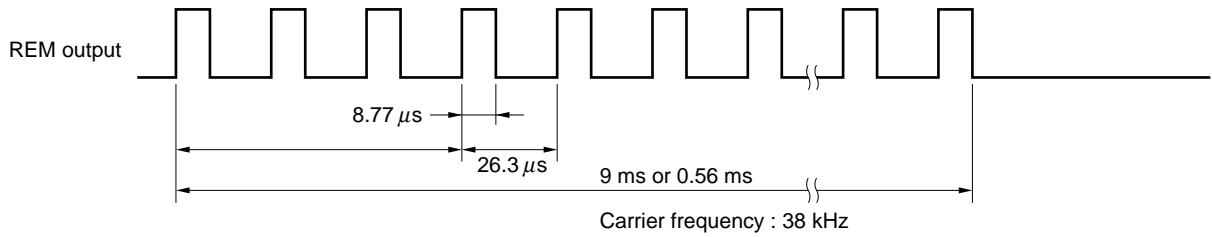
(3) Enlarged waveform of <3>



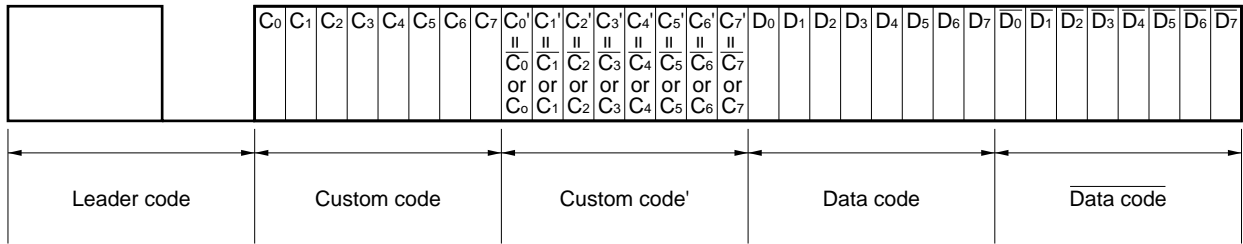
(4) Enlarged waveform of <2>



(5) Carrier waveform (Enlarged waveform of each code's high period)



(6) Bit array of each code



**Caution** To prevent malfunction with other systems when receiving data in the NEC transmission format, not only fully decode (make sure to check Data Code as well) the total 32 bits of the 16-bit custom codes (Custom Code, Custom Code') and the 16-bit data codes (Data Code, Data Code) but also check to make sure that no signals are present.

## NOTES FOR CMOS DEVICES

### ① PRECAUTION AGAINST ESD FOR SEMICONDUCTORS

**Note:** Strong electric field, when exposed to a MOS device, can cause destruction of the gate oxide and ultimately degrade the device operation. Steps must be taken to stop generation of static electricity as much as possible, and quickly dissipate it once, when it has occurred. Environmental control must be adequate. When it is dry, humidifier should be used. It is recommended to avoid using insulators that easily build static electricity. Semiconductor devices must be stored and transported in an anti-static container, static shielding bag or conductive material. All test and measurement tools including work bench and floor should be grounded. The operator should be grounded using wrist strap. Semiconductor devices must not be touched with bare hands. Similar precautions need to be taken for PW boards with semiconductor devices on it.

### ② HANDLING OF UNUSED INPUT PINS FOR CMOS

**Note:** No connection for CMOS device inputs can be cause of malfunction. If no connection is provided to the input pins, it is possible that an internal input level may be generated due to noise, etc., hence causing malfunction. CMOS device behave differently than Bipolar or NMOS devices. Input levels of CMOS devices must be fixed high or low by using a pull-up or pull-down circuitry. Each unused pin should be connected to  $V_{DD}$  or  $GND$  with a resistor, if it is considered to have a possibility of being an output pin. All handling related to the unused pins must be judged device by device and related specifications governing the devices.

### ③ STATUS BEFORE INITIALIZATION OF MOS DEVICES

**Note:** Power-on does not necessarily define initial status of MOS device. Production process of MOS does not define the initial operation status of the device. Immediately after the power source is turned ON, the devices with reset function have not yet been initialized. Hence, power-on does not guarantee out-pin levels, I/O settings or contents of registers. Device is not initialized until the reset signal is received. Reset operation must be executed immediately after power-on for devices having reset function.



## Regional Information

Some information contained in this document may vary from country to country. Before using any NEC product in your application, please contact the NEC office in your country to obtain a list of authorized representatives and distributors. They will verify:

- Device availability
- Ordering information
- Product release schedule
- Availability of related technical literature
- Development environment specifications (for example, specifications for third-party tools and components, host computers, power plugs, AC supply voltages, and so forth)
- Network requirements

In addition, trademarks, registered trademarks, export restrictions, and other legal issues may also vary from country to country.

### **NEC Electronics Inc. (U.S.)**

Santa Clara, California  
Tel: 408-588-6000  
800-366-9782  
Fax: 408-588-6130  
800-729-9288

### **NEC Electronics (Germany) GmbH**

Duesseldorf, Germany  
Tel: 0211-65 03 02  
Fax: 0211-65 03 490

### **NEC Electronics (UK) Ltd.**

Milton Keynes, UK  
Tel: 01908-691-133  
Fax: 01908-670-290

### **NEC Electronics Italiana s.r.l.**

Milano, Italy  
Tel: 02-66 75 41  
Fax: 02-66 75 42 99

### **NEC Electronics (Germany) GmbH**

Benelux Office  
Eindhoven, The Netherlands  
Tel: 040-2445845  
Fax: 040-2444580

### **NEC Electronics (France) S.A.**

Velizy-Villacoublay, France  
Tel: 01-30-67 58 00  
Fax: 01-30-67 58 99

### **NEC Electronics (France) S.A.**

Spain Office  
Madrid, Spain  
Tel: 91-504-2787  
Fax: 91-504-2860

### **NEC Electronics (Germany) GmbH**

Scandinavia Office  
Taeby, Sweden  
Tel: 08-63 80 820  
Fax: 08-63 80 388

### **NEC Electronics Hong Kong Ltd.**

Hong Kong  
Tel: 2886-9318  
Fax: 2886-9022/9044

### **NEC Electronics Hong Kong Ltd.**

Seoul Branch  
Seoul, Korea  
Tel: 02-528-0303  
Fax: 02-528-4411

### **NEC Electronics Singapore Pte. Ltd.**

United Square, Singapore 1130  
Tel: 65-253-8311  
Fax: 65-250-3583

### **NEC Electronics Taiwan Ltd.**

Taipei, Taiwan  
Tel: 02-2719-2377  
Fax: 02-2719-5951

### **NEC do Brasil S.A.**

Electron Devices Division  
Rodovia Presidente Dutra, Km 214  
07210-902-Guarulhos-SP Brasil  
Tel: 55-11-6465-6810  
Fax: 55-11-6465-6829

J99.1

**MS-DOS is either a registered trademark or a trademark of Microsoft Corporation in the United States and/or other countries.**

**PC/AT and PC DOS are trademarks of IBM Corp.**

The export of this product from Japan is regulated by the Japanese government. To export this product may be prohibited without governmental license, the need for which must be judged by the customer. The export or re-export of this product from a country other than Japan may also be prohibited without a license from that country. Please call an NEC sales representative.

**• The information in this document is current as of March, 1999. The information is subject to change without notice. For actual design-in, refer to the latest publications of NEC's data sheets or data books, etc., for the most up-to-date specifications of NEC semiconductor products. Not all products and/or types are available in every country. Please check with an NEC sales representative for availability and additional information.**

- No part of this document may be copied or reproduced in any form or by any means without prior written consent of NEC. NEC assumes no responsibility for any errors that may appear in this document.
- NEC does not assume any liability for infringement of patents, copyrights or other intellectual property rights of third parties by or arising from the use of NEC semiconductor products listed in this document or any other liability arising from the use of such products. No license, express, implied or otherwise, is granted under any patents, copyrights or other intellectual property rights of NEC or others.
- Descriptions of circuits, software and other related information in this document are provided for illustrative purposes in semiconductor product operation and application examples. The incorporation of these circuits, software and information in the design of customer's equipment shall be done under the full responsibility of customer. NEC assumes no responsibility for any losses incurred by customers or third parties arising from the use of these circuits, software and information.
- While NEC endeavours to enhance the quality, reliability and safety of NEC semiconductor products, customers agree and acknowledge that the possibility of defects thereof cannot be eliminated entirely. To minimize risks of damage to property or injury (including death) to persons arising from defects in NEC semiconductor products, customers must incorporate sufficient safety measures in their design, such as redundancy, fire-containment, and anti-failure features.
- NEC semiconductor products are classified into the following three quality grades:  
"Standard", "Special" and "Specific". The "Specific" quality grade applies only to semiconductor products developed based on a customer-designated "quality assurance program" for a specific application. The recommended applications of a semiconductor product depend on its quality grade, as indicated below. Customers must check the quality grade of each semiconductor product before using it in a particular application.

"Standard": Computers, office equipment, communications equipment, test and measurement equipment, audio and visual equipment, home electronic appliances, machine tools, personal electronic equipment and industrial robots

"Special": Transportation equipment (automobiles, trains, ships, etc.), traffic control systems, anti-disaster systems, anti-crime systems, safety equipment and medical equipment (not specifically designed for life support)

"Specific": Aircraft, aerospace equipment, submersible repeaters, nuclear reactor control systems, life support systems and medical equipment for life support, etc.

The quality grade of NEC semiconductor products is "Standard" unless otherwise expressly specified in NEC's data sheets or data books, etc. If customers wish to use NEC semiconductor products in applications not intended by NEC, they must contact an NEC sales representative in advance to determine NEC's willingness to support a given application.

(Note)

- (1) "NEC" as used in this statement means NEC Corporation and also includes its majority-owned subsidiaries.
- (2) "NEC semiconductor products" means any semiconductor product developed or manufactured by or for NEC (as defined above).