

To our customers,

Old Company Name in Catalogs and Other Documents

On April 1st, 2010, NEC Electronics Corporation merged with Renesas Technology Corporation, and Renesas Electronics Corporation took over all the business of both companies. Therefore, although the old company name remains in this document, it is a valid Renesas Electronics document. We appreciate your understanding.

Renesas Electronics website: <http://www.renesas.com>

April 1st, 2010
Renesas Electronics Corporation

Issued by: Renesas Electronics Corporation (<http://www.renesas.com>)

Send any inquiries to <http://www.renesas.com/inquiry>.

Notice

1. All information included in this document is current as of the date this document is issued. Such information, however, is subject to change without any prior notice. Before purchasing or using any Renesas Electronics products listed herein, please confirm the latest product information with a Renesas Electronics sales office. Also, please pay regular and careful attention to additional and different information to be disclosed by Renesas Electronics such as that disclosed through our website.
2. Renesas Electronics does not assume any liability for infringement of patents, copyrights, or other intellectual property rights of third parties by or arising from the use of Renesas Electronics products or technical information described in this document. No license, express, implied or otherwise, is granted hereby under any patents, copyrights or other intellectual property rights of Renesas Electronics or others.
3. You should not alter, modify, copy, or otherwise misappropriate any Renesas Electronics product, whether in whole or in part.
4. Descriptions of circuits, software and other related information in this document are provided only to illustrate the operation of semiconductor products and application examples. You are fully responsible for the incorporation of these circuits, software, and information in the design of your equipment. Renesas Electronics assumes no responsibility for any losses incurred by you or third parties arising from the use of these circuits, software, or information.
5. When exporting the products or technology described in this document, you should comply with the applicable export control laws and regulations and follow the procedures required by such laws and regulations. You should not use Renesas Electronics products or the technology described in this document for any purpose relating to military applications or use by the military, including but not limited to the development of weapons of mass destruction. Renesas Electronics products and technology may not be used for or incorporated into any products or systems whose manufacture, use, or sale is prohibited under any applicable domestic or foreign laws or regulations.
6. Renesas Electronics has used reasonable care in preparing the information included in this document, but Renesas Electronics does not warrant that such information is error free. Renesas Electronics assumes no liability whatsoever for any damages incurred by you resulting from errors in or omissions from the information included herein.
7. Renesas Electronics products are classified according to the following three quality grades: “Standard”, “High Quality”, and “Specific”. The recommended applications for each Renesas Electronics product depends on the product’s quality grade, as indicated below. You must check the quality grade of each Renesas Electronics product before using it in a particular application. You may not use any Renesas Electronics product for any application categorized as “Specific” without the prior written consent of Renesas Electronics. Further, you may not use any Renesas Electronics product for any application for which it is not intended without the prior written consent of Renesas Electronics. Renesas Electronics shall not be in any way liable for any damages or losses incurred by you or third parties arising from the use of any Renesas Electronics product for an application categorized as “Specific” or for which the product is not intended where you have failed to obtain the prior written consent of Renesas Electronics. The quality grade of each Renesas Electronics product is “Standard” unless otherwise expressly specified in a Renesas Electronics data sheets or data books, etc.
 - “Standard”: Computers; office equipment; communications equipment; test and measurement equipment; audio and visual equipment; home electronic appliances; machine tools; personal electronic equipment; and industrial robots.
 - “High Quality”: Transportation equipment (automobiles, trains, ships, etc.); traffic control systems; anti-disaster systems; anti-crime systems; safety equipment; and medical equipment not specifically designed for life support.
 - “Specific”: Aircraft; aerospace equipment; submersible repeaters; nuclear reactor control systems; medical equipment or systems for life support (e.g. artificial life support devices or systems), surgical implantations, or healthcare intervention (e.g. excision, etc.), and any other applications or purposes that pose a direct threat to human life.
8. You should use the Renesas Electronics products described in this document within the range specified by Renesas Electronics, especially with respect to the maximum rating, operating supply voltage range, movement power voltage range, heat radiation characteristics, installation and other product characteristics. Renesas Electronics shall have no liability for malfunctions or damages arising out of the use of Renesas Electronics products beyond such specified ranges.
9. Although Renesas Electronics endeavors to improve the quality and reliability of its products, semiconductor products have specific characteristics such as the occurrence of failure at a certain rate and malfunctions under certain use conditions. Further, Renesas Electronics products are not subject to radiation resistance design. Please be sure to implement safety measures to guard them against the possibility of physical injury, and injury or damage caused by fire in the event of the failure of a Renesas Electronics product, such as safety design for hardware and software including but not limited to redundancy, fire control and malfunction prevention, appropriate treatment for aging degradation or any other appropriate measures. Because the evaluation of microcomputer software alone is very difficult, please evaluate the safety of the final products or system manufactured by you.
10. Please contact a Renesas Electronics sales office for details as to environmental matters such as the environmental compatibility of each Renesas Electronics product. Please use Renesas Electronics products in compliance with all applicable laws and regulations that regulate the inclusion or use of controlled substances, including without limitation, the EU RoHS Directive. Renesas Electronics assumes no liability for damages or losses occurring as a result of your noncompliance with applicable laws and regulations.
11. This document may not be reproduced or duplicated, in any form, in whole or in part, without prior written consent of Renesas Electronics.
12. Please contact a Renesas Electronics sales office if you have any questions regarding the information contained in this document or Renesas Electronics products, or if you have any other inquiries.

(Note 1) “Renesas Electronics” as used in this document means Renesas Electronics Corporation and also includes its majority-owned subsidiaries.

(Note 2) “Renesas Electronics product(s)” means any product developed or manufactured by or for Renesas Electronics.

4-BIT SINGLE-CHIP MICROCONTROLLER WITH BUILT-IN HARDWARE DEDICATED TO DIGITAL TUNING SYSTEMS

The μPD17P719 is produced by replacing the built-in masked ROM of the μPD17717, μPD17718, and μPD17719 with a one-time PROM.

The μPD17P719 allows programs to be written once, so that the μPD17P719 is suitable for preproduction in μPD17717, μPD17718, or μPD17719 system development or low-volume production.

When reading this document, also refer to the publications on the μPD17717, μPD17718, or μPD17719.

The electrical characteristics (including power supply currents) and PLL analog characteristics of the μPD17P719 differ from those of the μPD17717, μPD17718, and μPD17719. In high-volume application set production, carefully check those differences.

FEATURES

- Compatible with the μPD17717, μPD17718, and μPD17719
- Built-in one-time PROM : 32K bytes (16384 × 16 bits)
- Supply voltage : PLL operation : V_{DD} = 4.5 to 5.5 V
CPU operation : V_{DD} = 3.5 to 5.5 V

ORDERING INFORMATION

Part number	Package
μPD17P719GC-3B9	80-pin plastic QFP (14 × 14 mm, 0.65-mm pitch)

The information in this document is subject to change without notice.

FUNCTION OVERVIEW

(1/2)

Product		μPD17717	μPD17718	μPD17719	μPD17P719
Program memory (ROM)		12288 × 16 bits (masked ROM)	16384 × 16 bits (masked ROM)		16384 × 16 bits (one-time PROM)
General-purpose data memory (RAM)		1120 × 4 bits		1776 × 4 bits	
Instruction execution time		1.78 μs (with f _x = 4.5-MHz crystal)			
General-purpose ports		<ul style="list-style-type: none"> I/O ports : 46 Input ports : 12 Output ports : 4 			
Stack level		<ul style="list-style-type: none"> Address stack : 15 levels Interrupt stack : 4 levels DBF stack : 4 levels (operated by software) 			
Interrupt		<ul style="list-style-type: none"> External : 6 (CE rising edge and INT0 to INT4) Internal : 6 (timers 0 to 3, serial interfaces 0 and 1) 			
Timers		5 channels <ul style="list-style-type: none"> Basic timer (clock: 10, 20, 50, 100 Hz) : 1 channel 8-bit timer with gate counter (clock: 1 k, 2 k, 10 k, 100 kHz) : 1 channel 8-bit timer (clock: 1 k, 2 k, 10 k, 100 kHz) : 2 channels 8-bit timer, also used for PWM (clock: 440 Hz, 4.4 kHz) : 1 channel 			
A/D converter		8 bits × 6 channels (Hardware or software mode can be selected.)			
D/A converter (PWM)		3 channels (8-bit or 9-bit resolution, selected by software.) Output frequency : 4.4 kHz, 440 Hz (8-bit PWM) 2.2 kHz, 220 Hz (9-bit PWM)			
Serial interface		2 systems (4 channels) <ul style="list-style-type: none"> Selectable for 3-wire serial I/O method, SBI method, 2-wire serial I/O method, or I²C bus method Note. Selectable for 3-wire serial I/O method or UART method. 			
PLL	Frequency division system	<ul style="list-style-type: none"> Direct frequency division system (VCOL pin (MF mode) : 0.5 to 3 MHz) Pulse swallow system (VCOL pin (HF mode) : 10 to 40 MHz) (VCOH pin (VHF mode) : 60 to 130 MHz) 			
	Reference frequency	Can be set to one of 13 frequencies (1, 1.25, 2.5, 3, 5, 6.25, 9, 10, 12.5, 18, 20, 25, or 50 kHz).			
	Charge pump	2 error output pins (EO0 and EO1)			
	Phase comparator	Unlock detection is enabled by software.			
Intermediate frequency counter		<ul style="list-style-type: none"> Intermediate frequency (IF) measurement <ul style="list-style-type: none"> P1C0/FMIFC pin : 10 to 11 MHz in FMIF mode 0.4 to 0.5 MHz in AMIF mode P1C1/AMIFC pin : 0.4 to 0.5 MHz in AMIF mode External gate width measurement <ul style="list-style-type: none"> P2A1/FCG1 and P2A0/FCG0 pins 			

Note When ordering a mask, please consult our sales office if the I²C bus method is used (or when the serial interface is accomplished by the program not by the peripheral hardware).

(2/2)

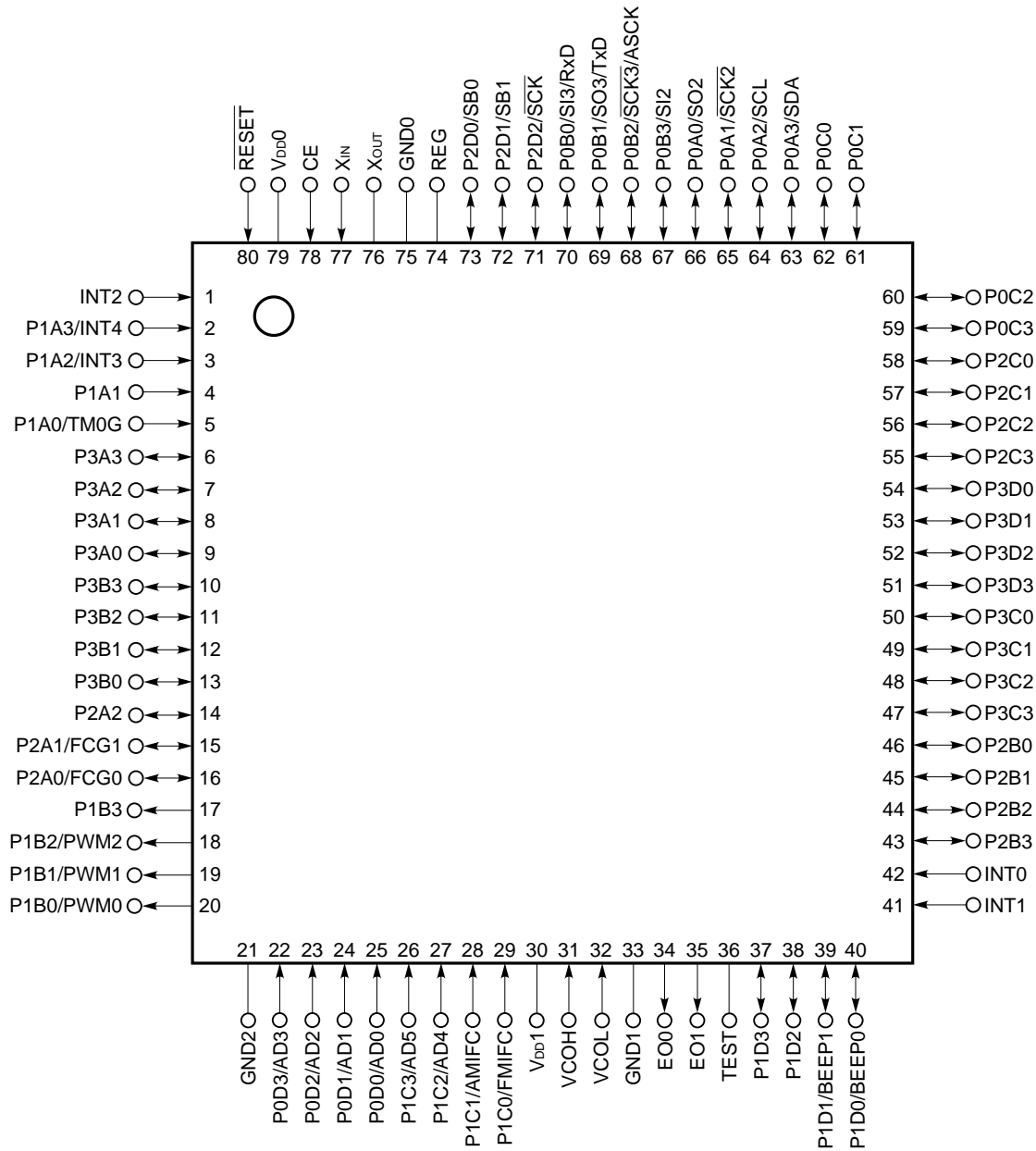
Item \ Product	μ PD17717	μ PD17718	μ PD17719	μ PD17P719
BEEP output	2 Output frequency : 1 kHz, 3 kHz, 4 kHz, 6.7 kHz (BEEP0 pin) 67 Hz, 200 Hz, 3 kHz, 4 kHz (BEEP1 pin)			
Reset	<ul style="list-style-type: none"> • Power-on reset (when the power is turned on) • Reset using the $\overline{\text{RESET}}$ pin • Watchdog timer reset Can be set only once at power-on: 65,536 instructions, 131,072 instructions, or non-use can be selected. • Stack pointer overflow/underflow reset Can be set only once at power-on: the interrupt stack or address stack can be selected. • CE reset (CE pin: low \rightarrow high) A CE reset delay timing can be set. • Power-failure detection function 			
Standby	<ul style="list-style-type: none"> • Clock stop mode (STOP) • Halt mode (HALT) 			
Supply voltage	<ul style="list-style-type: none"> • PLL operation : $V_{DD} = 4.5$ to 5.5 V • CPU operation : $V_{DD} = 3.5$ to 5.5 V 			
Package	80-pin plastic QFP (14 \times 14 mm, 0.65-mm pitch)			

PIN CONFIGURATION (TOP VIEW)

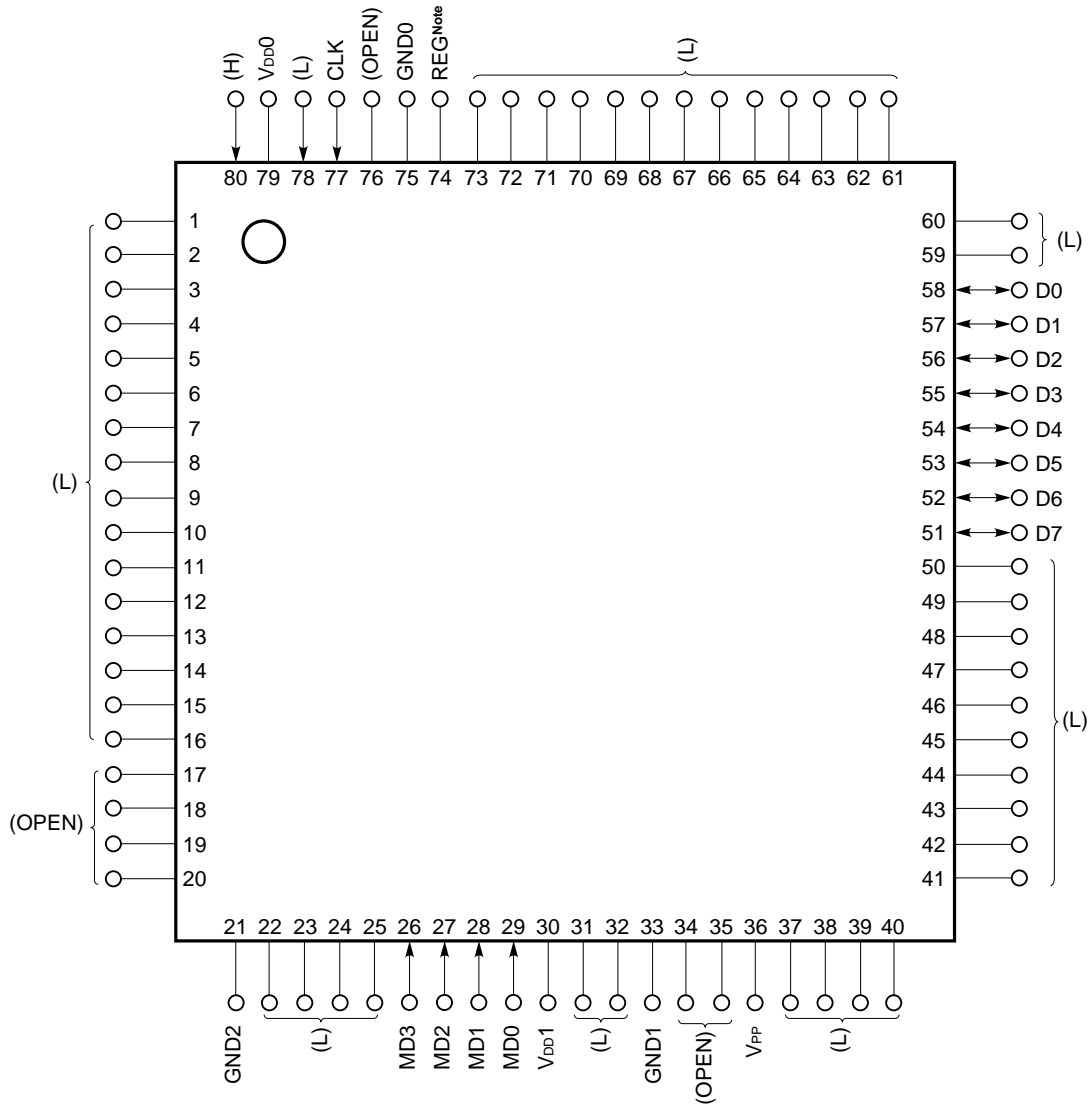
80-pin plastic QFP (14 × 14 mm, 0.65-mm pitch)

μPD17P719GC-3B9

(1) Normal operation mode



(2) PROM programming mode



Note Connect to the same potential as V_{DD}.

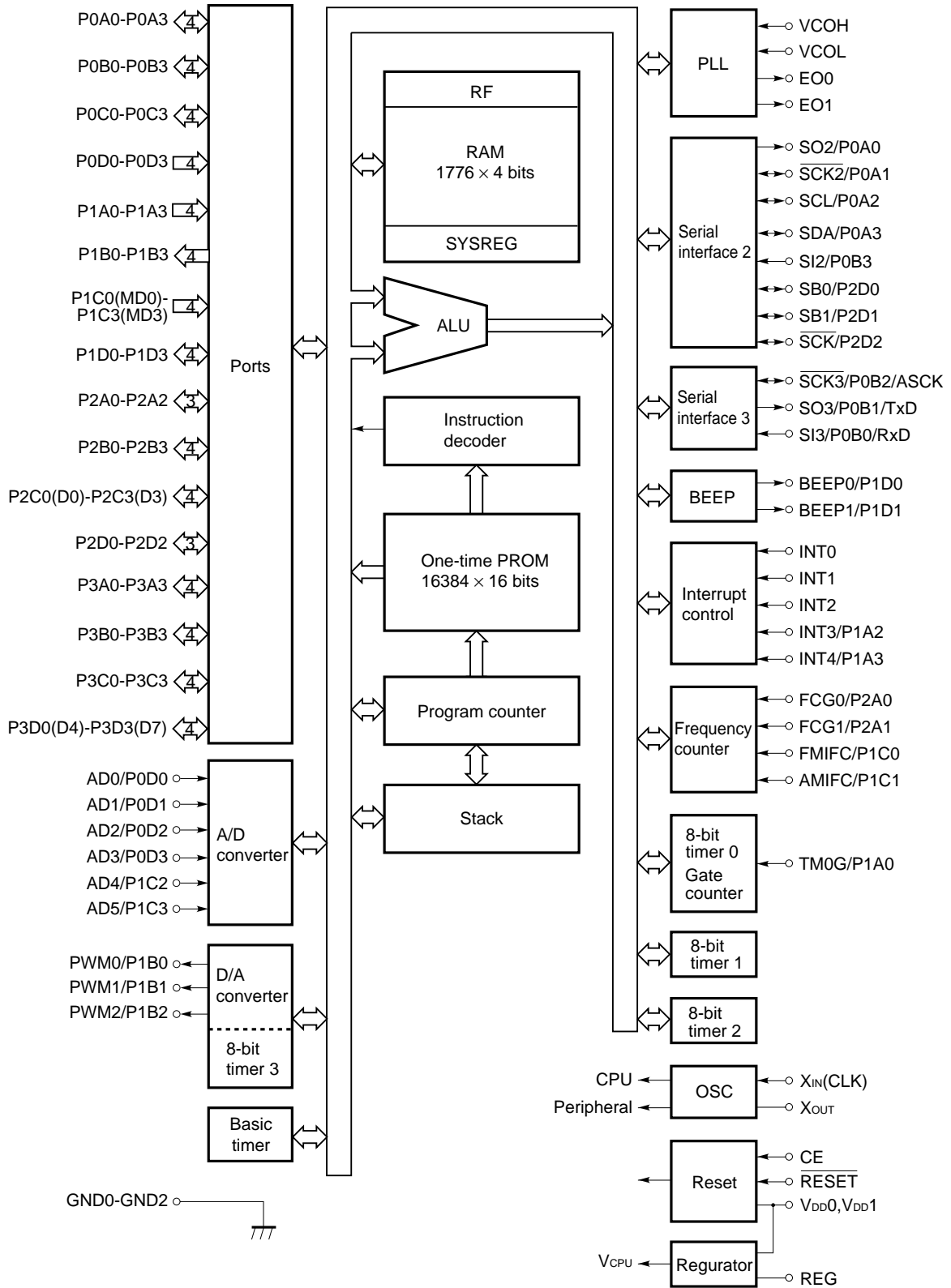
Caution The parentheses above indicate the handling of the pins not used in PROM programming mode.

- L** : Connect each pin to GND through a resistor (470 ohms).
- H** : Connect each pin to V_{DD} through a resistor (470 ohms).
- OPEN** : Leave each pin open.

PIN NAMES

AD0-AD5	: A/D converter inputs	P2C0-P2C3	: Port 2C
AMIFC	: AM frequency counter input	P2D0-P2D2	: Port 2D
ASCK	: UART serial clock I/O	P3A0-P3A3	: Port 3A
BEEP0, BEEP1	: Beep outputs	P3B0-P3B3	: Port 3B
CE	: Chip enable	P3C0-P3C3	: Port 3C
CLK	: Address update clock input	P3D0-P3D3	: Port 3D
D0-D7	: Data I/O	REG	: CPU regulator
EO0, EO1	: Error outputs	$\overline{\text{RESET}}$: Reset input
FCG0, FCG1	: Frequency counter gate inputs	RxD	: UART serial data input
FMIFC	: FM frequency counter input	SB0, SB1	: SBI serial data I/O
GND0-GND2	: Ground 0 to 2	$\overline{\text{SCK}}$: SBI serial clock I/O
INT0-INT4	: External interrupt inputs	$\overline{\text{SCK2}}, \overline{\text{SCK3}}$: 3-wire serial clock I/O
MD0-MD3	: Operating mode selection	SCL	: 2-wire serial clock I/O
PWM0-PWM2	: D/A converter outputs	SDA	: 2-wire serial data I/O
P0A0-P0A3	: Port 0A	SI2, SI3	: 3-wire serial data input
P0B0-P0B3	: Port 0B	SO2, SO3	: 3-wire serial data output
P0C0-P0C3	: Port 0C	TEST	: Test input
P0D0-P0D3	: Port 0D	TM0G	: Timer 0 gate input
P1A0-P1A3	: Port 1A	TxD	: UART serial data output
P1B0-P1B3	: Port 1B	VCOH	: Local oscillation high input
P1C0-P1C3	: Port 1C	VCOL	: Local oscillation low input
P1D0-P1D3	: Port 1D	V _{DD0} , V _{DD1}	: Power supply
P2A0-P2A2	: Port 2A	V _{PP}	: Program voltage application
P2B0-P2B3	: Port 2B	X _{IN} , X _{OUT}	: Main clock oscillation

BLOCK DIAGRAM



Remark Pins enclosed in parentheses are used in PROM programming mode.

CONTENTS

1. PIN FUNCTIONS	9
1.1 NORMAL OPERATION MODE	9
1.2 PROM PROGRAMMING MODE	13
1.3 EQUIVALENT CIRCUIT OF PINS	14
1.4 HANDLING UNUSED PINS	19
1.5 NOTES ON USE OF THE CE, INT0-INT4, AND $\overline{\text{RESET}}$ PINS (ONLY IN NORMAL OPERATION MODE)	21
1.6 NOTES ON USE OF THE TEST PIN (ONLY IN NORMAL OPERATION MODE)	21
2. ONE-TIME PROM (PROGRAM MEMORY) WRITE, READ, AND VERIFICATION	22
2.1 OPERATING MODES FOR PROGRAM MEMORY WRITE, READ, AND VERIFICATION	23
2.2 PROGRAM MEMORY WRITE PROCEDURE	24
2.3 PROGRAM MEMORY READ PROCEDURE	25
3. ELECTRICAL CHARACTERISTICS	26
4. PACKAGE DRAWING	31
5. RECOMMENDED SOLDERING CONDITIONS	32
APPENDIX DEVELOPMENT TOOLS	33

1. PIN FUNCTIONS

1.1 NORMAL OPERATION MODE

Pin No.	Symbol	Function	Output format
1 41 42	INT2 INT1 INT0	Input for edge-detected vectored. Either a rising edge or falling edge can be selected.	-
2 3 4 5	P1A3/INT4 P1A2/INT3 P1A1 P1A0/TM0G	Input for port 1A, external interrupt request signal, and event signal <ul style="list-style-type: none"> • P1A3-P1A0 <ul style="list-style-type: none"> • 4-bit input port • INT4, INT3 <ul style="list-style-type: none"> • Edge-detected vectored interrupt • TM0G <ul style="list-style-type: none"> • Gate input for 8-bit timer 0 	-
		When reset	When the clock is stopped
		Power-on reset	WDT&SP reset
		CE reset	
		Input (P1A3-P1A0)	Input (P1A3-P1A0)
		Held	Held
6 to 9	P3A3 to P3A0	4-bit I/O port. Input/output can be specified in 4-bit units.	CMOS push-pull
		When reset	When the clock is stopped
		Power-on reset	WDT&SP reset
		CE reset	
		Input	Input
		Held	Held
10 to 13	P3B3 to P3B0	4-bit I/O port. Input/output can be specified in 4-bit units.	CMOS push-pull
		When reset	When the clock is stopped
		Power-on reset	WDT&SP reset
		CE reset	
		Input	Input
		Held	Held
14 15 16	P2A2 P2A1/FCG1 P2A0/FCG0	Input for port 2A and external gate counter <ul style="list-style-type: none"> • P2A2-P2A0 <ul style="list-style-type: none"> • 3-bit I/O port • Input/output can be specified bit by bit. • FCG1, FCG0 <ul style="list-style-type: none"> • External gate counter input 	CMOS push-pull
		When reset	When the clock is stopped
		Power-on reset	WDT&SP reset
		CE reset	
		Input (P2A2-P2A0)	Input (P2A2-P2A0)
		Held (P2A2-P2A0)	Held (P2A2-P2A0)

Pin No.	Symbol	Function				Output format
17 18 to 20	P1B3 P1B2/PWM2 to P1B0/PWM0	Output for port 1B and D/A converter <ul style="list-style-type: none"> • P1B3-P1B0 <ul style="list-style-type: none"> • 4-bit output port • PWM2-PWM0 <ul style="list-style-type: none"> • 8-bit or 9-bit D/A converter output 				N-ch open-drain (12-V withstand voltage)
		When reset			When the clock is stopped	
		Power-on reset	WDT&SP reset	CE reset		
		Low-level output (P1B3-P1B0)	Low-level output (P1B3-P1B0)	Held	Held (P1B3-P1B0)	
21 33 75	GND2 GND1 GND0	Ground				-
22 to 25	P0D3/AD3 to P0D0/AD0	Input for port 0D and A/D converter <ul style="list-style-type: none"> • P0D3-P0D0 <ul style="list-style-type: none"> • 4-bit input port • A pull-down resistor can be set bit by bit. • AD3-AD0 <ul style="list-style-type: none"> • Analog input for 8-bit-resolution A/D converter 				-
		When reset			When the clock is stopped	
		Power-on reset	WDT&SP reset	CE reset		
		Input with pull-down resistors (P0D3-P0D0)	Input with pull-down resistors (P0D3-P0D0)	Held	Held	
26 27 28 29	P1C3/AD5 P1C2/AD4 P1C1/AMIFC P1C0/FMIFC	Input for port 1C, A/D converter, and IF counter <ul style="list-style-type: none"> • P1C3-P1C0 <ul style="list-style-type: none"> • 4-bit input port • AD5, AD4 <ul style="list-style-type: none"> • Analog input for 8-bit-resolution A/D converter • FMIFC, AMIFC <ul style="list-style-type: none"> • Frequency counter input 				-
		When reset			When the clock is stopped	
		Power-on reset	WDT&SP reset	CE reset		
		Input (P1C3-P1C0)	Input (P1C3-P1C0)	<ul style="list-style-type: none"> • P1C3/AD5, P1C2/AD4 Held • P1C1/AMIFC, P1C0/FMIFC Input (P1C1, P1C0) 	<ul style="list-style-type: none"> • P1C3/AD5, P1C2/AD4 Held • P1C1/AMIFC, P1C0/FMIFC Input (P1C1, P1C0) 	

Pin No.	Symbol	Function	Output format											
30 79	V _{DD1} V _{DD0}	Power supply. Apply the same voltage to the V _{DD1} and V _{DD0} pins. <ul style="list-style-type: none"> When the CPU and peripheral functions are operating: 4.5 to 5.5 V When only the CPU is operating: 3.5 to 5.5 V When the clock is stopped: 2.2 to 5.5 V 	-											
31 32	VCOH VCOL	Input for PLL local oscillation (VCO) frequency <ul style="list-style-type: none"> VCOH <ul style="list-style-type: none"> Active when VHF mode is selected by software. Otherwise, pulled down. VCOL <ul style="list-style-type: none"> Active when HF or MW mode is selected by software. Otherwise, pulled down. <p>Inputs to these pins are to be AC-amplified. Cut, therefore, the DC components in the input signals by using capacitors.</p>	-											
34 35	EO0 EO1	Output from the charge pump of the PLL frequency synthesizer. The result of phase comparison between the divided local oscillation frequency and reference frequency is output. <table border="1" style="width: 100%; margin-top: 10px;"> <tr> <td colspan="3">When reset</td> <td rowspan="2">When the clock is stopped</td> </tr> <tr> <td>Power-on reset</td> <td>WDT&SP reset</td> <td>CE reset</td> </tr> <tr> <td>High-impedance output</td> <td>High-impedance output</td> <td>High-impedance output</td> <td>High-impedance output</td> </tr> </table>	When reset			When the clock is stopped	Power-on reset	WDT&SP reset	CE reset	High-impedance output	High-impedance output	High-impedance output	High-impedance output	CMOS tristate
When reset			When the clock is stopped											
Power-on reset	WDT&SP reset	CE reset												
High-impedance output	High-impedance output	High-impedance output	High-impedance output											
36	TEST	Test input pin. Be sure to connect it to GND.	-											
37 38 39 40	P1D3 P1D2 P1D1/BEEP1 P1D0/BEEP0	Output for port 1D and BEEP <ul style="list-style-type: none"> P1D3-P1D0 <ul style="list-style-type: none"> 4-bit I/O port Input/output can be specified bit by bit. BEEP1, BEEP0 <ul style="list-style-type: none"> BEEP output <table border="1" style="width: 100%; margin-top: 10px;"> <tr> <td colspan="3">When reset</td> <td rowspan="2">When the clock is stopped</td> </tr> <tr> <td>Power-on reset</td> <td>WDT&SP reset</td> <td>CE reset</td> </tr> <tr> <td>Input (P1D3-P1D0)</td> <td>Input (P1D3-P1D0)</td> <td>Held (P1D3-P1D0)</td> <td>Held (P1D3-P1D0)</td> </tr> </table>	When reset			When the clock is stopped	Power-on reset	WDT&SP reset	CE reset	Input (P1D3-P1D0)	Input (P1D3-P1D0)	Held (P1D3-P1D0)	Held (P1D3-P1D0)	CMOS push-pull
When reset			When the clock is stopped											
Power-on reset	WDT&SP reset	CE reset												
Input (P1D3-P1D0)	Input (P1D3-P1D0)	Held (P1D3-P1D0)	Held (P1D3-P1D0)											
43 to 46	P2B3 to P2B0	4-bit I/O port. Input/output can be specified bit by bit. <table border="1" style="width: 100%; margin-top: 10px;"> <tr> <td colspan="3">When reset</td> <td rowspan="2">When the clock is stopped</td> </tr> <tr> <td>Power-on reset</td> <td>WDT&SP reset</td> <td>CE reset</td> </tr> <tr> <td>Input</td> <td>Input</td> <td>Held</td> <td>Held</td> </tr> </table>	When reset			When the clock is stopped	Power-on reset	WDT&SP reset	CE reset	Input	Input	Held	Held	CMOS push-pull
When reset			When the clock is stopped											
Power-on reset	WDT&SP reset	CE reset												
Input	Input	Held	Held											
47 to 50	P3C3 to P3C0	4-bit I/O port. Input/output can be specified in 4-bit units. <table border="1" style="width: 100%; margin-top: 10px;"> <tr> <td colspan="3">When reset</td> <td rowspan="2">When the clock is stopped</td> </tr> <tr> <td>Power-on reset</td> <td>WDT&SP reset</td> <td>CE reset</td> </tr> <tr> <td>Input</td> <td>Input</td> <td>Held</td> <td>Held</td> </tr> </table>	When reset			When the clock is stopped	Power-on reset	WDT&SP reset	CE reset	Input	Input	Held	Held	CMOS push-pull
When reset			When the clock is stopped											
Power-on reset	WDT&SP reset	CE reset												
Input	Input	Held	Held											

Pin No.	Symbol	Function	Output format		
51 to 54	P3D3 to P3D0	4-bit I/O port. Input/output can be specified in 4-bit units.	CMOS push-pull		
		When reset		When the clock is stopped	
		Power-on reset			WDT&SP reset
Input	Input	Held	Held		
55 to 58	P2C3 to P2C0	4-bit I/O port. Input/output can be specified bit by bit.	CMOS push-pull		
		When reset		When the clock is stopped	
		Power-on reset			WDT&SP reset
Input	Input	Held	Held		
59 to 62	P0C3 to P0C0	4-bit I/O port. Input/output can be specified bit by bit.	CMOS push-pull		
		When reset		When the clock is stopped	
		Power-on reset			WDT&SP reset
Input	Input	Held	Held		
63 64	P0A3/SDA P0A2/SCL	Input/output for P0A, P0B, P2D, and serial interface <ul style="list-style-type: none"> P0A3-P0A0 	N-ch open-drain		
65 66 67 68 69 70 71	P0A1/SCK2 P0A0/SO2 P0B3/SI2 P0B2/SCK3/ ASCK P0B1/SO3/TxD P0B0/SI3/RxD P2D2/SCK	<ul style="list-style-type: none"> 4-bit I/O port Input/output can be specified bit by bit. P0B3-P0B0 4-bit I/O port Input/output can be specified bit by bit. P2D2-P2D0 3-bit I/O port Input/output can be specified bit by bit. SDA, SCL Serial data and serial clock I/O when the 2-wire serial I/O or I²C bus of serial interface 2 is selected. 	CMOS push-pull		
72 73	P2D1/SB1 P2D0/SB0	<ul style="list-style-type: none"> SCK2, SO2, SI2 Serial clock I/O, serial data output, and serial data input when the 3-wire serial I/O of serial interface 2 is selected. SCK3, SO3, SI3 Serial clock I/O, serial data output, and serial data input when the 3-wire serial I/O of serial interface 3 is selected. ASCK, TxD, RxD Serial clock I/O, serial data output, and serial data input when the UART of serial interface 3 is selected. SCK, SB1, SB0 Serial clock and serial data I/O when the SBI of serial interface 2 is selected. 	N-ch open-drain		
		When reset		When the clock is stopped	
Power-on reset	WDT&SP reset	CE reset			
Input (P0A3-P0A0, P0B3-P0B0, P2D2-P2D0)	Input (P0A3-P0A0, P0B3-P0B0, P2D2-P2D0)	Held (P0A3-P0A0, P0B3-P0B0, P2D2-P2D0)	Held (P0A3-P0A0, P0B3-P0B0, P2D2-P2D0)		

Pin No.	Symbol	Function	Output format
74	REG	CPU regulator. Use 0.1-μF capacitor to connect it to GND.	-
76 77	X _{OUT} X _{IN}	A crystal is connected to these pins.	-
78	CE	Input for device operation selection, CE reset, and interrupt signals <ul style="list-style-type: none"> • Device operation selection When CE is high, the PLL frequency synthesizer can be operated. When CE is low, the PLL frequency synthesizer is automatically disabled by the device. • CE reset Setting CE from low to high resets the device upon the detection of a rising edge of the internal basic timer setting pulse. A reset timing delay can also be specified. • Interrupt A vectored interrupt occurs upon the detection of a falling edge of the input signal. 	-
80	<u>RESET</u>	Reset input	-

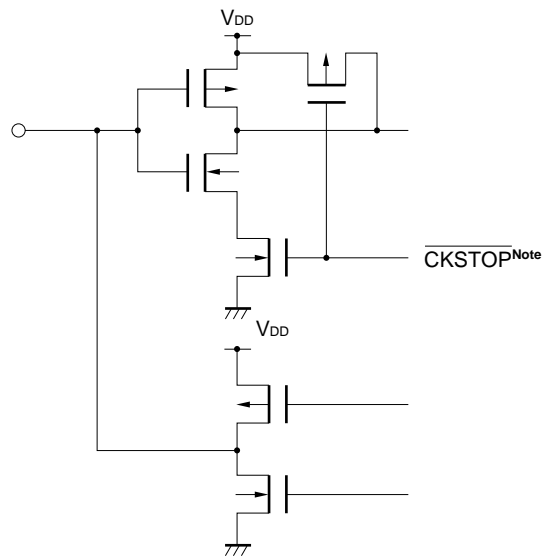
1.2 PROM PROGRAMMING MODE

Pin No.	Symbol	Function	Output format
26 to 29	MD3 to MD0	Input for operating mode selection for program memory write, read, or verification	-
21 33 75	GND2 GND1 GND0	Ground	-
36	V _{PP}	Pin to which program voltage is applied during program memory write, read, or verification. +12.5 V is applied.	-
30 79	V _{DD1} V _{DD0}	Power supply pins. +6 V is applied during program memory write, read, or verification.	-
51 to 58	D7 to D0	8-bit data I/O for program memory write, read, or verification	CMOS push-pull
77	CLK	Clock input for address updating during program memory write, read, or verification	-

Remark The pins other than those listed above are not used in PROM programming mode. For the handling of the unused pins, see **PIN CONFIGURATION, (2) PROM programming mode**.

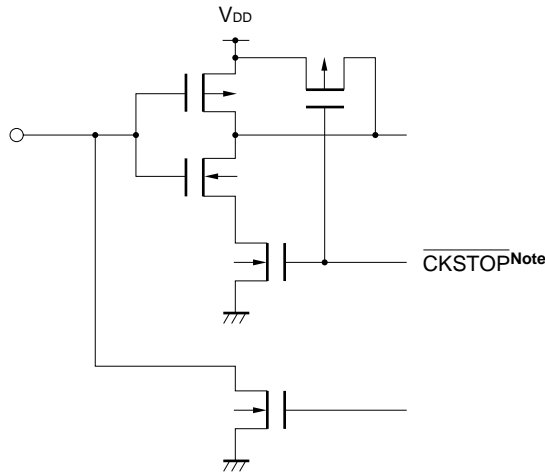
1.3 EQUIVALENT CIRCUIT OF PINS

- (1) P0A (P0A1/ $\overline{\text{SCK2}}$, P0A0/SO2)
 - P0B (P0B3/SI2, P0B2/ $\overline{\text{SCK3}}$ /ASCK, P0B1/SO3/TxD, P0B0/SI3/RxD)
 - P0C (P0C3, P0C2, P0C1, P0C0)
 - P1D (P1D3, P1D2, P1D1/BEEP1, P1D0/BEEP0)
 - P2A (P2A2, P2A1/FCG1, P2A0/FCG0)
 - P2B (P2B3, P2B2, P2B1, P2B0)
 - P2C (P2C3, P2C2, P2C1, P2C0)
 - P2D (P2D2/ $\overline{\text{SCK}}$)
 - P3A (P3A3, P3A2, P3A1, P3A0)
 - P3B (P3B3, P3B2, P3B1, P3B0)
 - P3C (P3C3, P3C2, P3C1, P3C0)
 - P3D (P3D3, P3D2, P3D1, P3D0)
- } (I/O)



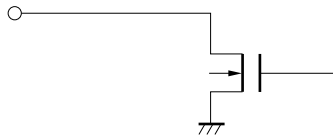
Note In this circuit, a current drained by noise does not increase even if the circuit is in the floating state, because of the internal signal being output when the clock stop instruction is executed.

- (2) P0A (P0A3/SDA, P0A2/SCL) } (I/O)
- P2D (P2D1/SB1, P2D0/SB0) }

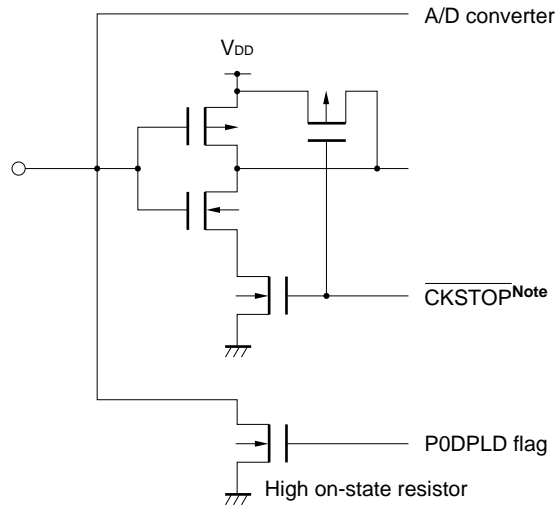


Note In this circuit, a current drained by noise does not increase even if the circuit is in the floating state, because of the internal signal being output when the clock stop instruction is executed.

- (3) P1B (P1B3, P1B2/PWM2, P1B1/PWM1, P1B0/PWM0) (Output)

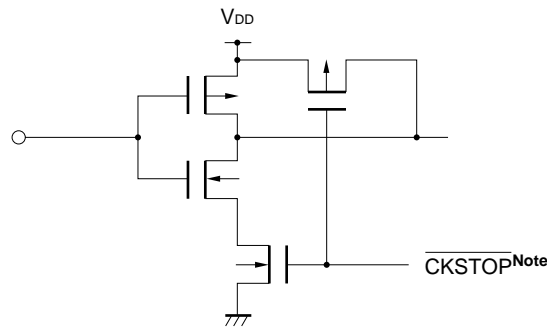


- (4) P0D (P0D3/AD3, P0D2/AD2, P0D1/AD1, P0D0/AD0) (Input)



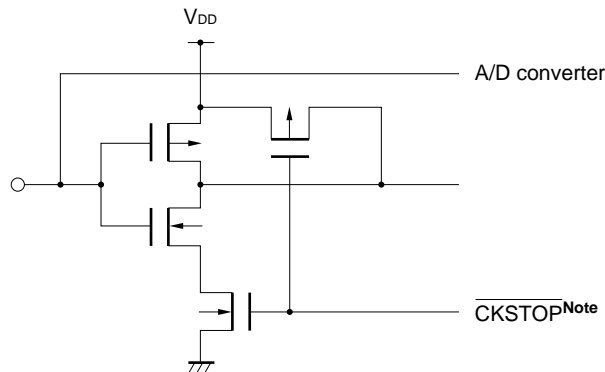
Note In this circuit, a current drained by noise does not increase even if the circuit is in the floating state, because of the internal signal being output when the clock stop instruction is executed.

(5) P1A (P1A1) (Input)



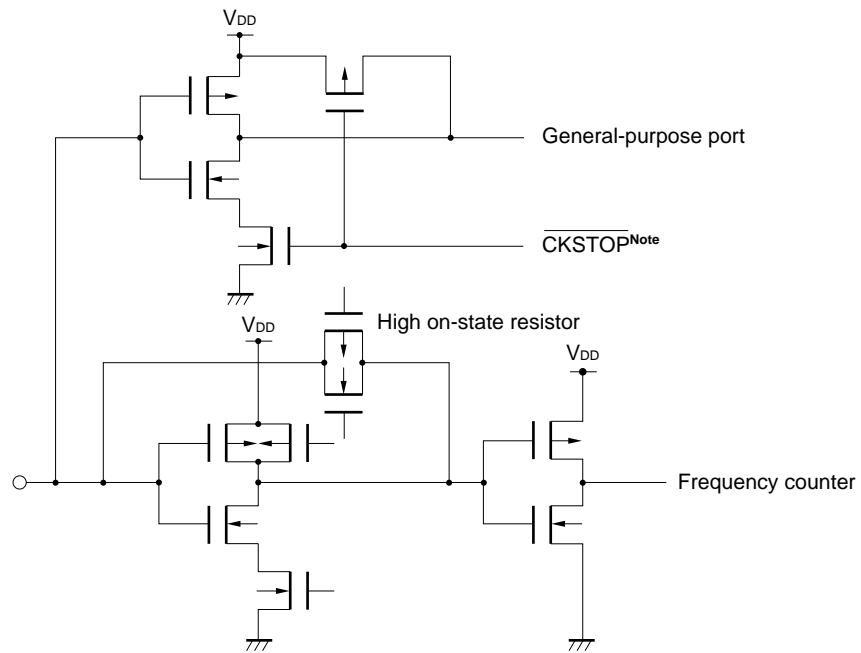
Note In this circuit, a current drained by noise does not increase even if the circuit is in the floating state, because of the internal signal being output when the clock stop instruction is executed.

(6) P1C (P1C3/AD5, P1C2/AD4) (Input)



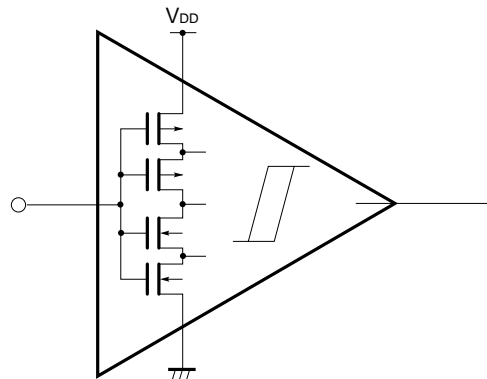
Note In this circuit, a current drained by noise does not increase even if the circuit is in the floating state, because of the internal signal being output when the clock stop instruction is executed.

(7) P1C (P1C1/AMIFC, P1C0/FMIFC) (Input)

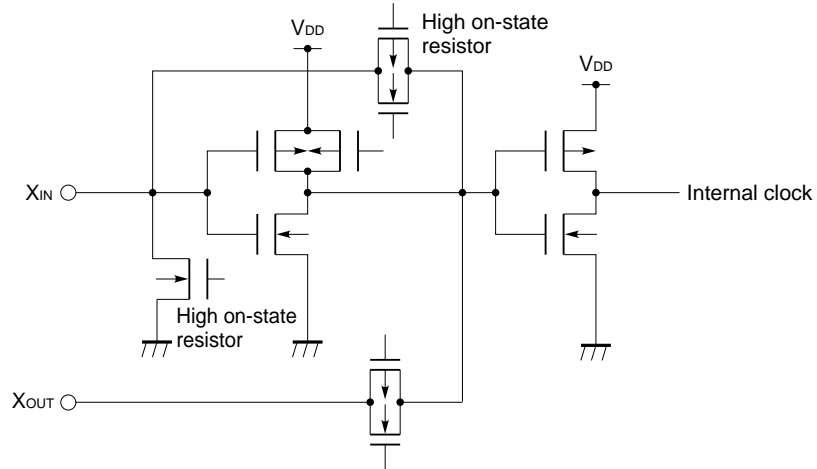


Note In this circuit, a current drained by noise does not increase even if the circuit is in the floating state, because of the internal signal being output when the clock stop instruction is executed.

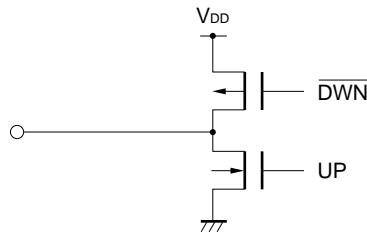
- (8) CE
 - RESET
 - INT0, INT1, INT2
 - P1A (P1A3/INT4, P1A2/INT3, P1A0/TM0G)
- } (Schmitt-triggered input)



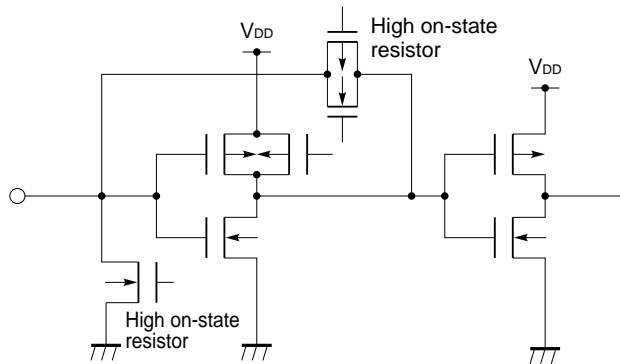
(9) X_{OUT} (Output), X_{IN} (Input)



(10) EO1, EO0 (Output)



(11) VCOH, VCOL (Input)



1.4 HANDLING UNUSED PINS

The unused pins should be handled as indicated in Table 1-1.

Table 1-1 Handling Unused Pins

(1/2)

Pin	I/O format	Recommended handling	
P0D3/AD3-P0D0/AD0	Input	Connect each pin to GND through a resistor. Note 1	
P1C3/AD5 P1C2/AD4 P1C1/AMIFC Note 2 P1C0/FMIFC Note 2		Specify as a port and connect each pin to V _{DD} or GND through a resistor. Note 1	
P1A3/INT4 P1A2/INT3 P1A1 P1A0/TM0G		Connect each pin to GND through a resistor. Note 1	
P1B3 P1B2/PWM2-P1B0/PWM0	N-ch open-drain output	Specify low output, in the software, and leave open.	
Port pins	P0A3/SDA P0A2/SCL P0A1/ $\overline{\text{SCK2}}$ P0A0/SO2	I/O Note 3	Specify as a general-purpose input port, in the software, and connect each pin to V _{DD} or GND through a resistor. Note 1
	P0B3/SI2 P0B2/ $\overline{\text{SCK3}}$ /ASCK P0B1/SO3/TxD P0B0/SI3/RxD		
	P0C3-P0C0		
	P1D3 P1D2 P1D1/BEEP1 P1D0/BEEP0		
	P2A2 P2A1/FCG1 P2A0/FCG0		
	P2B3-P2B0		
	P2C3-P2C0		

- Notes**
1. When making an external connection to V_{DD} with a pull-up resistor, or to GND with a pull-down resistor, note the following: If the resistance of the pull-up or pull-down resistor is too high, the pin approaches the high impedance state, thus increasing the through current drawn by the port. In general, pull-up and pull-down resistors should have a resistance of between 20 and 50 kilohms, depending on the application circuit.
 2. Do not specify AMIFC or FMIFC. If AMIFC or FMIFC is specified, current drain increases.
 3. I/O ports become general-purpose input ports upon power-on reset, reset by the $\overline{\text{RESET}}$ pin, watchdog timer reset, or stack overflow/underflow reset.

Table 1-1 Handling Unused Pins

(2/2)

	Pin	I/O format	Recommended handling
Port pins	P2D2/SCK P2D1/SB1 P2D0/SB0	I/O Note 2	Specify as a general-purpose input port, in the software, and connect each pin to V _{DD} or GND through a resistor. Note 1
	P3A3-P3A0		
	P3B3-P3B0		
	P3C3-P3C0		
	P3D3-P3D0		
Other than port pins	CE	Input	Connect to V _{DD} through a resistor. Note 1
	EO1 EO0	Output	Leave each pin open.
	INT0-INT2	Input	Connect each pin to GND through a resistor. Note 1
	RESET	Input	Connect to V _{DD} through a resistor. Note 1
	TEST	-	Connect directly to GND.
	VCOH VCOL	Input	Disable PLL, in the program, and leave each pin open.

Notes 1. When making an external connection to V_{DD} with a pull-up resistor, or to GND with a pull-down resistor, note the following: If the resistance of the pull-up or pull-down resistor is too high, the pin approaches the high impedance state, thus increasing the through current drawn by the port. In general, pull-up and pull-down resistors should have a resistance of between 20 and 50 kilohms, depending on the application circuit.

2. I/O ports become general-purpose input ports upon power-on reset, reset by the $\overline{\text{RESET}}$ pin, watchdog timer reset, or stack overflow/underflow reset.

1.5 NOTES ON USE OF THE CE, INT0-INT4, AND $\overline{\text{RESET}}$ PINS (ONLY IN NORMAL OPERATION MODE)

The CE, INT0-INT4, and $\overline{\text{RESET}}$ pins can be used as the test mode selection pin for testing the internal operation of the μPD17P719 (IC test), besides the usage shown in **Section 1.1**.

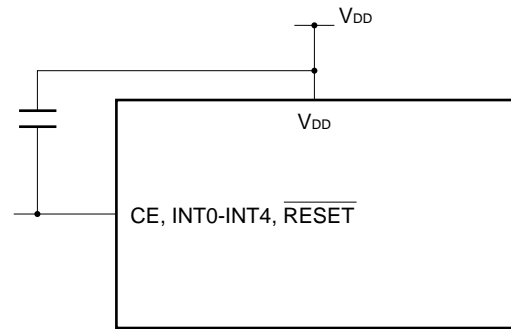
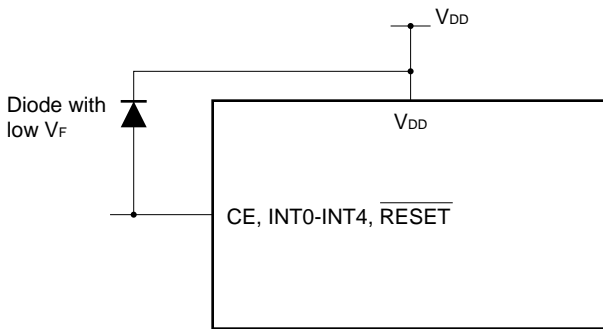
Applying a voltage exceeding V_{DD} to the CE, INT0-INT4, or $\overline{\text{RESET}}$ pin causes the μPD17P719 to enter test mode. When noise exceeding V_{DD} comes in during normal operation, the device may not operate normally.

For example, if the wiring from the CE, INT0-INT4, or $\overline{\text{RESET}}$ pin is too long, noise may be induced on the wiring, causing this mode switching.

When installing the wiring, lay the wiring in such a way that noise is suppressed as much as possible. If noise yet arises, use an external part to suppress it as shown below.

- Connect a diode with low V_F between the pin and V_{DD} .

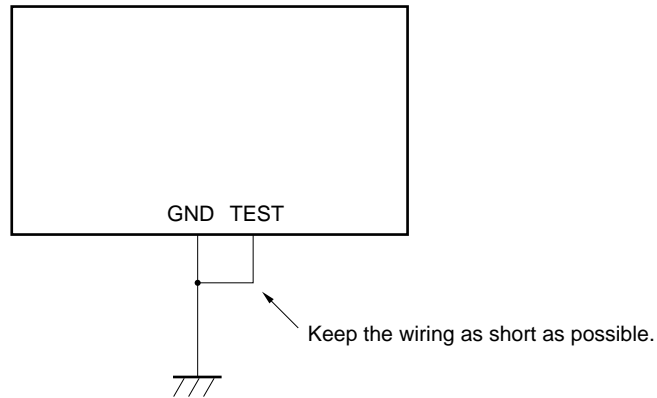
- Connect a capacitor between the pin and V_{DD} .



1.6 NOTES ON USE OF THE TEST PIN (ONLY IN NORMAL OPERATION MODE)

Applying V_{DD} to the TEST pin causes the μPD17P719 to enter test mode or program memory write/verify mode. Keep the wiring as short as possible and connect the TEST pin directly to the GND pin.

When the wiring between the TEST pin and GND pin is too long or external noise enters the TEST pin, a voltage difference may occur between the TEST pin and GND pin. When this happens, your program may malfunction.



2. ONE-TIME PROM (PROGRAM MEMORY) WRITE, READ, AND VERIFICATION

The program memory built into the μPD17P719 is a one-time PROM (16384 × 16 bits) that is electrically writable. In normal operation, this PROM is accessed on a 16-bit word basis. During program memory write, read, and verification, the PROM is accessed on an 8-bit word basis. The higher 8 bits of a 16-bit word are located at an even-numbered address, and the lower 8 bits are located at an odd-numbered address.

For PROM write, read, and verification, PROM programming mode must be specified, and the pins listed in Table 2-1 are used.

In this case, address input is not used. Instead, clock input on the CLK pin is used to update addresses.

Table 2-1 Pins Used for Program Memory Write, Read, and Verification

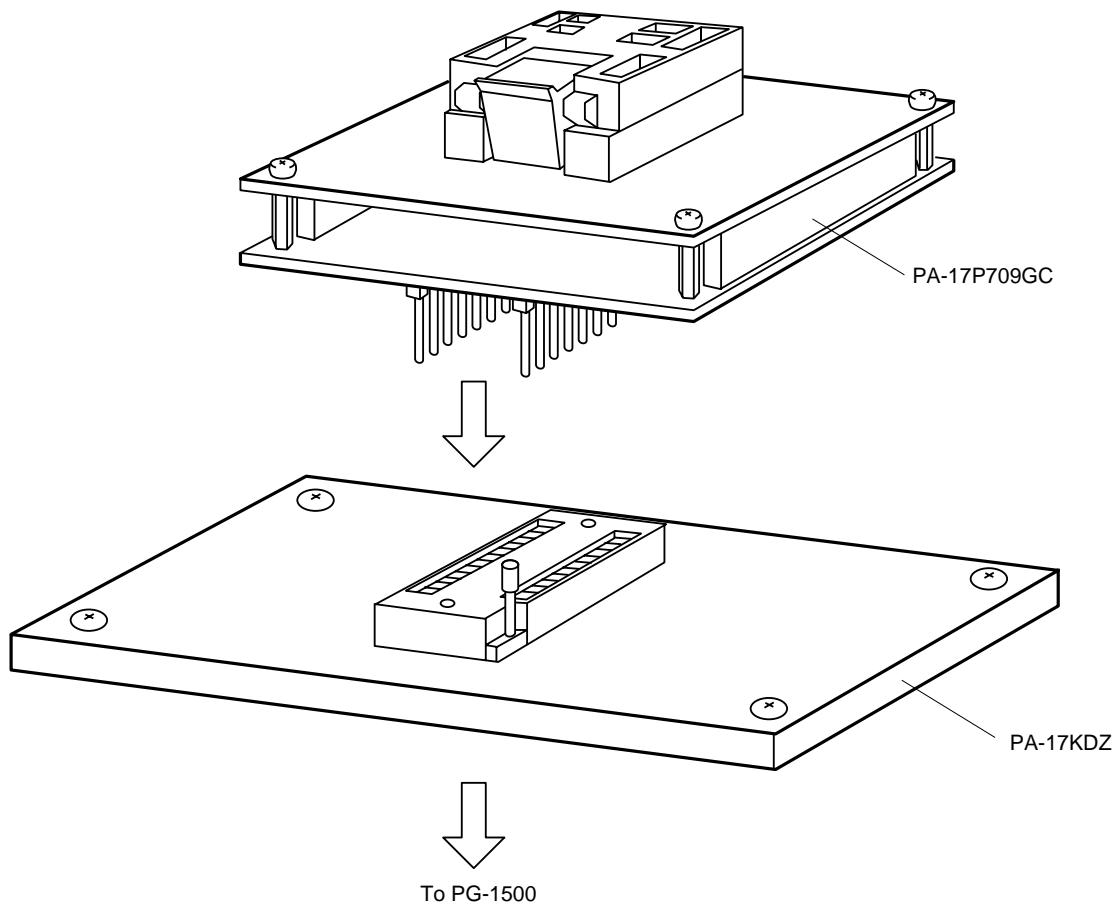
Pin	Function
V _{PP}	Used to apply the program voltage (+12.5 V)
CLK	Used to apply an address update clock
MD0-MD3	Used to select an operating mode
D0-D7	Used to input/output 8-bit data
V _{DD0} , V _{DD1}	Used to apply the power supply voltage (+6 V)

For writing to the built-in PROM, a specified PROM programmer and dedicated programmer adapter are to be used. The following PROM programmers and programmer adapters are usable:

PROM programmer	Programmer adapter
PG-1500 + PA-17KDZ (adapter for PG-1500)	PA-17P709GC

Third-party PROM programmers are also available: For example, AF-9703, AF-9704, AF-9705, and AF-9706 (manufactured by Ando Electric Co., Ltd.)

Fig. 2-1 PA17P709GC and PA-17KDZ



2.1 OPERATING MODES FOR PROGRAM MEMORY WRITE, READ, AND VERIFICATION

The μPD17P719 is placed in program memory write, read, and verify mode when +6 V is applied to the V_{DD} pin, and +12.5 V to the V_{PP} pin.

In this mode, one of the operating modes indicated in Table 2-2 is set, depending on the setting of the MD0 to MD3 pins.

The input pins that are not used for program memory write, read, and verification are connected to GND through a pull-down resistor (470 ohms). (See **PIN CONFIGURATION, (2) PROM programming mode.**)

Table 2-2 Operating Modes for Program Memory Write, Read, and Verication

Operating mode specification						Operating mode
V _{PP}	V _{DD}	MD0	MD1	MD2	MD3	
+12.5 V	+6 V	H	L	H	L	Program memory address zero-clear mode
		L	H	H	H	Write mode
		L	L	H	H	Read/verify mode
		H	X	H	H	Program inhibit mode

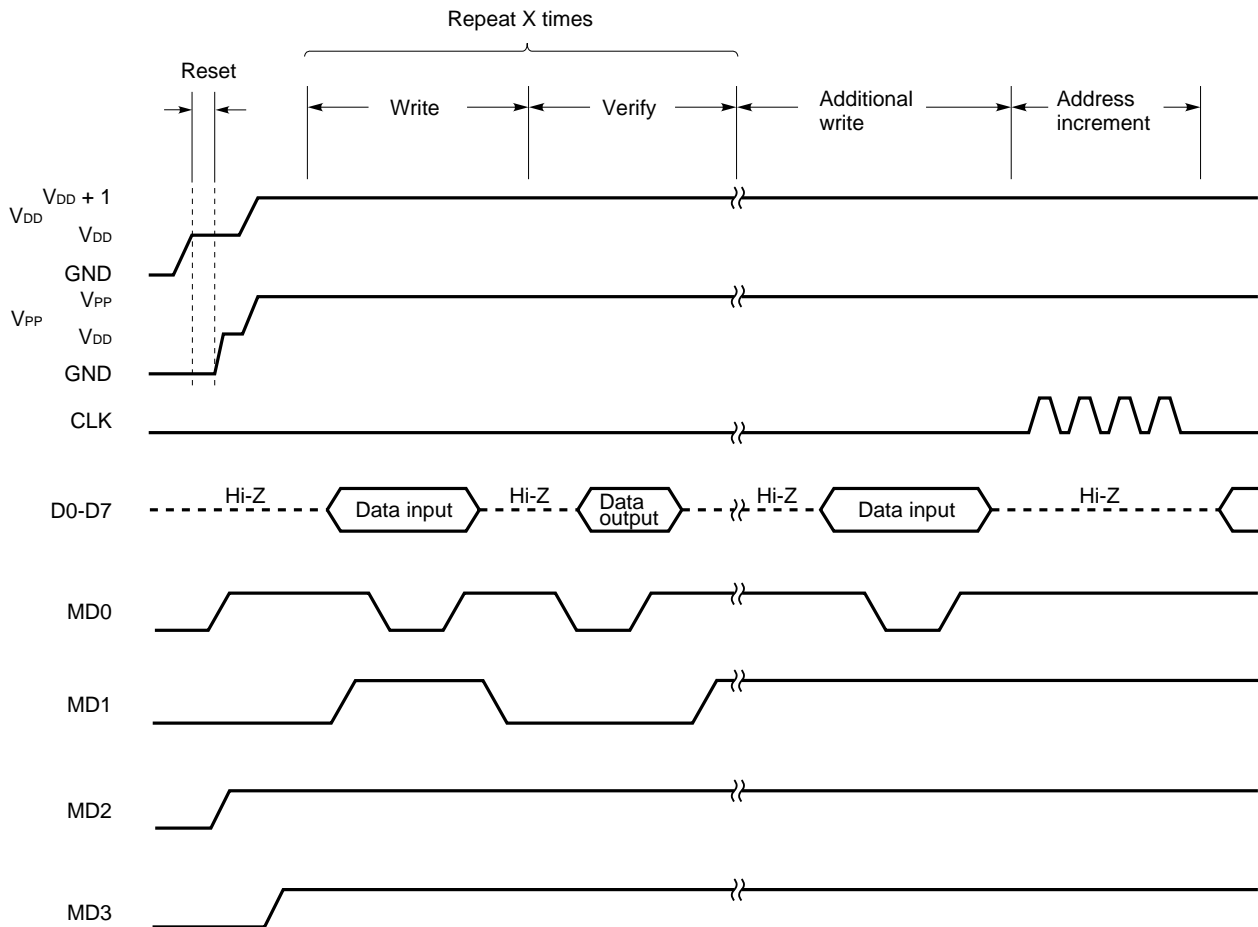
Remark X: L or H

2.2 PROGRAM MEMORY WRITE PROCEDURE

The program memory write procedure is described below. The procedure allows high-speed write operation.

- (1) Connect the unused pins to GND through pull-down resistors. The CLK pin must be low.
- (2) Apply 5 V to the V_{DD} pin. The V_{PP} pin must be low.
- (3) Apply 5 V to the V_{PP} pin after waiting 10 μs.
- (4) Specify program memory address zero-clear mode, using the mode setting pins.
- (5) Apply 6 V to V_{DD}, and 12.5 V to V_{PP}.
- (6) Program inhibit mode
- (7) Write data in 1-ms write mode.
- (8) Program inhibit mode
- (9) Verify mode. When data has been written normally, proceed to step (10). When data has not been written normally, repeat steps (7) to (9).
- (10) Perform an additional write operation ((X: Number of write operations performed in steps (7) to (9)) × 1 ms).
- (11) Program inhibit mode
- (12) Apply four pulses to the CLK pin to increment the program memory address by 1.
- (13) Repeat steps (7) to (12) until the last address is reached.
- (14) Program memory address zero-clear mode
- (15) Change the voltage applied to the V_{DD} and V_{PP} pins to 5 V.
- (16) Turn off the power.

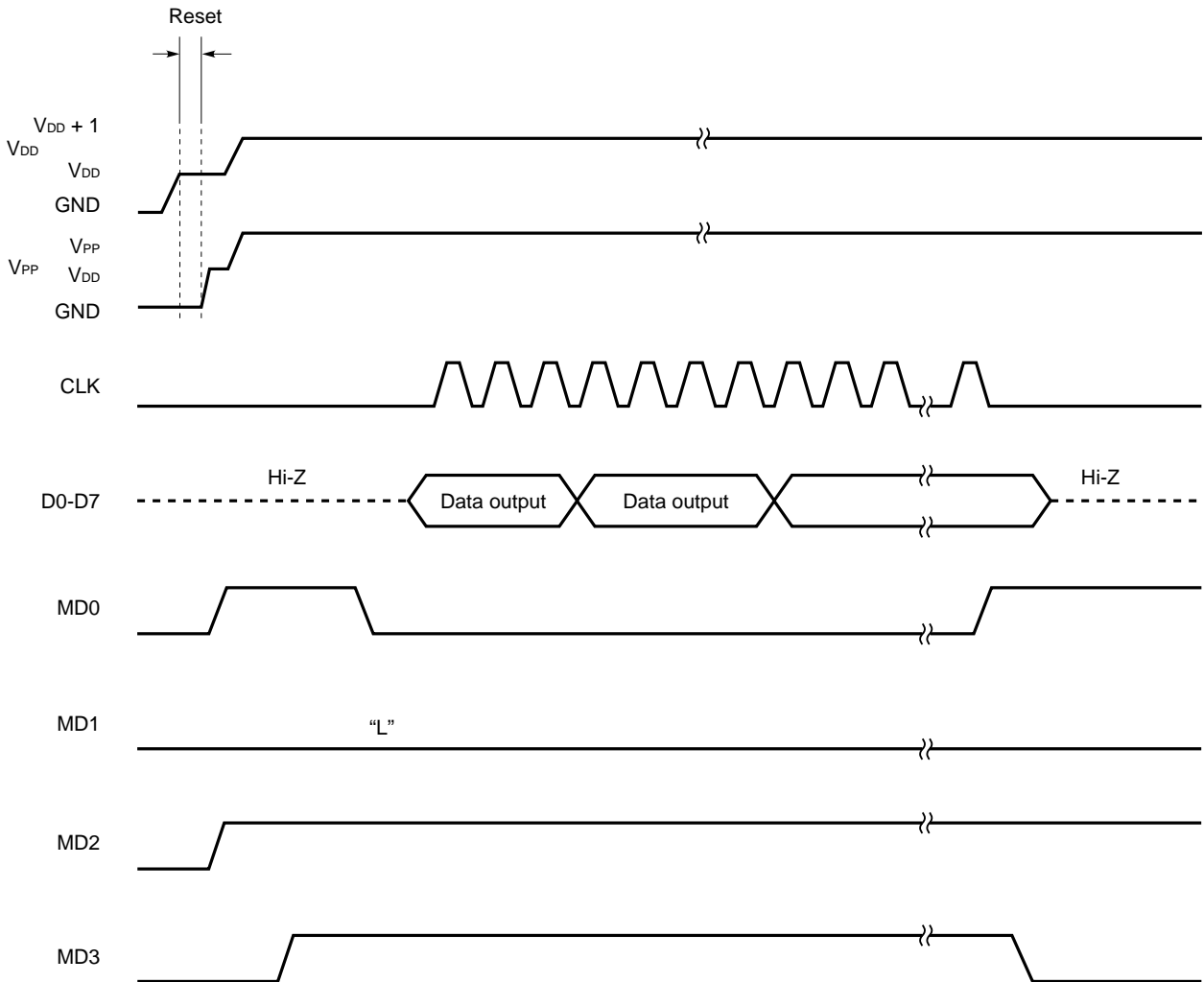
Steps (2) to (12) are illustrated below.



2.3 PROGRAM MEMORY READ PROCEDURE

- (1) Connect the unused pins to GND through pull-down resistors. The CLK pin must be low.
- (2) Apply 5 V to the V_{DD} pin. The V_{PP} pin must be low.
- (3) Apply 5 V to the V_{PP} pin after waiting 10 μs.
- (4) Specify program memory address zero-clear mode, using the mode setting pins.
- (5) Apply 6 V to V_{DD}, and 12.5 V to V_{PP}.
- (6) Program inhibit mode
- (7) Verify mode. When a clock pulse signal is applied to the CLK pin, data is output for each address every four clock pulses.
- (8) Program inhibit mode
- (9) Program memory address zero-clear mode
- (10) Change the voltage applied to the V_{DD} and V_{PP} pins to 5 V.
- (11) Turn off the power.

Steps (2) to (9) are illustrated below.



3. ELECTRICAL CHARACTERISTICS

ABSOLUTE MAXIMUM RATINGS (T_A = 25 °C)

Parameter	Symbol	Condition	Rating	Unit
Supply voltage	V _{DD}		-0.3 to +6.0	V
PROM program voltage	V _{PP}		-0.3 to +13.5	V
Input voltage	V _I	At other than CE, INT0-INT4, and $\overline{\text{RESET}}$ pins	-0.3 to V _{DD} + 0.3	V
		CE, INT0-INT4, and $\overline{\text{RESET}}$ pins	-0.3 to V _{DD} + 0.6	V
Output voltage	V _O	At other than P1B0-P1B3	-0.3 to V _{DD} + 0.3	V
High output current	I _{OH}	At one pin	-8.0	mA
		Total for P2A0-P2A2, P3A0-P3A3, and P3B0-P3B3	-15.0	mA
		Total for P0A0, P0A1, P0B0-P0B3, P0C0-P0C3, P1D0-P1D3, P2B0-P2B3, P2C0-P2C3, P2D2, P3C0-P3C3, and P3D0-P3D3	-25.0	mA
Low output current	I _{OL}	At one pin of P1B0-P1B3	12.0	mA
		At one pin of other than P1B0-P1B3	8.0	mA
		Total for P2A0-P2A2, P3A0-P3A3, and P3B0-P3B3	15.0	mA
		Total for P0A0-P0A3, P0B0-P0B3, P0C0-P0C3, P1D0-P1D3, P2B0-P2B3, P2C0-P2C3, P2D0-P2D2, P3C0-P3C3, and P3D0-P3D3	25.0	mA
		Total for P1B0-P1B3	25.0	mA
Output withstand voltage	V _{BDS}	P1B0-P1B3	14.0	V
Total loss	P _t		200	mW
Operating ambient temperature	T _A		-40 to +85	°C
Storage temperature	T _{stg}		-55 to +125	°C

Caution Absolute maximum ratings are rated values beyond which physical damage will be caused to the product; if the rated value of any of the parameters in the above table is exceeded, even momentarily, the quality of the product may deteriorate. Always use the product within its rated values.

RECOMMENDED OPERATING RANGES (T_A = -40 to +85 °C)

Parameter	Symbol	Condition	Min.	Typ.	Max.	Unit
Supply voltage	V _{DD1}	While the CPU and PLL are operating	4.5	5.0	5.5	V
	V _{DD2}	While the CPU is operating but the PLL is halted	3.5	5.0	5.5	V

RECOMMENDED OUTPUT WITHSTAND VOLTAGE (T_A = -40 to +85 °C)

Parameter	Symbol	Condition	Min.	Typ.	Max.	Unit
Output withstand voltage	V _{BDS}	P1B0-P1B3			12	V

DC CHARACTERISTICS (T_A = -40 to +85 °C, V_{DD} = 3.5 to 5.5 V)

Parameter	Symbol	Condition	Min.	Typ.	Max.	Unit	
Supply current	I _{DD1}	The CPU is operating but the PLL is halted, with a sinusoidal wave applied to the X _{IN} pin. (f _{IN} = 4.5 MHz ±1%, V _{IN} = V _{DD})		1.5	3.0	mA	
	I _{DD2}	The CPU and PLL are halted, with a sinusoidal wave applied to the X _{IN} pin. (f _{IN} = 4.5 MHz ±1%, V _{IN} = V _{DD}) The HALT instruction is used.		0.7	1.5	mA	
Data hold voltage	V _{DDR1}	The crystal oscillator is operating.		3.5		5.5	V
	V _{DDR2}	The crystal oscillator is halted.	The timer flip-flop is used for detecting power failure.	2.2		5.5	V
	V _{DDR3}		Data memory contents are held.	2.0		5.5	V
Data hold current	I _{DDR1}	The crystal oscillator is halted.	V _{DD} = 5 V, T _A = 25 °C		2.0	4.0	μA
	I _{DDR2}				2.0	30.0	μA
High input voltage	V _{IH1}	P0A0, P0B1, P0C0-P0C3, P1A0, P1A1, P1C0-P1C3, P1D0-P1D3, P2A2, P2B0-P2B3, P2C0-P2C3, P3A0-P3A3, P3B0-P3B3, P3C0-P3C3, P3D0-P3D3	0.7V _{DD}		V _{DD}	V	
	V _{IH2}	P0A1-P0A3, P0B0, P0B2, P0B3, P2A0, P2A1, P2D0-P2D2, CE, INT0-INT4, RESET	0.8V _{DD}		V _{DD}	V	
	V _{IH3}	P0D0-P0D3	0.55V _{DD}		V _{DD}	V	
Low input voltage	V _{IL1}	P0A0, P0B1, P0C0-P0C3, P1A0, P1A1, P1C0-P1C3, P1D0-P1D3, P2A2, P2B0-P2B3, P2C0-P2C3, P3A0-P3A3, P3B0-P3B3, P3C0-P3C3, P3D0-P3D3	0		0.3V _{DD}	V	
	V _{IL2}	P0A1-P0A3, P0B0, P0B2, P0B3, P2A0, P2A1, P2D0-P2D2, CE, INT0-INT4, RESET	0		0.2V _{DD}	V	
	V _{IL3}	P0D0-P0D3	0		0.15V _{DD}	V	
High output current	I _{OH1}	P0A0, P0A1, P0B0-P0B3, P0C0-P0C3, P1D0-P1D3, P2A0-P2A2, P2B0-P2B3, P2C0-P2C3, P2D2, P3A0-P3A3, P3B0-P3B3, P3C0-P3C3, P3D0-P3D3 V _{OH} = V _{DD} - 1 V	-1.0			mA	
	I _{OH2}	EO0, EO1 V _{DD} = 4.5 to 5.5 V, V _{OH} = V _{DD} - 1 V	-3.0			mA	
Low output current	I _{OL1}	P0A0-P0A3, P0B0-P0B3, P0C0-P0C3, P1D0-P1D3, P2A0-P2A2, P2B0-P2B3, P2C0-P2C3, P2D0-P2D2, P3A0-P3A3, P3B0-P3B3, P3C0-P3C3, P3D0-P3D3 V _{OL} = 1 V	1.0			mA	
	I _{OL2}	EO0, EO1 V _{DD} = 4.5 to 5.5 V, V _{OL} = 1 V	3.0			mA	
	I _{OL3}	P1B0-P1B3 V _{OL} = 1 V	7.0			mA	
High input current	I _{IH}	P0D0-P0D3 are pulled down. V _{IN} = V _{DD}	5.0		150	μA	
Output-off leakage current	I _{LO1}	P1B0-P1B3 V _{IN} = 12 V			1.0	μA	
	I _{LO2}	EO0, EO1 V _{IN} = V _{DD} , V _{IN} = 0 V			±1.0	μA	
High input leakage current	I _{LIH}	Input pin V _{IN} = V _{DD}			1.0	μA	
Low input leakage current	I _{LIL}	Input pin V _{IN} = 0 V			-1.0	μA	

AC CHARACTERISTICS (T_A = -40 to +85 °C, V_{DD} = 5 V ±10%)

Parameter	Symbol	Condition	Min.	Typ.	Max.	Unit	
Operating frequency	f _{IN1}	V _{COL} pin in MF mode	Sinusoidal wave applied to the V _{IN} pin = 0.15V _{p-p}	0.8		3	MHz
			Sinusoidal wave applied to the V _{IN} pin = 0.20V _{p-p}	0.5		3	MHz
	f _{IN2}	V _{COL} pin in HF mode, with a sinusoidal wave applied to the V _{IN} pin = 0.1V _{p-p} Note	10		40	MHz	
	f _{IN3}	V _{COH} pin in VHF mode, with a sinusoidal wave applied to the V _{IN} pin = 0.1V _{p-p} Note	60		130	MHz	
	f _{IN4}	AMIFC pin, with a sinusoidal wave applied to the V _{IN} pin = 0.15V _{p-p}	0.4		0.5	MHz	
	f _{IN5}	FMIFC pin in FMIF count mode, with a sinusoidal wave applied to the V _{IN} pin = 0.20V _{p-p}	10		11	MHz	
	f _{IN6}	FMIFC pin in AMIF count mode, with a sinusoidal wave applied to the V _{IN} pin = 0.15V _{p-p}	0.4		0.5	MHz	
SIO2 input frequency	f _{IN7}	External clock			1	MHz	
SIO3 input frequency	f _{IN8}	External clock			0.7	MHz	

Note The condition of sinusoidal wave input V_{IN} = 0.1V_{p-p} is the rated value when the μPD17P719 alone is operating. Where influence of noise must be taken into consideration, operation under input amplitude condition of V_{IN} = 0.15V_{p-p} is recommended.

A/D CONVERTER CHARACTERISTICS (T_A = -40 to +85 °C, V_{DD} = 5 V ±10%)

Parameter	Symbol	Condition	Min.	Typ.	Max.	Unit
Total error in A/D conversion		8 bits			±3.0	LSB
Total error in A/D conversion		8 bits			±2.5	LSB

REFERENCE CHARACTERISTICS (T_A = +25 °C, V_{DD} = 5.0 V)

Parameter	Symbol	Condition	Min.	Typ.	Max.	Unit
Supply current	I _{DD3}	The CPU and PLL are operating, with a sinusoidal wave applied to the V _{COH} pin. (f _{IN} = 130 MHz, V _{IN} = 0.3V _{p-p})		6.0	12.0	mA

DC PROGRAMMING CHARACTERISTICS ($T_A = 25 \pm 5 \text{ }^\circ\text{C}$, $V_{DD} = 6.0 \pm 0.25 \text{ V}$, $V_{PP} = 12.5 \pm 0.3 \text{ V}$)

Parameter	Symbol	Condition	Min.	Typ.	Max.	Unit
Input high voltage	V_{IH1}	Other than CLK	$0.7V_{DD}$		V_{DD}	V
	V_{IH2}	CLK	$V_{DD} - 0.5$		V_{DD}	V
Input low voltage	V_{IL1}	Other than CLK	0		$0.3V_{DD}$	V
	V_{IL2}	CLK	0		0.4	V
Input leakage current	I_{LI}	$V_{IN} = V_{IL}$ or V_{IH}			10	μA
Output high voltage	V_{OH}	$I_{OH} = -1 \text{ mA}$	$V_{DD} - 1.0$			V
Output low voltage	V_{OL}	$I_{OL} = 1.6 \text{ mA}$			0.4	V
V_{DD} supply current	I_{DD}				30	mA
V_{PP} supply current	I_{PP}	$MD0 = V_{IL}$, $MD1 = V_{IH}$			30	mA

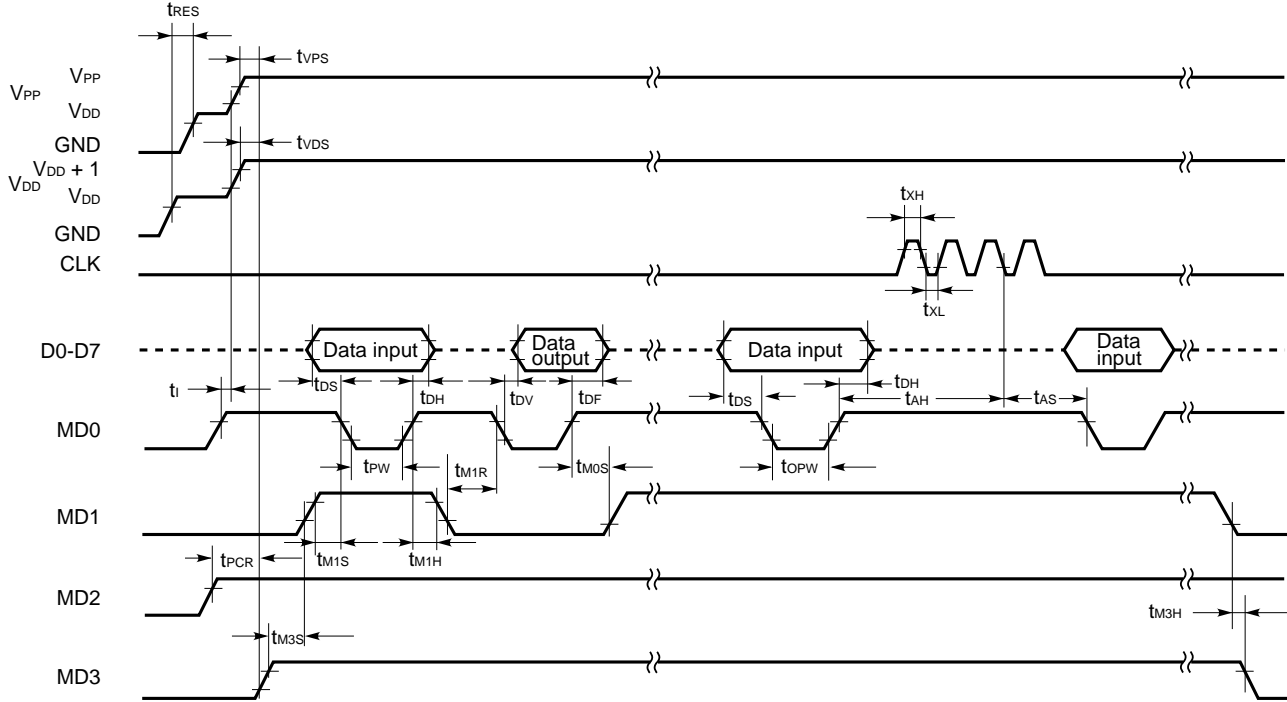
- Cautions 1. V_{PP} must be under +13.5 V including overshoot.**
2. V_{DD} must be applied before V_{PP} on and must be off after V_{PP} off.

AC PROGRAMMING CHARACTERISTICS ($T_A = 25 \pm 5 \text{ }^\circ\text{C}$, $V_{DD} = 6.0 \pm 0.25 \text{ V}$, $V_{PP} = 12.5 \pm 0.3 \text{ V}$)

Parameter	Symbol	Note 1	Condition	Min.	Typ.	Max.	Unit
Address setup time ^{Note 2} (referred to MD0↓)	t_{AS}	t_{AS}		2			μs
MD1 setup time (referred to MD0↓)	t_{M1S}	t_{OES}		2			μs
Data setup time (referred to MD0↓)	t_{DS}	t_{DS}		2			μs
Address hold time ^{Note 2} (referred to MD0↑)	t_{AH}	t_{AH}		2			μs
Data hold time (referred to MD0↑)	t_{DH}	t_{DH}		2			μs
Data output float delay from MD0↑	t_{DF}	t_{DF}		0		130	ns
V_{PP} setup time (referred to MD3↑)	t_{VPS}	t_{VPS}		2			μs
V_{DD} setup time (referred to MD3↑)	t_{VDS}	t_{VCS}		2			μs
Initial program pulse width	t_{PW}	t_{PW}		0.95	1.0	1.05	ms
Additional program pulse width	t_{OPW}	t_{OPW}		0.95		21.0	ms
MD0 setup time (referred to MD1↑)	t_{M0S}	t_{CES}		2			μs
Data output delay from MD0↓	t_{DV}	t_{DV}	$MD0 = MD1 = V_{IL}$			1	μs
MD1 hold time (referred to MD0↑)	t_{M1H}	t_{OEH}	$t_{M1H} + t_{M1R} \geq 50 \text{ } \mu\text{s}$	2			μs
MD1 recovery time (referred to MD0↓)	t_{M1R}	t_{OR}		2			μs
Program counter reset time	t_{PCR}	-		10			μs
CLK input high, low level range	t_{XH}, t_{XL}	-		0.125			μs
CLK input frequency	f_X	-				4.19	MHz
Initial mode set time	t_i	-		2			μs
MD3 setup time (referred to MD1↑)	t_{M3S}	-		2			μs
MD3 hold time (referred to MD1↓)	t_{M3H}	-		2			μs
MD3 setup time (referred to MD0↓)	t_{M3SR}	-	When reading program memory	2			μs
Data output delay from address increment ^{Note 2}	t_{DAD}	t_{ACC}				2	μs
Data output hold time from address increment ^{Note 2}	t_{HAD}	t_{OH}			0	130	ns
MD3 hold time (referred to MD0↑)	t_{M3HR}	-			2		μs
Data output float delay from MD3↓	t_{DFR}	-				2	μs
Reset setup time	t_{RES}	-		10			μs

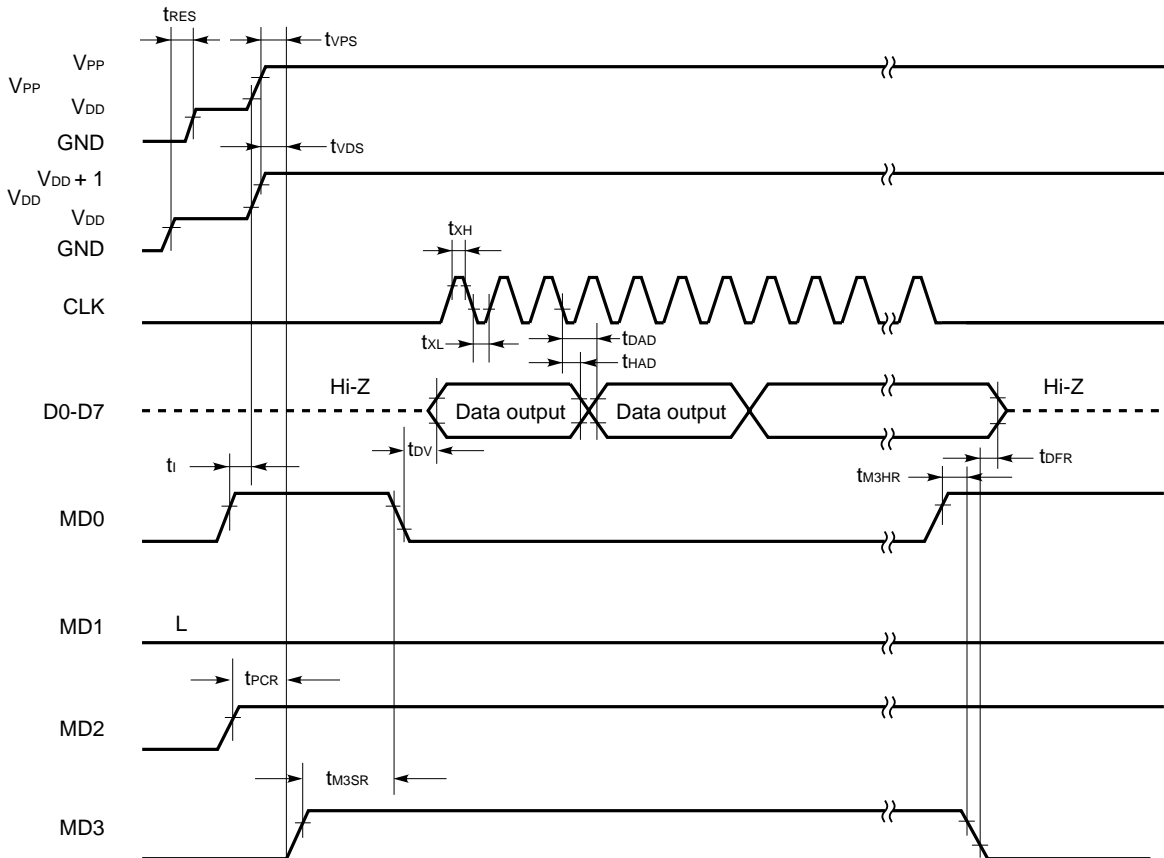
- Notes 1.** Symbols used for the μPD27C256 (The μPD27C256 is used only for maintenance.)
2. The internal address signal is incremented by 1 on the falling edge of the third clock (CLK) pulse, with four CLK pulses treated as one cycle. Internal addresses are not connected to pins.

Write program memory timing



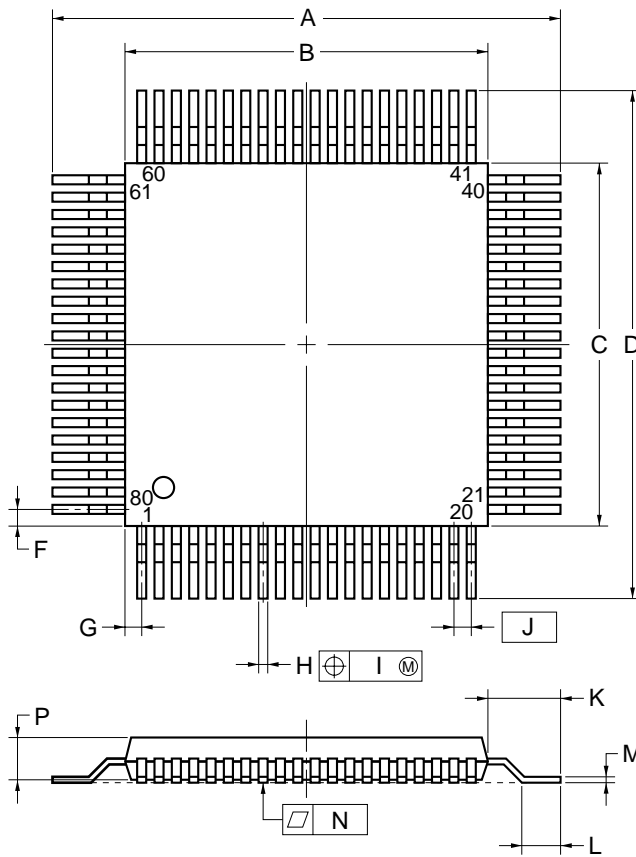
Remark The dashed line indicates high-impedance.

Read program memory timing

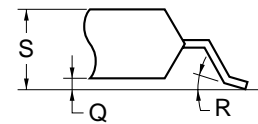


4. PACKAGE DRAWING

80 PIN PLASTIC QFP (14×14)



detail of lead end



NOTE

Each lead centerline is located within 0.13 mm (0.005 inch) of its true position (T.P.) at maximum material condition.

ITEM	MILLIMETERS	INCHES
A	17.2±0.4	0.677±0.016
B	14.0±0.2	0.551 ^{+0.009} _{-0.008}
C	14.0±0.2	0.551 ^{+0.009} _{-0.008}
D	17.2±0.4	0.677±0.016
F	0.825	0.032
G	0.825	0.032
H	0.30±0.10	0.012 ^{+0.004} _{-0.005}
I	0.13	0.005
J	0.65 (T.P.)	0.026 (T.P.)
K	1.6±0.2	0.063±0.008
L	0.8±0.2	0.031 ^{+0.009} _{-0.008}
M	0.15 ^{+0.10} _{-0.05}	0.006 ^{+0.004} _{-0.003}
N	0.10	0.004
P	2.7	0.106
Q	0.1±0.1	0.004±0.004
R	5°±5°	5°±5°
S	3.0 MAX.	0.119 MAX.

S80GC-65-3B9-4

5. RECOMMENDED SOLDERING CONDITIONS

The conditions listed below shall be met when soldering the μPD17P719.

For details of the recommended soldering conditions, refer to our document *SMD Surface Mount Technology Manual* (C10535E).

Please consult with our sales offices in case any other soldering process is used, or in case soldering is done under different conditions.

Table 5-1 Soldering Conditions for Surface-Mount Devices

μPD17P719GC-3B9: 80-pin plastic QFP (14 × 14 mm, 0.65-mm pitch)

Soldering process	Soldering conditions	Recommended conditions
Infrared ray reflow	Peak package's surface temperature: 235 °C Reflow time: 30 seconds or less (at 210 °C or more) Maximum allowable number of reflow processes: 3	IR35-00-3
VPS	Peak package's surface temperature: 215 °C Reflow time: 40 seconds or less (at 200 °C or more) Maximum allowable number of reflow processes: 3	VP15-00-3
Wave soldering	Solder temperature: 260 °C or less Flow time: 10 seconds or less Number of flow processes: 1 Preheating temperature: 120 °C max. (measured on the package surface)	WS60-00-1
Partial heating method	Terminal temperature: 300 °C or less Heat time: 3 seconds or less (for one side of a device)	-

Caution Do not apply more than a single process at once, except for “Partial heating method.”

APPENDIX DEVELOPMENT TOOLS

The following support tools are available for developing programs for the μPD17P719.

Hardware

Name	Description
In-circuit emulator [IE-17K IE-17K-ET ^{Note 1} EMU-17K ^{Note 2}]	The IE-17K, IE-17K-ET, and EMU-17K are in-circuit emulators applicable to the 17K series. The IE-17K and IE-17K-ET are connected to the host machine (PC-9800 series or IBM PC/AT™) through the RS-232C interface. The EMU-17K is inserted into the extension slot of the host machine (PC-9800 series). Use the system evaluation board (SE board) corresponding to each product together with one of these in-circuit emulators. <i>SIMPLEHOST™</i> , a man machine interface, implements an advanced debug environment. The EMU-17K also enables user to check the contents of the data memory in real time.
SE board (SE-17709)	The SE-17709 is an SE board for the μPD17719 sub-series. It is used alone for evaluating the system. It is also used for debugging, in combination with an in-circuit emulator.
Emulation probe (EP-17K80GC)	The EP-17K80GC is an emulation probe for the μPD17P719GC. When used with the EV-9200GC-80 ^{Note 3} , this emulation probe connects the SE board to the target system.
Conversion socket (EV-9200GC-80 ^{Note 3})	The EV-9200GC-80 is a conversion socket for the 80-pin plastic QFP (14 × 14 mm). It is used to connect the EP-17K80GC to the target system.
PROM Programmer (PG-1500)	The PG-1500 is a PROM programmer for the μPD17P719. Use this PROM programmer with the PA-17KDZ (adapter for the PG-1500) and PA-17P709GC programmer adapter, to program the μPD17P719.
Programmer adapter (PA-17P709GC)	The PA-17P709GC is a socket unit for the μPD17P719. It is used with the PG-1500.

- Notes**
1. Low-end model, operating on an external power supply
 2. The EMU-17K is a product of Naito Densai Machida Seisakusho Co., Ltd.. Contact Naito Densai Machida Seisakusho Co., Ltd. (Kawasaki, 044-822-3813) for details.
 3. The EP-17K80GC is supplied together with one EV-9200GC-80. A set of five EV-9200GC-80s is also available.

Remark Third-party PROM programmers are also available: For example, AF-9703, AF-9704, AF-9705, and AF-9706 (manufactured by Ando Electric Co., Ltd.). These PROM programmers can be used with the PA-17P709GC programmer adapter. For details, contact Ando Electric Co., Ltd. (Tokyo, 03-3733-1151).

Software

Name	Description	Host machine	OS		Distribution media	Part number
17K series assembler (AS17K)	AS17K is an assembler applicable to the 17K series. In developing μPD17P719 programs, AS17K is used in combination with a device file (AS17707).	PC-9800 series	MS-DOSTM		5.25-inch, 2HD	μS5A10AS17K
					3.5-inch, 2HD	μS5A13AS17K
		IBM PC/AT	PC DOSTM		5.25-inch, 2HC	μS7B10AS17K
					3.5-inch, 2HC	μS7B13AS17K
Device file (AS17707)	AS17707 has a device file for the μPD17P719 . It is used together with the assembler (AS17K), which is applicable to the 17K series.	PC-9800 series	MS-DOS		5.25-inch, 2HD	μS5A10AS17707
					3.5-inch, 2HD	μS5A13AS17707
		IBM PC/AT	PC DOS		5.25-inch, 2HC	μS7B10AS17707
					3.5-inch, 2HC	μS7B13AS17707
Support software (SIMPLEHOST)	SIMPLEHOST, running under WindowsTM, provides a man machine interface in developing programs by using a personal computer and in-circuit emulator.	PC-9800 series	MS-DOS	Windows	5.25-inch, 2HD	μS5A10IE17K
					3.5-inch, 2HD	μS5A13IE17K
		IBM PC/AT	PC DOS		5.25-inch, 2HC	μS7B10IE17K
					3.5-inch, 2HC	μS7B13IE17K

Remark The following table lists the versions of the operating systems described in the above table.

OS	Versions
MS-DOS	Ver. 3.30 to Ver.5.00A ^{Note}
PC DOS	Ver. 3.1 to Ver. 5.0 ^{Note}
Windows	Ver. 3.0 to Ver. 3.1

Note MS-DOS versions 5.00 and 5.00A and PC DOS Ver. 5.0 are provided with a task swap function. This function, however, cannot be used in these software packages.

[MEMO]

[MEMO]

NOTES FOR CMOS DEVICES

① PRECAUTION AGAINST ESD FOR SEMICONDUCTORS

Note: Strong electric field, when exposed to a MOS device, can cause destruction of the gate oxide and ultimately degrade the device operation. Steps must be taken to stop generation of static electricity as much as possible, and quickly dissipate it once, when it has occurred. Environmental control must be adequate. When it is dry, humidifier should be used. It is recommended to avoid using insulators that easily build static electricity. Semiconductor devices must be stored and transported in an anti-static container, static shielding bag or conductive material. All test and measurement tools including work bench and floor should be grounded. The operator should be grounded using wrist strap. Semiconductor devices must not be touched with bare hands. Similar precautions need to be taken for PW boards with semiconductor devices on it.

② HANDLING OF UNUSED INPUT PINS FOR CMOS

Note: No connection for CMOS device inputs can be cause of malfunction. If no connection is provided to the input pins, it is possible that an internal input level may be generated due to noise, etc., hence causing malfunction. CMOS device behave differently than Bipolar or NMOS devices. Input levels of CMOS devices must be fixed high or low by using a pull-up or pull-down circuitry. Each unused pin should be connected to V_{DD} or GND with a resistor, if it is considered to have a possibility of being an output pin. All handling related to the unused pins must be judged device by device and related specifications governing the devices.

③ STATUS BEFORE INITIALIZATION OF MOS DEVICES

Note: Power-on does not necessarily define initial status of MOS device. Production process of MOS does not define the initial operation status of the device. Immediately after the power source is turned ON, the devices with reset function have not yet been initialized. Hence, power-on does not guarantee out-pin levels, I/O settings or contents of registers. Device is not initialized until the reset signal is received. Reset operation must be executed immediately after power-on for devices having reset function.

[MEMO]

Caution This product contains an I²C bus interface circuit.
When using the I²C bus interface, notify its use to NEC when ordering custom code. NEC can guarantee the following only when the customer informs NEC of the use of the interface:
Purchase of NEC I²C components conveys a license under the Philips I²C Patent Rights to use these components in an I²C system, provided that the system conforms to the I²C Standard Specification as defined by Philips.

Regional Information

Some information contained in this document may vary from country to country. Before using any NEC product in your application, please contact the NEC office in your country to obtain a list of authorized representatives and distributors. They will verify:

- Device availability
- Ordering information
- Product release schedule
- Availability of related technical literature
- Development environment specifications (for example, specifications for third-party tools and components, host computers, power plugs, AC supply voltages, and so forth)
- Network requirements

In addition, trademarks, registered trademarks, export restrictions, and other legal issues may also vary from country to country.

NEC Electronics Inc. (U.S.)

Santa Clara, California
Tel: 800-366-9782
Fax: 800-729-9288

NEC Electronics (Germany) GmbH

Duesseldorf, Germany
Tel: 0211-65 03 02
Fax: 0211-65 03 490

NEC Electronics (UK) Ltd.

Milton Keynes, UK
Tel: 01908-691-133
Fax: 01908-670-290

NEC Electronics Italiana s.r.l.

Milano, Italy
Tel: 02-66 75 41
Fax: 02-66 75 42 99

NEC Electronics (Germany) GmbH

Benelux Office
Eindhoven, The Netherlands
Tel: 040-2445845
Fax: 040-2444580

NEC Electronics (France) S.A.

Velizy-Villacoublay, France
Tel: 01-30-67 58 00
Fax: 01-30-67 58 99

NEC Electronics (France) S.A.

Spain Office
Madrid, Spain
Tel: 01-504-2787
Fax: 01-504-2860

NEC Electronics (Germany) GmbH

Scandinavia Office
Taebly, Sweden
Tel: 08-63 80 820
Fax: 08-63 80 388

NEC Electronics Hong Kong Ltd.

Hong Kong
Tel: 2886-9318
Fax: 2886-9022/9044

NEC Electronics Hong Kong Ltd.

Seoul Branch
Seoul, Korea
Tel: 02-528-0303
Fax: 02-528-4411

NEC Electronics Singapore Pte. Ltd.

United Square, Singapore 1130
Tel: 253-8311
Fax: 250-3583

NEC Electronics Taiwan Ltd.

Taipei, Taiwan
Tel: 02-719-2377
Fax: 02-719-5951

NEC do Brasil S.A.

Sao Paulo-SP, Brasil
Tel: 011-889-1680
Fax: 011-889-1689

SIMPLEHOST is a trademark of NEC Corporation.

MS-DOS and Windows are trademarks of Microsoft Corporation.

PC/AT and PC DOS are trademarks of IBM Corporation.

The export of this product from Japan is regulated by the Japanese government. To export this product may be prohibited without governmental license, the need for which must be judged by the customer. The export or re-export of this product from a country other than Japan may also be prohibited without a license from that country. Please call an NEC sales representative.

No part of this document may be copied or reproduced in any form or by any means without the prior written consent of NEC Corporation. NEC Corporation assumes no responsibility for any errors which may appear in this document.

NEC Corporation does not assume any liability for infringement of patents, copyrights or other intellectual property rights of third parties by or arising from use of a device described herein or any other liability arising from use of such device. No license, either express, implied or otherwise, is granted under any patents, copyrights or other intellectual property rights of NEC Corporation or others.

While NEC Corporation has been making continuous effort to enhance the reliability of its semiconductor devices, the possibility of defects cannot be eliminated entirely. To minimize risks of damage or injury to persons or property arising from a defect in an NEC semiconductor device, customers must incorporate sufficient safety measures in its design, such as redundancy, fire-containment, and anti-failure features.

NEC devices are classified into the following three quality grades:

"Standard", "Special", and "Specific". The Specific quality grade applies only to devices developed based on a customer designated "quality assurance program" for a specific application. The recommended applications of a device depend on its quality grade, as indicated below. Customers must check the quality grade of each device before using it in a particular application.

Standard: Computers, office equipment, communications equipment, test and measurement equipment, audio and visual equipment, home electronic appliances, machine tools, personal electronic equipment and industrial robots

Special: Transportation equipment (automobiles, trains, ships, etc.), traffic control systems, anti-disaster systems, anti-crime systems, safety equipment and medical equipment (not specifically designed for life support)

Specific: Aircrafts, aerospace equipment, submersible repeaters, nuclear reactor control systems, life support systems or medical equipment for life support, etc.

The quality grade of NEC devices is "Standard" unless otherwise specified in NEC's Data Sheets or Data Books. If customers intend to use NEC devices for applications other than those specified for Standard quality grade, they should contact an NEC sales representative in advance.

Anti-radioactive design is not implemented in this product.