

To our customers,

Old Company Name in Catalogs and Other Documents

On April 1st, 2010, NEC Electronics Corporation merged with Renesas Technology Corporation, and Renesas Electronics Corporation took over all the business of both companies. Therefore, although the old company name remains in this document, it is a valid Renesas Electronics document. We appreciate your understanding.

Renesas Electronics website: <http://www.renesas.com>

April 1st, 2010
Renesas Electronics Corporation

Issued by: Renesas Electronics Corporation (<http://www.renesas.com>)

Send any inquiries to <http://www.renesas.com/inquiry>.

Notice

1. All information included in this document is current as of the date this document is issued. Such information, however, is subject to change without any prior notice. Before purchasing or using any Renesas Electronics products listed herein, please confirm the latest product information with a Renesas Electronics sales office. Also, please pay regular and careful attention to additional and different information to be disclosed by Renesas Electronics such as that disclosed through our website.
2. Renesas Electronics does not assume any liability for infringement of patents, copyrights, or other intellectual property rights of third parties by or arising from the use of Renesas Electronics products or technical information described in this document. No license, express, implied or otherwise, is granted hereby under any patents, copyrights or other intellectual property rights of Renesas Electronics or others.
3. You should not alter, modify, copy, or otherwise misappropriate any Renesas Electronics product, whether in whole or in part.
4. Descriptions of circuits, software and other related information in this document are provided only to illustrate the operation of semiconductor products and application examples. You are fully responsible for the incorporation of these circuits, software, and information in the design of your equipment. Renesas Electronics assumes no responsibility for any losses incurred by you or third parties arising from the use of these circuits, software, or information.
5. When exporting the products or technology described in this document, you should comply with the applicable export control laws and regulations and follow the procedures required by such laws and regulations. You should not use Renesas Electronics products or the technology described in this document for any purpose relating to military applications or use by the military, including but not limited to the development of weapons of mass destruction. Renesas Electronics products and technology may not be used for or incorporated into any products or systems whose manufacture, use, or sale is prohibited under any applicable domestic or foreign laws or regulations.
6. Renesas Electronics has used reasonable care in preparing the information included in this document, but Renesas Electronics does not warrant that such information is error free. Renesas Electronics assumes no liability whatsoever for any damages incurred by you resulting from errors in or omissions from the information included herein.
7. Renesas Electronics products are classified according to the following three quality grades: “Standard”, “High Quality”, and “Specific”. The recommended applications for each Renesas Electronics product depends on the product’s quality grade, as indicated below. You must check the quality grade of each Renesas Electronics product before using it in a particular application. You may not use any Renesas Electronics product for any application categorized as “Specific” without the prior written consent of Renesas Electronics. Further, you may not use any Renesas Electronics product for any application for which it is not intended without the prior written consent of Renesas Electronics. Renesas Electronics shall not be in any way liable for any damages or losses incurred by you or third parties arising from the use of any Renesas Electronics product for an application categorized as “Specific” or for which the product is not intended where you have failed to obtain the prior written consent of Renesas Electronics. The quality grade of each Renesas Electronics product is “Standard” unless otherwise expressly specified in a Renesas Electronics data sheets or data books, etc.
 - “Standard”: Computers; office equipment; communications equipment; test and measurement equipment; audio and visual equipment; home electronic appliances; machine tools; personal electronic equipment; and industrial robots.
 - “High Quality”: Transportation equipment (automobiles, trains, ships, etc.); traffic control systems; anti-disaster systems; anti-crime systems; safety equipment; and medical equipment not specifically designed for life support.
 - “Specific”: Aircraft; aerospace equipment; submersible repeaters; nuclear reactor control systems; medical equipment or systems for life support (e.g. artificial life support devices or systems), surgical implantations, or healthcare intervention (e.g. excision, etc.), and any other applications or purposes that pose a direct threat to human life.
8. You should use the Renesas Electronics products described in this document within the range specified by Renesas Electronics, especially with respect to the maximum rating, operating supply voltage range, movement power voltage range, heat radiation characteristics, installation and other product characteristics. Renesas Electronics shall have no liability for malfunctions or damages arising out of the use of Renesas Electronics products beyond such specified ranges.
9. Although Renesas Electronics endeavors to improve the quality and reliability of its products, semiconductor products have specific characteristics such as the occurrence of failure at a certain rate and malfunctions under certain use conditions. Further, Renesas Electronics products are not subject to radiation resistance design. Please be sure to implement safety measures to guard them against the possibility of physical injury, and injury or damage caused by fire in the event of the failure of a Renesas Electronics product, such as safety design for hardware and software including but not limited to redundancy, fire control and malfunction prevention, appropriate treatment for aging degradation or any other appropriate measures. Because the evaluation of microcomputer software alone is very difficult, please evaluate the safety of the final products or system manufactured by you.
10. Please contact a Renesas Electronics sales office for details as to environmental matters such as the environmental compatibility of each Renesas Electronics product. Please use Renesas Electronics products in compliance with all applicable laws and regulations that regulate the inclusion or use of controlled substances, including without limitation, the EU RoHS Directive. Renesas Electronics assumes no liability for damages or losses occurring as a result of your noncompliance with applicable laws and regulations.
11. This document may not be reproduced or duplicated, in any form, in whole or in part, without prior written consent of Renesas Electronics.
12. Please contact a Renesas Electronics sales office if you have any questions regarding the information contained in this document or Renesas Electronics products, or if you have any other inquiries.

(Note 1) “Renesas Electronics” as used in this document means Renesas Electronics Corporation and also includes its majority-owned subsidiaries.

(Note 2) “Renesas Electronics product(s)” means any product developed or manufactured by or for Renesas Electronics.

MONOLITHIC DUAL H BRIDGE DRIVER CIRCUIT

DESCRIPTION

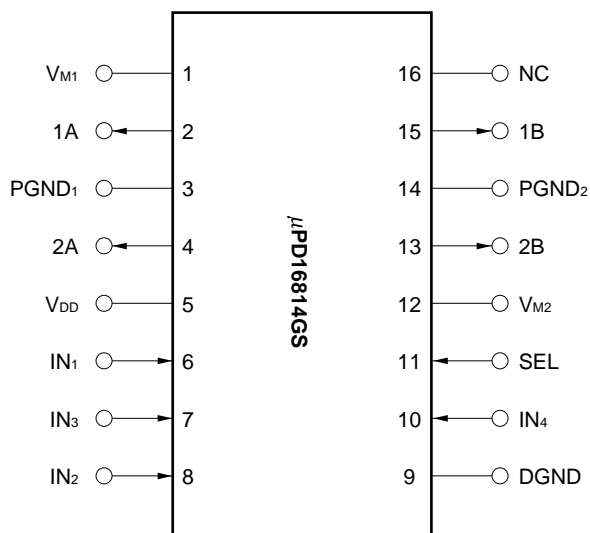
The μ PD16814GS is a monolithic dual H bridge driver circuit employing a power MOS FET for its driver stage. By complementing the P channel and N channel of the output stage, the circuit current is substantially improved as compared with that of the conventional charge pump driver.

Because the dual H bridge driver circuits at the output stage are independent of each other, this IC is ideal as the driver circuit for a 1- to 2-phase excitation bipolar driving stepping motor for the head actuator of an FDD.

FEATURES

- Low ON resistance (sum of ON resistance of top and bottom FETs)
 $R_{ON1} = 2.0 \Omega$ TYP.
- Low current consumption: $I_{DD} = 100 \mu A$ MAX.
- Four input modes independently controlling dual H bridge drivers
- Stop and Brake modes selectable
- Surface-mount mini-mold package: 16-pin plastic SOP (300 mil)

PIN CONFIGURATION (Top View)

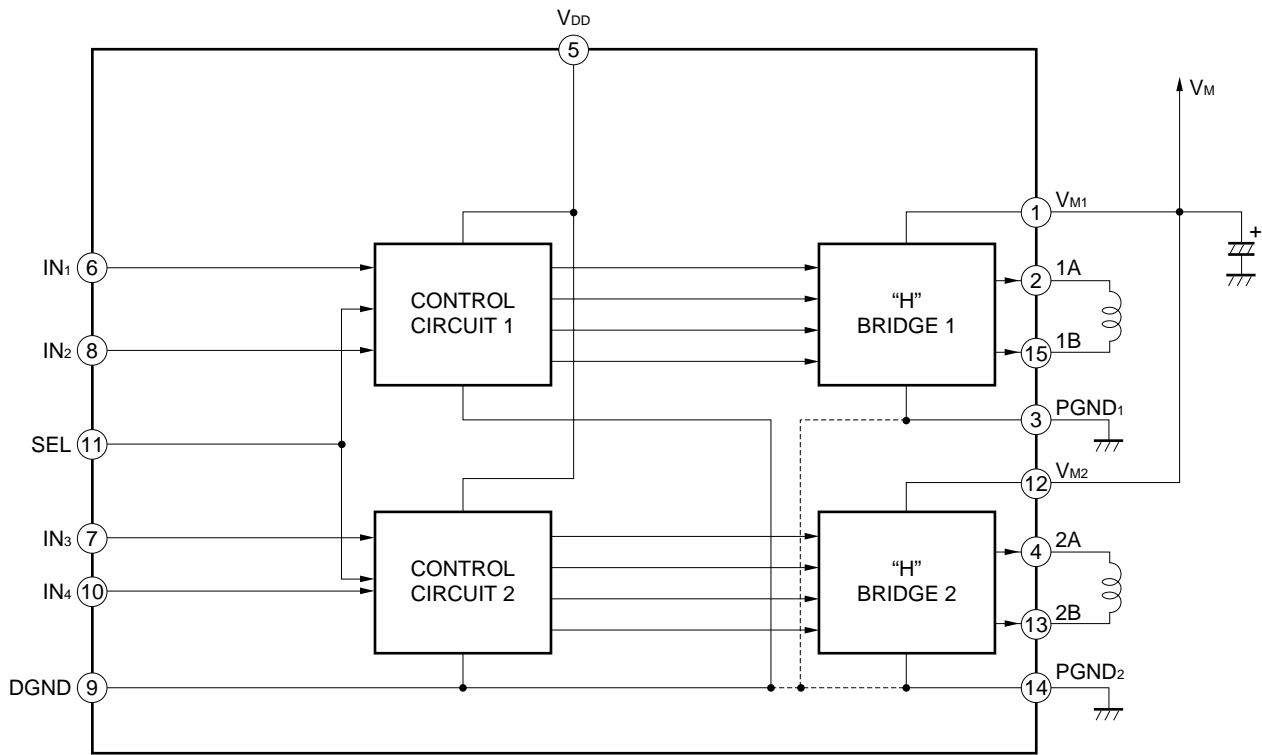


ORDERING INFORMATION

Part Number	Package
μ PD16814GS	16-pin plastic SOP (300 mil)

The information in this document is subject to change without notice.

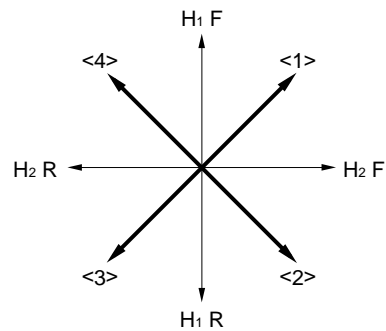
BLOCK DIAGRAM



FUNCTION TABLE

• In Stop mode (SEL = High)

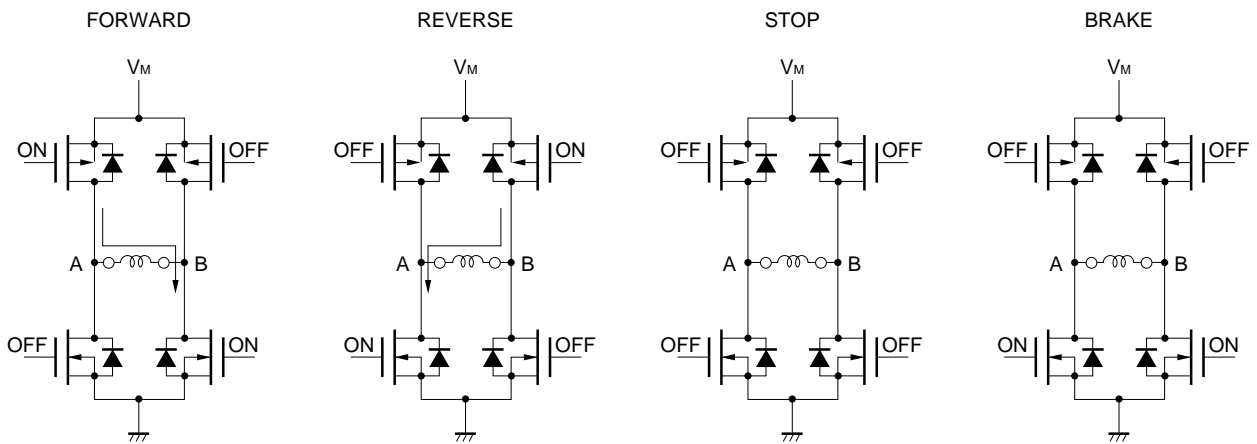
Excitation Direction	IN ₁	IN ₂	IN ₃	IN ₄	H ₁	H ₂
—	L	L	L	L	S	S
H ₂ R	L	L	L	H	S	R
H ₂ F	L	L	H	L	S	F
—	L	L	H	H	S	S
H ₁ R	L	H	L	L	R	S
<3>	L	H	L	H	R	R
<2>	L	H	H	L	R	F
H ₁ R	L	H	H	H	R	S
H ₁ F	H	L	L	L	F	S
<4>	H	L	L	H	F	R
<1>	H	L	H	L	F	F
H ₁ F	H	L	H	H	F	S
—	H	H	L	L	S	S
H ₂ R	H	H	L	H	S	R
H ₂ F	H	H	H	L	S	F
—	H	H	H	H	S	S



• In Brake mode (SEL = Low)

Excitation Direction	IN ₁	IN ₂	IN ₃	IN ₄	H ₁	H ₂
—	L	L	L	L	B	B
H ₂ R	L	L	L	H	B	R
H ₂ F	L	L	H	L	B	F
—	L	L	H	H	B	B
H ₁ R	L	H	L	L	R	B
<3>	L	H	L	H	R	R
<2>	L	H	H	L	R	F
H ₁ R	L	H	H	H	R	B
H ₁ F	H	L	L	L	F	B
<4>	H	L	L	H	F	R
<1>	H	L	H	L	F	F
H ₁ F	H	L	H	H	F	B
—	H	H	L	L	B	B
H ₂ R	H	H	L	H	B	R
H ₂ F	H	H	H	L	B	F
—	H	H	H	H	B	B

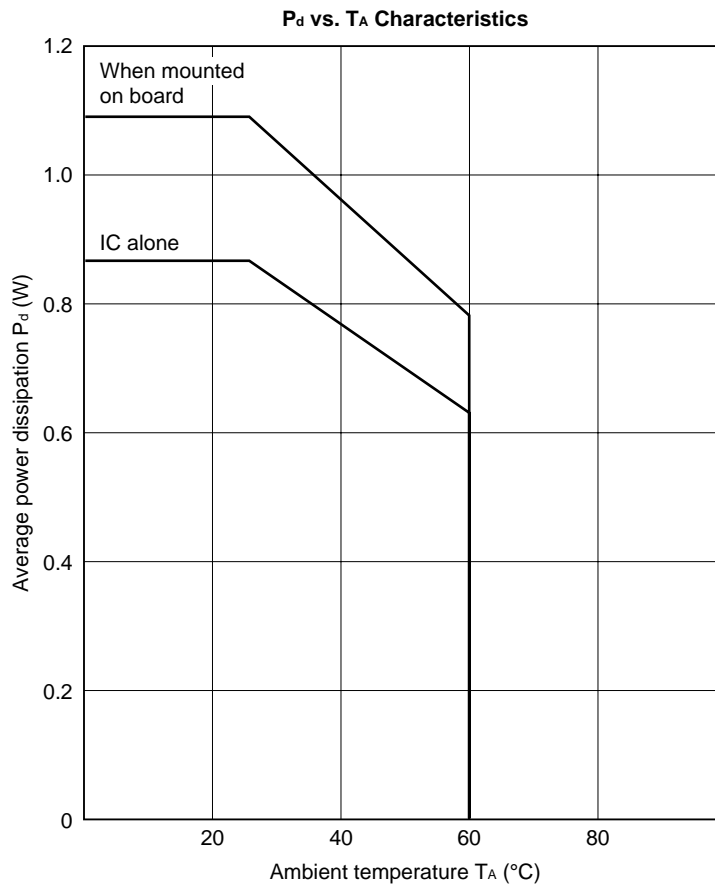
F: Forward R: Reverse S: Stop B: Brake



ABSOLUTE MAXIMUM RATINGS (T_A = 25 °C)

Parameter	Symbol	Ratings	Unit
Supply voltage (motor block)	V _M	-0.5 to +7	V
Supply voltage (control block)	V _{DD}	-0.5 to +7	V
Power dissipation	P _{d1}	0.862 ^{Note 1}	W
	P _{d2}	1.087 ^{Note 2}	
Instantaneous H bridge driver current	I _{D (pulse)}	±1.0 ^{Note 2,3}	A
Input voltage	V _{IN}	-0.5 to V _{DD} + 0.5	V
Operating temperature	T _A	0 to 60	°C
Junction temperature	T _{J MAX.}	150	°C
Storage temperature	T _{stg}	-55 to +125	°C

- Notes 1.** IC alone.
2. When mounted on board (100 × 100 × 1 mm, glass epoxy)
3. t ≤ 5 ms, Duty ≤ 40%



RECOMMENDED OPERATING CONDITIONS (T_A = 25 °C)

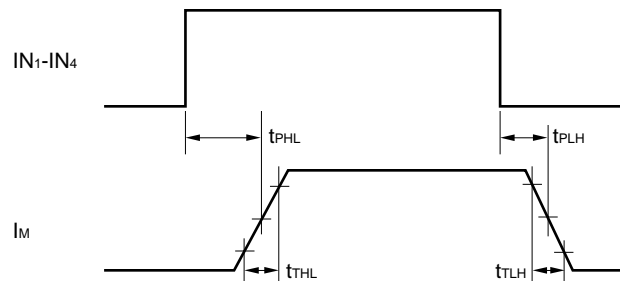
Parameter	Symbol	MIN.	TYP.	MAX.	Unit
Supply voltage (motor block)	V _M	4.0	5.0	6.0	V
Supply voltage (control block)	V _{DD}	4.0	5.0	6.0	V
H bridge drive current ^{Note}	I _{DR}			±415	mA
Operating temperature	T _A	0		60	°C

Note When mounted on board (100 × 100 × 1 mm, glass epoxy)

ELECTRICAL CHARACTERISTICS (Within recommended operating conditions unless otherwise specified)

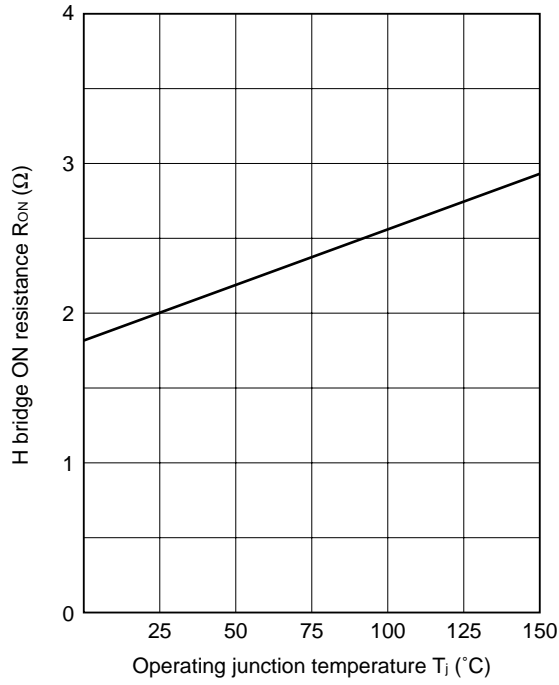
Parameter	Symbol	Condition	MIN.	TYP.	MAX.	Unit
V _M pin current with output transistor OFF	I _M	V _M = 6.0 V, V _{DD} = 6.0 V			1.0	μA
V _{DD} pin current	I _{DD}				0.1	mA
Control pin high-level input current	I _{IH}	V _{IN} = V _{DD}			1.0	μA
Control pin low-level input current	I _{IL}	V _{IN} = 0 V			-1.0	μA
Control pin high-level input voltage	V _{IH}		3.0		V _{DD} + 0.3	V
Control pin low-level input voltage	V _{IL}		-0.3		0.8	V
H bridge circuit ON resistance ^{Note 1}	R _{ON1}	V _M = 5 V, V _{DD} = 5 V		2.0	4.0	Ω
R _{ON} relative accuracy	ΔR _{ON}	Excitation direction <2>, <4> ^{Note 2}			±5	%
	ΔR _{ON}	Excitation direction <1>, <3>			±10	
H bridge output circuit propagation delay time	t _{PHL}	V _M = 5 V, V _{DD} = 5 V ^{Note 3} T _A = 25 °C, R _M = 20 Ω		1.8	2.5	μs
H bridge output circuit propagation delay time	t _{PLH}			0.2	0.65	
H bridge output circuit rise time	t _{THL}	V _M = 5 V, V _{DD} = 5 V ^{Note 3} T _A = 25 °C, R _M = 20 Ω		0.2	0.4	μs
H bridge output circuit fall time	t _{TLH}			0.1	0.2	

- Notes**
- Sum of ON resistance of top and bottom transistors
 - For the excitation direction, refer to **FUNCTION TABLE**.
 -

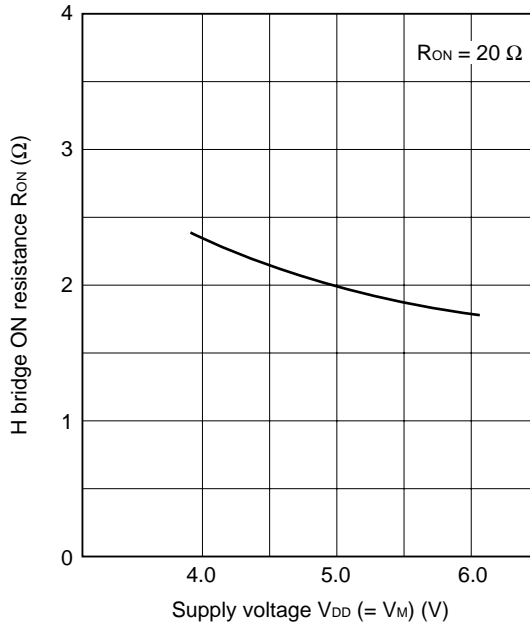


TYPICAL CHARACTERISTICS

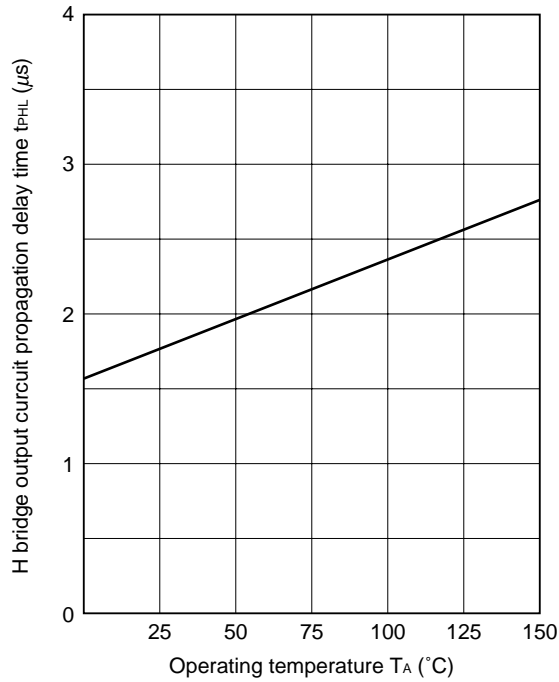
R_{ON} vs. T_j Characteristics



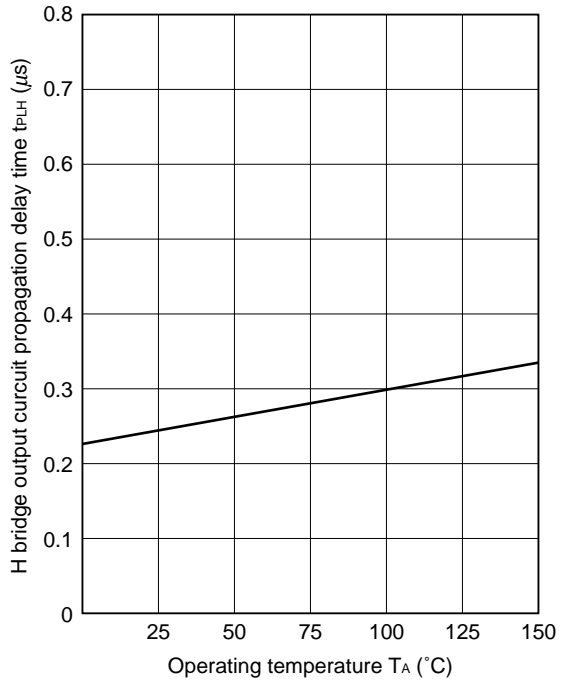
R_{ON} vs. V_{DD} ($= V_M$) Characteristics



t_{PHL} vs. T_A Characteristics

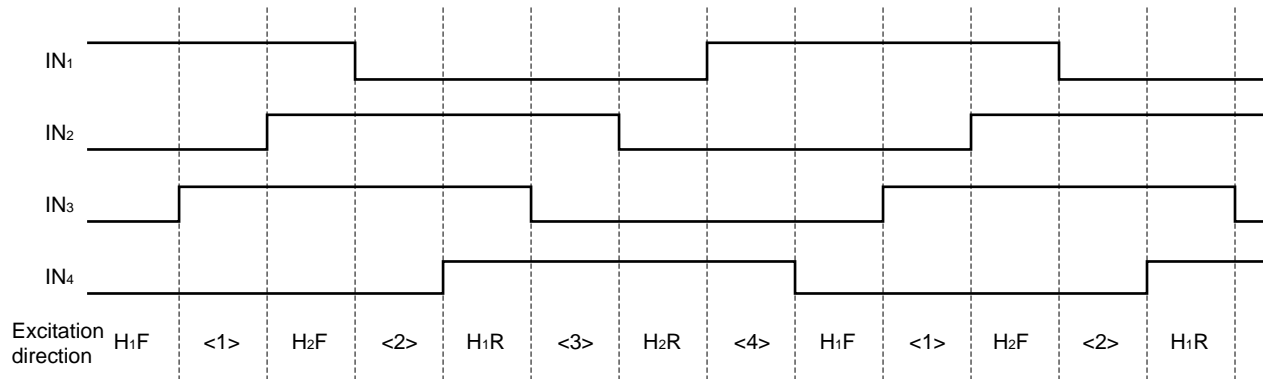


t_{PLH} vs. T_A Characteristics

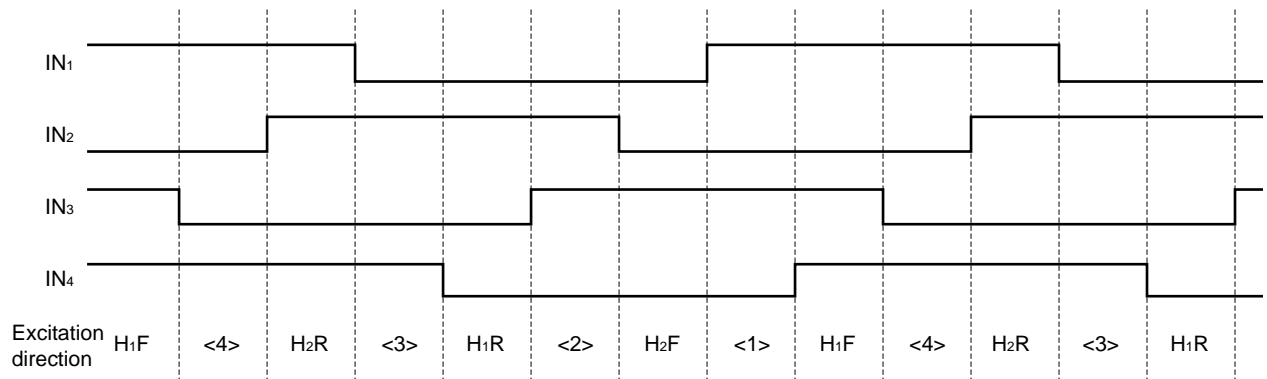


STEPPING MOTOR EXCITATION TIMING CHART

Inner circumference seek



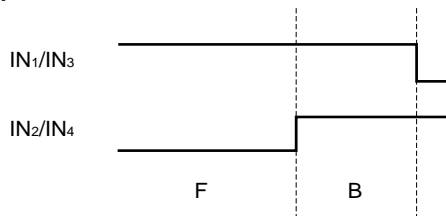
Outer circumference seek



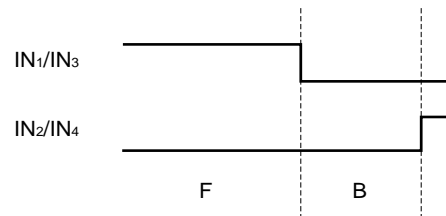
• Input signal wave when SEL = LOW (Brake mode)

To set the H bridge in the Brake mode (refer to **FUNCTION TABLE**), use input signals that set the Brake mode from IN2 (IN4).

Example 1 From Forward to Brake

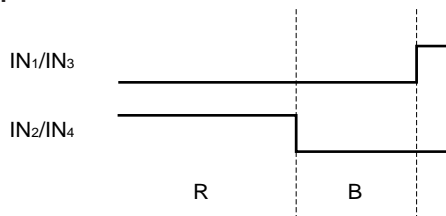


Correct

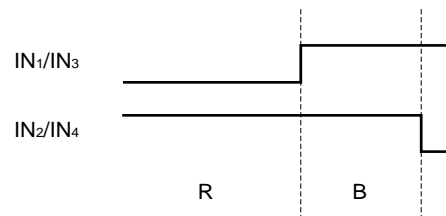


Incorrect

Example 2 From Reverse to Brake



Correct



Incorrect

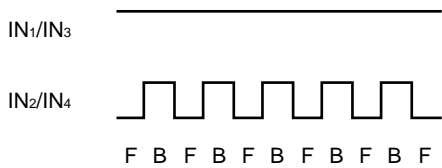
Remark This is because noise may be output due to the configuration of the internal circuit.

NOTES ON PWM DRIVING CONTROL

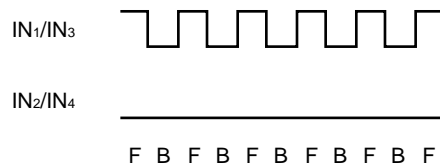
Keep in mind the following points when executing PWM.

- Be sure to input the signals to control PWM driving from IN₂ and IN₄.
- Because the logic of the PWM driving control inputs (IN₂ and IN₄) to create the Brake status is inverted depending on whether the Forward or Reverse mode is used, care must be exercised when PWM driving is controlled at a duty factor other than 50%.

Example 1 PWM driving in Forward mode

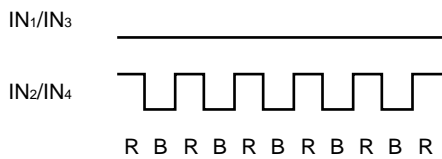


Correct

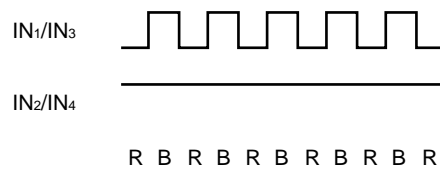


Incorrect

Example 2 PWM driving in Reverse mode



Correct

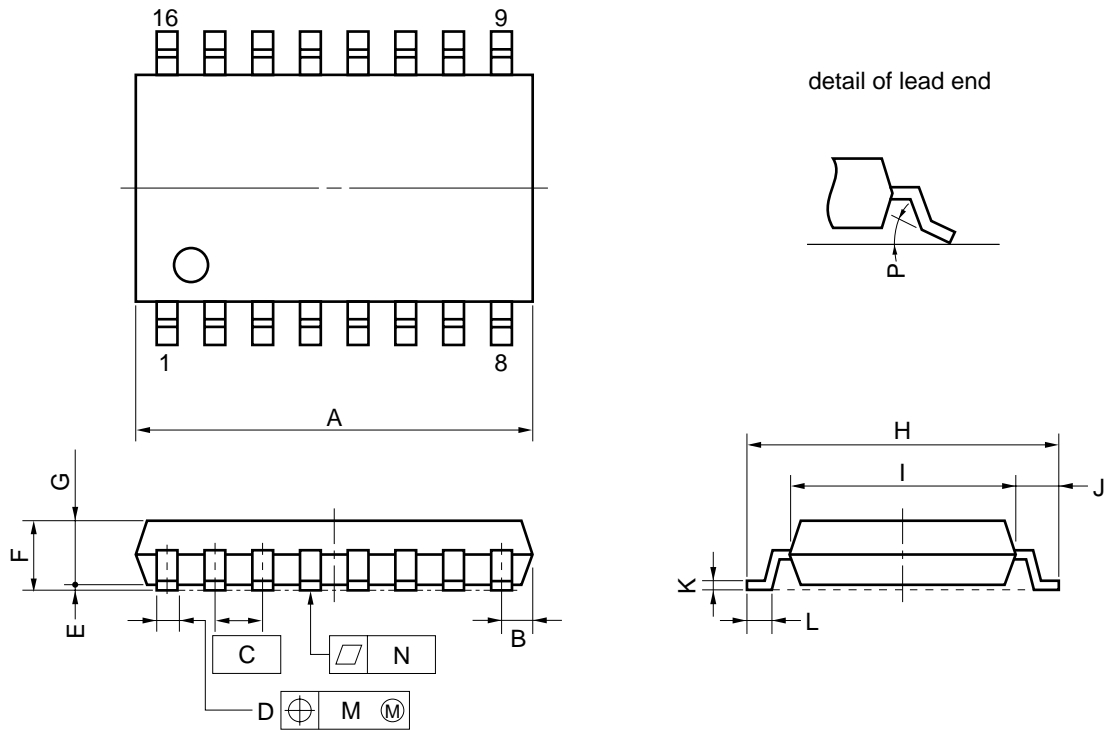


Incorrect

Remark This is because noise may be output due to the configuration of the internal circuit.

PACKAGE DIMENSION

16 PIN PLASTIC SOP (300 mil)



NOTE

Each lead centerline is located within 0.12 mm (0.005 inch) of its true position (T.P.) at maximum material condition.

ITEM	MILLIMETERS	INCHES
A	10.46 MAX.	0.412 MAX.
B	0.78 MAX.	0.031 MAX.
C	1.27 (T.P.)	0.050 (T.P.)
D	0.40 ^{+0.10} _{-0.05}	0.016 ^{+0.004} _{-0.003}
E	0.1±0.1	0.004±0.004
F	1.8 MAX.	0.071 MAX.
G	1.55	0.061
H	7.7±0.3	0.303±0.012
I	5.6	0.220
J	1.1	0.043
K	0.20 ^{+0.10} _{-0.05}	0.008 ^{+0.004} _{-0.002}
L	0.6±0.2	0.024 ^{+0.008} _{-0.009}
M	0.12	0.005
N	0.10	0.004
P	3° ^{+7°} _{-3°}	3° ^{+7°} _{-3°}

P16GM-50-300B-4

RECOMMENDED SOLDERING CONDITIONS

It is recommended to solder this product under the conditions shown below.

For soldering methods and conditions other than those listed below, consult NEC.

For details of the recommended soldering conditions, refer to Information Document “**Semiconductor Device Mounting Technology Manual**” (C10535E).

Surface Mount Type

Soldering Method	Soldering Condition	Symbol of Recommended Soldering
Infrared reflow	Package peak temperature: 235 °C, Time: 30 seconds MAX. (210 °C MIN.) Number of times: 2 MAX. <Precautions> (1) Start the second reflow after the device temperature rise due to the first reflow has dropped to room temperature. (2) Do not clean flux with water after the first reflow.	IR35-00-2
VPS	Package peak temperature: 215 °C, Time: 40 seconds MAX. (200 °C MIN.) Number of times: 2 MAX. <Precautions> (1) Start the second reflow after the device temperature rise due to the first reflow has dropped to room temperature. (2) Do not clean flux with water after the first reflow.	VP15-00-2
Wave soldering	Soldering bath temperature: 260 °C MAX., Time: 10 seconds MAX., Number of times: 1 Preheating temperature: 120 °C MAX. (package surface temperature)	WS60-00-1
Partial heating	Pin temperature: 300 °C MAX., Time: 3 seconds MAX. (per side of device)	–

Caution Do not use two or more soldering methods in combination (except partial heating).

NOTES FOR CMOS DEVICES

① PRECAUTION AGAINST ESD FOR SEMICONDUCTORS

Note: Strong electric field, when exposed to a MOS device, can cause destruction of the gate oxide and ultimately degrade the device operation. Steps must be taken to stop generation of static electricity as much as possible, and quickly dissipate it once, when it has occurred. Environmental control must be adequate. When it is dry, humidifier should be used. It is recommended to avoid using insulators that easily build static electricity. Semiconductor devices must be stored and transported in an anti-static container, static shielding bag or conductive material. All test and measurement tools including work bench and floor should be grounded. The operator should be grounded using wrist strap. Semiconductor devices must not be touched with bare hands. Similar precautions need to be taken for PW boards with semiconductor devices on it.

② HANDLING OF UNUSED INPUT PINS FOR CMOS

Note: No connection for CMOS device inputs can be cause of malfunction. If no connection is provided to the input pins, it is possible that an internal input level may be generated due to noise, etc., hence causing malfunction. CMOS device behave differently than Bipolar or NMOS devices. Input levels of CMOS devices must be fixed high or low by using a pull-up or pull-down circuitry. Each unused pin should be connected to V_{DD} or GND with a resistor, if it is considered to have a possibility of being an output pin. All handling related to the unused pins must be judged device by device and related specifications governing the devices.

③ STATUS BEFORE INITIALIZATION OF MOS DEVICES

Note: Power-on does not necessarily define initial status of MOS device. Production process of MOS does not define the initial operation status of the device. Immediately after the power source is turned ON, the devices with reset function have not yet been initialized. Hence, power-on does not guarantee out-pin levels, I/O settings or contents of registers. Device is not initialized until the reset signal is received. Reset operation must be executed immediately after power-on for devices having reset function.

No part of this document may be copied or reproduced in any form or by any means without the prior written consent of NEC Corporation. NEC Corporation assumes no responsibility for any errors which may appear in this document.

NEC Corporation does not assume any liability for infringement of patents, copyrights or other intellectual property rights of third parties by or arising from use of a device described herein or any other liability arising from use of such device. No license, either express, implied or otherwise, is granted under any patents, copyrights or other intellectual property rights of NEC Corporation or others.

While NEC Corporation has been making continuous effort to enhance the reliability of its semiconductor devices, the possibility of defects cannot be eliminated entirely. To minimize risks of damage or injury to persons or property arising from a defect in an NEC semiconductor device, customers must incorporate sufficient safety measures in its design, such as redundancy, fire-containment, and anti-failure features.

NEC devices are classified into the following three quality grades:

"Standard", "Special", and "Specific". The Specific quality grade applies only to devices developed based on a customer designated "quality assurance program" for a specific application. The recommended applications of a device depend on its quality grade, as indicated below. Customers must check the quality grade of each device before using it in a particular application.

Standard: Computers, office equipment, communications equipment, test and measurement equipment, audio and visual equipment, home electronic appliances, machine tools, personal electronic equipment and industrial robots

Special: Transportation equipment (automobiles, trains, ships, etc.), traffic control systems, anti-disaster systems, anti-crime systems, safety equipment and medical equipment (not specifically designed for life support)

Specific: Aircrafts, aerospace equipment, submersible repeaters, nuclear reactor control systems, life support systems or medical equipment for life support, etc.

The quality grade of NEC devices is "Standard" unless otherwise specified in NEC's Data Sheets or Data Books. If customers intend to use NEC devices for applications other than those specified for Standard quality grade, they should contact an NEC sales representative in advance.

Anti-radioactive design is not implemented in this product.