

To our customers,

Old Company Name in Catalogs and Other Documents

On April 1st, 2010, NEC Electronics Corporation merged with Renesas Technology Corporation, and Renesas Electronics Corporation took over all the business of both companies. Therefore, although the old company name remains in this document, it is a valid Renesas Electronics document. We appreciate your understanding.

Renesas Electronics website: <http://www.renesas.com>

April 1st, 2010
Renesas Electronics Corporation

Issued by: Renesas Electronics Corporation (<http://www.renesas.com>)

Send any inquiries to <http://www.renesas.com/inquiry>.

Notice

1. All information included in this document is current as of the date this document is issued. Such information, however, is subject to change without any prior notice. Before purchasing or using any Renesas Electronics products listed herein, please confirm the latest product information with a Renesas Electronics sales office. Also, please pay regular and careful attention to additional and different information to be disclosed by Renesas Electronics such as that disclosed through our website.
2. Renesas Electronics does not assume any liability for infringement of patents, copyrights, or other intellectual property rights of third parties by or arising from the use of Renesas Electronics products or technical information described in this document. No license, express, implied or otherwise, is granted hereby under any patents, copyrights or other intellectual property rights of Renesas Electronics or others.
3. You should not alter, modify, copy, or otherwise misappropriate any Renesas Electronics product, whether in whole or in part.
4. Descriptions of circuits, software and other related information in this document are provided only to illustrate the operation of semiconductor products and application examples. You are fully responsible for the incorporation of these circuits, software, and information in the design of your equipment. Renesas Electronics assumes no responsibility for any losses incurred by you or third parties arising from the use of these circuits, software, or information.
5. When exporting the products or technology described in this document, you should comply with the applicable export control laws and regulations and follow the procedures required by such laws and regulations. You should not use Renesas Electronics products or the technology described in this document for any purpose relating to military applications or use by the military, including but not limited to the development of weapons of mass destruction. Renesas Electronics products and technology may not be used for or incorporated into any products or systems whose manufacture, use, or sale is prohibited under any applicable domestic or foreign laws or regulations.
6. Renesas Electronics has used reasonable care in preparing the information included in this document, but Renesas Electronics does not warrant that such information is error free. Renesas Electronics assumes no liability whatsoever for any damages incurred by you resulting from errors in or omissions from the information included herein.
7. Renesas Electronics products are classified according to the following three quality grades: “Standard”, “High Quality”, and “Specific”. The recommended applications for each Renesas Electronics product depends on the product’s quality grade, as indicated below. You must check the quality grade of each Renesas Electronics product before using it in a particular application. You may not use any Renesas Electronics product for any application categorized as “Specific” without the prior written consent of Renesas Electronics. Further, you may not use any Renesas Electronics product for any application for which it is not intended without the prior written consent of Renesas Electronics. Renesas Electronics shall not be in any way liable for any damages or losses incurred by you or third parties arising from the use of any Renesas Electronics product for an application categorized as “Specific” or for which the product is not intended where you have failed to obtain the prior written consent of Renesas Electronics. The quality grade of each Renesas Electronics product is “Standard” unless otherwise expressly specified in a Renesas Electronics data sheets or data books, etc.
 - “Standard”: Computers; office equipment; communications equipment; test and measurement equipment; audio and visual equipment; home electronic appliances; machine tools; personal electronic equipment; and industrial robots.
 - “High Quality”: Transportation equipment (automobiles, trains, ships, etc.); traffic control systems; anti-disaster systems; anti-crime systems; safety equipment; and medical equipment not specifically designed for life support.
 - “Specific”: Aircraft; aerospace equipment; submersible repeaters; nuclear reactor control systems; medical equipment or systems for life support (e.g. artificial life support devices or systems), surgical implantations, or healthcare intervention (e.g. excision, etc.), and any other applications or purposes that pose a direct threat to human life.
8. You should use the Renesas Electronics products described in this document within the range specified by Renesas Electronics, especially with respect to the maximum rating, operating supply voltage range, movement power voltage range, heat radiation characteristics, installation and other product characteristics. Renesas Electronics shall have no liability for malfunctions or damages arising out of the use of Renesas Electronics products beyond such specified ranges.
9. Although Renesas Electronics endeavors to improve the quality and reliability of its products, semiconductor products have specific characteristics such as the occurrence of failure at a certain rate and malfunctions under certain use conditions. Further, Renesas Electronics products are not subject to radiation resistance design. Please be sure to implement safety measures to guard them against the possibility of physical injury, and injury or damage caused by fire in the event of the failure of a Renesas Electronics product, such as safety design for hardware and software including but not limited to redundancy, fire control and malfunction prevention, appropriate treatment for aging degradation or any other appropriate measures. Because the evaluation of microcomputer software alone is very difficult, please evaluate the safety of the final products or system manufactured by you.
10. Please contact a Renesas Electronics sales office for details as to environmental matters such as the environmental compatibility of each Renesas Electronics product. Please use Renesas Electronics products in compliance with all applicable laws and regulations that regulate the inclusion or use of controlled substances, including without limitation, the EU RoHS Directive. Renesas Electronics assumes no liability for damages or losses occurring as a result of your noncompliance with applicable laws and regulations.
11. This document may not be reproduced or duplicated, in any form, in whole or in part, without prior written consent of Renesas Electronics.
12. Please contact a Renesas Electronics sales office if you have any questions regarding the information contained in this document or Renesas Electronics products, or if you have any other inquiries.

(Note 1) “Renesas Electronics” as used in this document means Renesas Electronics Corporation and also includes its majority-owned subsidiaries.

(Note 2) “Renesas Electronics product(s)” means any product developed or manufactured by or for Renesas Electronics.

**6-CHANNEL OPERATIONAL AMPLIFIER, IRIS DRIVER,
 AND 4-CHANNEL H-BRIDGE DRIVER**

DESCRIPTION

The μ PD168104 is the motor driver IC with IRIS control circuit, operational amplifier and 4-ch H-bridge output. Smooth operation is possible for IRIS control with linear method.
 The package is 56-pin thin type QFN and then it helps reduce the mounting area and height.
 The μ PD168104 is suitable for the lens drive of a camcorder, DSC, etc.

FEATURES

- 5-ch H-bridge circuits employing power MOSFET
 Stepping motors driver : 4 circuits, IRIS driver : 1 circuit.
- Low-voltage driving
 $LV_{DD} = 2.7$ to 3.6 V, $AV_{DD} = 4.5$ to 5.5 V, $V_M = V_{SHUTTER} = V_{IRIS} = 2.7$ to 5.5 V
- Output on-state resistance: 2.0Ω TYP., 3.0Ω MAX. (4-ch H-bridge block, sum of top and bottom stage, $V_M = 5$ V)
- PWM output (ch1 to ch4)
- Output current
 DC current: ± 0.3 A/ch (when each channel is used independently)
 Peak current: ± 0.7 A/ch (when each channel is used independently)
- 6-ch general-purpose operational amplifier
 Input offset voltage: ± 5 mV
 Input voltage range: 0 to $AV_{DD} - 1.5$ V
 Output voltage range: 0.2 to $AV_{DD} - 0.2$ V
- 1-ch $1/2AV_{DD}$ output amplifier
- IRIS driver block supporting linear driving
- Pre-driver amplifier of the IRIS driver block
- Undervoltage lockout circuit
 Output circuit and amplifier stop at $LV_{DD} = 1.7$ V TYP. or less.
- Overheat protection circuit
 Operates at 150°C or more and shuts down the output circuit.
- Mounted on 56-pin plastic WQFN (8 x 8)

APPLICATIONS

Lens motor driving for DVC and DSC, etc.

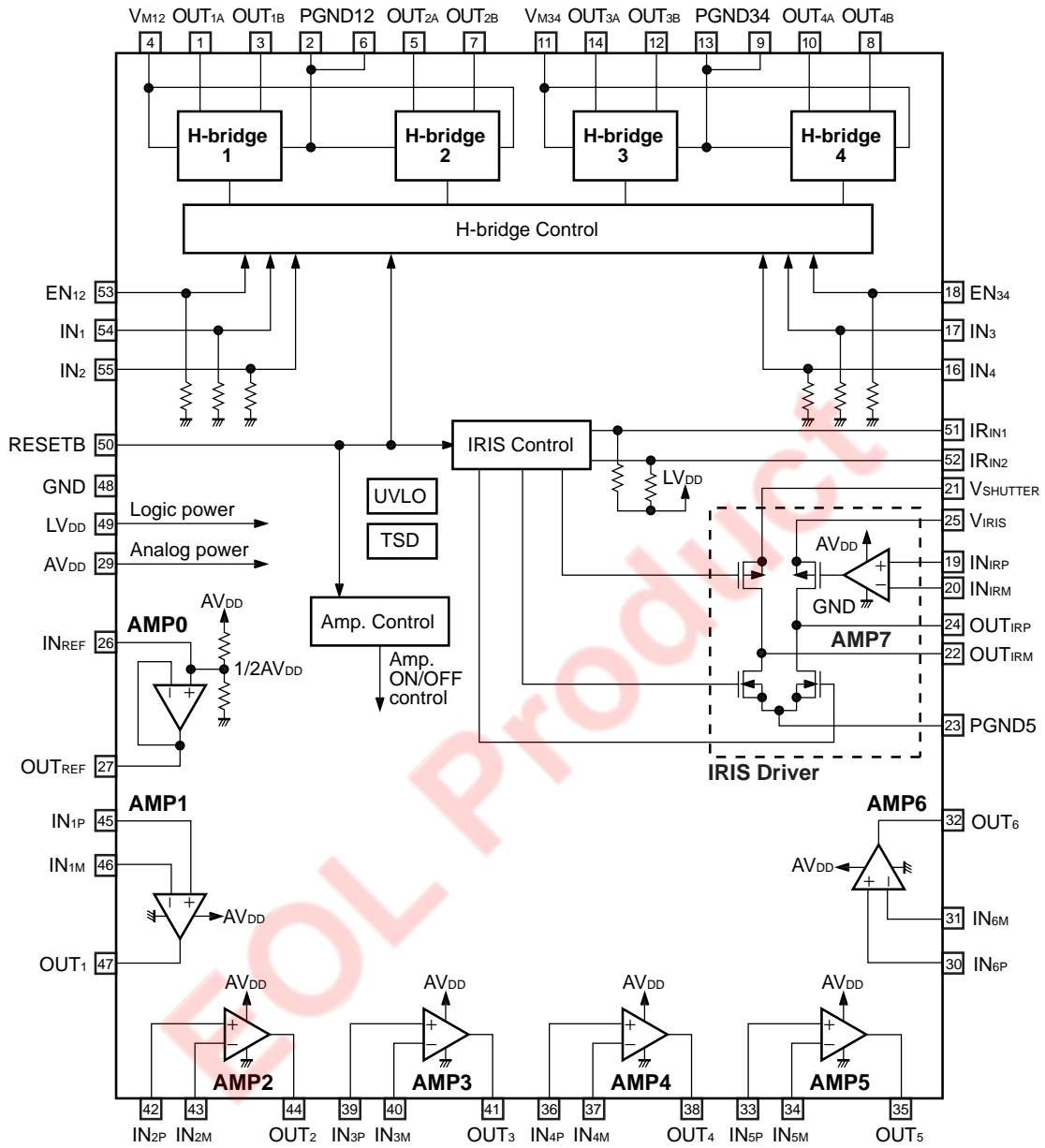
ORDERING INFORMATION

Part Number	Package	Marking	Packing Type
μ PD168104K9-9B4-A ^{Note}	56-pin plastic WQFN (8 x 8)	D168104K	<ul style="list-style-type: none"> • Tray stuffing • Dry pack

Note Pb-free (This product does not contain Pb in external electrode and other parts.)

The information in this document is subject to change without notice. Before using this document, please confirm that this is the latest version.
 Not all products and/or types are available in every country. Please check with an NEC Electronics sales representative for availability and additional information.

1. BLOCK DIAGRAM



Cautions 1. P in pin name means plus, and M in pin name means minus.

2. A pull-down resistor (50 to 200 kΩ) is connected to the logic input pins (EN₁₂, EN₃₄, IN₁, IN₂, IN₃, and IN₄). A pull-up resistor (50 to 200 kΩ) is connected to the IR_{IN1} and IR_{IN2} pins.

2. PIN FUNCTIONS

(1/2)

Pin No.	Pin Name	I/O	Function
1	OUT _{1A}	Output	ch1 output pin A
2	PGND12	–	ch1 and ch2 GND pin
3	OUT _{1B}	Output	ch1 output pin B
4	V _{M12}	–	ch1 and ch2 power supply voltage pin
5	OUT _{2A}	Output	ch2 output pin A
6	PGND12	–	ch1 and ch2 GND pin
7	OUT _{2B}	Output	ch2 output pin B
8	OUT _{4B}	Output	ch4 output pin B
9	PGND34	–	ch3 and ch4 GND pin
10	OUT _{4A}	Output	ch4 output pin A
11	V _{M34}	–	ch3 and ch4 power supply voltage pin
12	OUT _{3B}	Output	ch3 output pin B
13	PGND34	–	ch3 and ch4 GND pin
14	OUT _{3A}	Output	ch3 output pin A
15	NC	–	No connection
16	IN ₄	Input	ch4 input pin
17	IN ₃	Input	ch3 input pin
18	EN ₃₄	Input	ch3 and ch4 output control input pin
19	IN _{IRP}	Input	IRIS linear control (AMP5) plus input pin
20	IN _{IRM}	Input	IRIS linear control (AMP5) minus input pin
21	V _{SHUTTER}	–	Shutter (ON/OFF) power supply voltage pin
22	OUT _{IRM}	Output	IRIS minus output pin
23	PGND5	–	IRIS and shutter GND pin
24	OUT _{IRP}	Output	IRIS plus output pin
25	V _{IRIS}	–	IRIS (linear) power supply voltage pin
26	IN _{REF}	Input	1/2AV _{DD} amplifier (AMP0) input pin (for capacitor connection)
27	OUT _{REF}	Output	1/2AV _{DD} amplifier (AMP0) output pin
28	NC	–	No connection
29	AV _{DD}	–	Analog power supply voltage pin
30	IN _{6P}	Input	Amplifier 6 (AMP6) plus input pin
31	IN _{6M}	Input	Amplifier 6 (AMP6) minus input pin
32	OUT ₆	Output	Amplifier 6 (AMP6) output pin
33	IN _{5P}	Input	Amplifier 5 (AMP5) plus input pin
34	IN _{5M}	Input	Amplifier 5 (AMP5) minus input pin
35	OUT ₅	Output	Amplifier 5 (AMP5) output pin

(2/2)

Pin No.	Pin Name	I/O	Function
36	IN _{4P}	Input	Amplifier 4 (AMP4) plus input pin
37	IN _{4M}	Input	Amplifier 4 (AMP4) minus input pin
38	OUT ₄	Output	Amplifier 4 (AMP4) output pin
39	IN _{3P}	Input	Amplifier 3 (AMP3) plus input pin
40	IN _{3M}	Input	Amplifier 3 (AMP3) minus input pin
41	OUT ₃	Output	Amplifier 3 (AMP3) output pin
42	IN _{2P}	Input	Amplifier 2 (AMP2) plus input pin
43	IN _{2M}	Input	Amplifier 2 (AMP2) minus input pin
44	OUT ₂	Output	Amplifier 2 (AMP2) output pin
45	IN _{1P}	Input	Amplifier 1 (AMP1) plus input pin
46	IN _{1M}	Input	Amplifier 1 (AMP1) minus input pin
47	OUT ₁	Output	Amplifier 1 (AMP1) output pin
48	GND	–	Logic and analog GND pin
49	LV _{DD}	–	Logic power supply voltage pin
50	RESETB	Input	Reset input pin
51	IR _{IN1}	Input	IRIS control logic input pin 1
52	IR _{IN2}	Input	IRIS control logic input pin 2
53	EN ₁₂	Input	ch1 and ch2 output control input pin
54	IN ₁	Input	ch1 input pin
55	IN ₂	Input	ch2 input pin
56	NC	–	No connection

3. FUNCTION OPERATION TABLE

3.1 Reset Function

The internal circuit is shut off and the circuit current is kept to 1 μA MAX. when the RESETB pin is set L (reset status). In this status, all of the output pins are Hi-Z (High impedance). Set the RESETB pin H for normal usage.

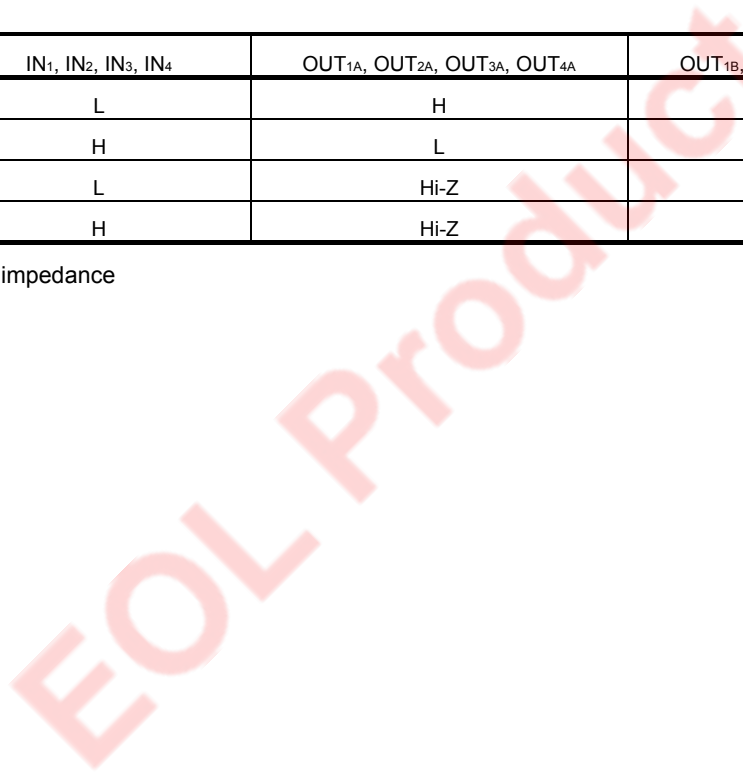
Remark H: High level, L: Low level

3.2 Stepping Motor Driving Block

Table 3–1. I/O Truth Table of the Stepping Motor Driving Block

EN ₁₂ , EN ₃₄	IN ₁ , IN ₂ , IN ₃ , IN ₄	OUT _{1A} , OUT _{2A} , OUT _{3A} , OUT _{4A}	OUT _{1B} , OUT _{2B} , OUT _{3B} , OUT _{4B}
H	L	H	L
	H	L	H
L	L	Hi-Z	Hi-Z
	H	Hi-Z	Hi-Z

Remark Hi-Z: High impedance

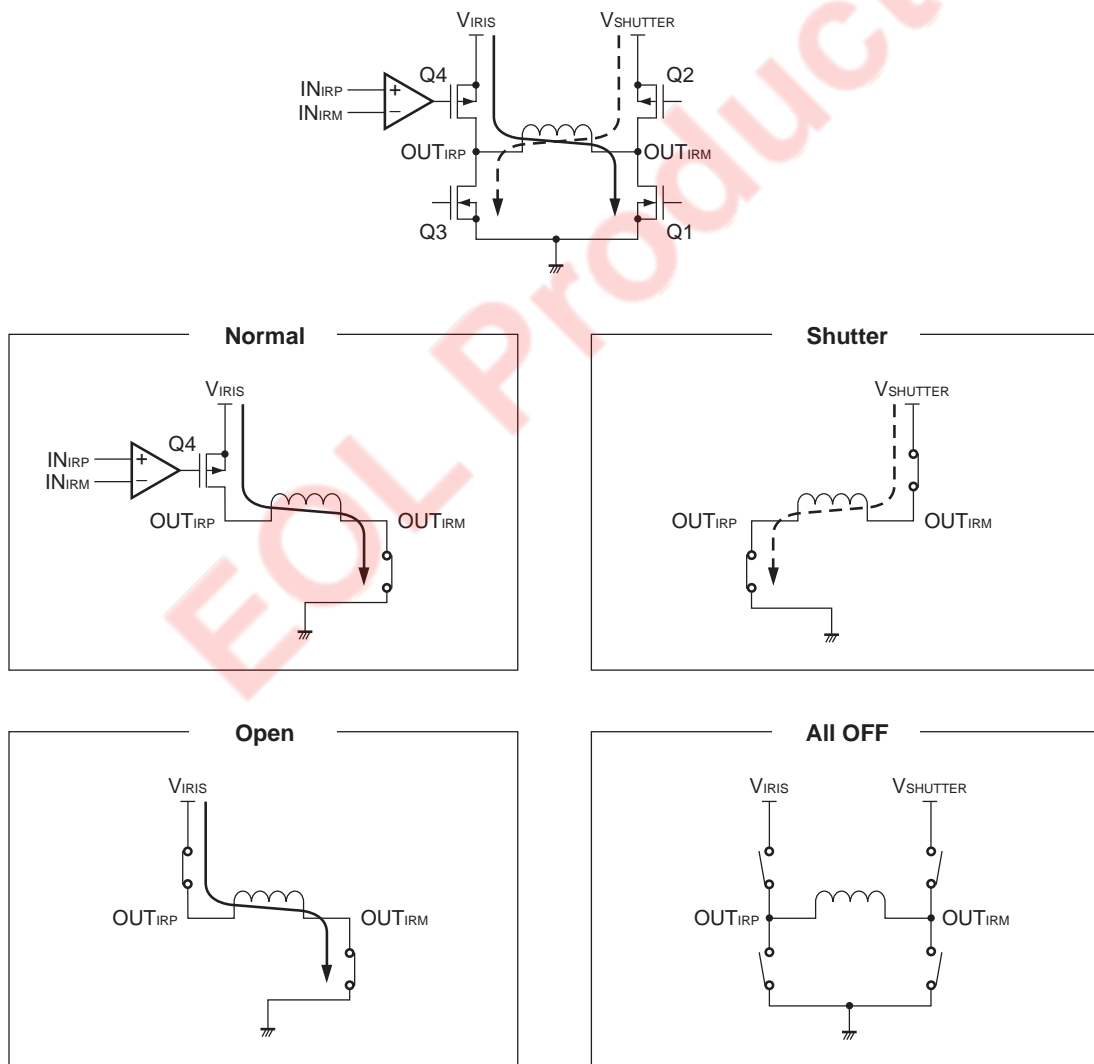


3.3 IRIS Motor Driving Block

Table 3-2. I/O Truth Table of the IRIS Driving Block

IR _{IN1}	IR _{IN2}	Operation Mode	Output State of H-bridge				OUT _{IRP}	OUT _{IRM}
			Q1	Q2	Q3	Q4		
L	L	Normal operation (Amp. control)	ON	OFF	OFF	ON (Linear)	Linear	Linear
L	H	Shutter	OFF	ON	ON	OFF	L	H
H	L	IRIS open	ON	OFF	OFF	ON	H	L
H	H	Output all OFF	OFF	OFF	OFF	OFF	Hi-Z	Hi-Z

Figure 3-1. Description of the Operation Figure of the IRIS Motor Driving Block



4. FUNCTIONAL DEPLOYMENT

4.1 Undervoltage Lockout (UVLO) Circuit

This function is to forcibly stop the operation of the μ PD168104 to prevent malfunctioning if LV_{DD} drops.

When UVLO operates, the driver output and amplifier circuit are the OFF status.

The UVLO circuit detects a voltage drop if LV_{DD} drops to 1.7 V TYP. in the non-reset status (RESETB = H). In the reset status (RESETB = L), it detects a voltage drop if LV_{DD} drops to 0.6 V TYP. This circuit may not operate if the LV_{DD} voltage abruptly drops for just a few μ s.

4.2 Overheat Protection (TSD) Circuit

This function is to forcibly stop the operation of the driver output to protect it from destruction due to overheating if the chip temperature of the μ PD168104 rises.

The overheat protection circuit operates when the chip temperature rises to 150°C or more. When overheat is detected, the driver output is stopped.

When RESETB = L (the reset status) or when UVLO is detected, the overheat protection circuit does not operate.

4.3 Current of motor power supply terminal

The μ PD168104 has a circuit that prevents current from flowing into the V_M, V_{SHUTTER} and V_{IRIS} pins (from the next, these are written as the motor power supply pins) when LV_{DD} = 0 V or AV_{DD} = 0 V.

Because the LV_{DD} pin voltage, the AV_{DD} pin voltage and the motor power supply pins voltage are monitored, a current of 1 μ A TYP. flows into each one of the motor power supply pins when LV_{DD} is applied.

5. NOTE ON CORRECT USE

5.1 Pin Processing of Unused Circuit

The input/output pins of an unused circuit must be processed as specified below.

A pull-down or pull-up resistor is connected inside to the logic input pins. Connect the input pins so that IR_{IN1} and IR_{IN2} become LV_{DD} potential, and the other pins become GND potential when they are not used.

A pull-down resistor is not connected to the RESETB pin. Be sure to fix the RESETB pin to the LV_{DD} potential when it is used.

EOL Product

6. ELECTRICAL SPECIFICATIONS

Absolute Maximum Ratings (T_A = 25°C, glass epoxy board of 100 mm x 100 mm x 1 mm with copper foil area of 15%)

Parameter	Symbol	Condition	Rating	Unit
Power supply voltage	LV _{DD}	Control block	-0.5 to +6.0	V
	AV _{DD}	Analog block	-0.5 to +6.0	V
	V _{M12} , V _{M34}	Stepping motor block	-0.5 to +6.0	V
	V _{SHUTTER} , V _{IRIS}	IRIS block	-0.5 to +6.0	V
Input voltage	V _{IN}		-0.5 to LV _{DD} + 0.5	V
Output pin voltage 1	V _{OUT1}	Motor block	6.2	V
Output pin voltage 2	V _{OUT2}	Amplifier block	-0.5 to AV _{DD} + 0.5	V
DC output current	I _{D1(DC)}	DC (stepping motor)	±0.3	A/ch
	I _{D2(DC)}	DC (IRIS)	±0.2	A/ch
Instantaneous output current	I _{D(pulse)}	PW < 10 ms, Duty Cycle ≤ 20%	±0.7	A/ch
Power consumption	P _T		1.0	W
Peak junction temperature	T _{ch(MAX.)} ^{Note}		150	°C
Storage temperature	T _{stg}		-55 to +150	°C

Note The overheat protection circuit operates at T_{ch} > 150°C. When overheat is detected, all the circuits are stopped. The overheat protection circuit does not operate at reset or on detection of ULVO.

- Cautions**
1. Product quality may suffer if the absolute maximum rating is exceeded even momentarily for any parameter. That is, the absolute maximum ratings are rated values at which the product is on the verge of suffering physical damage, and therefore the product must be used under conditions that ensure that the absolute maximum ratings are not exceeded.
 2. Keep V_{IN} to less than 6 V.

Recommended Operating Conditions (T_A = 25°C, glass epoxy board of 100 mm x 100 mm x 1 mm with copper foil area of 15%)

Parameter	Symbol	Condition	MIN.	TYP.	MAX.	Unit
Power supply voltage	LV _{DD}	Control block	2.7		3.6	V
	AV _{DD}	Analog block	4.5		5.5	V
	V _{M12} , V _{M34}	Stepping motor block	2.7		5.5	V
	V _{SHUTTER} , V _{IRIS}	IRIS block	2.7		5.5	V
Input voltage	V _{IN}		0		LV _{DD}	V
DC output current	I _{D1(DC)}	DC (stepping motor, when 2 chs are driven at same time)	-0.2		+0.2	A/ch
	I _{D2(DC)}	DC (IRIS), maximum current when the shutter operates	-0.1		+0.1	A/ch
Amplifier output current	I _{OUT_AMP1}	AMP1 to AMP6	-5		+5	mA/ch
Logic input frequency	f _{IN}				100	kHz
Operating temperature range	T _A		-10		70	°C

Caution Design each output current so that the junction temperature does not exceed 150°C.

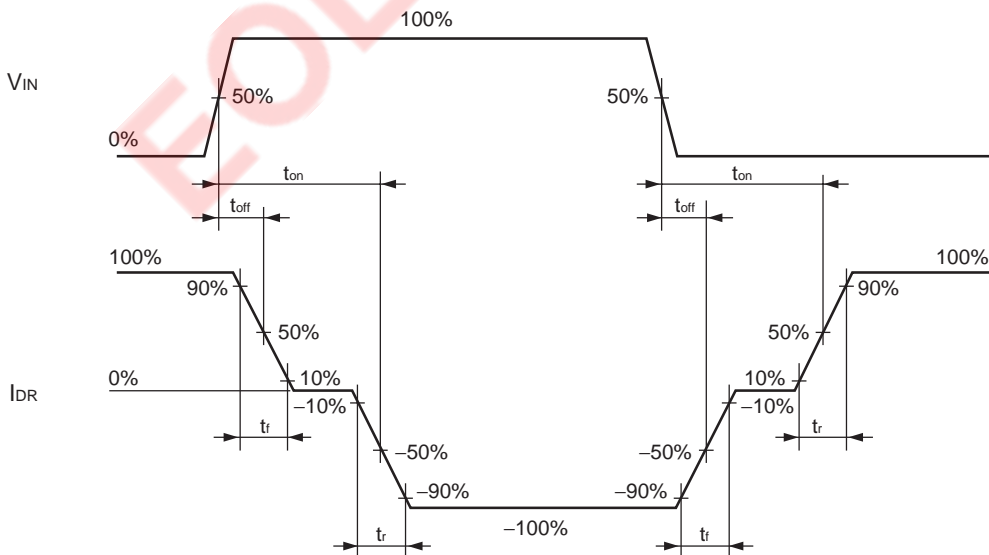
Electrical Characteristics (Unless otherwise specified, $T_A = 25^\circ\text{C}$, $LV_{DD} = 3.0\text{ V}$, $AV_{DD} = 5.0\text{ V}$, $V_M = V_{SHUTTER} = V_{IRIS} = 5.0\text{ V}$)

Overall and H-bridge block (stepping motor)

Parameter	Symbol	Condition	MIN.	TYP.	MAX.	Unit
LV _{DD} pin current in standby mode	ILV _{DD(STB)}	RESETB = 0 V, IR _{IN1-2} = H			1.0	μA
AV _{DD} pin current in standby mode	IAV _{DD(STB)}	RESETB = 0 V			1.0	μA
V _M pin current in standby mode	IV _{M(STB)}	RESETB = 0 V			1.0	μA
LV _{DD} pin current in during operation	ID _{D(ACT)}	RESETB = LV _{DD}			2.0	mA
High-level input current	I _{IH}	V _{IN} = LV _{DD}			60	μA
Low-level input current	I _{IL}	V _{IN} = 0 V	-1.0			μA
Input pull-down resistance	R _{IND}		50		200	kΩ
High-level input voltage	V _{IH}		0.7 x LV _{DD}			V
Low-level input voltage	V _{IL}				0.3 x LV _{DD}	V
H-bridge on-state resistance	R _{on}	I _M = 0.2 A, sum of upper and lower stages		2.0	3.0	Ω
Output leakage current ^{Note1}	I _{M(off)}	Per V _M pin, All control pins: low level			1.0	μA
Low-voltage detection voltage ^{Note2}	V _{DDS1}	RESETB = H		1.7	2.5	V
Output turn-on time	t _{on}	R _L = 20 Ω		0.5	1.0	μs
Output turn-off time	t _{off}			0.1	0.4	μs
Output rise time	t _r		0.05	0.2	0.4	μs
Output fall time	t _f			50	100	ns

- Notes 1.** μ PD168104 has a circuit that prevents current from flowing into the V_M pin when LV_{DD} = 0 V.
2. Unlike normal operations, after a reset the detection voltage becomes 0.6 V TYP.

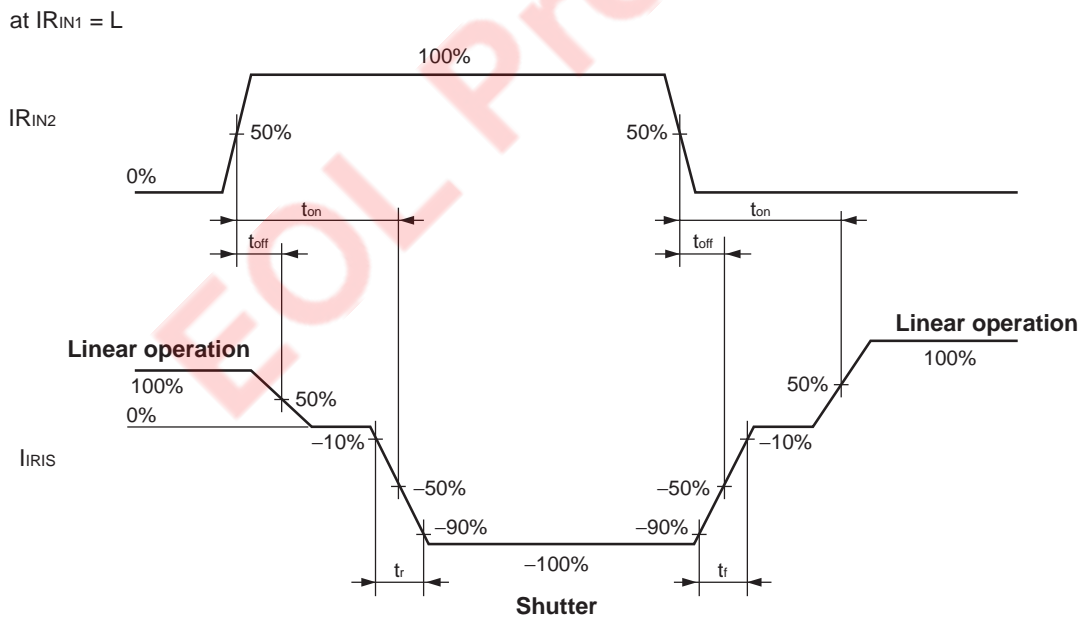
Figure 6–1. Switching Characteristic Waveform of the Stepping Motor Driving Block



H-bridge block (IRIS motor)

Parameter	Symbol	Condition	MIN.	TYP.	MAX.	Unit
V _{IRIS} pin current in standby mode	I _{VIRIS(STB)}	RESETB = 0 V			1.0	μA
V _{SHUTTER} pin current in standby mode	I _{VSHUTTER(STB)}	RESETB = 0 V			1.0	μA
High-level input current	I _{IH}	V _{IN} = LV _{DD}			1.0	μA
Low-level input current	I _{IL}	V _{IN} = 0 V	-60			μA
Input pull-up resistance	R _{IND}		50		200	kΩ
High-level input voltage	V _{IH}		0.7 x LV _{DD}			V
Low-level input voltage	V _{IL}				0.3 x LV _{DD}	V
H-bridge on-state resistance	R _{on1}	R _L = 50 Ω, sum of upper and lower stages		2.5	3.5	Ω
Output turn-on time	t _{onH1}	When linear driving, R _L = 50 Ω	0.01	25	35	μs
	t _{onH2}		0.01	1.0	2.0	μs
Output turn-off time	t _{offH}		0.01	1.0	2.0	μs
Output rise time	t _{rH}			60		ns
Output fall time	t _{fH}			80		ns
Control amplifier offset voltage	V _{IO}	AMP7		±5	±7.5	mV
Common mode input voltage range	V _{ICM}	AMP7	0		AV _{DD} - 1.5	V

Figure 6-2. Switching Characteristic Waveform of the IRIS Motor Driving Block



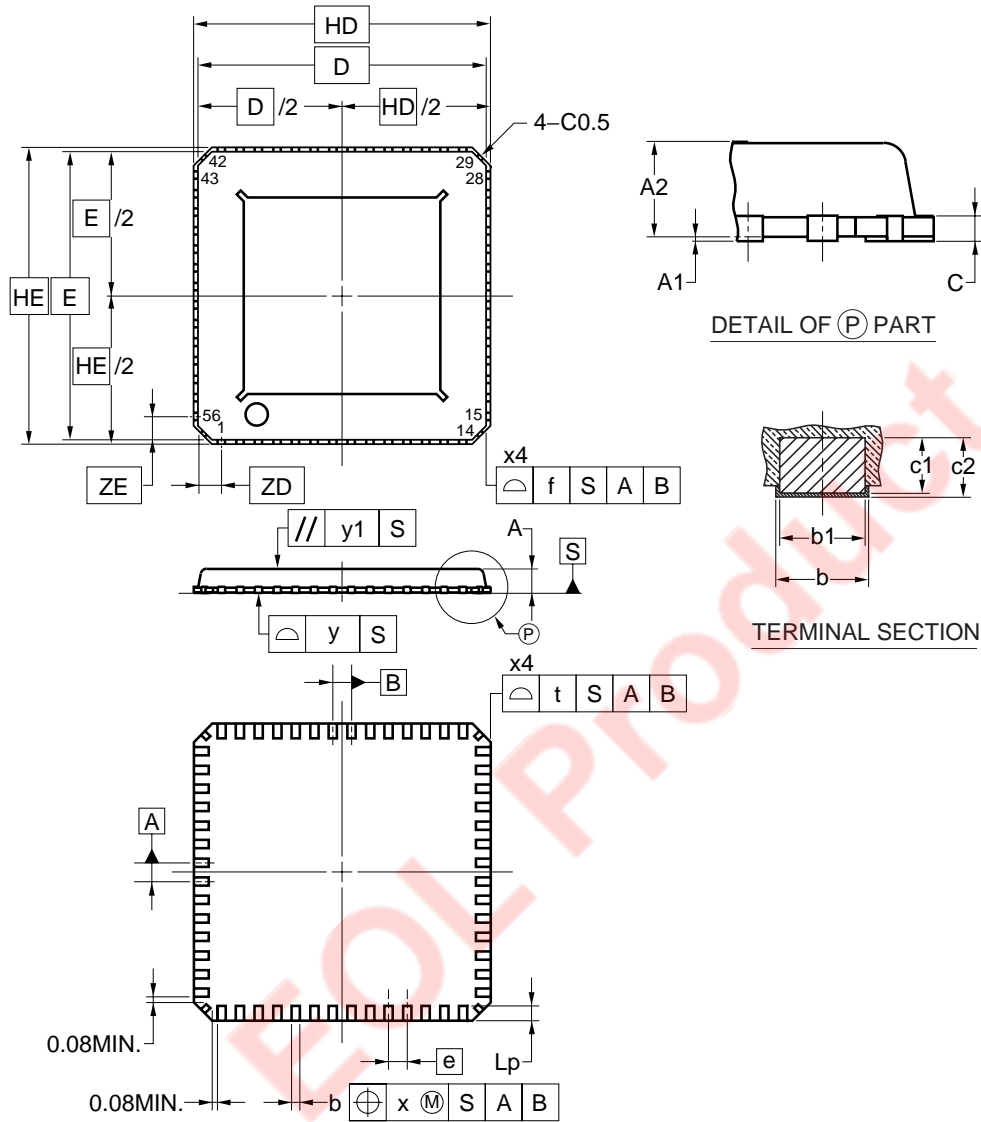
Operational amplifier block

Parameter	Symbol	Condition	MIN.	TYP.	MAX.	Unit
AV _{DD} pin current in during operation	IA _{DD}	Output open			3.0	mA
Input offset voltage 1	VI _{O1}	AMP1 to AMP6		±3	±5	mV
Common mode input voltage range 1	V _{ICM1}	AMP1 to AMP6	0		AV _{DD} - 1.5	V
High-level output voltage	VO _H	AMP1 to AMP6, when I _{OUT} = +2 mA	AV _{DD} - 0.2			V
Low-level output voltage	VO _L	AMP1 to AMP6, when I _{OUT} = -2 mA			0.2	V
Large amplitude voltage gain	Av	AMP1 to AMP6, DC	80			dB
Slew-rate	SR	AMP1 to AMP6, Av = 1 dB, RL ≥ 10 kΩ		0.5		V/μs
1/2AV _{DD} output voltage accuracy	VO	AMP0, I _{OUT} = ±100 μA	2.4	2.5	2.6	V

EOL Product

7. PACKAGE DRAWING

56-PIN PLASTIC WQFN (8x8)



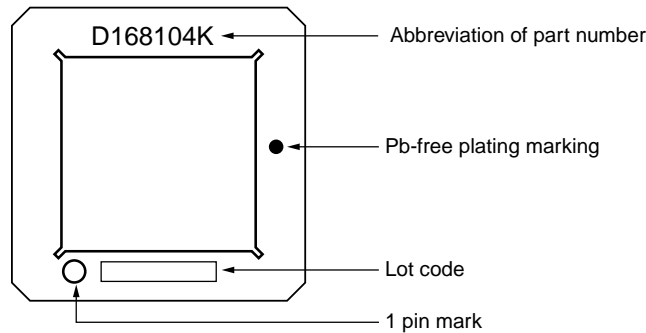
(UNIT:mm)

ITEM	DIMENSIONS
D	7.75
E	7.75
f	0.20
HD	8.00
HE	8.00
t	0.20
A	0.67 ^{+0.08} _{-0.04}
A1	0.03 ^{+0.02} _{-0.025}
A2	0.64
b	0.23±0.05
b1	0.20±0.03
c	0.17
c1	0.14-0.16
c2	0.14-0.20
e	0.50
Lp	0.40±0.10
x	0.05
y	0.08
y1	0.10
ZD	0.625
ZE	0.625

NOTES

- *1 "t" AND "f" EXCLUDES MOLD FLASH
- *2 ALTHOUGH THERE ARE 4 TERMINALS IN THE CORNER PART OF A PACKAGE, THESE TERMINALS ARE NOT DESIGNED FOR INTERCONNECTION, BUT FOR MANUFACTURING PROCESS OF THE PACKAGE, THEREFOR DO NOT INTEND TO SOLDER THESE 4 TERMINALS, SOLDERABILITY OF THE 4 TERMINALS ARE NOT GUARANTEED.

8. MARKING INFORMATION



This figure shows the item and place of seal.

However, it does not specify the shape and size of letters, and the detail of the place.

9. RECOMMENDED SOLDERING CONDITIONS

The μ PD168104 should be soldered and mounted under the following recommended conditions.

For soldering methods and conditions other than those recommended below, contact an NEC Electronics sales representative.

For technical information, see the following website.

Semiconductor Device Mount Manual (<http://www.necel.com/pkg/en/mount/index.html>)

Type of Surface Mount Device

μ PD168104K9-9B4-A ^{Note1}: 56-pin plastic WQFN (8 x 8)

Process	Conditions	Symbol
Infrared reflow	Package peak temperature: 260°C, Time: 60 seconds or less (at 220°C or higher), Count: Three times or less, Exposure limit: 3 days ^{Note2} (after that, prebake at 125°C for 10 hours) , Flux: Rosin flux with low chlorine (0.2 Wt% or below) recommended. <Precaution> Products other than in heat-resistant trays (such as those packaged in a magazine, taping, or non-thermal-resistant tray) cannot be baked in their package.	IR60-103-3
Partial heating	Pin temperature: 350°C or below, Heat time: 3 seconds or less (Per each pin), Flux: Rosin flux with low chlorine (0.2 Wt% or below) recommended.	P350

Notes 1. Pb-free (This product does not contain Pb in external electrode and other parts.)

2. After opening the dry pack, store it a 25°C or less and 65% RH or less for the allowable storage period.

Caution Do not use different soldering methods together (except for partial heating).

NOTES FOR CMOS DEVICES

① VOLTAGE APPLICATION WAVEFORM AT INPUT PIN

Waveform distortion due to input noise or a reflected wave may cause malfunction. If the input of the CMOS device stays in the area between V_{IL} (MAX) and V_{IH} (MIN) due to noise, etc., the device may malfunction. Take care to prevent chattering noise from entering the device when the input level is fixed, and also in the transition period when the input level passes through the area between V_{IL} (MAX) and V_{IH} (MIN).

② HANDLING OF UNUSED INPUT PINS

Unconnected CMOS device inputs can be cause of malfunction. If an input pin is unconnected, it is possible that an internal input level may be generated due to noise, etc., causing malfunction. CMOS devices behave differently than Bipolar or NMOS devices. Input levels of CMOS devices must be fixed high or low by using pull-up or pull-down circuitry. Each unused pin should be connected to V_{DD} or GND via a resistor if there is a possibility that it will be an output pin. All handling related to unused pins must be judged separately for each device and according to related specifications governing the device.

③ PRECAUTION AGAINST ESD

A strong electric field, when exposed to a MOS device, can cause destruction of the gate oxide and ultimately degrade the device operation. Steps must be taken to stop generation of static electricity as much as possible, and quickly dissipate it when it has occurred. Environmental control must be adequate. When it is dry, a humidifier should be used. It is recommended to avoid using insulators that easily build up static electricity. Semiconductor devices must be stored and transported in an anti-static container, static shielding bag or conductive material. All test and measurement tools including work benches and floors should be grounded. The operator should be grounded using a wrist strap. Semiconductor devices must not be touched with bare hands. Similar precautions need to be taken for PW boards with mounted semiconductor devices.

④ STATUS BEFORE INITIALIZATION

Power-on does not necessarily define the initial status of a MOS device. Immediately after the power source is turned ON, devices with reset functions have not yet been initialized. Hence, power-on does not guarantee output pin levels, I/O settings or contents of registers. A device is not initialized until the reset signal is received. A reset operation must be executed immediately after power-on for devices with reset functions.

⑤ POWER ON/OFF SEQUENCE

In the case of a device that uses different power supplies for the internal operation and external interface, as a rule, switch on the external power supply after switching on the internal power supply. When switching the power supply off, as a rule, switch off the external power supply and then the internal power supply. Use of the reverse power on/off sequences may result in the application of an overvoltage to the internal elements of the device, causing malfunction and degradation of internal elements due to the passage of an abnormal current.

The correct power on/off sequence must be judged separately for each device and according to related specifications governing the device.

⑥ INPUT OF SIGNAL DURING POWER OFF STATE

Do not input signals or an I/O pull-up power supply while the device is not powered. The current injection that results from input of such a signal or I/O pull-up power supply may cause malfunction and the abnormal current that passes in the device at this time may cause degradation of internal elements. Input of signals during the power off state must be judged separately for each device and according to related specifications governing the device.

Reference Documents**NEC Semiconductor Device Reliability/Quality Control System (C10983E)****Quality Grades On NEC Semiconductor Devices (C11531E)**

- **The information in this document is current as of February, 2007. The information is subject to change without notice. For actual design-in, refer to the latest publications of NEC Electronics data sheets or data books, etc., for the most up-to-date specifications of NEC Electronics products. Not all products and/or types are available in every country. Please check with an NEC Electronics sales representative for availability and additional information.**

- No part of this document may be copied or reproduced in any form or by any means without the prior written consent of NEC Electronics. NEC Electronics assumes no responsibility for any errors that may appear in this document.
- NEC Electronics does not assume any liability for infringement of patents, copyrights or other intellectual property rights of third parties by or arising from the use of NEC Electronics products listed in this document or any other liability arising from the use of such products. No license, express, implied or otherwise, is granted under any patents, copyrights or other intellectual property rights of NEC Electronics or others.
- Descriptions of circuits, software and other related information in this document are provided for illustrative purposes in semiconductor product operation and application examples. The incorporation of these circuits, software and information in the design of a customer's equipment shall be done under the full responsibility of the customer. NEC Electronics assumes no responsibility for any losses incurred by customers or third parties arising from the use of these circuits, software and information.
- While NEC Electronics endeavors to enhance the quality, reliability and safety of NEC Electronics products, customers agree and acknowledge that the possibility of defects thereof cannot be eliminated entirely. To minimize risks of damage to property or injury (including death) to persons arising from defects in NEC Electronics products, customers must incorporate sufficient safety measures in their design, such as redundancy, fire-containment and anti-failure features.
- NEC Electronics products are classified into the following three quality grades: "Standard", "Special" and "Specific".

The "Specific" quality grade applies only to NEC Electronics products developed based on a customer-designated "quality assurance program" for a specific application. The recommended applications of an NEC Electronics product depend on its quality grade, as indicated below. Customers must check the quality grade of each NEC Electronics product before using it in a particular application.

"Standard": Computers, office equipment, communications equipment, test and measurement equipment, audio and visual equipment, home electronic appliances, machine tools, personal electronic equipment and industrial robots.

"Special": Transportation equipment (automobiles, trains, ships, etc.), traffic control systems, anti-disaster systems, anti-crime systems, safety equipment and medical equipment (not specifically designed for life support).

"Specific": Aircraft, aerospace equipment, submersible repeaters, nuclear reactor control systems, life support systems and medical equipment for life support, etc.

The quality grade of NEC Electronics products is "Standard" unless otherwise expressly specified in NEC Electronics data sheets or data books, etc. If customers wish to use NEC Electronics products in applications not intended by NEC Electronics, they must contact an NEC Electronics sales representative in advance to determine NEC Electronics' willingness to support a given application.

(Note)

- (1) "NEC Electronics" as used in this statement means NEC Electronics Corporation and also includes its majority-owned subsidiaries.
- (2) "NEC Electronics products" means any product developed or manufactured by or for NEC Electronics (as defined above).