

To our customers,

Old Company Name in Catalogs and Other Documents

On April 1st, 2010, NEC Electronics Corporation merged with Renesas Technology Corporation, and Renesas Electronics Corporation took over all the business of both companies. Therefore, although the old company name remains in this document, it is a valid Renesas Electronics document. We appreciate your understanding.

Renesas Electronics website: <http://www.renesas.com>

April 1st, 2010
Renesas Electronics Corporation

Issued by: Renesas Electronics Corporation (<http://www.renesas.com>)

Send any inquiries to <http://www.renesas.com/inquiry>.

Notice

1. All information included in this document is current as of the date this document is issued. Such information, however, is subject to change without any prior notice. Before purchasing or using any Renesas Electronics products listed herein, please confirm the latest product information with a Renesas Electronics sales office. Also, please pay regular and careful attention to additional and different information to be disclosed by Renesas Electronics such as that disclosed through our website.
2. Renesas Electronics does not assume any liability for infringement of patents, copyrights, or other intellectual property rights of third parties by or arising from the use of Renesas Electronics products or technical information described in this document. No license, express, implied or otherwise, is granted hereby under any patents, copyrights or other intellectual property rights of Renesas Electronics or others.
3. You should not alter, modify, copy, or otherwise misappropriate any Renesas Electronics product, whether in whole or in part.
4. Descriptions of circuits, software and other related information in this document are provided only to illustrate the operation of semiconductor products and application examples. You are fully responsible for the incorporation of these circuits, software, and information in the design of your equipment. Renesas Electronics assumes no responsibility for any losses incurred by you or third parties arising from the use of these circuits, software, or information.
5. When exporting the products or technology described in this document, you should comply with the applicable export control laws and regulations and follow the procedures required by such laws and regulations. You should not use Renesas Electronics products or the technology described in this document for any purpose relating to military applications or use by the military, including but not limited to the development of weapons of mass destruction. Renesas Electronics products and technology may not be used for or incorporated into any products or systems whose manufacture, use, or sale is prohibited under any applicable domestic or foreign laws or regulations.
6. Renesas Electronics has used reasonable care in preparing the information included in this document, but Renesas Electronics does not warrant that such information is error free. Renesas Electronics assumes no liability whatsoever for any damages incurred by you resulting from errors in or omissions from the information included herein.
7. Renesas Electronics products are classified according to the following three quality grades: “Standard”, “High Quality”, and “Specific”. The recommended applications for each Renesas Electronics product depends on the product’s quality grade, as indicated below. You must check the quality grade of each Renesas Electronics product before using it in a particular application. You may not use any Renesas Electronics product for any application categorized as “Specific” without the prior written consent of Renesas Electronics. Further, you may not use any Renesas Electronics product for any application for which it is not intended without the prior written consent of Renesas Electronics. Renesas Electronics shall not be in any way liable for any damages or losses incurred by you or third parties arising from the use of any Renesas Electronics product for an application categorized as “Specific” or for which the product is not intended where you have failed to obtain the prior written consent of Renesas Electronics. The quality grade of each Renesas Electronics product is “Standard” unless otherwise expressly specified in a Renesas Electronics data sheets or data books, etc.
 - “Standard”: Computers; office equipment; communications equipment; test and measurement equipment; audio and visual equipment; home electronic appliances; machine tools; personal electronic equipment; and industrial robots.
 - “High Quality”: Transportation equipment (automobiles, trains, ships, etc.); traffic control systems; anti-disaster systems; anti-crime systems; safety equipment; and medical equipment not specifically designed for life support.
 - “Specific”: Aircraft; aerospace equipment; submersible repeaters; nuclear reactor control systems; medical equipment or systems for life support (e.g. artificial life support devices or systems), surgical implantations, or healthcare intervention (e.g. excision, etc.), and any other applications or purposes that pose a direct threat to human life.
8. You should use the Renesas Electronics products described in this document within the range specified by Renesas Electronics, especially with respect to the maximum rating, operating supply voltage range, movement power voltage range, heat radiation characteristics, installation and other product characteristics. Renesas Electronics shall have no liability for malfunctions or damages arising out of the use of Renesas Electronics products beyond such specified ranges.
9. Although Renesas Electronics endeavors to improve the quality and reliability of its products, semiconductor products have specific characteristics such as the occurrence of failure at a certain rate and malfunctions under certain use conditions. Further, Renesas Electronics products are not subject to radiation resistance design. Please be sure to implement safety measures to guard them against the possibility of physical injury, and injury or damage caused by fire in the event of the failure of a Renesas Electronics product, such as safety design for hardware and software including but not limited to redundancy, fire control and malfunction prevention, appropriate treatment for aging degradation or any other appropriate measures. Because the evaluation of microcomputer software alone is very difficult, please evaluate the safety of the final products or system manufactured by you.
10. Please contact a Renesas Electronics sales office for details as to environmental matters such as the environmental compatibility of each Renesas Electronics product. Please use Renesas Electronics products in compliance with all applicable laws and regulations that regulate the inclusion or use of controlled substances, including without limitation, the EU RoHS Directive. Renesas Electronics assumes no liability for damages or losses occurring as a result of your noncompliance with applicable laws and regulations.
11. This document may not be reproduced or duplicated, in any form, in whole or in part, without prior written consent of Renesas Electronics.
12. Please contact a Renesas Electronics sales office if you have any questions regarding the information contained in this document or Renesas Electronics products, or if you have any other inquiries.

(Note 1) “Renesas Electronics” as used in this document means Renesas Electronics Corporation and also includes its majority-owned subsidiaries.

(Note 2) “Renesas Electronics product(s)” means any product developed or manufactured by or for Renesas Electronics.

Phase-out/Discontinued

160-OUTPUT LCD COLUMN (SEGMENT) DRIVER WITH RAM

The μPD16661A is a column (segment) driver containing a RAM capable of full-dot LCD drive. With 160 outputs, this driver has an on-chip display RAM of 160 × 240 × 2 bits. The driver can be combined with the μPD16666A to display from 1/8 VGA to VGA (640 × 480 dots).

The μPD16661A is upwardly compatible with the μPD16661.

FEATURES

- Display RAM incorporated : 160 × 240 × 2 bits
- Logic voltage : 3.0 to 3.6 V
- Duty : 1/240
- Output count : 160 outputs
- Capable of gray scale display : 4 gray scales (frame thinning-out)
- Memory management : packed pixel system
- 8/16-bit data bus

ORDERING INFORMATION

Part Number	Package
μPD16661AN-xxx	TCP (TAB)
★ μPD16661AN-051	Standard TCP (OLB : 0.2 mm-pitch, pliable-output leads)

Remark The TCP package is custom made, so contact an NEC sales representative with your requirements.

The information in this document is subject to change without notice.

PIN NAMES

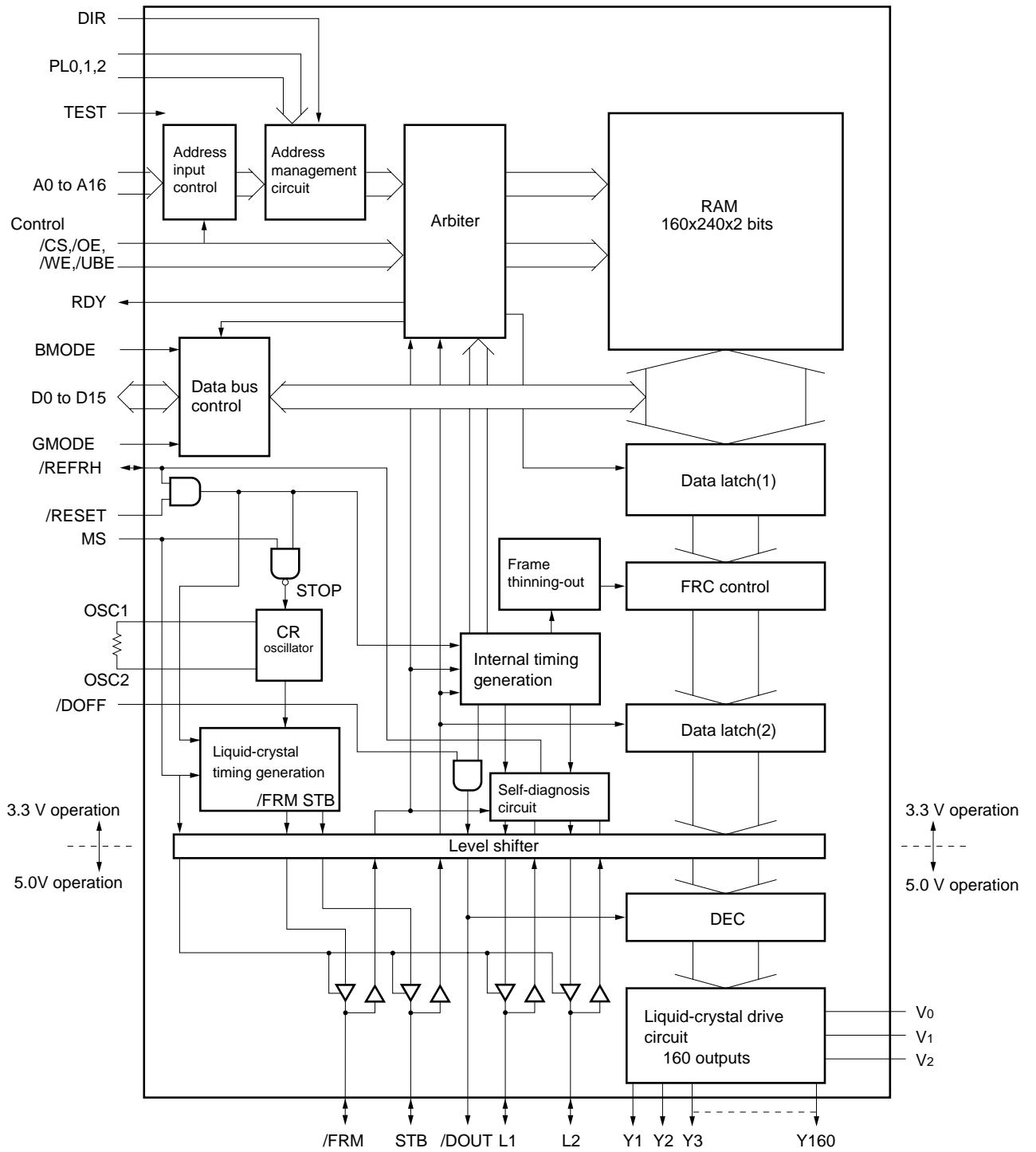
Classification	Pin Name ^{Note}	I/O	Pad No.	Function
CPU interface ↑ 3.3 V ↓	D0 to D15	I/O		Data bus : 16 bits
	A0 to A16	I		Address bus : 17 bits
	/CS	I		Chip select
	/OE	I		Read signal
	/WE	I		Write signal
	/UBE	I		Upper byte enable
	RDY	O		Ready signal to CPU (Ready state at "H")
	Control signals ↑ 3.3 V ↓ 5.0 V ↓	PL0	I	
PL1		I		Specifies the LSI placement positions (No. 0 to 7)
PL2		I		Specifies the LSI placement positions (No. 0 to 7)
DIR		I		Specifies the liquid-crystal panel placement direction
MS		I		Master/slave selection pin (Master mode at "H")
BMODE		I		Data bus bit selection pin ("H" = 8 bits, "L" = 16 bits)
GMODE		I		Gray scale data weight reverse switching (When data = [1,1], "L" = black, "H" = white)
/REFRH		I/O		Self-diagnosis reset pin (wired-OR connection)
TEST		I		Test pin ("H" = test mode, on-chip pull-down resistor)
/RESET		I		Reset signal
/DOFF		I		Display OFF input signal
OSC1		-		Oscillator externally-attached resistor pin
OSC2		-		Oscillator externally-attached resistor pin
STB		I/O		Column drive signal (MS pin "H" = output, MS pin "L" = input)
/FRM		I/O		Frame signal (MS pin "H" = output, MS pin "L" = input)
L1	I/O		Row driver drive level selection signal (1st line)	
L2	I/O		Row driver drive level selection signal (2nd line)	
/DOUT	O		Display OFF output signal	
Liquid-crystal drive	Y1 to Y160	O		Liquid-crystal drive output
Power supplies	GND	-		Ground (two pins for V _{CC1} system , three pins for V _{CC2} system)
	V _{CC1}	-		5-V power supply
	V _{CC2}	-		3.3-V power supply
	V ₀	-		Liquid-crystal drive analog power supply
	V ₁	-		Liquid-crystal drive analog power supply
	V ₂	-		Liquid-crystal drive analog power supply

Note 3.3-V pin : D0 to D15, A0 to A16, /CS, /OE, /WE, /UBE, RDY, BMODE, GMODE, PL0, PL1, PL2, DIR, OSC1, OSC2, /RESET, /DOFF, TEST, MS

5-V pin : STB, /FRM, L1, L2, /DOUT

★ **Remark** /xxx indicates active low signal.

BLOCK DIAGRAM



1. BLOCK FUNCTIONS

(1) Address management circuit

The address management circuit converts the addresses transferred from the system via A0 to A16 into addresses compatible with the memory map of the on-chip RAM.

This function can be used to address up to VGA size (480×640 dots) with 8 of these LSIs, thus making it possible to configure a liquid-crystal display system without difficulty.

(2) Arbiter

The arbiter adjusts the contention between the RAM access from the system and the RAM read on the liquid-crystal drive side.

(3) RAM

Static RAM (single port) of $160 \times 240 \times 2$ bits

(4) Data bus control

The data bus controls the data transfer directions by means of Read/Write from the system.

The mode can be switched from 8 bits to 16 bits by the BMODE pin, and the relation between the display data and the gray scale can be switched by the GMODE pin.

(5) Frame thinning-out control

The frame thinning-out control indicates the four gray scales with three thinning-out frames. The thinning-out method can be changed in units of 9 pixels ($3 \text{ columns} \times 3 \text{ lines}$).

(6) Internal timing generation

The internal timing to each block is generated from the /FRM and STB signals.

(7) CR oscillator

In master mode, this oscillator generates the clock that is the reference for the frame frequency. The frame frequency is one 484th ($1/484$) of this oscillation. For example, if the frame frequency is 80 Hz, an oscillation frequency of 38.72 kHz is necessary. As the CR has a built-in capacitance, adjust the required oscillation frequency with an externally attached resistor.

In slave mode, oscillation is stopped.

(8) Liquid-crystal timing generation

In master mode, /FRM (the frame signal) and STB (the column drive signal strobe) are generated.

(9) FRC control

This circuit realizes the four gray-scale displays.

(10) Data latch (1)

This data latch reads and latches 160-pixel data from the RAM.

(11) Data latch (2)

This data latch synchronizes with the STB signal and latches 160-pixel data.

(12) Level shifter

The level shifter converts the voltage from the operating voltage of the internal circuit (3.3 V) to the voltage of the liquid-crystal drive circuit and row driver interface (5.0 V).

(13) DEC

The DEC decodes the gray scale display data to make it compatible with the liquid-crystal drive voltages V0, V1, and V2.

(14) Liquid-crystal drive circuit

This circuit selects one of the display OFF signal (/DOFF)-compatible liquid-crystal drive power supplies V0, V1, or V2, and generates the liquid-crystal applied voltage.

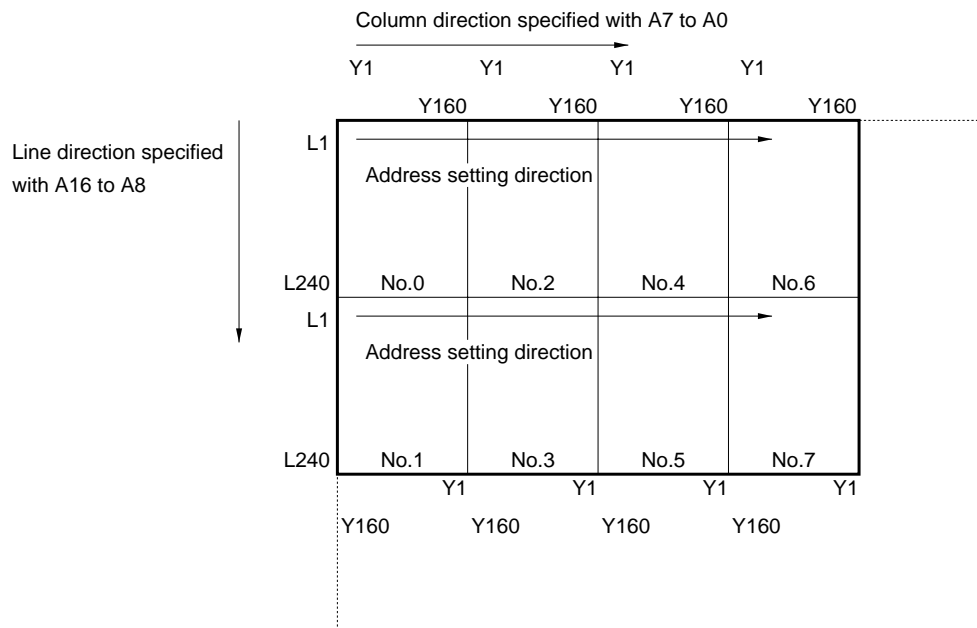
(15) Self-diagnosis circuit

This circuit automatically detects any occurrence of an operation timing lag between the master chip and the slave chip that has been caused by outside noise, and sends a refresh signal to all the column drivers.

2. MEMORY MAP

Address A16 A0	Description
0 0 0 0 0 H : :	Display data of Nos. 0, 2, 4, and 6
0 F 0 0 0 H : :	Display data of Nos. 1, 3, 5, and 7
1 D F A 0 H : 1 F F F F H	Unused

Address map image diagram (Example of VGA-size configuration)



3. DATA BUSES

The method for lining up byte data on the data bus line is essentially the Little Endian system adopted by NEC and Intel Corp.

3.1 16-bit data bus (BMODE = L)

Byte unit access

The address setting direction → is as shown on the right.

D0 to D7	D8 to D15
00000H	00001H
00002H	00003H
00004H	00005H
:	:
:	:

Word unit access

The address setting direction → is as shown on the right.

D0 to D7	D8 to D15
00000H	
00002H	
00004H	
:	
:	

For access from the system to be performed in word units (16 bits), or byte units (8 bits), /UBE (upper-byte enable) and A0 are used to show whether valid data is in the bytes of either (or both) D0 to D7 or D8 to D15.

/CS	/OE	/WE	/UBE	A0	MODE	I/O	
						D0 to D7	D8 to D15
H	X	X	X	X	Not selected	Hi-z	Hi-z
L	L	H	L	L	Read	Dout	Dout
			L	H		Hi-z	Dout
			H	L		Dout	Hi-z
L	H	L	L	L	Write	Din	Din
			L	H		X	Din
			H	L		Din	X
L	H	H	X	X	Output disable	Hi-z	Hi-z
			L	H		Hi-z	Hi-z

Remark X : Don't care, Hi-z : High impedance

3.2 8-bit data bus (BMODE = H)

The address setting direction →
is as shown on the right.

D0 to D7
00000H
00001H
00002H
:
:

/CS	/OE	/WE	MODE	I/O	
				D0 to D7	D8 to D15
H	X	X	Not selected	Hi-z	Note
L	L	H	Read	Dout	Note
L	H	L	Write	Din	Note
L	H	H	Output disable	Hi-z	Note

Note When BMODE = H, D8 to D15 and /UBE are pulled down internally, so either leave them open, or connect them to the GND.

Remark X : Don't care, Hi-z : High impedance

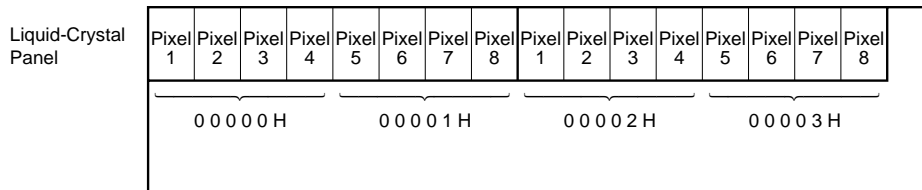
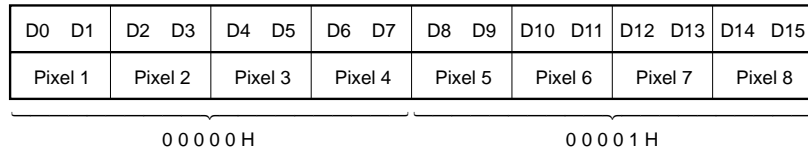
4. RELATIONSHIP BETWEEN DATA BITS AND PIXELS

Because the display is in four gray scales, each pixel consists of two bits.

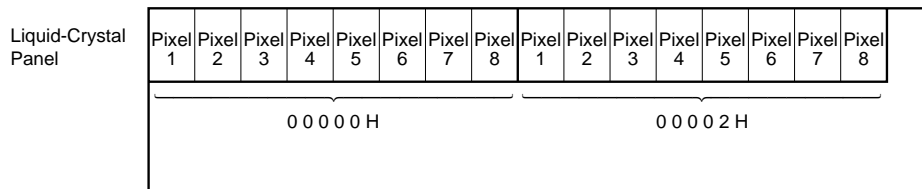
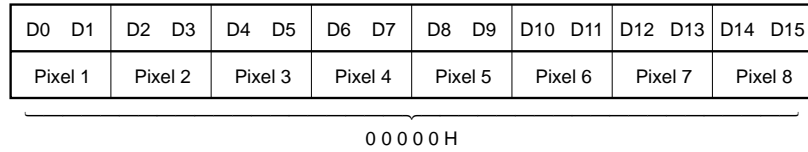
The RAM is configured with four pixels (8 pixels per word) using the packed pixel system.

(1) BMODE = L

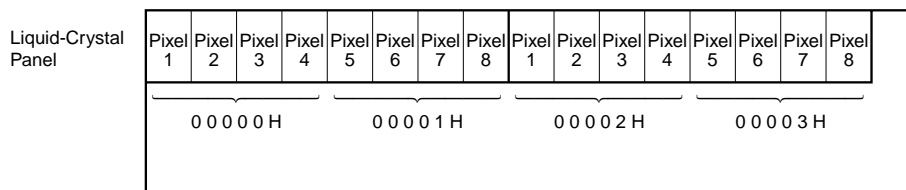
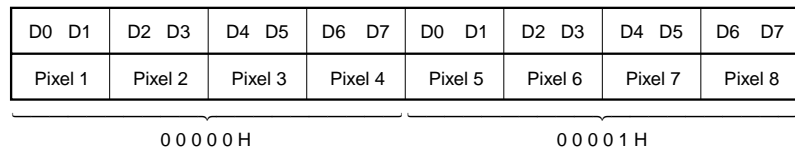
In byte unit access (8 bits)



In word unit access (16 bits)

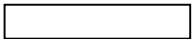





(2) BMODE = H

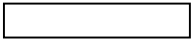





5. RELATIONSHIP BETWEEN DISPLAY DATA AND GRAY-SCALE LEVEL

(1) GMODE = L

D _n	D _{n+1}	Gray Scale Level	Display State	Liquid-Crystal State	
0	0	0		OFF ↓ ON	Display OFF State
1	0	1			
0	1	2			
1	1	3			

(2) GMODE = H

D _n	D _{n+1}	Gray Scale Level	Display State	Liquid-Crystal State	
1	1	3		OFF ↓ ON	Display OFF State
0	1	2			
1	0	1			
0	0	0			

6. LSI PLACEMENT AND ADDRESS MANAGEMENT

Addresses can be managed to allow the use of a maximum of eight μPD16661A devices for configuring a liquid-crystal display of up to VGA size (480 × 640 dots).

Up to eight of these LSIs can be connected to the same data bus and to the /CS, /WE, and /OE pins, which are shared.

One screen of the liquid-crystal display can be treated as one memory area in the system, so it is not necessary to decode more than one μPD16661A device.

The PL0, PL1, and PL2 pins are used to specify the LSI No. and determine the LSI placement. The DIR pin is used to determine the direction (perpendicular, lateral) of the liquid-crystal display.

PL2	PL1	PL0	LSI No.
0	0	0	No. 0
0	0	1	No. 1
0	1	0	No. 2
0	1	1	No. 3
1	0	0	No. 4
1	0	1	No. 5
1	1	0	No. 6
1	1	1	No. 7

Landscape VGA size address DIR = "0"

Specified with A7 to A0
→

	Y8	Y160	Y8	Y160	Y8	Y160	Y8	Y160
	Y1	Y153	Y1	Y153	Y1	Y153	Y1	Y153
L1	00000	00026	00028	0004E	00050	00076	00078	0009E
L2	00100	00126	00128	0014E	00150	00176	00178	0019E
	No.0		No.2		No.4		No.6	
L239	0EE00	0EE26	0EE28	0EE4E	0EE50	0EE76	0EE78	0EE9E
L240	0EF00	0EF26	0EF28	0EF4E	0EF50	0EF76	0EF78	0EF9E
L1	0F000	0F026	0F028	0F04E	0F050	0F076	0F078	0F09E
L2	0F100	0F126	0F128	0F14E	0F150	0F176	0F178	0F19E
	No.1		No.3		No.5		No.7	
L239	1DE00	1DE26	1DE28	1DE4E	1DE50	1DE76	1DE78	1DE9E
L240	1DF00	1DF26	1DF28	1DF4E	1DF50	1DF76	1DF78	1DF9E
	Y153	Y1	Y153	Y1	Y153	Y1	Y153	Y1
	Y160	Y8	Y160	Y8	Y160	Y8	Y160	Y8

Specified with A16 to A8
↓

Portrait VGA size address

DIR = "1"

Specified with A16 to A8

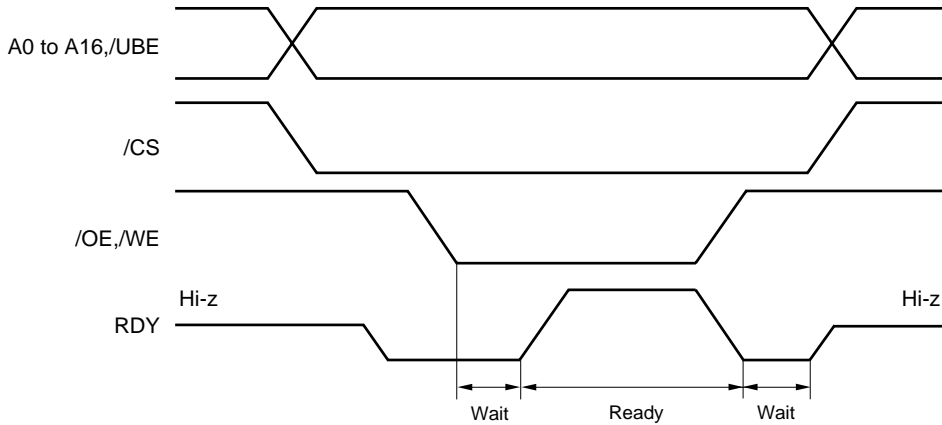
Specified with A7 to A0		Y160		Y8		Y160		Y8		Y160		Y8		Y160		Y8		Y160		Y8		Y160		Y8			
		Y153		Y1		Y153		Y1		Y153		Y1		Y153		Y1		Y153		Y1		Y153		Y1		Y153	
		L1	L2																								
		00000	00100	No.0		00026	00126	No.2		0004E	0014E	No.4		00076	00176	No.6		No.7		No.1		No.3		No.5		No.7	
		0EE00	0EF00			0EE28	0EF28			0EE4E	0EF4E			0EE76	0EF76												
		0F000	0F100			0F026	0F126			0F04E	0F14E			0F076	0F176												
		1DE00	1DF00			1DE26	1DF26			1DE4E	1DF4E			1DE76	1DF76												
		L239	L240			L239	L240			L239	L240			L239	L240												
		0009E	0019E			00078	00178			00050	00150			00028	00128												
		0EE9E	0EF9E			0EE78	0EF78			0EE50	0EF50			0EE28	0EF28												
		0F09E	0F19E			0F078	0F178			0F050	0F150			0F028	0F128												
		1DE9E	1DF9E			1DE78	1DF78			1DE50	1DF50			1DE28	1DF28												

7. CPU INTERFACE

7.1 Function of the RDY (Ready) pin

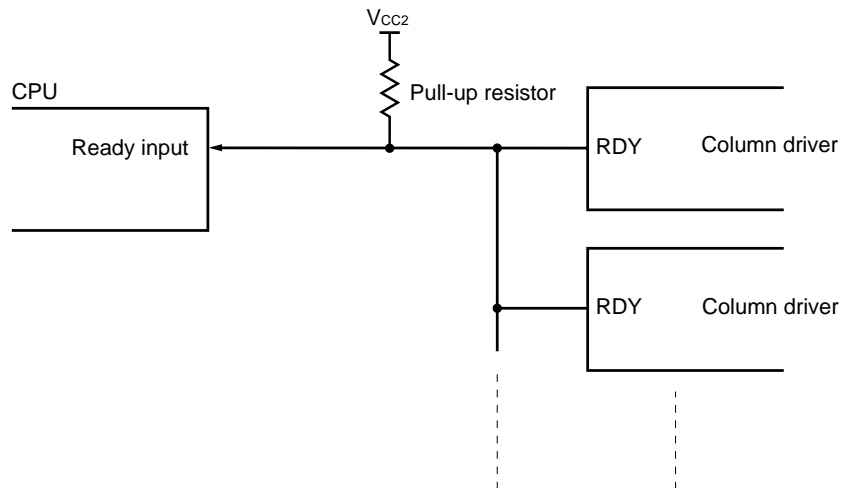
The on-chip RAM uses a single-port RAM. In order to avoid conflict between accessing from the CPU side and reading on the liquid-crystal drive side, the RDY pin performs a wait operation on the CPU.

★ **(1) Timing**



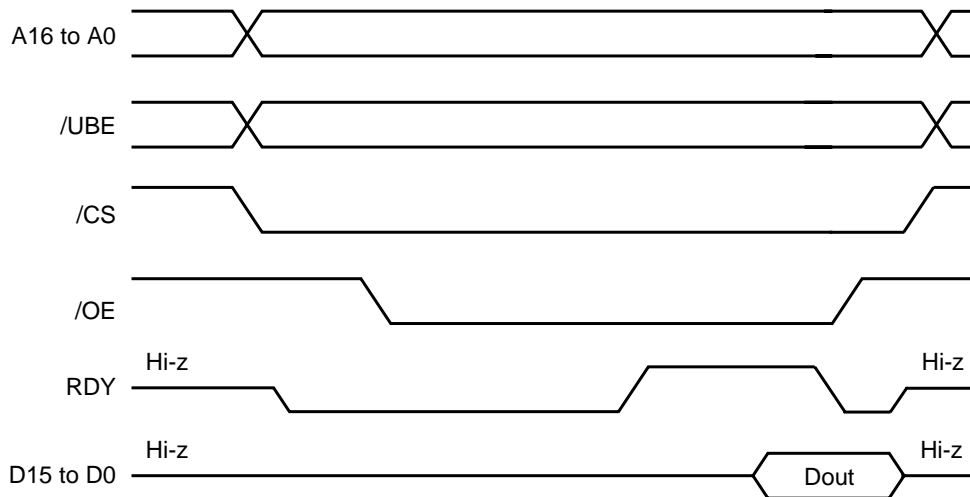
(2) Connection of the RDY pin

The RDY pin uses a 3-state buffer. Externally attach a pull-up resistor to the RDY pin. When more than one μPD16661A is used, wired-OR connect each LSI RDY pin.

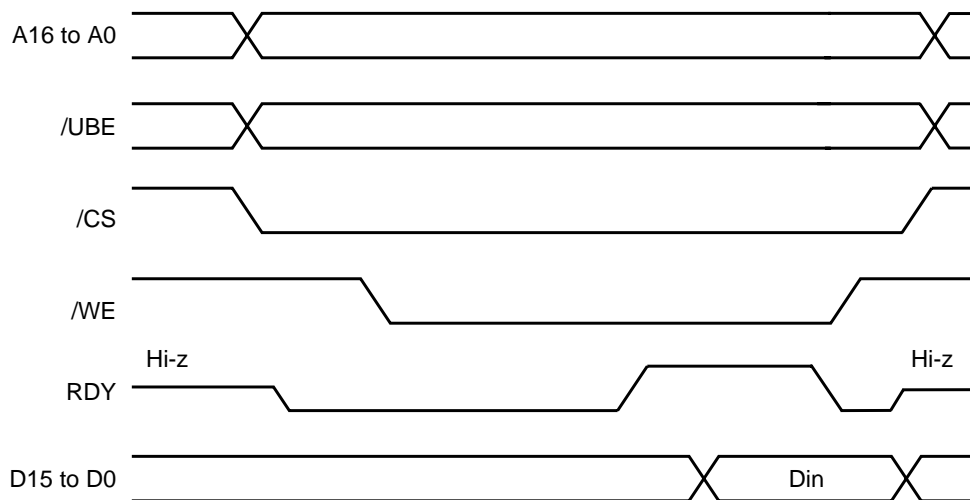


★ 7.2 Access timing

(1) Display data read timing



(2) Display data write timing

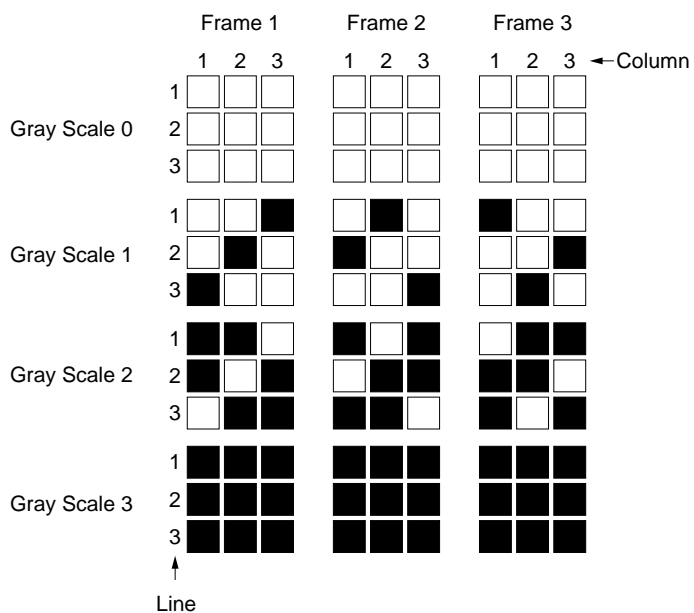


8. GRAY SCALE CONTROL

The four gray scales are expressed in terms of 3 thinning-out frames.

The thinning-out method is changed by 9 pixels: pixel numbers 1, 2, and 3, and line numbers 1, 2, and 3 of the liquid-crystal panel.

Frame thinning-out method

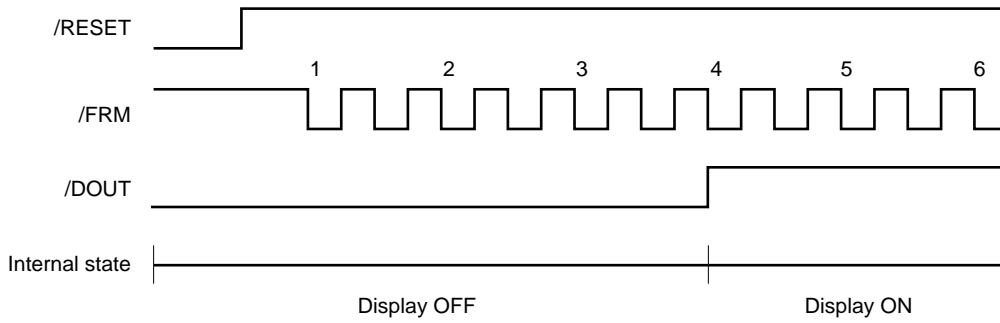


9. LIQUID-CRYSTAL TIMING GENERATION

9.1 Reset state

In the reset state, the internal counter is zero-cleared.

After the reset is released, the display OFF function operates during the 4-frame cycle, even if the /DOFF pin is at H.

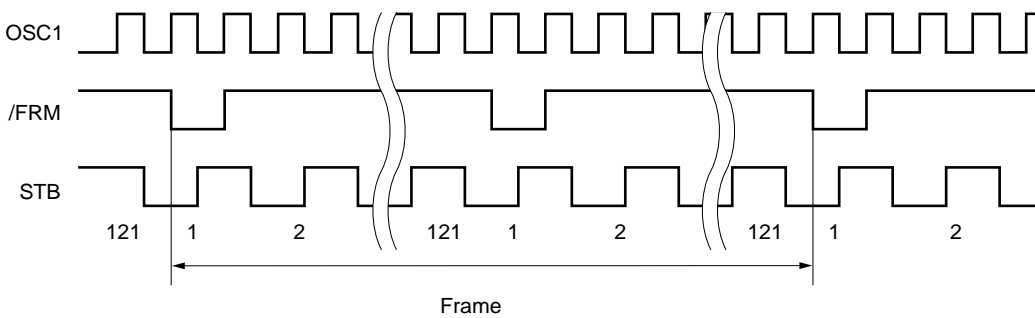


9.2 Liquid-crystal timing generation circuit

When the master mode is set with MS = H, this circuit generates the signals /FRM and STB at a duty ratio timing of 1/240. It also generates L1 and L2, which are the drive voltage selection signals for the row driver.

The /FRM signal is generated twice per frame. The STB signal is generated 121 times per half frame, or 242 times per frame.

Generation of /FRM & STB signals



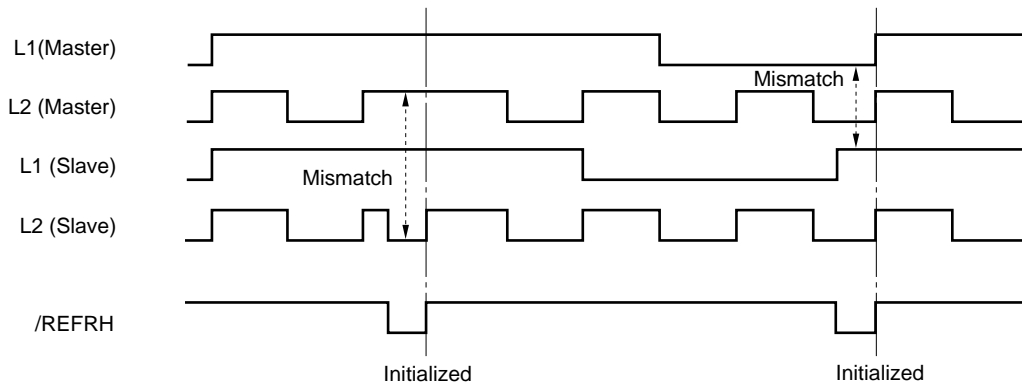
Generation of L1 and L2 signals

STB	1 2 3 4 ...	1 2 3 4 ...	1 2 3 4 ...	1 2 3 4 ...
L1	1 1 1 1 ...	1 1 1 1 ...	0 0 0 0 ...	0 0 0 0 ...
L2	1 0 1 0 ...	0 1 0 1 ...	0 1 0 1 ...	1 0 1 0 ...

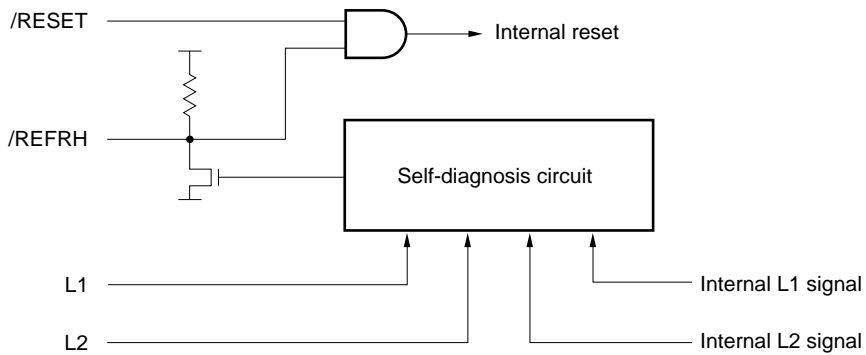
10. SELF-DIAGNOSIS FUNCTION

This is a function to check whether or not there has been a delay in the operation timing of each column driver caused by external noise, etc. The slave chip compares the L1 and L2 signals of the master chip with the L1 and L2 signals generated internally, and if a mismatch is discovered, the slave chip sends a refresh signal to all the column drivers. When the refresh signal is received, the internal reset is activated, and the timing is initialized. At this time, the display turns OFF while /REFRH = L and during the four frame cycle.

The L1 and L2 signals are checked for mismatch at the rising edge of /FRM once every half frame.



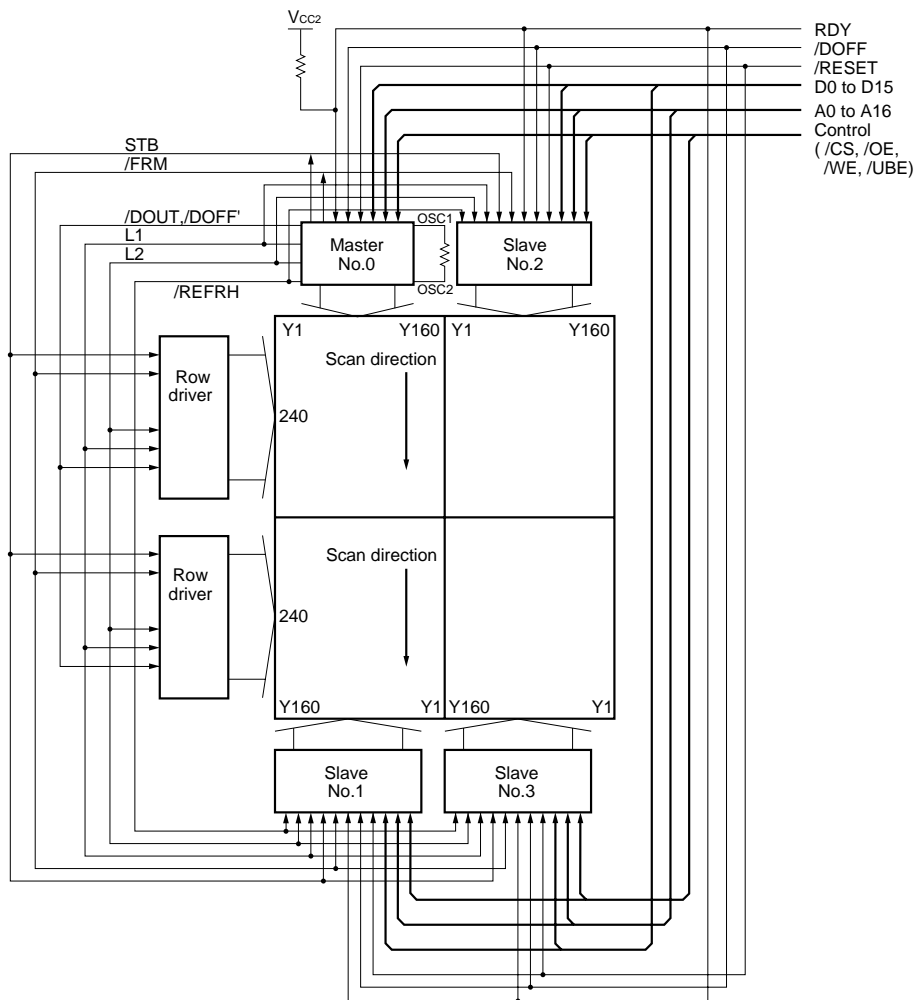
Block configuration diagram (Slave side)



11. SYSTEM CONFIGURATION EXAMPLE

This is an example of the configuration of a liquid-crystal panel of half VGA size (480 × 320, perpendicular) using four μPD16661A devices and two row drivers.

- Each column driver sets the LSI No. with the PL0, PL1, and PL2 pins.
- The DIR pin of each column driver is set to low.
- One of the column drivers only is set to master; all the others are set to slave. Signals are supplied from the master column driver to the slave column drivers and the row drivers.
- The OSC1 and OSC2 pins have an oscillator resistor attached on the master, and are left open on the slaves.
- All the signals from the system side (D0 to D15, A0 to A16, /CS, /OE, /WE, /UBE, RDY, /RESET, /DOFF) are connected in parallel to the column driver. A pull-up resistor is attached to the RDY signal.
- The TEST pin is used to test the LSI, and is left open or connected to the GND when the system is configured.



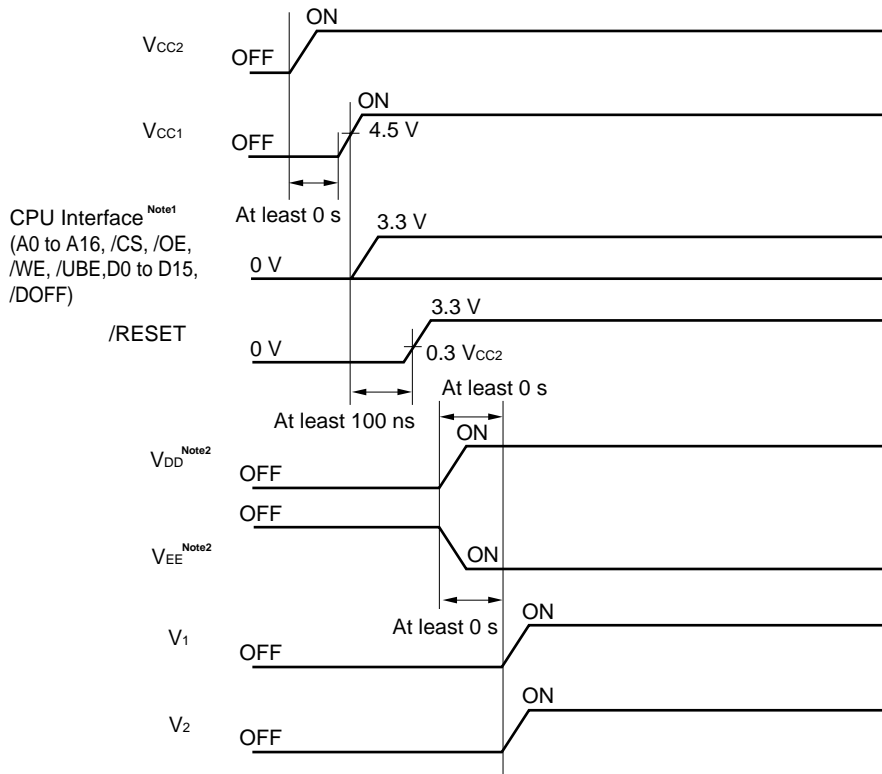
Remark /DOFF' is an input pin of row driver.

★ 12. CHIP SET POWER SUPPLY INPUT SEQUENCE

It is recommended that the power supply be input in the following way.

$V_{CC2} \rightarrow V_{CC1} \rightarrow \text{input} \rightarrow V_{DD}, V_{EE} \rightarrow V_1, V_2$

Make sure that the LCD drive voltages are input last.

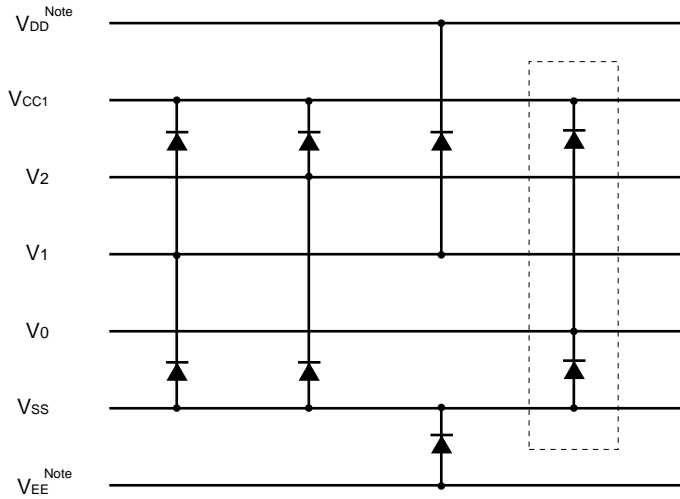


Notes 1. Inputting the selection pins (PL0, PL1, PL2, DIR, MS, BMODE) at the same time as the V_{CC2} pin is unproblematic.

2. It is not necessary to turn ON V_{DD} and V_{EE} at the same time.
V_{DD} and V_{EE} are the liquid-crystal power supplies of the row driver.

Caution Disconnection of the chip set power supply is done in the reverse order of the input sequence.

13. EXAMPLE OF THE CONFIGURATION OF THE MODULE – INTERNAL SCHOTTKY BARRIER DIODE FOR POWER SUPPLY PROTECTION REINFORCEMENT



Configure the diodes that are enclosed in the dotted lines when V_0 is not 0 V (GND).

★

Note V_{DD} and V_{EE} are the liquid-crystal power supplies of the row driver.

Remark Use the Schottky Barrier Diode at $V_f = 0.5$ V or less.

14. ELECTRICAL CHARACTERISTICS

Absolute maximum ratings (T_A = +25 °C)

Parameter	Symbol	Ratings	Unit	Remark
Supply voltage (1)	V _{CC1}	-0.5 to +6.5	V	Note1
Supply voltage (2)	V _{CC2}	-0.5 to +4.5	V	Note2
Input /Output voltage (1)	V _{I/O1}	-0.5 to V _{CC1} + 0.5	V	Note1
Input /Output voltage (2)	V _{I/O2}	-0.5 to V _{CC2} + 0.5	V	Note2
Input/ Output voltage (3)	V _{I/O3}	-0.5 to V _{CC1} + 0.5	V	Note3, Note4
Operating ambient temperature	T _A	-20 to +70	°C	
Storage temperature	T _{stg}	-40 to +125	°C	

Notes1. 5-V signals (/FRM, STB, /DOUT, L1, L2)

2. 3.3-V signals (MS, DIR, PL0 to PL2, A0 to A16, /CS, /OE, /WE, /UBE, RDY, D0 to D15, /RESET, OSC1, OSC2, /DOFF, TEST, GMODE, BMODE, /REFRH)
3. Liquid-crystal drive power supplies (V₀, V₁, V₂, Y1 to Y160)
4. Set V₀ < V₁ < V₂

Caution Product quality may suffer if the absolute maximum rating is exceeded even momentarily for any parameter. That is, the absolute maximum ratings are rated values at which the product is on the verge of suffering physical damage, and therefore the product must be used under conditions that ensure that the absolute maximum ratings are not exceeded.

Recommended operating range (T_A = -20 to +70 °C, V₀ = 0 V)

Parameter	Symbol	MIN.	TYP.	MAX.	Unit	Remark
Supply voltage (1)	V _{CC1}	4.5	5.0	5.5	V	
Supply voltage (2)	V _{CC2}	3.0	3.3	3.6	V	
Input voltage (1)	V _{I1}	0		V _{CC1}	V	Note1
Input voltage (2)	V _{I2}	0		V _{CC2}	V	Note2
V ₁ input voltage	V ₁	V ₀		V ₂	V	
V ₂ input voltage	V ₂	V ₁		V _{CC1}	V	
OSC external resistor	R _{osc}	300		700	kΩ	

Notes1. 5-V signals (/FRM, STB)

2. 3.3-V signals (MS, DIR, PL0 to PL2, A0 to A16, /CS, /OE, /WE, /UBE, RDY, D0 to D15, /RESET, OSC1, OSC2, /DOFF, TEST, GMODE, BMODE, /REFRH)

DC Characteristics

(Unless otherwise specified, $V_{CC1} = 4.5$ to 5.5 V, $V_{CC2} = 3.0$ to 3.6 V, $V_0 = 0$ V, $V_1 = 1.4$ to 2.0 V, $V_2 = 2.8$ to 4.0 V, $T_A = -20$ to $+70$ °C)

Parameter	Symbol	MIN.	TYP.	MAX.	Unit	Remark
High-level input voltage (1) V_{CC1}	V_{IH1}	$0.7 V_{CC1}$			V	Note1
Low-level input voltage (1) V_{CC1}	V_{IL1}			$0.3 V_{CC1}$	V	Note1
High-level input voltage (2) V_{CC2}	V_{IH2}	$0.7 V_{CC2}$			V	Note2
Low-level input voltage (2) V_{CC2}	V_{IL2}			$0.3 V_{CC2}$	V	Note2
High-level input voltage (2) V_{CC2}	V_{IH3}	$0.8 V_{CC2}$			V	Note4
Low-level input voltage (2) V_{CC2}	V_{IL3}			$0.2 V_{CC2}$	V	Note4
High-level output voltage (1) V_{CC1}	V_{OH1}	$V_{CC1} - 0.4$			V	$I_{OH} = -1$ mA, Note3
Low-level output voltage (1) V_{CC1}	V_{OL1}			0.4	V	$I_{OL} = 2$ mA, Note3
High-level output voltage (2) V_{CC1}	V_{OH2}	$V_{CC1} - 0.4$			V	$I_{OH} = -2$ mA, Note1
Low-level output voltage (2) V_{CC1}	V_{OL2}			0.4	V	$I_{OL} = 4$ mA, Note1
High-level output voltage (3) V_{CC2}	V_{OH3}	$V_{CC2} - 0.4$			V	$I_{OH} = -1$ mA, Note4
Low-level output voltage (3) V_{CC2}	V_{OL3}			0.4	V	$I_{OL} = 2$ mA, Note4
Input leakage current (1)	I_{I1}			± 10	μ A	Other than TEST pin, $V_1 = V_{CC2}$ or GND
Input leakage current (2)	I_{I2}	10	40	100	μ A	Pull-down (TEST pin), $V_1 = V_{CC2}$
Current consumption for display operation (1)	I_{MAS1}			40	μ A	Master, V_{CC1} , Note5
Current consumption for display operation (2)	I_{MAS2}			150	μ A	Master, V_{CC2} , Note5
Current consumption for display operation (3)	I_{SLV1}			30	μ A	Slave, V_{CC1} , Note5
Current consumption for display operation (4)	I_{SLV2}			100	μ A	Slave, V_{CC2} , Note5
Liquid-crystal driving output ON resistance	R_{ON}		1	2	k Ω	Note6

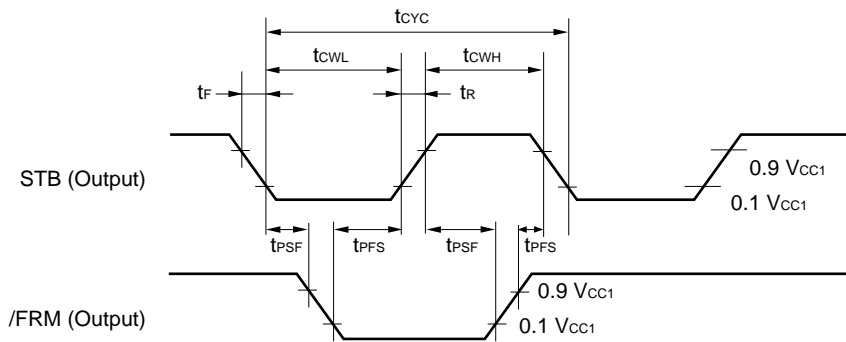
- Notes**
- 5-V signals (/FRM, STB,L1,L2)
 - 3.3-V signals (MS, DIR, PL0 to PL2, A0 to A16, /CS, /OE, /WE, /UBE, RDY, D0 to D15, /RESET, /DOFF, TEST, GMODE, BMODE)
 - /DOUT pin
 - D0 to D15, RDY, and OSC2 pins
 - When the frame frequency is 70 Hz, and the output and CPU are without load and access respectively. (D0 to D15, A0 to A16, and /UBE = GND, and /CS, /OE, and /WE = V_{CC2})
 - This is the resistance value between a Y pin and a V pin (V_0 , V_1 , or V_2) when the load current ($I_{ON} = 100$ μ A) is passed to a pin of Y1 to Y160.

AC Characteristics 1 Display data transfer timing

Master mode

(Unless otherwise specified, $V_{CC1} = 4.5$ to 5.5 V, $V_{CC2} = 3.0$ to 3.6 V, $V_0 = 0$ V, $V_1 = 1.4$ to 2.0 V, $V_2 = 2.8$ to 4.0 V, $T_A = -20$ to $+70$ °C, Frame frequency : 70 Hz ($f_{osc} = 33.88$ kHz), Output load : 100 pF)

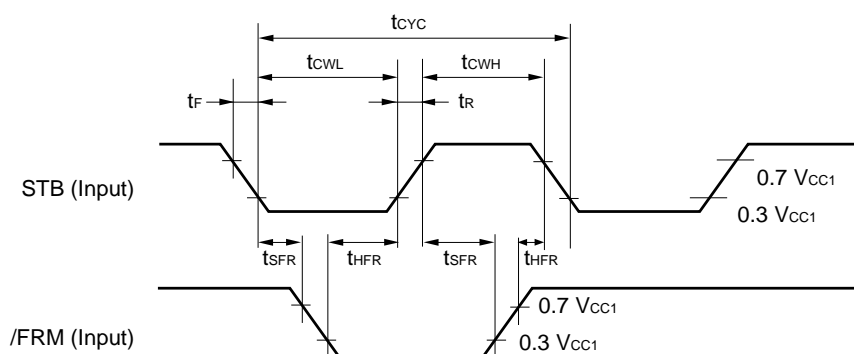
Parameter	Symbol	MIN.	TYP.	MAX.	Unit	Remark
STB Clock cycle time	t_{CYC}	58	$2/f_{osc}$		μ s	
STB High-level width	t_{CWH}	28	$1/f_{osc}$		μ s	
STB Low-level width	t_{CWL}	28	$1/f_{osc}$		μ s	
STB Rise time	t_r			100	ns	
STB Fall time	t_f			100	ns	
STB - /FRM Delay time	t_{PSF}	12			μ s	
/FRM - STB Delay time	t_{PFS}	12			μ s	



Slave mode

(Unless otherwise specified, $V_{CC1} = 4.5$ to 5.5 V, $V_{CC2} = 3.0$ to 3.6 V, $V_0 = 0$ V, $V_1 = 1.4$ to 2.0 V, $V_2 = 2.8$ to 4.0 V, $T_A = -20$ to $+70$ °C)

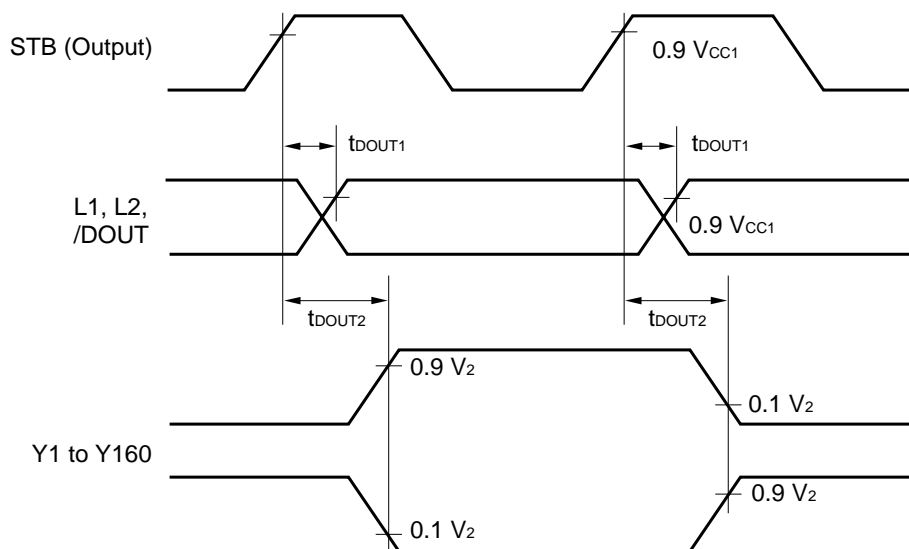
Parameter	Symbol	MIN.	TYP.	MAX.	Unit	Remark
STB Clock cycle time	t_{CYC}	10			μs	
STB High-level width	t_{CWH}	4			μs	
STB Low-level width	t_{CWL}	4			μs	
STB Rise time	t_r			150	ns	
STB Fall time	t_f			150	ns	
/FRM Setup time	t_{SFR}	1			μs	
/FRM Hold time	t_{HFR}	1			μs	



Master/Slave common items

(Unless otherwise specified, $V_{CC1} = 4.5$ to 5.5 V, $V_{CC2} = 3.0$ to 3.6 V, $V_0 = 0$ V, $V_1 = 1.4$ to 2.0 V, $V_2 = 2.8$ to 4.0 V, $T_A = -20$ to $+70$ °C)

Parameter	Symbol	MIN.	TYP.	MAX.	Unit	Remark
Output delay time (L1, L2, /DOUT)	t _{DOUT1}		50	100	ns	Output without load
Output delay time (Y1 to Y160)	t _{DOUT2}		90	150	ns	Output without load



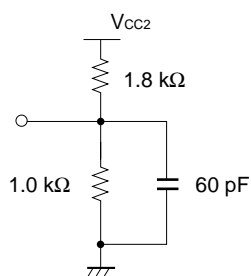
AC Characteristics 2 Graphic access timing

(Unless otherwise specified, $V_{CC1} = 4.5$ to 5.5 V, $V_{CC2} = 3.0$ to 3.6 V, $V_0 = 0$ V, $V_1 = 1.4$ to 2.0 V, $V_2 = 2.8$ to 4.0 V, $T_A = -20$ to $+70$ °C, $t_r = t_f = 5$ ns, frame frequency : 70 Hz ($f_{osc} = 33.88$ kHz))

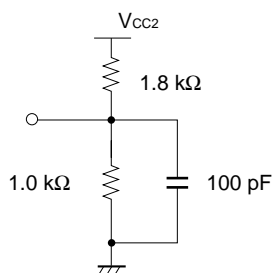
★
★

Parameter	Symbol	MIN.	TYP.	MAX.	Unit	Remark
/OE-/WE Recovery time	t_{RY}	30			ns	
Address setup time	t_{AS}	10			ns	
Address hold time	t_{AH}	20			ns	
RDY Output delay time	t_{RYR}			30	ns	$C_L = 15$ pF
RDY Float time	t_{RYZ}			30	ns	Note3
Wait state time	t_{RYW}			35	ns	Note1
Ready state time (Without Contention)	t_{RYF1}		60	100	ns	Note1
Ready state time (With Contention)	t_{RYF2}		650	1200	ns	Note1
Data access time (Read cycle)	t_{ACS}			100	ns	Note2
Data float time (Read cycle)	t_{HZ}			40	ns	Note3
/CS-/OE Time (Read cycle)	t_{CSOE}	10			ns	
/OE-/CS Time (Read cycle)	t_{OECS}	20			ns	
Write pulse width (Write cycle)	t_{WP}	50			ns	Note1
Data setup time (Write cycle)	t_{DW}	20			ns	
Data hold time (Write cycle)	t_{DH}	20			ns	
/CS-/WE Time (Write cycle)	t_{CSWE}	10			ns	
/WE-/CS Time (Write cycle)	t_{WECS}	20			ns	
Reset pulse width	t_{WRES}	100			ns	
RDY-/OE Time	t_{RDOE}			Note4	—	
RDY-/WE Time	t_{RDWE}			Note4	—	

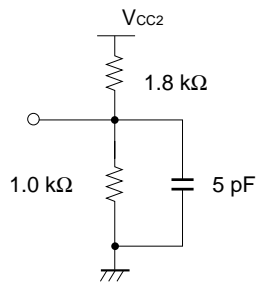
Notes 1. Load circuit



2. Load circuit

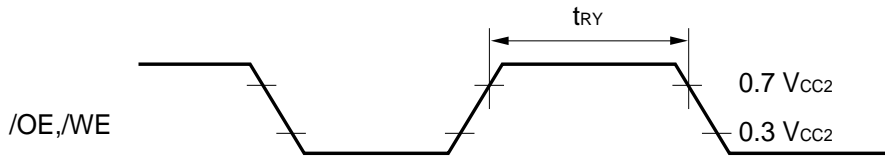


★ 3. Load circuit

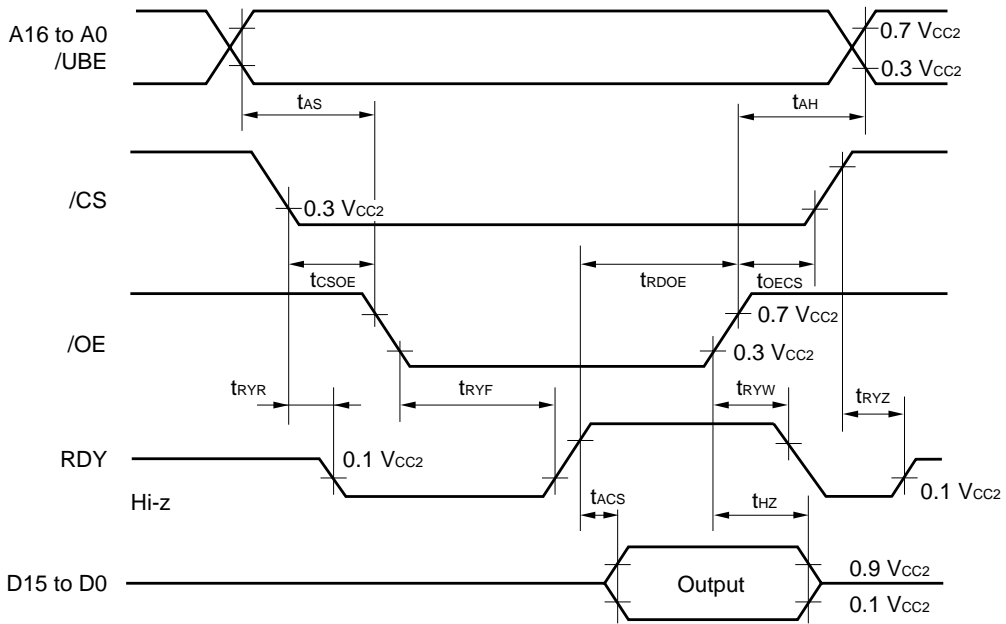


4. The display may be affected if there is a long time from the rise of RDY to the /OE or /WE signals. It is recommended that t_{RDOE} and t_{RDWE} are 1000 ns or less.

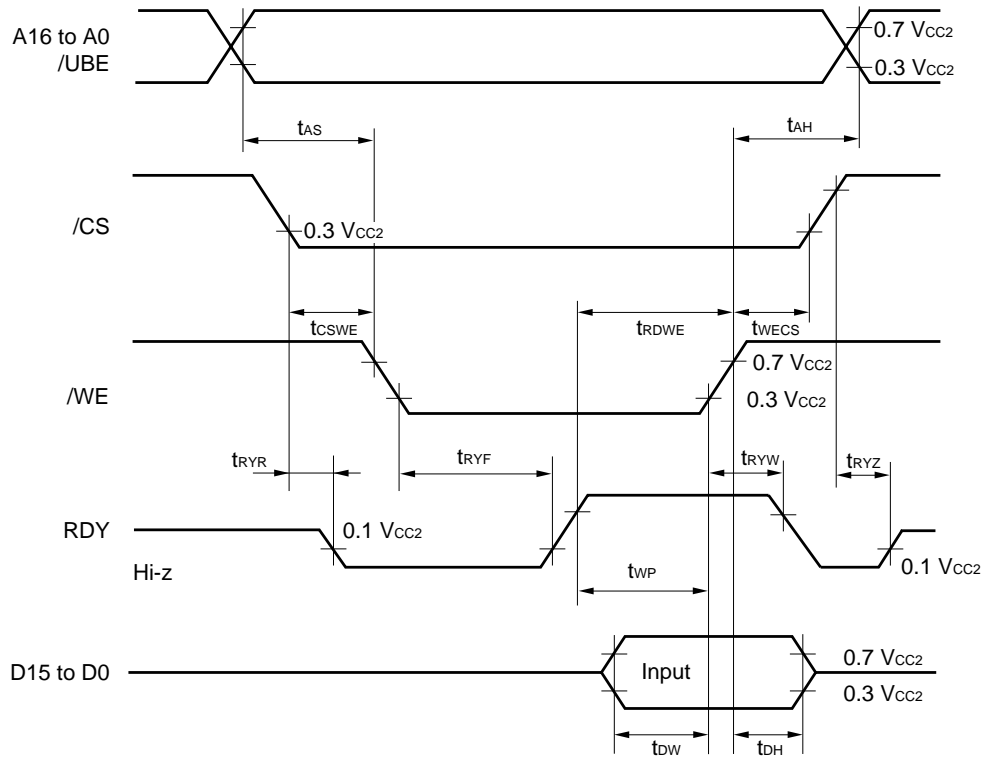
/OE,/WE Recovery time



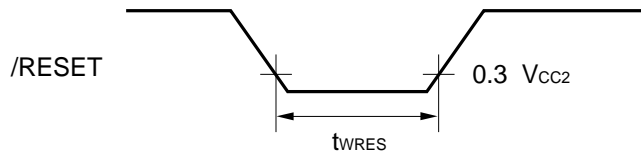
★ **Read cycle**



★ Write cycle



★ Reset pulse width



AC Characteristics 3 CR Oscillator

(V_{CC2} = 3.0 to 3.6 V, T_A = -20 to +70 °C)

Parameter	Symbol	MIN.	TYP.	MAX.	Unit	Remark
Oscillation Frequency	f _{osc}	32	36	40	kHz	External resistor 350 kΩ
Frame Frequency	—	66.1	74.4	82.6	Hz	External resistor 350 kΩ

15. RELATIONSHIP BETWEEN THE OSCILLATION , FRAME , AND STB FREQUENCIES

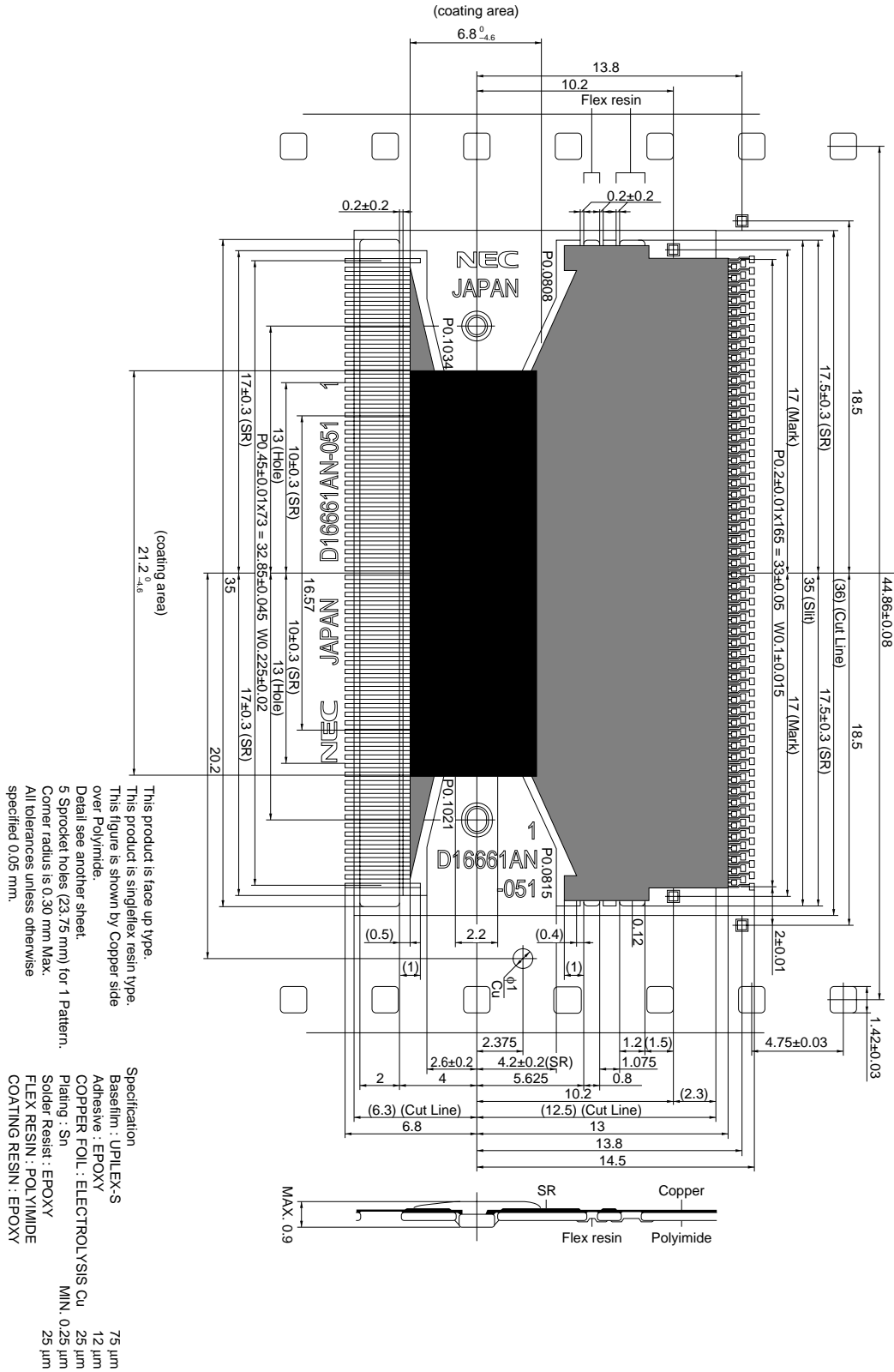
This relationship is as follows:

$$\text{Frame frequency} = \frac{1}{242 \times 2} \times \text{Oscillation frequency}$$

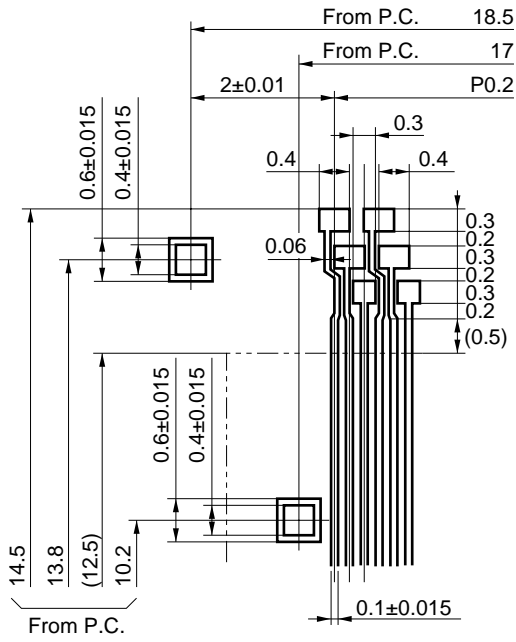
$$\text{STB frequency} = \frac{1}{2} \times \text{Oscillation frequency}$$

★ 16. PACKAGE DRAWING

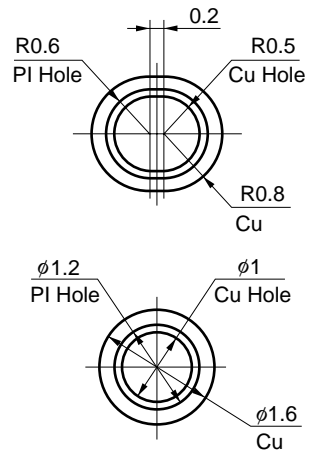
Standard TCP package drawing (μPD16661AN-051)



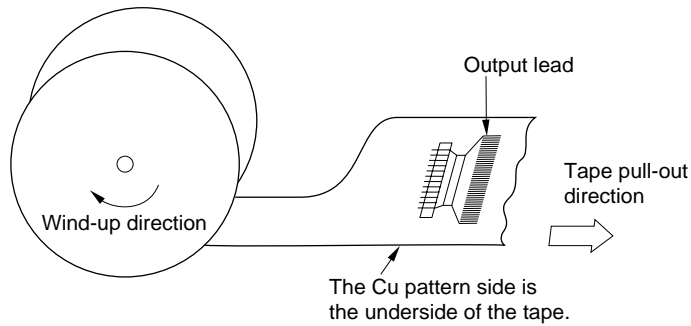
Test pad and alignment mark details (x20)



Alignment hole details (x20)

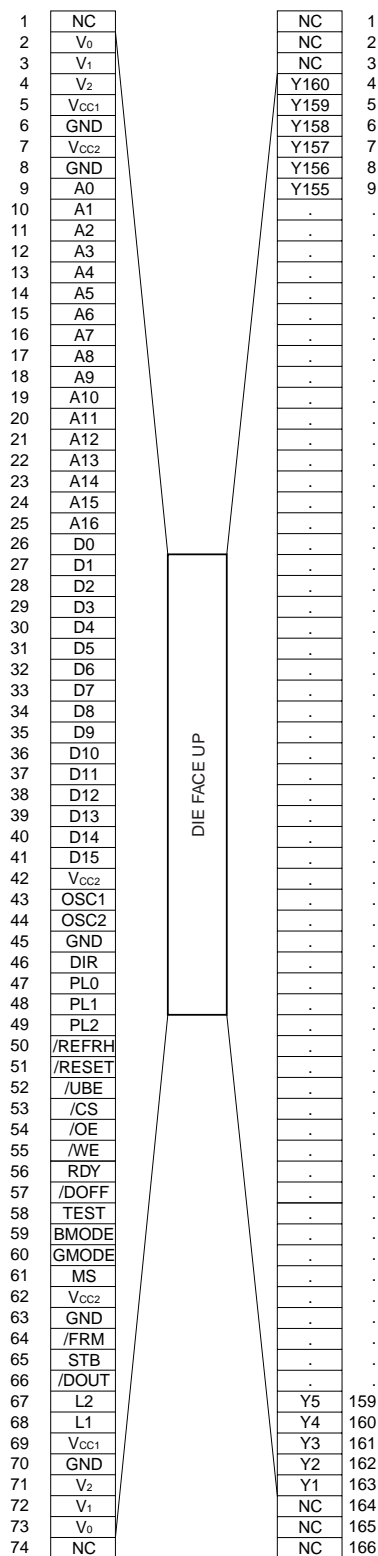


TCP tape winding direction



Standard TCP package drawing (μPD16661AN-051)

Pin connection diagram



NOTES FOR CMOS DEVICES

① PRECAUTION AGAINST ESD FOR SEMICONDUCTORS

Note: Strong electric field, when exposed to a MOS device, can cause destruction of the gate oxide and ultimately degrade the device operation. Steps must be taken to stop generation of static electricity as much as possible, and quickly dissipate it once, when it has occurred. Environmental control must be adequate. When it is dry, humidifier should be used. It is recommended to avoid using insulators that easily build static electricity. Semiconductor devices must be stored and transported in an anti-static container, static shielding bag or conductive material. All test and measurement tools including work bench and floor should be grounded. The operator should be grounded using wrist strap. Semiconductor devices must not be touched with bare hands. Similar precautions need to be taken for PW boards with semiconductor devices on it.

② HANDLING OF UNUSED INPUT PINS FOR CMOS

Note: No connection for CMOS device inputs can be cause of malfunction. If no connection is provided to the input pins, it is possible that an internal input level may be generated due to noise, etc., hence causing malfunction. CMOS devices behave differently than Bipolar or NMOS devices. Input levels of CMOS devices must be fixed high or low by using a pull-up or pull-down circuitry. Each unused pin should be connected to V_{DD} or GND with a resistor, if it is considered to have a possibility of being an output pin. All handling related to the unused pins must be judged device by device and related specifications governing the devices.

③ STATUS BEFORE INITIALIZATION OF MOS DEVICES

Note: Power-on does not necessarily define initial status of MOS device. Production process of MOS does not define the initial operation status of the device. Immediately after the power source is turned ON, the devices with reset function have not yet been initialized. Hence, power-on does not guarantee out-pin levels, I/O settings or contents of registers. Device is not initialized until the reset signal is received. Reset operation must be executed immediately after power-on for devices having reset function.

The application circuits and their parameters are for reference only and are not intended for use in actual design-ins.

No part of this document may be copied or reproduced in any form or by any means without the prior written consent of NEC Corporation. NEC Corporation assumes no responsibility for any errors which may appear in this document.

NEC Corporation does not assume any liability for infringement of patents, copyrights or other intellectual property rights of third parties by or arising from use of a device described herein or any other liability arising from use of such device. No license, either express, implied or otherwise, is granted under any patents, copyrights or other intellectual property rights of NEC Corporation or others.

While NEC Corporation has been making continuous effort to enhance the reliability of its semiconductor devices, the possibility of defects cannot be eliminated entirely. To minimize risks of damage or injury to persons or property arising from a defect in an NEC semiconductor device, customers must incorporate sufficient safety measures in its design, such as redundancy, fire-containment, and anti-failure features.

NEC devices are classified into the following three quality grades:

"Standard", "Special", and "Specific". The Specific quality grade applies only to devices developed based on a customer designated "quality assurance program" for a specific application. The recommended applications of a device depend on its quality grade, as indicated below. Customers must check the quality grade of each device before using it in a particular application.

Standard: Computers, office equipment, communications equipment, test and measurement equipment, audio and visual equipment, home electronic appliances, machine tools, personal electronic equipment and industrial robots

Special: Transportation equipment (automobiles, trains, ships, etc.), traffic control systems, anti-disaster systems, anti-crime systems, safety equipment and medical equipment (not specifically designed for life support)

Specific: Aircrafts, aerospace equipment, submersible repeaters, nuclear reactor control systems, life support systems or medical equipment for life support, etc.

The quality grade of NEC devices is "Standard" unless otherwise specified in NEC's Data Sheets or Data Books. If customers intend to use NEC devices for applications other than those specified for Standard quality grade, they should contact an NEC sales representative in advance.

Anti-radioactive design is not implemented in this product.