

To our customers,

Old Company Name in Catalogs and Other Documents

On April 1st, 2010, NEC Electronics Corporation merged with Renesas Technology Corporation, and Renesas Electronics Corporation took over all the business of both companies. Therefore, although the old company name remains in this document, it is a valid Renesas Electronics document. We appreciate your understanding.

Renesas Electronics website: <http://www.renesas.com>

April 1st, 2010
Renesas Electronics Corporation

Issued by: Renesas Electronics Corporation (<http://www.renesas.com>)

Send any inquiries to <http://www.renesas.com/inquiry>.

Notice

1. All information included in this document is current as of the date this document is issued. Such information, however, is subject to change without any prior notice. Before purchasing or using any Renesas Electronics products listed herein, please confirm the latest product information with a Renesas Electronics sales office. Also, please pay regular and careful attention to additional and different information to be disclosed by Renesas Electronics such as that disclosed through our website.
2. Renesas Electronics does not assume any liability for infringement of patents, copyrights, or other intellectual property rights of third parties by or arising from the use of Renesas Electronics products or technical information described in this document. No license, express, implied or otherwise, is granted hereby under any patents, copyrights or other intellectual property rights of Renesas Electronics or others.
3. You should not alter, modify, copy, or otherwise misappropriate any Renesas Electronics product, whether in whole or in part.
4. Descriptions of circuits, software and other related information in this document are provided only to illustrate the operation of semiconductor products and application examples. You are fully responsible for the incorporation of these circuits, software, and information in the design of your equipment. Renesas Electronics assumes no responsibility for any losses incurred by you or third parties arising from the use of these circuits, software, or information.
5. When exporting the products or technology described in this document, you should comply with the applicable export control laws and regulations and follow the procedures required by such laws and regulations. You should not use Renesas Electronics products or the technology described in this document for any purpose relating to military applications or use by the military, including but not limited to the development of weapons of mass destruction. Renesas Electronics products and technology may not be used for or incorporated into any products or systems whose manufacture, use, or sale is prohibited under any applicable domestic or foreign laws or regulations.
6. Renesas Electronics has used reasonable care in preparing the information included in this document, but Renesas Electronics does not warrant that such information is error free. Renesas Electronics assumes no liability whatsoever for any damages incurred by you resulting from errors in or omissions from the information included herein.
7. Renesas Electronics products are classified according to the following three quality grades: “Standard”, “High Quality”, and “Specific”. The recommended applications for each Renesas Electronics product depends on the product’s quality grade, as indicated below. You must check the quality grade of each Renesas Electronics product before using it in a particular application. You may not use any Renesas Electronics product for any application categorized as “Specific” without the prior written consent of Renesas Electronics. Further, you may not use any Renesas Electronics product for any application for which it is not intended without the prior written consent of Renesas Electronics. Renesas Electronics shall not be in any way liable for any damages or losses incurred by you or third parties arising from the use of any Renesas Electronics product for an application categorized as “Specific” or for which the product is not intended where you have failed to obtain the prior written consent of Renesas Electronics. The quality grade of each Renesas Electronics product is “Standard” unless otherwise expressly specified in a Renesas Electronics data sheets or data books, etc.
 - “Standard”: Computers; office equipment; communications equipment; test and measurement equipment; audio and visual equipment; home electronic appliances; machine tools; personal electronic equipment; and industrial robots.
 - “High Quality”: Transportation equipment (automobiles, trains, ships, etc.); traffic control systems; anti-disaster systems; anti-crime systems; safety equipment; and medical equipment not specifically designed for life support.
 - “Specific”: Aircraft; aerospace equipment; submersible repeaters; nuclear reactor control systems; medical equipment or systems for life support (e.g. artificial life support devices or systems), surgical implantations, or healthcare intervention (e.g. excision, etc.), and any other applications or purposes that pose a direct threat to human life.
8. You should use the Renesas Electronics products described in this document within the range specified by Renesas Electronics, especially with respect to the maximum rating, operating supply voltage range, movement power voltage range, heat radiation characteristics, installation and other product characteristics. Renesas Electronics shall have no liability for malfunctions or damages arising out of the use of Renesas Electronics products beyond such specified ranges.
9. Although Renesas Electronics endeavors to improve the quality and reliability of its products, semiconductor products have specific characteristics such as the occurrence of failure at a certain rate and malfunctions under certain use conditions. Further, Renesas Electronics products are not subject to radiation resistance design. Please be sure to implement safety measures to guard them against the possibility of physical injury, and injury or damage caused by fire in the event of the failure of a Renesas Electronics product, such as safety design for hardware and software including but not limited to redundancy, fire control and malfunction prevention, appropriate treatment for aging degradation or any other appropriate measures. Because the evaluation of microcomputer software alone is very difficult, please evaluate the safety of the final products or system manufactured by you.
10. Please contact a Renesas Electronics sales office for details as to environmental matters such as the environmental compatibility of each Renesas Electronics product. Please use Renesas Electronics products in compliance with all applicable laws and regulations that regulate the inclusion or use of controlled substances, including without limitation, the EU RoHS Directive. Renesas Electronics assumes no liability for damages or losses occurring as a result of your noncompliance with applicable laws and regulations.
11. This document may not be reproduced or duplicated, in any form, in whole or in part, without prior written consent of Renesas Electronics.
12. Please contact a Renesas Electronics sales office if you have any questions regarding the information contained in this document or Renesas Electronics products, or if you have any other inquiries.

(Note 1) “Renesas Electronics” as used in this document means Renesas Electronics Corporation and also includes its majority-owned subsidiaries.

(Note 2) “Renesas Electronics product(s)” means any product developed or manufactured by or for Renesas Electronics.

MOS INTEGRATED CIRCUIT
 μ PD16520, 16520A

VERTICAL DRIVER FOR CCD SENSORS

DESCRIPTION

The μ PD16520 and μ PD16520A are vertical drivers for CCD image sensors that have a level conversion circuit and a 3-level output function. Since it incorporates a CCD vertical register driver equivalent to the μ PD16510 (10 channels, consisting of six 3-level channels and four 2-level channels) and a VOD shutter driver (1 channel), it is ideal as a vertical driver for multiple-electrode high-pixel CCD transfer type area image sensors employed in digital still cameras.

The μ PD16520 and μ PD16520A use a CMOS process to achieve optimum transmission delay characteristics for vertical driving of CCD image sensors, as well as output on-state resistance characteristics. The μ PD16520 and μ PD16520A also support low-voltage logic (logic power supply voltage: 2.0 to 5.5 V).

FEATURES

- CCD vertical register driver: 10 channels (3-level: 6 channels, 2-level: 4 channels)
- VOD shutter driver: 1 channel
- High withstanding voltage: 33 V MAX.
- Low-output on-state resistance: 30 Ω TYP.
- Low-voltage input supported (Logic power supply voltage: 2.0 to 5.5 V)
- Latch-up free
- Same drive capacity as μ PD16510
- Small package: 38-pin plastic SSOP (7.62 mm (300))
- Super small package: 42-pin wafer level CSP

APPLICATIONS

Digital still cameras, digital video cameras, etc.

ORDERING INFORMATION

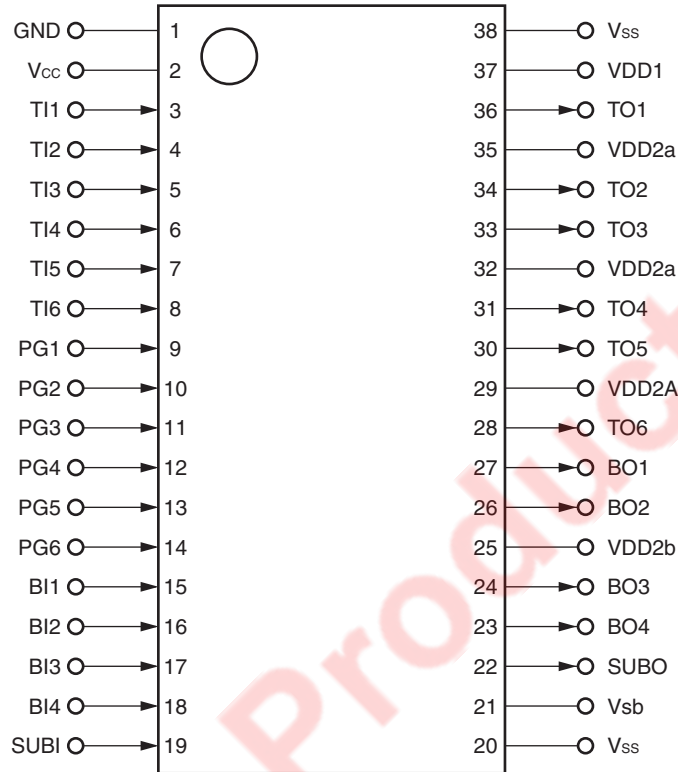
Part Number	Package
μ PD16520GS-BGG	38-pin plastic SSOP (7.62 mm (300))
μ PD16520AFH-2Q1	42-pin wafer level CSP

The information in this document is subject to change without notice. Before using this document, please confirm that this is the latest version.
 Not all products and/or types are available in every country. Please check with an NEC Electronics sales representative for availability and additional information.

1. PIN CONFIGURATION

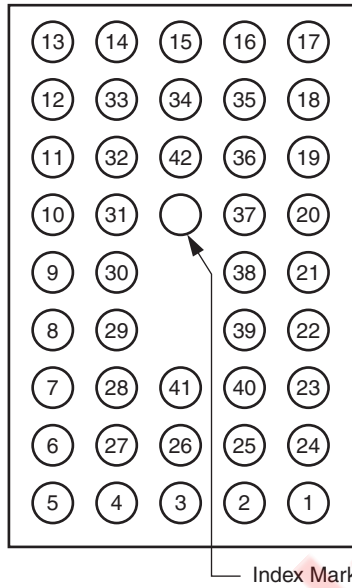
(1) 38-pin plastic SSOP (7.62 mm (300))

μ PD16520GS-BGG (Top view)



(2) 42-pin wafer level CSP

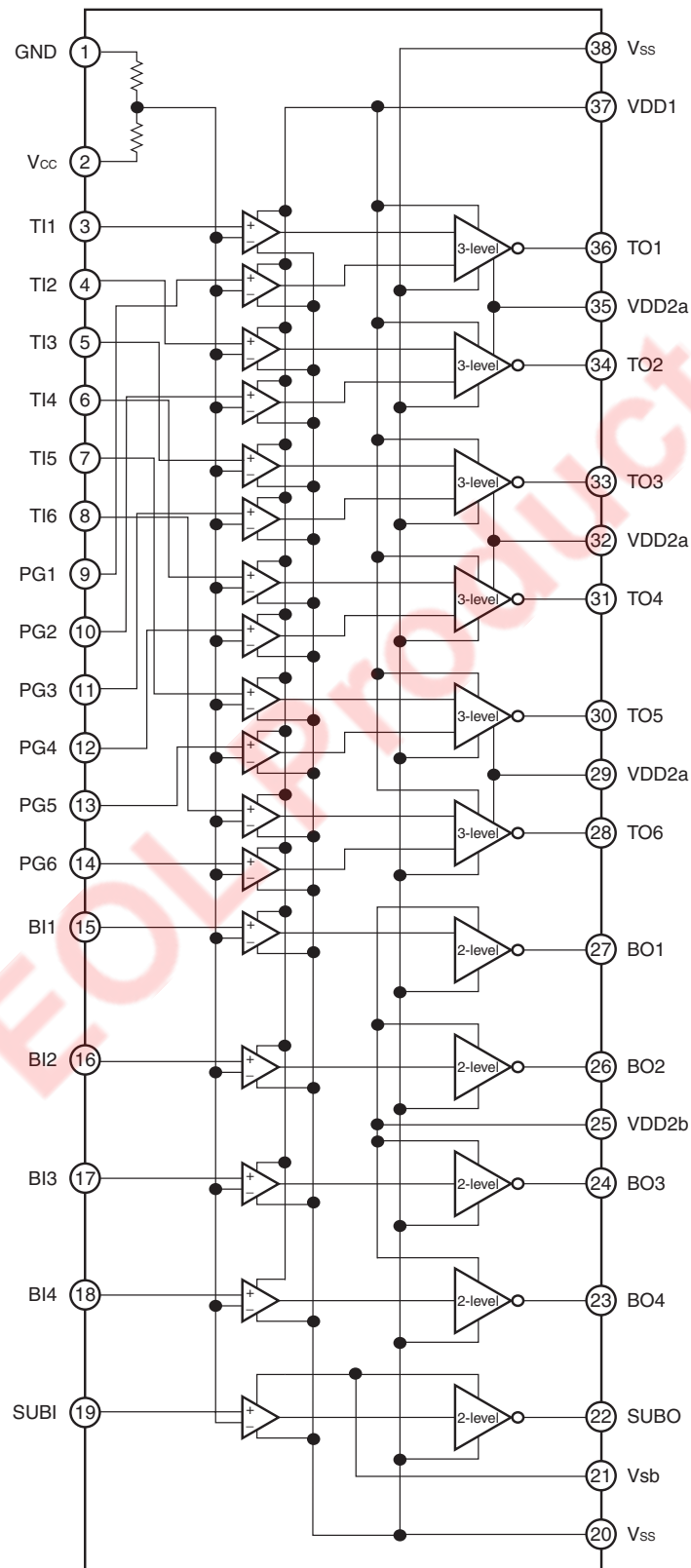
μ PD16520AFH-2Q1 (Bottom view)



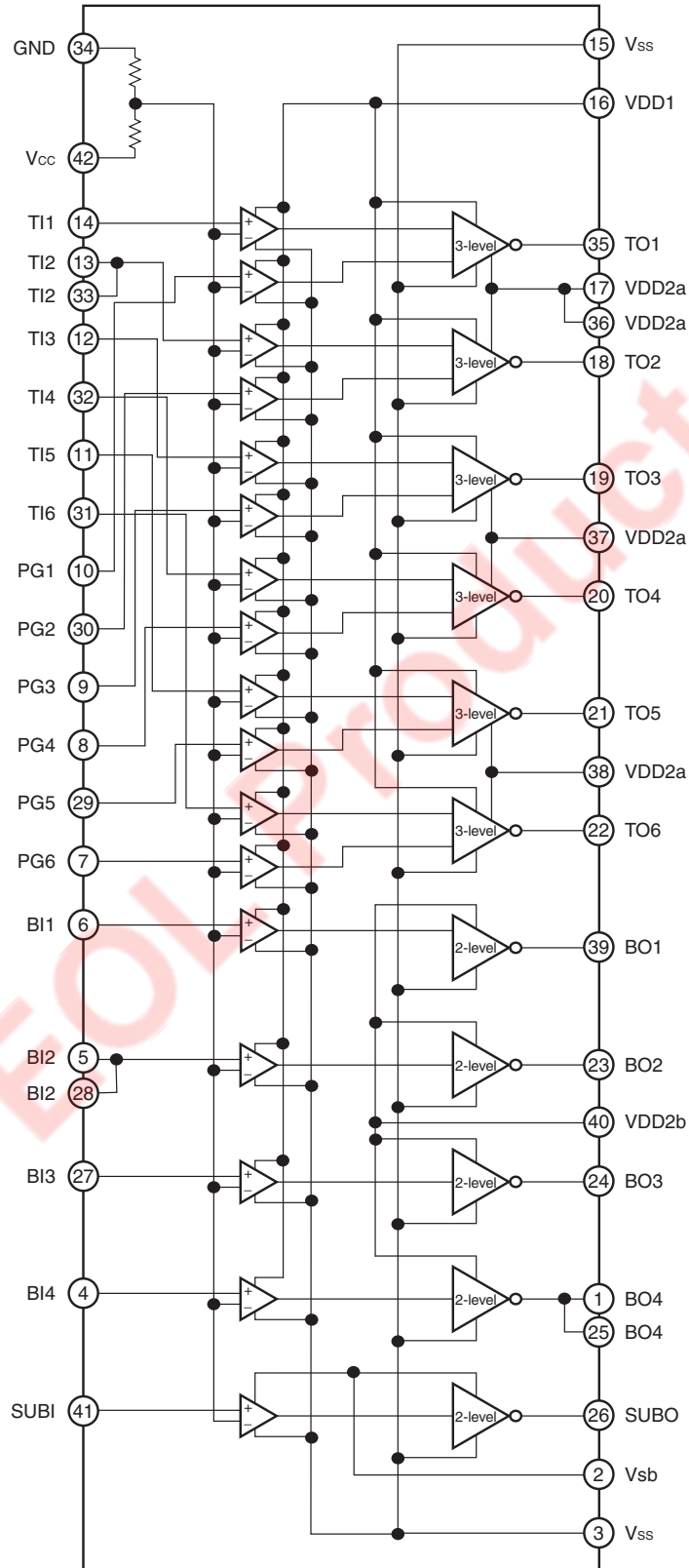
Pin No.	Pin Name	Pin No.	Pin Name	Pin No.	Pin Name
1	BO4	15	V _{ss}	29	PG5
2	V _{sb}	16	VDD1	30	PG2
3	V _{ss}	17	VDD2a	31	TI6
4	BI4	18	TO2	32	TI4
5	BI2	19	TO3	33	TI2
6	BI1	20	TO4	34	GND
7	PG6	21	TO5	35	TO1
8	PG4	22	TO6	36	VDD2a
9	PG3	23	BO2	37	VDD2a
10	PG1	24	BO3	38	VDD2a
11	TI5	25	BO4	39	BO1
12	TI3	26	SUBO	40	VDD2b
13	TI2	27	BI3	41	SUBI
14	TI1	28	BI2	42	V _{cc}

2. BLOCK DIAGRAM

(1) μ PD16520GS-BGG



(2) μ PD16520AFH-2Q1



3. PIN FUNCTIONS

(1) μ PD16520GS-BGG

Pin No.	Pin Name	I/O	Function
1	GND	–	Ground
2	V _{CC}	–	Logic power supply
3	TI1	Input	3-level driver input (for charge transfer) (Refer to 4. FUNCTION TABLES.)
4	TI2	Input	
5	TI3	Input	
6	TI4	Input	
7	TI5	Input	
8	TI6	Input	
9	PG1	Input	3-level driver input (for charge read) (Refer to 4. FUNCTION TABLES.)
10	PG2	Input	
11	PG3	Input	
12	PG4	Input	
13	PG5	Input	
14	PG6	Input	
15	BI1	Input	2-level driver input (for charge transfer) (Refer to 4. FUNCTION TABLES.)
16	BI2	Input	
17	BI3	Input	
18	BI4	Input	
19	SUBI	Input	VOD shutter drive pulse input
20	V _{SS}	–	V _L power supply
21	V _{sb}	–	V _{HH} power supply (for SUB drive)
22	SUBO	Output	VOD shutter drive pulse output
23	BO4	Output	2-level pulse output
24	BO3	Output	
25	VDD2b	–	V _{Mb} power supply (for 2-level driver)
26	BO2	Output	2-level pulse output
27	BO1	Output	
28	TO6	Output	3-level pulse output
29	VDD2a	–	V _{Ma} power supply (for 3-level driver)
30	TO5	Output	3-level pulse output
31	TO4	Output	
32	VDD2a	–	V _{Ma} power supply (for 3-level driver)
33	TO3	Output	3-level pulse output
34	TO2	Output	
35	VDD2a	–	V _{Ma} power supply (for 3-level driver)
36	TO1	Output	3-level pulse output
37	VDD1	–	V _H power supply
38	V _{SS}	–	V _L power supply

(2) μ PD16520AFH-2Q1

Pin No.	Pin Name	I/O	Function
1	BO4	Output	2-level pulse output
2	Vsb	–	V _{HH} power supply (for SUB drive)
3	V _{SS}	–	V _L power supply
4	BI4	Input	2-level driver input (for charge transfer) (Refer to 4. FUNCTION TABLES.)
5	BI2	Input	
6	BI1	Input	
7	PG6	Input	3-level driver input (for charge read) (Refer to 4. FUNCTION TABLES.)
8	PG4	Input	
9	PG3	Input	
10	PG1	Input	
11	TI5	Input	3-level driver input (for charge transfer) (Refer to 4. FUNCTION TABLES.)
12	TI3	Input	
13	TI2	Input	
14	TI1	Input	
15	V _{SS}	–	V _L power supply
16	VDD1	–	V _H power supply
17	VDD2a	–	V _{Ma} power supply (for 3-level driver)
18	TO2	Output	3-level pulse output
19	TO3	Output	
20	TO4	Output	
21	TO5	Output	
22	TO6	Output	
23	BO2	Output	2-level pulse output
24	BO3	Output	
25	BO4	Output	
26	SUBO	Output	VOD shutter drive pulse output
27	BI3	Input	2-level driver input (for charge transfer) (Refer to 4. FUNCTION TABLES.)
28	BI2	Input	
29	PG5	Input	3-level driver input (for charge read) (Refer to 4. FUNCTION TABLES.)
30	PG2	Input	
31	TI6	Input	3-level driver input (for charge transfer) (Refer to 4. FUNCTION TABLES.)
32	TI4	Input	
33	TI2	Input	
34	GND	–	Ground
35	TO1	Output	3-level pulse output
36	VDD2a	–	V _{Ma} power supply (for 3-level driver)
37	VDD2a	–	
38	VDD2a	–	
39	BO1	Output	2-level pulse output
40	VDD2b	–	V _{Mb} power supply (for 2-level driver)
41	SUBI	Input	VOD shutter drive pulse input
42	V _{CC}	–	Logic power supply

4. FUNCTION TABLE ($V_L = V_{SS}$, $V_{Ma} = VDD2a$, $V_{Mb} = VDD2b$, $V_H = VDD1$, $V_{HH} = V_{sb}$)

Pins TO1 to TO6

		Input											Output						
Pin Name		T11	T12	T13	T14	T15	T16	PG1	PG2	PG3	PG4	PG5	PG6	TO1	TO2	TO3	TO4	TO5	TO6
Pin		3	4	5	6	7	8	9	10	11	12	13	14	36	34	33	31	30	28
No.		14	13, 33	12	32	11	31	10	30	9	8	29	7	35	18	19	20	21	22
		L						L						V _H					
		L						H						V _{Ma}					
		H						L						V _L					
		H						H											

Remark Pin No. upper row: μ PD16520GS-BGG, lower row: μ PD16520AFH-2Q1

Pins BO1 to BO4

		Input				Output			
Pin Name		BI1	BI2	BI3	BI4	BO1	BO2	BO3	BO4
Pin		15	16	17	28	27	26	24	23
No.		6	5, 28	27	4	39	23	24	1, 25
		L				V _{Ma}			
		H				V _L			

Remark Pin No. upper row: μ PD16520GS-BGG, lower row: μ PD16520AFH-2Q1

Pin SUBO

		Input	Output
Pin Name		SUBI	SUBO
Pin		19	22
No.		41	26
		L	V _{HH}
		H	V _L

Remark Pin No. upper row: μ PD16520GS-BGG, lower row: μ PD16520AFH-2Q1

5. ELECTRICAL SPECIFICATIONS

Absolute Maximum Ratings (T_A = 25°C, GND = 0 V)

Parameter	Symbol	Condition	Rating	Unit
Power supply voltage	V _{SS}		0 to -10	V
	V _{CC}		V _{SS} - 0.3 to V _{SS} + 20.0	V
	VDD1		V _{SS} - 0.3 to V _{SS} + 33.0	V
	VDD2		V _{SS} - 0.3 to V _{SS} + 33.0	V
	V _{sb}		V _{SS} - 0.3 to V _{SS} + 33.0	V
Input pin voltage	V _I		V _{SS} - 0.3 to V _{CC} + 0.3	V
Operating ambient temperature	T _A		-25 to +85	°C
Storage temperature	T _{stg}		-40 to +125	°C
Allowable dissipation	P _d	μ PD16520GS-BGG	500	mW
		μ PD16520AFH-2Q1	600 ^{Note}	mW

Note Mounted on 8-layer glass epoxy board of 30 mm x 30 mm x 1.6 mm

Caution Product quality may suffer if the absolute maximum rating is exceeded even momentarily for any parameter. That is, the absolute maximum ratings are rated values at which the product is on the verge of suffering physical damage, and therefore the product must be used under conditions that ensure that the absolute maximum ratings are not exceeded.

Recommended Operating Conditions (T_A = 25°C, GND = 0 V)

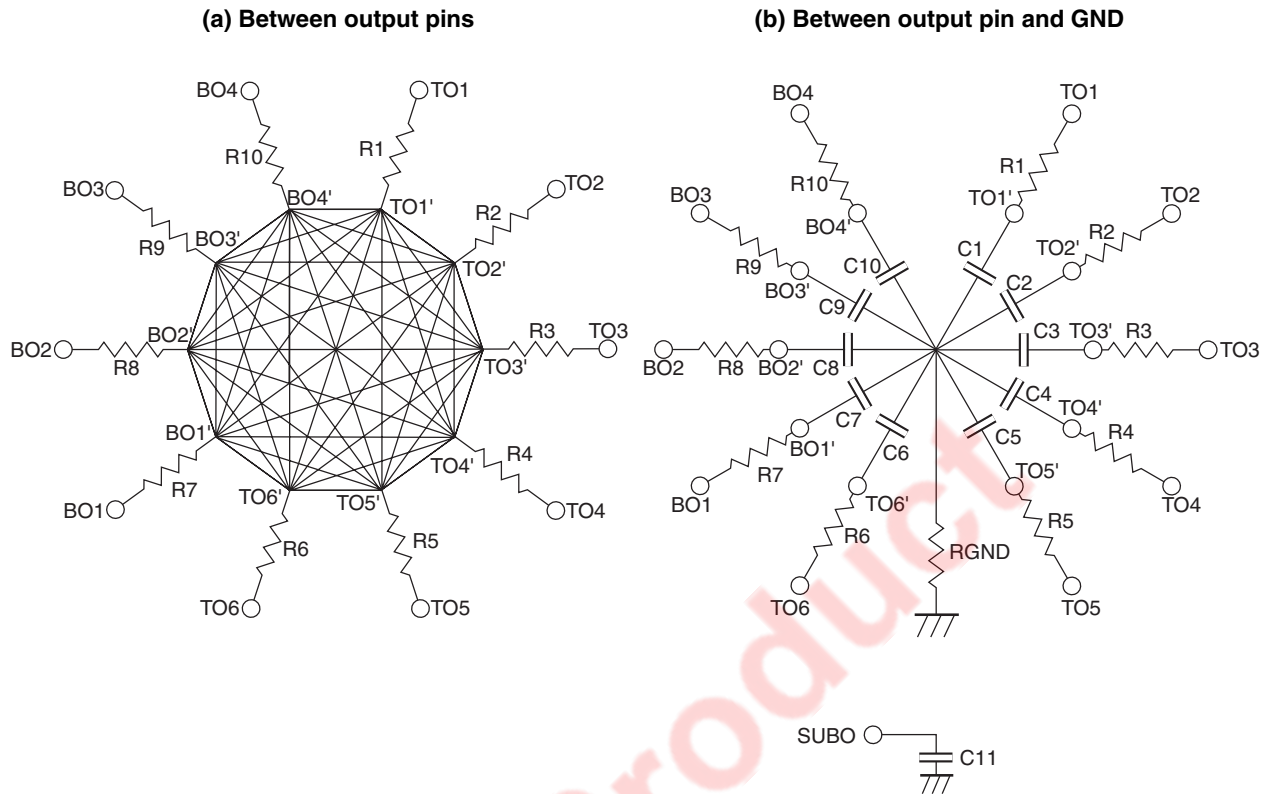
Parameter	Symbol	Condition	MIN.	TYP.	MAX.	Unit
Power supply voltage	V _{CC}		2.0		5.5	V
	VDD1	Note	10.5	15.0	21.0	V
	VDD1-V _{SS}	Note	16.5		31.0	V
	VDD2a		-1.0		+4.0	V
	VDD2b		-1.0		+4.0	V
	V _{SS}		-10.0		-6.0	V
	V _{sb} -V _{SS}	Note			31.0	V
High level input voltage	V _{IH}		0.8 V _{CC}		V _{CC}	V
Low level input voltage	V _{IL}		0		0.3 V _{CC}	V
Operating ambient temperature	T _A		-20		+70	°C

Note Set VDD1 and V_{SS} to values that satisfy VDD1-V_{SS} rating.

Electrical Characteristics (Unless otherwise specified, T_A = 25°C, VDD1 = +15 V, VDD2a = 0 V, VDD2b = +1.0 V, Vsb = 21.5 V, Vcc = +2.5 V, Vss = -7.0 V, GND = 0 V)

Parameter	Symbol	Condition	MIN.	TYP.	MAX.	Unit
High level output voltage	V _H	I _o = -20 μA	VDD1 - 0.1		VDD1	V
Middle level output voltage	V _{Ma}	I _o = -20 μA	VDD2a - 0.1		VDD2a	V
	V _{Mb}	I _o = 20 μA	VDD2b		VDD2b + 0.1	V
Low level output voltage	V _L	I _o = 20 μA	V _{ss}		V _{ss} + 0.1	V
SUB high level output voltage	V _{subH}	I _o = -20 μA	Vsb - 0.1		Vsb	V
SUB low level output voltage	V _{subL}	I _o = 20 μA	V _{ss}		V _{ss} + 0.1	V
★ Output on-state resistance	R _L	I _o = 10 mA		20	30	Ω
	R _M	I _o = ±10 mA		30	45	Ω
	R _H	I _o = -10 mA		30	40	Ω
	R _{sub}			30	40	Ω
Transmission delay time 1	TD1	No load,			200	ns
Transmission delay time 2	TD2	Refer to Figure 5-2. Timing Chart.			200	ns
Transmission delay time 3	TD3				200	ns
Rise/fall time 1	TP1		Refer to Figure 5-1. Output Load Equivalence Circuit and Figure 5-2. Timing Chart.			500
Rise/fall time 2	TP2				500	ns
Rise/fall time 3	TP3				200	ns

Figure 5-1. Output Load Equivalence Circuit



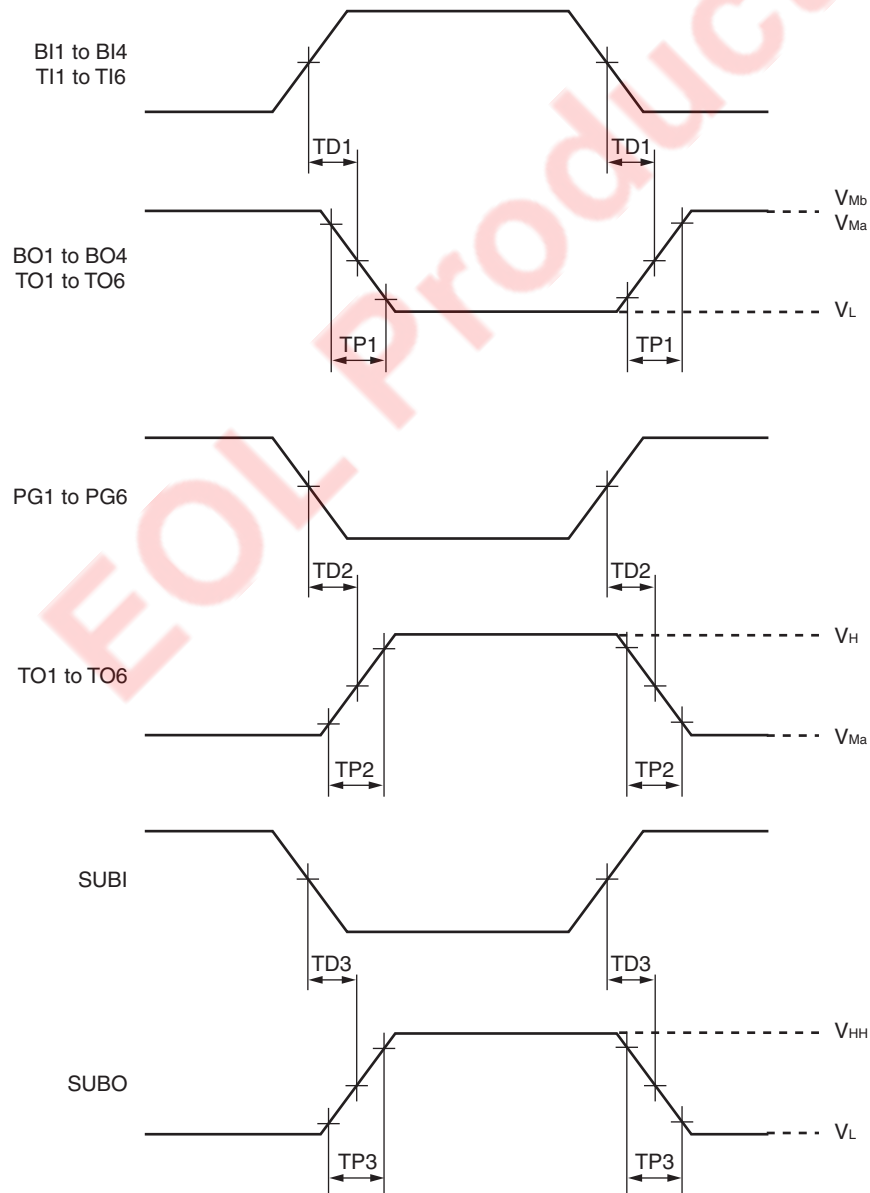
Output Load Capacitance Symbol

	TO1'	TO2'	TO3'	TO4'	TO5'	TO6'	BO1'	BO2'	BO3'	BO4'	GND
TO1'	-	C_33	C_33	C_33	C_33	C_33	C_32	C_23	C_32	C_23	C1
TO2'	C_33	-	C_33	C_33	C_33	C_33	C_23	C_32	C_23	C_32	C2
TO3'	C_33	C_33	-	C_33	C_33	C_33	C_32	C_23	C_32	C_23	C3
TO4'	C_33	C_33	C_33	-	C_33	C_33	C_23	C_32	C_23	C_32	C4
TO5'	C_33	C_33	C_33	C_33	-	C_33	C_32	C_23	C_32	C_23	C5
TO6'	C_33	C_33	C_33	C_33	C_33	-	C_23	C_32	C_23	C_32	C6
BO1'	C_32	C_23	C_32	C_23	C_32	C_23	-	C_22	C_22	C_22	C7
BO2'	C_23	C_32	C_23	C_32	C_23	C_32	C_22	-	C_22	C_22	C8
BO3'	C_32	C_23	C_32	C_23	C_32	C_23	C_22	C_22	-	C_22	C9
BO4'	C_23	C_32	C_23	C_32	C_23	C_32	C_22	C_22	C_22	-	C10
SUBO	-	-	-	-	-	-	-	-	-	-	C11

Output Load Equivalence Circuit Constants

Parameter	Symbol	Constant
Vertical register serial resistor	R1 to R10	0 Ω
Vertical register ground resistor	PGND	0 Ω
Capacitance 1 between vertical register clocks (3-level - 3-level)	C_33	0 pF
Capacitance 2 between vertical register clocks (2-level - 2-level)	C_22	0 pF
Capacitance 3 between vertical register clocks (3-level - 2-level)	C_32	1000 pF
Capacitance 4 between vertical register clocks (2-level - 3-level)	C_23	500 pF
Vertical register ground capacitance 1 (3-level)	C1 to C6	3000 pF
Vertical register ground capacitance 2 (2-level)	C7 to C10	1500 pF
Substrate ground capacitance	C11	1600 pF

Figure 5-2. Timing Chart



6. NOTE ON USE

6.1 Power ON/OFF Sequence

In the μ PD16520 and μ PD16520A, a PN junction (diode) exists between VDD2 → VDD1, input pin (TI1 to TI6, PG1 to PG6, BI1 to BI4, and SUBI) → Vcc, so that in the case of voltage conditions: VDD2 > VDD1, input pin voltage (TI1 to TI6, PG1 to PG6, BI1 to BI4, and SUBI) > Vcc, an abnormal current flows. Therefore, when turning the power ON/OFF, make sure that the following voltage conditions are satisfied: VDD2 ≤ VDD1, input pin voltage (TI1 to TI6, PG1 to PG6, BI1 to BI4, and SUBI) ≤ Vcc. Also, to minimize the negative potential applied to the SUB pin of the CCD image sensor, following the power ON/OFF sequence described below.

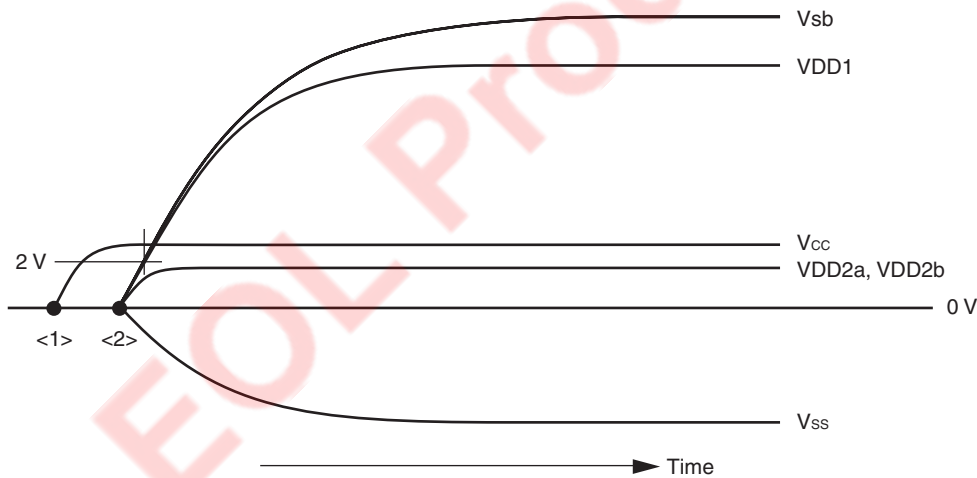
(1) Power ON

<1> Powering ON Vcc

Make sure that input pin voltage (TI1 to TI6, PG1 to PG6, BI1 to BI4, and SUBI) ≤ Vcc. Also, when Vsb = 2 V, make sure that Vcc reaches the rated voltage.

<2> Powering ON Vsb, VDD1, VDD2a, VDD2b and Vss

At this time, make SUBI high level (0.8Vcc or higher) .



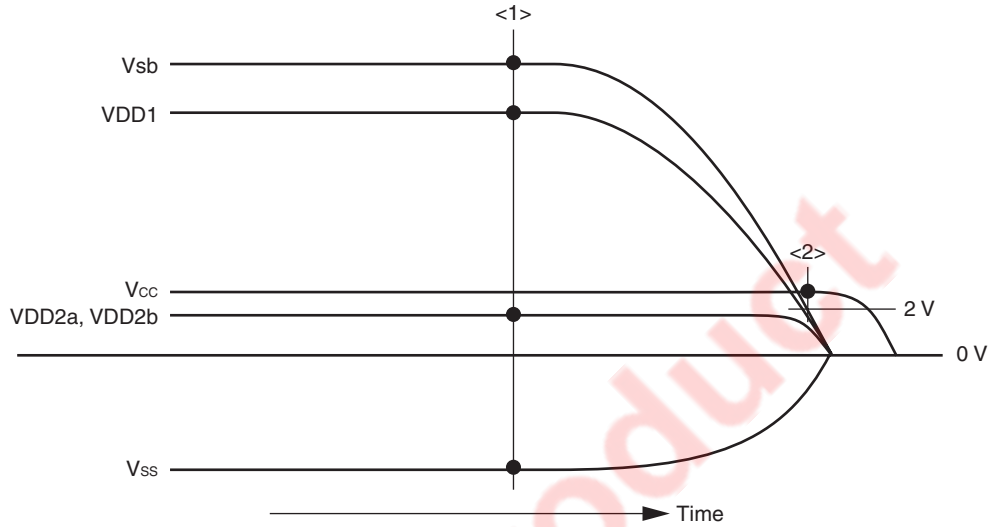
(2) Power OFF

<1> Powering OFF Vsb, VDD1, VDD2a, VDD2b and Vss

Until Vcc power OFF, keep SUBI high level (0.8Vcc or higher) .

<2> Powering OFF Vcc

Power OFF Vcc when Vsb becomes 2 V or lower. At this time, make sure that the input pin voltage (TI1 to TI6, PG1 to PG6, BI1 to BI4, and SUBI) ≤ Vcc.



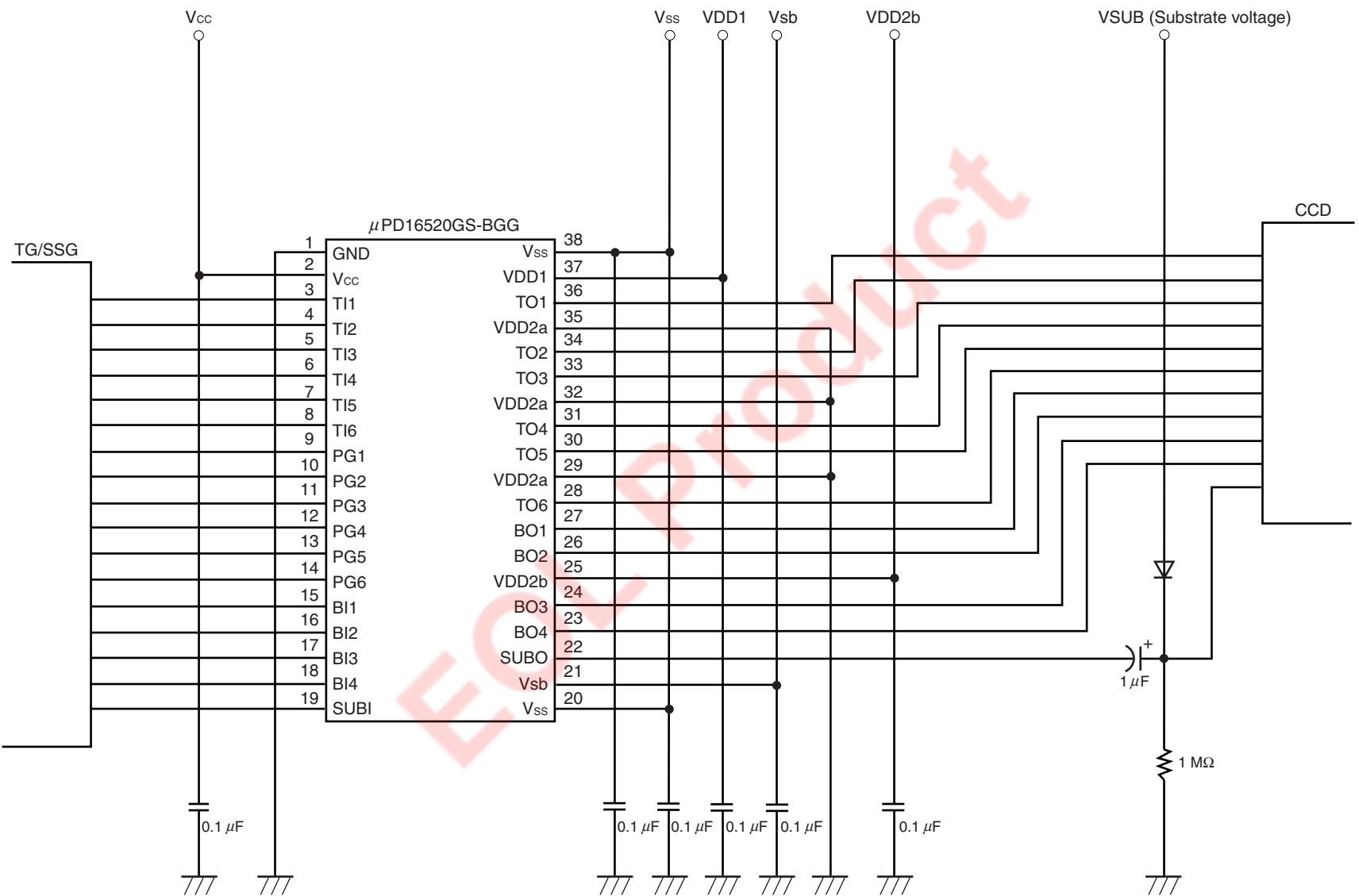
6.2 Recommended Connection of Unused Pins

Handle input pins and output pins that are not used as follows.

Input pin: High level (connect to Vcc)

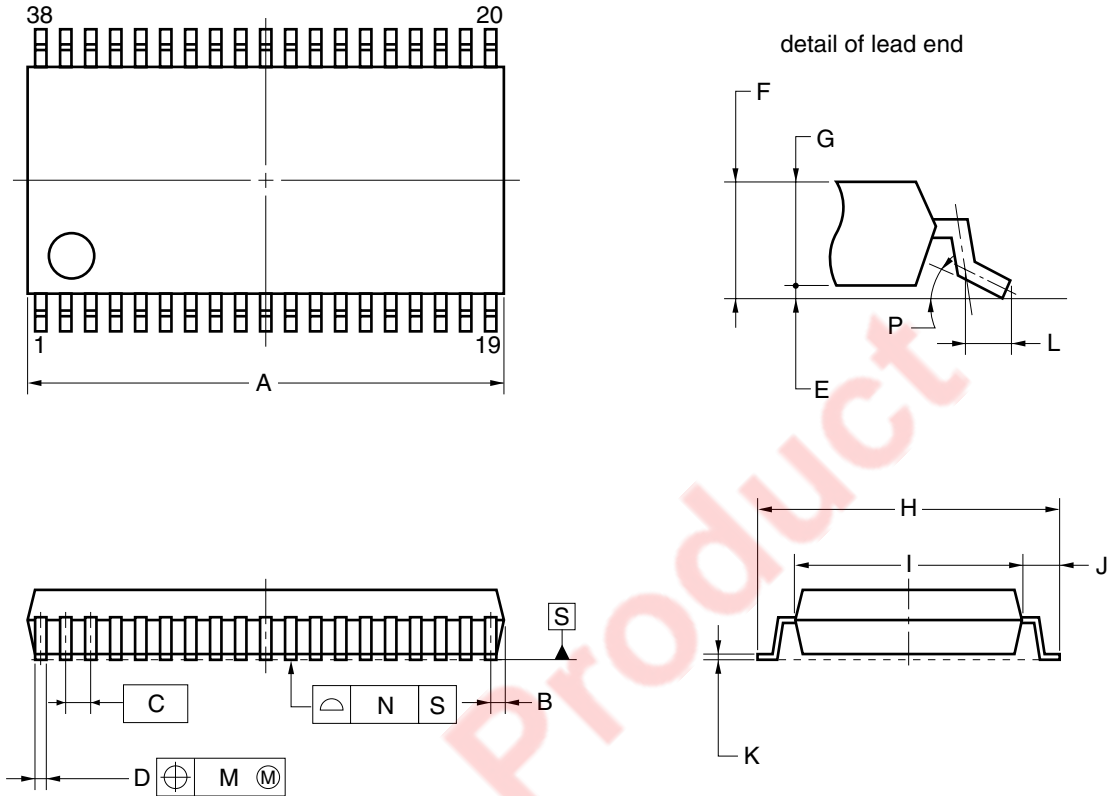
Output pin: Leave open

7. APPLICATION CIRCUIT EXAMPLE



8. PACKAGE DRAWINGS

38-PIN PLASTIC SSOP (7.62 mm (300))



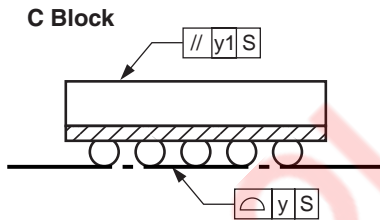
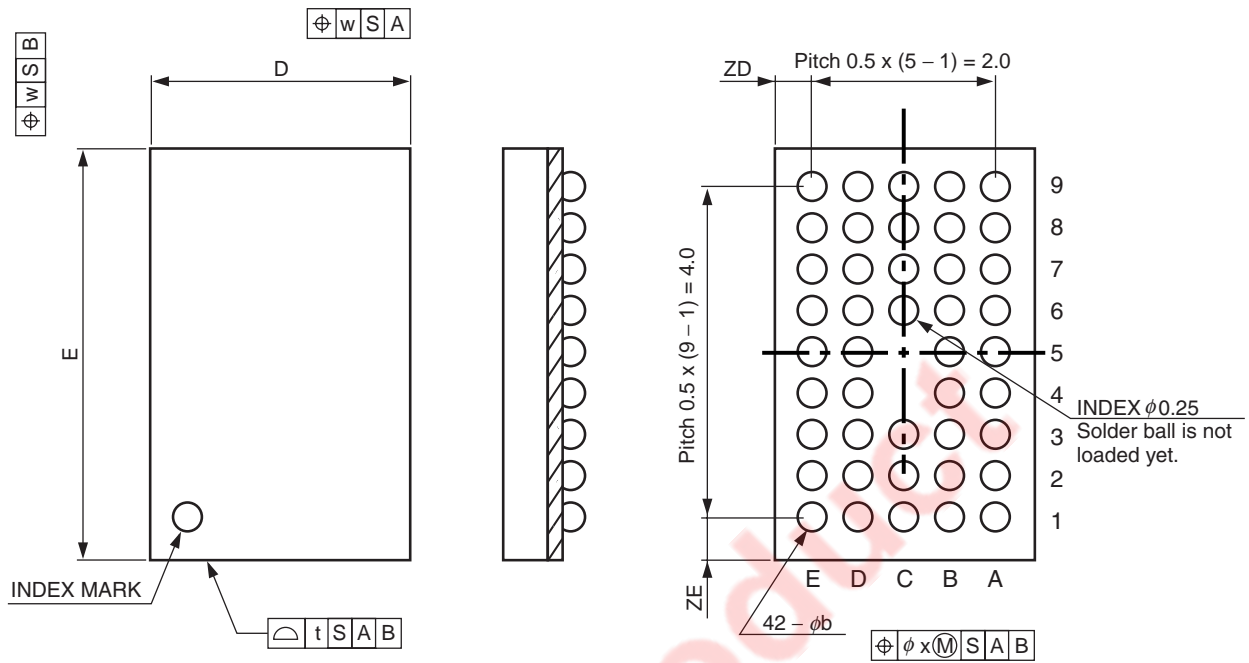
NOTE

Each lead centerline is located within 0.10 mm of its true position (T.P.) at maximum material condition.

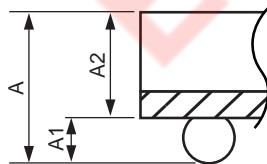
ITEM	MILLIMETERS
A	12.7±0.3
B	0.65 MAX.
C	0.65 (T.P.)
D	0.37 ^{+0.05} _{-0.1}
E	0.125±0.075
F	1.675±0.125
G	1.55
H	7.7±0.2
I	5.6±0.2
J	1.05±0.2
K	0.2 ^{+0.1} _{-0.05}
L	0.6±0.2
M	0.10
N	0.10
P	3° ^{+7°} _{-3°}

P38GS-65-BGG-1

42-PIN WAFER LEVEL CSP (Unit: mm)



C Block Details



Parameter	Standard		
	MIN.	TYP.	MAX.
D	2.98	3.03	3.08
E	4.99	5.04	5.09
ZD	-	0.515	-
ZE	-	0.520	-
e		0.5	
t			0.15
A	0.66	0.73	0.8
A1	0.18	0.23	0.28
A2	0.48	0.50	0.52
b	0.25	0.30	0.35
y	-	-	0.08
x	-	-	0.05
w	-	-	0.20
y1	-	-	0.20

9. RECOMMENDED SOLDERING CONDITIONS

The μ PD16520 and μ PD16520A should be soldered and mounted under the following recommended conditions. For soldering methods and conditions other than those recommended below, contact an NEC Electronics sales representative.

For technical information, see the following website.

Semiconductor Device Mount Manual (<http://www.necel.com/pkg/en/mount/index.html>)

Type of Surface Mount Device

μ PD16520GS-BGG: 38-pin plastic SSOP (7.62 mm (300))

Process	Conditions	Symbol
Infrared reflow	Peak temperature: 235°C or below (package surface temperature) , Reflow time: 30 seconds or less (at 210°C or higher) , Maximum number of reflow processes: 3 times or less.	IR35-00-3
Vapor phase soldering	Peak temperature: 215°C or below (package surface temperature) , Reflow time: 40 seconds or less (at 200°C or higher) , Maximum number of reflow processes: 3 times or less.	VP15-00-3
Wave soldering	Solder temperature: 260°C or below, Flow time: 10 seconds or less, Maximum number of flow processes: 1 time, Pre-heating temperature: 120° or below (package surface temperature) .	WS60-00-1
Partial heating method	Pin temperature: 300°C or below, Heat time: 3 seconds or less (per each side of the device) .	-

μ PD16520AFH-2Q1: 42-pin wafer level CSP

Process	Conditions	Symbol
Infrared reflow	Peak temperature: 260°C or below (package surface temperature) , Reflow time: 60 seconds or less (at 220°C or higher) , Maximum number of reflow processes: 3 times or less.	IR60-00-3

Caution Do not use different soldering methods together (except for partial heating) .

REFERENCE DOCUMENTS

- NEC Semiconductor Device Reliability/Quality Control System (C10983E)
- Quality Grades on NEC Semiconductor Devices (C11531E)

NOTES FOR CMOS DEVICES

① VOLTAGE APPLICATION WAVEFORM AT INPUT PIN

Waveform distortion due to input noise or a reflected wave may cause malfunction. If the input of the CMOS device stays in the area between V_{IL} (MAX) and V_{IH} (MIN) due to noise, etc., the device may malfunction. Take care to prevent chattering noise from entering the device when the input level is fixed, and also in the transition period when the input level passes through the area between V_{IL} (MAX) and V_{IH} (MIN).

② HANDLING OF UNUSED INPUT PINS

Unconnected CMOS device inputs can be cause of malfunction. If an input pin is unconnected, it is possible that an internal input level may be generated due to noise, etc., causing malfunction. CMOS devices behave differently than Bipolar or NMOS devices. Input levels of CMOS devices must be fixed high or low by using pull-up or pull-down circuitry. Each unused pin should be connected to V_{DD} or GND via a resistor if there is a possibility that it will be an output pin. All handling related to unused pins must be judged separately for each device and according to related specifications governing the device.

③ PRECAUTION AGAINST ESD

A strong electric field, when exposed to a MOS device, can cause destruction of the gate oxide and ultimately degrade the device operation. Steps must be taken to stop generation of static electricity as much as possible, and quickly dissipate it when it has occurred. Environmental control must be adequate. When it is dry, a humidifier should be used. It is recommended to avoid using insulators that easily build up static electricity. Semiconductor devices must be stored and transported in an anti-static container, static shielding bag or conductive material. All test and measurement tools including work benches and floors should be grounded. The operator should be grounded using a wrist strap. Semiconductor devices must not be touched with bare hands. Similar precautions need to be taken for PW boards with mounted semiconductor devices.

④ STATUS BEFORE INITIALIZATION

Power-on does not necessarily define the initial status of a MOS device. Immediately after the power source is turned ON, devices with reset functions have not yet been initialized. Hence, power-on does not guarantee output pin levels, I/O settings or contents of registers. A device is not initialized until the reset signal is received. A reset operation must be executed immediately after power-on for devices with reset functions.

⑤ POWER ON/OFF SEQUENCE

In the case of a device that uses different power supplies for the internal operation and external interface, as a rule, switch on the external power supply after switching on the internal power supply. When switching the power supply off, as a rule, switch off the external power supply and then the internal power supply. Use of the reverse power on/off sequences may result in the application of an overvoltage to the internal elements of the device, causing malfunction and degradation of internal elements due to the passage of an abnormal current.

The correct power on/off sequence must be judged separately for each device and according to related specifications governing the device.

⑥ INPUT OF SIGNAL DURING POWER OFF STATE

Do not input signals or an I/O pull-up power supply while the device is not powered. The current injection that results from input of such a signal or I/O pull-up power supply may cause malfunction and the abnormal current that passes in the device at this time may cause degradation of internal elements. Input of signals during the power off state must be judged separately for each device and according to related specifications governing the device.

- **The information in this document is current as of February, 2005. The information is subject to change without notice. For actual design-in, refer to the latest publications of NEC Electronics data sheets or data books, etc., for the most up-to-date specifications of NEC Electronics products. Not all products and/or types are available in every country. Please check with an NEC Electronics sales representative for availability and additional information.**
- No part of this document may be copied or reproduced in any form or by any means without the prior written consent of NEC Electronics. NEC Electronics assumes no responsibility for any errors that may appear in this document.
- NEC Electronics does not assume any liability for infringement of patents, copyrights or other intellectual property rights of third parties by or arising from the use of NEC Electronics products listed in this document or any other liability arising from the use of such products. No license, express, implied or otherwise, is granted under any patents, copyrights or other intellectual property rights of NEC Electronics or others.
- Descriptions of circuits, software and other related information in this document are provided for illustrative purposes in semiconductor product operation and application examples. The incorporation of these circuits, software and information in the design of a customer's equipment shall be done under the full responsibility of the customer. NEC Electronics assumes no responsibility for any losses incurred by customers or third parties arising from the use of these circuits, software and information.
- While NEC Electronics endeavors to enhance the quality, reliability and safety of NEC Electronics products, customers agree and acknowledge that the possibility of defects thereof cannot be eliminated entirely. To minimize risks of damage to property or injury (including death) to persons arising from defects in NEC Electronics products, customers must incorporate sufficient safety measures in their design, such as redundancy, fire-containment and anti-failure features.
- NEC Electronics products are classified into the following three quality grades: "Standard", "Special" and "Specific".

The "Specific" quality grade applies only to NEC Electronics products developed based on a customer-designated "quality assurance program" for a specific application. The recommended applications of an NEC Electronics product depend on its quality grade, as indicated below. Customers must check the quality grade of each NEC Electronics product before using it in a particular application.

"Standard": Computers, office equipment, communications equipment, test and measurement equipment, audio and visual equipment, home electronic appliances, machine tools, personal electronic equipment and industrial robots.

"Special": Transportation equipment (automobiles, trains, ships, etc.), traffic control systems, anti-disaster systems, anti-crime systems, safety equipment and medical equipment (not specifically designed for life support).

"Specific": Aircraft, aerospace equipment, submersible repeaters, nuclear reactor control systems, life support systems and medical equipment for life support, etc.

The quality grade of NEC Electronics products is "Standard" unless otherwise expressly specified in NEC Electronics data sheets or data books, etc. If customers wish to use NEC Electronics products in applications not intended by NEC Electronics, they must contact an NEC Electronics sales representative in advance to determine NEC Electronics' willingness to support a given application.

(Note)

- (1) "NEC Electronics" as used in this statement means NEC Electronics Corporation and also includes its majority-owned subsidiaries.
- (2) "NEC Electronics products" means any product developed or manufactured by or for NEC Electronics (as defined above).