

TP70H240G4ZS

700V SuperGaN® GaN FET in TO252-3L (source tab)

Description

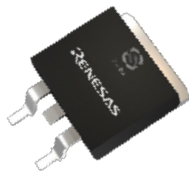
The TP70H240G4ZS 700V, 240mΩ Gallium Nitride (GaN) FET is a normally-off device that uses Renesas' Gen IV platform. It combines a state-of-the-art high-voltage GaN HEMT with a low-voltage silicon MOSFET to offer superior reliability and performance.

The Gen IV SuperGaN® platform uses advanced epi and patented design technologies to simplify manufacturability while improving efficiency over silicon via lower gate charge, output capacitance, crossover loss, and reverse recovery charge.

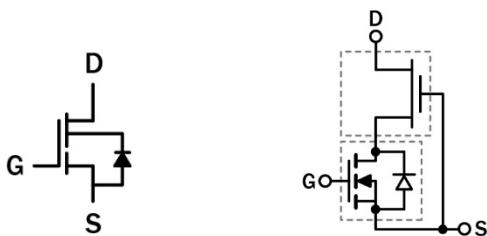
Benefits

- Achieves increased efficiency in both hard- and soft-switched circuits
 - Increased power density
 - Reduced system size and weight
 - Overall lower system cost
- Easy to drive with Si gate drivers

Product and Schematic Diagrams



TP70H240G4ZS TO252-3L



Cascode Schematic Symbol

Cascode Device Structure

(MOSFET has integrated ESD Protection Circuit)

Features

- Gen IV technology
- JEDEC-qualified GaN technology
- Dynamic RDS(on)eff production tested
- Robust design, defined by
 - Transient over-voltage capability
 - Operation with E-mode gate drivers without need for Zener protection.
- Zero reverse recovery charge
- Reduced crossover loss
- RoHS compliant and Halogen-free packaging
- 2kV HBM ESD rating

Applications

- Consumer
- Power adapters
- Low power SMPS
- Lighting



Key Specifications

V _{DS} (V)	700
V _{DSS(TR)} (V)	800
R _{DS(on)} (mΩ) maximum ^[1]	312
Q _{OSS} (nC) typical	17
Q _G (nC) typical	5.4

1. Dynamic RDS(on); see Figure 21 and Figure 22.

Contents

1. Pin Information	3
1.1 Pin Assignments	3
1.2 Pin Descriptions	3
2. Specifications	4
2.1 Absolute Maximum Ratings	4
2.2 Thermal Specifications	4
2.3 Circuit Implementation	5
2.4 Electrical Specifications – Forward Device	5
2.5 Electrical Specifications – Reverse Device	6
3. Typical Performance Graphs	7
4. Test Circuits and Waveforms	10
5. Package Outline Drawings	11
6. Design Considerations	12
7. Related Information	12
8. Ordering Information	12
9. Revision History	12

Figures

Figure 1. Pin Assignments – Bottom View	3
Figure 2. Simplified Half-Bridge Schematic	5
Figure 3. Simplified Single-Ended Schematic	5
Figure 4. Typical Output Characteristics, $T_J = 25^{\circ}\text{C}$	7
Figure 5. Typical Output Characteristics, $T_J = 150^{\circ}\text{C}$	7
Figure 6. Typical Transfer Characteristics	7
Figure 7. Normalized On-resistance	7
Figure 8. Typical Capacitance	7
Figure 9. Typical C_{OSS} Stored Energy	7
Figure 10. Typical QOSS	8
Figure 11. Typical Gate Charge	8
Figure 12. Power Dissipation	8
Figure 13. Current Derating	8
Figure 14. Forward Characteristics of Rev. Diode	8
Figure 15. Transient Thermal Resistance	8
Figure 16. Safe Operating Area $T_C = 25^{\circ}\text{C}$	9
Figure 17. Switching Time Test Circuit	10
Figure 18. Switching Time Waveform	10
Figure 19. Diode Characteristics Test Circuit	10
Figure 20. Diode Recovery Waveform	10
Figure 21. Dynamic $R_{DS(on)eff}$ Test Circuit	10
Figure 22. Dynamic $R_{DS(on)eff}$ Waveform	10
Figure 23. Package Outline Drawing – TO252-3L	11

1. Pin Information

1.1 Pin Assignments

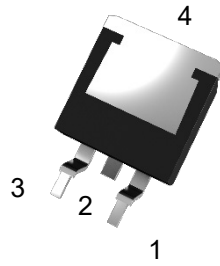


Figure 1. Pin Assignments – Bottom View

1.2 Pin Descriptions

Pin Number	Pin Name	Description
1	G	Gate.
2, 4	S	Source.
3	D	Drain.

2. Specifications

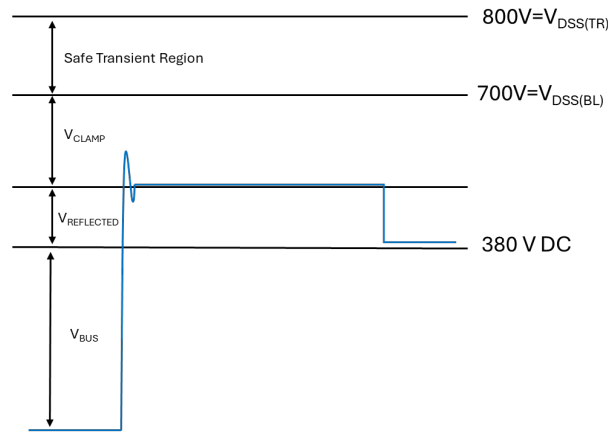
2.1 Absolute Maximum Ratings

$T_c = 25^\circ\text{C}$ unless otherwise stated.

Caution: Do not operate at or near the maximum ratings listed for extended periods of time. Exposure to such conditions can adversely impact product reliability and result in failures not covered by warranty.

Symbol	Parameter	Minimum	Maximum	Unit
V_{DSS}	Drain to source voltage ($T_J = -55^\circ\text{C}$ to 150°C)	-	700	V
$V_{DSS(TR), \text{non-repetitive}}$	Transient drain to source voltage, non-repetitive ^[1]	-	800	
$V_{DSS(TR), \text{repetitive}}$	Transient drain to source voltage, repetitive ^[2]	-	750	
V_{GSS}	Gate to source voltage	-20	+20	
P_D	Maximum power dissipation at $T_c = 25^\circ\text{C}$	-	31.2	W
I_D	Continuous drain current at $T_c = 25^\circ\text{C}$ ^[3]	-	8	A
	Continuous drain current at $T_c = 100^\circ\text{C}$ ^[3]	-	5	A
I_{DM}	Pulsed drain current (pulse width: $10\mu\text{s}$)	-	30	A
T_J	Junction operating temperature	-55	+150	$^\circ\text{C}$
T_S	Storage temperature	-55	+150	$^\circ\text{C}$
T_{SOLD}	Reflow soldering temperature ^[4]	-	260	$^\circ\text{C}$

1. In off-state, spike duration < $30\mu\text{s}$, non-repetitive.
2. Off-state, spike duration < $5\mu\text{s}$, repetitive.
3. For increased stability at high current operation, see [Circuit Implementation](#).
4. Reflow MSL3.



2.2 Thermal Specifications

Symbol	Condition	Typical Value	Unit
$R_{\theta JC}$	Junction-to-case	4	$^\circ\text{C/W}$
$R_{\theta JA}$	Junction-to-ambient ^[1]	50	

1. Device on one layer epoxy PCB for source connection (vertical and without air stream cooling, with 6cm^2 copper area and $70\mu\text{m}$ thickness).

2.3 Circuit Implementation

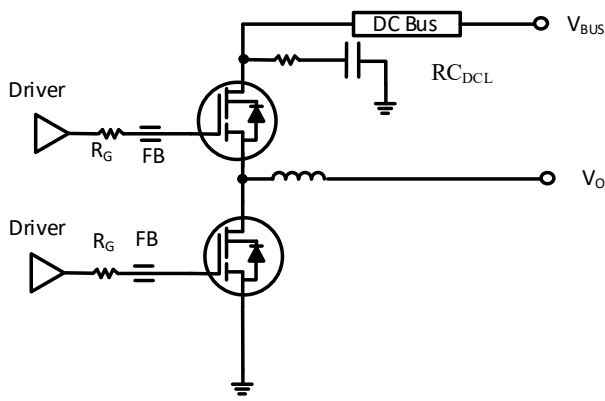


Figure 2. Simplified Half-Bridge Schematic

Recommended gate drive: (0V, 6V) with $R_{G(tot)} = 20\Omega$ ^[1]

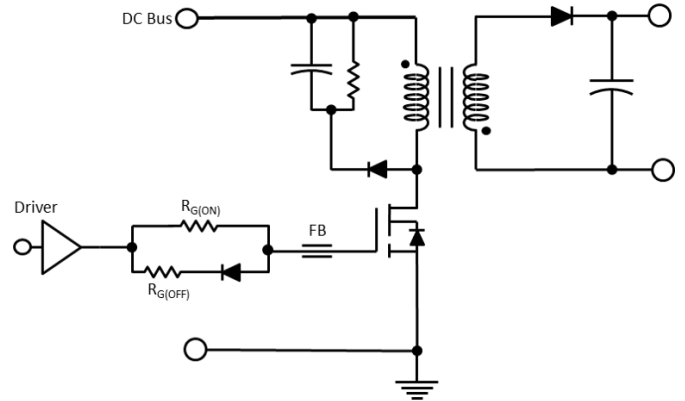


Figure 3. Simplified Single-Ended Schematic

Recommended gate drive:

Gate drive: (0V, 6V): $R_{G(ON)} = 65$ to 150Ω ; $R_{G(OFF)} = 0$ to 10Ω

Gate drive*: (-6V, 6V): $R_{G(ON)} = 65$ to 100Ω ; $R_{G(OFF)} = 0$ to 20Ω

Gate Ferrite Bead (FB1)	Recommended DC Link RC Snubber (RC_{DCL}) ^[2]
120Ω at 100MHz	4.7nF + 5Ω

- For bridge topologies only. R_G could be much smaller in single ended topologies.
- RC_{DCL} should be placed as close as possible to the drain pin.

For additional driver configurations/options, see application note [Recommended External Circuitry for Renesas GaN FETs](#).

2.4 Electrical Specifications – Forward Device

$T_J = 25^\circ\text{C}$ unless otherwise stated.

Symbol	Parameter	Test Conditions	Minimum	Typical	Maximum	Unit
$V_{DSS(BL)}$	Maximum drain-source voltage	$V_{GS} = 0\text{V}$	700	-	-	V
$V_{GS(th)}$	Gate threshold voltage	$V_{DS} = V_{GS}, I_D = 0.5\text{mA}$	1.5	2.0	2.5	V
$\Delta V_{GS(th)}/T_J$	Gate threshold voltage temperature coefficient	-	-	-5.8	-	mV/°C
$R_{DS(on)eff}$	Drain-source on-resistance ^[1]	$V_{GS} = 6\text{V}, I_D = 5\text{A}$	-	240	312	mΩ
		$V_{GS} = 6\text{V}, I_D = 5\text{A}, T_J = 150^\circ\text{C}$	-	492	-	
I_{DSS}	Drain-to-source leakage current	$V_{DS} = 700\text{V}, V_{GS} = 0\text{V}$	-	1.2	12	μA
		$V_{DS} = 700\text{V}, V_{GS} = 0\text{V}, T_J = 150^\circ\text{C}$	-	8	-	
I_{GSS}	Gate-to-source forward leakage current ^[2]	$V_{GS} = 20\text{V}$	-	-	10	μA
	Gate-to-source reverse leakage current ^[2]	$V_{GS} = -20\text{V}$	-	-	-10	
I_{GSS}	Gate-to-source forward leakage current ^[2]	$V_{GS} = 6\text{V}$	-	-	0.1	μA
	Gate-to-source reverse leakage current ^[2]	$V_{GS} = -6\text{V}$	-	-	-0.1	
C_{iss}	Input capacitance	$V_{GS} = 0\text{V}, V_{DS} = 400\text{V}, f = 1\text{MHz}$	-	487	-	pF

Symbol	Parameter	Test Conditions	Minimum	Typical	Maximum	Unit
C _{OSS}	Output capacitance	-	-	16.3	-	
C _{RSS}	Reverse transfer capacitance	-	-	2	-	
C _{O(er)}	Output capacitance, energy related [3]	V _{GS} = 0V, V _{DS} = 0V to 400V	-	24	-	pF
C _{O(tr)}	Output capacitance, time related [4]	-	-	42	-	
Q _G	Total gate charge	V _{DS} = 400V, V _{GS} = 0V to 6V, I _D = 5A	-	5.4	-	nC
Q _{GS}	Gate-source charge	-	-	1.5	-	
Q _{GD}	Gate-drain charge	-	-	2.3	-	
Q _{OSS}	Output charge	V _{GS} = 0V, V _{DS} = 0V to 400V	-	17	-	nC
t _{D(on)}	Turn-on delay	V _{DS} = 400V, V _{GS} = 0V to 6V, I _D = 5A, R _G = 20Ω, ZFB = 120Ω at 100MHz (see Figure 17)	-	27.8	-	ns
t _R	Rise time		-	4.8	-	
t _{D(off)}	Turn-off delay		-	39.6	-	
t _F	Fall time		-	5.6	-	

1. Dynamic R_{DS(on)}, 100% tested; see Figure 17 and Figure 18 for conditions.
2. Including leakage current of the integrated ESD protection circuit.
3. Equivalent capacitance to give same stored energy from 0V to 400V.
4. Equivalent capacitance to give same charging time from 0V to 400V.

2.5 Electrical Specifications – Reverse Device

T_J = 25°C unless otherwise stated.

Symbol	Parameter	Test Conditions	Minimum	Typical	Maximum	Unit
I _S	Reverse current	V _{GS} = 0V, T _C = 100°C, ≤ 25% duty cycle	-	-	5	A
V _{SD}	Reverse voltage [1]	V _{GS} = 0V, I _S = 2.5A	-	1.6	-	V
		V _{GS} = 0V, I _S = 5A	-	2.6	-	
t _{RR}	Reverse recovery time	I _S = 5A, V _{DD} = 400V, di/dt = 1000A/μs	-	29	-	ns
Q _{RR}	Reverse recovery charge [2]		-	0	-	nC

1. Includes dynamic R_{DS(on)} effect.
2. Excludes Q_{OSS}.

3. Typical Performance Graphs

$T_C = 25^\circ\text{C}$ unless otherwise stated.

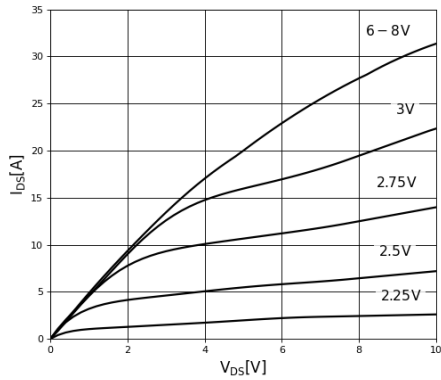


Figure 4. Typical Output Characteristics, $T_J = 25^\circ\text{C}$
Parameter: V_{GS}

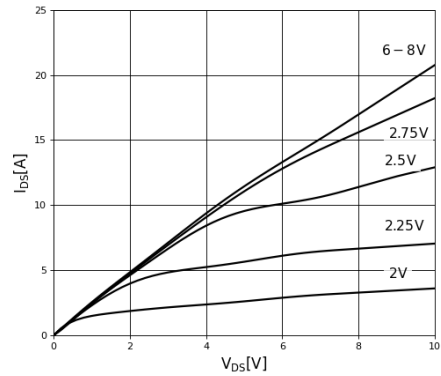


Figure 5. Typical Output Characteristics, $T_J = 150^\circ\text{C}$
Parameter: V_{GS}

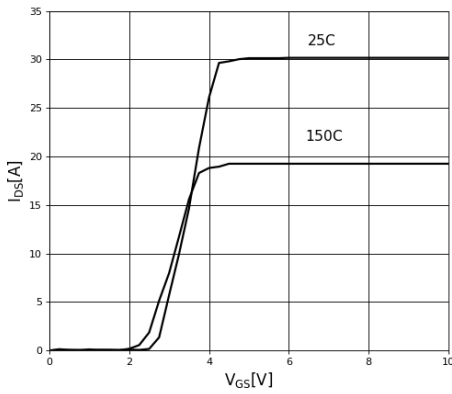


Figure 6. Typical Transfer Characteristics
 $V_{DS} = 10\text{V}$, Parameter: T_J

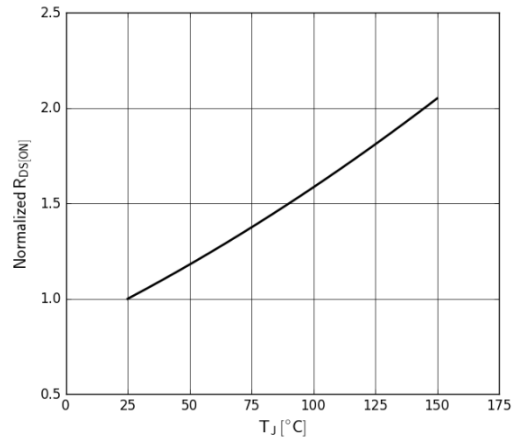


Figure 7. Normalized On-resistance
 $I_D = 5\text{A}$, $V_{GS} = 6\text{V}$

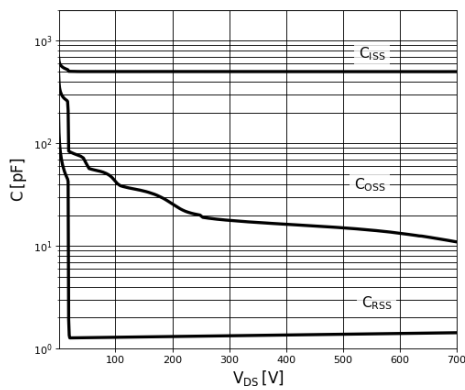


Figure 8. Typical Capacitance
 $V_{GS} = 0\text{V}$, $f = 1\text{MHz}$

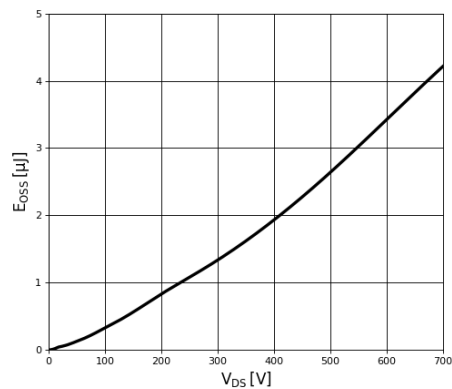


Figure 9. Typical C_{OSS} Stored Energy

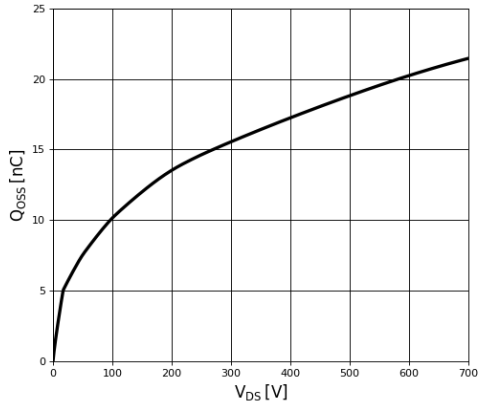


Figure 10. Typical QOSS

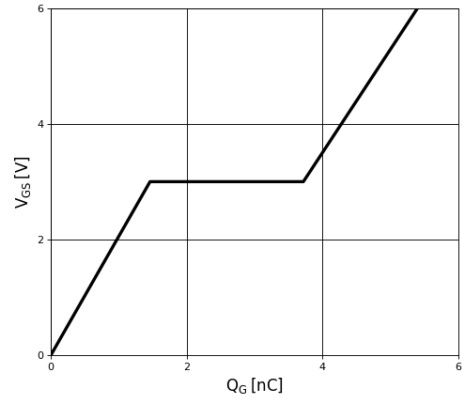


Figure 11. Typical Gate Charge

I_{DS} = 5A, V_{DS} = 400V

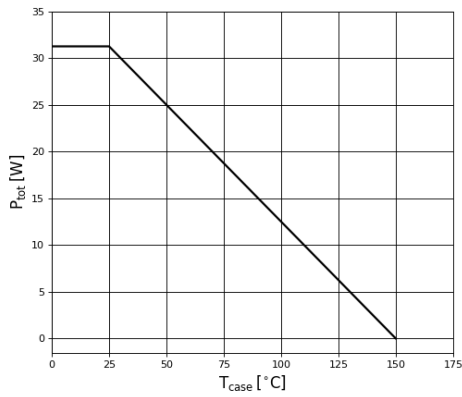


Figure 12. Power Dissipation

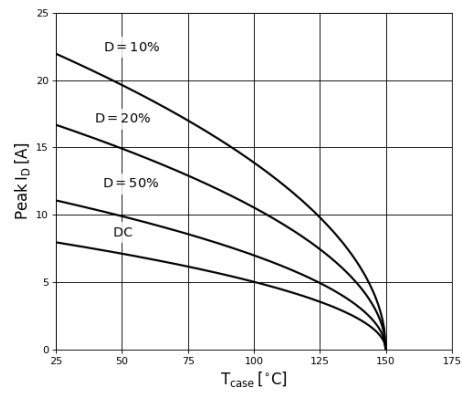


Figure 13. Current Derating

Pulse width ≤ 10μs, V_{GS} ≥ 6V

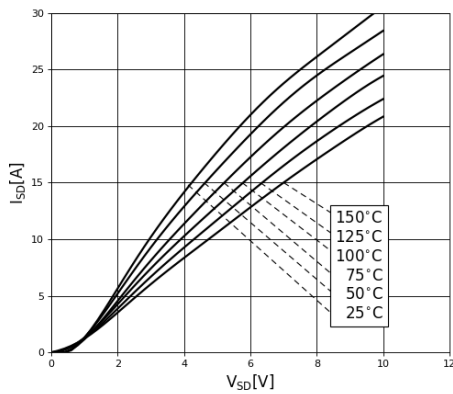


Figure 14. Forward Characteristics of Rev. Diode

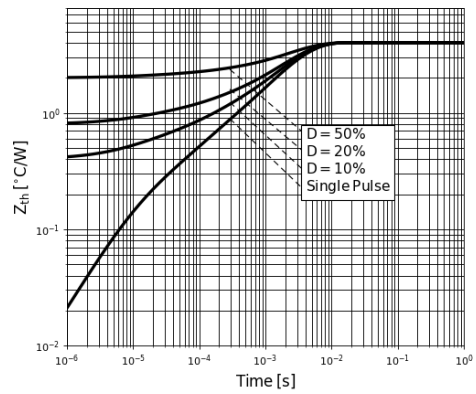


Figure 15. Transient Thermal Resistance

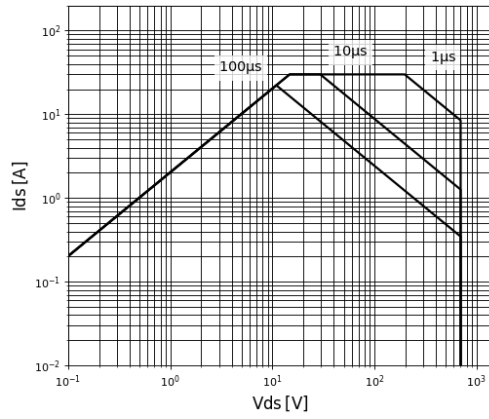


Figure 16. Safe Operating Area $T_c = 25^\circ\text{C}$

4. Test Circuits and Waveforms

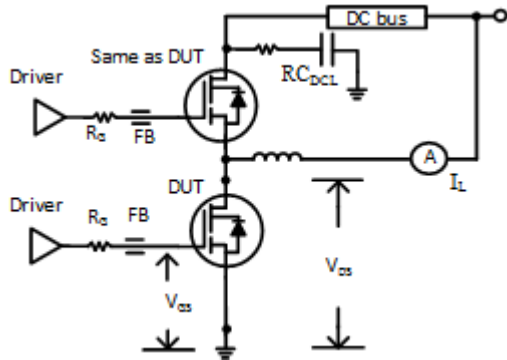


Figure 17. Switching Time Test Circuit

(For methods to ensure clean switching, see [Circuit Implementation](#))

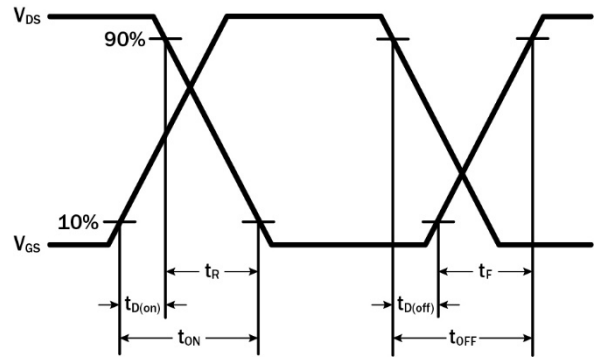


Figure 18. Switching Time Waveform

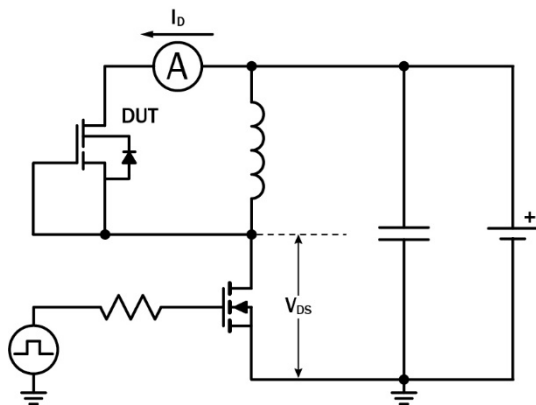


Figure 19. Diode Characteristics Test Circuit

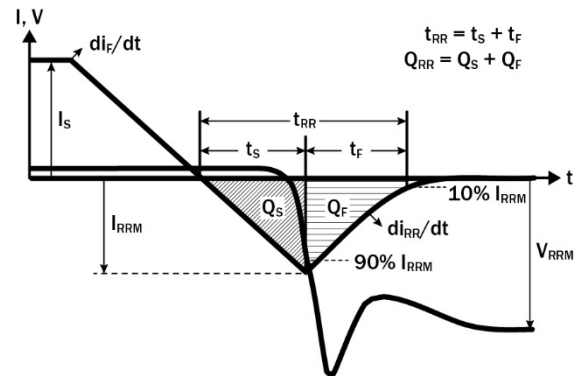


Figure 20. Diode Recovery Waveform

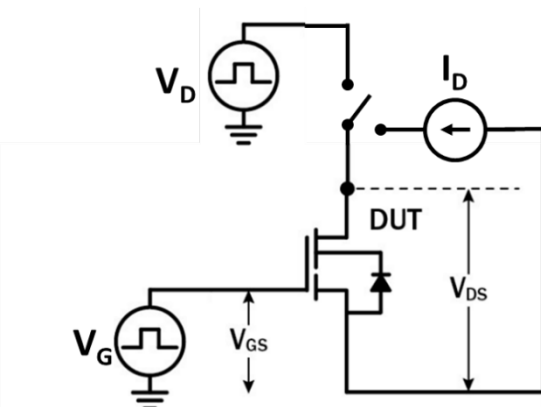


Figure 21. Dynamic $R_{DS(on)eff}$ Test Circuit

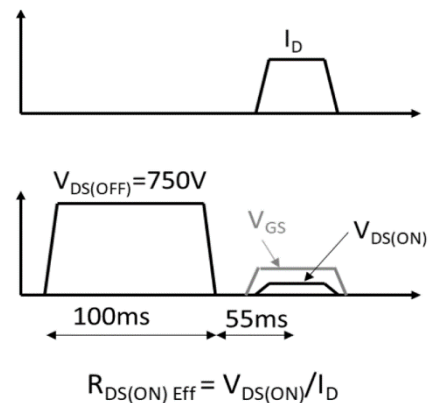


Figure 22. Dynamic $R_{DS(on)eff}$ Waveform

5. Package Outline Drawings

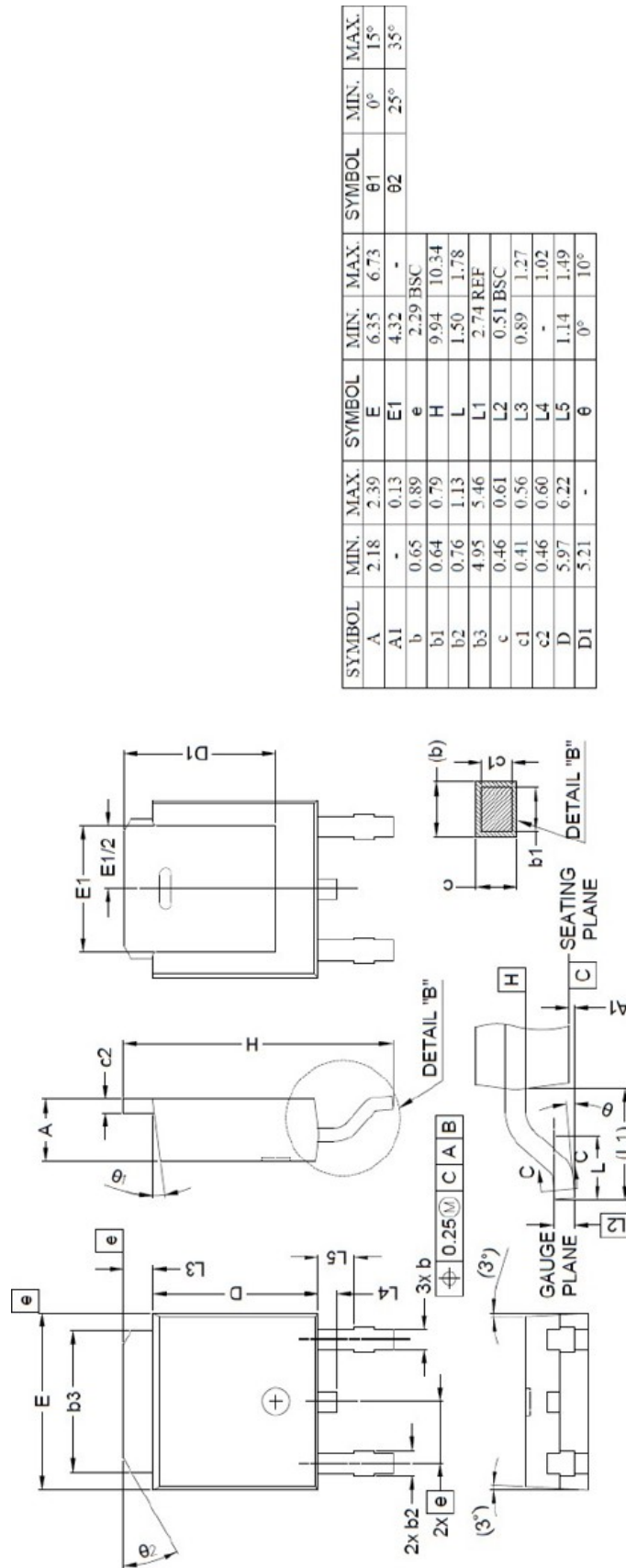


Figure 23. Package Outline Drawing – TO252-3L

6. Design Considerations

The fast switching of GaN devices reduces current-voltage crossover losses and enables high-frequency operation while simultaneously achieving high efficiency. However, taking full advantage of the fast switching characteristics of GaN switches requires adherence to specific PCB layout guidelines and probing techniques.

Before evaluating Renesas GaN devices, see application note [Printed Circuit Board Layout and Probing for GaN Power Switches](#). The following table provides some practical rules that should be followed during the evaluation.

When Evaluating Renesas GaN Devices:	
DO	DO NOT
Minimize circuit inductance by keeping traces short, both in the drive and power loop.	Twist the pins of TO-220 or TO-247 to accommodate GDS board layout.
Minimize lead length of TO-220 and TO-247 package when mounting to the PCB.	Use long traces in drive circuit, long lead length of the devices.
Use shortest sense loop for probing; attach the probe and its ground connection directly to the test points.	Use differential mode probe or probe ground clip with long wire.

7. Related Information

The complete technical library of GaN design tools can be found at [Renesas](#):

- Evaluation kits
- Application notes
- Design guides
- Simulation models
- Technical papers and presentations

Specific resources include:

- [Printed Circuit Board Layout and Probing for GaN Power Switches](#)
- [Recommendations for Vapor Phase Reflow](#)
- [Recommended External Circuitry for GaN FETs](#)
- [PQFN Tape and Reel Information](#)

8. Ordering Information

Part Number	Package Description	Package Configuration
TP70H240G4ZS-TR ^[1]	TO252-3L	Source

1. "-TR" suffix refers to tape and reel.

9. Revision History

Revision	Date	Description
1.00	Jun 24, 2025	Initial release.

IMPORTANT NOTICE AND DISCLAIMER

RENESAS ELECTRONICS CORPORATION AND ITS SUBSIDIARIES (“RENESAS”) PROVIDES TECHNICAL SPECIFICATIONS AND RELIABILITY DATA (INCLUDING DATASHEETS), DESIGN RESOURCES (INCLUDING REFERENCE DESIGNS), APPLICATION OR OTHER DESIGN ADVICE, WEB TOOLS, SAFETY INFORMATION, AND OTHER RESOURCES “AS IS” AND WITH ALL FAULTS, AND DISCLAIMS ALL WARRANTIES, EXPRESS OR IMPLIED, INCLUDING, WITHOUT LIMITATION, ANY IMPLIED WARRANTIES OF MERCHANTABILITY, FITNESS FOR A PARTICULAR PURPOSE, OR NON-INFRINGEMENT OF THIRD-PARTY INTELLECTUAL PROPERTY RIGHTS.

These resources are intended for developers who are designing with Renesas products. You are solely responsible for (1) selecting the appropriate products for your application, (2) designing, validating, and testing your application, and (3) ensuring your application meets applicable standards, and any other safety, security, or other requirements. These resources are subject to change without notice. Renesas grants you permission to use these resources only to develop an application that uses Renesas products. Other reproduction or use of these resources is strictly prohibited. No license is granted to any other Renesas intellectual property or to any third-party intellectual property. Renesas disclaims responsibility for, and you will fully indemnify Renesas and its representatives against, any claims, damages, costs, losses, or liabilities arising from your use of these resources. Renesas' products are provided only subject to Renesas' Terms and Conditions of Sale or other applicable terms agreed to in writing. No use of any Renesas resources expands or otherwise alters any applicable warranties or warranty disclaimers for these products.

(Disclaimer Rev.1.01)

Corporate Headquarters

TOYOSU FORESIA, 3-2-24 Toyosu,
Koto-ku, Tokyo 135-0061, Japan
www.renesas.com

Trademarks

Renesas and the Renesas logo are trademarks of Renesas Electronics Corporation. All trademarks and registered trademarks are the property of their respective owners.

Contact Information

For further information on a product, technology, the most up-to-date version of a document, or your nearest sales office, please visit www.renesas.com/contact-us/.