

To our customers,

Old Company Name in Catalogs and Other Documents

On April 1st, 2010, NEC Electronics Corporation merged with Renesas Technology Corporation, and Renesas Electronics Corporation took over all the business of both companies. Therefore, although the old company name remains in this document, it is a valid Renesas Electronics document. We appreciate your understanding.

Renesas Electronics website: <http://www.renesas.com>

April 1st, 2010
Renesas Electronics Corporation

Issued by: Renesas Electronics Corporation (<http://www.renesas.com>)

Send any inquiries to <http://www.renesas.com/inquiry>.

Notice

1. All information included in this document is current as of the date this document is issued. Such information, however, is subject to change without any prior notice. Before purchasing or using any Renesas Electronics products listed herein, please confirm the latest product information with a Renesas Electronics sales office. Also, please pay regular and careful attention to additional and different information to be disclosed by Renesas Electronics such as that disclosed through our website.
2. Renesas Electronics does not assume any liability for infringement of patents, copyrights, or other intellectual property rights of third parties by or arising from the use of Renesas Electronics products or technical information described in this document. No license, express, implied or otherwise, is granted hereby under any patents, copyrights or other intellectual property rights of Renesas Electronics or others.
3. You should not alter, modify, copy, or otherwise misappropriate any Renesas Electronics product, whether in whole or in part.
4. Descriptions of circuits, software and other related information in this document are provided only to illustrate the operation of semiconductor products and application examples. You are fully responsible for the incorporation of these circuits, software, and information in the design of your equipment. Renesas Electronics assumes no responsibility for any losses incurred by you or third parties arising from the use of these circuits, software, or information.
5. When exporting the products or technology described in this document, you should comply with the applicable export control laws and regulations and follow the procedures required by such laws and regulations. You should not use Renesas Electronics products or the technology described in this document for any purpose relating to military applications or use by the military, including but not limited to the development of weapons of mass destruction. Renesas Electronics products and technology may not be used for or incorporated into any products or systems whose manufacture, use, or sale is prohibited under any applicable domestic or foreign laws or regulations.
6. Renesas Electronics has used reasonable care in preparing the information included in this document, but Renesas Electronics does not warrant that such information is error free. Renesas Electronics assumes no liability whatsoever for any damages incurred by you resulting from errors in or omissions from the information included herein.
7. Renesas Electronics products are classified according to the following three quality grades: “Standard”, “High Quality”, and “Specific”. The recommended applications for each Renesas Electronics product depends on the product’s quality grade, as indicated below. You must check the quality grade of each Renesas Electronics product before using it in a particular application. You may not use any Renesas Electronics product for any application categorized as “Specific” without the prior written consent of Renesas Electronics. Further, you may not use any Renesas Electronics product for any application for which it is not intended without the prior written consent of Renesas Electronics. Renesas Electronics shall not be in any way liable for any damages or losses incurred by you or third parties arising from the use of any Renesas Electronics product for an application categorized as “Specific” or for which the product is not intended where you have failed to obtain the prior written consent of Renesas Electronics. The quality grade of each Renesas Electronics product is “Standard” unless otherwise expressly specified in a Renesas Electronics data sheets or data books, etc.
 - “Standard”: Computers; office equipment; communications equipment; test and measurement equipment; audio and visual equipment; home electronic appliances; machine tools; personal electronic equipment; and industrial robots.
 - “High Quality”: Transportation equipment (automobiles, trains, ships, etc.); traffic control systems; anti-disaster systems; anti-crime systems; safety equipment; and medical equipment not specifically designed for life support.
 - “Specific”: Aircraft; aerospace equipment; submersible repeaters; nuclear reactor control systems; medical equipment or systems for life support (e.g. artificial life support devices or systems), surgical implantations, or healthcare intervention (e.g. excision, etc.), and any other applications or purposes that pose a direct threat to human life.
8. You should use the Renesas Electronics products described in this document within the range specified by Renesas Electronics, especially with respect to the maximum rating, operating supply voltage range, movement power voltage range, heat radiation characteristics, installation and other product characteristics. Renesas Electronics shall have no liability for malfunctions or damages arising out of the use of Renesas Electronics products beyond such specified ranges.
9. Although Renesas Electronics endeavors to improve the quality and reliability of its products, semiconductor products have specific characteristics such as the occurrence of failure at a certain rate and malfunctions under certain use conditions. Further, Renesas Electronics products are not subject to radiation resistance design. Please be sure to implement safety measures to guard them against the possibility of physical injury, and injury or damage caused by fire in the event of the failure of a Renesas Electronics product, such as safety design for hardware and software including but not limited to redundancy, fire control and malfunction prevention, appropriate treatment for aging degradation or any other appropriate measures. Because the evaluation of microcomputer software alone is very difficult, please evaluate the safety of the final products or system manufactured by you.
10. Please contact a Renesas Electronics sales office for details as to environmental matters such as the environmental compatibility of each Renesas Electronics product. Please use Renesas Electronics products in compliance with all applicable laws and regulations that regulate the inclusion or use of controlled substances, including without limitation, the EU RoHS Directive. Renesas Electronics assumes no liability for damages or losses occurring as a result of your noncompliance with applicable laws and regulations.
11. This document may not be reproduced or duplicated, in any form, in whole or in part, without prior written consent of Renesas Electronics.
12. Please contact a Renesas Electronics sales office if you have any questions regarding the information contained in this document or Renesas Electronics products, or if you have any other inquiries.

(Note 1) “Renesas Electronics” as used in this document means Renesas Electronics Corporation and also includes its majority-owned subsidiaries.

(Note 2) “Renesas Electronics product(s)” means any product developed or manufactured by or for Renesas Electronics.

RNA52A10MM

Dual CMOS system–RESET IC

REJ03D0858-0500

Rev.5.00

Oct 06, 2008

Description

The RNA52A10MM incorporates two reset circuits, one with and one without a delay function, allowing the generation of separate reset signals for a microprocessor and associated system circuits. The detection voltage of each reset circuit is determined by the value of an external resistor, and the internal reference voltage is 1.0 V. The CMOS process for the RNA52A10MM means that the device draws only 1.1 μ A (typ.). The reset cancellation delay time is set with a high degree of accuracy by the values of a capacitor and resistor connected with the CD pin. The MR (manual reset) input pin is provided for the reset circuit with the delay function, and the reset signal is output in response to a high level on the MR input pin. The MR pin is pulled down by a 2-M Ω internal resistor. Output pins Vo1 and Vo2 are open drain.

Features

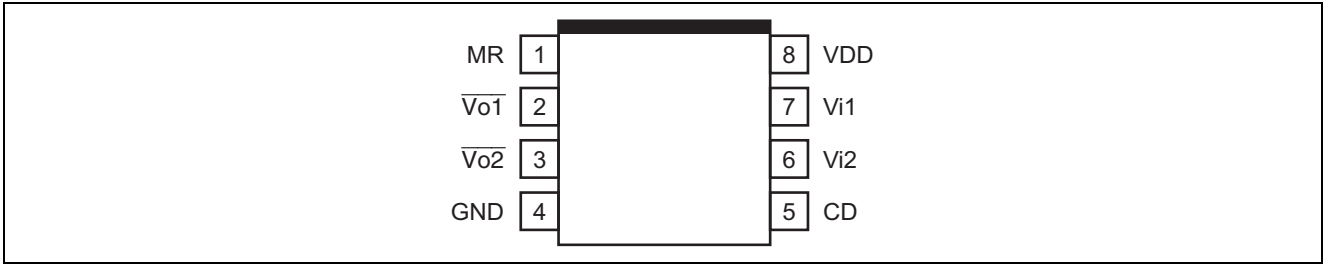
- Two CMOS reset circuits, one with and one without the delay function
- Reference voltage: 1.0 V
- Reference voltage accuracy: ± 50 mV
- Reference voltage hysteresis: 6% (typ.)
- Low current consumption: 1.1 μ A (typ.)
- Delay time set by an external CR circuit
- Manual reset input
- Open-drain output
- MMPAK-8 (8-pin) package
- Operating temperature range: – 40 to 85°C
- Ordering Information

Part Name	Package Type	Package Code	Package Abbreviation	Taping Abbreviation (Quantity)
RNA52A10MMEL	MMPAK-8 pin	PLSP0008JC-A	MM	EL (3,000 pcs / Reel)

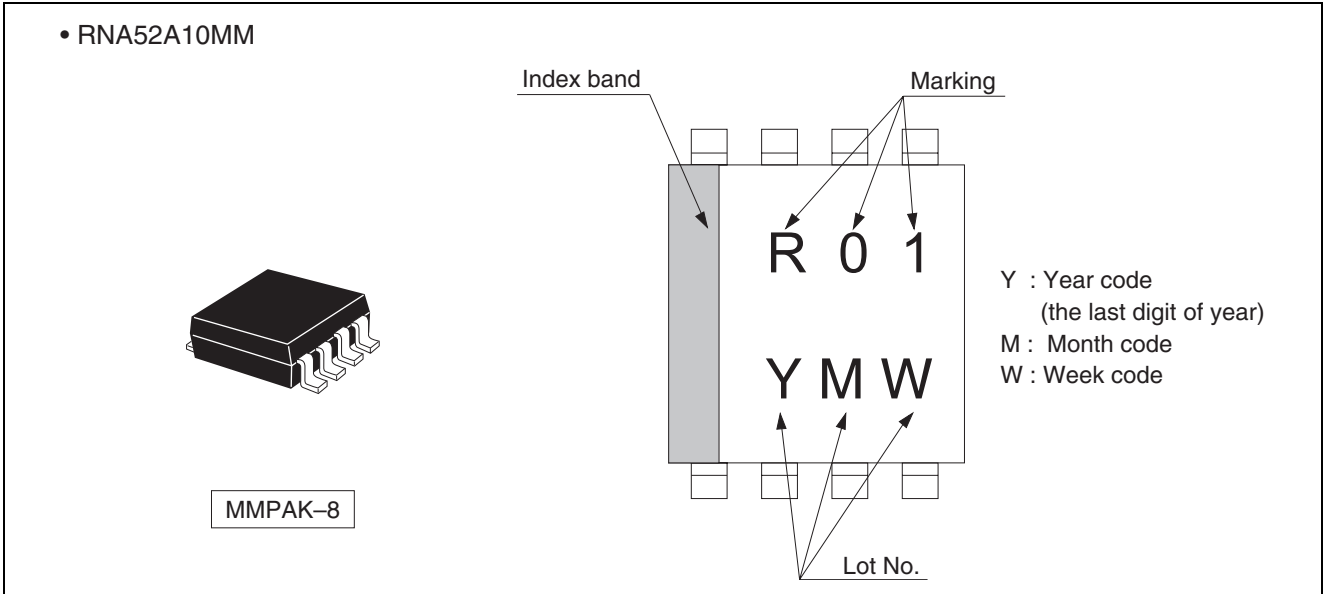
Application

- Power-supply monitoring and resetting for microprocessors
- Power supply sequence control for microprocessors
- Desktop and laptop PCs
- PC peripheral devices such as printers
- Digital still cameras, digital video cameras, and PDAs
- Battery-driven products
- Wireless communications systems

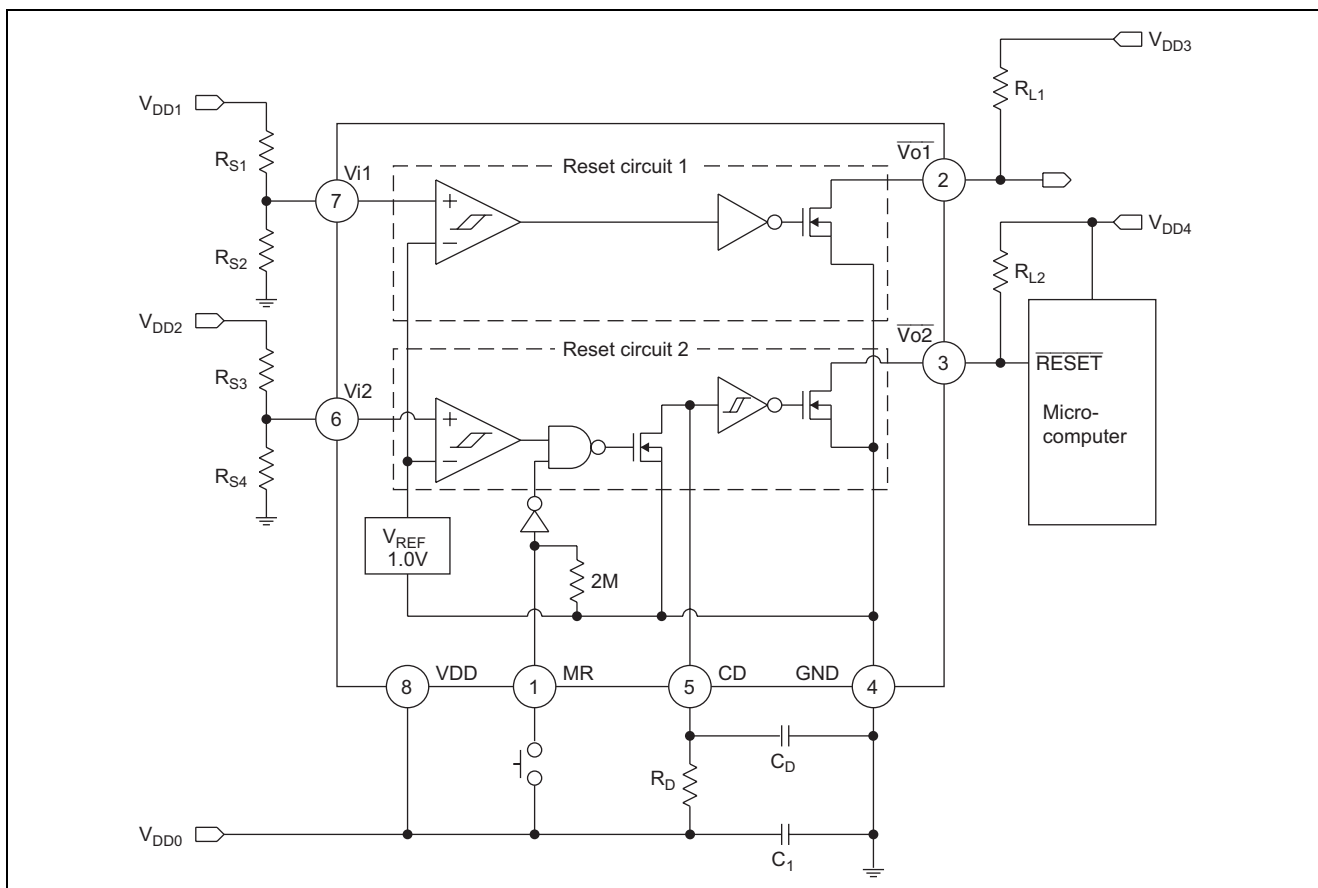
Pin Arrangement



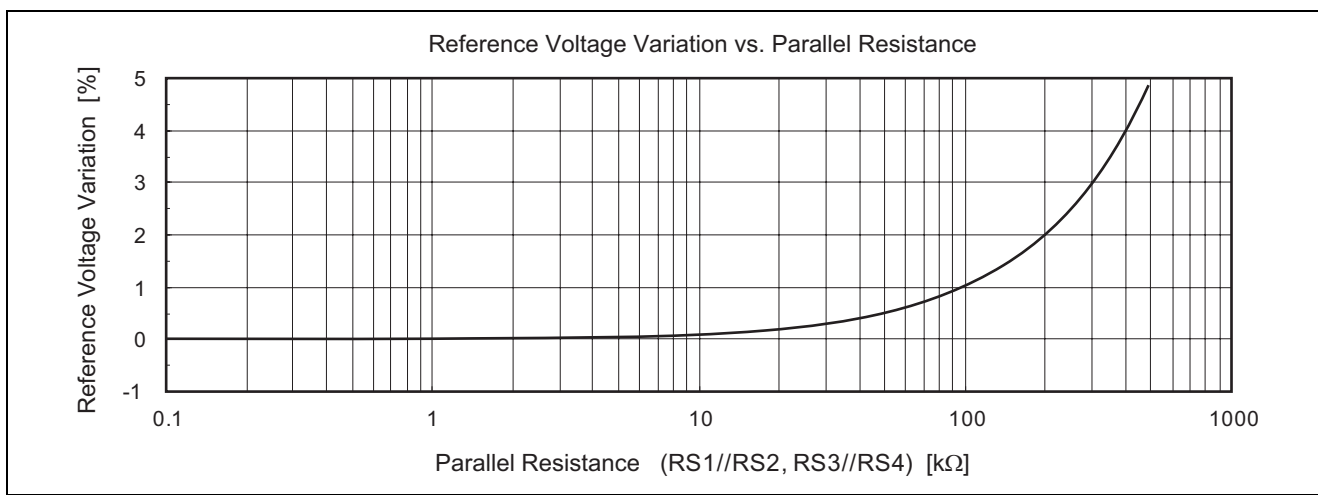
Outline and Article Indication



Functional Block Diagram and Typical application Circuit



- Notes:
1. Please refer to the following equations to set up reset-threshold voltages for power supplies V_{DD1} and V_{DD2} , and to set up external voltage-dividing resistor pairs R_{S1} and R_{S2} , and R_{S3} and R_{S4} .
 - (1) V_{DD1} reset-threshold voltage = $V_{REF} \times (R_{S1} + R_{S2}) / R_{S2}$
 - (2) V_{DD2} reset-threshold voltage = $V_{REF} \times (R_{S3} + R_{S4}) / R_{S4}$
 Note that values must be set up within the following range: $R_{S1}, R_{S2}, R_{S3}, R_{S4} \leq 50 \text{ k}\Omega$
 See the following graph for the relationship between the reference voltage variation and the value selected for R_{S1}, R_{S2}, R_{S3} and R_{S4} .
 2. For capacitor C_1 , select a type which has excellent frequency characteristics. For stable operation, place it between the VDD pin and the GND pin and as close as is possible to the chip.
 3. The value of capacitor C_1 must suit the system environment in terms of the quality of the power supply and so forth.

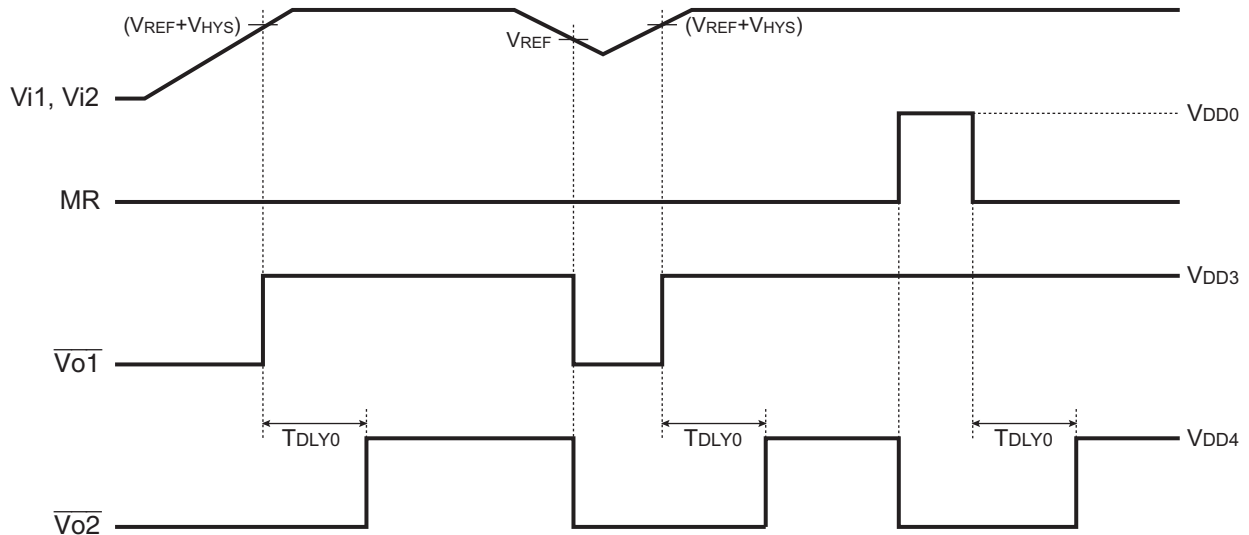


Timing Diagram

1. I/O Table

MR	Vi1, Vi2	$\overline{Vo1}$	$\overline{Vo2}$
L	$\leq V_{REF}$	L	L
	$\geq (V_{REF}+V_{HYS})$	H	H (after T_{DLY0})
H	$\leq V_{REF}$	L	L
	$\geq (V_{REF}+V_{HYS})$	H	

2. Timing Chart



Absolute Maximum Ratings

Item	Symbol	Ratings	Unit
Supply voltage (VDD)	V_{DD}	6.0	V
Input voltage (Vi1, Vi2, MR, CD)	V_{IN}	-0.3 to V_{DD}	V
Output voltage ($\overline{Vo1}$, $\overline{Vo2}$)	V_{OUT}	-0.3 to 6.0	V
Output current ($\overline{Vo1}$, $\overline{Vo2}$)	I_{OUT}	30	mA
Continuous power dissipation ($T_a = 25^\circ\text{C}$, in still air)	P_D	145	mW
Operating temperature	T_{OPR}	-40 to 85	$^\circ\text{C}$
Storage temperature	T_{STG}	-55 to 125	$^\circ\text{C}$

Note: Refer to the relevant characteristic curve on page 6 for continuous power dissipation.

Recommended Operating Conditions

Item	Symbol	Min.	Max.	Unit
Supply voltage (VDD)	V_{DD}	1.4	5.5	V
Input voltage (Vi1, Vi2, MR, CD)	V_{IN}	0	V_{DD}	V
Output voltage ($\overline{Vo1}$, $\overline{Vo2}$)	V_{OUT}	0	5.5	V
Output current ($\overline{Vo1}$, $\overline{Vo2}$)	I_{OUT}	0	15	mA
Operating temperature	T_{OPR}	-40	85	$^\circ\text{C}$

Electrical Characteristics

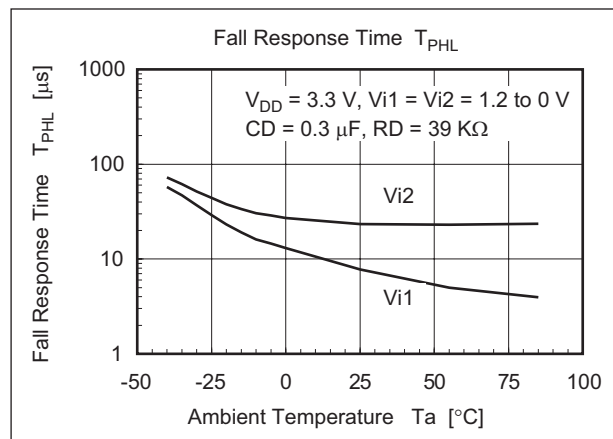
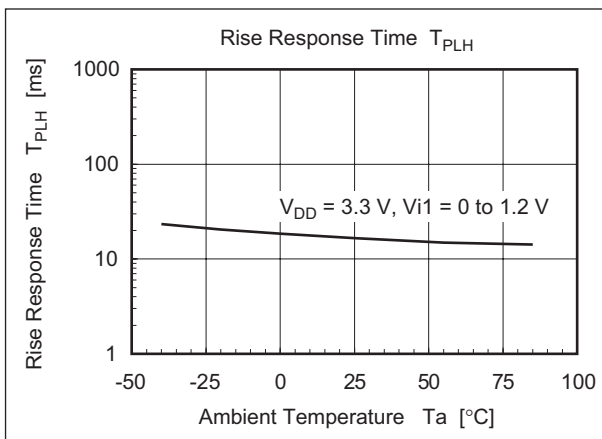
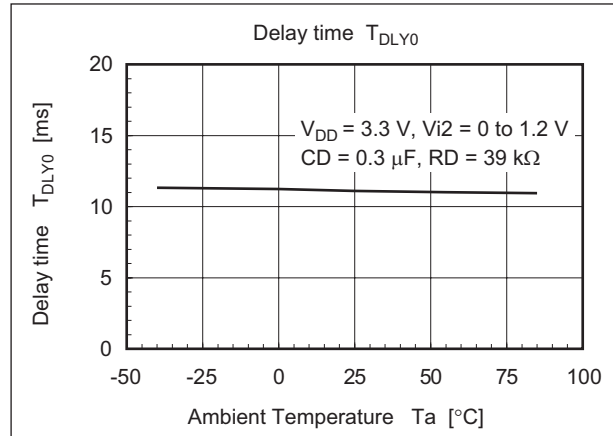
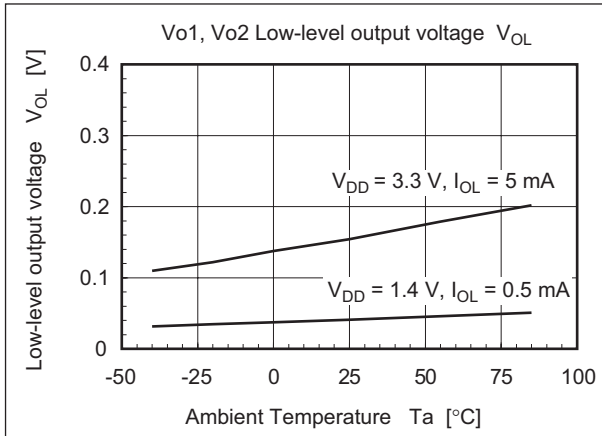
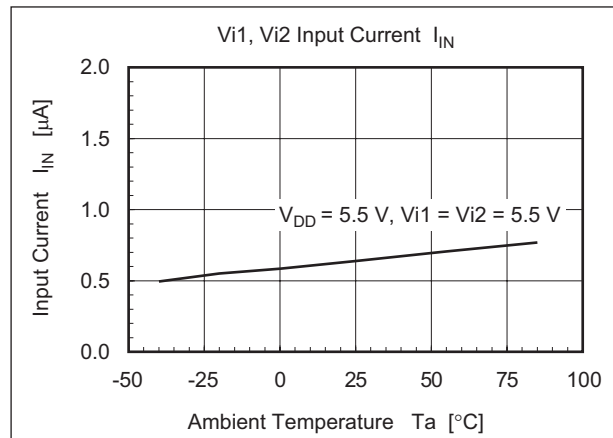
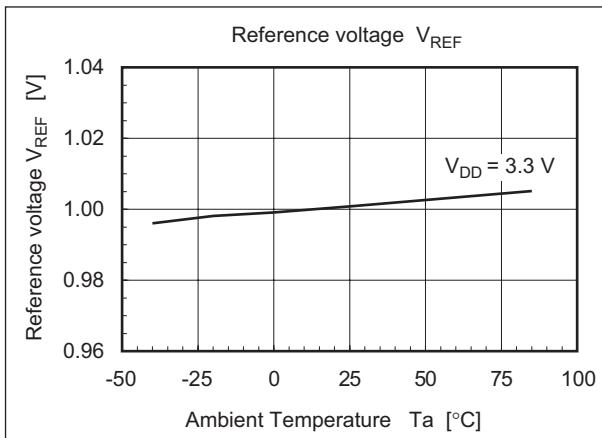
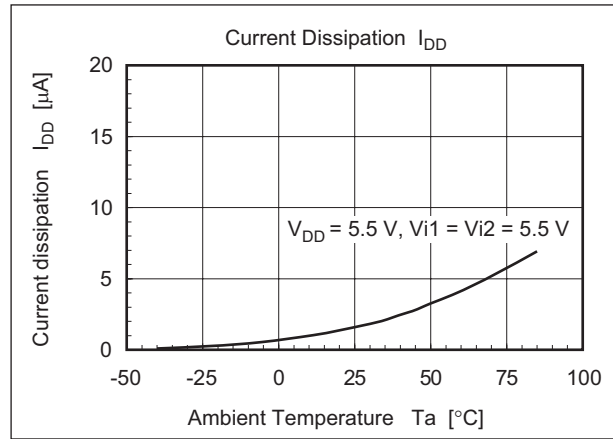
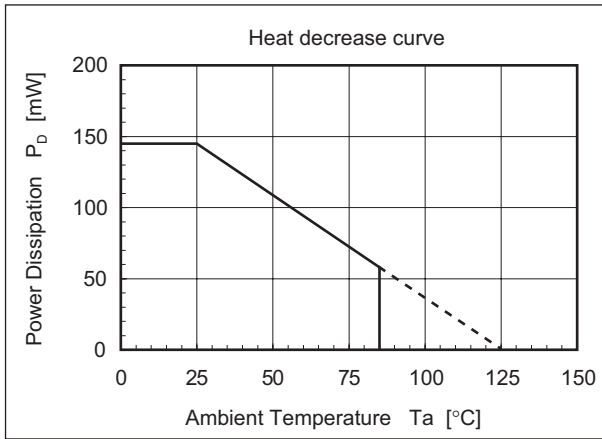
(Ta = 25°C, unless otherwise noted)

Item	Symbol	Min.	Typ.	Max.	Unit	Test Conditions	Test Circuit	
Supply voltage	V _{DD}	1.4	—	5.5	V		—	
Current consumption	I _{DD}	—	1.1	19	μA	V _{DD} = 5.5 V V _{I1} = V _{I2} = 5.5 V	1	
Reference voltage	V _{REF}	0.95	1.00	1.05	V	V _{DD} = 3.3 V	2	
Reference voltage temperature coefficient (Reference value for design)	$\frac{\Delta V_{REF}}{V_{REF} \cdot \Delta T_a}$	—	±100	—	$\frac{\text{ppm}}{^\circ\text{C}}$	T _a = -40 to 85°C	2	
Vi1, Vi2 input hysteresis voltage	V _{HYS}	28.5 (V _{REF} ×3%)	60 (V _{REF} ×6%)	94.5 (V _{REF} ×9%)	mV	V _{DD} = 3.3 V	2	
Vi1, Vi2 input current	I _{IN}	—	0.6	2.2	μA	V _{DD} = 5.5 V V _{I1} = V _{I2} = 5.5 V	3	
CD input threshold voltage	V _{DLY}	V _{DD} ×0.43	V _{DD} ×0.63	V _{DD} ×0.83	V	V _{DD} = 3.3 V V _{I1} = V _{I2} = 1.2 V	4	
Vo1, Vo2 low-level output voltage	V _{OL}	—	0.05	0.15	V	V _{DD} = 1.4V V _{I1} = V _{I2} = 0 V I _{OL} = 0.5 mA	5	
		—	0.15	0.35	V	V _{DD} = 3.3V V _{I1} = V _{I2} = 0 V I _{OL} = 5 mA	6	
Vo1, Vo2 output leakage current	I _{LK}	—	—	100	nA	V _{DD} = V _{O1} = V _{O2} = 5.5 V V _{I1} = V _{I2} = 1.2 V	7	
Vo2 Delay time ^{Note1}	Incomplete discharge of capacity CD	T _{DLY}	1.1	11	17	ms	V _{DD} = 3.3 V V _{I2} = 0 V → 1.2 V C _D = 0.3 μF, R _D = 39 kΩ	8
	complete discharge of capacity CD	T _{DLY0}	7	11	17	ms		8
Vo1 Rise response time	T _{PLH}	—	30	300	μs	V _{DD} = 3.3 V V _{I1} = 0 V → 1.2 V	9	
Vo1, Vo2 fall response time	T _{PHL}	—	30	800	μs	V _{DD} = 3.3 V V _{I1} = V _{I2} = 1.2 V → 0 V C _D = 0.3 μF, R _D = 39 kΩ	10	
MR low-level input voltage	V _{IL}	—	—	V _{DD} ×0.2	V	V _{DD} = 3.3 V V _{I1} = V _{I2} = 1.2 V	11	
MR high-level input voltage	V _{DD} < 4.5V	V _{IH}	V _{DD} ×0.75	—	—	V	V _{DD} = 3.3 V V _{I1} = V _{I2} = 1.2 V	11
	V _{DD} ≥ 4.5V	V _{IH}	V _{DD} ×0.5	—	—	V	V _{DD} = 5.0 V V _{I1} = V _{I2} = 1.2 V	12
MR input pull-down resistance	R _{MR}	0.5	2	—	MΩ	V _{DD} = 5.5 V V _{MR} = 5.5 V	13	

Notes: 1. When capacitor C_D is completely discharged and charging starts in the state that C_D pin voltage is 0 V, the minimum value of delay time T_{DLY0} is 7 ms. However, when the discharging time is short and charging starts in the state that the voltage does not completely fall to 0 V, the minimum value of delay time T_{DLY} is 1.1 ms. Then, the minimum value of Low time (reset time) of Vo2 is 1.1 ms as the delay time T_{DLY}. Refer to Regulations for state of capacitor C_D electrical discharge and delay time on page 10 for details.

2. Refer to the characteristic curves on page 6 for temperature dependence of the main characteristics.
3. Refer to pages 8 and 9 for the test circuits.

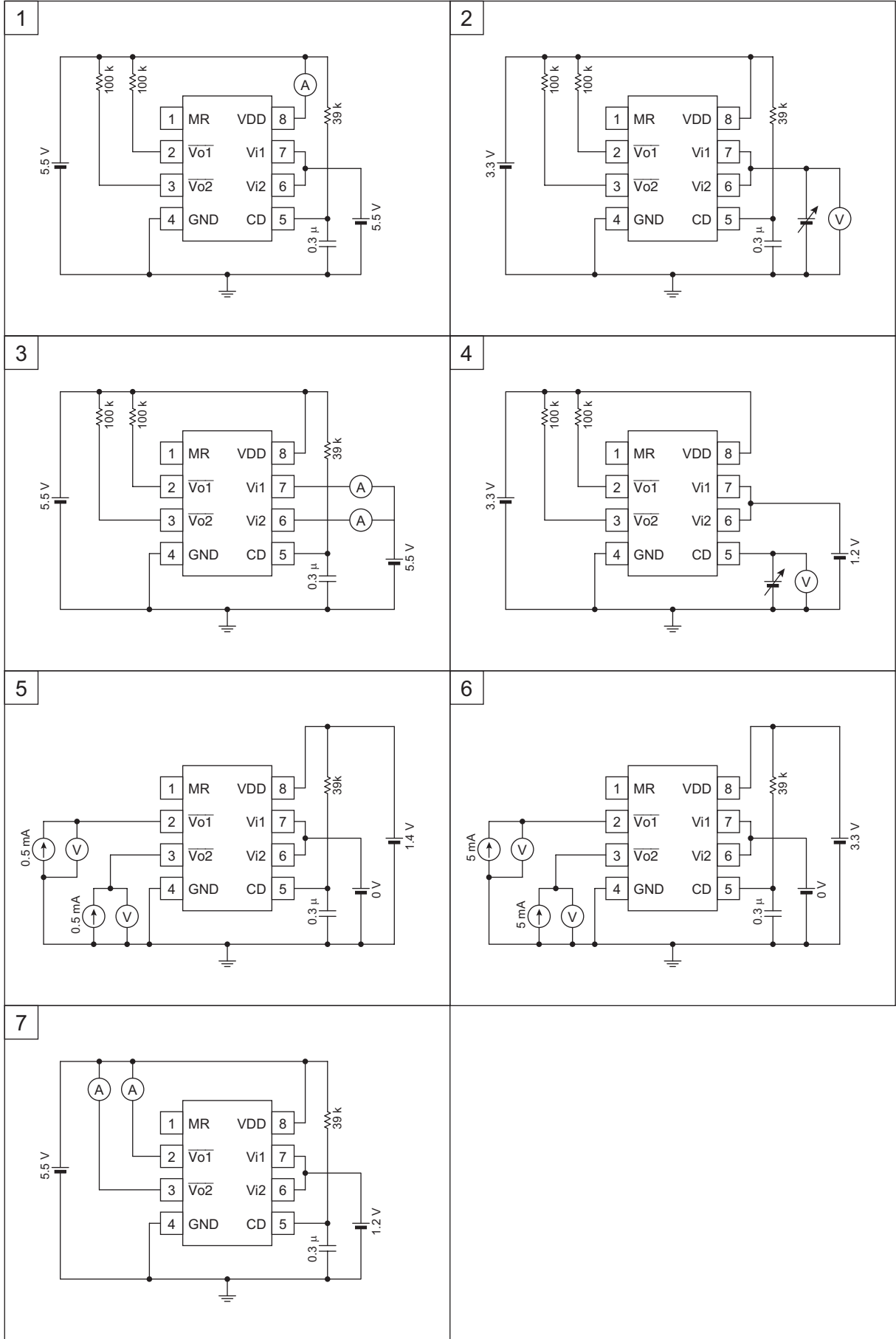
Characteristic curves



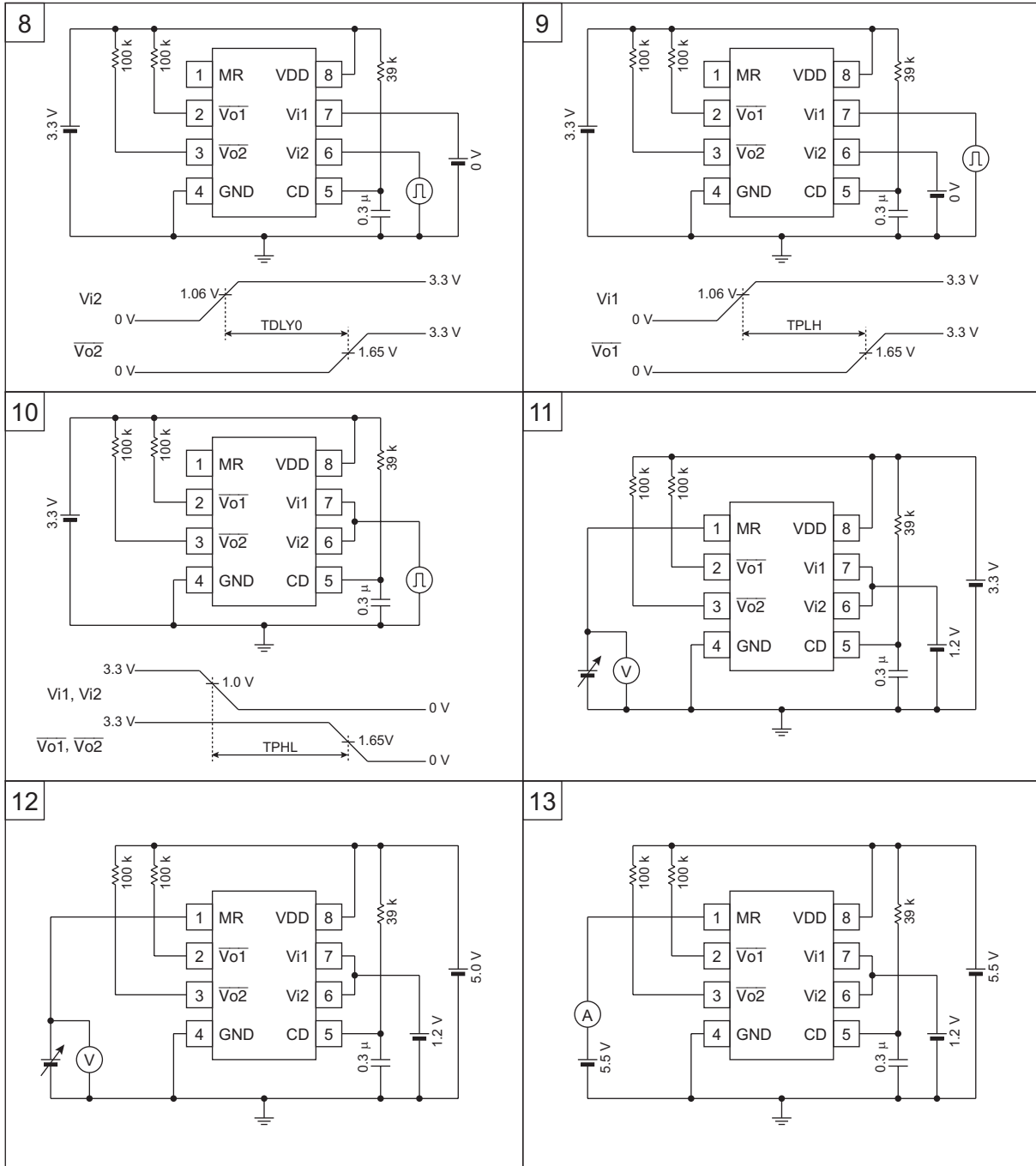
Pin Descriptions

Pin No.	Pin Name	Function
1	MR	Manual reset input pin for reset circuit 2 (the circuit with the delay function). The MR signal is active high, so applying a high level to MR sets the Vo2 pin to the low level. If $V_{i2} > V_{REF}$ when the signal on the MR pin is changed back from the high to the low level, the Vo2 pin is returned from the low to the high level after a delay time T_{DLY0} . This can be set as required. The MR pin is pulled down to the GND level via an internal 2-M Ω resistor. However, we recommend connection of the pin to the GND line when it is not in use.
2	$\overline{Vo1}$	Reset signal output pin for reset circuit 1 (the circuit with no delay function). The output is open-drain. The recommended value of the pull-up resistor (R_{L1}) is 3 k to 100 k Ω . When the voltage input on pin Vi1 falls to or below V_{REF} , the signal output from the $\overline{Vo1}$ pin is changed from the high to the low level. Since the characteristic includes hysteresis, the signal output from the $\overline{Vo1}$ pin changes from the low to the high level when the voltage input on pin Vi1 rises to or above $V_{REF}+V_{HYS}$. Refer to the timing diagram on page 4 for details.
3	$\overline{Vo2}$	Reset signal output pin for reset circuit 2 (the circuit with the delay function). The output is open-drain. The recommended value for the pull-up resistor (R_{L2}) is 3 k to 100 k Ω . When the voltage input on pin Vi2 falls to or below V_{REF} , the signal output from the $\overline{Vo2}$ pin is changed from the high to the low level. Since the input characteristic includes hysteresis, the signal output from the $\overline{Vo2}$ pin changes from the low to the high level when the voltage input on pin Vi2 rises to or above $V_{REF}+V_{HYS}$ and the set delay time T_{DLY0} has elapsed. Refer to the timing diagram on page 4 and regulations for state of capacitor C_D electrical discharge and delay time on page 10 for details.
4	GND	GND pin
5	CD	Pin for connection to the resistor (R_D) and capacitor (C_D) for setting of the delay time, T_{DLY0} . Refer to the Block Diagram and Typical Application Circuit on page 2 for an example of the connection. The relation by which the resistance and capacitance set up the delay time can be expressed as $T_{DLY0} = 0.94 \times C_D \times R_D$. Refer to this formula in determining the values of resistance and capacitance. Resistance R_D must use the one within the range of 1 k to 1 M Ω . Ensure that capacitor C_D has a value no greater than 1.3 μ F. The dependence of delay time T_{DLY0} on the values of external capacitor C_D and external resistor R_D is illustrated on page 10. To avoid errors due to noise input via the CD pin, this input includes a Schmitt-trigger inverter.
6	Vi2	Voltage input pin for reset circuit 2 (the circuit with the delay function). When the input voltage falls to or below V_{REF} , the signal output from the $\overline{Vo2}$ pin is changed to the low level. Since the input characteristic includes hysteresis, the signal output from the $\overline{Vo2}$ pin is changed from the low to the high level after the voltage input on pin Vi2 has risen to or above $V_{REF}+V_{HYS}$ and delay time T_{DLY} has elapsed. The reset-threshold voltage is derived from the power-supply voltage V_{DD2} according to the division ratio set up by resistors R_{S3} and R_{S4} as described under the block diagram and typical application circuit on page 3. To avoid shifting of the reset detection voltage being shifted by input current via the Vi2 pin, select a value no greater than 25 k Ω for parallel resistors R_{S3} and R_{S4} . Refer to the graph on page 3 for details. Besides, to avoid errors due to noise in power-supply voltage V_{DD2} , select a capacitor with superior frequency characteristics and connect it between the Vi2 and GND pins.
7	Vi1	Voltage input pin for reset circuit 1 (the circuit without the delay function). When the input voltage falls to or below V_{REF} , the signal output from the $\overline{Vo1}$ pin is changed to the low level. Since the input characteristic includes hysteresis, the signal output from the $\overline{Vo1}$ pin is changed from the low to the high level after the voltage input on pin Vi1 has risen to or above $V_{REF}+V_{HYS}$. The reset-threshold voltage is derived from the power-supply voltage V_{DD1} according to the division ratio set up by resistors R_{S1} and R_{S2} as described under the block diagram and typical application circuit on page 3. To avoid shifting of the reset detection voltage being shifted by input current via the Vi1 pin, select a value no greater than 25 k Ω for parallel resistors R_{S1} and R_{S2} . Refer to the graph on page 3 for details. Besides, to avoid errors due to noise in power-supply voltage V_{DD1} , select a capacitor with superior frequency characteristics and connect it between the Vi2 and GND pins.
8	VDD	Power-supply pin for the chip. For stable operation, select a capacitor with superior frequency characteristics and connect it between the VDD and GND pins and as close to the chip as possible. When selecting the value of the capacitor, consider aspects of the system environment such as the quality of the power supply. Refer to the block diagram and typical application circuit on page 3 for details.

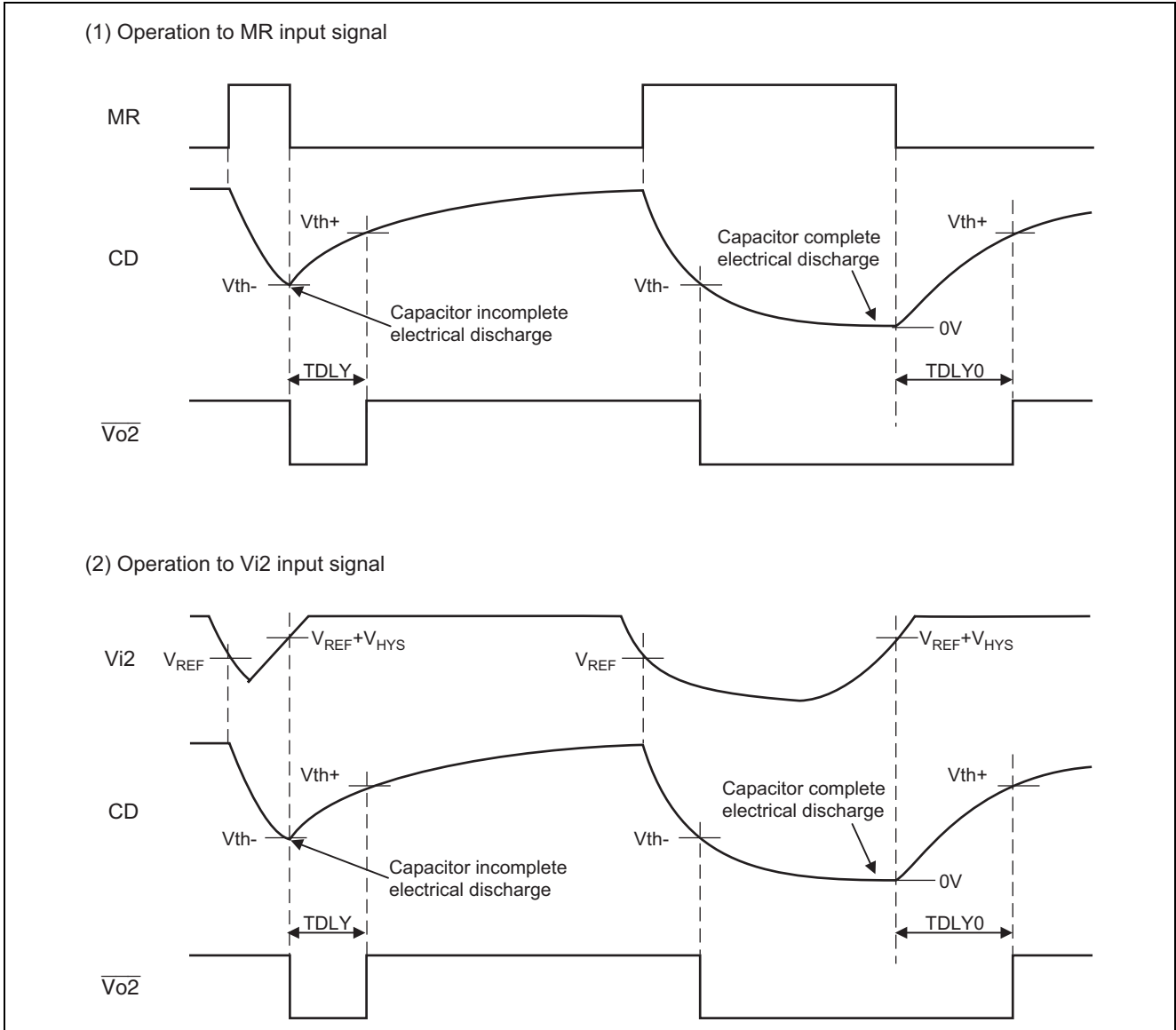
Test Circuits



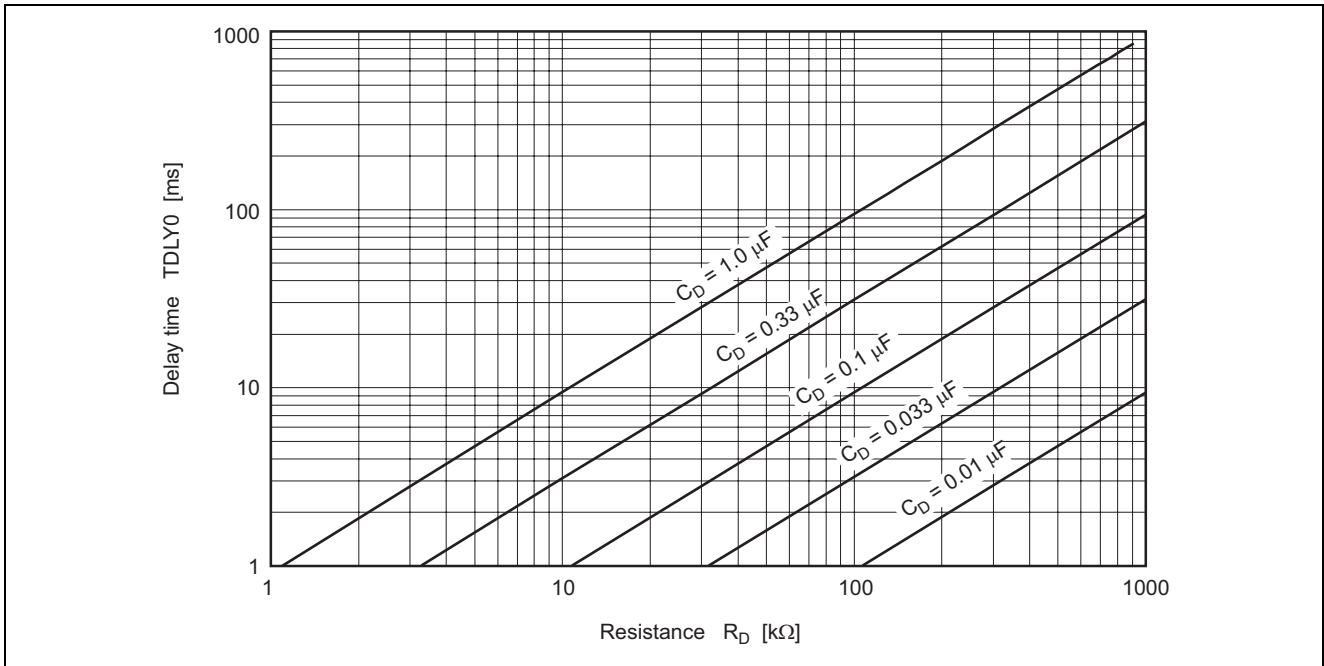
Test Circuits (cont.)



Regulations for state of capacitor C_D electrical discharge and delay time



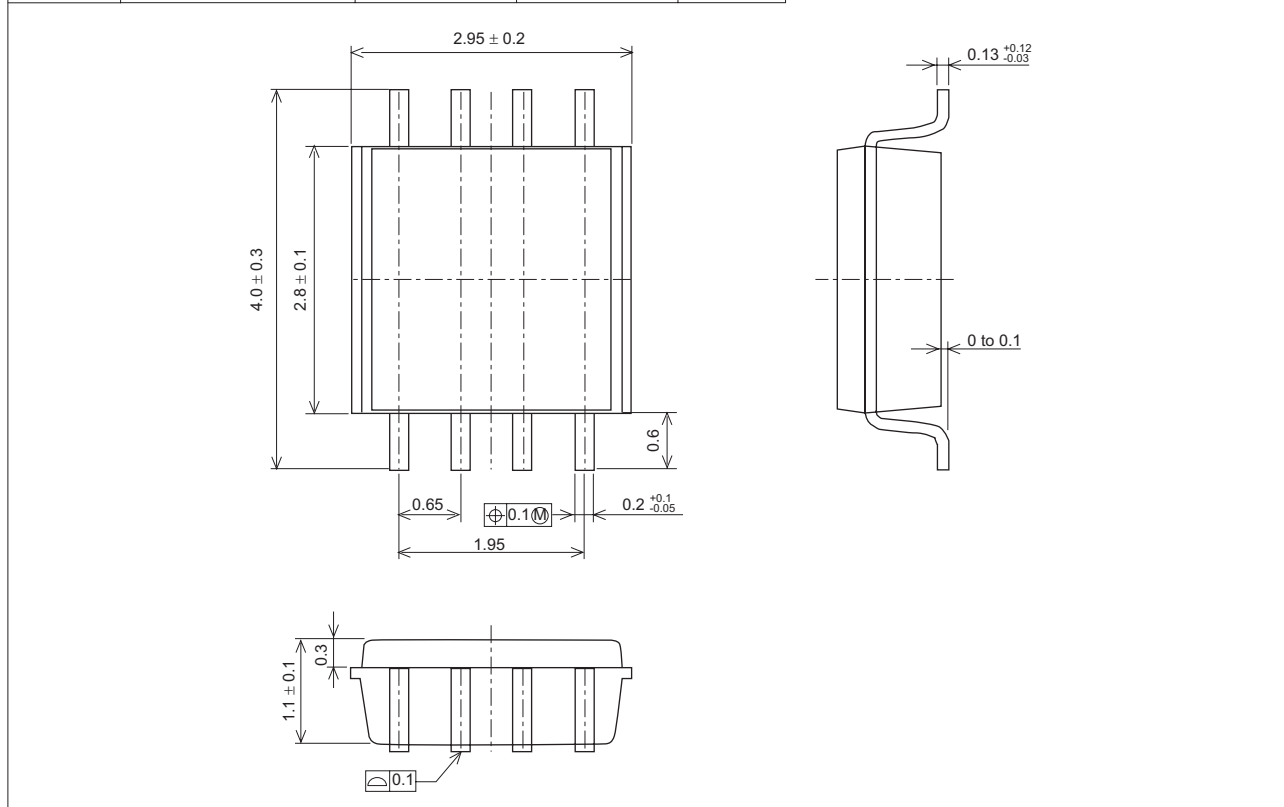
Relation between Delay Time T_{DLY} and External Component Values C_D, R_D



Package Dimensions

Package Name	JEITA Package Code	RENESAS Code	Previous Code	MASS[Typ.]
MMPAK-8	P-LSOP8-2.8 x 2.95 - 0.65	PLSP0008JC-A	—	0.02 g

Unit: mm



Notes:

1. This document is provided for reference purposes only so that Renesas customers may select the appropriate Renesas products for their use. Renesas neither makes warranties or representations with respect to the accuracy or completeness of the information contained in this document nor grants any license to any intellectual property rights or any other rights of Renesas or any third party with respect to the information in this document.
2. Renesas shall have no liability for damages or infringement of any intellectual property or other rights arising out of the use of any information in this document, including, but not limited to, product data, diagrams, charts, programs, algorithms, and application circuit examples.
3. You should not use the products or the technology described in this document for the purpose of military applications such as the development of weapons of mass destruction or for the purpose of any other military use. When exporting the products or technology described herein, you should follow the applicable export control laws and regulations, and procedures required by such laws and regulations.
4. All information included in this document such as product data, diagrams, charts, programs, algorithms, and application circuit examples, is current as of the date this document is issued. Such information, however, is subject to change without any prior notice. Before purchasing or using any Renesas products listed in this document, please confirm the latest product information with a Renesas sales office. Also, please pay regular and careful attention to additional and different information to be disclosed by Renesas such as that disclosed through our website. (<http://www.renesas.com>)
5. Renesas has used reasonable care in compiling the information included in this document, but Renesas assumes no liability whatsoever for any damages incurred as a result of errors or omissions in the information included in this document.
6. When using or otherwise relying on the information in this document, you should evaluate the information in light of the total system before deciding about the applicability of such information to the intended application. Renesas makes no representations, warranties or guarantees regarding the suitability of its products for any particular application and specifically disclaims any liability arising out of the application and use of the information in this document or Renesas products.
7. With the exception of products specified by Renesas as suitable for automobile applications, Renesas products are not designed, manufactured or tested for applications or otherwise in systems the failure or malfunction of which may cause a direct threat to human life or create a risk of human injury or which require especially high quality and reliability such as safety systems, or equipment or systems for transportation and traffic, healthcare, combustion control, aerospace and aeronautics, nuclear power, or undersea communication transmission. If you are considering the use of our products for such purposes, please contact a Renesas sales office beforehand. Renesas shall have no liability for damages arising out of the uses set forth above.
8. Notwithstanding the preceding paragraph, you should not use Renesas products for the purposes listed below:
 - (1) artificial life support devices or systems
 - (2) surgical implantations
 - (3) healthcare intervention (e.g., excision, administration of medication, etc.)
 - (4) any other purposes that pose a direct threat to human lifeRenesas shall have no liability for damages arising out of the uses set forth in the above and purchasers who elect to use Renesas products in any of the foregoing applications shall indemnify and hold harmless Renesas Technology Corp., its affiliated companies and their officers, directors, and employees against any and all damages arising out of such applications.
9. You should use the products described herein within the range specified by Renesas, especially with respect to the maximum rating, operating supply voltage range, movement power voltage range, heat radiation characteristics, installation and other product characteristics. Renesas shall have no liability for malfunctions or damages arising out of the use of Renesas products beyond such specified ranges.
10. Although Renesas endeavors to improve the quality and reliability of its products, IC products have specific characteristics such as the occurrence of failure at a certain rate and malfunctions under certain use conditions. Please be sure to implement safety measures to guard against the possibility of physical injury, and injury or damage caused by fire in the event of the failure of a Renesas product, such as safety design for hardware and software including but not limited to redundancy, fire control and malfunction prevention, appropriate treatment for aging degradation or any other applicable measures. Among others, since the evaluation of microcomputer software alone is very difficult, please evaluate the safety of the final products or system manufactured by you.
11. In case Renesas products listed in this document are detached from the products to which the Renesas products are attached or affixed, the risk of accident such as swallowing by infants and small children is very high. You should implement safety measures so that Renesas products may not be easily detached from your products. Renesas shall have no liability for damages arising out of such detachment.
12. This document may not be reproduced or duplicated, in any form, in whole or in part, without prior written approval from Renesas.
13. Please contact a Renesas sales office if you have any questions regarding the information contained in this document, Renesas semiconductor products, or if you have any other inquiries.



RENESAS SALES OFFICES

<http://www.renesas.com>

Refer to "<http://www.renesas.com/en/network>" for the latest and detailed information.

Renesas Technology America, Inc.
450 Holger Way, San Jose, CA 95134-1368, U.S.A
Tel: <1> (408) 382-7500, Fax: <1> (408) 382-7501

Renesas Technology Europe Limited
Dukes Meadow, Millboard Road, Bourne End, Buckinghamshire, SL8 5FH, U.K.
Tel: <44> (1628) 585-100, Fax: <44> (1628) 585-900

Renesas Technology (Shanghai) Co., Ltd.
Unit 204, 205, AZIACenter, No.1233 Lujiazui Ring Rd, Pudong District, Shanghai, China 200120
Tel: <86> (21) 5877-1818, Fax: <86> (21) 6887-7858/7898

Renesas Technology Hong Kong Ltd.
7th Floor, North Tower, World Finance Centre, Harbour City, Canton Road, Tsimshatsui, Kowloon, Hong Kong
Tel: <852> 2265-6688, Fax: <852> 2377-3473

Renesas Technology Taiwan Co., Ltd.
10th Floor, No.99, Fushing North Road, Taipei, Taiwan
Tel: <886> (2) 2715-2888, Fax: <886> (2) 3518-3399

Renesas Technology Singapore Pte. Ltd.
1 Harbour Front Avenue, #06-10, Keppel Bay Tower, Singapore 098632
Tel: <65> 6213-0200, Fax: <65> 6278-8001

Renesas Technology Korea Co., Ltd.
Kukje Center Bldg. 18th Fl., 191, 2-ka, Hangang-ro, Yongsan-ku, Seoul 140-702, Korea
Tel: <82> (2) 796-3115, Fax: <82> (2) 796-2145

Renesas Technology Malaysia Sdn. Bhd
Unit 906, Block B, Menara Amcorp, Amcorp Trade Centre, No.18, Jln Persiaran Barat, 46050 Petaling Jaya, Selangor Darul Ehsan, Malaysia
Tel: <603> 7955-9390, Fax: <603> 7955-9510