

RAA215300

High Performance 9-Channel PMIC Supporting DDR Memory, with Built-In Charger and RTC

The RAA215300 is a high-performance, low-cost 9-channel PMIC designed for 32-bit and 64-bit MCU and MPU applications. It supports DDR3, DDR3L, DDR4, and LPDDR4 memory power requirements. The internally compensated regulators, built-in Real-Time Clock (RTC), 32kHz crystal oscillator, and coin cell battery charger provide a highly integrated, small footprint power solution ideal for System-On-Module (SOM) applications. A spread spectrum feature provides an ease-of-use solution for noise-sensitive audio or RF applications.

The RAA215300 has six high-efficiency buck regulators and three LDOs to provide a complete power system. The internal device registers and EEPROM can configure and optimize the RAA215300 for different application requirements, for example, power sequences, output voltages, and switching frequencies. Dynamic Voltage Scaling (DVS) and Sleep modes are supported.

The RAA215300 is available in an 8x8mm, 0.5mm pitch thermally enhanced 56-lead QFN package and is specified for operation across a -40°C to 105°C ambient and -40°C to 125°C junction temperature range.

Features

- Input operating voltage range: 2.7V to 5.5V
- 6 synchronous buck regulators (supporting 5A, 3.5A, 2x1.5A, 1A, 0.6A), with settable V<sub>OUT</sub>
- 3 LDOs (supporting 2x300mA, 50mA), with bypass mode, and settable V<sub>OUT</sub>
- Dedicated VTTREF for DDR memory
- Auto PFM/PWM, FPWM and ultrasonic modes, with selectable PWM f<sub>SW</sub>
- Built-in 32kHz crystal oscillator (with bypass), RTC, and coin cell/supercapacitor battery charger
- DVS and sleep modes
- Internally compensated
- Spread spectrum
- I<sup>2</sup>C serial interface (up to 1MHz)
- Pb-free (RoHS compliant)

Applications

- MCU/MPU/SoC consumer and industrial power
- FPGA system power
- Building/factory automation system power

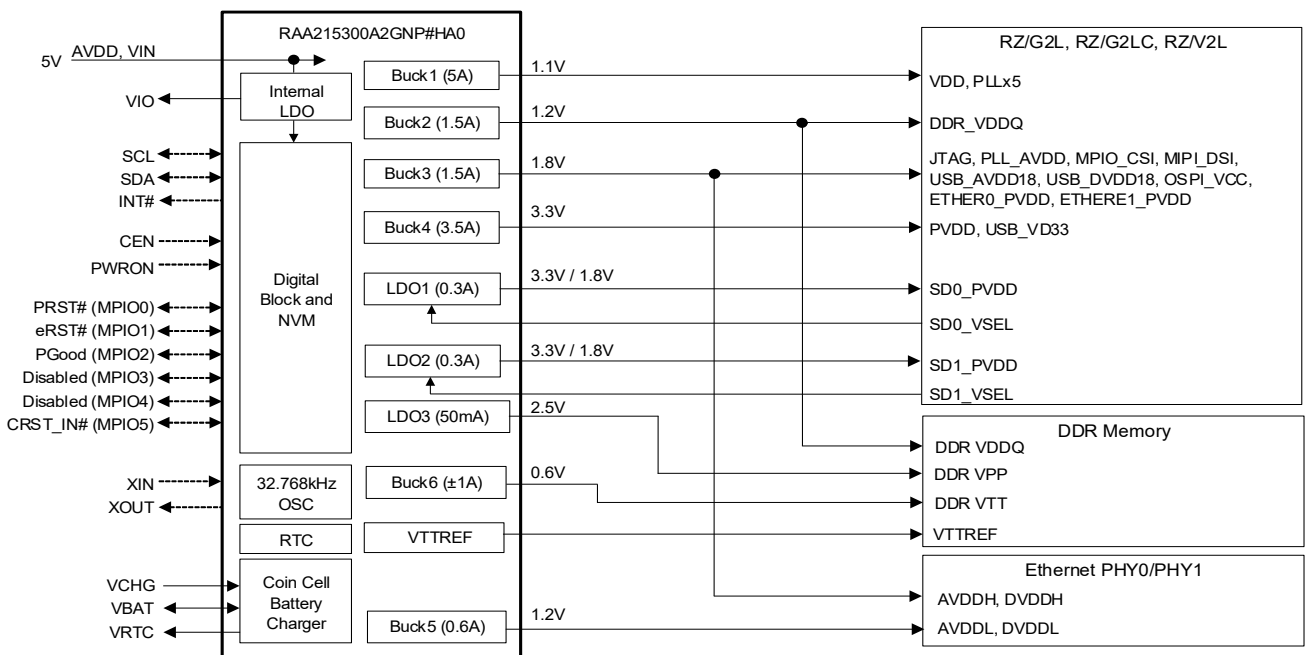


Figure 1. Typical Application Diagram - MPU Power (RZ/G2L, RZ/G2LC, RZ/V2L)

# Contents

|  |           |
|--|-----------|
| <b>1. Overview</b>                                     | <b>5</b>  |
| 1.1 Typical Application                                | 5         |
| 1.2 Block Diagram                                      | 6         |
| <b>2. Pin Information</b>                              | <b>7</b>  |
| 2.1 Pin Assignments                                    | 7         |
| 2.2 Pin Descriptions                                   | 7         |
| <b>3. Specifications</b>                               | <b>10</b> |
| 3.1 Absolute Maximum Ratings                           | 10        |
| 3.2 Thermal Information                                | 10        |
| 3.3 Recommended Operation Conditions                   | 11        |
| 3.4 Electrical Specifications                          | 11        |
| <b>4. Typical Performance Graphs</b>                   | <b>27</b> |
| <b>5. Serial Interface</b>                             | <b>28</b> |
| 5.1 I <sup>2</sup> C General Operation                 | 28        |
| 5.1.1 Data Validity                                    | 28        |
| 5.1.2 START and STOP Condition                         | 28        |
| 5.1.3 Byte Format                                      | 28        |
| 5.1.4 Acknowledge (ACK)                                | 28        |
| 5.1.5 Not Acknowledge (NACK)                           | 29        |
| 5.1.6 Device Address and R/W Bit                       | 29        |
| 5.2 Device Communication Protocol                      | 29        |
| 5.2.1 7-bit Device Addresses                           | 29        |
| 5.2.2 Register Size                                    | 29        |
| 5.2.3 I <sup>2</sup> C Write Operation                 | 29        |
| 5.2.4 I <sup>2</sup> C Read Operation                  | 30        |
| 5.2.5 I <sup>2</sup> C Timing                          | 31        |
| 5.3 Unimplemented Registers                            | 32        |
| <b>6. Registers and EEPROM</b>                         | <b>32</b> |
| 6.1 EEPROM   | 32        |
| 6.1.1 Writing to the EEPROM                            | 32        |
| 6.1.2 Recalling the EEPROM                             | 33        |
| 6.2 EEPROM Error Correction                            | 33        |
| 6.2.1 ECC Bank Detail Bits                             | 34        |
| <b>7. Power Supplies</b>                               | <b>34</b> |
| 7.1 Internal LDO (VIO)                                 | 34        |
| 7.2 VCHG, VBAT, and VRTC                               | 34        |
| <b>8. Operating {States} and Transition Conditions</b> | <b>35</b> |
| 8.1 {RESET}  | 35        |
| 8.2 {READ_EE}  | 35        |
| 8.3 {WAIT_FOR_VIO}                                     | 35        |
| 8.4 {STANDBY}  | 35        |
| 8.4.1 {STANDBY_EXIT}                                   | 35        |
| 8.4.2 {STANDBY_TO_ACTIVE}                              | 35        |
| 8.4.3 {ACTIVE_TO_STANDBY}                              | 35        |

|           |  |           |
|-----------|--|-----------|
| 8.5       | {ACTIVE}   | 35        |
| 8.6       | {IORESET}  | 36        |
| 8.6.1     | {IORESET_TO_ACTIVE}                                  | 36        |
| 8.7       | {SLEEP}  | 36        |
| 8.7.1     | {ACTIVE_TO_SLEEP}                                    | 36        |
| 8.7.2     | {SLEEP_TO_ACTIVE}                                    | 36        |
| 8.8       | {FAULT_OUT}  | 36        |
| <b>9.</b> | <b>Functional Blocks and Application Information</b> | <b>38</b> |
| 9.1       | Chip Enable  | 38        |
| 9.2       | PWRON  | 38        |
| 9.3       | Multi Purpose I/O                                    | 38        |
| 9.3.1     | Unused MPIOx Pin                                     | 39        |
| 9.3.2     | External VR PGOOD Input                              | 39        |
| 9.3.3     | Input to I <sup>2</sup> C Register                   | 41        |
| 9.3.4     | PGOOD Output   | 41        |
| 9.3.5     | Reset Output   | 41        |
| 9.3.6     | External VR EN Output                                | 41        |
| 9.3.7     | Output to I <sup>2</sup> C Register                  | 42        |
| 9.3.8     | 32kHz Clock (32K_CLK)                                | 42        |
| 9.3.9     | SLEEP#   | 42        |
| 9.3.10    | WDT_RST#   | 42        |
| 9.3.11    | CRST_IN#   | 43        |
| 9.3.12    | Alternative Decodes for MPIOx functions              | 44        |
| 9.4       | Watchdog Timer                                       | 44        |
| 9.5       | Power Sequencing                                     | 46        |
| 9.5.1     | Power-ON   | 46        |
| 9.5.2     | Power-OFF  | 46        |
| 9.6       | Warm and Cold Reset                                  | 49        |
| 9.7       | Output Discharge                                     | 50        |
| 9.8       | DVS  | 50        |
| 9.9       | Real-Time Clock                                      | 51        |
| 9.9.1     | Clock  | 51        |
| 9.9.2     | Alarm  | 52        |
| 9.9.3     | Frequency Output                                     | 52        |
| 9.9.4     | General Purpose User SRAM                            | 53        |
| 9.9.5     | Power Control Operation                              | 53        |
| 9.9.6     | Power Failure Detection                              | 53        |
| 9.9.7     | Crystal Oscillator                                   | 53        |
| 9.9.8     | Using an External Clock                              | 56        |
| 9.9.9     | Real-Time Clock Registers                            | 56        |
| 9.10      | Coin Cell Battery Charger                            | 60        |
| 9.10.1    | Supercapacitor Backup Time                           | 60        |
| 9.11      | Buck Regulators                                      | 61        |
| 9.11.1    | Buck1  | 61        |
| 9.11.2    | Buck2  | 61        |
| 9.11.3    | Buck3  | 61        |
| 9.11.4    | Buck4  | 61        |
| 9.11.5    | Buck5  | 61        |
| 9.11.6    | Buck6  | 62        |

|            |  |            |
|------------|--|------------|
| 9.11.7     | Buck Operating Modes                                 | 62         |
| 9.11.8     | Ultrasonic Mode                                      | 62         |
| 9.11.9     | Unused Buck  | 62         |
| 9.11.10    | Switching Frequency                                  | 62         |
| 9.11.11    | Spread Spectrum                                      | 63         |
| 9.11.12    | Phase Synchronization                                | 63         |
| 9.12       | LDO Regulators                                       | 63         |
| 9.12.1     | LDO1/2   | 64         |
| 9.12.2     | LDO3   | 64         |
| 9.12.3     | LDOx Bypass  | 64         |
| 9.12.4     | Unused LDOx  | 64         |
| 9.13       | VTTREF   | 64         |
| 9.13.1     | Unused VTTREF  | 65         |
| 9.14       | Pre-bias Startup                                     | 65         |
| 9.15       | Device Monitors, Warnings, and Protections           | 65         |
| 9.15.1     | Input Voltage Monitor (AVDD Undervoltage Power Down) | 65         |
| 9.15.2     | AVDD UVLO  | 66         |
| 9.15.3     | VREFIN UVLO  | 66         |
| 9.15.4     | Over-Temperature Warning and Protection              | 66         |
| 9.15.5     | High Current Warning                                 | 67         |
| 9.15.6     | Overvoltage and Undervoltage Protection              | 67         |
| 9.15.7     | Interrupt  | 67         |
| 9.15.8     | Fault and Status Monitoring                          | 67         |
| 9.16       | Maximum Recommended Power Dissipation                | 69         |
| <b>10.</b> | <b>External Component Selection</b>                  | <b>70</b>  |
| 10.1       | Output Filters                                       | 70         |
| 10.1.1     | Inductor Selection                                   | 70         |
| 10.1.2     | Output Capacitor Selection                           | 70         |
| 10.2       | Input Capacitor Selection                            | 70         |
| 10.3       | Recommended External Components                      | 71         |
| 10.4       | Recommended Effective Capacitance                    | 73         |
| <b>11.</b> | <b>Layout Guidelines</b>                             | <b>74</b>  |
| 11.1       | Power Ground (PGND)                                  | 74         |
| 11.2       | Analog Ground (AGND)                                 | 74         |
| 11.3       | Digital Ground                                       | 74         |
| 11.4       | Exposed Pad (EPAD)                                   | 74         |
| 11.5       | Buck Regulators                                      | 74         |
| 11.6       | Linear Regulators (LDOs)                             | 75         |
| 11.7       | Crystal Oscillator                                   | 75         |
| 11.8       | Device Specific Layout Guidelines                    | 75         |
| <b>12.</b> | <b>Register Map</b>                                  | <b>78</b>  |
| 12.1       | Register Map Detail                                  | 78         |
| <b>13.</b> | <b>Package Outline Drawing</b>                       | <b>125</b> |
| <b>14.</b> | <b>Ordering Information</b>                          | <b>126</b> |
| <b>15.</b> | <b>Revision History</b>                              | <b>126</b> |

# 1. Overview

## 1.1 Typical Application

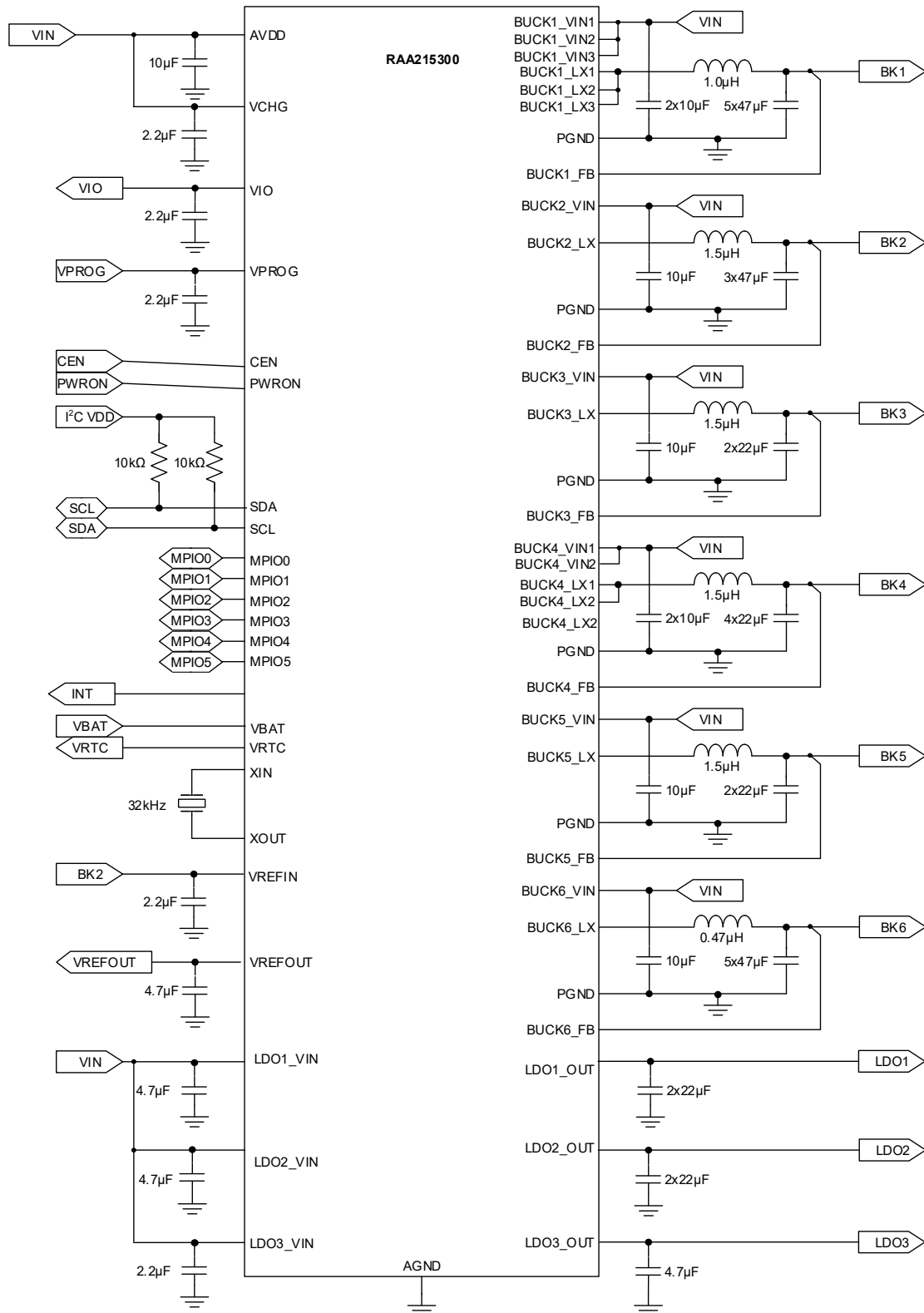


Figure 2. Typical Application Diagram

## 1.2 Block Diagram

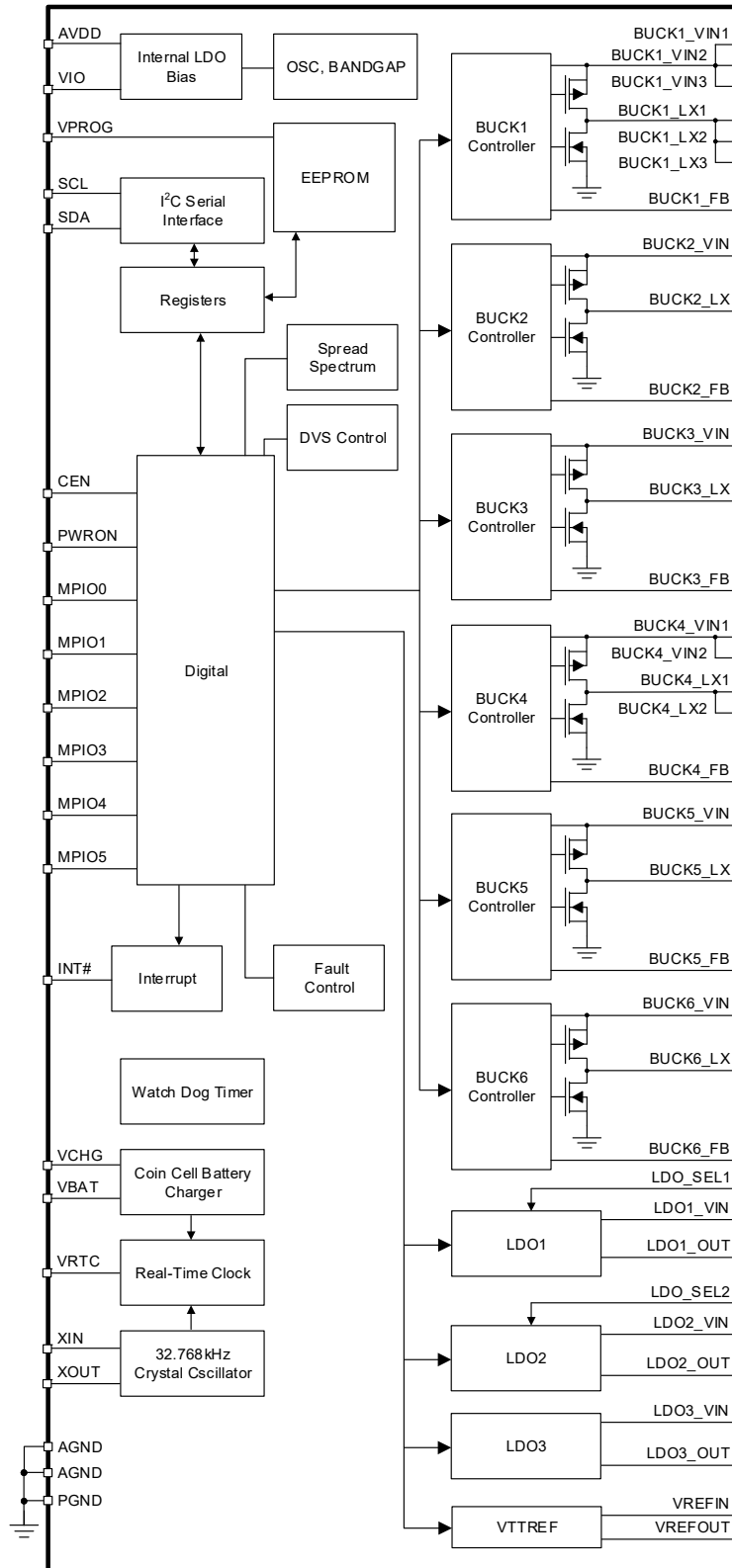
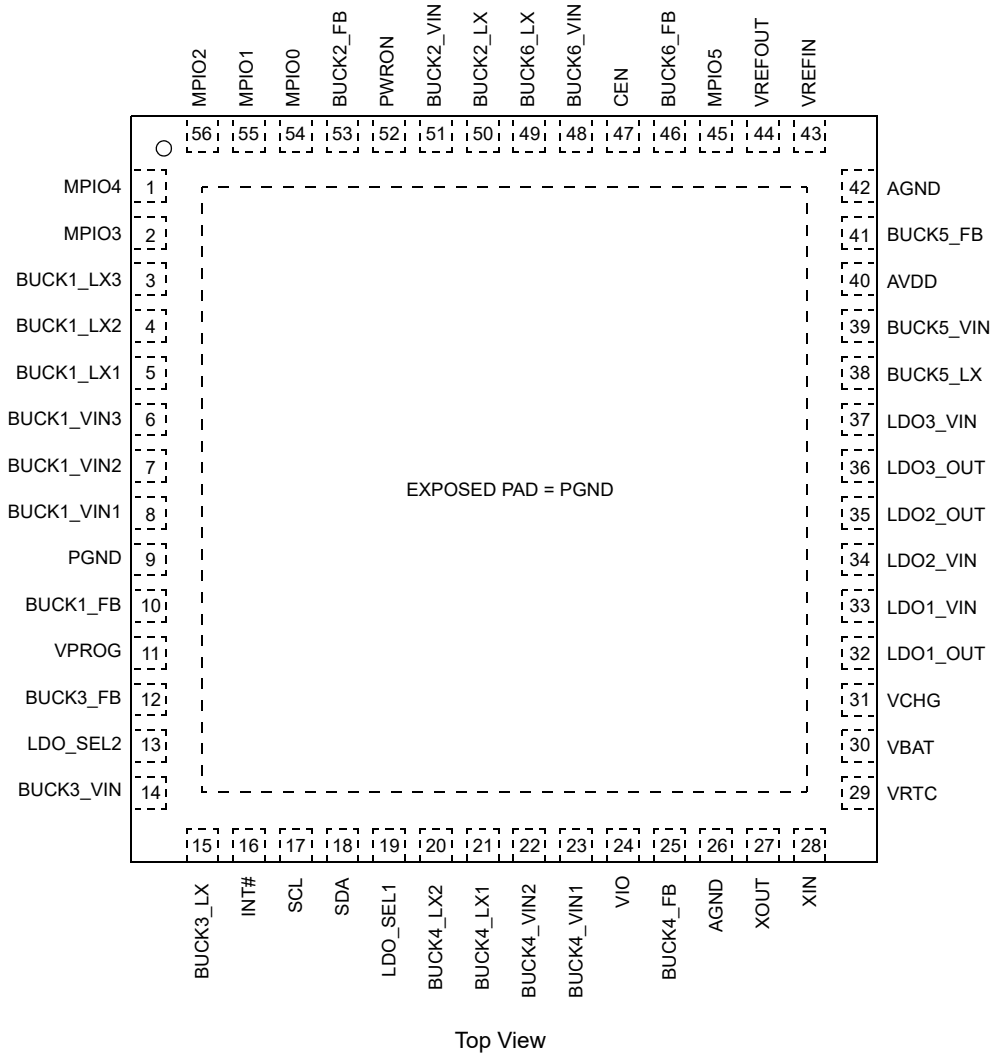


Figure 3. Block Diagram

## 2. Pin Information

### 2.1 Pin Assignments



### 2.2 Pin Descriptions

| Pin Number | Pin Name                  | Type         | Description                             |
|------------|---------------------------|--------------|---|
| 1          | MPIO4 <sup>[1]</sup>      | Input/Output | Multiple general purpose input-output 4 |
| 2          | MPIO3 <sup>[1]</sup>      | Input/Output | Multiple general purpose input-output 3 |
| 3          | BUCK1_LX3                 | Output       | Buck1 switch node                       |
| 4          | BUCK1_LX2                 | Output       | Buck1 switch node                       |
| 5          | BUCK1_LX1                 | Output       | Buck1 switch node                       |
| 6          | BUCK1_VIN3 <sup>[2]</sup> | Power        | Buck1 supply                            |
| 7          | BUCK1_VIN2 <sup>[2]</sup> | Power        | Buck1 supply                            |
| 8          | BUCK1_VIN1 <sup>[2]</sup> | Power        | Buck1 supply                            |
| 9          | PGND                      | Ground       | Power ground                            |

| Pin Number | Pin Name                  | Type         | Description  |
|------------|---------------------------|--------------|--|
| 10         | BUCK1_FB                  | Input        | Buck1 feedback   |
| 11         | VPROG                     | Power        | High voltage supply input for EEPROM programming. Connect to ground in typical application.  |
| 12         | BUCK3_FB                  | Input        | Buck3 feedback   |
| 13         | LDO_SEL2                  | Input        | Logic input. Select LDO2 output voltage.   |
| 14         | BUCK3_VIN <sup>[2]</sup>  | Power        | Buck3 supply   |
| 15         | BUCK3_LX                  | Output       | Buck3 switch node  |
| 16         | INT#                      | Output       | Interrupt output, open-drain, active low. It can also be configured as clock signal output in Frequency Output (FOUT) mode of the RTC.                                   |
| 17         | SCL                       | Input        | I <sup>2</sup> C serial clock  |
| 18         | SDA                       | Input/Output | Bidirectional I <sup>2</sup> C serial data   |
| 19         | LDO_SEL1                  | Input        | Logic input. Select LDO1 output voltage.   |
| 20         | BUCK4_LX2                 | Output       | Buck4 switch node  |
| 21         | BUCK4_LX1                 | Output       | Buck4 switch node  |
| 22         | BUCK4_VIN2 <sup>[2]</sup> | Power        | Buck4 supply   |
| 23         | BUCK4_VIN1 <sup>[2]</sup> | Power        | Buck4 supply   |
| 24         | VIO                       | Output       | Internal 1.8V LDO output   |
| 25         | BUCK4_FB                  | Input        | Buck4 feedback   |
| 26, 42     | AGND                      | Ground       | Analog and digital ground  |
| 27         | XOUT                      | Output       | Crystal oscillator output. Connect to ground if not used.  |
| 28         | XIN                       | Input        | Crystal oscillator input. Connect to ground if not used.   |
| 29         | VRTC                      | Power        | Real-time clock (RTC) power supply. An output that provides power to the RTC and is generated internally from the higher of VBAT and VCHG. If not used, leave VRTC open. |
| 30         | VBAT                      | Power        | Charger output to coin cell battery or supercapacitor, or RTC input supply when running from coin cell battery or supercapacitor. If not used, connect to GND.           |
| 31         | VCHG                      | Power        | Input Supply for VIO LDO, Coin cell battery charger and RTC input power. AVDD, VCHG, and BUCKx_VINx must be the same voltage.  |
| 32         | LDO1_OUT                  | Output       | LDO1 output  |
| 33         | LDO1_VIN                  | Power        | LDO1 supply  |
| 34         | LDO2_VIN                  | Power        | LDO2 supply  |
| 35         | LDO2_OUT                  | Output       | LDO2 output  |
| 36         | LDO3_OUT                  | Output       | LDO3 output  |
| 37         | LDO3_VIN                  | Power        | LDO3 supply  |
| 38         | BUCK5_LX                  | Output       | Buck5 switch node  |
| 39         | BUCK5_VIN <sup>[2]</sup>  | Power        | Buck5 supply   |
| 40         | AVDD                      | Power        | Analog and digital supply. AVDD, VCHG, and BUCKx_VINx must be the same voltage.  |
| 41         | BUCK5_FB                  | Input        | Buck5 feedback   |



| Pin Number | Pin Name                 | Type         | Description  |
|------------|--------------------------|--------------|--|
| 43         | VREFIN                   | Input        | Input to VTTREF block.<br><i>Note:</i> Pin has a 1M $\Omega$ (typical) internal resistor to GND. |
| 44         | VREFOUT                  | Output       | Output from VTTREF block, with value equal to (VREFIN/2). Used as reference for VTT.             |
| 45         | MPIO5 <sup>[1]</sup>     | Input/Output | Configurable multiple purpose input-output 5   |
| 46         | BUCK6_FB                 | Input        | Buck6 feedback   |
| 47         | CEN                      | Input        | Chip enable, active high   |
| 48         | BUCK6_VIN <sup>[2]</sup> | Power        | Buck6 supply   |
| 49         | BUCK6_LX                 | Output       | Buck6 switch node  |
| 50         | BUCK2_LX                 | Output       | Buck2 switch node  |
| 51         | BUCK2_VIN <sup>[2]</sup> | Power        | Buck2 supply   |
| 52         | PWRON                    | Input        | Regulator output enable  |
| 53         | BUCK2_FB                 | Input        | Buck2 feedback   |
| 54         | MPIO0 <sup>[1]</sup>     | Input/Output | Configurable multiple purpose input-output 0   |
| 55         | MPIO1 <sup>[1]</sup>     | Input/Output | Configurable multiple purpose input-output 1   |
| 56         | MPIO2 <sup>[1]</sup>     | Input/Output | Configurable multiple purpose input-output 2   |
| -          | EPAD                     | Ground       | Exposed thermal pad. Power ground.<br>All regulator PGNDs are internally downbonded to the EPAD. |

1. See [Multi Purpose I/O](#) for pin function mapping.
2. All buck supplies (BUCKx\_VINx) = AVDD = VCHG.

### 3. Specifications

#### 3.1 Absolute Maximum Ratings

CAUTION: Do not operate at or near the maximum ratings listed for extended periods of time. Exposure to such conditions can adversely impact product reliability and result in failures not covered by warranty.

| Parameter  | Minimum | Maximum | Unit |
|--|---------|---------|------|
| <b>Voltage (to PGND unless otherwise stated)</b> |         |         |      |
| BUCKx_VINx, AVDD, VCHG                           | -0.3    | 6       | V    |
| VBAT   | -0.3    | 6       | V    |
| BUCKx_FB   | -0.3    | 6       | V    |
| BUCKx_LXx  | -0.3    | 6       | V    |
| BUCKx_LXx <sup>[1]</sup>                         | -       | 6.7     | V    |
| AGND, PGND                                       | -0.3    | 0.3     | V    |
| VPROG  | -0.3    | 24      | V    |
| All other pins                                   | -0.3    | 6       | V    |
| Human Body Model (Tested per JS-001-2017)        | -       | ±2      | kV   |
| Charged Device Model (Tested per JS-002-2018)    | -       | ±500    | V    |
| Latch-Up (Tested per JESD78E; Class 2, Level A)  | -       | 100     | mA   |

1. ≤20ns duration

#### 3.2 Thermal Information

| Parameter          | Package                 | Symbol                       | Conditions       | Typical Value | Unit |
|--------------------|-------------------------|------------------------------|------------------|---------------|------|
| Thermal Resistance | 56LD, 8x8mm QFN Package | $\theta_{JA}$ <sup>[1]</sup> | Junction to air  | 23            | °C/W |
|                    |                         | $\theta_{JC}$ <sup>[2]</sup> | Junction to case | 0.7           | °C/W |

1.  $\theta_{JA}$  is measured in free air with the component mounted on a high-effective thermal conductivity test board with direct attach features. See [TB379](#).

2. For  $\theta_{JC}$ , the case temperature location is the center of the exposed metal pad on the package underside.

| Parameter                                   | Minimum                   | Maximum | Unit |
|---|---------------------------|---------|------|
| Maximum Junction Temperature ( $T_J$ )      | -                         | +150    | °C   |
| Maximum Storage Temperature Range ( $T_S$ ) | -65                       | +150    | °C   |
| Pb-Free Reflow Profile                      | see <a href="#">TB493</a> |         |      |

### 3.3 Recommended Operation Conditions

Voltages referred to PGND unless otherwise stated.

| Parameter                                     | Minimum | Maximum | Unit |
|---|---------|---------|------|
| Ambient Operating Temperature Range ( $T_A$ ) | -40     | +105    | °C   |
| Operating Junction Temperature ( $T_J$ )      | -       | +125    | °C   |
| BUCKx_VINx, AVDD, VCHG                        | 2.7     | 5.5     | V    |
| VBAT  | 1.8     | 5.5     | V    |
| MPIOx   | -       | 5       | V    |
| CEN, PWRON                                    | -       | 5       | V    |
| VPROG   | 0       | 23      | V    |
| SCL, SDA                                      | 0       | 3.3     | V    |

### 3.4 Electrical Specifications

AVDD = VCHG = BUCKx\_VINx = 5V, BUCK1\_FB = 1.1V, BUCK2\_FB = 1.2V, BUCK3\_FB = 1.8V, BUCK4\_FB = 3.3V, BUCK5\_FB = 1.2V, BUCK6\_FB = 0.6V, LDOx\_VIN = 5V, LDO1\_OUT = 3.3V, LDO2\_OUT = 3.3V, LDO3\_OUT = 2.5V, CEN = HIGH, PWRON = HIGH, AGND = PGND, unless otherwise specified. External components as listed in [External Component Selection](#) section (or equivalent), unless otherwise stated. Typical entries apply at +25°C. **Boldface limits apply across the ambient operating temperature range -40°C to +105°C, unless otherwise stated.**

| Parameter   | Symbol                   | Test Conditions <sup>[1]</sup>   | Min <sup>[2]</sup> | Typ  | Max <sup>[2]</sup> | Unit |
|---|--------------------------|--|--------------------|------|--------------------|------|
| <b>Input Supply</b>                               |                          |  |                    |      |                    |      |
| AVDD Input Operating Range                        | AVDD <sub>OP</sub>       | AVDD = VCHG = BUCKx_VINx   | <b>2.7</b>         | 5    | <b>5.5</b>         | V    |
| BUCK Input Operating Range                        | BUCK <sub>OP</sub>       | BUCKx_VINx   | <b>2.7</b>         | 5    | <b>5.5</b>         | V    |
| LDO Input Operating Range                         | LDO <sub>OP</sub>        | LDOx_VIN   | <b>2.7</b>         | 3.3  | <b>5.5</b>         | V    |
| VCHG Input Operating Range                        | VCHG <sub>OP</sub>       | AVDD = VCHG = BUCKx_VINx   | <b>2.7</b>         | 5    | <b>5.5</b>         | V    |
| VCHG Falling Slew Rate <sup>[3]</sup>             | VCHG <sub>FALL</sub>     | To ensure POR operation of RTC do not exceed the maximum falling slew rate. AVDD = VCHG = BUCKx_VINx | -                  | -    | <b>5</b>           | V/ms |
| AVDD Undervoltage Lockout Threshold               | AVDD <sub>UVLO_R</sub>   | Rising threshold   | -                  | 2.3  | -                  | V    |
|   | AVDD <sub>UVLO_F</sub>   | Falling threshold  | -                  | 2.1  | -                  | V    |
|   | AVDD <sub>UVLO_HYS</sub> | AVDD <sub>UVLO_HYS</sub> = AVDD <sub>UVLO_R</sub> - AVDD <sub>UVLO_F</sub>                           | -                  | 200  | -                  | mV   |
| AVDD Undervoltage Power Down Threshold            | AVDD <sub>UVPD_F</sub>   | Falling AVDD, 2.7V setting   | -                  | 2.7  | -                  | V    |
|   |                          | Falling AVDD, 3.0V setting   | -                  | 3.0  | -                  |      |
|   |                          | Falling AVDD, 4.25V setting  | -                  | 4.25 | -                  |      |
| AVDD Undervoltage Power Down Threshold Accuracy   | AVDD <sub>UVPD_ACC</sub> | Falling AVDD   | <b>-3</b>          |      | <b>3</b>           | %    |
| AVDD Undervoltage Power Down Threshold Hysteresis | AVDD <sub>UVPD_HYS</sub> | AVDD <sub>UVPD_HYS</sub> = AVDD <sub>UVPD_R</sub> - AVDD <sub>UVPD_F</sub>                           | -                  | 100  | -                  | mV   |

AVDD = VCHG = BUCKx\_VINx = 5V, BUCK1\_FB = 1.1V, BUCK2\_FB = 1.2V, BUCK3\_FB = 1.8V, BUCK4\_FB = 3.3V, BUCK5\_FB = 1.2V, BUCK6\_FB = 0.6V, LDOx\_VIN = 5V, LDO1\_OUT = 3.3V, LDO2\_OUT = 3.3V, LDO3\_OUT = 2.5V, CEN = HIGH, PWRON = HIGH, AGND = PGND, unless otherwise specified. External components as listed in [External Component Selection](#) section (or equivalent), unless otherwise stated. Typical entries apply at +25°C. **Boldface limits apply across the ambient operating temperature range -40°C to +105°C, unless otherwise stated. (Cont.)**

| Parameter                               | Symbol                    | Test Conditions <sup>[1]</sup>   | Min <sup>[2]</sup> | Typ | Max <sup>[2]</sup> | Unit |
|---|---------------------------|--|--------------------|-----|--------------------|------|
| AVDD UVPD Delay                         | AVDD <sub>UVPD_DLY</sub>  | Falling AVDD   | -                  | 100 | -                  | μs   |
| <b>Operating Bias Current</b>           |                           |  |                    |     |                    |      |
| {SHUTDOWN} Supply Current               | I <sub>SHDN_AVDD</sub>    | Current into AVDD, CEN = LOW, T <sub>A</sub> = 25°C  | -                  | <1  | <b>7</b>           | μA   |
| {SHUTDOWN} Supply Current               | I <sub>SHDN_VCHG</sub>    | Current into VCHG, VBAT < VCHG<br>CEN = LOW, T <sub>A</sub> = 25°C   | -                  | 400 | <b>950</b>         | nA   |
| RTC Battery Supply Current              | I <sub>BAT</sub>          | VBAT = 3V, AVDD = VCHG = 0V. RTC is enabled in 0x6C[6]. Internal oscillator is enabled in 0x07[6] with external crystal.   | -                  | 400 | <b>950</b>         | nA   |
|   |                           | VBAT = 3V, Shipping mode (RTC is disabled in 0x6C[6])  | -                  | 120 | <b>320</b>         |      |
| {STANDBY} Supply Current                | I <sub>OP_STANDBY</sub>   | Total input current. CEN = HIGH, AVDD > UVLO, PWRON = LOW. RTC off.  | -                  | 360 | <b>470</b>         | μA   |
| {ACTIVE} Supply Current                 | I <sub>OP_ACTIVE</sub>    | Total input current. CEN = HIGH, AVDD > UVLO, PWRON = HIGH<br>All bucks enabled, auto PFM/PWM mode, no load, not switching. All LDOs enabled, no load. RTC on. I <sup>2</sup> C on and idle, MPIOx static. | -                  | 3.2 | <b>4.8</b>         | mA   |
| RTC State Supply Current                | I <sub>OP_RTC</sub>       | Total input current, VBAT. VBAT = 3.3V, BUCKx_VINx = AVDD = VCHG = 0V, RTC is enabled and clocking, FOUT is enabled at INT#  | -                  | -   | <b>5</b>           | μA   |
| <b>VIO LDO</b>                          |                           |  |                    |     |                    |      |
| VIO LDO Output Voltage                  | VIO <sub>OUT</sub>        | Not in dropout, no external loading  | <b>1.62</b>        | 1.8 | <b>1.96</b>        | V    |
| VIO LDO Current Capability              | VIO <sub>IOUT_RNG</sub>   | Additional external loading <sup>[4]</sup>   | -                  | 20  | -                  | mA   |
| VIO LDO Current Limit                   | VIO <sub>ILIM</sub>       | VIO = 90% * VIO <sub>OUT</sub>   | <b>24</b>          | -   | <b>41</b>          | mA   |
| VIO Load Transient Response             | VIO <sub>LOAD_TR</sub>    | Step: 0 to 20mA in 1μs<br>Step: 20mA to 0 in 1μs   | <b>-3</b>          | -   | <b>3</b>           | %    |
| VIO LDO Power-Good Rising Threshold     | VIO <sub>PGOOD_Rise</sub> | VIO rising. Percentage of VIO <sub>OUT</sub>   | <b>-10</b>         | -5  | <b>-2</b>          | %    |
| VIO LDO Power-Good Falling Threshold    | VIO <sub>PGOOD_Fall</sub> | VIO falling. Percentage of VIO <sub>OUT</sub>  | <b>-15</b>         | -10 | <b>-7</b>          | %    |
| VIO LDO Power-Good Threshold Hysteresis | VIO <sub>PGOOD_HYS</sub>  | VIO <sub>PGOOD_HYS</sub> = VIO <sub>PGOOD_Rise</sub> - VIO <sub>PGOOD_Fall</sub>   | -                  | 5   | -                  | %    |

AVDD = VCHG = BUCKx\_VINx = 5V, BUCK1\_FB = 1.1V, BUCK2\_FB = 1.2V, BUCK3\_FB = 1.8V, BUCK4\_FB = 3.3V, BUCK5\_FB = 1.2V, BUCK6\_FB = 0.6V, LDOx\_VIN = 5V, LDO1\_OUT = 3.3V, LDO2\_OUT = 3.3V, LDO3\_OUT = 2.5V, CEN = HIGH, PWRON = HIGH, AGND = PGND, unless otherwise specified. External components as listed in [External Component Selection](#) section (or equivalent), unless otherwise stated. Typical entries apply at +25°C. **Boldface limits apply across the ambient operating temperature range -40°C to +105°C, unless otherwise stated. (Cont.)**

| Parameter  | Symbol                  | Test Conditions <sup>[1]</sup>  | Min <sup>[2]</sup> | Typ  | Max <sup>[2]</sup> | Unit              |
|--|-------------------------|---|--------------------|------|--------------------|-------------------|
| <b>EEPROM</b>  |                         |   |                    |      |                    |                   |
| EEPROM Endurance   | EE <sub>ENDR</sub>      | Programming cycles  | <b>1000</b>        | -    | -                  | Cycles            |
| Loading EEPROM Data to Registers at Power-On   | t <sub>EE_LOAD</sub>    | AVDD valid. CEN = HIGH  | -                  | -    | <b>10</b>          | ms                |
| EEPROM Programming Cycle Time  | t <sub>EE_WRITE</sub>   | Total time for writing customer banks   | -                  | 216  | <b>238</b>         | ms                |
| <b>BUCK1 (5A)</b>  |                         |   |                    |      |                    |                   |
| Components as described in <a href="#">Recommended External Components</a> . Additional application details in <a href="#">Buck1</a> . |                         |   |                    |      |                    |                   |
| Buck1 Output Voltage Target Resolution   | BK1 <sub>RES</sub>      |   | <b>4</b>           |      |                    | bits              |
| Buck1 Output Voltage Range   | BK1 <sub>OUT</sub>      | BUCK1_FB  | <b>0.8</b>         |      | <b>1.5</b>         | V                 |
| Buck1 Output Voltage Step  | BK1 <sub>STEP</sub>     | BUCK1_FB  | -                  | 50   | -                  | mV                |
| Buck1 Output Voltage DC Accuracy   | BK1 <sub>ACC</sub>      | BUCK1_FB. PWM operation, I <sub>OUT</sub> = 5mA, V <sub>OUT</sub> = 1.1V                                  | <b>-1</b>          |      | <b>1</b>           | %                 |
| Buck1 Output Voltage Ripple FPWM   | BK1 <sub>RIP_FPWM</sub> | I <sub>OUT</sub> = 100mA, FPWM mode   | -                  | 10   | -                  | mV <sub>P-P</sub> |
| Buck1 Maximum Output Current Capability <sup>[5]</sup>   | BK1 <sub>IOUT_MAX</sub> | -   | <b>5</b>           | -    | -                  | A                 |
| Buck1 Output Load Regulation   | BK1 <sub>LOAD_REG</sub> | FPWM, V <sub>OUT</sub> = 1.1V, Over I <sub>OUT</sub> = 100mA to 5A range                                  | -                  | ±0.1 | -                  | %                 |
| Buck1 Output Line Regulation   | BK1 <sub>LINE_REG</sub> | FPWM, BUCK1_VINx = 4.5V ↔ 5.5V, V <sub>OUT</sub> = 1.1V, I <sub>OUT</sub> = BK1 <sub>IOUT_MAX</sub>       | -                  | ±0.1 | -                  | %                 |
| Buck1 Peak Efficiency  | BK1 <sub>EFF</sub>      | Peak efficiency, L = default, BK1 <sub>FSW</sub> set to default <sup>[6]</sup> , maximum V <sub>OUT</sub> | -                  | 92   | -                  | %                 |
| Buck1 Discharge Resistance   | BK1 <sub>RDCHG</sub>    | BUCK1_FB. Slow setting enabled  | 35                 | 50   | 65                 | Ω                 |
|  |                         | BUCK1_FB. Medium setting enabled  | 26                 | 37.5 | 49                 | Ω                 |
|  |                         | BUCK1_FB. Fast setting enabled  | 17.5               | 25   | 32.5               | Ω                 |
| Buck1 High-Side MOSFET Current Limit   | BK1 <sub>ILIM_HS</sub>  | PWM operation, sourcing (supplying)   | <b>6.1</b>         | 7    | <b>7.7</b>         | A                 |
| Buck1 Low-Side MOSFET Current Limit  | BK1 <sub>ILIM_LS</sub>  | PWM operation, sourcing (supplying)   | -                  | 7.5  | -                  | A                 |
|  | BK1 <sub>ILIMNEG</sub>  | FPWM mode, sinking (receiving)  | -                  | -0.7 | -                  |                   |

AVDD = VCHG = BUCKx\_VINx = 5V, BUCK1\_FB = 1.1V, BUCK2\_FB = 1.2V, BUCK3\_FB = 1.8V, BUCK4\_FB = 3.3V, BUCK5\_FB = 1.2V, BUCK6\_FB = 0.6V, LDOx\_VIN = 5V, LDO1\_OUT = 3.3V, LDO2\_OUT = 3.3V, LDO3\_OUT = 2.5V, GEN = HIGH, PWRON = HIGH, AGND = PGND, unless otherwise specified. External components as listed in [External Component Selection](#) section (or equivalent), unless otherwise stated. Typical entries apply at +25°C. **Boldface limits apply across the ambient operating temperature range -40°C to +105°C, unless otherwise stated. (Cont.)**

| Parameter  | Symbol                      | Test Conditions <sup>[1]</sup>  | Min <sup>[2]</sup> | Typ   | Max <sup>[2]</sup> | Unit              |
|--|-----------------------------|---|--------------------|-------|--------------------|-------------------|
| Buck1 High-Side Overcurrent Warning Threshold Range  | BK1 <sub>IHC</sub>          | Register settable values <sup>[5]</sup>   | 3.6                | 4.6   | 5.6                | A                 |
|  |                             |   | 4.4                | 5.4   | 6.4                |                   |
|  |                             |   | 4.7                | 5.7   | 6.7                |                   |
|  |                             |   | 5.1                | 6.1   | 7.1                |                   |
| Buck1 High-Side Overcurrent Warning Threshold Accuracy   | BK1 <sub>IHC_ACC</sub>      | default BK1 <sub>IHC</sub> setting  | <b>-1</b>          | -     | <b>1</b>           | A                 |
| Buck1 PWM Switching Frequency  | BK1 <sub>FSW</sub>          | FPWM mode, 1.11MHz (default) setting  | -                  | 1.11  | -                  | MHz               |
| Buck1 PWM Switching Frequency Accuracy   | BK1 <sub>FSW_ACC</sub>      | FPWM mode, I <sub>OUT</sub> = 0mA, default frequency  | <b>-10</b>         | -     | <b>10</b>          | %                 |
| Buck1 Soft-Start Slew Rate Range   | BK1 <sub>SS_SR_RNG</sub>    | BUCK1_FB  | <b>0.5</b>         | 1     | <b>4</b>           | ms                |
| Buck1 Shutdown Slew Rate Range   | BK1 <sub>SHTDN_SR_RNG</sub> | BUCK1_FB  | <b>0.5</b>         | 1     | <b>4</b>           | ms                |
| Buck1 DVS Slew Rate Range  | BK1 <sub>DVS_SR_RNG</sub>   | BUCK1_FB. Applies to both DVS up and down ramps.  | <b>2</b>           | 8     | <b>16</b>          | mV/μs             |
| Buck1 High-Side PMOS On-resistance   | BK1 <sub>RDSON_HS</sub>     | BUCK1_VINx to BUCK1_LXx, I <sub>LX</sub> = -150mA   | -                  | 40    | -                  | mΩ                |
| Buck1 Low-Side NMOS On-Resistance  | BK1 <sub>RDSON_LS</sub>     | BUCK1_LXx to PGND, I <sub>LX</sub> = 150mA  | -                  | 28    | -                  | mΩ                |
| <b>BUCK2 (1.5A)</b>  |                             |   |                    |       |                    |                   |
| Components as described in <a href="#">Recommended External Components</a> . Additional application details in <a href="#">Buck2</a> . |                             |   |                    |       |                    |                   |
| Buck2 Output Voltage Target Resolution   | BK2 <sub>RES</sub>          | -   | <b>4</b>           |       |                    | bits              |
| Buck2 Output Voltage Range   | BK2 <sub>OUT</sub>          | BUCK2_FB  | <b>1.1</b>         | -     | <b>1.85</b>        | V                 |
| Buck2 Output Voltage Step  | BK2 <sub>STEP</sub>         | BUCK2_FB  | -                  | 50    | -                  | mV                |
| Buck2 Output Voltage DC Accuracy   | BK2 <sub>ACC</sub>          | BUCK2_FB. PWM operation, I <sub>OUT</sub> = 5mA, V <sub>OUT</sub> = 1.2V                      | <b>-1</b>          | -     | <b>1</b>           | %                 |
| Buck2 Output Voltage Ripple FPWM   | BK2 <sub>RIP_FPWM</sub>     | I <sub>OUT</sub> = 100mA, FPWM mode   | -                  | 10    | -                  | mV <sub>P-P</sub> |
| Buck2 Maximum Output Current Capability <sup>[5]</sup>   | BK2 <sub>IOUT_MAX</sub>     | -   | <b>1.5</b>         | -     | -                  | A                 |
| Buck2 Output Load Regulation   | BK2 <sub>LOAD_REG</sub>     | FPWM, V <sub>OUT</sub> = 1.2V, Over I <sub>OUT</sub> = 100mA to 1.5A range                    | -                  | ±0.15 | -                  | %                 |
| Buck2 Output Line Regulation   | BK2 <sub>LINE_REG</sub>     | BUCK2_VINx = 4.5V ↔ 5.5V, V <sub>OUT</sub> = 1.2V, I <sub>OUT</sub> = BK2 <sub>IOUT_MAX</sub> | -                  | ±0.15 | -                  | %                 |

AVDD = VCHG = BUCKx\_VINx = 5V, BUCK1\_FB = 1.1V, BUCK2\_FB = 1.2V, BUCK3\_FB = 1.8V, BUCK4\_FB = 3.3V, BUCK5\_FB = 1.2V, BUCK6\_FB = 0.6V, LDOx\_VIN = 5V, LDO1\_OUT = 3.3V, LDO2\_OUT = 3.3V, LDO3\_OUT = 2.5V, GEN = HIGH, PWRON = HIGH, AGND = PGND, unless otherwise specified. External components as listed in [External Component Selection](#) section (or equivalent), unless otherwise stated. Typical entries apply at +25°C. **Boldface limits apply across the ambient operating temperature range -40°C to +105°C, unless otherwise stated. (Cont.)**

| Parameter  | Symbol                      | Test Conditions <sup>[1]</sup>  | Min <sup>[2]</sup> | Typ   | Max <sup>[2]</sup> | Unit              |
|--|-----------------------------|---|--------------------|-------|--------------------|-------------------|
| Buck2 Peak Efficiency  | BK2 <sub>EFF</sub>          | Peak efficiency, L = default, BK2 <sub>FSW</sub> set to default <sup>[6]</sup> , maximum V <sub>OUT</sub> | -                  | 90    | -                  | %                 |
| Buck2 Discharge Resistance   | BK2 <sub>RDCHG</sub>        | BUCK2_FB. Slow setting  | 35                 | 50    | 65                 | Ω                 |
|  |                             | BUCK2_FB. Medium setting  | 26                 | 37.5  | 49                 |                   |
|  |                             | BUCK2_FB. Fast setting  | 17.5               | 25    | 32.5               |                   |
| Buck2 High-Side MOSFET Current Limit   | BK2 <sub>ILIM_HS</sub>      | PWM operation, sourcing (supplying)   | <b>2.27</b>        | 2.5   | <b>2.78</b>        | A                 |
| Buck2 Low-Side MOSFET Current Limit  | BK2 <sub>ILIM_LS</sub>      | PWM operation, sourcing (supplying)   | -                  | 3     | -                  | A                 |
|  | BK2 <sub>ILIMNEG</sub>      | FPWM mode, sinking (receiving)  | -                  | -0.66 | -                  | A                 |
| Buck2 PWM Switching Frequency  | BK2 <sub>FSW</sub>          | FPWM mode, 0.769MHz (default) setting   | -                  | 0.769 | -                  | MHz               |
| Buck2 PWM Switching Frequency Accuracy   | BK2 <sub>FSW_ACC</sub>      | FPWM mode, I <sub>OUT</sub> = 0mA, default frequency  | <b>-10</b>         | -     | <b>10</b>          | %                 |
| Buck2 Soft-start Slew Rate Range   | BK2 <sub>SS_SR_RNG</sub>    | BUCK2_FB  | <b>0.5</b>         | 1     | <b>4</b>           | ms                |
| Buck2 Shutdown Slew Rate Range   | BK2 <sub>SHTDN_SR_RNG</sub> | BUCK2_FB  | <b>0.5</b>         | 1     | <b>4</b>           | ms                |
| Buck2 DVS Slew Rate Range  | BK2 <sub>DVS_SR_RNG</sub>   | BUCK2_FB. Applies to both DVS up and down ramps.  | <b>2</b>           | 8     | <b>16</b>          | mV/μs             |
| Buck2 High-Side PMOS On-Resistance   | BK2 <sub>RDSON_HS</sub>     | BUCK2_VINx to BUCK2_LXx, I <sub>LX</sub> = -150mA   | -                  | 120   | -                  | mΩ                |
| Buck2 Low-Side NMOS On-Resistance  | BK2 <sub>RDSON_LS</sub>     | BUCK2_LXx to PGND, I <sub>LX</sub> = 150mA  | -                  | 70    | -                  | mΩ                |
| <b>BUCK3 (1.5A)</b>  |                             |   |                    |       |                    |                   |
| Components as described in <a href="#">Recommended External Components</a> . Additional application details in <a href="#">Buck3</a> . |                             |   |                    |       |                    |                   |
| Buck3 Output Voltage Target Resolution   | BK3 <sub>RES</sub>          |   | <b>4</b>           |       |                    | bits              |
| Buck3 Output Voltage Range   | BK3 <sub>OUT</sub>          | BUCK3_FB  | <b>1.8</b>         | -     | <b>3.3</b>         | V                 |
| Buck3 Output Voltage Step  | BK3 <sub>STEP</sub>         | BUCK3_FB  | -                  | 100   | -                  | mV                |
| Buck3 Output Voltage DC Accuracy   | BK3 <sub>ACC</sub>          | BUCK3_FB. PWM operation, I <sub>OUT</sub> = 5mA, V <sub>OUT</sub> = 1.8V                                  | <b>-1</b>          | -     | <b>1</b>           | %                 |
| Buck3 Output Voltage Ripple FPWM   | BK3 <sub>RIP_FPWM</sub>     | I <sub>OUT</sub> = 100mA, FPWM mode   | -                  | 10    | -                  | mV <sub>P-P</sub> |
| Buck3 Maximum Output Current Capability <sup>[5]</sup>   | BK3 <sub>IOUT_MAX</sub>     |   | <b>1.5</b>         | -     | -                  | A                 |

AVDD = VCHG = BUCKx\_VINx = 5V, BUCK1\_FB = 1.1V, BUCK2\_FB = 1.2V, BUCK3\_FB = 1.8V, BUCK4\_FB = 3.3V, BUCK5\_FB = 1.2V, BUCK6\_FB = 0.6V, LDOx\_VIN = 5V, LDO1\_OUT = 3.3V, LDO2\_OUT = 3.3V, LDO3\_OUT = 2.5V, GEN = HIGH, PWRON = HIGH, AGND = PGND, unless otherwise specified. External components as listed in [External Component Selection](#) section (or equivalent), unless otherwise stated. Typical entries apply at +25°C. **Boldface limits apply across the ambient operating temperature range -40°C to +105°C, unless otherwise stated. (Cont.)**

| Parameter  | Symbol           | Test Conditions <sup>[1]</sup>  | Min <sup>[2]</sup> | Typ   | Max <sup>[2]</sup> | Unit  |
|--|------------------|---|--------------------|-------|--------------------|-------|
| Buck3 Output Load Regulation   | BK3_LOAD_REG     | FPWM, VOUT = 1.8V, Over I <sub>OUT</sub> = 100mA to 1.5A range  | -                  | ±0.1  | -                  | %     |
| Buck3 Output Line Regulation   | BK3_LINE_REG     | BUCK3_VINx = 4.5V ↔ 5.5V, VOUT = 1.8V, I <sub>OUT</sub> = BK3_IOUT_MAX  | -                  | ±0.1  | -                  | %     |
| Buck3 Peak Efficiency  | BK3_EFF          | Peak efficiency, L = default, BK3_FSW set to default <sup>[6]</sup> , maximum V <sub>OUT</sub>                  | -                  | 92    | -                  | %     |
| Buck3 Discharge Resistance   | BK3_RDCHG        | BUCK3_FB. Slow setting  | 35                 | 50    | 75                 | Ω     |
|  |                  | BUCK3_FB. Medium setting  | 26                 | 37.5  | 49                 |       |
|  |                  | BUCK3_FB. Fast setting  | 17.5               | 25    | 32.5               |       |
| Buck3 High-Side MOSFET Current Limit   | BK3_ILIM_HS      | PWM mode, sourcing (supplying)  | <b>2.12</b>        | 2.5   | <b>3</b>           | A     |
| Buck3 Low-Side MOSFET Current Limit  | BK3_ILIM_LS      | PWM operation, sourcing (supplying)   | -                  | 3     | -                  | A     |
|  | BK3_ILIMNEG      | FPWM mode, sinking (receiving)  | -                  | -0.55 | -                  |       |
| Buck3 PWM Switching Frequency  | BK3_FSW          | FPWM mode, 1.54MHz (default) setting  | -                  | 1.54  | -                  | MHz   |
| Buck3 PWM Switching Frequency Accuracy   | BK3_FSW_ACC      | FPWM mode, I <sub>OUT</sub> = 0mA, default frequency  | <b>-10</b>         | -     | <b>10</b>          | %     |
| Buck3 Soft-Start Slew Rate Range   | BK3_SS_SR_RNG    | BUCK3_FB  | <b>0.5</b>         | 1     | <b>4</b>           | ms    |
| Buck3 Shutdown Slew Rate Range   | BK3_SHTDN_SR_RNG | BUCK3_FB  | <b>0.5</b>         | 1     | <b>4</b>           | ms    |
| Buck3 DVS Slew Rate Range  | BK3_DVS_SR_RNG   | BUCK3_FB. Applies to both DVS up and down ramps.  | <b>2</b>           | 8     | <b>16</b>          | mV/μs |
| Buck3 High-Side PMOS On-Resistance   | BK3_RDSON_HS     | BUCK3_VINx to BUCK3_LXx, I <sub>LX</sub> = -150mA   | -                  | 93    | -                  | mΩ    |
| Buck3 Low-Side NMOS On-Resistance  | BK3_RDSON_LS     | BUCK3_LXx to PGND, I <sub>LX</sub> = 150mA  | -                  | 57    | -                  | mΩ    |
| <b>BUCK4 (3.5A)</b>  |                  |   |                    |       |                    |       |
| Components as described in <a href="#">Recommended External Components</a> . Additional application details in <a href="#">Buck4</a> . |                  |   |                    |       |                    |       |
| Buck4 Output Voltage Target Resolution   | BK4_RES          | -   | <b>4</b>           |       |                    | bits  |
| Buck4 Output Voltage Range   | BK4_OUT          | BUCK4_FB<br>0.8V, 0.85V, 0.9V, 0.95V, 1V, 1.05V, 1.1V, 1.15V, 1.2V, 1.5V, 1.6V 1.8V, 1.85V, 2.2V, 2.5V and 3.3V | <b>0.8</b>         | -     | <b>3.3</b>         | V     |



AVDD = VCHG = BUCKx\_VINx = 5V, BUCK1\_FB = 1.1V, BUCK2\_FB = 1.2V, BUCK3\_FB = 1.8V, BUCK4\_FB = 3.3V, BUCK5\_FB = 1.2V, BUCK6\_FB = 0.6V, LDOx\_VIN = 5V, LDO1\_OUT = 3.3V, LDO2\_OUT = 3.3V, LDO3\_OUT = 2.5V, GEN = HIGH, PWRON = HIGH, AGND = PGND, unless otherwise specified. External components as listed in [External Component Selection](#) section (or equivalent), unless otherwise stated. Typical entries apply at +25°C. **Boldface limits apply across the ambient operating temperature range -40°C to +105°C, unless otherwise stated. (Cont.)**

| Parameter  | Symbol                      | Test Conditions <sup>[1]</sup>  | Min <sup>[2]</sup> | Typ    | Max <sup>[2]</sup> | Unit              |
|--|-----------------------------|---|--------------------|--------|--------------------|-------------------|
| Buck4 Output Voltage DC Accuracy   | BK4 <sub>ACC</sub>          | BUCK4_FB. PWM operation, I <sub>OUT</sub> = 5mA, V <sub>OUT</sub> = 3.3V                                  | <b>-1</b>          | -      | <b>1</b>           | %                 |
|  |                             | BUCK4_FB. PWM operation, I <sub>OUT</sub> = 5mA, V <sub>OUT</sub> = 0.95V                                 | <b>-2.5</b>        | -      | <b>2.5</b>         |                   |
| Buck4 Output Voltage Ripple FPWM   | BK4 <sub>RIP_FPWM</sub>     | I <sub>OUT</sub> = 100mA, FPWM mode   | -                  | 15     | -                  | mV <sub>P-P</sub> |
| Buck4 Maximum Output Current Capability <sup>[5]</sup>   | BK4 <sub>IOUT_MAX</sub>     | -   | <b>3.5</b>         | -      | -                  | A                 |
| Buck4 Output Load Regulation   | BK4 <sub>LOAD_REG</sub>     | FPWM, V <sub>OUT</sub> = 3.3V, Over I <sub>OUT</sub> = 100mA to 3.5A range                                | -                  | ±0.1   | -                  | %                 |
| Buck4 Output Line Regulation   | BK4 <sub>LINE_REG_3V3</sub> | BUCK4_VINx = 4.5V ↔ 5.5V, V <sub>OUT</sub> = 3.3V, I <sub>OUT</sub> = BK4 <sub>IOUT_MAX</sub>             | -                  | ±0.1   | -                  | %                 |
| Buck4 Peak Efficiency  | BK4 <sub>EFF</sub>          | Peak efficiency, L = default, BK4 <sub>FSW</sub> set to default <sup>[6]</sup> , maximum V <sub>OUT</sub> | -                  | 95     | -                  | %                 |
| Buck4 Discharge Resistance   | BK4 <sub>RDCHG</sub>        | BUCK4_FB. Slow setting  | 35                 | 50     | 65                 | Ω                 |
|  |                             | BUCK4_FB. Medium setting  | 26                 | 37.5   | 49                 |                   |
|  |                             | BUCK4_FB. Fast setting  | 17.5               | 25     | 32.5               |                   |
| Buck4 High-Side MOSFET Current Limit   | BK4 <sub>ILIM_HS</sub>      | PWM operation, sourcing (supplying)   | <b>4</b>           | 4.5    | <b>5</b>           | A                 |
| Buck4 Low-Side MOSFET Current Limit  | BK4 <sub>ILIM_LS</sub>      | PWM operation, sourcing (supplying)   | -                  | 5      | -                  | A                 |
|  | BK4 <sub>ILIMNEG</sub>      | FPWM mode, sinking (receiving)  | -                  | -0.675 | -                  |                   |
| Buck4 PWM Switching Frequency  | BK4 <sub>FSW</sub>          | FPWM mode, 1.54MHz (default) setting  | -                  | 1.54   | -                  | MHz               |
| Buck4 PWM Switching Frequency Accuracy   | BK4 <sub>FSW_ACC</sub>      | FPWM mode, I <sub>OUT</sub> = 0mA, default frequency  | <b>-10</b>         | -      | <b>10</b>          | %                 |
| Buck4 Soft-Start Slew Rate Range   | BK4 <sub>SS_SR_RNG</sub>    | BUCK4_FB  | <b>0.5</b>         | 1      | <b>4</b>           | ms                |
| Buck4 Shutdown Slew Rate Range   | BK4 <sub>SHTDN_SR_RNG</sub> | BUCK4_FB  | <b>0.5</b>         | 1      | <b>4</b>           | ms                |
| Buck4 DVS Slew Rate Range  | BK4 <sub>DVS_SR_RNG</sub>   | BUCK4_FB. Applies to both DVS up and down ramps.  | <b>2</b>           | 8      | <b>16</b>          | mV/μs             |
| Buck4 High-Side PMOS On-Resistance   | BK4 <sub>RDSON_HS</sub>     | BUCK4_VINx to BUCK4_LXx, I <sub>LX</sub> = -150mA   | -                  | 60     | -                  | mΩ                |
| Buck4 Low-Side NMOS On-Resistance  | BK4 <sub>RDSON_LS</sub>     | BUCK4_LXx to PGND, I <sub>LX</sub> = 150mA  | -                  | 30     | -                  | mΩ                |
| <b>BUCK5 (0.6A)</b>  |                             |   |                    |        |                    |                   |
| Components as described in <a href="#">Recommended External Components</a> . Additional application details in <a href="#">Buck5</a> . |                             |   |                    |        |                    |                   |

AVDD = VCHG = BUCKx\_VINx = 5V, BUCK1\_FB = 1.1V, BUCK2\_FB = 1.2V, BUCK3\_FB = 1.8V, BUCK4\_FB = 3.3V, BUCK5\_FB = 1.2V, BUCK6\_FB = 0.6V, LDOx\_VIN = 5V, LDO1\_OUT = 3.3V, LDO2\_OUT = 3.3V, LDO3\_OUT = 2.5V, GEN = HIGH, PWRON = HIGH, AGND = PGND, unless otherwise specified. External components as listed in [External Component Selection](#) section (or equivalent), unless otherwise stated. Typical entries apply at +25°C. **Boldface limits apply across the ambient operating temperature range -40°C to +105°C, unless otherwise stated. (Cont.)**

| Parameter  | Symbol           | Test Conditions <sup>[1]</sup>   | Min <sup>[2]</sup> | Typ   | Max <sup>[2]</sup> | Unit              |
|--|------------------|--|--------------------|-------|--------------------|-------------------|
| Buck5 Output Voltage Target Resolution                 | BK5_RES          | -  | <b>3</b>           |       |                    | bits              |
| Buck5 Output Voltage Range                             | BK5_OUT          | BUCK5_FB   | <b>1.2</b>         | -     | <b>3.3</b>         | V                 |
| Buck5 Output Voltage DC Accuracy                       | BK5_ACC          | BUCK5_FB. PWM operation, I <sub>OUT</sub> = 5mA, V <sub>OUT</sub> = 1.8V                       | <b>-1</b>          | -     | <b>1</b>           | %                 |
| Buck5 Output Voltage Ripple FPWM                       | BK5_RIP_FPWM     | I <sub>OUT</sub> = 100mA, FPWM mode  | -                  | 15    | -                  | mV <sub>P-P</sub> |
| Buck5 Maximum Output Current Capability <sup>[5]</sup> | BK5_IOUT_MAX     | -  | <b>0.6</b>         | -     | -                  | A                 |
| Buck5 Output Load Regulation                           | BK5_LOAD_REG     | FPWM, V <sub>OUT</sub> = 1.2V, Over I <sub>OUT</sub> = 100mA to 600mA range                    | -                  | ±0.1  | -                  | %                 |
| Buck5 Output Line Regulation                           | BK5_LINE_REG     | BUCK5_VINx = 4.5V ↔ 5.5V, V <sub>OUT</sub> = 1.2V, I <sub>OUT</sub> = BK5_IOUT_MAX             | -                  | ±0.1  | -                  | %                 |
| Buck5 Peak Efficiency                                  | BK5_EFF          | Peak efficiency, L = default, BK5_FSW set to default <sup>[6]</sup> , maximum V <sub>OUT</sub> | -                  | 94    | -                  | %                 |
| Buck5 Discharge Resistance                             | BK5_RDCHG        | BUCK5_FB. Slow setting   | 35                 | 50    | 65                 | Ω                 |
|  |                  | BUCK5_FB. Medium setting   | 26                 | 37.5  | 49                 |                   |
|  |                  | BUCK5_FB. Fast setting   | 17.5               | 25    | 32.5               |                   |
| Buck5 High-Side MOSFET Current Limit                   | BK5_ILIM_HS      | PWM operation, sourcing (supplying)  | <b>0.9</b>         | 1     | <b>1.1</b>         | A                 |
| Buck5 Low-Side MOSFET Current Limit                    | BK5_ILIM_LS      | PWM operation, sourcing (supplying)  | -                  | 1.4   | -                  | A                 |
|  | BK5_ILIMNEG      | FPWM mode, sinking (receiving)   | -                  | -0.55 | -                  |                   |
| Buck5 PWM Switching Frequency                          | BK5_FSW          | FPWM mode, 1.54MHz (default) setting   | -                  | 1.54  | -                  | MHz               |
| Buck5 PWM Switching Frequency Accuracy                 | BK5_FSW_ACC      | FPWM mode, I <sub>OUT</sub> = 0mA, default frequency   | <b>-10</b>         | -     | <b>10</b>          | %                 |
| Buck5 Soft-start Slew Rate Range                       | BK5_SS_SR_RNG    | BUCK5_FB   | <b>0.5</b>         | 1     | <b>4</b>           | ms                |
| Buck5 Shutdown Slew Rate Range                         | BK5_SHTDN_SR_RNG | BUCK5_FB   | <b>0.5</b>         | 1     | <b>4</b>           | ms                |
| Buck5 DVS Slew Rate Range                              | BK5_DVS_SR_RNG   | BUCK5_FB. Applies to both DVS up and down ramps.   | <b>2</b>           | 8     | <b>16</b>          | mV/μs             |
| Buck5 High-Side PMOS On-Resistance                     | BK5_RDSON_HS     | BUCK5_VINx to BUCK5_LXx, I <sub>LX</sub> = -150mA  | -                  | 220   | -                  | mΩ                |
| Buck5 Low-Side NMOS On-Resistance                      | BK5_RDSON_LS     | BUCK5_LXx to PGND, I <sub>LX</sub> = 150mA   | -                  | 105   | -                  | mΩ                |

AVDD = VCHG = BUCKx\_VINx = 5V, BUCK1\_FB = 1.1V, BUCK2\_FB = 1.2V, BUCK3\_FB = 1.8V, BUCK4\_FB = 3.3V, BUCK5\_FB = 1.2V, BUCK6\_FB = 0.6V, LDOx\_VIN = 5V, LDO1\_OUT = 3.3V, LDO2\_OUT = 3.3V, LDO3\_OUT = 2.5V, GEN = HIGH, PWRON = HIGH, AGND = PGND, unless otherwise specified. External components as listed in [External Component Selection](#) section (or equivalent), unless otherwise stated. Typical entries apply at +25°C. **Boldface limits apply across the ambient operating temperature range -40°C to +105°C, unless otherwise stated. (Cont.)**

| Parameter  | Symbol                      | Test Conditions <sup>[1]</sup>  | Min <sup>[2]</sup> | Typ         | Max <sup>[2]</sup> | Unit              |
|--|-----------------------------|---|--------------------|-------------|--------------------|-------------------|
| <b>BUCK6 (±1A)</b>   |                             |   |                    |             |                    |                   |
| VTT Mode. Components as described in <a href="#">Recommended External Components</a> . Additional application details in <a href="#">Buck6</a> . |                             |   |                    |             |                    |                   |
| Buck6 Output Voltage VTT Mode  | BK6 <sub>OUT_VTT</sub>      | BUCK6_FB. DDR JEDEC spec. DDR VTT output  | -                  | VREF<br>OUT | -                  | V                 |
| Buck6 Output Voltage DC Accuracy   | BK6 <sub>ACC</sub>          | BUCK6_FB. FPWM mode, I <sub>OUT</sub> = 5mA, V <sub>OUT</sub> = 1.8V  | <b>-1</b>          | -           | <b>1</b>           | %                 |
| Buck6 Output Total Accuracy VTT Mode   | BK6 <sub>ACC_TOT</sub>      | BUCK6_FB. DC + Ripple + Transient. FPWM mode, over line/load/temp. V <sub>OUT</sub> = 0.6V<br>I <sub>OUT</sub> -1A → +1A at 2.5A/μs | -30                | -           | 30                 | mV                |
| Buck6 Output Voltage Ripple FPWM   | BK6 <sub>RIP_FPWM</sub>     | I <sub>OUT</sub> = 100mA, FPWM mode   | -                  | 30          | -                  | mV <sub>P-P</sub> |
| Buck6 Maximum Output Current Capability <sup>[5]</sup>   | BK6 <sub>IOUT_MAX</sub>     | VTT mode. Source (supply) current for DDR VTT   | <b>1</b>           | -           | -                  | A                 |
|  |                             | VTT mode. Sink (receive) current from DDR VTT   | <b>1</b>           | -           | -                  | A                 |
| Buck6 Output Load Regulation   | BK6 <sub>LOAD_REG</sub>     | FPWM, V <sub>OUT</sub> = 0.6V, Over I <sub>OUT</sub> = 100mA to 1A range  | -                  | ±0.1        | -                  | %                 |
| Buck6 Output Line Regulation   | BK6 <sub>LINE_REG</sub>     | BUCK6_VINx = 4.5V ↔ 5.5V, V <sub>OUT</sub> = 0.6V, I <sub>OUT</sub> = BK6 <sub>IOUT_MAX</sub>                                       | -                  | ±0.1        | -                  | %                 |
| Buck6 Peak Efficiency  | BK6 <sub>EFF</sub>          | Peak efficiency, L = default, BK6 <sub>FSW</sub> set to default <sup>[6]</sup> , FPWM mode, V <sub>OUT</sub> = 0.6V                 | -                  | 76          | -                  | %                 |
| Buck6 Discharge Resistance   | BK6 <sub>RDCHG</sub>        | BUCK6_FB. Slow setting  | 35                 | 50          | 65                 | Ω                 |
|  |                             | BUCK6_FB. Medium setting  | 26                 | 37.5        | 49                 |                   |
|  |                             | BUCK6_FB. Fast setting  | 17.5               | 25          | 32.5               |                   |
| Buck6 High-Side MOSFET Current Limit   | BK6 <sub>ILIM_HS</sub>      | FPWM mode, sourcing (supplying), VTTREF_EN = 1  | <b>2.4</b>         | 2.75        | <b>3.2</b>         | A                 |
| Buck6 Low-Side MOSFET Current Limit  | BK6 <sub>ILIM_LS</sub>      | FPWM mode, sourcing (supplying), VTTREF_EN = 1  | -                  | 3.25        | -                  | A                 |
|  | BK6 <sub>ILIMNEG</sub>      | FPWM mode, sinking (receiving), VTTREF_EN = 1   | -                  | -2.3        | -                  |                   |
| Buck6 PWM Switching Frequency  | BK6 <sub>FSW</sub>          | FPWM mode, 0.667MHz (default) setting   | -                  | 0.667       | -                  | MHz               |
| Buck6 PWM Switching Frequency Accuracy   | BK6 <sub>FSW_ACC</sub>      | FPWM mode, I <sub>OUT</sub> = 0mA, default frequency  | <b>-10</b>         | -           | <b>10</b>          | %                 |
| Buck6 Soft-start Slew Rate Range   | BK6 <sub>SS_SR_RNG</sub>    | BUCK6_FB  | <b>0.5</b>         | 1           | <b>4</b>           | ms                |
| Buck6 Shutdown Slew Rate Range   | BK6 <sub>SHTDN_SR_RNG</sub> | BUCK6_FB  | <b>0.5</b>         | 1           | <b>4</b>           | ms                |

AVDD = VCHG = BUCKx\_VINx = 5V, BUCK1\_FB = 1.1V, BUCK2\_FB = 1.2V, BUCK3\_FB = 1.8V, BUCK4\_FB = 3.3V, BUCK5\_FB = 1.2V, BUCK6\_FB = 0.6V, LDOx\_VIN = 5V, LDO1\_OUT = 3.3V, LDO2\_OUT = 3.3V, LDO3\_OUT = 2.5V, GEN = HIGH, PWRON = HIGH, AGND = PGND, unless otherwise specified. External components as listed in [External Component Selection](#) section (or equivalent), unless otherwise stated. Typical entries apply at +25°C. **Boldface limits apply across the ambient operating temperature range -40°C to +105°C, unless otherwise stated. (Cont.)**

| Parameter   | Symbol                    | Test Conditions <sup>[1]</sup>  | Min <sup>[2]</sup> | Typ | Max <sup>[2]</sup> | Unit  |
|---|---------------------------|---|--------------------|-----|--------------------|-------|
| Buck6 DVS Slew Rate Range   | BK6 <sub>DVS_SR_RNG</sub> | BUCK6_FB. Applies to both DVS up and down ramps.  | <b>2</b>           | 8   | <b>16</b>          | mV/μs |
| Buck6 High-Side PMOS On-Resistance  | BK6 <sub>RDSON_HS</sub>   | BUCK6_VINx to BUCK6_LXx, I <sub>LX</sub> = -150mA   | -                  | 125 | -                  | mΩ    |
| Buck6 Low-Side NMOS On-Resistance   | BK6 <sub>RDSON_LS</sub>   | BUCK6_LXx to PGND, I <sub>LX</sub> = 150mA  | -                  | 75  | -                  | mΩ    |
| <b>LDO1 and LDO2 (300mA)</b>  |                           |   |                    |     |                    |       |
| Components as described in <a href="#">Recommended External Components</a> . Additional application details in <a href="#">LDO1/2</a> . |                           |   |                    |     |                    |       |
| LDO12 Output Voltage Range  | LDO12 <sub>OUT</sub>      | LDO1_OUT, LDO2_OUT<br>0.8V, 0.9V, 1.2V, 1.5V, 1.8V, 2.5V, 3.0V, 3.3V  | <b>0.8</b>         | -   | <b>3.3</b>         | V     |
| LDO12 Output Voltage DC Accuracy  | LDO12 <sub>ACC_H</sub>    | I <sub>OUT</sub> = 1mA and 300mA<br>LDO <sub>OUT</sub> = 2.5V to 3.3V   | <b>-3</b>          | -   | <b>3</b>           | %     |
|   | LDO12 <sub>ACC_M</sub>    | I <sub>OUT</sub> = 1mA and 300mA<br>LDO <sub>OUT</sub> = 1.5V to 1.8V   | <b>-4</b>          | -   | <b>4</b>           |       |
|   | LDO12 <sub>ACC_L</sub>    | I <sub>OUT</sub> = 1mA and 300mA<br>LDO <sub>OUT</sub> = 0.8V to 1.2V   | <b>-5</b>          | -   | <b>5</b>           |       |
| LDO12 Maximum Output Current Capability   | LDO12 <sub>IOUT</sub>     | LDO1_OUT, LDO2_OUT.<br>External load, sourcing (supplying)  | <b>300</b>         | -   | -                  | mA    |
| LDO12 Output Current Limit  | LDO12 <sub>ILIM</sub>     | LDOx_OUT = 10% below regulation target (less positive voltage). LDO1/2 is not expected to operate at this current level continuously. | -                  | 500 | -                  | mA    |
| LDO12 Power-Good  | LDO12 <sub>PGOOD</sub>    | Rising threshold is a percentage of the programmed LDO output voltage   | <b>-15</b>         | -10 | <b>-5</b>          | %     |
|   |                           | Falling threshold is a percentage of the programmed LDO output voltage  | <b>-21</b>         | -15 | <b>-10</b>         |       |
|   |                           | Hysteresis  | 4                  | 5   | 6                  |       |
| LDO12 Load Transient  | LDO12 <sub>LOAD</sub>     | Step: 60mA → 240mA in 1A/μs<br>Step: 240mA → 60mA in 1A/μs  | <b>-3</b>          | -   | <b>3</b>           | %     |
| LDO12 Load Regulation   | LDO12 <sub>LOAD_REG</sub> | V <sub>OUT</sub> = 2.5V to 3.3V range, I <sub>OUT</sub> = 1mA to 300mA <sup>[5]</sup>   | <b>-1</b>          | -   | <b>1</b>           | %     |
|   |                           | V <sub>OUT</sub> = 1.8V, I <sub>OUT</sub> = 1mA to 300mA  | <b>-1.25</b>       | -   | <b>1.25</b>        |       |
|   |                           | V <sub>OUT</sub> = 0.8V, I <sub>OUT</sub> = 1mA to 300mA <sup>[5]</sup>   | <b>-2.5</b>        | -   | <b>2.5</b>         |       |
| LDO12 Line Regulation   | LDO12 <sub>LINE_REG</sub> | LDOx_VIN = 2.7V ↔ 5.5V,<br>V <sub>OUT</sub> = 1.8V,<br>I <sub>OUT</sub> = 300mA   | <b>-2</b>          | -   | <b>2</b>           | %     |

AVDD = VCHG = BUCKx\_VINx = 5V, BUCK1\_FB = 1.1V, BUCK2\_FB = 1.2V, BUCK3\_FB = 1.8V, BUCK4\_FB = 3.3V, BUCK5\_FB = 1.2V, BUCK6\_FB = 0.6V, LDOx\_VIN = 5V, LDO1\_OUT = 3.3V, LDO2\_OUT = 3.3V, LDO3\_OUT = 2.5V, GEN = HIGH, PWRON = HIGH, AGND = PGND, unless otherwise specified. External components as listed in [External Component Selection](#) section (or equivalent), unless otherwise stated. Typical entries apply at +25°C. **Boldface limits apply across the ambient operating temperature range -40°C to +105°C, unless otherwise stated. (Cont.)**

| Parameter   | Symbol                   | Test Conditions <sup>[1]</sup>   | Min <sup>[2]</sup> | Typ  | Max <sup>[2]</sup> | Unit |
|---|--------------------------|--|--------------------|------|--------------------|------|
| PSRR  | LDO12 <sub>PSRR</sub>    | vs. LDOx_VIN, AVDD.<br>DC to 100kHz, C <sub>OUT</sub> = default,<br>LDOx_VIN = LDOx_OUT + 0.3V (Not<br>in dropout)                           | -                  | -    | <b>-40</b>         | dB   |
|   |                          | vs. LDOx_VIN, AVDD.<br>100kHz to 2MHz, C <sub>OUT</sub> = default,<br>LDOx_VIN = LDOx_VOUT + 0.3V<br>(not in dropout)                        | -                  | -    | <b>-20</b>         |      |
| Bypass Mode<br>ON-Resistance  | LDO12 <sub>RDSON</sub>   | I <sub>OUT</sub> = 100mA   | -                  | 0.33 | <b>0.5</b>         | Ω    |
| LDO12 Dropout<br>Voltage  | LDO12 <sub>DROPOUT</sub> | I <sub>OUT</sub> = LDO12 <sub>IOUT(max)</sub>  | -                  | -    | <b>300</b>         | mV   |
| LDO12 Discharge<br>Resistance   | LDO12 <sub>RDCHG</sub>   | LDOx_OUT. Slow setting   | 35                 | 50   | 65                 | Ω    |
|   |                          | LDOx_OUT. Medium setting   | 26                 | 37.5 | 49                 |      |
|   |                          | LDOx_OUT. Fast setting   | 17.5               | 25   | 32.5               |      |
| <b>LDO3 (50mA)</b>  |                          |  |                    |      |                    |      |
| Components as described in <a href="#">Recommended External Components</a> . Additional application details in <a href="#">LDO3</a> . |                          |  |                    |      |                    |      |
| LDO3 Output Voltage<br>Range  | LDO3 <sub>OUT</sub>      | LDO3_OUT<br>0.8V, 0.9V, 1.2V, 1.5V, 1.8V, 2.5V,<br>3.0V, 3.3V  | <b>0.8</b>         | -    | <b>3.3</b>         | V    |
| LDO3 Output Voltage<br>DC Accuracy  | LDO3 <sub>ACC_H</sub>    | I <sub>OUT</sub> = 1mA and 50mA<br>LDO <sub>OUT</sub> = 2.5V to 3.3V   | <b>-3</b>          | -    | <b>3</b>           | %    |
|   | LDO3 <sub>ACC_M</sub>    | I <sub>OUT</sub> = 1mA and 50mA<br>LDO <sub>OUT</sub> = 1.5V to 1.8V   | <b>-4</b>          | -    | <b>4</b>           |      |
|   | LDO3 <sub>ACC_L</sub>    | I <sub>OUT</sub> = 1mA and 50mA<br>LDO <sub>OUT</sub> = 0.8V to 1.2V   | <b>-5</b>          | -    | <b>5</b>           |      |
| LDO3 Maximum<br>Output Current<br>Capability  | LDO3 <sub>IOUT</sub>     | LDO3_OUT. External load, sourcing<br>(supplying)   | <b>50</b>          | -    | -                  | mA   |
| LDO3 Output Current<br>Limit  | LDO3 <sub>ILIM</sub>     | LDO3_OUT = 10% below regulation<br>target (less positive voltage). LDO3 is<br>not expected to operate at this<br>current level continuously. | -                  | 80   | -                  | mA   |
| LDO3 Power-Good   | LDO3 <sub>PGOOD</sub>    | Rising threshold is a percentage of<br>the programmed LDO output voltage   | <b>-15</b>         | -10  | <b>-5</b>          | %    |
|   |                          | Falling threshold is a percentage of<br>the programmed LDO output voltage  | <b>-21</b>         | -15  | <b>-10</b>         |      |
|   |                          | Hysteresis   | 4                  | 5    | 6                  |      |
| LDO3 Load Transient   | LDO3 <sub>LOAD</sub>     | Step: 1mA → 50mA in 1A/μs<br>Step: 50mA → 1mA in 1A/μs   | <b>-3</b>          | -    | <b>3</b>           | %    |

AVDD = VCHG = BUCKx\_VINx = 5V, BUCK1\_FB = 1.1V, BUCK2\_FB = 1.2V, BUCK3\_FB = 1.8V, BUCK4\_FB = 3.3V, BUCK5\_FB = 1.2V, BUCK6\_FB = 0.6V, LDOx\_VIN = 5V, LDO1\_OUT = 3.3V, LDO2\_OUT = 3.3V, LDO3\_OUT = 2.5V, GEN = HIGH, PWRON = HIGH, AGND = PGND, unless otherwise specified. External components as listed in [External Component Selection](#) section (or equivalent), unless otherwise stated. Typical entries apply at +25°C. **Boldface limits apply across the ambient operating temperature range -40°C to +105°C, unless otherwise stated. (Cont.)**

| Parameter   | Symbol                         | Test Conditions <sup>[1]</sup>   | Min <sup>[2]</sup>             | Typ            | Max <sup>[2]</sup>            | Unit |
|---|--------------------------------|--|--------------------------------|----------------|-------------------------------|------|
| LDO3 Load Regulation  | LDO3 <sub>LOAD_REG</sub>       | V <sub>OUT</sub> = 2.5V to 3.3V range, I <sub>OUT</sub> = 1mA to 50mA <sup>[5]</sup>                       | <b>-1</b>                      | -              | <b>1</b>                      | %    |
|   |                                | V <sub>OUT</sub> = 1.8V, I <sub>OUT</sub> = 1mA to 50mA  | <b>-1.5</b>                    | -              | <b>1.5</b>                    |      |
|   |                                | V <sub>OUT</sub> = 0.8V, I <sub>OUT</sub> = 1mA to 50mA <sup>[5]</sup>                                     | <b>-3</b>                      | -              | <b>3</b>                      |      |
| LDO3 Line Regulation  | LDO3 <sub>LINE_REG</sub>       | LDO3_VIN = 2.7V ↔ 5.5V, V <sub>OUT</sub> = 1.8V, I <sub>OUT</sub> = 50mA                                   | -                              | 1              | <b>2</b>                      | %    |
| LDO3 PSRR   | LDO3 <sub>PSRR</sub>           | vs. LDO3_VIN, AVDD. DC to 100kHz, C <sub>OUT</sub> = default, LDOx_IN = LDO3_OUT + 0.3V (not in dropout)   | -                              | -              | <b>-40</b>                    | dB   |
|   |                                | vs. LDO3_VIN, AVDD. 100kHz to 2MHz, C <sub>OUT</sub> = default, LDOx_IN = LDO3_OUT + 0.3V (not in dropout) | -                              | -              | <b>-20</b>                    |      |
| LDO3 Bypass Mode ON-Resistance  | LDO3 <sub>RDSON</sub>          | I <sub>OUT</sub> = 10mA  | -                              | 1.3            | <b>1.8</b>                    | Ω    |
| LDO3 Dropout Voltage  | LDO3 <sub>DROPOUT</sub>        | I <sub>OUT</sub> = LDO3 <sub>IOUT(max)</sub>   | -                              | -              | <b>300</b>                    | mV   |
| LDO3 Discharge Resistance   | LDO3 <sub>RDCHG</sub>          | LDO3_OUT. Slow setting   | 35                             | 50             | 65                            | Ω    |
|   |                                | LDO3_OUT. Medium setting   | 26                             | 37.5           | 49                            |      |
|   |                                | LDO3_OUT. Fast setting   | 17.5                           | 25             | 32.5                          |      |
| <b>VTTREF</b>   |                                |  |                                |                |                               |      |
| Components as described in <a href="#">Recommended External Components</a> . Additional application details in <a href="#">VTTREF</a> . |                                |  |                                |                |                               |      |
| VREFIN Input Operating Range  | VREFIN <sub>OP</sub>           | -  | <b>1.1</b>                     | -              | <b>1.8</b>                    | V    |
| VREFIN Undervoltage Lockout Threshold   | VREFIN <sub>UVLO_F</sub>       | Falling VREFIN   | <b>0.72</b>                    | 0.78           | <b>0.84</b>                   | V    |
| VREFIN Undervoltage Lockout Hysteresis  | VREFIN <sub>UVLO_HYS</sub>     | VREFIN <sub>UVLO_R</sub> = VREFIN <sub>UVLO_F</sub> + VREFIN <sub>UVLO_HYS</sub>                           | -                              | 20             | -                             | mV   |
| VREFIN UVLO Falling Delay   | t <sub>VREFIN_UVLO_F_DLY</sub> | Falling VREFIN   | -                              | 1              | -                             | ms   |
| VREFOUT Output Range  | VREFOUT <sub>RNG</sub>         | VREFOUT = buffered version of VREFIN/2   | <b>0.55</b>                    | -              | <b>0.9</b>                    | V    |
| VREFOUT Output Current  | VREFOUT <sub>IOUT</sub>        | sourcing (supplying)   | <b>10</b>                      | -              | -                             | mA   |
|   |                                | sinking (receiving)  | <b>10</b>                      | -              | -                             |      |
| VREFOUT Output Current Limit  | VREFOUT <sub>ILIM</sub>        | sourcing (supplying)   | <b>22</b>                      | 40             | <b>58</b>                     | mA   |
|   |                                | sinking (receiving)  | -                              | 40             | -                             |      |
| VREFOUT Accuracy  | VREFOUT <sub>ACC_AC</sub>      | VTTREF_EN = 1<br>DDR JEDEC spec  | <b>0.49*</b><br><b>VREFIN</b>  | 0.5*<br>VREFIN | <b>0.51*</b><br><b>VREFIN</b> | V    |
|   | VREFOUT <sub>ACC_DC</sub>      | VTTREF_EN = 1<br>DDR JEDEC spec  | <b>-0.01*</b><br><b>VREFIN</b> | -              | <b>0.01*</b><br><b>VREFIN</b> | V    |

AVDD = VCHG = BUCKx\_VINx = 5V, BUCK1\_FB = 1.1V, BUCK2\_FB = 1.2V, BUCK3\_FB = 1.8V, BUCK4\_FB = 3.3V, BUCK5\_FB = 1.2V, BUCK6\_FB = 0.6V, LDOx\_VIN = 5V, LDO1\_OUT = 3.3V, LDO2\_OUT = 3.3V, LDO3\_OUT = 2.5V, GEN = HIGH, PWRON = HIGH, AGND = PGND, unless otherwise specified. External components as listed in [External Component Selection](#) section (or equivalent), unless otherwise stated. Typical entries apply at +25°C. **Boldface limits apply across the ambient operating temperature range -40°C to +105°C, unless otherwise stated. (Cont.)**

| Parameter  | Symbol                                | Test Conditions <sup>[1]</sup>  | Min <sup>[2]</sup> | Typ    | Max <sup>[2]</sup> | Unit |
|--|---------------------------------------|---|--------------------|--------|--------------------|------|
| VREFOUT Discharge Resistance   | VREFOUT <sub>RDCHG</sub>              | VREFOUT. Fast setting   | -                  | 50     | 65                 | Ω    |
|  |                                       | VREFOUT. Medium setting   | -                  | 75     | 97                 |      |
|  |                                       | VREFOUT. Slow setting   | -                  | 100    | 130                |      |
| <b>Charger</b>   |                                       |   |                    |        |                    |      |
| Components as described in <a href="#">Recommended External Components</a> . Additional application details in <a href="#">Coin Cell Battery Charger</a> . |                                       |   |                    |        |                    |      |
| VCHG Operating Voltage Range   | VCHG <sub>OP</sub>                    | -   | <b>2.7</b>         | 5      | <b>5.5</b>         | V    |
| VBAT Charging Voltage Termination Range  | VBAT <sub>RNG</sub>                   | sets VBAT voltage to automatically disable charger operation  | <b>1.8</b>         | 3.3    | <b>3.3</b>         | V    |
| VBAT Charging Voltage Termination Step   | VBAT <sub>STEP</sub>                  | VBAT  | -                  | 100    | -                  | mV   |
| VCHG Headroom  | VCHG <sub>HD</sub>                    | Input voltage headroom. VCHG must be above VBAT + VCHG <sub>HD</sub> to make the charger operate at the programmed charge current | <b>300</b>         | -      | -                  | mV   |
| VRTC Voltage Hysteresis  | VRTC <sub>HYS</sub>                   | Threshold for VRTC supply switching to being derived from VCHG (rather than VBAT), VCHG rising above VBAT + VBAT <sub>HYS</sub>   | -                  | 50     | -                  | mV   |
| Charge Current Setting Range   | VBAT <sub>IOUT</sub>                  | VBAT. 60μA (default) setting  | <b>20</b>          | 60     | <b>60</b>          | μA   |
| Charge Current Accuracy  | VBAT <sub>IOUT_ACC</sub>              | VBAT  | <b>-20</b>         | -      | <b>20</b>          | %    |
| <b>RTC</b>   |                                       |   |                    |        |                    |      |
| Components as described in <a href="#">Recommended External Components</a> . Additional application details in <a href="#">Real-Time Clock</a> .           |                                       |   |                    |        |                    |      |
| VBAT Operating Voltage Range   | VBAT <sub>OP</sub>                    | Battery backup mode   | <b>1.8</b>         | 3.3    | <b>5.5</b>         | V    |
| VRTC Operating Voltage Range   | VRTC <sub>OP</sub>                    | Generated internally from higher of VCHG or VBAT  | <b>1.8</b>         | 5      | <b>5.5</b>         | V    |
| Oscillator Frequency   | RTC <sub>FREQ</sub>                   | -   | -                  | 32.768 | -                  | kHz  |
| Oscillator Duty Cycle  | RTC <sub>DUTY</sub>                   | -   | -                  | 50     | -                  | %    |
| <b>I<sup>2</sup>C</b>  |                                       |   |                    |        |                    |      |
| 7-bit Slave Address Range  | I <sup>2</sup> C <sub>ADDR_MAIN</sub> | Access to non-RTC related registers. 7-bit uniquely programmable in EEPROM  | <b>1</b>           | 12     | <b>7F</b>          | Hex  |
|  | I <sup>2</sup> C <sub>ADDR_RTC</sub>  | Access to RTC related registers. 7-bit uniquely programmable in EEPROM  | <b>1</b>           | 6F     | <b>7F</b>          |      |
| SCL Clock Frequency  | f <sub>SCL</sub>                      | Supports standard 100kHz, 400kHz, 1MHz  | -                  | -      | <b>1</b>           | MHz  |

AVDD = VCHG = BUCKx\_VINx = 5V, BUCK1\_FB = 1.1V, BUCK2\_FB = 1.2V, BUCK3\_FB = 1.8V, BUCK4\_FB = 3.3V, BUCK5\_FB = 1.2V, BUCK6\_FB = 0.6V, LDOx\_VIN = 5V, LDO1\_OUT = 3.3V, LDO2\_OUT = 3.3V, LDO3\_OUT = 2.5V, CEN = HIGH, PWRON = HIGH, AGND = PGND, unless otherwise specified. External components as listed in [External Component Selection](#) section (or equivalent), unless otherwise stated. Typical entries apply at +25°C. **Boldface limits apply across the ambient operating temperature range -40°C to +105°C, unless otherwise stated. (Cont.)**

| Parameter                      | Symbol                  | Test Conditions <sup>[1]</sup>                               | Min <sup>[2]</sup> | Typ | Max <sup>[2]</sup> | Unit |
|--------------------------------|-------------------------|--|--------------------|-----|--------------------|------|
| <b>Logic I/O</b>               |                         |  |                    |     |                    |      |
| Operating Input Voltage Range  | V <sub>OP_EN</sub>      | CEN, PWRON   | <b>0</b>           | -   | <b>5.5</b>         | V    |
|                                | V <sub>OP_MPIO</sub>    | MPIOx  | <b>0</b>           | -   | <b>5.5</b>         | V    |
|                                | V <sub>OP_I2C</sub>     | SCL, SDA   | <b>0</b>           | -   | <b>5.5</b>         | V    |
|                                | V <sub>OP_LDOSEL</sub>  | LDO_SEL1, LDO_SEL2   | <b>0</b>           | -   | <b>5.5</b>         | V    |
| HIGH 1 Input Voltage Threshold | V <sub>IH_EN</sub>      | CEN, PWRON   | <b>1.2</b>         | -   | -                  | V    |
|                                | V <sub>IH_MPIO</sub>    | MPIOx  | <b>1.2</b>         | -   | -                  | V    |
|                                | V <sub>IH_I2C</sub>     | SCL, SDA   | <b>1.2</b>         | -   | -                  | V    |
|                                | V <sub>IH_LDOSEL</sub>  | LDO_SEL1, LDO_SEL2, in {ACTIVE}                              | <b>1.2</b>         | -   | -                  | V    |
| LOW 0 Input Voltage Threshold  | V <sub>IL_EN</sub>      | CEN, PWRON   | -                  | -   | <b>0.4</b>         | V    |
|                                | V <sub>IL_MPIO</sub>    | MPIOx  | -                  | -   | <b>0.4</b>         | V    |
|                                | V <sub>IL_I2C</sub>     | SCL, SDA   | -                  | -   | <b>0.4</b>         | V    |
|                                | V <sub>IL_LDOSEL</sub>  | LDO_SEL1, LDO_SEL2, in {ACTIVE}                              | -                  | -   | <b>0.4</b>         | V    |
| Input Hysteresis               | V <sub>EN_HYS</sub>     | CEN, PWRON   | -                  | 150 | -                  | mV   |
|                                | V <sub>MPIO_HYS</sub>   | MPIOx  | -                  | 150 | -                  | mV   |
|                                | V <sub>I2C_HYS</sub>    | SCL, SDA   | -                  | 150 | -                  | mV   |
|                                | V <sub>LDOSEL_HYS</sub> | LDO_SEL1, LDO_SEL2, in {ACTIVE}                              | -                  | 150 | -                  | mV   |
| Input Leakage Current          | I <sub>L_EN</sub>       | CEN, PWRON.<br>CEN = 5.5V, PWRON = 5.5V <sup>[7]</sup>       | <b>-3.5</b>        | -   | <b>3.5</b>         | μA   |
|                                | I <sub>L_MPIO</sub>     | MPIOx. MPIOx = 5.5V <sup>[7]</sup>                           | <b>-3.5</b>        | -   | <b>3.5</b>         |      |
|                                | I <sub>L_I2C</sub>      | SDA, SCL SDA = SCL = 5.5V                                    | <b>-1</b>          | -   | <b>1</b>           |      |
|                                | I <sub>L_LDOSEL</sub>   | LDO_SELx, LDO_SELx = 5.5V <sup>[7]</sup>                     | <b>-3.5</b>        | -   | <b>3.5</b>         |      |
| Low Level Output Voltage       | V <sub>OL_MPIO</sub>    | MPIOx as output, open-drain.<br>Pull up to 1.8V, sinking 2mA | -                  | -   | <b>0.4</b>         | V    |
|                                | V <sub>OL_SDA</sub>     | SDA. Pull up to 1.8V, sinking 2mA                            | -                  | -   | <b>0.4</b>         |      |
|                                | V <sub>OL_INT</sub>     | INT#. Pull up to 1.8V, sinking 2mA                           | -                  | -   | <b>0.4</b>         |      |
| High Level Output Voltage      | V <sub>OH_MPIO</sub>    | MPIOx as full CMOS output, sourcing 2mA                      | <b>1.2</b>         | -   | -                  | V    |



AVDD = VCHG = BUCKx\_VINx = 5V, BUCK1\_FB = 1.1V, BUCK2\_FB = 1.2V, BUCK3\_FB = 1.8V, BUCK4\_FB = 3.3V, BUCK5\_FB = 1.2V, BUCK6\_FB = 0.6V, LDOx\_VIN = 5V, LDO1\_OUT = 3.3V, LDO2\_OUT = 3.3V, LDO3\_OUT = 2.5V, GEN = HIGH, PWRON = HIGH, AGND = PGND, unless otherwise specified. External components as listed in [External Component Selection](#) section (or equivalent), unless otherwise stated. Typical entries apply at +25°C. **Boldface limits apply across the ambient operating temperature range -40°C to +105°C, unless otherwise stated. (Cont.)**

| Parameter                                | Symbol  | Test Conditions <sup>[1]</sup>   | Min <sup>[2]</sup> | Typ  | Max <sup>[2]</sup> | Unit |
|--|---|--|--------------------|------|--------------------|------|
| <b>Protections</b>                       |   |  |                    |      |                    |      |
| Output Overvoltage Protection Threshold  | BK <sub>OVP_R</sub>   | BUCKx_FB rising. Percentage of output voltage target setting (Bucks 1, 2, 3)   | <b>6</b>           | 8.5  | <b>11</b>          | %    |
|  |   | BUCKx_FB rising. Percentage of output voltage target setting (Bucks 5 and 6)   | <b>6</b>           | 8.5  | <b>12.5</b>        |      |
|  | BK <sub>OVP_F</sub>   | BUCKx_FB falling. Percentage of output voltage target setting (Bucks 1, 2, 3)  | <b>4</b>           | 6.5  | <b>9</b>           |      |
|  |   | BUCKx_FB falling. Percentage of output voltage target setting (Bucks 5 and 6)  | <b>3</b>           | 6.5  | <b>9</b>           |      |
|  | BK <sub>OVP_HYS</sub>   | BK <sub>OVP_HYS</sub> = BK <sub>OVP_R</sub> - BK <sub>OVP_F</sub> . Percentage of output target setting. (Bucks 1, 2, 3, 5, and 6) | -                  | 2    | -                  |      |
|  | BK4 <sub>OVP_R</sub>  | BUCK4_FB rising. Percentage of output voltage target setting   | <b>5</b>           | 10   | <b>15</b>          |      |
|  | BK4 <sub>OVP_F</sub>  | BUCK4_FB falling below BK <sub>OVP</sub> . Percentage of output target setting   | <b>4</b>           | 8.5  | <b>13</b>          |      |
|  | BK4 <sub>OVP_HYS</sub>  | BK4 <sub>OVP_HYS</sub> = BK4 <sub>OVP_R</sub> - BK4 <sub>OVP_F</sub> . Percentage of output target setting.                        | -                  | 1.5  | -                  |      |
| Output Undervoltage Protection Threshold | BK <sub>UVP_R</sub>   | BUCKx_FB rising. Percentage of output voltage target setting. (Bucks 1, 2, 3, 5, and 6)  | <b>-8</b>          | -5.5 | <b>-2</b>          | %    |
|  | BK <sub>UVP_F</sub>   | BUCKx_FB falling. Percentage of output target setting. (Bucks 1, 2, 3)   | <b>-13</b>         | -11  | <b>-8</b>          |      |
|  |   | BUCKx_FB falling. Percentage of output target setting. (Bucks 5 and 6)   | <b>-13</b>         | -11  | <b>-6</b>          |      |
|  | BK <sub>UVP_HYS</sub>   | BK <sub>UVP_HYS</sub> = BK <sub>UVP_R</sub> - BK <sub>UVP_F</sub> . Percentage of output target setting. (Bucks 1, 2, 3, 5, and 6) | -                  | 5.5  | -                  |      |
|  | BK4 <sub>UVP_R</sub>  | BUCK4_FB rising. Percentage of output voltage target setting.  | <b>-12</b>         | -7   | <b>-2.5</b>        |      |
|  | BK4 <sub>UVP_F</sub>  | BUCK4_FB falling. Percentage of output target setting.   | <b>-18</b>         | -13  | <b>-8</b>          |      |
| BK4 <sub>UVP_HYS</sub>                   | BK4 <sub>UVP_HYS</sub> = BK4 <sub>UVP_R</sub> - BK4 <sub>UVP_F</sub> . Percentage of output target setting. | -  | 6                  | -    |                    |      |

AVDD = VCHG = BUCKx\_VINx = 5V, BUCK1\_FB = 1.1V, BUCK2\_FB = 1.2V, BUCK3\_FB = 1.8V, BUCK4\_FB = 3.3V, BUCK5\_FB = 1.2V, BUCK6\_FB = 0.6V, LDOx\_VIN = 5V, LDO1\_OUT = 3.3V, LDO2\_OUT = 3.3V, LDO3\_OUT = 2.5V, CEN = HIGH, PWRON = HIGH, AGND = PGND, unless otherwise specified. External components as listed in [External Component Selection](#) section (or equivalent), unless otherwise stated. Typical entries apply at +25°C. **Boldface limits apply across the ambient operating temperature range -40°C to +105°C, unless otherwise stated. (Cont.)**

| Parameter                          | Symbol                | Test Conditions <sup>[1]</sup>  | Min <sup>[2]</sup> | Typ | Max <sup>[2]</sup> | Unit |
|------------------------------------|-----------------------|---|--------------------|-----|--------------------|------|
| Output Fault Deglitch Time         | $t_{FLT\_DEGLITCH}$   | Deglitch time from fault event to INT# assertion for unmasked faults, including: BUCK OV and UV, LDO PGOOD, Thermal Warning and Shutdown. | <b>0.8</b>         | 1   | <b>1.2</b>         | ms   |
| High Current Warning Deglitch Time | $t_{HC\_DEGLITCH}$    | Buck1 high current warning  | -                  | 100 | -                  | μs   |
| Thermal Shutdown Threshold         | $T_{SHDN}$            | Junction temperature rising. Thermal shutdown asserted.   | <b>125</b>         | 135 | <b>145</b>         | °C   |
|                                    | $T_{SHDN\_HYS}$       | Junction temperature falling below $T_{SHDN}$ . Thermal shutdown de-asserted.   | -                  | 30  | -                  | °C   |
| Thermal Warning Threshold          | $T_{WARN}$            | Junction temperature rising. Thermal warning asserted. 120°C setting  | <b>110</b>         | 120 | <b>130</b>         | °C   |
|                                    | $T_{WARN\_HYS}$       | Junction temperature falling below $T_{WARN}$ . Thermal warning de-asserted.  | -                  | 25  | -                  | °C   |
| <b>Timing</b>                      |                       |   |                    |     |                    |      |
| PWRON Deglitch Time                | $t_{PWRON\_DEGLITCH}$ | -   | -                  | 100 | -                  | μs   |
| MPIOx Deglitch Time                | $t_{MPIO\_DEGLITCH}$  | -   | -                  | 1.5 | -                  | μs   |

1. All the  $C_{OUT}$  listed in Test Condition are nominal values (not derated), unless stated as derated or effective. For details on the recommended components, see [External Component Selection](#).
2. Parameters with MIN and/or MAX limits are 100% tested at +25°C, unless otherwise specified. Temperature limits established by characterization and are not production tested.
3. Follow this supply timing to ensure correct timekeeping of the RTC.
4. When a MPIOx is configured as full CMOS output, the sourcing current comes from VIO.
5. Compliance to datasheet limits is established by one or more methods: production test, characterization, and/or design.
6. At light loads, switching frequency is lower than the setting.
7. There is an internal 2MΩ pull-down resistor at each of the following pins: CEN, PWRON, MPIOx, and LDO\_SELx.

## 4. Typical Performance Graphs

AVDD = VCHG = BUCKx\_VINx = 5V, BUCK1\_FB = 1.1V, BUCK2\_FB = 1.2V, BUCK3\_FB = 1.8V, BUCK4\_FB = 3.3V, BUCK5\_FB = 1.2V, BUCK6\_FB = 0.6V, CEN = HIGH, PWRON = HIGH, T<sub>A</sub> = +25°C, unless otherwise stated. Refer to the [RTKA215300DE0000BU](#) BOM for the components used in the following measurements.

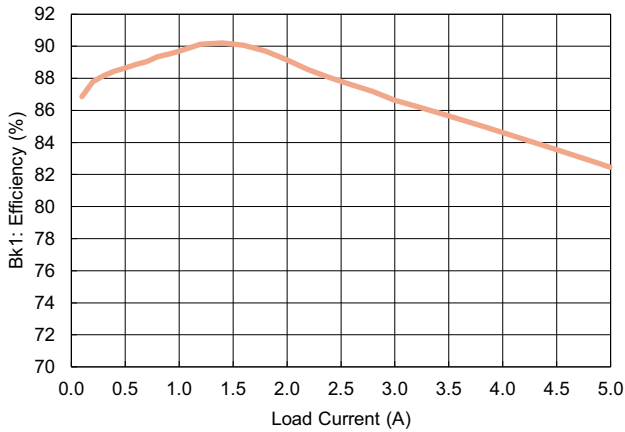


Figure 4. Buck1 Efficiency in Auto PFM/PWM mode

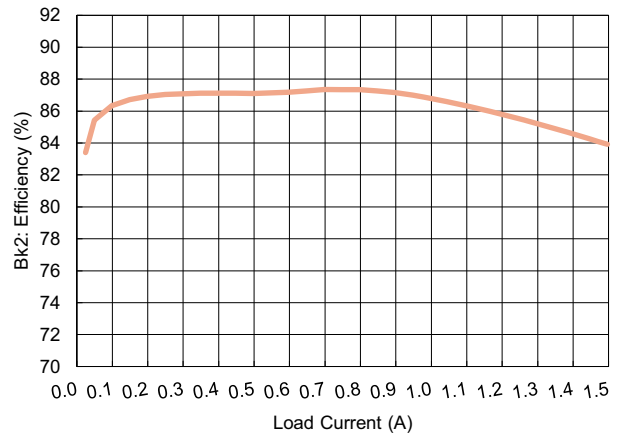


Figure 5. Buck2 Efficiency in Auto PFM/PWM mode

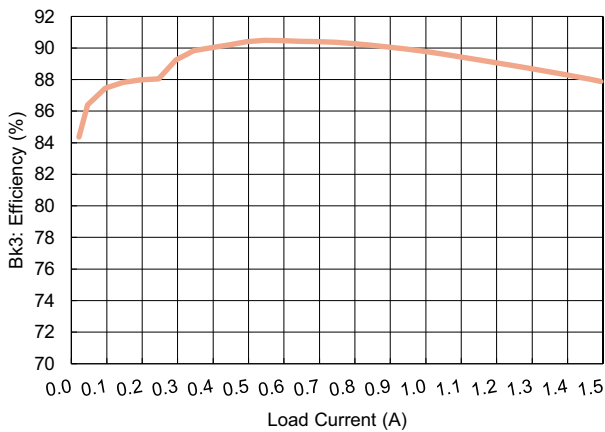


Figure 6. Buck3 Efficiency in Auto PFM/PWM mode

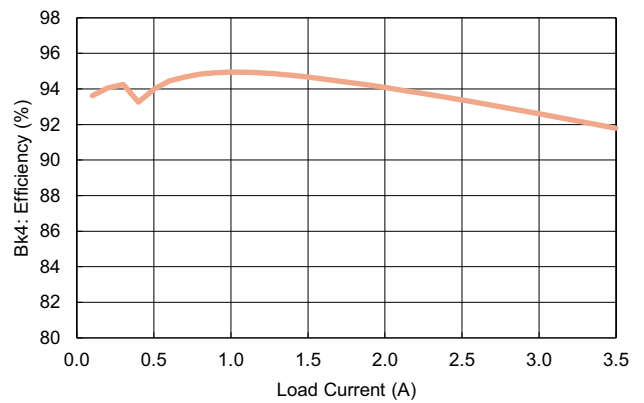


Figure 7. Buck4 Efficiency in Auto PFM/PWM mode

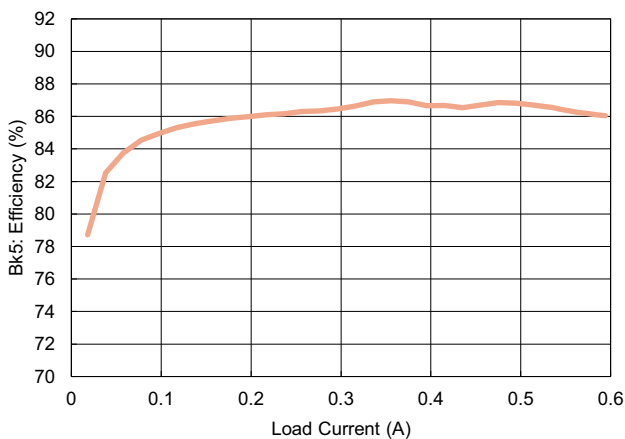


Figure 8. Buck5 Efficiency in Auto PFM/PWM mode

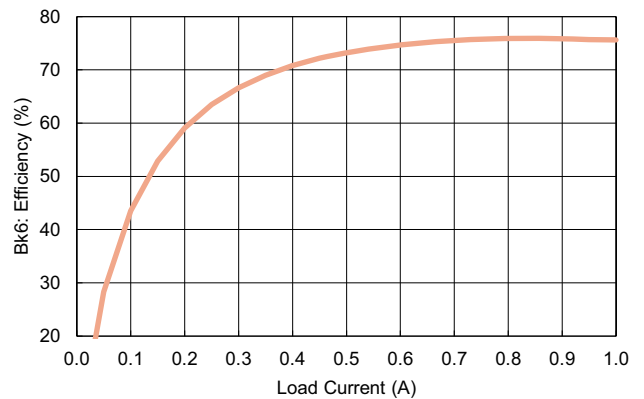


Figure 9. Buck6 Efficiency in VTT configuration (FPWM mode)

## 5. Serial Interface

The RAA215300 includes a standard I<sup>2</sup>C serial interface. The 2-wire interface links one or more Masters and uniquely addressable Slave devices. The Master generates clock signals and is responsible for initiating data transfers. The serial clock is on the SCL line and the serial data (bidirectional) is on the SDA line. The RAA215300 supports clock rates up to 1MHz (Fast mode plus) and is downward compatible with standard 100kHz (Standard mode), and 400kHz (Fast mode) clock rates.

The SDA and SCL lines must be HIGH when the bus is free (not in use). An external pull-up resistor (typically 1k $\Omega$  to 4.7k $\Omega$  depending on clock speed, pull-up voltage, and bus capacitance) or current source is required for SDA and SCL.

The I<sup>2</sup>C interface is not functional until VIO\_PGOOD is high. See [VCHG](#), [VBAT](#), and [VRTC](#) for more details.

### 5.1 I<sup>2</sup>C General Operation

#### 5.1.1 Data Validity

The data on the SDA line must be stable (clearly defined as HIGH or LOW) during the HIGH period of the clock signal. The state of the SDA line can only change when the SCL line is low (except to create a START or STOP condition). The voltage levels used to indicate a logical 0 (LOW) and logical 1 (HIGH) are determined by the V<sub>IL</sub> and V<sub>IH</sub> thresholds, respectively, see [Electrical Specifications](#).

#### 5.1.2 START and STOP Condition

All I<sup>2</sup>C communication begins with a START condition (indicating the beginning of a transaction) and ends with a STOP condition (signaling the end of the transaction).

A START condition is signified by a HIGH-to-LOW transition on the serial data line (SDA) while the serial clock line (SCL) is HIGH. A STOP condition is signified by a LOW-to-HIGH transition on the SDA line while SCL is HIGH.

See timing specifications in [I<sup>2</sup>C Timing](#).

The Master always initiates START and STOP conditions. After a START condition, the bus is considered busy. After a STOP condition, the bus is considered free. The device supports repeated STARTs, where the bus remains busy for the continued transaction(s).

#### 5.1.3 Byte Format

Every byte on SDA must be 8 bits in length. After every byte of data sent by the transmitter, there must be an Acknowledge bit (from the receiver) to signify that the previous 8 bits were transferred successfully. Data is always transferred on SDA with the most significant bit (MSB) first. If the data is larger than 8 bits, it can be separated into multiple 8-bit bytes.

#### 5.1.4 Acknowledge (ACK)

Each 8-bit data transfer is followed by an Acknowledge (ACK) bit from the receiver. The ACK bit signifies that the previous 8 bits of data were transferred successfully (master-slave or slave-master).

When the Master sends data to the Slave (for example, during a WRITE transaction), after the 8th bit of a data byte is transmitted, the Master tri-states the SDA line during the 9th clock. The Slave device acknowledges that it received all 8 bits by pulling down the SDA line, generating an ACK bit.

When the Master receives data from the Slave (for example, during a data READ transaction), after the 8th bit is transmitted, the Slave tri-states the SDA line during the 9th clock. The Master acknowledges that it received all 8 bits by pulling down the SDA line, generating an ACK bit.

### 5.1.5 Not Acknowledge (NACK)

A Not Acknowledge (NACK) bit is generated when the receiver does not pull down the SDA line during the acknowledge clock (that is, the SDA line remains HIGH during the 9th clock), indicating to the Master that it can generate a STOP condition to end the transaction and free the bus.

A NACK bit can be generated for various reasons, for example:

- After an I<sup>2</sup>C device address is transmitted, there is NO receiver with that address on the bus to respond.
- The receiver is busy performing an internal operation (for example, reset or recall) and cannot respond.
- The Master (acting as a receiver) must indicate the end of a transfer with the Slave (acting as a transmitter).

### 5.1.6 Device Address and R/W Bit

After a valid START condition, the first byte sent in a transaction contains the 7-bit Device (Slave) Address plus a direction (R/W) bit (Device Address Byte). The Device Address identifies which device (of up to 127 addresses on the I<sup>2</sup>C bus) the Master wishes to communicate with.

After a START condition, the device monitors the first 8 bits received (Device Address byte), and checks for its 7-bit Device Address in the MSBs. If it recognizes the correct Device Address, it ACKs and becomes ready for further communication. If it does not see its Device Address, it sits idle until another START condition is issued on the bus.

*Note:* The 8th bit (LSB) of the Device Address byte indicates the direction of transfer, READ or WRITE (R/W). A 0 indicates a WRITE operation - the Master transmits data to the RAA215300 (receiver). A 1 indicates a Read operation - the Master receives data from the RAA215300 (transmitter).

## 5.2 Device Communication Protocol

### 5.2.1 7-bit Device Addresses

The RAA215300 employs two 7-bit I<sup>2</sup>C device/slave addresses. One address accesses settings related to the RTC function (RTC Slave Address) - default address **0x6F** (1101111x). Another address accesses the remainder of the device settings (Main Slave Address) - default address **0x12** (0010010x). The LSB is a direction bit, which can be 0 for a WRITE or 1 for a READ, which is not part of the unique 7-bit I<sup>2</sup>C device address.

Both addresses are programmable in EEPROM with possible values in the range 0x01 to 0x7F. The two slave addresses can be the same value for single slave address access to the register space.

### 5.2.2 Register Size

All the device registers contain 8-bit (byte) data. The data is latched-in after the 8th bit (LSB) is received. If a partial data byte is received, that byte is ignored, but any previously acknowledged bytes are accepted.

### 5.2.3 I<sup>2</sup>C Write Operation

A Write operation consists of the master sending a START condition, followed by a valid device address byte (R/W bit set to 0), a Register Address Byte, Data Byte, and a STOP condition. After each byte, the device responds with an ACK. The I<sup>2</sup>C protocol supports burst writing (automatic incrementing of address pointer). After every successfully transmitted data byte, the device automatically increments the internal register address, so subsequent data bytes are written to sequentially incremental register locations. The master must send a STOP condition after sending at least one full data byte and receiving the associated ACK. If a STOP is issued in the middle of a data byte, the Write for that byte is not performed. The basic write transaction structure is shown in [Figure 10](#).

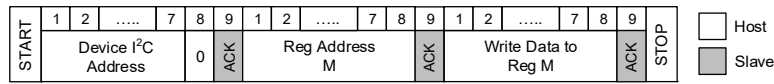


Figure 10. 1-Byte Write to Register M

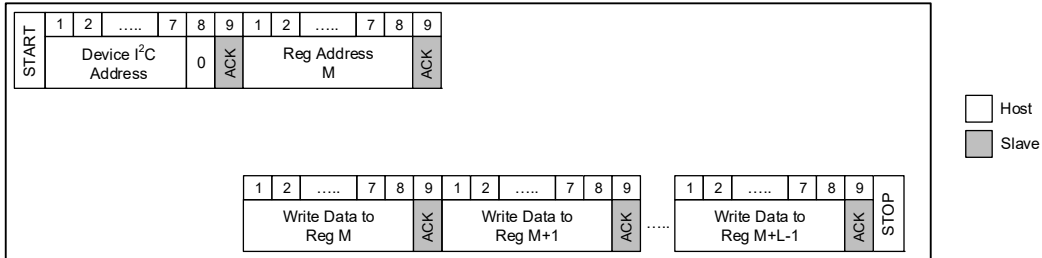


Figure 11. L-Byte Sequential Data Write Starting at Register M

### 5.2.4 I<sup>2</sup>C Read Operation

The master sends a START condition, followed by a valid device address byte (R/W bit set to 0), a register address byte, a second (repeated) START, and a valid device address byte (R/W bit set to 1). After each of the three bytes, the device responds with an ACK. The device then transmits data bytes back to the master, and the master ACKs after each byte. The master terminates the Read operation by issuing a NACK and sending a STOP condition.

After every successfully transmitted data byte, the device automatically increments the internal register address, so data bytes are sent out from sequential register locations.

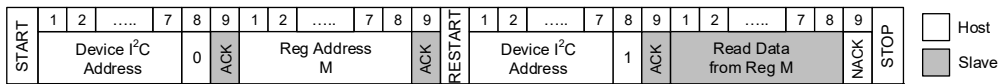


Figure 12. 1-Byte Read to Register M

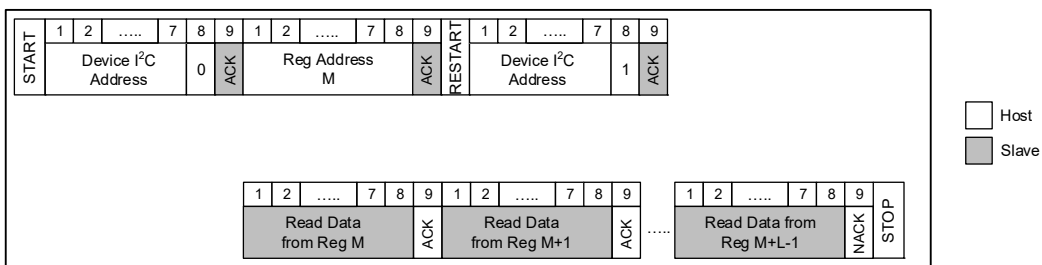


Figure 13. L-Byte Sequential Data Read Starting at Register M

### 5.2.5 I<sup>2</sup>C Timing

The timing specifications of the I<sup>2</sup>C I/O from the I<sup>2</sup>C specification are shown in Figure 14 and Table 1. The I<sup>2</sup>C controller provides a slave I<sup>2</sup>C transceiver capable of interpreting I<sup>2</sup>C protocol in Standard, Fast, and Fast-mode plus modes.

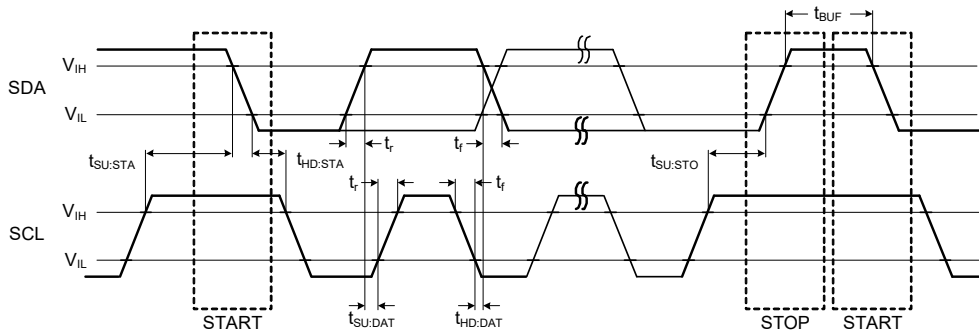


Figure 14. I<sup>2</sup>C Timing Definitions

Table 1. I<sup>2</sup>C Timing Characteristics

| Parameter   | Symbol              | Standard Mode |      | Fast Mode                    |     | Fast Mode Plus               |      | Unit |
|---|---------------------|---------------|------|------------------------------|-----|------------------------------|------|------|
|   |                     | Min           | Max  | Min                          | Max | Min                          | Max  |      |
| SCL Clock Frequency   | f <sub>SCL</sub>    | 0             | 100  | 0                            | 400 | 0                            | 1000 | kHz  |
| Hold Time (repeated) START Condition                              | t <sub>HD:STA</sub> | 4.0           | -    | 0.6                          | -   | 0.26                         | -    | μs   |
| LOW Period of the SCL Clock                                       | t <sub>LOW</sub>    | 4.7           | -    | 1.3                          | -   | 0.5                          | -    | μs   |
| HIGH Period of the SCL Clock                                      | t <sub>HIGH</sub>   | 4.0           | -    | 0.6                          | -   | 0.26                         | -    | μs   |
| Set-Up Time for a Repeated START Condition                        | t <sub>SU:STA</sub> | 4.7           | -    | 0.6                          | -   | 0.26                         | -    | μs   |
| Data Hold Time <sup>[1]</sup>                                     | t <sub>HD:DAT</sub> | 0             | -    | 0                            | -   | 0                            | -    | μs   |
| Data Set-Up Time  | t <sub>SU:DAT</sub> | 250           | -    | 100                          | -   | 50                           | -    | ns   |
| Rise Time of SDA and SCL  | t <sub>r</sub>      | -             | 1000 | 0                            | 300 | -                            | 120  | ns   |
| Fall Time of SDA and SCL <sup>[2][3]</sup>                        | t <sub>f</sub>      | -             | 300  | 20 x (V <sub>DD</sub> /5.5V) | 300 | 20 x (V <sub>DD</sub> /5.5V) | 120  | ns   |
| Set-Up Time for a STOP Condition                                  | t <sub>SU:STO</sub> | 4.0           | -    | 0.6                          | -   | 0.26                         | -    | μs   |
| Bus Free Time Between a STOP and START Condition                  | t <sub>BUF</sub>    | 4.7           | -    | 1.3                          | -   | 0.5                          | -    | μs   |
| Capacitive Load for Each Bus Line                                 | C <sub>b</sub>      | -             | 400  | -                            | 400 | -                            | 550  | pF   |
| Pulse Width of Spikes that must be Suppressed by the Input Filter | t <sub>SP</sub>     | -             | -    | 0                            | 50  | 0                            | 50   | ns   |
| Input Capacitance for each SDA and SCL                            | C <sub>i</sub>      | -             | 10   | -                            | 10  | -                            | 10   | pF   |

- t<sub>HD:DAT</sub> is the data hold time that is measured from the falling edge of SCL, applies to data in transmission and the acknowledge.
- V<sub>DD</sub> = External pull-up voltage.
- In Fast mode Plus, fall time is specified the same for both output stage and bus timing. If series resistors are used, designers should allow for this when considering bus timing.

## 5.3 Unimplemented Registers

All register addresses that are defined in the register map ACK write commands and return data to read commands that address them. Unimplemented registers address ACK write commands but data is ignored, and returns a fixed value of 0x00 to read commands.

## 6. Registers and EEPROM

The RAA215300 features both volatile (RAM/registers) and non-volatile (EEPROM) memory. The volatile value of each register can be set by writing data to the appropriate register using the selected interface, or it can be recalled and loaded from the integrated EEPROM.

When the device enters into {READ\_EE}, digital logic loads the pre-programmed EEPROM data into the volatile register space. When all data is loaded successfully, the device does not reload EEPROM data again unless there has been a power cycle, CEN toggle, or software reset command. See [Operating {States} and Transition Conditions](#).

Volatile register data can be written or read back on the fly, as fast as the I<sup>2</sup>C interface can support.

### 6.1 EEPROM

The RAA215300 integrates high endurance EEPROM to store all IC configurations. The EEPROM is capable of 1000 plus endurance cycles and 10yrs at 85C of data retention.

#### 6.1.1 Writing to the EEPROM

EEPROM programming is initiated through a control byte register. When setting the write bit to 1 in the control byte (0xFF), all the related non-volatile register data are copied to EEPROM on the subsequent I<sup>2</sup>C STOP condition. During the EEPROM programming cycle time, the device is internally busy and NACKs to any interface commands, however the buck, LDO outputs, and other IC operations are not halted during the programming time.

When the programming cycle completes, the stored EEPROM data is automatically read back into the register. This provides a way for the host to validate successful programming by reading back the register(s) and comparing it with the value(s) intended to be programmed. If values match, programming was successful. However, if the register data reverts to the previous stored EEPROM value, the EEPROM values were not successfully updated.

##### 6.1.1.1 EEPROM Banks

The RAA215300 EEPROM is partitioned into eight separate banks. All customer banks are (re)programmed each time an EEPROM programming operation commences. For details about each register and bits, see the [Register Map](#).

##### 6.1.1.2 EEPROM Programming Voltage

When programming the EEPROM, the minimum voltage requirement must be met:

- $V_{PROG} \geq 21V$

If the condition is not met, the EEPROM programming operations are not successful. If there was insufficient EEPROM programming or reading voltage, the NVM\_Error\_Latched and EE\_Error\_Latched bits are set to 1. The fault flags do not affect the power-on sequencer.

##### 6.1.1.3 Step-by-Step EEPROM Programming Instructions

1. The device should be in {STANDBY} or onward.
2. Write/set up all the required register values (volatile).
3. Apply sufficient EEPROM programming cycle voltage to VPROG, see [EEPROM Programming Voltage](#).

*Note:* This step can occur before Step 2.



4. Set the write bit in the control byte - write register address 0xFF[1] = 1. On the subsequent I<sup>2</sup>C stop condition, the EEPROM programming cycle commences.
5. The system must wait for the maximum  $t_{EE\_WRITE}$  time to elapse before attempting further interface activity with RAA215300, or making any changes to the supplies as the device is internally busy with programming operations.

## 6.1.2 Recalling the EEPROM

There are two ways to load EEPROM data to the device volatile registers:

- Automatic Recall – Occurs during initial power-on (or power cycle). See [Operating {States} and Transition Conditions](#).
- Manual/Software Recall – Issue an I<sup>2</sup>C reset command to the control byte (register 0xFF).

When the EEPROM is being loaded to the registers, the device is internally busy and NACKs to any I<sup>2</sup>C commands. When all data is loaded successfully, the RAA215300 does not reload the data unless there has been a new power cycle, toggle of CEN, or software recall command.

### 6.1.2.1 Valid EEPROM Data Check

During the initial automatic recall, the device provides a safety mechanism to effectively stall the power-on process (sequencer) before any blocks become enabled, and output sequencing starts if it is determined that the EEPROM data has not been programmed or checked by the host. This is accomplished by putting the device into {FAULT\_OUT}, which allows the system host to first read back by I<sup>2</sup>C and initially program the EEPROM data loaded to the registers or confirm loaded data are valid for the application. This helps prevent any undesirable application system behavior. The host can verify this event occurred by reading the fault registers and observing if the NVM\_Error\_Latched fault and Valid\_EE\_Data latched fault bits are set to 1. This feature is not enabled if registers 0xD9 - 0xDD are all at zero value.

If the register and/or EEPROM data must be changed after the host checks any required register data, the host can make the necessary programming changes. When correct register data is set, the host should clear the NVM\_Error\_Latched fault by writing 1 to it, which clears both NVM\_Error\_Latched and Valid\_EE\_Data bits and releases the device to continue the power-on as determined by PWRON and configuration register settings. This gives the host authority to validate the register settings and specifically control when the device is allowed to start the system.

When the required RAA215300 settings are fixed and programmed to EEPROM (that is, the host no longer requires to validate the data at each power-on), programming register EEPROM\_ID\_1 or EEPROM\_ID\_2 to any non-zero value in EEPROM authorizes that the EEPROM data is valid. Therefore, the device no longer enters {FAULT\_OUT} and awaits host intervention at subsequent power-on events. *Note:* Reprogramming register EEPROM\_ID\_1 and EEPROM\_ID\_2 back to 0x00 value causes the device to enter {FAULT\_OUT} at future power-on events.

## 6.2 EEPROM Error Correction

Data stored in EEPROM is protected by error correction codes (ECC), which allows a single bit error in a given memory bank to be corrected. Each EEPROM bank is covered by its own error correction code.

When a bank of EEPROM is programmed, the error correction code for that bank is automatically generated internally and stored in the same bank. When the EEPROM is recalled, the error correction code is checked, and a correctable (single bit) error is automatically corrected.

Should a single bit correction occur, the EE\_Bank#\_ECC\_Corrected status flag and NVM\_Error\_Latched bit are set. INT# is asserted. The device still transitions states normally to start up. The host can clear the NVM\_Error\_Latched fault by writing 1 to it, which clears both NVM\_Error\_Latched and EE\_Bank#\_ECC\_Corrected bits and de-asserts the INT# output. Two-bit errors in any bank are detected and reported as uncorrectable errors by setting the INT# interrupt event, NVM\_Error\_Latched bit, and EE\_Bank#\_ECC\_Error status flags. The device ignores the other control inputs (such as PWRON) and enters

{FAULT\_OUT}. The host should clear the NVM\_Error\_Latched fault by writing 1 to it, which clears both NVM\_Error\_Latched and EE\_Bank#\_ECC\_Error bits and releases the device to continue the power-on sequence.

### 6.2.1 ECC Bank Detail Bits

Each RAA215300 memory bank has dedicated ECC bank detail fault bits to uniquely report if a given bank had either an uncorrected, or corrected ECC error occur. These bits do not affect IC operation, they are simply used to provide additional information in the event of ECC operation.

When an ECC error is uncorrected for a given bank # (that is, EEPROM EE\_Read\_Error interrupt event occurs), a corresponding detail status bit (EE\_Bank#\_ECC\_Error) is set to 1. The EE\_Bank#\_ECC\_Error status bits can be cleared by writing 1 to the NVM\_Error\_Latched bit.

When an ECC error is corrected for a given bank #, a corresponding detail status bit (EE\_Bank#\_ECC\_Corrected) is set to 1. The bit(s) can be cleared by the host by writing 1 to the NVM\_Error\_Latched bit.

## 7. Power Supplies

The RAA215300 requires one input power supply to power everything. To describe various usage of the power supply, it is helpful to give it various names, but all named parts must be connected together by the PCB. AVDD and VCHG are defined in [Pin Descriptions](#). The input power supply provides power to all voltage regulators, and these connections have various names defined in [Pin Descriptions](#). Connection to the IC is made at many physical locations, identified by name, and each location must have dedicated decoupling capacitance.

### 7.1 Internal LDO (VIO)

An LDO rejects noise from the VCHG supply and provides a quiet and stable internal supply, VIO, for interface logic.

The LDO is output-compensated and requires a minimum of 1.2 $\mu$ F effective output capacitance, placed close to the VIO pin. See [External Component Selection](#) and [Device Specific Layout Guidelines](#).

VIO is enabled as soon as AVDD exceeds its UVLO rising threshold. VIO power-good (VIO\_PGGOOD) is monitored only after EEPROM is read. The timeout period starts as soon as the FSM enters {WAIT\_FOR\_VIO}. The timeout period is set by a 2-bit register. See {WAIT\_FOR\_VIO}.

A register bit is assigned to mask or unmask the VIO\_PGGOOD signal from INT#. Another register bit shows the status of the VIO power-good fault. When asserted, this fault flag is latched and does not clear automatically. It can only be cleared by writing 1 to the register, hardware reset, or input power cycle.

The VIO LDO is capable of supporting an additional external load of up to 20mA continuously.

### 7.2 VCHG, VBAT, and VRTC

VRTC is an output that provides power to the RTC. VRTC is generated internally from the higher of VBAT and VCHG. If RTC is used, Renesas recommends placing a capacitor footprint between VRTC and AGND. The capacitor is not populated by default. If RTC is not used, leave VRTC open.

VCHG is the power supply for the coin cell charger and the internal LDO VIO. VCHG must be connected to AVDD, allowing I<sup>2</sup>C to be operational when the RTC is in battery mode while AVDD remains above its UVLO falling threshold (for example, AVDD = 2.7V, VBAT = 3V). Given that the input thresholds of the I<sup>2</sup>C signals depend on the VIO supply, which is derived from VCHG, the I/Os are effectively disabled when VIO\_PGGOOD is LOW (invalid). This could occur when CEN is LOW (the main IC is shut down) if AVDD is below its UVLO level, or when the VIO LDO is powering up.

VBAT can be connected to a coin cell battery or a supercapacitor. VBAT is selected to supply VRTC when VCHG falls below the VBAT voltage - entering battery mode operation. When VCHG rises above (VBAT + VBAT<sub>HYS</sub>), the system selects VCHG to supply VRTC.

## 8. Operating {States} and Transition Conditions

The RAA215300 has a finite-state machine (FSM) to execute transitions between various operational states. The following describes those states and the conditions for transitions.

### 8.1 {RESET}

If AVDD is below its UVLO falling threshold in any state or CEN = LOW in {STANDBY} or {FAULT\_OUT}, the device enters {RESET}. In {RESET}, the digital circuit is held in reset, and if CEN = LOW, the device is powered down. When AVDD is above its UVLO rising threshold and CEN = LOW, the device is in the SHUTDOWN condition.

### 8.2 {READ\_EE}

When AVDD is above its UVLO rising threshold and CEN = HIGH, EEPROM values are read into the registers. When EEPROM reading/loading is successfully completed, the device sets the NVM\_Read\_Complete latched flag and then transitions to {WAIT\_FOR\_VIO}.

*Note:* There is an error correction system (1-bit error correction and 2-bit error detection) that checks the EEPROM loads correct data. If EE\_Bankx\_ECC\_Error or Valid\_EE\_Data errors are detected, the state machine sets the NVM\_Error\_Latched flag bit. If this occurs, the part ignores control inputs (for example, PWRON) and enters {FAULT\_OUT}. See [Valid EEPROM Data Check](#) and [EEPROM Error Correction](#).

### 8.3 {WAIT\_FOR\_VIO}

{WAIT\_FOR\_VIO} follows successful {READ\_EE}. Providing that AVDD is valid and that CEN is high, on entry to {WAIT\_FOR\_VIO}, a programmable timer (VIO Timeout) starts, and monitoring of VIO\_PGOOD begins. If VIO\_PGOOD is asserted before the timer expires, the FSM transitions to {STANDBY} before the end of the timeout period. If VIO\_PGOOD is not asserted when the timer expires, the FSM transitions to {FAULT\_OUT}.

### 8.4 {STANDBY}

In {STANDBY}, MPIOx (if configured as inputs) and PWRON are responded to. The I<sup>2</sup>C interface becomes operational as well. When PWRON is asserted, the FSM enters {STANDBY\_EXIT}.

#### 8.4.1 {STANDBY\_EXIT}

The FSM stays in this state until a timer expires (typically around 80µs). When the timer expires, the FSM enters {STANDBY\_TO\_ACTIVE}.

#### 8.4.2 {STANDBY\_TO\_ACTIVE}

In {STANDBY\_TO\_ACTIVE}, the output rails are turned on if enabled in the register settings, and MPIOx is asserted if configured as outputs in the register settings. MPIOx can also be configured to inputs that control regulator output power-on timing. See [Power-ON](#) for details.

#### 8.4.3 {ACTIVE\_TO\_STANDBY}

In {ACTIVE}, if PWRON is de-asserted, the FSM transitions to {ACTIVE\_TO\_STANDBY}. The FSM enters {STANDBY} when the outputs complete the programmed power-off sequence.

### 8.5 {ACTIVE}

When the output rails and MPIOx complete the programmed power-on sequence, the FSM enters {ACTIVE}.

## 8.6 {IORESET}

There are three possible causes of the device entering {IORESET}:

- CRST\_IN# is asserted when CRST\_Fault\_EN = LOW
- The watchdog timer expires when WD\_PD\_EN = LOW
- WD\_RST\_EN = HIGH; or Warm Reset = HIGH

The MPIOx reset outputs are asserted immediately. See [Warm and Cold Reset](#) for details. While in this state, if PWRON is de-asserted, the device transitions to {ACTIVE\_TO\_STANDBY}.

### 8.6.1 {IORESET\_TO\_ACTIVE}

When reset is complete, the reset register bit is cleared automatically and the device enters {IORESET\_TO\_ACTIVE}. While in {IORESET\_TO\_ACTIVE}, if PWRON is de-asserted, the FSM enters {ACTIVE\_TO\_STANDBY}.

## 8.7 {SLEEP}

{SLEEP} is a mode of operation with selectable alternative power rails settings. Different output voltages may be set, and the buck regulators can each be set to a different operating mode.

While in {ACTIVE}, if SLEEP# is asserted or the SLEEP\_State\_EN bit is HIGH, the FSM enters {ACTIVE\_TO\_SLEEP}.

### 8.7.1 {ACTIVE\_TO\_SLEEP}

There are two output voltage settings for each rail - one for {ACTIVE} and one for {SLEEP}. When entering {SLEEP}, the voltage transitions to {SLEEP} settings following the power-off sequence. If the voltage settings are different for the two states, the voltages ramp up or ramp down according to the programmed DVS slew rate. When slewing of all output voltages completes, the FSM enters {SLEEP}.

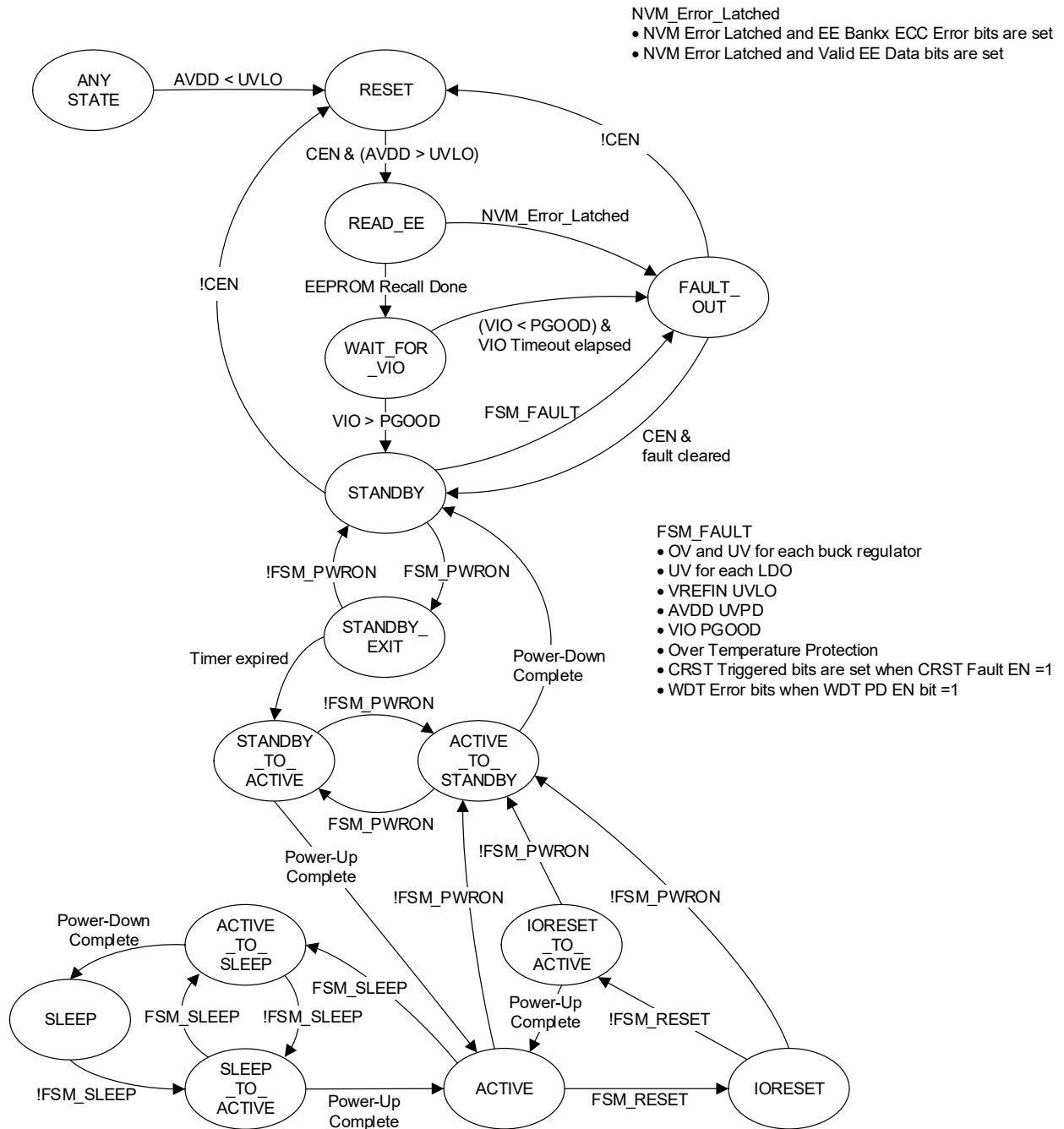
### 8.7.2 {SLEEP\_TO\_ACTIVE}

While in {SLEEP}, if SLEEP# is de-asserted or the SLEEP\_State\_EN bit is LOW, the FSM transitions to {SLEEP\_TO\_ACTIVE} following the power-on sequence. If the voltage settings are different for the two states, the voltages ramp up or ramp down according to the programmed DVS slew rate. When all output voltage changes complete, the FSM enters {ACTIVE}.

## 8.8 {FAULT\_OUT}

If a fault condition occurs, the FSM enters {FAULT\_OUT} after completing the power-off sequence (see [Device Monitors, Warnings, and Protections](#)). Depending on the fault type and configured response, the device may turn off all outputs in {FAULT\_OUT}. INT# is pulled LOW if not masked from that particular fault. If CEN = LOW, the device enters {RESET}. To exit {FAULT\_OUT} and enter {STANDBY}, the fault condition(s) must cease, and all latched fault bits must be cleared by writing 1 to the fault register bit(s).

If the latched fault bit is cleared before all the outputs have finished turning off, the power-up sequence can begin with some outputs already enabled. This behavior can be avoided if necessary by ensuring that there is sufficient delay before clearing the latched fault bit. Alternatively, the cold reset function ([Warm and Cold Reset](#)) can be triggered immediately before clearing the latched fault bit to ensure that the power-down sequence completes before powering up again.



FSM\_PWRON = CEN & PWRON & !FSM\_FAULT & !I<sup>2</sup>C\_TRIGGER\_RESET & ICOLD\_RESET

FSM\_RESET

- CRST\_IN# is asserted when CSRST\_FAULT\_EN = LOW
- WDT Expires when WD\_RST\_EN = HIGH and WD\_PD\_EN = LOW
- Warm Reset = HIGH

FSM\_SLEEP = SLEEP State EN | SLEEP#

Figure 15. State Diagram

## 9. Functional Blocks and Application Information

### 9.1 Chip Enable

The device chip enable (CEN) is an active high, level-sensitive input. When asserted (HIGH), it provides a whole chip enable signal, and when de-asserted (LOW), it disables the device, and all outputs are tri-stated. CEN supports being tied to AVDD. See [Electrical Specifications](#) for pin capability.

When asserted, the internal bias circuits power up and check to see if AVDD is above the UVLO threshold. CEN going low in any state where outputs are active causes a sequenced power-down and a transition to {STANDBY}, then onward to {RESET}. If CEN goes low in {ACTIVE} and goes high before the power-off sequence completes, the outputs restart following the power-on sequence when CEN = HIGH and PWRON is asserted without entering {RESET}.

When the power-off sequence is triggered by CEN going low, a shutdown period starts when the last output is powered off. The maximum Tshutdown setting of the output rails sets the shutdown period. At the end of the shutdown period, the FSM transitions to {STANDBY} and then {RESET}, which means the on-chip active discharge circuit stops working, and the output capacitors discharge by the external load current.

*Note:* When a fault or PWRON de-assertion triggers the power-off sequence, CEN being low is ignored if CEN goes low during the sequencing and goes back high before the sequence completes.

### 9.2 PWRON

Power-on (PWRON) is a configurable input offering with an on/off switch or push button support. PWRON polarity is configurable in both on/off switch and push-button mode. When configured as an on/off switch, the input is an active high or low (depending on the polarity setting) level-sensitive input. When configured as a push-button input, the input must be asserted low or high (depending on the polarity setting) for a programmable long duration (in seconds) to internally set the PWRON signal. The supported periods are 1s, 1.5s, 2s, and 3s. A long push button is required for initiating each of the power-on and power-off sequences.

When the internal PWRON signal is asserted, the FSM enters {STANDBY\_EXIT}, then onwards to {STANDBY\_TO\_ACTIVE} where it enables the regulators and starts the power-on sequence following the configurations loaded from EEPROM. When the internal signal is de-asserted, all the regulators are powered down, and the MPIOx outputs are asserted following the sequence configured in the register settings.

### 9.3 Multi Purpose I/O

The RAA215300 includes a set of multiple purpose inputs/outputs (MPIO0 to 5) with programmable functionalities.

If configured as either a Reset Output, External VR EN Output, or External VR power-good Input, during power-on/off each MPIOx has a power-on/off delay, which is set in MPIOx Power-On and MPIOx Power-Off registers. The power-on and power-off delay can be programmed from 0 to 127ms. The polarity, type, and function of each MPIOx can be configured independently by the MPIOx\_Config registers. Each MPIOx can be set to either active low or active high using the register bit MPIOx\_Invert. Each MPIOx can be set to general purpose input/output or a specific function. The supported functions for each pin are shown in [Table 2](#). When an MPIOx is set as a general purpose input, its status is read from the MPIO\_Input\_Status register. When an MPIOx is set as a general purpose output, it can be set to LOW or HIGH using the MPIO\_I2C\_Output register.

When an MPIOx is set to output, four different types can be selected from register bits MPIOx\_Type[1:0]: high impedance, open-drain NMOS output, open-drain PMOS output, or full CMOS output. When set to an open-drain NMOS output, the MPIO must be pulled up to an external voltage higher than the VIH threshold through a resistor, but within its allowable operating range. When set to open-drain PMOS output, the MPIO must be pulled down to GND through a resistor. When set to full CMOS output, the MPIO does not require an external pull-up voltage as it is pulled up to VIO internally.

It is acceptable to have multiple MPIOx configured with the same function.

The MPIOx configuration registers (0x8A - 0x8F) can be locked by the MPIO Config Lock bit to prevent the user from accidentally changing the MPIOx configurations. When this bit is set to 1, the registers at 0x8A - 0x8F are locked, which means that writing to those registers is ignored. The values in those registers can still be read back. After being set to 1, this bit cannot be set back to 0 until POR.

See the pin mapping shown in [Table 2](#).

**Table 2. MPIOx Supported Functions**

| Function  | Type   | MPIO0 | MPIO1 | MPIO2 | MPIO3 | MPIO4 | MPIO5 |
|---|--------|-------|-------|-------|-------|-------|-------|
| <a href="#">Unused MPIOx Pin</a>                  | -      | Yes   | Yes   | Yes   | Yes   | Yes   | Yes   |
| <a href="#">External VR PGOOD Input</a>           | Input  | Yes   | Yes   | Yes   | Yes   | Yes   | Yes   |
| <a href="#">Input to I<sup>2</sup>C Register</a>  | Input  | Yes   | Yes   | Yes   | Yes   | Yes   | Yes   |
| <a href="#">PGOOD Output</a>                      | Output | Yes   | Yes   | Yes   | Yes   | Yes   | Yes   |
| <a href="#">Reset Output</a>                      | Output | Yes   | Yes   | Yes   | Yes   | Yes   | Yes   |
| <a href="#">External VR EN Output</a>             | Output | Yes   | Yes   | Yes   | Yes   | Yes   | Yes   |
| <a href="#">Output to I<sup>2</sup>C Register</a> | Output | Yes   | Yes   | Yes   | Yes   | Yes   | Yes   |
| <a href="#">32kHz Clock (32K_CLK)</a>             | Output | -     | -     | Yes   | -     | -     | -     |
| <a href="#">SLEEP#</a>                            | Input  | -     | -     | -     | Yes   | -     | -     |
| <a href="#">WDT_RST#</a>                          | Input  | -     | -     | -     | -     | Yes   | -     |
| <a href="#">CRST_IN#</a>                          | Input  | -     | -     | -     | -     | -     | Yes   |

### 9.3.1 Unused MPIOx Pin

If an MPIO is not used, Renesas recommends setting the respective MPIO Type to Disabled (high impedance) and MPIO Function to Disabled in EEPROM. Any MPIO can be disabled. When disabled, it is high-impedance.

If the user does not want to program EEPROM when an MPIO is not used, the MPIO that is configured as an output can be left floating. The MPIO that is configured as an input must be connected to a known voltage to ensure it is in the de-assertion state.

### 9.3.2 External VR PGOOD Input

Any MPIO can be set to perform this function. When asserted, this signal pauses the power-on or power-off sequence timing of the RAA215300, providing a way to sequence the RAA215300 with an external regulator. The expected External VR PGOOD Input delays are set by the applicable MPIO power-on and power-off delays. Only the outputs with delay settings that are larger than the External VR PGOOD Input MPIO delay setting (relative to PWRON) are affected by the assertion or de-assertion of this MPIO input signal.

During power-on, when PWRON is asserted, the External VR PGOOD Input is expected to be asserted by the host within the delay time set in the MPIO Power-On register. If External VR PGOOD Input is not asserted before the MPIO delay expires, the power sequence pauses and waits for the signal to toggle. The delay timers of the outputs start to count when PWRON is asserted and are paused when the External VR PGOOD Input MPIO delay timer expires. When this input is asserted by the host, the power sequence continues. If External VR PGOOD Input is asserted before the MPIO delay expires, the outputs are not paused.

During power-off, when PWRON or CEN is de-asserted, the External VR PGOOD Input is expected to be de-asserted within the delay time set in the MPIO Power-Off register. If External VR PGOOD Input is not de-asserted, the power sequence pauses and waits for the signal to toggle. The delay timers of the outputs start to count when PWRON or CEN is de-asserted and are paused when the External VR PGOOD Input MPIO delay timer expires. When External VR PGOOD Input is de-asserted by the host, the power sequence continues. If External VR PGOOD Input is de-asserted before the MPIO delay expires, the outputs are not paused.

When only one MPIO is set to the External VR PGOOD Input function, the power-on or power-off delay of each output is calculated using Equation 1 where  $t_x$  is the delay setting of the output,  $T$  is the time when the External VR PGOOD Input is asserted or de-asserted after PWRON is asserted or de-asserted, and  $t_{MPIO}$  is the delay setting of the External VR PGOOD Input.

$$(EQ. 1) \quad t_{\text{delay}} = t_x + \max(0, T - t_{MPIO})$$

When multiple MPIOs are set to the External VR PGOOD Input function, the power-on or power-off delay of each output is calculated using Equation 2.

$$(EQ. 2) \quad t_{\text{delay}} = t_x + \max(0, T_y - t_{MPIOy}, \dots, T_N - t_{MPIO_N})$$

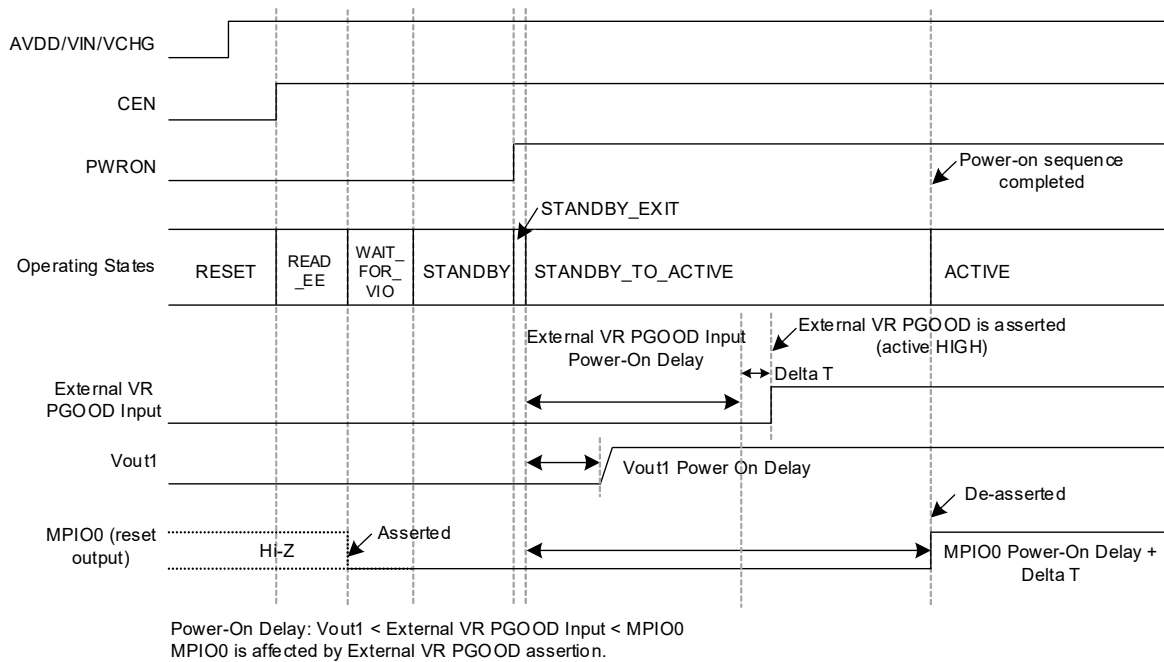


Figure 16. Power-On Example - External VR PGOOD Input



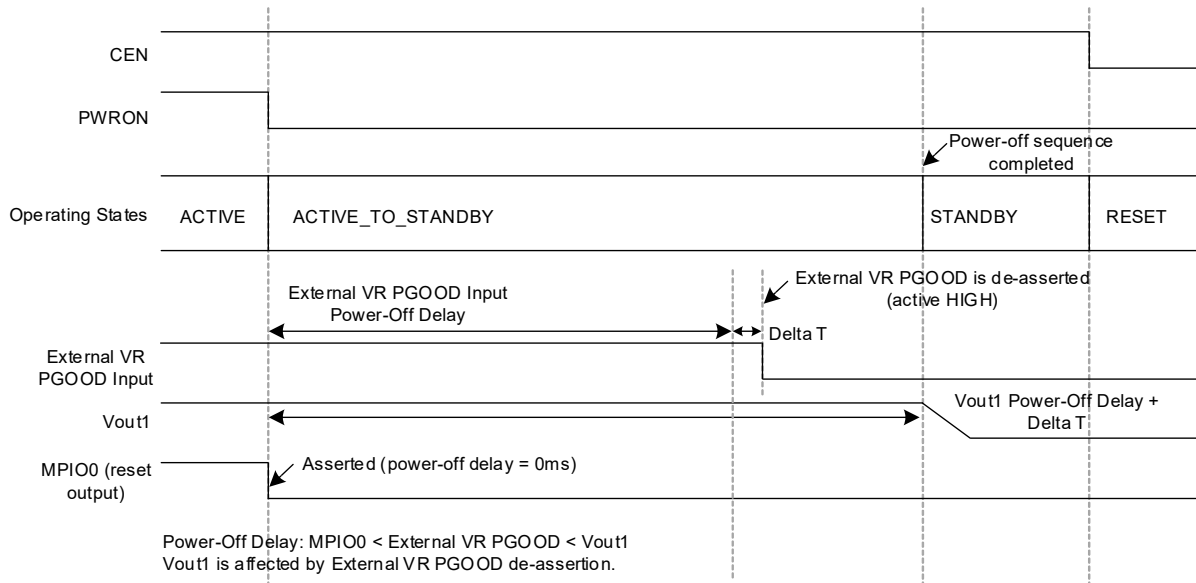


Figure 17. Power-Off Example - External VR PGOOD Input

### 9.3.3 Input to I<sup>2</sup>C Register

Any MPIO can be set to support this function. When an MPIO is set to this function, it is a general-purpose input. Its status can be read from the MPIO Input Status register.

### 9.3.4 PGOOD Output

Each MPIO can be configured as PGOOD output, and can be assigned to: a single regulator; VTTREF, or the AND of all regulators and VTTREF.

- When PGOOD output is assigned to a buck regulator, it is asserted when the regulator is enabled and its output voltage is greater than its undervoltage threshold and less than its overvoltage threshold.
- When PGOOD is assigned to an LDO, it is asserted when the regulator is enabled and its output voltage is greater than its undervoltage threshold.
- When PGOOD is assigned to VTTREF and VTTREF is enabled, PGOOD output is asserted IF  $(VREFIN > VREFIN\_UVLO)$  AND Buck2 soft start has completed. Otherwise, PGOOD output is de-asserted.
- When PGOOD is assigned to VTTREF and VTTREF is disabled, PGOOD output is asserted. This assignment allows the PGOOD AND function to operate when VTTREF is disabled.
- If any regulator is disabled and PGOOD output is set to AND of all regulators, PGOOD is not asserted.

### 9.3.5 Reset Output

Any MPIO can be set to support this function. The reset output provides a system reset signal. There can be more than one reset output required in the system, including processor reset (PRST#) and eMMC reset (eRST#). Multiple MPIO can be configured as reset outputs.

The reset output is asserted as soon as the EEPROM recall is completed. During power-on when PWRON is asserted, the reset output is de-asserted after the delay time set in the MPIOx Power-On register. During power-off when CEN or PWRON is de-asserted, the reset output is asserted after the delay time set in the MPIOx Power-Off register.

### 9.3.6 External VR EN Output

Any MPIO can be set to support this function. This output can be used as an enable signal to control an external regulator power-on/off. It should be configured such that when asserted by RAA215300 the signal enables the external regulator, and when de-asserted it should disable the external regulator.

Any MPIOx with this function is initially de-asserted as soon as the EEPROM recall is completed. During power-on when PWRON is asserted, the VR\_EN Output is asserted after the delay time set in the MPIOx Power-On register. During power-off when CEN or PWRON is de-asserted, the VR\_EN is de-asserted after the delay time set in the MPIOx Power-Off register.

### 9.3.7 Output to I<sup>2</sup>C Register

Any MPIO can be set to support this function. The MPIOx can be asserted HIGH or LOW with software control by setting the related bit in the register.

### 9.3.8 32kHz Clock (32K\_CLK)

Only MPIO2 supports this function. The function provides a driven clock signal output for external devices. The clock frequency is programmable with a maximum setting of 32.768kHz, which is the RTC crystal oscillator frequency. The RTC must be enabled by the RTC\_EN bit to output this clock signal. If the user does not have an external pull-up voltage, the MPIO2 must be configured as a Full CMOS output.

When this function is selected, the MPIO2 Power-Off Delay register Bits [3:0] are used to select the clock frequency. In this case, Bits [6:0] in this register are no longer used as a power-off delay. See the [Register Map](#).

### 9.3.9 SLEEP#

Only MPIO3 supports this function. This is an edge-triggered, hardware control input to control switching the device between {SLEEP} and {ACTIVE} operating states. The RAA215300 transitions from {ACTIVE} to {SLEEP} (through {ACTIVE\_TO\_SLEEP}) when SLEEP# is asserted, and transitions from {SLEEP} to {ACTIVE} (through {SLEEP\_TO\_ACTIVE}) when SLEEP# is de-asserted.

When MPIO3 is set to other functions, the sleep/active state can be controlled by software using the SLEEP\_State\_EN bit to control {SLEEP} mode entry/exit. When SLEEP State EN bit = 1, the device transitions to {ACTIVE\_TO\_SLEEP}, and when SLEEP\_State\_EN bit = 0, the device transitions to {SLEEP\_TO\_ACTIVE}. The hardware input and software bit control have a logical OR relationship, see [Table 3](#). To maintain hardware control, the bit should be kept at 0, whereas to maintain bit (software) control the hardware input must internally de-assert the signal (0) as determined by the MPIO3\_Invert configuration.

Table 3. {SLEEP}<->{ACTIVE} Mode Control

| SLEEP# State   | SLEEP_State_EN bit setting (0x6C[7]) | Selected Operating State |
|--|--------------------------------------|--------------------------|
| <b>When configured active LOW, MPIO3_Invert = Active low</b>   |                                      |                          |
| LOW (1)  | 0                                    | {SLEEP}                  |
| LOW (1)  | 1                                    | {SLEEP}                  |
| HIGH (0)   | 0                                    | {ACTIVE}                 |
| HIGH (0)   | 1                                    | {SLEEP}                  |
| <b>When configured active HIGH, MPIO3_Invert = Active high</b> |                                      |                          |
| HIGH (1)   | 0                                    | {SLEEP}                  |
| HIGH (1)   | 1                                    | {SLEEP}                  |
| LOW (0)  | 0                                    | {ACTIVE}                 |
| LOW (0)  | 1                                    | {SLEEP}                  |

### 9.3.10 WDT\_RST#

Only MPIO4 supports this function. This is a falling edge triggered input signal. When the watchdog timer is enabled, this signal is used to reset it before the timer expires. If the watchdog timer is disabled, this signal is ignored. See [Watchdog Timer](#) for the details.

### 9.3.11 CRST\_IN#

Only MPIO5 supports this function. The CRST\_IN# input is edge triggered and acts as a hardware reset signal. When the MPIO5\_Invert = Active LOW, the signal is asserted on the falling edge of MPIO5. When MPIO5 Invert = Active HIGH, the signal is asserted on the rising edge of MPIO5. The minimum pulse width requirement is 1.5µs (typical) because of internal de-glitching and synchronization to the internal clock. This signal is only valid in {ACTIVE} or {SLEEP}.

When CRST\_IN# is asserted:

- If currently in {SLEEP}, the RAA215300 enters {ACTIVE}. The device does not enter {SLEEP} until the reset cycle has been completed or the related latched fault has been cleared.
- The CRST\_Triggered\_Latched and CRST\_Triggered\_Live fault bits are set. INT# is pulled LOW if not masked.
- The following occurs if the CRST\_Fault\_EN bit = Disabled:
  - The RAA215300 enters {IORESET}. Any MPIOx configured as reset outputs are asserted immediately.
  - When CRST\_IN# is de-asserted by the host, the reset outputs are de-asserted following the configured power-on sequence. The CRST\_Triggered fault bits cannot be cleared until CRST\_IN# is de-asserted.
- The following occurs if the CRST\_Fault\_EN bit = Enabled:
  - Any MPIOx configured as reset outputs are asserted and the output rails are shut down following the power-off sequence configured in the register settings. RAA215300 enters {FAULT\_OUT}.
  - If the latched fault bit is subsequently cleared, the device transitions to {STANDBY}.

*Note:* Assertion of CRST\_IN# is latched until the Sequencer FSM reaches {IORESET}. If CRST\_IN# is asserted in {ACTIVE\_TO\_STANDBY} or {STANDBY\_TO\_ACTIVE}, the FSM can not reach {IORESET} at that time. The next time the FSM reaches {ACTIVE}, it can act on the latched CRST\_IN# assertion, and jumps to {IORESET}.

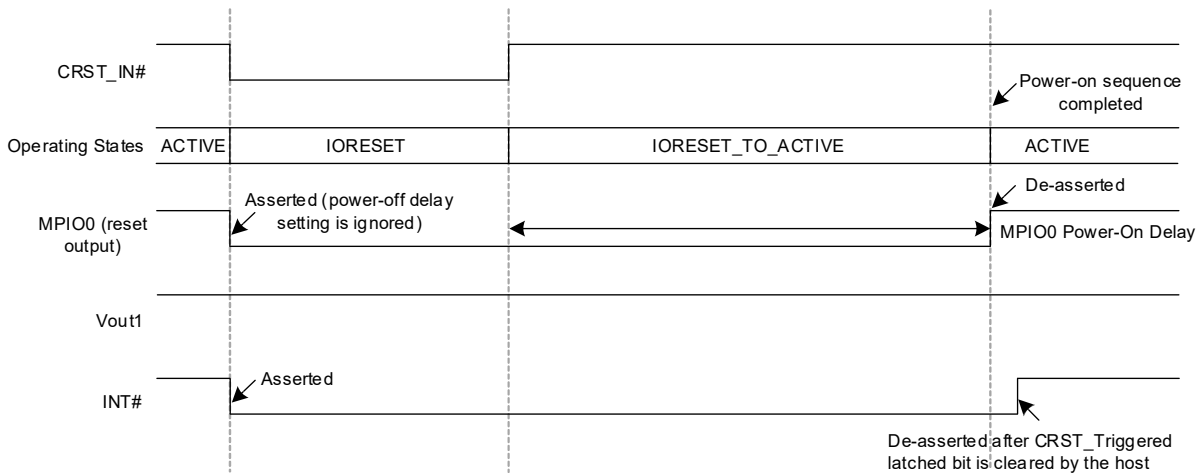


Figure 18. Example of CRST\_IN# Operation - CRST\_FAULT\_EN = Disabled

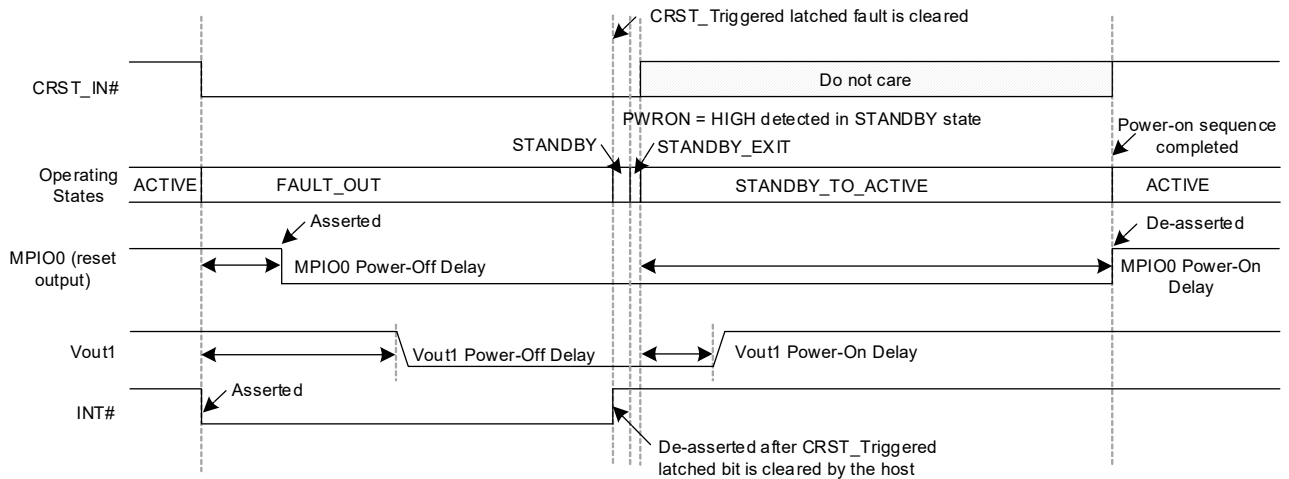


Figure 19. Example of CRST\_IN# Operation - CRST\_FAULT\_EN = Enabled

### 9.3.12 Alternative Decodes for MPIOx functions

When an MPIO is configured as a PGOOD output, 32K\_CLK, or Watchdog Timer Reset (WDT\_RST#), the respective MPIOx Power-On Delay or MPIOx Power-Off Delay register bits settings are changed to a different set of decodes which works for this particular function. In this case, Bits [6:0] in this register are no longer used as power-on or power-off delay. See Table 4 for details.

Table 4. Alternative Decodes for MPIOx Functions

| MPIOx and Configured Function            | Register Bits                             | Alternative Settings for the Register Bits            |
|--|---|---|
| MPIO0 configured as PGOOD output         | MPIO0 Power-On Delay register Bits [3:0]  | Set which regulator is used for PGOOD output at MPIO0 |
| MPIO1 configured as PGOOD output         | MPIO1 Power-On Delay register Bits [3:0]  | Set which regulator is used for PGOOD output at MPIO1 |
| MPIO2 configured as PGOOD output         | MPIO2 Power-On Delay register Bits [3:0]  | Set which regulator is used for PGOOD output at MPIO2 |
| MPIO2 configured as 32K_CLK              | MPIO2 Power-Off Delay register Bits [2:0] | Set frequency for the 32K_CLK signal                  |
| MPIO3 configured as PGOOD output         | MPIO3 Power-On Delay register Bits [3:0]  | Set which regulator is used for PGOOD output at MPIO3 |
| MPIO4 configured as PGOOD output         | MPIO4 Power-On Delay register Bits [3:0]  | Set which regulator is used for PGOOD output at MPIO4 |
| MPIO4 configured as Watchdog Timer Reset | MPIO4 Power-Off Delay register Bits [3:0] | Set timeout period for the WDT                        |
| MPIO5 configured as PGOOD output         | MPIO5 Power-On Delay register Bits [3:0]  | Set which regulator is used for PGOOD output at MPIO5 |

## 9.4 Watchdog Timer

The WDT starts when the device reaches {STANDBY\_TO\_ACTIVE}, and is disabled again when the device reaches {STANDBY}. The function can be enabled/disabled in EEPROM.

The WDT feature can be used to detect a system boot-up failure. The function of MPIO4 must be set to WDT\_RST# and the WD\_EN bit must be set to 1 to enable this feature. MPIO4 Power-Off register Bits [3:0] are used to set the timeout period when MPIO4 is set to WDT\_RST#. Register bits WD\_PD\_EN and WD\_RST\_EN are used to set the device behavior when the WDT feature is enabled.

The WDT\_RST# input must be asserted by the host to reset the timer before it expires. If the watchdog timer expires, the RAA215300 takes the following steps:

1. If currently in {SLEEP}, the RAA215300 enters {ACTIVE} through {SLEEP\_TO\_ACTIVE}.
  2. The WDT\_Error\_Latched and WDT\_Error\_Live fault bits are set. INT# is pulled LOW if not masked.
  3. The following occurs if the WD\_RST\_EN bit = Enabled, WD\_PD\_EN bit = Disabled:
    - a. Any MPIOx configured as reset outputs are asserted immediately. The reset outputs are then de-asserted automatically following the power-on sequence.
    - b. The WDT stops counting when the WDT\_Error fault bits are set. It does not start counting until WDT\_RST# is asserted by the host. The WDT\_Error fault can only be cleared by writing 1 after WDT\_RST# is asserted and before the WDT expires again, or after PWRON is de-asserted.
  4. The following occurs if the WD\_PD\_EN bit = Enabled:
    - a. Any MPIOx configured as reset outputs are asserted and the output rails are shut down following the power-off sequence configured in the register settings.
    - b. The WDT stops counting when the WDT\_Error fault bits are set. It does not start counting until the WDT\_Error bit is subsequently cleared by writing 1. The WDT\_Error fault cannot be cleared until the power-off sequence finishes and the device enters {FAULT\_OUT}. When the fault is cleared, the WDT starts counting (restarts power-on sequence).
- Note:* If both WD\_PD\_EN and WD\_RST\_EN are set to be enabled, the WD\_PD\_EN bit has higher priority and WD\_RST\_EN is ignored.

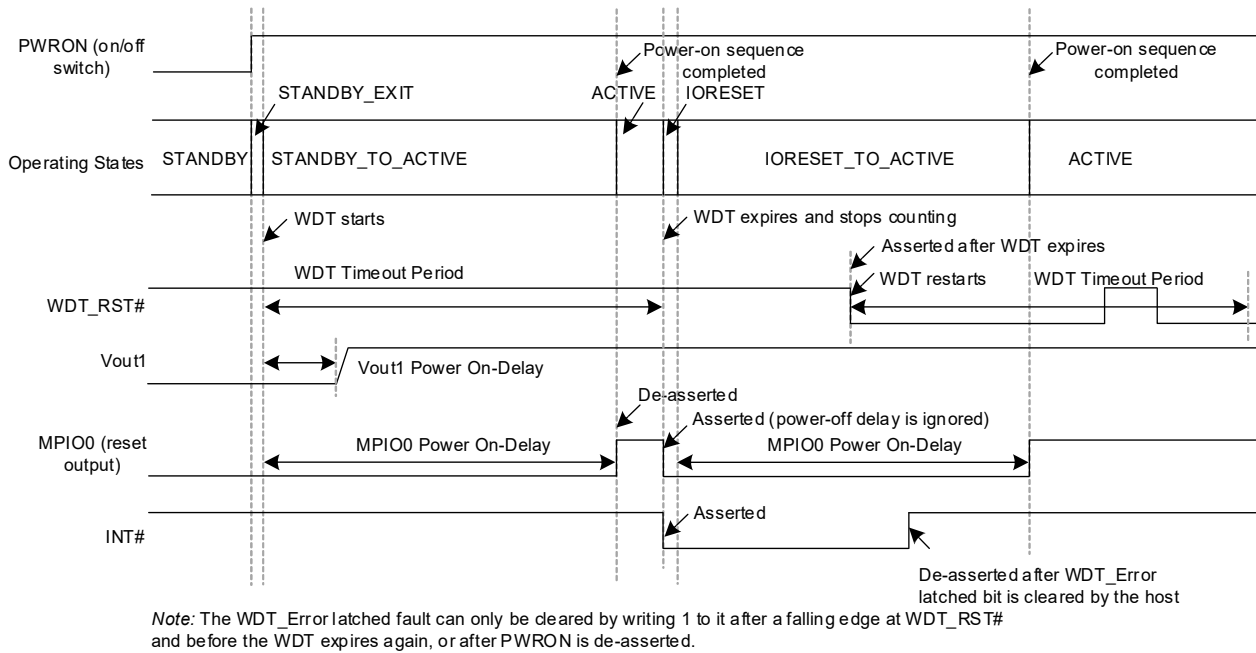


Figure 20. Example of WDT\_RST# Operation - WD\_RST\_EN bit = Enabled, WD\_PD\_EN bit = Disabled

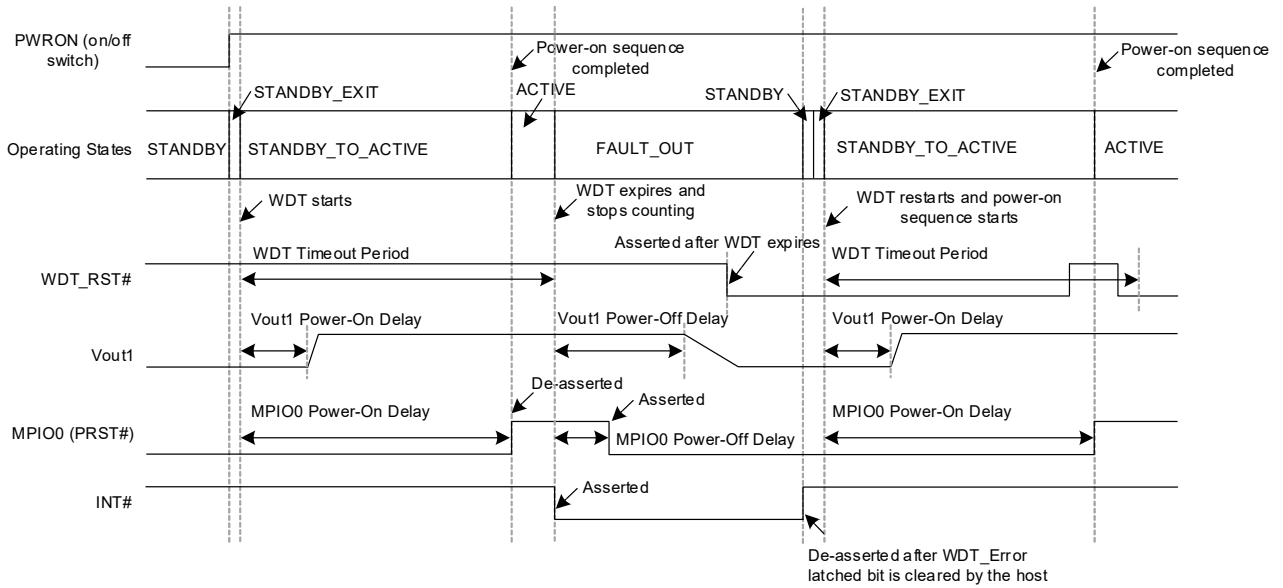


Figure 21. Example of WDT\_RST# Operation - WD\_PD\_EN bit = Enabled

## 9.5 Power Sequencing

The power sequencing starts when PWRON is asserted in {STANDBY} and the device transitions to {ACTIVE}. The RAA215300 regulators and MPIOx power-on delays are configured in the EEPROM.

The output voltage of each rail is monitored after it completes soft-start. If there is an undervoltage or overvoltage condition detected, the PGOOD output (if any MPIO is configured to this function) is de-asserted and the device enters {FAULT\_OUT} (if these faults are configured to shut down the device).

### 9.5.1 Power-ON

The power-on delays for all rails are independently programmable from 0 to 127ms, with a 1ms step. All timing is based on entry to {ACTIVE}.

Each rail has a programmable startup slew rate.

### 9.5.2 Power-OFF

The power-off delays for all rails are independently programmable from 0 to 127ms, with a 1ms step. All timing is based on entry to {ACTIVE}.

Each rail has a programmable shutdown slew rate.

#### 9.5.2.1 I<sup>2</sup>C Trigger Power-Off

The device includes a feature to trigger sequenced power-off operations triggered by an I<sup>2</sup>C command. Triggering requires sending a specific 8-bit key to the I2C\_Trigger\_Power\_Off\_Key bits.

This function is intended for use when the device is configured in long-push button mode, see [PWRON](#).

The following are examples of power-on and power-off sequences in various configurations.

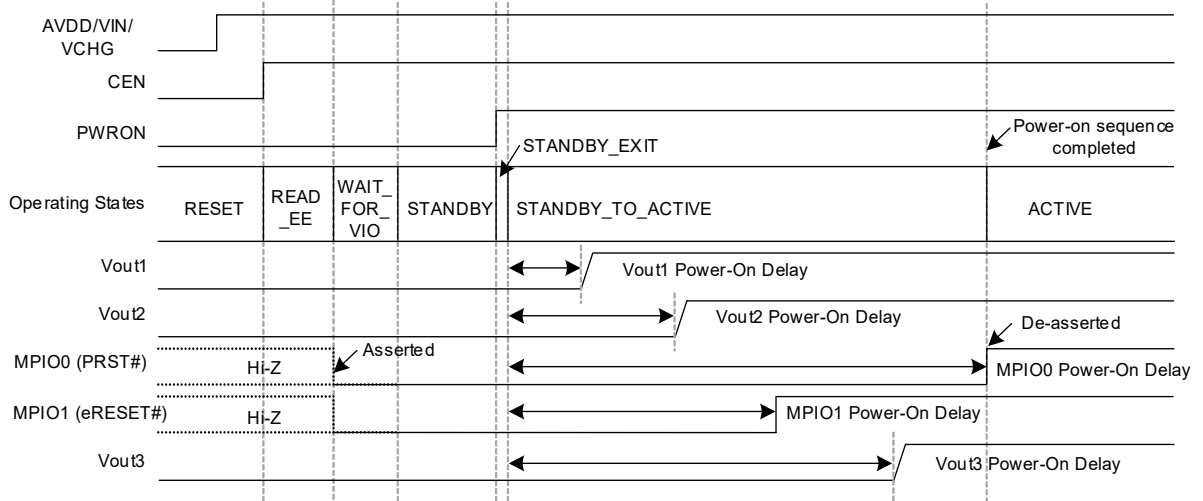


Figure 22. Typical Power-On Example - PWRON as On/Off Switch

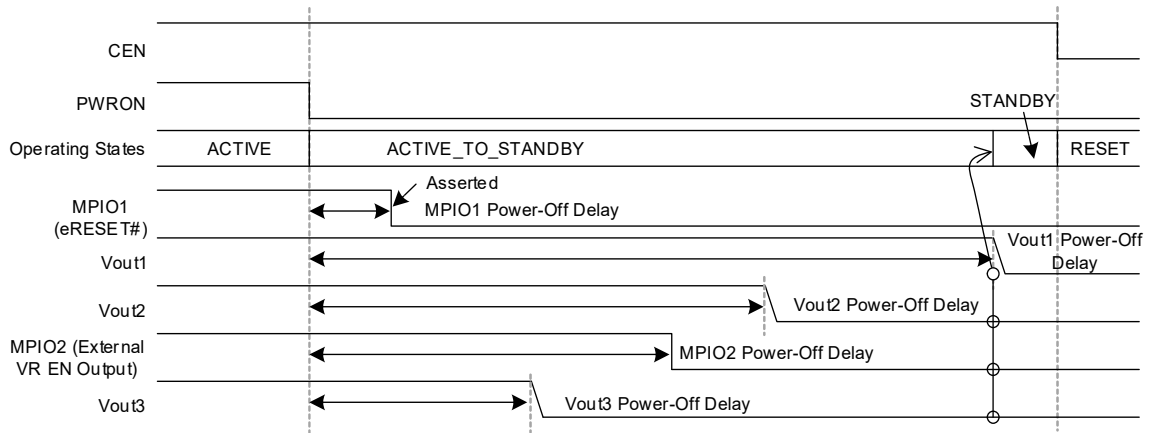


Figure 23. Typical Power-Off Example - PWRON as On/Off Switch

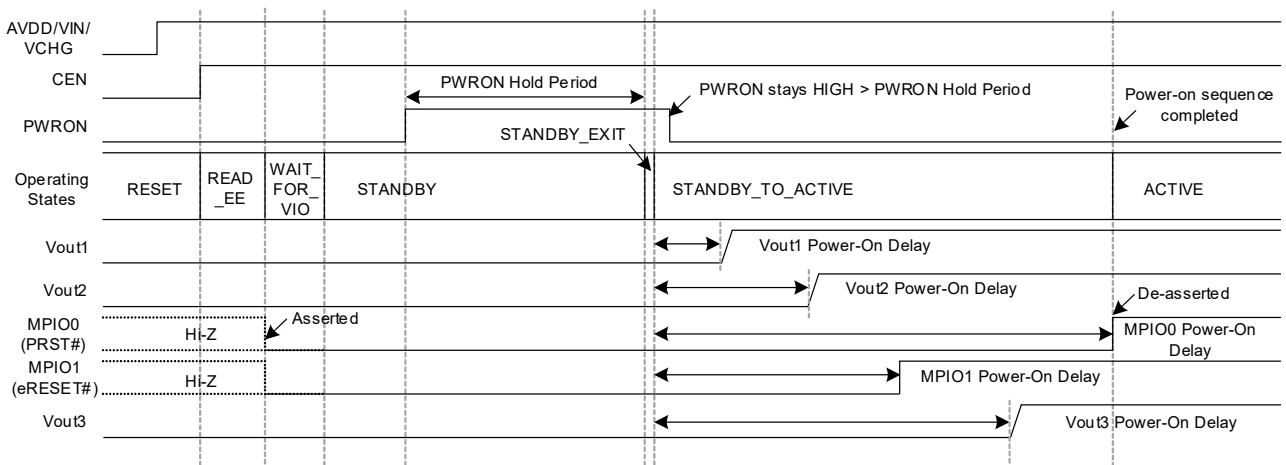


Figure 24. Typical Power-On Example - PWRON as Long Push Button

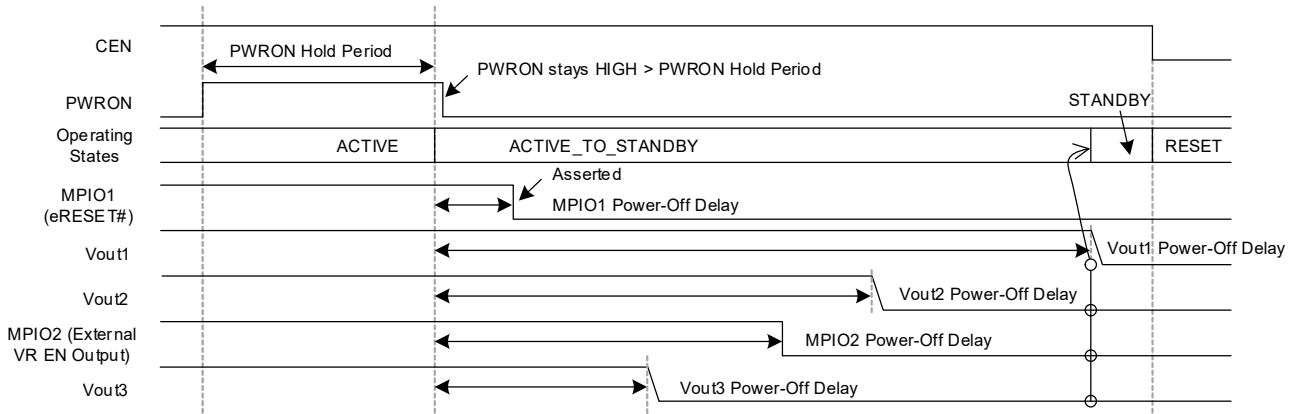


Figure 25. Typical Power-Off Example - PWRON as Long Push Button

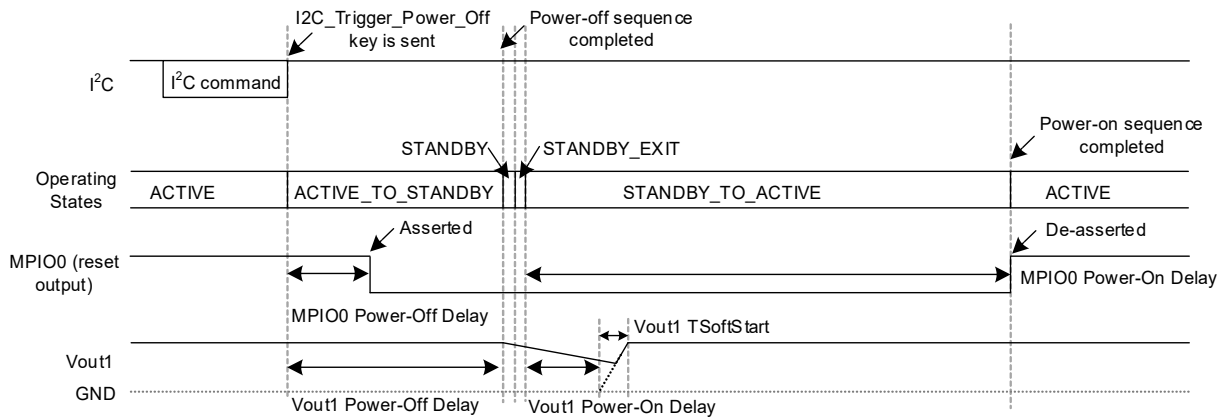


Figure 26. I2C Triggered Power-Off - PWRON = HIGH. PWRON as On/Off Switch, Active HIGH

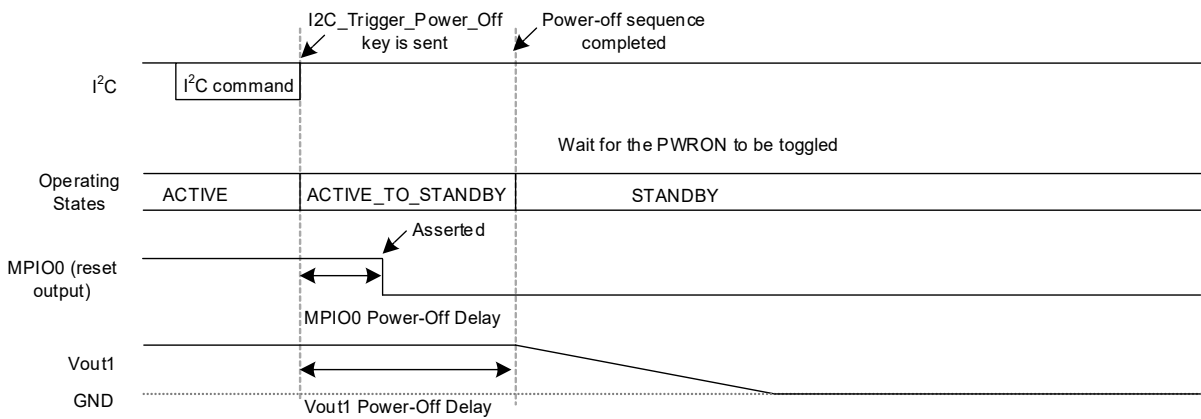


Figure 27. I2C Triggered Power-Off - PWRON = LOW. PWRON as Long Push Button, Active HIGH



## 9.6 Warm and Cold Reset

The RAA215300 features two types of software-controlled reset functions for controlling the application system (warm reset and cold reset). These resets can be separately triggered by setting the related volatile register bit to 1. Warm and cold reset bits should not be set simultaneously. When the selected reset operation is completed, the bit is automatically cleared to 0 in the volatile register.

The warm reset register bit is used to generate a system reset only. It does not recycle the RAA215300 output power rails. When triggered, the MPIO configured as reset outputs are asserted immediately. The reset signals are then de-asserted following the power-on timing set in their respective MPIOx Power-On Delay register. The LDO\_SELx status may be changed because of the processor being reset, and the device responds accordingly.

The cold reset register bit generates a system reset and recycles the output power rails. When triggered, the MPIO configured as reset outputs are asserted following their power-off delay settings, and the output rails power down following their programmed sequence settings. When power-down completes, the FSM enters {STANDBY}. After a programmable delay set by the Cold Reset Delay register bits, the output rails are restarted based on their programmed sequence settings. The reset signals are then de-asserted following the power-on timing set in the respective MPIOx Power-On Delay register.

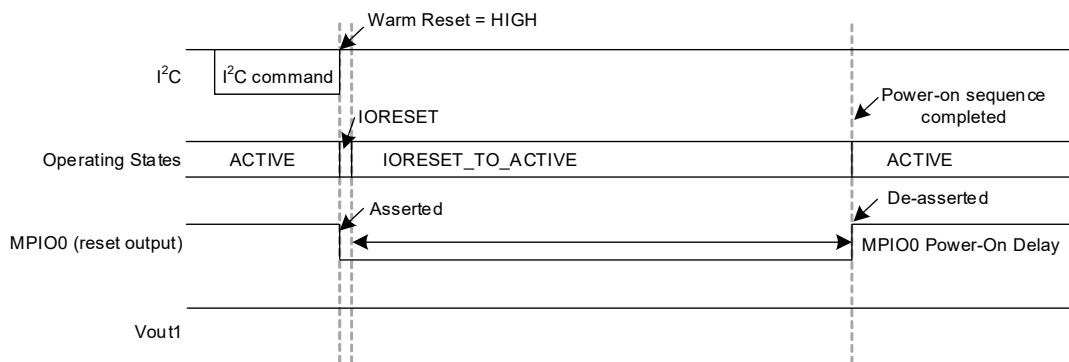


Figure 28. Warm Reset Operation

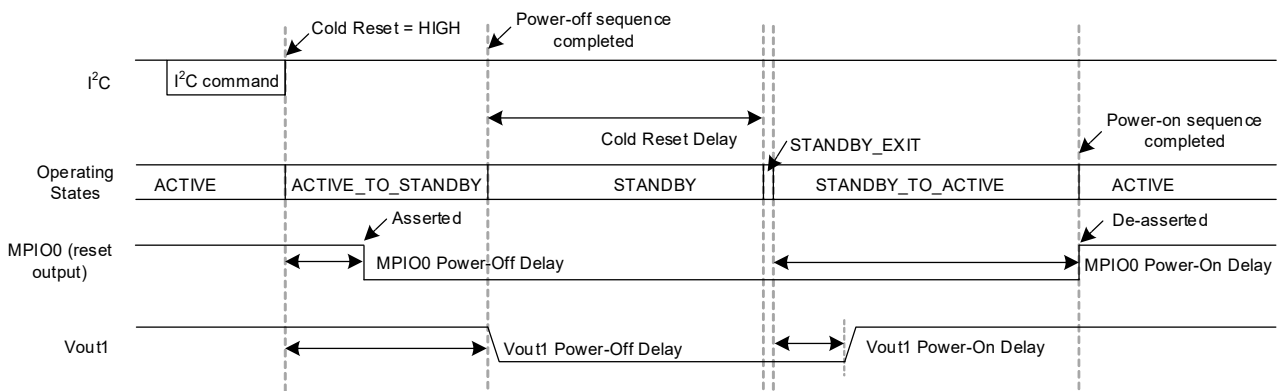


Figure 29. Cold Reset Operation

## 9.7 Output Discharge

There are four programmable options for the discharge of the buck rails:

- Set the regulator into Forced PWM (FPWM) mode and ramp down the reference following the programmed slew rate.
- Set the regulator into PFM/PWM mode and ramp down the reference following the programmed slew rate.
- Discharge the output rails using programmable discharge resistors. This option disables the regulator, turns the discharge switch on, and ramps down the reference following the programmed slew rate.
- Discharge the output rails using programmable discharge resistors. This option disables the regulator and turns the discharge switch on without ramping down the reference first - providing a simple RC discharge rate.

There are two programmable options for the discharge of the LDO rails:

- Discharge the output rails using programmable discharge resistors. This option disables the regulator, turns the discharge switch on, and ramps down the reference following the programmed slew rate.
- Discharge the output rails using programmable discharge resistors. This option disables the regulator and turns on the discharge switch without ramping down the reference first - providing a simple RC discharge rate.

During startup, there is no active discharge. Discharge functionality is disabled until after the state machine reaches {ACTIVE} or {ACTIVE\_TO\_STANDBY}. Active discharge is disabled in {RESET}.

*Note:* In VTT mode, check that the DDR manufacturer’s recommendations are achieved during the discharge of VDDQ (typically Buck2) and VTT (Buck6).

## 9.8 DVS

The RAA215300 employs dynamic voltage scaling (DVS) to optimize power and efficiency in the system. The DVS features programmable DVS ramp-up/down slew rates for each rail that are applied when the output voltage(s) are changed. The common usage is to change the output voltages between {ACTIVE} and {SLEEP}. Exiting {SLEEP} often occurs to handle a real-time request; therefore, a fast slew rate is often required.

DVS is also used when changing the output voltage during {ACTIVE}. When the new output voltage is written into the register, the DVS block slews the output voltage to the new target based on the programmed rate.

Figure 30 illustrates the DVS between {ACTIVE} <-> {SLEEP} state transitions with delays.

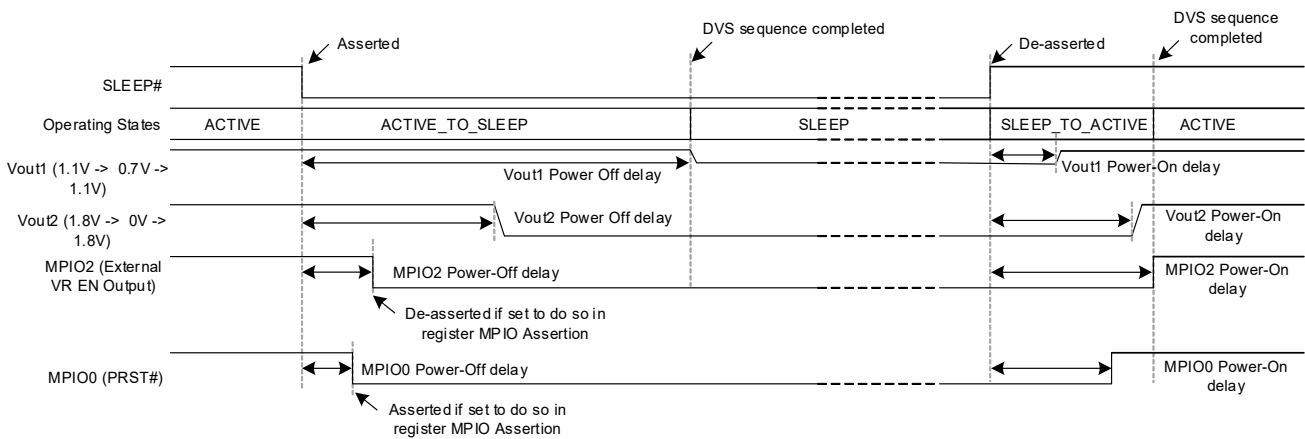


Figure 30. {ACTIVE} <-> {SLEEP} DVS Transition Example

*Note:* Not all DVS rate setting options (primarily the faster rate options) for the buck and LDO rails may be attainable in certain application configurations and conditions. DVS settings program a target for the rate of change of output voltage. The maximum rate of increase for the output voltage is limited by current limit, load current, and load capacitance. The maximum rate of decrease for the output voltage is limited by load current and

load capacitance. The maximum and minimum rates of increase and decrease in the output voltage can be less than the DVS setting.

## 9.9 Real-Time Clock

### 9.9.1 Clock

The RTC is a low-power real-time clock with timing and crystal compensation, clock/calendar, power fail indicator, periodic or polled alarm, intelligent battery backup switching, and battery-backed user SRAM. The oscillator uses either an external, low-cost 32.768kHz crystal or an external clock IC. The real-time clock tracks time with separate registers for hours, minutes, and seconds. The clock format can be set to either AM/PM or 24-hour. There are calendar registers for the date, month, year, and day of the week. The calendar is accurate until 2099.

The RTC clock/calendar portion is fully operational from 1.8V to 5.5V. See [VCHG](#), [VBAT](#), and [VRTC](#) for more details.

The accuracy of the real-time clock depends on the external 32.768KHz crystal or clock IC. The RAA215300 provides on-chip crystal compensation networks to adjust load capacitance to tune the crystal oscillator frequency. See [Oscillator Frequency Accuracy](#) for details.

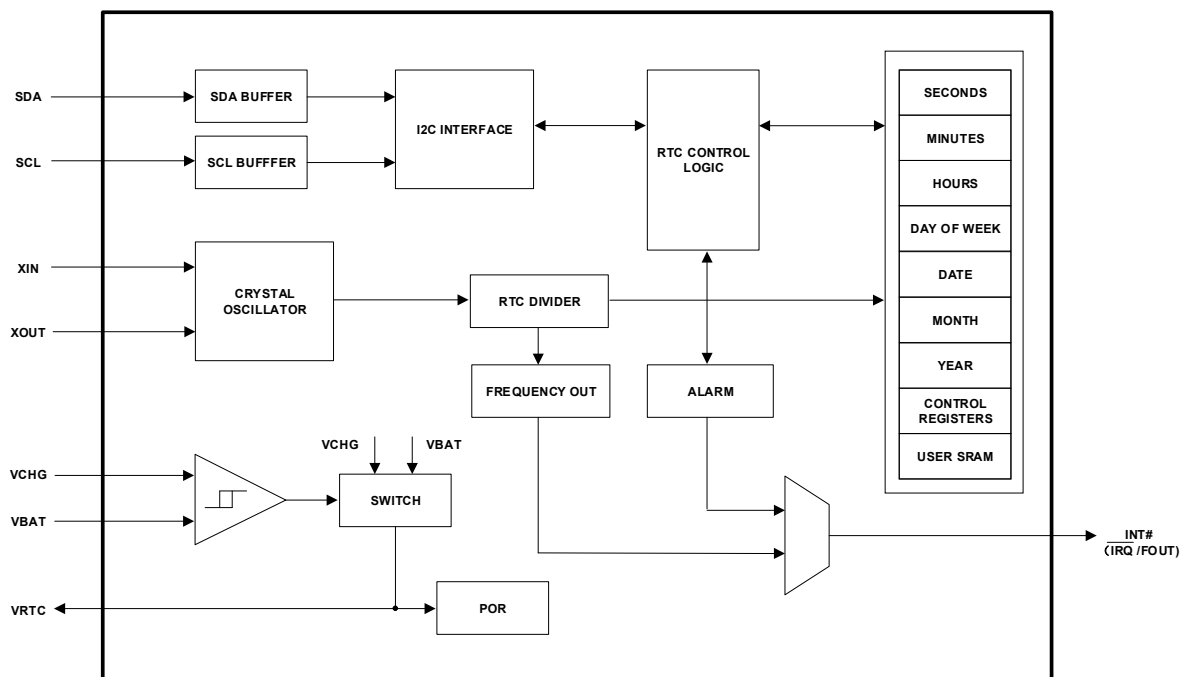


Figure 31. RTC Block Diagram

*Note:* To activate the RTC, the host must first set the RTC EN bit = 1 and the WRTC bit = 1. If using an external crystal, the XTOSCB bit must be set at 0 to enable the crystal oscillator. If using an external clock signal, set the XTOSCB bit as 1 to disable the crystal oscillator. Then, the date and time registers can be set accordingly, and the RTC is clocking and maintaining time. The clock does not increment until at least 1 byte is written to the clock/calendar registers.

INT# is a multi-functional output that can issue an interrupt or frequency signal. The function is selected by frequency out (FO) control bits. In interrupt mode, if an alarm condition occurs, the Interrupt Request (IRQ) is sent to the host processor. In Frequency Output (FOUT) mode, the output is a clock signal at a frequency generated from the crystal frequency.

The I<sup>2</sup>C interface is not functional if VIO\_PGGOOD is low. See [VCHG](#), [VBAT](#), and [VRTC](#) for more details.

### 9.9.2 Alarm

The flexible alarm of the RTC can be set to any clock/calendar value for a match. For example, every minute, every Tuesday, or at 5:23 AM on March 21. The alarm status is available by checking the Status Register, or the device can be configured to provide a hardware interrupt using INT#. A backup power input (VBAT) allows the device to be powered by a battery or supercapacitor with an automatic switchover between VCHG and VBAT.

The alarm compares the alarm registers with the RTC registers. As the RTC advances, the alarm is triggered when a match occurs. The alarm is enabled by the ALME bit. There are two alarm modes: single-event mode and periodic interrupt mode.

Single-event mode is enabled by setting the ALME bit to 1, the IM bit to 0, and the FO[3:0] bits to 0000. This mode detects a one-time match between the alarm registers and RTC registers. When this match occurs, the interrupt request ( $\overline{\text{IRQ}}$ ) is sent to the host processor. The ALM bit is set to 1, and the INT# output is pulled low and remains low until the ALM bit is reset.

The periodic interrupt mode allows for repetitive or recurring alarm functionality. This mode is enabled by setting the ALME bit to 1, the IM bit to 1, and the FO[3:0] bits to 0000. There is an alarm each time there is a match of the alarm time and present time. Therefore, there is an alarm as often as every minute (if only the nth second is set) or as infrequently as once a year (if at least the nth month is set). During Periodic Interrupt Mode, INT# is pulled low for 250ms, and the alarm status bit (ALM) is set to 1.

*Note:* The ALM bit can be reset by writing 0 to it or cleared by a valid read operation in the auto reset mode. The alarm function can be enabled/disabled during battery backup mode using the FOBATB bit.

The INT# output is updated every 250ms (typical) when used as the IRQ output. The INT# output is pulled low 250ms after the alarm is triggered. After the INT# output is pulled low, it is low for at least 250ms, even if the correct action is taken to clear it. It is impossible to clear ALM if it is still active. The host must wait for the RTC to progress past the alarm time plus the 250ms delay before clearing ALM. Alternatively, the host may set ALME = 0 before clearing ALM. There is an internal delay (typically around 250μs) from setting ALME = 0 to disabling the alarm function, so the user must add a short delay of greater than 250μs between setting ALME = 0 and clearing ALM. Therefore, the host must wait for 250ms plus the short delay to detect the release of INT# after INT# is pulled low.

### 9.9.3 Frequency Output

A clock signal related to the oscillator frequency can output from INT# or MPIO2.

FOUT from INT# is enabled by setting FO[3:0] bits to a non-zero value. The frequency is selected using the I<sup>2</sup>C bus. See [Table 5](#).

**Table 5. Frequency Selection of FOUT at INT#**

| FO3 | FO2 | FO1 | FO0 | FOUT from INT# (Hz) |
|-----|-----|-----|-----|---------------------|
| 0   | 0   | 0   | 0   | 0                   |
| 0   | 0   | 0   | 1   | 32768               |
| 0   | 0   | 1   | 0   | 4096                |
| 0   | 0   | 1   | 1   | 1024                |
| 0   | 1   | 0   | 0   | 64                  |
| 0   | 1   | 0   | 1   | 32                  |
| 0   | 1   | 1   | 0   | 16                  |
| 0   | 1   | 1   | 1   | 8                   |
| 1   | 0   | 0   | 0   | 4                   |
| 1   | 0   | 0   | 1   | 2                   |
| 1   | 0   | 1   | 0   | 1                   |

**Table 5. Frequency Selection of FOUT at INT#**

| FO3 | FO2 | FO1 | FO0 | FOUT from INT# (Hz) |
|-----|-----|-----|-----|---------------------|
| 1   | 0   | 1   | 1   | 1/2                 |
| 1   | 1   | 0   | 0   | 1/4                 |
| 1   | 1   | 0   | 1   | 1/8                 |
| 1   | 1   | 1   | 0   | 1/16                |
| 1   | 1   | 1   | 1   | 1/32                |

If enabled, a clock signal is outputted from MPIO2(see [Table 6](#)). For detailed information about MPIO2 frequency output, see [32kHz Clock \(32K\\_CLK\)](#).

**Table 6. Frequency Selection of Clock Signal at MPIO2**

| MPIO2 Power-Off Delay[2:0] | MPIO2 (Hz) - MPIO2 configured as 32K_CLK |
|----------------------------|--|
| 000                        | 32768                                    |
| 001                        | 16384                                    |
| 010                        | 8192                                     |
| 011                        | 4096                                     |
| 100                        | 2048                                     |
| 101                        | 1024                                     |
| 110                        | 512                                      |
| 111                        | 256                                      |

### 9.9.4 General Purpose User SRAM

The RTC has 2 bytes of user SRAM, which continue to operate in battery backup mode. However, the I<sup>2</sup>C bus is disabled if VCHG falls below the AVDD UVLO falling threshold.

### 9.9.5 Power Control Operation

There are two power supply inputs for the RTC circuit (VCHG and VBAT). The RAA215300 contains internal circuitry to automatically switch over to the backup battery when the main VCHG supply fails and switches back from the battery to VCHG when the main supply recovers. See [VCHG](#), [VBAT](#), and [VRTC](#) for details.

### 9.9.6 Power Failure Detection

The RAA215300 has a Real-Time Clock Failure (RTCF) bit to indicate total power failure. The RTCF bit is read-only and is set to 1 if the RTC has powered up after the failure of both VCHG and VBAT.

The bit is set regardless of whether VCHG or VBAT is applied first. At power-up after a total power failure, all registers are set to their default states, and the clock does not increment until at least 1 byte is written to the clock register. The first valid write to the RTC section resets the RTCF bit to 0.

### 9.9.7 Crystal Oscillator

A crystal can be used to generate the 32.768kHz clock and provide the time base for the RTC.

#### 9.9.7.1 Oscillator Frequency Accuracy

The oscillator frequency accuracy primarily depends on the crystal accuracy and the match between the crystal and the load capacitance. If the load capacitance is too small or too large, the oscillator is too fast or too slow, respectively. RAA215300 provides an oscillator frequency adjustment mechanism that includes analog

compensation in the RTC ATR register and digital compensation in the RTC DTR register. The combination of analog and digital trimming can give a maximum range of adjustment of -80ppm to +130ppm.

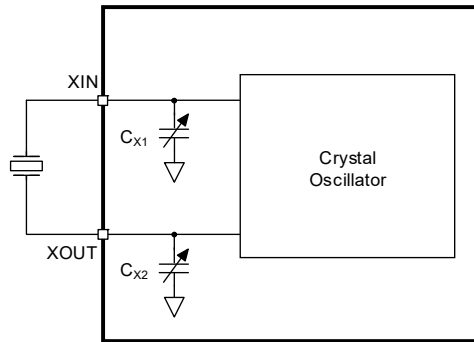
*Note:* Both of the frequency outputs on INT# and MPIO2 are affected by the setting in the RTC ATR register. The frequency on INT# is affected by the RTC DTR setting at all frequencies except the 32.768kHz setting. The frequency on MPIO2 is not affected by the RTC DTR setting.

**9.9.7.2 Crystal Oscillator Frequency Trimming**

The RAA215300 provides the option of timing correction of the crystal oscillator. Analog and digital compensation mechanisms are available as follows.

**9.9.7.2.1 Analog Trimming with On-Chip Load Capacitance**

The analog trimming register bits (ATR[5:0]) are used to trim oscillator frequency by selecting on-chip load capacitance. There are six bits for ATR, and the selectable range is from 4.5pF to 20.25pF. The available trim range of the oscillator frequency accuracy in ppm varies with crystals, operating temperature, and the stray capacitance of the PCB. As an example, the available PPM range for an ECX-.327-CDX-1293 crystal is -20ppm to 70ppm measured on the device evaluation board at 25°C.



**Figure 32. Diagram of On-Chip Load Capacitance**

The on-chip load capacitance ( $C_{LOAD}$ ) is the series combination of  $C_{X1}$  and  $C_{X2}$  shown in Figure 32.  $C_{X1}$  and  $C_{X2}$  range from 9pF to 40.5pF. The values of  $C_{X1}$  and  $C_{X2}$  are given in Equation 3:

**(EQ. 3)**  $C_X = (16 \cdot \bar{b5} + 8 \cdot b4 + 4 \cdot b3 + 2 \cdot b2 + 1 \cdot b1 + 0.5 \cdot b0 + 9) \text{pF}$

The series load capacitance ( $C_{LOAD}$ ) is derived by Equation 4:

**(EQ. 4)**  $C_{LOAD} = \frac{1}{\left(\frac{1}{C_{X1}} + \frac{1}{C_{X2}}\right)}$   
 $C_{LOAD} = \left(\frac{16 \cdot \bar{b5} + 8 \cdot b4 + 4 \cdot b3 + 2 \cdot b2 + 1 \cdot b1 + 0.5 \cdot b0 + 9}{2}\right) \text{pF}$

For example,  $C_{LOAD} = 12.5\text{pF}$  when  $ATR[5:0] = 000000$ ,  $C_{LOAD} = 4.5\text{pF}$  when  $ATR[5:0] = 100000$ , and  $C_{LOAD} = 20.25\text{pF}$  when  $ATR[5:0] = 011111$ .

**9.9.7.2.2 Battery Backup Mode Analog Trimming**

The crystal oscillator frequency accuracy can change when the RTC is supplied by different power sources (VCHG or VBAT). The on-chip load capacitance offset between VCHG mode (VRTC supplied by VCHG) and battery backup mode (VRTC supplied by VBAT) is adjustable by BMATR[1:0]. The available range is from -0.5pF to 1pF.

**9.9.7.2.3 Digital Trimming**

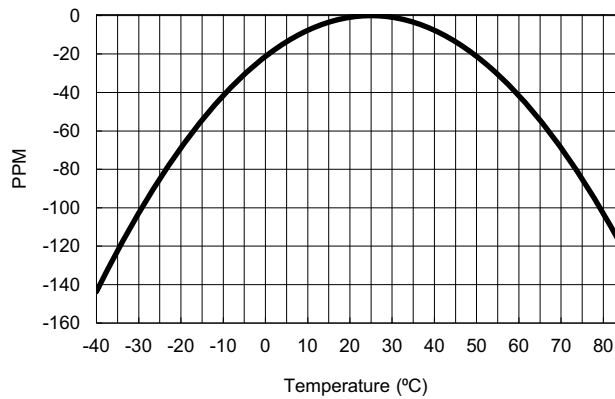
The oscillator frequency is also affected by the digital trimming bits DTR[2:0] in the RTC DTR register. The DTR trim setting modifies the divider stage in the RTC digital block. The available trim range is from -60ppm to +60ppm. It is used for coarse adjustments of frequency drift over temperature or extending the adjustment range provided by the ATR settings.

**9.9.7.2.4 Crystal Oscillator Frequency Adjustment**

The Initial accuracy of the crystal oscillator can be adjusted by enabling the frequency output on INT# and monitoring it with a calibrated frequency counter. The gating time on the counter should be set long enough to ensure the accuracy of the reading. The ATR[5:0] bits can be set to 000000, to begin with. After the initial measurement is made, the RTC ATR register can be changed to tune the frequency. If the initial measurement shows the frequency is far off, then the DTR[2:0] can be used to do a coarse adjustment. Most crystal oscillators have tight enough accuracy at room temperature that the RTC ATR register adjustment should be all that is required.

**9.9.7.3 Temperature Compensation**

The external crystal temperature drift is progressively worse as the crystal temperature deviates from +25°C. [Figure 33](#) shows an example of temperature drift characteristics. There is a turnover temperature (T0) where the drift is near zero. The shape is parabolic because it varies with the square of the difference between the actual temperature and the turnover temperature.



**Figure 33. RTC Crystal Temperature Drift Example**

A possible system to implement temperature compensation would consist of the RAA215300, a temperature sensor, and a microcontroller. These devices may already be in the system, so the function could just be a matter of implementing software and performing some calculations. Fairly accurate temperature compensation can be implemented just by using the crystal specifications for the turnover temperature T0 and the drift coefficient (β). [Equation 5](#) is used to calculate the oscillator adjustment necessary,

**(EQ. 5)**      $Adjustment(ppm) = (T - T_0)^2 * \beta$

When the temperature curve for a crystal is established, the designer should decide at what discrete temperatures the compensation changes.

A sample curve of the ATR[5:0] setting vs Frequency Adjustment for the RAA215300 and a typical RTC crystal is given in [Figure 34](#). This curve may vary with different crystals and PCBs, so it is good practice to evaluate a given crystal in the RAA215300 circuit before establishing the adjustment values. The curve is then used to determine ATR[5:0] and DTR[2:0] settings. The results could be placed in a lookup table for the micro-controller to access.

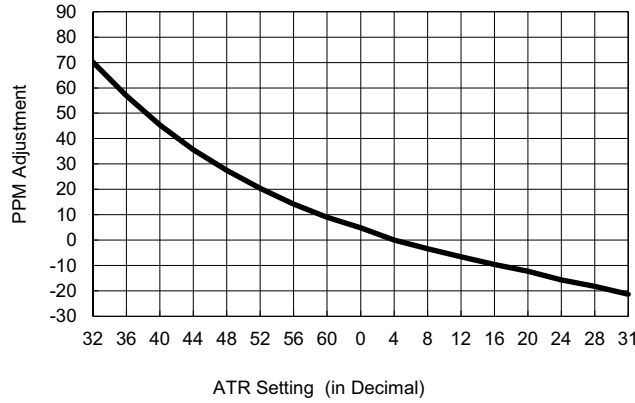


Figure 34. ATR Setting Vs. Crystal Oscillator Frequency Adjustment

### 9.9.8 Using an External Clock

The RTC can use either a standard 32.768kHz crystal or an external clock. VBAT must be valid when using an external clock. XIN can be programmed for connection to an external clock input using the XTOSCB bit in the RTC SR register. When this bit is set to 1, the oscillator is disabled and XIN is a CMOS-compatible clock input.

The external clock input must be logic level CMOS (0.3 x VBAT LOW, 0.7 x VBAT HIGH), square wave preferred, frequency = 32.768KHz. The clock voltage must not exceed VBAT.

To check if the external clock is working properly, the following methods can be used to check the RTC function:

- Poll the time register to make sure the seconds are advancing at the correct rate.
- Enable the frequency on INT# or MPIO2: Clock and monitor the frequency for the correct value.

### 9.9.9 Real-Time Clock Registers

#### 9.9.9.1 Clock and Calendar Registers [Address 0x00 to 0x06]

Time is set in BCD format by the following registers:

- RTC SC and RTC MN registers: Sets seconds and minutes that range from 0 to 59.
- RTC HR register: Sets hour that ranges from 0 to 23 or 1 to 12.
- RTC DT register: Sets date that ranges from 1 to 31.
- RTC MO register: Sets month that ranges from 1 to 12.
- RTC YR register: Sets year that ranges from 0 to 99.
- RTC DW register: Sets day of the week that ranges from 0 to 6.

See [Register Map Detail](#) for bits decoding.

A 12-hour or 24-hour format can be set by the MIL bit. If it is set to 1, the RTC uses a 24-hour format. If it is set to 0, the RTC uses a 12-hour format. In this case, the HR21 bit functions as an AM/PM indicator with 0 representing AM and 1 representing PM. The clock defaults to a 12-hour format time with HR21 = 0.



Note: To maintain correct month and date registers, the host must force the RTC MO and RTC DT registers to the correct values in specific years, as shown in Table 7.

Table 7. Actions Required by the Host in Specific Years

| Year   | Action Required by the Host   |
|--|---|
| 00/04/08/20/24/28/40/44/48/60/64/68/80/84/88 | Force the RTC MO register to 00011 (March) after 11:59:59pm on February 29  |
| 10/14/18/30/34/38/50/54/58/70/74/78/90/94/98 | Force the RTC MO register to 00011 (March) and RTC DT register to 000001 (date 01) after 11:59:59pm on February 28    |
| 12/16/32/36/52/56/72/76/92/96                | Force the RTC MO register to 00010 (February) and RTC DT register to 101001 (date 29) after 11:59:59pm on February 28 |

**9.9.9.2 Control and Status Registers [Address 0x07 to 0x0B]**

**9.9.9.2.1 RTC Status Register (RTC SR)**

This is a volatile register that sets RTC functions and reports status. The following sections detail each bit.

**Real-Time Clock Fail Bit (RTCF)**

This read-only bit is set to 1 by the device after a power failure where both VCHG and VBAT lose power. After a power failure, all registers are set to their default states when the device powers up again. The host must reactivate the RTC. The first valid write operation to the RTC registers after a power failure resets the RTCF bit to 0.

**Battery Bit (BAT)**

This bit is set to 1 by the device when the RTC enters battery backup mode. When VCHG is valid again, this bit can be reset either by the host (by writing 0 to it) or automatically reset if ARST = 1.

**Alarm Bit (ALM)**

This bit is set to 1 if the alarm matches the real-time clock. It can be reset to 0 by the host (by writing 0 to it) or automatically reset if ARST = 1. Writing 1 to this bit is not accepted.

If the ALM bit is set during an RTC SR register reading operation, it remains set after the reading operation is complete.

**Write RTC Enable Bit (WRTC)**

The WRTC bit enables or disables writing capability into the RTC clock and calendar registers. The factory default setting of this bit is 0. On initialization or power-up, the WRTC bit must be set to 1 to enable the RTC. At the completion of a valid write command (STOP), the RTC starts to count. The RTC internal 1Hz signal is synchronized to the STOP condition during a valid write cycle.

**Crystal Oscillator Enable Bit (XTOSCB)**

This bit enables/disables the internal crystal oscillator. When XTOSCB is set to 1, the oscillator is disabled, and XIN allows for an external 32.768kHz clock signal to drive the RTC. The XTOSCB bit is set to 0 on power-up.

**Auto Reset Enable Bit (ARST)**

This bit enables/disables the automatic reset of the BAT and ALM status bits only. When the ARST bit is set to 1, these status bits are automatically reset to 0 after a valid read operation of the respective status register (with a valid STOP condition). When ARST is set to 0, the host must reset the BAT and ALM bits.

**9.9.9.2.2 RTC Interrupt Control Register (RTC INT)**

This register can be used to control the frequency output and alarm function.

### Frequency Out Control Bits (FO[3:0])

These bits enable/disable the Frequency Output function (FOUT) and select the output frequency at INT#. The selectable frequency is listed in [Table 5](#). When the frequency mode is enabled, it overrides the alarm mode at INT#.

### Frequency Output and Interrupt Bit (FOBATB)

This bit enables/disables the  $\overline{\text{IRQ}}$ /FOUT function during battery backup mode (that is, VBAT power source active). When FOBATB is set to 0, both the Frequency Output and alarm output functions are disabled. When FOBATB is set to 1, the  $\overline{\text{IRQ}}$ /FOUT function is enabled during battery backup mode.

### Oscillator Bias Current Control Bit (LPMODE)

With LPMODE = 0, the device works with a normal oscillator bias current. With LPMODE = 1, the device works with a reduced oscillator bias current. Renesas does not recommend setting this bit to 1.

### Alarm Enable Bit (ALME)

This bit enables/disables the alarm function. When the ALME bit is set to 1, the alarm function is enabled. When ALME is set to 0, the alarm function is disabled. The alarm function can operate in either single-event mode or periodic interrupt mode. See [Alarm](#) for more details.

*Note:* When the frequency output mode is enabled, the alarm function is disabled.

### Interrupt/Alarm Mode Bit (IM)

This bit is used to select single-event mode or periodic interrupt mode. See [Alarm](#) for more details.

## 9.9.9.2.3 Trimming Registers RTC ATR and RTC DTR

### Analog Trimming (ATR[5:0])

ATR[5:0] bits are used to trim the oscillator frequency by adjusting the on-chip load capacitance value. The on-chip load capacitance value ranges from 4.5pF to 20.25pF in 0.25pF steps. See [Analog Trimming with On-Chip Load Capacitance](#) for more details.

### Battery Mode ATR Selection (BMATR [1:0])

BMATR[1:0] bits are used to set the on-chip capacitance offset between VCHG mode and battery backup mode. See [Battery Backup Mode Analog Trimming](#) for more details.

### Digital Trimming (DTR [2:0])

DTR[2:0] bits are used to trim the oscillator frequency by modifying the digital stage in RTC. See [Digital Trimming](#) for more details.

## 9.9.9.3 Alarm Registers Addresses [0x0C to 0x11]

The alarm register bytes are mapped identical to the RTC register bytes, except that the MSB of each byte functions as an enable bit (1 means enabled). These enable bits specify which alarm registers are used to make the comparison. *Note:* There is no alarm byte for year.

The followings are examples of using single-event mode and periodic Interrupt mode.

### Example 1 – Alarm set to single-event mode (IM = 0)

A single-event alarm occurs on January 1 at 11:30 am.

Table 8. Register Settings in Example 1

| Register Name | Bit 7 | Bit 6 | Bit 5 | Bit 4 | Bit 3 | Bit 2 | Bit 1 | Bit 0 | Value | Description                |
|---------------|-------|-------|-------|-------|-------|-------|-------|-------|-------|----------------------------|
| RTC SCA       | 0     | 0     | 0     | 0     | 0     | 0     | 0     | 0     | 0x00  | Seconds disabled           |
| RTC MNA       | 1     | 0     | 1     | 1     | 0     | 0     | 0     | 0     | 0xB0  | Minutes set to 30, enabled |

**Table 8. Register Settings in Example 1 (Cont.)**

| Register Name | Bit 7 | Bit 6 | Bit 5            | Bit 4            | Bit 3 | Bit 2 | Bit 1 | Bit 0 | Value | Description              |
|---------------|-------|-------|------------------|------------------|-------|-------|-------|-------|-------|--------------------------|
| RTC HRA       | 1     | 0     | 0                | 1                | 0     | 0     | 0     | 1     | 0x91  | Hours set to 11, enabled |
| RTC DTA       | 1     | 0     | 0                | 0                | 0     | 0     | 0     | 1     | 0x81  | Date set to 1, enabled   |
| RTC MOA       | 1     | 0     | 0                | 0                | 0     | 0     | 0     | 1     | 0x81  | Month set to 1, enabled  |
| RTC DWA       | 0     | 0     | 0                | 0                | 0     | 0     | 0     | 0     | 0x00  | Day of week disabled     |
| RTC INT       | 0     | 1     | X <sup>[1]</sup> | X <sup>[1]</sup> | 0     | 0     | 0     | 0     | 0xX0  | Enable single-event mode |

1. X can be set to either 0 or 1 depending on the application.

After these registers are set, an alarm is generated when the RTC advances to exactly 11:30 am on January 1 (after seconds change from 59 to 00) by setting the ALM bit in the status register to 1 and also pulling the INT# output low.

**Example 2 – Alarm set to periodic interrupt mode (IM = 1)**

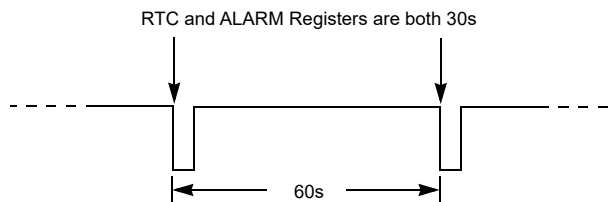
An interrupt occurs every minute when the value of the RTC SC register is at 30 seconds.

**Table 9. Register Settings in Example 2**

| Register Name | Bit 7 | Bit 6 | Bit 5            | Bit 4            | Bit 3 | Bit 2 | Bit 1 | Bit 0 | Value | Description                    |
|---------------|-------|-------|------------------|------------------|-------|-------|-------|-------|-------|--------------------------------|
| RTC SCA       | 1     | 0     | 1                | 1                | 0     | 0     | 0     | 0     | 0xB0  | Seconds set to 30, enabled     |
| RTC MNA       | 0     | 0     | 0                | 0                | 0     | 0     | 0     | 0     | 0x00  | Minutes disabled               |
| RTC HRA       | 0     | 0     | 0                | 0                | 0     | 0     | 0     | 0     | 0x00  | Hours disabled                 |
| RTC DTA       | 0     | 0     | 0                | 0                | 0     | 0     | 0     | 0     | 0x00  | Date disabled                  |
| RTC MOA       | 0     | 0     | 0                | 0                | 0     | 0     | 0     | 0     | 0x00  | Month disabled                 |
| RTC DWA       | 0     | 0     | 0                | 0                | 0     | 0     | 0     | 0     | 0x00  | Day of week disabled           |
| RTC INT       | 1     | 1     | X <sup>[1]</sup> | X <sup>[1]</sup> | 0     | 0     | 0     | 0     | 0xX0  | Enable periodic interrupt mode |

1. X can be set to either 0 or 1 depending on the application.

When the registers are set, the following waveform is seen at INT#. The status register ALM bit is set each time the alarm is triggered. See [Alarm](#) for details about clearing the ALM bit.



**Figure 35. Periodic Interrupt Alarm Signal**

## 9.10 Coin Cell Battery Charger

RAA215300 features a constant current charger to charge an external backup energy storage device to maintain power to the RTC when the VCHG supply falls. A typical energy storage device is a coin cell battery or supercapacitor connected to VBAT. The charger charges the external storage device when VCHG is higher than VBAT.

The charger is always off by default (after power-on or device reset) and must be enabled by I<sup>2</sup>C.

The charger supports selectable 20μA or 60μA (typical) charge currents. If the charger is enabled and VCHG is higher than VBAT, the charge current is supplied through VBAT. The charging termination voltage is selectable by I<sup>2</sup>C from 1.8V to 3.3V in 100mV steps.

The device does not automatically re-enable the charger when the voltage on the external storage device falls. The host should monitor the PGOODCCBAT fault bits (poll the register using I<sup>2</sup>C) to decide if and when the charger must be re-enabled to charge up the external storage device.

The battery sense comparator is disabled by default, and the PGOODCCBAT live bit stays at 0. The sense comparator is automatically enabled when the charger is enabled. The host can check the battery status by trying to enable the charger (writing 1 to CC Charger EN bit) every certain period of time (depending on the battery backup time), and the following occurs when the device receives the command:

- If VBAT voltage is above or at the target level (charging termination voltage), the charger is not turned on and CC Charger EN bit remains at 0.
- If VBAT voltage falls below the target level, the comparator and charger are enabled. The PGOODCCBAT live and latched bits are set. INT# is asserted if not masked.

The PGOODCCBAT latched bit can be cleared by writing 1 to it. This bit is edge sensitive. When cleared, it does not set until the next time VBAT falls below the target level. When VBAT reaches the target level, the charger and comparator are automatically disabled, and the PGOODCCBAT live bit is cleared, indicating VBAT PGOOD was attained.

### 9.10.1 Supercapacitor Backup Time

The supercapacitor backup time is calculated using [Equation 6](#) where C<sub>BAT</sub> is the capacitance value of the supercapacitor, V<sub>BAT1</sub> is the battery voltage level when it is fully charged, V<sub>BAT2</sub> is the voltage level when the battery must recharge, and I<sub>BAT</sub> is the supply current drawn from the supercapacitor.

$$\text{(EQ. 6)} \quad T_{\text{Backup}}(\text{seconds}) = C_{\text{BAT}} \times \frac{V_{\text{BAT1}} - V_{\text{BAT2}}}{I_{\text{BAT}}}$$

For example, if C<sub>BAT</sub> = 0.1F, V<sub>BAT1</sub> = 3V, V<sub>BAT2</sub> = 1.8V, and I<sub>BAT</sub> = 950nA (maximum) when RTC is clocking, the battery backup time is 126316 seconds which equals 35 hours, which means that the host must check the battery status every 35 hours.

Charging time is calculated using [Equation 7](#) where I<sub>Charge</sub> is the charge current set in the register.

$$\text{(EQ. 7)} \quad T_{\text{Charge}}(\text{seconds}) = C_{\text{BAT}} \times \frac{V_{\text{BAT1}} - V_{\text{BAT2}}}{I_{\text{Charge}} - I_{\text{BAT}}}$$

In the previous example, if I<sub>Charge</sub> = 60μA, the charge time is 2032 seconds which equals 0.56 hours.

*Note:* These examples provide an approximate estimation of the battery backup time and charging time. For precise results, characterize the supply current in relation to the voltage of the supercapacitor or coin-cell battery used in the system.

## 9.11 Buck Regulators

The RAA215300 has six synchronous buck regulators. Internal compensation is employed to simplify application design, reduce PCB space, and reduce the BOM cost. Each buck regulator has its own programmable output range, soft-start, power-up/down timing, switching frequency, and can be individually disabled by the register and EEPROM settings. Some of the buck regulators are optimized to support various DDR memory specifications but can also be used for general purposes. The buck regulators have various output voltage ranges and current ratings, allowing the system to be flexibly designed for improved performance, such as efficiency and voltage ripple. The buck regulators can be automatically reconfigured (by register settings) between {ACTIVE} and {SLEEP} for different applications or different power requirements.

The buck regulators have two operating modes: Auto PFM/PWM and FPWM. Each buck regulator can be set to the ultrasonic mode when operating in PFM (see [Ultrasonic Mode](#)) and can use a spread spectrum feature (see [Spread Spectrum](#)). A synchronous phase delay feature allows the switching of each buck regulator to be shifted in phase relative to the internal clock, which may improve EMC.

The buck regulators support Dynamic Voltage Scaling (DVS) with programmable ramp-up/down rates (see [DVS](#)), and offer various active discharge options (see [Output Discharge](#)). Various warnings and faults are monitored and reported (see [Device Monitors, Warnings, and Protections](#)).

*Note:* All buck supplies (BUCKx\_VINx) = AVDD = VCHG.

### 9.11.1 Buck1

Buck1 supports the processor or SoC core power. It provides high efficiency, fast load transient response, and low ripple voltage. It can provide up to 5A. The output voltage can be set to 1.03V, and from 0.8V to 1.5Vin 50mV steps. *Note:* The switching frequency should be reduced when using outputs 1.03V and lower.

Buck1 supports high-current warning interrupt if the output current exceeds the programmable Buck1 High Current Threshold. It can be used as an early indicator for system thermal control. It is particularly helpful during the system design phase.

Buck1 configuration details are in registers 0x20 to 0x26.

### 9.11.2 Buck2

Buck2 supports DDR memory VDDQ rail. It can provide up to 1.5A. The output voltage can be set from 1.1V to 1.85V, in 50mV steps. If Buck2 powers DDR memory and VTT is required, connect VREFIN to the Buck2 output rail externally.

Buck2 configuration details are in registers 0x27 to 0x2D.

### 9.11.3 Buck3

Buck3 can provide up to 1.5A. The output voltage can be set from 1.8V to 3.3V, in 100mV steps. It can be used to power 1.8V or 3.3V I/O or other loads.

Buck3 configuration details are in registers 0x2E to 0x34.

### 9.11.4 Buck4

Buck4 can provide up to 3.5A. The output voltage can be set to 0.8V, 0.85V, 0.9V, 0.95V, 1.0V, 1.05V, 1.1V, 1.15V, 1.2V, 1.5V, 1.6V, 1.8V, 1.85V, 2.2V, 2.5V, or 3.3V. It can be used to power 1.8V or 3.3V I/O or other general loads. *Note:* Reduce the switching frequency when using outputs 1.6V and lower.

Buck4 configuration details are in registers 0x35 to 0x3B.

### 9.11.5 Buck5

Buck5 is a regulator for system peripherals such as WiFi or Ethernet. It can provide up to 0.6A. The output voltage can be set to 1.2V, 1.5V, 1.6V, 1.8V, 1.85V, 2.2V, 2.5V, or 3.3V. It can support up to 0.6A for outputs lower than 2.5V. When the set output voltage is 2.5V or 3.3V, the maximum load current capability derates.

Buck5 configuration details are in registers 0x3C to 0x42.

### 9.11.6 Buck6

Buck6 supports DDR VTT, which is required to sink (receive) and source (supply) currents up to  $\pm 1A$ . When the VTTREF\_EN bit = 1, Buck6 is configured for the DDR VTT application (VTT mode). The output voltage tracks the VREFIN input and the output voltage is fixed at  $VREFIN/2$ . The power-up/down sequence tracks the VREFIN per DDR memory specification. *Note:* Sink and source currents derate when the output voltage is 0.7V and higher. Also, sink currents and/or maximum input voltage derate when the output voltage is 0.575V or lower.

Buck6 configuration details are in registers 0x43 to 0x49.

### 9.11.7 Buck Operating Modes

The operating mode (Auto PFM/PWM and FPWM) is set by the Buckx\_ACTIVE and Buckx\_SLEEP registers.

In Auto PFM/PWM mode, the buck regulator transitions between PFM and PWM modes depending on load current. At light load, it enters PFM to reduce power consumption. As load current increases, the regulator transitions to PWM. PFM mode produces higher output voltage ripple than PWM mode. FPWM produces the lowest output voltage ripple at light load but it increases quiescent current.

FPWM mode makes the regulator operate at a fixed switching frequency, as programmed in EEPROM, irrespective of the load current. At light load, there is a negative inductor current (the current flows from output capacitance, through the inductor and low-side switch).

All bucks soft-start in PFM/PWM mode, irrespective of the mode setting. After soft-start completion, if selected, the device transitions to FPWM 300 $\mu$ s. The regulator is unable to create a negative inductor current until FPWM mode is established.

### 9.11.8 Ultrasonic Mode

Ultrasonic mode is an optional feature (set in EEPROM) of each buck regulator. Its purpose is to prevent PFM switching frequency from being within the audio frequency band.

### 9.11.9 Unused Buck

If a buck regulator is not required in a given application, configure that unused buck as follows:

- BUCKx\_VINx = Always connect to the same supply as AVDD
- BUCKx\_LXx = Open
- BUCKx\_FB = GND
- Disable the BUCKx block in EEPROM by both Buckx\_EN\_ACTIVE and Buckx\_EN\_SLEEP bits.

A UV fault is triggered at startup if a buck regulator is enabled in the register settings but configured as unused on the board. The fault protection function is configured in the default settings to shut down all the outputs when a UV fault is detected. To avoid shutdown, disable the unused bucks in the EEPROM settings or before asserting PWRON.

When VTTREF\_EN = Enabled and the register bit Link\_Buck6\_to\_Buck2 is set to 1, Buck6 and Buck2 start up and shut down simultaneously, and settings of the following register bits are ignored: Buck6\_EN\_ACTIVE, Buck6\_EN\_SLEEP, Buck6\_Power\_On\_Delay, and Buck6 Power\_Off\_Delay. When Link\_Buck6\_to\_Buck2 is set to 0, sequencing of Buck6 and Buck2 is independent.

If VTTREF\_EN = Enabled and Buck6 is unused, Link\_Buck6\_to\_Buck2 must be set to 0.

### 9.11.10 Switching Frequency

The PWM switching frequency ( $f_{SW}$ ) for each buck is programmable. Changing this setting on the fly using I<sup>2</sup>C is not recommended. It is preferred to change the frequency only when the output is disabled, or before PWRON assertion. See the [Register Map](#) for the available options for each regulator and default selections.

At the load where control changes from PFM to PWM, the switching frequency is not as high as its setting. As load increases, the switching frequency increases. The setting is a maximum.

### 9.11.11 Spread Spectrum

To improve EMC, spread spectrum operation is optional in each buck regulator. The switching frequency is modulated to reduce peak noise power.

#### 9.11.11.1 PFM mode

The switching frequency depends on load current and peak switch current limit. A 10-bit pseudo-random pattern is applied to the peak switch current limit code to modulate the PFM switching frequency. The PFM spread spectrum modulation rate is adjusted using the 2-bit code Buck#\_PFM\_AM[1:0].

Each buck regulator has a bit to enable/disable PFM spread spectrum operation.

#### 9.11.11.2 PWM Mode

There are two spread spectrum modulation schemes in PWM mode: pseudo-random and triangular, set by the SS\_PWM\_Mod bit. The 2-bit code PWM\_AM[1:0] sets the amplitude of modulation. The PWM\_AM bits can also be set to disable the PWM spread spectrum. The selected modulation scheme and modulation amplitude are applied to all buck regulators.

The pseudo-random scheme is implemented similarly to PFM spread spectrum modulation, but instead of modulating PFM current limit it directly modulates switching frequency. The modulation frequency is set by the 2-bit code Freq\_SS[1:0]. The modulation rate is adjusted using the 2-bit code PWM\_AM[1:0].

When the triangular modulation profile is selected, the PWM switching frequency is the center frequency ( $f_{\text{CENTER}}$ ). A maximum frequency ( $f_{\text{MAX}}$ ) and minimum frequency ( $f_{\text{MIN}}$ ) are adjusted by the modulation amplitude 2-bit code PWM\_AM[1:0]. The modulation frequency ( $f_{\text{MOD}}$ ) is set by the 2-bit code Freq\_SS[1:0].

### 9.11.12 Phase Synchronization

The phase relationships between the starts of switching cycles of different buck regulators can be programmed. The programmed switching frequencies of synchronized buck regulators must be the same, double, or half. When programmed, synchronization occurs when the buck regulators are running at the full switching frequency, which occurs at all loads in FPWM mode and at moderate to high load in Auto PFM/PWM mode. Phase synchronization can improve EMC.

## 9.12 LDO Regulators

The RAA215300 has three LDO regulators, each with programmable output voltage, soft-start timing, and power on/off delay. Each can be disabled by the register and EEPROM settings. The LDOs support various DDR memory specifications, but can also be used for general purposes. The LDOs can be reconfigured by programmed settings during transitions between {ACTIVE} and {SLEEP}. In {ACTIVE}, hardware inputs (see [LDOx Selection Inputs](#)) can change the output voltages of LDO1 and LDO2 at rates determined by DVS settings and limitations caused by current limit, load current, and load capacitance.

DVS settings program a target for the rate of change of output voltage. The maximum rate of increase of output voltage is limited by current limit, load current, and load capacitance.

The maximum rate of decrease of output voltage during DVS is limited by load current and load capacitance.

The maximum rates of increase and decrease in the output voltage can be less than the DVS setting.

The LDO regulators offer various active discharge options (see [Output Discharge](#)) at power-off. Various types of LDO regulator faults are monitored and reported, see [Device Monitors, Warnings, and Protections](#).

The maximum rate of decrease of output voltage during a shutdown is limited by load current, load capacitance, and active discharge setting.

### 9.12.1 LDO1/2

LDO1 and LDO2 use the same design. The output voltages can be set to 0.8V, 0.9V, 1.2V, 1.5V, 1.8V, 2.5V, 3.0V, and 3.3V. The output voltages for {ACTIVE} and {SLEEP} are separately programmable. These LDOs support SD card interface applications.

- LDO1 configuration details are in registers 0x4A to 0x4E.
- LDO2 configuration details are in registers 0x4F to 0x53.

#### 9.12.1.1 LDOx Selection Inputs

The LDO\_SELx inputs can change the output voltages while in {ACTIVE}. For example, this can be useful when the LDOs power an SD card interface.

- When LDO\_SELx = HIGH, the LDOx\_Vo\_1\_ACTIVE setting is selected.
- When LDO\_SELx = LOW, the LDOx\_Vo\_0\_ACTIVE setting is selected.

LDO\_SELx inputs are ignored during {SLEEP}, when powering on, or during transitions from {STANDBY} to {ACTIVE}.

### 9.12.2 LDO3

LDO3 output voltage can be set to 0.8V, 0.9V, 1.2V, 1.5V, 1.8V, 2.5V, 3.0V, and 3.3V. The output voltages for {ACTIVE} and {SLEEP} are separately programmable. LDO3 can provide power for the DDR memory VPP rail.

### 9.12.3 LDOx Bypass

Each LDO can be set in bypass mode where the input and output are internally connected through the enhanced pass MOSFET.

The LDO cannot be switched in or out of bypass mode between {ACTIVE} and {SLEEP}.

### 9.12.4 Unused LDOx

If an LDO regulator is not required in a given application, configure that unused LDO as follows:

- LDOx\_VIN = GND
- LDOx\_OUT = GND
- LDO\_SEL1 = GND if LDO1 is not used
- LDO\_SEL2 = GND if LDO2 is not used
- Disable the LDOx block in EEPROM by both LDOx\_EN\_ACTIVE and LDOx\_EN\_SLEEP bits.

A UV fault is triggered at startup if an LDO is enabled in the register settings but configured as unused on the board. The fault protection function is configured in the default settings to shut down all the outputs when a UV fault is detected. To avoid shutdown, disable the unused LDOs in the EEPROM settings or before asserting PWRON.

## 9.13 VTTREF

The VTTREF block provides the VTT reference voltage in DDR applications.  $VREFOUT = VREFIN/2$ .

In DDR applications, VREFIN is connected to the VDDQ rail, which is typically generated by Buck2.

When Buck6 is set to VTT mode, Buck6 output provides an active tracking termination voltage (VTT) equal to VREFOUT.

If VTTREF\_EN = Enabled, VTTREF is enabled when Buck2 starts up and is disabled when Buck2 shuts down. VREFIN (the input to VTTREF) can be connected to the output of any of the regulators, or to any voltage source. VREFIN UVLO detection is active only after Buck2 completes soft-start and before Buck2 starts power-down.



When VREFIN UVLO is active, UVLO latched fault and live fault bits are set and all outputs shut down if VREFIN is less than its falling UVLO threshold for longer than the VREFIN UVLO Falling Delay period. See [VREFIN UVLO](#).

VTTREF is enabled and disabled simultaneously with Buck2. Therefore, Buck6 must not start up earlier than Buck2 and must not shut down later than Buck2. During startup, VREFIN must be greater than two times the Buck6 output voltage, or Buck6 OV could be triggered. Many things affect the rise times. In FPWM, constraints of minimum on-time and switching frequency can make Buck6 output voltage rise quickly. Therefore, it is necessary to make VREFIN establish quickly or before Buck6. During shutdown, the voltage source connected to VREFIN cannot shut down earlier than Buck6, or Buck6 OV could be triggered.

### 9.13.1 Unused VTTREF

If VTTREF is not going to be configured for use as a reference for Buck6, configure the schematic and board design as follows:

- VREFIN = GND
- VREFOUT = GND
- Disable the VTTREF block in EEPROM.

## 9.14 Pre-bias Startup

In some use cases, the output capacitor/load of the regulator may have residual charge and therefore a non-zero output voltage when the device is (re)started (that is, pre-biased). The RAA215300 supports pre-biased start-up.

## 9.15 Device Monitors, Warnings, and Protections

The RAA215300 has various monitors, warnings, and fault protection features.

If a fault is detected during normal operation, both a latched (sticky) and a live fault status bit are set. INT# is asserted if the fault interrupt is supported and not masked out. Certain fault events can be configured to shut down all rails (enter {FAULT\_OUT}), or to keep all rails operating (do not enter {FAULT\_OUT}). A latched fault bit remains set until cleared by the host writing a 1 to the latched register bit after the event has subsided. The live status bits show the real-time condition and indicate if the fault has subsided or persists. For more information see [Interrupt](#) and [Fault and Status Monitoring](#).

If a fault event shuts down the RAA215300 power rails, all the reset outputs are asserted and the output rails are powered down following the power-off sequence.

### 9.15.1 Input Voltage Monitor (AVDD Undervoltage Power Down)

To help prevent uncontrolled power-down due to input power loss, an AVDD voltage monitor option is included to provide the host an early warning. It is also called the AVDD Undervoltage Power Down (UVPD) feature, which has a programmable threshold and can be enabled/disabled in the EEPROM. When the programmed threshold is reached, after a delay the AVDD\_UVPD\_Latched and AVDD\_UVPD\_Live status bits are set and, if not masked, INT# is asserted. The device powers down according to the power-down sequence and then enters {FAULT\_OUT}. At power-on, the device remains in {STANDBY} until AVDD exceeds the UVPD setting if the AVDD UVPD feature is enabled, and stays in this state indefinitely if AVDD remains below its UVPD setting.

The threshold options are:

- 4.25V (for 5V systems)
- 3.0V (for Li-Ion battery systems)
- 2.7V (for 3V systems)

### 9.15.2 AVDD UVLO

The AVDD input supply has UVLO protection. This checks the power supply is valid for normal operation. See the [Electrical Specifications](#) for detailed specifications. When AVDD is below its UVLO falling threshold, the device enters {RESET}. See [Operating {States} and Transition Conditions](#) for more details.

### 9.15.3 VREFIN UVLO

The VREFIN input has UVLO protection. When VREFIN is below its UVLO falling threshold, after a delay the VREFIN\_UVLO\_Latched and VREFIN\_UVLO\_Live fault bits are set and, if not masked, INT# is asserted. The device powers down according to the power-down sequence if it is configured to shut down all the rails by the VREFIN\_UVLO\_Disable bit and then enters {FAULT\_OUT}.

*Note:* The device can be configured to either shut down all the rails or not shut down any rails by register bit VREFIN\_UVLO\_Disable. If the device is configured to not shut down any rails, the fault cannot be cleared until VREFIN exceeds its UVLO rising threshold. If the device is configured to shut down all the rails, the fault cannot be cleared until the power-off sequence completes.

The VREFIN UVLO Falling Delay timer is enabled after Buck2 finishes soft-start and before Buck2 starts shutdown.

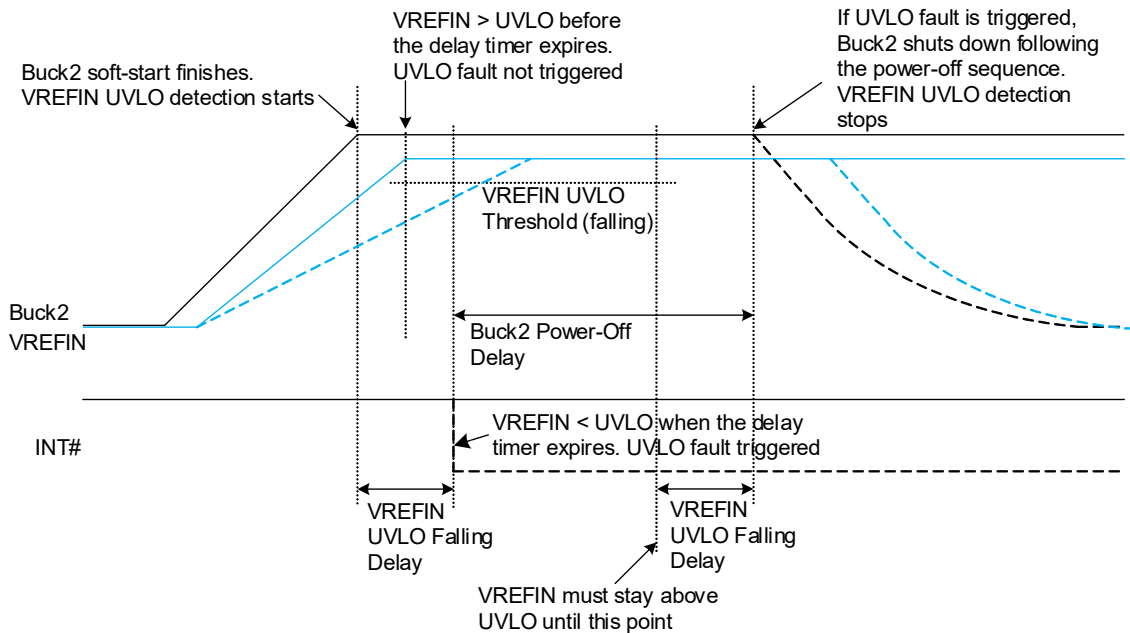


Figure 36. VREFIN UVLO Fault Detection at Power-On

### 9.15.4 Over-Temperature Warning and Protection

The RAA215300 continuously monitors its die temperature and responds at two thresholds. The lower threshold provides a warning that the temperature is near but less than the higher protection threshold.

The thermal warning threshold is programmable. When the warning threshold is reached, a latched fault flag and live status bit are set and if not masked, it asserts INT#. When the thermal shutdown threshold is reached, a latched fault flag and live status bit are set, INT# is asserted (if not masked), and the device powers down following the power-off sequence and it enters {FAULT\_OUT}.

*Note:* OTP\_WARN\_Latched fault is edge triggered, that is, when the latched fault is cleared, it is only set again when the live fault goes LOW to HIGH. OTP\_Latched fault is level triggered, that is, when the latched fault is cleared, it is set again if the live fault is high.

### 9.15.5 High Current Warning

Buck1 features a high-current warning with a programmable threshold. This can be used by the system, possibly in conjunction with the over-temperature warning, to moderate processor activity to avoid high-temperature operation. When Buck1 output current is higher than the threshold set in Buck1\_High\_Current\_Threshold register bits, the Buck1\_HC\_Latched and Buck1\_HC\_Live bits are set, and INT# is asserted (if not masked). The device remains operating in this condition.

### 9.15.6 Overvoltage and Undervoltage Protection

All buck regulators have undervoltage (UV) and overvoltage (OV) fault protection. The LDOs have UV protection. PMIC response to a fault is configurable and can include assertion of INT#. When UV or OV protection threshold is reached, a latched fault flag and live status bit are set, and INT# is asserted (if not masked). If the UV\_Disable or OV\_Disable bit of the regulator is configured to shut down all the rails, the device powers down following the power-off sequence and enters {FAULT\_OUT}. If it is configured to not shut down any rails, the device remains operating.

*Note:* The LDOx live status bits are PGOOD live status, and they are monitored when the related LDO is enabled and disabled. The LDOx latched status bits are UV latched status and are only monitored when the related LDO is enabled. Similarly, the BUCKx UV and OV status are only monitored when the related buck regulator is enabled. The INT# status depends on the latched fault status.

### 9.15.7 Interrupt

The RAA215300 has an interrupt (INT#) pin, which is an open-drain, active low output that can notify the system/host of a PMIC fault or alarm condition. Each latched fault can be configured to be unmasked or masked with respect to INT#. Unmasked faults assert INT#; masked faults do not. *Note:* The host can read latched and live faults from the status registers.

It is the responsibility of the host to de-assert/release INT# by clearing the latched fault bit(s). If INT# is not de-asserted, it is unable to notify the host of further qualifying events.

### 9.15.8 Fault and Status Monitoring

The RAA215300 supports numerous interrupt qualifying events and numerous status flags. Different fault events may have associated latched flags, live flags, and the ability to assert the INT# and power down all outputs (enter {FAULT\_OUT}).

*Note:* Latched and live fault bits can be polled by the host at any time to check status. A latched fault sets the related flag to 1, and this remains until cleared by the host. The fault is re-triggered if the fault condition persists.

See [Table 10](#) for a summary of all fault and status flags, see the [Register Map](#) for all details of the bits summarized.

**Table 10. Fault and Status Flags: Behavior and Partitioning**

| Fault Register Partitioning | Fault/Status Name | Live Bit Status | Latched Bit Status | INT# Mask Option | Fault Response Option | Deglitch Time (ms) | Notes |
|-----------------------------|-------------------|-----------------|--------------------|------------------|-----------------------|--------------------|-------|
| Fault 1                     | Buck6 UV          | Yes             | Yes                | Yes              | Yes                   | 1                  |       |
|                             | Buck5 UV          | Yes             | Yes                | Yes              | Yes                   | 1                  |       |
|                             | Buck4 UV          | Yes             | Yes                | Yes              | Yes                   | 1                  |       |
|                             | Buck3 UV          | Yes             | Yes                | Yes              | Yes                   | 1                  |       |
|                             | Buck2 UV          | Yes             | Yes                | Yes              | Yes                   | 1                  |       |
|                             | Buck1 UV          | Yes             | Yes                | Yes              | Yes                   | 1                  |       |

Table 10. Fault and Status Flags: Behavior and Partitioning (Cont.)

| Fault Register Partitioning | Fault/Status Name       | Live Bit Status | Latched Bit Status | INT# Mask Option | Fault Response Option | Deglintch Time (ms) | Notes   |
|-----------------------------|-------------------------|-----------------|--------------------|------------------|-----------------------|---------------------|---|
| Fault 2                     | VIO_PGOOD               | Yes             | Yes                | Yes              | No                    | 1                   |   |
|                             | LDO3 UV                 | Yes             | Yes                | Yes              | Yes                   | 1                   |   |
|                             | LDO2 UV                 | Yes             | Yes                | Yes              | Yes                   | 1                   |   |
|                             | LDO1 UV                 | Yes             | Yes                | Yes              | Yes                   | 1                   |   |
| Fault 3                     | Buck6 OV                | Yes             | Yes                | Yes              | Yes                   | 1                   |   |
|                             | Buck5 OV                | Yes             | Yes                | Yes              | Yes                   | 1                   |   |
|                             | Buck4 OV                | Yes             | Yes                | Yes              | Yes                   | 1                   |   |
|                             | Buck3 OV                | Yes             | Yes                | Yes              | Yes                   | 1                   |   |
|                             | Buck2 OV                | Yes             | Yes                | Yes              | Yes                   | 1                   |   |
|                             | Buck1 OV                | Yes             | Yes                | Yes              | Yes                   | 1                   |   |
| Fault 4                     | Buck1_HC                | Yes             | Yes                | Yes              | No                    | 0.1                 |   |
| Fault 5                     | NVM Read                | No              | Yes                | No               | No                    | -                   | Ok/good when bit = 1  |
| Fault 6                     | PGOODCCBAT              | Yes             | Yes                | Yes              | No                    | 0.1                 |   |
|                             | VREFIN UVLO             | Yes             | Yes                | Yes              | Yes                   | 1                   | Only monitored after Buck2 (VDDQ) rail soft-start is completed. |
|                             | AVDD UVPD               | Yes             | Yes                | Yes              | No                    | 0.1                 |   |
|                             | NVM_Error               | No              | Yes                | Yes              | No                    | -                   |   |
|                             | CRST Triggered          | Yes             | Yes                | Yes              | No                    | -                   |   |
|                             | WDT Error               | Yes             | Yes                | Yes              | No                    | -                   |   |
|                             | OTP                     | Yes             | Yes                | Yes              | No                    | -                   |   |
|                             | OTP Warn                | Yes             | Yes                | Yes              | No                    | -                   |   |
| ECC Detail 1                | EE Bank 7 ECC Corrected | No              | Yes                | No               | No                    | -                   | Clear latched flag by writing 1 to the bit location             |
|                             | EE Bank 6 ECC Corrected | No              | Yes                | No               | No                    | -                   | Clear latched flag by writing 1 to the bit location             |
|                             | EE Bank 5 ECC Corrected | No              | Yes                | No               | No                    | -                   | Clear latched flag by writing 1 to the bit location             |
|                             | EE Bank 4 ECC Corrected | No              | Yes                | No               | No                    | -                   | Clear latched flag by writing 1 to the bit location             |
|                             | EE Bank 3 ECC Corrected | No              | Yes                | No               | No                    | -                   | Clear latched flag by writing 1 to the bit location             |
|                             | EE Bank 2 ECC Corrected | No              | Yes                | No               | No                    | -                   | Clear latched flag by writing 1 to the bit location             |
|                             | EE Bank 1 ECC Corrected | No              | Yes                | No               | No                    | -                   | Clear latched flag by writing 1 to the bit location             |
|                             | EE Bank 0 ECC Corrected | No              | Yes                | No               | No                    | -                   | Clear latched flag by writing 1 to the bit location             |

Table 10. Fault and Status Flags: Behavior and Partitioning (Cont.)

| Fault Register Partitioning | Fault/Status Name   | Live Bit Status | Latched Bit Status | INT# Mask Option | Fault Response Option | Deglitch Time (ms) | Notes   |
|-----------------------------|---------------------|-----------------|--------------------|------------------|-----------------------|--------------------|---|
| ECC Detail 2                | EE Bank 7 ECC Error | No              | Yes                | No               | No                    | -                  | Clear latched flag by writing 1 to the bit location |
|                             | EE Bank 6 ECC Error | No              | Yes                | No               | No                    | -                  | Clear latched flag by writing 1 to the bit location |
|                             | EE Bank 5 ECC Error | No              | Yes                | No               | No                    | -                  | Clear latched flag by writing 1 to the bit location |
|                             | EE Bank 4 ECC Error | No              | Yes                | No               | No                    | -                  | Clear latched flag by writing 1 to the bit location |
|                             | EE Bank 3 ECC Error | No              | Yes                | No               | No                    | -                  | Clear latched flag by writing 1 to the bit location |
|                             | EE Bank 2 ECC Error | No              | Yes                | No               | No                    | -                  | Clear latched flag by writing 1 to the bit location |
|                             | EE Bank 1 ECC Error | No              | Yes                | No               | No                    | -                  | Clear latched flag by writing 1 to the bit location |
|                             | EE Bank 0 ECC Error | No              | Yes                | No               | No                    | -                  | Clear latched flag by writing 1 to the bit location |
| EE Detail                   | Valid EE Data       | No              | Yes                | No               | No                    | -                  | Clear latched flag by writing 1 to the bit location |
|                             | EE Error Latched    | No              | Yes                | No               | No                    | -                  | Clear latched flag by writing 1 to the bit location |

### 9.16 Maximum Recommended Power Dissipation

The maximum power dissipation recommended in a package is calculated using Equation 8 where  $T_{JMAX}$  = Maximum junction temperature,  $T_{AMAX}$  = Maximum ambient temperature,  $\theta_{JA}$  = Thermal resistance of the package, and  $P_{DMAX}$  = Maximum power dissipation recommended.

(EQ. 8) 
$$P_{DMAX} = \frac{T_{JMAX} - T_{AMAX}}{\theta_{JA}}$$

An example of the maximum recommended power dissipation versus ambient temperature curve is shown in Figure 37. In this example, the maximum power dissipation across the temperature range is specified at 25°C and the maximum junction temperature is set to 125°C, which is the maximum recommended operating junction temperature.

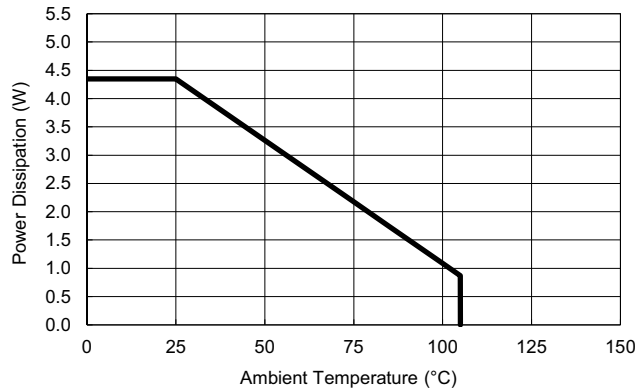


Figure 37. Power Dissipation vs Ambient Temperature

## 10. External Component Selection

The RAA215300 includes six synchronous buck regulators, three LDOs, and various features. It works with physically small components to reduce PCB assembly area and height. Switching MOSFETs are fully integrated and no external MOSFETs or diodes are required.

### 10.1 Output Filters

The inductor and output capacitors are low-pass filters for the voltage at the buck switching node. Their characteristics influence the transfer function of the regulator and the control loop. If the transient load changes, the capacitors maintain output voltage with greater effective bandwidth than that achievable by the control loop alone. The permissible values of inductance and capacitance are dictated by PMIC design and settings. The values in [Table 11](#) are consistent with stable operation and performance in accordance with [Electrical Specifications](#).

#### 10.1.1 Inductor Selection

At full load of the application, which is not necessarily the PMIC maximum rated load, inductors must have at least 90% of their low-current inductance. At 150% of PMIC maximum rated load, inductors must have at least 50% of their low-current inductance. For high efficiency, the inductors should have low resistance and low core loss. Choose molded or screened types for the best EMC.

Other similarly specified components may also be acceptable in the application, see [Recommended External Components](#).

#### 10.1.2 Output Capacitor Selection

Capacitors must be ceramic. When selecting for capacitance value, account for the effects of operating voltage and temperature.

Ceramic capacitors have temperature and voltage (bias) coefficients, which can significantly derate their effective capacitance value. When choosing capacitors, the effective capacitance rating for a given package size, voltage rating, and applied temperature and DC bias must be considered to ensure enough capacitance is used in the design. X5R and X7R types are recommended, depending on operating temperature. Other similarly specified components may also be acceptable in the application, see [Recommended External Components](#).

### 10.2 Input Capacitor Selection

Ceramic input capacitors provide the high-frequency components of current flowing into the high-side MOSFETs. Place the capacitors close to the PMIC. If the power source is connected to the PMIC by long wires or traces, it may be necessary to add bulk capacitors near (not as close as the ceramic input capacitors) the PMIC to damp oscillation.

Other similarly specified components may also be acceptable in the application, see [Recommended External Components](#).

### 10.3 Recommended External Components

Table 11. Recommended External Components

| Name                      | Description  | Qty | Part Number        | Key Electrical Specifications                 | Imperial (Metric) Size | Manufacturer |
|---------------------------|--|-----|--------------------|---|------------------------|--------------|
| <b>All capacitors:[1]</b> |  |     |                    |   |                        |              |
| <b>Supplies</b>           |  |     |                    |   |                        |              |
| C <sub>AVDD</sub>         | AVDD Input capacitance, MLCC                             | 1   | GRM188R61A106MAAL  | 10µF±20%, 10V, X5R                            | 0603 (1608)            | Murata       |
| C <sub>VIO</sub>          | Output capacitance, MLCC                                 | 1   | GRM155R61A225KE01D | 2.2µF±10%, 10V, X5R                           | 0402 (1005)            | Murata       |
| C <sub>VCHG</sub>         | Input capacitance, MLCC                                  | 1   | GRM155R61A225KE01D | 2.2µF±10%, 10V, X5R                           | 0402 (1005)            | Murata       |
| C <sub>VRTC</sub>         | Input capacitance, MLCC                                  | DNP | GRM155R61A225KE01D | 2.2µF±10%, 10V, X5R                           | 0402 (1005)            | Murata       |
| C <sub>VPROG</sub>        | Optional: Input capacitance for EEPROM Programming, MLCC | 1   | GRM155R6YA225KE11  | 2.2µF±20%, 35V, X5R                           | 0402 (1005)            | Murata       |
| C <sub>VBAT</sub>         | Output capacitance, supercapacitor                       | 1   | FMR0H104ZF         | 0.1F, 5.5V                                    | -                      | Kemet        |
| <b>Buck1</b>              |  |     |                    |   |                        |              |
| L <sub>BK1</sub>          | Inductor   | 1   | HBED042T-1R0MS-99  | 1.0µH±20%, 8.2A I <sub>SAT</sub> , 9mΩ DCR    | (4.1x4.1 x2.0mm)       | Cyntec       |
|                           | Option A   | 1   | XGL4030-102ME      | 1.0µH±20%, 10.3A I <sub>SAT</sub> , 7.2mΩ DCR | (4.0x4.0 x3.1mm)       | Coilcraft    |
|                           | Option B   | 1   | SPM4020T-1R0M-LR   | 1.0µH±20%, 9A I <sub>SAT</sub> , 28.1mΩ DCR   | (4.4x4.1 x2.0mm)       | TDK          |
| C <sub>BK1_VIN</sub>      | Input capacitance, MLCC                                  | 2   | GRM188R61A106MAAL  | 10µF±20%, 10V, X5R                            | 0603 (1608)            | Murata       |
| C <sub>BK1_OUT</sub>      | Output capacitance, MLCC                                 | 5   | GRM188R60J476ME15  | 47µF±20%, 6.3V, X5R                           | 0603 (1608)            | Murata       |
| <b>Buck2</b>              |  |     |                    |   |                        |              |
| L <sub>BK2</sub>          | Inductor   | 1   | DFE322512F-1R5M    | 1.5µH±20%, 3.9A I <sub>SAT</sub> , 48mΩ DCR   | (3.2x2.5 x1.2mm)       | Murata       |
| C <sub>BK2_VIN</sub>      | Input capacitance, MLCC                                  | 1   | GRM188R61A106MAAL  | 10µF±20%, 10V, X5R                            | 0603 (1608)            | Murata       |
| C <sub>BK2_OUT</sub>      | Output capacitance, MLCC                                 | 3   | GRM188R60J476ME15  | 47µF±20%, 6.3V, X5R                           | 0603 (1608)            | Murata       |
| <b>Buck3</b>              |  |     |                    |   |                        |              |
| L <sub>BK3</sub>          | Inductor   | 1   | DFE322512F-1R5M    | 1.5µH±20%, 3.9A I <sub>SAT</sub> , 48mΩ DCR   | (3.2x2.5 x1.2mm)       | Murata       |

Table 11. Recommended External Components (Cont.)

| Name                               | Description              | Qty | Part Number       | Key Electrical Specifications                 | Imperial (Metric) Size | Manufacturer |
|------------------------------------|--------------------------|-----|-------------------|---|------------------------|--------------|
| C <sub>BK3_VIN</sub>               | Input capacitance, MLCC  | 1   | GRM188R61A106MAAL | 10μF±20%, 10V, X5R                            | 0603 (1608)            | Murata       |
| C <sub>BK3_OUT</sub>               | Output capacitance, MLCC | 2   | LMK107BBJ226MA-T  | 22μF±20%, 10V, X5R                            | 0603 (1608)            | Taiyo Yuden  |
| <b>Buck4</b>                       |                          |     |                   |   |                        |              |
| L <sub>BK4</sub>                   | Inductor                 | 1   | HBED042T-1R5MS-99 | 1.5μH±20%, 6.8A I <sub>SAT</sub> , 14mΩ DCR   | (4.1x4.1 x2.0mm)       | Cyntec       |
|                                    | Option A                 | 1   | XGL4030-152ME     | 1.5μH±20%, 8.8A I <sub>SAT</sub> , 10.5mΩ DCR | (4.0x4.0 x3.1mm)       | Coilcraft    |
|                                    | Option B                 | 1   | SPM4020T-1R5M-LR  | 1.5μH±20%, 6.3A I <sub>SAT</sub> , 40mΩ DCR   | (4.4x4.1 x2.0mm)       | TDK          |
| C <sub>BK4_VIN</sub>               | Input capacitance, MLCC  | 2   | GRM188R61A106MAAL | 10μF±20%, 10V, X5R                            | 0603 (1608)            | Murata       |
| C <sub>BK4_OUT</sub>               | Output capacitance, MLCC | 4   | GRM21BR61A226ME44 | 22μF±20%, 10V, X5R                            | 0805 (2012)            | Murata       |
| <b>Buck5</b>                       |                          |     |                   |   |                        |              |
| L <sub>BK5</sub>                   | Inductor                 | 1   | DFE252012F-1R5M   | 1.5μH±20%, 3.8A I <sub>SAT</sub> , 58mΩ DCR   | (2.5x2.0x1.2mm)        | Murata       |
| C <sub>BK5_VIN</sub>               | Input capacitance, MLCC  | 1   | GRM188R61A106MAAL | 10μF±20%, 10V, X5R                            | 0603 (1608)            | Murata       |
| C <sub>BK5_OUT</sub>               | Output capacitance, MLCC | 2   | LMK107BBJ226MA-T  | 22μF±20%, 10V, X5R                            | 0603 (1608)            | Taiyo Yuden  |
| <b>Buck6 (supporting VTT Mode)</b> |                          |     |                   |   |                        |              |
| L <sub>BK6</sub>                   | Inductor                 | 1   | DFE252012F-R47M   | 0.47μH±20%, 6.7A I <sub>SAT</sub> , 23mΩ DCR  | (2.5x2.0 x1.2mm)       | Murata       |
| C <sub>BK6_VIN</sub>               | Input capacitance, MLCC  | 1   | GRM188R61A106MAAL | 10μF±20%, 10V, X5R                            | 0603 (1608)            | Murata       |
| C <sub>BK6_OUT</sub>               | Output capacitance, MLCC | 5   | GRM188R60J476ME15 | 47μF±20%, 6.3V, X5R                           | 0603 (1608)            | Murata       |
| <b>LDO 1</b>                       |                          |     |                   |   |                        |              |
| C <sub>LDO1_VIN</sub>              | Input capacitance, MLCC  | 1   | GRM188R61A475KAAJ | 4.7μF±10%, 10V, X5R                           | 0603 (1608)            | Murata       |
| C <sub>LDO1_OUT</sub>              | Output capacitance, MLCC | 2   | LMK107BBJ226MA-T  | 22μF±20%, 10V, X5R                            | 0603 (1608)            | Taiyo Yuden  |
| <b>LDO 2</b>                       |                          |     |                   |   |                        |              |
| C <sub>LDO2_VIN</sub>              | Input capacitance, MLCC  | 1   | GRM188R61A475KAAJ | 4.7μF±10%, 10V, X5R                           | 0603 (1608)            | Murata       |
| C <sub>LDO2_OUT</sub>              | Output capacitance, MLCC | 2   | LMK107BBJ226MA-T  | 22μF±20%, 10V, X5R                            | 0603 (1608)            | Taiyo Yuden  |



Table 11. Recommended External Components (Cont.)

| Name                                | Description                                     | Qty | Part Number        | Key Electrical Specifications                           | Imperial (Metric) Size | Manufacturer |
|-------------------------------------|---|-----|--------------------|---|------------------------|--------------|
| <b>LDO 3</b>                        |   |     |                    |   |                        |              |
| C <sub>LDO3_VIN</sub>               | Input capacitance, MLCC                         | 1   | GRM155R61A225KE01D | 2.2μF±10%, 10V, X5R                                     | 0402 (1005)            | Murata       |
| C <sub>LDO3_OUT</sub>               | Output capacitance, MLCC                        | 1   | GRM155R61A475MEAA  | 4.7μF±20%, 10V, X5R                                     | 0402 (1005)            | Murata       |
| <b>VTTREF</b>                       |   |     |                    |   |                        |              |
| C <sub>VREFIN</sub>                 | Input capacitance, MLCC                         | 1   | GRM155R61A225KE01D | 2.2μF±10%, 10V, X5R                                     | 0402 (1005)            | Murata       |
| C <sub>VREFOUT</sub>                | Output capacitance, MLCC                        | 1   | GRM155R61A475MEAA  | 4.7μF±20%, 10V, X5R                                     | 0402 (1005)            | Murata       |
| <b>Crystal Oscillator</b>           |   |     |                    |   |                        |              |
| XTAL                                | Crystal   | 1   | ECX-.327-CDX-1293  | 32.768kHz, ±5ppm, 70kΩ max ESR, 12.5pF load capacitance | (3.2x1.5x 0.9mm)       | ECS          |
|                                     | Option A  | 1   | ECX-.327-CDX-2096  | 32.768kHz, ±5ppm, 50kΩ max ESR, 12.5pF load capacitance | (3.2x1.5x 0.9mm)       | ECS          |
| C <sub>XIN</sub> <sup>[2]</sup>     | Input capacitance                               | DNP | -                  | Up to 10pF, COG   | 0402 (1005)            | -            |
| C <sub>XOUT</sub> <sup>[2]</sup>    | Output capacitance                              | DNP | -                  | Up to 10pF, COG   | 0402 (1005)            | -            |
| <b>Resistance</b>                   |   |     |                    |   |                        |              |
| R <sub>SDA</sub> , R <sub>SCL</sub> | I <sup>2</sup> C Pull-up resistance             | 1   | RC0402JR-0710KL    | 10kΩ±5%   | 0402 (1005)            | Yageo        |
| R <sub>INT</sub>                    | INT# Pull-up resistance                         | 1   | RC0402FR-07100KL   | 100kΩ±5%  | 0402 (1005)            | Yageo        |
| R <sub>MPIO</sub>                   | Optional: MPIOx Pull-up or Pull-down resistance | 1   | RC0402FR-074K75L   | 4.75kΩ±5%   | 0402 (1005)            | Yageo        |

1. The capacitance listed in the above table is not derated. Refer to the capacitors datasheets for effective capacitance.
2. Do Not Populate capacitors by default. They are only required for oscillator tuning. Renesas recommends placing footprints for these components in the system design in case they are required.

## 10.4 Recommended Effective Capacitance

The effective capacitance of the ceramic capacitors changes with the DC bias voltage. When choosing the input capacitors or output capacitors for each regulator, the total capacitance must be equivalent to the recommended value as shown in [Table 12](#).

Table 12. Recommended Effective Capacitance<sup>[1]</sup>

| Regulator | Total Output Effective Capacitance (μF) | Total Input Effective Capacitance (μF) |
|-----------|---|--|
| Buck1     | 190                                     | 7.2                                    |
| Buck2     | 110                                     | 3.6                                    |
| Buck3     | 34                                      | 3.6                                    |

Table 12. Recommended Effective Capacitance<sup>[1]</sup>

| Regulator        | Total Output Effective Capacitance (μF) | Total Input Effective Capacitance (μF) |
|------------------|---|--|
| Buck4            | 59                                      | 7.2                                    |
| Buck5            | 40                                      | 3.6                                    |
| Buck6 (VTT mode) | 222                                     | 3.6                                    |
| LDO1             | 22                                      | 3.2                                    |
| LDO2             | 22                                      | 3.2                                    |
| LDO3             | 3                                       | 0.6                                    |
| VIO              | 1.5                                     | N/A                                    |
| VREFIN           | 1.8                                     | N/A                                    |
| VREFOUT          | 4.6                                     | N/A                                    |

1. The recommended effective capacitance is determined based on the [RTKA215300DE0000BU](#) BOM and the DC characteristics curves that are available on the capacitor vendor website. The DC bias voltages are the typical input and output voltages of each regulator as stated in [Electrical Specifications](#).

## 11. Layout Guidelines

PCB design is crucial to proper performance of the PMIC and system. The following are recommendations to achieve proper device performance.

### 11.1 Power Ground (PGND)

PGND is the reference for all voltages of the power system. Many components must have low-impedance connections to PGND (most importantly the input and output capacitors). Create a PGND plane on at least one PCB layer and extend it to at least the connection points of all relevant components. The PGND plane is an important heatsink and it may also provide electrostatic screening. Aim to avoid interrupting the plane with non-PGND vias, especially if they are in a row and form a slit. The PGND plane is not perfect because it has impedance and there are unwanted voltages developed across it.

### 11.2 Analog Ground (AGND)

AGND is an electrically quiet reference for signals that could be corrupted if they were connected to PGND. These signals are the PMIC internal power supply and those associated with the RTC and its power supply. Create a small plane that connects these signals to Pin 26 and Pin 42. Connect this plane directly to PGND at the EPAD.

### 11.3 Digital Ground

Connect the grounds of digital signals to PGND.

### 11.4 Exposed Pad (EPAD)

Internal to the PMIC, all regulator power grounds are bonded to the EPAD. The EPAD is in close thermal contact with the PMIC die. Therefore, the connection between EPAD and PCB is important to both the grounding scheme and thermal management. Connect the EPAD to the PGND plane.

Place thermal vias, in a 1 to 1.2mm pitch grid formation, under the PMIC at least in the area of the EPAD, and connect them to the PGND plane. The vias must not wick solder from the EPAD joint.

### 11.5 Buck Regulators

The current through the MOSFETs is periodically and rapidly switched. The current generates a magnetic field that inductively couples current into nearby conductors. At some distance (dependent on frequency) from the

source, the magnetic field becomes electromagnetic radiation (noise). Voltage (noise) develops across impedance in the current paths.

To mitigate the effects of switched current, make paths short and low impedance, make loop areas small and avoid sharing ground connections with sensitive circuits.

The MOSFETs are internal to the PMIC, so their current paths are predetermined. The main external high-frequency current path is through input capacitors. Place input capacitors close to their respective buck regulator input terminals, which usually means placing them on the same side as the PMIC. Connect the positive side with short wide copper. If the negative side must connect to an inner-layer PGND plane, do so with multiple vias. In some applications, it might be helpful to place a physically small capacitor with a lower high-frequency impedance closest to the PMIC. Current in the inductor has smaller high-frequency content than the MOSFETs; however, it is still necessary to connect the inductor to the switch node PMIC terminals with low-impedance copper and to make low-impedance connections to the output capacitors. The output capacitors must be intimately connected to the PGND plane so use multiple vias if the PGND plane is on an inner layer.

The voltage at the switch node is periodically and rapidly switched. The voltage generates an electric field that capacitively couples voltage into nearby conductors. At some distance (dependent on frequency) from the source, the electric field becomes electromagnetic radiation (noise).

To mitigate the effects of switched voltage, make the copper area of the switched node small. This partially contradicts the requirement to make a low-impedance connection between the switch node and inductor, but this is a compromise that must happen. Make the path short but only wide enough to carry the current. Do not add copper that does not have a high current density. Most of the generated electric field is perpendicular to the copper surface. The PGND plane is an effective shield. The inductor terminal also generates an electric field, in directions perpendicular to its surfaces.

## 11.6 Linear Regulators (LDOs)

The LDOs require good high-frequency decoupling of their inputs and outputs. Connections to input and output capacitors must be low impedance at high frequency. Place capacitors close to PMIC pins and connect with short wide copper. Connect capacitors to the PGND plane with multiple vias.

## 11.7 Crystal Oscillator

Place the crystal close to the PMIC. Pin 28, XIN, has very high impedance, and oscillator circuits operating at low frequencies are susceptible to noise if good layout practice is not followed. Erratic clocking and accuracy errors can be caused by adjacent noisy signals. Do not route noisy traces near the crystal. Add a guard ring around the crystal and connect one end to AGND. To avoid affecting load capacitance, keep all layers clear of copper in the area of the crystal and its connecting traces.

## 11.8 Device Specific Layout Guidelines

The following table provides layout guidelines (such as trace routing and size, and component placements) for the various pins of RAA215300. *Note:* All buck supplies (BUCKx\_VINx) = AVDD = VCHG.

| Pin Number | Pin Name                                 | Layout Guideline  |
|------------|--|---|
| 1, 2       | MPIO4,<br>MPIO3                          | Digital input/output pin. Route trace away from any buck switch node. Consider placing the trace such that the PGND plane is between the trace and any buck switch node.  |
| 3, 4, 5    | BUCK1_LX3,<br>BUCK1_LX2,<br>BUCK1_LX1    | Place the inductor close to the pins. Connect the pins together and to the inductor with short, wide copper, but keep the area small. Do not place sensitive signal traces (for example, feedback) near this copper on the same layer, or in the same area on inner layers unless shielded by the PGND plane. |
| 6, 7, 8    | BUCK1_VIN3,<br>BUCK1_VIN2,<br>BUCK1_VIN1 | Place input capacitors close to the pins and connect with short, wide copper.   |

| Pin Number | Pin Name                  | Layout Guideline  |
|------------|---------------------------|---|
| 9          | PGND                      | Connect the PGND pin directly to the top layer of copper under the exposed pad (EPAD). The PGND pin may also be connected to top layer copper - for example to nearby input capacitors for BUCK1  |
| 10         | BUCK1_FB                  | Run a dedicated trace to BUCK1 output capacitors. Connect directly to a capacitor but away from the main path of output current. Route the trace away from any noisy signals, switch nodes, or output inductors. Consider placing the trace such that the PGND plane is between the trace and any buck switch node.   |
| 11         | VPROG                     | Connect to PGND (if programming EEPROM is not required).  |
| 12         | BUCK3_FB                  | Run a dedicated trace to BUCK3 output capacitors. Connect directly to a capacitor but away from the main path of output current. Route the trace away from any noisy signals, switch nodes, or output inductors. Consider placing the trace such that the PGND plane is between the trace and any buck switch node.   |
| 13         | LDO_SEL2                  | Digital input pin. Should be isolated from the high di/dt and dv/dt signals to minimize any coupling. This signal should be placed on a quiet layer.  |
| 14         | BUCK3_VIN                 | Place input capacitors close to the pin and connect with short, wide copper.  |
| 15         | BUCK3_LX                  | Place the inductor close to the pin. Connect the pin to the inductor with short, wide copper, but keep the area small. Do not place sensitive signal traces (for example, feedback) near this copper on the same layer, or in the same area on inner layers unless shielded by the PGND plane.  |
| 16         | INT#                      | Digital output pin. Should be isolated from the high di/dt and dv/dt signals to minimize any coupling. This signal should be placed on a quiet layer.   |
| 17         | SCL                       | Digital input pins. Should be isolated from the high di/dt and dv/dt signals to minimize any coupling. These signals should be placed on a quiet layer. If not used, connect to VIO.  |
| 18         | SDA                       |   |
| 19         | LDO_SEL1                  | Digital input pin. Should be isolated from the high di/dt and dv/dt signals to minimize any coupling. This signal should be placed on a quiet layer.  |
| 20, 21     | BUCK4_LX2,<br>BUCK4_LX1   | Place the inductor close to the pins. Connect the pins to the inductor with short, wide copper, but keep the area small. Do not place sensitive signal traces (for example, feedback) near this copper on the same layer, or in the same area on inner layers unless shielded by the PGND plane.  |
| 22, 23     | BUCK4_VIN2,<br>BUCK4_VIN1 | Place input capacitors close to the pins and connect with short, wide copper.   |
| 24         | VIO                       | Place the decoupling capacitor close to the pin and connect with short, wide copper. Connect the other side of the capacitor to pin 26 (AGND) with short, wide copper.  |
| 25         | BUCK4_FB                  | Run a dedicated trace to BUCK4 output capacitors. Connect directly to a capacitor but away from the main path of output current. Route the trace away from any noisy signals, switch nodes, or output inductors. Consider placing the trace such that the PGND plane is between the trace and any buck switch node.   |
| 26, 42     | AGND                      | Analog ground (AGND) and power ground (PGND) of the IC should be separated on the board, but connected directly to EPAD.<br>To avoid unwanted noise coupling into the AGND plane, keep the plane localized to the area where AGND is required.  |
| 27         | XOUT                      | Avoid routing serial bus lines, any high-speed logic lines, high dv/dt, or di/dt signals in the vicinity of crystal pins. These can induce noise in the oscillator circuit causing misclocking. Add a ground trace around the crystal with one end terminated at the chip analog ground, providing termination for emitted noise in the vicinity of the RTC device. Avoid ground plane in the layer(s) under these pins, traces, and external crystal, as this affects the load capacitance on the pins and therefore, the oscillator accuracy of the circuit. Connect to ground if not used. |
| 28         | XIN                       |   |
| 29         | VRTC                      | When RTC is used, place a decoupling capacitor footprint close to the pin and connect with short, wide copper. Connect the other side of the capacitor footprint to AGND. This capacitor should be Do Not Populated by default.   |

| Pin Number | Pin Name                           | Layout Guideline  |
|------------|------------------------------------|---|
| 30         | VBAT                               | Connect to battery or supercapacitor with short trace.<br>Connect to PGND if not used.  |
| 31         | VCHG                               | AVDD, VCHG, and BUCKx_VINx must be the same voltage.<br>Place the decoupling capacitor close to the pin and connect with short, wide copper. Connect the other side of the capacitor to PGND.   |
| 32, 35, 36 | LDO1_OUT,<br>LDO2_OUT,<br>LDO3_OUT | Place decoupling capacitors close to their respective outputs and connect with wide traces.   |
| 33, 34, 37 | LDO1_VIN,<br>LDO2_VIN,<br>LDO3_VIN | Place decoupling capacitors close to their respective inputs and connect with wide traces.  |
| 38         | BUCK5_LX                           | Place the inductor close to the pin. Connect the pin to the inductor with short, wide copper, but keep the area small. Do not place sensitive signal traces (for example, feedback) near this copper on the same layer, or in the same area on inner layers unless shielded by the PGND plane.                      |
| 39         | BUCK5_VIN                          | Place input capacitors close to the pin and connect with short, wide copper.  |
| 40         | AVDD                               | AVDD, VCHG, and BUCKx_VINx must be the same voltage.<br>Place the decoupling capacitor close to the pin and connect with short, wide copper. Connect the other side of the capacitor to PGND.   |
| 41         | BUCK5_FB                           | Run a dedicated trace to BUCK5 output capacitors. Connect directly to a capacitor but away from the main path of output current. Route the trace away from any noisy signals, switch nodes, or output inductors. Consider placing the trace such that the PGND plane is between the trace and any buck switch node. |
| 43         | VREFIN                             | Place the decoupling capacitor close to the pin and connect with short, wide copper. Connect the other side of the capacitor to PGND.<br><i>Note:</i> Pin has a 1M $\Omega$ (typical) internal resistor to GND.   |
| 44         | VREFOUT                            | Place the decoupling capacitor close to the pin and connect with short, wide copper. Connect the other side of the capacitor to PGND.   |
| 45         | MPIO5                              | Digital input/output pin. Route trace away from any buck switch node. Consider placing the trace such that the PGND plane is between the trace and any buck switch node.  |
| 46         | BUCK6_FB                           | Run a dedicated trace to BUCK3 output capacitors. Connect directly to a capacitor but away from the main path of output current. Route the trace away from any noisy signals, switch nodes, or output inductors. Consider placing the trace such that the PGND plane is between the trace and any buck switch node. |
| 47         | CEN                                | Digital input pin. Route trace away from any buck switch node. Consider placing the trace such that the PGND plane is between the trace and any buck switch node.   |
| 48         | BUCK6_VIN                          | Place input capacitors close to the pin and connect with short, wide copper.  |
| 49         | BUCK6_LX                           | Place the inductor close to the pin. Connect the pin to the inductor with short, wide copper, but keep the area small. Do not place sensitive signal traces (for example, feedback) near this copper on the same layer, or in the same area on inner layers unless shielded by the PGND plane.                      |
| 50         | BUCK2_LX                           | Place the inductor close to the pin. Connect the pin to the inductor with short, wide copper, but keep the area small. Do not place sensitive signal traces (for example, feedback) near this copper on the same layer, or in the same area on inner layers unless shielded by the PGND plane.                      |
| 51         | BUCK2_VIN                          | Place input capacitors close to the pin and connect with short, wide copper.  |
| 52         | PWRON                              | Digital input pin. Should be isolated from the high di/dt and dv/dt signals to minimize any coupling. This signal should be placed on a quiet layer.  |

| Pin Number | Pin Name | Layout Guideline  |
|------------|----------|---|
| 53         | BUCK2_FB | Run a dedicated trace to BUCK2 output capacitors. Connect directly to a capacitor but away from the main path of output current. Route the trace away from any noisy signals, switch nodes, or output inductors. Consider placing the trace such that the PGND plane is between the trace and any buck switch node. |
| 54         | MPIO0    | Digital input/output pin. Route the trace away from any buck switch node. Consider placing the trace such that the PGND plane is between the trace and any buck switch node.  |
| 55         | MPIO1    | Digital input/output pin. Route the trace away from any buck switch node. Consider placing the trace such that the PGND plane is between the trace and any buck switch node.  |
| 56         | MPIO2    | Digital input/output pin. Route trace away from any buck switch node. Consider placing the trace such that the PGND plane is between the trace and any buck switch node.  |
| -          | EPAD     | Connect to PGND with matching shape. Connect to the GND layer using an array of equidistant vias to achieve better thermal performance.   |

## 12. Register Map

Any register addresses (pointers) not indicated in the following section, [Register Map Detail](#), are reserved and should not be used.

Register addresses 0x00 to 13 are read and write accessed using only the RTC Slave Address (set in register 0x1F).

All other register addresses are read and write accessed using the Main Slave Address (set in register 0x1E). See [7-bit Device Addresses](#).

### 12.1 Register Map Detail

| Register Pointer | Register Bit(s)                                   | Bit(s)/Function Name | Description                      | Setting/Range           | Default  |
|------------------|---|----------------------|----------------------------------|-------------------------|----------|
| 0x00             | Register Name - RTC SC<br>Type - (RW, Non EEPROM) |                      |                                  |                         | 0x00 / 0 |
|                  | [7]   | not used             |                                  |                         | <0>      |
|                  | [6]   | SC22                 | Set seconds (0-59) in BCD format | RTC SC[6:0] BCD decode: | <0>      |
|                  | [5]   | SC21                 |                                  | 0000000: 0sec           | <0>      |
|                  | [4]   | SC20                 |                                  | 0000001: 1sec           | <0>      |
|                  | [3]   | SC13                 |                                  | 0000010: 2sec           | <0>      |
|                  | [2]   | SC12                 |                                  | ...                     | <0>      |
|                  | [1]   | SC11                 |                                  | 0001001: 9sec           | <0>      |
|                  | [0]   | SC10                 |                                  | 0010000: 10sec          | <0>      |
|                  |   |                      |                                  | 0010001: 11sec          |          |
|                  |   | ...                  |                                  |                         |          |
|                  |   | 1010111: 57sec       |                                  |                         |          |
|                  |   | 1011000: 58sec       |                                  |                         |          |
|                  |   | 1011001: 59sec       |                                  |                         |          |

|      |   |  |   |          |  |  |
|------|---|--|---|----------|--|--|
| 0x01 | Register Name - RTC MN<br>Type - (RW, Non EEPROM) |  |   | 0x00 / 0 |  |  |
| [7]  | not used  |  |   | <0>      |  |  |
| [6]  | MN22  | Set minutes (0-59) in BCD format   | RTC MN[6:0] BCD decode:<br>0000000: 0min<br>0000001: 1min<br>0000010: 2min<br>...<br>0001001: 9min<br>0010000: 10min<br>0010001: 11min<br>...<br>1010111: 57min<br>1011000: 58min<br>1011001: 59min   | <0>      |  |  |
| [5]  | MN21  |  |   | <0>      |  |  |
| [4]  | MN20  |  |   | <0>      |  |  |
| [3]  | MN13  |  |   | <0>      |  |  |
| [2]  | MN12  |  |   | <0>      |  |  |
| [1]  | MN11  |  |   | <0>      |  |  |
| [0]  | MN10  |  |   | <0>      |  |  |
|      |   |  |   |          |  |  |
| 0x02 | Register Name - RTC HR<br>Type - (RW, Non EEPROM) |  |   | 0x00 / 0 |  |  |
| [7]  | MIL   | 12-hour or 24-hour format selection bit  | 0: 12-hour format<br>1: 24-hour format  | <0>      |  |  |
| [6]  | not used  |  |   | <0>      |  |  |
| [5]  | HR21  | Set hours in BCD format. If the MIL bit is "0", the RTC uses a 12-hour format and HR21 bit functions as an AM/PM indicator with a "1" representing PM. | If MIL = 1<br>RTC HR[5:0] decodes for 24-hour format:<br>000000: 0hr<br>000001: 1hr<br>...<br>001001: 9hr<br>010000: 10hr<br>...<br>011001: 19hr<br>100000: 20hr<br>...<br>100011: 23hr<br>If MIL = 0<br>RTC HR[4:0] decodes for 12-hour format with RTC HR [5] indicating AM/PM:<br>00000: INVALID<br>00001: 1 AM/PM<br>00010: 2 AM/PM<br>...<br>01001: 9 AM/PM<br>10000: 10 AM/PM<br>10001: 11 AM/PM<br>10010: 12 AM/PM | <0>      |  |  |
| [4]  | HR20  |  |   | <0>      |  |  |
| [3]  | HR13  |  |   | <0>      |  |  |
| [2]  | HR12  |  |   | <0>      |  |  |
| [1]  | HR11  |  |   | <0>      |  |  |
| [0]  | HR10  |  |   | <0>      |  |  |
|      |   |  |   |          |  |  |

|   |   |   |  |   |
|---|---|---|--|---|
| 0x03  | Register Name - RTC DT<br>Type - (RW, Non EEPROM) |   |  | 0x01 / 1  |
|   | [7:6]   | not used  |  | <00>  |
|   | [5]   | DT21  | Set date (1-31) in BCD format<br>To maintain correct month and date registers, the host must force the RTC MO and RTC DT registers to the correct values in specific years. See the Clock and Calendar Registers [Address 0x00 to 0x06] section for details. | RTC DT[5:0] BCD decode:<br><0>  |
|   | [4]   | DT20  |  | 000000: INVALID<br><0>  |
|   | [3]   | DT13  |  | 000001: date 1<br><0>   |
|   | [2]   | DT12  |  | 000010: date 2<br><0>   |
|   | [1]   | DT11  |  | ...<br><0>  |
|   | [0]   | DT10  |  | 001001: date 9<br>010000: date 10<br>...<br>011001: date 19<br>100000: date 20<br>...<br>101001: date 29<br>110000: date 30<br>110001: date 31<br><1> |
| Register Name - RTC MO<br>Type - (RW, Non EEPROM) |   |   |  | 0x01 / 1  |
| [7:5]   | not used  |   | <000>  |   |
| [4]   | MO20  | Set month (1-12) in BCD format<br>To maintain correct month and date registers, the host must force the RTC MO and RTC DT registers to the correct values in specific years. See the Clock and Calendar Registers [Address 0x00 to 0x06] section for details. | RTC MO[4:0] BCD decode:<br><0>   |   |
| [3]   | MO13  |   | 000000: INVALID<br><0>   |   |
| [2]   | MO12  |   | 000001: 1st month (Jan)<br><0>   |   |
| [1]   | MO11  |   | 000010: 2nd month (Feb)<br><0>   |   |
| [0]   | MO10  |   | 000011: 3rd month (Mar)<br>...<br>01001: 9th month (Sep)<br>10000: 10th month (Oct)<br>10001: 11th month (Nov)<br>10010: 12th month (Dec)<br><1>   |   |
| Register Name - RTC YR<br>Type - (RW, Non EEPROM) |   |   | 0x00 / 0   |   |
| [7]   | YR23  |   | Set year (0-99) in BCD format  | RTC YR[7:0] decodes:<br><0>   |
| [6]   | YR22  | 0000 0000: 0th year<br><0>  |  |   |
| [5]   | YR21  | 0000 0001: 1st year<br><0>  |  |   |
| [4]   | YR20  | ...<br><0>  |  |   |
| [3]   | YR13  | 0001 0000: 10th year<br><0>   |  |   |
| [2]   | YR12  | 0001 0001: 11th year<br><0>   |  |   |
| [1]   | YR11  | ...<br><0>  |  |   |
| [0]   | YR10  | 1000 0000: 80th year<br>1000 0001: 81st year<br>...<br>1001 1000: 98th year<br>1001 1001: 99th year<br><0>  |  |   |
| 0x06  | Register Name - RTC DW<br>Type - (RW, Non EEPROM) |   |  | 0x00 / 0  |
|   | [7:3]   | not used  |  | <00000>   |
|   | [2]   | DW2   | Set day of the week (1-7)  | RTC DW[2:0] decodes:<br><0>   |
|   | [1]   | DW1   |  | 000: 1st day of the week<br><0>   |
|   | [0]   | DW0   |  | 001: 2nd day of the week<br>010: 3rd day of the week<br>...<br>110: 7th day of the week<br><0>  |



|       |  |  |   |           |
|-------|--|--|---|-----------|
| 0x07  | Register Name - RTC SR<br>Type - (RW, Non EEPROM)  |  |   | 0x01 / 1  |
| [7]   | ARST   | Auto reset enable bit  | 0: Disable the automatic reset of the BAT and ALM status bits only<br>1: Enable the automatic reset of the BAT and ALM status bits only   | <0>       |
| [6]   | XTOSCB   | Internal crystal oscillator enable bit. XTOSCB needs to be set to '0' when external crystal is used. XTOSCB needs to be set to '1' when external 32kHz clock signal is applied at XIN pin. | 0: Enable internal crystal oscillator<br>1: Disable internal crystal oscillator   | <0>       |
| [5]   | not used   |  |   | <0>       |
| [4]   | WRTC   | Write RTC enable bit   | 0: Disable write capability into the RTC timing registers<br>1: Enable write capability into the RTC timing registers   | <0>       |
| [3]   | not used   |  |   | <0>       |
| [2]   | ALM  | Alarm bit  | 0: Alarm doesn't match the real time clock<br>1: Alarm matches the real time clock  | <0>       |
| [1]   | BAT  | Battery bit  | 0: No battery<br>1: Battery backup mode   | <0>       |
| [0]   | RTCF   | Real time clock fail bit   | 0: OK (normal)<br>1: RTC failure  | <1>       |
| 0x08  | Register Name - RTC INT<br>Type - (RW, Non EEPROM) |  |   | 0x10 / 16 |
| [7]   | IM   | Interrupt/alarm mode bit   | 0: Enable single event alarm mode<br>1: Enable periodic interrupt alarm mode  | <0>       |
| [6]   | ALME   | Alarm enable bit   | 0: Disable the alarm function<br>1: Enable the alarm function   | <0>       |
| [5]   | LPMODE   | Oscillator bias current control bit  | 0: Normal oscillator bias current<br>1: Reduced oscillator bias current   | <0>       |
| [4]   | FOBATB   | Enable/disable the FOUT/IRQ function in battery backup mode  | 0: Disable the FOUT/IRQ function in battery backup mode<br>1: Enable the FOUT/IRQ function in battery backup mode   | <1>       |
| [3:0] | FO   | Enable/disable the frequency output function and select the output frequency at the INT# pin   | 0000: 0Hz<br>0001: 32768Hz<br>0010: 4096Hz<br>0011: 1024Hz<br>0100: 64Hz<br>0101: 32Hz<br>0110: 16Hz<br>0111: 8Hz<br>1000: 4Hz<br>1001: 2Hz<br>1010: 1Hz<br>1011: 1/2Hz<br>1100: 1/4Hz<br>1101: 1/8Hz<br>1110: 1/16Hz<br>1111: 1/32Hz | <0000>    |
| 0x09  | Reserved for Renesas Internal Use                  |  |   |           |

|       |  |   |  |          |
|-------|--|---|--|----------|
| 0x0A  | Register Name - RTC ATR<br>Type - (RW, Non EEPROM) |   |  | 0x00 / 0 |
| [7:6] | BMATR  | Battery mode ATR selection. Adjust the on-chip capacitance when the RTC power source switches between VCHG and VBAT                                   | 00: 0pF<br>01: -0.5pF<br>10: +0.5pF<br>11: 1pF   | <00>     |
| [5:0] | ATR  | Adjust the on-chip load capacitance value for frequency compensation of the RTC   | $C_{load} = [16 \times (\sim ATR[5]) + 8 \times ATR[4] + 4 \times ATR[3] + 2 \times ATR[2] + 1 \times ATR[1] + 0.5 \times ATR[0] + 9]/2$ (pF)<br>RTC ATR[5:0] decode:<br>000000 : 12.5pF<br>000001 : 12.75pF<br>000010 : 13.0pF<br>...<br>011110 : 20.0pF<br>011111 : 20.25pF<br>100000 : 4.5pF<br>100001 : 4.75pF<br>...<br>111101 : 11.75pF<br>111110 : 12.0pF<br>111111 : 12.25pF | <000000> |
| 0x0B  | Register Name - RTC DTR<br>Type - (RW, Non EEPROM) |   |  | 0x00 / 0 |
| [7:3] | not used   |   |  | <00000>  |
| [2:0] | DTR  | Adjust the average number of counts per second and average the ppm error to achieve better accuracy   | 000: 0ppm<br>001: +20ppm<br>010: +40ppm<br>011: +60ppm<br>100: 0ppm<br>101: -20ppm<br>110: -40ppm<br>111: -60ppm   | <000>    |
| 0x0C  | Register Name - RTC SCA<br>Type - (RW, Non EEPROM) |   |  | 0x00 / 0 |
| [7]   | ESCA   | Enable or disable alarm register bytes for seconds  | 0: Disable the alarm register bytes for seconds<br>1: Enable the alarm register bytes for seconds  | <0>      |
| [6]   | ASC22  | Set alarm seconds (0-59) in BCD format. The alarm will be triggered once a match occurs between the alarm registers and the RTC registers for seconds | RTC ASC[6:0] BCD decode:<br>0000000: 0sec<br>0000001: 1sec<br>0000010: 2sec<br>...<br>0001001: 9sec<br>0010000: 10sec<br>0010001: 11sec<br>...<br>1010111: 57sec<br>1011000: 58sec<br>1011001: 59sec   | <0>      |
| [5]   | ASC21  |   |  | <0>      |
| [4]   | ASC20  |   |  | <0>      |
| [3]   | ASC13  |   |  | <0>      |
| [2]   | ASC12  |   |  | <0>      |
| [1]   | ASC11  |   |  | <0>      |
| [0]   | ASC10  |   |  | <0>      |

|      |  |   |   |          |
|------|--|---|---|----------|
| 0x0D | Register Name - RTC MNA<br>Type - (RW, Non EEPROM) |   |   | 0x00 / 0 |
| [7]  | EMNA   | Enable or disable alarm register bytes for minutes  | 0: Disable the alarm register bytes for minutes<br>1: Enable the alarm register bytes for minutes   | <0>      |
| [6]  | AMN22  | Set alarm minutes (0-59) in BCD format. The alarm will be triggered once a match occurs between the alarm registers and the RTC registers for minutes   | RTC AMN[6:0] BCD decode:<br>0000000: 0min<br>0000001: 1min<br>0000010: 2min<br>...<br>0001001: 9min<br>0010000: 10min<br>0010001: 11min<br>...<br>1010111: 57min<br>1011000: 58min<br>1011001: 59min  | <0>      |
| [5]  | AMN21  |   |   | <0>      |
| [4]  | AMN20  |   |   | <0>      |
| [3]  | AMN13  |   |   | <0>      |
| [2]  | AMN12  |   |   | <0>      |
| [1]  | AMN11  |   |   | <0>      |
| [0]  | AMN10  |   |   | <0>      |
| 0x0E | Register Name - RTC HRA<br>Type - (RW, Non EEPROM) |   |   | 0x00 / 0 |
| [7]  | EHRA   | Enable or disable alarm register bytes for hours  | 0: Disable the alarm register bytes for hours<br>1: Enable the alarm register bytes for hours   | <0>      |
| [6]  | not used   |   |   | <0>      |
| [5]  | AHR21  | Set hours in BCD format. If the MIL bit is "0", the RTC uses a 12-hour format and AHR21 bit functions as an AM/PM indicator with a "1" representing PM. The alarm will be triggered once a match occurs between the alarm registers and the RTC registers for hours | If MIL = 1<br>RTC AHR[5:0] decodes for 24-hour format:<br>000000: 0hr<br>000001: 1hr<br>...<br>001001: 9hr<br>010000: 10hr<br>...<br>011001: 19hr<br>100000: 20hr<br>...<br>100011: 23hr<br><br>If MIL = 0<br>RTC AHR[4:0] decodes for 12-hour format with RTC AHR[5] indicating AM/PM:<br>00000: INVALID<br>00001: 1 AM/PM<br>00010: 2 AM/PM<br>...<br>01001: 9 AM/PM<br>10000: 10 AM/PM<br>10001: 11 AM/PM<br>10010: 12 AM/PM | <0>      |
| [4]  | AHR20  |   |   | <0>      |
| [3]  | AHR13  |   |   | <0>      |
| [2]  | AHR12  |   |   | <0>      |
| [1]  | AHR11  |   |   | <0>      |
| [0]  | AHR10  |   |   | <0>      |

|       |  |  |  |  |   |     |
|-------|--|--|--|--|---|-----|
| 0x0F  | Register Name - RTC DTA<br>Type - (RW, Non EEPROM) |  |  | 0x00 / 0   |   |     |
| [7]   | EDTA   | Enable or disable alarm register bytes for date  | 0: Disable the alarm register bytes for date<br>1: Enable the alarm register bytes for date  | <0>  |   |     |
| [6]   | not used   |  |  | <0>  |   |     |
| [5]   | ADT21  | Set alarm date (1-31) in BCD format. The alarm will be triggered once a match occurs between the alarm registers and the RTC registers for date        | RTC ADT[5:0] BCD decode:<br>000000: INVALID<br>000001: date 1<br>000010: date 2<br>...<br>001001: date 9<br>010000: date 10<br>...<br>011001: date 19<br>100000: date 20<br>...<br>101001: date 29<br>110000: date 30<br>110001: date 31   | <0>  |   |     |
| [4]   | ADT20  |  |  | <0>  |   |     |
| [3]   | ADT13  |  |  | <0>  |   |     |
| [2]   | ADT12  |  |  | <0>  |   |     |
| [1]   | ADT11  |  |  | <0>  |   |     |
| [0]   | ADT10  |  |  | <0>  |   |     |
| 0x10  | Register Name - RTC MOA<br>Type - (RW, Non EEPROM) |  |  | 0x00 / 0   |   |     |
| [7]   | EMOA   | Enable or disable alarm register bytes for month   | 0: Disable the alarm register bytes for month<br>1: Enable the alarm register bytes for month  | <0>  |   |     |
| [6:5] | not used   |  |  | <00>   |   |     |
| [4]   | AMO20  | Set alarm month (1-12) in BCD format. The alarm will be triggered once a match occurs between the alarm registers and the RTC registers for month      | RTC AMO[4:0] BCD decode:<br>00000: INVALID<br>00001: 1st month (Jan)<br>00010: 2nd month (Feb)<br>00011: 3rd month (Mar)<br>...<br>01001: 9th month (Sep)<br>10000: 10th month (Oct)<br>10001: 11th month (Nov)<br>10010: 12th month (Dec) | <0>  |   |     |
| [3]   | AMO13  |  |  | <0>  |   |     |
| [2]   | AMO12  |  |  | <0>  |   |     |
| [1]   | AMO11  |  |  | <0>  |   |     |
| [0]   | AMO10  |  |  | <0>  |   |     |
| 0x11  | Register Name - RTC DWA<br>Type - (RW, Non EEPROM) |  |  | 0x00 / 0   |   |     |
| [7]   | EDWA   |  |  | Enable or disable alarm register bytes for day of the week | 0: Disable the alarm register bytes for day of the week<br>1: Enable the alarm register bytes for day of the week | <0> |
| [6:3] | not used   |  |  | <0000>   |   |     |
| [2]   | ADW12  | Set alarm day of the week (1-7). The alarm will be triggered once a match occurs between the alarm registers and the RTC registers for day of the week | RTC ADW[2:0] decodes:<br>000: 1st day of the week<br>001: 2nd day of the week<br>010: 3rd day of the week<br>...<br>110: 7th day of the week   | <0>  |   |     |
| [1]   | ADW11  |  |  | <0>  |   |     |
| [0]   | ADW10  |  |  | <0>  |   |     |

|      |   |                     |   |           |
|------|---|---------------------|---|-----------|
| 0x12 | Register Name - RTC USR1<br>Type - (RW, Non EEPROM)       |                     |   | 0x00 / 0  |
|      | [7]   | USR17               | Battery-backed user memory storage  | <0>       |
|      | [6]   | USR16               |   | <0>       |
|      | [5]   | USR15               |   | <0>       |
|      | [4]   | USR14               |   | <0>       |
|      | [3]   | USR13               |   | <0>       |
|      | [2]   | USR12               |   | <0>       |
|      | [1]   | USR11               |   | <0>       |
|      | [0]   | USR10               |   | <0>       |
| 0x13 | Register Name - RTC USR2<br>Type - (RW, Non EEPROM)       |                     |   | 0x00 / 0  |
|      | [7]   | USR27               | Battery-backed user memory storage  | <0>       |
|      | [6]   | USR26               |   | <0>       |
|      | [5]   | USR25               |   | <0>       |
|      | [4]   | USR24               |   | <0>       |
|      | [3]   | USR23               |   | <0>       |
|      | [2]   | USR22               |   | <0>       |
|      | [1]   | USR21               |   | <0>       |
|      | [0]   | USR20               |   | <0>       |
| 0x1E | Register Name - Main Slave Address<br>Type - (RW, EEPROM) |                     |   | 0x00 / 0  |
|      | [7]   | not used            |   | <0>       |
|      | [6:0]   | Main Slave Addr     | Set the 7-bit main I2C slave address<br>0000000: slave address 0x12<br>0000001: slave address 0x01<br>0000010: slave address 0x02<br>...<br>1111111: slave address 0x7F | <0000000> |
| 0x1F | Register Name - RTC Slave Address<br>Type - (RW, EEPROM)  |                     |   | 0x00 / 0  |
|      | [7]   | not used            |   | <0>       |
|      | [6:0]   | RTC Slave Addr      | Set the 7-bit RTC I2C slave address<br>0000000: slave address 0x6F<br>0000001: slave address 0x01<br>0000010: slave address 0x02<br>...<br>1111111: slave address 0x7F  | <0000000> |
| 0x20 | Register Name - Buck1 Enable<br>Type - (RW, EEPROM)       |                     |   | 0x07 / 7  |
|      | [7:5]   | not used            |   | <000>     |
|      | [4]   | Buck1 Phase Sync EN | Enable Buck1 Phase Synchronization function<br>0: Disabled<br>1: Enabled  | <0>       |
|      | [3]   | Buck1 SS EN         | Enable Buck1 PFM Spread Spectrum function in PFM mode<br>0: Disabled<br>1: Enabled  | <0>       |
|      | [2]   | Buck1 ABS EN        | Enable Buck1 ABS (Ultrasonic) mode<br>0: Disabled<br>1: Enabled   | <1>       |
|      | [1]   | Buck1 EN SLEEP      | Enable Buck1 in SLEEP state<br>0: Disabled<br>1: Enabled  | <1>       |
|      | [0]   | Buck1 EN ACTIVE     | Enable Buck1 in ACTIVE state<br>0: Disabled<br>1: Enabled   | <1>       |

|      |  |                       |  |  |
|------|--|-----------------------|--|--|
| 0x21 | Register Name - Buck1 ACTIVE<br>Type - (RW, EEPROM)    |                       |  | 0x06 / 6   |
|      | [7:6]  | not used              |  | <00>   |
|      | [5:4]  | Buck1 Mode ACTIVE     | Set Buck1 operation mode in ACTIVE state             | 00: Auto PFM/PWM mode<br>01: Forced PWM mode<br>1x: Reserved                     |
|      | [3:0]  | Buck1 Vo ACTIVE       | Set Buck1 output voltage in ACTIVE state             | 4'b0000 - 4'b1110: Buck1 = 0.8V + 0.05V x Buck1_Vo_ACTIVE[3:0]<br>4'b1111: 1.03V |
| 0x22 | Register Name - Buck1 SLEEP<br>Type - (RW, EEPROM)     |                       |  | 0x06 / 6   |
|      | [7:6]  | not used              |  | <00>   |
|      | [5:4]  | Buck1 Mode SLEEP      | Set Buck1 operation mode in SLEEP state              | 00: Auto PFM/PWM mode<br>01: Forced PWM mode<br>1x: Reserved                     |
|      | [3:0]  | Buck1 Vo SLEEP        | Set Buck1 output voltage in SLEEP state              | 4'b0000 - 4'b1110: Buck1 = 0.8V + 0.05V x Buck1_Vo_SLEEP[3:0]<br>4'b1111: 1.03V  |
| 0x23 | Register Name - Buck1 Power On<br>Type - (RW, EEPROM)  |                       |  | 0x02 / 2   |
|      | [7]  | not used              |  | <0>  |
|      | [6:0]  | Buck1 Power On Delay  | Delay timed from the beginning of power-on sequence  | 0: 0ms<br>1: 1ms<br>...<br>127: 127ms  |
| 0x24 | Register Name - Buck1 Power Off<br>Type - (RW, EEPROM) |                       |  | 0x3C / 60  |
|      | [7]  | not used              |  | <0>  |
|      | [6:0]  | Buck1 Power Off Delay | Delay timed from the beginning of power-off sequence | 0: 0ms<br>1: 1ms<br>...<br>127: 127ms  |

|      |   |                        |   |  |       |
|------|---|------------------------|---|--|-------|
| 0x25 | Register Name - Buck1 SR<br>Type - (RW, EEPROM)     |                        |   | 0x5A / 90  |       |
|      | [7:6]   | Buck1 TSoftStart       | Set Buck1 soft-start time   | 00: 4ms<br>01: 2ms<br>10: 1ms<br>11: 0.5ms   | <01>  |
|      | [5:4]   | Buck1 TShutDown        | Set Buck1 shutdown period.<br>Note: this setting sets the Shut Down SR when Shutdown Option Buck is set to 2'b00, 2'b01 or 2'b10. In addition, when CEN goes from high to low, the shutdown period starts to count from the time when the last rail is turned off. At the end of the shutdown period the FSM transitions to {STANDBY} then onward to {RESET}. | 00: 4ms<br>01: 2ms<br>10: 1ms<br>11: 0.5ms   | <01>  |
|      | [3:2]   | Buck1 DVS SRup         | Set Buck1 output ramp-up slew rate  | 00: 2mV/μs<br>01: 4mV/μs<br>10: 8mV/μs<br>11: 16mV/μs  | <10>  |
|      | [1:0]   | Buck1 DVS SRdn         | Set Buck1 output ramp-down slew rate  | 00: 2mV/μs<br>01: 4mV/μs<br>10: 8mV/μs<br>11: 16mV/μs  | <10>  |
| 0x26 | Register Name - Buck1 Config<br>Type - (RW, EEPROM) |                        |   | 0x12 / 18  |       |
|      | [7]   | not used               |   | <0>  |       |
|      | [6:5]   | Buck1 Phase Sync Delay | Set Buck1 phase shift relative to the internal clock when Buck1 Phase Sync EN is enabled  | 00: 0deg<br>01: 90deg<br>10: 180deg<br>11: 270deg  | <00>  |
|      | [4:2]   | Buck1 SW Freq          | Set Buck1 switching frequency when in PWM operation   | 000: 0.667MHz<br>001: 0.769MHz<br>010: 0.833MHz<br>011: 1MHz<br>100: 1.11MHz<br>101: 1.33MHz<br>110: 1.54MHz<br>111: 1.67MHz | <100> |
|      | [1:0]   | Buck1 Discharge        | Set Buck1 output discharge resistance   | 00: Disabled<br>01: Slow<br>10: Medium<br>11: Fast   | <10>  |
| 0x27 | Register Name - Buck2 Enable<br>Type - (RW, EEPROM) |                        |   | 0x07 / 7   |       |
|      | [7:5]   | not used               |   | <000>  |       |
|      | [4]   | Buck2 Phase Sync EN    | Enable Buck2 Phase Synchronization function   | 0: Disabled<br>1: Enabled  | <0>   |
|      | [3]   | Buck2 SS EN            | Enable Buck2 PFM Spread Spectrum function in PFM mode   | 0: Disabled<br>1: Enabled  | <0>   |
|      | [2]   | Buck2 ABS EN           | Enable Buck2 ABS (Ultrasonic) mode  | 0: Disabled<br>1: Enabled  | <1>   |
|      | [1]   | Buck2 EN SLEEP         | Enable Buck2 in SLEEP state   | 0: Disabled<br>1: Enabled  | <1>   |
|      | [0]   | Buck2 EN ACTIVE        | Enable Buck2 in ACTIVE state  | 0: Disabled<br>1: Enabled  | <1>   |

|      |  |                       |  |  |
|------|--|-----------------------|--|--|
| 0x28 | Register Name - Buck2 ACTIVE<br>Type - (RW, EEPROM)    |                       |  | 0x02 / 2   |
|      | [7:6]  | not used              |  | <00>   |
|      | [5:4]  | Buck2 Mode ACTIVE     | Set Buck2 operation mode in ACTIVE state             | 00: Auto PFM/PWM mode<br>01: Forced PWM mode<br>1x: Reserved |
|      | [3:0]  | Buck2 Vo ACTIVE       | Set Buck2 output voltage in ACTIVE state             | Buck2 = 1.1V + 0.05V x<br>Buck2_Vo_ACTIVE[3:0]               |
| 0x29 | Register Name - Buck2 SLEEP<br>Type - (RW, EEPROM)     |                       |  | 0x02 / 2   |
|      | [7:6]  | not used              |  | <00>   |
|      | [5:4]  | Buck2 Mode SLEEP      | Set Buck2 operation mode in SLEEP state              | 00: Auto PFM/PWM mode<br>01: Forced PWM mode<br>1x: Reserved |
|      | [3:0]  | Buck2 Vo SLEEP        | Set Buck2 output voltage in SLEEP state              | Buck2 = 1.1V + 0.05V x<br>Buck2_Vo_SLEEP[3:0]                |
| 0x2A | Register Name - Buck2 Power On<br>Type - (RW, EEPROM)  |                       |  | 0x03 / 3   |
|      | [7]  | not used              |  | <0>  |
|      | [6:0]  | Buck2 Power On Delay  | Delay timed from the beginning of power-on sequence  | 0: 0ms<br>1: 1ms<br>...<br>127: 127ms                        |
|      |  |                       |  | <0000011>  |
| 0x2B | Register Name - Buck2 Power Off<br>Type - (RW, EEPROM) |                       |  | 0x3B / 59  |
|      | [7]  | not used              |  | <0>  |
|      | [6:0]  | Buck2 Power Off Delay | Delay timed from the beginning of power-off sequence | 0: 0ms<br>1: 1ms<br>...<br>127: 127ms                        |
|      |  |                       |  | <0111011>  |



|      |   |                        |   |  |       |
|------|---|------------------------|---|--|-------|
| 0x2C | Register Name - Buck2 SR<br>Type - (RW, EEPROM)     |                        |   | 0x5A / 90  |       |
|      | [7:6]   | Buck2 TSoftStart       | Set Buck2 soft-start time   | 00: 4ms<br>01: 2ms<br>10: 1ms<br>11: 0.5ms   | <01>  |
|      | [5:4]   | Buck2 TShutDown        | Set Buck2 shutdown period.<br>Note: this setting sets the Shut Down SR when Shutdown Option Buck is set to 2'b00, 2'b01 or 2'b10. In addition, when CEN goes from high to low, the shutdown period starts to count from the time when the last rail is turned off. At the end of the shutdown period the FSM transitions to {STANDBY} then onward to {RESET}. | 00: 4ms<br>01: 2ms<br>10: 1ms<br>11: 0.5ms   | <01>  |
|      | [3:2]   | Buck2 DVS SRup         | Set Buck2 output ramp-up slew rate  | 00: 2mV/μs<br>01: 4mV/μs<br>10: 8mV/μs<br>11: 16mV/μs  | <10>  |
|      | [1:0]   | Buck2 DVS SRdn         | Set Buck2 output ramp-down slew rate  | 00: 2mV/μs<br>01: 4mV/μs<br>10: 8mV/μs<br>11: 16mV/μs  | <10>  |
| 0x2D | Register Name - Buck2 Config<br>Type - (RW, EEPROM) |                        |   | 0x06 / 6   |       |
|      | [7]   | not used               |   | <0>  |       |
|      | [6:5]   | Buck2 Phase Sync Delay | Set Buck2 phase shift relative to the internal clock when Buck1 Phase Sync EN is enabled  | 00: 0deg<br>01: 90deg<br>10: 180deg<br>11: 270deg  | <00>  |
|      | [4:2]   | Buck2 SW Freq          | Set Buck2 switching frequency when in PWM operation   | 000: 0.667MHz<br>001: 0.769MHz<br>010: 0.833MHz<br>011: 1MHz<br>100: 1.11MHz<br>101: 1.33MHz<br>110: 1.54MHz<br>111: 1.67MHz | <001> |
|      | [1:0]   | Buck2 Discharge        | Set Buck2 output discharge resistance   | 00: Disabled<br>01: Slow<br>10: Medium<br>11: Fast   | <10>  |
| 0x2E | Register Name - Buck3 Enable<br>Type - (RW, EEPROM) |                        |   | 0x07 / 7   |       |
|      | [7:5]   | not used               |   | <000>  |       |
|      | [4]   | Buck3 Phase Sync EN    | Enable Buck3 Phase Synchronization function   | 0: Disabled<br>1: Enabled  | <0>   |
|      | [3]   | Buck3 SS EN            | Enable Buck3 PFM Spread Spectrum function in PFM mode   | 0: Disabled<br>1: Enabled  | <0>   |
|      | [2]   | Buck3 ABS EN           | Enable Buck3 ABS (Ultrasonic) mode  | 0: Disabled<br>1: Enabled  | <1>   |
|      | [1]   | Buck3 EN SLEEP         | Enable Buck3 in SLEEP state   | 0: Disabled<br>1: Enabled  | <1>   |
|      | [0]   | Buck3 EN ACTIVE        | Enable Buck3 in ACTIVE state  | 0: Disabled<br>1: Enabled  | <1>   |

|      |  |                       |  |  |
|------|--|-----------------------|--|--|
| 0x2F | Register Name - Buck3 ACTIVE<br>Type - (RW, EEPROM)    |                       |  | 0x00 / 0   |
|      | [7:6]  | not used              |  | <00>   |
|      | [5:4]  | Buck3 Mode ACTIVE     | Set Buck3 operation mode in ACTIVE state             | 00: Auto PFM/PWM mode<br>01: Forced PWM mode<br>1x: Reserved |
|      | [3:0]  | Buck3 Vo ACTIVE       | Set Buck3 output voltage in ACTIVE state             | Buck3 = 1.8V + 0.1V x<br>Buck3_Vo_ACTIVE[3:0]                |
| 0x30 | Register Name - Buck3 SLEEP<br>Type - (RW, EEPROM)     |                       |  | 0x00 / 0   |
|      | [7:6]  | not used              |  | <00>   |
|      | [5:4]  | Buck3 Mode SLEEP      | Set Buck3 operation mode in SLEEP state              | 00: Auto PFM/PWM mode<br>01: Forced PWM mode<br>1x: Reserved |
|      | [3:0]  | Buck3 Vo SLEEP        | Set Buck3 output voltage in SLEEP state              | Buck3 = 1.8V + 0.1V x<br>Buck3_Vo_SLEEP[3:0]                 |
| 0x31 | Register Name - Buck3 Power On<br>Type - (RW, EEPROM)  |                       |  | 0x02 / 2   |
|      | [7]  | not used              |  | <0>  |
|      | [6:0]  | Buck3 Power On Delay  | Delay timed from the beginning of power-on sequence  | 0: 0ms<br>1: 1ms<br>...<br>127: 127ms                        |
|      |  |                       |  | <0000010>  |
| 0x32 | Register Name - Buck3 Power Off<br>Type - (RW, EEPROM) |                       |  | 0x3C / 60  |
|      | [7]  | not used              |  | <0>  |
|      | [6:0]  | Buck3 Power Off Delay | Delay timed from the beginning of power-off sequence | 0: 0ms<br>1: 1ms<br>...<br>127: 127ms                        |
|      |  |                       |  | <0111100>  |

|      |   |                        |   |  |       |
|------|---|------------------------|---|--|-------|
| 0x33 | Register Name - Buck3 SR<br>Type - (RW, EEPROM)     |                        |   | 0x5A / 90  |       |
|      | [7:6]   | Buck3 TSoftStart       | Set Buck3 soft-start time   | 00: 4ms<br>01: 2ms<br>10: 1ms<br>11: 0.5ms   | <01>  |
|      | [5:4]   | Buck3 TShutDown        | Set Buck3 shutdown period.<br>Note: this setting sets the Shut Down SR when Shutdown Option Buck is set to 2'b00, 2'b01 or 2'b10. In addition, when CEN goes from high to low, the shutdown period starts to count from the time when the last rail is turned off. At the end of the shutdown period the FSM transitions to {STANDBY} then onward to {RESET}. | 00: 4ms<br>01: 2ms<br>10: 1ms<br>11: 0.5ms   | <01>  |
|      | [3:2]   | Buck3 DVS SRup         | Set Buck3 output ramp-up slew rate  | 00: 2mV/μs<br>01: 4mV/μs<br>10: 8mV/μs<br>11: 16mV/μs  | <10>  |
|      | [1:0]   | Buck3 DVS SRdn         | Set Buck3 output ramp-down slew rate  | 00: 2mV/μs<br>01: 4mV/μs<br>10: 8mV/μs<br>11: 16mV/μs  | <10>  |
| 0x34 | Register Name - Buck3 Config<br>Type - (RW, EEPROM) |                        |   | 0x1A / 26  |       |
|      | [7]   | not used               |   | <0>  |       |
|      | [6:5]   | Buck3 Phase Sync Delay | Set Buck3 phase shift relative to the internal clock when Buck1 Phase Sync EN is enabled  | 00: 0deg<br>01: 90deg<br>10: 180deg<br>11: 270deg  | <00>  |
|      | [4:2]   | Buck3 SW Freq          | Set Buck3 switching frequency when in PWM operation   | 000: 0.667MHz<br>001: 0.769MHz<br>010: 0.833MHz<br>011: 1MHz<br>100: 1.11MHz<br>101: 1.33MHz<br>110: 1.54MHz<br>111: 1.67MHz | <110> |
|      | [1:0]   | Buck3 Discharge        | Set Buck3 output discharge resistance   | 00: Disabled<br>01: Slow<br>10: Medium<br>11: Fast   | <10>  |
| 0x35 | Register Name - Buck4 Enable<br>Type - (RW, EEPROM) |                        |   | 0x07 / 7   |       |
|      | [7:5]   | not used               |   | <000>  |       |
|      | [4]   | Buck4 Phase Sync EN    | Enable Buck4 Phase Synchronization function   | 0: Disabled<br>1: Enabled  | <0>   |
|      | [3]   | Buck4 SS EN            | Enable Buck4 PFM Spread Spectrum function in PFM mode   | 0: Disabled<br>1: Enabled  | <0>   |
|      | [2]   | Buck4 ABS EN           | Enable Buck4 ABS (Ultrasonic) mode  | 0: Disabled<br>1: Enabled  | <1>   |
|      | [1]   | Buck4 EN SLEEP         | Enable Buck4 in SLEEP state   | 0: Disabled<br>1: Enabled  | <1>   |
|      | [0]   | Buck4 EN ACTIVE        | Enable Buck4 in ACTIVE state  | 0: Disabled<br>1: Enabled  | <1>   |

|      |  |                       |  |  |
|------|--|-----------------------|--|--|
| 0x36 | Register Name - Buck4 ACTIVE<br>Type - (RW, EEPROM)    |                       |  | 0x0F / 15  |
|      | [7:6]  | not used              |  | <00>   |
|      | [5:4]  | Buck4 Mode ACTIVE     | Set Buck4 operation mode in ACTIVE state             | 00: Auto PFM/PWM mode<br>01: Forced PWM mode<br>1x: Reserved   |
|      | [3:0]  | Buck4 Vo ACTIVE       | Set Buck4 output voltage in ACTIVE state             | Codes 0-8 decimal<br>Vo= 0.8V + 0.05V x Buck4_Vo_ACTIVE[3:0]<br>Codes 9-15 decimal<br>Vo= 1.5, 1.6, 1.8, 1.85, 2.2, 2.5, 3.3 |
| 0x37 | Register Name - Buck4 SLEEP<br>Type - (RW, EEPROM)     |                       |  | 0x0F / 15  |
|      | [7:6]  | not used              |  | <00>   |
|      | [5:4]  | Buck4 Mode SLEEP      | Set Buck4 operation mode in SLEEP state              | 00: Auto PFM/PWM mode<br>01: Forced PWM mode<br>1x: Reserved   |
|      | [3:0]  | Buck4 Vo SLEEP        | Set Buck4 output voltage in SLEEP state              | Codes 0-8 decimal<br>Vo= 0.8V + 0.05V x Buck4_Vo_SLEEP[3:0]<br>Codes 9-15 decimal<br>Vo= 1.5, 1.6, 1.8, 1.85, 2.2, 2.5, 3.3  |
| 0x38 | Register Name - Buck4 Power On<br>Type - (RW, EEPROM)  |                       |  | 0x0A / 10  |
|      | [7]  | not used              |  | <0>  |
|      | [6:0]  | Buck4 Power On Delay  | Delay timed from the beginning of power-on sequence  | 0: 0ms<br>1: 1ms<br>...<br>127: 127ms  |
|      |  |                       |  | <0001010>  |
| 0x39 | Register Name - Buck4 Power Off<br>Type - (RW, EEPROM) |                       |  | 0x00 / 0   |
|      | [7]  | not used              |  | <0>  |
|      | [6:0]  | Buck4 Power Off Delay | Delay timed from the beginning of power-off sequence | 0: 0ms<br>1: 1ms<br>...<br>127: 127ms  |
|      |  |                       |  | <0000000>  |

|      |   |                        |   |  |       |
|------|---|------------------------|---|--|-------|
| 0x3A | Register Name - Buck4 SR<br>Type - (RW, EEPROM)     |                        |   | 0x5A / 90  |       |
|      | [7:6]   | Buck4 TSoftStart       | Set Buck4 soft-start time   | 00: 4ms<br>01: 2ms<br>10: 1ms<br>11: 0.5ms   | <01>  |
|      | [5:4]   | Buck4 TShutDown        | Set Buck4 shutdown period.<br>Note: this setting sets the Shut Down SR when Shutdown Option Buck is set to 2'b00, 2'b01 or 2'b10. In addition, when CEN goes from high to low, the shutdown period starts to count from the time when the last rail is turned off. At the end of the shutdown period the FSM transitions to {STANDBY} then onward to {RESET}. | 00: 4ms<br>01: 2ms<br>10: 1ms<br>11: 0.5ms   | <01>  |
|      | [3:2]   | Buck4 DVS SRup         | Set Buck4 output ramp-up slew rate  | 00: 2mV/μs<br>01: 4mV/μs<br>10: 8mV/μs<br>11: 16mV/μs  | <10>  |
|      | [1:0]   | Buck4 DVS SRdn         | Set Buck4 output ramp-down slew rate  | 00: 2mV/μs<br>01: 4mV/μs<br>10: 8mV/μs<br>11: 16mV/μs  | <10>  |
| 0x3B | Register Name - Buck4 Config<br>Type - (RW, EEPROM) |                        |   | 0x1A / 26  |       |
|      | [7]   | not used               |   | <0>  |       |
|      | [6:5]   | Buck4 Phase Sync Delay | Set Buck4 phase shift relative to the internal clock when Buck1 Phase Sync EN is enabled  | 00: 0deg<br>01: 90deg<br>10: 180deg<br>11: 270deg  | <00>  |
|      | [4:2]   | Buck4 SW Freq          | Set Buck4 switching frequency when in PWM operation   | 000: 0.667MHz<br>001: 0.769MHz<br>010: 0.833MHz<br>011: 1MHz<br>100: 1.11MHz<br>101: 1.33MHz<br>110: 1.54MHz<br>111: 1.67MHz | <110> |
|      | [1:0]   | Buck4 Discharge        | Set Buck4 output discharge resistance   | 00: Disabled<br>01: Slow<br>10: Medium<br>11: Fast   | <10>  |
| 0x3C | Register Name - Buck5 Enable<br>Type - (RW, EEPROM) |                        |   | 0x07 / 7   |       |
|      | [7:5]   | not used               |   | <000>  |       |
|      | [4]   | Buck5 Phase Sync EN    | Enable Buck5 Phase Synchronization function   | 0: Disabled<br>1: Enabled  | <0>   |
|      | [3]   | Buck5 SS EN            | Enable Buck5 PFM Spread Spectrum function in PFM mode   | 0: Disabled<br>1: Enabled  | <0>   |
|      | [2]   | Buck5 ABS EN           | Enable Buck5 ABS (Ultrasonic) mode  | 0: Disabled<br>1: Enabled  | <1>   |
|      | [1]   | Buck5 EN SLEEP         | Enable Buck5 in SLEEP state   | 0: Disabled<br>1: Enabled  | <1>   |
|      | [0]   | Buck5 EN ACTIVE        | Enable Buck5 in ACTIVE state  | 0: Disabled<br>1: Enabled  | <1>   |

|      |  |                       |   |           |
|------|--|-----------------------|---|-----------|
| 0x3D | Register Name - Buck5 ACTIVE<br>Type - (RW, EEPROM)    |                       |   | 0x00 / 0  |
|      | [7:5]  | not used              |   | <000>     |
|      | [4:3]  | Buck5 Mode ACTIVE     | Set Buck5 operation mode in ACTIVE state<br>00: Auto PFM/PWM mode<br>01: Forced PWM mode<br>1x: Reserved  | <00>      |
|      | [2:0]  | Buck5 Vo ACTIVE       | Set Buck5 output voltage in ACTIVE state<br>000: 1.2V<br>001: 1.5V<br>010: 1.6V<br>011: 1.8V<br>100: 1.85V<br>101: 2.2V<br>110: 2.5V<br>111: 3.3V | <000>     |
| 0x3E | Register Name - Buck5 SLEEP<br>Type - (RW, EEPROM)     |                       |   | 0x00 / 0  |
|      | [7:5]  | not used              |   | <000>     |
|      | [4:3]  | Buck5 Mode SLEEP      | Set Buck5 operation mode in SLEEP state<br>00: Auto PFM/PWM mode<br>01: Forced PWM mode<br>1x: Reserved   | <00>      |
|      | [2:0]  | Buck5 Vo SLEEP        | Set Buck5 output voltage in SLEEP state<br>000: 1.2V<br>001: 1.5V<br>010: 1.6V<br>011: 1.8V<br>100: 1.85V<br>101: 2.2V<br>110: 2.5V<br>111: 3.3V  | <000>     |
| 0x3F | Register Name - Buck5 Power On<br>Type - (RW, EEPROM)  |                       |   | 0x0F / 15 |
|      | [7]  | not used              |   | <0>       |
|      | [6:0]  | Buck5 Power On Delay  | Delay timed from the beginning of power-on sequence<br>0: 0ms<br>1: 1ms<br>...<br>127: 127ms  | <0001111> |
| 0x40 | Register Name - Buck5 Power Off<br>Type - (RW, EEPROM) |                       |   | 0x00 / 0  |
|      | [7]  | not used              |   | <0>       |
|      | [6:0]  | Buck5 Power Off Delay | Delay timed from the beginning of power-off sequence<br>0: 0ms<br>1: 1ms<br>...<br>127: 127ms   | <0000000> |

|      |   |                        |   |  |       |
|------|---|------------------------|---|--|-------|
| 0x41 | Register Name - Buck5 SR<br>Type - (RW, EEPROM)     |                        |   | 0x5A / 90  |       |
|      | [7:6]   | Buck5 TSoftStart       | Set Buck5 soft-start time   | 00: 4ms<br>01: 2ms<br>10: 1ms<br>11: 0.5ms   | <01>  |
|      | [5:4]   | Buck5 TShutDown        | Set Buck5 shutdown period.<br>Note: this setting sets the Shut Down SR when Shutdown Option Buck is set to 2'b00, 2'b01 or 2'b10. In addition, when CEN goes from high to low, the shutdown period starts to count from the time when the last rail is turned off. At the end of the shutdown period the FSM transitions to {STANDBY} then onward to {RESET}. | 00: 4ms<br>01: 2ms<br>10: 1ms<br>11: 0.5ms   | <01>  |
|      | [3:2]   | Buck5 DVS SRup         | Set Buck5 output ramp-up slew rate  | 00: 2mV/μs<br>01: 4mV/μs<br>10: 8mV/μs<br>11: 16mV/μs  | <10>  |
|      | [1:0]   | Buck5 DVS SRdn         | Set Buck5 output ramp-down slew rate  | 00: 2mV/μs<br>01: 4mV/μs<br>10: 8mV/μs<br>11: 16mV/μs  | <10>  |
| 0x42 | Register Name - Buck5 Config<br>Type - (RW, EEPROM) |                        |   | 0x1A / 26  |       |
|      | [7]   | not used               |   | <0>  |       |
|      | [6:5]   | Buck5 Phase Sync Delay | Set Buck5 phase shift relative to the internal clock when Buck1 Phase Sync EN is enabled  | 00: 0deg<br>01: 90deg<br>10: 180deg<br>11: 270deg  | <00>  |
|      | [4:2]   | Buck5 SW Freq          | Set Buck5 switching frequency when in PWM operation   | 000: 0.667MHz<br>001: 0.769MHz<br>010: 0.833MHz<br>011: 1MHz<br>100: 1.11MHz<br>101: 1.33MHz<br>110: 1.54MHz<br>111: 1.67MHz | <110> |
|      | [1:0]   | Buck5 Discharge        | Set Buck5 output discharge resistance   | 00: Disabled<br>01: Slow<br>10: Medium<br>11: Fast   | <10>  |
| 0x43 | Register Name - Buck6 Enable<br>Type - (RW, EEPROM) |                        |   | 0x07 / 7   |       |
|      | [7:5]   | not used               |   | <000>  |       |
|      | [4]   | Buck6 Phase Sync EN    | Enable Buck6 Phase Synchronization function   | 0: Disabled<br>1: Enabled  | <0>   |
|      | [3]   | Buck6 SS EN            | Enable Buck6 PFM Spread Spectrum function in PFM mode   | 0: Disabled<br>1: Enabled  | <0>   |
|      | [2]   | Buck6 ABS EN           | Enable Buck6 ABS (Ultrasonic) mode  | 0: Disabled<br>1: Enabled  | <1>   |
|      | [1]   | Buck6 EN SLEEP         | Enable Buck6 in SLEEP state   | 0: Disabled<br>1: Enabled  | <1>   |
|      | [0]   | Buck6 EN ACTIVE        | Enable Buck6 in ACTIVE state  | 0: Disabled<br>1: Enabled  | <1>   |

|       |  |  |   |            |
|-------|--|--|---|------------|
| 0x44  | Register Name - Buck6 ACTIVE<br>Type - (RW, EEPROM)    |  |   | 0xD0 / 208 |
| [7]   | Link Buck6 to Buck2                                    | Link the sequencing of Buck 6 to Buck 2              | 0: Buck 6 and Buck 2 soft-start independently<br>1: Buck 6 and Buck 2 soft-start together | <1>        |
| [6]   | VTTREF EN  | When VTTREF EN is set to '1', buck6 (VTT) = VREFOUT  | 0: Disabled<br>1: Enabled   | <1>        |
| [5:4] | Buck6 Mode ACTIVE                                      | Set Buck6 operation mode in ACTIVE state             | 00: Auto PFM/PWM mode<br>01: Forced PWM mode<br>1x: Reserved                              | <01>       |
| [3:0] | reserved   |  |   | <0000>     |
| 0x45  | Register Name - Buck6 SLEEP<br>Type - (RW, EEPROM)     |  |   | 0xC0 / 192 |
| [7:6] | EnPD VTTRef  | Config the pull down resistor for VTTREF             | 00: Disabled<br>01: Slow<br>10: Medium<br>11: Fast  | <11>       |
| [5:4] | Buck6 Mode SLEEP                                       | Set Buck6 operation mode in SLEEP state              | 00: Auto PFM/PWM mode<br>01: Forced PWM mode<br>1x: Reserved                              | <00>       |
| [3:0] | reserved   |  |   | <0000>     |
| 0x46  | Register Name - Buck6 Power On<br>Type - (RW, EEPROM)  |  |   | 0x0A / 10  |
| [7]   | not used   |  |   | <0>        |
| [6:0] | Buck6 Power On Delay                                   | Delay timed from the beginning of power-on sequence  | 0: 0ms<br>1: 1ms<br>...<br>127: 127ms   | <0001010>  |
| 0x47  | Register Name - Buck6 Power Off<br>Type - (RW, EEPROM) |  |   | 0x00 / 0   |
| [7]   | not used   |  |   | <0>        |
| [6:0] | Buck6 Power Off Delay                                  | Delay timed from the beginning of power-off sequence | 0: 0ms<br>1: 1ms<br>...<br>127: 127ms   | <0000000>  |



|       |   |   |  |           |
|-------|---|---|--|-----------|
| 0x48  | Register Name - Buck6 SR<br>Type - (RW, EEPROM)     |   |  | 0x5A / 90 |
| [7:6] | Buck6 TSoftStart                                    | Set Buck6 soft-start time   | 00: 4ms<br>01: 2ms<br>10: 1ms<br>11: 0.5ms   | <01>      |
| [5:4] | Buck6 TShutDown                                     | Set Buck6 shutdown period.<br>Note: this setting sets the Shut Down SR when Shutdown Option Buck is set to 2'b00, 2'b01 or 2'b10. In addition, when CEN goes from high to low, the shutdown period starts to count from the time when the last rail is turned off. At the end of the shutdown period the FSM transitions to {STANDBY} then onward to {RESET}. | 00: 4ms<br>01: 2ms<br>10: 1ms<br>11: 0.5ms   | <01>      |
| [3:2] | Buck6 DVS SRup                                      | Set Buck6 output ramp-up slew rate  | 00: 2mV/μs<br>01: 4mV/μs<br>10: 8mV/μs<br>11: 16mV/μs  | <10>      |
| [1:0] | Buck6 DVS SRdn                                      | Set Buck6 output ramp-down slew rate  | 00: 2mV/μs<br>01: 4mV/μs<br>10: 8mV/μs<br>11: 16mV/μs  | <10>      |
| 0x49  | Register Name - Buck6 Config<br>Type - (RW, EEPROM) |   |  | 0x03 / 3  |
| [7]   | not used  |   |  | <0>       |
| [6:5] | Buck6 Phase Sync Delay                              | Set Buck6 phase shift relative to the internal clock when Buck1 Phase Sync EN is enabled  | 00: 0deg<br>01: 90deg<br>10: 180deg<br>11: 270deg  | <00>      |
| [4:2] | Buck6 SW Freq                                       | Set Buck6 switching frequency when in PWM operation   | 000: 0.667MHz<br>001: 0.769MHz<br>010: 0.833MHz<br>011: 1MHz<br>100: 1.11MHz<br>101: 1.33MHz<br>110: 1.54MHz<br>111: 1.67MHz | <000>     |
| [1:0] | Buck6 Discharge                                     | Set Buck6 output discharge resistance when it is configured as an individual regulator  | 00: Disabled<br>01: Slow<br>10: Medium<br>11: Fast   | <11>      |

|      |   |                      |   |   |
|------|---|----------------------|---|---|
| 0x4A | Register Name - LDO1 ACTIVE<br>Type - (RW, EEPROM)    |                      |   | 0x7C / 124  |
|      | [7]   | LDO1 Bypass          | Set LDO1 to bypass mode   | 0: Normal LDO mode<br>1: Bypass mode<br><0>   |
|      | [6]   | LDO1 EN ACTIVE       | Enable LDO1 in ACTIVE state   | 0: Disabled<br>1: Enabled<br><1>  |
|      | [5:3]   | LDO1 Vo 1 ACTIVE     | Set LDO1 output voltage in ACTIVE state when LDO_SEL1 = HIGH            | 000: 0.8V<br>001: 0.9V<br>010: 1.2V<br>011: 1.5V<br>100: 1.8V<br>101: 2.5V<br>110: 3V<br>111: 3.3V<br><111> |
|      | [2:0]   | LDO1 Vo 0 ACTIVE     | Set LDO1 output voltage in ACTIVE state when LDO_SEL1 = LOW             | 000: 0.8V<br>001: 0.9V<br>010: 1.2V<br>011: 1.5V<br>100: 1.8V<br>101: 2.5V<br>110: 3V<br>111: 3.3V<br><100> |
| 0x4B | Register Name - LDO1 SLEEP<br>Type - (RW, EEPROM)     |                      |   | 0x0C / 12   |
|      | [7:4]   | not used             |   | <0000>  |
|      | [3]   | LDO1 EN SLEEP        | Enable LDO1 in SLEEP state  | 0: Disabled<br>1: Enabled<br><1>  |
|      | [2:0]   | LDO1 Vo SLEEP        | Set LDO1 output voltage in SLEEP state (LDO_SEL1 pin change is ignored) | 000: 0.8V<br>001: 0.9V<br>010: 1.2V<br>011: 1.5V<br>100: 1.8V<br>101: 2.5V<br>110: 3V<br>111: 3.3V<br><100> |
| 0x4C | Register Name - LDO1 Power On<br>Type - (RW, EEPROM)  |                      |   | 0x0A / 10   |
|      | [7]   | not used             |   | <0>   |
|      | [6:0]   | LDO1 Power On Delay  | Delay timed from the beginning of power-on sequence                     | 0: 0ms<br>1: 1ms<br>...<br>127: 127ms<br><0001010>  |
| 0x4D | Register Name - LDO1 Power Off<br>Type - (RW, EEPROM) |                      |   | 0x00 / 0  |
|      | [7]   | not used             |   | <0>   |
|      | [6:0]   | LDO1 Power Off Delay | Delay timed from the beginning of power-off sequence                    | 0: 0ms<br>1: 1ms<br>...<br>127: 127ms<br><0000000>  |

|       |  |  |  |            |
|-------|--|--|--|------------|
| 0x4E  | Register Name - LDO1 SR<br>Type - (RW, EEPROM)     |  |  | 0x5A / 90  |
| [7:6] | LDO1 TSoftStart                                    | Set LDO1 soft-start time   | 00: 4ms<br>01: 2ms<br>10: 1ms<br>11: 0.5ms   | <01>       |
| [5:4] | LDO1 TShutDown                                     | Set LDO1 shutdown period.<br>Note: this setting sets the Shut Down SR when Shutdown Option Buck is set to 2'b00, 2'b01 or 2'b10. In addition, when CEN goes from high to low, the shutdown period starts to count from the time when the last rail is turned off. At the end of the shutdown period the FSM transitions to {STANDBY} then onward to {RESET}. | 00: 4ms<br>01: 2ms<br>10: 1ms<br>11: 0.5ms   | <01>       |
| [3:2] | LDO1 DVS SRup                                      | Set LDO1 output ramp-up slew rate  | 00: 2mV/μs<br>01: 4mV/μs<br>10: 8mV/μs<br>11: 16mV/μs  | <10>       |
| [1:0] | LDO1 DVS SRdn                                      | Set LDO1 output ramp-down slew rate  | 00: 2mV/μs<br>01: 4mV/μs<br>10: 8mV/μs<br>11: 16mV/μs  | <10>       |
| 0x4F  | Register Name - LDO2 ACTIVE<br>Type - (RW, EEPROM) |  |  | 0x7C / 124 |
| [7]   | LDO2 Bypass  | Set LDO2 to bypass mode  | 0: Normal LDO mode<br>1: Bypass mode   | <0>        |
| [6]   | LDO2 EN ACTIVE                                     | Enable LDO2 in ACTIVE state  | 0: Disabled<br>1: Enabled  | <1>        |
| [5:3] | LDO2 Vo 1 ACTIVE                                   | Set LDO2 output voltage in ACTIVE state when LDO_SEL2 = HIGH   | 000: 0.8V<br>001: 0.9V<br>010: 1.2V<br>011: 1.5V<br>100: 1.8V<br>101: 2.5V<br>110: 3V<br>111: 3.3V | <111>      |
| [2:0] | LDO2 Vo 0 ACTIVE                                   | Set LDO2 output voltage in ACTIVE state when LDO_SEL2 = LOW  | 000: 0.8V<br>001: 0.9V<br>010: 1.2V<br>011: 1.5V<br>100: 1.8V<br>101: 2.5V<br>110: 3V<br>111: 3.3V | <100>      |

|      |   |                      |  |  |
|------|---|----------------------|--|--|
| 0x50 | Register Name - LDO2 SLEEP<br>Type - (RW, EEPROM)     |                      |  | 0x0C / 12  |
|      | [7:4]   | not used             |  | <0000>   |
|      | [3]   | LDO2 EN SLEEP        | Enable LDO2 in SLEEP state   | 0: Disabled<br>1: Enabled  |
|      | [2:0]   | LDO2 Vo SLEEP        | Set LDO2 output voltage in SLEEP state (LDO_SEL2 pin is ignored)   | 000: 0.8V<br>001: 0.9V<br>010: 1.2V<br>011: 1.5V<br>100: 1.8V<br>101: 2.5V<br>110: 3V<br>111: 3.3V |
| 0x51 | Register Name - LDO2 Power On<br>Type - (RW, EEPROM)  |                      |  | 0x0A / 10  |
|      | [7]   | not used             |  | <0>  |
|      | [6:0]   | LDO2 Power On Delay  | Delay timed from the beginning of power-on sequence  | 0: 0ms<br>1: 1ms<br>...<br>127: 127ms  |
| 0x52 | Register Name - LDO2 Power Off<br>Type - (RW, EEPROM) |                      |  | 0x00 / 0   |
|      | [7]   | not used             |  | <0>  |
|      | [6:0]   | LDO2 Power Off Delay | Delay timed from the beginning of power-off sequence   | 0: 0ms<br>1: 1ms<br>...<br>127: 127ms  |
| 0x53 | Register Name - LDO2 SR<br>Type - (RW, EEPROM)        |                      |  | 0x5A / 90  |
|      | [7:6]   | LDO2 TSoftStart      | Set LDO2 soft-start time   | 00: 4ms<br>01: 2ms<br>10: 1ms<br>11: 0.5ms   |
|      | [5:4]   | LDO2 TShutDown       | Set LDO2 shutdown period.<br>Note: this setting sets the Shut Down SR when Shutdown Option Buck is set to 2'b00, 2'b01 or 2'b10. In addition, when CEN goes from high to low, the shutdown period starts to count from the time when the last rail is turned off. At the end of the shutdown period the FSM transitions to {STANDBY} then onward to {RESET}. | 00: 4ms<br>01: 2ms<br>10: 1ms<br>11: 0.5ms   |
|      | [3:2]   | LDO2 DVS SRup        | Set LDO2 output ramp-up slew rate  | 00: 2mV/μs<br>01: 4mV/μs<br>10: 8mV/μs<br>11: 16mV/μs  |
|      | [1:0]   | LDO2 DVS SRdn        | Set LDO2 output ramp-down slew rate  | 00: 2mV/μs<br>01: 4mV/μs<br>10: 8mV/μs<br>11: 16mV/μs  |

|       |  |  |  |            |
|-------|--|--|--|------------|
| 0x54  | Register Name - LDO3 ACTIVE SLEEP<br>Type - (RW, EEPROM) |  |  | 0xED / 237 |
| [7]   | LDO3 EN SLEEP  | Enable LDO3 in SLEEP state                           | 0: Disabled<br>1: Enabled  | <1>        |
| [6]   | LDO3 EN ACTIVE   | Enable LDO3 in ACTIVE state                          | 0: Disabled<br>1: Enabled  | <1>        |
| [5:3] | LDO3 Vo SLEEP  | Set LDO3 output voltage in SLEEP state               | 000: 0.8V<br>001: 0.9V<br>010: 1.2V<br>011: 1.5V<br>100: 1.8V<br>101: 2.5V<br>110: 3V<br>111: 3.3V | <101>      |
| [2:0] | LDO3 Vo ACTIVE   | Set LDO3 output voltage in ACTIVE state              | 000: 0.8V<br>001: 0.9V<br>010: 1.2V<br>011: 1.5V<br>100: 1.8V<br>101: 2.5V<br>110: 3V<br>111: 3.3V | <101>      |
| 0x55  | Register Name - LDO3 Power On<br>Type - (RW, EEPROM)     |  |  | 0x02 / 2   |
| [7]   | not used   |  |  | <0>        |
| [6:0] | LDO3 Power On Delay                                      | Delay timed from the beginning of power-on sequence  | 0: 0ms<br>1: 1ms<br>...<br>127: 127ms  | <0000010>  |
| 0x56  | Register Name - LDO3 Power Off<br>Type - (RW, EEPROM)    |  |  | 0x46 / 70  |
| [7]   | not used   |  |  | <0>        |
| [6:0] | LDO3 Power Off Delay                                     | Delay timed from the beginning of power-off sequence | 0: 0ms<br>1: 1ms<br>...<br>127: 127ms  | <1000110>  |

|       |   |  |   |           |
|-------|---|--|---|-----------|
| 0x57  | Register Name - LDO3 SR<br>Type - (RW, EEPROM)                    |  |   | 0x5A / 90 |
| [7:6] | LDO3 TSoftStart   | Set LDO3 soft-start time   | 00: 4ms<br>01: 2ms<br>10: 1ms<br>11: 0.5ms            | <01>      |
| [5:4] | LDO3 TShutDown  | Set LDO3 shutdown period.<br>Note: this setting sets the Shut Down SR when Shutdown Option Buck is set to 2'b00, 2'b01 or 2'b10. In addition, when CEN goes from high to low, the shutdown period starts to count from the time when the last rail is turned off. At the end of the shutdown period the FSM transitions to {STANDBY} then onward to {RESET}. | 00: 4ms<br>01: 2ms<br>10: 1ms<br>11: 0.5ms            | <01>      |
| [3:2] | LDO3 DVS SRup   | Set LDO3 output ramp-up slew rate  | 00: 2mV/μs<br>01: 4mV/μs<br>10: 8mV/μs<br>11: 16mV/μs | <10>      |
| [1:0] | LDO3 DVS SRdn   | Set LDO3 output ramp-down slew rate  | 00: 2mV/μs<br>01: 4mV/μs<br>10: 8mV/μs<br>11: 16mV/μs | <10>      |
| 0x58  | Register Name - LDOs Config<br>Type - (RW, EEPROM)                |  |   | 0x2A / 42 |
| [7]   | not used  |  |   | <0>       |
| [6]   | LDO3 Bypass   | Set LDO3 to bypass mode  | 0: Normal LDO mode<br>1: Bypass mode                  | <0>       |
| [5:4] | LDO3 Discharge  | Set LDO3 output discharge resistance   | 00: Disabled<br>01: Slow<br>10: Medium<br>11: Fast    | <10>      |
| [3:2] | LDO2 Discharge  | Set LDO2 output discharge resistance   | 00: Disabled<br>01: Slow<br>10: Medium<br>11: Fast    | <10>      |
| [1:0] | LDO1 Discharge  | Set LDO1 output discharge resistance   | 00: Disabled<br>01: Slow<br>10: Medium<br>11: Fast    | <10>      |
| 0x59  | Register Name - Fault Latched Status 1<br>Type - (RW, Non EEPROM) |  |   | 0x00 / 0  |
| [7:6] | not used  |  |   | <00>      |
| [5]   | Buck6 UV Latched  | Buck6 undervoltage fault latched bit. Write 1' to clear the fault  | 0: OK (normal)<br>1: Undervoltage fault occurs        | <0>       |
| [4]   | Buck5 UV Latched  | Buck5 undervoltage fault latched bit. Write 1' to clear the fault  | 0: OK (normal)<br>1: Undervoltage fault occurs        | <0>       |
| [3]   | Buck4 UV Latched  | Buck4 undervoltage fault latched bit. Write 1' to clear the fault  | 0: OK (normal)<br>1: Undervoltage fault occurs        | <0>       |
| [2]   | Buck3 UV Latched  | Buck3 undervoltage fault latched bit. Write 1' to clear the fault  | 0: OK (normal)<br>1: Undervoltage fault occurs        | <0>       |
| [1]   | Buck2 UV Latched  | Buck2 undervoltage fault latched bit. Write 1' to clear the fault  | 0: OK (normal)<br>1: Undervoltage fault occurs        | <0>       |
| [0]   | Buck1 UV Latched  | Buck1 undervoltage fault latched bit. Write 1' to clear the fault  | 0: OK (normal)<br>1: Undervoltage fault occurs        | <0>       |

|      |   |                   |  |   |
|------|---|-------------------|--|---|
| 0x5A | Register Name - Fault Latched Status 2<br>Type - (RW, Non EEPROM) |                   |  | 0x00 / 0  |
|      | [7:4]   | not used          |  | <0000>  |
|      | [3]   | VIO Pgood Latched | VIO Pgood latched bit. Write '1' to clear the fault  | 0: OK (normal)<br>1: VIO level below its power-good threshold |
|      | [2]   | LDO3 UV Latched   | LDO3 undervoltage fault latched bit. Write '1' to clear the fault  | 0: OK (normal)<br>1: Undervoltage fault occurs                |
|      | [1]   | LDO2 UV Latched   | LDO2 undervoltage fault latched bit. Write '1' to clear the fault  | 0: OK (normal)<br>1: Undervoltage fault occurs                |
|      | [0]   | LDO1 UV Latched   | LDO1 undervoltage fault latched bit. Write '1' to clear the fault  | 0: OK (normal)<br>1: undervoltage fault occurs                |
| 0x5B | Register Name - Fault Latched Status 3<br>Type - (RW, Non EEPROM) |                   |  | 0x00 / 0  |
|      | [7:6]   | not used          |  | <00>  |
|      | [5]   | Buck6 OV Latched  | Buck6 overvoltage fault latched bit. Write '1' to clear the fault  | 0: OK (normal)<br>1: Overvoltage fault occurs                 |
|      | [4]   | Buck5 OV Latched  | Buck5 overvoltage fault latched bit. Write '1' to clear the fault  | 0: OK (normal)<br>1: Overvoltage fault occurs                 |
|      | [3]   | Buck4 OV Latched  | Buck4 overvoltage fault latched bit. Write '1' to clear the fault  | 0: OK (normal)<br>1: Overvoltage fault occurs                 |
|      | [2]   | Buck3 OV Latched  | Buck3 overvoltage fault latched bit. Write '1' to clear the fault  | 0: OK (normal)<br>1: Overvoltage fault occurs                 |
|      | [1]   | Buck2 OV Latched  | Buck2 overvoltage fault latched bit. Write '1' to clear the fault  | 0: OK (normal)<br>1: Overvoltage fault occurs                 |
|      | [0]   | Buck1 OV Latched  | Buck1 overvoltage fault latched bit. Write '1' to clear the fault  | 0: OK (normal)<br>1: Overvoltage fault occurs                 |
| 0x5C | Register Name - Fault Latched Status 4<br>Type - (RW, Non EEPROM) |                   |  | 0x00 / 0  |
|      | [7:1]   | not used          |  | <0000000>   |
|      | [0]   | Buck1 HC Latched  | Buck1 high current warning latched bit. Write '1' to clear the fault   | 0: OK (normal)<br>1: High-current fault occurs                |
| 0x5D | Register Name - Fault Latched Status 5<br>Type - (RW, Non EEPROM) |                   |  | 0x01 / 1  |
|      | [7:1]   | not used          |  | <0000000>   |
|      | [0]   | NVM Read Complete | This bit is set to '1' by the device at the end of {READ_EE} if EEPROM values are read into the registers successfully | 0: Failed data loading<br>1: Completed data loading           |

|       |   |  |   |          |
|-------|---|--|---|----------|
| 0x5E  | Register Name - Fault Latched Status 6<br>Type - (RW, Non EEPROM) |  |   | 0x00 / 0 |
| [7]   | PgoodCCBAT Latched  | VBAT Pgood latched bit. Write '1' to clear the fault. This bit is edge sensitive.  | 0: OK (normal)<br>1: Battery voltage is below its power-good threshold                      | <0>      |
| [6]   | VREFIN UVLO Latched   | VREFIN UVLO fault latched bit. Write '1' to clear the fault.   | 0: OK (normal)<br>1: VREFIN UVLO occurs   | <0>      |
| [5]   | AVDD UVPD Latched   | AVDD undervoltage power down fault latched bit. Write '1' to clear the fault.  | 0: OK (normal)<br>1: AVDD UVPD occurs   | <0>      |
| [4]   | NVM Error Latched   | This bit gets set when any of the following conditions occurs:<br>1) There are ECC errors (both corrected and uncorrected).<br>2) The EEPROM voltage is not sufficient.<br>3) The EEPROM data is not valid.<br>Write '1' to clear this bit which clears the detail bit(s) in 0x83/4/5. | 0: OK (normal)<br>1: ECC error detected, insufficient EEPROM voltage or invalid EEPROM data | <0>      |
| [3]   | CRST Triggered Latched  | CRST Triggered latched bit. Write '1' to clear the fault   | 0: OK (normal)<br>1: CRST_IN# is asserted   | <0>      |
| [2]   | WDT Error Latched   | WDT Error latched bit. Write '1' to clear the fault  | 0: OK (normal)<br>1: WDT Error occurs   | <0>      |
| [1]   | OTP Latched   | Over temperature fault latched bit. Write '1' to clear the fault   | 0: OK (normal)<br>1: Over temperature fault occurs  | <0>      |
| [0]   | OTP WARN Latched  | Over temperature warning latched bit. Write '1' to clear the fault   | 0: OK (normal)<br>1: Over temperature warning occurs  | <0>      |
| 0x5F  | Register Name - Fault Live Status 1<br>Type - (Read-Only)         |  |   | 0x00 / 0 |
| [7:6] | not used  |  |   | <00>     |
| [5]   | Buck6 UV Live   | Buck6 undervoltage fault live bit. This bit is automatically cleared when the fault condition subsides.  | 0: OK (normal)<br>1: Undervoltage fault occurs  | <0>      |
| [4]   | Buck5 UV Live   | Buck5 undervoltage fault live bit. This bit is automatically cleared when the fault condition subsides.  | 0: OK (normal)<br>1: Undervoltage fault occurs  | <0>      |
| [3]   | Buck4 UV Live   | Buck4 undervoltage fault live bit. This bit is automatically cleared when the fault condition subsides.  | 0: OK (normal)<br>1: Undervoltage fault occurs  | <0>      |
| [2]   | Buck3 UV Live   | Buck3 undervoltage fault live bit. This bit is automatically cleared when the fault condition subsides.  | 0: OK (normal)<br>1: Undervoltage fault occurs  | <0>      |
| [1]   | Buck2 UV Live   | Buck2 undervoltage fault live bit. This bit is automatically cleared when the fault condition subsides.  | 0: OK (normal)<br>1: Undervoltage fault occurs  | <0>      |
| [0]   | Buck1 UV Live   | Buck1 undervoltage fault live bit. This bit is automatically cleared when the fault condition subsides.  | 0: OK (normal)<br>1: Undervoltage fault occurs  | <0>      |



|      |   |                 |   |   |
|------|---|-----------------|---|---|
| 0x60 | Register Name - Fault Live Status 2<br>Type - (Read-Only) |                 |   | 0x00 / 0  |
|      | [7:3]   | not used        |   | <00000>   |
|      | [2]   | LDO3 PGood Live | LDO3 Pgood live bit. This bit is monitored when the LDO is enabled and disabled.                          | 0: PGood HIGH<br>1: PGood LOW<br><0>                  |
|      | [1]   | LDO2 PGood Live | LDO2 Pgood live bit. This bit is monitored when the LDO is enabled and disabled.                          | 0: PGood HIGH<br>1: PGood LOW<br><0>                  |
|      | [0]   | LDO1 PGood Live | LDO1 Pgood live bit. This bit is monitored when the LDO is enabled and disabled.                          | 0: PGood HIGH<br>1: PGood LOW<br><0>                  |
| 0x61 | Register Name - Fault Live Status 3<br>Type - (Read-Only) |                 |   | 0x00 / 0  |
|      | [7:6]   | not used        |   | <00>  |
|      | [5]   | Buck6 OV Live   | Buck6 overvoltage fault live bit. This bit is automatically cleared when the fault condition subsides.    | 0: OK (normal)<br>1: Overvoltage fault occurs<br><0>  |
|      | [4]   | Buck5 OV Live   | Buck5 overvoltage fault live bit. This bit is automatically cleared when the fault condition subsides.    | 0: OK (normal)<br>1: Overvoltage fault occurs<br><0>  |
|      | [3]   | Buck4 OV Live   | Buck4 overvoltage fault live bit. This bit is automatically cleared when the fault condition subsides.    | 0: OK (normal)<br>1: Overvoltage fault occurs<br><0>  |
|      | [2]   | Buck3 OV Live   | Buck3 overvoltage fault live bit. This bit is automatically cleared when the fault condition subsides.    | 0: OK (normal)<br>1: Overvoltage fault occurs<br><0>  |
|      | [1]   | Buck2 OV Live   | Buck2 overvoltage fault live bit. This bit is automatically cleared when the fault condition subsides.    | 0: OK (normal)<br>1: Overvoltage fault occurs<br><0>  |
|      | [0]   | Buck1 OV Live   | Buck1 overvoltage fault live bit. This bit is automatically cleared when the fault condition subsides.    | 0: OK (normal)<br>1: Overvoltage fault occurs<br><0>  |
| 0x62 | Register Name - Fault Live Status 4<br>Type - (Read-Only) |                 |   | 0x00 / 0  |
|      | [7:1]   | not used        |   | <0000000>   |
|      | [0]   | Buck1 HC Live   | Buck1 high current warning live bit. This bit is automatically cleared when the fault condition subsides. | 0: OK (normal)<br>1: High-current fault occurs<br><0> |

|       |   |   |  |          |
|-------|---|---|--|----------|
| 0x63  | Register Name - Fault Live Status 6<br>Type - (Read-Only) |   |  | 0x00 / 0 |
| [7]   | PgoodCCBAT Live   | VBAT Pgood live bit. This bit is automatically cleared when the fault condition subsides.                   | 0: OK (normal)<br>1: PgoodCCBAT fault occurs   | <0>      |
| [6]   | VREFIN UVLO Live  | VREFIN UVLO fault live bit. This bit is automatically cleared when the fault condition subsides.            | 0: OK (normal)<br>1: VREFIN UVLO occurs  | <0>      |
| [5]   | AVDD UVPD Live  | AVDD undervoltage power down live bit. This bit is automatically cleared when the fault condition subsides. | 0: OK (normal)<br>1: AVDD UVPD occurs  | <0>      |
| [4]   | not used  |   |  | <0>      |
| [3]   | CRST Triggered Live                                       | CRST Triggered live bit. This bit is automatically cleared when the fault condition subsides.               | 0: OK (normal)<br>1: The FSM is currently transitioning to either IORESET or FAULT_OUT | <0>      |
| [2]   | WDT Error Live  | WDT Error live bit. This bit is automatically cleared when the fault condition subsides.                    | 0: OK (normal)<br>1: The watchdog timer has expired and is not currently counting      | <0>      |
| [1]   | OTP Live  | Over temperature fault live bit. This bit is automatically cleared when the fault condition subsides.       | 0: OK (normal)<br>1: Over temperature fault occurs                                     | <0>      |
| [0]   | OTP WARN Live   | Over temperature warning live bit. This bit is automatically cleared when the fault condition subsides.     | 0: OK (normal)<br>1: Over temperature warning occurs                                   | <0>      |
| 0x64  | Register Name - nINT Mask 1<br>Type - (RW, EEPROM)        |   |  | 0x00 / 0 |
| [7:6] | not used  |   |  | <00>     |
| [5]   | Buck6 UV nINT Mask  | Configure INT# pin response to Buck6 UV fault   | 0: Unmask undervoltage fault from INT# pin<br>1: Mask undervoltage fault from INT# pin | <0>      |
| [4]   | Buck5 UV nINT Mask  | Configure INT# pin response to Buck5 UV fault   | 0: Unmask undervoltage fault from INT# pin<br>1: Mask undervoltage fault from INT# pin | <0>      |
| [3]   | Buck4 UV nINT Mask  | Configure INT# pin response to Buck4 UV fault   | 0: Unmask undervoltage fault from INT# pin<br>1: Mask undervoltage fault from INT# pin | <0>      |
| [2]   | Buck3 UV nINT Mask  | Configure INT# pin response to Buck3 UV fault   | 0: Unmask undervoltage fault from INT# pin<br>1: Mask undervoltage fault from INT# pin | <0>      |
| [1]   | Buck2 UV nINT Mask  | Configure INT# pin response to Buck2 UV fault   | 0: Unmask undervoltage fault from INT# pin<br>1: Mask undervoltage fault from INT# pin | <0>      |
| [0]   | Buck1 UV nINT Mask  | Configure INT# pin response to Buck1 UV fault   | 0: Unmask undervoltage fault from INT# pin<br>1: Mask undervoltage fault from INT# pin | <0>      |

|       |  |   |  |           |
|-------|--|---|--|-----------|
| 0x65  | Register Name - nINT Mask 2<br>Type - (RW, EEPROM) |   |  | 0x00 / 0  |
| [7:4] | not used   |   |  | <0000>    |
| [3]   | VIO Pgood nINT mask                                | Configure INT# pin response to the loss of VIO Pgood        | 0: Unmask VIO Pgood fault from INT# pin<br>1: Mask VIO Pgood fault from INT# pin       | <0>       |
| [2]   | LDO3 UV nINT Mask                                  | Configure INT# pin response to LDO3 UV fault                | 0: Unmask undervoltage fault from INT# pin<br>1: Mask undervoltage fault from INT# pin | <0>       |
| [1]   | LDO2 UV nINT Mask                                  | Configure INT# pin response to LDO2 UV fault                | 0: Unmask undervoltage fault from INT# pin<br>1: Mask undervoltage fault from INT# pin | <0>       |
| [0]   | LDO1 UV nINT Mask                                  | Configure INT# pin response to LDO1 UV fault                | 0: Unmask undervoltage fault from INT# pin<br>1: Mask undervoltage fault from INT# pin | <0>       |
| 0x66  | Register Name - nINT Mask 3<br>Type - (RW, EEPROM) |   |  | 0x00 / 0  |
| [7:6] | not used   |   |  | <00>      |
| [5]   | Buck6 OV nINT Mask                                 | Configure INT# pin response to Buck6 OV fault               | 0: Unmask over-voltage fault from INT# pin<br>1: Mask over-voltage fault from INT# pin | <0>       |
| [4]   | Buck5 OV nINT Mask                                 | Configure INT# pin response to Buck5 OV fault               | 0: Unmask over-voltage fault from INT# pin<br>1: Mask over-voltage fault from INT# pin | <0>       |
| [3]   | Buck4 OV nINT Mask                                 | Configure INT# pin response to Buck4 OV fault               | 0: Unmask over-voltage fault from INT# pin<br>1: Mask over-voltage fault from INT# pin | <0>       |
| [2]   | Buck3 OV nINT Mask                                 | Configure INT# pin response to Buck3 OV fault               | 0: Unmask over-voltage fault from INT# pin<br>1: Mask over-voltage fault from INT# pin | <0>       |
| [1]   | Buck2 OV nINT Mask                                 | Configure INT# pin response to Buck2 OV fault               | 0: Unmask over-voltage fault from INT# pin<br>1: Mask over-voltage fault from INT# pin | <0>       |
| [0]   | Buck1 OV nINT Mask                                 | Configure INT# pin response to Buck1 OV fault               | 0: Unmask over-voltage fault from INT# pin<br>1: Mask over-voltage fault from INT# pin | <0>       |
| 0x67  | Register Name - nINT Mask 4<br>Type - (RW, EEPROM) |   |  | 0x00 / 0  |
| [7:1] | not used   |   |  | <0000000> |
| [0]   | Buck1 HC nINT Mask                                 | Configure INT# response to Buck1 high current warning event | 0: Unmask high-current fault from INT# pin<br>1: Mask high-current fault from INT# pin | <0>       |

|      |  |   |  |          |
|------|--|---|--|----------|
| 0x68 | Register Name - nINT Mask 6<br>Type - (RW, EEPROM) |   |  | 0x00 / 0 |
| [7]  | PgoodCCBAT nINT Mask                               | Configure INT# response to the loss of VBAT Pgood | 0: Unmask PgoodCCBAT fault from INT# pin<br>1: Mask PgoodCCBAT fault from INT# pin         | <0>      |
| [6]  | VREFIN UVLO nINT Mask                              | Configure INT# response to VREFIN UVLO fault      | 0: Unmask VREFIN UVLO fault from INT# pin<br>1: Mask VREFIN UVLO fault from INT# pin       | <0>      |
| [5]  | AVDD UVPD nINT Mask                                | Configure INT# response to AVDD UVPD fault        | 0: Unmask AVDD UVPD fault from INT# pin<br>1: Mask AVDD UVPD fault from INT# pin           | <0>      |
| [4]  | NVM Error nINT Mask                                | Configure INT# response to NVM Error              | 0: Unmask NVM Error from INT# pin<br>1: Mask NVM Error from INT# pin                       | <0>      |
| [3]  | CRST Triggered nINT Mask                           | Configure INT# response to CRST Triggered event   | 0: Unmask CRST Triggered fault from INT# pin<br>1: Mask CRST Triggered fault from INT# pin | <0>      |
| [2]  | WDT Error nINT Mask                                | Configure INT# response to WDT Error event        | 0: Unmask WDT Error from INT# pin<br>1: Mask WDT Error from INT# pin                       | <0>      |
| [1]  | OTP nINT Mask                                      | Configure INT# response to OTP fault              | 0: Unmask Over Temp fault from INT# pin<br>1: Mask Over Temp fault from INT# pin           | <0>      |
| [0]  | OTP WARN nINT Mask                                 | Configure INT# response to OTP warning event      | 0: Unmask Over Temp Warning from INT# pin<br>1: Mask Over Temp Warning from INT# pin       | <0>      |

|       |   |   |   |           |
|-------|---|---|---|-----------|
| 0x69  | Register Name - Fault Config 1<br>Type - (RW, EEPROM) |   |   | 0x3F / 63 |
| [7:6] | not used  |   |   | <00>      |
| [5]   | Buck6 UV Disable                                      | Configure the device response to Buck6 UV fault | 0: UV fault does not shut down any rail<br>1: UV fault shuts down all the rails | <1>       |
| [4]   | Buck5 UV Disable                                      | Configure the device response to Buck5 UV fault | 0: UV fault does not shut down any rail<br>1: UV fault shuts down all the rails | <1>       |
| [3]   | Buck4 UV Disable                                      | Configure the device response to Buck4 UV fault | 0: UV fault does not shut down any rail<br>1: UV fault shuts down all the rails | <1>       |
| [2]   | Buck3 UV Disable                                      | Configure the device response to Buck3 UV fault | 0: UV fault does not shut down any rail<br>1: UV fault shuts down all the rails | <1>       |
| [1]   | Buck2 UV Disable                                      | Configure the device response to Buck2 UV fault | 0: UV fault does not shut down any rail<br>1: UV fault shuts down all the rails | <1>       |
| [0]   | Buck1 UV Disable                                      | Configure the device response to Buck1 UV fault | 0: UV fault does not shut down any rail<br>1: UV fault shuts down all the rails | <1>       |
| 0x6A  | Register Name - Fault Config 2<br>Type - (RW, EEPROM) |   |   | 0x07 / 7  |
| [7:3] | not used  |   |   | <00000>   |
| [2]   | LDO3 UV Disable                                       | Configure the device response to LDO3 UV fault  | 0: UV fault does not shut down any rail<br>1: UV fault shuts down all the rails | <1>       |
| [1]   | LDO2 UV Disable                                       | Configure the device response to LDO2 UV fault  | 0: UV fault does not shut down any rail<br>1: UV fault shuts down all the rails | <1>       |
| [0]   | LDO1 UV Disable                                       | Configure the device response to LDO1 UV fault  | 0: UV fault does not shut down any rail<br>1: UV fault shuts down all the rails | <1>       |

|      |   |                     |  |   |     |
|------|---|---------------------|--|---|-----|
| 0x6B | Register Name - Fault Config 3<br>Type - (RW, EEPROM)     |                     |  | 0x7F / 127  |     |
|      | [7]   | not used            |  | <0>   |     |
|      | [6]   | VREFIN UVLO Disable | Configure the device response to VREFIN UVLO fault                   | 0: VREFIN UVLO fault does not shut down any rail<br>1: VREFIN UVLO fault shuts down all the rails | <1> |
|      | [5]   | Buck6 OV Disable    | Configure the device response to Buck6 OV fault                      | 0: OV fault does not shut down any rail<br>1: OV fault shuts down all the rails                   | <1> |
|      | [4]   | Buck5 OV Disable    | Configure the device response to Buck5 OV fault                      | 0: OV fault does not shut down any rail<br>1: OV fault shuts down all the rails                   | <1> |
|      | [3]   | Buck4 OV Disable    | Configure the device response to Buck4 OV fault                      | 0: OV fault does not shut down any rail<br>1: OV fault shuts down all the rails                   | <1> |
|      | [2]   | Buck3 OV Disable    | Configure the device response to Buck3 OV fault                      | 0: OV fault does not shut down any rail<br>1: OV fault shuts down all the rails                   | <1> |
|      | [1]   | Buck2 OV Disable    | Configure the device response to Buck2 OV fault                      | 0: OV fault does not shut down any rail<br>1: OV fault shuts down all the rails                   | <1> |
|      | [0]   | Buck1 OV Disable    | Configure the device response to Buck1 OV fault                      | 0: OV fault does not shut down any rail<br>1: OV fault shuts down all the rails                   | <1> |
| 0x6C | Register Name - Block EN<br>Type - (RW, EEPROM)           |                     |  | 0x00 / 0  |     |
|      | [7]   | SLEEP State EN      | Configure the device to enter {SLEEP}. This bit is not EEPROM backed | 0: Exit SLEEP state<br>1: Enter SLEEP state   | <0> |
|      | [6]   | RTC EN              | Enable the RTC. This bit is battery backed                           | 0: Disabled<br>1: Enabled   | <0> |
|      | [5]   | CC Charger EN       | Enable the coin cell battery charger. This bit is not EEPROM backed  | 0: Disabled<br>1: Enabled   | <0> |
|      | [4]   | CCBAT COMP EN       | Enable the VBAT comparator   | 0: Disabled<br>1: Enabled   | <0> |
|      | [3]   | WD EN               | Enable the watchdog timer  | 0: Disabled<br>1: Enabled   | <0> |
|      | [2]   | WD PD EN            | Enable the power-down feature when the watchdog timer expires        | 0: Disabled<br>1: Enabled   | <0> |
|      | [1]   | WD RST EN           | Enable the reset feature when the watchdog timer expires             | 0: Disabled<br>1: Enabled   | <0> |
|      | [0]   | CRST Fault EN       | Enable the power-down feature when the CRST_IN# is asserted          | 0: Disabled<br>1: Enabled   | <0> |
| 0x6D | Register Name - Software Reset<br>Type - (RW, Non EEPROM) |                     |  | 0x00 / 0  |     |
|      | [7:2]   | not used            |  | <000000>  |     |
|      | [1]   | Warm Reset          | Configure the device to do a warm reset                              | 0: Normal<br>1: Warm reset  | <0> |
|      | [0]   | Cold Reset          | Configure the device to do a cold reset                              | 0: Normal<br>1: Cold reset  | <0> |

|       |  |  |   |            |
|-------|--|--|---|------------|
| 0x6E  | Register Name - I2C Trigger Power Off<br>Type - (RW, Non EEPROM) |  |   | 0xA8 / 168 |
| [7:0] | I2C Trigger Power Off key  | Read-only.<br>But when a data is written to this register, it will not ignore it. When the write data matches the read value, power off sequence starts.   |   | <10101000> |
| 0x6F  | Register Name - Config 1<br>Type - (RW, EEPROM)                  |  |   | 0xFB / 251 |
| [7]   | Charge Current Level   | Set the charge current level of the coin cell battery charger when it is enabled   | 0: 20µA<br>1: 60µA  | <1>        |
| [6:5] | Thermal Warning Threshold  | Set the thermal warning temperature rising threshold   | 00: 105C<br>01: 110C<br>10: 115C<br>11: 120C  | <11>       |
| [4:3] | Buck1 High Current Threshold                                     | Set the buck1 high current warning threshold   | 00: 4A<br>01: 5A<br>10: 5.5A<br>11: 6A  | <11>       |
| [2:1] | AVDD UVPD Config   | Set the AVDD Under Voltage Power Down falling threshold  | 00: Disable AVDD monitoring<br>01: 2.7V<br>10: 3.0V<br>11: 4.25V                            | <01>       |
| [0]   | PWRON Config   | Set the PWRON configuration  | 0: On/off switch<br>1: Long push button   | <1>        |
| 0x70  | Register Name - Config 2<br>Type - (RW, EEPROM)                  |  |   | 0xF8 / 248 |
| [7:4] | VCCBAT   | Set the coin cell battery termination voltage  | 4'b0000 - 4'b1111: 1.8V + 0.1V*VCCBAT[3:0]  | <1111>     |
| [3:2] | reserved   |  |   | <10>       |
| [1:0] | PWRON Hold Period  | Set the period in which the PWRON needs to stay high/low when it is configured as long push button   | 00: 1s<br>01: 1.5s<br>10: 2s<br>11: 3s  | <00>       |
| 0x71  | Register Name - Config 3<br>Type - (RW, EEPROM)                  |  |   | 0x17 / 23  |
| [7:5] | not used   |  |   | <000>      |
| [4:3] | VIO Timeout  | Set the timeout period in which VIO_Pgood is monitored. If VIO_Pgood is asserted before the timer expires, then the FSM transitions to {STANDBY} before the end of the timeout period. If VIO_Pgood is not asserted when the timer expires, then the FSM transitions to {FAULT_OUT}. | 00: Indefinite<br>01: 0.5ms<br>10: 1ms<br>11: 2ms   | <10>       |
| [2:0] | Cold Reset Delay   | Set the time delay from the completion of power-off sequence to the start of power-on  | 0: No delay<br>1: 15ms<br>2: 31ms<br>3: 63ms<br>4: 95ms<br>5: 127ms<br>6: 191ms<br>7: 255ms | <111>      |

|      |  |                       |   |   |           |
|------|--|-----------------------|---|---|-----------|
| 0x72 | Register Name - MPIO0 Power On<br>Type - (RW, EEPROM)  |                       |   | 0x46 / 70   |           |
|      | [7]  | not used              |   | <0>   |           |
|      | [6:0]  | MPIO0 Power On Delay  | Delay timed from the beginning of power-on sequence. The alternative function of bits[3:0] is to select which regulator is used for the PGood when MPIO0 is configured as PGood output. Refer to the settings for details | Bits[6:0] decodes:<br>0: 0ms<br>1: 1ms<br>...<br>127: 127ms<br>Alternative decodes of bits[3:0]:<br>0000: Buck1<br>0001: Buck2<br>0010: Buck3<br>0011: Buck4<br>0100: Buck5<br>0101: Buck6<br>0110: LDO1<br>0111: LDO2<br>1000: LDO3<br>1001: VTTREF<br>1010: AND of all regulators PGood | <1000110> |
| 0x73 | Register Name - MPIO0 Power Off<br>Type - (RW, EEPROM) |                       |   | 0x00 / 0  |           |
|      | [7]  | not used              |   | <0>   |           |
|      | [6:0]  | MPIO0 Power Off Delay | Delay timed from the beginning of power-off sequence  | 0: 0ms<br>1: 1ms<br>...<br>127: 127ms   | <0000000> |
| 0x74 | Register Name - MPIO1 Power On<br>Type - (RW, EEPROM)  |                       |   | 0x14 / 20   |           |
|      | [7]  | not used              |   | <0>   |           |
|      | [6:0]  | MPIO1 Power On Delay  | Delay timed from the beginning of power-on sequence. The alternative function of bits[3:0] is to select which regulator is used for the PGood when MPIO1 is configured as PGood output. Refer to the settings for details | Bits[6:0] decodes:<br>0: 0ms<br>1: 1ms<br>...<br>127: 127ms<br>Alternative decodes of bits[3:0]:<br>0000: Buck1<br>0001: Buck2<br>0010: Buck3<br>0011: Buck4<br>0100: Buck5<br>0101: Buck6<br>0110: LDO1<br>0111: LDO2<br>1000: LDO3<br>1001: VTTREF<br>1010: AND of all regulators PGood | <0010100> |
| 0x75 | Register Name - MPIO1 Power Off<br>Type - (RW, EEPROM) |                       |   | 0x00 / 0  |           |
|      | [7]  | not used              |   | <0>   |           |
|      | [6:0]  | MPIO1 Power Off Delay | Delay timed from the beginning of power-off sequence  | 0: 0ms<br>1: 1ms<br>...<br>127: 127ms   | <0000000> |



|      |  |                       |   |   |           |
|------|--|-----------------------|---|---|-----------|
| 0x76 | Register Name - MPIO2 Power On<br>Type - (RW, EEPROM)  |                       |   | 0x04 / 4  |           |
|      | [7]  | not used              |   | <0>   |           |
|      | [6:0]  | MPIO2 Power On Delay  | Delay timed from the beginning of power-on sequence. The alternative function of bits[3:0] is to select which regulator is used for the PGood when MPIO2 is configured as PGood output. Refer to the settings for details | Bits[6:0] decodes:<br>0: 0ms<br>1: 1ms<br>...<br>127: 127ms<br>Alternative decodes of bits[3:0]:<br>0000: Buck1<br>0001: Buck2<br>0010: Buck3<br>0011: Buck4<br>0100: Buck5<br>0101: Buck6<br>0110: LDO1<br>0111: LDO2<br>1000: LDO3<br>1001: VTTREF<br>1010: AND of all regulators PGood | <0000100> |
| 0x77 | Register Name - MPIO2 Power Off<br>Type - (RW, EEPROM) |                       |   | 0x00 / 0  |           |
|      | [7]  | not used              |   | <0>   |           |
|      | [6:0]  | MPIO2 Power Off Delay | Delay timed from the beginning of power-off sequence. The alternative function of bits[2:0] is to set the frequency when MPIO2 is configured as 32K_CLK. Refer to the settings for details                                | Bits[6:0] decodes:<br>0: 0ms<br>1: 1ms<br>...<br>127: 127ms<br>Alternative decodes of bits[2:0]:<br>000: 32.768kHz<br>001: 16.384kHz<br>010: 8.192kHz<br>011: 4.096kHz<br>100: 2.048kHz<br>101: 1.024kHz<br>110: 512Hz<br>111: 256Hz  | <0000000> |

|      |  |                       |   |   |
|------|--|-----------------------|---|---|
| 0x78 | Register Name - MPIO3 Power On<br>Type - (RW, EEPROM)  |                       |   | 0x00 / 0  |
|      | [7]  | not used              |   | <0>   |
|      | [6:0]  | MPIO3 Power On Delay  | Delay timed from the beginning of power-on sequence. The alternative function of bits[3:0] is to select which regulator is used for the PGood when MPIO3 is configured as PGood output. Refer to the settings for details | Bits[6:0] decodes:<br>0: 0ms<br>1: 1ms<br>...<br>127: 127ms<br>Alternative decodes of bits[3:0]:<br>0000: Buck1<br>0001: Buck2<br>0010: Buck3<br>0011: Buck4<br>0100: Buck5<br>0101: Buck6<br>0110: LDO1<br>0111: LDO2<br>1000: LDO3<br>1001: VTTREF<br>1010: AND of all regulators PGood |
| 0x79 | Register Name - MPIO3 Power Off<br>Type - (RW, EEPROM) |                       |   | 0x00 / 0  |
|      | [7]  | not used              |   | <0>   |
|      | [6:0]  | MPIO3 Power Off Delay | Delay timed from the beginning of power-off sequence  | 0: 0ms<br>1: 1ms<br>...<br>127: 127ms   |
| 0x7A | Register Name - MPIO4 Power On<br>Type - (RW, EEPROM)  |                       |   | 0x00 / 0  |
|      | [7]  | not used              |   | <0>   |
|      | [6:0]  | MPIO4 Power On Delay  | Delay timed from the beginning of power-on sequence. The alternative function of bits[3:0] is to select which regulator is used for the PGood when MPIO4 is configured as PGood output. Refer to the settings for details | Bits[6:0] decodes:<br>0: 0ms<br>1: 1ms<br>...<br>127: 127ms<br>Alternative decodes of bits[3:0]:<br>0000: Buck1<br>0001: Buck2<br>0010: Buck3<br>0011: Buck4<br>0100: Buck5<br>0101: Buck6<br>0110: LDO1<br>0111: LDO2<br>1000: LDO3<br>1001: VTTREF<br>1010: AND of all regulators PGood |

|      |  |                       |  |   |
|------|--|-----------------------|--|---|
| 0x7B | Register Name - MPIO4 Power Off<br>Type - (RW, EEPROM) |                       |  | 0x00 / 0  |
|      | [7]  | not used              |  | <0>   |
|      | [6:0]  | MPIO4 Power Off Delay | Delay timed from the beginning of power-off sequence. The alternative function of bits[3:0] is used to set the timeout period when MPIO4 is configured as Watchdog Timer Reset. Refer to the settings for details              | Bits[6:0] decodes:<br>0: 0ms<br>1: 1ms<br>...<br>127: 127ms<br>Alternative decodes of bits[3:0]:<br>0000: 1ms<br>0001: 2ms<br>0010: 4ms<br>0011: 8ms<br>0100: 16ms<br>0101: 32ms<br>0110: 64ms<br>0111: 128ms<br>1000: 256ms<br>1001: 512ms<br>1010: 1.024s<br>1011: 2.048s<br>1100: 4.096s<br>1101: 8.192s<br>1110: 16.384s<br>1111: 32.768s |
| 0x7C | Register Name - MPIO5 Power On<br>Type - (RW, EEPROM)  |                       |  | 0x00 / 0  |
|      | [7]  | not used              |  | <0>   |
|      | [6:0]  | MPIO5 Power On Delay  | Delay timed from the beginning of power-on sequence. The alternative function of bits[3:0] is used to select which regulator is used for the PGood when MPIO5 is configured as PGood output. Refer to the settings for details | Bits[6:0] decodes:<br>0: 0ms<br>1: 1ms<br>...<br>127: 127ms<br>Alternative decodes of bits[3:0]:<br>0000: Buck1<br>0001: Buck2<br>0010: Buck3<br>0011: Buck4<br>0100: Buck5<br>0101: Buck6<br>0110: LDO1<br>0111: LDO2<br>1000: LDO3<br>1001: VTTREF<br>1010: AND of all regulators PGood   |
| 0x7D | Register Name - MPIO5 Power Off<br>Type - (RW, EEPROM) |                       |  | 0x00 / 0  |
|      | [7]  | not used              |  | <0>   |
|      | [6:0]  | MPIO5 Power Off Delay | Delay timed from the beginning of power-off sequence   | 0: 0ms<br>1: 1ms<br>...<br>127: 127ms   |

|       |  |  |                           |          |
|-------|--|--|---------------------------|----------|
| 0x7E  | Register Name - MPIO Input Status<br>Type - (Read-Only)    |  |                           | 0x00 / 0 |
| [7:6] | not used   |  |                           | <00>     |
| [5]   | MPIO5 Status   | Read back the live status of MPIO5   | 0: Low<br>1: High         | <0>      |
| [4]   | MPIO4 Status   | Read back the live status of MPIO4   | 0: Low<br>1: High         | <0>      |
| [3]   | MPIO3 Status   | Read back the live status of MPIO3   | 0: Low<br>1: High         | <0>      |
| [2]   | MPIO2 Status   | Read back the live status of MPIO2   | 0: Low<br>1: High         | <0>      |
| [1]   | MPIO1 Status   | Read back the live status of MPIO1   | 0: Low<br>1: High         | <0>      |
| [0]   | MPIO0 Status   | Read back the live status of MPIO0   | 0: Low<br>1: High         | <0>      |
| 0x7F  | Register Name - MPIO I2C Output<br>Type - (RW, Non EEPROM) |  |                           | 0x00 / 0 |
| [7:6] | not used   |  |                           | <00>     |
| [5]   | MPIO5 I2C Output   | Set the status of MPIO5 when its function is set to "Output from I2C output" | 0: Set low<br>1: Set high | <0>      |
| [4]   | MPIO4 I2C Output   | Set the status of MPIO4 when its function is set to "Output from I2C output" | 0: Set low<br>1: Set high | <0>      |
| [3]   | MPIO3 I2C Output   | Set the status of MPIO3 when its function is set to "Output from I2C output" | 0: Set low<br>1: Set high | <0>      |
| [2]   | MPIO2 I2C Output   | Set the status of MPIO2 when its function is set to "Output from I2C output" | 0: Set low<br>1: Set high | <0>      |
| [1]   | MPIO1 I2C Output   | Set the status of MPIO1 when its function is set to "Output from I2C output" | 0: Set low<br>1: Set high | <0>      |
| [0]   | MPIO0 I2C Output   | Set the status of MPIO0 when its function is set to "Output from I2C output" | 0: Set low<br>1: Set high | <0>      |

|      |  |                 |  |   |     |
|------|--|-----------------|--|---|-----|
| 0x80 | Register Name - MPIO Assertion<br>Type - (RW, EEPROM)  |                 |  | 0x3F / 63   |     |
|      | [7:6]  | not used        |  | <00>  |     |
|      | [5]  | MPIO5 Assertion | Configure the MPIO5 operation during transition between {ACTIVE} and {SLEEP} when it is set to reset output or External VR EN output | 0: A reset output will NOT be asserted (or an external VR enable will NOT be de-asserted) in SLEEP state<br>1: A reset output will be asserted (or an external VR enable be de-asserted) in SLEEP state | <1> |
|      | [4]  | MPIO4 Assertion | Configure the MPIO4 operation during transition between {ACTIVE} and {SLEEP} when it is set to reset output or External VR EN output | 0: A reset output will NOT be asserted (or an external VR enable will NOT be de-asserted) in SLEEP state<br>1: A reset output will be asserted (or an external VR enable be de-asserted) in SLEEP state | <1> |
|      | [3]  | MPIO3 Assertion | Configure the MPIO3 operation during transition between {ACTIVE} and {SLEEP} when it is set to reset output or External VR EN output | 0: A reset output will NOT be asserted (or an external VR enable will NOT be de-asserted) in SLEEP state<br>1: A reset output will be asserted (or an external VR enable be de-asserted) in SLEEP state | <1> |
|      | [2]  | MPIO2 Assertion | Configure the MPIO2 operation during transition between {ACTIVE} and {SLEEP} when it is set to reset output or External VR EN output | 0: A reset output will NOT be asserted (or an external VR enable will NOT be de-asserted) in SLEEP state<br>1: A reset output will be asserted (or an external VR enable be de-asserted) in SLEEP state | <1> |
|      | [1]  | MPIO1 Assertion | Configure the MPIO1 operation during transition between {ACTIVE} and {SLEEP} when it is set to reset output or External VR EN output | 0: A reset output will NOT be asserted (or an external VR enable will NOT be de-asserted) in SLEEP state<br>1: A reset output will be asserted (or an external VR enable be de-asserted) in SLEEP state | <1> |
|      | [0]  | MPIO0 Assertion | Configure the MPIO0 operation during transition between {ACTIVE} and {SLEEP} when it is set to reset output or External VR EN output | 0: A reset output will NOT be asserted (or an external VR enable will NOT be de-asserted) in SLEEP state<br>1: A reset output will be asserted (or an external VR enable be de-asserted) in SLEEP state | <1> |
| 0x81 | Register Name - Input Pin Status<br>Type - (Read-Only) |                 |  | 0x00 / 0  |     |
|      | [7:5]  | not used        |  | <000>   |     |
|      | [4]  | VPROG Status    | Read back the live status of VPROG   | 0: Low<br>1: High   | <0> |
|      | [3]  | LDO2VSEL Status | Read back the live status of LDO2VSEL  | 0: Low<br>1: High   | <0> |
|      | [2]  | LDO1VSEL Status | Read back the live status of LDO1VSEL  | 0: Low<br>1: High   | <0> |
|      | [1]  | PWRON Status    | Read back the live status of PWRON   | 0: Low<br>1: High   | <0> |
|      | [0]  | CEN Status      | Read back the live status of CEN   | 0: Low<br>1: High   | <0> |

|       |   |   |   |          |
|-------|---|---|---|----------|
| 0x82  | Register Name - Report Buck Mode<br>Type - (Read-Only)  |   |   | 0x00 / 0 |
| [7:6] | not used  |   |   | <00>     |
| [5]   | Buck6 Mode  | Read back the operation status of buck6         | 0: PFM<br>1: PWM  | <0>      |
| [4]   | Buck5 Mode  | Read back the operation status of buck5         | 0: PFM<br>1: PWM  | <0>      |
| [3]   | Buck4 Mode  | Read back the operation status of buck4         | 0: PFM<br>1: PWM  | <0>      |
| [2]   | Buck3 Mode  | Read back the operation status of buck3         | 0: PFM<br>1: PWM  | <0>      |
| [1]   | Buck2 Mode  | Read back the operation status of buck2         | 0: PFM<br>1: PWM  | <0>      |
| [0]   | Buck1 Mode  | Read back the operation status of buck1         | 0: PFM<br>1: PWM  | <0>      |
| 0x83  | Register Name - ECC Detail 1<br>Type - (RW, Non EEPROM) |   |   | 0x00 / 0 |
| [7]   | EE Bank7 ECC Corrected                                  | Cleared by writing '1' to 0x5E[4] NVM Error bit | 0: Bank7 ECC OK (normal)<br>1: Bank7 ECC corrected flag | <0>      |
| [6]   | EE Bank6 ECC Corrected                                  | Cleared by writing '1' to 0x5E[4] NVM Error bit | 0: Bank6 ECC OK (normal)<br>1: Bank6 ECC corrected flag | <0>      |
| [5]   | EE Bank5 ECC Corrected                                  | Cleared by writing '1' to 0x5E[4] NVM Error bit | 0: Bank5 ECC OK (normal)<br>1: Bank5 ECC corrected flag | <0>      |
| [4]   | EE Bank4 ECC Corrected                                  | Cleared by writing '1' to 0x5E[4] NVM Error bit | 0: Bank4 ECC OK (normal)<br>1: Bank4 ECC corrected flag | <0>      |
| [3]   | EE Bank3 ECC Corrected                                  | Cleared by writing '1' to 0x5E[4] NVM Error bit | 0: Bank3 ECC OK (normal)<br>1: Bank3 ECC corrected flag | <0>      |
| [2]   | EE Bank2 ECC Corrected                                  | Cleared by writing '1' to 0x5E[4] NVM Error bit | 0: Bank2 ECC OK (normal)<br>1: Bank2 ECC corrected flag | <0>      |
| [1]   | EE Bank1 ECC Corrected                                  | Cleared by writing '1' to 0x5E[4] NVM Error bit | 0: Bank1 ECC OK (normal)<br>1: Bank1 ECC corrected flag | <0>      |
| [0]   | EE Bank0 ECC Corrected                                  | Cleared by writing '1' to 0x5E[4] NVM Error bit | 0: Bank0 ECC OK (normal)<br>1: Bank0 ECC corrected flag | <0>      |

|       |   |   |   |          |
|-------|---|---|---|----------|
| 0x84  | Register Name - ECC Detail 2<br>Type - (RW, Non EEPROM) |   |   | 0x00 / 0 |
| [7]   | EE Bank7 ECC Error                                      | Cleared by writing '1' to 0x5E[4] NVM Error bit   | 0: Bank7 ECC OK (normal)<br>1: Bank7 ECC uncorrectable error flag | <0>      |
| [6]   | EE Bank6 ECC Error                                      | Cleared by writing '1' to 0x5E[4] NVM Error bit   | 0: Bank6 ECC OK (normal)<br>1: Bank6 ECC uncorrectable error flag | <0>      |
| [5]   | EE Bank5 ECC Error                                      | Cleared by writing '1' to 0x5E[4] NVM Error bit   | 0: Bank5 ECC OK (normal)<br>1: Bank5 ECC uncorrectable error flag | <0>      |
| [4]   | EE Bank4 ECC Error                                      | Cleared by writing '1' to 0x5E[4] NVM Error bit   | 0: Bank4 ECC OK (normal)<br>1: Bank4 ECC uncorrectable error flag | <0>      |
| [3]   | EE Bank3 ECC Error                                      | Cleared by writing '1' to 0x5E[4] NVM Error bit   | 0: Bank3 ECC OK (normal)<br>1: Bank3 ECC uncorrectable error flag | <0>      |
| [2]   | EE Bank2 ECC Error                                      | Cleared by writing '1' to 0x5E[4] NVM Error bit   | 0: Bank2 ECC OK (normal)<br>1: Bank2 ECC uncorrectable error flag | <0>      |
| [1]   | EE Bank1 ECC Error                                      | Cleared by writing '1' to 0x5E[4] NVM Error bit   | 0: Bank1 ECC OK (normal)<br>1: Bank1 ECC uncorrectable error flag | <0>      |
| [0]   | EE Bank0 ECC Error                                      | Cleared by writing '1' to 0x5E[4] NVM Error bit   | 0: Bank0 ECC OK (normal)<br>1: Bank0 ECC uncorrectable error flag | <0>      |
| 0x85  | Register Name - EE Detail<br>Type - (RW, Non EEPROM)    |   |   | 0x00 / 0 |
| [7:2] | not used  |   |   | <000000> |
| [1]   | Valid EE Data   | Customer data is considered as valid if either of the EEPROM ID 1/2 registers are non-zero. Cleared by writing '1' to 0x5E[4] NVM Error bit | 0: OK (normal)<br>1: EEPROM data is not valid                     | <0>      |
| [0]   | EE Error Latched  | Cleared by writing '1' to 0x5E[4] NVM Error bit   | 0: OK (normal)<br>1: Insufficient EEPROM voltage                  | <0>      |

|       |  |   |  |           |
|-------|--|---|--|-----------|
| 0x86  | Register Name - Spread Spectrum 1<br>Type - (RW, EEPROM) |   |  | 0x00 / 0  |
| [7:6] | Freq SS  | Spread spectrum modulation frequency  | 00: 17.5kHz<br>01: 20kHz<br>10: 22.5kHz<br>11: 25kHz   | <00>      |
| [5:4] | PWM AM   | Spread spectrum modulation amplitude in PWM mode. Setting these two bits to 2'b00 disables the spread spectrum function in PWM mode for all buck regulators | Pseudo random scheme:<br>00: 0, 0, 0, 0, 0, 0, 0, 0<br>01: -1, -1, 0, 0, 0, 0, +1, +1<br>10: -2, -1, -1, 0, 0, +1, +1, +2<br>11: -3, -2, -1, 0, 0, +1, +2, +3<br>Triangular scheme:<br>00: Disabled<br>01: -1%, 0, +1%<br>10: -2%, -1%, 0, +1%, +2%<br>11: -3%, -2%, -1%, 0, +1%, +2%, +3% | <00>      |
| [3:2] | Buck6 PFM AM   | Buck6 spread spectrum modulation amplitude in PFM mode  | 00: -1, -1, 0, 0, 0, 0, +1, +1<br>01: -2, -1, -1, 0, 0, +1, +1, +2<br>10: -3, -2, -1, 0, 0, +1, +2, +3<br>11: -4, -3, -1, 0, 0, +1, +3, +4   | <00>      |
| [1:0] | Buck5 PFM AM   | Buck5 spread spectrum modulation amplitude in PFM mode  | 00: -1, -1, 0, 0, 0, 0, +1, +1<br>01: -2, -1, -1, 0, 0, +1, +1, +2<br>10: -3, -2, -1, 0, 0, +1, +2, +3<br>11: -4, -3, -1, 0, 0, +1, +3, +4   | <00>      |
| 0x87  | Register Name - Spread Spectrum 2<br>Type - (RW, EEPROM) |   |  | 0x00 / 0  |
| [7:6] | Buck4 PFM AM   | Buck4 spread spectrum modulation amplitude in PFM mode  | 00: -1, -1, 0, 0, 0, 0, +1, +1<br>01: -2, -1, -1, 0, 0, +1, +1, +2<br>10: -3, -2, -1, 0, 0, +1, +2, +3<br>11: -4, -3, -1, 0, 0, +1, +3, +4   | <00>      |
| [5:4] | Buck3 PFM AM   | Buck3 spread spectrum modulation amplitude in PFM mode  | 00: -1, -1, 0, 0, 0, 0, +1, +1<br>01: -2, -1, -1, 0, 0, +1, +1, +2<br>10: -3, -2, -1, 0, 0, +1, +2, +3<br>11: -4, -3, -1, 0, 0, +1, +3, +4   | <00>      |
| [3:2] | Buck2 PFM AM   | Buck2 spread spectrum modulation amplitude in PFM mode  | 00: -1, -1, 0, 0, 0, 0, +1, +1<br>01: -2, -1, -1, 0, 0, +1, +1, +2<br>10: -3, -2, -1, 0, 0, +1, +2, +3<br>11: -4, -3, -1, 0, 0, +1, +3, +4   | <00>      |
| [1:0] | Buck1 PFM AM   | Buck1 spread spectrum modulation amplitude in PFM mode  | 00: -1, -1, 0, 0, 0, 0, +1, +1<br>01: -2, -1, -1, 0, 0, +1, +1, +2<br>10: -3, -2, -1, 0, 0, +1, +2, +3<br>11: -4, -3, -1, 0, 0, +1, +3, +4   | <00>      |
| 0x88  | Register Name - Spread Spectrum 3<br>Type - (RW, EEPROM) |   |  | 0x00 / 0  |
| [7:1] | not used   |   |  | <0000000> |
| [0]   | SS PWM Mod   | Set the spread spectrum modulation scheme in PWM mode   | 0: Triangular modulation<br>1: Pseudo random modulation  | <0>       |



|      |  |                      |  |  |
|------|--|----------------------|--|--|
| 0x89 | Register Name - Shutdown Config<br>Type - (RW, EEPROM) |                      |  | 0x02 / 2   |
|      | [7:3]  | not used             |  | <0000>   |
|      | [2]  | Shutdown Option LDO  | Config the shutdown options for all LDOs   | 0: Shut down with discharge resistors using Shut Down SR<br>1: Shut down with discharge resistors, discharge rate set by RC  |
|      | [1:0]  | Shutdown Option Buck | Config the shutdown options for all buck regulators  | 00: Shut down in forced PWM using Shut Down SR<br>01: Shut down in PFM/PWM using Shut Down SR<br>10: Shut down with discharge resistors using Shut Down SR<br>11: Shut down with discharge resistors, discharge rate set by RC |
| 0x8A | Register Name - MPIO0 Config<br>Type - (RW, EEPROM)    |                      |  | 0x0D / 13  |
|      | [7:6]  | not used             |  | <00>   |
|      | [5]  | MPIO0 Invert         | Configure the polarity of MPIO0  | 0: Active low<br>1: Active high  |
|      | [4:3]  | MPIO0 Type           | If bits[4:3] = 00, then the respective MPIOx pin is high impedance, and the device will still use the MPIOx power on/off delays if bits[2:0] are not set to 3'b000 | 00: Disabled (high impedance)<br>01: Open drain NMOS output<br>10: Open drain PMOS output<br>11: Full CMOS output  |
|      | [2:0]  | MPIO0 Function       | Bits[2:0] = 000 disables the function of the respective MPIOx pin, and the device will ignore the MPIOx power on/off delay settings.                               | 000: Disabled<br>001: Disabled<br>010: External VR PGood input<br>011: Input to I2C register<br>100: PGood output<br>101: Reset output<br>110: External VR EN output<br>111: Output from I2C output                            |
| 0x8B | Register Name - MPIO1 Config<br>Type - (RW, EEPROM)    |                      |  | 0x0D / 13  |
|      | [7:6]  | not used             |  | <00>   |
|      | [5]  | MPIO1 Invert         | Configure the polarity of MPIO1  | 0: Active low<br>1: Active high  |
|      | [4:3]  | MPIO1 Type           | If bits[4:3] = 00, then the respective MPIOx pin is high impedance, and the device will still use the MPIOx power on/off delays if bits[2:0] are not set to 3'b000 | 00: Disabled (high impedance)<br>01: Open drain NMOS output<br>10: Open drain PMOS output<br>11: Full CMOS output  |
|      | [2:0]  | MPIO1 Function       | Bits[2:0] = 000 disables the function of the respective MPIOx pin, and the device will ignore the MPIOx power on/off delay settings.                               | 000: Disabled<br>001: Disabled<br>010: External VR PGood input<br>011: Input to I2C register<br>100: PGood output<br>101: Reset output<br>110: External VR EN output<br>111: Output from I2C output                            |

|      |   |                |  |  |
|------|---|----------------|--|--|
| 0x8C | Register Name - MPIO2 Config<br>Type - (RW, EEPROM) |                |  | 0x2C / 44  |
|      | [7:6]   | not used       |  | <00>   |
|      | [5]   | MPIO2 Invert   | Configure the polarity of MPIO2  | 0: Active low<br>1: Active high<br><1>   |
|      | [4:3]   | MPIO2 Type     | If bits[4:3] = 00, then the respective MPIOx pin is high impedance, and the device will still use the MPIOx power on/off delays if bits[2:0] are not set to 3'b000 | 00: Disabled (high impedance)<br>01: Open drain NMOS output<br>10: Open drain PMOS output<br>11: Full CMOS output<br><01>  |
|      | [2:0]   | MPIO2 Function | Bits[2:0] = 000 disables the function of the respective MPIOx pin, and the device will ignore the MPIOx power on/off delay settings.                               | 000: Disabled<br>001: 32K_CLK<br>010: External VR PGood input<br>011: Input to I2C register<br>100: PGood output<br>101: Reset output<br>110: External VR EN output<br>111: Output from I2C output<br><100>  |
| 0x8D | Register Name - MPIO3 Config<br>Type - (RW, EEPROM) |                |  | 0x20 / 32  |
|      | [7:6]   | not used       |  | <00>   |
|      | [5]   | MPIO3 Invert   | Configure the polarity of MPIO3  | 0: Active low<br>1: Active high<br><1>   |
|      | [4:3]   | MPIO3 Type     | If bits[4:3] = 00, then the respective MPIOx pin is high impedance, and the device will still use the MPIOx power on/off delays if bits[2:0] are not set to 3'b000 | 00: Disabled (high impedance)<br>01: Open drain NMOS output<br>10: Open drain PMOS output<br>11: Full CMOS output<br><00>  |
|      | [2:0]   | MPIO3 Function | Bits[2:0] = 000 disables the function of the respective MPIOx pin, and the device will ignore the MPIOx power on/off delay settings.                               | 000: Disabled<br>001: SLEEP#<br>010: External VR PGood input<br>011: Input to I2C register<br>100: PGood output<br>101: Reset output<br>110: External VR EN output<br>111: Output from I2C output<br><000>   |
| 0x8E | Register Name - MPIO4 Config<br>Type - (RW, EEPROM) |                |  | 0x00 / 0   |
|      | [7:6]   | not used       |  | <00>   |
|      | [5]   | MPIO4 Invert   | Configure the polarity of MPIO4  | 0: Active low<br>1: Active high<br><0>   |
|      | [4:3]   | MPIO4 Type     | If bits[4:3] = 00, then the respective MPIOx pin is high impedance, and the device will still use the MPIOx power on/off delays if bits[2:0] are not set to 3'b000 | 00: Disabled (high impedance)<br>01: Open drain NMOS output<br>10: Open drain PMOS output<br>11: Full CMOS output<br><00>  |
|      | [2:0]   | MPIO4 Function | Bits[2:0] = 000 disables the function of the respective MPIOx pin, and the device will ignore the MPIOx power on/off delay settings.                               | 000: Disabled<br>001: WDT_RST#<br>010: External VR PGood input<br>011: Input to I2C register<br>100: PGood output<br>101: Reset output<br>110: External VR EN output<br>111: Output from I2C output<br><000> |

|      |  |                  |  |   |
|------|--|------------------|--|---|
| 0x8F | Register Name - MPIO5 Config<br>Type - (RW, EEPROM)          |                  |  | 0x01 / 1  |
|      | [7:6]  | not used         |  | <00>  |
|      | [5]  | MPIO5 Invert     | Configure the polarity of MPIO5  | 0: Active low<br>1: Active high   |
|      | [4:3]  | MPIO5 Type       | If bits[4:3] = 00, then the respective MPIOx pin is high impedance, and the device will still use the MPIOx power on/off delays if bits[2:0] are not set to 3'b000 | 00: Disabled (high impedance)<br>01: Open drain NMOS output<br>10: Open drain PMOS output<br>11: Full CMOS output   |
|      | [2:0]  | MPIO5 Function   | Bits[2:0] = 000 disables the function of the respective MPIOx pin, and the device will ignore the MPIOx power on/off delay settings.                               | 000: Disabled<br>001: CRST_IN#<br>010: External VR PGood input<br>011: Input to I2C register<br>100: PGood output<br>101: Reset output<br>110: External VR EN output<br>111: Output from I2C output |
| 0x90 | Register Name - PWRON Polarity Config<br>Type - (RW, EEPROM) |                  |  | 0x01 / 1  |
|      | [7:1]  | not used         |  | <0000000>   |
|      | [0]  | PWRON Polarity   | Select the polarity of the PWRON input in both on/off switch and push button modes   | 0: Active low<br>1: Active high   |
| 0x95 | Register Name - System Control<br>Type - (RW, Non EEPROM)    |                  |  | 0x00 / 0  |
|      | [7:2]  | not used         |  | <0000000>   |
|      | [1]  | reserved         |  | <0>   |
|      | [0]  | MPIO Config Lock | To prevent user from accidentally changing the MPIOx configurations. Once this bit is set to '1', it cannot be set back to '0' until POR                           | 0: Unlock the MPIOx Config registers at 0x8A - 0x8F<br>1: Lock the MPIOx Config registers at 0x8A - 0x8F  |
| 0xAD | Reserved for Renesas Internal Use                            |                  |  |   |
| 0xB0 | Register Name - EEPROM ID 1<br>Type - (RW, EEPROM)           |                  |  | 0x01 / 1  |
|      | [7:0]  | NVM Ver 1        | The EEPROM data is considered valid when EEPROM ID 1 or EEPROM ID 2 is programmed to non-zero value  | <00000001>  |
| 0xB1 | Register Name - EEPROM ID 2<br>Type - (RW, EEPROM)           |                  |  | 0x01 / 1  |
|      | [7:0]  | NVM Ver 2        | The EEPROM data is considered valid when EEPROM ID 1 or EEPROM ID 2 is programmed to non-zero value  | <00000001>  |
| 0xF7 | Register Name - Chip ID<br>Type - (Read-Only)                |                  |  | 0x00 / 0  |
|      | [7:0]  | PMIC ID          |  | <00000000>  |

|      |   |                       |  |  |
|------|---|-----------------------|--|--|
| 0xF8 | Register Name - HW REV<br>Type - (Read-Only)              |                       |  | 0x12 / 18  |
|      | [7:4]   | Major Rev             | 4-bit Major Revision   | 0x0 = x<br>0x1 = Rev A<br>0x2 = Rev B<br>0x3 = Rev C<br>....   |
|      | [3:0]   | Minor Rev             | 4-bit Minor Revision   | 0x0 = x<br>0x1 = 1st tape-out within a major revision<br>0x2 = 2nd tape-out within a major revision<br>0x3 = 3rd tape-out within a major revision<br>... |
| 0xFF | Register Name - EEPROM Control<br>Type - (RW, Non EEPROM) |                       |  | 0x00 / 0   |
|      | [7:4]   | not used              |  | <0000>   |
|      | [3]   | reserved              |  | <0>  |
|      | [2]   | reserved              |  | <0>  |
|      | [1]   | Write EEPROM Customer | Write all customer registers to EEPROM                                     | 0: Do Nothing<br>1: Write reg data to EEPROM (customer banks), set bit LOW after write done  |
|      | [0]   | EE Read               | Reload EEPROM data to registers - (without resetting reg to all '0' first) | 0: Do Nothing<br>1: Recall all the data from EEPROM and write to the registers, set bit LOW after loading done   |

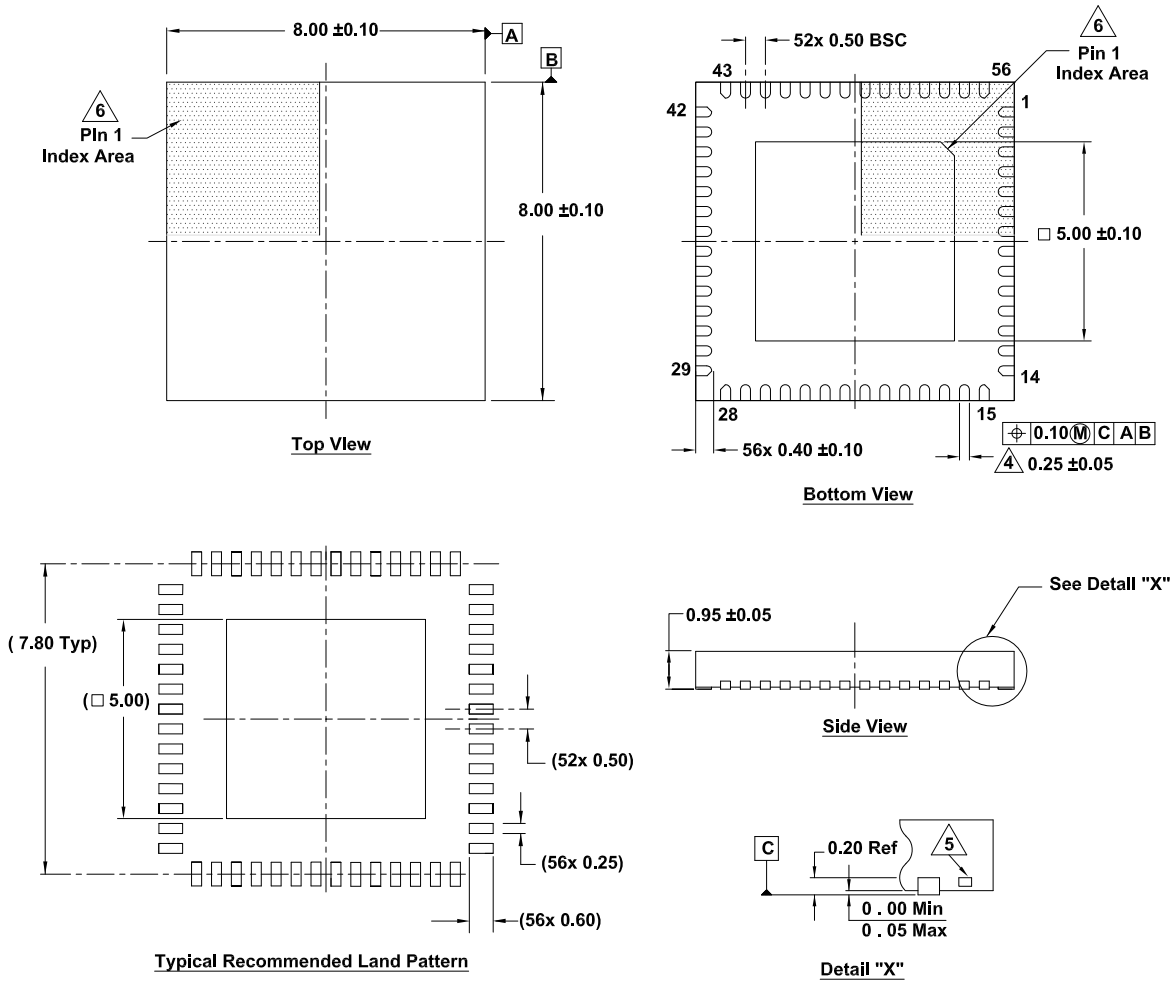
### 13. Package Outline Drawing

For the most recent package outline drawing, see [L56.8x8I](#).

L56.8x8I

56 Lead Quad Flat No-lead Plastic Package (5x5mm Exposed Paddle)

Rev 0, 11/20



**Notes:**

- Dimensions are in millimeters.  
Dimensions in ( ) for reference only.
- Dimensioning and tolerancing conform to ASME Y14.5m-1994.
- Unless otherwise specified, tolerance: Decimal  $\pm 0.05$
- Dimension applies to the metallized terminal and is measured between 0.15mm and 0.30mm from the terminal tip.
- Tiebar shown (if present) is a non-functional feature.
- The configuration of the pin #1 Identifier is optional, but must be located within the zone indicated. The pin #1 Identifier is either a mold or mark feature.

## 14. Ordering Information

| Part Number <sup>[1][2][3]</sup> | Part Marking                            | Package Description <sup>[4]</sup><br>(RoHS Compliant) | Pkg. Dwg.<br>#           | Carrier<br>Type <sup>[5]</sup> | Supported<br>MPUs             |
|----------------------------------|---|--|--------------------------|--------------------------------|-------------------------------|
| RAA215300A2GNP#HA0               | 215300B00                               | 56 Lead, 8.8mm QFN                                     | <a href="#">L56.8x8I</a> | Reel, 1k                       | RZ/G2L,<br>RZ/G2LC,<br>RZ/V2L |
| RTKA215300DE0000BU               | Evaluation board for RAA215300A2GNP#HA0 |  |                          |                                |                               |
| RTKA215300E00000BU               | Socket board                            |  |                          |                                |                               |

- These Pb-free plastic packaged products employ special Pb-free material sets, molding compounds/die attach materials, and 100% matte tin plate plus anneal (e3 termination finish, which is RoHS compliant and compatible with both SnPb and Pb-free soldering operations). Pb-free products are MSL classified at Pb-free peak reflow temperatures that meet or exceed the Pb-free requirements of IPC/JEDEC J-STD-020.
- For Moisture Sensitivity Level (MSL), see the [RAA215300](#) product page. For more information about MSL, see [TB363](#).
- For a list of variants and key differences between them, see [RAA215300 Datasheet Addendum](#).
- For the Pb-Free Reflow Profile, see [TB493](#).
- See [TB347](#) for details about reel specifications.

## 15. Revision History

| Revision | Date         | Description   |
|----------|--------------|---|
| 1.05     | Oct 21, 2024 | Removed all variant information from file.<br>Updated typical application diagram.<br>Updated Pin 29 description.<br>Updated PGOOD Output section.<br>Updated Using an External Clock section.<br>Updated Analog Trimming with On-Chip Load Capacitance section.<br>Updated Note 3 in the Ordering Information table. |
| 1.04     | Apr 19, 2024 | Added another line to the Buck4 Output Voltage DC Accuracy specification.<br>Updated Table 11.<br>Updated the Register Map for 0x04, 0x36, 0x37 registers.<br>Updated the Clock and Calendar Registers [Address 0x00 to 0x06] section.<br>Updated the Clock section.<br>Updated Supercapacitor Backup Time section.   |
| 1.03     | Jul 26, 2023 | Added typical application diagram for RAA215300A2GNP#HA5.<br>Updated Figures 11 and 13.<br>Updated Alarm section.<br>Updated Alarm Registers Addresses [0x0C to 0x11] section.  |
| 1.02     | May 19, 2023 | Added new part numbers RAA215300A2GNP#HA3 and RAA215300A2GNP#HA5 in the Part Number Differences section and the ordering information table.<br>Updated Ordering Information table.<br>Updated Chip Enable section.  |

| Revision | Date         | Description   |
|----------|--------------|---|
| 1.01     | Mar 20, 2023 | Added description for VREFIN pin in the Pin Descriptions table and the Device Specific Layout Guidelines table.<br>Updated Figures 9, 10, 11, 12 in section I2C Write Operation and I2C Read Operation.<br>Added description in section {RESET}.<br>Added description in section Output Discharge.<br>Added description in section Unused Buck.<br>Added description in section Unused LDOx.<br>Updated VTTREF section.<br>Added a figure and updated the description in section VREFIN UVLO.<br>Updated External VR PGOOD Input section.<br>Minor updates to the register map details table. |
| 1.00     | Sep 28, 2022 | Initial release   |

## IMPORTANT NOTICE AND DISCLAIMER

RENESAS ELECTRONICS CORPORATION AND ITS SUBSIDIARIES (“RENESAS”) PROVIDES TECHNICAL SPECIFICATIONS AND RELIABILITY DATA (INCLUDING DATASHEETS), DESIGN RESOURCES (INCLUDING REFERENCE DESIGNS), APPLICATION OR OTHER DESIGN ADVICE, WEB TOOLS, SAFETY INFORMATION, AND OTHER RESOURCES “AS IS” AND WITH ALL FAULTS, AND DISCLAIMS ALL WARRANTIES, EXPRESS OR IMPLIED, INCLUDING, WITHOUT LIMITATION, ANY IMPLIED WARRANTIES OF MERCHANTABILITY, FITNESS FOR A PARTICULAR PURPOSE, OR NON-INFRINGEMENT OF THIRD-PARTY INTELLECTUAL PROPERTY RIGHTS.

These resources are intended for developers who are designing with Renesas products. You are solely responsible for (1) selecting the appropriate products for your application, (2) designing, validating, and testing your application, and (3) ensuring your application meets applicable standards, and any other safety, security, or other requirements. These resources are subject to change without notice. Renesas grants you permission to use these resources only to develop an application that uses Renesas products. Other reproduction or use of these resources is strictly prohibited. No license is granted to any other Renesas intellectual property or to any third-party intellectual property. Renesas disclaims responsibility for, and you will fully indemnify Renesas and its representatives against, any claims, damages, costs, losses, or liabilities arising from your use of these resources. Renesas' products are provided only subject to Renesas' Terms and Conditions of Sale or other applicable terms agreed to in writing. No use of any Renesas resources expands or otherwise alters any applicable warranties or warranty disclaimers for these products.

(Disclaimer Rev.1.01 Jan 2024)

### Corporate Headquarters

TOYOSU FORESIA, 3-2-24 Toyosu,  
Koto-ku, Tokyo 135-0061, Japan  
[www.renesas.com](http://www.renesas.com)

### Trademarks

Renesas and the Renesas logo are trademarks of Renesas Electronics Corporation. All trademarks and registered trademarks are the property of their respective owners.

### Contact Information

For further information on a product, technology, the most up-to-date version of a document, or your nearest sales office, please visit [www.renesas.com/contact-us/](http://www.renesas.com/contact-us/).