

To our customers,

Old Company Name in Catalogs and Other Documents

On April 1st, 2010, NEC Electronics Corporation merged with Renesas Technology Corporation, and Renesas Electronics Corporation took over all the business of both companies. Therefore, although the old company name remains in this document, it is a valid Renesas Electronics document. We appreciate your understanding.

Renesas Electronics website: <http://www.renesas.com>

April 1st, 2010
Renesas Electronics Corporation

Issued by: Renesas Electronics Corporation (<http://www.renesas.com>)

Send any inquiries to <http://www.renesas.com/inquiry>.

Not recommended
for new design

Notice

1. All information included in this document is current as of the date this document is issued. Such information, however, is subject to change without any prior notice. Before purchasing or using any Renesas Electronics products listed herein, please confirm the latest product information with a Renesas Electronics sales office. Also, please pay regular and careful attention to additional and different information to be disclosed by Renesas Electronics such as that disclosed through our website.
2. Renesas Electronics does not assume any liability for infringement of patents, copyrights, or other intellectual property rights of third parties by or arising from the use of Renesas Electronics products or technical information described in this document. No license, express, implied or otherwise, is granted hereby under any patents, copyrights or other intellectual property rights of Renesas Electronics or others.
3. You should not alter, modify, copy, or otherwise misappropriate any Renesas Electronics product, whether in whole or in part.
4. Descriptions of circuits, software and other related information in this document are provided only to illustrate the operation of semiconductor products and application examples. You are fully responsible for the incorporation of these circuits, software, and information in the design of your equipment. Renesas Electronics assumes no responsibility for any losses incurred by you or third parties arising from the use of these circuits, software, or information.
5. When exporting the products or technology described in this document, you should comply with the applicable export control laws and regulations and follow the procedures required by such laws and regulations. You should not use Renesas Electronics products or the technology described in this document for any purpose relating to military applications or use by the military, including but not limited to the development of weapons of mass destruction. Renesas Electronics products and technology may not be used for or incorporated into any products or systems whose manufacture, use, or sale is prohibited under any applicable domestic or foreign laws or regulations.
6. Renesas Electronics has used reasonable care in preparing the information included in this document, but Renesas Electronics does not warrant that such information is error free. Renesas Electronics assumes no liability whatsoever for any damages incurred by you resulting from errors in or omissions from the information included herein.
7. Renesas Electronics products are classified according to the following three quality grades: “Standard”, “High Quality”, and “Specific”. The recommended applications for each Renesas Electronics product depends on the product’s quality grade, as indicated below. You must check the quality grade of each Renesas Electronics product before using it in a particular application. You may not use any Renesas Electronics product for any application categorized as “Specific” without the prior written consent of Renesas Electronics. Further, you may not use any Renesas Electronics product for any application for which it is not intended without the prior written consent of Renesas Electronics. Renesas Electronics shall not be in any way liable for any damages or losses incurred by you or third parties arising from the use of any Renesas Electronics product for an application categorized as “Specific” or for which the product is not intended where you have failed to obtain the prior written consent of Renesas Electronics. The quality grade of each Renesas Electronics product is “Standard” unless otherwise expressly specified in a Renesas Electronics data sheets or data books, etc.
 - “Standard”: Computers; office equipment; communications equipment; test and measurement equipment; audio and visual equipment; home electronic appliances; machine tools; personal electronic equipment; and industrial robots.
 - “High Quality”: Transportation equipment (automobiles, trains, ships, etc.); traffic control systems; anti-disaster systems; anti-crime systems; safety equipment; and medical equipment not specifically designed for life support.
 - “Specific”: Aircraft; aerospace equipment; submersible repeaters; nuclear reactor control systems; medical equipment or systems for life support (e.g. artificial life support devices or systems), surgical implantations, or healthcare intervention (e.g. excision, etc.), and any other applications or purposes that pose a direct threat to human life.
8. You should use the Renesas Electronics products described in this document within the range specified by Renesas Electronics, especially with respect to the maximum rating, operating supply voltage range, movement power voltage range, heat radiation characteristics, installation and other product characteristics. Renesas Electronics shall have no liability for malfunctions or damages arising out of the use of Renesas Electronics products beyond such specified ranges.
9. Although Renesas Electronics endeavors to improve the quality and reliability of its products, semiconductor products have specific characteristics such as the occurrence of failure at a certain rate and malfunctions under certain use conditions. Further, Renesas Electronics products are not subject to radiation resistance design. Please be sure to implement safety measures to guard them against the possibility of physical injury, and injury or damage caused by fire in the event of the failure of a Renesas Electronics product, such as safety design for hardware and software including but not limited to redundancy, fire control and malfunction prevention, appropriate treatment for aging degradation or any other appropriate measures. Because the evaluation of microcomputer software alone is very difficult, please evaluate the safety of the final products or system manufactured by you.
10. Please contact a Renesas Electronics sales office for details as to environmental matters such as the environmental compatibility of each Renesas Electronics product. Please use Renesas Electronics products in compliance with all applicable laws and regulations that regulate the inclusion or use of controlled substances, including without limitation, the EU RoHS Directive. Renesas Electronics assumes no liability for damages or losses occurring as a result of your noncompliance with applicable laws and regulations.
11. This document may not be reproduced or duplicated, in any form, in whole or in part, without prior written consent of Renesas Electronics.
12. Please contact a Renesas Electronics sales office if you have any questions regarding the information contained in this document or Renesas Electronics products, or if you have any other inquiries.

(Note 1) “Renesas Electronics” as used in this document means Renesas Electronics Corporation and also includes its majority-owned subsidiaries.

(Note 2) “Renesas Electronics product(s)” means any product developed or manufactured by or for Renesas Electronics.

DESCRIPTION

R8A66165~R8A66168 are high voltage LED array driver having n-bit serial input and parallel output shift register function with direct coupled reset input and output latch function.

These products guarantees the output current of 24mA which is sufficient for anode common LED drive, capable of following n-bits continuously at the same time. Parallel output is 24V high voltage open drain output.

In addition, as this product has been designed in complete CMOS, power consumption can be greatly reduced when compared with conventional BIPOLAR or Bi-CMOS products.

The product part number and the parallel data outputs number are shown in the following table.

Part number	Parallel data outputs number n	$\overline{Q1} \sim \overline{Qn}$	SQn
R8A66165SP	8-Bit	$\overline{Q1} \sim \overline{Q8}$	SQ8
R8A66166SP	16-Bit	$\overline{Q1} \sim \overline{Q16}$	SQ16
R8A66167SP	24-Bit	$\overline{Q1} \sim \overline{Q24}$	SQ24
R8A66168SP	32-Bit	$\overline{Q1} \sim \overline{Q32}$	SQ32

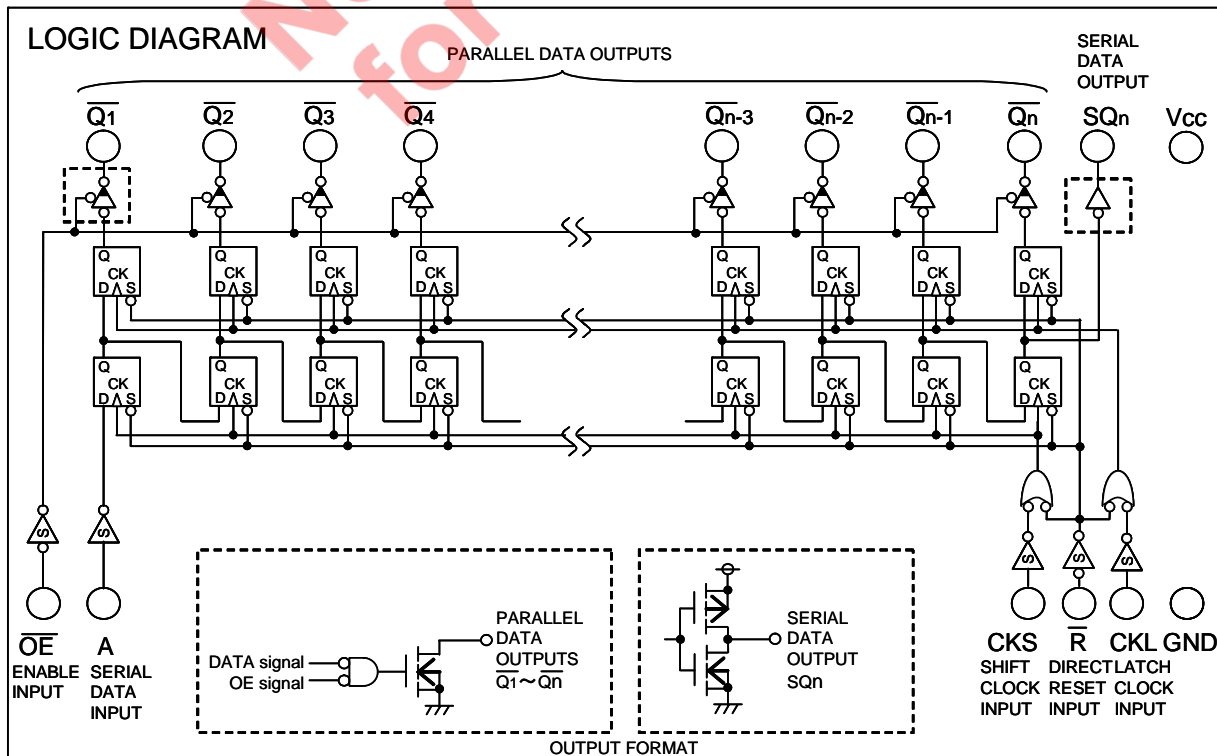
FEATURES

- Anode common LED drive
- Vcc 5V or 3.3V single power supply
- High voltage, High output current: all parallel outputs $\overline{Q1} \sim \overline{Qn}$ Vo =24V high voltage, IOL =24mA simultaneous lighting available
- Low power dissipation: 100uW/package (max) (Vcc =5.0V, Ta =25°C, quiescent state)
- High noise margin: Schmitt input circuit provides responsiveness to a long line length
- Equipped with direct-coupled reset
- Open drain output: (except serial data output SQn)
- Wide operating temperature range: Ta = -40°C~+85°C

APPLICATION

- LED array drive, The various high voltage LED display modules

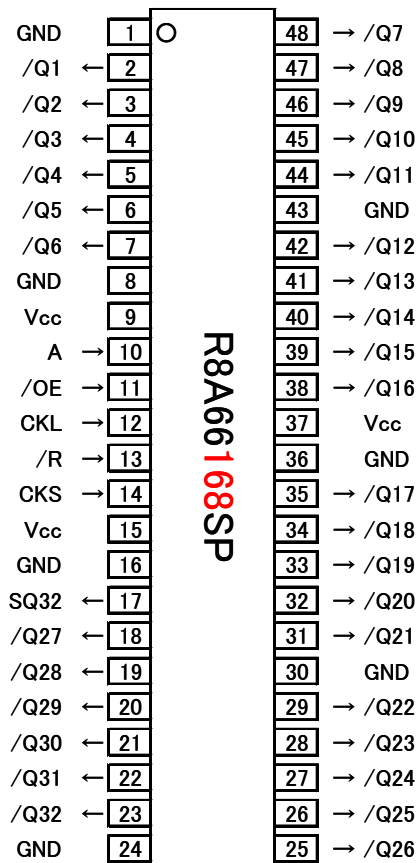
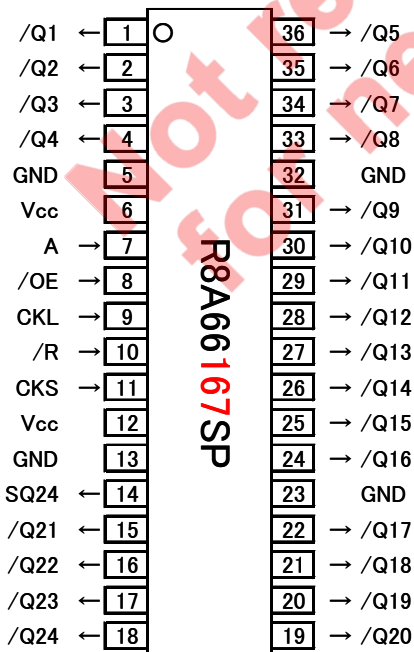
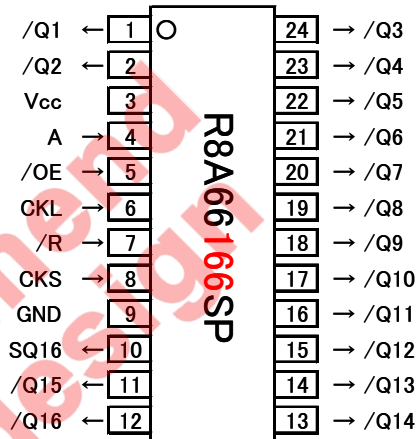
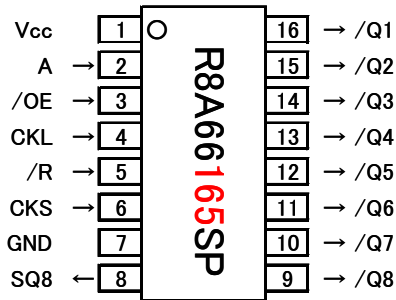
BLOCK DIAGRAM



PIN SPECIFICATION

Pin Name	Symbol	In/Out	R8A66165SP	R8A66166SP	R8A66167SP	R8A66168SP
			8-BIT	16-BIT	24-BIT	32-BIT
DIRECT RESET INPUT	/R	Input	1	1	1	1
SERIAL DATA INPUT	A	Input	1	1	1	1
SHIFT CLOCK INPUT	CKS	Input	1	1	1	1
LATCH CLOCK INPUT	CKL	Input	1	1	1	1
ENABLE INPUT	/OE	Input	1	1	1	1
PARALLEL DATA OUTPUTS	/Q1~/Qn	Output	8	16	24	32
SERIAL DATA OUTPUT	SQn	Output	1	1	1	1
Vcc	Vcc	-	1	1	2	3
GND	GND	-	1	1	4	7
Total pin count			16	24	36	48

PIN CONFIGURATION (TOP VIEW)



FUNCTIONAL DESCRIPTION

As R8A66165~R8A66168 uses silicon gate CMOS process. It realizes high-speed and high-output currents sufficient for LED drive while maintaining low power consumption and allowance for high noises.

Each bit of a shift register consists of two flip-flop having independent clocks for shifting and latching.

As for clock input, shift clock input CKS and latch clock input CKL are independent from each other, shift and latch operations being made when "L" changes to "H".

Serial data input A is the data input of the first-step shift register and the signal of A shifts shifting registers one by one when a pulse is impressed to CKS. When A is "H", the signal of "L" shifts.

When the pulse is impressed to CKL, the contents of the shifting register at that time are stored in a latching register, and they appear in the parallel data outputs from $\overline{Q_1} \sim \overline{Q_n}$.

Outputs $\overline{Q_1} \sim \overline{Q_n}$ are 24V high voltage open drain outputs.

To extend the number of bits, use the serial data output SQn which shows the output of the shifting register of the last n bit.

When reset input \overline{R} is changed to "L", $\overline{Q_1} \sim \overline{Q_n}$ and SQn are reset. In this case, shifting and latching register are set.

If "H" is impressed to output enable input \overline{OE} , $\overline{Q_1} \sim \overline{Q_n}$ reaches the high impedance state, but SQn does not reach the high impedance state. Furthermore, change in \overline{OE} does not affect shift operation.

FUNCTION TABLE (Note 1)

Operation mode	Input					Parallel data output										Serial data output SQn	Remarks
	\overline{R}	CKS	CKL	A	\overline{OE}	$\overline{Q_1}$	$\overline{Q_2}$	$\overline{Q_3}$	$\overline{Q_4}$	-----	$\overline{Q_{n-3}}$	$\overline{Q_{n-2}}$	$\overline{Q_{n-1}}$	$\overline{Q_n}$			
Reset	L	X	X	X	X	Z	Z	Z	Z	-----	Z	Z	Z	Z	L	—	
Shift Latch operation	Shift t1	H	↑	X	H	$\overline{Q_1^0}$	$\overline{Q_2^0}$	$\overline{Q_3^0}$	$\overline{Q_4^0}$	-----	$\overline{Q_{n-3}^0}$	$\overline{Q_{n-2}^0}$	$\overline{Q_{n-1}^0}$	$\overline{Q_n^0}$	q_{n-1}^0	Output Lighting "H"	
	Latch t2	H	X	↑	X	L	q1 ⁰	q2 ⁰	q3 ⁰	-----	qn-4 ⁰	qn-3 ⁰	qn-2 ⁰	qn-1 ⁰	qn-1 ⁰	Output Lighting "H"	
	Shift t1	H	↑	X	L	$\overline{Q_1^0}$	$\overline{Q_2^0}$	$\overline{Q_3^0}$	$\overline{Q_4^0}$	-----	$\overline{Q_{n-3}^0}$	$\overline{Q_{n-2}^0}$	$\overline{Q_{n-1}^0}$	$\overline{Q_n^0}$	q_{n-1}^0	Output Lights-out "L"	
	Latch t2	H	X	↑	X	L	q1 ⁰	q2 ⁰	q3 ⁰	-----	qn-4 ⁰	qn-3 ⁰	qn-2 ⁰	qn-1 ⁰	qn-1 ⁰	Output Lights-out "L"	
Output disable	X	X	X	X	H	Z	Z	Z	Z	-----	Z	Z	Z	Z	qn	—	

Note1: ↑ : Change from low-level to high-level

\overline{Q}^0 : Output state \overline{Q} before CKL changed

X : Irrelevant

q⁰ : Contents of shift register before CKS changed

q : Contents of shift register

t1, t2 : t2 is set after t1 is set

Z : High impedance

ABSOLUTE MAXIMUM RATINGS (Ta=-40~+85°C, unless otherwise noted)

Symbol	Parameter	Conditions	Ratings	Unit	
VCC	Supply voltage		-0.5~+7.0	V	
Vi	Input voltage		-0.5~VCC+0.5	V	
VO	Output voltage	$\overline{Q1} \sim \overline{Qn}$	-0.5~+27	V	
		SQn	-0.5~VCC+0.5	V	
Io	Output current per Output pin	$\overline{Q1} \sim \overline{Qn}$	50	mA	
		SQn	±25		
ICC	Supply / GND current	R8A66165SP	VCC, GND	-20, +220	mA
		R8A66166SP		-20, +410	
		R8A66167SP		-20, +600	
		R8A66168SP		-20, +790	
Pd	Power dissipation	R8A66165SP		500	mW
		R8A66166SP		500	
		R8A66167SP		650	
		R8A66168SP		650	
Tstg	Storage temperature range		-65~150	°C	

RECOMMENDED OPERATING CONDITIONS (Ta=-40~+85°C, unless otherwise noted)

Symbol	Parameter	Limits			Unit	
		Min.	Typ.	Max.		
VCC	Supply voltage	5.0V support	4.5	5.0	5.5	V
		3.3V support	3.0	3.3	3.6	V
Vi	Input voltage	0		VCC	V	
VO	Output voltage	SQn	0		VCC	V
		$\overline{Q1} \sim \overline{Qn}$ IOZH ≤ 10uA	0		24	V
Topr	Operating temperature range	-40		85	°C	

ELECTRICAL CHARACTERISTICS (Ta=-40~+85°C, VCC=3.0~5.5V, unless otherwise noted)

Symbol	Parameter	Test conditions		Limits			Unit
				Min.	Typ.	Max.	
VT+	Positive-going threshold voltage	VO=0.1V, VCC=0.1V		0.48xVCC		0.70xVCC	V
VT-	Negative-going threshold voltage	VO=0.1V, VCC=0.1V		0.20xVCC		0.46xVCC	V
VOL	Low-level output voltage $\overline{Q1} \sim \overline{Qn}$	VI=VT+, VT-	IOL=24mA (Note 3)			0.55	V
VOH	High-level output voltage SQn	VI=VT+, VT-	IOH=-4mA	VCC-0.40			V
VOL	Low-level output voltage SQn	VI=VT+, VT-	IOL=4mA			0.40	V
IiH	High-level input current	VI=VCC				5	uA
IiL	Low-level input current	VI=GND				-5	uA
IOZ	Off-state output leak current $\overline{Q1} \sim \overline{Qn}$	VI=VT+, VT-	VO=0~24V			±10	uA
ICC	Quiescent supply current	VI=VCC, GND				1	mA

Note2 : ELECTRICAL CHARACTERISTICS (except ICC) above is the specification per a pin.

Note3 : Each pin of $\overline{Q1} \sim \overline{Qn}$ guarantees IOL=24mA.
Simultaneous lighting of all n-bits is available both for dynamic and static lighting.

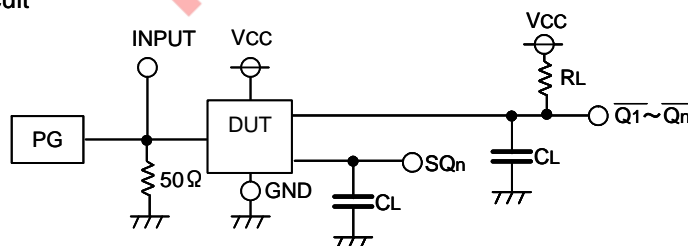
SWITCHING CHARACTERISTICS (Ta=-40~+85°C, Vcc=5.0V or 3.3V)

Symbol	Parameter		Test conditions	5.0V specification			3.3V specification			Unit
				Min.	Typ.	Max.	Min.	Typ.	Max.	
fmax	Maximum clock frequency		CL=50pF RL=1KΩ (Note 4)			4			3.3	MHz
tPLH	Output "L-H" and "H-L" propagation time	CKS-SQn				125			150	ns
tPHL	Output "H-L" propagation time	R-SQn				125			150	ns
tPLZ	Output "L-Z" propagation time	R-Q1~Qn (turned off)				200			220	ns
tPZL	Output "Z-L" propagation time	CKL-Q1~Qn (turned on)				125			150	ns
tPLZ	Output "L-Z" propagation time	CKL-Q1~Qn (turned off)				200			220	ns
tPZL	Output "Z-L" propagation time	OE-Q1~Qn (turned on)				125			150	ns
tPLZ	Output "L-Z" propagation time	OE-Q1~Qn (turned off)				200			220	ns
CI	Input capacitance				10			10	pF	

TIMING REQUIREMENTS (Ta=-40~+85°C, Vcc=5.0V or 3.3V)

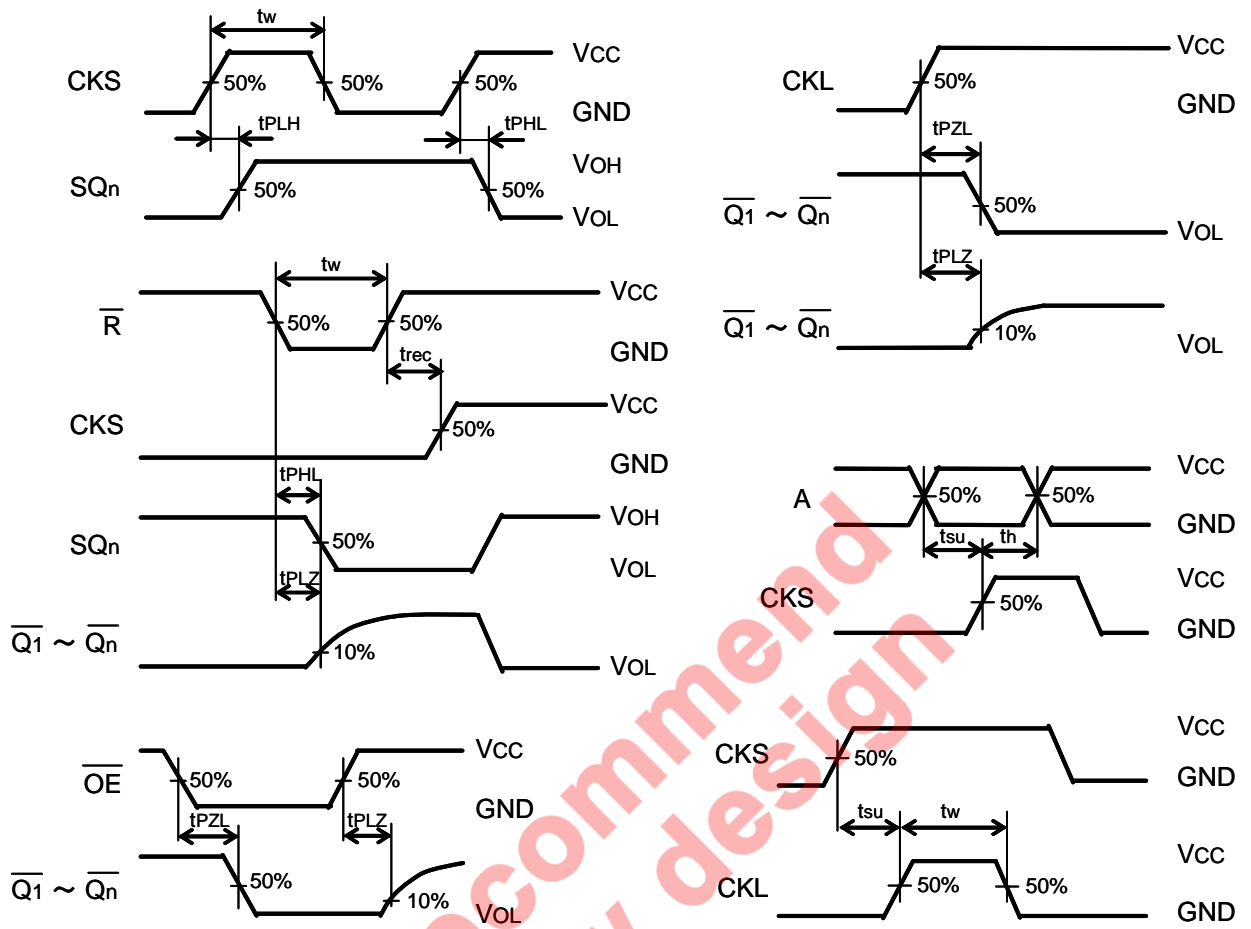
Symbol	Parameter		Test conditions	5.0V specification			3.3V specification			Unit
				Min.	Typ.	Max.	Min.	Typ.	Max.	
tw	CKS, CKL, R pulse width		(Note 4)	125			150			ns
tsu	A setup time with respect to CKS			125			150			ns
tsu	CKS setup time with respect to CKL			125			150			ns
th	A hold time with respect to CKS			15			20			ns
trec	R recovery time with respect to CKS, CKL			70			80			ns

Note 4 : Test Circuit



- (1) The pulse generator (PG) has the following characteristics (10%~90%): $t_r = 6\text{ns}$, $t_f = 6\text{ns}$.
- (2) The capacitance CL includes stray wiring capacitance and the probe input capacitance.

TIMING DIAGRAM



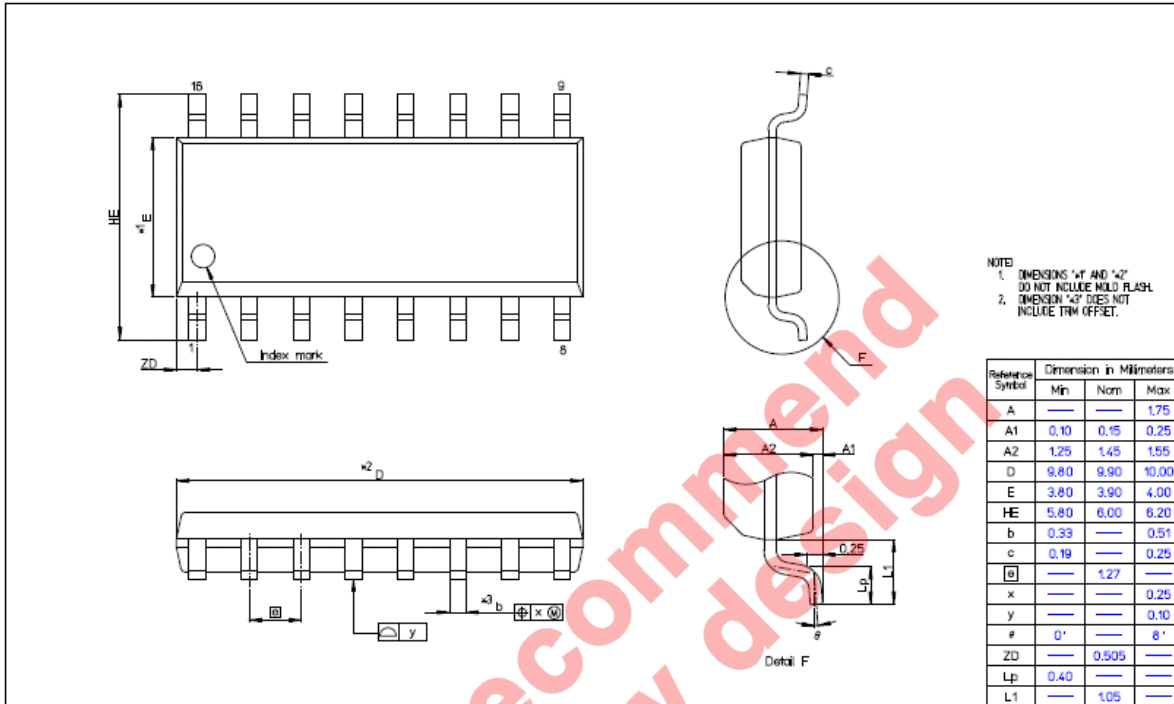
Not recommended for new design

PACKAGE OUTLINE

Product part number	Package	RENESAS Code	Previous Code
R8A66165SP	16pin SOP	PRSP0016DJ-A	16P2X-E
R8A66166SP	24pin SOP	PRSP0024DF-A	24P2X-B
R8A66167SP	36pin SSOP	PRSP0036GC-A	36P2X-B
R8A66168SP	48pin SSOP	PRSP0048ZB-A	48P2X-A

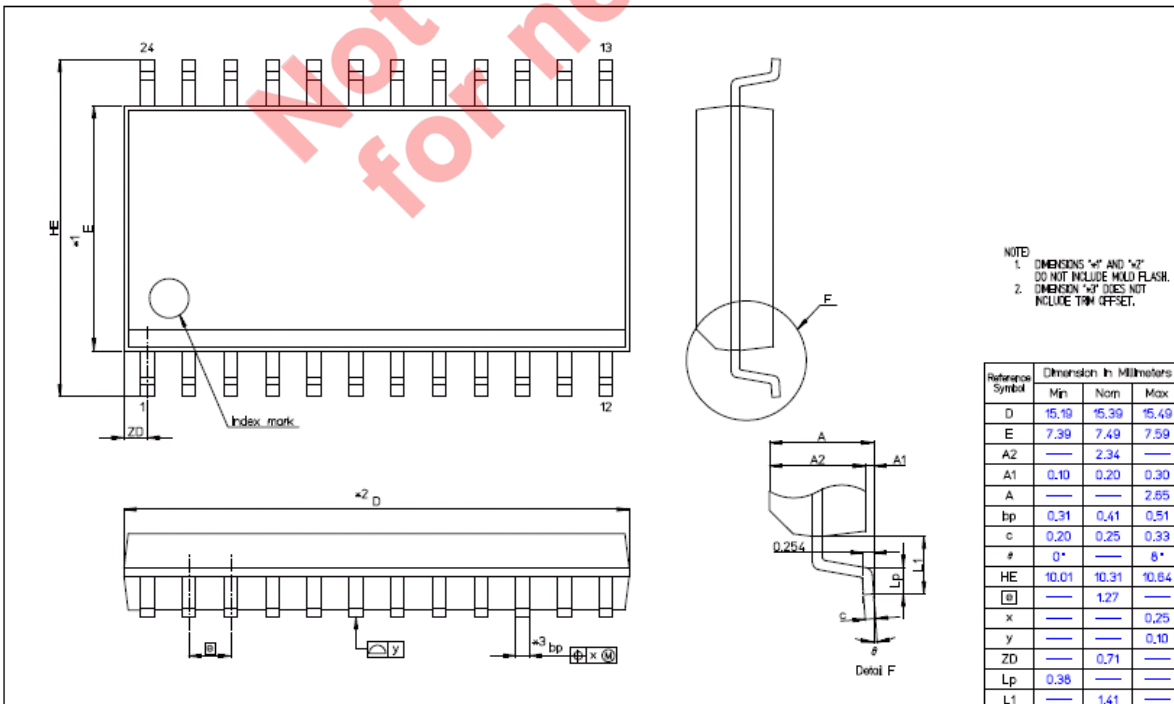
R8A66165SP

PRSP0016DJ-A



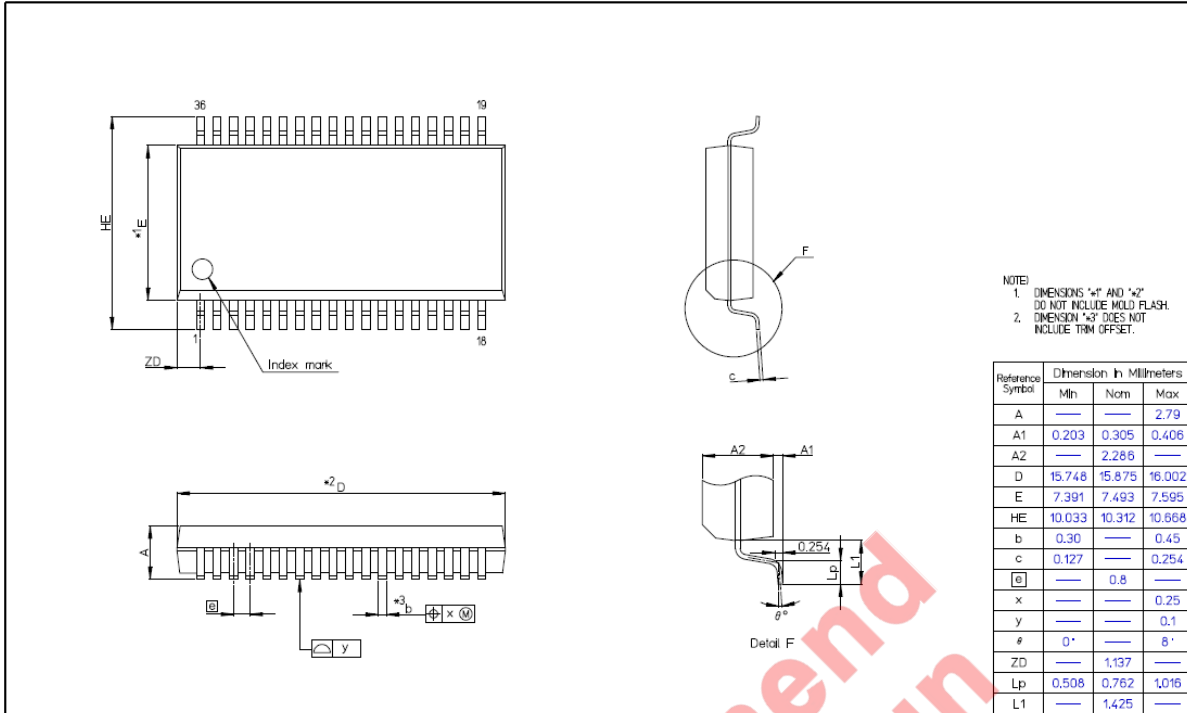
R8A66166SP

PRSP0024DF-A



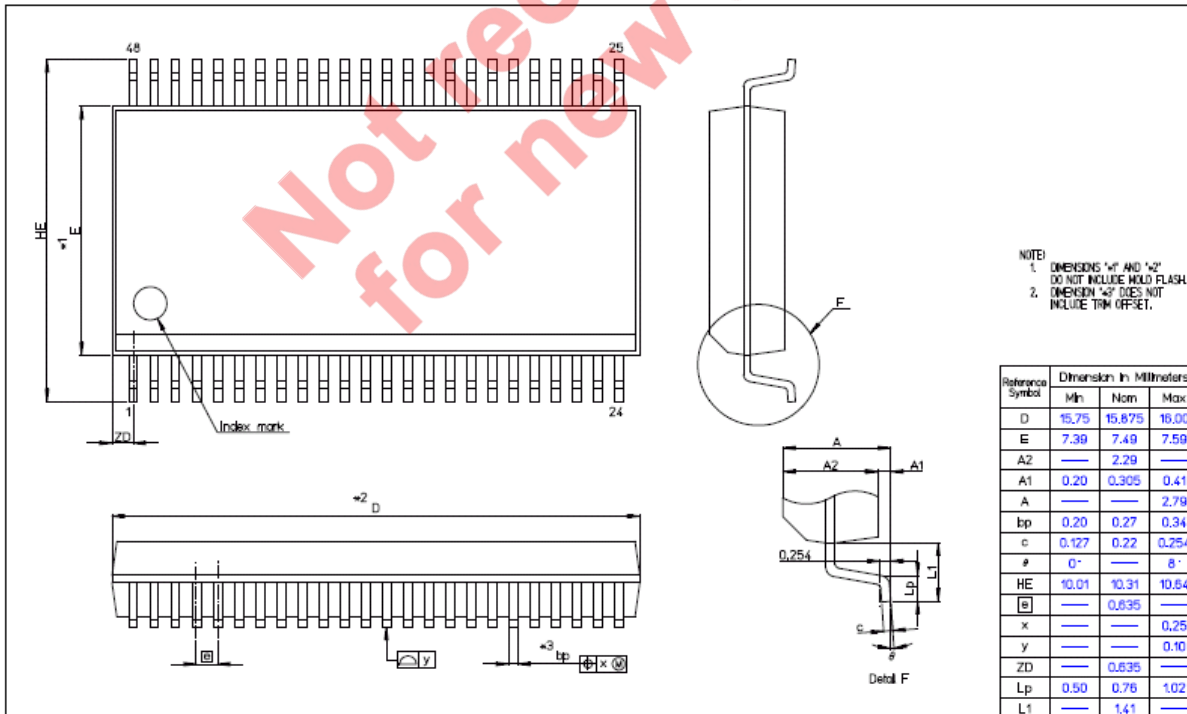
R8A66167SP

PRSP0036GC-A



R8A66168SP

PRSP0048ZB-A



All trademarks and registered trademarks are the property of their respective owners.

Notes:

1. This document is provided for reference purposes only so that Renesas customers may select the appropriate Renesas products for their use. Renesas neither makes warranties or representations with respect to the accuracy or completeness of the information contained in this document nor grants any license to any intellectual property rights or any other rights of Renesas or any third party with respect to the information in this document.
2. Renesas shall have no liability for damages or infringement of any intellectual property or other rights arising out of the use of any information in this document, including, but not limited to, product data, diagrams, charts, programs, algorithms, and application circuit examples.
3. You should not use the products or the technology described in this document for the purpose of military applications such as the development of weapons of mass destruction or for the purpose of any other military use. When exporting the products or technology described herein, you should follow the applicable export control laws and regulations, and procedures required by such laws and regulations.
4. All information included in this document such as product data, diagrams, charts, programs, algorithms, and application circuit examples, is current as of the date this document is issued. Such information, however, is subject to change without any prior notice. Before purchasing or using any Renesas products listed in this document, please confirm the latest product information with a Renesas sales office. Also, please pay regular and careful attention to additional and different information to be disclosed by Renesas such as that disclosed through our website. (<http://www.renesas.com>)
5. Renesas has used reasonable care in compiling the information included in this document, but Renesas assumes no liability whatsoever for any damages incurred as a result of errors or omissions in the information included in this document.
6. When using or otherwise relying on the information in this document, you should evaluate the information in light of the total system before deciding about the applicability of such information to the intended application. Renesas makes no representations, warranties or guarantees regarding the suitability of its products for any particular application and specifically disclaims any liability arising out of the application and use of the information in this document or Renesas products.
7. With the exception of products specified by Renesas as suitable for automobile applications, Renesas products are not designed, manufactured or tested for applications or otherwise in systems the failure or malfunction of which may cause a direct threat to human life or create a risk of human injury or which require especially high quality and reliability such as safety systems, or equipment or systems for transportation and traffic, healthcare, combustion control, aerospace and aeronautics, nuclear power, or undersea communication transmission. If you are considering the use of our products for such purposes, please contact a Renesas sales office beforehand. Renesas shall have no liability for damages arising out of the uses set forth above.
8. Notwithstanding the preceding paragraph, you should not use Renesas products for the purposes listed below:
 - (1) artificial life support devices or systems
 - (2) surgical implantations
 - (3) healthcare intervention (e.g., excision, administration of medication, etc.)
 - (4) any other purposes that pose a direct threat to human lifeRenesas shall have no liability for damages arising out of the uses set forth in the above and purchasers who elect to use Renesas products in any of the foregoing applications shall indemnify and hold harmless Renesas Technology Corp., its affiliated companies and their officers, directors, and employees against any and all damages arising out of such applications.
9. You should use the products described herein within the range specified by Renesas, especially with respect to the maximum rating, operating supply voltage range, movement power voltage range, heat radiation characteristics, installation and other product characteristics. Renesas shall have no liability for malfunctions or damages arising out of the use of Renesas products beyond such specified ranges.
10. Although Renesas endeavors to improve the quality and reliability of its products, IC products have specific characteristics such as the occurrence of failure at a certain rate and malfunctions under certain use conditions. Please be sure to implement safety measures to guard against the possibility of physical injury, and injury or damage caused by fire in the event of the failure of a Renesas product, such as safety design for hardware and software including but not limited to redundancy, fire control and malfunction prevention, appropriate treatment for aging degradation or any other applicable measures. Among others, since the evaluation of microcomputer software alone is very difficult, please evaluate the safety of the final products or system manufactured by you.
11. In case Renesas products listed in this document are detached from the products to which the Renesas products are attached or affixed, the risk of accident such as swallowing by infants and small children is very high. You should implement safety measures so that Renesas products may not be easily detached from your products. Renesas shall have no liability for damages arising out of such detachment.
12. This document may not be reproduced or duplicated, in any form, in whole or in part, without prior written approval from Renesas.
13. Please contact a Renesas sales office if you have any questions regarding the information contained in this document, Renesas semiconductor products, or if you have any other inquiries.



RENESAS SALES OFFICES

<http://www.renesas.com>

Refer to "<http://www.renesas.com/en/network>" for the latest and detailed information.

Renesas Technology America, Inc.
450 Holger Way, San Jose, CA 95134-1368, U.S.A
Tel: <1> (408) 382-7500, Fax: <1> (408) 382-7501

Renesas Technology Europe Limited
Dukes Meadow, Millboard Road, Bourne End, Buckinghamshire, SL8 5FH, U.K.
Tel: <44> (1628) 585-100, Fax: <44> (1628) 585-900

Renesas Technology (Shanghai) Co., Ltd.
Unit 204, 205, AZIA Center, No.1233 Lujiazui Ring Rd, Pudong District, Shanghai, China 200120
Tel: <86> (21) 5877-1818, Fax: <86> (21) 6887-7858/7898

Renesas Technology Hong Kong Ltd.
7th Floor, North Tower, World Finance Centre, Harbour City, Canton Road, Tsimshatsui, Kowloon, Hong Kong
Tel: <852> 2265-6688, Fax: <852> 2377-3473

Renesas Technology Taiwan Co., Ltd.
10th Floor, No.99, Fushing North Road, Taipei, Taiwan
Tel: <886> (2) 2715-2888, Fax: <886> (2) 3518-3399

Renesas Technology Singapore Pte. Ltd.
1 Harbour Front Avenue, #06-10, Keppel Bay Tower, Singapore 098632
Tel: <65> 6213-0200, Fax: <65> 6278-8001

Renesas Technology Korea Co., Ltd.
Kukje Center Bldg. 18th Fl., 191, 2-ka, Hangang-ro, Yongsan-ku, Seoul 140-702, Korea
Tel: <82> (2) 796-3115, Fax: <82> (2) 796-2145

Renesas Technology Malaysia Sdn. Bhd
Unit 906, Block B, Menara Amcorp, Amcorp Trade Centre, No.18, Jln Persiaran Barat, 46050 Petaling Jaya, Selangor Darul Ehsan, Malaysia
Tel: <603> 7955-9390, Fax: <603> 7955-9510