

To our customers,

Old Company Name in Catalogs and Other Documents

On April 1st, 2010, NEC Electronics Corporation merged with Renesas Technology Corporation, and Renesas Electronics Corporation took over all the business of both companies. Therefore, although the old company name remains in this document, it is a valid Renesas Electronics document. We appreciate your understanding.

Renesas Electronics website: <http://www.renesas.com>

April 1st, 2010
Renesas Electronics Corporation

Issued by: Renesas Electronics Corporation (<http://www.renesas.com>)

Send any inquiries to <http://www.renesas.com/inquiry>.

Not recommended
for new design

Notice

1. All information included in this document is current as of the date this document is issued. Such information, however, is subject to change without any prior notice. Before purchasing or using any Renesas Electronics products listed herein, please confirm the latest product information with a Renesas Electronics sales office. Also, please pay regular and careful attention to additional and different information to be disclosed by Renesas Electronics such as that disclosed through our website.
2. Renesas Electronics does not assume any liability for infringement of patents, copyrights, or other intellectual property rights of third parties by or arising from the use of Renesas Electronics products or technical information described in this document. No license, express, implied or otherwise, is granted hereby under any patents, copyrights or other intellectual property rights of Renesas Electronics or others.
3. You should not alter, modify, copy, or otherwise misappropriate any Renesas Electronics product, whether in whole or in part.
4. Descriptions of circuits, software and other related information in this document are provided only to illustrate the operation of semiconductor products and application examples. You are fully responsible for the incorporation of these circuits, software, and information in the design of your equipment. Renesas Electronics assumes no responsibility for any losses incurred by you or third parties arising from the use of these circuits, software, or information.
5. When exporting the products or technology described in this document, you should comply with the applicable export control laws and regulations and follow the procedures required by such laws and regulations. You should not use Renesas Electronics products or the technology described in this document for any purpose relating to military applications or use by the military, including but not limited to the development of weapons of mass destruction. Renesas Electronics products and technology may not be used for or incorporated into any products or systems whose manufacture, use, or sale is prohibited under any applicable domestic or foreign laws or regulations.
6. Renesas Electronics has used reasonable care in preparing the information included in this document, but Renesas Electronics does not warrant that such information is error free. Renesas Electronics assumes no liability whatsoever for any damages incurred by you resulting from errors in or omissions from the information included herein.
7. Renesas Electronics products are classified according to the following three quality grades: “Standard”, “High Quality”, and “Specific”. The recommended applications for each Renesas Electronics product depends on the product’s quality grade, as indicated below. You must check the quality grade of each Renesas Electronics product before using it in a particular application. You may not use any Renesas Electronics product for any application categorized as “Specific” without the prior written consent of Renesas Electronics. Further, you may not use any Renesas Electronics product for any application for which it is not intended without the prior written consent of Renesas Electronics. Renesas Electronics shall not be in any way liable for any damages or losses incurred by you or third parties arising from the use of any Renesas Electronics product for an application categorized as “Specific” or for which the product is not intended where you have failed to obtain the prior written consent of Renesas Electronics. The quality grade of each Renesas Electronics product is “Standard” unless otherwise expressly specified in a Renesas Electronics data sheets or data books, etc.
 - “Standard”: Computers; office equipment; communications equipment; test and measurement equipment; audio and visual equipment; home electronic appliances; machine tools; personal electronic equipment; and industrial robots.
 - “High Quality”: Transportation equipment (automobiles, trains, ships, etc.); traffic control systems; anti-disaster systems; anti-crime systems; safety equipment; and medical equipment not specifically designed for life support.
 - “Specific”: Aircraft; aerospace equipment; submersible repeaters; nuclear reactor control systems; medical equipment or systems for life support (e.g. artificial life support devices or systems), surgical implantations, or healthcare intervention (e.g. excision, etc.), and any other applications or purposes that pose a direct threat to human life.
8. You should use the Renesas Electronics products described in this document within the range specified by Renesas Electronics, especially with respect to the maximum rating, operating supply voltage range, movement power voltage range, heat radiation characteristics, installation and other product characteristics. Renesas Electronics shall have no liability for malfunctions or damages arising out of the use of Renesas Electronics products beyond such specified ranges.
9. Although Renesas Electronics endeavors to improve the quality and reliability of its products, semiconductor products have specific characteristics such as the occurrence of failure at a certain rate and malfunctions under certain use conditions. Further, Renesas Electronics products are not subject to radiation resistance design. Please be sure to implement safety measures to guard them against the possibility of physical injury, and injury or damage caused by fire in the event of the failure of a Renesas Electronics product, such as safety design for hardware and software including but not limited to redundancy, fire control and malfunction prevention, appropriate treatment for aging degradation or any other appropriate measures. Because the evaluation of microcomputer software alone is very difficult, please evaluate the safety of the final products or system manufactured by you.
10. Please contact a Renesas Electronics sales office for details as to environmental matters such as the environmental compatibility of each Renesas Electronics product. Please use Renesas Electronics products in compliance with all applicable laws and regulations that regulate the inclusion or use of controlled substances, including without limitation, the EU RoHS Directive. Renesas Electronics assumes no liability for damages or losses occurring as a result of your noncompliance with applicable laws and regulations.
11. This document may not be reproduced or duplicated, in any form, in whole or in part, without prior written consent of Renesas Electronics.
12. Please contact a Renesas Electronics sales office if you have any questions regarding the information contained in this document or Renesas Electronics products, or if you have any other inquiries.

(Note 1) “Renesas Electronics” as used in this document means Renesas Electronics Corporation and also includes its majority-owned subsidiaries.

(Note 2) “Renesas Electronics product(s)” means any product developed or manufactured by or for Renesas Electronics.

DESCRIPTION

The R8A66162SP is a semiconductor integrated circuit for LED array driver with 32-bit serial-input, parallel - output shift register, equipped with direct set input and output latches. The R8A66162SP guarantees sufficient 24mA (Vcc=5.0V case) output current to drive anode common LED, allowing 32-bit simultaneous and continuous current output. The parallel outputs are open-drain outputs. In addition, as this product has been designed in complete CMOS, power consumption can be greatly reduced when compared with conventional BIPOLAR or Bi-CMOS products. Furthermore, pin layout ensures the realization of an easy printed circuit. R8A66162SP is the succession product of M66313FP.

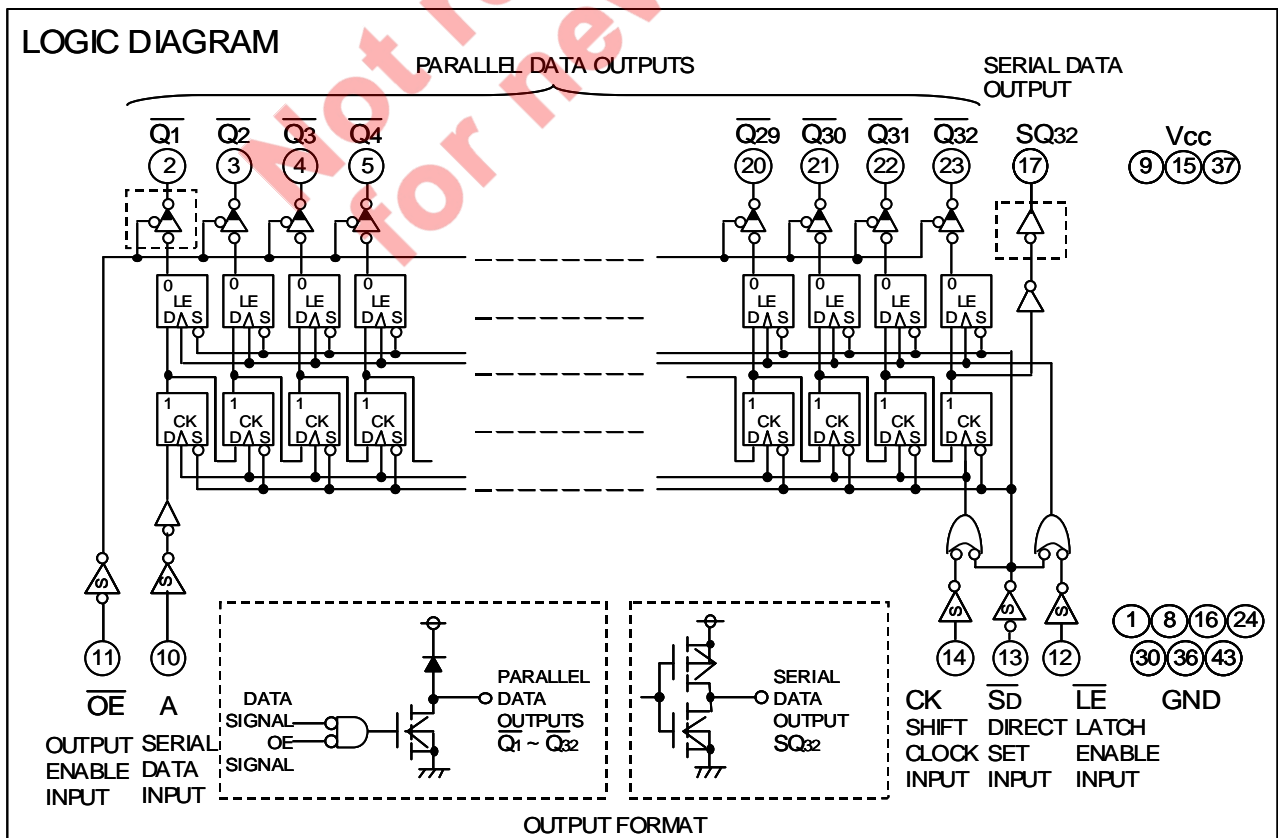
FEATURES

- Anode common LED drive
- Vcc 5V or 3.3V single power supply
- High output current: All parallel outputs $\overline{Q_1} \sim \overline{Q_{32}}$ IOL=24mA (at VCC=5.0V), IOL=12mA (at VCC=3.3V), LEDs can be turned on simultaneously.
- Low power dissipation: 200uW/package (max) (VCC=5.0V, Ta=25°C, quiescent state)
- High noise margin: Employment of Schmitt-trigger circuit on all inputs allows application with long wiring.
- Direct set input (\overline{SD})
- Open-drain output ($\overline{Q_1} \sim \overline{Q_{32}}$)
- Serial data output for cascading (SQ₃₂)
- Wide operating temperature range (Ta=-40°C~+85°C)
- Pin configuration for easy layout on PCB. (Pin configuration allows easy cascade connection or LED connection)

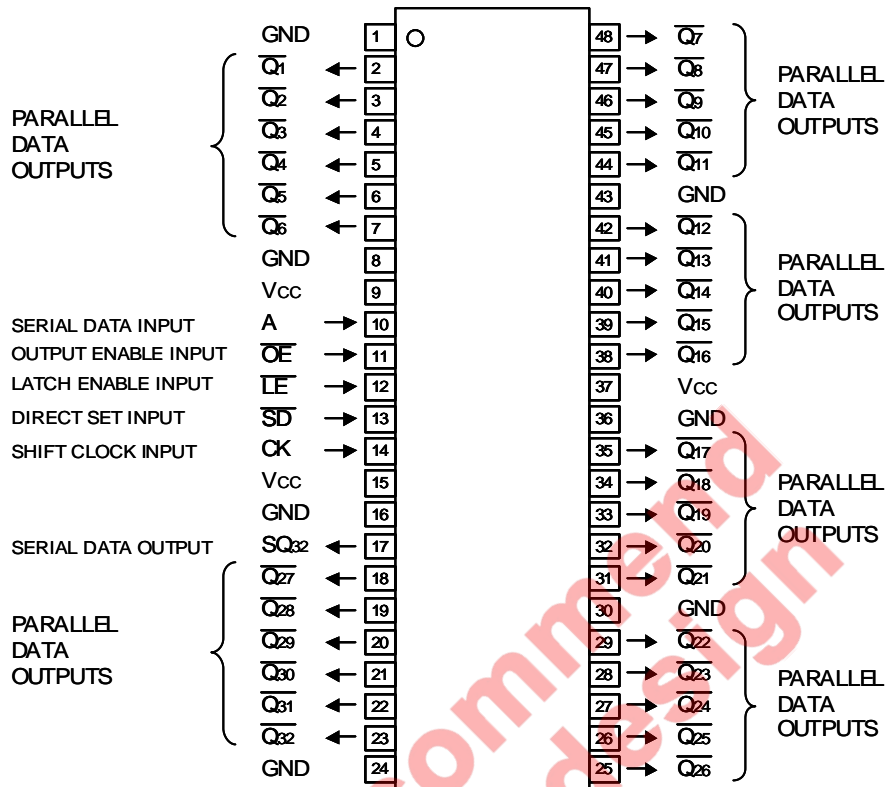
APPLICATION

- LED array drive, The various LED display modules
- PPC, Printer, VCR, Mini-compo, Button-Telephone etc. All of LED display equipments

BLOCK DIAGRAM



PIN CONFIGURATION (TOP VIEW)



FUNCTIONAL DESCRIPTION

The employment of silicon gate CMOS process of the R8A66162SP guarantees low power dissipation and maintains high noise margin as well as high output current and high speed required to drive LEDs.

Each shift register bit consists of a flip-flop for shifting and an output latch.

The shift operation takes place when the shift clock input CK changes from low-level to high-level.

The serial data input A corresponds to the data input of the first-stage shift register, and the shift register is shifted in sequence when a pulse is applied to CK.

If the latch-enable input LE is turned high-level, the content of the shift register at that instant is latched.

The parallel data outputs Q₁~Q₃₂ are open-drain outputs.

To expand the number of bits, use the serial data output SQ₃₂ which shows the output of the shift register of the 32nd bit.

If the direct set input SD is turned low-level, Q₁~Q₃₂ and SQ₃₂ are set. Then shift register and latches are set.

If the high-level input is applied to the output enable input OE, Q₁~Q₃₂ are set to the high-impedance state, but SQ₃₂ is not set to the high-impedance state. The shift operation is not affected when OE is changed.

FUNCTION TABLE (Note: 1)

OPERATION MODE	INPUT					PARALLEL OUTPUTS																																SERIAL OUTPUT SQ ₃₂	
	\overline{SD}	CK	\overline{LE}	A	\overline{OE}	$\overline{Q_1}$	$\overline{Q_2}$	$\overline{Q_3}$	$\overline{Q_4}$	$\overline{Q_5}$	$\overline{Q_6}$	$\overline{Q_7}$	$\overline{Q_8}$	$\overline{Q_9}$	$\overline{Q_{10}}$	$\overline{Q_{11}}$	$\overline{Q_{12}}$	$\overline{Q_{13}}$	$\overline{Q_{14}}$	$\overline{Q_{15}}$	$\overline{Q_{16}}$	$\overline{Q_{17}}$	$\overline{Q_{18}}$	$\overline{Q_{19}}$	$\overline{Q_{20}}$	$\overline{Q_{21}}$	$\overline{Q_{22}}$	$\overline{Q_{23}}$	$\overline{Q_{24}}$	$\overline{Q_{25}}$	$\overline{Q_{26}}$	$\overline{Q_{27}}$	$\overline{Q_{28}}$	$\overline{Q_{29}}$	$\overline{Q_{30}}$	$\overline{Q_{31}}$	$\overline{Q_{32}}$		
SET	L	X	X	X	L	L	L	L	L	L	L	L	L	L	L	L	L	L	L	L	L	L	L	L	L	L	L	L	L	L	L	L	L	L	L	L	L	L	H
SHIFT	H		L	H	L	L	Q ⁰ ₁	Q ⁰ ₂	Q ⁰ ₃	Q ⁰ ₄	Q ⁰ ₅	Q ⁰ ₆	Q ⁰ ₇	Q ⁰ ₈	Q ⁰ ₉	Q ⁰ ₁₀	Q ⁰ ₁₁	Q ⁰ ₁₂	Q ⁰ ₁₃	Q ⁰ ₁₄	Q ⁰ ₁₅	Q ⁰ ₁₆	Q ⁰ ₁₇	Q ⁰ ₁₈	Q ⁰ ₁₉	Q ⁰ ₂₀	Q ⁰ ₂₁	Q ⁰ ₂₂	Q ⁰ ₂₃	Q ⁰ ₂₄	Q ⁰ ₂₅	Q ⁰ ₂₆	Q ⁰ ₂₇	Q ⁰ ₂₈	Q ⁰ ₂₉	Q ⁰ ₃₀	Q ⁰ ₃₁	q ⁰ ₃₁	
	H		L	L	L	Z	Q ⁰ ₁	Q ⁰ ₂	Q ⁰ ₃	Q ⁰ ₄	Q ⁰ ₅	Q ⁰ ₆	Q ⁰ ₇	Q ⁰ ₈	Q ⁰ ₉	Q ⁰ ₁₀	Q ⁰ ₁₁	Q ⁰ ₁₂	Q ⁰ ₁₃	Q ⁰ ₁₄	Q ⁰ ₁₅	Q ⁰ ₁₆	Q ⁰ ₁₇	Q ⁰ ₁₈	Q ⁰ ₁₉	Q ⁰ ₂₀	Q ⁰ ₂₁	Q ⁰ ₂₂	Q ⁰ ₂₃	Q ⁰ ₂₄	Q ⁰ ₂₅	Q ⁰ ₂₆	Q ⁰ ₂₇	Q ⁰ ₂₈	Q ⁰ ₂₉	Q ⁰ ₃₀	Q ⁰ ₃₁	q ⁰ ₃₁	
LATCH	H	X	H	X	L	Q ⁰ ₁	Q ⁰ ₂	Q ⁰ ₃	Q ⁰ ₄	Q ⁰ ₅	Q ⁰ ₆	Q ⁰ ₇	Q ⁰ ₈	Q ⁰ ₉	Q ⁰ ₁₀	Q ⁰ ₁₁	Q ⁰ ₁₂	Q ⁰ ₁₃	Q ⁰ ₁₄	Q ⁰ ₁₅	Q ⁰ ₁₆	Q ⁰ ₁₇	Q ⁰ ₁₈	Q ⁰ ₁₉	Q ⁰ ₂₀	Q ⁰ ₂₁	Q ⁰ ₂₂	Q ⁰ ₂₃	Q ⁰ ₂₄	Q ⁰ ₂₅	Q ⁰ ₂₆	Q ⁰ ₂₇	Q ⁰ ₂₈	Q ⁰ ₂₉	Q ⁰ ₃₀	Q ⁰ ₃₁	q ⁰ ₃₂		
OUTPUT DIS-ABLE	X	X	X	X	H	Z	Z	Z	Z	Z	Z	Z	Z	Z	Z	Z	Z	Z	Z	Z	Z	Z	Z	Z	Z	Z	Z	Z	Z	Z	Z	Z	Z	Z	Z	Z	Z	q ⁰ ₃₂	

- Note 1.
- $\overline{}$: Transition from low-to-high-level
 - Q⁰ : Shows the status of output Q before CK input changes
 - X : Irrelevant
 - q⁰ : The content of shift register before CK changes
 - q : The content of shift register
 - Z : High-impedance state

ABSOLUTE MAXIMUM RATINGS (Ta=-40~85°C, unless otherwise noted)

Symbol	Parameter	Conditions	Ratings	Unit
V _{cc}	Supply voltage		-0.5~+7.0	V
V _I	Input voltage		-0.5~V _{cc} +0.5	V
V _O	Output voltage		-0.5~V _{cc} +0.5	V
I _O	Output current per output pin	$\overline{Q_1} \sim \overline{Q_{32}}$	50	mA
		SQ ₃₂	±25	
I _{cc}	Supply/GND current	V _{cc} , GND	-920, +20	mA
P _d	Power dissipation		650	mW
T _{stg}	Storage temperature range		-65~150	°C

RECOMMENDED OPERATING CONDITIONS (Ta=-40~85°C, unless otherwise noted)

Symbol	Parameter	Limits			Unit	
		Min.	Typ.	Max.		
V _{cc}	Supply voltage	5.0V support	4.5	5.0	5.5	V
		3.3V support	3.0	3.3	3.6	V
V _I	Input voltage	0		V _{cc}	V	
V _O	Output voltage	0		V _{cc}	V	
T _{opr}	Operating temperature range	-40		85	°C	

ELECTRICAL CHARACTERISTICS

■ 5.0V version support specifications (Ta=-40~85°C, Vcc=4.5V~5.5V, unless otherwise noted)

Symbol	Parameter		Test conditions		Limits			Unit
					Min.	Typ.	Max.	
V _{T+}	Positive going threshold voltage				0.35xV _{cc}		0.70xV _{cc}	V
V _{T-}	Negative going threshold voltage				0.20xV _{cc}		0.55xV _{cc}	V
V _{OH}	High level output voltage	SQ ₃₂	V _I =V _{T+} , V _{T-} V _{cc} =4.5V	I _{OH} =-20uA I _{OH} =-4mA	V _{cc} -0.1 3.66			V
V _{OL}	Low level output voltage	Q ₁ ~Q ₃₂	V _I =V _{T+} , V _{T-} V _{cc} =4.5V	I _{OL} =20uA			0.10	V
				I _{OL} =24mA			0.50	
				I _{OL} =28mA			0.55 _(Note2)	
		SQ ₃₂		I _{OL} =20uA			0.10	
				I _{OL} =4mA			0.53	
I _{IH}	High level input current		V _I =V _{cc} V _{cc} =5.5V				5	uA
I _{IL}	Low level input current		V _I =GND V _{cc} =5.5V				-5	uA
I _O	Maximum output leakage current	Q ₁ ~Q ₃₂	V _I =V _{T+} , V _{T-} V _{cc} =5.5V	V _O =V _{cc}			10	uA
				V _O =GND			-10	
I _{cc}	Quiescent supply current		V _I =V _{cc} , GND V _{cc} =5.5V				400	uA

Note2 : Ta = -40~70°C

■ 3.3V version support specifications (Ta=-40~85°C, Vcc=3.0V~3.6V, unless otherwise noted)

Symbol	Parameter		Test conditions		Limits			Unit
					Min.	Typ.	Max.	
V _{T+}	Positive going threshold voltage				0.35xV _{cc}		0.70xV _{cc}	V
V _{T-}	Negative going threshold voltage				0.20xV _{cc}		0.55xV _{cc}	V
V _{OH}	High level output voltage	SQ ₃₂	V _I =V _{T+} , V _{T-} V _{cc} =3.0V	I _{OH} =-20uA I _{OH} =-2mA	V _{cc} -0.1 2.60			V
V _{OL}	Low level output voltage	Q ₁ ~Q ₃₂	V _I =V _{T+} , V _{T-} V _{cc} =3.0V	I _{OL} =20uA			0.10	V
				I _{OL} =12mA			0.54	
		SQ ₃₂		I _{OL} =20uA			0.10	
				I _{OL} =2mA			0.40	
I _{IH}	High level input current		V _I =V _{cc} V _{cc} =3.6V				5	uA
I _{IL}	Low level input current		V _I =GND V _{cc} =3.6V				-5	uA
I _O	Maximum output leakage current	Q ₁ ~Q ₃₂	V _I =V _{T+} , V _{T-} V _{cc} =3.6V	V _O =V _{cc}			10	uA
				V _O =GND			-10	
I _{cc}	Quiescent supply current		V _I =V _{cc} , GND V _{cc} =3.6V				400	uA

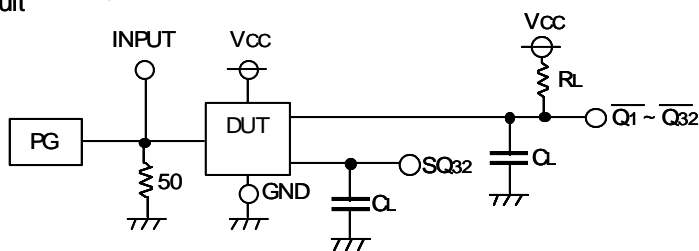
SWITCHING CHARACTERISTICS (Ta=-40~85°C, Vcc=5.0V or 3.3V, unless otherwise noted)

Symbol	Parameter	Test conditions	5.0V specification			3.3V specification			Unit	
			Min.	Typ.	Max.	Min.	Typ.	Max.		
f _{max}	Maximum clock frequency	C _L =50pF R _L =1kΩ (Note3)			4			3.3	MHz	
tPZL	Output "Z-L" and "L-Z" propagation time		CK-Q ₁ ~Q ₃₂ (Turned on)			200			220	ns
tPLZ			CK-Q ₁ ~Q ₃₂ (Turned off)			250			270	ns
tPLH	Output "L-H" and "H-L" propagation time		CK-SQ ₃₂			125			150	ns
tPHL						125			150	ns
tPZL	Output "Z-L" propagation time		S _D -Q ₁ ~Q ₃₂ (Turned on)			200			220	ns
tPLH	Output "L-H" propagation time		S _D -SQ ₃₂			125			150	ns
tPZL	Output "Z-L" and "L-Z" propagation time		LE-Q ₁ ~Q ₃₂ (Turned on)			125			150	ns
tPLZ			LE-Q ₁ ~Q ₃₂ (Turned off)			200			220	ns
tPZL	Output "Z-L" and "L-Z" propagation time		OE-Q ₁ ~Q ₃₂ (Turned on)			125			150	ns
tPLZ		OE-Q ₁ ~Q ₃₂ (Turned off)			200			220	ns	
C _I	Input capacitance				10			10	pF	
C _O	Output capacitance	OE=Vcc			15			15	pF	

TIMING REQUIREMENTS (Ta=-40~85°C, Vcc=5.0V or 3.3V, unless otherwise noted)

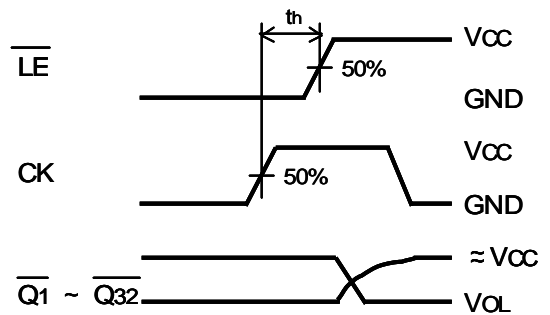
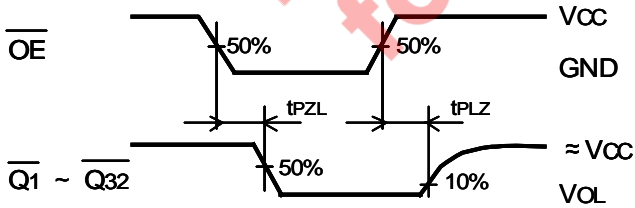
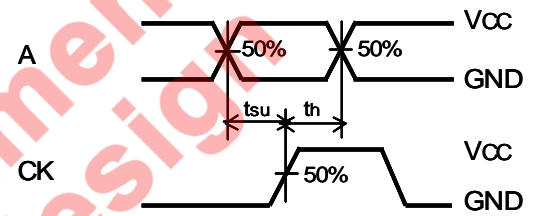
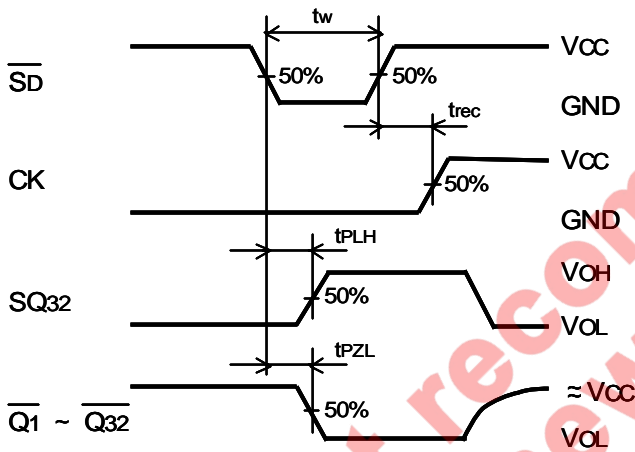
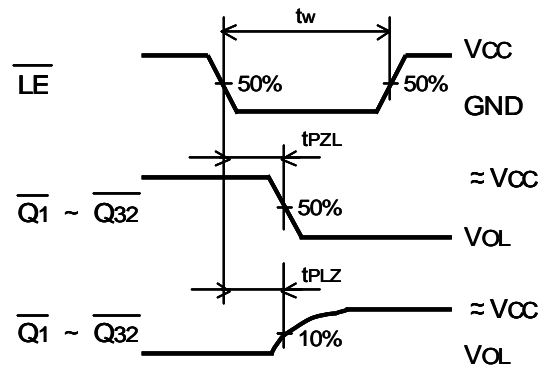
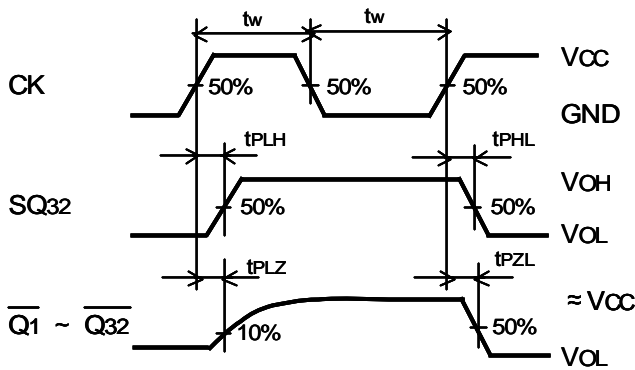
Symbol	Parameter	Test conditions	5.0V specification			3.3V specification			Unit
			Min.	Typ.	Max.	Min.	Typ.	Max.	
t _w	CK, LE, S _D pulse width	(Note3)	125			150			ns
t _{su}	Setup time A to CK		125			150			ns
t _h	Hold time A to CK		15			20			ns
	Hold time LE to CK		70			80			ns
t _{rec}	Recovery time CK to S _D		70			80			ns

Note3. Test circuit



- (1) The pulse generator(PG) has the following characteristics(10%~90%):tr=6ns,tf=6ns
- (2) The capacitance CL includes stray wiring capacitance and the probe input capacitance.

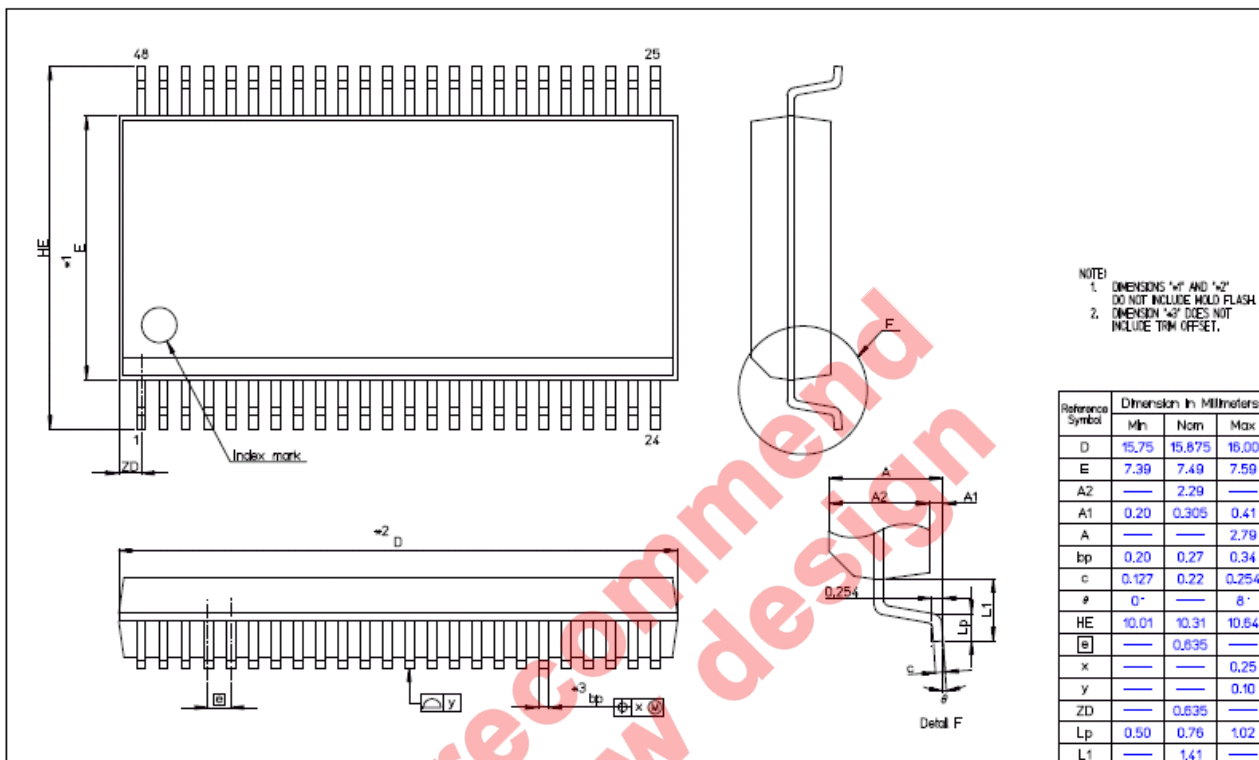
TIMING DIAGRAM



Not recommended for new designs

PACKAGE OUTLINE

Package	RENESAS Code	Previous Code
48pin SSOP	PRSP0048ZB-A	48P2X-A



Not recommended for new design

All trademarks and registered trademarks are the property of their respective owners.

Notes:

1. This document is provided for reference purposes only so that Renesas customers may select the appropriate Renesas products for their use. Renesas neither makes warranties or representations with respect to the accuracy or completeness of the information contained in this document nor grants any license to any intellectual property rights or any other rights of Renesas or any third party with respect to the information in this document.
2. Renesas shall have no liability for damages or infringement of any intellectual property or other rights arising out of the use of any information in this document, including, but not limited to, product data, diagrams, charts, programs, algorithms, and application circuit examples.
3. You should not use the products or the technology described in this document for the purpose of military applications such as the development of weapons of mass destruction or for the purpose of any other military use. When exporting the products or technology described herein, you should follow the applicable export control laws and regulations, and procedures required by such laws and regulations.
4. All information included in this document such as product data, diagrams, charts, programs, algorithms, and application circuit examples, is current as of the date this document is issued. Such information, however, is subject to change without any prior notice. Before purchasing or using any Renesas products listed in this document, please confirm the latest product information with a Renesas sales office. Also, please pay regular and careful attention to additional and different information to be disclosed by Renesas such as that disclosed through our website. (<http://www.renesas.com>)
5. Renesas has used reasonable care in compiling the information included in this document, but Renesas assumes no liability whatsoever for any damages incurred as a result of errors or omissions in the information included in this document.
6. When using or otherwise relying on the information in this document, you should evaluate the information in light of the total system before deciding about the applicability of such information to the intended application. Renesas makes no representations, warranties or guarantees regarding the suitability of its products for any particular application and specifically disclaims any liability arising out of the application and use of the information in this document or Renesas products.
7. With the exception of products specified by Renesas as suitable for automobile applications, Renesas products are not designed, manufactured or tested for applications or otherwise in systems the failure or malfunction of which may cause a direct threat to human life or create a risk of human injury or which require especially high quality and reliability such as safety systems, or equipment or systems for transportation and traffic, healthcare, combustion control, aerospace and aeronautics, nuclear power, or undersea communication transmission. If you are considering the use of our products for such purposes, please contact a Renesas sales office beforehand. Renesas shall have no liability for damages arising out of the uses set forth above.
8. Notwithstanding the preceding paragraph, you should not use Renesas products for the purposes listed below:
 - (1) artificial life support devices or systems
 - (2) surgical implantations
 - (3) healthcare intervention (e.g., excision, administration of medication, etc.)
 - (4) any other purposes that pose a direct threat to human lifeRenesas shall have no liability for damages arising out of the uses set forth in the above and purchasers who elect to use Renesas products in any of the foregoing applications shall indemnify and hold harmless Renesas Technology Corp., its affiliated companies and their officers, directors, and employees against any and all damages arising out of such applications.
9. You should use the products described herein within the range specified by Renesas, especially with respect to the maximum rating, operating supply voltage range, movement power voltage range, heat radiation characteristics, installation and other product characteristics. Renesas shall have no liability for malfunctions or damages arising out of the use of Renesas products beyond such specified ranges.
10. Although Renesas endeavors to improve the quality and reliability of its products, IC products have specific characteristics such as the occurrence of failure at a certain rate and malfunctions under certain use conditions. Please be sure to implement safety measures to guard against the possibility of physical injury, and injury or damage caused by fire in the event of the failure of a Renesas product, such as safety design for hardware and software including but not limited to redundancy, fire control and malfunction prevention, appropriate treatment for aging degradation or any other applicable measures. Among others, since the evaluation of microcomputer software alone is very difficult, please evaluate the safety of the final products or system manufactured by you.
11. In case Renesas products listed in this document are detached from the products to which the Renesas products are attached or affixed, the risk of accident such as swallowing by infants and small children is very high. You should implement safety measures so that Renesas products may not be easily detached from your products. Renesas shall have no liability for damages arising out of such detachment.
12. This document may not be reproduced or duplicated, in any form, in whole or in part, without prior written approval from Renesas.
13. Please contact a Renesas sales office if you have any questions regarding the information contained in this document, Renesas semiconductor products, or if you have any other inquiries.



RENEASAS SALES OFFICES

<http://www.renesas.com>

Refer to "<http://www.renesas.com/en/network>" for the latest and detailed information.

Renesas Technology America, Inc.
450 Holger Way, San Jose, CA 95134-1368, U.S.A
Tel: <1> (408) 382-7500, Fax: <1> (408) 382-7501

Renesas Technology Europe Limited
Dukes Meadow, Millboard Road, Bourne End, Buckinghamshire, SL8 5FH, U.K.
Tel: <44> (1628) 585-100, Fax: <44> (1628) 585-900

Renesas Technology (Shanghai) Co., Ltd.
Unit 204, 205, AZIACenter, No.1233 Lujiazui Ring Rd, Pudong District, Shanghai, China 200120
Tel: <86> (21) 5877-1818, Fax: <86> (21) 6887-7858/7898

Renesas Technology Hong Kong Ltd.
7th Floor, North Tower, World Finance Centre, Harbour City, Canton Road, Tsimshatsui, Kowloon, Hong Kong
Tel: <852> 2265-6688, Fax: <852> 2377-3473

Renesas Technology Taiwan Co., Ltd.
10th Floor, No.99, Fushing North Road, Taipei, Taiwan
Tel: <886> (2) 2715-2888, Fax: <886> (2) 3518-3399

Renesas Technology Singapore Pte. Ltd.
1 Harbour Front Avenue, #06-10, Keppel Bay Tower, Singapore 098632
Tel: <65> 6213-0200, Fax: <65> 6278-8001

Renesas Technology Korea Co., Ltd.
Kukje Center Bldg. 18th Fl., 191, 2-ka, Hangang-ro, Yongsan-ku, Seoul 140-702, Korea
Tel: <82> (2) 796-3115, Fax: <82> (2) 796-2145

Renesas Technology Malaysia Sdn. Bhd
Unit 906, Block B, Menara Amcorp, Amcorp Trade Centre, No.18, Jln Persiaran Barat, 46050 Petaling Jaya, Selangor Darul Ehsan, Malaysia
Tel: <603> 7955-9390, Fax: <603> 7955-9510