

To our customers,

Old Company Name in Catalogs and Other Documents

On April 1st, 2010, NEC Electronics Corporation merged with Renesas Technology Corporation, and Renesas Electronics Corporation took over all the business of both companies. Therefore, although the old company name remains in this document, it is a valid Renesas Electronics document. We appreciate your understanding.

Renesas Electronics website: <http://www.renesas.com>

April 1st, 2010
Renesas Electronics Corporation

Issued by: Renesas Electronics Corporation (<http://www.renesas.com>)

Send any inquiries to <http://www.renesas.com/inquiry>.

Notice

1. All information included in this document is current as of the date this document is issued. Such information, however, is subject to change without any prior notice. Before purchasing or using any Renesas Electronics products listed herein, please confirm the latest product information with a Renesas Electronics sales office. Also, please pay regular and careful attention to additional and different information to be disclosed by Renesas Electronics such as that disclosed through our website.
2. Renesas Electronics does not assume any liability for infringement of patents, copyrights, or other intellectual property rights of third parties by or arising from the use of Renesas Electronics products or technical information described in this document. No license, express, implied or otherwise, is granted hereby under any patents, copyrights or other intellectual property rights of Renesas Electronics or others.
3. You should not alter, modify, copy, or otherwise misappropriate any Renesas Electronics product, whether in whole or in part.
4. Descriptions of circuits, software and other related information in this document are provided only to illustrate the operation of semiconductor products and application examples. You are fully responsible for the incorporation of these circuits, software, and information in the design of your equipment. Renesas Electronics assumes no responsibility for any losses incurred by you or third parties arising from the use of these circuits, software, or information.
5. When exporting the products or technology described in this document, you should comply with the applicable export control laws and regulations and follow the procedures required by such laws and regulations. You should not use Renesas Electronics products or the technology described in this document for any purpose relating to military applications or use by the military, including but not limited to the development of weapons of mass destruction. Renesas Electronics products and technology may not be used for or incorporated into any products or systems whose manufacture, use, or sale is prohibited under any applicable domestic or foreign laws or regulations.
6. Renesas Electronics has used reasonable care in preparing the information included in this document, but Renesas Electronics does not warrant that such information is error free. Renesas Electronics assumes no liability whatsoever for any damages incurred by you resulting from errors in or omissions from the information included herein.
7. Renesas Electronics products are classified according to the following three quality grades: “Standard”, “High Quality”, and “Specific”. The recommended applications for each Renesas Electronics product depends on the product’s quality grade, as indicated below. You must check the quality grade of each Renesas Electronics product before using it in a particular application. You may not use any Renesas Electronics product for any application categorized as “Specific” without the prior written consent of Renesas Electronics. Further, you may not use any Renesas Electronics product for any application for which it is not intended without the prior written consent of Renesas Electronics. Renesas Electronics shall not be in any way liable for any damages or losses incurred by you or third parties arising from the use of any Renesas Electronics product for an application categorized as “Specific” or for which the product is not intended where you have failed to obtain the prior written consent of Renesas Electronics. The quality grade of each Renesas Electronics product is “Standard” unless otherwise expressly specified in a Renesas Electronics data sheets or data books, etc.
 - “Standard”: Computers; office equipment; communications equipment; test and measurement equipment; audio and visual equipment; home electronic appliances; machine tools; personal electronic equipment; and industrial robots.
 - “High Quality”: Transportation equipment (automobiles, trains, ships, etc.); traffic control systems; anti-disaster systems; anti-crime systems; safety equipment; and medical equipment not specifically designed for life support.
 - “Specific”: Aircraft; aerospace equipment; submersible repeaters; nuclear reactor control systems; medical equipment or systems for life support (e.g. artificial life support devices or systems), surgical implantations, or healthcare intervention (e.g. excision, etc.), and any other applications or purposes that pose a direct threat to human life.
8. You should use the Renesas Electronics products described in this document within the range specified by Renesas Electronics, especially with respect to the maximum rating, operating supply voltage range, movement power voltage range, heat radiation characteristics, installation and other product characteristics. Renesas Electronics shall have no liability for malfunctions or damages arising out of the use of Renesas Electronics products beyond such specified ranges.
9. Although Renesas Electronics endeavors to improve the quality and reliability of its products, semiconductor products have specific characteristics such as the occurrence of failure at a certain rate and malfunctions under certain use conditions. Further, Renesas Electronics products are not subject to radiation resistance design. Please be sure to implement safety measures to guard them against the possibility of physical injury, and injury or damage caused by fire in the event of the failure of a Renesas Electronics product, such as safety design for hardware and software including but not limited to redundancy, fire control and malfunction prevention, appropriate treatment for aging degradation or any other appropriate measures. Because the evaluation of microcomputer software alone is very difficult, please evaluate the safety of the final products or system manufactured by you.
10. Please contact a Renesas Electronics sales office for details as to environmental matters such as the environmental compatibility of each Renesas Electronics product. Please use Renesas Electronics products in compliance with all applicable laws and regulations that regulate the inclusion or use of controlled substances, including without limitation, the EU RoHS Directive. Renesas Electronics assumes no liability for damages or losses occurring as a result of your noncompliance with applicable laws and regulations.
11. This document may not be reproduced or duplicated, in any form, in whole or in part, without prior written consent of Renesas Electronics.
12. Please contact a Renesas Electronics sales office if you have any questions regarding the information contained in this document or Renesas Electronics products, or if you have any other inquiries.

(Note 1) “Renesas Electronics” as used in this document means Renesas Electronics Corporation and also includes its majority-owned subsidiaries.

(Note 2) “Renesas Electronics product(s)” means any product developed or manufactured by or for Renesas Electronics.

N-CHANNEL GaAs MESFET

NEZ1011-5E, NEZ1414-5E

5W X, Ku-BAND POWER GaAs MESFET

DESCRIPTION

The NEZ1011-5E and NEZ1414-5E are power GaAs MESFETs which provide high gain, high efficiency and high output in X, Ku-band. The internal input and output matching enables guaranteed performance to be achieved with only a 50 Ω external circuit. To reduce thermal resistance the device has a PHS (Plated Heat Sink) structure. The device incorporates a WSi (tungsten silicide) gate structure for high reliability.

FEATURES

- High Output Power : $P_{o(1\text{ dB})} = +37.0$ dBm typ.
- High Linear Gain : 8.0 dB typ. (NEZ1011-5E), 7.0 dB typ. (NEZ1414-5E)
- High Efficiency : 30 % typ.
- Input and Output Internally Matched for Optimum performance

ORDERING INFORMATION

Part Number	Package
NEZ1011-5E NEZ1414-5E	T-78

Remark To order evaluation samples, please contact your local NEC sales office.
(Part number for sample order: NEZ1011-5E, NEZ1414-5E)

ABSOLUTE MAXIMUM RATINGS ($T_A = 25^\circ\text{C}$)

Operation in excess of any one of these parameters may result in permanent damage.

Parameter	Symbol	Ratings	Unit
Drain to Source Voltage	V_{DS}	15	V
Gate to Source Voltage	V_{GS}	-7	V
Drain Current	I_{DS}	4.5 (NEZ1011-5E) 5.0 (NEZ1414-5E)	A
Gate Forward Current	I_{GF}	+40	mA
Gate Reverse Current	I_{GR}	-40	mA
Total Power Dissipation	P_T	30	W
Channel Temperature	T_{ch}	175	$^\circ\text{C}$
Storage Temperature	T_{stg}	-65 to +175	$^\circ\text{C}$

Caution Please handle this device at static-free workstation, because this is an electrostatic sensitive device.

The information in this document is subject to change without notice.

RECOMMENDED OPERATING LIMITS

Characteristics	Symbol	Test Condition	MIN.	TYP.	MAX.	Unit
Drain to Source Voltage	V_{DS}		10	10	10	V
Gain Compression	G_{comp}				3	dB
Channel Temperature	T_{ch}				+130	°C
Gate Resistance ^{Note}	R_g		25	50	50	Ω

Note R_g is the series resistance between the gate supply and the FET gate.

[NEZ1011-5E]

ELECTRICAL CHARACTERISTICS ($T_A = 25^\circ\text{C}$)

Characteristics	Symbol	Test Conditions	MIN.	TYP.	MAX.	Unit
Saturated Drain Current	I_{DSS}	$V_{DS} = 1.5\text{ V}, V_{GS} = 0\text{ V}$	1.5	3.0	5.0	A
Pinch-off Voltage	V_p	$V_{DS} = 2.5\text{ V}, I_{DS} = 20\text{ mA}$	-3.0	-1.3	-0.5	V
Gate to Drain Breakdown Voltage	BV_{GD}	$I_{GD} = 20\text{ mA}$	15	18		V
Thermal Resistance	R_{th}	Channel to Case		4.5	5.0	°C/W
Linear Gain	G_L	$f = 10.7, 11.2, 11.7\text{ GHz}$	7.5	8.0		dB
Output Power at 1 dB Gain Comp.	$P_o (1\text{ dB})$	$V_{DS} = 10\text{ V}$ $I_{DS} = 1.5\text{ A (RF OFF)}$	36.0	37.0		dBm
Drain Current at 1 dB Gain Comp.	$I_{DS} (1\text{ dB})$	$R_g = 50\ \Omega$		2.0	2.3	A
Power Added Efficiency at 1 dB Gain Compression Point	$\eta_{add} (1\text{ dB})$			30		%

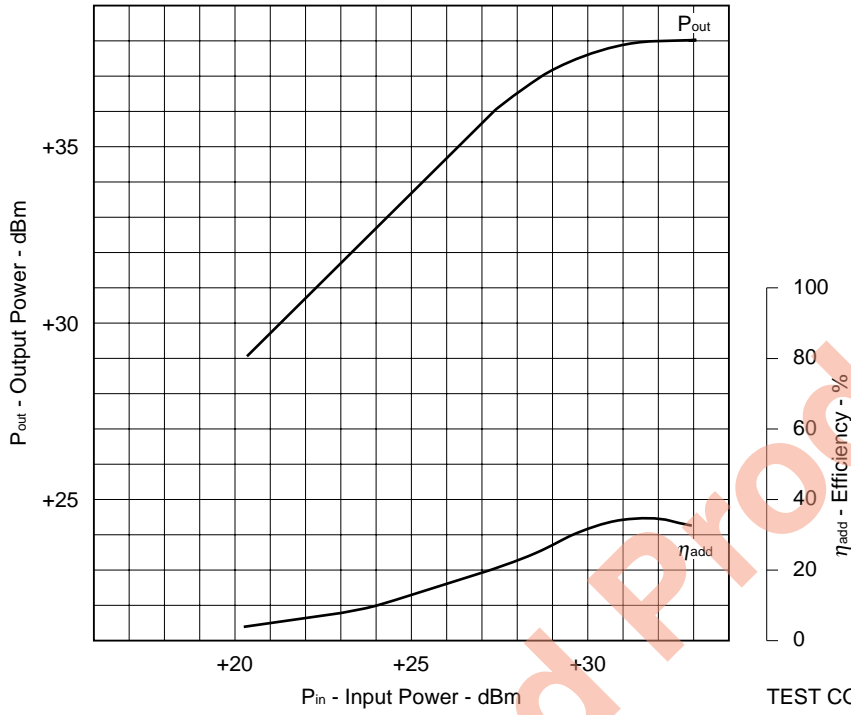
[NEZ1414-5E]

ELECTRICAL CHARACTERISTICS ($T_A = 25^\circ\text{C}$)

Characteristics	Symbol	Test Conditions	MIN.	TYP.	MAX.	Unit
Saturated Drain Current	I_{DSS}	$V_{DS} = 1.5\text{ V}, V_{GS} = 0\text{ V}$	1.0	3.2	5.0	A
Pinch-off Voltage	V_p	$V_{DS} = 2.5\text{ V}, I_{DS} = 20\text{ mA}$	-3.0	-1.3	-0.5	V
Gate to Drain Breakdown Voltage	BV_{GD}	$I_{GD} = 20\text{ mA}$	15	18		V
Thermal Resistance	R_{th}	Channel to Case		4.5	5.0	°C/W
Linear Gain	G_L	$f = 14.0\text{ to }14.5\text{ GHz}$	6.5	7.0		dB
Output Power at 1 dB Gain Comp.	$P_o (1\text{ dB})$	$V_{DS} = 10\text{ V}$ $I_{DS} = 1.5\text{ A (RF OFF)}$	36.0	37.0		dBm
Drain Current at 1 dB Gain Comp.	$I_{DS} (1\text{ dB})$	$R_g = 50\ \Omega$		2.0	2.3	A
Power Added Efficiency at 1 dB Gain Compression Point	$\eta_{add} (1\text{ dB})$			30		%

[NEZ1011-5E] TYPICAL CHARACTERISTICS (T_A = 25°C)

OUTPUT POWER, DRAIN CURRENT AND EFFICIENCY vs. INPUT POWER



TEST CONDITIONS

V_{ds} : 10 (V)

I_{ds} : 1.5 (A)

Discontinued Product

[NEZ1011-5E] TYPICAL S-PARAMETERS

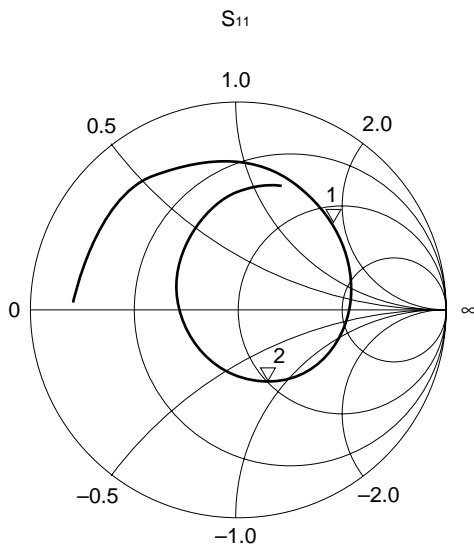
$V_{ds} = 10\text{ V}$, $I_{ds} = 1.5\text{ A}$

START 9.5 GHz, STOP 13 GHz, STEP 100 MHz

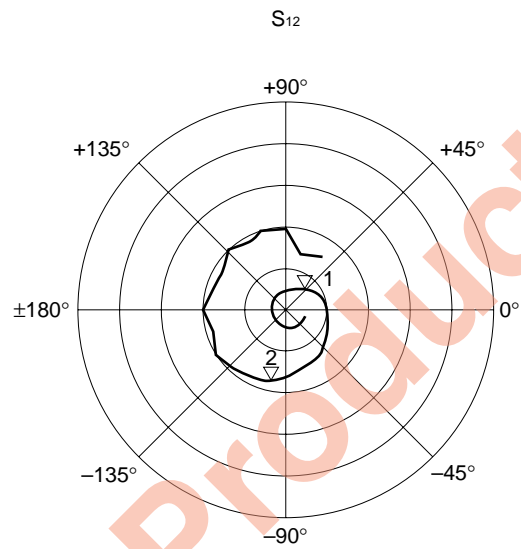
Marker

1: 10.7 GHz

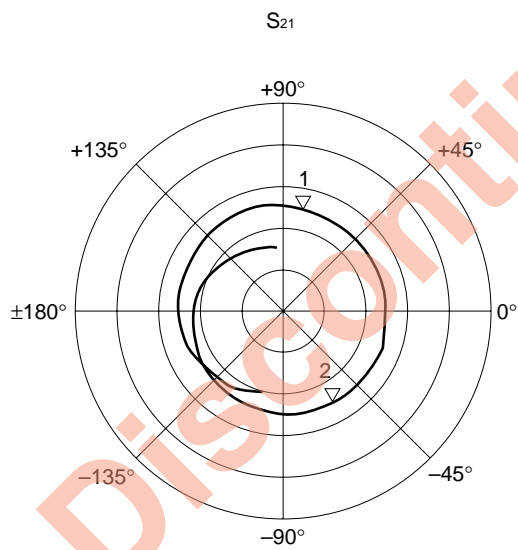
2: 11.7 GHz



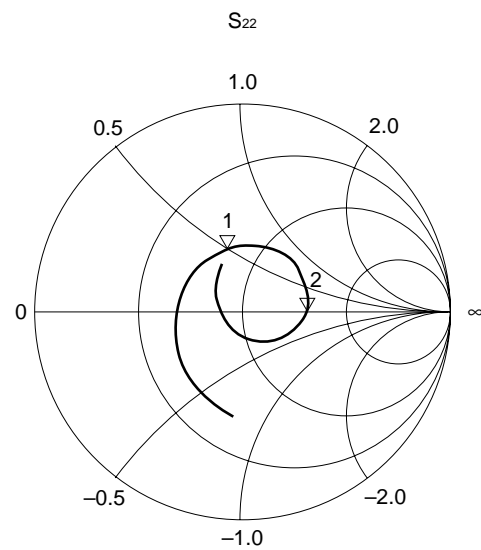
$R_{max} = 1$



$R_{max} = 0.25$



$R_{max} = 5$



$R_{max} = 1$

[NEZ1011-5E] TYPICAL S-PARAMETERS

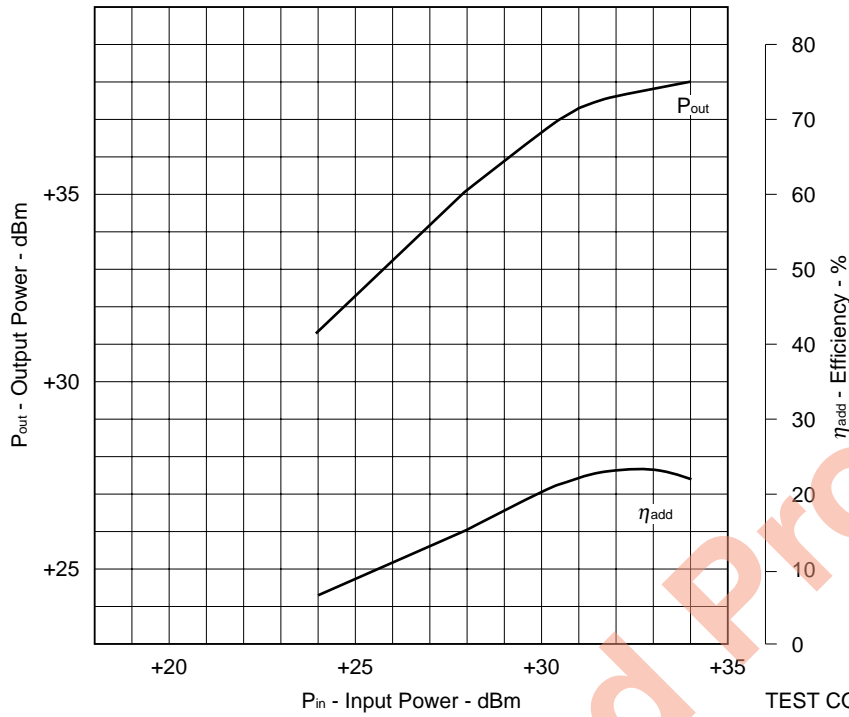
MAG. AND ANG.

$V_{ds} = 10\text{ V}$, $I_{ds} = 1.5\text{ A}$

FREQUENCY GHZ	S ₁₁		S ₁₂		S ₂₁		S ₂₂	
	MAG.	ANG. (deg.)	MAG.	ANG. (deg.)	MAG.	ANG. (deg.)	MAG.	ANG. (deg.)
9.50	0.795	177.097	0.025	-12.624	2.102	-104.596	0.497	-97.121
9.60	0.791	166.158	0.025	-30.059	2.238	-121.060	0.474	-106.699
9.70	0.783	155.492	0.021	-49.370	2.311	-134.131	0.450	-116.031
9.80	0.774	144.184	0.017	-73.646	2.405	-146.297	0.425	-126.474
9.90	0.765	133.012	0.016	-97.929	2.534	-163.554	0.400	-138.312
10.0	0.751	121.078	0.012	-135.797	2.539	-179.266	0.375	-150.582
10.1	0.734	109.490	0.012	-174.066	2.502	165.681	0.352	-164.453
10.2	0.715	97.542	0.015	147.007	2.564	150.428	0.333	-179.454
10.3	0.695	86.492	0.018	115.190	2.529	135.648	0.320	164.767
10.4	0.676	75.113	0.023	95.322	2.516	121.356	0.306	149.021
10.5	0.653	64.124	0.027	74.089	2.529	106.739	0.302	133.607
10.6	0.636	53.940	0.033	56.001	2.507	92.067	0.304	118.951
10.7	0.612	43.369	0.038	39.778	2.484	78.134	0.307	104.803
10.8	0.594	33.428	0.042	23.174	2.478	64.151	0.312	91.645
10.9	0.575	22.866	0.047	7.059	2.450	49.875	0.320	79.861
11.0	0.552	13.083	0.050	-7.479	2.447	36.338	0.325	69.008
11.1	0.535	2.903	0.055	-19.924	2.482	22.306	0.327	58.242
11.2	0.508	-7.593	0.059	-34.841	2.473	7.750	0.330	48.324
11.3	0.491	-17.574	0.062	-47.246	2.454	-5.943	0.328	38.476
11.4	0.461	-28.983	0.067	-59.558	2.516	-20.088	0.323	29.580
11.5	0.436	-39.932	0.073	-74.611	2.506	-35.678	0.318	20.003
11.6	0.404	-53.797	0.075	-87.343	2.487	-50.074	0.304	10.526
11.7	0.366	-67.625	0.086	-103.128	2.488	-63.579	0.291	1.340
11.8	0.332	-84.471	0.086	-117.892	2.524	-80.559	0.273	-8.817
11.9	0.298	-104.679	0.091	-133.955	2.495	-96.940	0.250	-19.520
12.0	0.277	-127.328	0.097	-149.424	2.484	-112.774	0.225	-31.204
12.1	0.277	-155.200	0.089	-164.876	2.444	-128.256	0.194	-45.526
12.2	0.294	179.432	0.096	178.362	2.318	-147.074	0.162	-62.370
12.3	0.332	156.155	0.091	165.150	2.256	-161.800	0.131	-83.016
12.4	0.386	136.598	0.087	150.149	2.158	-176.089	0.108	-110.989
12.5	0.432	121.126	0.097	131.057	2.043	166.479	0.103	-144.299
12.6	0.481	107.861	0.088	119.739	1.910	150.431	0.116	-175.501
12.7	0.527	96.419	0.093	103.730	1.812	135.781	0.143	160.657
12.8	0.572	87.008	0.097	86.355	1.687	121.963	0.177	142.955
12.9	0.608	77.455	0.073	73.273	1.539	107.849	0.213	129.094
13.0	0.640	69.455	0.077	53.973	1.531	94.247	0.250	117.013

[NEZ1414-5E] TYPICAL CHARACTERISTICS (T_A = 25°C)

OUTPUT POWER, DRAIN CURRENT AND EFFICIENCY vs. INPUT POWER



TEST CONDITIONS

V_{ds} : 10 (V)

I_{ds} : 1.5 (A)

Discontinued Product

[NEZ1414-5E] TYPICAL S-PARAMETERS

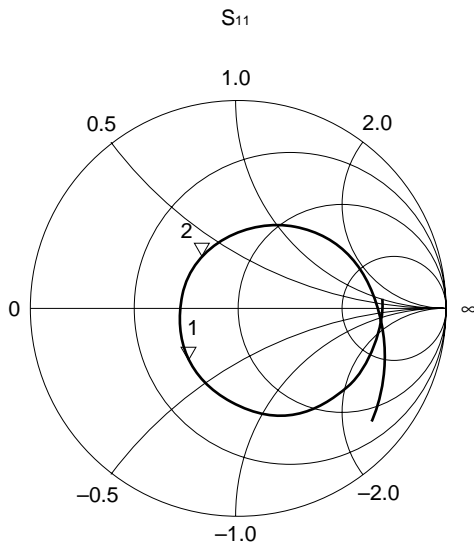
$V_{ds} = 10\text{ V}$, $I_{ds} = 1.5\text{ A}$

START 12.5 GHz, STOP 16 GHz, STEP 100 MHz

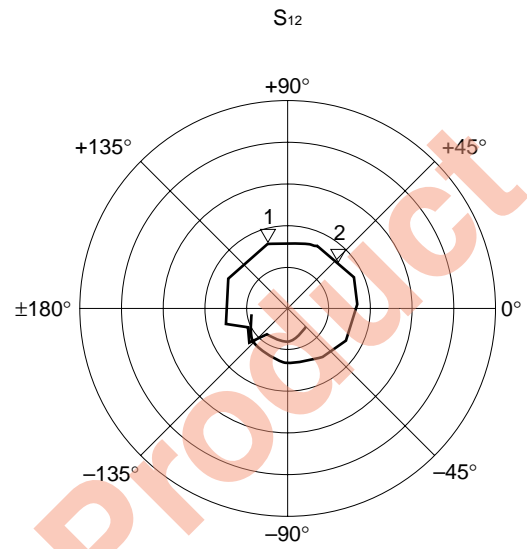
Marker

1: 14.0 GHz

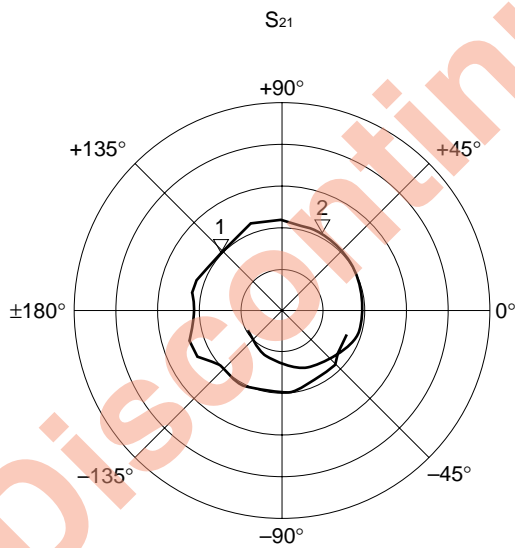
2: 14.5 GHz



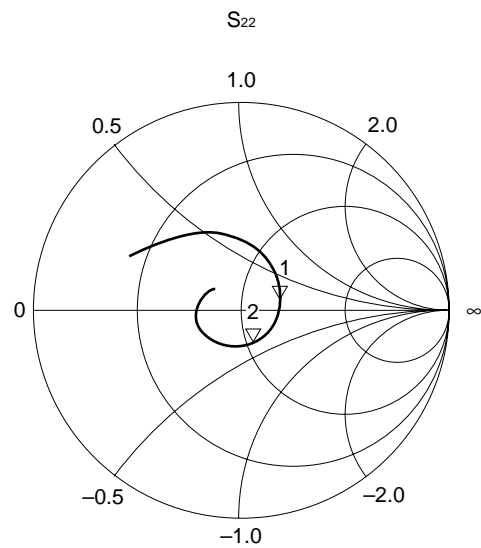
$R_{max} = 1$



$R_{max} = 0.25$



$R_{max} = 5$



$R_{max} = 1$

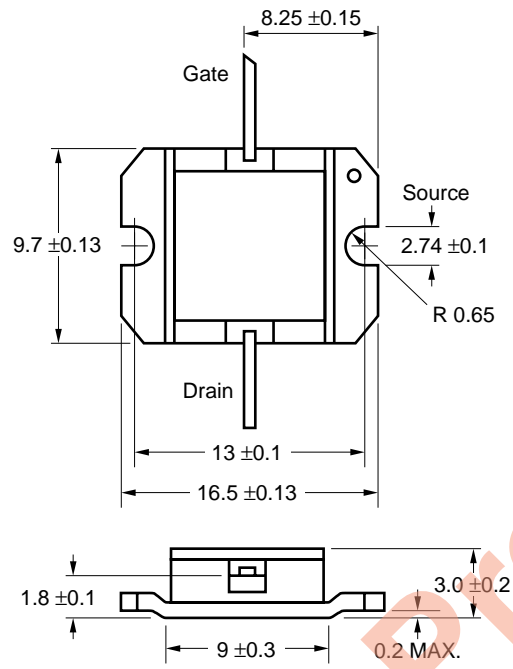
[NEZ1414-5E] TYPICAL S-PARAMETERS

MAG. AND ANG.

$V_{ds} = 10\text{ V}$, $I_{ds} = 1.5\text{ A}$

FREQUENCY GHz	S ₁₁		S ₁₂		S ₂₁		S ₂₂	
	MAG.	ANG. (deg.)	MAG.	ANG. (deg.)	MAG.	ANG. (deg.)	MAG.	ANG. (deg.)
12.5	0.699	3.559	0.031	-41.913	1.697	-20.548	0.566	152.460
12.6	0.695	-3.802	0.034	-52.127	1.654	-36.716	0.540	146.569
12.7	0.690	-11.184	0.037	-67.308	1.764	-42.190	0.514	140.115
12.8	0.681	-18.618	0.039	-88.046	1.795	-50.520	0.488	134.089
12.9	0.672	-26.662	0.037	-84.384	1.800	-68.967	0.461	126.832
13.0	0.655	-34.582	0.041	-102.427	1.927	-79.629	0.434	119.491
13.1	0.639	-42.797	0.041	-112.704	1.970	-94.358	0.407	111.931
13.2	0.611	-51.193	0.041	-126.775	2.096	-113.946	0.379	103.332
13.3	0.588	-59.626	0.061	-139.703	2.067	-125.912	0.353	94.382
13.4	0.557	-69.196	0.055	-158.117	2.049	-138.219	0.327	84.364
13.5	0.522	-77.096	0.078	-166.125	2.307	-152.954	0.304	74.656
13.6	0.484	-86.960	0.073	179.398	2.370	-162.851	0.279	63.510
13.7	0.452	-97.571	0.078	153.313	2.129	-179.398	0.260	50.342
13.8	0.414	-109.286	0.076	147.461	2.228	166.598	0.239	37.056
13.9	0.374	-121.896	0.077	118.899	2.190	153.662	0.221	22.479
14.0	0.340	-137.204	0.077	107.834	2.090	136.741	0.207	7.390
14.1	0.309	-153.071	0.077	96.178	2.123	123.419	0.196	-7.712
14.2	0.292	-172.490	0.079	78.839	2.219	107.969	0.189	-23.544
14.3	0.278	166.873	0.082	70.581	2.221	91.922	0.184	-39.366
14.4	0.286	145.748	0.086	56.694	2.121	76.787	0.182	-54.746
14.5	0.306	124.347	0.083	39.400	2.125	61.811	0.182	-69.708
14.6	0.338	105.283	0.089	26.464	2.109	47.575	0.185	-84.246
14.7	0.380	87.665	0.085	7.358	2.035	32.601	0.188	-97.425
14.8	0.422	71.876	0.081	-11.616	1.993	17.984	0.192	-109.879
14.9	0.472	57.486	0.082	-24.978	1.933	1.611	0.196	-121.259
15.0	0.516	44.460	0.075	-44.832	1.821	-14.908	0.199	-131.271
15.1	0.564	32.150	0.071	-53.732	1.697	-30.531	0.204	-141.090
15.2	0.604	20.796	0.068	-68.262	1.609	-45.413	0.205	-149.703
15.3	0.643	10.574	0.064	-80.913	1.494	-61.564	0.206	-157.952
15.4	0.679	0.953	0.061	-91.417	1.385	-76.676	0.204	-165.427
15.5	0.711	-7.486	0.061	-107.934	1.277	-89.461	0.199	-172.212
15.6	0.745	-15.456	0.056	-119.624	1.184	-102.706	0.194	-179.138
15.7	0.772	-22.622	0.054	-134.763	1.103	-116.634	0.185	-174.393
15.8	0.801	-29.497	0.051	-146.936	1.013	-129.176	0.174	-166.875
15.9	0.825	-35.121	0.047	-160.342	0.931	-142.415	0.159	-158.567
16.0	0.849	-40.556	0.044	-173.424	0.867	-154.460	0.146	-149.601

PACKAGE DIMENSIONS (UNIT: mm)



Discontinued Product

RECOMMENDED SOLDERING CONDITIONS

This product should be soldered under the following recommended conditions. For soldering methods and conditions other than those recommended below, contact your NEC sales representative.

Soldering Method	Soldering Conditions	Recommended Condition Symbol
Partial Heating	Pin temperature: 260°C Time: 5 seconds or less (per pin row)	-

For details of recommended soldering conditions, please contact your local NEC sales office.

Discontinued Product

[MEMO]

Discontinued Product

Caution

The Great Care must be taken in dealing with the devices in this guide.

The reason is that the material of the devices is GaAs (Gallium Arsenide), which is designated as harmful substance according to the law concerned.

Keep the law concerned and so on, especially in case of removal.

No part of this document may be copied or reproduced in any form or by any means without the prior written consent of NEC Corporation. NEC Corporation assumes no responsibility for any errors which may appear in this document.

NEC Corporation does not assume any liability for infringement of patents, copyrights or other intellectual property rights of third parties by or arising from use of a device described herein or any other liability arising from use of such device. No license, either express, implied or otherwise, is granted under any patents, copyrights or other intellectual property rights of NEC Corporation or others.

While NEC Corporation has been making continuous effort to enhance the reliability of its semiconductor devices, the possibility of defects cannot be eliminated entirely. To minimize risks of damage or injury to persons or property arising from a defect in an NEC semiconductor device, customers must incorporate sufficient safety measures in its design, such as redundancy, fire-containment, and anti-failure features.

NEC devices are classified into the following three quality grades:

"Standard", "Special", and "Specific". The Specific quality grade applies only to devices developed based on a customer designated "quality assurance program" for a specific application. The recommended applications of a device depend on its quality grade, as indicated below. Customers must check the quality grade of each device before using it in a particular application.

Standard: Computers, office equipment, communications equipment, test and measurement equipment, audio and visual equipment, home electronic appliances, machine tools, personal electronic equipment and industrial robots

Special: Transportation equipment (automobiles, trains, ships, etc.), traffic control systems, anti-disaster systems, anti-crime systems, safety equipment and medical equipment (not specifically designed for life support)

Specific: Aircrafts, aerospace equipment, submersible repeaters, nuclear reactor control systems, life support systems or medical equipment for life support, etc.

The quality grade of NEC devices is "Standard" unless otherwise specified in NEC's Data Sheets or Data Books. If customers intend to use NEC devices for applications other than those specified for Standard quality grade, they should contact an NEC sales representative in advance.

Anti-radioactive design is not implemented in this product.