

To our customers,

Old Company Name in Catalogs and Other Documents

On April 1st, 2010, NEC Electronics Corporation merged with Renesas Technology Corporation, and Renesas Electronics Corporation took over all the business of both companies. Therefore, although the old company name remains in this document, it is a valid Renesas Electronics document. We appreciate your understanding.

Renesas Electronics website: <http://www.renesas.com>

April 1st, 2010
Renesas Electronics Corporation

Issued by: Renesas Electronics Corporation (<http://www.renesas.com>)

Send any inquiries to <http://www.renesas.com/inquiry>.

Notice

1. All information included in this document is current as of the date this document is issued. Such information, however, is subject to change without any prior notice. Before purchasing or using any Renesas Electronics products listed herein, please confirm the latest product information with a Renesas Electronics sales office. Also, please pay regular and careful attention to additional and different information to be disclosed by Renesas Electronics such as that disclosed through our website.
2. Renesas Electronics does not assume any liability for infringement of patents, copyrights, or other intellectual property rights of third parties by or arising from the use of Renesas Electronics products or technical information described in this document. No license, express, implied or otherwise, is granted hereby under any patents, copyrights or other intellectual property rights of Renesas Electronics or others.
3. You should not alter, modify, copy, or otherwise misappropriate any Renesas Electronics product, whether in whole or in part.
4. Descriptions of circuits, software and other related information in this document are provided only to illustrate the operation of semiconductor products and application examples. You are fully responsible for the incorporation of these circuits, software, and information in the design of your equipment. Renesas Electronics assumes no responsibility for any losses incurred by you or third parties arising from the use of these circuits, software, or information.
5. When exporting the products or technology described in this document, you should comply with the applicable export control laws and regulations and follow the procedures required by such laws and regulations. You should not use Renesas Electronics products or the technology described in this document for any purpose relating to military applications or use by the military, including but not limited to the development of weapons of mass destruction. Renesas Electronics products and technology may not be used for or incorporated into any products or systems whose manufacture, use, or sale is prohibited under any applicable domestic or foreign laws or regulations.
6. Renesas Electronics has used reasonable care in preparing the information included in this document, but Renesas Electronics does not warrant that such information is error free. Renesas Electronics assumes no liability whatsoever for any damages incurred by you resulting from errors in or omissions from the information included herein.
7. Renesas Electronics products are classified according to the following three quality grades: “Standard”, “High Quality”, and “Specific”. The recommended applications for each Renesas Electronics product depends on the product’s quality grade, as indicated below. You must check the quality grade of each Renesas Electronics product before using it in a particular application. You may not use any Renesas Electronics product for any application categorized as “Specific” without the prior written consent of Renesas Electronics. Further, you may not use any Renesas Electronics product for any application for which it is not intended without the prior written consent of Renesas Electronics. Renesas Electronics shall not be in any way liable for any damages or losses incurred by you or third parties arising from the use of any Renesas Electronics product for an application categorized as “Specific” or for which the product is not intended where you have failed to obtain the prior written consent of Renesas Electronics. The quality grade of each Renesas Electronics product is “Standard” unless otherwise expressly specified in a Renesas Electronics data sheets or data books, etc.
 - “Standard”: Computers; office equipment; communications equipment; test and measurement equipment; audio and visual equipment; home electronic appliances; machine tools; personal electronic equipment; and industrial robots.
 - “High Quality”: Transportation equipment (automobiles, trains, ships, etc.); traffic control systems; anti-disaster systems; anti-crime systems; safety equipment; and medical equipment not specifically designed for life support.
 - “Specific”: Aircraft; aerospace equipment; submersible repeaters; nuclear reactor control systems; medical equipment or systems for life support (e.g. artificial life support devices or systems), surgical implantations, or healthcare intervention (e.g. excision, etc.), and any other applications or purposes that pose a direct threat to human life.
8. You should use the Renesas Electronics products described in this document within the range specified by Renesas Electronics, especially with respect to the maximum rating, operating supply voltage range, movement power voltage range, heat radiation characteristics, installation and other product characteristics. Renesas Electronics shall have no liability for malfunctions or damages arising out of the use of Renesas Electronics products beyond such specified ranges.
9. Although Renesas Electronics endeavors to improve the quality and reliability of its products, semiconductor products have specific characteristics such as the occurrence of failure at a certain rate and malfunctions under certain use conditions. Further, Renesas Electronics products are not subject to radiation resistance design. Please be sure to implement safety measures to guard them against the possibility of physical injury, and injury or damage caused by fire in the event of the failure of a Renesas Electronics product, such as safety design for hardware and software including but not limited to redundancy, fire control and malfunction prevention, appropriate treatment for aging degradation or any other appropriate measures. Because the evaluation of microcomputer software alone is very difficult, please evaluate the safety of the final products or system manufactured by you.
10. Please contact a Renesas Electronics sales office for details as to environmental matters such as the environmental compatibility of each Renesas Electronics product. Please use Renesas Electronics products in compliance with all applicable laws and regulations that regulate the inclusion or use of controlled substances, including without limitation, the EU RoHS Directive. Renesas Electronics assumes no liability for damages or losses occurring as a result of your noncompliance with applicable laws and regulations.
11. This document may not be reproduced or duplicated, in any form, in whole or in part, without prior written consent of Renesas Electronics.
12. Please contact a Renesas Electronics sales office if you have any questions regarding the information contained in this document or Renesas Electronics products, or if you have any other inquiries.

(Note 1) “Renesas Electronics” as used in this document means Renesas Electronics Corporation and also includes its majority-owned subsidiaries.

(Note 2) “Renesas Electronics product(s)” means any product developed or manufactured by or for Renesas Electronics.

N-CHANNEL GaAs MESFET

NEZ1011-2E, NEZ1414-2E

2W X, Ku-BAND POWER GaAs MESFET

DESCRIPTION

The NEZ1011-2E and NEZ1414-2E are power GaAs MESFETs which provide high gain, high efficiency and high output in X, Ku-band. The internal input and output matching enables guaranteed performance to be achieved with only a 50 Ω external circuit. To reduce thermal resistance the device has a PHS (Plated Heat Sink) structure. The device incorporates a WSi (tungsten silicide) gate structure for high reliability.

FEATURES

- High Output Power : $P_{o(1\text{ dB})} = +34.0\text{ dBm typ.}$
- High Linear Gain : 8.5 dB typ. (NEZ1011-2E), 7.5 dB typ. (NEZ1414-2E)
- High Efficiency : 30 % typ.
- Input and Output Internally Matched for Optimum performance

ORDERING INFORMATION

Part Number	Package
NEZ1011-2E NEZ1414-2E	T-78

Remark To order evaluation samples, please contact your local NEC sales office.
(Part number for sample order: NEZ1011-2E, NEZ1414-2E)

ABSOLUTE MAXIMUM RATINGS ($T_A = 25^\circ\text{C}$)

Operation in excess of any one of these parameters may result in permanent damage.

Parameter	Symbol	Ratings	Unit
Drain to Source Voltage	V_{DS}	15	V
Gate to Source Voltage	V_{GS}	-7	V
Drain Current	I_{DS}	3.0 (NEZ1011-2E) 2.5 (NEZ1414-2E)	A
Gate Forward Current	I_{GF}	+20	mA
Gate Reverse Current	I_{GR}	-20	mA
Total Power Dissipation	P_T	15	W
Channel Temperature	T_{ch}	175	$^\circ\text{C}$
Storage Temperature	T_{stg}	-65 to +175	$^\circ\text{C}$

Caution Please handle this device at static-free workstation, because this is an electrostatic sensitive device.

The information in this document is subject to change without notice.

RECOMMENDED OPERATING LIMITS

Characteristics	Symbol	Test Condition	MIN.	TYP.	MAX.	Unit
Drain to Source Voltage	V_{DS}		9.0	9.0	9.0	V
Gain Compression	Gcomp				3	dB
Channel Temperature	T_{ch}				+130	°C
Gate Resistance ^{Note}	R_g		200	1000	1000	Ω

Note R_g is the series resistance between the gate supply and the FET gate.

[NEZ1011-2E]

ELECTRICAL CHARACTERISTICS ($T_A = 25^\circ\text{C}$)

Characteristics	Symbol	Test Conditions	MIN.	TYP.	MAX.	Unit
Saturated Drain Current	I_{DSS}	$V_{DS} = 1.5\text{ V}, V_{GS} = 0\text{ V}$	0.7	1.6	2.5	A
Pinch-off Voltage	V_p	$V_{DS} = 2.5\text{ V}, I_{DS} = 10\text{ mA}$	-2.5	-1.3	-0.5	V
Gate to Drain Breakdown Voltage	BV_{GD}	$I_{GD} = 10\text{ mA}$		15		V
Thermal Resistance	R_{th}	Channel to Case		5.5	7.0	°C/W
Linear Gain	G_L	$f = 10.7, 11.2, 11.7\text{ GHz}$	8.0	8.5		dB
Output Power at 1 dB Gain Comp.	$P_o (1\text{ dB})$	$V_{DS} = 9.0\text{ V}$ $I_{DS} = 0.7\text{ A (RF OFF)}$	33.0	34.0		dBm
Drain Current at 1 dB Gain Comp.	$I_{DS} (1\text{ dB})$	$R_g = 1\text{ k}\Omega$		0.8	1.0	A
Power Added Efficiency at 1 dB Gain Compression Point	$\eta_{add} (1\text{ dB})$			30		%
3rd Order Intermodulation Distortion	IM_3	$P_{out} = +27.5\text{ dBm (2 tone)}$		-40		dBc

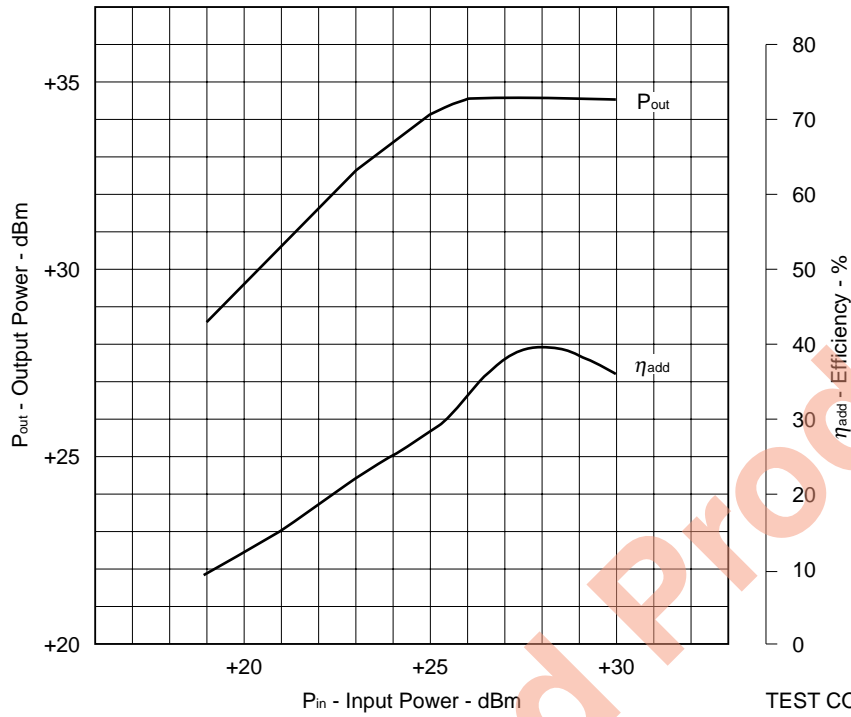
[NEZ1414-2E]

ELECTRICAL CHARACTERISTICS ($T_A = 25^\circ\text{C}$)

Characteristics	Symbol	Test Conditions	MIN.	TYP.	MAX.	Unit
Saturated Drain Current	I_{DSS}	$V_{DS} = 1.5\text{ V}, V_{GS} = 0\text{ V}$	0.7	1.6	3.0	A
Pinch-off Voltage	V_p	$V_{DS} = 2.5\text{ V}, I_{DS} = 10\text{ mA}$	-3.0	-1.3	-0.5	V
Gate to Drain Breakdown Voltage	BV_{GD}	$I_{GD} = 10\text{ mA}$		15		V
Thermal Resistance	R_{th}	Channel to Case		5.5	7.0	°C/W
Linear Gain	G_L	$f = 14.0\text{ to }14.5\text{ GHz}$	7.0	7.5		dB
Output Power at 1 dB Gain Comp.	$P_o (1\text{ dB})$	$V_{DS} = 9.0\text{ V}$ $I_{DS} = 0.7\text{ A (RF OFF)}$	33.0	34.0		dBm
Drain Current at 1 dB Gain Comp.	$I_{DS} (1\text{ dB})$	$R_g = 1\text{ k}\Omega$		0.8	1.0	A
Power Added Efficiency at 1 dB Gain Compression Point	$\eta_{add} (1\text{ dB})$			30		%

[NEZ1011-2E] TYPICAL CHARACTERISTICS (T_A = 25°C)

OUTPUT POWER, DRAIN CURRENT AND EFFICIENCY vs. INPUT POWER



TEST CONDITIONS

V_{ds} : 9.0 (V)

I_{ds} : 0.7 (A)

Discontinued Product

[NEZ1011-2E] TYPICAL S-PARAMETERS

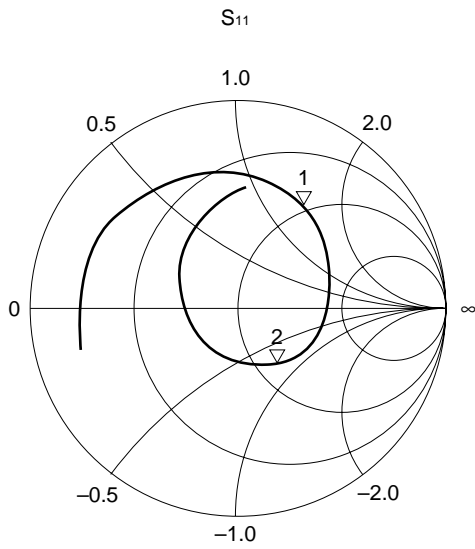
$V_{ds} = 9.0\text{ V}$, $I_{ds} = 0.7\text{ A}$

START 9.5 GHz, STOP 13 GHz, STEP 100 MHz

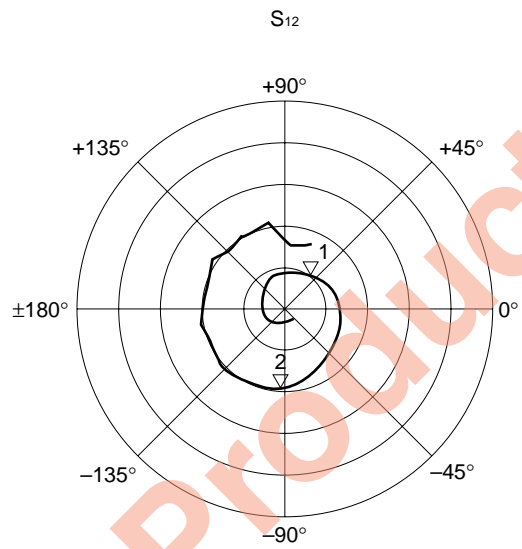
Marker

1: 10.7 GHz

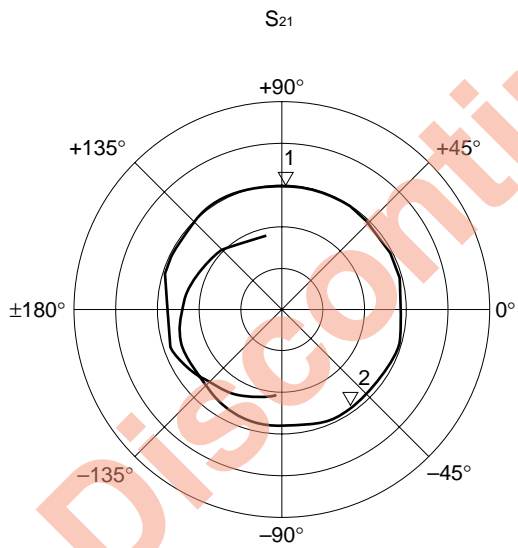
2: 11.7 GHz



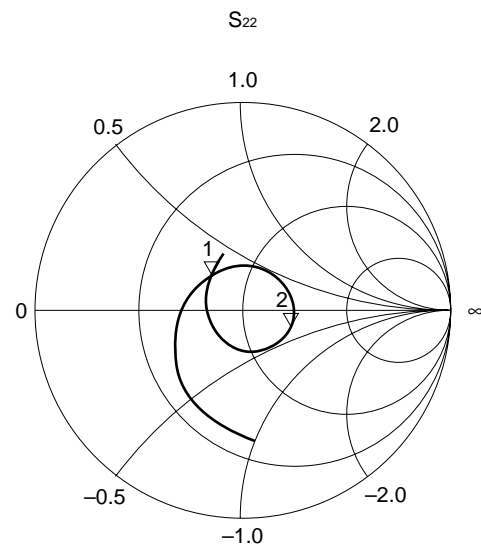
$R_{max} = 1$



$R_{max} = 0.25$



$R_{max} = 5$



$R_{max} = 1$

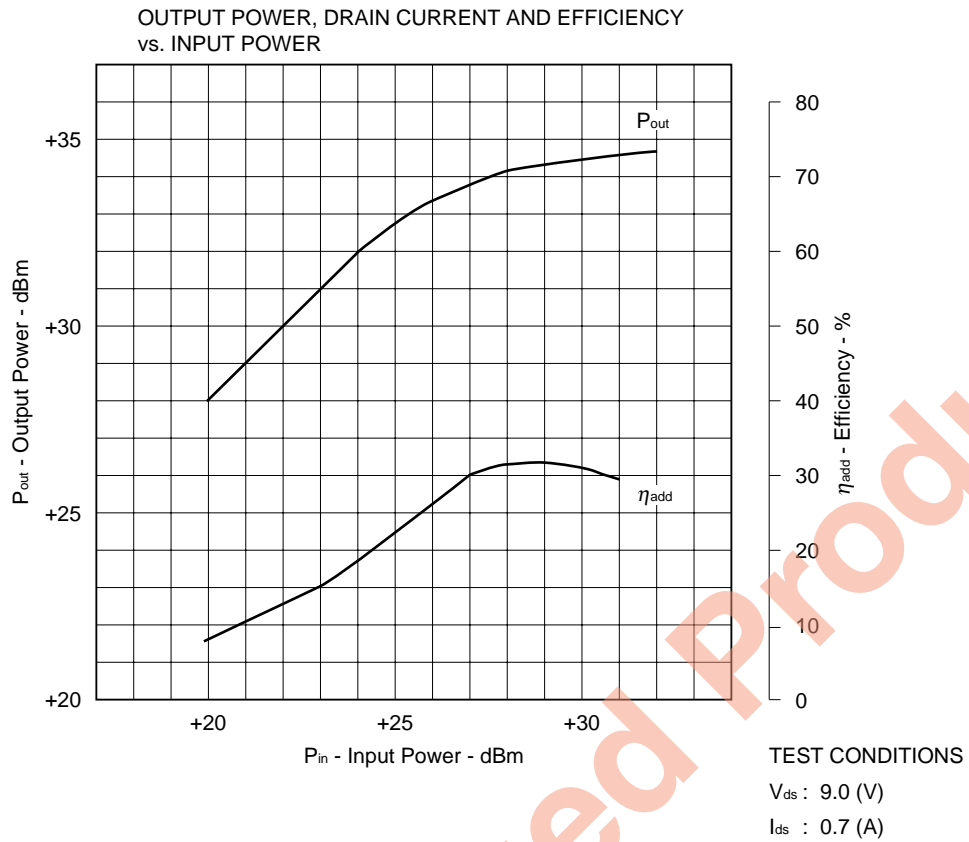
[NEZ1011-2E] TYPICAL S-PARAMETERS

MAG. AND ANG.

$V_{ds} = 9.0\text{ V}$, $I_{ds} = 0.7\text{ A}$

FREQUENCY		S ₁₁		S ₁₂		S ₂₁		S ₂₂	
GHZ	MAG.	ANG. (deg.)	MAG.	ANG. (deg.)	MAG.	ANG. (deg.)	MAG.	ANG. (deg.)	
9.50	0.764	-167.277	0.015	-43.230	2.130	-95.531	0.635	-83.968	
9.60	0.761	-178.028	0.016	-65.634	2.340	-111.739	0.611	-91.286	
9.70	0.758	171.529	0.016	-91.498	2.425	-123.950	0.584	-98.187	
9.80	0.753	160.103	0.017	-118.516	2.517	-134.894	0.553	-106.003	
9.90	0.746	148.570	0.021	-141.838	2.750	-151.673	0.516	-114.652	
10.0	0.736	136.528	0.024	-171.701	2.799	-167.695	0.476	-123.658	
10.1	0.722	124.575	0.028	167.511	2.790	176.393	0.432	-133.644	
10.2	0.706	112.284	0.032	144.823	2.912	161.709	0.388	-145.015	
10.3	0.686	100.666	0.035	121.478	2.927	146.204	0.344	-157.688	
10.4	0.668	89.224	0.040	105.970	2.942	131.119	0.299	-172.088	
10.5	0.645	77.773	0.044	87.091	2.970	116.345	0.260	171.488	
10.6	0.624	67.151	0.050	70.741	2.970	101.187	0.229	152.876	
10.7	0.598	56.412	0.054	54.078	2.945	86.551	0.208	131.672	
10.8	0.578	46.466	0.059	37.806	2.944	72.072	0.200	109.753	
10.9	0.554	36.030	0.062	21.296	2.917	57.262	0.202	89.248	
11.0	0.528	26.451	0.066	6.098	2.906	43.390	0.212	70.797	
11.1	0.507	16.580	0.070	-7.465	2.920	29.090	0.222	54.193	
11.2	0.478	6.600	0.074	-22.940	2.902	14.522	0.237	39.808	
11.3	0.456	-3.277	0.075	-35.751	2.889	0.451	0.248	26.634	
11.4	0.422	-13.834	0.079	-49.149	2.933	-14.070	0.256	14.662	
11.5	0.394	-24.217	0.084	-63.862	2.901	-29.339	0.264	3.065	
11.6	0.358	-36.871	0.086	-77.583	2.874	-43.606	0.265	-8.418	
11.7	0.318	-49.672	0.096	-92.366	2.890	-56.908	0.262	-19.614	
11.8	0.279	-65.213	0.096	-107.789	2.905	-73.786	0.257	-31.209	
11.9	0.240	-84.430	0.100	-123.743	2.857	-89.725	0.246	-43.300	
12.0	0.209	-107.600	0.105	-138.506	2.845	-105.536	0.233	-55.965	
12.1	0.200	-138.676	0.097	-155.009	2.824	-120.676	0.214	-71.338	
12.2	0.212	-167.414	0.103	-170.320	2.638	-138.590	0.193	-87.955	
12.3	0.252	166.906	0.098	175.893	2.617	-153.421	0.174	-107.656	
12.4	0.309	147.122	0.095	160.769	2.572	-167.311	0.160	-130.767	
12.5	0.361	131.557	0.105	143.930	2.409	174.881	0.155	-155.714	
12.6	0.416	118.401	0.097	131.537	2.256	158.493	0.163	178.469	
12.7	0.469	107.640	0.102	116.588	2.162	143.945	0.183	155.527	
12.8	0.519	98.604	0.106	99.572	2.023	130.613	0.211	135.870	
12.9	0.559	89.444	0.082	84.259	1.844	116.717	0.246	119.252	
13.0	0.597	81.722	0.088	66.604	1.863	102.174	0.287	104.110	

[NEZ1414-2E] TYPICAL CHARACTERISTICS (T_A = 25°C)



Discontinued Product

[NEZ1414-2E] TYPICAL S-PARAMETERS

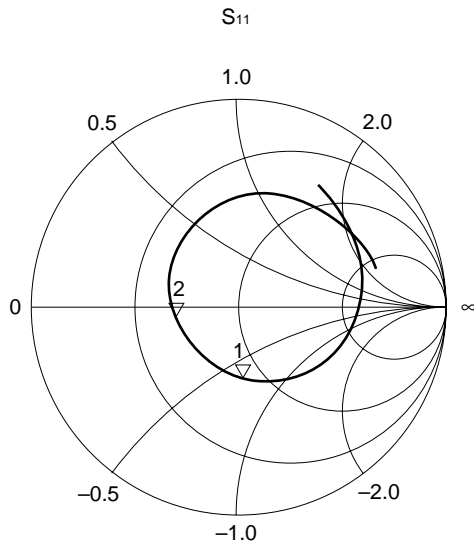
$V_{ds} = 9.0\text{ V}$, $I_{ds} = 0.7\text{ A}$

START 12.5 GHz, STOP 16 GHz, STEP 100 MHz

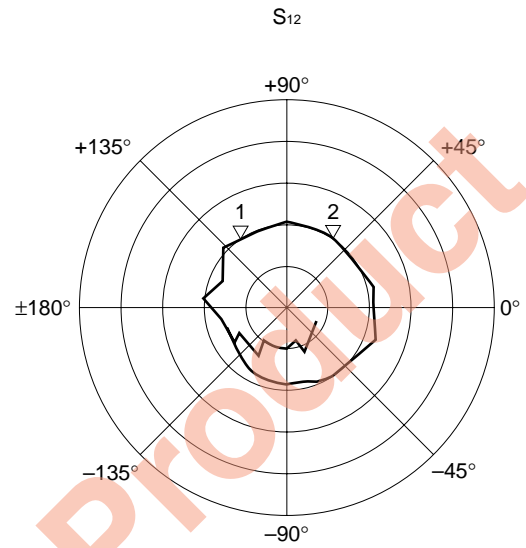
Marker

1: 14.0 GHz

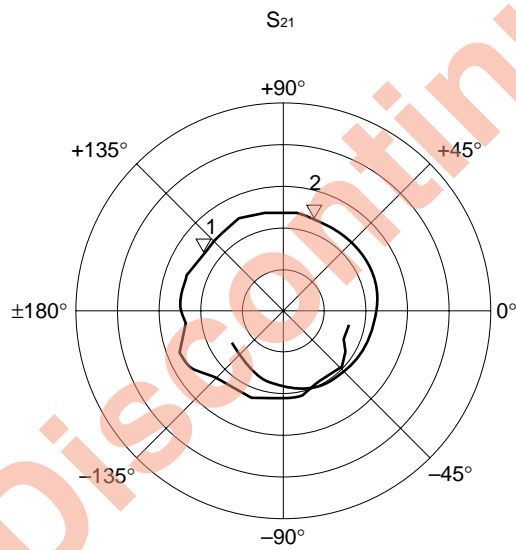
2: 14.5 GHz



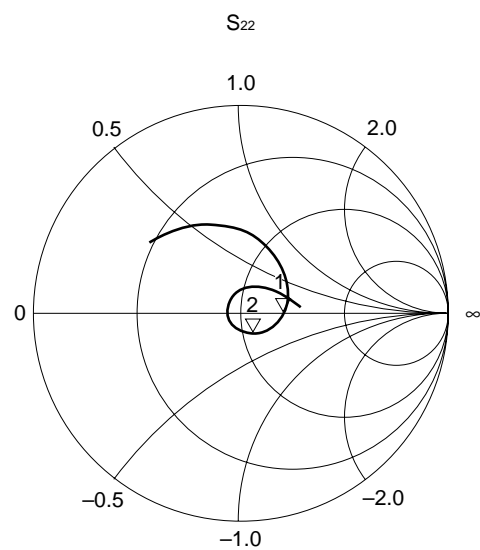
$R_{max} = 1$



$R_{max} = 0.25$



$R_{max} = 5$



$R_{max} = 1$

Discontinued Product

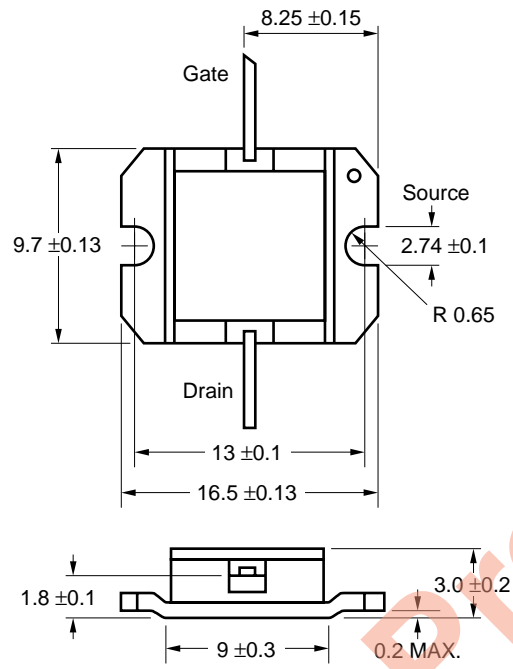
[NEZ1414-2E] TYPICAL S-PARAMETERS

MAG. AND ANG.

$V_{ds} = 9.0\text{ V}$, $I_{ds} = 0.7\text{ A}$

FREQUENCY GHz	S ₁₁		S ₁₂		S ₂₁		S ₂₂	
	MAG.	ANG. (deg.)	MAG.	ANG. (deg.)	MAG.	ANG. (deg.)	MAG.	ANG. (deg.)
12.5	0.720	54.026	0.041	-23.488	1.670	-12.914	0.559	139.492
12.6	0.714	47.272	0.042	-33.909	1.618	-27.927	0.536	132.577
12.7	0.703	40.563	0.046	-49.053	1.805	-33.613	0.513	125.731
12.8	0.694	33.714	0.054	-67.659	1.905	-41.620	0.489	118.906
12.9	0.681	25.911	0.042	-75.730	1.883	-59.438	0.469	110.831
13.0	0.665	18.142	0.049	-91.627	2.076	-70.774	0.444	102.528
13.1	0.647	10.006	0.048	-106.322	2.139	-85.459	0.423	94.278
13.2	0.619	1.522	0.050	-123.298	2.226	-106.292	0.397	85.041
13.3	0.598	-7.303	0.065	-121.906	2.244	-117.709	0.376	76.035
13.4	0.564	-16.994	0.066	-147.244	2.269	-129.798	0.354	66.079
13.5	0.528	-25.513	0.078	-144.394	2.572	-146.964	0.331	56.921
13.6	0.489	-35.940	0.076	-164.810	2.705	-157.354	0.308	46.382
13.7	0.458	-46.827	0.094	174.594	2.394	-172.475	0.291	35.057
13.8	0.417	-58.735	0.083	160.842	2.514	172.741	0.267	23.990
13.9	0.379	-71.139	0.104	137.769	2.483	160.220	0.245	12.747
14.0	0.345	-86.020	0.098	123.598	2.337	143.589	0.222	0.830
14.1	0.316	-100.664	0.095	110.275	2.380	130.321	0.199	-10.034
14.2	0.299	-117.676	0.100	95.196	2.475	115.146	0.177	-21.527
14.3	0.283	-135.202	0.094	85.165	2.473	100.169	0.155	-33.131
14.4	0.286	-153.247	0.096	73.113	2.387	85.738	0.132	-45.132
14.5	0.294	-171.013	0.098	56.700	2.393	72.248	0.113	-57.855
14.6	0.316	172.686	0.099	46.372	2.363	58.619	0.092	-72.397
14.7	0.341	157.476	0.103	29.217	2.329	44.378	0.074	-89.862
14.8	0.371	143.634	0.108	13.049	2.311	30.331	0.059	-113.198
14.9	0.404	130.878	0.107	0.943	2.279	15.402	0.048	-143.105
15.0	0.434	119.410	0.113	-17.401	2.226	0.717	0.046	-178.465
15.1	0.470	107.612	0.104	-31.285	2.173	-13.915	0.054	147.862
15.2	0.500	96.950	0.102	-45.363	2.138	-28.618	0.068	121.138
15.3	0.535	86.060	0.099	-59.856	2.067	-43.793	0.087	100.050
15.4	0.563	75.185	0.091	-74.474	2.002	-58.791	0.109	81.796
15.5	0.592	64.542	0.093	-86.447	1.930	-74.024	0.134	65.785
15.6	0.614	54.164	0.089	-101.479	1.858	-88.826	0.162	51.196
15.7	0.643	43.880	0.089	-115.807	1.768	-104.195	0.197	38.392
15.8	0.667	33.519	0.085	-129.917	1.668	-119.138	0.231	26.433
15.9	0.693	24.111	0.081	-143.437	1.558	-134.157	0.268	15.119
16.0	0.714	14.872	0.076	-159.317	1.473	-148.375	0.311	5.747

PACKAGE DIMENSIONS (UNIT: mm)



Discontinued Product

RECOMMENDED SOLDERING CONDITIONS

This product should be soldered under the following recommended conditions. For soldering methods and conditions other than those recommended below, contact your NEC sales representative.

Soldering Method	Soldering Conditions	Recommended Condition Symbol
Partial Heating	Pin temperature: 260°C Time: 5 seconds or less (per pin row)	-

For details of recommended soldering conditions, please contact your local NEC sales office.

Discontinued Product

[MEMO]

Discontinued Product

Caution

**The Great Care must be taken in dealing with the devices in this guide.
The reason is that the material of the devices is GaAs (Gallium Arsenide), which is designated as harmful substance according to the law concerned.
Keep the law concerned and so on, especially in case of removal.**

No part of this document may be copied or reproduced in any form or by any means without the prior written consent of NEC Corporation. NEC Corporation assumes no responsibility for any errors which may appear in this document.

NEC Corporation does not assume any liability for infringement of patents, copyrights or other intellectual property rights of third parties by or arising from use of a device described herein or any other liability arising from use of such device. No license, either express, implied or otherwise, is granted under any patents, copyrights or other intellectual property rights of NEC Corporation or others.

While NEC Corporation has been making continuous effort to enhance the reliability of its semiconductor devices, the possibility of defects cannot be eliminated entirely. To minimize risks of damage or injury to persons or property arising from a defect in an NEC semiconductor device, customers must incorporate sufficient safety measures in its design, such as redundancy, fire-containment, and anti-failure features.

NEC devices are classified into the following three quality grades:

"Standard", "Special", and "Specific". The Specific quality grade applies only to devices developed based on a customer designated "quality assurance program" for a specific application. The recommended applications of a device depend on its quality grade, as indicated below. Customers must check the quality grade of each device before using it in a particular application.

Standard: Computers, office equipment, communications equipment, test and measurement equipment, audio and visual equipment, home electronic appliances, machine tools, personal electronic equipment and industrial robots

Special: Transportation equipment (automobiles, trains, ships, etc.), traffic control systems, anti-disaster systems, anti-crime systems, safety equipment and medical equipment (not specifically designed for life support)

Specific: Aircrafts, aerospace equipment, submersible repeaters, nuclear reactor control systems, life support systems or medical equipment for life support, etc.

The quality grade of NEC devices is "Standard" unless otherwise specified in NEC's Data Sheets or Data Books. If customers intend to use NEC devices for applications other than those specified for Standard quality grade, they should contact an NEC sales representative in advance.

Anti-radioactive design is not implemented in this product.