

To our customers,

Old Company Name in Catalogs and Other Documents

On April 1st, 2010, NEC Electronics Corporation merged with Renesas Technology Corporation, and Renesas Electronics Corporation took over all the business of both companies. Therefore, although the old company name remains in this document, it is a valid Renesas Electronics document. We appreciate your understanding.

Renesas Electronics website: <http://www.renesas.com>

April 1st, 2010
Renesas Electronics Corporation

Issued by: Renesas Electronics Corporation (<http://www.renesas.com>)

Send any inquiries to <http://www.renesas.com/inquiry>.

Notice

1. All information included in this document is current as of the date this document is issued. Such information, however, is subject to change without any prior notice. Before purchasing or using any Renesas Electronics products listed herein, please confirm the latest product information with a Renesas Electronics sales office. Also, please pay regular and careful attention to additional and different information to be disclosed by Renesas Electronics such as that disclosed through our website.
2. Renesas Electronics does not assume any liability for infringement of patents, copyrights, or other intellectual property rights of third parties by or arising from the use of Renesas Electronics products or technical information described in this document. No license, express, implied or otherwise, is granted hereby under any patents, copyrights or other intellectual property rights of Renesas Electronics or others.
3. You should not alter, modify, copy, or otherwise misappropriate any Renesas Electronics product, whether in whole or in part.
4. Descriptions of circuits, software and other related information in this document are provided only to illustrate the operation of semiconductor products and application examples. You are fully responsible for the incorporation of these circuits, software, and information in the design of your equipment. Renesas Electronics assumes no responsibility for any losses incurred by you or third parties arising from the use of these circuits, software, or information.
5. When exporting the products or technology described in this document, you should comply with the applicable export control laws and regulations and follow the procedures required by such laws and regulations. You should not use Renesas Electronics products or the technology described in this document for any purpose relating to military applications or use by the military, including but not limited to the development of weapons of mass destruction. Renesas Electronics products and technology may not be used for or incorporated into any products or systems whose manufacture, use, or sale is prohibited under any applicable domestic or foreign laws or regulations.
6. Renesas Electronics has used reasonable care in preparing the information included in this document, but Renesas Electronics does not warrant that such information is error free. Renesas Electronics assumes no liability whatsoever for any damages incurred by you resulting from errors in or omissions from the information included herein.
7. Renesas Electronics products are classified according to the following three quality grades: “Standard”, “High Quality”, and “Specific”. The recommended applications for each Renesas Electronics product depends on the product’s quality grade, as indicated below. You must check the quality grade of each Renesas Electronics product before using it in a particular application. You may not use any Renesas Electronics product for any application categorized as “Specific” without the prior written consent of Renesas Electronics. Further, you may not use any Renesas Electronics product for any application for which it is not intended without the prior written consent of Renesas Electronics. Renesas Electronics shall not be in any way liable for any damages or losses incurred by you or third parties arising from the use of any Renesas Electronics product for an application categorized as “Specific” or for which the product is not intended where you have failed to obtain the prior written consent of Renesas Electronics. The quality grade of each Renesas Electronics product is “Standard” unless otherwise expressly specified in a Renesas Electronics data sheets or data books, etc.
 - “Standard”: Computers; office equipment; communications equipment; test and measurement equipment; audio and visual equipment; home electronic appliances; machine tools; personal electronic equipment; and industrial robots.
 - “High Quality”: Transportation equipment (automobiles, trains, ships, etc.); traffic control systems; anti-disaster systems; anti-crime systems; safety equipment; and medical equipment not specifically designed for life support.
 - “Specific”: Aircraft; aerospace equipment; submersible repeaters; nuclear reactor control systems; medical equipment or systems for life support (e.g. artificial life support devices or systems), surgical implantations, or healthcare intervention (e.g. excision, etc.), and any other applications or purposes that pose a direct threat to human life.
8. You should use the Renesas Electronics products described in this document within the range specified by Renesas Electronics, especially with respect to the maximum rating, operating supply voltage range, movement power voltage range, heat radiation characteristics, installation and other product characteristics. Renesas Electronics shall have no liability for malfunctions or damages arising out of the use of Renesas Electronics products beyond such specified ranges.
9. Although Renesas Electronics endeavors to improve the quality and reliability of its products, semiconductor products have specific characteristics such as the occurrence of failure at a certain rate and malfunctions under certain use conditions. Further, Renesas Electronics products are not subject to radiation resistance design. Please be sure to implement safety measures to guard them against the possibility of physical injury, and injury or damage caused by fire in the event of the failure of a Renesas Electronics product, such as safety design for hardware and software including but not limited to redundancy, fire control and malfunction prevention, appropriate treatment for aging degradation or any other appropriate measures. Because the evaluation of microcomputer software alone is very difficult, please evaluate the safety of the final products or system manufactured by you.
10. Please contact a Renesas Electronics sales office for details as to environmental matters such as the environmental compatibility of each Renesas Electronics product. Please use Renesas Electronics products in compliance with all applicable laws and regulations that regulate the inclusion or use of controlled substances, including without limitation, the EU RoHS Directive. Renesas Electronics assumes no liability for damages or losses occurring as a result of your noncompliance with applicable laws and regulations.
11. This document may not be reproduced or duplicated, in any form, in whole or in part, without prior written consent of Renesas Electronics.
12. Please contact a Renesas Electronics sales office if you have any questions regarding the information contained in this document or Renesas Electronics products, or if you have any other inquiries.

(Note 1) “Renesas Electronics” as used in this document means Renesas Electronics Corporation and also includes its majority-owned subsidiaries.

(Note 2) “Renesas Electronics product(s)” means any product developed or manufactured by or for Renesas Electronics.

MOS INTEGRATED CIRCUIT

μPD70F3433(A)

V850E/CG4™ CarGate-3G-384F

32-Bit Flash Microcontroller

DESCRIPTION

The V850E/CG4 ("CarGate-3G-384F") Flash microcontroller, is a member of NEC's V850 32-bit RISC family, which match the performance gains attainable with RISC-based controllers to the needs of embedded control applications. The V850 CPU offers easy pipeline handling and programming, resulting in compact code size comparable to 16-bit CISC CPUs.

The V850E/CG4 ("CarGate-3G-384F") is especially designed for the high performance requirements of sophisticated algorithms and calculations. It combines a powerful CPU-Core with a 16-bit wide external memory interface and embedded Flash. Furthermore, it offers an excellent combination of general purpose peripheral functions, like serial communication interfaces (UART, clocked SI and I²C) and measurement inputs (A/D converter), with dedicated CAN network support.

Thus equipped, the V850E/CG4 ("CarGate-3G-384F") is ideally suited for automotive applications, like CAN Gateways. It is also an excellent choice for other applications where a combination of sophisticated peripheral functions and CAN network support is required.

Functions in detail are described in the following user's manual. Be sure to read these manual when you design your systems.

V850E/CG4 CarGate-3G-384F Preliminary User's Manual: U17411EE1V0UM00

FEATURES

- 32-bit RISC CPU with Harvard Architecture
- 384 kB Flash, 32 kB RAM
- Full-CAN Interface: 6 channels
- Serial Interfaces: 6 channels
 - 3-wire mode: 3 channels
 - UART mode: 2 channels
 - I²C mode: 1 channel
- Timers: 3 channels
 - 16-bit multi purpose timer/event counter: channels: 3 channels
- 10-bit resolution A/D Converter: 4 channels
- Non-Multiplexed External Bus Interface (16-/8-bit data / 20-bit address)
- I/O lines: max. 80
- Power supply voltage range:
 - +4.3 V ≤ V_{DD5} ≤ +5.5 V
- Frequency range: up to 32 MHz
- Built-in low power saving mode
- Built-in clock oscillator circuit with internal PLL
- Temperature range:
 - -40 °C to +85 °C
- Package:
 - 100 LQFP, 0.5 mm pin-pitch (14 × 14 mm)

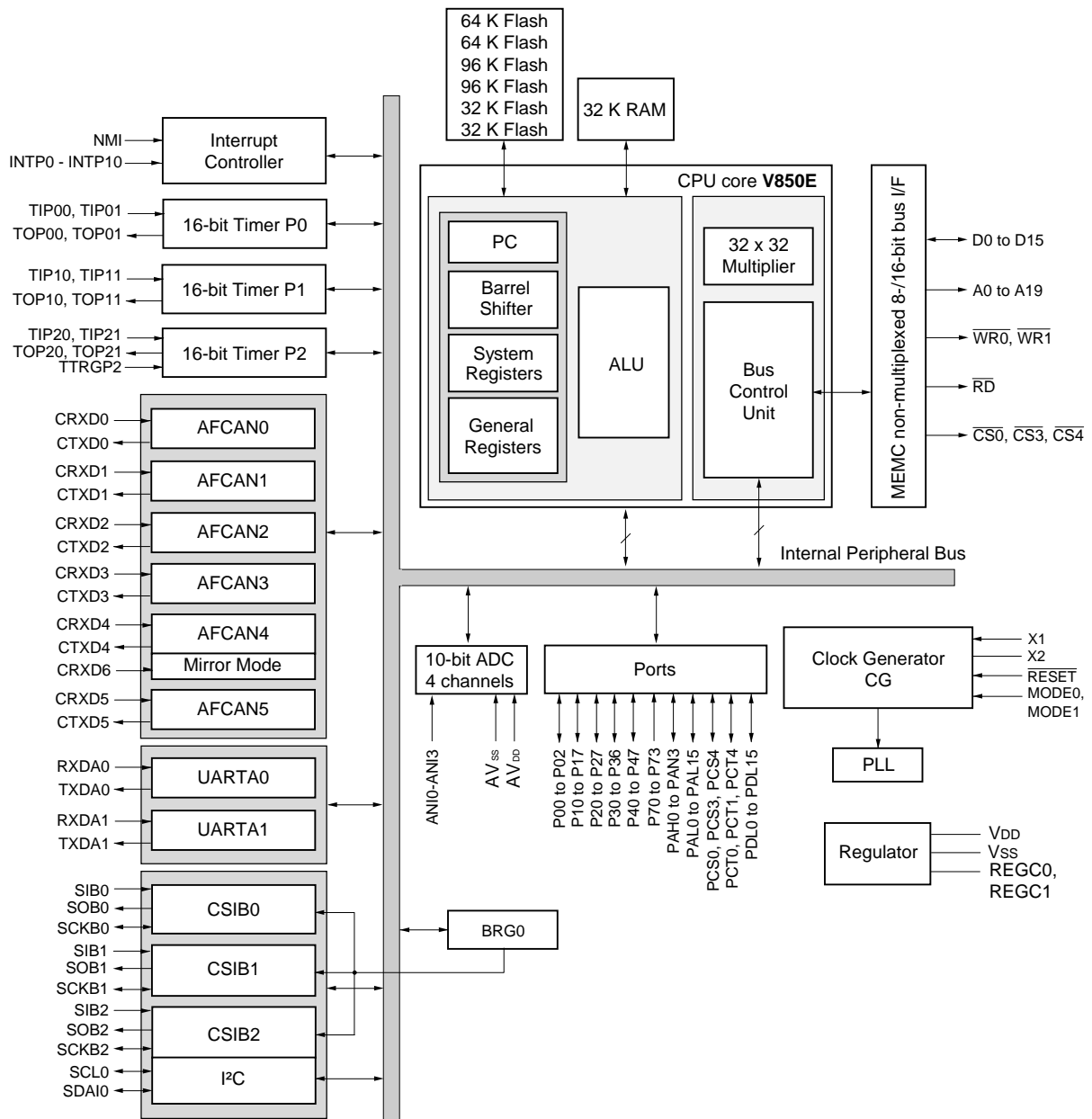
ORDERING INFORMATION

Device	Part Number	Package	ROM	RAM	Operating Temperature (T _A)
V850E/CG4	μPD70F3433(A)	LQFP100 14 mm × 14 mm	384 kB Flash	32 kB	-40°C ~ +85°C

The information in this document is subject to change without notice. Before using this document, please confirm that this is the latest version.

Not all products and/or types are available in every country. Please check with an NEC Electronics sales representative for availability and additional information.

INTERNAL BLOCK DIAGRAM



PIN IDENTIFICATION

A0 to A19	: Address Bus	PAL0 to PAL 15	Port AL
D0 to D15	: Data Bus	PCS0, PCS3, PCS4	: Port CS
ANI0 to ANI3	: Analog Input	PCT0, PCT1, PCT4	: Port CT
AV _{DD}	: Analog Power Supply	PDL0 to PDL15	Port PDL
AV _{SS}	: Analog Ground	$\overline{\text{RESET}}$: Reset
CRXD0 to CRXD6	: CAN Receive Line Input	RXDA0 to RXDA1	: UART Receive Data Input
CTXD0 to CTXD5	: CAN Transmit Line Output	SCKB0, SCKB1, SCKB2	: Serial Clock
CV _{DD}	: Clock Generator Power Supply	SCL	I ² C Clock
CV _{SS}	: Clock Generator Ground	SDA	I ² C Data
BVSS ₅₀ to BVSS ₅₃	Ground for 5 V Power Supply	SIB0, SIB1, SIB2	: Serial Input
VSS ₅₀ to VSS ₅₁	Ground for 5 V Power Supply	SOB0, SOB1, SOB2	: Serial Output
INTP0 to INTP10	External interrupt request	TIP00 to TIP01, TIP10 to TIP11, TIP20 to TIC21	: Timer Input
MODE0, MODE1	: Mode Inputs	TOP00 to TOP01, TOP10 to TOP11, TOP20 to TOP21	Timer Output
NMI	: Non-Maskable Interrupt Request	TXDA0 to TXDA1	: Transmit Data Output
P00 to P02	Port 0	TTRGP2	Timer Trigger Input
P10 to P17	: Port 1	BV _{DD50} to BV _{DD53}	: 5 V Power Supply
P20 to P27	: Port 2	V _{DD50} to V _{DD51}	: 5 V Power Supply
P30 to P36	: Port 3	$\overline{\text{WR0}}, \overline{\text{WR1}}$	Write Enable
P40 to P47	: Port 4	$\overline{\text{RD}}$: Read
P70 to P73	Port 7	$\overline{\text{CS0}}, \overline{\text{CS3}}, \overline{\text{CS4}}$	Chip Select
PAH0 to PAH3	: Port AH	X1, X2	: Crystal (Main-OSC)

PIN CONFIGURATION (Top View)

100-Pin Plastic LQFP (fine pitch) (14 mm × 14 mm)

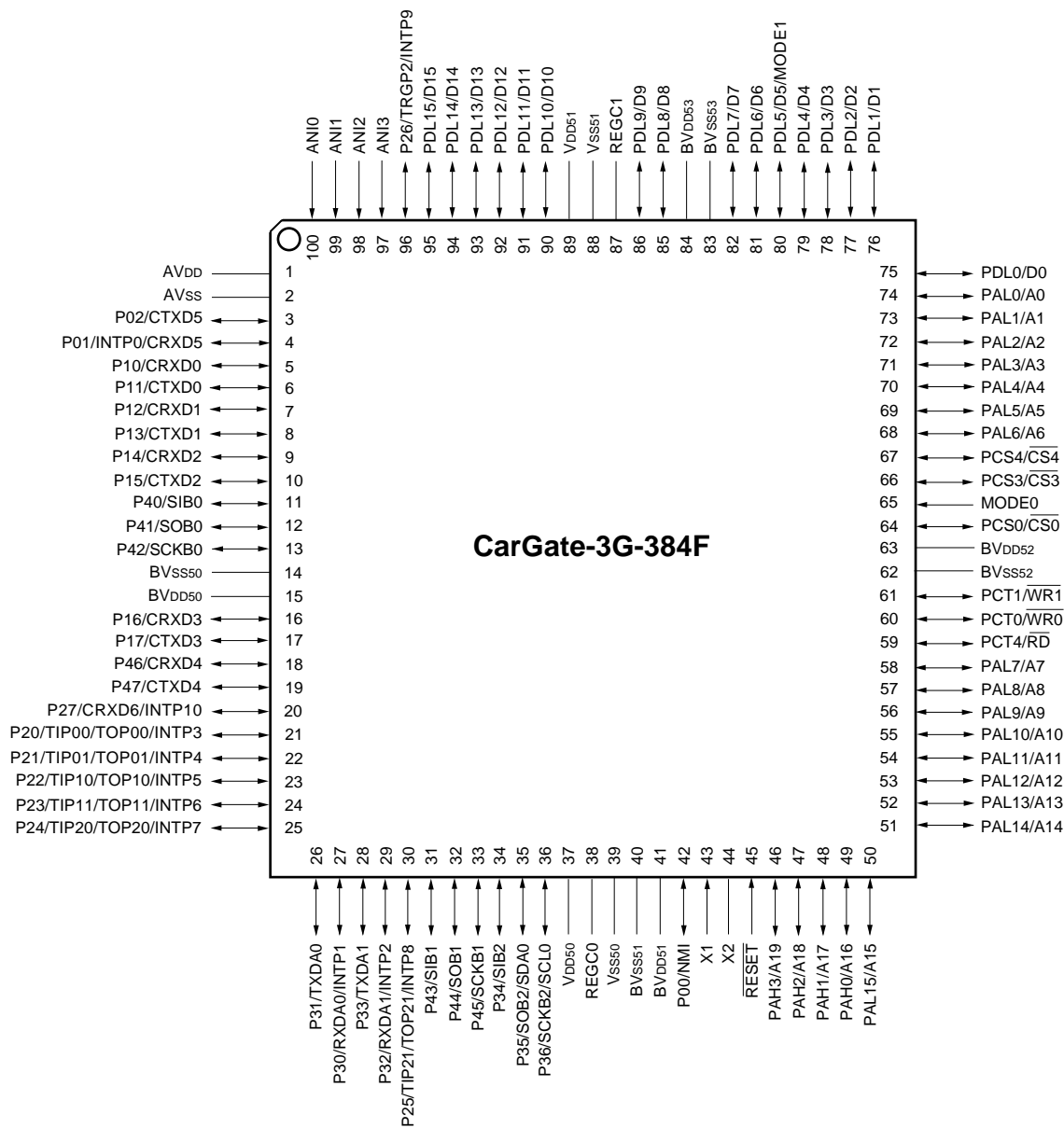


Table of Contents

1.	Pin Functions	9
1.1	I/O Circuits	14
2.	Programming Flash Memory	15
3.	Electrical Specifications	16
3.1	Absolute Maximum Ratings	16
3.2	General Characteristics	17
3.2.1	Recommended Main Oscillator circuit	17
3.2.2	Oscillator characteristics	17
3.2.3	Peripheral PLL characteristics	17
3.2.4	I/O capacitances	18
3.2.5	Recommended capacitor values for REGC	18
3.3	Operating Conditions	18
3.3.1	CPU clock	18
3.4	DC Characteristics	19
3.5	AC Characteristics	20
3.5.1	AC test input/output waveform	20
3.5.2	AC test load condition	20
3.5.3	Clock AC characteristics	20
3.5.4	External memory access read timing	21
3.5.5	External memory access write timing	22
3.5.6	Reset (power up/down sequence)	23
3.5.7	Interrupt timing	24
3.6	Peripheral Function Characteristics	25
3.6.1	Timer P	25
3.6.2	CSIB	26
3.6.3	UARTA	27
3.6.4	I ² C	27
3.6.5	AFCAN	28
3.6.6	A/D converter	29
3.7	Flash Memory	30
3.7.1	Basic characteristics	30
3.7.2	Serial write operation characteristics	30
4.	Package Drawing	31
5.	Recommended Soldering Conditions	32
6.	Revision History	33

List of Figures

Figure 1-1:	Pin I/O Circuits.....	14
Figure 3-1:	Ceramic Resonator or Crystal Resonator Connection	17
Figure 3-2:	AC Test Input/Output Waveform	20
Figure 3-3:	AC Test Load Condition	20
Figure 3-4:	SRAM Read Timing.....	21
Figure 3-5:	SRAM Write Timing.....	22
Figure 3-6:	Reset Timing	23
Figure 3-7:	Interrupt Timing	24
Figure 3-8:	Timer P Characteristics	25
Figure 3-9:	CSIB Slave Mode Characteristics	26
Figure 3-10:	I ² C Timing.....	28
Figure 3-11:	Analog Input Equivalent Circuit	29
Figure 3-12:	Flash Memory Timing.....	30
Figure 4-1:	Package Drawing	31

List of Tables

Table 1-1: Pin Functions..... 9

Table 1-2: Non-Port Pins 12

Table 3-1: Absolute Maximum Ratings..... 16

Table 3-2: DC Characteristics..... 19

Table 3-3: Reset Timing 23

Table 3-4: Interrupt Timing 24

Table 3-5: Timer P Characteristics 25

Table 3-6: CSIB Master Mode Characteristics 26

Table 3-7: CSIB Slave Mode Characteristics 26

Table 3-8: UARTA Characteristics..... 27

Table 3-9: Characteristics I²C 27

Table 3-10: AFCAN Characteristics..... 28

Table 3-11: A/D Converter Characteristics 29

Table 3-12: Flash Memory Characteristics 30

Table 3-13: Flash Memory Characteristics 30

Table 5-1: Soldering Conditions 32

1. Pin Functions

(1) Port pins

Table 1-1: Pin Functions (1/3)

Port	I/O	Function	Alternate
P00	I/O	Port 0 3-bit input/output port	NMI (I)
P01			INTP0 (I) CRXD5 (I)
P02			CTXD5 (O)
P10	I/O	Port 1 8-bit input/output port	CRXD0 (I)
P11			CTXD0 (O)
P12			CRXD1 (I)
P13			CTXD1 (O)
P14			CRXD2 (I)
P15			CTXD2 (O)
P16			CRXD3 (I)
P17			CTXD3 (O)
P20	I/O	Port 2 8-bit input/output port	TOP00 (O) TIP00 (I) INTP3 (I) CRXD4 (I)
P21			INTP4 (I) TOP01 (O) TIP01 (I)
P22			INTP5 (I) TOP10 (O) TIP10 (I)
P23			INTP6 (I) TOP11 (O) TIP11 (I)
P24			INTP7 (I) TOP20 (O) TIP20 (I)
P25			INTP8 (I) TOP21 (O) TIP21 (I)
P26			TTRGP2 (I) INTP9 (I)
P27			INTP10 (I)
P30	I/O	Port 3 7-bit input/output port	RXDA0 (I) INTP1 (I)
P31			TXDA0 (O)
P32			RXDA1 (I) INTP2 (I)
P33			TXDA1 (O)
P34			SIB2 (I)
P35			SDAO0 (O) SDAI0 (I) SOB2 (O)
P36			SCLO0 (O) SCKIB2 (I) SCLI0 (I) SCKOB2 (O)
P40	I/O	Port 4 8-bit input/output port	SIB0 (I)
P41			SOB0 (O)
P42			SCKIB0 (I) SCKOB0 (O)
P43			SIB1 (I)
P44			SOB1 (O)
P45			SCKIB1 (I) SCKOB1 (O)
P46			CRXD4 (I)
P47			CTXD4 (O)

Table 1-1: Pin Functions (2/3)

Port	I/O	Function	Alternate
PAH0	I/O	Port PAH 4-bit input/output	A16 (O)
PAH1			A17 (O)
PAH2			A18 (O)
PAH3			A19 (O)
PAL0	I/O	Port PAL 16-bit input/output	A0 (O)
PAL1			A1 (O)
PAL2			A2 (O)
PAL3			A3 (O)
PAL4			A4 (O)
PAL5			A5 (O)
PAL6			A6 (O)
PAL7			A7 (O)
PAL8			A8 (O)
PAL9			A9 (O)
PAL10			A10 (O)
PAL11			A11 (O)
PAL12			A12 (O)
PAL13			A13 (O)
PAL14			A14 (O)
PAL15			A15 (O)
PCS0	I/O	Port PCS 3-bit input/output	$\overline{CS0}$ (O)
PCS3			$\overline{CS3}$ (O)
PCS4			$\overline{CS4}$ (O)
PCT0	I/O	Port PCT 3-bit input/output	$\overline{WR0}$ (O)
PCT1			$\overline{WR1}$ (O)
PCT4			\overline{RD} (O)

Table 1-1: Pin Functions (3/3)

Port	I/O	Function	Alternate
PDL0	I/O	Port PDL 16-bit input/output	DO0 (O) DI0 (I)
PDL1			DO1 (O) DI1 (I)
PDL2			DO2 (O) DI2 (I)
PDL3			DO3 (O) DI3 (I)
PDL4			DI4 (I) DO4 (O)
PDL5			DI5 (I) DO5 (O) MODE1 (I)
PDL6			DI6 (I) DO6 (O)
PDL7			DI7 (I) DO7 (O)
PDL8			DO8 (O) DI8 (I)
PDL9			DO9 (O) DI9 (I)
PDL10			DI10 (I) DO10 (O)
PDL11			DI11 (I) DO11 (O)
PDL12			DO12 (O) DI12 (I)
PDL13			DO13 (O) DI13 (I)
PDL14			DI14 (I) DO14 (O)
PDL15			DI15 (I) DO15 (O)

(2) Non-port pins

Table 1-2: Non-Port Pins (1/2)

Pin Name	I/O	Function	Port
A0 - A15	O	Address bus of external bus	PAL0 - PAL15
A16 - A19	O		PAH0 -PAH3
AIN0 - AIN3	I	Analog input for A/D converter	
CRXD0	I	Serial receive data input for AFCAN0 to AFCAN4	P10
CRXD1	I		P12
CRXD2	I		P14
CRXD3	I		P16
CRXD4	I		P46
CRXD5	I		P01
CRXD6	I		Additional Receive Input for Mirror Mode
CS0	O	Chip select output for external bus	PCS0
CS3	O		PCS3
CS4	O		PCS4
CTXD0	O	Serial transmit data for AFCAN0 to AFCAN4	P11
CTXD1	O		P13
CTXD2	O		P15
CTXD3	O		P17
CTXD4	O		P47
CTXD5	O		P02
D0 - D15	I/O	Data bus of external bus	PDL0 - PDL15
INTP0	I	External interrupt request	P01
INTP1	I		P30
INTP2	I		P32
INTP3	I		P20
INTP4	I		P21
INTP5	I		P22
INTP6	I		P23
INTP7	I		P24
INTP8	I		P25
INTP9	I		P26
INTP10	I		P27
NMI	I	Non maskable interrupt	P00
RD	O	Read strobe signal	PCT4
RXDA0	I	Serial receive data UARTA0 & UARTA1	P30
RXDA1	I		P32
SCKB0	I/O	Serial clock I/O from CSIB0 - CSIB2	P42
SCKB1	I/O		P45
SCKB2	I/O		P36
SCL0	I/O	Serial clock line I ² C	P36
SDA10	I/O	Serial data line I ² C	P35

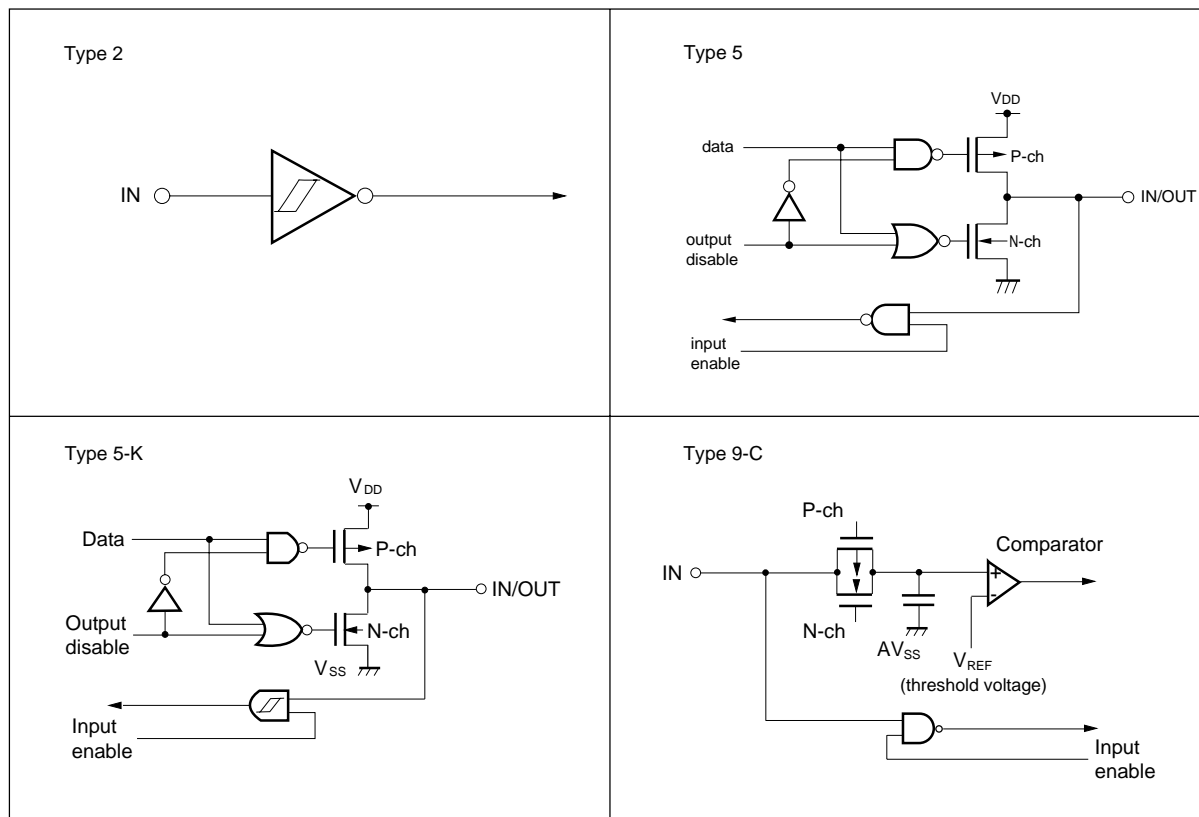
Table 1-2: Non-Port Pins (2/2)

Pin Name	I/O	Function	Port
SIB0	I	Serial data input CSIB0 - CSIB2	P40
SIB1	I		P43
SIB2	I		P34
SOB0	O	Serial data output CSIB0- CSIB2	P41
SOB1	O		P44
SOB2	O		P35
TIP00	I	Capture input 0-1 Timer P0 - Timer P2	P20
TIP01	I		P21
TIP10	I		P22
TIP11	I		P23
TIP20	I		P24
TIP21	I		P25
TOP00	O	Compare output 0-1 Timer P0 - Timer P2	P20
TOP01	O		P21
TOP10	O		P22
TOP11	O		P23
TOP20	O		P24
TOP21	O		P25
TTRGP2	I	Timer Trigger Input Timer P2	P26
TXDA0	O	Serial transmit data output UARTA0 - UARTA1	P31
TXDA1	O		P33
$\overline{WR0}$	O	Write strobe signal for external bus	PCT0
$\overline{WR1}$	O		PCT1
AV _{DD}	-	5 V power supply ADC	-
AV _{SS}	-	GND potential for 5 V power supply ADC	-
V _{DD50} -V _{DD51}	-	5 V power supply	-
BV _{DD50} -BV _{DD53}	-		-
V _{SS50} -V _{SS50}	-	GND potential for 5 V power supply	-
BV _{SS50} -BV _{SS53}	-		-
MODE	I	Specifies Operation mode	-
MODE1	I		PDL5
REGC0	-	Connection of regulator stabilization capacitance	-
REGC1	-		-
\overline{RESET}	I	System reset input	-
X1	I	Connection of external oscillator	-
X2	0		-

All V_{DD5} pins have to be connected to each other. On each pin of V_{DD5}, a capacitor containing a very low serial impedance has to be attached as tight as possible to the pin.

1.1 I/O Circuits

Figure 1-1: Pin I/O Circuits



2. Programming Flash Memory

The device μPD70F3433(A) supports the programming of the internal flash in two ways: Either by using the *flash*PRO4 programming tool or by performing self-programming using software functions and I/O communications.

For programming details about both methods, see the User's Manual. For timing characteristics about the initial programming using *flash*PRO4 and some more electrical data about the Flash Memory, see 3.7 "Flash Memory" on page 30.

3. Electrical Specifications

All electrical parameters which are shown in the following tables are representing target values.

3.1 Absolute Maximum Ratings

($T_A = 25^\circ\text{C}$, $V_{SS5} = 0\text{ V}$)

Table 3-1: Absolute Maximum Ratings

Parameter		Symbol	Test Conditions	Ratings	Unit
Supply voltage		V_{DD5}		-0.5 ~ +6.5	V
		A_{VDD}		-0.5 ~ +6.5	V
		BV_{DD5}		-0.5 ~ +6.5	V
		BV_{SS5}		-0.5 ~ +0.5	V
		A_{VSS}		-0.5 ~ +0.5	V
Input voltage		V_{I4}	$V_{I4} < BV_{DD5} + 0.5\text{ V}$	-0.5 ~ + 6.5	V
		V_{IA} ^{Note}	$V_{IA} < A_{VDD} + 0.5\text{ V}$	-0.5 ~ + 6.5	V
Output current low	1 pin	I_{OL4}		4.0	mA
	All pins	I_{OLA}		50	mA
Output current high	1 pin	I_{OH4}		-4.0	mA
	All pins	I_{OHA}		-50	mA
Output voltage		V_O	$V_O < BV_{DD5} + 0.5\text{ V}$	-0.5 ~ +6.5	V
Operating temperature (ambient)		T_{OPR}		-40 ~ +85	°C
Storage temperature		T_{STGB}		-40 ~ +125	°C

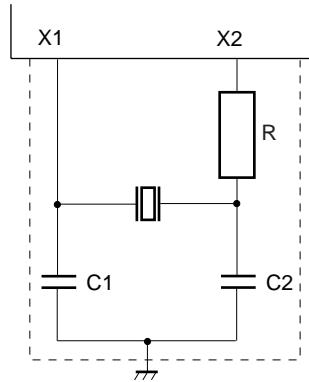
Note: V_{IA} is the voltage applied to the analog input pins P73...P70

Remark: V_{DD5} is the supply voltage for the internal voltage regulators applied to pins V_{DD5x} .
 A_{VDD} is the supply and reference voltage for analog part of the A/D converter
 BV_{DD5} is the supply voltage for the I/O buffers applied to pins BV_{DD5x}
 V_{SS5} is the ground for the internal logic applied to pins V_{SS5x}
 A_{VSS} is the ground for the analog part of the A/D converter
 BV_{SS5} is the ground for the I/O buffers applied to pins BV_{SS5x}

3.2 General Characteristics

3.2.1 Recommended Main Oscillator circuit

Figure 3-1: Ceramic Resonator or Crystal Resonator Connection



Note: Values of C_1 , C_2 and R depend on the used crystal or resonator and must be specified in cooperation with resonator manufacturer.

3.2.2 Oscillator characteristics

($T_A = -40 \sim +85^\circ\text{C}$, $V_{DD5} = BV_{DD5} = 4.3 \text{ V} \sim 5.5 \text{ V}$, $V_{SS5} = BV_{SS5} = 0 \text{ V}$)

Parameter	Symbol	Test Conditions	MIN.	TYP.	MAX.	Unit
Oscillation stabilization time	T_{OST}	OSC MODE			16^{Note}	ms

Note: T_{OST} depends on the external crystal and the correct selection of C_1 , C_2 and R .

Remark: This value is valid only for crystal operation.

3.2.3 Peripheral PLL characteristics

($T_A = -40 \sim +85^\circ\text{C}$, $V_{DD5} = BV_{DD} = 4.3 \text{ V} \sim 5.5 \text{ V}$, $V_{SS5} = BV_{SS5} = 0 \text{ V}$)

Parameter	Symbol	Test Conditions	MIN.	TYP.	MAX.	Unit
PLL start-up time	T_{PST}	OSC MODE			$4800/f_{OSC}^{\text{Note}}$	μs

Note: f_{OSC} is the oscillator frequency.

3.2.4 I/O capacitances

($T_A = -40 \sim +85^\circ\text{C}$, $V_{DD5} = BV_{DD5} = 4.3 \text{ V} \sim 5.5 \text{ V}$, $V_{SS5} = BV_{SS5} = 0 \text{ V}$)

Parameter	Symbol	Test Conditions	MIN.	TYP.	MAX.	Unit
Input capacitance	C_I	$f_C = 1 \text{ MHz}$ Unmeasured pins returned to 0 V			10	pF
Input/output capacitance	C_{IO}				10	pF
Output capacitance	C_O				10	pF

3.2.5 Recommended capacitor values for REGC

The recommended capacitor value for REGC0 and REGC1 is 4.7 μF.

- Remarks:**
1. NEC recommends to use a second capacitor with 100 nF in parallel to reduce disturbances with high frequencies.
 2. The terminals REGC0 and REGC1 must not be connected to each other.

3.3 Operating Conditions

3.3.1 CPU clock

($T_A = -40 \sim +85^\circ\text{C}$, $V_{DD5} = BV_{DD5} = AV_{DD} = 4.3 \text{ V} \sim 5.5 \text{ V}$, $V_{SS5} = BV_{SS5} = AV_{SS} = 0 \text{ V}$)

Clock Mode	Operation Mode	Inside Operation Clock Frequency [MHz]
OSC mode, PLL off	all modes C_1 ^{Note 1} = C_2 ^{Note 2} = 4.7 μF	4 to 6
OSC mode, PLL × 4		20 to 24
OSC mode, PLL × 8		32

- Notes:**
1. C_1 is the external capacitance connected to pin REGC0
 2. C_2 is the external capacitance connected to pin REGC1

3.4 DC Characteristics

($T_A = -40 \sim +85^\circ\text{C}$, $V_{DD5} = BV_{DD5} = AV_{DD} = 4.3 \text{ V} \sim 5.5 \text{ V}$, $V_{SS5} = BV_{SS5} = AV_{SS} = 0 \text{ V}$)

Table 3-2: DC Characteristics

Parameter	Symbol	Test Conditions	MIN.	TYP.	MAX.	Unit
Input voltage high	V_{IH1}	Pin group 1 Note 1	$0.7 BV_{DD5}$		BV_{DD5}	V
Input voltage low	V_{IL1}		0		$0.3 BV_{DD5}$	V
Input voltage high	V_{IH1}	Pin group 2 Note 2	$0.7 BV_{DD5}$		BV_{DD5}	V
Input voltage low	V_{IL1}		0		$0.3 BV_{DD5}$	V
P73...P70 Input voltage high	V_{IHA}		$0.7 AV_{DD}$		AV_{DD}	V
P73...P70 Input voltage low	V_{ILA}		0		$0.3 AV_{DD}$	V
Output voltage high	V_{OH}	$I_{OH} = -3.0 \text{ mA}$	$BV_{DD5} - 1$			V
Output voltage low	V_{OL}	$I_{OL} = 3.0 \text{ mA}$			0.4	V
Input leakage current high	I_{LIH}	$V_I = V_{DD5x}$			-3	μA
Input leakage current low	I_{LIL}	$V_I = 0 \text{ V}$			3	μA
P73...P70 Input leakage current high	I_{LIHA}	$V_{IA} = AV_{DD}$			-3	μA
P73...P70 Input leakage current low	I_{LILA}	$V_{IA} = 0 \text{ V}$			3	μA
Supply current	I_{DD10}	Operating $f_{CPU} = 32 \text{ MHz}$ PLL: on		88	125	mA
	I_{DD11}	Operating ($f_{CPU} = 24 \text{ MHz}$) PLL: on		80	115	mA
	I_{DD20}	HALT Mode $f_{CPU} = 32 \text{ MHz}$ PLL: on		58	83	mA
	I_{DD21}	HALT Mode ($f_{PLL} = 24 \text{ MHz}$) PLL: on		48	68	mA
	I_{DD30}	IDLE Mode $f_{CPU} = 32 \text{ MHz}$ PLL: on		2.6	4	mA
	I_{DD31}	IDLE Mode ($f_{PLL} = 24 \text{ MHz}$) PLL: on		2.6	4	mA
	I_{DD5}	STOP		30	200	μA

- Notes:** 1. Pin group 1 is PAL, PAH, PDL, PCS, PCT
 2. Pin group 2 is P0, P1, P2, P3, P4, P7, MODE, $\overline{\text{RESET}}$

Remark: These values are without consumption of I/O-pins

3.5 AC Characteristics

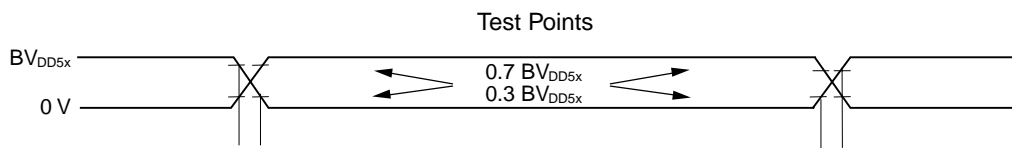
$T_A = -40 \sim +85^\circ\text{C}$,

$BV_{DD5} = V_{DD5} = AV_{DD} = 4.3 \text{ V} \sim 5.5 \text{ V}$, $BV_{SS5} = V_{SS5} = AV_{SS5} = 0 \text{ V}$,

Output pin load capacitance: $C_L = 50 \text{ pF}$

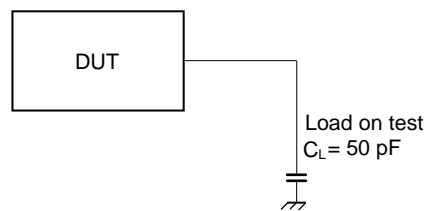
3.5.1 AC test input/output waveform

Figure 3-2: AC Test Input/Output Waveform



3.5.2 AC test load condition

Figure 3-3: AC Test Load Condition



3.5.3 Clock AC characteristics

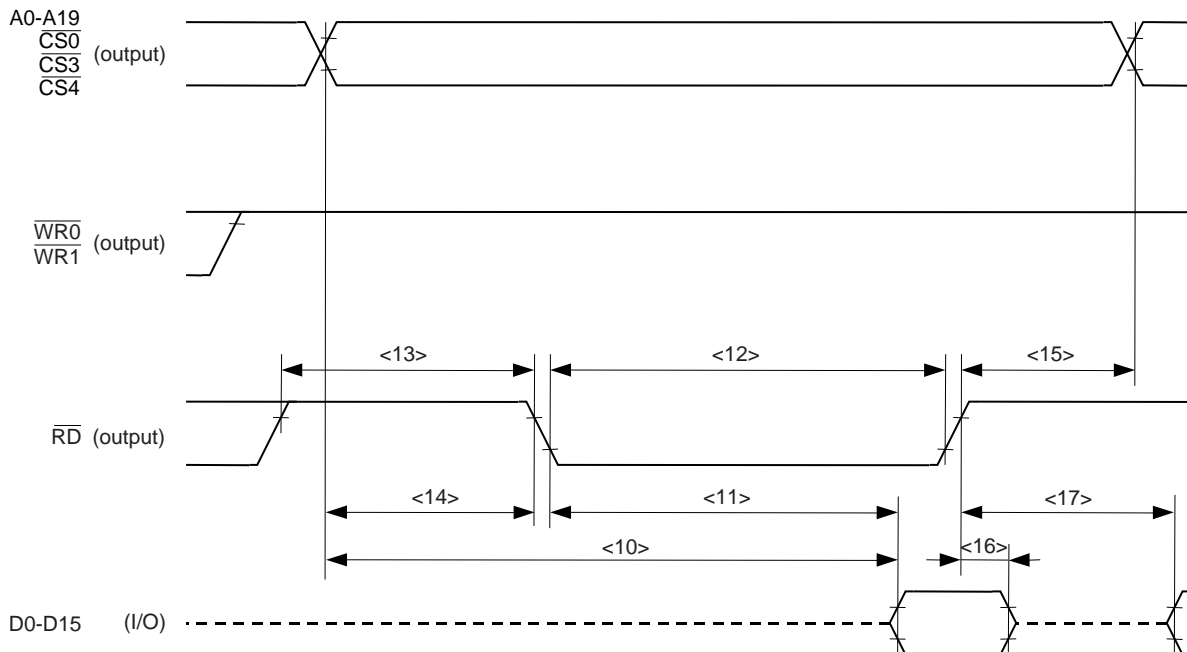
Parameter	Symbol	Test Conditions	MIN.	TYP.	MAX.	Unit
X1, X2 oscillator frequency	f_{OSC}	OSC MODE; PLL $\times 4$	4		6	MHz
		PLL $\times 8$	4	4	4	MHz

3.5.4 External memory access read timing

Parameter	Symbol	Conditions	Min.	Max	Unit
Data input set up time (vs. address)	<10> T_{SAID}			$(2+W_T)T - 45$	ns
Data input set up time (vs. $\overline{RD}\downarrow$)	<11> T_{SRDID}			$(1.5+W_D)T - 40$	ns
\overline{RD} Low level width	<12> T_{WRDL}		$(1.5+W_D)T - 15$		ns
\overline{RD} High level width	<13> T_{WRDH}		$(0.5+W_{AS} + iT - 13$		ns
Address, \overline{CSn} \overline{RD} delay time	<14> T_{DARD}		$(0.5+W_{AS})T - 20$		ns
\overline{RD} address delay time	<15> T_{DRDA}		$iT - 15$		ns
Data input hold time (vs. $\overline{RD}\uparrow$)	<16> T_{HRDID}		0		ns
\overline{RD} data output delay time	<17> T_{DRDOD}		$(0.5+i)T - 35$		ns

- Note:** T : $1 / f_{CPU}$ (= frequency of system clock)
 i : Number of idle states specified by BCC register
 W_T : Total Number of waits, $W_T = W_{AS} + W_D$
 W_{AS} : Number of waits specified by ASC register
 W_D : Number of waits specified by DWC1, DWC2 register

Figure 3-4: SRAM Read Timing

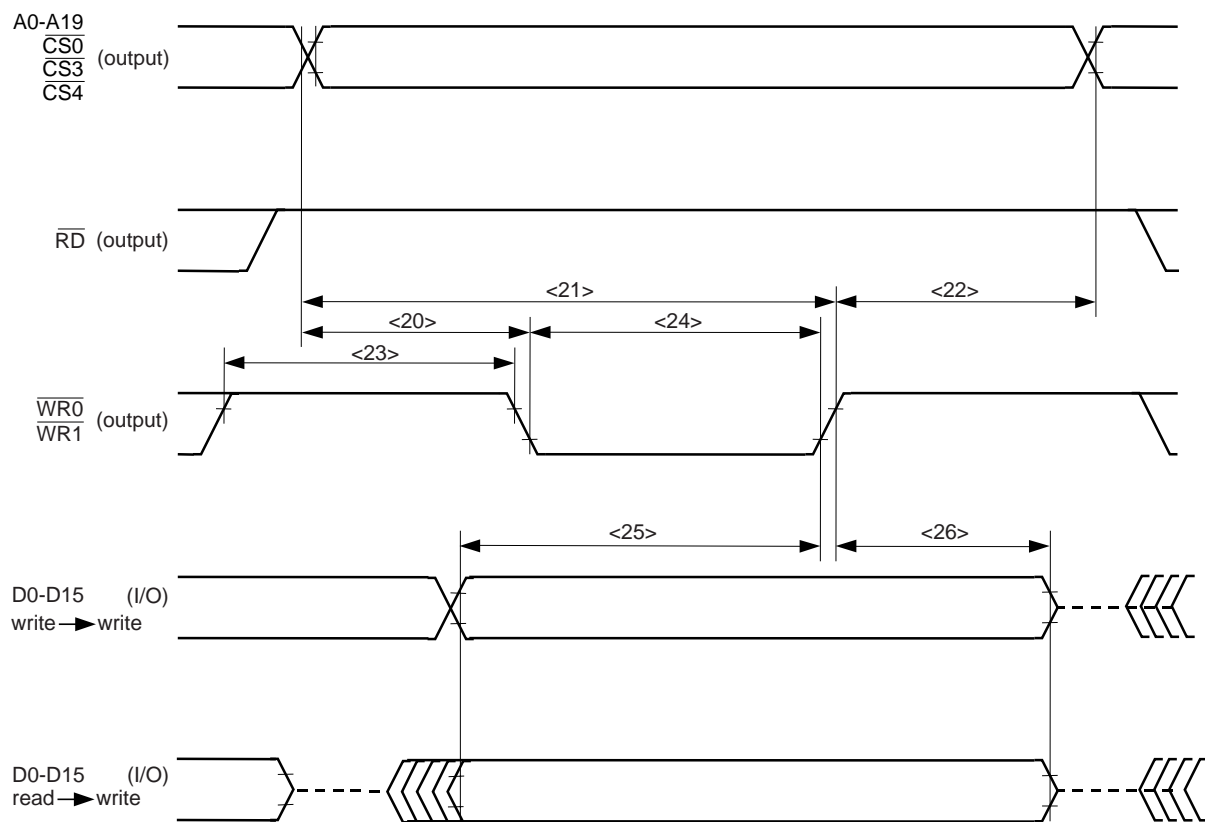


3.5.5 External memory access write timing

Parameter	Symbol	Conditions	MIN.	MAX.	Unit
Address, \overline{CSn} , $\overline{WR0}$, $\overline{WR1}$ delay time	<20>	T_{DAWR}	$(0.5+W_{AS})T - 25$		ns
Address set up (vs. $\overline{WR0}$, $\overline{WR1}\uparrow$)	<21>	T_{SAWR}	$(1.5+W_T)T - 20$		ns
$\overline{WR0}$, $\overline{WR1}$ address delay time	<22>	T_{DWRA}	$(0.5+i)T - 15$		ns
$\overline{WR0}$, $\overline{WR1}$ High level width	<23>	T_{WWRH}	$(1+i+W_{AS})T - 15$		ns
$\overline{WR0}$, $\overline{WR1}$ Low level width	<24>	T_{WWRL}	$(1+W_D)T - 15$		ns
Data output set up time (vs. $\overline{WR0}$, $\overline{WR1}\uparrow$)	<25>	T_{SODWR}	$(0.5+W_T)T - 25$		ns
Data output hold time (vs. $\overline{WR0}$, $\overline{WR1}\uparrow$)	<26>	T_{HWROD}	$(0.5+I)T - 20$		ns

Note: T : $1 / f_{CPU}$ (= frequency of system clock)
 i : Number of idle states specified by BCC register
 W_T : Total Number of waits, $W_T = W_{AS} + W_D$
 W_{AS} : Number of waits specified by ASC register
 W_D : Number of waits specified by DWC1, DWC2 register

Figure 3-5: SRAM Write Timing

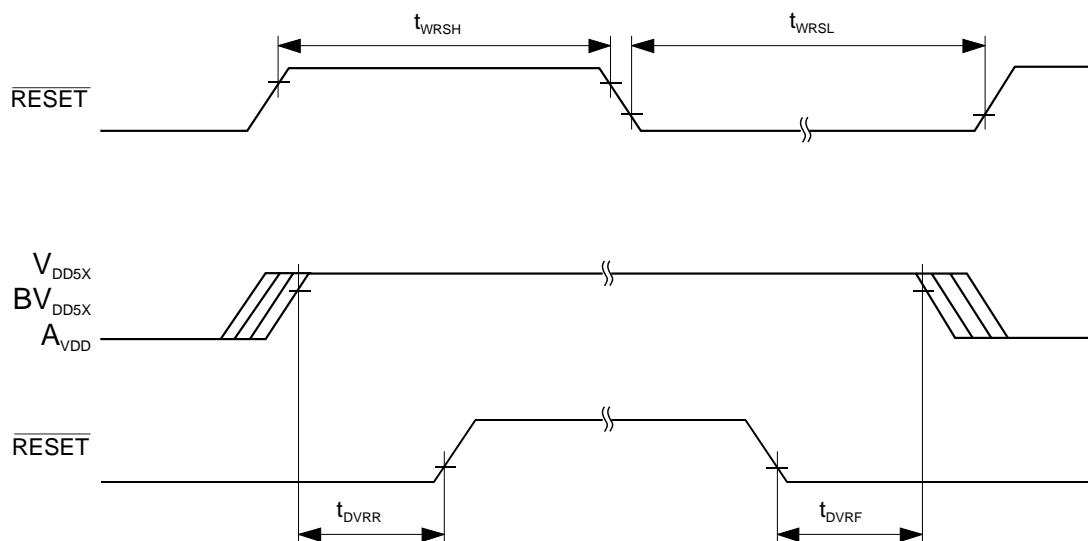


3.5.6 Reset (power up/down sequence)

Table 3-3: Reset Timing

Parameter	Symbol	Test Conditions	MIN.	MAX.	Unit
RESET high-level width	t_{WRSH}		500		ns
RESET low-level width	t_{WRSL0}	STOP Mode release, OSC mode	T_{OST}		ms
	t_{WRSL1}	except STOP Mode release & Power Up	1.5		ms
RESET hold time	t_{DVRR}	OSC Mode on power-on	T_{WRSLx}		ms
RESET setup time	t_{DVRF}	OSC Mode on power-off	0		ns

Figure 3-6: Reset Timing



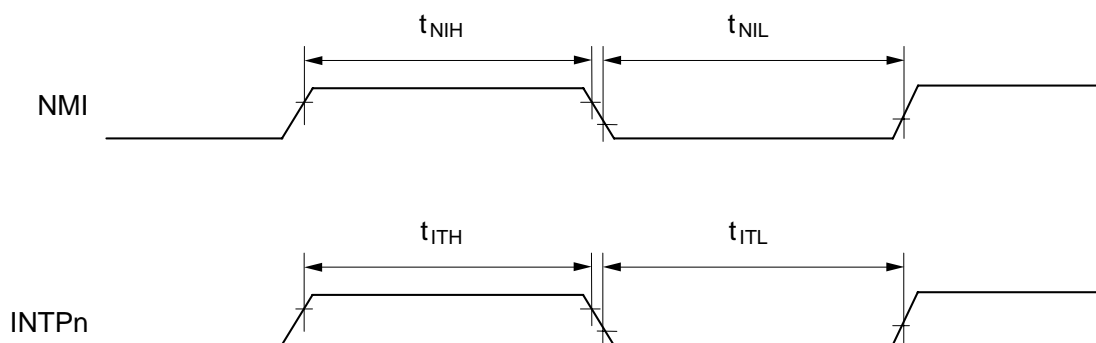
3.5.7 Interrupt timing

Table 3-4: Interrupt Timing

Parameter	Symbol	Test Conditions	MIN.	TYP.	MAX.	Unit
NMI high-level width	t_{NIH}	analog filter	500	45		ns
NMI low-level width	t_{NIL}	analog filter	500	45		ns
INTP _i ^{Note} high-level width	t_{ITH}	analog filter	500	45		ns
INTP _i ^{Note} low-level width	t_{ITL}	analog filter	500	45		ns

Note: $i = 10...0$

Figure 3-7: Interrupt Timing



3.6 Peripheral Function Characteristics

3.6.1 Timer P

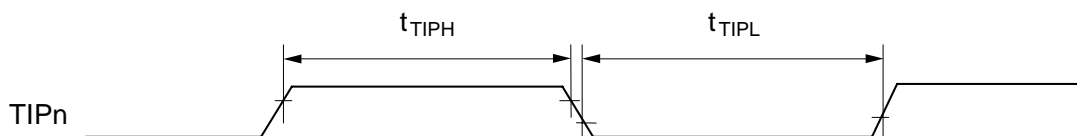
Table 3-5: Timer P Characteristics

Parameter	Symbol	Test Conditions	MIN.	TYP.	MAX.	Unit
TIPmn ^{Note 1} high-level width	t _{TIPH}		150+4/f _{CLK}	45+4/f _{CLK} ^{Note 2}		ns
TIPmn ^{Note 1} low-level width	t _{TIPL}		150+4/f _{CLK}	45+4/f _{CLK} ^{Note 2}		ns

Notes: 1. m = 2...0, n = 1...0

2. f_{CLK} is the system clock frequency as specified in section 3.3.1 "CPU clock" on page 18.

Figure 3-8: Timer P Characteristics



3.6.2 CSIB

Table 3-6: CSIB Master Mode Characteristics

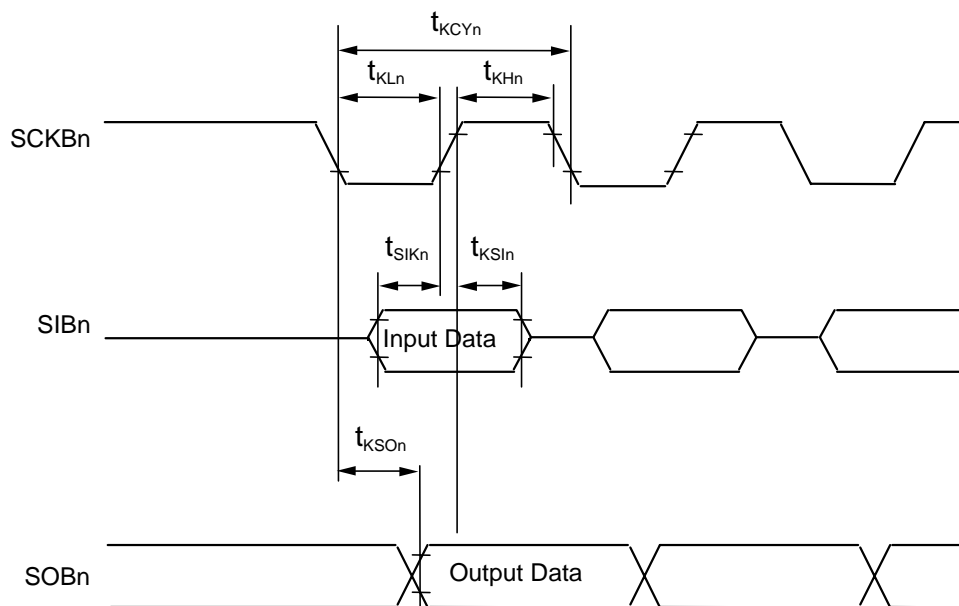
Parameter	Symbol	Test Conditions	MIN.	MAX.	Unit
SCKBn cycle time	t_{KCY1}		125		ns
SCKBn high level width	t_{KH1}		$0.5 t_{KCY1} - 15$		ns
SCKBn low level width	t_{KL1}		$0.5 t_{KCY1} - 15$		ns
SIBn setup time (to SCKBn)	t_{SIK1}		30		ns
SIBn hold time (from SCKBn)	t_{KSI1}		25		ns
Delay time from SCKBn to SOBn	t_{KSO1}			25	ns

Table 3-7: CSIB Slave Mode Characteristics

Parameter	Symbol	Test Conditions	MIN.	MAX.	Unit
SCKBn cycle time	t_{KCY1}		200		ns
SCKBn high level width	t_{KH1}		$0.5 t_{KCY1} - 15$		ns
SCKBn low level width	t_{KL1}		$0.5 t_{KCY1} - 15$		ns
SIBn setup time (to SCKBn)	t_{SIK1}		50		ns
SIBn hold time (from SCKBn)	t_{KSI1}		50		ns
Delay time from SCKBn to SOBn	t_{KSO1}			50	ns

Remark: $n = 2 \dots 0$

Figure 3-9: CSIB Slave Mode Characteristics



3.6.3 UARTA

Table 3-8: UARTA Characteristics

Parameter	Symbol	Test Conditions	MIN.	MAX.	Unit
Transfer rate	T _{UARTA}			312.5	kbps

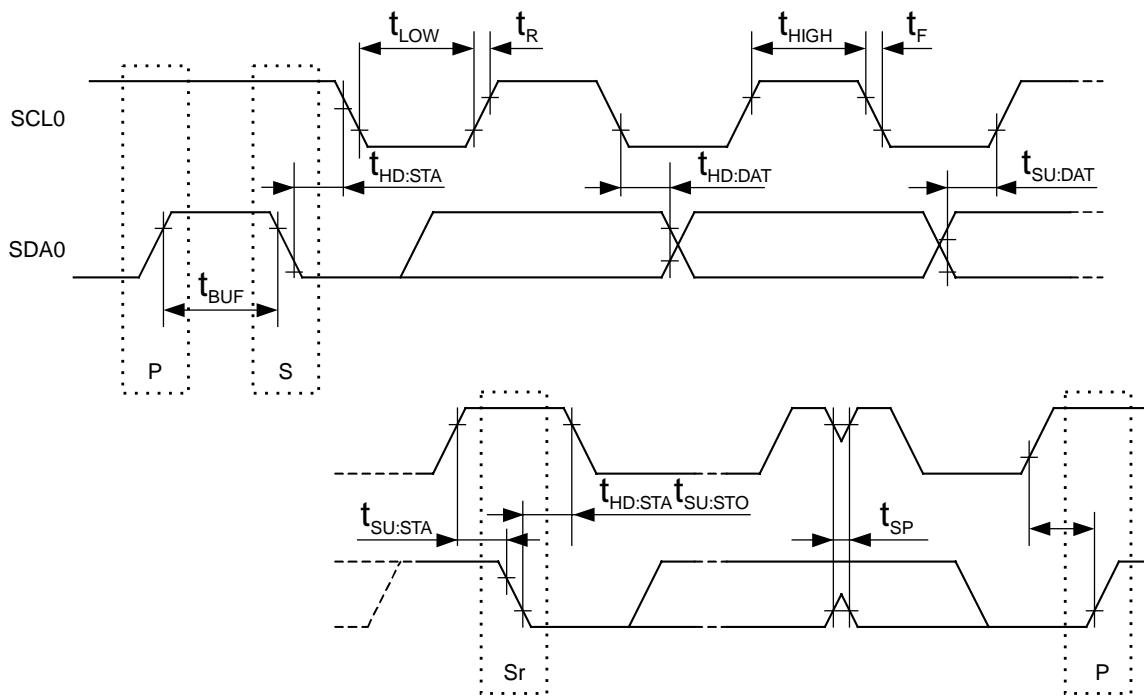
3.6.4 I²C

Table 3-9: Characteristics I²C

Parameter	Symbol	Normal Mode		High-speed Mode		Unit
		min.	max.	min.	max.	
SCL0 clock frequency	f _{CLK}	0	100	0	400	kHz
Bus-free time (between stop/start conditions)	t _{BUF}	4.7	—	1.3	—	μs
Hold time ^{Note 1}	t _{HD:STA}	4.0	—	0.6	—	μs
SCL0 clock low-level width	t _{LOW}	4.7	—	1.3	—	μs
SCL0 clock high-level width	t _{HIGH}	4.0	—	0.6	—	μs
Setup time for start/restart conditions	t _{SU:STA}	4.7	—	0.6	—	μs
Data hold time	CBUS compatible master	t _{HD:DAT}	5.0	—	—	μs
	I ² C mode	t _{HD:DAT}	0 ^{Note 2}	—	0 ^{Note 2}	0.9 ^{Note 3}
Data setup time	t _{SU:DAT}	250	—	100 ^{Note 4}	—	ns
STOP condition setup time	t _{SU:STO}	4.0	—	0.6	—	μs
Capacitive load of each bus line	C _b	—	50	—	50	pF

- Notes:**
- At the start condition, the first clock pulse is generated after the hold time.
 - The system requires a minimum of 300 ns hold time Internally for the SDA signal (at V_{IHmin} of SCL0 signal) in order to occupy the undefined area at the falling edge of SCL0.
 - If the system does not extend the SCL0 signal low hold time (t_{low}), only the maximum data hold time (t_{HD:DAT}) needs to be satisfied.
 - The high-speed-mode IIC bus can be used In a normal-mode IIC bus system. In this case, set the high-speed-mode IIC bus so that It meets the following conditions:
 - If the system does not extend the SCL0n signal's low state hold time: t_{SU:DAT} ≥ 250 ns
 - If the system extends the SCL0n signal's low state hold time:
 Transmit the following data bit to the SDA0 line prior to releasing the SCL0 line (t_{Rmax} + t_{SU:DAT} = 1000 + 250 = 1250 ns: Normal mode IIC bus specification).

Figure 3-10: I²C Timing



- Remarks:
1. P: Stop condition
 2. S: Start condition
 3. S_R: Restart condition

3.6.5 AFCAN

Table 3-10: AFCAN Characteristics

Parameter	Symbol	Test Conditions	MIN.	MAX.	Unit
Transfer rate	T _{AFCAN}	f _{Peripheral} ≥ 16 MHz		1	Mbps

3.6.6 A/D converter

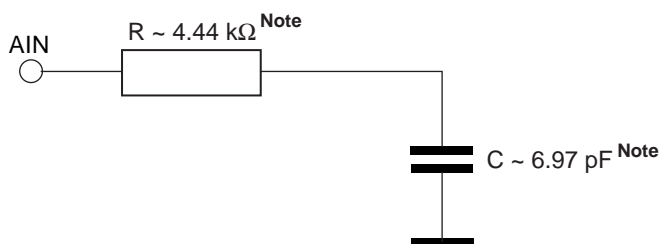
($T_A = -40 \sim +85^\circ\text{C}$, $BV_{DD5} = V_{DD5} = V_{AVDD} = 4.3 \sim 5.5 \text{ V}$, $BV_{SS5} = V_{SS5} = AV_{SS} = 0 \text{ V}$)

Table 3-11: A/D Converter Characteristics

Parameter	Symbol	Test Conditions	MIN.	TYP.	MAX.	Unit
Resolution	-			10		Bit
Overall error ^{Note 1}	-				± 4	LSB
Conversion time ^{Note 2}	T_{CONV}		4.84		38.75	μs
Analog input voltage	V_{IAN}		AV_{SS}		AV_{DD}	V
Analogue supply current	I_{AVDD}			5	10	mA

- Notes:** 1. Quantization error is not included
 2. T_{CONV} depends on register ADA0M1

Figure 3-11: Analog Input Equivalent Circuit



Note: These are typical values only for reference. This values aren't part of the mass production test.

3.7 Flash Memory

3.7.1 Basic characteristics

($T_A = -40 \sim +85^\circ\text{C}$, $BV_{DD5} = V_{DD5} = V_{AVDD} = 4.3 \sim 5.5 \text{ V}$, $BV_{SS5} = V_{SS5} = AV_{SS} = 0 \text{ V}$)

Table 3-12: Flash Memory Characteristics

Parameter	Symbol	Test Conditions	MIN.	TYP.	MAX.	Unit
Operation frequency	f_{CPU}		4		40	MHz
Number of rewrites	C_{WRT}				100	times
High level input voltage	V_{IH}	FLMD0 ^{Note}	0.8 BV_{DD}		BV_{DD}	V
Low level input voltage	V_{IL}		0		0.2 BV_{DD}	V
Programming temperature	t_{PRG}		-40		+85	°C

Note: FLMD0 is shared function of the MODE pin.

3.7.2 Serial write operation characteristics

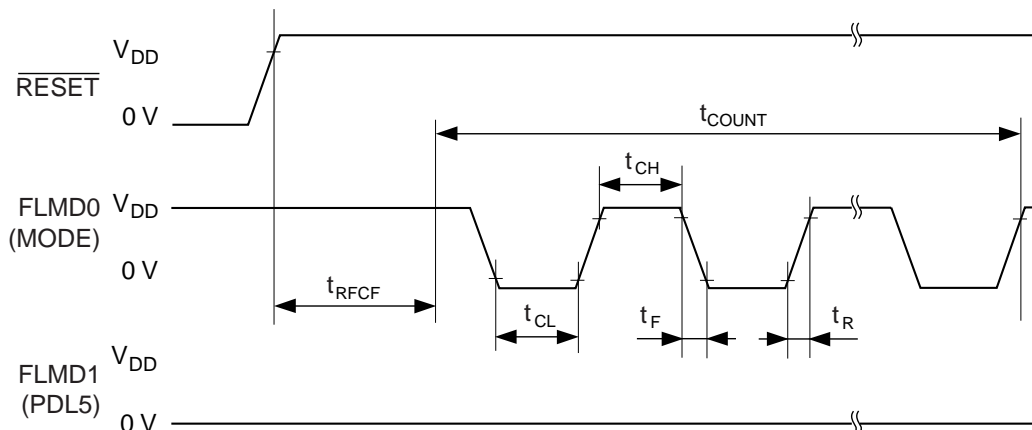
($T_A = -40 \sim +85^\circ\text{C}$, $BV_{DD5} = V_{DD5} = V_{AVDD} = 4.3 \sim 5.5 \text{ V}$, $BV_{SS5} = V_{SS5} = AV_{SS} = 0 \text{ V}$)

Table 3-13: Flash Memory Characteristics

Parameter	Symbol	Test Conditions	MIN.	TYP.	MAX.	Unit
Count start time from rising edge of $\overline{\text{RESET}}$ to FLMD0 ^{Note}	t_{RFCF}		$t_{\text{OST}} + 4500/f_{\text{OSC}}$			ms
Count execution time	t_{COUNT}				$7800/f_{\text{OSC}}$	ms
FLMD0 counter High/Low level width	$t_{\text{CH}}, t_{\text{CL}}$		1			μs

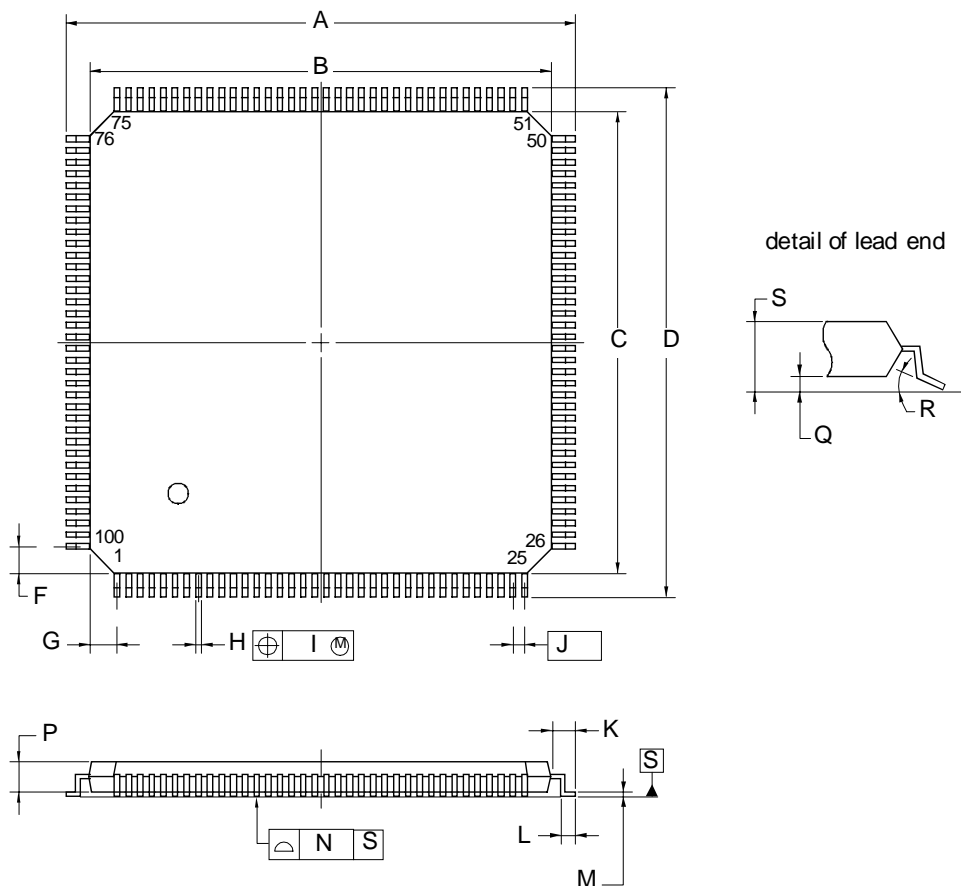
Note: FLMD0 is shared function of the MODE pin.

Figure 3-12: Flash Memory Timing



4. Package Drawing

Figure 4-1: Package Drawing



ITEM	MILLIMETERS
A	16.0±0.2
B	14.0±0.2
C	14.0±0.2
D	16.0±0.2
F	1.00
G	1.00
H	0.22 ^{+0.05} / _{-0.04}
I	0.08
J	0.5 (T.P.)
K	1.0±0.2
L	0.5±0.2
M	0.17 ^{+0.03} / _{-0.07}
N	0.08
P	1.40±0.05
Q	0.10±0.05
R	3 ⁺⁷ / ₋₃
S	1.60 MAX

S100GC-50-8EU-1

5. Recommended Soldering Conditions

Solder this product under the following recommended conditions.
 For details of the recommended soldering conditions, refer to information document Semiconductor Device:

Mounting Technology Manual (C10535E).

For soldering methods and conditions other than those recommended please consult NEC.

Table 5-1: Soldering Conditions

Soldering Method	Soldering Condition	Symbol of Recommended Soldering Condition
Infrared reflow	Package peak temperature: 235 °C, Time: 10 seconds max., Number of times: 3 max., Number of days: 7 Note	IR35-107-3

Note: After that, prebaking is necessary at 125 °C for 10 hours.
 The number of days refers to storage at 25°C, 65% RH MAX after the dry pack has been opened.

Caution: Do not use two or more soldering methods in combination (except partial heating method).

6. Revision History

Version	Date	Author	Remarks
0.1	2005/11/21	S.Vollhardt	First released version of this document

NOTES FOR CMOS DEVICES

① **VOLTAGE APPLICATION WAVEFORM AT INPUT PIN**

Waveform distortion due to input noise or a reflected wave may cause malfunction. If the input of the CMOS device stays in the area between V_{IL} (MAX) and V_{IH} (MIN) due to noise, etc., the device may malfunction. Take care to prevent chattering noise from entering the device when the input level is fixed, and also in the transition period when the input level passes through the area between V_{IL} (MAX) and V_{IH} (MIN).

② **HANDLING OF UNUSED INPUT PINS**

Unconnected CMOS device inputs can be cause of malfunction. If an input pin is unconnected, it is possible that an internal input level may be generated due to noise, etc., causing malfunction. CMOS devices behave differently than Bipolar or NMOS devices. Input levels of CMOS devices must be fixed high or low by using pull-up or pull-down circuitry. Each unused pin should be connected to V_{DD} or GND via a resistor if there is a possibility that it will be an output pin. All handling related to unused pins must be judged separately for each device and according to related specifications governing the device.

③ **PRECAUTION AGAINST ESD**

A strong electric field, when exposed to a MOS device, can cause destruction of the gate oxide and ultimately degrade the device operation. Steps must be taken to stop generation of static electricity as much as possible, and quickly dissipate it when it has occurred. Environmental control must be adequate. When it is dry, a humidifier should be used. It is recommended to avoid using insulators that easily build up static electricity. Semiconductor devices must be stored and transported in an anti-static container, static shielding bag or conductive material. All test and measurement tools including work benches and floors should be grounded. The operator should be grounded using a wrist strap. Semiconductor devices must not be touched with bare hands. Similar precautions need to be taken for PW boards with mounted semiconductor devices.

④ **STATUS BEFORE INITIALIZATION**

Power-on does not necessarily define the initial status of a MOS device. Immediately after the power source is turned ON, devices with reset functions have not yet been initialized. Hence, power-on does not guarantee output pin levels, I/O settings or contents of registers. A device is not initialized until the reset signal is received. A reset operation must be executed immediately after power-on for devices with reset functions.

⑤ **INPUT OF SIGNAL DURING POWER OFF STATE**

Do not input signals or an I/O pull-up power supply while the device is not powered. The current injection that results from input of such a signal or I/O pull-up power supply may cause malfunction and the abnormal current that passes in the device at this time may cause degradation of internal elements. Input of signals during the power off state must be judged separately for each device and according to related specifications governing the device.

- **The information in this document is current as of November, 2005. The information is subject to change without notice. For actual design-in, refer to the latest publications of NEC Electronics data sheets or data books, etc., for the most up-to-date specifications of NEC Electronics products. Not all products and/or types are available in every country. Please check with an NEC Electronics sales representative for availability and additional information.**
- No part of this document may be copied or reproduced in any form or by any means without the prior written consent of NEC Electronics. NEC Electronics assumes no responsibility for any errors that may appear in this document.
- NEC Electronics does not assume any liability for infringement of patents, copyrights or other intellectual property rights of third parties by or arising from the use of NEC Electronics products listed in this document or any other liability arising from the use of such products. No license, express, implied or otherwise, is granted under any patents, copyrights or other intellectual property rights of NEC Electronics or others.
- Descriptions of circuits, software and other related information in this document are provided for illustrative purposes in semiconductor product operation and application examples. The incorporation of these circuits, software and information in the design of a customer's equipment shall be done under the full responsibility of the customer. NEC Electronics assumes no responsibility for any losses incurred by customers or third parties arising from the use of these circuits, software and information.
- While NEC Electronics endeavors to enhance the quality, reliability and safety of NEC Electronics products, customers agree and acknowledge that the possibility of defects thereof cannot be eliminated entirely. To minimize risks of damage to property or injury (including death) to persons arising from defects in NEC Electronics products, customers must incorporate sufficient safety measures in their design, such as redundancy, fire-containment and anti-failure features.
- NEC Electronics products are classified into the following three quality grades: "Standard", "Special" and "Specific".
 The "Specific" quality grade applies only to NEC Electronics products developed based on a customer-designated "quality assurance program" for a specific application. The recommended applications of an NEC Electronics product depend on its quality grade, as indicated below. Customers must check the quality grade of each NEC Electronics product before using it in a particular application.
 "Standard": Computers, office equipment, communications equipment, test and measurement equipment, audio and visual equipment, home electronic appliances, machine tools, personal electronic equipment and industrial robots.
 "Special": Transportation equipment (automobiles, trains, ships, etc.), traffic control systems, anti-disaster systems, anti-crime systems, safety equipment and medical equipment (not specifically designed for life support).
 "Specific": Aircraft, aerospace equipment, submersible repeaters, nuclear reactor control systems, life support systems and medical equipment for life support, etc.

The quality grade of NEC Electronics products is "Standard" unless otherwise expressly specified in NEC Electronics data sheets or data books, etc. If customers wish to use NEC Electronics products in applications not intended by NEC Electronics, they must contact an NEC Electronics sales representative in advance to determine NEC Electronics' willingness to support a given application.

(Note)

- (1) "NEC Electronics" as used in this statement means NEC Electronics Corporation and also includes its majority-owned subsidiaries.
- (2) "NEC Electronics products" means any product developed or manufactured by or for NEC Electronics (as defined above).

M8E 02.11-1

*For further information,
please contact:*

NEC Electronics Corporation
1753, Shimonumabe, Nakahara-ku,
Kawasaki, Kanagawa 211-8668,
Japan
Tel: 044-435-5111
<http://www.necel.com/>

[America]

NEC Electronics America, Inc.
2880 Scott Blvd.
Santa Clara, CA 95050-2554, U.S.A.
Tel: 408-588-6000
800-366-9782
<http://www.am.necel.com/>

[Europe]

NEC Electronics (Europe) GmbH
Arcadiastrasse 10
40472 Düsseldorf, Germany
Tel: 0211-65030
<http://www.eu.necel.com/>

Hanover Office
Podbielskistrasse 164
30177 Hannover
Tel: 0 511 33 40 2-0

Munich Office
Werner-Eckert-Strasse 9
81829 München
Tel: 0 89 92 10 03-0

Stuttgart Office
Industriestrasse 3
70565 Stuttgart
Tel: 0 711 99 01 0-0

United Kingdom Branch
Cygnus House, Sunrise Parkway
Linford Wood, Milton Keynes
MK14 6NP, U.K.
Tel: 01908-691-133

Succursale Française
9, rue Paul Dautier, B.P. 52180
78142 Velizy-Villacoublay Cédex
France
Tel: 01-3067-5800

Sucursal en España
Juan Esplandiu, 15
28007 Madrid, Spain
Tel: 091-504-2787

Tyskland Filial
Täby Centrum
Entrance S (7th floor)
18322 Täby, Sweden
Tel: 08 638 72 00

Filiale Italiana
Via Fabio Filzi, 25/A
20124 Milano, Italy
Tel: 02-667541

Branch The Netherlands
Limburglaan 5
5616 HR Eindhoven
The Netherlands
Tel: 040 265 40 10

[Asia & Oceania]

NEC Electronics (China) Co., Ltd
7th Floor, Quantum Plaza, No. 27 ZhiChunLu Haidian
District, Beijing 100083, P.R.China
TEL: 010-8235-1155
<http://www.cn.necel.com/>

NEC Electronics Shanghai Ltd.
Room 2509-2510, Bank of China Tower,
200 Yincheng Road Central,
Pudong New Area, Shanghai P.R. China P.C:200120
Tel: 021-5888-5400
<http://www.cn.necel.com/>

NEC Electronics Hong Kong Ltd.
12/F., Cityplaza 4,
12 Taikoo Wan Road, Hong Kong
Tel: 2886-9318
<http://www.hk.necel.com/>

Seoul Branch
11F., Samik Lavied'or Bldg., 720-2,
Yeoksam-Dong, Kangnam-Ku,
Seoul, 135-080, Korea
Tel: 02-558-3737

NEC Electronics Taiwan Ltd.
7F, No. 363 Fu Shing North Road
Taipei, Taiwan, R. O. C.
Tel: 02-2719-2377

NEC Electronics Singapore Pte. Ltd.
238A Thomson Road,
#12-08 Novena Square,
Singapore 307684
Tel: 6253-8311
<http://www.sg.necel.com/>

G05.11-1A

Facsimile Message

From:

Name

Company

Tel.

FAX

Address

Although NEC has taken all possible steps to ensure that the documentation supplied to our customers is complete, bug free and up-to-date, we readily accept that errors may occur. Despite all the care and precautions we've taken, you may encounter problems in the documentation. Please complete this form whenever you'd like to report errors or suggest improvements to us.

Thank you for your kind support.

North America

NEC Electronics America Inc.
Corporate Communications Dept.
Fax: 1-800-729-9288
1-408-588-6130

Hong Kong, Philippines, Oceania

NEC Electronics Hong Kong Ltd.
Fax: +852-2886-9022/9044

Asian Nations except Philippines

NEC Electronics Singapore Pte. Ltd.
Fax: +65-6250-3583

Europe

NEC Electronics (Europe) GmbH
Marketing Services & Publishing
Fax: +49(0)-211-6503-1344

Korea

NEC Electronics Hong Kong Ltd.
Seoul Branch
Fax: 02-528-4411

Japan

NEC Semiconductor Technical Hotline
Fax: +81- 44-435-9608

Taiwan

NEC Electronics Taiwan Ltd.
Fax: 02-2719-5951

I would like to report the following error/make the following suggestion:

Document title: _____

Document number: _____ Page number: _____

If possible, please fax the referenced page or drawing.

Document Rating	Excellent	Good	Acceptable	Poor
Clarity	<input type="checkbox"/>	<input type="checkbox"/>	<input type="checkbox"/>	<input type="checkbox"/>
Technical Accuracy	<input type="checkbox"/>	<input type="checkbox"/>	<input type="checkbox"/>	<input type="checkbox"/>
Organization	<input type="checkbox"/>	<input type="checkbox"/>	<input type="checkbox"/>	<input type="checkbox"/>

[MEMO]