

Description

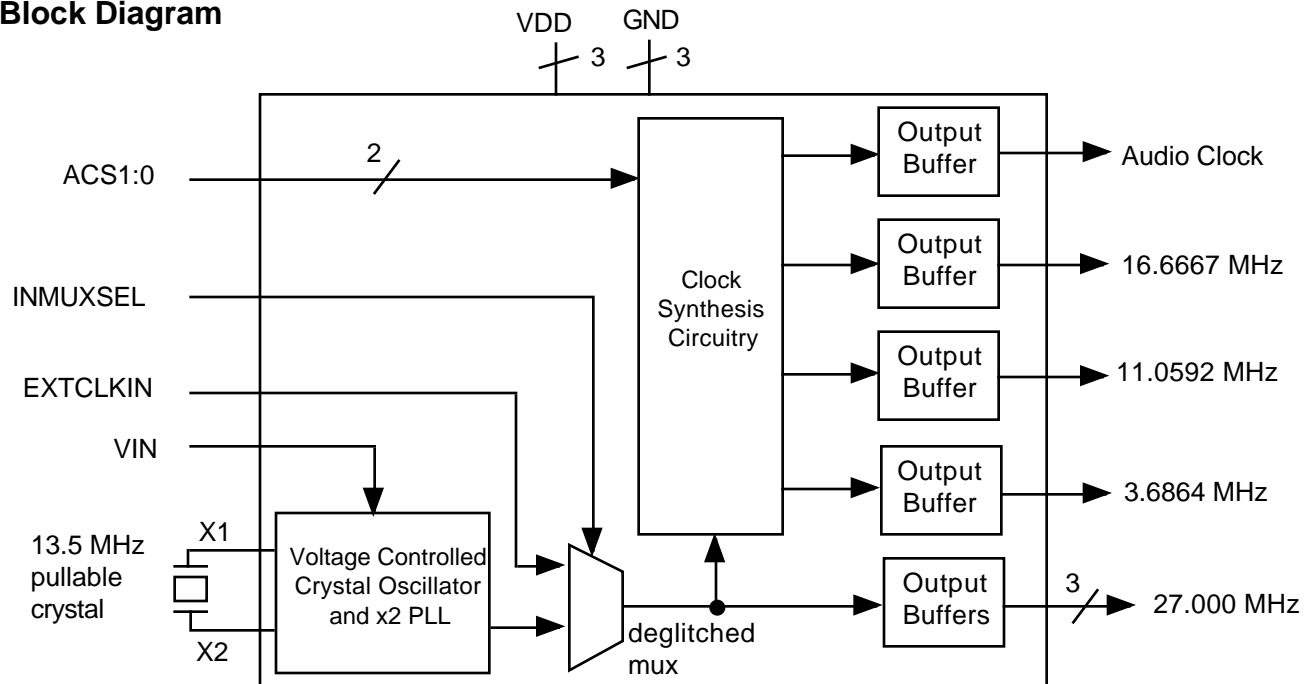
The MK2772-01 is a low cost, low jitter, high performance VCXO and clock synthesizer for set-top boxes. The on-chip Voltage Controlled Crystal Oscillator accepts a 0 to 3V input voltage to cause the output clocks to vary by ± 100 ppm. Using ICS' patented VCXO and analog Phase-Locked Loop (PLL) techniques, the device uses an inexpensive 13.5 MHz crystal input to produce multiple output clocks. All clocks are frequency locked to the 27.00MHz output (and to each other) with zero ppm error. The MK2772 includes a glitch-free multiplexer to switch input sources during operation.

ICS manufactures the largest variety of Set-Top Box and multimedia clock synthesizers for all applications. Consult ICS to eliminate VCXOs, crystals and oscillators from your board.

Features

- Packaged in 20 pin SOIC (Pb free available)
- Uses an inexpensive 13.5 MHz crystal
- On-chip VCXO (patented) with pull range of 200ppm (minimum)
- Ability to switch input sources "on-the-fly"
- VCXO tuning voltage of 0 to 3V
- Zero ppm synthesis error (patented) in all clocks. All exactly track 27MHz VCXO
- All clocks are frequency locked. All will vary the same amount (in ppm) as the VCXO
- Selectable Audio clock for 256x, 384x, and 512x.
- 25mA output drive capability at TTL levels
- Advanced, low power, sub-micron CMOS process
- 5V operating voltage

Block Diagram



Pin Assignment

ACS1	1	20	ACS0
X2	2	19	EXTCLKIN
X1	3	18	27M
VDD	4	17	GND
VIN	5	16	27M
VDD	6	15	VDD
GND	7	14	GND
16.67M	8	13	27M
3.68M	9	12	11.06M
ACLK	10	11	INMUXSEL

Audio Clock Select

ACS1	ACS0	ACLK (MHz)
0	0	8.192
0	M	16.384
0	1	11.2896
M	0	16.9344
M	M	22.5792
M	1	18.432
1	0	12.288
1	M	24.576
1	1	5.6448

Input Source Select

INMUXSEL	27 MHz Input
0	EXTCLKIN
1	Internal VCXO

Pin Descriptions

Number	Name	Type	Description
1	ACS1	TI	Audio Clock Select 1. Determines ACLK frequency, as per table above.
2	X2	X	Crystal connection. Connect to a pullable 13.5 MHz crystal.
3	X1	X	Crystal connection. Connect to a pullable 13.5 MHz crystal.
4	VDD	P	Connect to +5V, and other VDDs.
5	VIN	VI	Voltage Input to VCXO. Zero to 3V signal which controls the frequency of the VCXO.
6	VDD	P	Connect to +5V.
7	GND	P	Connect to ground.
8	16.67M	O	16.6667 MHz processor clock output.
9	3.68M	O	3.6864 MHz clock output.
10	ACLK	O	Audio Clock Output determined by ACS1,0. Per table above.
11	INMUXSEL	I	Input Multiplexer Select. Selects either the internal VCXO/PLL output, or the clock on pin 19.
12	11.06M	O	11.0592 MHz clock output.
13	27M	O	27.00 MHz clock output.
14	GND	P	Connect to ground.
15	VDD	P	Connect to +5V.
16	27M	O	27.00 MHz clock output.
17	GND	P	Connect to ground.
18	27M	O	27.00 MHz clock output.
19	EXTCLKIN	I	External Clock Input. Connect an external 27 MHz clock to this pin for glitch free switching.
20	ACS0	TI	Audio Clock Select 0. Determines ACLK frequency, as per table above.

Key: I = Input, TI = tri-level input, VI = VCXO input, O = output, P = power supply connection, X = crystal connection

Electrical Specifications

Parameter	Conditions	Minimum	Typical	Maximum	Units
ABSOLUTE MAXIMUM RATINGS (note 1)					
Supply voltage, VDD	Referenced to GND			7	V
Inputs and Clock Outputs	Referenced to GND	-0.5		VDD+0.5	V
Ambient Operating Temperature		0		70	°C
Soldering Temperature	Max of 10 seconds			260	°C
Storage temperature		-65		150	°C
DC CHARACTERISTICS (VDD = 5.0V unless noted)					
Operating Voltage, VDD		4.75		5.25	V
Input High Voltage, VIH, X1 pin only		3.5	2.5		V
Input Low Voltage, VIL, X1 pin only			2.5	1.5	V
Input High Voltage, VIH	ACS1, ACS0	VDD-0.5			V
Input High Voltage, VIH	INMUXSEL	2			V
Input Low Voltage, VIL				0.8	V
Output High Voltage, VOH	IOH=-25mA	2.4			V
Output Low Voltage, VOL	IOL=25mA			0.4	V
Output High Voltage, VOH, CMOS level	IOH=-8mA	VDD-0.4			V
Operating Supply Current, IDD	No Load, note 2		45		mA
Pull-up Resistor value	pin 11 only		250k		
Input Capacitance			7		pF
Frequency synthesis error	All clocks as shown		0	1	ppm
VIN, VCXO control voltage		0		3	V
AC CHARACTERISTICS (VDD = 5.0V unless noted)					
Input Crystal Frequency			13.50000		MHz
Input Crystal Accuracy				±30	ppm
Output Clock Rise Time	0.8 to 2.0V			1.5	ns
Output Clock Fall Time	2.0 to 0.8V			1.5	ns
Output Clock Duty Cycle	At 1.4V	40		60	%
Maximum Absolute Jitter, short term			300		ps
27 MHz output pullability, note 3	0V < VIN < 3V'	±100			ppm

Notes: 1. Stresses beyond those listed under Absolute Maximum Ratings could cause permanent damage to the device. Prolonged exposure to levels above the operating limits but below the Absolute Maximums may affect device reliability.

2. With ACLK at 12.288 MHz.

3. With a recommended crystal.

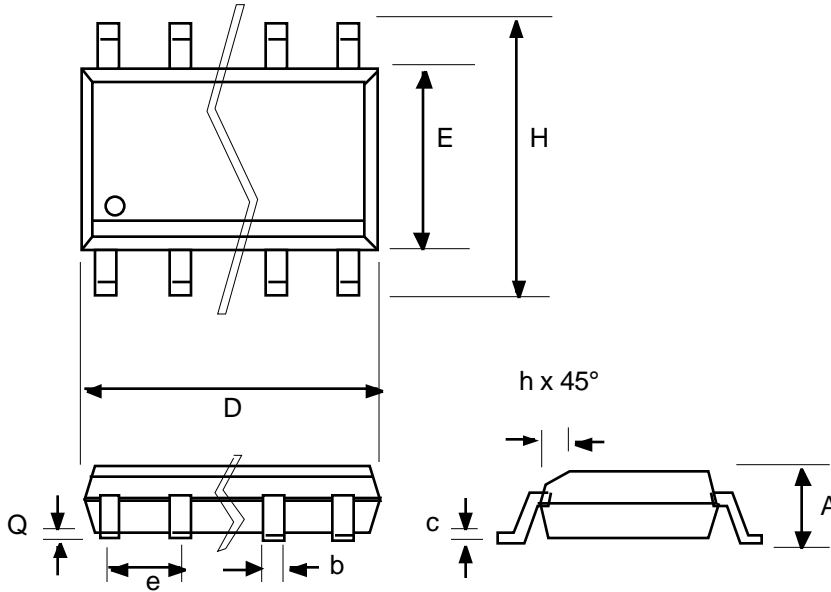
External Components/Crystal Selection

The MK2772-01 requires a minimum number of external components for proper operation. Decoupling capacitors of 0.1µF should be connected between VDD (pin 15) and GND (14), and between VDD (4) and GND (7), as close to the MK2772-01 as possible. A series termination resistor of 33 Ω may be used for each clock output. The input crystal must be connected as close to the chip as possible.

For the VCXO to operate correctly, a crystal properly specified and matched to the MK2772-01 must be used. For more information, including a list of recommended crystals, refer to application note MAN05.

Package Outline and Package Dimensions

20 pin SOIC



Symbol	Inches		Millimeters	
	Min	Max	Min	Max
A	0.092	0.104	2.3368	2.6416
b	0.014	0.019	0.356	0.483
c	0.009	0.012	0.229	0.305
D	0.490	0.512	12.446	13.005
E	0.290	0.300	7.366	7.620
H	0.394	0.419	10.008	10.643
e	.050 BSC		1.27 BSC	
h		0.016		0.406
Q	0.003	0.011	0.076	0.279

Ordering Information

Part/Order Number	Marking	Shipping packaging	Package	Temperature
MK2772-01S	MK2772-01S	tubes	20 pin SOIC	0-70°C
MK2772-01STR	MK2772-01S	tape and reel	20 pin SOIC	0-70°C
MK2772-01SLF	MK2772-01SLF	tubes	20 pin SOIC	0-70°C
MK2772-01SLFTR	MK2772-01SLF	tape and reel	20 pin SOIC	0-70°C

While the information presented herein has been checked for both accuracy and reliability, ICS Incorporated assumes no responsibility for either its use or for the infringement of any patents or other rights of third parties, which would result from its use. No other circuits, patents, or licenses are implied. This product is intended for use in normal commercial applications. Any other applications such as those requiring extended temperature range, high reliability, or other extraordinary environmental requirements are not recommended without additional processing by ICS. ICS reserves the right to change any circuitry or specifications without notice. ICS does not authorize or warrant any ICS product for use in life support devices or critical medical instruments.

IMPORTANT NOTICE AND DISCLAIMER

RENESAS ELECTRONICS CORPORATION AND ITS SUBSIDIARIES (“RENESAS”) PROVIDES TECHNICAL SPECIFICATIONS AND RELIABILITY DATA (INCLUDING DATASHEETS), DESIGN RESOURCES (INCLUDING REFERENCE DESIGNS), APPLICATION OR OTHER DESIGN ADVICE, WEB TOOLS, SAFETY INFORMATION, AND OTHER RESOURCES “AS IS” AND WITH ALL FAULTS, AND DISCLAIMS ALL WARRANTIES, EXPRESS OR IMPLIED, INCLUDING, WITHOUT LIMITATION, ANY IMPLIED WARRANTIES OF MERCHANTABILITY, FITNESS FOR A PARTICULAR PURPOSE, OR NON-INFRINGEMENT OF THIRD-PARTY INTELLECTUAL PROPERTY RIGHTS.

These resources are intended for developers who are designing with Renesas products. You are solely responsible for (1) selecting the appropriate products for your application, (2) designing, validating, and testing your application, and (3) ensuring your application meets applicable standards, and any other safety, security, or other requirements. These resources are subject to change without notice. Renesas grants you permission to use these resources only to develop an application that uses Renesas products. Other reproduction or use of these resources is strictly prohibited. No license is granted to any other Renesas intellectual property or to any third-party intellectual property. Renesas disclaims responsibility for, and you will fully indemnify Renesas and its representatives against, any claims, damages, costs, losses, or liabilities arising from your use of these resources. Renesas' products are provided only subject to Renesas' Terms and Conditions of Sale or other applicable terms agreed to in writing. No use of any Renesas resources expands or otherwise alters any applicable warranties or warranty disclaimers for these products.

(Disclaimer Rev.1.01 Jan 2024)

Corporate Headquarters

TOYOSU FORESIA, 3-2-24 Toyosu,
Koto-ku, Tokyo 135-0061, Japan
www.renesas.com

Trademarks

Renesas and the Renesas logo are trademarks of Renesas Electronics Corporation. All trademarks and registered trademarks are the property of their respective owners.

Contact Information

For further information on a product, technology, the most up-to-date version of a document, or your nearest sales office, please visit www.renesas.com/contact-us/.