

To our customers,

Old Company Name in Catalogs and Other Documents

On April 1st, 2010, NEC Electronics Corporation merged with Renesas Technology Corporation, and Renesas Electronics Corporation took over all the business of both companies. Therefore, although the old company name remains in this document, it is a valid Renesas Electronics document. We appreciate your understanding.

Renesas Electronics website: <http://www.renesas.com>

April 1st, 2010
Renesas Electronics Corporation

Issued by: Renesas Electronics Corporation (<http://www.renesas.com>)

Send any inquiries to <http://www.renesas.com/inquiry>.

Notice

1. All information included in this document is current as of the date this document is issued. Such information, however, is subject to change without any prior notice. Before purchasing or using any Renesas Electronics products listed herein, please confirm the latest product information with a Renesas Electronics sales office. Also, please pay regular and careful attention to additional and different information to be disclosed by Renesas Electronics such as that disclosed through our website.
2. Renesas Electronics does not assume any liability for infringement of patents, copyrights, or other intellectual property rights of third parties by or arising from the use of Renesas Electronics products or technical information described in this document. No license, express, implied or otherwise, is granted hereby under any patents, copyrights or other intellectual property rights of Renesas Electronics or others.
3. You should not alter, modify, copy, or otherwise misappropriate any Renesas Electronics product, whether in whole or in part.
4. Descriptions of circuits, software and other related information in this document are provided only to illustrate the operation of semiconductor products and application examples. You are fully responsible for the incorporation of these circuits, software, and information in the design of your equipment. Renesas Electronics assumes no responsibility for any losses incurred by you or third parties arising from the use of these circuits, software, or information.
5. When exporting the products or technology described in this document, you should comply with the applicable export control laws and regulations and follow the procedures required by such laws and regulations. You should not use Renesas Electronics products or the technology described in this document for any purpose relating to military applications or use by the military, including but not limited to the development of weapons of mass destruction. Renesas Electronics products and technology may not be used for or incorporated into any products or systems whose manufacture, use, or sale is prohibited under any applicable domestic or foreign laws or regulations.
6. Renesas Electronics has used reasonable care in preparing the information included in this document, but Renesas Electronics does not warrant that such information is error free. Renesas Electronics assumes no liability whatsoever for any damages incurred by you resulting from errors in or omissions from the information included herein.
7. Renesas Electronics products are classified according to the following three quality grades: “Standard”, “High Quality”, and “Specific”. The recommended applications for each Renesas Electronics product depends on the product’s quality grade, as indicated below. You must check the quality grade of each Renesas Electronics product before using it in a particular application. You may not use any Renesas Electronics product for any application categorized as “Specific” without the prior written consent of Renesas Electronics. Further, you may not use any Renesas Electronics product for any application for which it is not intended without the prior written consent of Renesas Electronics. Renesas Electronics shall not be in any way liable for any damages or losses incurred by you or third parties arising from the use of any Renesas Electronics product for an application categorized as “Specific” or for which the product is not intended where you have failed to obtain the prior written consent of Renesas Electronics. The quality grade of each Renesas Electronics product is “Standard” unless otherwise expressly specified in a Renesas Electronics data sheets or data books, etc.
 - “Standard”: Computers; office equipment; communications equipment; test and measurement equipment; audio and visual equipment; home electronic appliances; machine tools; personal electronic equipment; and industrial robots.
 - “High Quality”: Transportation equipment (automobiles, trains, ships, etc.); traffic control systems; anti-disaster systems; anti-crime systems; safety equipment; and medical equipment not specifically designed for life support.
 - “Specific”: Aircraft; aerospace equipment; submersible repeaters; nuclear reactor control systems; medical equipment or systems for life support (e.g. artificial life support devices or systems), surgical implantations, or healthcare intervention (e.g. excision, etc.), and any other applications or purposes that pose a direct threat to human life.
8. You should use the Renesas Electronics products described in this document within the range specified by Renesas Electronics, especially with respect to the maximum rating, operating supply voltage range, movement power voltage range, heat radiation characteristics, installation and other product characteristics. Renesas Electronics shall have no liability for malfunctions or damages arising out of the use of Renesas Electronics products beyond such specified ranges.
9. Although Renesas Electronics endeavors to improve the quality and reliability of its products, semiconductor products have specific characteristics such as the occurrence of failure at a certain rate and malfunctions under certain use conditions. Further, Renesas Electronics products are not subject to radiation resistance design. Please be sure to implement safety measures to guard them against the possibility of physical injury, and injury or damage caused by fire in the event of the failure of a Renesas Electronics product, such as safety design for hardware and software including but not limited to redundancy, fire control and malfunction prevention, appropriate treatment for aging degradation or any other appropriate measures. Because the evaluation of microcomputer software alone is very difficult, please evaluate the safety of the final products or system manufactured by you.
10. Please contact a Renesas Electronics sales office for details as to environmental matters such as the environmental compatibility of each Renesas Electronics product. Please use Renesas Electronics products in compliance with all applicable laws and regulations that regulate the inclusion or use of controlled substances, including without limitation, the EU RoHS Directive. Renesas Electronics assumes no liability for damages or losses occurring as a result of your noncompliance with applicable laws and regulations.
11. This document may not be reproduced or duplicated, in any form, in whole or in part, without prior written consent of Renesas Electronics.
12. Please contact a Renesas Electronics sales office if you have any questions regarding the information contained in this document or Renesas Electronics products, or if you have any other inquiries.

(Note 1) “Renesas Electronics” as used in this document means Renesas Electronics Corporation and also includes its majority-owned subsidiaries.

(Note 2) “Renesas Electronics product(s)” means any product developed or manufactured by or for Renesas Electronics.

1 Overview

1.1 Overview

The M66596 is a USB (Universal Serial Bus) Rev. 2.0 host and peripheral controller that supports USB Hi-Speed and Full-Speed transfers. This controller has a built-in USB transceiver and supports all of the transfer types defined by the USB specification. M66596 has a compact package and is pin compatible with the peripheral controller M66592.

The M66596 has a 5 kB built-in buffer memory for data transfers and enables use of up to eight pipes. For pipes 1 to 7, any endpoint numbers can be assigned, based on the user's system. The controller can be connected to the CPU using either a separate bus or a multiplex bus. Moreover, a split bus interface (dedicated external DMA interface) is provided independent of the CPU bus interface, making this an ideal choice for systems that require transfer of large volumes of data at high speed.

1.2 Features

1.2.1 Built in USB Hi-Speed host and peripheral controller

- USB Hi-Speed host and peripheral controllers are built in 1 chip.
- Both Hi-Speed transfer (480Mbps) and Full-Speed transfer (12Mbps) are supported
- It is possible to change host or peripheral mode by register setup.
- Built-in Hi-Speed / Full-Speed USB transceiver

1.2.2 Reduced power consumption

- 1.5 V core power supply, and selectable bus interface power supply 3.3V or 1.8V.
- Low power consumption makes this ideal for mobile devices
- Low-power mode (power-saving sleep state) supported to reduce power consumption during suspended operation

1.2.3 Small package

- Compact 64-pin package used
- Pin compatible with Renesas Technology Hi-Speed peripheral controller M66596.
- Few external elements are used, so less space is required for mounting
 - VBUS signal can be connected directly to the controller pin
 - Built-in D+ pull-up resistor(Peripheral mode)
 - Built-in D+ and D- pull-down resistor(Host mode)
 - Built-in D+ and D- terminating resistors (for Hi-Speed operation)
 - Built-in D+ and D- output resistors (for Full-Speed operation)

1.2.4 Isochronous transfer supported

All types of USB transfers supported

- Control transfers
- Bulk transfers
- Interrupt transfers (High-Bandwidth transfers are not supported)
- Isochronous transfers (High-Bandwidth transfers are not supported)

1.2.5 Bus interfaces

- The user can select either a 1.8 V or 3.3 V bus interface power supply
- 16-bit CPU bus interface
 - 16-bit separate bus and 16-bit multiplex bus supported
 - 8 and 16-bit DMA interface (slave function) supported
- 8-bit split bus (dedicated external DMA interface) supported
- Built-in two DMA interface channels
- DMA transfer enables high-speed access of 40 MB/sec.

1.2.6 Pipe configuration

- Built-in 5 KB buffer memory for USB communication
- Up to 8 pipes(endpoints) can be selected (including the default control pipe for endpoint 0)
- Programmable pipe configuration
- End point numbers can be assigned to pipe 1-7.
- Transfer conditions that can be set for each pipes
 - Pipe 0: Control transfer, continuous transfer mode, 256-byte fixed single buffer
 - Pipe 1 and 2: Bulk transfer or isochronous transfer, continuous transfer mode, programmable buffer size (up to 2 KB; double buffer can be selected)
 - Pipe 3 to 5: Bulk transfer, continuous transfer mode, programmable buffer size (up to 2 KB; double buffer can be selected)
 - Pipe 6 and 7: Interrupt transfer, 64-byte fixed single buffer

1.2.7 Feature in host mode

- Capable of USB Hi-Speed transfer to one peripheral device.
- Automatic schedule to send SOF and transaction.
- Automatic schedule interval of isochronous transfer and interrupt transfer.

1.2.8 Feature in peripheral mode

- Control transfer stage control function
- Device state control function
- Auto response function for SET_ADDRESS request
- NAK response assignment function (NRDY)

1.2.9 Other functions

- Automatic recognition of Hi-Speed operation or Full-Speed operation based on automatic response to the reset handshake
- Byte endian swap function when using 16-bit data transfers
- Transfer termination function when using transaction count function.
- DMA transfer termination function using external trigger (DEND pin)
- SOF interpolation function
- SOF pulse output function
- Three types of input clocks can be built into the PLL and are available for selection
 - Input clocks of 48 MHz / 24 MHz / 12 MHz can be selected
- Zero-Length packet addition function (DEZPM) when ending DMA transfers using the DEND pin
- BRDY interrupt event notification timing change function (BFRE)
- Function that automatically clears the buffer memory after the data for the pipe specified at the DxFIFO port has been read (DCLRM)
- Function to automatically supply a clock from the low-power sleep state (ATCKM)
- NAK setting function for response PID generated by end of transfer (SHTNAK)

1.2.10 Applications

PDA, DVD recorder, Set top box, Digital TV, Printer, USB audio device, Digital video camera, Digital still camera, external storage device, and Hi-Speed USB devices

1.3 Pin layout diagram

Figure 1.1 and Figure 1.2 show the pin layout diagram (top view) of the controller.

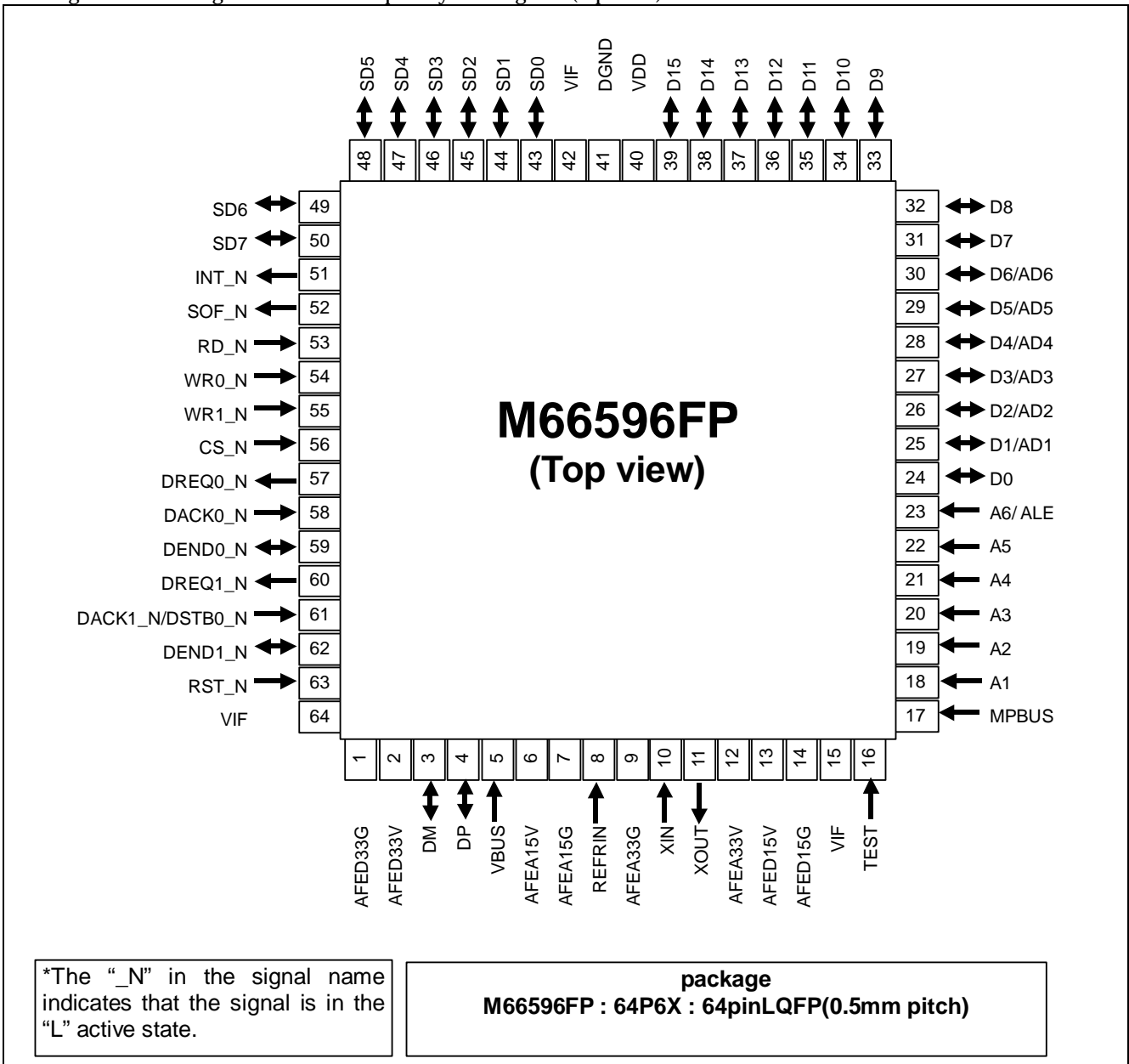


Figure 1.1 Pin layout diagram of M66596FP

M66596WG(TOP VIEW)

8	SD6	SD4	SD2	DGND	VDD	D13	D10	D9
7	SD7	SD5	SD3	VIF	D15	D12	D8	D7
6	RD_N	SOF_N	INT_N	SD0	D14	D11	D6/AD6	D5/AD5
5	CS_N	WR1_N	WR0_N	SD1	D2/AD2	D1/AD1	D4/AD4	D3/AD3
4	DEND0_N	DREQ1_N	DREQ0_N	DACK0_N	A5	A2	A6/ALE	D0
3	DACK1_N /DSTB0_N	VIF	DEND1_N	AFEA15V	AFEA33G	AFEA33V	A3	A4
2	RST_N	AFED33V	VBUS	AFEA15G	XOUT	AFED15G	TEST	A1
1	AFED33G	DM	DP	REFRIN	XIN	AFED15V	VIF	MPBUS
	A	B	C	D	E	F	G	H

*The “_N” in the signal name indicates that the signal is in the “L” active state.

Package

M66596WG : 64FHX : 64pin FBGA (0.8mm pitch)

Figure 1.2 Pin layout diagram of M66956WG

1.4 Description of pins

Table 1.1 describes the controller pins. Table 1.2 describes the not used pins.

Table 1.1 Pin descriptions

Category	Pin name	Name	I/O	Function	Pin count (Pin no.s.)	State of pin *7)		
						RST_ N="L"	RST_ N goes "H"	PCUT =1
CPU bus interface	D15-0	Data Bus	I/O	This is a 16-bit data bus.	16 (24-39)	*4)	*4)	Input (Hi-z)
	AD6-1	Multiplex Address Bus	I/O	When a multiplex bus is specified, this group of pins is used on a time-shared basis for some of the data buses (D6-D1), or for 6 bits of the address bus (A6-A1).				
	A6-1	Address Bus	IN	This is a 6-bit address bus. Because the data bus consists of 16 bits, there is no A0.	6 (18-23)	Input *5)	Input *5)	Input (Hi-z)
	ALE	Address Latch Enable	IN	When a multiplex bus is specified, the A6 pin is used as the ALE signal.		Input	Input	Input
	CS_N	Chip Select	IN	Setting this to the "L" level selects this controller.	1 (56)	Input *6)	Input *6)	Input
	RD_N	Read Strobe	IN	Setting this to the "L" level reads data from the controller registers.	1 (53)	Input	Input	Input
	WR0_N	D7-0 Byte Write Strobe	IN	At the rising edge, D7-D0 are written to the registers of the controller.	1 (54)	Input *6)	Input *6)	Input
	WR1_N	D15-8 Byte Write Strobe	IN	At the rising edge, D15-D8 are written to the registers of the controller.	1 (55)	Input *6)	Input *6)	Input
	MPBUS	Bus Mode Selection	IN	Setting this to the "L" level selects a separate bus. Setting this to the "H" level selects a multiplex bus. This should be fixed at either the "H" or "L" level.	1 (17)	Input *3)	Input *3)	Input *3)
Split bus interface	SD7-0	Split Data Bus	I/O	If a split bus is selected, this functions as the data bus for the split bus.	8 (43-50)	Input (Hi-z)	Input (Hi-z)	Input (Hi-z)
DMA bus interface	DREQ0_N*1) DREQ1_N*1)	DMA Request	OUT	This notifies the system of a D0FIFO port or D1FIFO port DMA transfer request.	2 (57, 60)	H	H	H/L *8)
	DACK0_N*1) DACK1_N*1)	DMA Acknowledge	IN	Input the DMA Acknowledge signal for the D0FIFO or D1FIFO port.	2 (58, 61)	Input	Input	Input
	DSTB0_N*2)	Data Strobe 0	IN	This functions as the data strobe signal for the D0FIFO port. Because it is also used for the DMA Acknowledge signal of the D1FIFO port, the DSTB0_N function cannot be used if the DACK1_N function is being used.				
	DEND0_N*1) DEND1_N*1)	DMA Transfer End	I/O	<In the FIFO port access writing direction> This receives the Transfer End signal from another peripheral chip or the CPU as an input signal. <In the FIFO port access reading direction> This indicates the transfer end data as an output signal.	2 (59, 62)	Input (Hi-z)	Input (Hi-z)	Input (Hi-z)
Interrupt/ SOF output	INT_N	Interrupt	OUT	In the "L" active state, this notifies the system of various types of interrupts relating to USB communication.	1 (51)	H	H	H

Category	Pin name	Name	I/O	Function	Pin count (Pin no.s.)	State of pin *7)		
						RST_ N="L"	RST_ N goes "H"	PCUT =1
	SOF_N	SOF pulse output	OUT	When an SOF is detected in the "L" active state, an SOF pulse is output.	1 (52)	H	H	H
Clock	XIN	Oscillation input	IN	A crystal oscillator should be connected between XIN and XOUT. When using external clock input, the external clock signal should be connected to XIN, and XOUT should be open.	1 (10)			
	XOUT	Oscillation output	OUT		1 (11)			
System control	RST_N	Reset signal	IN	At "L" level, the controller is initialized.	1 (63)	Input (L)	Input (H)	Input (H)
	TEST	Test signal	IN	This should be fixed at "L" or open.	1 (16)			
USB bus interface	DP	USB D+ data	I/O	This should be connected to the D+ pin of the USB bus.	1 (4)	Input (Hi-z)	Input (Hi-z)	Input (Hi-z)
	DM	USB D- data	I/O	This should be connected to the D- pin of the USB bus.	1 (3)	Input (Hi-z)	Input (Hi-z)	Input (Hi-z)
VBUS monitor input	VBUS	VBUS input	IN	This should be connected directly to the Vbus of the USB bus. The connected or disconnected state of the Vbus can be detected. If this pin is not connected with Vbus of a USB bus, connect 5V. And in case of a host controller, please fix to 5V too. *This pin can't supply vbus.	1 (5)	Input (Hi-z)	Input (Hi-z)	Input (Hi-z)
Reference resistance	REFRIN	Reference input	IN	This should be connected to AFEA33G through a 5.6 kOhm $\pm 1\%$ resistance.	1 (8)			
Power supply / GND	AFEA33V	Transceiver unit analog power supply	-	This should be connected to 3.3 V.	1 (12)			
	AFEA33G	Transceiver unit analog GND	-		1 (9)			
	AFED33V	Transceiver unit digital power supply	-	This should be connected to 3.3 V.	1 (2)			
	AFED33G	Transceiver unit digital GND	-		1 (1)			
	AFEA15V	Transceiver unit analog 1.5 V power supply	-	This should be connected to 1.5 V.	1 (6)			
	AFEA15G	Transceiver unit analog GND	-		1 (7)			
	AFED15V	Transceiver unit digital 1.5 V power supply	-	This should be connected to 1.5 V.	1 (13)			
	AFED15G	Transceiver unit digital GND	-		1 (14)			
	VDD	Core power supply	-	This should be connected to 1.5 V.	1 (40)			
	VIF	IO power supply	-	This should be connected to 3.3 V or 1.8 V.	3 (15, 42, 64)			
	DGND	Digital GND	-		1 (41)			

- *1) The "L" active and "H" active states of these pins can be selected using the control program for the user system. "_N" indicates that the "L" active state is the default state.
- *2) DSTB0_N and DACK1_N are assigned to the same pin, so the functions of one or the other are valid.
- *3) The input level of the MPBUS pin needs to be established just before the end of H/W reset. Also, this should not be switched during operation.
- *4) When CS_N and RD_N are "L", These pins output "H" or "L".
- *5) If MPBUS is "H", these pins can be made to open.
- *6) CS_N, WR0_N, and WR1_N should be kept as (a) or (b) during RST_N="L" (from RST_N goes "L" to right after RST_N goes "H").
 - (a) CS_N="H"
 - (b) WR0_N="H" and WR1_N="H"
- *7) Description of "State of pin"
 - (a) Input : Pins are Hi-z state. Please do not make it "open" on a board.
 - (b) Input(Hi-z) : Pins are Hi-z state. Pins can be "open" on a board.
 - (c) H, L, H/L : Output states is shown.
- *8) These pins are in an inactive state.

Table 1.2 The example of not used pins

Category	Pin name	Description
SPLIT bus interface	SD7-0	"Open"
DMA bus interface	DREQ0_N	"Open"
	DREQ1_N	"Open"
	DACK0_N	Fix to "H"*1)
	DACK1_N/DSTB0_N	Fix to "H"*1)
	DEND0_N	"Open" *2)
	DEND1_N	"Open" *2)
SOF output	SOF_N	"Open"
System control	TEST	Fix to "L" or "Open"
VBUS monitor input	VBUS	Fix to 5V *3)

- *1) When DACKn_N pin is not used, please set DACKA bit of DMAAnCFG register as "0" (n=0,1).
- *2) When DENDx_N pin is not used, please set DENDA bit of DMAAnCFG register as "0" (n=0,1).
- *3) If this pin is not connected with Vbus of a USB bus, fix to 5V.

1.5 Pin function configuration

Figure 1.3 shows a diagram of the pin function configuration of the controller.

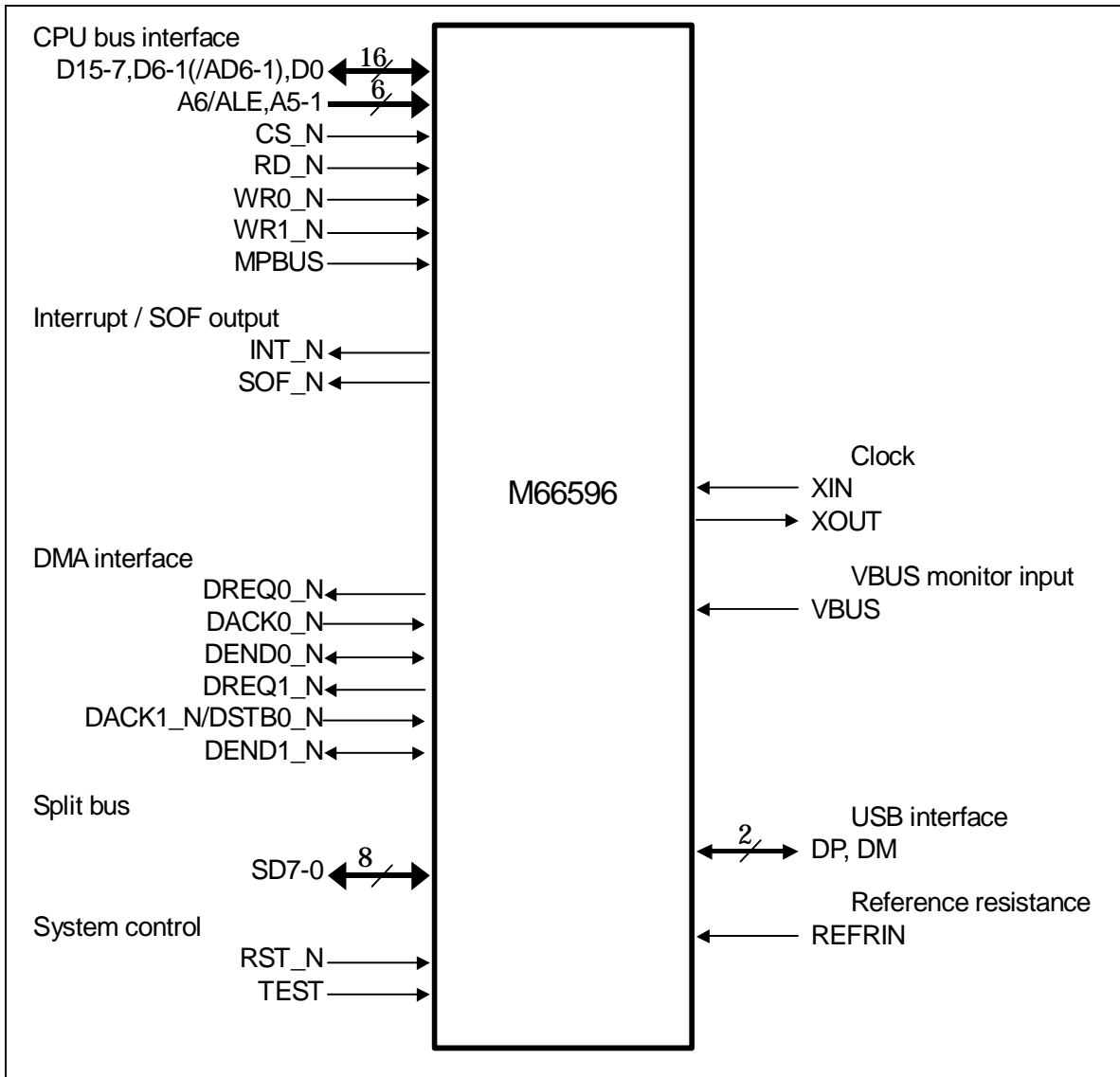


Figure 1.3 Pin function configuration diagram

1.6 Block diagram

The controller consists of an analog front end unit (AFE), a protocol engine unit (Prctl_Eng) that includes an SIE, a pipe control unit (Pipe_Ctrl), a transaction schedule control unit (Schedule_Ctrl), a FIFO port unit (FIFO_Port), a buffer memory unit (Buf_Mem), an interrupt control unit (Int_Ctrl), a bus interface unit (BIU), and a CPU interface register unit (CPU_IF_Reg). Figure 1.4 shows a block diagram of the controller.

When data is being sent and received between M66596 and a USB peripheral(or host) controller connected on the USB bus, a buffer memory assigned to each of the pipes is used. Two-way communication is possible by the controller changing data stored in the buffer memory into USB data packets and outputting them to the USB bus using serial output, and by inputting data packets on the USB bus which are then stored in the buffer memory.

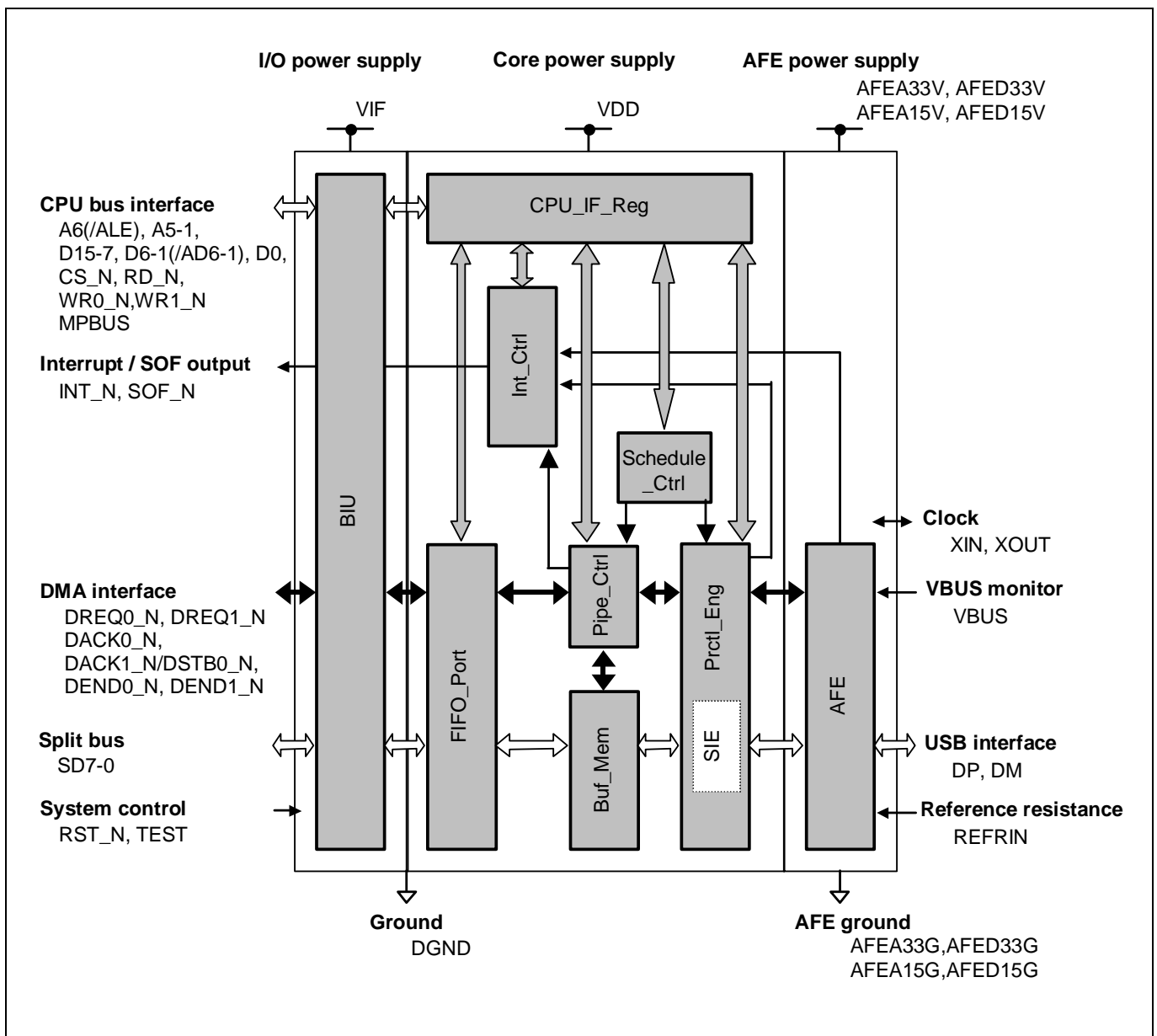


Figure 1.4 Block diagram

1.7 An overview of functions

1.7.1 The function selection

The controller can change a host function and a peripheral function by register setup.

When which of the Host function and the Peripheral function is chosen, hardware recognizes Hi-Speed or Full-Speed automatically.

1.7.2 Bus interfaces

The controller supports the bus interfaces noted below.

1.7.2.1 External bus interface

The controller uses a CPU bus interface to access control registers.

The bus interface with the CPU supports the two access methods noted below. The Chip Select pin (CS_N) and the three strobe pins (RD_N, WR0_N and WR1_N) should be used for access.

(1) 16-bit separate bus

The six address buses (A6-1) and the 16 data buses (D15-0) are used.

(2) 16-bit multiplex bus

The ALE pin (ALE) and the 16 data buses (D15-0) are used. The data buses are used for addresses and data on a time-shared basis.

The separate bus and multiplex bus are selected based on the MPBUS pin signal level when the H/W reset is canceled.

1.7.2.2 Accessing the buffer memory

The controller supports the two methods described below to access the USB data transfer buffer memory.

(1) CPU access

Addresses and control signals should be used to write data to the buffer memory or read it from the buffer memory.

(2) DMA access

Data should be written to the buffer memory of the controller, or read from the buffer memory, from the DMAC in the CPU or a dedicated DMAC.

USB data communication is done using Little Endian. There is a byte Endian swap function for FIFO port access, and when using 16-bit access, the Endian can be switched using the register settings.

1.7.2.3 DMA access methods

When using DMA access to access the buffer memory, the two access methods noted below can be selected.

(1) Method using a bus shared with the CPU

(2) Method using a dedicated bus (split bus)

1.7.3 USB events

The controller notifies the user's system of USB operation events by means of interrupts. Moreover, with a pipe for which the DMA interface has been selected, the system is notified that the buffer memory of the controller can be accessed by asserting the DREQ signal.

There are 12 types of interrupts and 39 causes for interrupts being generated. The user can select whether or not interrupt notification is permitted for each type and each cause, using settings in the control program for the user system.

1.7.4 USB data transfers

The controller is capable of all types of transfers: USB communication control transfers, bulk transfers, and interrupt transfers, as well as isochronous data transfers. The pipes noted below can be used with data transfers for various types of communication.

- (1) Dedicated control transfer pipe(Default Control Pipe(DCP))
- (2) Two dedicated interrupt transfer pipes(Pipe6,7)
- (3) Three dedicated bulk transfer pipes(Pipe3, 4, 5)
- (4) Two pipes for which bulk transfers or isochronous transfers can be selected(Pipe1, 2)

The settings necessary for USB transfers, such as the transfer type, end point number, and maximum packet size, should be set for each pipe, in conjunction with the user system.

Also, the controller has a built-in 5 kB buffer memory. For a dedicated bulk transfer pipe and the pipes for which bulk transfers or isochronous transfers can be selected, settings such as the buffer memory assignment and buffer operation mode which are based on the user system should be entered. The buffer operation mode setting can be set to enable high-speed data transfers with few interrupts, using the double-buffer configuration and data packet continuous transfer function.

Access to the buffer memory from the control CPU of the user's system and the DMA controller is done through the three FIFO port registers.

1.7.5 DMA interface

The DMA (Direct Memory Access) interface consists of data transfers between the user system and the controller using the DxFIFO port, and is a type of data transfer in which the CPU is not involved. The controller is equipped with a 2-channel DMA interface and has the following functions.

- (1) A transfer end notification function using the Transfer End signal (DEND signal)
- (2) An auto-clear function activated when a Zero-Length packet is received
- (3) A "send addition" function used to send a Zero-Length packet based on input of the Transfer End signal (DEND signal)
- (4) A transfer end function using a transaction counter function

The controller supports the two types of DMA interfaces noted below.

- (5) Cycle steal transfer
With this type of transfer, the DREQ pin is repeatedly asserted and negated each time a data transfer (1 byte / 1 word) is carried out.
- (6) Burst transfer
With this type of transfer, the DREQ pin remains asserted for the pipe buffer area assigned to the pertinent FIFO port, or until the transfer is ended by the DEND signal, without ever being negated.

Also, the following can be selected as the DMA interface handshake signal (pin): CS_N, RD_N, or WR_N, or DACK_N. With DMA transfers using a split bus, high-speed DMA transfers are possible by changing the data setup timing, by operating the **OBUS** bit of the **DMAXCFG** register.

1.7.6 SOF pulse output function

An SOF pulse output function is provided that notifies the system of the timing at which SOF packets are transmitted or received.

In the Host mode, when the controller transmits a SOF packet, the controller outputs pulses to an SOF_N pin.

In the Peripheral mode, when the controller receives SOF packet, the controller outputs pulse. And the controller outputs pulses at fairly regular intervals, using an SOF interpolation timer, even if an SOF packet is damaged. In the Peripheral mode, it is also possible to output the pulse only when an SOF packet is damaged.

1.7.7 External elements integration

The controller has the following external elements built into it. Also, because the VBUS pin can withstand 5 V, the user system can input the VBUS signal directly to the controller.

(1) Resistors necessary for D+ and D- line control

Resistance of D+ and D-line is built in.

- D+ pull up-resistor(Peripheral mode)
- D+, D- pull-down resistor(Host mode)
- D+, D- terminating resistors (for Hi-Speed operation)
- D+, D- output resistors (for Full-Speed operation)

(2) 48 MHz and 480 MHz PLL

One of three external clocks (12 MHz / 24 MHz / 48 MHz) can be selected and Hi-Speed and Full-Speed operation carried out.

1.7.8 Low-power sleep state function

The controller is equipped with a low-power sleep state that reduces current consumption.

The low-power sleep state functions effectively under the following circumstances.

(1) When there is no host or peripheral controller connected

(2) When the device state is shifted to the suspended state, and USB data transfer is not necessary

The system is returned from the low-power sleep state to the normal operating state using a designated interrupt, or by dummy writing to the controller.

2 Registers

Reading the table of registers

- ① Bit no. Each register is connected to a 16-bit internal bus.
Odd-numbered addresses will use b15 to b8, and even-numbered addresses b7 to b0.

- ② Status after reset This indicates the default state of the register immediately after a reset operation, and after recovering from the low-power sleep state.
H/W Reset is the default state when an external reset signal has been input from the RST_N pin.
S/W Reset is the default state when the user system has carried out a bit operation using the USBE bit.
USB Reset is the default state when the controller has detected a USB bus reset.
Low-power Sleep is the default state when the controller has recovered from the low-power sleep state.
Items that require particular attention during a reset operation are noted under “Notes”.
“-“ indicates a state in which there is no operation by the controller, and the user setting is retained.
“?” indicates that a value is undecided.

- ④ S/W Access Condition This is the condition in effect if the software is accessing a register.
- ⑤ H/W Access Condition This is the condition in effect if the controller is accessing a register during any operation other than a reset.

R Read Only
 W Write Only
 R/W Read / Write
 R(0) "0"Read Only
 W(1) "1"Write Only

- ⑥ Note This is the number of detailed explanations and the number of notes.
- ⑦ Bit Name This indicates the bit symbol and bit name.
- ⑧ Function Description This describes active items and notes.

<Example of table notation>
Nothing is placed in shaded sections. These should be fixed at “0”.

① Bit number	→	15	14	13	12	11	10	9	8	7	6	5	4	3	2	1	0
Bit symbol	→	A bit	B bit	C bit													
② H/W reset	→	?	0	0	0												
S/W reset	→	?	0	0	-												
USB reset	→	?	0	-	-												
Low-power sleep state	→	?	0	0	0												

Bit	Name	Function	S/W	H/W	Note
15	Nothing is placed here. It should be fixed at “0”.				
14	A bit AAA enabled	0 : Operation disabled 1 : Operation enabled	R/W	R	2.3.1 *1
13	B bit BBB operation	0 : "L"output 1 : "H"output	R	W	2.3.2 *1
12	C bit CCC control	0 : 1 :	R(0)/ W(1)	R	2.3.2
	⑦	⑧	④	⑤	⑥

<<Note>>

*1) If the A bit and B bit are being accessed in succession for writing, an access cycle of 300 ns is necessary.

2.1 Table of registers

Table 2.1 shows the controller registers.

Table 2.1 Registers

Address	Symbol	Name	Index
00	SYSCFG	System configuration control register	2.3
02	SYSSTS	System configuration status register	2.3
04	DVSTCTR	Device state control register	2.4
06	TESTMODE	Test mode register	2.4
08			
0A	PINCFG	Data pin configuration register	2.5
0C	DMA0CFG	DMA0 pin configuration register	2.5
0E	DMA1CFG	DMA1 pin configuration register	2.5
10	CFIFO	CFIFO port register	2.6
12			
14	D0FIFO	D0FIFO port register	2.6
16			
18	D1FIFO	D1FIFO port register	2.6
1A			
1C			
1E	CFIFOSEL	CFIFO port selection register	2.6
20	CFIFOCTR	CFIFO port control register	2.6
22	CFIFOSIE	CFIFO port SIE register	2.6
24	D0FIFOSEL	D0FIFO port selection register	2.6
26	D0FIFOCTR	D0FIFO port control register	2.6
28	D0FIFOTRN	D0 transaction counter register	2.6
2A	D1FIFOSEL	D1FIFO port selection register	2.6
2C	D1FIFOCTR	D1FIFO port control register	2.6
2E	D1FIFOTRN	D1 transaction counter register	2.6
30	INTENB0	Interrupt enable register 0	2.7
32	INTENB1	Interrupt enable register 1	2.7
34			
36	BRDYENB	BRDY interrupt enable register	2.7
38	NRDYENB	NRDY interrupt enable register	2.7
3A	BEMPENB	BEMP interrupt enable register	2.7
3C	SOFCFG	SOF pin configuration register	2.8
3E			
40	INTSTS0	Interrupt status register 0	2.9
42	INTSTS1	Interrupt status register 1	2.9
44			
46	BRDYSTS	BRDY interrupt status register	2.9
48	NRDYSTS	NRDY interrupt status register	2.9
4A	BEMPSTS	BEMP interrupt status register	2.9
4C	FRMNUM	Frame number register	2.10
4E	UFRMNUM	Micro frame number register	2.10
50	RECOVER	USB address / low-power status recovery register	2.11
52			
54	USBREQ	USB request type register	2.12
56	USBVAL	USB request value register	2.12
58	USBINDX	USB request index register	2.12
5A	USBLENG	USB request length register	2.12

Address	Symbol	Name	Index
5C	DCPCFG	DCP configuration register	2.13
5E	DCPMAXP	DCP maximum packet size register	2.13
60	DCPCTR	DCP control register	2.13
62			
64	PIPESEL	Pipe window selection register	2.14
66	PIPECFG	Pipe configuration register	2.14
6E	PIPEBUF	Pipe buffer setting register	2.14
6A	PIPEMAXP	Pipe maximum packet size register	2.14
6C	PIPEPERI	Pipe period control register	2.14
6E			
70	PIPE1CTR	Pipe 1 control register	2.14
72	PIPE2CTR	Pipe 2 control register	2.14
74	PIPE3CTR	Pipe 3 control register	2.14
76	PIPE4CTR	Pipe 4 control register	2.14
78	PIPE5CTR	Pipe 5 control register	2.14
7A	PIPE6CTR	Pipe 6 control register	2.14
7C	PIPE7CTR	Pipe 7 control register	2.14
7E			

Nothing is placed in addresses that are shaded. These addresses should not be accessed.

2.2 Table of bit symbols

Table 2.2 shows the controller bit symbols.

Table 2.2 Bit symbols

Addr	Register name	Odd-numbered addresses								Even-numbered addresses							
		15	14	13	12	11	10	9	8	7	6	5	4	3	2	1	0
00	SYSCFG	XTAL		XCKE	RCKE	PLLC	SCKE		ATCKM	HSE	DCFM	DMRPD	DPRPU		FSRPC	PCUT	USBE
02	SYSSTS																LNST
04	DVSTCTR								WKUP	RWUPE	USBRST	RESUME	UACT				RHST
06	TESTMODE																UTST
08																	
0A	PINCFG	LDRV							BIGEND								
0C	DMA0CFG		DREQA	BURST			DACKA		DFORM		DENDA	PKTM	DENDE		OBUS		
0E	DMA1CFG		DREQA	BURST			DACKA		DFORM		DENDA	PKTM	DENDE		OBUS		
10	CFIFO	CFPORT															
12																	
14	D0FIFO	D0FPORT															
16																	
18	D1FIFO	D1FPORT															
1A																	
1C																	
1E	CFIFOSEL	RCNT	REW				MBW					ISEL					CURPIPE
20	CFIFOCTR	BVAL	BCLR	FRDY													DTLN
22	CFIFOSIE	TGL	SCLR	SBUSY													
24	D0FIFOSEL	RCNT	REW	DCLRM	DREQE		MBW	TRENB	TRCLR	DEZPM							CURPIPE
26	D0FIFOCTR	BVAL	BCLR	FRDY													DTLN
28	D0FIFOTRN	TRNCNT															
2A	D1FIFOSEL	RCNT	REW	DCLRM	DREQE		MBW	TRENB	TRCLR	DEZPM							CURPIPE
2C	D1FIFOCTR	BVAL	BCLR	FRDY													DTLN
2E	D1FIFOTRN	TRNCNT															
30	INTENB0	VBSE	RSME	SOFE	DVSE	CTRE	BEMPE	NRDYE	BRDYE	URST	SADR	SCFG	SUSP	WDST	RDST	CMPL	SERR
32	INTENB1		BCHGE		DTCHE							SIGNE	SACKE		BRDYM	INTL	PCSE
34																	
36	BRDYENB																PIPEBRDY
38	NRDYENB																PIPENRDY
3A	BEMPENB																PIPEBEMPE
3C	SOFCFG														SOFM		
3E																	
40	INTSTS0	VBINT	RESM	SOFR	DVST	CTRT	BEMP	NRDY	BRDY	VBSTS		DVSQ		VALID		CTSQ	
42	INTSTS1		BCHG	SOFR	DTCH		BEMP	NRDY	BRDY			SIGN	SACK				
44																	
46	BRDYSTS																PIPEBRDY
48	NRDYSTS																PIPENRDY
4A	BEMPSTS																PIPEBEMP
4C	FRMNUM	OVRN	CRCE			SOFRM											FRNM
4E	UFRMNUM																UFRNM
50	RECOVER									STSRECOV							USBADDR
52																	
54	USBREQ	bRequest								bmRequestType							
56	USBVAL	wValue															
58	USBINDX	wIndex															
5A	USBLENG	wLength															
5C	DCPCFG								CNTMD					DIR			
5E	DCPMAXP	DEVSEL															MXPS

Addr	Register name	Odd-numbered addresses								Even-numbered addresses							
		15	14	13	12	11	10	9	8	7	6	5	4	3	2	1	0
60	DCPCTR	BSTS	SUREQ						SQCLR	SQSET	SQMON				CCPL	PID	
62																	
64	PIPESEL																PIPESEL
66	PIPECFG	TYPE					BFRE	DBLB	CNTMD	SHTNAK			DIR	EPNUM			
68	PIPEBUF		BUFSIZE								BUFNMB						
6A	PIPEMAXP	DEVSEL						MXPS									
6C	PIPEPERI				IFIS												IITV
6E																	
70	PIPE1CTR	BSTS	INBUFM					ACLRM	SQCLR	SQSET	SQMON						PID
72	PIPE2CTR	BSTS	INBUFM					ACLRM	SQCLR	SQSET	SQMON						PID
74	PIPE3CTR	BSTS	INBUFM					ACLRM	SQCLR	SQSET	SQMON						PID
76	PIPE4CTR	BSTS	INBUFM					ACLRM	SQCLR	SQSET	SQMON						PID
78	PIPE5CTR	BSTS	INBUFM					ACLRM	SQCLR	SQSET	SQMON						PID
7A	PIPE6CTR	BSTS						ACLRM	SQCLR	SQSET	SQMON						PID
7C	PIPE7CTR	BSTS						ACLRM	SQCLR	SQSET	SQMON						PID
7E																	

2.3 System control

System configuration control register [SYSCFG]

<Address : 00H>

15	14	13	12	11	10	9	8	7	6	5	4	3	2	1	0
XTAL	XCKE	RCKE	PLL	SCKE		ATCKM	HSE	DCFM	DMRPD	DPRPU		FSRPC	PCUT	USBE	
0	0	0	0	0	0	?	0	0	0	0	0	?	0	0	0
-	-	-	-	-	-	?	-	-	-	-	-	?	-	-	-
-	-	-	-	-	-	?	-	-	-	-	-	?	-	-	-
-	-	1	0	0	0	?	-	-	-	-	-	?	-	0	-

Bit	Name	Function	S/W	H/W	Note
15-14	XTAL Clock selection	00: 12 MHz input 01: 24 MHz input 10: 48 MHz input 11: Reserved	R/W	R	3.1.6
13	XCKE Oscillation buffer enabled	0: Oscillation buffer operation disabled 1: Oscillation buffer operation enabled	R/W	R/W (1)	3.1.6 *2)
12	RCKE Reference clock enabled	0: Reference clock supply stopped 1: Reference clock supply enabled	R/W	R	3.1.6
11	PLL PLL operation enabled	0: PLL operation disabled 1: PLL operation enabled	R/W	R	3.1.6
10	SCKE Internal clock enabled	0: Internal clock supply stopped 1: Internal clock supply enabled	R/W	R	3.1.6
9	Nothing is placed here. It should be fixed at "0".				
8	ATCKM Auto clock supply function enabled	The clock is supplied from the low-power sleep state or clock stop state. 0: Auto clock supply function disabled 1: Auto clock supply function enabled	R/W	R	3.1.7
7	HSE Hi-Speed operation enabled	This enables Hi-Speed operation. 0: Hi-Speed operation disabled (Full-Speed) 1: Hi-Speed operation enabled (detected by controller)	R/W	R	2.3.1 3.1.4 *1)
6	DCFM	0: Peripheral Controller 1: Host Controller	R/W	R	2.3.1 *1)
5	DMRPD D+,D- line resistance control	For detailed information, refer to Chapter 2.3.4	R/W	R	2.3.4
4	DPRPU D+,D- line resistance control		R/W	R	2.3.4
3	Nothing is placed here. These should be fixed at "0".				
2	FSRPC Full-Speed receiver enable	0: Full-Speed receiver is controlled by H/W 1: Full-Speed receiver enabled by S/W	R/W	R	2.3.3
1	PCUT Low-power sleep state enabled	0: Normal operation state 1: Low-power sleep state	R/W (1)	R/W (0)	*1)
0	USBE USB block operation enabled	0: USB block operation disabled (S/W Reset) 1: USB block operation enabled	R/W	R	2.3.2 3.1.4

<< Notes >>

- *1) The Hi-Speed operation enabled (**HSE**) bit and Device Controller function (**DCFM**) should be set before the internal clock is supplied and .setup **DPRPU** and **DMRPD** bit.
- *2) When the system returns from the low-power sleep state to the normal operation state, the controller sets "XCKE = 1".

System configuration status register [SYSSTS]														<Address: 02H>	
15	14	13	12	11	10	9	8	7	6	5	4	3	2	1	0
?	?	?	?	?	?	?	?	?	?	?	?	?	?	LNST	?
?	?	?	?	?	?	?	?	?	?	?	?	?	?	?	?
?	?	?	?	?	?	?	?	?	?	?	?	?	?	?	?
?	?	?	?	?	?	?	?	?	?	?	?	?	?	?	?

Bit	Name	Function	S/W	H/W	Note
15-2	Nothing is placed here. These should be fixed at "0".				
1-0	LNST USB data line status	Please see the detailed explanation concerning this item.	R	W	2.3.3

<<Notes>>

None in particular

2.3.1 Selection of a function

The **HSE** and **DCFM** bit of the **SYSCFG** register should be used to select function of the controller. The controller function selection table is shown in Table 2.3.

Table 2.3 The controller function selection

HSE	DCFM	Speed	Function	Note
0	0	Full	Peripheral	Full-Speed communication only.
0	1	Full	Host	Full-Speed communication only.
1	0	Full / Hi	Peripheral	The communication speed is based on the result of RHSP.
1	1	Full / Hi	Host	The communication speed is based on the result of RHSP.

* RHSP : Reset Handshake Protocol

2.3.2 USB block operation enabled

The **USBE** bit of the **SYSCFG** register should be used to enable USB block operation.

The same bit can be used to carry out an S/W reset of the controller. When software is set to "USBE=0", the controller resets the register targeted for S/W reset initialization to the default setting value. As long as "USBE=0" is set, no data can be written by software to the bit targeted for S/W reset initialization. "USBE=1" should be set following an S/W reset to enable controller operation.

2.3.3 Line status monitor

Table 2.4 shows the USB data bus line statuses of the controller. The controller monitors the line status (D+ line and D- line) of the USB data bus using the **LNST** bit of the **SYSSTS** register. The **LNST** bit is configured of two bits. For the meaning of each of the bits, please refer to the table below.

The line status is checked with the Full-Speed receiver inside a M66596. This controller controls a Full-Speed receiver automatically when internal clock is supplied. If the **FSRPC** of the **SYSCFG** register is set up, it is enabled by setting the **FSRPC** of the **SYSCFG** register by S/W when internal clock is not supplied. After H/W reset, in checking the state of D+ and D- before supplying an internal clock, please set a **FSRPC** bit as 1. Once supplying an internal clock, it is not necessary to set up by S/W.

In the low-power sleep state, the line status cannot be monitored.

Table 2.4 USB data bus line statuses

LNST [1]	LNST [0]	During Full-Speed operation	During Hi-Speed operation	During chirp operation
0	0	SE0	Squelch	Squelch
0	1	J State	not Squelch	Chirp J
1	0	K State	Invalid	Chirp K
1	1	SE1	Invalid	Invalid

Chirp: The reset handshake protocol is being executed in the Hi-Speed operation enabled state (HSE = "1").

Squelch: SE0 or Idle state

not Squelch: Hi-Speed J state or Hi-Speed K state

Chirp J: Chirp J state

Chirp K: Chirp K state

2.3.4 USB data bus register control

A setup about resistance of a USB data bus is shown in Table 2.5. USB data bus line resistors are controlled by **DMRPD** and **DPRPU** bit of **SYSCFG** register.

Table 2.5 Resistance control of a USB data bus

DMRPD	DPRPU	D-	D+	note
0	0	Open	Open	
0	1	Open	Pull-Up	Peripheral Controller
1	0	Pull-Down	Pull-Down	Host Controller
1	1	Pull-Down	Pull-Up	

2.4 USB signal control

Device state control register [DVSTCTR]

<Address: 04H>

15	14	13	12	11	10	9	8	7	6	5	4	3	2	1	0
							WKUP	RWUPE	USBRST	RESUME	UACT	RHST			
?	?	?	?	?	?	?	0	0	0	0	0	?	?	0	0
?	?	?	?	?	?	?	0	0	01	0	0	?	?	0	0
?	?	?	?	?	?	?	0	-	0	0	0	?	?	-	-
?	?	?	?	?	?	?	0	0	0	0	0	?	?	0	0

Bit	Name	Function	S/W	H/W	Note
15-9	Nothing is placed here. These should be fixed at "0".				
8	WKUP Wakeup output (Peripheral mode)	0: Non-output 1: Remote wakeup signal output	R/W(1)	R/W(0)	2.4.1 *1), *2)
7	RWUPE Remote wakeup enable (Host mode)	0: Remote wakeup disabled 1: Remote wakeup enabled	R/W	R	2.4.1 *2), *3)
6	USBRST USB bus reset output (Host mode)	0: Non-output 1: USB bus reset output	R/W	R	2.4.1 *3)*3
5	RESUME Resume output (Host mode)	0: Non-output 1: Resume signal output	R/W	R/W(1)	2.4.1 *3)
4	UACT USB Communication enable	0: Disable 1: Enable	R/W	R	2.4.1 *3)
3-2	Nothing is placed here. These should be fixed at "0".				
1-0	RHST Reset handshake	00: Communication speed not decided 01: Reset handshake being processed 10: Full-Speed operation established 11: Hi-Speed operation established	R	W	2.4.2

<<Notes>>

- *1) "1" should never be written to the **WKUP** bit unless "Suspended" is set for the device state ("DVSQ = 1xx") and a remote wakeup from the USB host is enabled.
- *2) If the **WKUP** or **RWUPE** bit is set 1, don't stop Internal clock supply.
- *3) If the controller is in peripheral mode, set to "RWUPE=0, USBRST=0, RESUME=0, UACT=0".

Test mode register [TESTMODE]

<Address: 06H>

15	14	13	12	11	10	9	8	7	6	5	4	3	2	1	0
												UTST			
?	?	?	?	?	?	?	?	?	?	?	?	0	0	0	0
?	?	?	?	?	?	?	?	?	?	?	?	0	0	0	0
?	?	?	?	?	?	?	?	?	?	?	?	-	-	-	-
?	?	?	?	?	?	?	?	?	?	?	?	0	0	0	0

Bit	Name	Function	S/W	H/W	Note
15-4	Nothing is placed here. These should be fixed at "0".				
3-0	UTST Test mode	Please see the detailed explanation concerning this item.	R/W	R	2.4.3 *4)

<<Note>>

- *4) The **UTST** bit is valid only during Hi-Speed operation. Check to make sure the "RHST=11" before using it. H/W reset is required for after the test by UTST bit operation.

2.4.1 USB data bus control

Each bit of the **DVSTCTR** register can be used to control and confirm the state of the USB data bus based on the user system.

(a) Remote wakeup (Peripheral mode)

The **WKUP** bit handles control of remote wakeup signal output to the USB bus. The controller controls the output time for remote wakeup signals. 2ms after a software has set "1" for the **WKUP** bit, the M66596 outputs a 10 ms "K-State" then it transfers the bus state to idle. When the bus state is transferred to the idle state, the controller sets "WKUP=0".

According to the USB specification, USB idle state must be kept longer than 5ms. Thus if the software set "WKUP=1" right after detection of Suspend state, the controller will assert "K-State" after 2ms.

(b) Remote wakeup, Resume (Host mode)

A resume signal is output on a USB bus by setting a **RESUME** bit as 1.

Moreover, when the **RWUPE** bit is set as 1 and a remote wakeup signal is detected, a resume signal is outputted to a down port. At this time, a controller sets 1 as a "RESUME" bit. In both cases manage the output time of a resume signal by S/W. The output of a resume signal is stopped by "RWUP=0" or "RESUME=0" writing by S/W.

(c) USB Communication enable (Host mode)

A SOF (or uSOF) packet is transmitted on a USB bus by a **UACT** bit. The controller manages a SOF packet interval. When "1" is set as a **UACT** bit the SOF packet is sent out. When "0" is set as a **UACT** bit, after sending out the next SOF, the controller is made into a bus idle state.

(d) USB bus reset (Host mode)

A USB bus reset signal is outputted by setting a **USBRST** bit as 1. Software should manage USB bus reset time. Please set "USBRST=0" after waiting for USB bus reset time.

2.4.2 Communication speed discrimination

If the HSE bit of a SYSCFG register is set as 1, at the time of transmission and reception of USB bus reset, this controller execute a reset handshake automatically and determine transmission speed. Software is able to confirm the USB speed, using the **RHST** bit.

If Hi-Speed operation has been set to the disabled state ("HSE=0") by software, the controller immediately establishes Full-Speed operation ("RHST=10"), without executing the reset handshake protocol.

In the Host mode, it is the following timing that a result is reflected in a **RHST** bit after USB reset is disabled. Software needs to wait connected peripheral is Full-Speed device.

- Full-Speed device : When a USB bus changes from the SE0 State to J State by with USB bus reset.
- Hi-Speed device : When termination resistance is changed to Hi-Speed mode by the reset handshake.
(It decides during USB bus reset)

After the USB bus reset end (after URST=0 setup), when **RHST** is not decided after sufficient waiting time, the USB cable may be disconnect during USB bus reset. In such a case, please check the state of a USB bus by the **LNST** bit.

2.4.3 Test mode

Table 2.6 shows the test mode operation of the controller. The **UTST** bit of the **TESTMODE** register controls the USB test signal output during Hi-Speed operation.

Table 2.6 Test mode operation

Test mode	UTST bit setting	
	Peripheral mode	Host mode
Normal operation	0000	0000
Test_J	0001	1001
Test_K	0010	1010
Test_SE0_NAK	0011	1011
Test_Packet	0100	1100
Reserved	0101-0111	1101-0111

2.5 External input/output control

Data pin configuration register [PINCFG]

<Address: 0AH>

15	14	13	12	11	10	9	8	7	6	5	4	3	2	1	0
LDRV							BIGEND								
0	?	?	?	?	?	?	0	?	?	?	?	?	?	?	?
-	?	?	?	?	?	?	-	?	?	?	?	?	?	?	?
-	?	?	?	?	?	?	-	?	?	?	?	?	?	?	?
-	?	?	?	?	?	?	0	?	?	?	?	?	?	?	?

Bit	Name	Function	S/W	H/W	Note
15	LDRV Output pins drive current control	0: When VIF=1.6-2.0 V 1: When VIF=2.7-3.6 V	R/W	R	2.5.1 *1)
14-9	Nothing is placed here. These should be fixed at "0".				
8	BIGEND FIFO port Endian	0: Little Endian 1: Big Endian	R/W	R	2.5.2 *1)
7-0	Nothing is placed here. These should be fixed at "0".				

<<Note>>

- *1) The **BIGEND** bit is common to all of the FIFO ports and available for the FIFO ports only. The **BIGEND** bit doesn't affects register access.

The **DMA0CFG** register controls the input/output pins used for the DMA0 interface and the D0FIFO port, and the **DMA1CFG** register controls the input/output pins used for the DMA1 interface and the D1FIFO port.

DMA0 pin configuration register [DMA0CFG]

<Address: 0CH>

DMA1 pin configuration register [DMA1CFG]

<Address: 0EH>

15	14	13	12	11	10	9	8	7	6	5	4	3	2	1	0
?	DREQA	BURST	?	?	DACKA		DFORM		DENDA	PKTM	DENDE		OBUS		
?	0	0	?	?	0	0	0	0	0	0	0	?	0	?	?
?	-	-	?	?	-	-	-	-	-	-	-	?	-	?	?
?	-	-	?	?	-	-	-	-	-	-	-	?	-	?	?
?	-	0	?	?	0	0	0	0	0	0	0	?	0	?	?

Bit	Name	Function	S/W	H/W	Note
15		Nothing is placed here. This should be fixed at "0".			
14	DREQA DREQx_N signal polarity selection	This specifies the active state for the DREQx_N pin. 0: Low active 1: High active	R/W	R	-
13	BURST Burst mode	0: Cycle steal transfer 1: Burst transfer	R/W	R	2.5.3 *3)
12-11		Nothing is placed here. These should be fixed at "0".			
10	DACKA DACKx_N signal polarity selection	This specifies the active state for the DACKx_N pin. 0: Low active 1: High active	R/W	R	-
9-7	DFORM DMA transfer signal selection	011: Only the DACKx_N signal is used (CPU bus). 000: The Address signal + the RD_N/WRx_N signals are used (CPU bus). 010: The DACKx_N + the RD_N/WRx_N signals are used (CPU bus). 100: The DACKx_N signal is used (split bus). 110: The DACK0_N + the DSTB0_N signal are used (split bus). 001, 101, 111: Reserved	R/W	R	3.4.3 *3)
6	DENDA DEND0_N signal polarity selection	This specifies the active state of the DENDx_N pin. 0: Low active 1: High active	R/W	R	-
5	PKTM Packet mode	0: The DENDx_N signal is asserted in transfer units. 1: The DENDx_N signal is asserted each time an amount of data corresponding to the buffer size is transferred.	R/W	R	2.5.3 3.4.3.4 *2)
4	DENDE DENDx_N signal enabled	0: The DENDx_N signal is disabled (Hi-Z output). 1: The DENDx_N signal is enabled.	R/W	R	2.5.3 3.4.3.4
3		Nothing is placed here. It should be fixed at "0".			
2	OBUS OBUS operation disabled	0: The OBUS mode is enabled. 1: The OBUS mode is disabled.	R/W	R	3.5
1-0		Nothing is placed here. These should be fixed at "0".			

<<Notes>>

- *2) The **PKTM** bit is valid only when the data receiving direction (reading from the buffer memory) is set. If the Dx FIFO port is being used in the data writing direction, "PKTM=0" should be set.
- *3) The "DFORM=110" setting is valid only when the DMA channel 0 is set.
Also, the following should not be set: "DFORM=001", "DFORM=101" and "DFORM=111".

2.5.1 Output pins drive current control

The output pins drive capability should be set using the **LDRV** bit of the **PINCFG** register, to match the VIF power supply.

The output pins are the **SD7-0**, **D15-0**, **INT_N**, **DREQx_N**, **DENDx_N**, and **SOF_N** pins.

2.5.2 FIFO port access Endian

Table 2.7 and Table 2.8 show the byte Endian operation of the controller. (The controller uses Little Endian.) When the CPU of user-system is Big-endian, software should be set the **BIGEND** bit to "1" of the **PINCFG** register.

Table 2.7 Endian operation when using 16-bit access

BIGEND	b15 – b8	b7 – b0
0	Odd-numbered addresses	Even-numbered addresses
1	Even-numbered addresses	Odd-numbered addresses

Table 2.8 Endian operation when using 8-bit access

BIGEND	b15 – b8	b7 – b0
0	Writing: invalid Reading: invalid	Writing: valid Reading: valid
1	Writing: valid Reading: valid	Writing: invalid Reading: invalid

2.5.3 DMA signal control

When transferring data using the DMA interface, the DMA operations (assertion and negation of the **DREQx_N** and **DENDx_N** signals, and the DMA transfer mode) should be specified to match the user system, using the **BURST**, **PKTM**, **DENDE**, and **OBUS** bits of the **DMAXCFG** register. The DMA signals are valid for the selected pipe(s) as long as DMA transfers are enabled using the **DREQE** bit of the **DxFIFOSEL** register, which will be explained later. The **DREQx_N** pin is asserted when the buffer memory of the pipe is in the Buffer Ready (BRDY) state.

2.6 FIFO ports

The transmission and reception buffer memory of the controller uses the FIFO. The FIFO port registers should be used to access the buffer memory. There are three FIFO ports: the CFIFO port, D0FIFO port, and D1FIFO port. Each FIFO port is configured of a port register that handles reading of data from the buffer memory and writing of data to the memory, a selection register used to select the pipe assigned to the FIFO port, a control register, and registers used specifically for port functions (an SIE register used exclusively for the CFIFO port, and a transaction counter register used exclusively for the DxFIFO port).

The Notes noted below apply to each of the FIFO ports.

1. The DCP buffer memory can only be accessed through the CFIFO port.
2. Accessing the buffer memory using DMA transfer can be done only through the DxFIFO port.
3. Accessing the DxFIFO port using the CPU has to be done in conjunction with the functions and restrictions of the DxFIFO port.(Using the transaction counter, etc.)
4. When using functions specific to the FIFO port, the selected pipe cannot be changed.
(Using the transaction counter, signal input/output through DMA-related pins, etc.)
5. Registers corresponding to a FIFO port never affect other FIFO ports.
6. The same pipe should not be assigned to two or more separate FIFO ports.
7. There are two sorts of buffer memory states; when the access right is on the CPU side and it is on the SIE side. When the buffer memory access right is on the SIE side, the memory cannot be properly accessed from the CPU.
8. The pipe configuration,i.e. **PIPECFG**, **PIPEBUF**, **PIPEMAXP**, **PIPEPERI**, **PIPE1CTR** registers of the pipe selected by the **CURPIPE** bit should not be changed.

CFIFO port register [CFIFO]

<Address: 10H>

D0FIFO port register [D0FIFO]

<Address: 14H>

D1FIFO port register [D1FIFO]

<Address: 18H>

15	14	13	12	11	10	9	8	7	6	5	4	3	2	1	0
FIFOPORT															
0	0	0	0	0	0	0	0	0	0	0	0	0	0	0	0
0	0	0	0	0	0	0	0	0	0	0	0	0	0	0	0
-	-	-	-	-	-	-	-	-	-	-	-	-	-	-	-
0	0	0	0	0	0	0	0	0	0	0	0	0	0	0	0

Bit	Name	Function	S/W	H/W	Note
15-0	FIFOPORT FIFO port	This handles reading of received data from the buffer memory, or writing of the sent data to the buffer memory.	R/W	R/W	3.4 *1)

<<Note>>

- *1) Only the CFIFO port can be used for DCP access of the buffer memory.
Accessing the buffer memory using DMA transfers can only be done through the D0FIFO and D1FIFO ports.

CFIFO port selection register [CFIFOSEL]

<Address: 1EH>

D0FIFO port selection register [D0FIFOSEL]

<Address: 24H>

D1FIFO port selection register [D1FIFOSEL]

<Address: 2AH>

15	14	13	12	11	10	9	8	7	6	5	4	3	2	1	0
RCNT	REW	DCLRM	DREQE		MBW	TRENB	TRCLR	DEZPM		ISEL			CURPIPE		
0	0	0	0	?	0	0	0	0	?	0	?	?	0	0	0
0	0	0	0	?	0	0	0	0	?	0	?	?	0	0	0
-	-	-	-	?	-	-	-	-	?	-	?	?	-	-	-
0	0	0	0	?	0	0	0	0	?	0	?	?	0	0	0

Bit	Name	Function	S/W	H/W	Note
15	RCNT Read Count mode	0: The DTLN bit is cleared when all of the reception data has been read. 1: The DTLN bit is decremented when the reception data is read.	R/W	R	
14	REW Buffer pointer rewind	0: Invalid. 1: The buffer pointer is rewind.	R(0)/W	R/W(0)	3.4.2.2
13	DCLRM This is the Auto Buffer Memory clear mode accessed after the data for the specified pipe has been read.	0: The Auto Buffer Clear mode is disabled. 1: The Auto Buffer Clear mode is enabled.	R/W	R	3.4.3.5 *2)
12	DREQE DREQ signal output enabled	0: Output is disabled. 1: Output is enabled.	R/W	R	3.4.3 *2)
11	Nothing is placed here. This should be fixed at "0".				
10	MBW FIFO port access bit width	0: 8-bit width 1: 16-bit width	R/W	R	3.4.2 *4)
9	TRENB Transaction counter enabled	0: The transaction counter function is invalid. 1: The transaction counter function is valid.	R/W	R	3.4.2.5 *2)
8	TRCLR Transaction counter clear	0: Invalid 1: The current count is cleared.	R(0)/W(1)	R	3.4.2.5 *2)
7	DEZPM Zero-Length Packet Added mode	0: No packet is added. 1: The packet is added.	R/W	R	3.4.3.3 *2)
6	Nothing is placed here. This should be fixed at "0".				
5	ISEL Access direction of the FIFO port when DCP is selected	0: This selects reading from the buffer memory. 1: This selects writing to the buffer memory.	R/W	R	3.4 *3)
4-3	Nothing is placed here. These should be fixed at "0".				
2-0	CURPIPE FIFO port access pipe specification	000: DCP / No specification 001: Pipe 1 010: Pipe 2 011: Pipe 3 100: Pipe 4 101: Pipe 5 110: Pipe 6 111: Pipe 7	R/W	R	3.4 *5)

<<Notes>>

- *2) The **DCLRM**, **DREQE**, **TRENB**, **TRCLR** and **DEZPM** bits are valid for the **D0/D1FIFOSEL** registers. The **DCLRM**, **TRENB** and **TRCLR** bits are valid when the receiving direction (reading from the buffer memory) has been set for the pipe specified by the **CURPIPE** bit. The **DEZPM** bit is valid when the sending direction (writing to the buffer memory) has been set for the pipe specified by the **CURPIPE** bit.
- *3) The **ISEL** bit is valid only when DCP is selected using the **CFIFO** port selection register. Software should set the **ISEL** bit according to the following (a) or (b).
 (a) The setting to **CURPIPE** bit to DCP ("CURPIPE="0") and setting to **ISEL** bit should be done at the same time.
 (b) First software sets **CURPIPE** bit to DCP ("CURPIPE="0"), then it sets **ISEL** bit after 200ns or more.
- *4) Once reading from the buffer memory has begun, the access bit width of the FIFO port cannot be changed until all of the data has been read. Also, the bit width cannot be changed from the 8-bit width to the 16-bit width while data is being written to the buffer memory.
- *5) Specifying "CURPIPE=0" using the **D0/D1FIFOSEL** register will be interpreted as no pipe having been specified. Also, the pipe number should not be changed while **DREQ** output is enabled.
- *6) Don't set the same pipe to **CURPIPE** of **C/D0 / D1FIFOSEL** register.

CFIFO port control register [CFIFOCTR]

<Address: 20H>

D0FIFO port control register [D0FIFOCTR]

<Address: 26H>

D1FIFO port control register [D1FIFOCTR]

<Address: 2CH>

15	14	13	12	11	10	9	8	7	6	5	4	3	2	1	0
BVAL	BCLR	FRDY		DTLN											
0	0	0	?	0	0	0	0	0	0	0	0	0	0	0	0
0	0	0	?	0	0	0	0	0	0	0	0	0	0	0	0
-	-	-	?	-	-	-	-	-	-	-	-	-	-	-	-
0	0	0	?	0	0	0	0	0	0	0	0	0	0	0	0

Bit	Name	Function	S/W	H/W	Note
15	BVAL Buffer Memory Valid flag	0: Invalid 1: Writing ended	R/ W(1)	R/W	3.4.2 *7)
14	BCLR CPU Buffer Clear	0: Invalid 1: Clears the buffer memory on the CPU side.	R(0)/ W(1)	R/W(0)	3.4.2 *8), *9)
13	FRDY FIFO Port Ready	0: FIFO port access is disabled. 1: The FIFO port can be accessed.	R	W	3.4.4 *10)
12	Nothing is placed here. This should be fixed at "0".				
11-0	DTLN Reception Data Length	The length of the reception data can be confirmed.	R	W	3.4.4 *8)

<<Notes>>

- *7) Writing "1" to the **BVAL** bit is valid when the direction of the data packet is the sending direction (when data is being written to the buffer memory). When the direction is the receiving direction, "BVAL=0" should be set.
- *8) The **BCLR** bit and **DTLN** bit are valid for the buffer memory on the CPU side. Software should set "BCLR=1" or refer **DTLN** bit after making sure that "FRDY=1".
- *9) Using the **BCLR** bit to clear the buffer should be done with the pipe invalid state by the pipe configuration ("PID=NAK").
- *10) The **FRDY** bit requires an access cycle of at least 450 ns after the pipe has been selected.

CFIFO port SIE register [CFIFOSIE]

<Address: 22H>

15	14	13	12	11	10	9	8	7	6	5	4	3	2	1	0
TGL	SCLR	SBUSY													
0	0	0	?	?	?	?	?	?	?	?	?	?	?	?	?
0	0	0	?	?	?	?	?	?	?	?	?	?	?	?	?
-	-	-	?	?	?	?	?	?	?	?	?	?	?	?	?
0	0	0	?	?	?	?	?	?	?	?	?	?	?	?	?

Bit	Name	Function	S/W	H/W	Note
15	TGL Access Right Switch	0: Invalid 1: Switches access right	R(0)/ W(1)	R/W(0)	3.4.2.3 *11)
14	SCLR SIE Buffer Clear	0: Invalid 1: Clears buffer memory on SIE side	R(0)/ W(1)	R/W(0)	3.4.2.4 *12)
13	SBUSY SIE Buffer Busy	0: SIE is not being accessed. 1: SIE is being accessed.	R	W	3.4.2.3
12-0	Nothing is placed here. These should be fixed at "0".				

<<Note>>

- *11) The function of the **TGL** bit is to set the buffer memory on the SIE side to the CPU side. Set "PID=NAK" and check the **SBUSY** bit to make sure the SIE is not accessing the buffer ("SBUSY=0"). Then write the **TGL** bit (toggle operation). This bit is valid only for pipes for which the reception direction (reading from the buffer memory) has been set.
- *12) The function of the **SCLR** bit is to clear the buffer memory on the SIE side. Set "PID=NAK" and check the **SBUSY** bit to make sure the SIE is not accessing the buffer ("SBUSY=0"). Then clear the buffer. This bit is valid only for pipes for which the sending direction (writing to the buffer memory) has been set.

D0 transaction counter register [D0FIFOTRN]

<Address: 28H>

D1 transaction counter register [D1FIFOTRN]

<Address: 2EH>

15	14	13	12	11	10	9	8	7	6	5	4	3	2	1	0
TRNCNT															
0	0	0	0	0	0	0	0	0	0	0	0	0	0	0	0
0	0	0	0	0	0	0	0	0	0	0	0	0	0	0	0
-	-	-	-	-	-	-	-	-	-	-	-	-	-	-	-
0	0	0	0	0	0	0	0	0	0	0	0	0	0	0	0

Bit	Name	Function	S/W	H/W	Note
15-0	TRNCNT Transaction counter	Writing: Sets the number of DMA transfer transactions. Reading: Reads the number of transactions.	R/W	R	3.4.2.5 *13)

<<Note>>

- *13) The transaction counter is valid when data is being read from the buffer memory.
The number of transactions can be read while counting is taking place only if the **TRENB** bit of the **DxFIFOSEL** register is "1". If "TRENB=0", the set number of transactions can be read.

2.7 Interrupts enabled

Interrupts enabled register 0 [INTENB0]

<Address: 30H>

15	14	13	12	11	10	9	8	7	6	5	4	3	2	1	0
VBSE	RSME	SOFE	DVSE	CTRE	BEMPE	NRDYE	BRDYE	URST	SADR	SCFG	SUSP	WDST	RDST	CMPL	SERR
0	0	0	0	0	0	0	0	0	0	0	0	0	0	0	0
0	0	0	0	0	0	0	0	0	0	0	0	0	0	0	0
-	-	-	-	-	-	-	-	-	-	-	-	-	-	-	-
-	-	0	0	0	0	0	0	0	0	0	0	0	0	0	0

Bit	Name	Function	S/W	H/W	Note
15	VBSE VBUS interrupts enabled	0: Interrupt output disabled 1: Interrupt output enabled	R/W	R	2.7.1 2.7.8 3.2.9
14	RSME Resume interrupts enabled	0: Interrupt output disabled 1: Interrupt output enabled	R/W	R	2.7.1 2.7.8 3.2.10
13	SOFE Frame number refresh interrupts enabled	0: Interrupt output disabled 1: Interrupt output enabled	R/W	R	2.7.1 3.2.8
12	DVSE Device state transition interrupts enabled	0: Interrupt output disabled 1: Interrupt output enabled	R/W	R	2.7.1 2.7.2 3.2.6
11	CTRE Control transfer stage transition interrupts enabled	0: Interrupt output disabled 1: Interrupt output enabled	R/W	R	2.7.1 2.7.3 3.2.7
10	BEMPE Buffer Empty interrupts enabled	0: Interrupt output disabled 1: Interrupt output enabled	R/W	R	2.7.1 3.2.5
9	NRDYE Buffer Not Ready response interrupts enabled	0: Interrupt output disabled 1: Interrupt output enabled	R/W	R	2.7.1 3.2.4
8	BRDYE Buffer Ready interrupts enabled	0: Interrupt output disabled 1: Interrupt output enabled	R/W	R	2.7.1 3.2.3
7	URST Default state transition notifications enabled	0: DVST interrupt disabled at transition to default state 1: DVST interrupt enabled at transition to default state	R/W	R	2.7.2 3.2.6
6	SADR Address state transition notifications enabled	0: DVST interrupt disabled at transition to address state 1: DVST interrupt enabled at transition to address state	R/W	R	2.7.2 3.2.6
5	SCFG Configuration state transition notifications enabled	0: DVST interrupt disabled at transition to configuration state 1: DVST interrupt enabled at transition to configuration state	R/W	R	2.7.2 3.2.6
4	SUSP Suspend state transition notifications enabled	0: DVST interrupt disabled. at transition to suspend state 1: DVST interrupt enabled at transition to suspend state	R/W	R	2.7.2 3.2.6
3	WDST Control write transfer status stage transition notifications enabled	0: CTST interrupt disabled at transition to status stage of control write transfer 1: CTST interrupt enabled at transition to status stage of control write transfer	R/W	R	2.7.3 3.2.7
2	RDST Control read transfer status stage transition notifications enabled	0: CTST interrupt disabled at transition to status stage of control read transfer 1: CTST interrupt enabled at transition to status stage of control read transfer	R/W	R	2.7.3 3.2.7
1	CMPL Control transfer end notifications enabled	0: CTST interrupt are disabled at end of control transfer 1: CTST interrupt enabled at end of control transfer	R/W	R	2.7.3 3.2.7
0	SERR Control transfer sequence error notifications enabled	0: CTST interrupt disabled at detection of control transfer sequence error 1: CTST interrupt enabled at detection of control transfer sequence error	R/W	R	2.7.3 3.2.7

<<Note>>

None in particular

Interrupt enabled register 1[INTENB1]

<Address: 32H>

15	14	13	12	11	10	9	8	7	6	5	4	3	2	1	0
	BCHGE		DTCHE							SIGNE	SACKE		BRDYM	INTL	PCSE
?	0	?	0	?	?	?	?	?	?	0	0	?	0	0	0
?	0	?	0	?	?	?	?	?	?	0	0	?	-	-	0
?	-	?	-	?	?	?	?	?	?	-	-	?	-	-	-
?	-	?	0	?	?	?	?	?	?	0	0	?	0	0	-

Bit	Name	Function	S/W	H/W	Note
15	Nothing is placed here. These should be fixed at "0".				
14	BCHGE USB bus change interrupt enabled	0: Interrupt output disabled 1: Interrupt output enabled	R/W	R	2.7.1 2.7.4 2.7.8 3.2.11
13	Nothing is placed here. This should be fixed at "0".				
12	DTCHE Full-Speed detach detect interrupt enabled	0: Interrupt output disabled 1: Interrupt output enabled	R/W	R	2.7.1 2.7.5 3.2.12 *1), *2)
11-6	Nothing is placed here. This should be fixed at "0".				
5	SIGNE Setup transaction error detect interrupt enabled	0: Interrupt output disabled 1: Interrupt output enabled	R/W	R	2.7.1 2.7.6 3.2.14 *1)
4	SACKE Setup transaction complete interrupt enabled	0: Interrupt output disabled 1: Interrupt output enabled	R/W	R	2.7.1 2.7.7 3.2.13 *1)
3	Nothing is placed here. This should be fixed at "0".				
2	BRDYM BRDY interrupt status clear timing control	0: Software clears BRDY interrupt status 1: The controller clears BRDY interrupt status	R/W	R	*3)
1	INTL Interrupt output sensing control	0: Edge sensing 1: Level sensing	R/W	R	3.2.1
0	PCSE returning fact selection from low-power sleep mode	0: USB resume detectionm, VBUS interrupt detection during suspend, or CS_N signal input 1: USB resume detectionm, or VBUS interrupt detection during suspend	R/W	R	*4)

<<Notes>>

- *1) **DTCHE, SIGNE, SACKE** bit are effective only at the time of a Host mode.
- *2) The **DTCHE** bit is effective only at the time of Full-Speed mode.
Please perform detach detection by S/W, such as detecting ignore packet from peripheral device at the time of Hi-Speed mode.
- *3) When software sets "BRDYM=1", it will set "INTL=1" also.
- *4) **PCSE** bit should be set after "USB=1" setting.

BRDY interrupt enabled register [BRDYENB]

<Address: 36H>

15	14	13	12	11	10	9	8	7	6	5	4	3	2	1	0
?	?	?	?	?	?	?	?	PIPEBRDYE							
?	?	?	?	?	?	?	?	0	0	0	0	0	0	0	0
?	?	?	?	?	?	?	?	0	0	0	0	0	0	0	0
?	?	?	?	?	?	?	?	-	-	-	-	-	-	-	-
?	?	?	?	?	?	?	?	0	0	0	0	0	0	0	0

Bit	Name	Function	S/W	H/W	Note
15-8	Nothing is placed here. These should be fixed at "0".				
7-0	PIPEBRDYE BRDY interrupts for the each pipe is enabled.	0: Interrupt output disabled 1: Interrupt output enabled	R/W	R	2.7.1 3.2.3 *5)

<<Note>>

*5) The bit numbers correspond to the pipe numbers.

NRDY interrupt enabled register [NRDYENB]

<Address: 38H>

15	14	13	12	11	10	9	8	7	6	5	4	3	2	1	0
?	?	?	?	?	?	?	?	PIPENRDYE							
?	?	?	?	?	?	?	?	0	0	0	0	0	0	0	0
?	?	?	?	?	?	?	?	0	0	0	0	0	0	0	0
?	?	?	?	?	?	?	?	-	-	-	-	-	-	-	-
?	?	?	?	?	?	?	?	0	0	0	0	0	0	0	0

Bit	Name	Function	S/W	H/W	Note
15-8	Nothing is placed here. These should be fixed at "0".				
7-0	PIPENRDYE NRDY interrupts for the each pipe is enabled.	0: Interrupt output disabled 1: Interrupt output enabled	R/W	R	2.7.1 3.2.4 *6)

<<Note>>

*6) The bit numbers correspond to the pipe numbers.

BEMP interrupt enabled register [BEMPENB]

<Address: 3AH>

15	14	13	12	11	10	9	8	7	6	5	4	3	2	1	0
?	?	?	?	?	?	?	?	PIPEBEMPE							
?	?	?	?	?	?	?	?	0	0	0	0	0	0	0	0
?	?	?	?	?	?	?	?	0	0	0	0	0	0	0	0
?	?	?	?	?	?	?	?	-	-	-	-	-	-	-	-
?	?	?	?	?	?	?	?	0	0	0	0	0	0	0	0

Bit	Name	Function	S/W	H/W	Note
15-8	Nothing is placed here. These should be fixed at "0".				
7-0	PIPEBEMPE BEMP interrupts for the each pipe is enabled.	0: Interrupt output disabled 1: Interrupt output enabled	R/W	R	2.7.1 3.2.5 *7)

<<Note>>

*7) The bit numbers correspond to the pipe numbers.

2.7.1 Interrupt masks

The **VBSE**, **RSME**, **SOFE**, **DVSE**, **CTRE**, **BEMPE**, **NRDYE**, and **BRDYE** bits of the **INTENB0** register and **BCHGE**, **DTCHE**, **SIGNE**, **SACKE** of **INTENB1** register operate as interrupt mask bits. Each of the bits should be used to specify whether interrupt signal output is enabled or disabled for the **INT_N** pin.

The **BRDYENB** register, **NRDYENB** register and **BEMPENB** register operate as the **BRDY** interrupt mask bit, the **NRDY** interrupt mask bit, and the **BEMP** interrupt mask bit, respectively, for the each corresponding pipe.

2.7.2 Device state transition interrupts

The **URST**, **SADR**, **SCFG**, and **SUSP** bits of the **INTENB0** register operate as interrupt mask bits for the device state transition interrupt (**DVST**). If a factor is disabled, no device state transition interrupt is issued in response to the pertinent factor. However, the device state (**DVSQ**) transits in keeping with the circumstances. This function is effective only at the time of a peripheral mode.

2.7.3 Control transfer stage transition interrupts

The **WDST**, **RDST**, **CMPL** and **SERR** bits of the **INTENB0** register should be used to set the interrupt factors for the control transfer stage transition interrupt (**CTRT**). If a factor is disabled, no control transfer stage transition interrupts are issued in response to the pertinent factor.

This function is effective only at the time of a peripheral mode.

2.7.4 USB bus change interrupt

Interruption can be generated when a USB bus state changes. This interruption enable with the **BCHGE** bit of **INTENB1** register. This interruption is used for the peripheral connection and detection of a remote wakeup signal in the Host mode. Please do not enable interruption during communication (at the time of "UACT=1" setup). The bus change interruption is generated whichever it has chosen of Host and Peripheral mode.

2.7.5 Full-Speed detach detect interrupt

When Host mode, interruption can be generated when peripheral device is detached at the time of Full-Speed mode. This interruption enable with the **DTCHE** bit of **INTENB1** register.

2.7.6 Setup transaction error detect interrupt

Interruption can be generated when the ACK packet from peripheral device isn't able to be received at the time of sending setup transaction at Host mode. This interruption enable with the **SIGN** bit of **INTENB1** register.

2.7.7 Setup transaction complete interrupt

Interruption can be generated when the ACK packet from peripheral device is received at the time of sending setup transaction at Host mode. This interruption enable with the **SACKE** bit of **INTENB1** register.

2.7.8 Operations in the low-power sleep state

The **VBSE**, **RSME**, **BCHG** interrupts are generated in the low-power sleep state as well..

2.8 SOF control register

SOF pin configuration register [SOFCFG]

<Address: 3CH>

15	14	13	12	11	10	9	8	7	6	5	4	3	2	1	0
												SOFM			
?	?	?	?	?	?	?	?	?	?	?	?	0	0	?	?
?	?	?	?	?	?	?	?	?	?	?	?	-	-	?	?
?	?	?	?	?	?	?	?	?	?	?	?	0	0	?	?

Bit	Name	Function	S/W	H/W	Note
15-4		Nothing is placed here. These should be fixed at "0".			
3-2	SOFM SOF pin function setting	This selects the SOF pulse output mode. 00: SOF pulse output disabled 01: SOF pulse output in units of 1 ms 10: μ SOF output in units of 125 μ s 11: Reserved	R/W	R	3.10.1 *1), *2)
1-0		Nothing is placed here. These should be fixed at "0".			

<<Notes>>

- *1) With Full-Speed operation, (when "HSE=0" has been set, or the RHST bit indicates "RHST=0" as the result of the reset handshake), "SOFM=10" should not be set.
- *2) This bit should be set after a reset handshake has been completed, or when recovering from the low-power sleep state, and should not be changed during subsequent USB communication.

2.9 Interrupt statuses

Interrupt status register 0[INTSTS0]

<Address: 40H>

15	14	13	12	11	10	9	8	7	6	5	4	3	2	1	0
VBINT	RESM	SOFR	DVST	CTRTR	BEMP	NRDY	BRDY	VBSTS	DVSQ			VALID	CTSQ		
0	0	0	0	0	0	0	0	?	0	0	0	0	0	0	0
0	0	0	0	0	0	0	0	-	0	0	0	0	0	0	0
-	-	-	1	-	-	-	-	-	0	0	1	-	-	-	-
-	-	0	0	0	0	0	0	?	0	0	0	0	0	0	0

Bit	Name	Function	S/W	H/W	Note
15	VBINT VBUS interrupt status	0: VBUS interrupts not issued 1: VBUS interrupts issued	R/W	W	3.2.9 3.2.10 *3)
14	RESM Resume interrupt status	0: Resume interrupts not issued 1: Resume interrupts issued	R/W	W	3.2.10 *3)
13	SOFR Frame number refresh interrupt status	0: SOF interrupts not issued 1: SOF interrupts issued	R/W(0)	W	3.2.8 *3)
12	DVST Device state transition interrupt status	0: Device state transition interrupts not issued 1: Device state transition interrupts issued	R/W(0)	W	3.2.6 *3)
11	CTRTR Control transfer stage transition interrupt status	0: Control transfer stage transition interrupts not issued 1: Control transfer stage transition interrupts issued	R/W(0)	W	3.2.7 *3)
10	BEMP Buffer Empty interrupt status	0: BEMP interrupts not issued 1: BEMP interrupts issued	R	W	3.2.5 *1)
9	NRDY Buffer Not Ready interrupt status	0: NRDY interrupts not issued 1: NRDY interrupts issued	R	W	3.2.4 *1)
8	BRDY Buffer Ready interrupt status	0: BRDY interrupts not issued 1: BRDY interrupts issued	R	W	3.2.3 *1)
7	VBSTS VBUS input status	0: VBUS pin is "L" level 1: VBUS pin is "H" level	R	W	3.2.9 *2)
6-4	DVSQ Device state	000: Powered state 001: Default state 010: Address state 011: Configured state 1xx: Suspended state	R	W	3.2.6
3	VALID Setup packet reception	0: Not detected 1: Setup packet reception	R/W(0)	W	3.2.7
2-0	CTSQ Control transfer stage	000: Idle or setup stage 001: Control read data stage 010: Control read status stage 011: Control write data stage 100: Control write status stage 101: Control write (NoData) status stage 110: Control transfer sequence error 111: Reserved	R	W	3.2.7

<<Note>>

- *1) The **BEMP**, **BRDY** and **NRDY** bits are cleared when all of the factors for each pipe on corresponding registers have been eliminated, i.e. **BEMPSTS**, **BRDYSTS** and **NRDYSTS**.
- *2) The VBUS input status based on the **VBSTS** bit requires that chattering be eliminated using software.
- *3) If multiple factors are being generated among the **VBINT**, **RESM**, **SOFR**, **DVST**, and **CTRTR** bits, an access cycle of at least 100 ns is required in order to clear the bits in succession, rather than simultaneously.

Interrupt status register 1 [INTSTS1]

<Address: 42H>

15	14	13	12	11	10	9	8	7	6	5	4	3	2	1	0
	BCHG	SOFR	DTCH		BEMP	NRDY	BRDY			SIGN	SACK				
?	0	0	0	?	0	0	0	?	?	0	0	?	?	?	?
?	0	0	0	?	0	0	0	?	?	0	0	?	?	?	?
?	-	-	-	?	-	-	-	?	?	-	-	?	?	?	?
?	-	0	0	?	0	0	0	?	?	0	0	?	?	?	?

Bit	Name	Function	S/W	H/W	Note
15	Nothing is placed here. These should be fixed at "0".				
14	BCHG USB bus change interrupt status	0: BCHG Interrupts not issued 1: BCHG Interrupts issued	R/W	W	3.2.11
13	SOFR Frame number refresh interrupt status	This bit is a mirror bit of a 40H SOFR bit. 0: SOF Interrupts not issued 1: SOF Interrupts issued	R/W(0)	W	3.2.8 2.9.1
12	DTCH Full-Speed detach detect interrupt status	0: DTCH Interrupts not issued 1: DTCH Interrupts issued	R/W	W	3.2.12 *4), *5)
11	Nothing is placed here. This should be fixed at "0".				
10	BEMP Buffer Empty interrupt status	This bit is a mirror bit of a 40H BEMP bit. 0: BEMP interrupts not issued 1: BEMP interrupts issued	R	W	2.9.1 3.2.5
9	NRDY Buffer Not Ready response interrupt status	This bit is a mirror bit of a 40H NRDY bit. 0: NRDY interrupts not issued 1: NRDY interrupts issued	R	W	2.9.1 3.2.4
8	BRDY Buffer Ready interrupt status	This bit is a mirror bit of a 40H BRDY bit. 0: BRDY interrupts not issued 1: BRDY interrupts issued	R	W	2.9.1 3.2.3
7-6	Nothing is placed here. This should be fixed at "0".				
5	SIGN Setup transaction error detect interrupt status	0: SIGN interrupts not issued 1: SIGN interrupts issued	R/W	R	3.2.14 *4)
4	SACK Setup transaction complete interrupt status	0: SACK interrupts not issued 1: SACK interrupts issued	R/W	R	3.2.13 *4)
3-0	Nothing is placed here. This should be fixed at "0".				

<<Notes>>

- *4) DTCH, SIGN, SACK bit are effective only at the time of a Host mode.
- *5) The DTCH bit is effective only at the time of Full-Speed mode.
Please perform detach detection by S/W, such as detecting ignore packet from peripheral device at the time of Hi-Speed mode.

BRDY interrupt status register [BRDYSTS]

<Address: 46H>

15	14	13	12	11	10	9	8	7	6	5	4	3	2	1	0
?	?	?	?	?	?	?	?	PIPEBRDY							
?	?	?	?	?	?	?	?	0	0	0	0	0	0	0	0
?	?	?	?	?	?	?	?	0	0	0	0	0	0	0	0
?	?	?	?	?	?	?	?	-	-	-	-	-	-	-	-
?	?	?	?	?	?	?	?	0	0	0	0	0	0	0	0

Bit	Name	Function	S/W	H/W	Note
15-8	Nothing is placed here. These should be fixed at "0".				
7-0	PIPEBRDY BRDY interrupt status for the each pipe	0: Interrupts are not issued. 1: Interrupts are issued.	R/W(0)	W(1)	3.2.3 *6)

<<Note>>

- *6) The bit numbers correspond to the pipe numbers. Also, if factors are being generated for more than one pipe, an access cycle of at least 100 ns is required in order to clear the bits in succession, rather than simultaneously.

NRDY interrupt status register [NRDYSTS]

<Address: 48H>

15	14	13	12	11	10	9	8	7	6	5	4	3	2	1	0
?	?	?	?	?	?	?	?	PIPENRDY							
?	?	?	?	?	?	?	?	0	0	0	0	0	0	0	0
?	?	?	?	?	?	?	?	0	0	0	0	0	0	0	0
?	?	?	?	?	?	?	?	-	-	-	-	-	-	-	-
?	?	?	?	?	?	?	?	0	0	0	0	0	0	0	0

Bit	Name	Function	S/W	H/W	Note
15-8	Nothing is placed here. These should be fixed at "0".				
7-0	PIPENRDY NRDY interrupt for the each pipe	0: Interrupts are not issued. 1: Interrupts are issued.	R/W(0)	W(1)	3.2.4 *7)

<<Note>>

- *7) The bit numbers correspond to the pipe numbers. Also, if factors are being generated for more than one pipe, an access cycle of at least 100 ns is required in order to clear the bits in succession, rather than simultaneously.

BEMP interrupt status register [BEMPSTS]

<Address: 4AH>

15	14	13	12	11	10	9	8	7	6	5	4	3	2	1	0
?	?	?	?	?	?	?	?	PIPEBEMP							
?	?	?	?	?	?	?	?	0	0	0	0	0	0	0	0
?	?	?	?	?	?	?	?	0	0	0	0	0	0	0	0
?	?	?	?	?	?	?	?	-	-	-	-	-	-	-	-
?	?	?	?	?	?	?	?	0	0	0	0	0	0	0	0

Bit	Name	Function	S/W	H/W	Note
15-8	Nothing is placed here. These should be fixed at "0".				
7-0	PIPEBEMP BEMP interrupt for the each pipe	0: Interrupts are not issued. 1: Interrupts are issued.	R/W(0)	W(1)	3.2.5 *8)

<<Note>>

- *8) The bit numbers correspond to the pipe numbers. Also, if factors are being generated for more than one pipe, an access cycle of at least 100 ns is required in order to clear the bits in succession, rather than simultaneously.

2.9.1 Mirror bits of INTSTS0 register and INTSTS1

SOFR, BEMP, NRDY, BRDY bit of INTSTS1 register are mirror bits of INTSTS0 register. When software reads, the same value as the same bit of INTSTS0 register can be read. When it writes, the same value as the same bit of INTSTS0 register is written in.

2.10.1 Isochronous errors

With this controller, data transfer errors that occur in isochronous transfers can be confirmed using the **OVRN** bit and the **CRCE** bit of the **FRMNUM** register. In isochronous transfers, error notification by the **NRDY** interrupt can be differentiated using the **OVRN** bit and the **CRCE** bit between data buffer errors and packet errors.

Table 2.9 and Table 2.10 show the conditions under which the **OVRN** bit and **CRCE** bit are set to "1".

Table 2.9 Error information when an NRDY interrupt is issued in an isochronous transfer receiving direction

Bit status	Issued when:	Issue conditions	Detected error	Operation
"OVRN=1"	Data packet is received	A new data packet is received before reading of buffer memory is completed	Reception data buffer overrun	The new data packet is thrown out
"CRCE=1"	Data packet is received	A CRC error, or, a bit stuffing error is detected	Received packet error	The new data is packet thrown out

Table 2.10 Error information when an NRDY interrupt is issued in an isochronous transfer sending direction

Bit status	Issued when:	Issue conditions	Detected error	Operation
"OVRN=1"	IN token is received	An in-token is received before writing to buffer memory is completed	Transmission data buffer underrun	Zero-Length packet transmission
"CRCE=1"	Not issued			

2.10.2 SOF interrupts and frame numbers

The **SOFR** interrupt operation mode should be selected using the **SOFRM** bit of the **FRMNUM** register. Also, the current frame number can be confirmed using the **FRNM** bit of the **FRMNUM** register and the **UFRNM** bit of the **UFRNUM** register.

In the peripheral mode, with this controller, the frame numbers are refreshed at the timing at which SOF packets are received. If the controller is unable to detect an SOF packet because the packet has been corrupted, or for another reason, the **FRNM** value is retained until a new SOF packet is received. At that point, the **FRNM** bit based on the SOF interpolation timer is not refreshed. Also, the **UFRNM** bit is incremented in response to a uSOF packet being received.

2.11 USB address (low-power recovery)

USB address/low-power status recovery register [RECOVER]

<Address: 50H>

15	14	13	12	11	10	9	8	7	6	5	4	3	2	1	0
					STSRECOV				USBADDR						
?	?	?	?	?	0	0	0	?	0	0	0	0	0	0	0
?	?	?	?	?	-	-	-	?	0	0	0	0	0	0	0
?	?	?	?	?	-	-	-	?	0	0	0	0	0	0	0
?	?	?	?	?	0	0	0	?	0	0	0	0	0	0	0

Bit	Name	Function	S/W	H/W	Note
15-11	Nothing is placed here. These should be fixed at "0".				
10-8	STSRECOV Status recovery	Status recovery after the low-power sleep state 000: reserved 001: Full-Speed Default state 010: Full-Speed Address state 011: Full-Speed Configured state 100: reserved 101: Hi-Speed Default state 110: Hi-Speed Address state 111: Hi-Speed Configured state	R/W	R	3.1.7 *1), *2)
7	Nothing is placed here. This should be fixed at "0".				
6-0	USBADDR USB address	USB address confirmation and recovery	R/W	R/W	3.1.7 *1), *2)

<<Notes>>

- *1) When a recovery has been made from the low-power sleep state to the normal mode, the communication speed, device state and USB address have to be returned to the values backed up by the control program software. "STSRECOV=x00" should not be set.
- *2) RECOVER register is effective only at the time of peripheral mode. When operating in host mode, the peripheral address should be set by DEVSEL bit of PIPEMAXP register.

2.12 USB request register

The USB request register is used to store setup requests for control transfers. The values of USB requests that have been received are stored here when peripheral mode is selected. The USB requests to be sent should be set here when host mode is selected.

USB request type register [USBREQ]

<Address: 54H>

15	14	13	12	11	10	9	8	7	6	5	4	3	2	1	0
bRequest								bmRequestType							
0	0	0	0	0	0	0	0	0	0	0	0	0	0	0	0
0	0	0	0	0	0	0	0	0	0	0	0	0	0	0	0
0	0	0	0	0	0	0	0	0	0	0	0	0	0	0	0
0	0	0	0	0	0	0	0	0	0	0	0	0	0	0	0

Bit	Name	Function	S/W	H/W	Note
15-8	bRequest Request	The USB request bRequest value is stored here.	peripheral mode:R Host mode:R/W	peripheral mode:W Host mode:R	3.6.1 3.6.2
7-0	bmRequestType Request type	The USB request bmRequestType is stored here.	peripheral mode:R Host mode:R/W	peripheral mode:W Host mode:R	3.6.1 3.6.2

<<Note>>

None in particular

USB request value register [USBVAL]

<Address: 56H>

15	14	13	12	11	10	9	8	7	6	5	4	3	2	1	0
wValue															
0	0	0	0	0	0	0	0	0	0	0	0	0	0	0	0
0	0	0	0	0	0	0	0	0	0	0	0	0	0	0	0
0	0	0	0	0	0	0	0	0	0	0	0	0	0	0	0
0	0	0	0	0	0	0	0	0	0	0	0	0	0	0	0

Bit	Name	Function	S/W	H/W	Note
15-0	wValue Value	The USB request wValue value is stored here.	peripheral mode:R Host mode:R/W	peripheral mode:W Host mode:R	3.6.1 3.6.2

<<Note>>

None in particular

USB request index register [USBINDX]

<Address: 58H>

15	14	13	12	11	10	9	8	7	6	5	4	3	2	1	0
wIndex															
0	0	0	0	0	0	0	0	0	0	0	0	0	0	0	0
0	0	0	0	0	0	0	0	0	0	0	0	0	0	0	0
0	0	0	0	0	0	0	0	0	0	0	0	0	0	0	0
0	0	0	0	0	0	0	0	0	0	0	0	0	0	0	0

Bit	Name	Function	S/W	H/W	Note
15-0	wIndex Index	The USB request wIndex value is stored here.	peripheral mode:R Host mode:R/W	peripheral mode:W Host mode:R	3.6.1 3.6.2

<<Note>>

None in particular

USB request length register [USBLENG]

<Address: 5AH>

15	14	13	12	11	10	9	8	7	6	5	4	3	2	1	0
wLength															
0	0	0	0	0	0	0	0	0	0	0	0	0	0	0	0
0	0	0	0	0	0	0	0	0	0	0	0	0	0	0	0
0	0	0	0	0	0	0	0	0	0	0	0	0	0	0	0
0	0	0	0	0	0	0	0	0	0	0	0	0	0	0	0

Bit	Name	Function	S/W	H/W	Note
15-0	wLength Length	The USB request wLength value is stored here.	peripheral mode:R Host mode:R/W	peripheral mode:W Host mode:R	3.6.1 3.6.2

<<Note>>

None in particular

2.13 DCP configuration

When data communication is being carried out using control transfers, the default control pipe should be used.

DCP configuration register [DCPCFG]

<Address: 5CH>

15	14	13	12	11	10	9	8	7	6	5	4	3	2	1	0
CNTMD								DIR							
?	?	?	?	?	?	?	0	?	?	?	00	?	?	?	?
?	?	?	?	?	?	?	0	?	?	?	-	?	?	?	?
?	?	?	?	?	?	?	-	?	?	?	0	?	?	?	?
?	?	?	?	?	?	?	0	?	?	?	?	?	?	?	?

Bit	Name	Function	S/W	H/W	Note
15-9	Nothing is placed here. These should be fixed at "0".				
8	CNTMD Continuous transfer mode	0: Non-continuous transfer mode 1: Continuous transfer mode	R/W	R	3.4.1 *1)
7-5	Nothing is placed here. These should be fixed at "0".				
4	DIR Transfer direction	Control transfer direction in the host mode. 0: Receiving (Control read data stage and Control write status stage) 1: Sending (Control write data stage and Control read status stage)	R/W	R	3.6.1 *2)
7-0	Nothing is placed here. These should be fixed at "0".				

<<Notes>>

- *1) Because the DCP buffer memory is used for both control read transfers and control write transfers, the CNTMD bit will serve as the bit common to both, regardless of the transfer direction.
- *2) This bit should be set to "0" in the peripheral mode.

DCP maximum packet size register [DCPMAXP]

<Address: 5EH>

15	14	13	12	11	10	9	8	7	6	5	4	3	2	1	0
DEVSEL								MXPS							
0	0	?	?	?	?	?	?	?	1	0	0	0	0	0	0
0	0	?	?	?	?	?	?	?	1	0	0	0	0	0	0
-	-	?	?	?	?	?	?	?	-	-	-	-	-	-	-
0	0	?	?	?	?	?	?	?	1	0	0	0	0	0	0

Bit	Name	Function	S/W	H/W	Note
15-14	DEVSEL Device select	This specifies the device address for the DCP at Host mode. 00 : Address 0 01 : Address 1 02 : Address 2 03 : Address 3	R/W	R	3.6.1 *3)
13-7	Nothing is placed here. These should be fixed at "0".				
6-0	MXPS Maximum packet size	This specifies the maximum packet size for the DCP.	R/W	R	3.3 *4)

<<Notes>>

- *3) This bit should be set "00" in the peripheral mode.
- *4) This should not be set to anything other than the USB specification. Also, because b2-b0 bits are fixed at "0", writing to these is invalid.

DCP control register [DCPCTR]

<Address: 60H>

15	14	13	12	11	10	9	8	7	6	5	4	3	2	1	0
BSTS	SUREQ	?	?	?	?	?	SQCLR	SQSET	SQMON	?	?	?	CCPL	PID	
0	0	?	?	?	?	?	0	0	1	?	?	?	0	0	0
0	0	?	?	?	?	?	0	0	1	?	?	?	0	0	0
-	-	?	?	?	?	?	-	-	-	?	?	?	0	0	0
0	0	?	?	?	?	?	0	0	1	?	?	?	0	0	0

Bit	Name	Function	S/W	H/W	Note
15	BSTS Buffer Status	0: Buffer access is disabled. 1: Buffer access is enabled.	R	W	3.4.1.1 *5)
14	SUREQ Request to transmit SETUP packet	A SETUP packet is transmitted by setting this bit to 1. 0: Invalid 1: transmit SETUP packet	R/W(1)	R/W(0)	3.6.1 *11)
14-9	Nothing is placed here. These should be fixed at "0".				
8	SQCLR Toggle Bit Clear	0: Invalid 1: Specifies DATA0	R(0)/ W(1)	R	3.3 *7), *8)
7	SQSET Toggle Bit Set	0: Invalid 1: Specifies DATA1	R(0)/ W(1)	R	3.3 *7), *8)
6	SQMON Toggle Bit Confirm	0: DATA0 1: DATA1	R	W	3.3 *9)
5-3	Nothing is placed here. These should be fixed at "0".				
2	CCPL Control Transfer End enabled	0: Invalid 1: The control transfer is ended.	R(0)/ W(1)	R/W(0)	3.6.2 *6)
1-0	PID Response PID	00: NAK response 01: BUF response (in keeping with the buffer state) 10: STALL response 11: STALL response	R/W	R/W	0 3.6 *10)

<<Notes>>

- *5) The direction of buffer access, writing or reading, is depend on setting of ISEL bit.
- *6) In the peripheral mode the CCPL bit is cleared to "0" right after the SETUP token has been received. In the host mode this bit should be set "CCPL=0"(not use).
- *7) If the SQSET bits and the SQCLR bits of the DCPCTR register and the PIPExCTR registers are being changed in succession (the PID sequence toggle bits of multiple pipes are being changed in succession), an access cycle of at least 200 ns is required.
- *8) The SQCLR bit and SQSET bit should not both be set to "1" at the same time. Before operating either bit, "PID=NAK" should be set.
- *9) In the Peripheral mode the SQMON bit is initialized to "1" by the controller right after the SETUP token of the control transfer has been received.
- *10) In the peripheral mode the PID bit is cleared to "00" right after the SETUP token has been received. And at the time of occurring of a transmission error etc., PID bits are set up by the controller and transmission is ended.
- *11) When SUREQ bit is set to 1, it is set to 0 by H/W after SETUP transaction sending out. While the SUREQ bit is 1, do not write in USBREQ, USBVAL, USBINDX, and a USBLENG register.

2.14 Pipe configuration register

The PIPE1-7 settings should be set using the **PIPESEL**, **PIPECFG**, **PIPEBUF**, **PIPEMAXP**, **PIPEPERI**, and **PIPExCTR** registers.

After selecting the pipe using the **PIPESEL** register, set the functions of the pipe using the **PIPECFG**, **PIPEBUF**, **PIPEMAXP** and **PIPEPERI** registers. The **PIPExCTR** register can be set separately from the pipe selection specified with the **PIPESEL** register, with no relation between them.

For an H/W reset, S/W reset, USB bus reset, and when shifting to the low-power sleep state, the pertinent bits for not only the selected pipe, but all of the pipes are initialized.

Pipe window selection register [**PIPESEL**]

<Address: 64H>

15	14	13	12	11	10	9	8	7	6	5	4	3	2	1	0
?	?	?	?	?	?	?	?	?	?	?	?	?	PIPESEL		
?	?	?	?	?	?	?	?	?	?	?	?	?	0	0	0
?	?	?	?	?	?	?	?	?	?	?	?	?	0	0	0
?	?	?	?	?	?	?	?	?	?	?	?	?	-	-	-
?	?	?	?	?	?	?	?	?	?	?	?	?	0	0	0

Bit	Name	Function	S/W	H/W	Note
15-3	Nothing is placed here. These should be fixed at "0".				
2-0	PIPESEL Pipe window selection	000: Not selected 001: Pipe 1 010: Pipe 2 011: Pipe 3 100: Pipe 4 101: Pipe 5 110: Pipe 6 111: Pipe 7	R/W	R	*1)

<<Note>>

*1) When "PIPESEL=000" is set, "0" is read from all of the bits of the five related registers noted above.

Pipe configuration register [PIPECFG]

<Address: 66H>

15	14	13	12	11	10	9	8	7	6	5	4	3	2	1	0
TYPE					BFRE	DBLB	CNTMD	SHTNAK			DIR	EPNUM			
0	0	?	?	?	0	0	0	0	?	?	0	0	0	0	0
0	0	?	?	?	0	0	0	0	?	?	0	0	0	0	0
0	0	?	?	?	-	-	-	-	?	?	-	-	-	-	-
0	0	?	?	?	0	0	0	0	?	?	0	0	0	0	0

Bit	Name	Function	S/W	H/W	Note
15-14	TYPE Transfer type	00: Pipe use disabled 01: Bulk transfer 10: Interrupt transfer 11: Isochronous transfer	R/W	R	3.3 *2)
13-11	Nothing is placed here. These should be fixed at "0".				
10	BFRE BRDY interrupt operation specified	0: BRDY interrupt upon sending or receiving of data 1: BRDY interrupt upon reading of data	R/W	R	3.4.3.6 *3)
9	DBLB Double buffer mode	0: Single buffer 1: Double buffer	R/W	R	3.4.1.5 *4)
8	CNTMD Continuous transfer mode	0: Non-continuous transfer mode 1: Continuous transfer mode	R/W	R	3.4.1.6 *5)
7	SHTNAK Pipe disabled at end of transfer	0: Pipe continued at end of transfer 1: Pipe disabled at end of transfer	R/W	R	3.3
6-5	Nothing is placed here. These should be fixed at "0".				
4	DIR Transfer direction	0: Receiving (OUT transfer) 1: Sending (IN transfer)	R/W	R	
3-0	EPNUM End point number	Specifies the end point number for the pertinent pipe	R/W	R	3.3

<<Notes>>

- *2) By the pipe number selected in the **PIPESEL** bit of a **PIPESEL** register, the value can be set as follows.
When using PIPE1-5, this bit can select "TYPE=00", "TYPE=01", or "TYPE=11".
When using PIPE6-7, this bit should be set "TYPE=10".
- *3) If "BFRE=1" is set, **BRDY** interrupts are not generated when the buffer is set to the data writing direction.
- *4) The **DBLB** bit is valid when PIPE1-5 are selected.
The procedure to change the **DBLB** bit for a PIPE is as following;
 - (a) Single buffer to double buffer ("DBLB=0" to "DBLB="1");
Set the **PID** bit to "NAK" for the pertinent pipe → "ACLRM=1" → (wait at least 100ns) → "ACLRM=0"
→ "DBLB="1" → Set the **PID** bit to "BUF" for the pipe
 - (b) Double buffer to single buffer ("DBLB=1" to "DBLB="0");
Set the **PID** bit to "NAK" for the pertinent pipe → "DBLB="0" → "ACLRM=1" → (wait at least 100ns) →
"ACLRM=0" → Set the **PID** bit to "BUF" for the pipe
- *5) The **CNTMD** bit is valid when bulk transfer ("TYPE=01") is selected using PIPE1-5. "CNTMD=1" should not be set when isochronous transfer has been selected ("TYPE=11").
The **CNTMD** bit should not be set "1" for PIPE6-7.

Pipe buffer setting register [PIPEBUF]

<Address: 68H>

15	14	13	12	11	10	9	8	7	6	5	4	3	2	1	0
BUFSIZE									BUFNMB						
?	0	0	0	0	0	?	?	?	0	0	0	0	0	0	0
?	0	0	0	0	0	?	?	?	0	0	0	0	0	0	0
?	-	-	-	-	-	?	?	?	-	-	-	-	-	-	-
?	0	0	0	0	0	?	?	?	0	0	0	0	0	0	0

Bit	Name	Function	S/W	H/W	Note
15		Nothing is placed here. This should be fixed at "0".			
14-10	BUFSIZE Buffer Size	Specifies the size of the pertinent pipe. (from 0: 64 bytes to 0x1F: 2KB)	R/W	R	3.4.1 *6)
9-7		Nothing is placed here. These should be fixed at "0".			
6-0	BUFNMB Buffer Number	Specifies the buffer number for the pertinent pipe.(From 0x4 to 0x5F)	R/W	R	3.4.1 *7)

<<Notes>>

- *6) The valid value for the **BUFSIZE** bit depends on the selected PIPE by the **PIPESEL** bit of the **PIPESEL** register. When using PIPE1-5, this bit can select "BUFSIZE=00-1F" When using PIPE6-7, writing to this bit is invalid.
- *7) The **BUFNMB** bit can be set to match the user system when PIPE1-5 are selected. "BUFNMB=0-3" is used exclusively for the DCP. "BUFNMB=4-5" is allocated to PIPE6-7. When using PIPE6, writing to this bit is invalid, and "BUFNMB=4" is always used for reading. When using PIPE7, writing to this bit is invalid, and "BUFNMB=5" is always used for reading.

Pipe maximum packet size register [PIPEMAXP]

<Address: 6AH>

15	14	13	12	11	10	9	8	7	6	5	4	3	2	1	0
DEVSEL		MXPS													
0	0	?	?	?	0	0	0	0	0(1)*9)	0	0	0	0	0	0
0	0	?	?	?	0	0	0	0	0(1)	0	0	0	0	0	0
-	-	?	?	?	-	-	-	-	-	-	-	-	-	-	-
0	0	?	?	?	0	0	0	0	0(1)	0	0	0	0	0	0

Bit	Name	Function	S/W	H/W	Note
15	DEVSEL Device select	This specifies the device address for the DCP in the Host mode. 00 : Address 0 01 : Address 1 02 : Address 2 03 : Address 3	R/W	R	*8)
14		Nothing is placed here. These should be fixed at "0".			
10-0	MXPS Maximum Packet Size	Specifies the maximum packet size for the pertinent pipe.	R/W	R	3.3 *9), *10)

<<Note>>

- *8) This bit should be set "00" in the peripheral mode.
- *9) The **MXPS** bit should be set to "0x00", or the setting defined by the USB specification should be used.
- *10) The default value of **MXPS** bit is "0x0" when "PIPESEL=0", and "0x40" when select "PIPESEL>0".

Pipe timing control register [PIPEPERI]

<Address: 6CH>

15	14	13	12	11	10	9	8	7	6	5	4	3	2	1	0
			IFIS											IITV	
?	?	?	0	?	?	?	?	?	?	?	?	?	0	0	0
?	?	?	0	?	?	?	?	?	?	?	?	?	0	0	0
?	?	?	-	?	?	?	?	?	?	?	?	?	-	-	-
?	?	?	0	?	?	?	?	?	?	?	?	?	0	0	0

Bit	Name	Function	S/W	H/W	Note
15-13	Nothing is placed here. These should be fixed at "0".				
12	IFIS Isochronous IN buffer flush	0: The buffer is not flushed. 1: The buffer is flushed.	R/W	R	3.9.5
11-3	Nothing is placed here. These should be fixed at "0".				
2-0	IITV Interval error detection spacing	Specifies the interval timing as IITV-th power of 2.	R/W	R	3.9.3 *11)

<<Note>>

- *11) In the peripheral mode the IITV bit is valid only when isochronous transfer is selected. It can be set only when PIPE1-2 are selected.
For OUT-direction: An interval error occurs upon a **NRDY** interrupt caused by a token not having been issued.
For IN-direction: When the controller doesn't receive IN-token until the time indicated by IITV bit, it detects an interval error and flushes the buffer.

In the host mode the IITV bit is valid only when isochronous and interrupt transfer is selected. The IITV bit controls the interval of a transaction.

PIPE1 control register [PIPE1CTR] <Address: 70H>
 PIPE2 control register [PIPE2CTR] <Address: 72H>
 PIPE3 control register [PIPE3CTR] <Address: 74H>
 PIPE4 control register [PIPE4CTR] <Address: 76H>
 PIPE5 control register [PIPE5CTR] <Address: 78H>
 PIPE6 control register [PIPE6CTR] <Address: 7AH>
 PIPE7 control register [PIPE7CTR] <Address: 7CH>

15	14	13	12	11	10	9	8	7	6	5	4	3	2	1	0
BSTS	INBUFM	?	?	?	?	ACLRM	SQCLR	SQSET	SQMON	?	?	?	?	PID	
0	0	?	?	?	?	0	0	0	0	?	?	?	?	0	0
0	0	?	?	?	?	0	0	0	0	?	?	?	?	0	0
-	-	?	?	?	?	-	-	-	-	?	?	?	?	0	0
0	0	?	?	?	?	0	0	0	0	?	?	?	?	0	0

Bit	Name	Function	S/W	H/W	Note
15	BSTS Buffer Status	0: Buffer access is disabled. 1: Buffer access is enabled.	R	W	3.4.1.1 *12)
14	INBUFM Sending buffer status monitor	0: No data which can be transmitted in a buffer 1: The data which can be transmitted is in a buffer memory.	R	W	3.4.1.1 *13), *14)
13-10	Nothing is placed here. These should be fixed at "0".				
9	ACLRM Auto Buffer Clear mode	0: Disabled 1: Enabled (all buffers are initialized)	R(0)/ W(1)	R/W(0)	3.4.1.4 *15)
8	SQCLR Toggle Bit Clear	0: Invalid 1: Specifies DATA0	R(0)/ W(1)	R	3.3*16), *17)
7	SQSET Toggle Bit Set	0: Invalid 1: Specifies DATA1	R(0)/ W(1)	R	3.3 *16), *17)
6	SQMON Toggle Bit Confirm	0: DATA0 1: DATA1	R	W	3.3
5-2	Nothing is placed here. These should be fixed at "0".				
1-0	PID Response PID	00: NAK response 01: BUF response (in keeping with the buffer state) 10: STALL response 11: STALL response	R/W	R/W	3.3 0 *18)

<<Notes>>

- *12) The direction of buffer access, writing or reading, is depend on setting of the DIR bit of the PIPECFG register.
- *13) The INBUFM bit is valid when software sets the DIR bit to Sending-direction.
- *14) The INBUFM bit is valid for PIPE1-5.
- *15) Software should not set "ACLRM=1" for the PIPE which selected by the CURPIPE bit of the CFIFOSEL, DxFIFOSEL register. After "ACLRM=1", when setting up "ACLRM=0", Software need to wait at least 100ns.
- *16) If the SQCLR bits and the SQSET bits of the DCPCTR register and the PIPExCTR registers are being used to change the data PID sequence toggle bit for several pipes in succession, an access cycle of at least 200 ns is required.
- *17) The SQCLR bit and SQSET bit should not both be set to "1" at the same time. Before operating either bit, "PID=NAK" should be set.
- *18) The operation is as follows, when setting up PID=BUF.
 Host mode and the transmitting direction (OUT).
 A transaction is issued when there is transmitting data in a buffer.
 A transaction is not issued when there is no transmitting data in a buffer.
 Host mode and the receiving direction (IN).
 A transaction is issued when there is no receiving data in a buffer.
 A transaction is not issued when there is receiving data in a buffer.
 Peripheral mode and the transmitting direction (OUT).
 A ACK response and receiving a data , when there is no receiving data in a buffer.
 A NAK response is carried out to a token, when there is a receiving data in a buffer.
 Peripheral mode and the receiving direction (IN).
 A Data is transmitted to a IN token.
 A NAK response is carried out to a IN token, when there is a transmitting data in a buffer.
 And at the time of occurring of a transmission error etc., PID bits are set up by the controller and transmission is ended.

3 Description of Operation

3.1 System control and oscillation control

This chapter describes the register operations that are necessary to the default settings of the controller, and the registers necessary for power consumption control.

3.1.1 Resets

Table 3.1 shows a table of controller resets. For information on the initialized states of the registers following the various reset operations, please refer to Chapter 2, Registers.

Table 3.1 Types of Resets

Name	Operation
H/W reset	"L" level input from the RST_N pin
S/W reset	Operation using the USBE bit of the SYSCFG register
USB bus reset	Automatically detected by the controller from the D+ and D- lines in the Peripheral mode

3.1.2 Bus interface settings

Table 3.2 shows the bus interface settings for the controller.

Table 3.2 Bus interface settings

Register name	Bit name	Setting contents
PINCFG	LDRV	Control setting for the drive current
PINCFG	BIGEND	Byte Endian setting for the CPU being connected This bit is effective in access to a FIFO register
DMAxCFG	DREQA	Active setting for the DREQx_N pin
DMAxCFG	DACKA	Active setting for the DACKx_N pin
DMAxCFG	DENDA	Active setting for the DENDx_N pin
DMAxCFG	OBUS	OBUS mode setting
INTENB1	INTL	Output sensing setting for the INT_N pin

3.1.3 Selection of the function

This controller can select either a Host function or a Peripheral function by software. To select USB function for the controller, set the **DCFM** bit of the **SYSCFG** register. Changing the **DCFM** bit (writing access) should be done with the internal clock stopped ("SCKE=0").

3.1.4 Enabling Hi-Speed operation

With this controller, either Hi-Speed operation or Full-Speed operation can be selected as the USB communication speed (communication bit rate), using software. To enable Hi-Speed operation for the controller, set the **HSE** bit of the **SYSCFG** register to "1". Changing the **HSE** bit should be done with the internal clock stopped ("SCKE=0").

If Hi-Speed operation has been enabled, the controller executes the reset handshake protocol, and the USB communication speed is set automatically. The results of the reset handshake can be confirmed using the **RHST** bit of the **DVSTCTR** register.

If Hi-Speed operation has been disabled, the controller will use Full-Speed operation.

3.1.5 USB data bus resistor control

Figure 3.1 shows a diagram of the connections between the controller and the USB connectors.

For the Peripheral mode, the controller has a built-in pull-up resistor for the D+ signal. "1" should be set for the **DPRPU** bit of the **SYSCFG** register, then the D+ line is pulled up. The pull-up power supply is **AFE33V**.

For the Host mode, the controller has a built-in pull-down resistor for the D+ and D- signals. "1" should be set for the **DPRPD** bit of the **SYSCFG** register, then the D+ and D- lines are pulled down.

Also, the controller has a built-in terminal resistor for use when the D+ and D- signals are operating at Hi-Speed, and a built-in output resistor for Full-Speed operation. The controller automatically switches the built-in resistor after connection with the PC, by means of reset handshake, suspended state and resume detection. If a disconnection from the PC is detected, the H/W should be initialized by means of an S/W reset (USBE=0).

If "0" is set for the **DPRPU** bit of the **SYSCFG** register in the Peripheral mode, the pull-up resistor (or the terminal resistor) of the USB data line is disabled, making it possible to notify the host controller of the device disconnection.

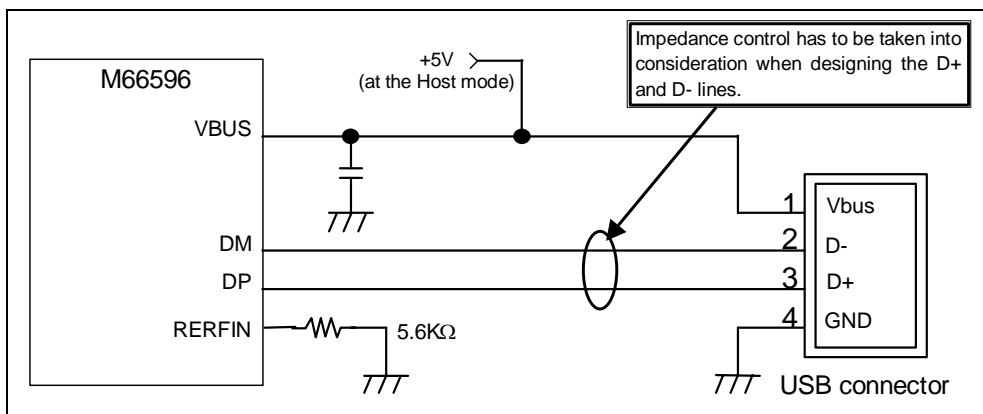


Figure 3.1 UBS connector connections

3.1.6 Clock supply control

Figure 3.2 shows a block diagram of the controller clock control. Frequency of the input clock for the XIN pin should be selected using the **XTAL** bit of the **SYSCFG** register, while the oscillation buffer is enabled using the **XCKE** bit and the clock supply is controlled using the **RCKE**, **PLL**, and **SCKE** bits. For information on the register control timing, please refer to 3.1.8, State transition timing.

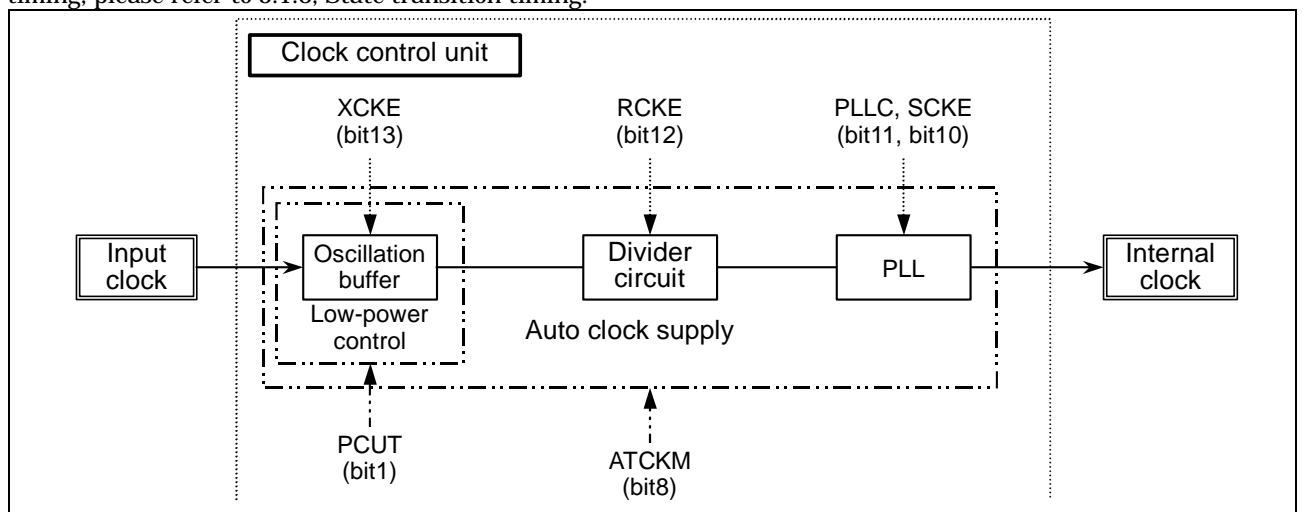


Figure 3.2 Clock control block

3.1.7 Low power consumption control

3.1.7.1 Overview of Low-power sleep state

In order to reduce power consumption, the controller is equipped with a function for setting a low-power sleep state.

Controlling the clock and the low-power sleep state enables reduced power consumption when communication is not being carried out, such as in the suspended state or disconnected state. In order to coordinate the relationship between the controller clock supply being enabled and disabled in low-power sleep state, the values shown in Table 3.3 indicate the correspondence between the controller state and the value of the **SYSCFG** register, while Figure 3.3 shows the transitions in the controller state.

For the timing at which the transitions between the various states take place, and the register control timing, please refer to 3.1.8 .

Table 3.3 Correspondence between the controller state and SYSCFG register value

Controller state	Values of the various SYSCFG register bits	Explanation
H/W reset	XTAL=0, XCKE=0, RCKE=0, PLLC=0, SCKE=0, ATCKM=0, HSE=0, DPRPD=0, DPRPU=0, FSRPC=0, PCUT=0, USBE=0	
Normal operating state	XTAL=xx *1), XCKE=1, RCKE=1, PLLC=x *1), SCKE=1, ATCKM=x *1), HSE=x *1), DPRPD=x*1), DPRPU=x *1), FSRPC=x *1), PCUT=0, USBE=1	In this state, the clock is supplied to the controller, and USB communication is enabled.
Low-power sleep state	XTAL=xx *1), XCKE=0, RCKE=0, PLLC=0, SCKE=0, ATCKM=x *1), HSE= x *1), DPRPD=x*1), DPRPU=x *1), FSRPC=x *1), PCUT=1, USBE=1	In this state, USB communication is not carried out, such as when communication is suspended or a cable is disconnected.

*1) x indicates that the value is set by the user is retained.

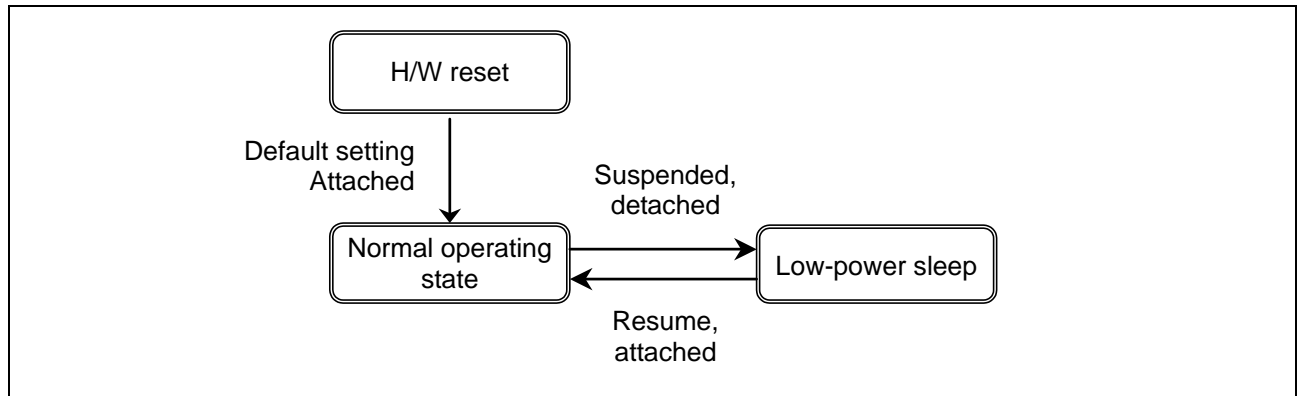


Figure 3.3 Controller state transitions (using low-power sleep state)

At the Hsot mode, if Remote Wake Up signal is received when suspend state, it is necessary to supply an internal clock (**SCKE**) within 1ms after signal detection, and to start a resume signal output. For this reason, when you enable Remote Wake Up , do not stop the internal clock, and a setup of a Low-power sleep state.

3.1.7.2 Overview of Clock stop state

This controller is equipped with the setting function of the low power consumption state by clock stop as well as M66291, M66591, and M66592. Software is transplantable for this controller from M66291, M66591, and M66592 by fewer changes.

In the states where the controller is not communicating such as suspend and a not connect state, low power consumption by clock stop is realized. Correspondence of the state of the controller and the value of a **SYSCFG** register is shown in Table 3.4. The transitions in the controller state is shown in Figure 3.4. For the timing at which the transitions between the various states take place, and the register control timing, please refer to 3.1.8.

Moreover, when you use the low power consumption state by clock stop, please use the auto clock supply function ("ATCKM=1").

Table 3.4 Correspondence between the controller state and SYSCFG register value

Controller state	Values of the various SYSCFG register bits	Explanation
H/W reset	XTAL=00,XCKE=0,RCKE=0,PLL0=0,SCKE=0,ATKCM=0,HSE=0,DPRPU=0,FSRPC=0,PCUT=0,USB E=0	
Normal operating state	XTAL=xx *1),XCKE=1,RCKE=1,PLL0=x *1),SCKE=1,ATCKM=1,HSE=x *1),DPRPD=x*1),DPRPU=x*1),FSRPC=x,PCUT=0, USBE=1	In this state, the clock is supplied to the controller, and USB communication is enabled.
Clock stop state	XTAL=xx *1),XCKE=0,RCKE=0,PLL0=0,SCKE=0,ATCKM=1 ,HSE= x *1),DPRPD=x*1),DPRPU=x*1),FSRPC=x*1),PCUT =0,USB E=1	In this state, USB communication is not carried out, such as when communication is suspended or a cable is disconnected.

*1) x indicates that the value is set by the user is retained.

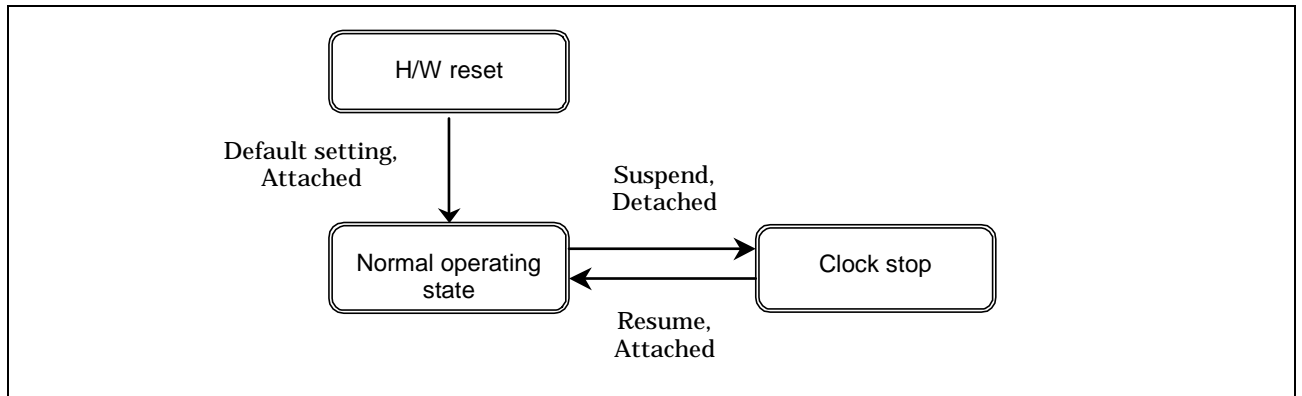


Figure 3.4 Controller state transitions(Clock stop mode)

3.1.7.3 Low-power sleep state

The low-power sleep state is set by setting "1" for the **PCUT** bit of the **SYSCFG** register. For information on the sequence in which settings are entered for the low-power sleep state, please refer to Chapter 3.1.8.2, and for information on register control timing, please refer to the timing diagram noted later (Figure 3.6 Low-power control timing diagram).

In the low-power sleep state, of the registers set by software, only registers other than those noted below are initialized. After returning to the normal operating state, the settings must be re-entered using software. Table 3.5 shows the registers that are not initialized when the controller is in the low-power sleep state.

Table 3.5 Registers that are not initialized in the low-power sleep state

Register	Bit	Description
SYSCFG	XTAL	This is retained as system information.
	ATCKM	This is retained as system information.
	HSE	This is retained as system information.
	DCFM	This is retained as system information.
	DMRPD	This is retained as system information.
	DPRPU	This is retained as system information.
	FSRPC	This is retained as system information.
	USBE	This is retained as system information.
PINCFG	LDRV	The state of the output pin drive current settings is retained.
DMAxCFG	DREQA	The polarity of the DREQ0_N pin and the DREQ1_N pin are retained.
INTENB0/ INTSTS0	VBSE / VBINT	When "VBSE=1", if there was any change to the VBUS signal in the low-power sleep state, the INT_N pin is asserted and notification is made to the CPU.
	RSME / RESM	When "RSME=1", if there was any change to the USB data bus in the low-power sleep state, the INT_N pin is asserted and notification is made to the CPU.
INTENB1/ INTSTS1	BCHGE / BCHG	When "BCHGE=1", if there was any change to the USB data bus in the low-power sleep state, the INT_N pin is asserted and notification is made to the CPU.

3.1.7.4 Recovering from the low-power sleep state

If any of the events noted below occurs from the low-power sleep state, the controller notifies the CPU through the INT_N pin. The interrupt factor related to those events should be enabled, before software sets the controller to the low-power sleep state.

- VBUS detection : If a change in the VBUS pin was detected in the low-power sleep state
- RESUME detection : If a change in the state of the USB bus (J-State to K-State or SE0) was detected when the state shifted from the suspended state to the low-power sleep state in the Peripheral mode.
- BUS CHANGE detection : If a change in the state of the USB bus was detected when the state to the low-power sleep state state during the suspended state

When the PCSE bit of INTENB1 register is set to "0", the low-power sleep state is also canceled by the operations noted below, and the controller returns to the normal operating state.

Dummy writing to the 0x7E address of the controller (no actual writing is done to this address).

When the system has returned from the low-power sleep state to the normal state, some of the controller registers need to be returned to the values in effect prior to the transition to the low-power sleep state. Of the registers for which the settings have to be returned, special registers are available that are used for re-setting data in the read-only registers.

Table 3.6 shows the re-settings for the read-only registers for which the settings have to be returned.

Table 3.6 Re-settings for read-only registers for which settings have to be returned

Register	Bit	Method for re-setting registers
DVSTCTR	RHST	Setting the USB communication speed and device state using the STSRECOV bit of the RECOVER register before shifting to the low-power sleep state recovers the values for the RHST bit and DVSQ bit.
INTSTS0	DVSQ	
RECOVER	USBADDR	The USB device address prior to the shift to the low-power sleep state is set in the USBADDR bit of the RECOVER register.
PIPEXCTR	SQMON	The sequence toggle bits for the various pipes prior to the low-power sleep state are set using the SQSET bit or the SQCLR bit of PIPEXCTR. *1)

*1) The SQMON bit of the DCPCTR register is initialized when the SETUP stage ends, so it is not necessary to return to the state in effect prior to the normal operating state.

3.1.7.5 Recovering from the clock stop state

If any of the events noted below occurs from the clock stop state, the controller notifies the CPU through the INT_N pin. The interrupt factor related to those events should be enabled, before software sets the controller to the clock stop state.

- VBUS detection : If a change in the VBUS pin was detected in the clock stop state.
- RESUME detection : In the suspended state of Peripheral mode if a change in the state of the USB bus (J-State to K-State/SE0) was detected.
- BUS CHAGE detection : If a change in the state of the USB bus was detected. It is used when detecting attach a peripheral , detach a perripheral, and Remote Wake Up in the Host mode.

3.1.7.6 Auto clock supply function

This controller is equipped with an auto clock supply function. With the auto clock supply function, the controller automatically implements a series of sequence control operations, from the oscillation stabilization standby timing to the supply of the internal clock, when the system is returning from the low-power sleep state or from the clock stop mode to the normal operating state. This function is enbaled by setting "1" for the ATCKM bit of the SYSCFG register and following events are occur.. For information on specific register control, please refer to Chapter 3.1.8.3 .

- RESUME detection
In the suspended state of Peripheral mode if a change in the state of the USB bus (J-State to K-State/SE0) was detected.
- If Software set "XCKE=1" of SYSCFG register.

3.1.7.7 Oscillation enable by Hardware

In the following cases, this controller enables an oscillation automatically ("XCKE=1"). By using in accordance with an automatic clock supply function, timing design is easy.

- RESUME detection
In the suspended state of Peripheral mode if a change in the state of the USB bus (J-State to K-State/SE0) was detected.
- Return from the low-power sleep state

3.1.8 State transition timing

3.1.8.1 Starting the internal clock supply (from the H/W reset state to the normal operating state)

Figure 3.5 shows a diagram of the clock supply start control timing of the controller. The transition from the H/W reset state to the normal operating state should be done through operation of the bits at the timing noted below.

- (1) Software enables the oscillation buffer. "XCKE=1"
- (2) Software waits for oscillation to stabilize. (The oscillation stabilization time varies depending on the oscillator.)
- (3) Software enables the reference clock suppliance and the PLL operation "RCKE=1", "PLLC=1"
- (4) Software waits for the PLL to lock. (A waiting time of at least 8.3 us is necessary.)
- (5) Software enables the internal clock suppliance. "SCKE=1"

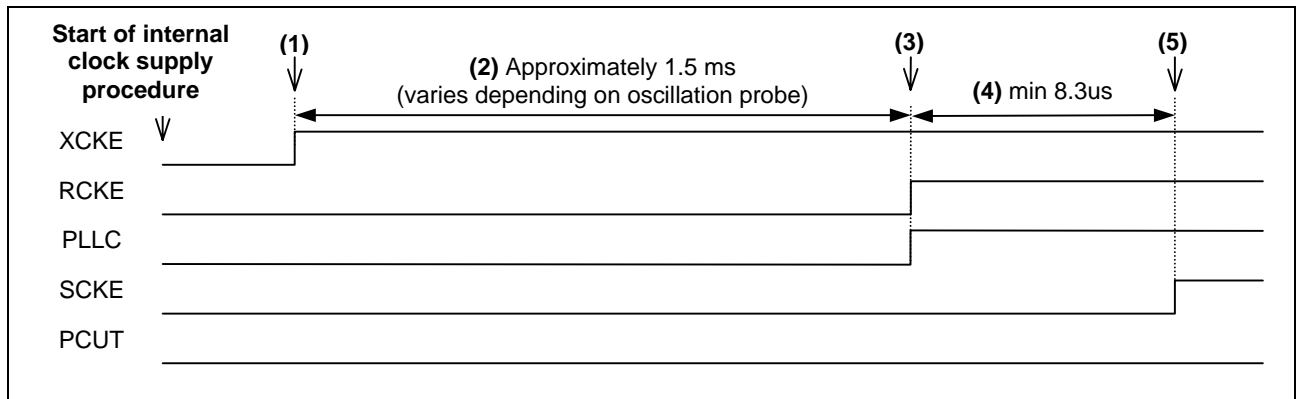


Figure 3.5 Clock supply start control timing

3.1.8.2 Stopping the internal clock supply (from the normal operating state to the low-power sleep state)

Figure 3.6 shows a diagram of the low-power control timing from the normal operating state to the low-power sleep state. The transition from the normal operating state to the low-power sleep state should be done through operation of the bits at the timing noted below.

- (1) Software disables the internal clock suppliance. "SCKE=0"
- (2) Software waits until the internal clock stops. (A waiting time of at least 300 ns is necessary.)
- (3) Software disables the PLL. "PLLC=0"
- (4) Software waits for the PLL to stop. (A waiting time of at least 300 ns is necessary.)
- (5) Software disables reference clock suppliance. "RCKE=0"
- (6) Software waits until the reference clock stops. (A waiting time of at least 300 ns is necessary.)
- (7) Software sets the bit for low-power sleep state. "PCUT=1"
- (8) The controller disables the oscillation buffer. "XCKE=0(H/W)" *1)

*1) The software must not set the XCKE bit to "0".

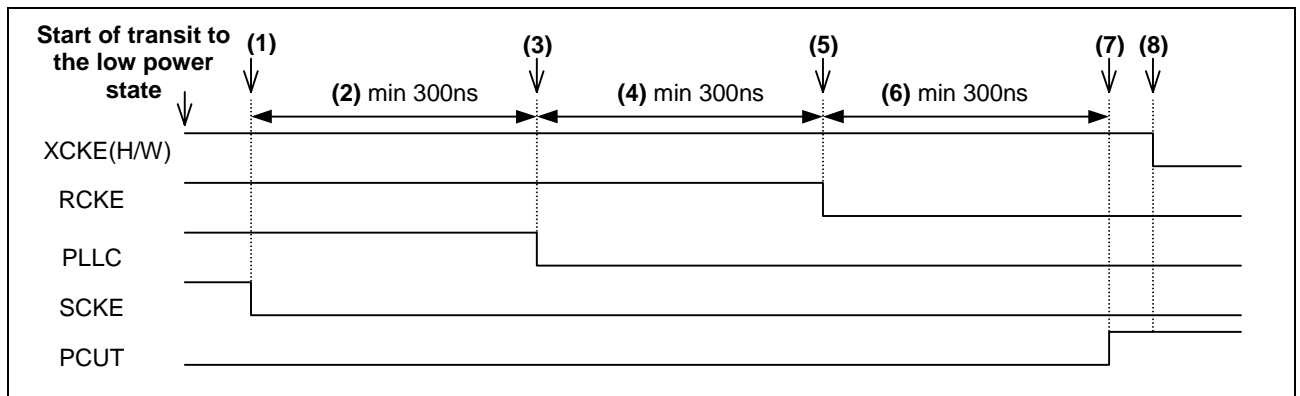


Figure 3.6 Transition control timing to the low-power sleep state

3.1.8.3 Starting the internal clock supply (from the low-power sleep state to the normal operating state: Auto clock supply function enabled)

Figure 3.7 shows a diagram of the timing at which the transition from the low-power sleep state to the normal operating state takes place when the auto clock supply function is enabled (“ATCKM=1”). When the auto clock supply function is enabled, the controller carries out register control, so after an interrupt is generated, the transition to the normal operating state is completed simply by waiting for the amount of time that access is disabled. No operation of the registers using the software is necessary.

In the Peripheral mode when operation has been resumed from the suspended state using the USB Bus Reset signal, it is necessary to recover to the normal operating state within 3 ms after the data line change has been detected so that the controller can begin the reset handshake protocol. When the auto clock supply function is enabled, the controller waits automatically for oscillation to stabilize and then carries out clock supply control and handles the reset handshake. Because there is a signal output time of 10 ms for the USB Bus Reset signal and of 20 ms for the Resume signal, the control program is provided with plenty of allowance to process the recovery to the normal state.

The recovery sequence when the auto clock supply function is enabled is as shown below.

- (1) An interrupt is generated to recover from the low-power sleep state, and the **INT_N** pin is asserted.
(Or, the control program writes dummy data to the 0x7E address to cause the controller to recover.)
 - (2) At the same time, the controller automatically enables the oscillation buffer. "XCKE=1(H/W)"
 - (3) The software directs the system to wait until access is enabled. (A waiting time of at least 2.5 ms is necessary.)
 - (4) The controller automatically enables **RCKE**, **PLLC**, and **SCKE**.
 - (5) The software resets the registers that have been in the held state before going into the low-power sleep state.
- *1) In the Peripheral mode when the system has recovered from the low-power sleep state to the normal operating state, the USB communication speed and the device state recovery settings have to be set in the **STSRECOV** bit of the **RECOVER** register, and the USB address in the **USBADDR** bit of that register, for recovery to take place. If the auto clock supply function has been enabled, however, the recovery settings for the above bits should be entered after the **DVSQ** bit has been confirmed. This is because, if recovery has been made using the USB Bus Reset signal, there is a possibility that the controller has initialized the device state and the USB address to the default state, in which case rewriting the register values to the waiting state will cause erroneous operation.

The recovery settings are written to the **RECOVER** register using the procedure outlined below.

- If “DVSQ=000”, recovery is made by a method other than the USB Bus Reset signal. The USB communication speed, device state, and USB address should be returned to the state they were in prior to shifting to the low-power sleep state, by writing to the **RECOVER** register.
- If “DVSQ=001”, recovery is made using the USB Bus Reset signal. The recovery settings should not be entered by writing to the **RECOVER** register.

Also, in the low-power sleep state, there are registers that are initialized by the controller. When recovery has been made to the normal operating state, the initialized registers should be reset to match the user system.

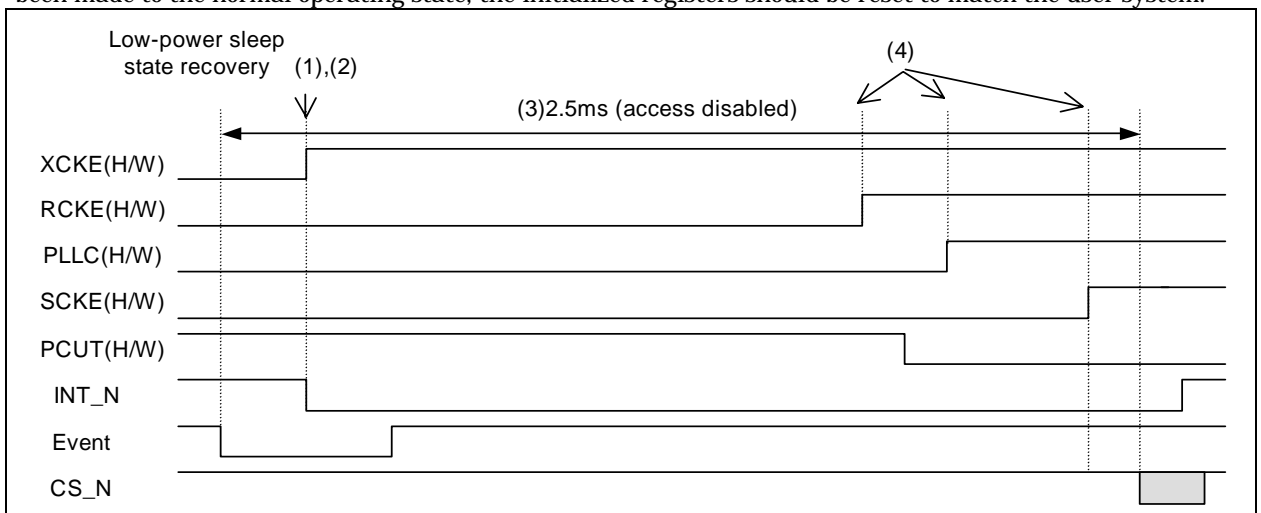


Figure 3.7 Recovery control timing from the low-power sleep state with “ATCKM=1”

3.1.8.4 Stopping the internal clock supply (From a normal operating state to clock stop state)

The timing diagram of the transition from the normal operation state to the clock stop state of the controller is shown in Figure 3.8. The transitions should be operated according to the following sequence.

- (1) Software disables the internal clock suppliance. "SCKE=0"
- (2) Software waits until an internal clock stops. (A waiting time of at least 300 ns is necessary.)
- (3) Software disables the PLL. "PLLC=0"
- (4) Software waits for the PLL to stop. (A waiting time of at least 300 ns is necessary.)
- (5) Software disables reference clock suppliance. "RCKE=0"
- (6) Software waits until the reference clock stops. (A waiting time of at least 300 ns is necessary.)
- (7) Software disables the oscillation buffer. "XCKE=0"

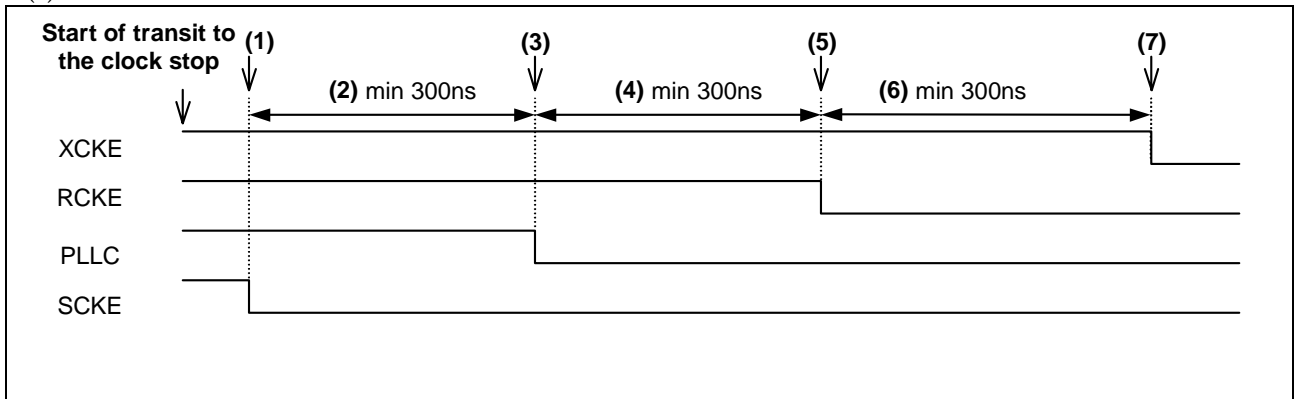


Figure 3.8 Transition control timing to the clock stop state

3.1.8.5 Starting the internal clock supply (From the clock stop state to the normal operating state: with "ATCKM=1")

The timing diagram from the clock stop state to the normal operation state is shown in Figure 3.9. The timing diagram is in the case of the auto clock supply function is enabled ("ATCKM=1"; recommended setting).

In this case, the controller operates registers when resume signal is detected. The controller changes to the normal operation state by waiting for access prohibition time after resume interruption is generated. The register operation by software is not required. If VBUS interrupt is occurs, the softwar need to enable the oscillation buffer

- (1) The controller detects the resume signal or VBUS changes on a USB bus, and the INT_N pin is asserted.
- (2) When resume signal is received, the controller automatically enables the oscillation buffer. "XCKE=1(H/W)"
When VBUS change occurs, the softwar needs to enable the oscillation buffer. "XCKE=1."
- (3) The softwar waits until access is enabled. (A waiting time of at least 2.5 ms is necessary.)
- (4) The controller automatically enables RCKE, PLLC, and SCKE during (3).
- (5) Software performs resume processing depending on the interrupt factor, resume or attachment.

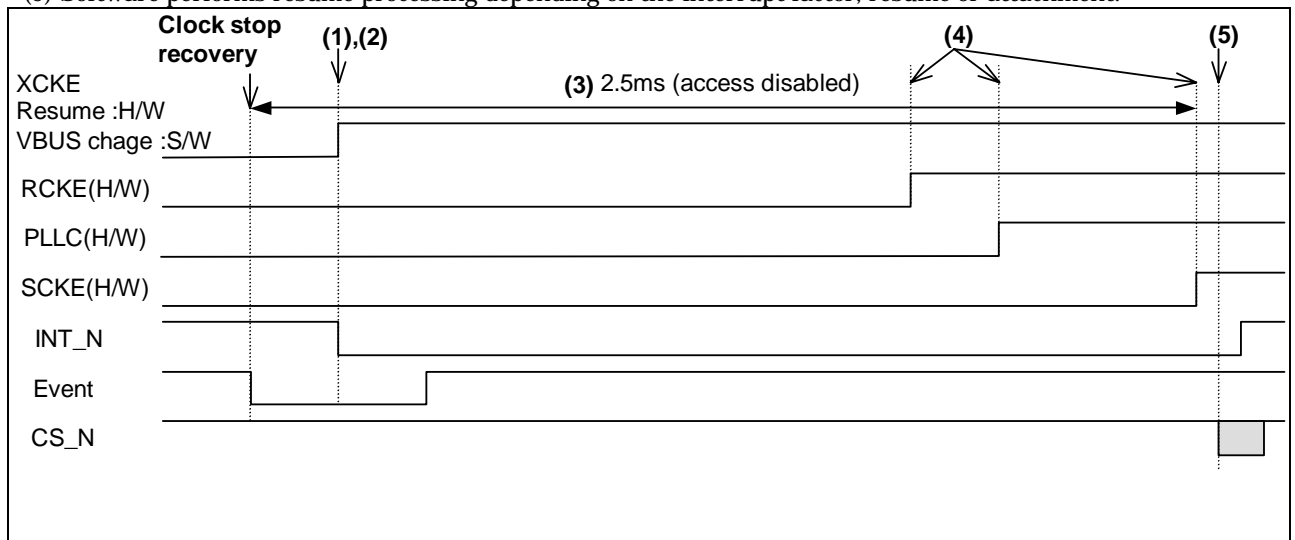


Figure 3.9 Recovery control timing from the clock stop state with "ATCKM=1"

**3.1.8.6 Starting the internal clock
(From the clock stop state to the normal operating state : with “ATCKM=0”)**

The timing diagram from the clock stop state to the normal operation is shown in Figure 3.10. The diagram is in the case of the auto clock supply function is disabled ("ATCKM=0"). When the auto clock supply function is disabled, register control is performed by software. Software should operate registers according to the following sequence.

- (1) The controller detects the resume on a USB bus or attachment of the USB cable, and the INT_N pin is asserted.
- (2) When the resume is detected, the controller automatically enables the oscillation buffer. "XCKE=1(H/W)"
When attachment of USB cable is detected, software enables the oscillation buffer. "XCKE=1(S/W)"
- (3) The software waits for oscillation to stabilize. *1) (The oscillation stabilization time varies depending on the oscillator.)
- (4) The software enables the reference clock supply and the PLL operation "RCKE=1", "PLLC=1"
- (5) The software waits for the PLL to lock. (A waiting time of at least 8.3 us is necessary.)
- (6) The software enables the internal clock supply. "SCKE=1"
- (7) Software performs depending on the interrupt factor, resume or attachment.

*1) When it returns with a USB bus reset signal from the suspend state, it is necessary to return to the normal operation state less than 3ms and the controller start a reset handshake protocol. For this reason, when an auto clock supply function is disabled, it is necessary to perform a processing to oscillation stability waiting and clock supply by software within 3ms.

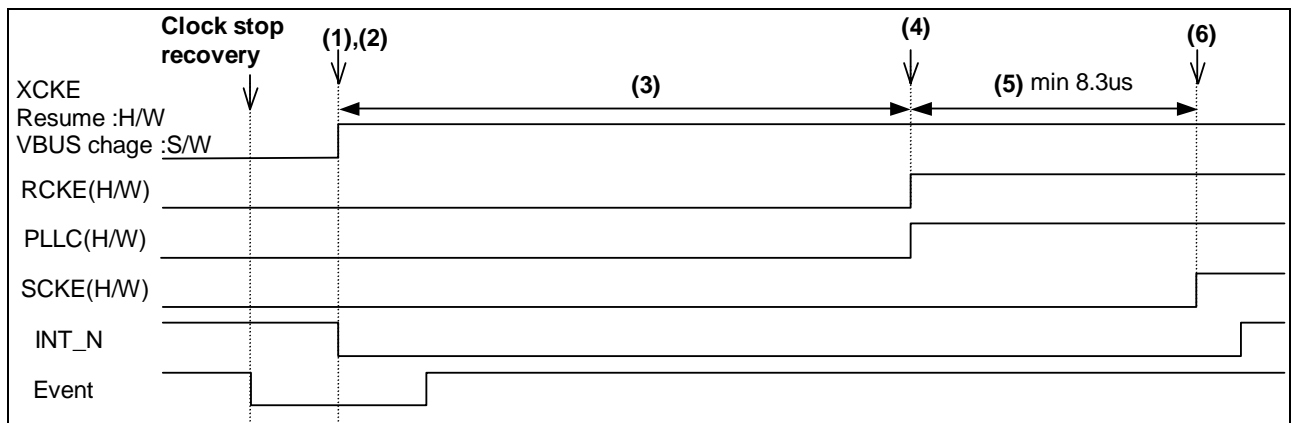


Figure 3.10 Recovery control timing from the clock stop state with “ATCKM=0”

3.2 Interrupt functions

3.2.1 An overview of interrupt functions

Table 3.7 shows the interrupt functions of the controller.

Table 3.7 Interrupt functions

Bit	Interrupt name	Cause of interrupt	Mode	Related status	Note
VBINT	VBUS interrupt	When a change in the state of the VBUS input pin has been detected (change in both edge, "L"→"H", "H"→"L")	Host, Peripheral	VBSTS	3.2.9
RESM	Resume interrupt	When a change in the state of the USB bus has been detected in the suspended state (J-State→K-State or J-State→SE0)	Peripheral	-	3.2.10
SOFR	Frame No. Refresh interrupt	<Host mode> When an SOF packet with a different frame number has been transmitted <Peripheral mode> When "SOFRM=0" : When an SOF packet with a different frame number When "SOFRM=1" : When the controller detects a corruption of an SOF packet	Host, Peripheral	-	3.2.8
DVST	Device State Transition interrupt	When a device state transition has been detected USB bus reset detected Suspend state detected Set Address request received Set Configuration request received	Peripheral	DVSQ	3.2.6
CTRT	Control Transfer Stage Transition interrupt	When a stage transition has been detected in a control transmission Setup stage completed Control write transfer status stage transition Control read transfer status stage transition Control transfer completed Control transfer sequence error occurred	Peripheral	CTSQ	3.2.7
BEMP	Buffer Empty interrupt	When transmission of all of the data in the buffer memory has been completed When an excessive maximum packet size error has been detected	Host, Peripheral	PIPEBE MP	3.2.5
NRDY	Buffer Not Ready interrupt	<Host Mode> When a STALL token received from a peripheral. When the response from abc is unreceivable(Packet ignore). <Peripheral mode> When an IN token has been received and there is no data that can be sent to the buffer memory When an OUT token has been received and there is no area in which data can be stored in the buffer memory, so reception is not possible When a CRC error or bit stuffing error occurred in isochronous transfer	Host, Peripheral	PIPEN RDY	3.2.4
BRDY	Buffer Ready interrupt	When the buffer is ready (reading or writing is enabled)	Host, Peripheral	PIPEB RDY	3.2.3
BCHG	USB bus change interrupt	When a USB bus state changes. Please do not enable interruption during communication (at the time of "UACT=1" setup). The bus change interruption is generated whichever it has chosen of Host and Peripheral mode.	Host, Peripheral	-	3.2.11
SACK	Setup Transaction complete	When the ACK packet from peripheral device is received at the time of sending setup transaction at Host mode.	Host	-	3.2.13
SIGN	Setup Transaction Error detect	When the ACK packet from peripheral device is not received at the time of sending setup transaction at Host mode.	Host	-	3.2.14

DTCH	Full-Speed detach detect	When Host mode, interruption can be generated when peripheral device is detached at the time of Full-Speed mode. Please perform detach detection by S/W, such as detecting ignore packet from peripheral device at the time of Hi-Speed mode.	Host	-	3.2.12
------	--------------------------	---	------	---	--------

Table 3.8 shows the INT_N pin operations of the controller. If multiple interrupt causes have occurred, the method used for INT_N pin output can be set using the INTL bit of the INTENB1 register. The operation setting for the INT_N pin should be set to match the user system.

Table 3.8 INT_N pin operations

INTL setting	When one interrupt cause occurred	When multiple interrupt causes occurred
Edge sensing ("INTL=0")	"L" level output until the cause has been eliminated	When one cause is eliminated, the 32 clock time is negated ("H" pulse output) at 48 MHz.
Level sensing ("INTL=1")	"L" level output until the cause has been eliminated	"L" level is output until all of the causes have been eliminated.

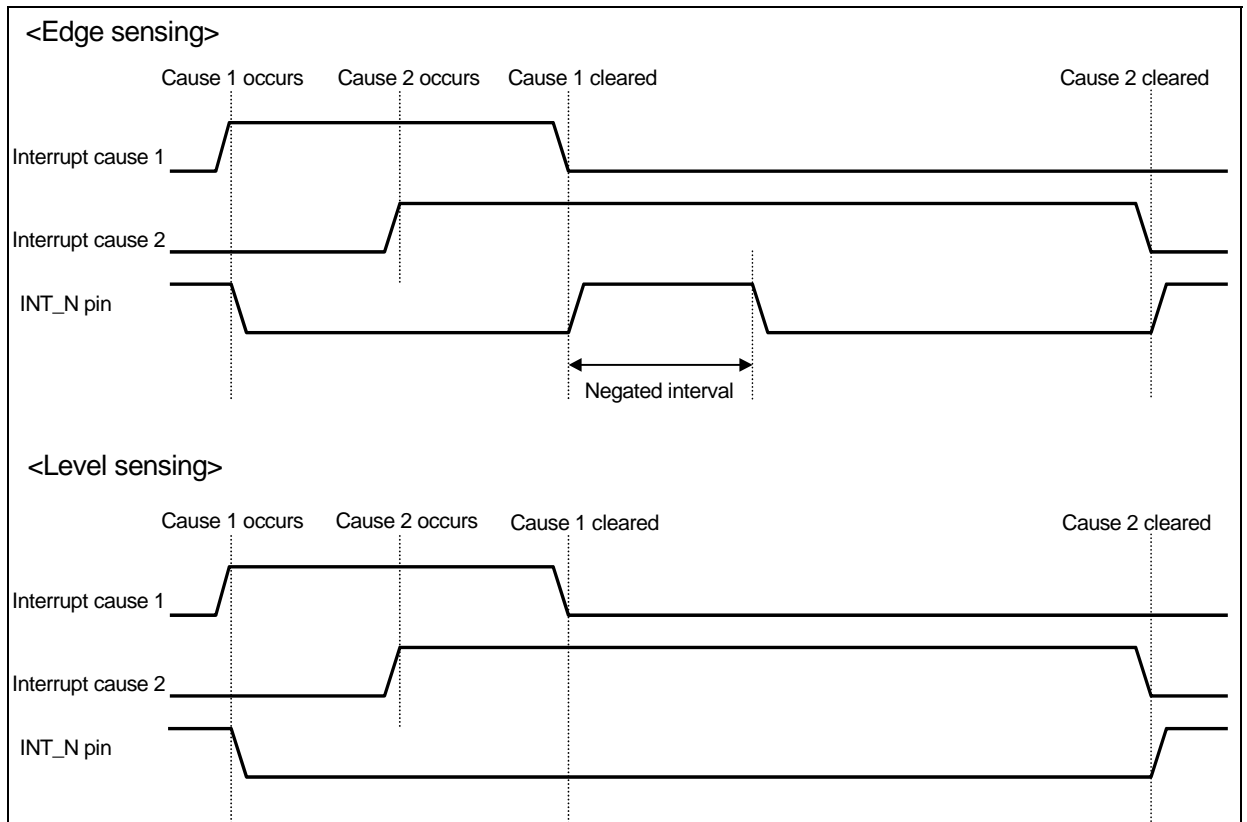


Figure 3.11 INT_N pin operation

Figure 3.12 shows a diagram relating to controller interrupts.

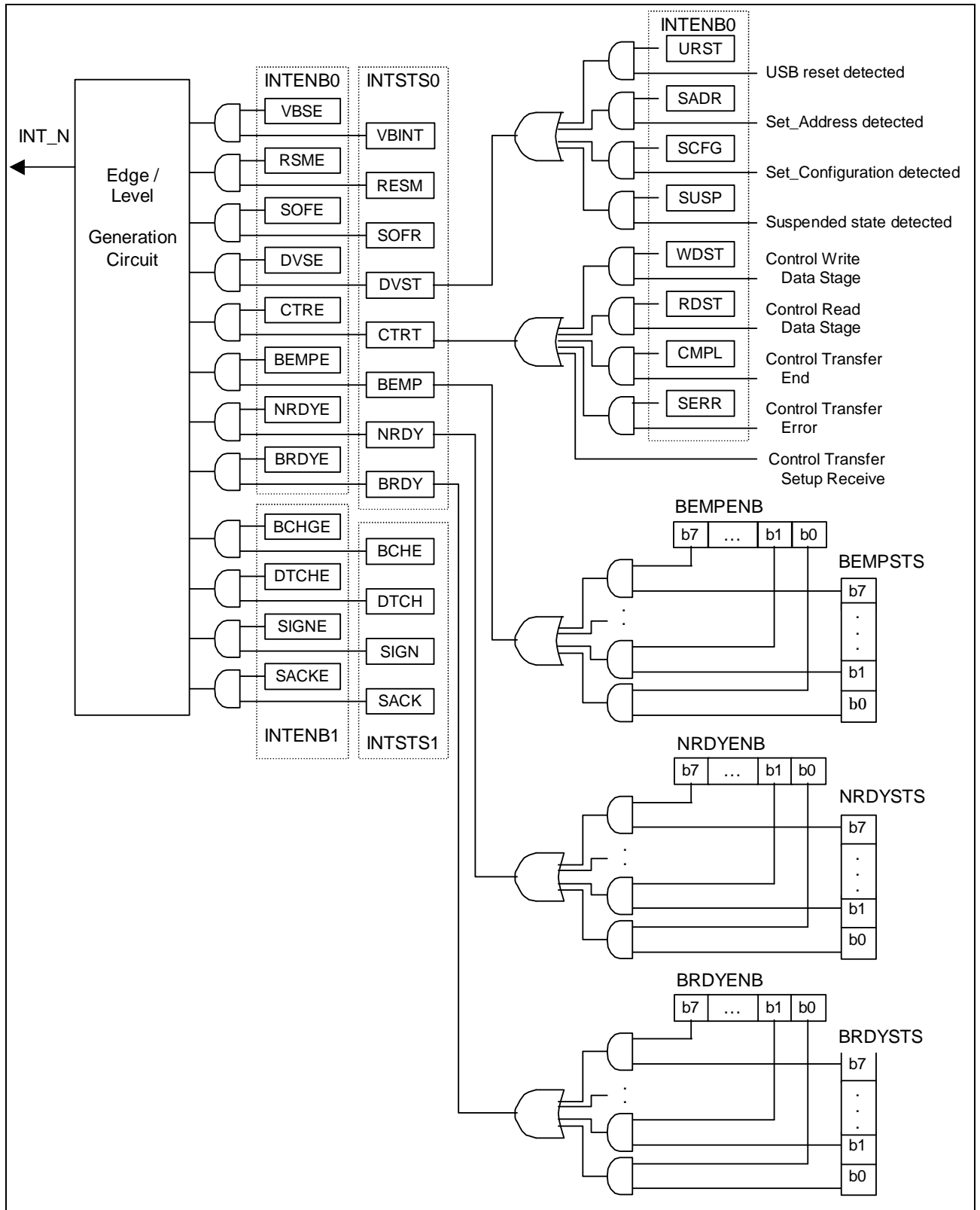


Figure 3.12 Items relating to interrupts

3.2.2 Operation and notes in a clock stop state

VBINT, **RESM**, and **BCHG** generate an interrupt status in the clock stop (include low-power sleep state). When clearing the interrupt status **VBINT**, **RESM**, and **BCHG** in the clock stop state, it is necessary to write "0" in the bit of an interrupt status register, then to write in "1" further.

3.2.3 BRDY interrupt

The BRDY interruption is generated whichever it has chosen of Host and Peripheral mode.

Table 3.9 shows the conditions under which the controller sets "1" to a pertinent bit of the **BRDYSTS** register. Under above condition, the controller generates **BRDY** interrupt, if software enables **PIPERDYE** bit of the **BRDYENB** register and **BRDYE** bit of the **INTENB0** register. Figure 3.13 shows the timing at which **BRDY** interrupts are generated..

The conditions for elimination the **BRDY** bit of the **INTSTS0** register are depend on the setting of the **BRDYM** bit of the **INTENB1** register. Table 3.10 shows the conditions.

Under the conditions noted below in the Peripheral mode, a Zero-Length packet is sent for an IN token, and the **BRDY** interrupt is not generated.

- When "0x000" is set in the **MXPS** bit of the **PIPEMAXP** register for a pipe, and the transfer type of the pertinent pipe is bulk IN.

Table 3.9 Conditions under which a BRDY interrupt is generated

Access direction	Transfer direction	Pipe	BFRE	DBLB	Conditions under which a BRDY interrupt is generated
Reading	Receive	DCP	-	-	(1) or (2) bellow; (1) Short packet reception including , Zero-Length packet reception (2) Buffer is full by reception
		1-7	0	0	(1) (2) or (3) bellow; (1) Short packet reception including , Zero-Length packet reception (2) Buffer is full by reception *1) (3) Transaction Counter End when buffer is not full
				1	(1), (2), (3) or (4) bellow (1) One of (a) to (c) conditions is occur when both buffers are waiting for reception (a) a short packet reception including a Zero-Length packet reception (b) One buffer of two is full by reception *1) (c) Transaction Counter End when a buffer is not full (2) Reading is complete of a buffer, when both buffer are waiting for reading (3) Software set "BCLR=1" to clear a buffer, when both buffer are waiting for reading (4) Software set "TGL=1", when SIE side buffer has a data In the continuous transfer mode.
1	Don't Care	(1), (2) or (3) bellow (1) Zero-Length packet reception (2) After a short packet reception, reading data of the packet is complete. (3) After Transaction Counter End reading data of the last packet is complete,.			
Writing	Transmit	DCP	-		Doesn't take place
		1-7	0	0	(1), (2), (3) or (4) bellow; (1) Software set direction of transfer to transmitting (2) Packet transmission is completed (3) Software set "ACLRM=1", when there are data waiting to transmitted (4) Software set "SCLR=1", when there are data waiting to transmitt
				1	(1), (2), (3), (4) or (5) bellow; (1) Software set direction of transfer to transmitting (2) Data is enabled to be transmitted, when there are no buffer waiting to be transmitted. (3) Data is enabled to be transmitted,, when there are no buffer waiting to be transmitted. (a) A buffer is full by writing (b) Software set "BVAL=1" to enable the buffer is ready to tarnsmitt (c) DMAC asserts DEND signal to make a buffer be ready to transmit (4) Software set "ACLRM=1", when there are data waiting to transmitted (5) Software set "SCLR=1", when there are data waiting to transmitt
1	Don't Care	Doesn't take place			

***1) Buffer full shows the following cases.**
 - In continuous mode ("CBTMD=1" setup), the data of buffer size is received.
 - In not continuous mode ("CNTMD=0") , the data of the Max packet size is received.

If a Zero-Length packet has been received, the pertinent bit of the **BRDYSTS** register goes to “1”, but the data of the pertinent packet cannot be read. The buffer should be cleared (“BCLR=1”) after clearing the **BRDYSTS** register. With PIPE1-PIPE7, if DMA transfer is being carried out in the reading direction, interrupts can be generated in transfer units, by setting the **BFRE** bit of the **PIPECFG** register.

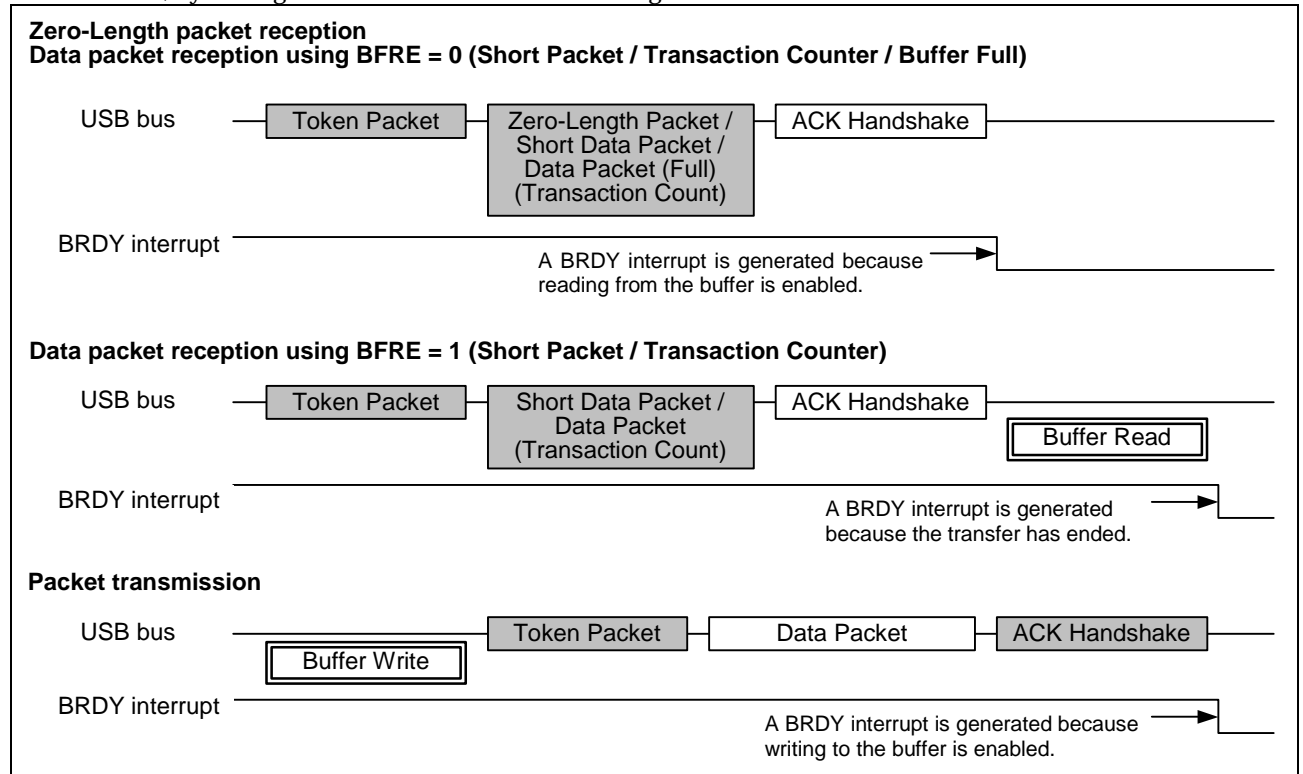


Figure 3.13 Timing at which BRDY interrupts are generated

The conditions on which this controller clears the **BRDY** bit of **INTSTS0** register change with setting values of the **BRDYM** bit of **INTENB1** register. **BRDY** bit clear conditions are shown in Table 3.10.

Table 3.10 Conditions for elimination of the BRDY bit

BRDYM	Conditions for elimination of the BRDY bit
0	When software clears all enabled bits of the BRDYSTS register, the controller clears the BRDY bit.
1	When the controller clears all BSTS bits which corresponding to BRDY interrupt enabled pipe, the controller clears the BRDY bit.

3.2.4 NRDY interrupt

Chapter 3.2.4.1 ,3.2.4.2 show the conditions under which **NRDY** interrupts are generated. The cause of a **NRDY** for the various pipes should be confirmed using the pertinent bit of the **NRDYSTS** register. If an interrupt has been disabled using the **NRDYE** bit of the **INTENB0** register, the interrupt request is set in the pertinent bit of the **NRDYSTS** register. When all of the bits of the **NRDYSTS** register are cleared using the user system control program, the controller clears the **NRDY** bit of the **INTSTS0** register.

3.2.4.1 NRDY interrupt in the Host mode

The followings are the generating conditions of NRDY interruption in the Host mode..

- (a) When STALL is received from a peripheral to the token which transmitted.
- (b) When there is no response from a peripheral to the token which transmitted.
- (c) When Isochronous transfer, the following errors occurred at the time of Iso transmission.
 - Bit stuffing error
 - CRC error
 - Max packet size over error
 - Over run error, under run error

* However, when the controller doesn't receive ACK packet in the SETUP transaction, the controller generate **SIGN** interrupt.

3.2.4.2 NRDY interrupt in the Peripheral mode

The followings are the generating conditions of NRDY interruption in the Peripheral mode..

- (a) For data transmission
 - If an IN token has been received (data underrun) when the **PID** bit of the **PIPEXCTR** register is in the "PID=BUF" and there is no data to be sent in the buffer memory
- (b) For data is reception
 - If an OUT token or a PING token has been received (data overrun) when the **PID** bit of the **PIPEXCTR** control register is in the "PID=BUF" and there is no area in the buffer memory where data can be stored
 - In a bulk transfer, when the maximum packet size has not been set ("MXPS=0") and an OUT token or a PING token has been received
 - When a CRC error, bit stuffing error, interval error has occurred during an isochronous transfer
 - When a token is recived other than interval frame duaring an isochronous transfer.

Figure 3.14 shows the timing at which the controller generates **NRDY** interrupts.

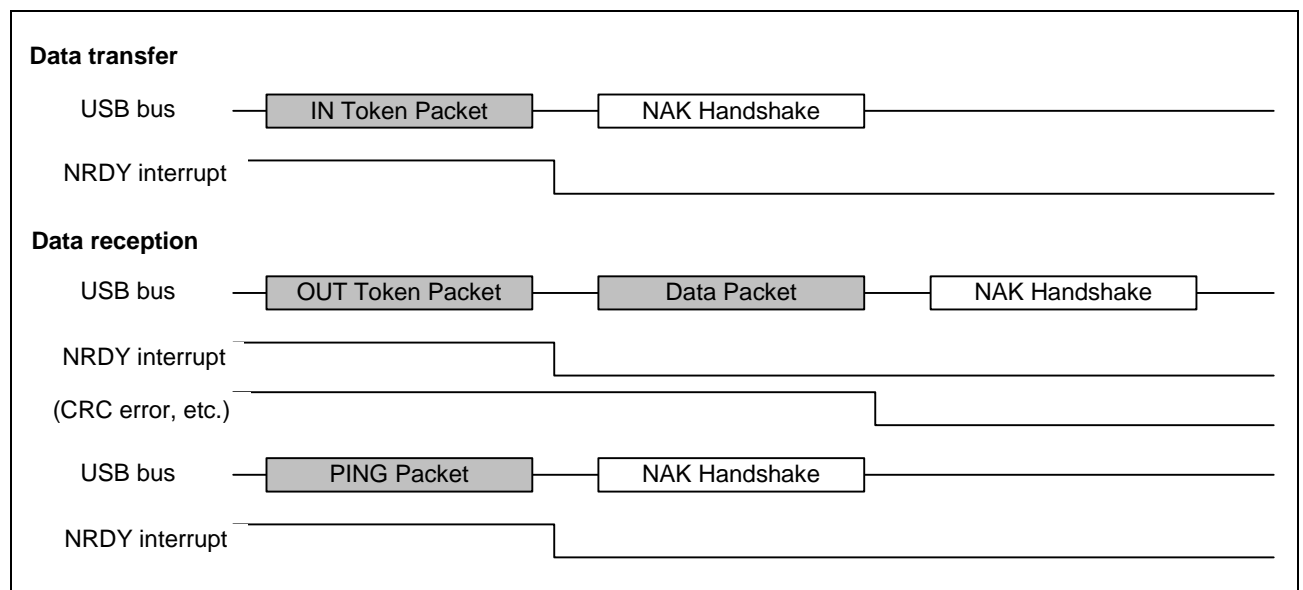


Figure 3.14 Timing at which NRDY interrupts are generated

3.2.5 BEMP interrupt

The BEMP interruption is generated whichever it has chosen of Host and Peripheral mode. The (1), (2) shows the conditions under which **BEMP** interrupts are generated. The cause of a **BEMP** for the various pipes should be confirmed using the pertinent bit of the **BEMPSTS** register. If an interrupt has been disabled using the **BEMPE** bit of the **INTENB0** register, the interrupt request is set in the pertinent bit of the **BEMPSTS** register. When all of the bits of the **BEMPSTS** register are cleared by software, the controller clears the **BEMP** bit of the **INTSTS0** register. If a pipe is under the conditions such as (1)(a), (1)(b), or (2) bellow, the controller sets "1" to a pertinent bit of the **BEMPSTS** register. In this case, the controller generats **BEMP** interrupt, if software enables **PIPENBEMPE** bit of the **BEMPENB** register and **BEMPE** bit of the **INTENB0** register. When software clears all enabled bits of the **BEMPSTS** register, the controller clears the **BEMP** bit.

- (1) When the sending direction (writing to the buffer memory) has been set
 When all of the data stored in the buffer memory has been sent
 If a double buffer is being used for the buffer memory, however, the following conditions are observed.
 - (a) A **BEMP** interrupt is generated if the buffer on one side is empty and sending of data from the buffer on the opposite side has been completed.
 - (b) A **BEMP** interrupt is generated if data consisting of less than eight bytes is being written to the buffer on one side and sending of data from the buffer on the opposite side has been completed.
 - (c) A **BEMP** interrupt is not generated if data consisting of eight bytes or more is being written to the buffer on one side and sending of data from the buffer on the opposite side has been completed.

- (2) When the receiving direction (reading of the buffer memory) has been set
 If the size of the data packet that was received exceeded the maximum packet size
 At this point, if the other maximum packet size parameters were set to a value other than "0" ("MXPS≠0"), the controller sets the **PID** bit of the pertinent pipe to "STALL".

Figure 3.15 shows the timing at which **BEMP** interrupts are generated.

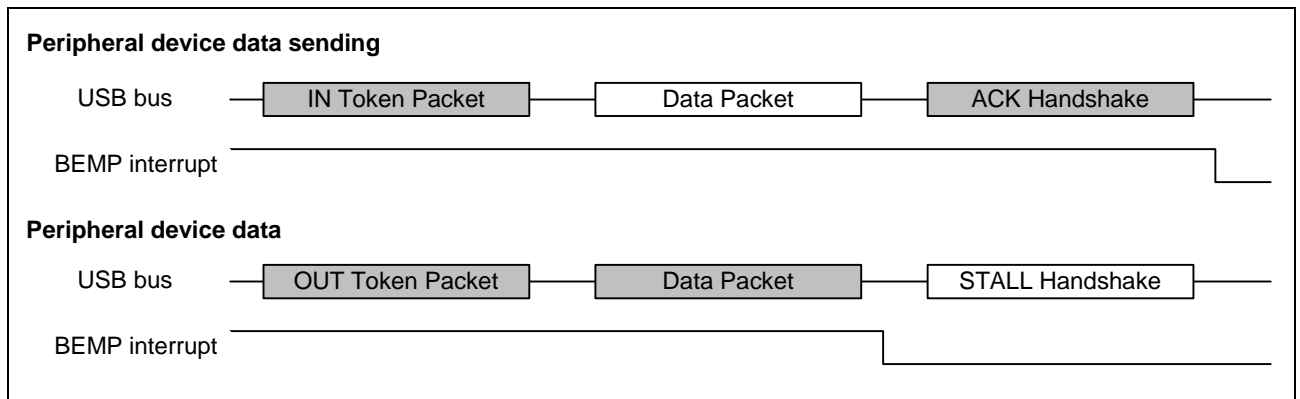


Figure 3.15 Timing at which BEMP interrupts are generated

3.2.6 Device state transition interrupt

Figure 3.16 shows a diagram of the controller device state transitions. In the Peripheral mode, the controller controls device states and generates device state transition interrupts. However, recovery from the suspended state (Resume signal detection) is detected by means of the Resume interrupt. The device state transition interrupt can be set when interrupts are enabled or disabled individually, using the **INTENB0** register. Also, the device state that underwent a transition can be confirmed using the **DVSQ** bit of the **INTSTS0** register.

When making a transition to the default state, the device state transition interrupt is generated after the reset handshake protocol has been completed.

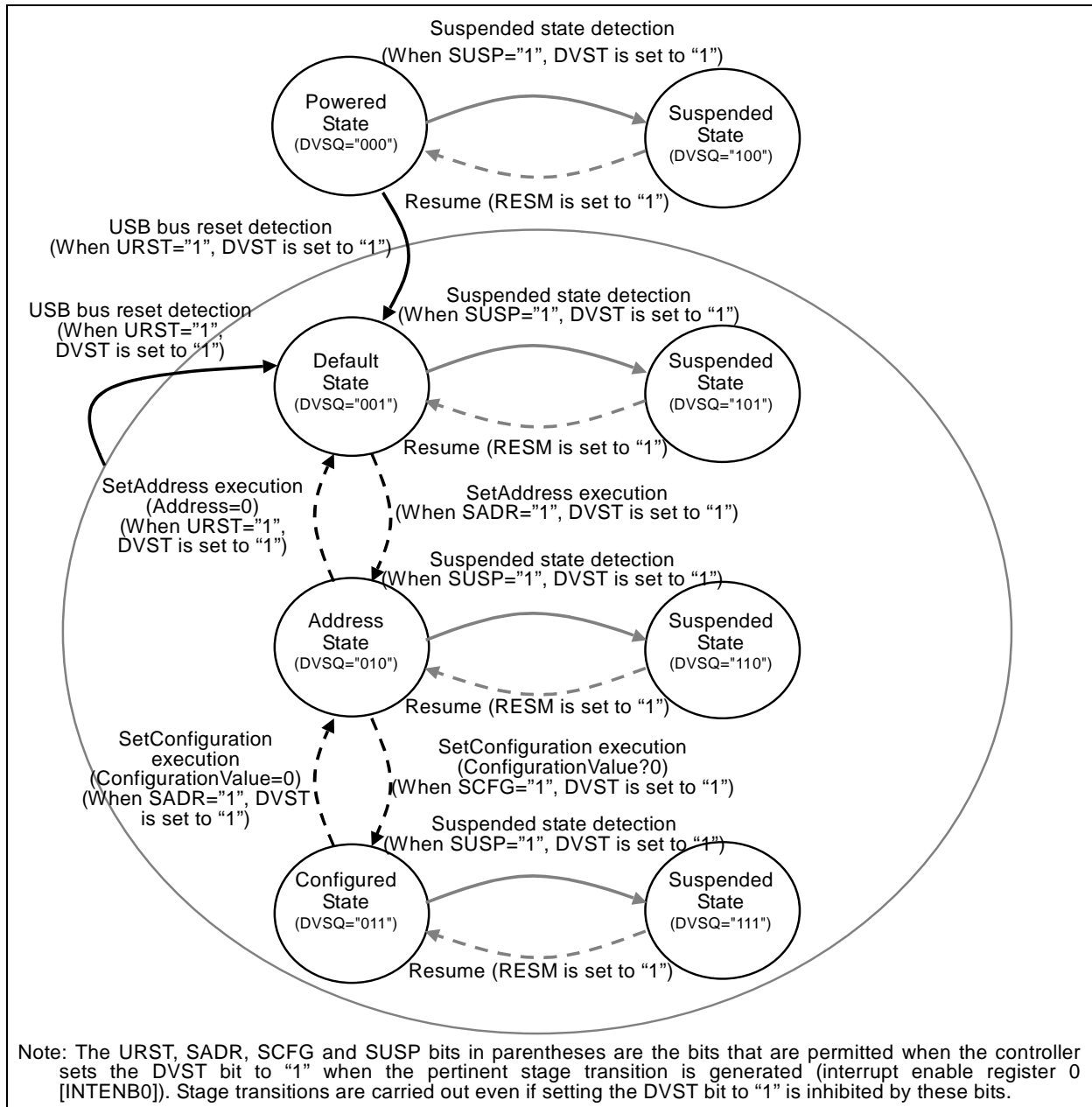


Figure 3.16 Device state transitions

3.2.7 Control transfer stage transition interrupt

Figure 3.17 shows a diagram of how the controller handles the control transfer stage transition. In the Peripheral mode, the controller controls the control transfer sequence and generates control transfer stage transition interrupts. Control transfer stage transition interrupts can be enabled or disabled individually, using the **INTENB0** register. Also, the transfer stage that underwent a transition can be confirmed using the **CTSQ** bit of the **INTSTS0** register.

The control transfer sequence errors are noted below. If an error occurs, the **PID** bit of the **DCPCTR** register goes to "1X" (STALL).

- (1) During control read transfers
 - (a) At the IN token of the data stage, an OUT or PING token is received when there have been no data transfers at all
 - (b) An IN token is received at the status stage
 - (c) A packet is received at the status stage for which the data packet is "DATAPID=DATA0"
- (2) During control write transfers
 - (a) For the OUT token of the data stage, when there have been no ACK responses at all, the IN token is received
 - (b) A packet is received at the data stage for which the first data packet is "DATAPID=DATA0"
 - (c) At the status stage, an OUT or PING token is received
- (3) During control write no-data transfers
 - (a) At the status stage, an OUT or PING token is received

At the control write transfer stage, if the number of received data elements exceeds the **wLength** value of the USB request, it cannot be recognized as a control transfer sequence error. Also, at the control read transfer status stage, packets other than Zero-Length packets are received by an ACK response being carried out, and the transfer ends normally.

If a **CTRT** interrupt occurs in response to a sequence error ("SERR=1"), the "CTSQ=110" value is held until "CTRT=0" is written from the user system (the interrupt status is cleared). Because of this, while "CTSQ=110" is being held, the **CTRT** interrupt that ends the setup stage will not be generated even if a new USB request is received. (The controller holds the setup stage end, and after the interrupt status has been cleared by software, a setup stage end interrupt is generated.)

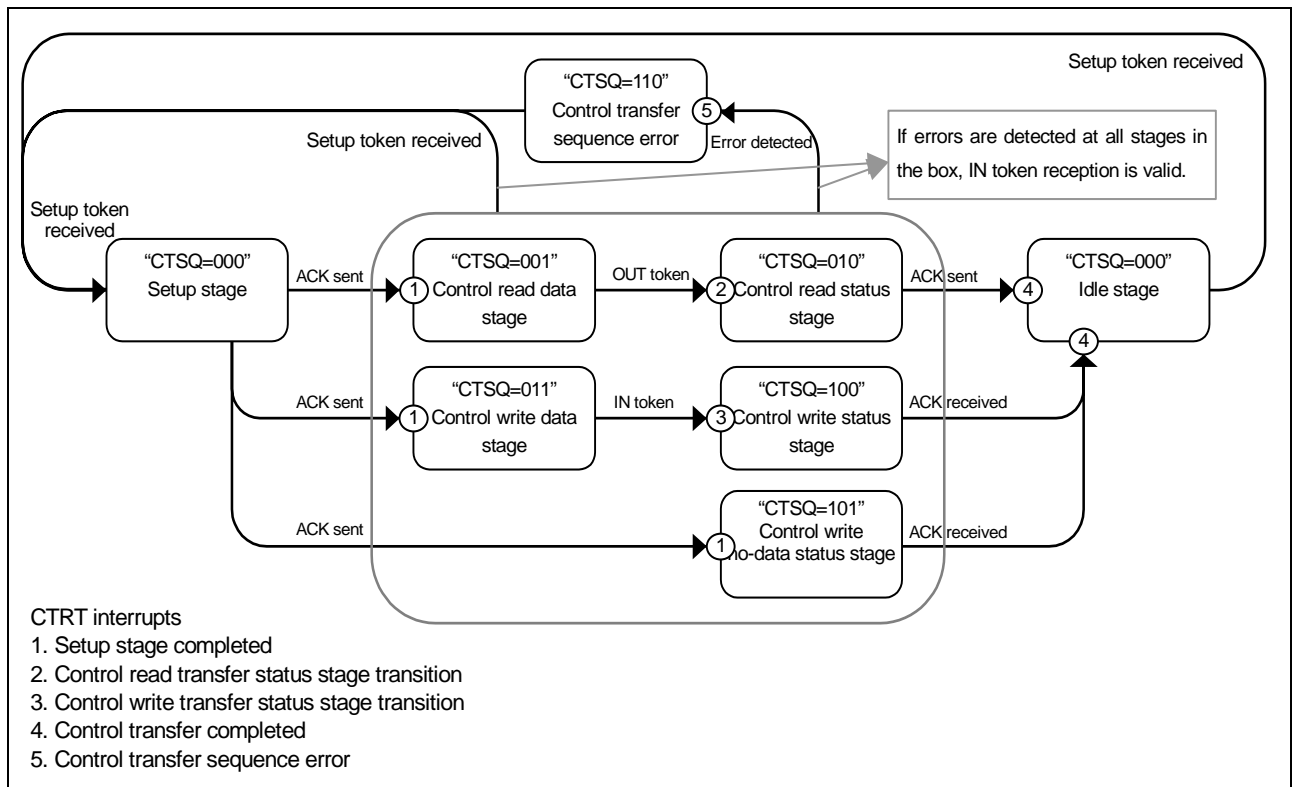


Figure 3.17 Control transfer stage transitions

3.2.8 Frame refresh interrupt

Figure 3.18 shows an example of the **SOFR** interrupt output timing of the controller.

In the Host mode, the **SOFR** interrupt is generated when the frame number is refreshed,

In the Peripheral mode, the **SOFR** interrupt is generated, when the frame number is refreshed, or a damaged SOF packet is detected. The interrupt operation should be specified using the **SOFRM** bit of the **FRMNUM** register.

- (1) When “SOFRM=0” is selected

The **SOFR** interrupt is generated at the timing at which the frame number is refreshed (intervals of approximately 1 ms). Interrupts are generated by the internal interpolation function even if an SOF packet is damaged or missing. During Hi-Speed communication as well, interrupts are generated at the timing at which the frame number is refreshed (intervals of approximately 1 ms).

- (2) When “SOFRM=1” is selected

The **SOFR** interrupt is generated when SOF packets are damaged and when they are missing. During Hi-Speed communication, the interrupt is generated only if the first packet of a uSOF packet with the same frame number is damaged or missing.

(Corrupted and missing SOFs are recognized by the SOF interpolation function. For detailed information, please refer to Chapter 0, SOF interpolation function.)

* SOFRM bit should not be set “SFRM=1” in the Host mode.

In the Peripheral mode, if the controller detects a new SOF packet during Full-Speed operation, it refreshes the frame number and generates an **SOFR** interrupt. However, if the system does not enter the μ SOF lock state during Hi-Speed operation, the frame number is not refreshed, and no **SOFR** interrupt is generated. Also, the SOF interpolation function is not activated. The μ SOF lock state is the state in which uSOF packets with different frame numbers are received twice in succession without an error occurring .

The conditions under which μ SOF lock monitoring begins, and under which μ SOF lock monitoring stops, are as noted below.

- (1) Conditions under which μ SOF lock monitoring begins
USB_E=1 and the internal clock (**SCKE**) is being supplied
- (2) Conditions under which μ SOF lock monitoring stops
USB_E=0 (S/W reset) or a USB bus reset is received, or a suspended state is detected

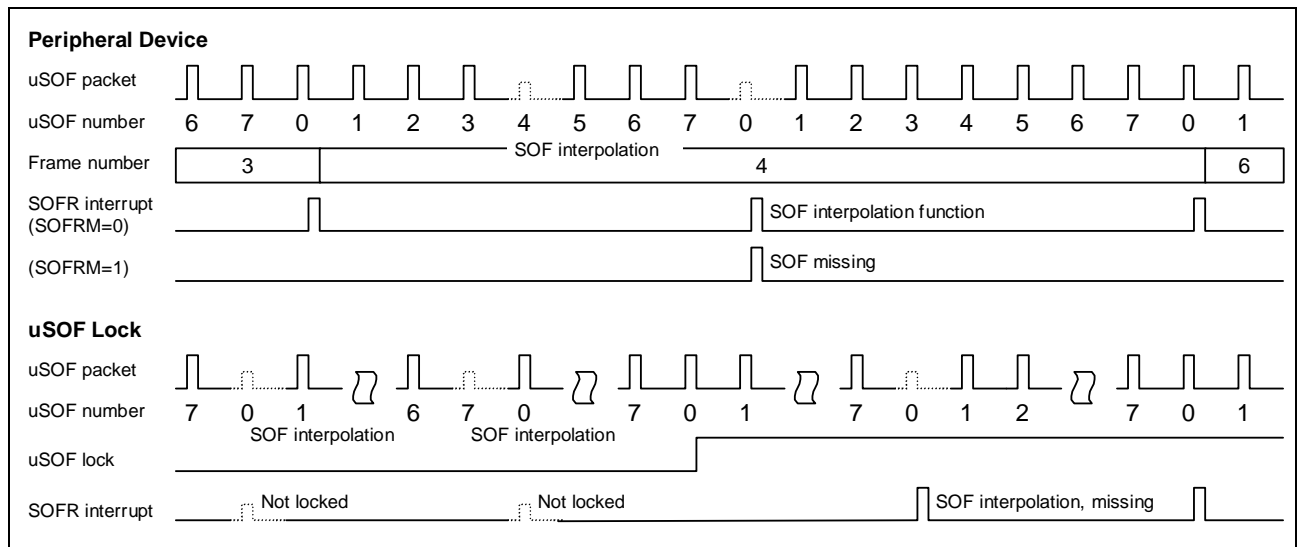


Figure 3.18 Example of SOFR interrupt output timing

3.2.9 VBUS interrupt

The VBUS interruption is generated whichever it has chosen of Host and Peripheral mode. If there has been a change in the VBUS pin, the VBUS interrupt is generated. The level of the VBUS pin can be detected using the VBSTS bit of the INTSTS0 register. Confirmation can be made of whether the host controller is connected or disconnected using the VBUS interrupt. However, if the user system is booted with the host controller connected, the first VBUS interrupt is not generated, because there is no change in the VBUS pin.

This interruption is generated where a clock is stopped (low-power sleep state is included).

3.2.10 Resume interrupt

In the Peripheral mode, the RESM interrupt is generated if the device state is the suspended state, and the USB bus state has changed (from the J-State to the K-State, or from the J-State to SE0). Recovery from the suspended state is detected by means of the Resume interrupt.

In the Host mode, the RESM interrupt is not generated. Please detect change of a USB bus using BCHG interruption.

This interruption is generated where a clock is stopped (low-power sleep state is included).

3.2.11 USB bus change interrupt

Interruption can be generated when a USB bus state changes. This interruption enable with the BCHGE bit of INTENB1 register. This interruption is used for the peripheral connection and detection of a remote wakeup signal in the Host mode. Please do not enable interruption during communication (at the time of "UACT=1" setup). The bus change interruption is generated whichever it has chosen of Host and Peripheral mode.

This interruption is generated where a clock is stopped (low-power sleep state is included).

3.2.12 Full-Speed detach detect interrupt

In the Host mode, interruption can be generated when peripheral device is detached at the time of Full-Speed mode. This interruption enable with the DTCHE bit of INTENB1 register. In the case of Hi-Speed mode, it does not generate. In order to detect detach in Hi-Speed mode, when there is no response from peripheral, judging it as detach etc. needs to be processed.

This interruption is not generated where a clock is stopped (low-power sleep state is included). Detection of detach should use BCHG interruption during suspend state.

3.2.13 Setup transaction complete interrupt

Interruption can be generated when the ACK packet from peripheral device is received at the time of sending setup transaction at Host mode. This interruption enable with the SACKE bit of INTENB1 register.

3.2.14 Setup transaction error detect interrupt

Interruption can be generated when the ACK packet from peripheral device isn't able to be received at the time of sending setup transaction at Host mode. This interruption enable with the SIGN bit of INTENB1 register.

3.3 Pipe control

Table 3.11 shows the pipe setting items of the controller. With USB data transfers, data communication has to be carried out using the logic pipe called the end point. This controller has eight pipes that are used for data transfers. Settings should be entered for each of the pipes in conjunction with the specifications of the user system.

Table 3.11 Pipe setting items

Register name	Bit name	Setting contents	Note
DCPCFG PIPECFG	TYPE	Specifies the transfer type	Please refer to Chapter 3.3.1 Transfer types
	BFRE	Selects the BRDY interrupt mode	PIPE1-5: Can be set Please refer to Chapters 3.4.3.5 and 3.4.3.6 .
	DBLB	Selects a single or double buffer	PIPE1-5: Can be set Please refer to Chapter 3.4.1.5 .
	CNTMD	Selects continuous transfer or non-continuous transfer	DCP: Can be set PIPE1-2: Can be set (can be set only when bulk transfer has been selected) PIPE3-5: Can be set With continuous transmission and reception, the buffer size should be set to an integer multiple of the payload. Please refer to Chapter 3.4.1.6 .
	DIR	Selects transfer direction (reading or writing)	IN or OUT can be set. Please refer to Chapter 3.4.2.1 (DCP is controlled by ISEL).
	EPNUM	End point number	Please refer to Chapter 3.3.2 End point number.
	SHTNAK	Selects disabled state for pipe when transfer ends	PIPE1-2: Can be set (can be set only when bulk transfer has been selected) PIPE3-5: Can be set Please refer to Chapter 3.3.7 Auto NAK function.
PIPEBUF	BUFSIZE	Buffer memory size	DCP: Cannot be set (fixed at 256 bytes) PIPE1-5: Can be set (can be specified up to a maximum of 2 KB in 64-byte units) PIPR6-7: Cannot be set (fixed at 64 bytes) Please refer to Chapter 3.4.1
	BUFNMB	Buffer memory number	DCP: Cannot be set (areas fixed at 0-3) PIPE1-5: Can be set (can be specified in areas 6-4F) PIPE6-7: Cannot be set (areas fixed at 4-5) Please refer to Chapter 3.4.1.
DCPMAXP PIPEMAXP	MXPS	Maximum packet size	Please refer to Chapter 3.3.3 Maximum packet size setting
PIPEPERI	IFIS	Buffer Flush	PIPE1-2: Can be set (only when isochronous transfer has been selected) PIPE3-7: Cannot be set Please refer to Chapter 3.9.5.
	IITV	Interval Counter	PIPE1-2: Can be set (only when isochronous transfer has been selected) PIPE3-7: Cannot be set Please refer to Chapter 3.9.3.
DCPCTR PIPEXCTR	BSTS	Buffer Status	Please refer to Chapter 3.4.1.1 (also related to DIR / ISEL)
	INBUFM	IN Buffer Monitor	Please refer to Chapter 3.4.1.1 (also related to DIR / ISEL)
	ACLRM	Auto Buffer Clear	Enabled / disabled setting can be set when buffer memory reading is set. Please refer to Chapter 3.4.1.4 .
	SQCLR	Sequence Clear	Clears the data toggle bit. Please refer to Chapter 3.3.6 Data PID sequence bit.
	SQSET	Sequence Set	Sets the data toggle bit. Please refer to Chapter 3.3.6 Data PID sequence bit.
	SQMON	Sequence Confirm	Confirms the data toggle bit. Please refer to Chapter 3.3.6 Data PID sequence bit.
	PID	Response PID	Please refer to Chapter 3.3.4 Response PID.

3.3.1 Transfer types

The **TYPE** bit of the **PIPEPCFG** register is used to specify the type of transfer for the various pipes. The types of transfer that can be set for the pipes are noted below.

- DCP: No setting is necessary (fixed at control transfer).
- PIPE1-2: These should be set to bulk transfer or isochronous transfer.
- PIPE3-5: These should be set to bulk transfer.
- PIPE6-7: These should be set to interrupt transfer.

3.3.2 End point number

The **EPNUM** bit of the **PIPEPCFG** register is used to set the end point numbers for the various pipes. DCP is fixed at end point 0. The other pipes can be set from end point 1 to end point 15.

- DCP: No setting is necessary (fixed at end point 0).
 - PIPE1-7: "1" to "15" should be selected and set.
- However, these should be set so that the combination of the **DIR** bit and the **EPNUM** bit is a unique combination.

3.3.3 Maximum packet size setting

The **MXPS** bit of the **DCPMAXP** register and the **PIPEMAXP** register is used to set the maximum packet size for the various pipes. DCP and PIPE1-5 can be set to any of the maximum pipe sizes defined by USB specification. For PIPE6-7, 64 bytes is the upper limit for the maximum packet size. The maximum packet size should be set before beginning the transfer ("PID=BUF").

- DCP: "64" should be set when using Hi-Speed operation.
- DCP: Select and set "8", "16", "32" or "64" when using Full-Speed operation.
- PIPE1-5: "0" or "512" should be set when using Hi-Speed bulk transfer.
- PIPE1-5: Select and set "0", "8", "16", "32" or "64" when using Full-Speed bulk transfer.
- PIPE1-2: Set a value between "1" and "1024" when using Hi-Speed isochronous transfer.
- PIPE1-2: Set a value between "1" and "1023" when using Full-Speed isochronous transfer.
- PIPE6-7: Set a value between "1" and "64".

*The High-Bandwidth transfers used with interrupt transfers and isochronous transfers are not supported.

Also, setting "MXPS=0" for pipes when bulk transfer is being used results in the following operations in the Peripheral mode. In the Host mode do not set "MAXP=0".

- (1) Bulk IN: Data cannot be written to the buffer memory.
When "PID=BUF" is set, a Zero-Length packet is sent in response to an IN token.
The **BRDY**, **NRDY**, and **BEMP** interrupts are not generated.
- (2) Bulk OUT: The data in the received data packets cannot be stored in the buffer memory.
When "PID=BUF" is set, the NAK response is sent in response to an OUT token.
In this case, **NRDY** interrupts are generated, but **BRDY** and **BEMP** interrupts are not.

3.3.4 Response PID

The **PID** bit of the **DCPCTR** register and **PIPEXCTR** register is used to set the response PID for each pipe.

- (1) Host mode
 - (a) Response PID specifies execution of a transaction. NAK setting : A pipe is in a prohibition state. A transaction is not executed.
 - (b) BUF setting : A transaction is executed based on the status of the buffer memory.
 - (c) STALL setting : A pipe is in a prohibition state. A transaction is not executed.

* The setup transaction of DCP is executed by operation of a **SUREQ** bit.

- (2) Peripheral mode

Response PID specifies the response to the transaction from a host.

 - (a) NAK setting : The "NAK response" is always returned in response to the generated transaction.
 - (b) BUF setting : Responses are made to transactions based on the status of the buffer memory.
 - (c) STALL setting : The "STALL" response is always returned in response to the generated transaction.

* For setup transactions, an "ACK response" is always returned, regardless of the PID setting, and the USB request is stored in the register.

The controller may carry out writing to the **PID** bit, depending on the results of the transaction.

- (1) Host mode
 - (a) NAK setting :

In the following cases, it becomes "PID=NAK" and issue of a token is stopped automatically.

 - When a peripheral device ignores the token other than isochronous transfer.
 - When the packet which is not normal is received during transmission other than isochronous transfer.
 - When a short packet is received, if the **SHTNAK** bit of the **PIPECFG** register has been set to "1" for bulk transfer,
 - When the transaction counter has ended, if the **SHTNAK** bit of the **PIPECFG** register has been set to "1" for bulk transfers.
 - (b) BUF setting
The controller doesn't set up "PID=BUF".
 - (c) STALL setting :

In the following cases, it becomes "PID=STALL" and issue of a token is stopped automatically.

 - When the "STALL" packet from a peripheral device is received..
 - When an error has been detected in a received data packet indicating that the data size exceeds the maximum packet size
- (2) Peripheral mode
 - (a) NAK setting :
 - When the SETUP token is received normally (DCP only)
 - When a short packet is received, if the **SHTNAK** bit of the **PIPECFG** register has been set to "1" for bulk transfers
 - When the transaction counter has ended, if the **SHTNAK** bit of the **PIPECFG** register has been set to "1" for bulk transfers
 - (b) STALL setting :
 - When an error has been detected in a received data packet indicating that the data size exceeds the maximum packet size
 - When a control transfer stage transition error has been detected

3.3.5 Registers that should not be set in the USB communication enabled ("PID=BUF") state

ISEL bit of the **CFIFOSEL** register (applies only when DCP is selected)

TGL and **SCLR** bits of the **CFIFOSIE** register

DCLRM, **TRENB**, **TRCLR**, and **DEZPM** bits of the **DxFIFOSEL** register

TRNCNT bit of the **DxFIFOTRN** register

The various bits of the **DCPCFG** and **DCPMAXP** registers

The various bits of the **DCPCTR** register (except for the **CCPL** bit)

The various bits of the **PIPECFG**, **PIPEBUF**, and **PIPEMAXP** registers

The various bits of the **PIPEPERI** and **PIPEXCTR** registers

3.3.6 Data PID sequence bit

The controller toggles the data PID sequence bit when data is transferred normally. Next, the sequence bit of the data PID that was sent can be used to confirm the **SQMON** bit of the **DCPCTR** register and the **PIPEXCTR** register. When data is sent, the sequence bit switches at the timing at which the ACK handshake is received, and when data is received, the sequence bit switches at the timing at which the ACK handshake is sent. Also, the **SQCLR** bit and the **SQSET** bit of the **DCPCTR** register and the **PIPEXCTR** register can be used to change the data PID sequence bit.

In control transfer of Peripheral mode, this controller sets up a sequence bit automatically at the time of stage changes. It is set to DATA0 at the setup stage end, and it answers by DATA1 on a status stage. A set up sequence bit by software is not required. In control transfer of Host mode, it is necessary to set up a sequence bit by software at the stage changes.

Even when which of Host and Peripheral is chosen, after ClearFeature request etc. needs to set up a data PID sequence bit by software.

With pipes for which isochronous transfer has been set, sequence bit operation cannot be carried out using the **SQSET** bit.

3.3.7 Auto NAK function

The controller has a function that disables pipe operation (“Response PID=NAK”) at the timing at which the final data packet of a transaction is received (the controller automatically distinguishes this based on reception of a short packet or the transaction counter) by setting the **SHTNAK** bit of the **PIPECFG** register to “1”.

When a double buffer is being used for the buffer memory, using this function enables reception of data packets in transfer units. Also, if pipe operation has been disabled, the pipe has to be set to the enabled state again (“Response PID=BUF”) using software.

This function can be used for operation only when using bulk transfers.

3.4 Buffer memory

This chapter explains operation about the buffer memory which this controller contains. When there is no description, both a Host and Peripheral are the same operation.

3.4.1 Buffer memory allocation

Figure 3.19 shows an example of a buffer memory map for the controller. The buffer memory is an area shared by the user system control CPU and the controller. In the buffer memory status, there are times when the access right to the buffer memory is allocated to the user system (CPU side), and times when it is allocated to the controller (SIE side).

The buffer memory sets independent areas for each pipe. In the memory areas, 64 bytes comprise one block, and the memory areas are set using the first block number of the number of blocks (specified using the **BUFNMB** and **BUFSIZE** bits of the **PIPEBUF** register). Moreover, three FIFO ports are used for access to the buffer memory (reading and writing data). A pipe is assigned to the FIFO port by specifying the pipe number using the **CURPIPE** bit of the **C/DxFIFOSEL** register.

The buffer statuses of the various pipes can be confirmed using the **BSTS** bit of the **DCPCTR** register and **PIPExCTR** register. Also, the access right of the FIFO port can be confirmed using the **FRDY** bit of the **C/DxFIFOCTR** register.

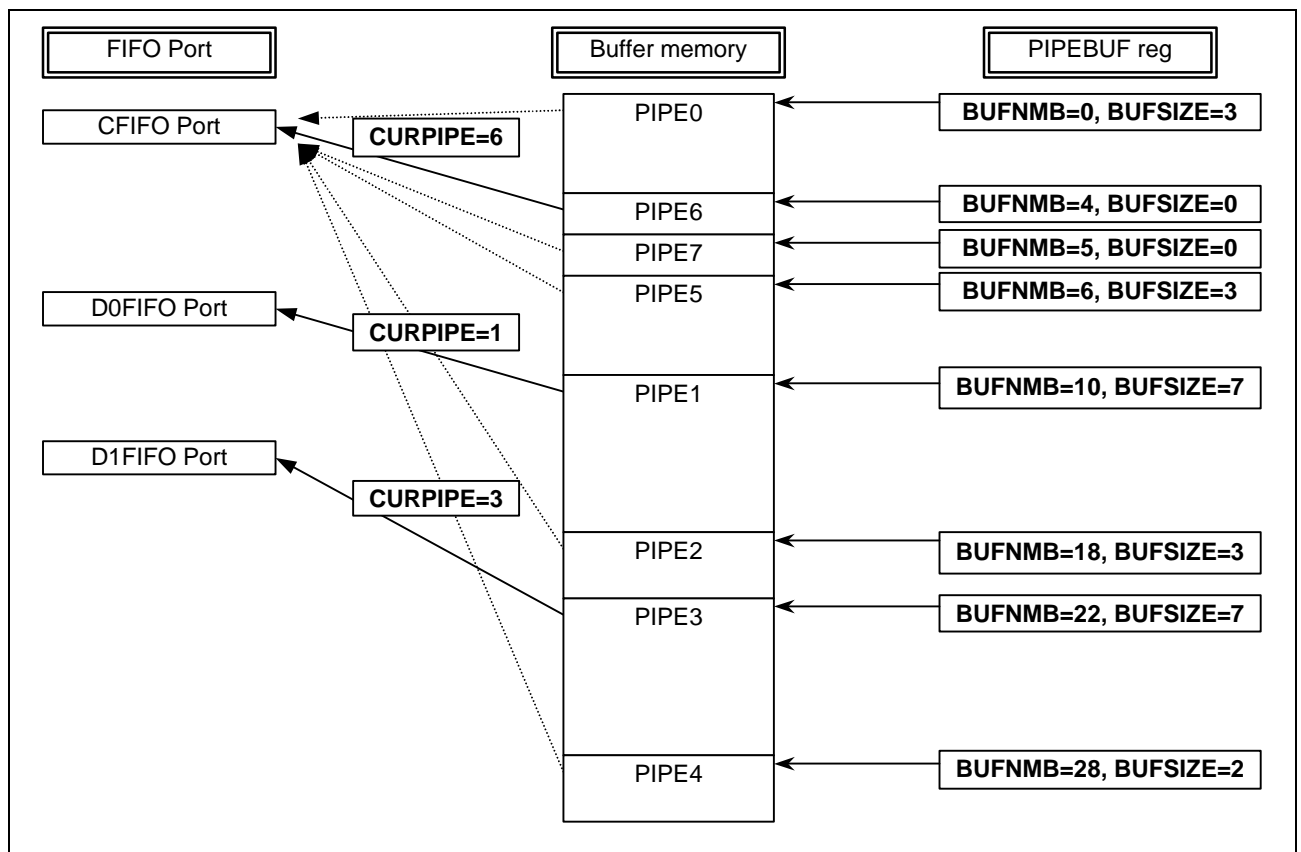


Figure 3.19 Example of buffer memory map

3.4.1.1 Buffer status

Table 3.12 shows the buffer status. The buffer memory status can be confirmed using the **BSTS** bit and the **INBUFM** bit. The access direction for the buffer memory can be specified using either the **DIR** bit of the **PIPEXCFG** register or the **ISEL** bit of the **CFIFOSEL** register (when DCP is selected). **INBUFM** is valid for transmitting direction of PIPE1-5.

For a sending direction pipe uses double buffer, software can refer the **BSTS** bit to monitor the buffer memory status of CPU side and the **INBUFM** bit to monitor the buffer memory status of SIE side. In the case like the **BEMP** interrupt may not show bufer empty status because the CPU (DMAC) writes data slowly, software can use the **INBUFM** bit to tell the end of sending.

Table 3.12 Buffer statuses by BSTS bit and the BSTS bit

ISEL or DIR	BSTS	Buffer memory state
0 (receiving direction)	0	There is no received data, or data is being received. Reading from the CPU is inhibited.
0 (receiving direction)	1	There is received data, or a Zero-Length packet has been received. Reading from the CPU is allowed. However, because reading is not possible when a Zero-Length packet is received, the buffer must be cleared.
1 (sending direction)	0	The transmission has not been finished. Writing to the CPU is inhibited.
1 (sending direction)	1	Writing to the CPU is allowed. (1) "DBLB=0"(Single buffer) ; The transmission has been finished. (2) "DBLB=1"(Double buffer) ; The transmission for one side of the buffer has been finished.

Table 3.13 Buffer statuses by INBUFM bit and the INBUFM bit

ISEL or DIR	INBUFM	Buffer memory state
0 (receiving direction)	Invalid	Invalid
1 (sending direction)	0	The transmission has been finished. There is no transmitting data.
1 (sending direction)	1	There is transmitting data.

3.4.1.2 Buffer clearing

Table 3.14 shows the clearing of the buffer memory by the controller. The buffer memory can be cleared using the four bits indicated below.

Table 3.14 Buffer clearing

Bit name	BCLR	SCLR	DCLRM	ACLRM
Register	CFIFOCTR register DxFIFOCTR register	CFIFOSIE register	DxFIFOSEL register	PIPEXCTR register
Function	Clears the buffer memory on the CPU side	Clears the buffer memory on the SIE side	In this mode, after the data of the specified pipe has been read, the buffer memory is cleared automatically. See 3.4.3.5	This is the Auto Buffer Clear mode, in which all of the received packets are destroyed. See 3.4.1.4
Clearing method	Cleared by writing "1"	Cleared by writing "1"	"1": Mode valid "0": Mode invalid	"1": Mode valid "0": Mode invalid

3.4.1.3 Buffer areas

Table 3.15 shows the FIFO buffer memory map of the controller. The buffer memory has special fixed areas to which pipes are assigned in advance, and user areas that can be set by the user. The buffer for the DCP is a special fixed area that is used both for control read transfers and control write transfers. The PIPE6-7 area is assigned in advance, but the area for pipes that are not being used can be assigned to PIPE1-5 as a user area. The settings should ensure that the areas of the various pipes do not overlap. Also, the buffer size should not be specified using a value that is less than the maximum packet size.

Table 3.15 Buffer memory map

Buffer memory no.	Buffer size	Pipe setting	Note
0 – 3	256 bytes	DCP special fixed area	Single buffer, continuous transfers enabled
4	64 bytes	Fixed area for PIPE6	Single buffer
5	64 bytes	Fixed area for PIPE7	Single buffer
6 – 4F	4736 bytes	PIPE1-5 user area	Double buffer can be set, continuous transfers enabled

3.4.1.4 Auto Buffer Clear mode function

With this controller, all of the received data packets are discarded if the **ACLRM** bit of the **PIPExCTR** register is set to “1”. If a normal data packet has been received, however, the ACK response is returned to the host controller. This function can be set only in the buffer memory reading direction.

Also, if the **ACLRM** bit is set to “1” and then to “0”, the buffer memory of the pertinent pipe can be cleared regardless of the access direction. An access cycle of at least 100 ns is required between “ACLRM=1” and “ACLRM=0”.

3.4.1.5 Buffer memory specifications (single / double setting)

Either a single or double buffer can be selected for PIPE1-5, using the **DBLB** bit of the **PIPExCFG** register. The double buffer is a function that assigns two memory areas specified with the **BUFSIZE** bit of the **PIPEBUF** register to the same pipe. Figure 3.20 shows an example of buffer memory settings for the controller.

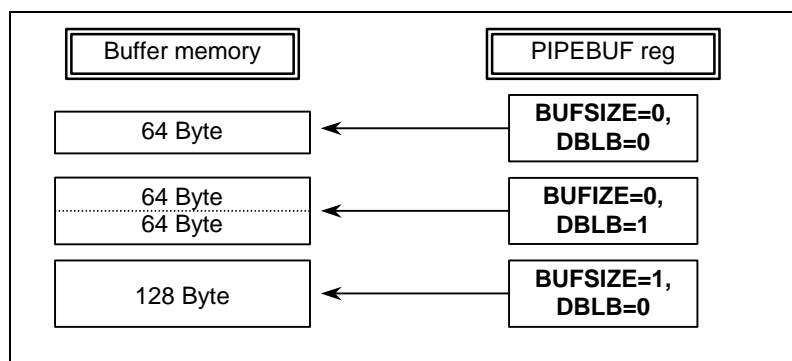


Figure 3.20 Example of buffer memory settings

3.4.1.6 Buffer memory operation (continuous transfer setting)

Either the continuous transfer mode or the non-continuous transfer mode can be selected, using the **CNTMD** bit of the **DCPCFG** register and the **PIPEXCFG** register. This selection is valid for pipes 0-5. The continuous transfer mode function is a function that sends and receives multiple transactions in succession. When the continuous transfer mode is set, data can be transferred without interrupts being issued to the CPU, up to the buffer sizes assigned for each of the pipes.

In the continuous sending mode, the data being written is divided into packets of the maximum packet size and sent. If the data being sent is less than the buffer size (short packet, or the integer multiple of the maximum packet size is less than the buffer size), "BVAL=1" must be set after the data being sent has been written. In the continuous reception mode, interrupts are not issued during reception of packets up to the buffer size, until the transaction counter has ended, or until a short packet is received.

Figure 3.21 shows an example of buffer memory operation for the controller.

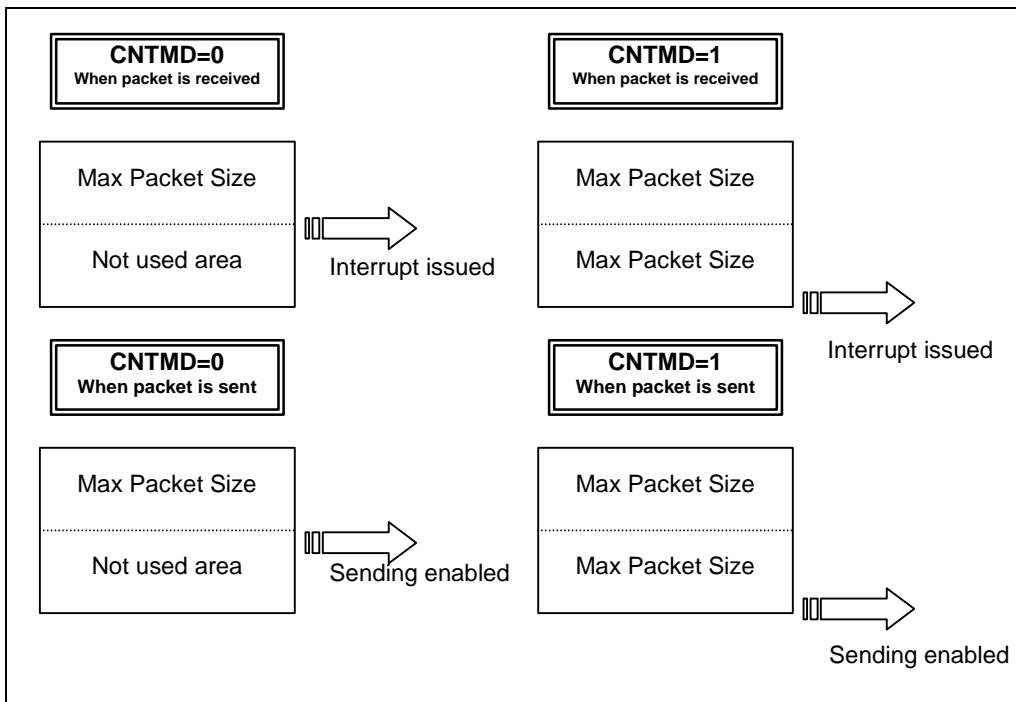


Figure 3.21 Example of buffer memory operation

3.4.2 FIFO port functions

Table 3.16 shows the settings for the FIFO port functions of the controller. When data writing is being accessed, writing data until the buffer is full (or the maximum packet size for non-continuous transfers) automatically enables sending of the data. To enable sending of data before the buffer is full (or before the maximum packet size for non-continuous transfers), the **BVAL** bit of the **C/DxFIFOCTR** register (or the **DEND** signal when using DMA transfers) must be set to end the writing. Also, to send a Zero-Length packet, the **BCLR** bit of the same register must be used to clear the buffer and then the **BVAL** bit set in order to end the writing.

When accessing reading, reception of new packets is automatically enabled if all of the data has been read. However, data cannot be read when a Zero-Length packet is being received (DTLN=0), so the **BCLR** bit of the register must be used to release the buffer. The length of the data being received can be confirmed using the **DTLN** bit of the **C/DxFIFOCTR** register.

Table 3.16 FIFO port function settings

Register name	Bit name	Function	Reference	Note
C/DxFIFOSEL	REW	Buffer memory rewind (re-read, re-write)	3.4.4.2	
	DCLRM	Automatically clears data received for a specified pipe after the data has been read	3.4.1.2 3.4.3.5	For DxFIFO only DMA transfer assumed
	DREQE	Asserts DREQ signal	3.4.3	For DxFIFO only
	MBW	FIFO port access bit width	3.4.2.1	
	TRENB	Enables transaction counter operation	3.4.2.5	For DxFIFO only
	TRCLR	Clears the current number of transactions	3.4.2.5	For DxFIFO only
	DEZPM	Zero-Length packet addition mode	3.4.3.3	For DMA only
	ISEL	FIFO port access direction	3.4.2.1	For DCP only
C/DxFIFOCTR	BVAL	Ends writing to the buffer memory	3.4.2.4 3.4.2	
	BCLR	Clears the buffer memory on the CPU side	3.4.1.2	
	DTLN	Confirms the length of received data	3.4.2	
DxFIFOTRN	TRNCNT	Sets the received transaction count	3.4.2.5	For DxFIFO only
CFIFOSIE (excluding DCP)	TGL	CPU / SIE buffer toggle	3.4.2.3	For CFIFO only
	SCLR	Clears the buffer memory on the SIE side	3.4.2.4	For CFIFO only
External pin	DEND	Ends writing to the buffer memory	3.4.3.4	For DMA transfer only

3.4.2.1 FIFO port selection

Table 3.17 shows the pipes that can be selected with the various FIFO ports. The pipe to be accessed is selected using the **CURPIPE** bit of the **C/DxFIFOSEL** register. After the pipe has been selected, "FRDY=1" should be confirmed before accessing the FIFO port.

Also, the bus width to be accessed should be selected using the **MBW** bit. The buffer memory access direction conforms to the **DIR** bit of the **PIPExCFG** register. However, the **ISEL** bit determines this only for the DCP.

Table 3.17 FIFO port access categorized by pipe

Pipe	Access method	Port that can be used
DCP	CPU access	CFIFO port register
PIPE1~PIPE7	CPU access	CFIFO port register DxFIFO port register
	DMA access	DxFIFO port register

3.4.2.2 REW bit

It is possible to temporarily stop access to the pipe currently being accessed, access a different pipe, and then continue processing using the current pipe once again. The **REW** bit of the **C/DxFIFOSEL** register is used for this.

If a pipe is selected when the **REW** bit is set to "1" and at the same time the **CURPIPE** bit of the **C/DxFIFOSEL** register is set, the pointer used for reading from and writing to the buffer memory is reset, and reading or writing can be carried out from the first byte. Also, if a pipe is selected with "0" set for the **REW** bit, data can be read and written in continuation of the previous selection, without the pointer used for reading from and writing to the buffer memory being reset.

To access the FIFO port, "FRDY=1" must be confirmed after selecting a pipe.

3.4.2.3 Reading the buffer memory on the SIE side (CFIFO port reading direction)

Even in the "FRDY=0" state, when data cannot be read from the buffer memory, confirming the **SBUSY** bit in the **CFIFOSIE** register and setting "1" for the **TGL** bit makes it possible for the controller to read and access data on the SIE side. "PID=NAK" should be set and "SBUSY=0" confirmed, and then "TGL=1" written. The controller is then able to read data from the **CFIFO** register. This function can be used only in the buffer memory reading direction. Also, the **BRDY** interrupt is generated by operation of the **TGL** bit.

"1" should not be written for the **TGL** bit in the following circumstances.

- When DCP is selected
- While the buffer memory is being read
- Pipes in the buffer memory writing direction

3.4.2.4 Clearing the buffer memory on the SIE side (CFIFO port writing direction)

The controller can cancel data that is waiting to be sent, by confirming the **SBUSY** bit of the **CFIFOSIE** register and setting "1" for the **SCLR** bit.

"PID=NAK" should be set and "SBUSY=0" confirmed, and then "SCLR=1" written. The controller is then able to write new data from the **CFIFO** register. This function can be used only in the buffer memory writing direction. Also, the **BRDY** interrupt is generated by operation of the **SCLR** bit.

"1" should not be written for the **SCLR** bit in the following circumstances.

- When DCP is selected
- While data is being written to the buffer memory
- Pipes in the buffer memory reading direction

3.4.2.5 Transaction counter (DxFIFO port reading direction)

When the specified number of transactions have been completed in the data packet receiving direction, the controller is able to recognize that the transfer has ended. The transaction counter is a function that operates when the pipe selected by means of the DxFIFO port has been set in the direction of reading data from the buffer memory. The transaction counter has a **TRNCNT** register that specifies the number of transactions and a current counter that counts the transactions internally. When the current counter matches the number of transactions specified in the **TRNCNT** register, reading is enabled for the buffer memory. The current counter of the transaction counter function is initialized by the **TRCLR** bit, so that the transactions can be counted again starting from the beginning. The information read by the **TRNCNT** register differs depending on the setting of the **TRENB** bit.

TRENB=0: The set transaction counter value can be read.

TRENB=1: The value of the current counter that counts the transactions internally can be read.

The conditions for changing the **CURPIPE** bit are as noted below.

- a) The **CURPIPE** bit should not be changed until the transaction for the specified pipe has ended.
- b) The **CURPIPE** bit cannot be changed if the current counter has not been cleared.

The operation conditions for the **TRCLR** bit are as noted below.

- a) If the transactions are being counted and "PID=BUF", the current counter cannot be cleared.
- b) If there is any data left in the buffer, the current counter cannot be cleared.

3.4.3 DMA transfers (DxFIFO port)

3.4.3.1 An overview of DMA transfers

For pipes 1 to 7, the FIFO port can be accessed using the DMAC.

For DMA transfers, there are two modes that can be selected. One is the cycle steal transfer mode, in which the **DREQ** signal is asserted each time a data element (8 or 16 bits) is transferred. The other is the burst transfer mode, in which the **DREQ** signal continues to be asserted until all of the data in the buffer memory has been transferred. For information regarding the timing, please refer to Chapter 4, Electrical characteristics.

The unit of transfer to the FIFO port (8 or 16 bits) should be selected using the **MBW** bit of the **DxFIFOSEL** register, and the pipe targeted for the DMA transfer should be selected using the **CURPIPE** bit. The selected pipe should not be changed during the DMA transfer.

3.4.3.2 Selecting the DMA control signal

The **DFORM** bit of the **DMAxCFG** register should be used to select the pin to be used in the DMA transfer. Table 3.18 shows the DMA control pins of the controller. Figure 3.22 shows the DMA control signal.

Table 3.18 DMA control pins

Access method	Register				Pin					Note	
	DREQE	DFORM			DATA BUS	DREQ	DACK	RD/WR	ADDR +CS		DSTB
CP bus 0	0	0	0	0	CPU	-	-	v	v	-	CPU access
CPU bus 1	1	0	0	0	CPU	v	-	v	v	-	DMA with CPU bus
CPU bus 2	1	0	1	0	CPU	v	v	v	*2)	-	DMA with CPU bus
CPU bus 3	1	0	1	1	CPU	v	v	-	*2)	-	DMA with CPU bus
SPLIT bus 1	1	1	1	0	SPLIT	v	v	-	-	v	Split bus *1)
SPLIT bus 2	1	1	0	0	SPLIT	v	v	-	-	-	Split bus

- *1) This access method can be set only in relation to the D0FIFO port. Also, if using the D0FIFO port with this setting and also using the D1FIFO port, the D1FIFO port should be used with the setting “DFORM=000”.
- *2) When this access method is set CS_N pin should be held inactive (should be held in the high state) while the DMAC accesses to the DxFIFO port.

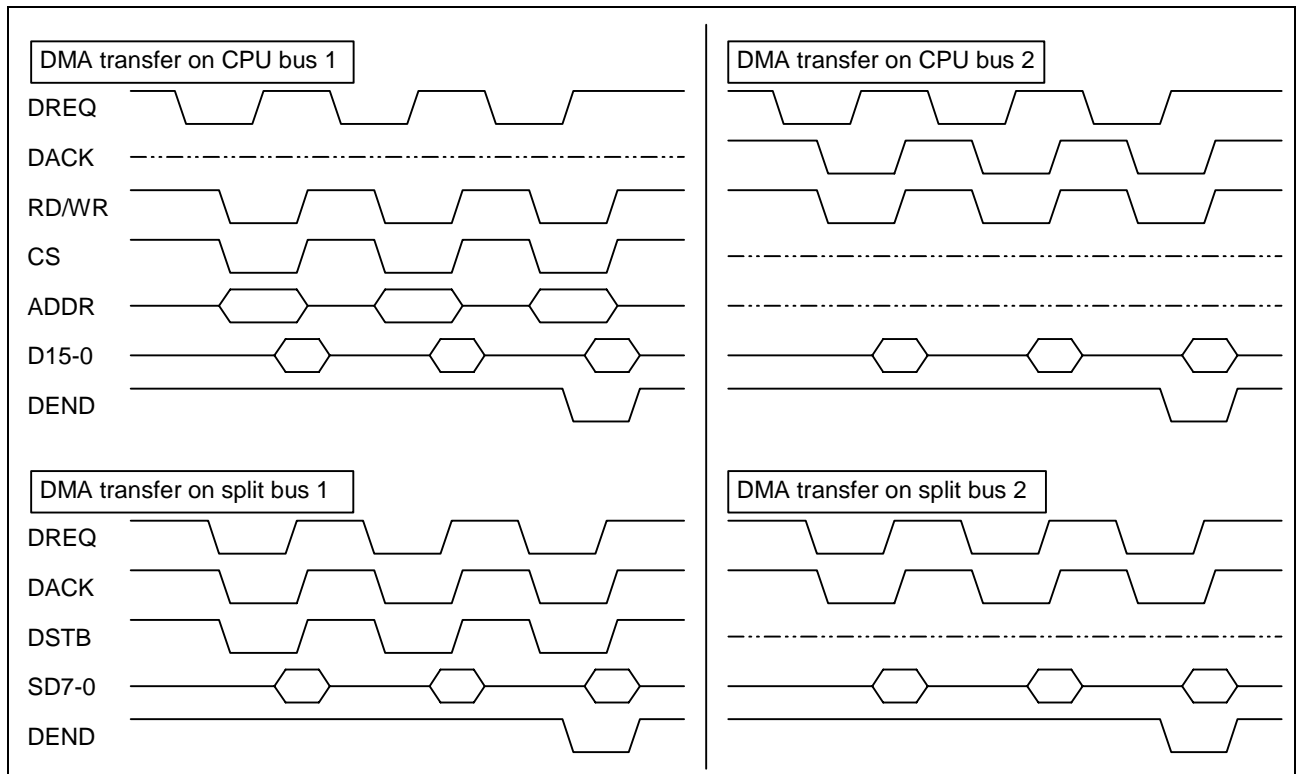


Figure 3.22 DMA control pins operation by FIFO port accessing methods

3.4.3.3 Zero-Length packet addition mode (DxFIFO port writing direction)

With this controller, it is possible to add and send one Zero-Length packet after all of the data has been sent, under the conditions noted below, by setting “1” for the **DEZPM** bit of the **DxFIFOSEL** register. This function can be set only if the buffer memory writing direction has been set (a pipe in the sending direction has been set for the **CURPIPE** bit).

If the number of data bytes written to the buffer memory is a multiple of the integer for the maximum packet size when the **DEND** signal is received

3.4.3.4 DEND pin

The controller is able to terminate DMA transfers that used the **DEND** pin. The **DEND** pin has separate input and output functions, depending on the USB data transfer direction.

(1) Buffer memory reading direction

The **DEND** pin becomes an output pin, making it possible to notify the external DMA controller of the final data transfer. The conditions under which the **DEND** signal is asserted can be set using the **PKTM** bit of **DMACFG** register.

Table 3.19 shows the **DEND** pin assertion conditions for the controller.

Table 3.19 DEND pin assertions

Event PKTM	Transaction count ended	BRDY generated upon reception of packet	Reception of short packet other than Zero-Length packet	Reception of Zero-Length packet when buffer is not empty	Reception of Zero-Length packet when buffer is empty *1
0	Asserted	Not asserted	Asserted	Asserted	Asserted
1	Asserted	Asserted	Asserted	Asserted	Not asserted

*1) With reception of a Zero-Length packet when the buffer is empty, the **DREQ** signal is not asserted.

(2) Buffer memory writing direction

The **DEND** pin becomes the input pin, and data can be sent from the buffer memory (the same situation as when “**BVAL=1**” is set).

3.4.3.5 DxFIFO auto clear mode (DxFIFO port reading direction)

If “1” is set for the **DCLRM** bit of the **DxFIFOSEL** register, the controller automatically clears the buffer memory of the pertinent pipe when reading of the data from the buffer memory has been completed.

Table 3.20 shows the packet reception and buffer memory clearing processing for each of the various settings.

Using the **DCLRM** bit eliminates the need for the buffer to be cleared by software even if a situation occurs that necessitates clearing of the buffer. This makes it possible to carry out DMA transfers without involving the control program. This function can be set only in the buffer memory reading direction.

Table 3.20 Packet reception and buffer memory clearing processing

Register setting Buffer status when packet is received	DCLRM = “0”		DCLRM = “1”	
	BFRE=0	BFRE=1	BFRE=0	BFRE=1
Buffer full	Doesn't need to be cleared	Doesn't need to be cleared	Doesn't need to be cleared	Doesn't need to be cleared
Zero-Length packet reception	Needs to be cleared	Needs to be cleared	Doesn't need to be cleared	Doesn't need to be cleared
Normal short packet reception	Doesn't need to be cleared	Needs to be cleared	Doesn't need to be cleared	Doesn't need to be cleared
Transaction count ended	Doesn't need to be cleared	Needs to be cleared	Doesn't need to be cleared	Doesn't need to be cleared

3.4.3.6 BRDY interrupt timing selection function

By setting the **BFRE** bit of the **PIPECFG** register, it is possible to keep the **BRDY** interrupt from being generated when a data packet consisting of the maximum packet size is received.

When using DMA transfers, this function can be used to generate an interrupt only when the last data item has been received. The “last data item” refers to the reception of a short packet, or the ending of the transaction counter. When a short packet has been received, the **BRDY** interrupt is generated after the received data has been read. When the **BRDY** interrupt is generated, the length of the data received in the last data packet to have been received can be confirmed.

Table 3.21 shows the timing at which the **BRDY** interrupts are generated by the controller.

Table 3.21 Timing at which **BRDY** interrupts are generated

Register setting Buffer state when packet is received	BFRE = “0”	BFRE = “1”
Buffer full	When packet is received	Not generated
Zero-Length packet received	When packet is received	When packet is received
Normal packet received	When packet is received	When reading of the received data from the buffer memory has been completed
Transaction counter ended	When packet is received	When reading of the received data from the buffer memory has been completed

This function is valid only in the direction of reading from the buffer memory. In the writing direction, the **BFRE** bit should be fixed at “0”.

3.4.4 Timing at which the FIFO port can be accessed

This chapter explains the access timing to FIFO port. When there is no description, both a Host and Peripheral are the same operation.

3.4.4.1 Timing at which the FIFO port can be accessed when switching pipes

Figure 3.23 shows a diagram of the timing up to the point where the **FRDY** bit and **DTLN** bit are determined when the pipe specified by the FIFO port has been switched (the **CURPIPE** bit of the **C/DxFIFOSEL** register has been changed).

If the **CURPIPE** bit has been changed, access to the FIFO port should be carried out after waiting 450 ns after writing to the **C/DxFIFOSEL** register.

The same timing applies with respect to the CFIFO port, when the **ISEL** bit is changed.

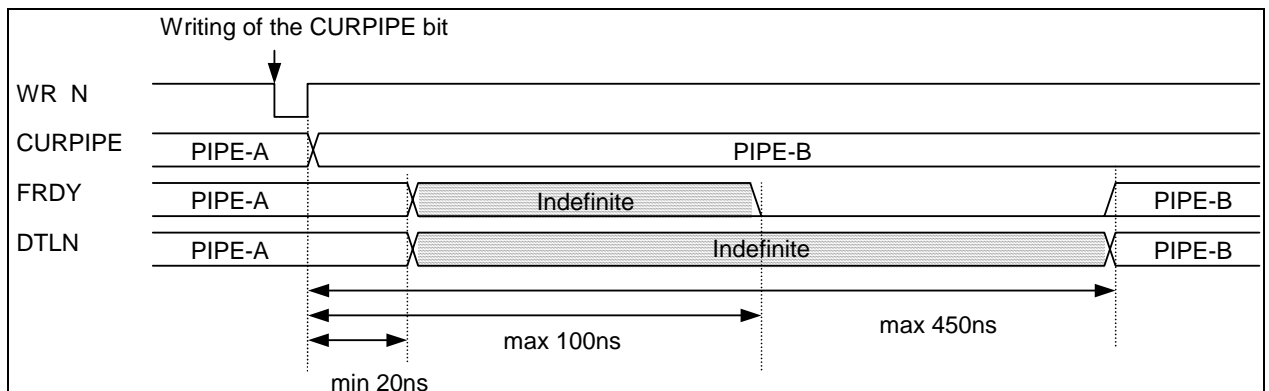


Figure 3.23 Timing at which the **FRDY** and **DTLN** bits are determined after changing a pipe

3.4.4.2 Timing at which the FIFO port can be accessed after reading/writing has been completed when using a double buffer

Figure 3.24 shows the timing at which, when using a pipe with a double buffer, the other buffer can be accessed after reading from or writing to one buffer has been completed.

When using a double buffer, access to the FIFO port should be carried out after waiting 300 ns after the access made just prior to toggling.

The same timing applies when a short packet is being sent based on the “BVAL=1” setting using the IN direction pipe.

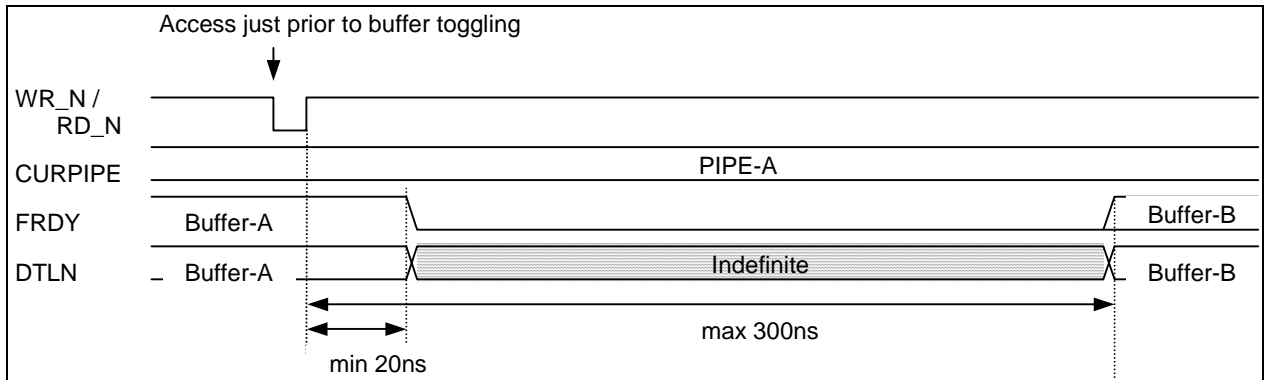


Figure 3.24. Timing at which the FRDY and DTLN bits are determined after reading from or writing to a double buffer has been completed

3.5 Data setup timing

This section describes the **OBUS** bit used to select the timing of split bus.. When there is no description, both a Host and Peripheral are the same operation.

With this controller, the timing of the SD0-7 and DEND pin can be changed as shown in Table 3.22, using the **OBUS** bit of the **DMAxCFG** register. The **OBUS** bit is a function that is valid only for DMA transfers using a split bus. When using the CPU bus for DMA transfers, the setting of the **OBUS** bit is ignored.

Table 3.22 Differences in operation based on the value set for the OBUS bit

Direction	OBUS bit setting	Operation
Reading	0	The SD0-7 and DEND signals are output on an ongoing basis, regardless of the control signal *1) The next data is output when the control signal is negated. This assures data setup time for the DMAC and enables high-performance DMA transfers.
	1	The SD0-7 and DEND signals are output after the control signal has been asserted. The SD0-7 and DEND signals go to the Hi-Z state when the control signal is negated.
Writing	0	The SD0-7 and DEND signals can be input on an ongoing basis, regardless of the DACKx_N signal. The DMAC can output the next data before the DACKx_N signal is asserted. This assures data setup time for the controller and enables high-performance DMA transfers.
	1	The SD0-7 and DEND signals can be input only if the DACKx_N signal is asserted. The SD0-7 and DEND signals are ignored if the DACKx_N signal is negated.

*1) "Control signal" refers to the DACKx_N signal if the DFORM[9-7] of the DMAxCFG register is "100".
If the DFORM[9-7] is "110", it refers to both DACK0_N and DSTRB0_N. In this case, "assertion of the control signal" means the state in which either DACK0_N or DSTRB0_N is asserted.

If "OBUS=0" is set in the reading direction, the SD0-7 and DEND signals are output on an ongoing basis, so please be aware that sharing the bus with another device can cause the signals to collide.

If "OBUS=0" is set in the writing direction, the SD0-7 and DEND signals can be input on an ongoing basis, so the user should make sure that the signals are not set to an intermediate potential.

Figure 3.25 shows a schematic diagram of the data setup timing based on the **OBUS** bit.

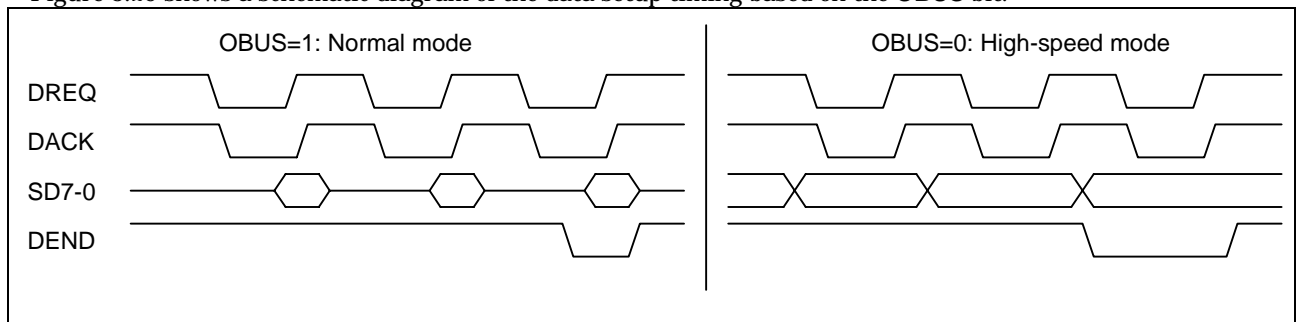


Figure 3.25 Schematic diagram of data setup timing

3.6 Control transfers (DCP)

Data transfers of the data stage of control transfers are done using the default control pipe (DCP). The DCP buffer memory is a 256-byte single buffer, and is a fixed area that is shared for both control reading and control writing. The buffer memory can be accessed through the CFIFO port.

3.6.1 Host mode

3.6.1.1 Setup stage

S/W writes the data of an setup packet in **USBREG** register, **USBVAL** register, **USBINDX** register, and **USBLENG** register. The controller transmits an setup packet by writing 1 in the **SUREQ** bit of **DCPCTR** register. After a transaction ends the "**SUREQ**" bit, a controller writes in "0". During "**SUREQ** =1" does not operate the USB request registers. The device address of a setup transaction is specified in the **DEVSEL** bit of a **DCPMAXP** register.

If the response from peripheral is received, the controller generates interrupt request (the **SIGN** bit or **SACK** bit of **INTSTS1** register). S/W can check a setup transaction result by these interrupt request.

The data packet of a setup transaction is always transmitted as DATA0.

3.6.1.2 Data stage

Communication of a data stage uses a **DCP** buffer memory. S/W sets up the access direction in the **ISEL** bit of a **CFIFSEL** register. Moreover, set up the transmission direction in the **DIR** bit of a **DCPCFG** register.

The 1st data packet of a data stage needs to communicate considering Data PID as DATA1. Data PID is set to DATA1 by the **SQSET** bit of a **DCPCFG** register, and a transaction is performed by setting a **PID** bit as BUF. S/W detects completion of data transmission by **BRDY** interruption and **BEMP** interruption. Data transmission of two or more packets is possible by setting up continuous transfer mode. However, in the case of the receiving direction, unless it becomes buffer full or receives a short packet, BRDY interruption does not occur.

Moreover, in control write transmission, control the last packet to become a short packet containing a Zero-Length packet by S/W.

In the case of the data transmitting direction at the time of Hi-Speed communication, a PING packet is transmitted. Control of a PING packet is the same as that of a bulk transfer. Please refer to Chapter 3.7.1.

3.6.1.3 Status stage

A status stage is data transmission of the Zero-Length packet. The communication direction is opposite to a data stage. It is the data transmission which used the DCP buffer memory. A transaction is performed in the same procedure as a data stage.

The 1st data packet of a status stage needs to communicate considering Data PID as DATA1. Data PID is set to DATA1 by the **SQSET** bit of a **DCPCFG** register.

Reception of a Zero-Length packet should check receiving data length in the **DTLN** bit of the **CFIFOCTR** register after BRDY interruption generating, and should perform a buffer memory clearance in a **BCLR** bit.

In the case of the data transmitting direction at the time of Hi-Speed communication, a PING packet is transmitted. Control of a PING packet is the same as that of a bulk transfer. Please refer to Chapter 3.7.1.

3.6.2 Peripheral mode

3.6.2.1 Setup stage

The controller always sends an ACK response in response to a setup packet that is normal with respect to the controller. The operation of the controller in the setup stage is noted below.

- (1) When a new USB request is received, the controller sets the following registers:
- (2) Set the **VALID** bit of the **INTSTS0** register to "1".
- (3) Set the **PID** bit of the **DCPCTR** register to "NAK".
- (4) Set the **CCPL** bit of the **DCPCTR** register to "0".
- (5) When a data packet is received right after the **SETUP** packet, the USB request parameters are stored in the **USBREQ**, **USBVAL**, **USBINDEX** and **USBLENG** registers.

Response processing with respect to the controller should always be carried out after first setting "VALID=0". In the "VALID=1" state, "PID=BUF" cannot be set, and the data stage cannot be terminated.

Using the function of the **VALID** bit, the controller is able to interrupt the processing of a request currently being processed if a new USB request is received during a control transfer, and can send a response in response to the newest request.

Also, the controller automatically judges the direction bit (bit 8 of the **bmRequestType**) and the request data length (**wLength**) of the USB request that was received, and then distinguishes between control read transfers, control write transfers, and control write no-data transfers, and controls the stage transition. For a wrong sequence, the sequence error of the control transfer stage transition interrupt is generated, and the control program is notified. For information on the stage control of the controller, please refer to Figure 3.17, Control transfer stage transition diagram.

3.6.2.2 Data stage

Data transfers corresponding to USB requests that have been received should be done using the DCP. Before accessing the DCP buffer memory, the access direction should be specified using the **ISEL** bit of the **CFIFOSEL** register.

If the data being transferred is larger than the size of the DCP buffer memory, the data transfer should be carried out using the **BRDY** interrupt for control write transfers and the **BEMP** interrupt for control read transfers.

With control write transfers during Hi-Speed operation, the NYET handshake response is carried out based on the state of the buffer memory. For information on the NYET handshake, please refer to Chapter 3.7.2, NYET handshake control.

3.6.2.3 Status stage

Control transfers are terminated by setting the **CCPL** bit to "1" with the **PID** bit of the **DCPCTR** register set to "PID=BUF".

After the above settings have been entered, the controller automatically executes the status stage in accordance with the data transfer direction determined at the setup stage. The specific procedure is as follows.

- (1) For control read transfers:
The Zero-Length packet is received from the USB host, and the controller sends an ACK response.
- (2) For control write transfers and no-data control transfers:
The controller sends a Zero-Length packet and receives the ACK response from the USB host.
The Zero-Length packet is received from the USB host, and the ACK response is sent.

3.6.2.4 Control transfer auto response function

The controller automatically responds to a normal **SET_ADDRESS** request. If any of the following errors occur in the **SET_ADDRESS** request, a response from the S/W is necessary.

- | | | |
|---|----------------------|---------------------|
| (1) Any transfer other than a control read transfer: | bmRequestType | ≠ "0x00" |
| (2) If a request error occurs: | wIndex | ≠ "0x00" |
| (3) For any transfer other than a no-data control transfer: | wLength | ≠ "0x00" |
| (4) If a request error occurs: | wValue | > "0x7F" |
| (5) Control transfer of a device state error: | DVSQ | = "011(Configured)" |

For all requests other than the **SET_ADDRESS** request, a response is required from the corresponding software.

3.7 Bulk transfers (PIPE1-5)

The user can select the buffer memory specifications for bulk transfers (single / double buffer setting, or continuous / non-continuous transfer mode setting). The maximum size that can be set for the buffer memory is 2 KB. The buffer memory state is controlled by the controller, with a response sent automatically for a PING packet / NYET handshake. If "MXPS=0" has been set, the interrupt specifications are different from those of the other pipes. For detailed information, please refer to 3.3.3 Maximum packet size setting.

3.7.1 PING packet control in the Host mode

Transmission of the PING packet of the OUT direction is automatically sent out by this controller. An initial state is in a PING packet sending-out state as shown below. An OUT packet is sent out after receiving an ACK handshake. If NAK or NYET is received, it will return to a PING sending-out state.

Moreover, this control is the same as a data stage and a status stage of control transfer.

1. OUT Data Transmitting Setup
2. PING Packet Transmission
3. ACK Handshake Reception
4. OUT Data Packet Transmission
5. ACK Handshake Reception
6. OUT Data Packet Transmission
- :
7. NAK/NYET Handshake Reception
8. PING Packet Transmission

The factors from which this controller returns to transmission of a PING packet are H/W reset, S/W reset, NYET/NAK handshake reception, the set of a sequence toggle bit, a clearance (**SQSET**, **SQCLR**), and a buffer clearance (**ACLRM**) setup.

3.7.2 NYET handshake control in the Peripheral mode

Table 3.23 shows the NYET handshake responses of the controller. The NYET response of the controller is made in conformance with the conditions noted below. When a short packet is received, however, the response will be an ACK response rather than a NYET packet response. The same applies to data stages of control write transfers.

Table 3.23 NYET handshake responses

Value set for PID bit	Buffer memory state	Token	Response	Note
NAK/STALL	-	SETUP	ACK	-
	-	IN/OUT/PING	NAK/STALL	-
BUF	-	SETUP	ACK	-
	RCV-BRDY*1	OUT/PING	ACK	If an OUT token is received, a data packet is received.
	RCV-BRDY*2	OUT	NYET	Notification of whether a data packet is received or cannot be received
	RCV-BRDY*2	OUT (Short)	ACK	Notification of whether a data packet is received or cannot be received
	RCV-BRDY*2	PING	ACK	Notification that reception is not possible
	RCV-NRDY	OUT / PING	NAK	Notification that reception is not possible
	TRN-BRDY	IN	DATA0 / 1	Data packet transmission
	TRN-NRDY	IN	NAK	TRN-NRDY

*1) Buffer memory is state is as following;

RCV-BRDY*1: When an OUT/PING token is received, there is space in the buffer memory for two or more packets.

RCV-BRDY*2: When an OUT token is received, there is only enough space in the buffer memory for one packet.

RCV-NRDY: When a PING token is received, there is no space in the buffer memory.

TRN-BRDY: When an IN token is received, there is data to be sent in the buffer memory.

TRN-NRDY: When an IN token is received, there is no data to be sent in the buffer memory.

3.8 Interrupt transfers(PIPE6-7)

In the Peripheral mode, the controller carries out interrupt transfers in accordance with the timing controlled by the host controller. For interrupt transfers, PING packets are ignored (no response is sent), and the ACK, NAK and STALL responses are carried out without an NYET handshake response being made.

In the Host mode, this controller can set up the transmitting timing of a token by interval counter. This controller does not transmit a PING token at the time of interruption out transmission. When NYET from peripheral is received, this controller carries out the same operation as ACK reception.

The controller does not support High-Bandwidth transfers of interrupt transfers.

3.8.1 Interval counter in the Host mode

3.8.1.1 Overview

Set the interval of a transaction as the **IITV** bit of **PIPEPERI** at the Interrupt transfer. This controller sends out the token of Interrupt transfer according to the **IITV** bit.

3.8.1.2 Initialization of a counter

The conditions on which this controller initializes an interval counter are as follows.

(1) H/W reset

IITV bit is initialized.

(2) S/W reset

IITV bit is initialized.

(3) The return from Low-power sleep state

An **IITV** bit is initialized.

(4) Buffer memory initialization by **ACLRM**

A count is initialized although an **IITV** bit is not initialized. By setting an **ACLRM** bit to 0, the setting value of **IITV** is counted from the beginning.

In the following cases, an interval counter is not initialized.

(1) USB bus reset, USB suspend

An **IITV** bit is not initialized. By setting a **UACT** bit to 1, a count is started from the value before considering as USB bus reset or a USB suspend state.

3.8.1.3 When a token is not transmitted

When as follows, a token is not transmitted even if it is the transmitting timing of a token. In such a case, execution of a transaction is tried at the next interval.

(1) When PID is set as NAK or STALL

(2) When a buffer memory is not empty at the time of transmission of the IN direction (reception).

(3) When there is no transmitting data in a buffer memory at the time of transmission of the OUT direction (transmission).

3.9 Isochronous transfers(PIPE1-2)

The controller is equipped with the following functions pertaining to isochronous transfers.

- (1) Notification of isochronous transfer error information
- (2) Interval counter (specified by the **IITV** bit)
- (3) Isochronous IN transfer data setup control (IDLY function)
- (4) Isochronous IN transfer buffer flush function (specified by the **IFIS** bit)
- (5) SOF pulse output function

The controller does not support the High-Bandwidth transfers of isochronous transfers.

3.9.1 Error detection with isochronous transfers

The controller has a function for detecting the error information noted below, so that when errors occur in isochronous transfers, software can control them. Table 3.24 and Table 3.25 show the order in which errors are confirmed, and the interrupts that are generated.

- (1) PID errors
If the PID is illegal
- (2) CRC errors and bit stuffing errors
If an error occurs in the CRC of the packet being received, or the bit stuffing is illegal
- (3) Maximum packet size exceeded
The maximum packet size exceeded the set value.
- (4) Overrun and underrun errors
 - (a) In the Host mode
 - When a buffer memory is not empty at the time of transmission of the IN direction
 - When there is no transmitting data in a buffer memory at the time of transmission of the OUT direction
 - (b) In the Peripheral mode
 - When a buffer memory is not empty at the time of the OUT token is received.
 - When there is no transmitting data in a buffer memory at the time of the IN token is received.
- (5) Interval errors
In the Peripheral mode, The following cases are interval error.
 - During an isochronous IN transfer, the In token could not be received during the interval frame.
 - During an isochronous OUT transfer, the OUT token is received out of the interval frame.

Table 3.24 Error detection when a token is received

Detection priority order	Error	Generated interrupt and status
1	PID errors	No interrupt generated (ignored)
2	CRC error and bit stuffing errors	No interrupt generated (ignored)
3	Overrun and underrun errors	NRDY interrupt, OVRN bit set In the Host mode, the controller does not transmit a token. In the Peripheral mode, the controller transmits a Zero-Length to IN token. The controller does not receive a data packet to an OUT token.
4	Interval errors	NRDY interrupt is generated in the Peripheral mode.

Table 3.25 Error detection when a data packet is received

Detection priority order	Error	Generated interrupt and status
1	PID errors	No interrupt generated (ignored)
2	CRC error and bit stuffing errors	NRDY interrupt generated CRCE bit set
3	Maximum packet size exceeded error	BEMP interrupt PID set to "STALL"

3.9.2 DATA-PID

Because High-Bandwidth transfers are not supported, In the Peripheral mode, the DATA-PID added with the USB 2.0 standard is supported as indicated below.

- (1) IN direction:
 - (a) DATA0: Sent as data packet PID
 - (b) DATA1: Not sent
 - (c) DATA2: Not sent
 - (d) mData: Not sent
- (2) OUT direction(when using Full-Speed operation):
 - (a) DATA0: Received normally as data packet PID
 - (b) DATA1: Received normally as data packet PID
 - (c) DATA2: Packet is ignored
 - (d) mData: Packet is ignored
- (3) OUT direction(when using Hi-Speed operation):
 - (a) DATA0: Received normally as data packet PID
 - (b) DATA1: Received normally as data packet PID
 - (c) DATA2: Received normally as data packet PID
 - (d) mData: Received normally as data packet PID

3.9.3 Interval counter

3.9.3.1 An overview of operation

The isochronous interval can be set using the IITV bit of the PIPEPERI register. In the Peripheral mode, interval counter is used for the function of a table. In the Host mode, the transmitting timing of a token is generated.

Table 3.26 The function of an interval counter in the Peripheral mode

Direction	Function	Detection conditions
IN	IN buffer flush	When a token cannot be normally received in the interval frame during an isochronous IN transfer
OUT	Notification of a token not being received	When a token cannot be normally received in the interval frame during an isochronous OUT transfer

The interval count is carried out when an SOF is received or for interpolated SOFs, so the isochronism can be maintained even if an SOF is damaged. The frame interval that can be set is $2^{IITV(u)}$ frames.

3.9.3.2 Counter initialization in the Peripheral mode

The controller initializes the interval counter under the following conditions.

- (1) H/W reset
The **IITV** bit is initialized.
- (2) S/W reset by **USBE** bit
The **IITV** bit is initialized.
- (3) The return from Low-power sleep state
The **IITV** bit is initialized.
- (4) Buffer memory initialization by the **ACLRM** bit.
A count is initialized although an **IITV** bit is not initialized. By setting an **ACLRM** bit to 0, the setting value of **IITV** is counted from the beginning.

After the interval counter has been initialized, the counter is started under the following conditions, when a packet has been transferred normally.

- (1) An SOF is received following transmission of data in response to an IN token, in the "PID-BUF" state
- (2) An SOF is received after data following an OUT token is received in the "PID=BUF" state

The interval counter is not initialized under the conditions noted below.

- (1) The pipe is disabled
The "PID=NAK or STALL" setting temporarily stops the count, and the count resumes upon "PID=BUF".
- (2) The USB is suspended and Bus reset
The count stops temporarily and then continues when SOF packet is received.

3.9.4 Setup of data to be transmitted using isochronous transfer in the Peripheral mode.

With isochronous data transmission using this controller at Peripheral mode, after data has been written to the buffer memory, a data packet can be sent with the next frame in which an SOF packet is detected. This function is called the isochronous transfer transmission data setup function, and it makes it possible to designate the frame from which transmission began.

If a double buffer is being used for the buffer memory, transmission will be enabled for only one of the two buffers even after the writing of data to both buffers has been completed, that buffer memory being the one to which the data writing was completed first. For this reason, even if multiple IN tokens are received, the only buffer memory that can be sent is one packet's worth of data.

When an IN token is received, if the buffer memory is in the transmission enabled state, the controller transmits the data. If the buffer memory is not in the transmission enabled state, however, a Zero-Length packet is sent and an underrun error occurs.

Figure 3.26 shows an example of transmission using the isochronous transfer transmission data setup function with the controller, when "IITV=0 (every frame)" has been set. Sending of a Zero-Length packet is displayed in the illustration as "Null", in a shaded box.

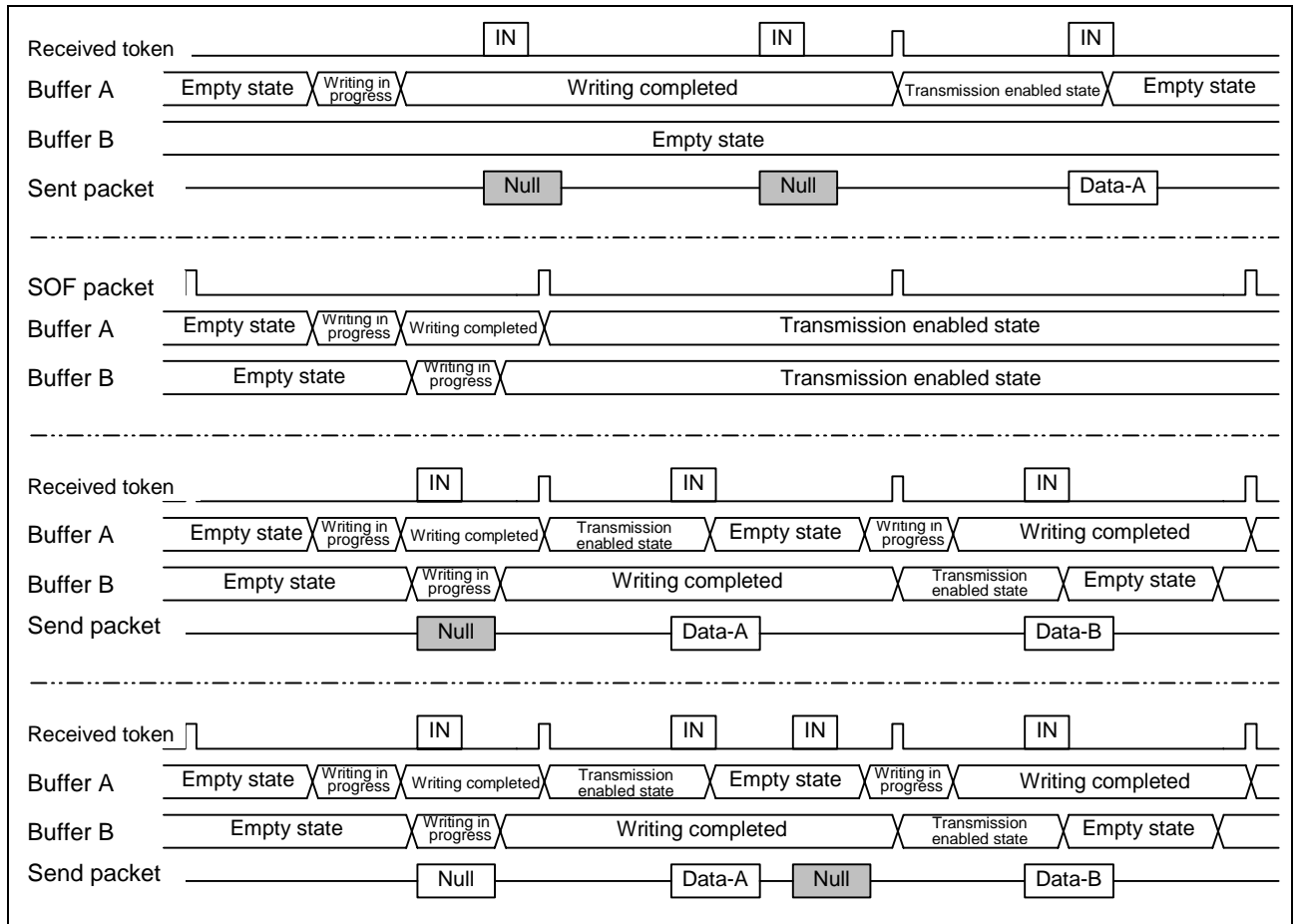


Figure 3.26 Example of data setup function operation

3.9.5 Isochronous transfer transmission buffer flush

In the Peripheral mode if a (u) SOF packet is received without an IN token having been received in the interval frame during isochronous data transmission, the controller operates as if an IN token had been corrupted, and clears the buffer for which transmission is enabled, putting that buffer in the writing enabled state.

If a double buffer is being used at that time and writing has been finished to both buffers, the buffer memory that was cleared is seen as the data having been sent at the same interval frame, and transmission is enabled for the other buffer memory.

The timing at which the operation of the buffer flush function begins varies depending on the value set for the IITV bit.

- (1) If IITV=0
The buffer flush operation starts from the next frame after the pipe becomes valid.
- (2) In any case other than IITV=0
The buffer flush operation is carried out subsequent to the first normal transaction.

Figure 3.27 shows an example of the buffer flush function of the controller. When an unanticipated token prior to the interval frame is received, the controller sends the written data or a Zero-Length packet in accordance with buffer state.

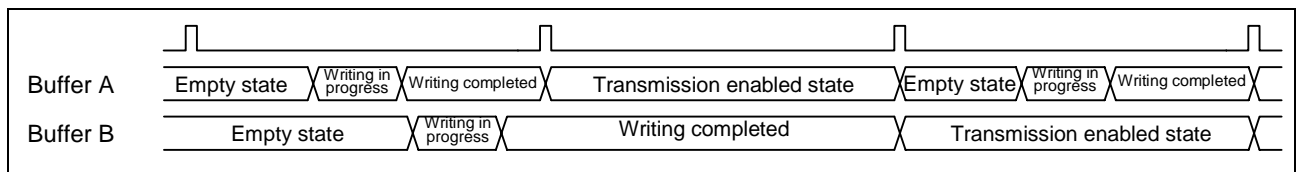


Figure 3.27 Example of buffer flush function operation

Figure 3.28 shows an example of the controller generating an interval error. There are five types of interval errors, as noted below. The interval error is generated at the timing indicated by ① in the illustration, and the buffer flush function is activated.

If the interval error occurs during an IN transfer, the buffer flush function is activated, and if it occurs during an OUT transfer an NRDY interrupt is generated.

The OVRN bit should be used to distinguish between NRDY interrupts such as received packet errors and overrun errors.

In response to tokens that are shaded in the illustration, responses occur based on the buffer memory status.

- (1) IN direction
 - (a) If the buffer is in the transmission enabled state, the data is transferred as a normal response .
 - (b) If the buffer is in the transmission disabled state, a Zero-Length packet is sent and an underrun error occurs.
- (2) OUT direction
 - (a) If the buffer is in the reception enabled state, the data is received as a normal response.
 - (b) If the buffer is in the reception disabled state, the data is discarded and an overrun error occurs.

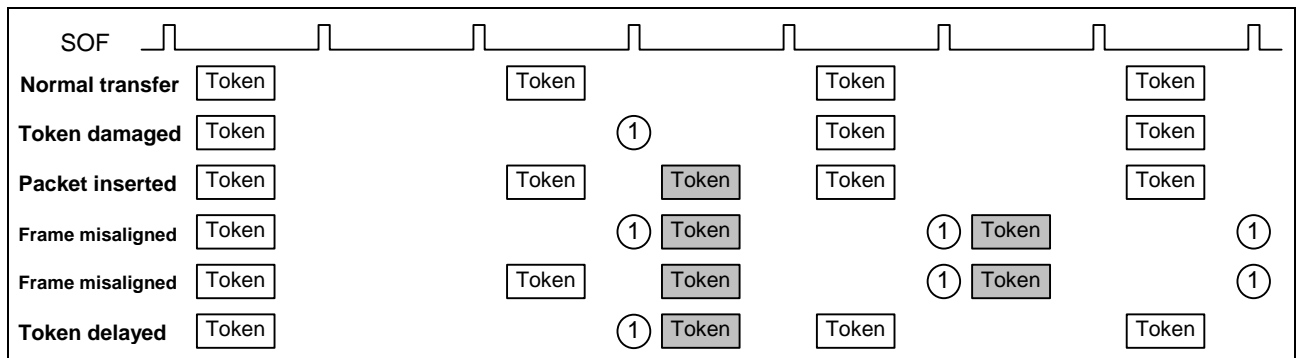


Figure 3.28 Example of interval error being generated when “IITV=1”

3.10 SOF interpolation function

In the Peripheral mode, if data could not be received at intervals of 1 ms (when using Full-Speed operation) or 125 μ s (when using Hi-Speed operation) because an SOF packet was corrupted or missing, the controller interpolates the SOF. The SOF interpolation operation begins when “USBE=1”, “SCKE=1” and an SOF packet is received. The interpolation function is initialized under the following conditions.

- (1) H/W reset
- (2) S/W reset
- (3) USB bus reset
- (4) Suspend state detected

Also, the SOF interpolation operates under the following specifications.

- (1) 125 μ s/1 ms conforms to the results of the reset handshake protocol.
- (2) The interpolation function is not activated until an SOF packet is received.
- (3) After the first SOF packet is received, either 125 μ s or 1 ms is counted at an internal clock of 48 MHz, and interpolation is carried out.
- (4) After the second and subsequent SOF packets are received, interpolation is carried out at the previous reception interval.
- (5) Interpolation is not carried out in the suspended state or while a USB bus reset is being received.
(With suspended transitions during Hi-Speed operation, interpolation continues for 3 ms after the last packet is received.)

The controller supports the following functions based on the SOF detection. Those functions also operate normally with SOF interpolation is also activated for the following functions, if the SOF packet was corrupted.

- (1) Refreshing of the frame number and micro-frame number
- (2) SOFR interrupt timing and uSOF lock
- (3) SOF pulse output
- (4) Isochronous transfer interval count

If an SOF packet is missing when Full-Speed operation is being used, the **FRNM** bit of the **FRMNUM0** register is not refreshed. If a μ SOF packet is missing during Hi-Speed operation, the **UFRNM** bit of the **FRMNUM1** register is refreshed.

However, if a μ SOF packet for which “ μ FRNM=000” is missing, the **FRNM** bit is not refreshed. If this happens, the **FRNM** bit is not refreshed even if successive μ SOF packets other than “ μ FRNM=000” are received normally.

3.10.1 SOF pulse output

When SOF output is enabled, the controller is able to output SOF signals at the timing at which the SOFs are received. When the value of the **SOFM** bit of the **SOFCFG** register is “01” (1 ms SOF) or “10” (125 μ s SOF), pulses are output from the SOF_N pin in the “L” active state. These are called “SOF signals”. For information on pulse timing, please see Figure 3.29 The controller outputs SOF output based on SOF packet reception events or SOF interpolation events at uniform intervals.

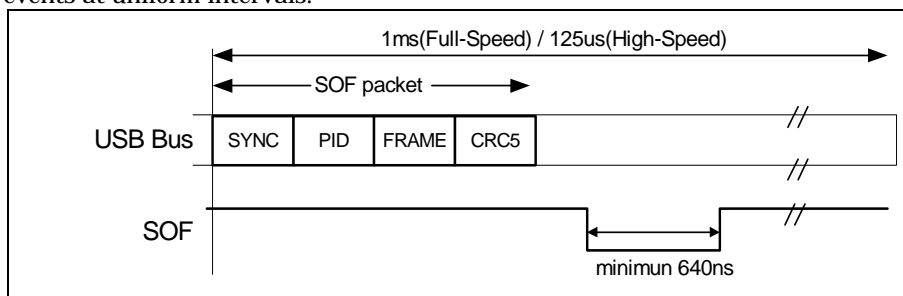


Figure 3.29 SOF output timing

3.11 Communication schedule

3.11.1 The generation conditions of a transaction

In the Host mode, This controller generates a transaction according to the following conditions after supply of an internal clock, and a setup of "UACT=1."

Table 3.27 The generation conditions of a transaction

Transaction	Generation conditions				
	DIR	PID	IITV*2)	Status of buffer	SUREQ
Setup	/	/	/	/	Set 1
The data stage of control transmission, status stage, bulk transfer	IN	BUF	Invalid	There is a receiving area	/
	OUT	BUF	Invalid	There is a sending data	/
Interrupt transfer	IN	BUF	Effective	There is a receiving area	/
	OUT	BUF	Effective	There is a sending data	/
Isochronous transfer	IN	BUF	Effective	*3)	/
	OUT	BUF	Effective	*4)	/

- *1) It is shown that slashes are conditions which are unrelated to generation of a token.
- *2) The Effective means being generated only with the transmission frame by the interval counter. It is shown that the Invalid is generated regardless of an interval counter.
- *3) The controller generates a transaction regardless of a receiving area. However, receiving data is canceled when there is no receiving area.
- *4) The controller generates a transaction regardless of a sending data. However, when there is no transmitting data, Zero-Length Packet is transmitted.

3.11.2 Communication schedule

This chapter explains the scheduling of transmission in the frame of this controller. After transmitting SOF , this controller transmits packets as follows.

- (1) Execution of periodic transmission
The controller executes transactions, if it searches in order of PIPE1 ->PIPE2 ->PIPE6 ->PIPE7 and there is a pipe in which the transaction of isochronous transfer or interrupt transfer is possible.
- (2) Execute setup transaction of control transfer
DCP is checked, and if the setup transaction is possible, it will transmit.
- (3) Execute bulk transfer, data stage and status stage of control transfer,
The controller searches PIPEs in following order. And a transaction will be executed if there is PIPE which can execute the transaction of bulk, a control transmission data stage, and a control transmission status stage.

The order of search : DCP -> PIPE1 -> PIPE2 -> PIPE3 -> PIPE4 -> PIPE5

When a transaction is executed, regardless of the response from Peripheral, it moves to the next PIPE. Moreover, (3) will be repeated if there is time to transmit in a frame.

3.11.3 USB Communication enable

By setting the UACT bit of a DVSTCTR register as "1", transmission of SOF or uSOF is started and execution of a transaction is enabled.

If a UACT bit is set as "0", transmission of SOF or uSOF will be stopped and it will be suspended. When setting a UACT bit as 1->0, a controller stops sending packets, after it transmits next SOF or next uSOF.

4 Electrical characteristics

4.1 Absolute maximum ratings

Symbol	Item	Rated value	Unit	
VDD	Core power supply voltage	-0.3~+2.4	V	
VIF	IO power supply voltage	-0.3~+4.0	V	
AFEA33V	USB transceiver analog 3.3V power supply voltage	-0.3~+4.0	V	
AFED33V	USB transceiver digital 3.3V power supply voltage	-0.3~+4.0	V	
AFEA15V	USB transceiver analog 1.5V power supply voltage	-0.3~+2.4	V	
AFED15V	USB transceiver digital 1.5V power supply voltage	-0.3~+2.4	V	
VBUS	VBUS input voltage	-0.3~+5.5	V	
V _I (IO)	System interface input voltage	-0.3 ~VIF+0.3	V	
V _O (IO)	System interface output voltage	-0.3~VIF+0.3	V	
Pd	Power consumption	400	mW	
Tstg	Storage temperature	M66596FP(LQFP)	-55~+150	°C
		M66596WG(FBGA)	-55~+125	°C

4.2 Recommended operating conditions

Symbol	Item	Rated value			Unit	
		Min.	Typ.	Max.		
VDD	Core power supply voltage	1.35	1.5	1.65	V	
VIF	IO power supply voltage	1.8V supported	1.6	1.8	2.0	V
		3.3V supported	2.7	3.3	3.6	V
AFEA33V	USB transceiver analog 3.3V power supply voltage	3.0	3.3	3.6	V	
AFED33V	USB transceiver digital 3.3V power supply voltage	3.0	3.3	3.6	V	
AFEA15V	USB transceiver analog 1.5V power supply voltage	1.35	1.5	1.65	V	
AFED15V	USB transceiver digital 1.5V power supply voltage	1.35	1.5	1.65	V	
AFEA33G	USB transceiver analog supply GND		0		V	
AFED33G	USB transceiver digital supply GND		0		V	
AFEA15G	USB transceiver analog supply GND		0		V	
AFED15G	USB transceiver digital supply GND		0		V	
DGND	Supply GND		0		V	
V _I (IO)	System interface input voltage	0		VIF	V	
V _I (VBUS)	Input voltage(VBUS input only)	0		5.25	V	
V _O (IO)	System interface output voltage	0		VIF	V	
Topr	Ambient operating temperature	-20	+25	+85	°C	
tr, tf	Input rise, fall times	Normal input		500	ns	
		Schmitt trigger input		5	ms	

4.3 Electrical characteristics (ratings for VIF = 2.7~3.6V, VDD = 1.35~1.65V)

Symbol	Item	Measurement conditions	Rated value			Unit
			Min.	Typ.	Max.	
V _{IH}	"H" input voltage	Xin	AFEA33V = 3.6V		3.6	V
V _{IL}	"L" input voltage		AFEA33V = 3.0V		0.9	V
V _{IH}	"H" input voltage	Note 1	VIF = 3.6V		3.6	V
V _{IL}	"L" input voltage		VIF = 2.7V		0.3VIF	V
VT+	Threshold voltage in positive direction	Note 2	VIF = 3.3V		2.4	V
VT-	Threshold voltage in negative direction				1.65	V
V _{TH}	Hysteresis voltage				0.8	V
V _{OH}	"H" output voltage	Xout	AFEA33V = 3.0V	I _{OH} = -50 uA	2.6	V
V _{OL}	"L" output voltage			I _{OL} = 50 uA	0.4	V
V _{OH}	"H" output voltage	Note 3	VIF = 2.7V	I _{OH} = -2 mA	VIF-0.4	V
V _{OL}	"L" output voltage			I _{OL} = 2 mA	0.4	V
V _{OH}	"H" output voltage	Note 4	VIF = 2.7V	I _{OH} = -4 mA	VIF-0.4	V
V _{OL}	"L" output voltage			I _{OL} = 4 mA	0.4	V
VT+	Threshold voltage in positive direction	Note 5	AFED33V = 3.3V		2.4	V
VT-	Threshold voltage in negative direction				1.65	V
I _{IH}	"H" input current		VIF = 3.6V	V _I = VIF	10	uA
I _{IL}	"L" input current			V _I = GND	-10	uA
I _{OZH}	"H" output current in off status	Note 4	VIF = 3.6V	V _O = VIF	10	uA
I _{OZL}	"L" output current in off status			V _O = GND	-10	uA
R _{dv}	Pull-down resistance	Note 5			500	kΩ
R _{dt}	Pull-down resistance	Note 6			50	kΩ
I _{cc(A)}	Average supply current at HS operation	Note 7	f(Xin) = 48 MHz VDD = 1.65V, VIF = 3.6V, AFEA33V, AFED33V = 3.6V, AFEA15V, AFED15V = 1.65V		40	mA
I _{cc(A)}	Average supply current at FS operation	Note 7	f(Xin) = 48 MHz VDD = 1.65V, VIF = 3.6V, AFEA33V, AFED33V = 3.6V, AFEA15V, AFED15V = 1.65V		18	mA
I _{cc(S)}	Supply current in static mode	Note 7	USB suspend state (Host mode) VIF = 3.6V		0.07	mA
			USB suspend state (Peripheral mode) VIF = 3.6V		0.27	
			USB cable detached VIF = 3.6V		0.07	mA
C _{IN}	Pin capacitance (input)				7	pF
C _{OUT}	Pin capacitance (input / output)	Note 8			7	pF
C _{OUT}	Pin capacitance (D+, D-)				15	pF

Note 1: A6/ALE, A5-1, TEST, MPBUS input pin, and D15-7, D6/AD6-D1/AD1, D0, SD7-0, DEND0-1_N input / output pins

Note 2: CS_N, RD_N, WR0-1_N, DACK0_N, DACK1_N/DSTB0_N, RST_N input pins

Note 3: INT_N, SOF_N, DREQ0-1_N output pins, and DEND0-1_N input / output pin

Note 4: D15-7, D6/AD6-D1/AD1, D0, SD7-SD0 input / output pins

Note 5: VBUS input pin

Note 6: TEST input pin

Note 7: Supply current is the total of the VDD, VIF, AFEA33V, AFED33V, AFEA15V, and AFED15V currents

Note 8: Except D+ and D-

4.4 Electrical characteristics (ratings for VIF = 1.6~2.0V, VDD = 1.35~1.65V)

Symbol	Item	Measurement conditions	Rated value			Unit	
			Min.	Standard	Max.		
V _{IH}	"H" input voltage	Xin	AFEA33V = 3.6V		2.52	3.6	V
V _{IL}	"L" input voltage		AFEA33V = 3.0V		0	0.9	V
V _{IH}	"H" input voltage	Note 1	VIF = 2.0V		0.7VIF	2.0	V
V _{IL}	"L" input voltage		VIF = 1.6V		0	0.3VIF	V
VT+	Threshold voltage in positive direction	Note 2	VIF = 1.8V		0.7	1.4	V
VT-	Threshold voltage in negative direction		0.2	0.8	V		
VTH	Hysteresis voltage		0.5		V		
V _{OH}	"H" output voltage	Xout	AFEA33V = 3.0V	I _{OH} = -50 uA	2.6		V
V _{OL}	"L" output voltage			I _{OL} = 50 uA		0.4	V
V _{OH}	"H" output voltage	Note 3	VIF = 1.6V	I _{OH} = -2 mA	VIF-0.4		V
V _{OL}	"L" output voltage			I _{OL} = 2 mA		0.4	V
V _{OH}	"H" output voltage	Note 4	VIF = 1.6V	I _{OH} = -4 mA	VIF-0.4		V
V _{OL}	"L" output voltage			I _{OL} = 4 mA		0.4	V
VT+	Threshold voltage in positive direction	Note 5	AFED33V=3.3V		1.4	2.4	V
VT-	Threshold voltage in negative direction		0.5	1.65	V		
I _{IH}	"H" input current		VIF = 2.0V	V _I = VIF		10	uA
I _{IL}	"L" input current			V _I = GND		-10	uA
I _{OZH}	"H" output current in off status	Note 4	VIF = 2.0V	V _O = VIF		10	uA
I _{OZL}	"L" output current in off status			V _O = GND		-10	uA
R _{dv}	Pull-down resistance	Note 5			500		kΩ
R _{dt}	Pull-down resistance	Note 6			50		kΩ
I _{cc(A)}	Average supply current at HS operation	Note 7	f(Xin) = 48 MHz VDD = 1.65V, VIF = 2.0V, AFEA33V, AFED33V = 3.6V, AFEA15V, AFED15V = 1.65V			40	mA
I _{cc(A)}	Average supply current at FS operation	Note 7	f(Xin) = 48 MHz VDD = 1.65V, VIF = 2.0V, AFEA33V, AFED33V = 3.6V, AFEA15V, AFED15V = 1.65V			18	mA
I _{cc(S)}	Supply current in static mode	Note 7	USB suspend state (Host mode) VIF = 2.0V			0.07	mA
			USB suspend state (Peripheral mode) VIF = 2.0V			0.27	
			USB cable detached VIF = 2.0V			0.07	mA
C _{IN}	Pin capacitance (input)				7		pF
C _{OUT}	Pin capacitance (input / output)	Note 8			7		pF
C _{OUT}	Pin capacitance (D+, D-)				15		pF

Note 1: A6/ALE, A5-1, TEST, MPBUS input pins, and D15-7, D6/AD6-D1/AD1, D0, SD7-0, DEND0-1_N input / output pins

Note 2: CS_N, RD_N, WR0-1_N, DACK0_N, DACK1_N/DSTB0_N, RST_N input pins

Note 3: INT_N, SOF_N, DREQ0-1_N output pin, and DEND0-1_N input / output pin

Note 4: D15-7, D6/AD6-D1/AD1, D0, SD7-SD0 input / output pins

Note 5: VBUS input pin

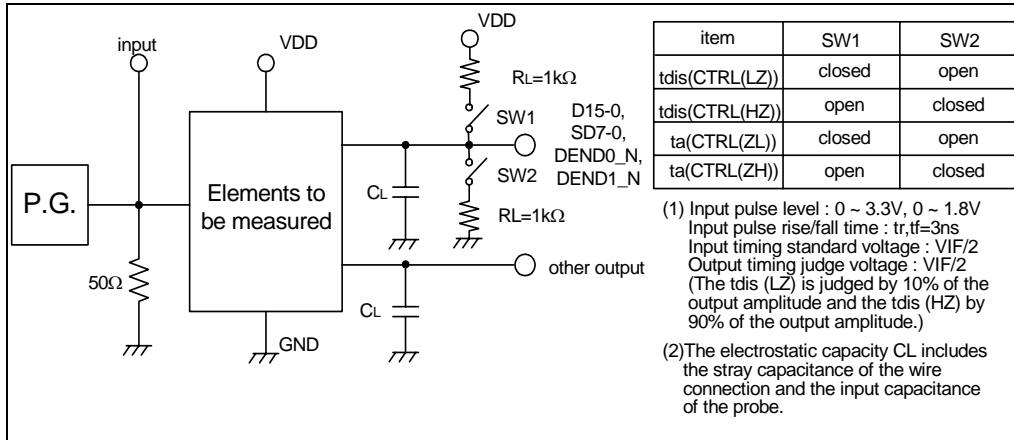
Note 6: TEST input pin

Note 7: Supply current is the total of the VDD, VIF, AFEA33V, AFED33V, AFEA15V, AFED15V currents.

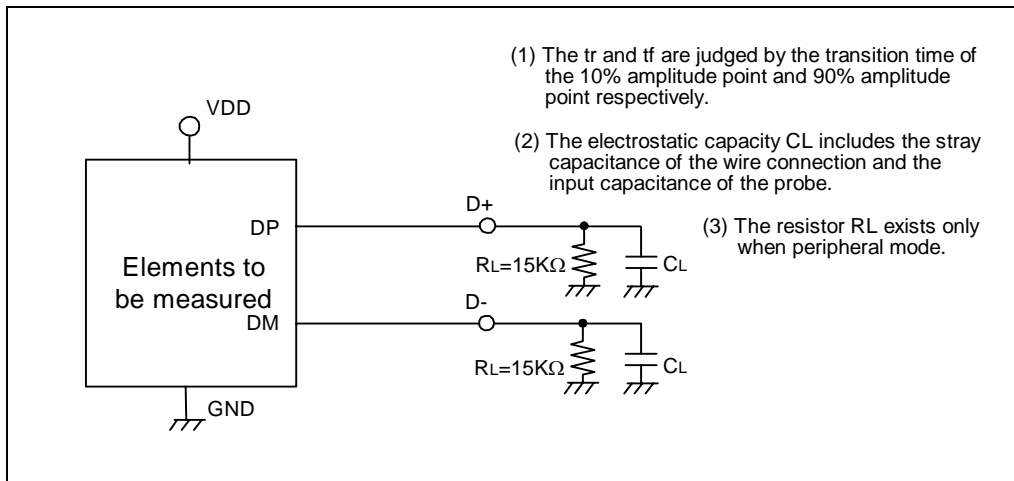
Note 8: Except D+ and D-

4.5 Measurement circuit

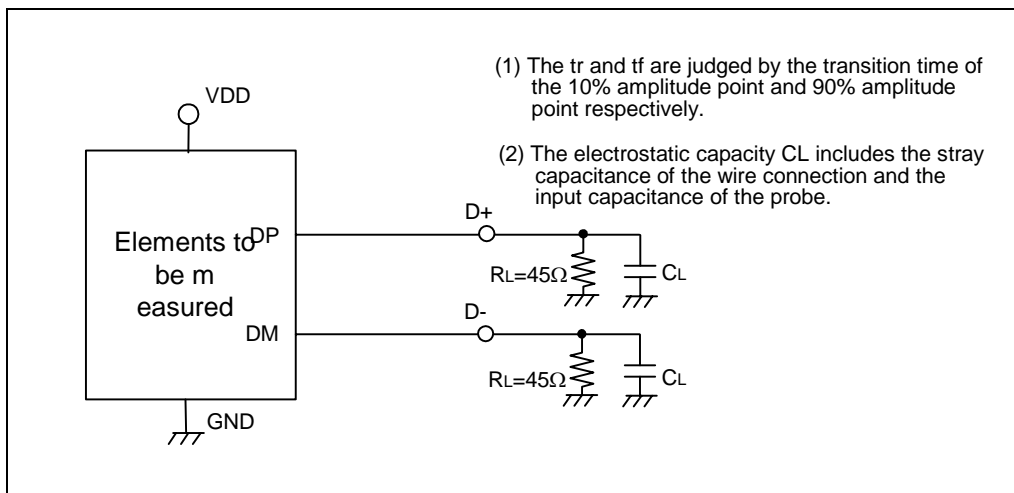
4.5.1 Pins except for USB buffer block



4.5.2 USB buffer block (Full-Speed)



4.5.3 USB buffer block (Hi-Speed)



4.6 Electrical characteristics(D+/D-)

4.6.1 DC characteristics

Symbol	Item	Measurement conditions	Rated value			Unit
			Min.	Typ.	Max.	
R _{REF}	Reference resistance		5.544	5.6	5.656	kΩ
R _o	FS driver output impedance	HS operation	40.5	45	49.5	Ω
		FS operation	28	36	44	Ω
R _{pu}	D+ pull-up resistance (Peripheral mode)	Idle status	0.9		1.575	kΩ
		Transmitting and receiving status	1.425		3.09	kΩ
R _{pd}	D+,D- pull-down resistance (Host mode)		14.25		24.80	kΩ
Input characteristics for Full-Speed operation						
V _{IH}	"H" input voltage		2.0			V
V _{IL}	"L" input voltage				0.8	V
V _{DI}	Differential input sensitivity	(D+)-(D-)	0.2			V
V _{CM}	Differential common mode range		0.8		2.5	V
Output characteristics for Full-Speed operation						
V _{OL}	"L" output voltage	AFEAVDD = 3.0V	RL of 1.5KΩ to 3.6V		0.3	V
V _{OH}	"H" output voltage		RL of 15KΩ to GND	2.8	3.6	V
V _{SE}	Single-ended receiver threshold voltage			0.8	2.0	V
V _{ORS}	Output signal crossover voltage		CL=50 pF	1.3	2.0	V
Input characteristics for Hi-Speed operation						
V _{HSSQ}	Squelch detection threshold voltage (differential)			100	150	mV
V _{HSCM}	Common mode range			-50	500	mV
Output characteristics for Hi-Speed operation						
V _{HSOI}	Idle state			-10.0	10	mV
V _{HSOH}	"H" output voltage			360	440	mV
V _{HSOL}	"L" output voltage			-10.0	10	mV
V _{CHIRPJ}	Chirp J output voltage (differential)			700	1100	mV
V _{CHIRPK}	Chirp K output voltage (differential)			-900	-500	mV

4.6.2 AC characteristics(Full-Speed)

Symbol	Item	Measurement conditions	Rated value			Unit	
			Min.	Standard	Max.		
Tr	Rise transition time	10% to 90% of the data signal amplitude	CL=50 pF	4		20	ns
Tf	Fall transition time	90% to 10% of the data signal: amplitude	CL=50 pF	4		20	ns
TRFM	Rise / fall time matching	tr/tf		90		111.11	%

4.7 Switching characteristics (VIF = 2.7~3.6V, or 1.6~2.0V)

Symbol	Item	Measurement conditions / other	Rated value			Unit	Ref. no.
			Min.	Typ.	Max.		
ta (A)	Address access time	CL=50 pF			40	ns	①
tv (A)	Time that data is valid after address	CL=10 pF	2			ns	②
ta (CTRL - D)	Time that data can be accessed after control	CL=50 pF			30	ns	③
tv (CTRL - D)	Time that data is valid after control	CL=10 pF	2			ns	④
ten (CTRL - D)	Time that data output is enabled after control		2			ns	⑤
tdis (CTRL - D)	Time that data output is disabled after control	CL=50 pF			30	ns	⑥
ta (CTRL - DV)	Time that data can be accessed after control when split bus (DMA Interface) Obus=0	CL=30 pF			30	ns	⑨
tv (CTRL - DV)	Time that data can is valid after control when split bus (DMA Interface) Obus=0	CL=10 pF	2			ns	⑩
ta (CTRL - DendV)	Time that DEND output can be accessed after control when split bus (DMA Interface) Obus=0	CL=30 pF			30	ns	⑪
tv (CTRL - DendV)	Time that DEND output is valid after control when CPU bus and split bus (DMA Interface) Obus=0	CL=10 pF	2			ns	⑫
ta (CTRL - Dend)	Time that DEND output can be accessed after control when split bus (DMA Interface) Obus=1	CL=30 pF			30	ns	⑬
tv (CTRL - Dend)	Time that DEND output is valid after control when CPU bus and split bus (DMA Interface) Obus=1	CL=10 pF	2			ns	⑭
ten (CTRL - Dend)	Time that DEND output is enabled after control when CPU bus and split bus (DMA Interface) Obus=1		2			ns	⑮
tdis (CTRL-Dend)	Time that DEND output is disabled after control when CPU bus and split bus (DMA Interface) Obus=1	CL=30 pF			30	ns	⑯
tdis (CTRL - Dreq)	Time that DREQ is disabled after control				70	ns	⑰
tdis (CTRLH - Dreq)	Time that DREQ is disabled after control			70	ns	⑱	
ten (CTRL - Dreq)	Time that DREQ is enabled after control		30			ns	⑲
twh (Dreq)	DREQ output "H" pulse width		20		50	ns	⑳
td (CTRL - INT)	INT output negated delay time				250	ns	㉑
twh (INT)	INT output "H" pulse width		650			ns	㉒
td (DREQ - DV)	Data access after DREQ begins to be asserted when split bus (DMA Interface) Obus=0				0	ns	㉓
td (DREQ - DendV)	Time that DEND can be accessed after DREQ begins to be asserted when split bus (DMA Interface) Obus=0				0	ns	㉔

Key ta: Access time, tv: Valid time, ten: Output enabled time, tdis: Output disabled time, td: propagation delay (A): Address, (D): Data, (Dend): DEND, (CTRL): Control, (V): Obus=0

4.8 Required timing conditions (VIF = 2.7~3.6V, or 1.6~2.0V)

Symbol	Item	Measurement conditions / other	Rated value			Unit	Ref. no.	
			Min.	Typ.	Max.			
tsuw (A)	Address write setup time	CL=50 pF	30			ns	(30)	
tsur (A)	Address read setup time		0			ns	(31)	
tsu (A - ALE)	Address setup time when using multiplex bus		10			ns	(32)	
thw (A)	Address write hold time		0			ns	(33)	
thr (A)	Address read hold time		30			ns	(34)	
th (A - ALE)	Address setup hold time when using multiplex bus		0			ns	(35)	
tw (ALE)	ALE pulse width when using multiplex bus		10			ns	(36)	
tdwr (ALE - CTRL)	Write / read delay time when using multiplex bus		7			ns	(37)	
trec (ALE)	ALE recovery time when using multiplex bus		0			ns	(38)	
tw (CTRL)	Control pulse width (write)		30			ns	(39)	
trec (CTRL)	Control recovery time (FIFO)		30			ns	(40)	
trecr (CTRL)	Control recovery time (REG)		12			ns	(41)	
twr (CTRL)	Control pulse width (read)		30			ns	(42)	
tsu (D)	Data setup time		20			ns	(43)	
th (D)	Data hold time		0			ns	(44)	
tsu (Dend)	DEND input setup time		30			ns	(45)	
th (Dend)	DEND input hold time		0			ns	(46)	
tw (cycle)	FIFO access cycle time		8-bit FIFO access	30			ns	(47)
			16-bit FIFO access	50			ns	
			8- / a6-bit FIFO access when using multiplex bus	84			ns	
tw (CTRL_B)	Control pulse width when using burst transfers	When using split bus, and Obus=0	12			ns	(48)	
		When using split bus, and Obus=1 *1)	30			ns		
		When using DMA transfers with CPU bus	30			ns		
trec (CTRL_B)	Control recovery time for burst transfers	12			ns	(49)		
tsud (A)	DMA address write setup time	15			ns	(50)		
thd (A)	DMA address write hold time	0			ns	(51)		
tw (RST)	Reset pulse width time	100			ns	(52)		
tst (RST)	Control starts time after reset	500			ns	(53)		

Key tsuw: Write setup time, tsur: Read setup time, tsu: Setup time
 thw: Write hold time, thr: Read hold time, th: Hold time, tw: Pulse width, twr: Read pulse width
 tdwr: Read / write delay time, trec: Recovery time, trecr: Register recovery time
 tsud: DMA setup time, thd: DMA hold time, tst: Start time
 (A): Address, (D): Data, (CTRL): Control, (CTRL_B): Burst control, (ALE): ALE

*1) Only for data writing, when the DACK0_N signal is assuring an active period of at least 30 ns, the DSTB0_N signal can be accessed at a minimum of 12 ns.

4.9 Timing diagrams

Table 4.1 Index for register access timing diagram

Bus specification	access	R/W	INDEX	Note
Separate bus	CPU	WRITE	4.9.1.1	CPU bus 0
Separate bus	CPU	READ	4.9.1.2.	CPU bus 0
Multiplex bus	CPU	WRITE	4.9.2.1.	CPU bus 0
Multiplex bus	CPU	READ	4.9.2.2	CPU bus 0

Table 4.2 Index for FIFO port access

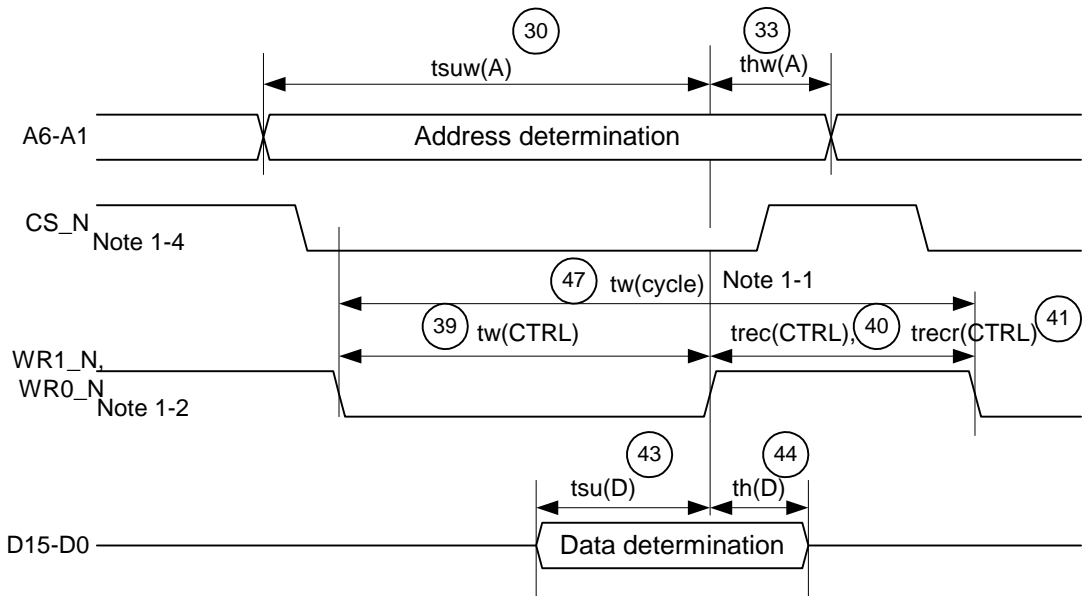
Access	Bus I/F specifications *2)	I/F specifications when operating	DFORM	OBUS	R/W	Note	INDEX
CPU	CPU bus 0	Separate bus	-		WRITE	-	4.9.1.1
CPU	CPU bus 0	Separate bus	-		READ	-	4.9.1.2.
CPU	CPU bus 0	Multiplex bus	-		WRITE	-	4.9.2.1.
CPU	CPU bus 0	Multiplex bus	-		READ	-	4.9.2.2
DMA	CPU bus 2	ACK+RD/WR	010		WRITE	Cycle steal transfer	4.9.3.1 *1)
DMA	CPU bus 2	ACK+RD/WR	010		READ	Cycle steal transfer	4.9.3.2 *1)
DMA	SPLIT bus 1	ACK+STB	110	1	WRITE	Cycle steal transfer	4.9.3.3 *1)
DMA	SPLIT bus 1	ACK+STB	110	1	READ	Cycle steal transfer	4.9.3.4 *1)
DMA	SPLIT bus 1	ACK+STB	110	0	WRITE	Cycle steal transfer	4.9.3.3 *1)
DMA	SPLIT bus 1	ACK+STB	110	0	READ	Cycle steal transfer	4.9.3.5 *1)
DMA	CPU bus 1	Separate bus	000		WRITE	Cycle steal transfer	4.9.3.6
DMA	CPU bus 1	Separate bus	000		READ	Cycle steal transfer	4.9.3.7
DMA	SPLIT bus 2	ACK only	100	1	WRITE	Cycle steal transfer	4.9.3.8 *1)
DMA	SPLIT bus 2	ACK only	100	1	READ	Cycle steal transfer	4.9.3.9 *1)
DMA	SPLIT bus 2	ACK only	100	0	WRITE	Cycle steal transfer	4.9.3.8 *1)
DMA	SPLIT bus 2	ACK only	100	0	READ	Cycle steal transfer	4.9.3.10 *1)
DMA	CPU bus 3	ACK only	011		WRITE	Cycle steal transfer	4.9.3.11 *1)
DMA	CPU bus 3	ACK only	011		READ	Cycle steal transfer	4.9.3.12 *1)
DMA	CPU bus 2	Multiplex bus	000		WRITE	Cycle steal transfer	4.9.4.1
DMA	CPU bus 2	Multiplex bus	000		READ	Cycle steal transfer	4.9.4.2
DMA	CPU bus 1	ACK+RD/WR	010		WRITE	Burst transfer	4.9.5.1 *1)
DMA	CPU bus 1	ACK+RD/WR	010		READ	Burst transfer	4.9.5.2 *1)
DMA	SPLIT bus 1	ACK+STB	110	1	WRITE	Burst transfer	4.9.5.3 *1)
DMA	SPLIT bus 1	ACK+STB	110	1	READ	Burst transfer	4.9.5.4 *1)
DMA	SPLIT bus 1	ACK+STB	110	0	WRITE	Burst transfer	4.9.5.3 *1)
DMA	SPLIT bus 1	ACK+STB	110	0	READ	Burst transfer	4.9.5.5 *1)
DMA	CPU bus 2	Separate bus	000		WRITE	Burst transfer	4.9.5.6
DMA	CPU bus 2	Separate bus	000		READ	Burst transfer	4.9.5.7
DMA	SPLIT bus 2	ACK only	100	1	WRITE	Burst transfer	4.9.5.8 *1)
DMA	SPLIT bus 2	ACK only	100	1	READ	Burst transfer	4.9.5.9 *1)
DMA	SPLIT bus 2	ACK only	100	0	WRITE	Burst transfer	4.9.5.8 *1)
DMA	SPLIT bus 2	ACK only	100	0	READ	Burst transfer	4.9.5.10 *1)
DMA	CPU bus 3	ACK only	011		WRITE	Burst transfer	4.9.5.11 *1)
DMA	CPU bus 3	ACK only	011		READ	Burst transfer	4.9.5.12 *1)
DMA	CPU bus 1	Multiplex bus	000		WRITE	Burst transfer	4.9.6.1
DMA	CPU bus 1	Multiplex bus	000		READ	Burst transfer	4.9.6.2

*1) Because the address signal is not used, the timing will be the same for the separate bus and multiplex bus.

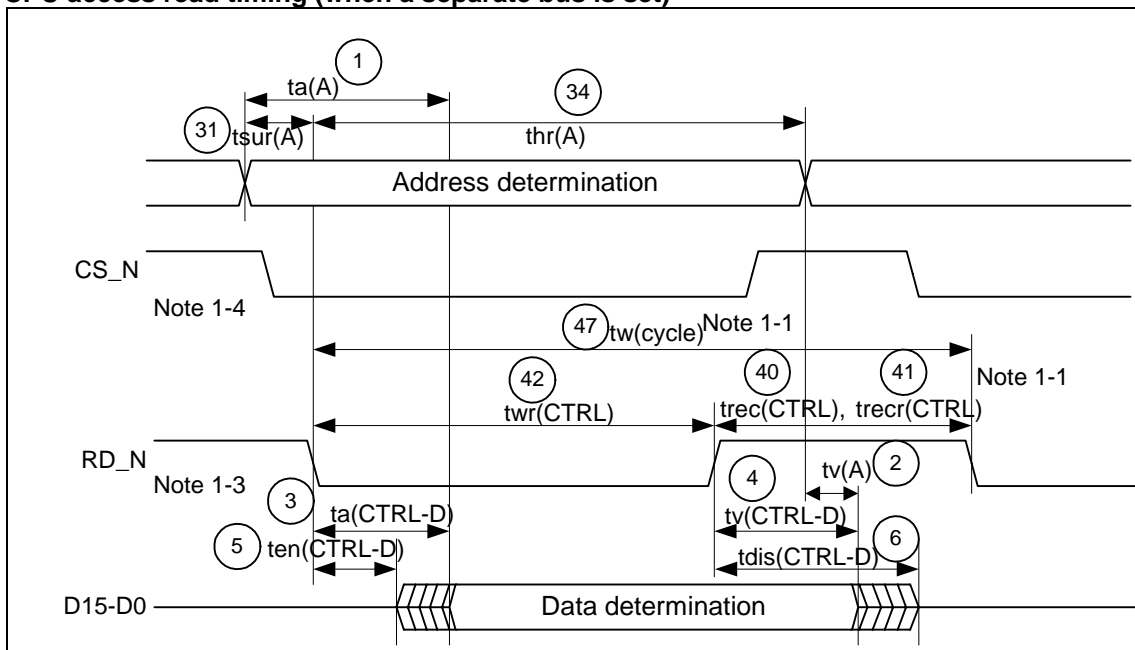
*2) The reading and writing timing are carried out using control signal. If the control signal is configured of a combination of multiple signals, the ratings from the falling edge will be valid starting from when the active delay signal changes.
The ratings from the rising edge will be valid starting from the change in signals that become inactive more quickly.

4.9.1 CPU access timing(when a separate bus is set)

4.9.1.1 CPU access write timing (when a separate bus is set)



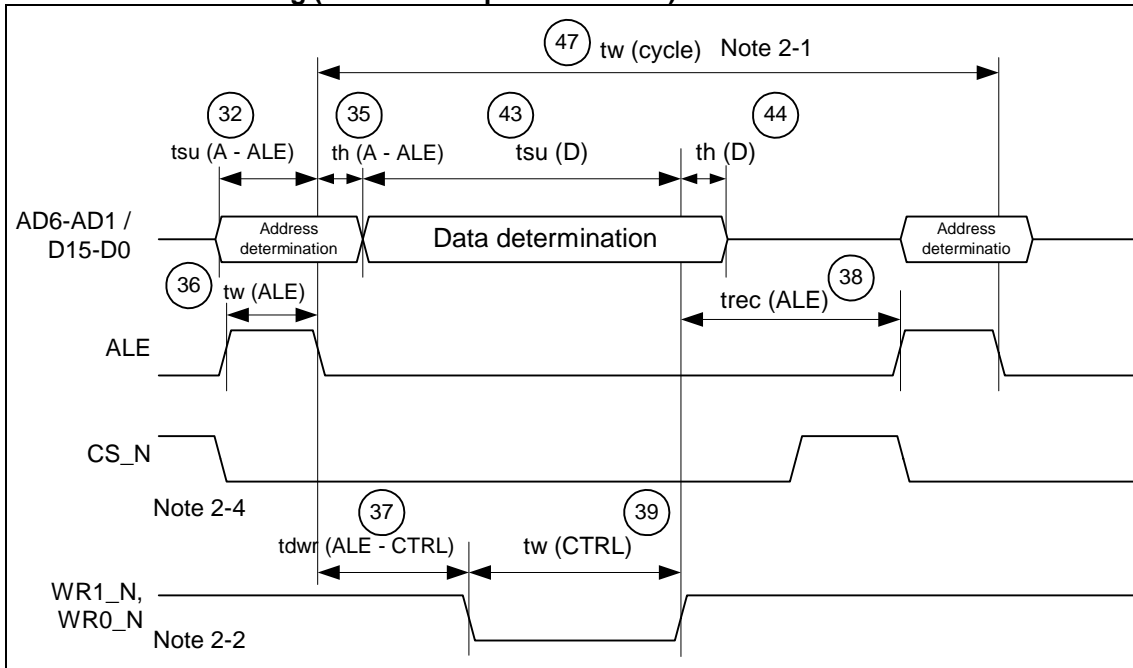
4.9.1.2 CPU access read timing (when a separate bus is set)



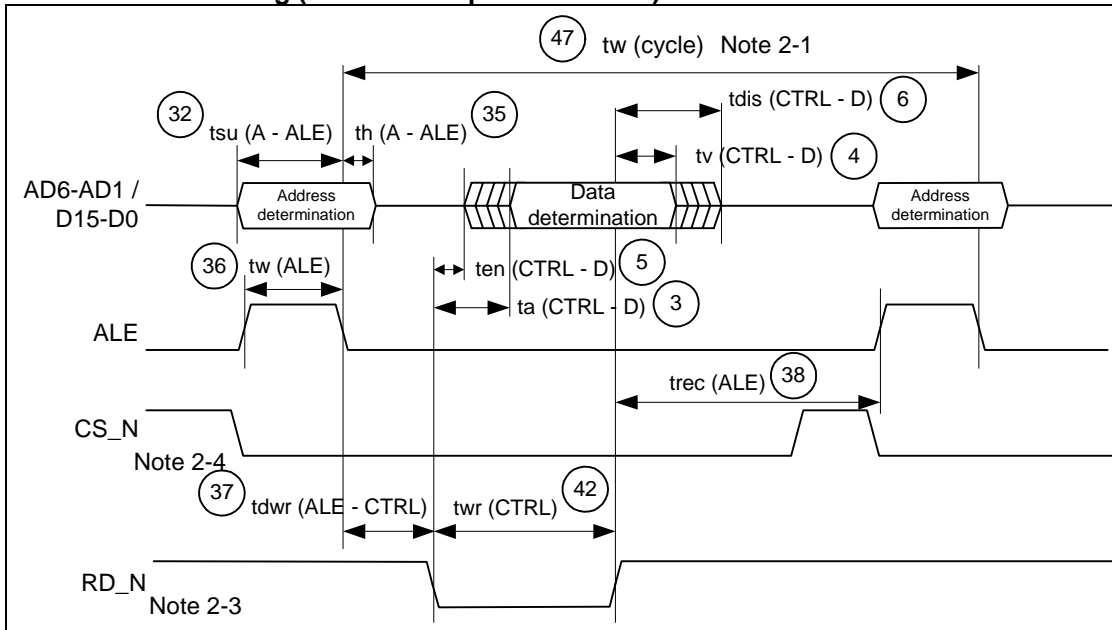
- Note 1-1: $t_w(\text{cycle})$ and $t_{rec}(\text{CTRL})$ are necessary when accessing the FIFO.
- Note 1-2: The control signal when writing data is a combination of CS_N, WR1_N, and WR0_N.
- Note 1-3: The control signal when reading data is a combination of CS_N and RD_N.
- Note 1-4: RD_N, WR0_N and WR1_N should not be timed to fall at the same time that CS_N is rising. Similarly, CS_N should not be timed to fall at the same timing that WR0_N and WR1_N are rising. In the instances noted above, an interval of at least 10 ns must be left open.

4.9.2 CPU access timing (when a multiplex bus is set)

4.9.2.1 CPU access write timing (when a multiplex bus is set)



4.9.2.2 CPU access read timing (when a multiplex bus is set)



Note 2-1: tw (cycle) and trec (CTRL) are necessary when accessing the FIFO.

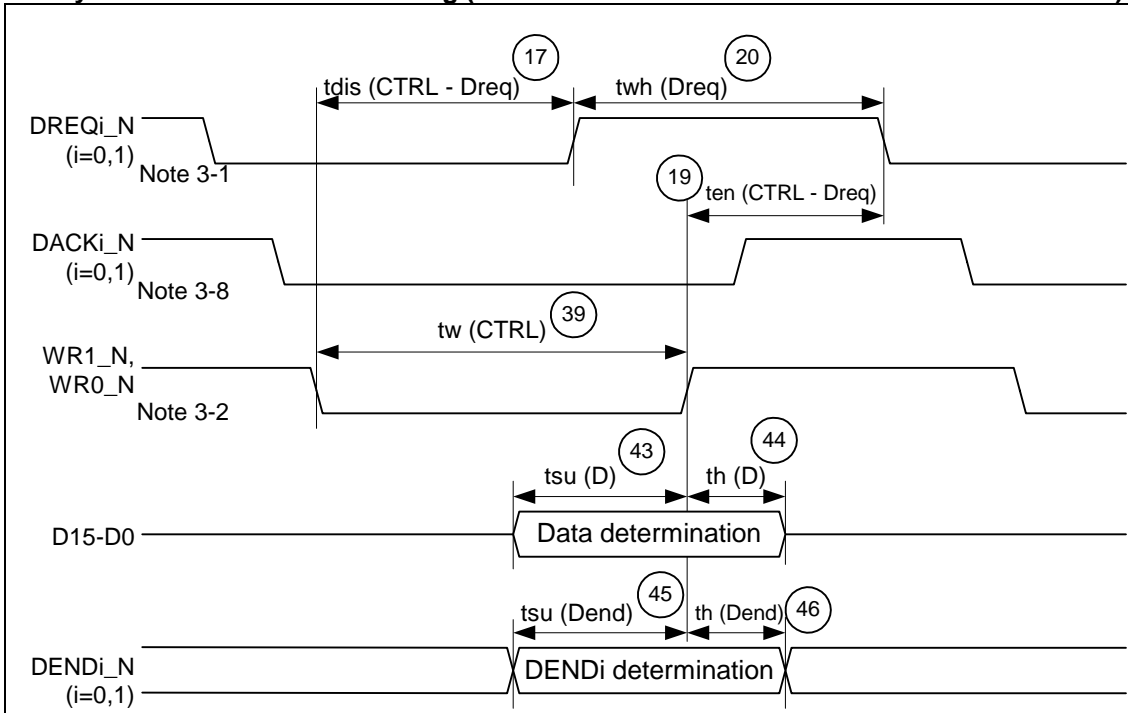
Note 2-2: The control signal when writing data is a combination of CS_N, WR1_N, and WR0_N.

Note 2-3: The control signal when reading data is a combination of CS_N and RD_N.

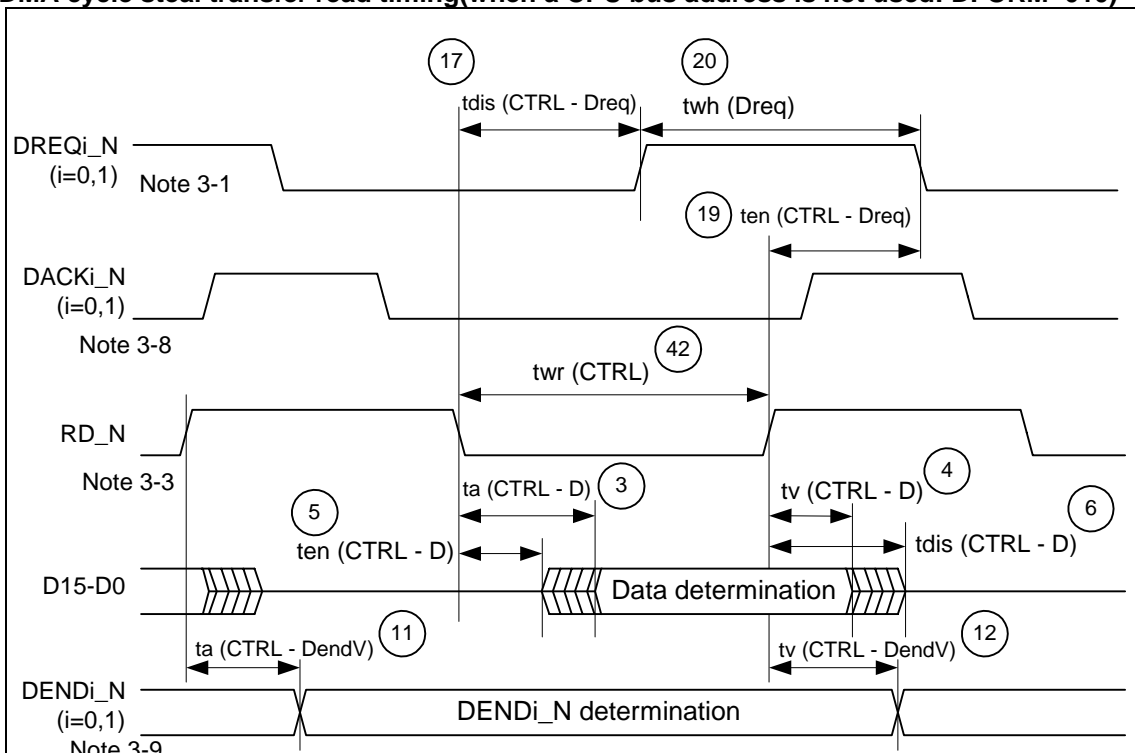
Note 2-4: RD_N, WR0_N and WR1_N should not be timed to fall at the same time that CS_N is rising. Similarly, CS_N should not be timed to fall at the same timing that RD_N, WR0_N and WR1_N are rising. In the instances noted above, an interval of at least 10 ns must be left open.

4.9.3 DMA access timing(when a cycle steal transfer and separate bus are set)

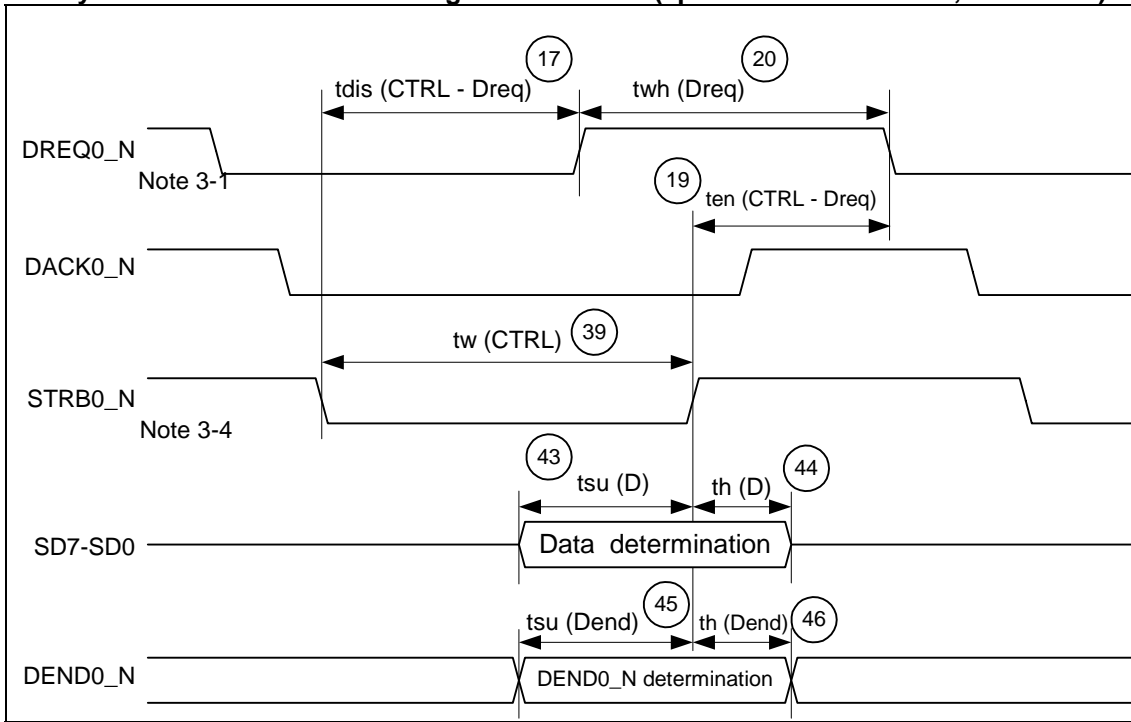
4.9.3.1 DMA cycle steal transfer write timing (when a CPU bus address is not used: DFORM=010)



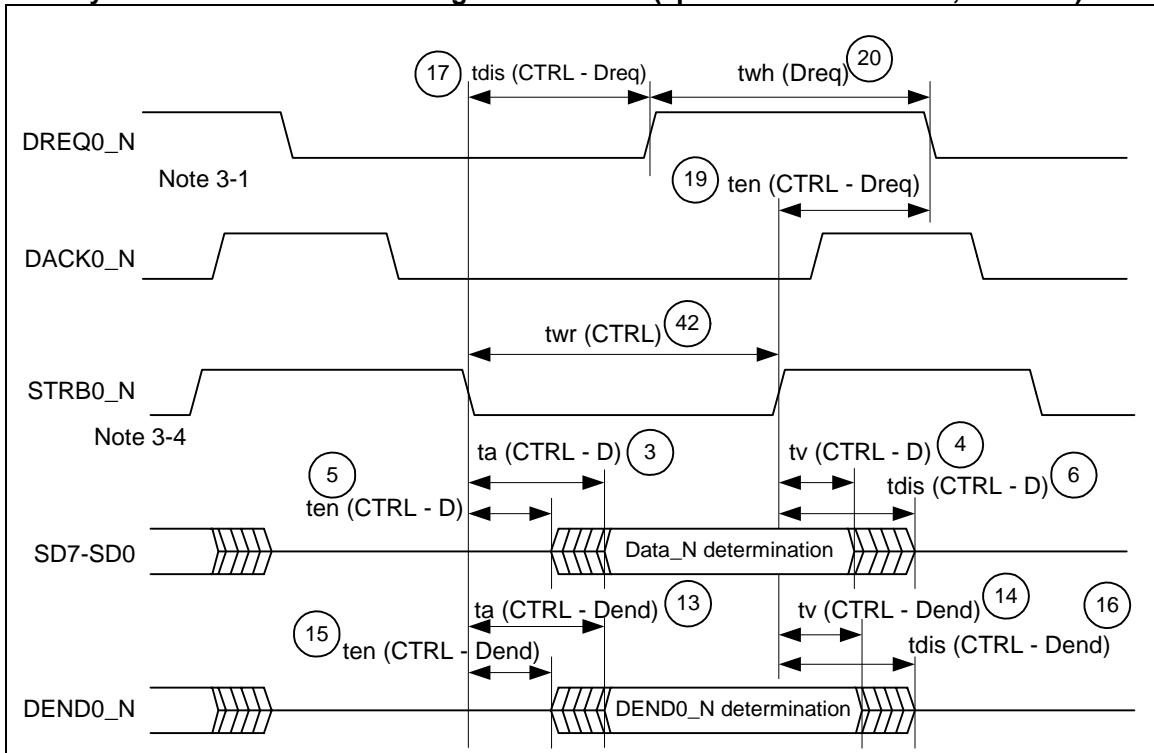
4.9.3.2 DMA cycle steal transfer read timing(when a CPU bus address is not used: DFORM=010)



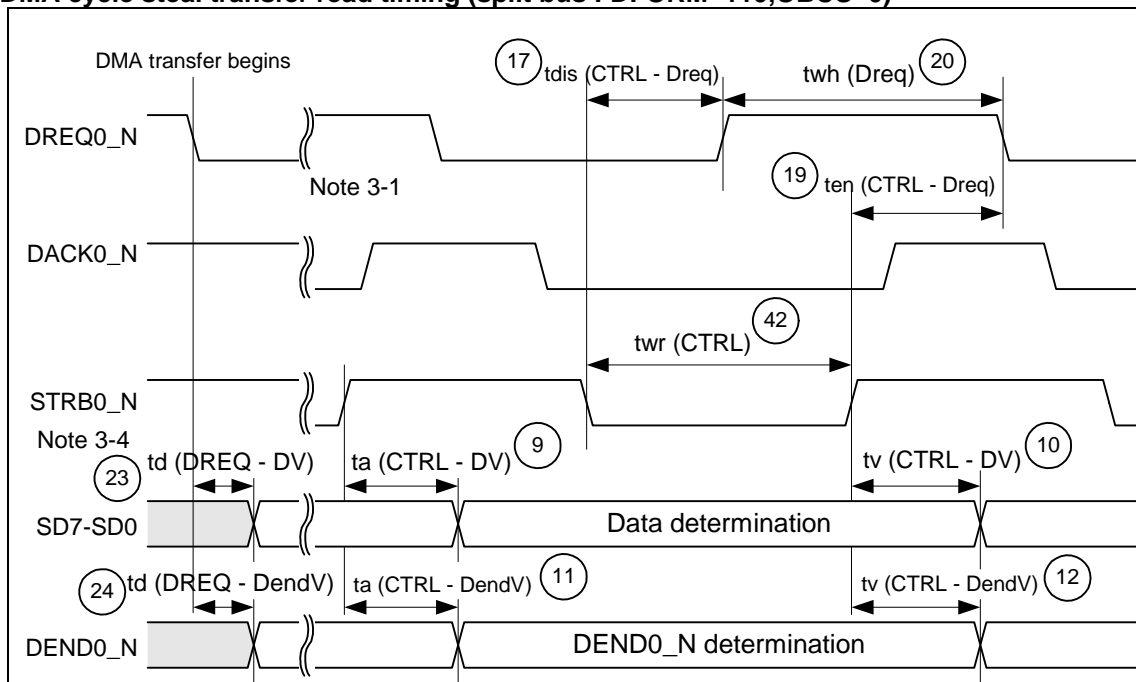
4.9.3.3 DMA cycle steal transfer write timing for strobe use (split bus : DFORM=110, OBUS=1/0)



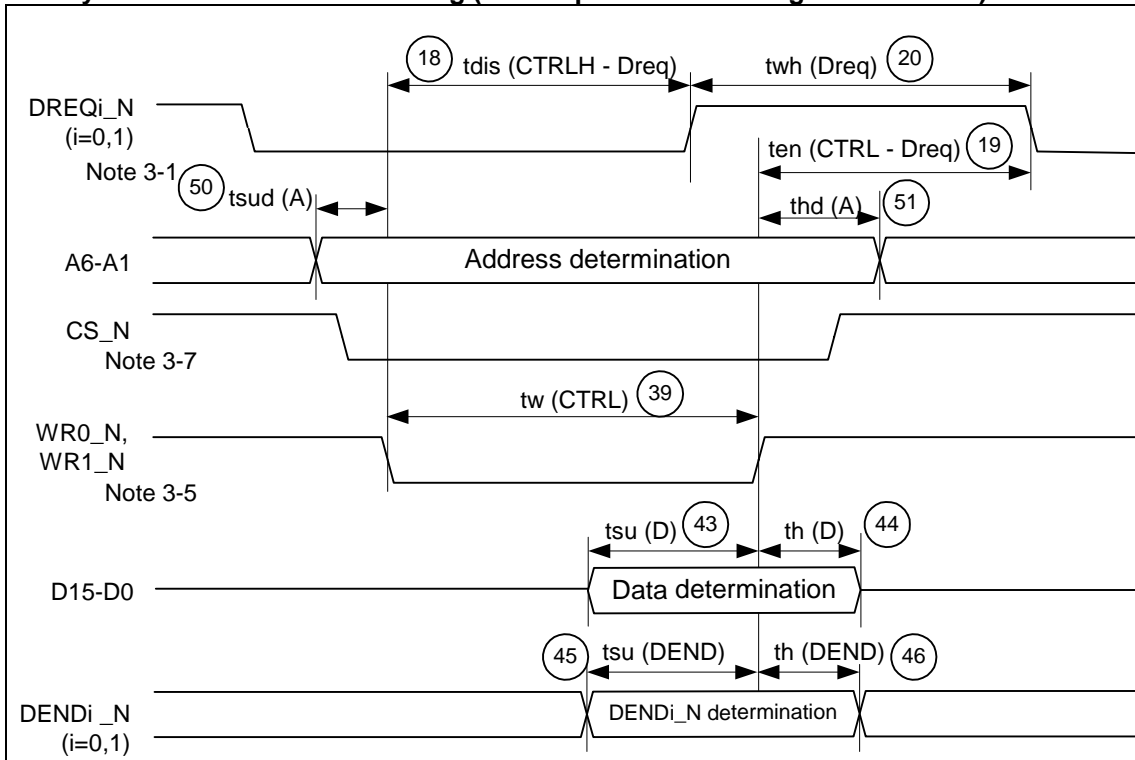
4.9.3.4 DMA cycle steal transfer read timing for strobe use (split bus : DFORM=110, OBUS=1)



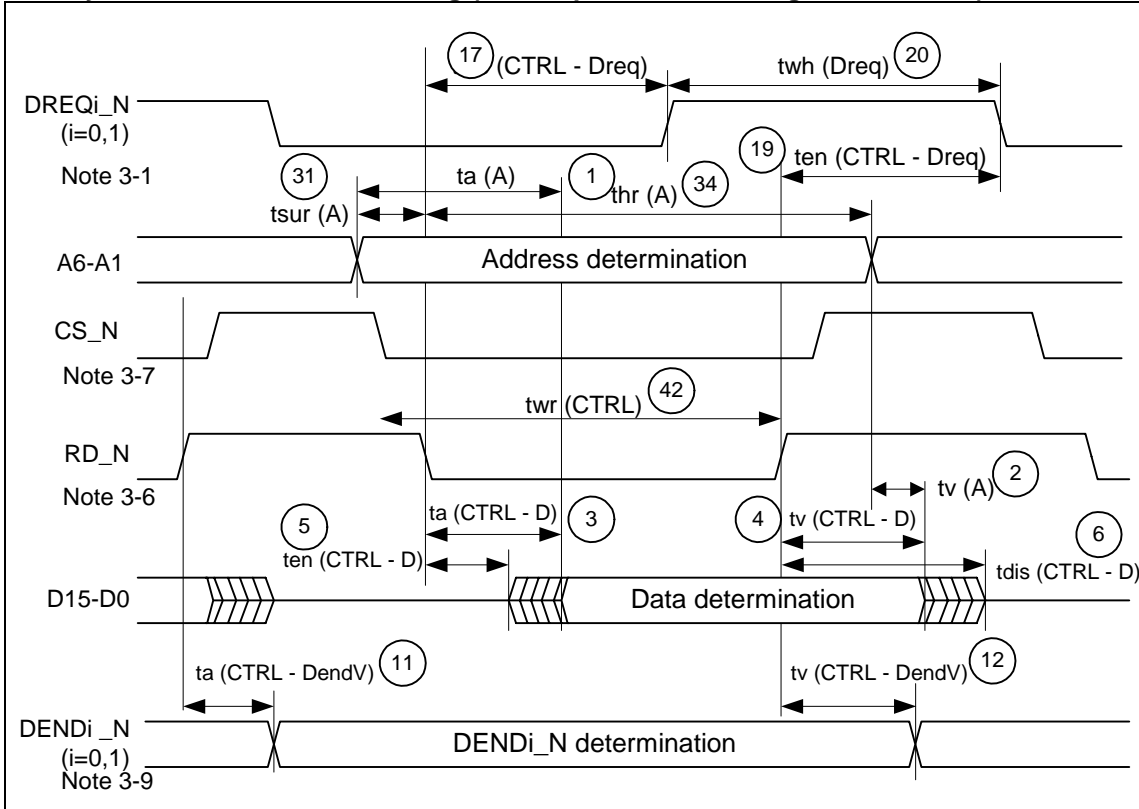
4.9.3.5 DMA cycle steal transfer read timing (split bus : DFORM=110,OBUS=0)



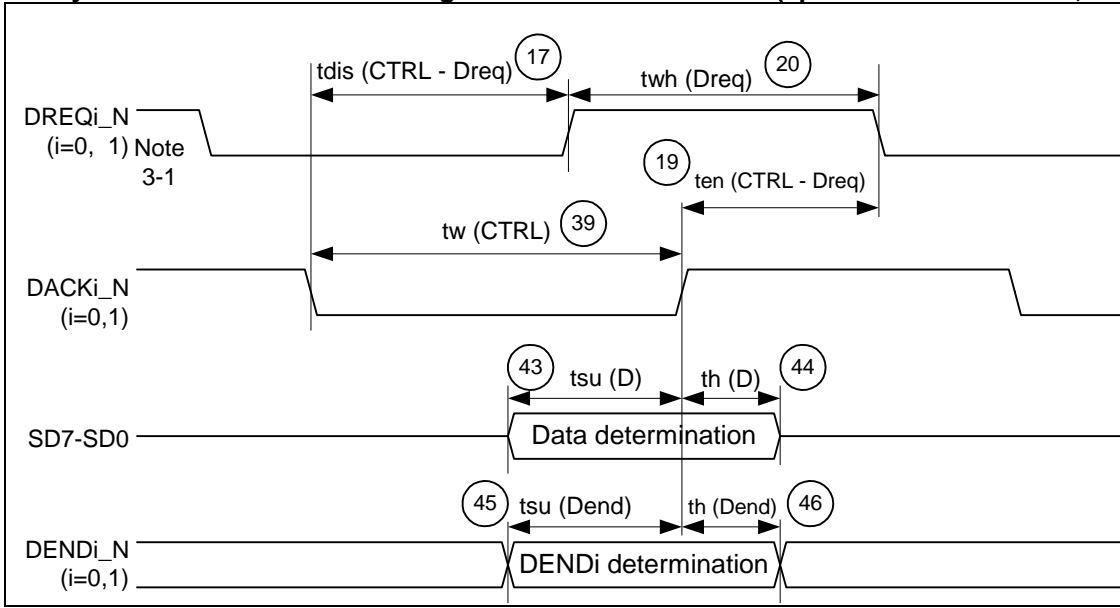
4.9.3.6 DMA cycle steal transfer write timing (CPU separate bus setting: DFORM=000)



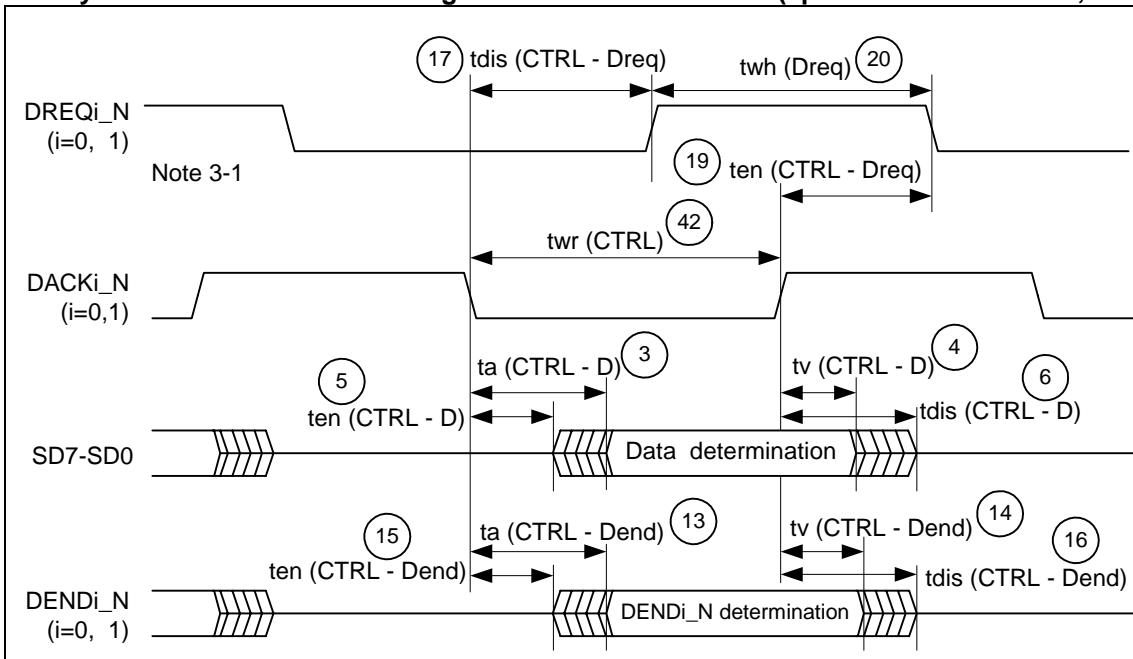
4.9.3.7 DMA cycle steal transfer read timing (CPU separate bus setting: DFORM=000)



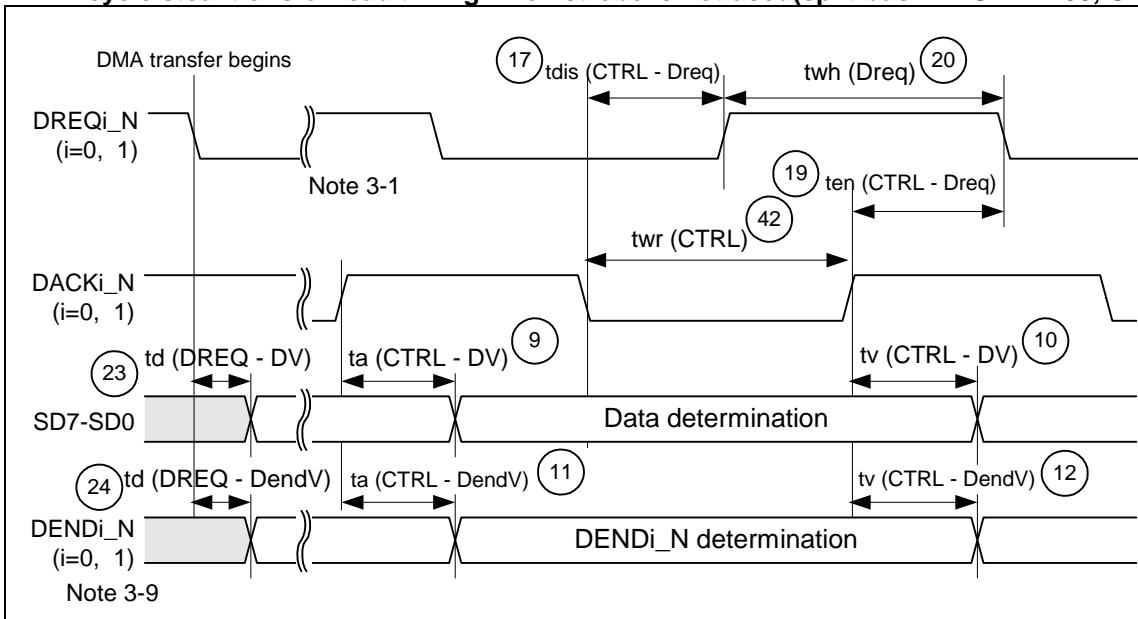
4.9.3.8 DMA cycle steal transfer write timing when strobe is not used (split bus : DFORM=100, OBUS=1/0)



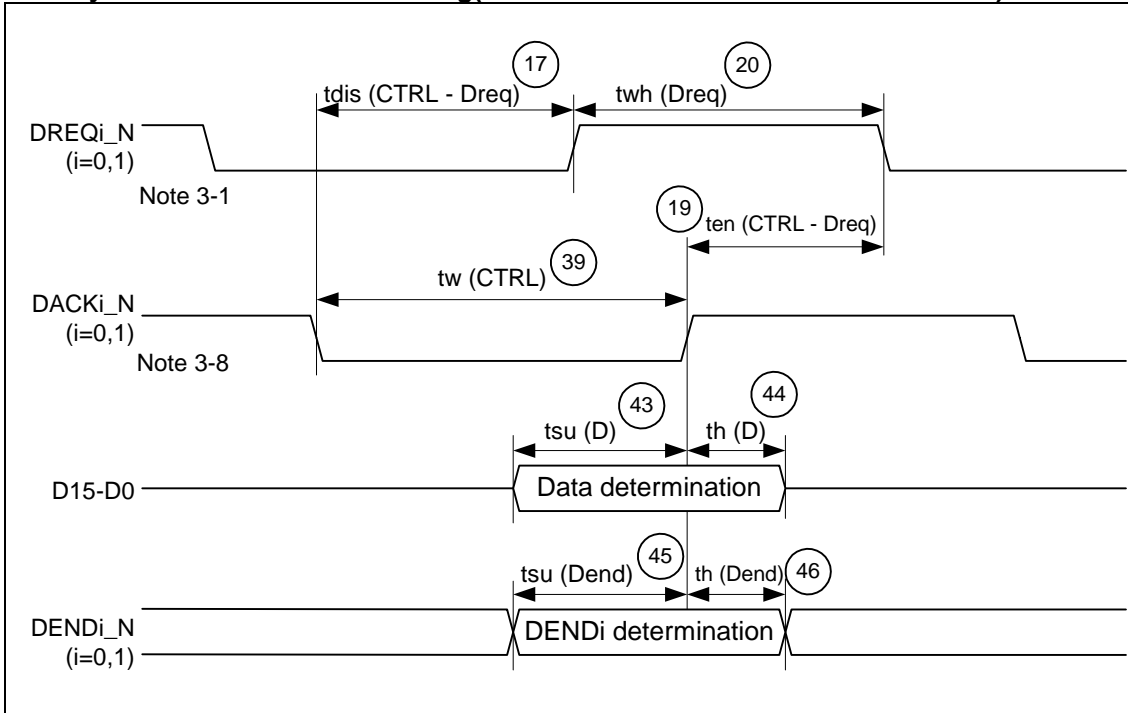
4.9.3.9 DMA cycle steal transfer read timing when strobe is not used (split bus : DFORM=100, OBUS=1)



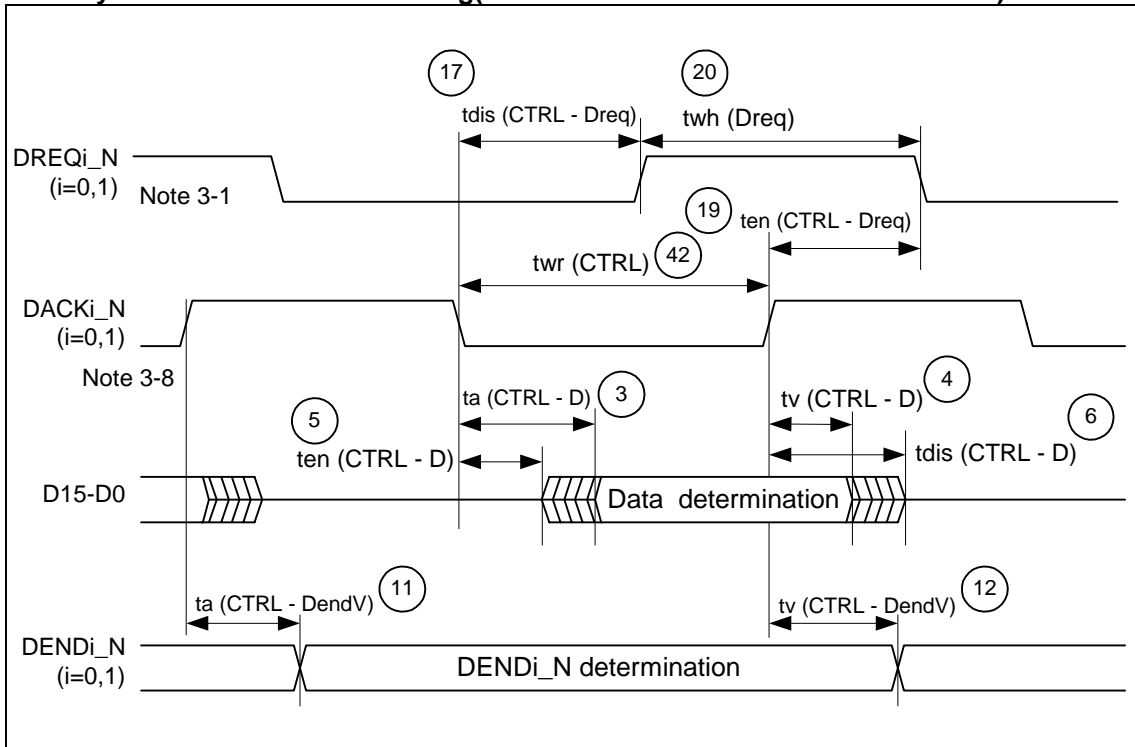
4.9.3.10 DMA cycle steal transfer read timing when strobe is not used(split bus : DFORM=100, OBUS=0)



4.9.3.11 DMA cycle steal transfer write timing(CPU bus address not used: DFORM=011)



4.9.3.12 DMA cycle steal transfer read timing(CPU bus address not used: DFORM=011)



Note 3-1: The inactive condition for DREQi_N (i=0, 1) is the control signal. If there is a next DMA transfer, the delay ratings for twh (Dreq) and ten (CTRL-Dreq) will be valid for the time until DREQi_N becomes active is twh (Dreq).

Note 3-2: The control signal when writing data is a combination of DACKi_N, WR1_N, and WR0_N.

Note 3-3: The control signal when reading data is a combination of DACKi_N and RD_N.

Note 3-4: The control signal when writing data is a combination of DACK0 and DSTRB0_N.

Note 3-5: The control signal when writing data is a combination of CS_N, WR0_N and WR1_N.

Note 3-6: The control signal when reading data is a combination of CS_N and RD_N.

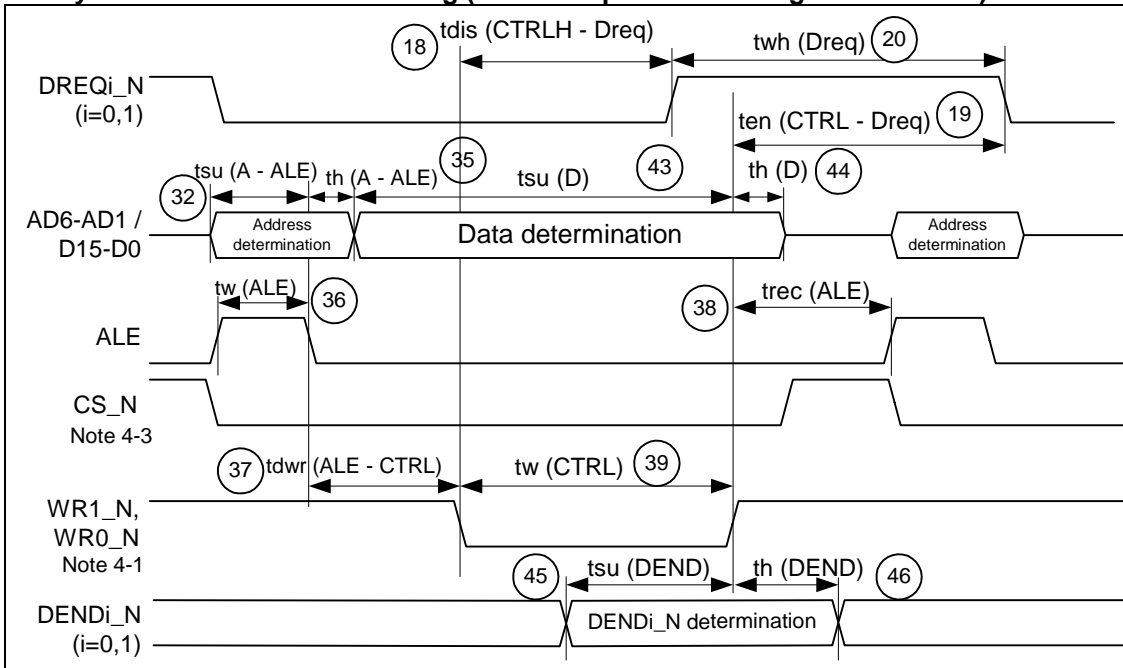
Note 3-7: RD_N, WR0_N and WR1_N should not be timed to fall at the same time that CS_N is rising. Similarly, CS_N should not be timed to fall at the same timing that RD_N or WR0_N and WR1_N are rising. In the instances noted above, an interval of at least 10 ns must be left open.

Note 3-8: RD_N, WR0_N and WR1_N should not be timed to fall at the same time that DACKi_N is rising (or falling). Similarly, DACK should not be timed to fall (or rise) at the same timing that RD_N or WR0_N and WR1_N are rising. In the instances noted above, an interval of at least 10 ns must be left open.

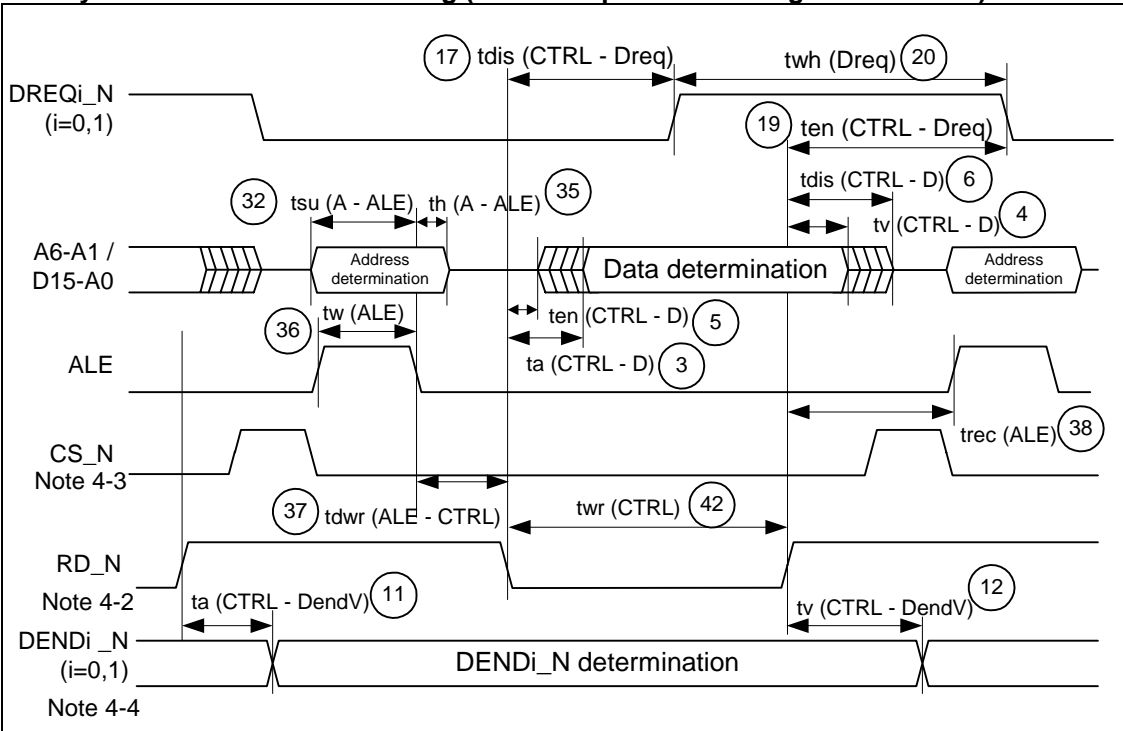
Note 3-9: When the receipt data is one byte, the data determined time is "(23)td(DREQ-DV)" and the DEND determined time is "(24)td(DREQ-DendV)".

4.9.4 DMA access timing(cycle steal transfer, when a multiplex bus is set)

4.9.4.1 DMA cycle steal transfer write timing (CPU multiplex bus setting: DFORM=000)



4.9.4.2 DMA cycle steal transfer read timing (CPU multiplex bus setting: DFORM=000)



Note 4-1: The control signal when writing data is a combination of CS_N, WR0_N, and WR1_N.

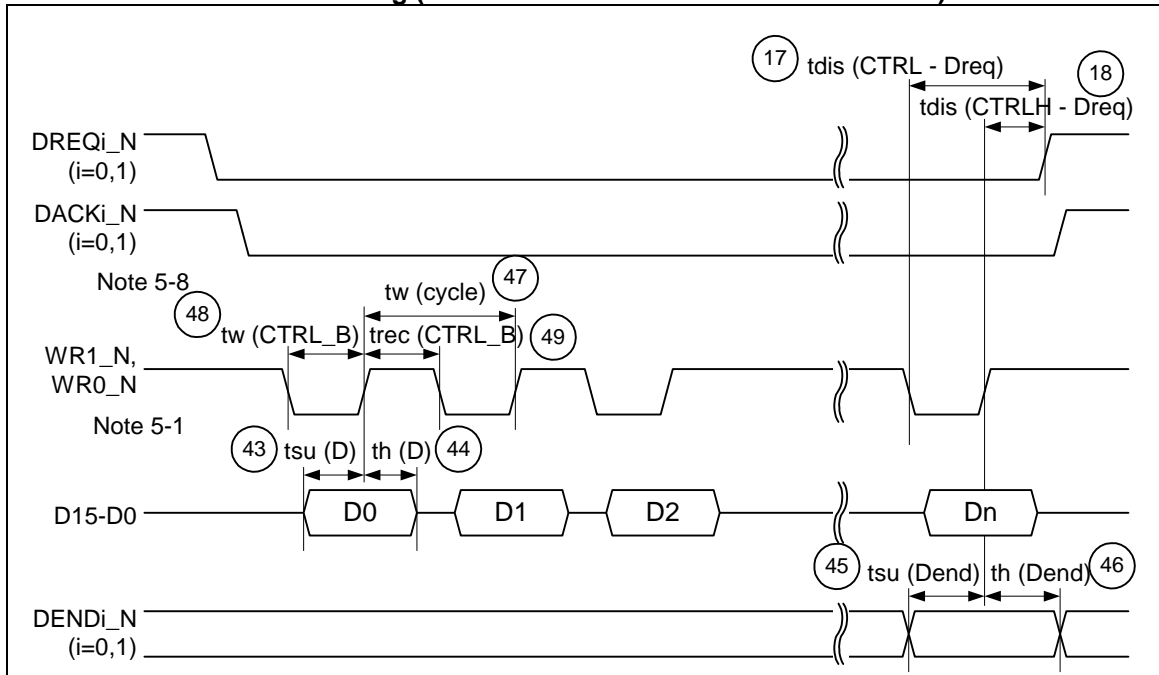
Note 4-2: The control signal when reading data is a combination of CS_N and RD_N.

Note 4-3: RD_N, WR0_N and WR1_N should not be timed to fall at the same time that CS_N is rising. Similarly, CS_N should not be timed to fall (or rise) at the same timing that RD_N or WR0_N and WR1_N are rising. In the instances noted above, an interval of at least 10 ns must be left open.

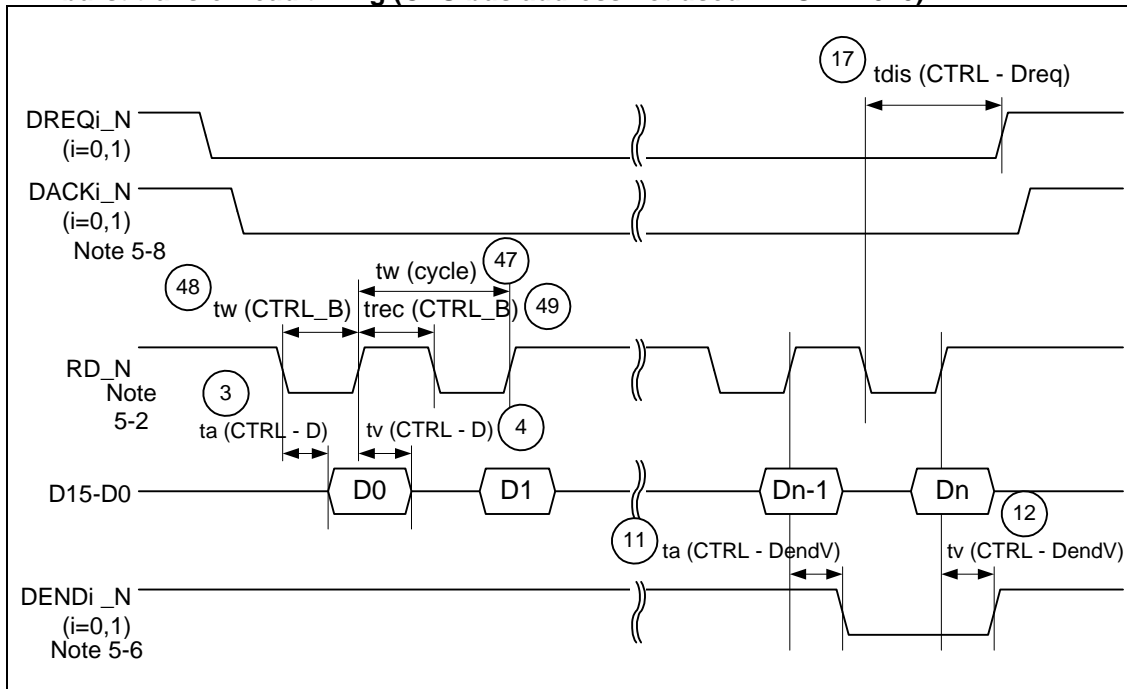
Note 4-4: When the receipt data is one byte, the DEND determined time is "(24)td(DREQ-DendV)".

4.9.5 DMA access timing (when burst transfer and separate bus are set)

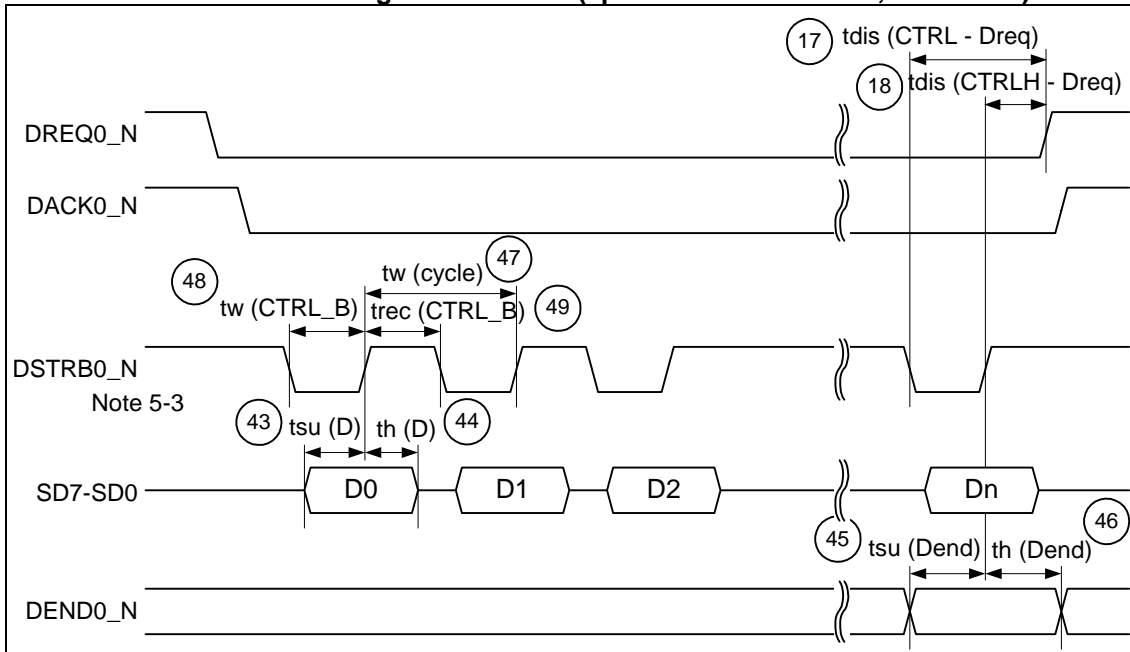
4.9.5.1 DMA burst transfer write timing (CPU bus address not used: DFORM=010)



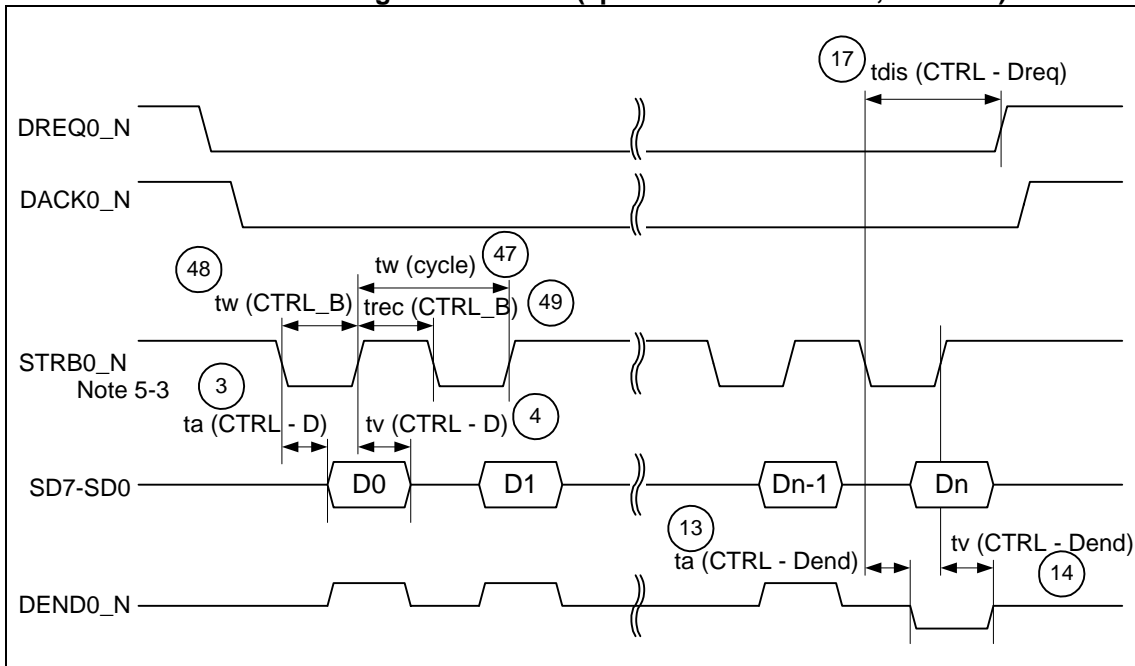
4.9.5.2 DMA burst transfer read timing (CPU bus address not used: DFORM=010)



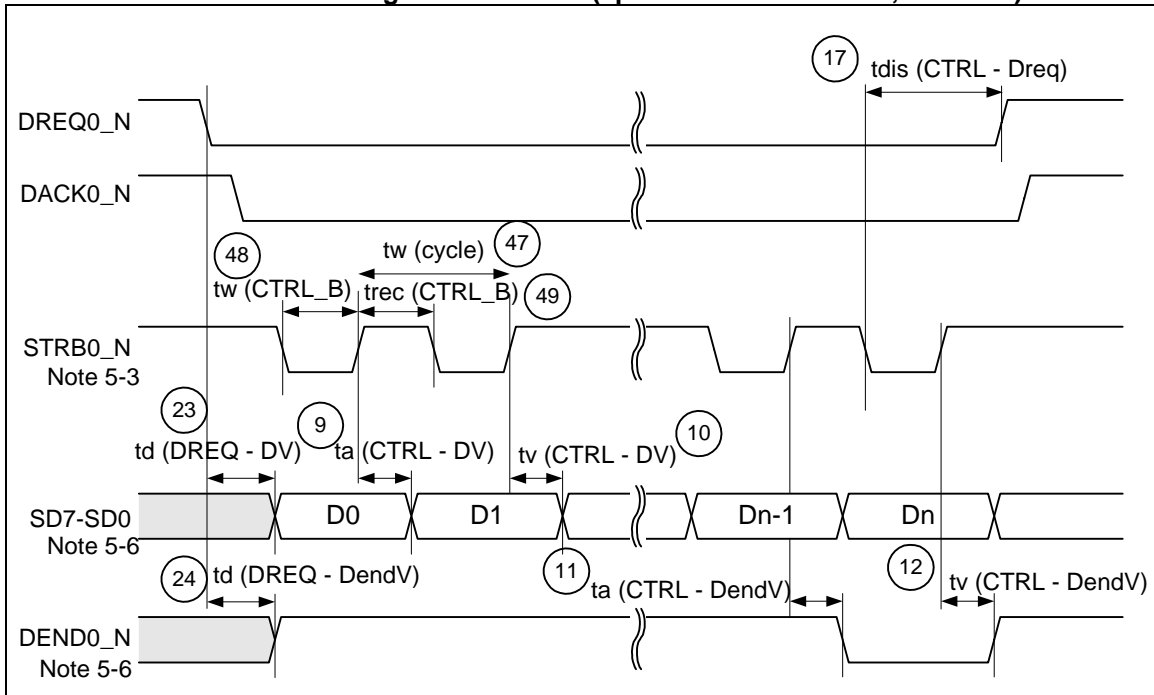
4.9.5.3 DMA burst transfer write timing for strobe use(split bus : DFORM=110, OBUS=1/0)



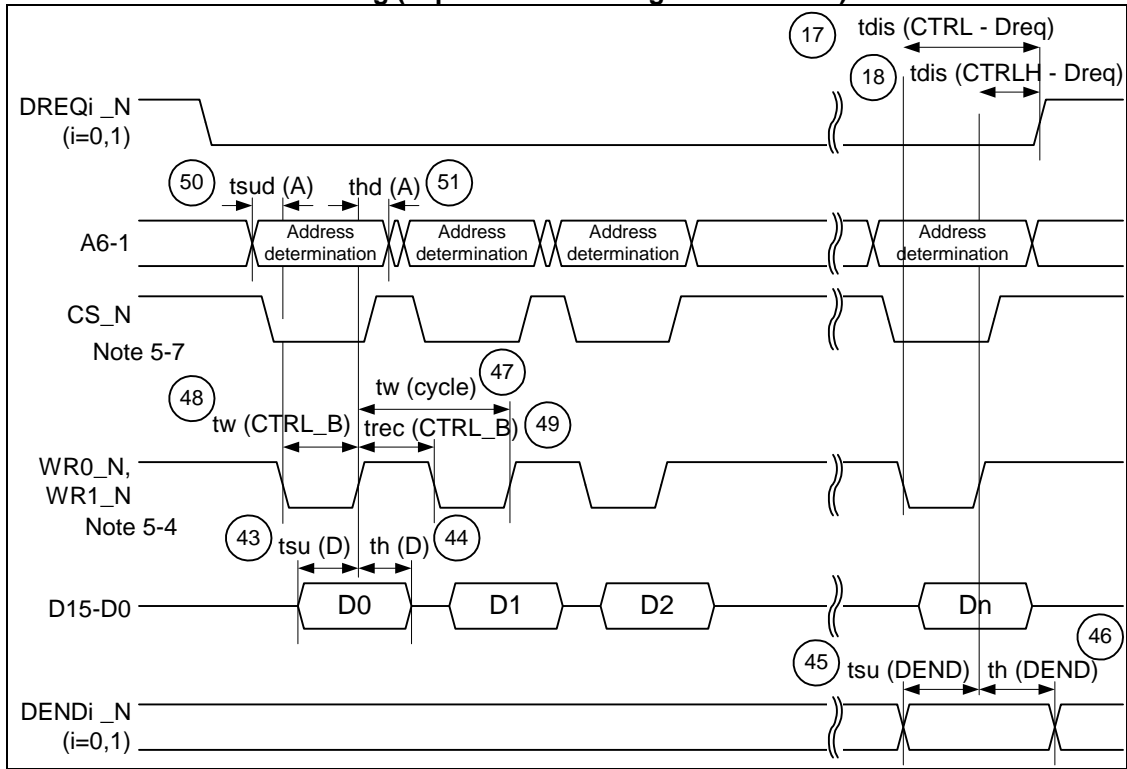
4.9.5.4 DMA burst transfer read timing for strobe use(split bus : DFORM=110, OBUS=1)



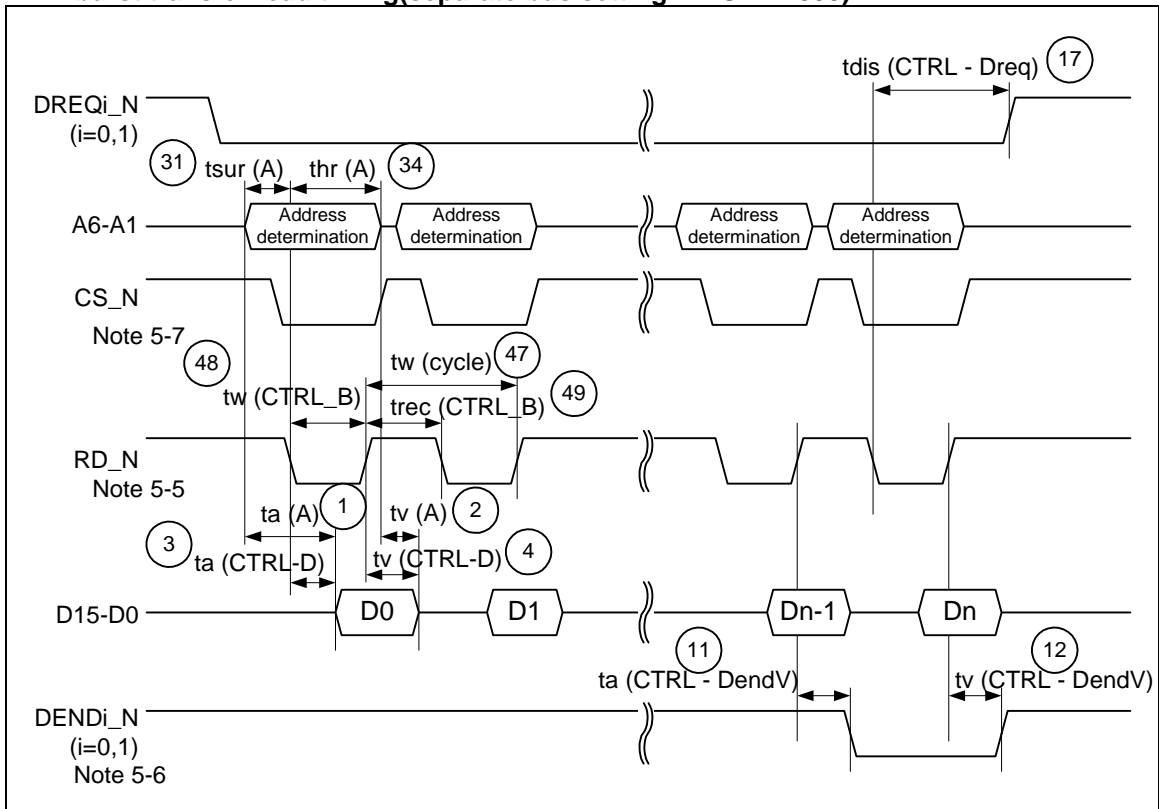
4.9.5.5 DMA burst transfer read timing for strobe use (split bus : DFORM=110, OBUS=0)



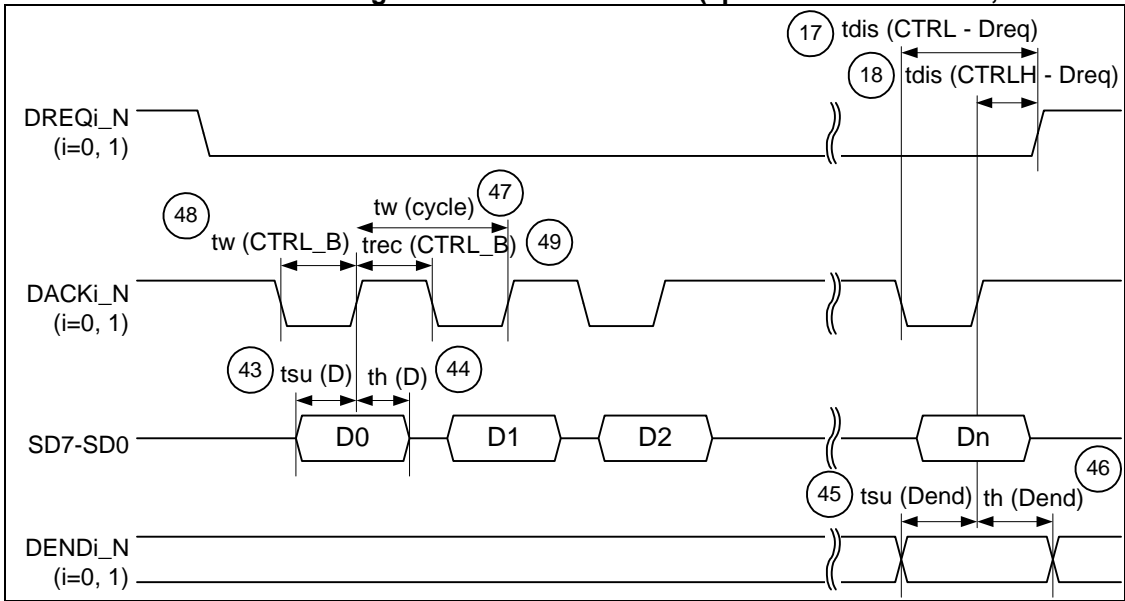
4.9.5.6 DMA burst transfer write timing (separate bus setting: DFORM=000)



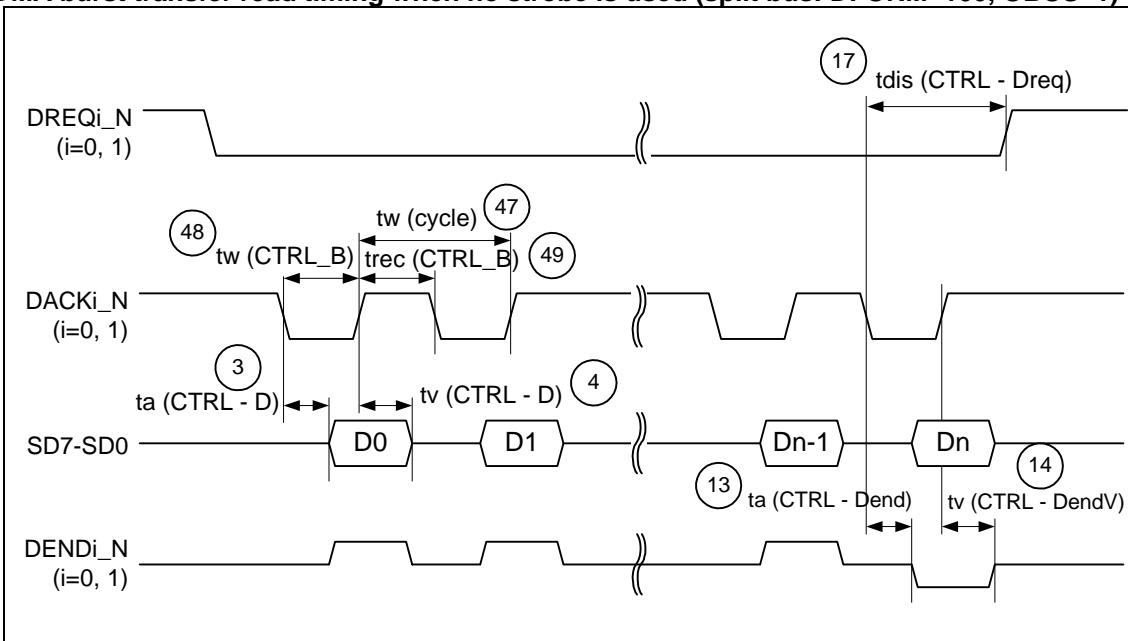
4.9.5.7 DMA burst transfer read timing (separate bus setting: DFORM=000)



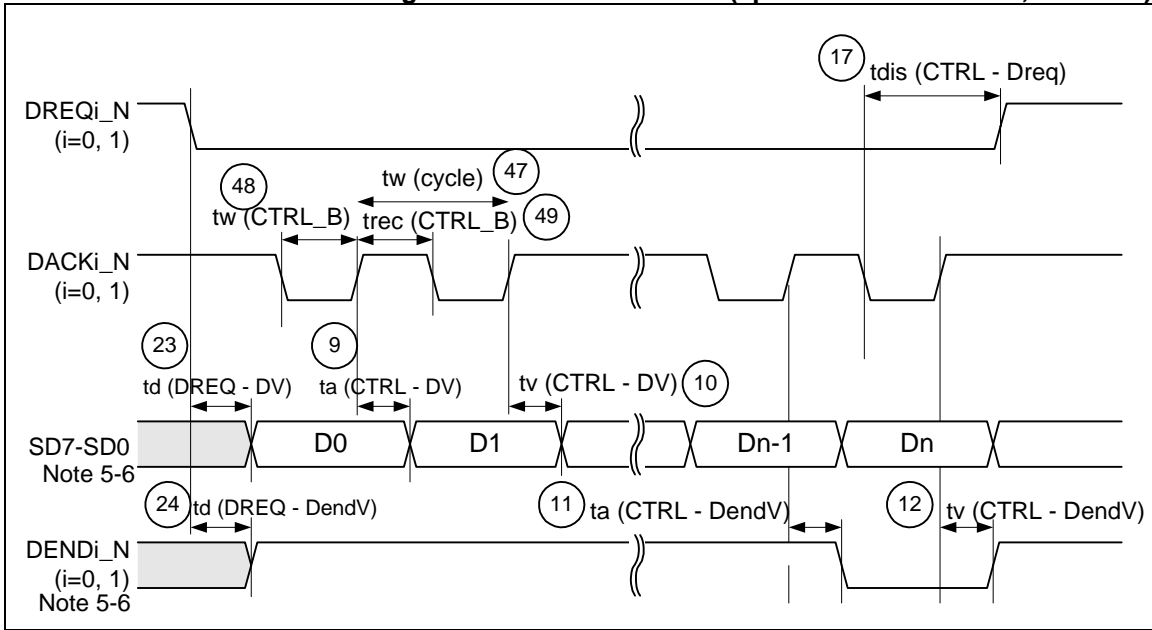
4.9.5.8 DMA burst transfer write timing when no strobe is used (split bus: DFORM=100, OBUS=1/0)



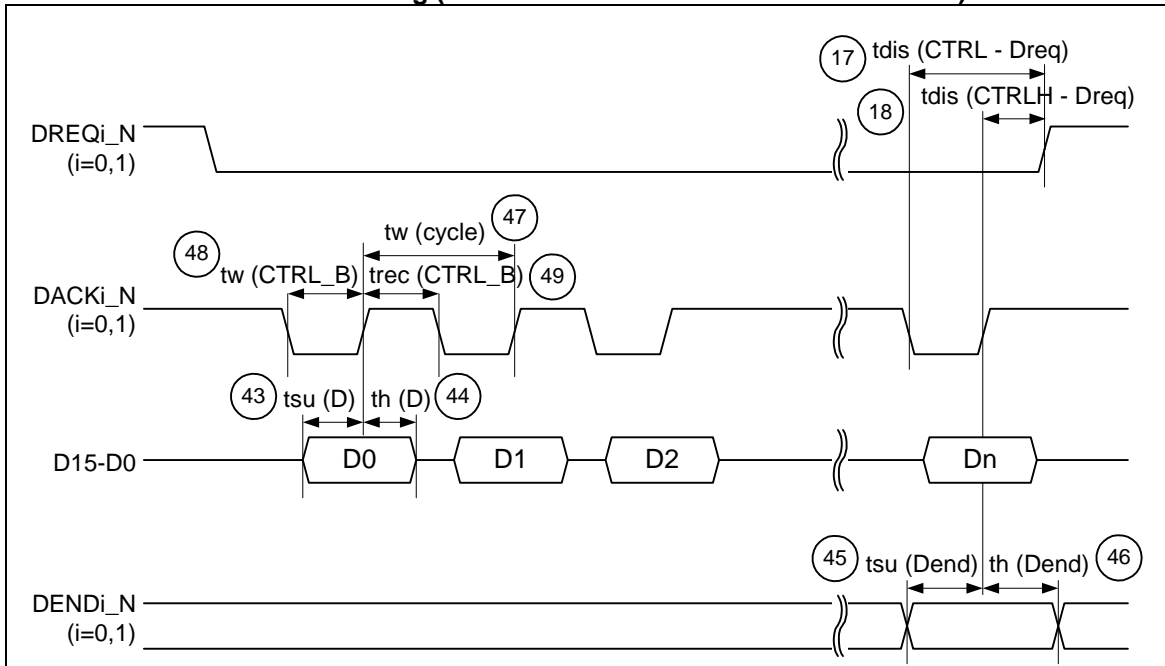
4.9.5.9 DMA burst transfer read timing when no strobe is used (split bus: DFORM=100, OBUS=1)



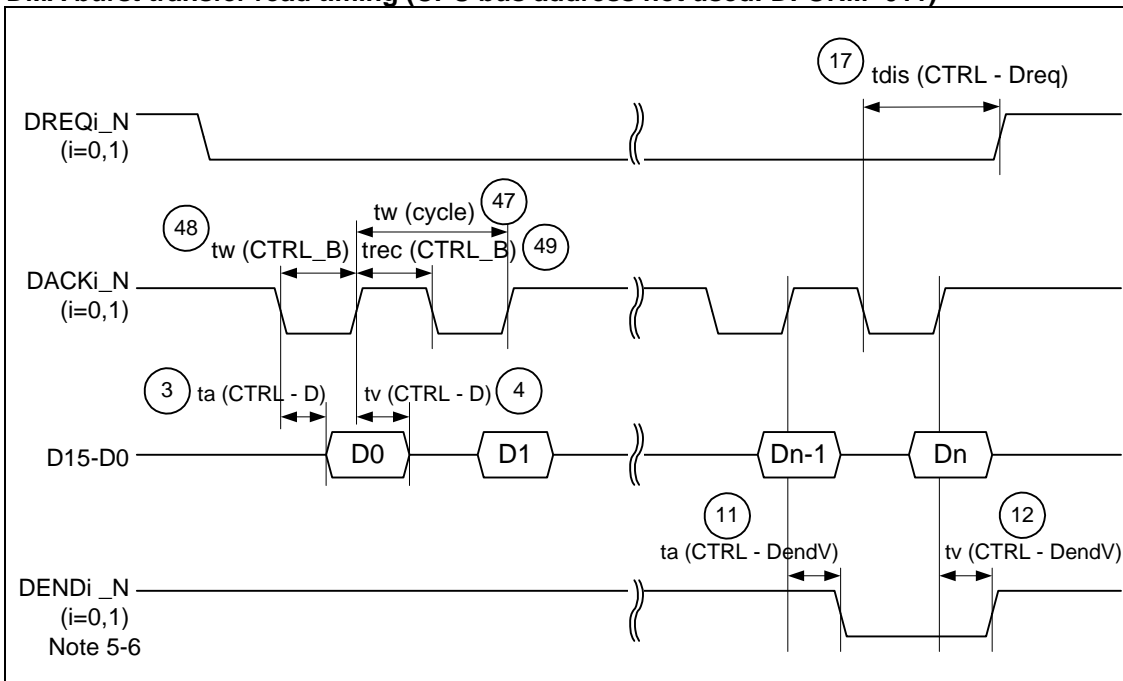
4.9.5.10 DMA burst transfer read timing when no strobe is used (split bus: DFORM=100, OBUS=0)



4.9.5.11 DMA Burst transfer write timing (CPU bus address not used: DFORM=011)



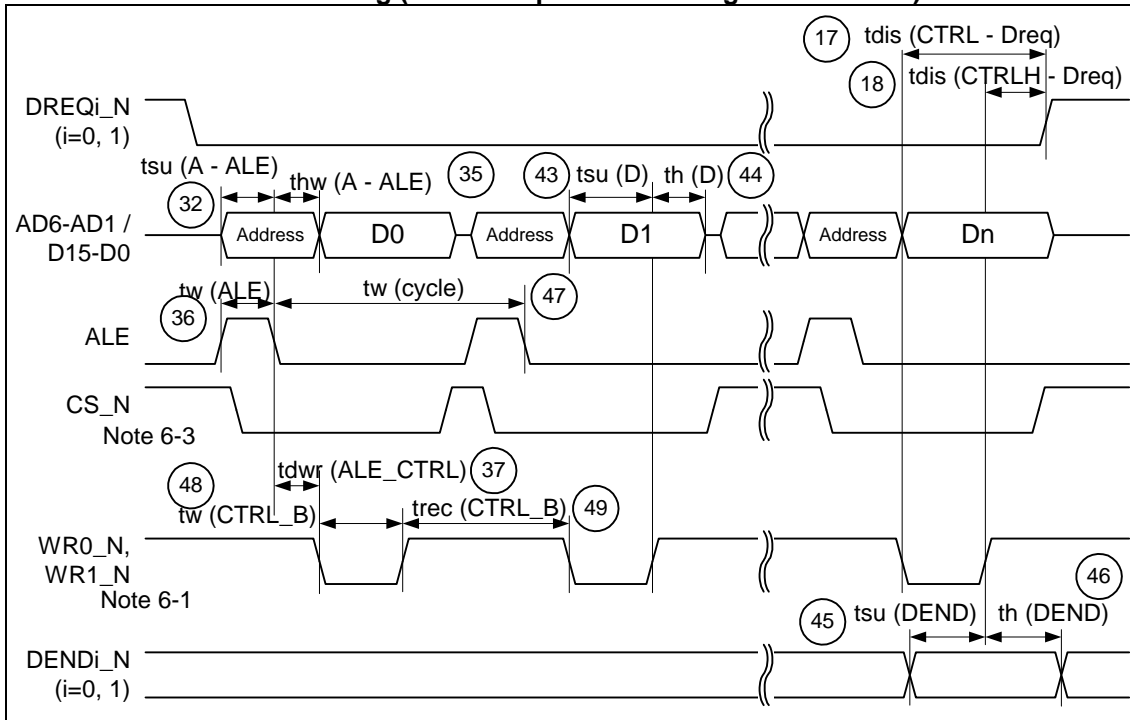
4.9.5.12 DMA burst transfer read timing (CPU bus address not used: DFORM=011)



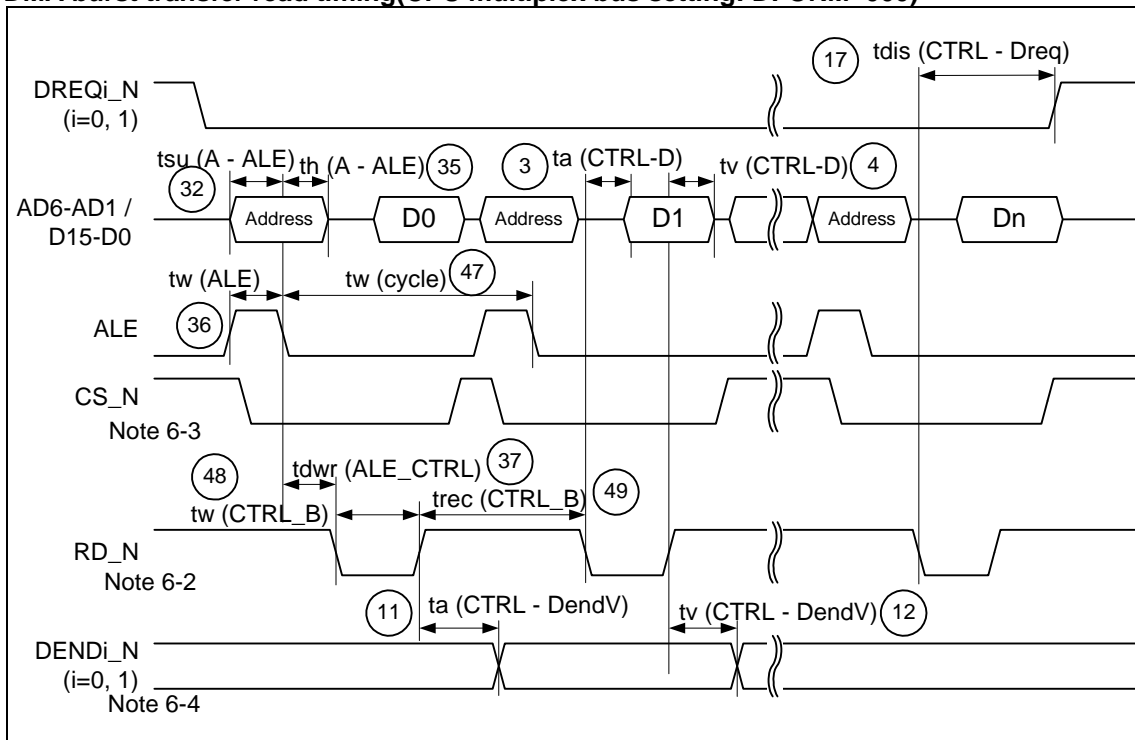
- Note 5-1: The control signal when writing data is a combination of DACKi_N(i=0, 1), WR0_N and WR1_N.
- Note 5-2: The control signal when reading data is a combination of DACKi_N and RD_N.
- Note 5-3: The control signal when writing data is a combination of DACK0 and DSTRB0_N.
- Note 5-4: The control signal when writing data is a combination of CS_N, WR0_N and WR1_N.
- Note 5-5: The control signal when reading data is a combination of CS_N and RD_N.
- Note 5-6: When the receipt data is one byte, the data determined time is "(23)td(DREQ-DV)" and the DEND determined time is "(24)td(DREQ-DendV)".
- Note 5-7: RD_N, WR0_N and WR1_N should not be timed to fall at the same time that CS_N is rising. Similarly, CS_N should not be timed to fall at the same timing that RD_N, WR0_N and WR1_N are rising. In the instances noted above, an interval must be needed at least 10ns.
- Note 5-8: RD_N, WR0_N and WR1_N should not be timed to fall at the same time that DACKi_N is rising. Similarly, DACKi_N should not be timed to fall at the same timing that RD_N, WR0_N and WR1_N are rising. In the instances noted above, an interval must be needed at least 10ns.

4.9.6 DMA access timing(burst transfer, when a multiplex bus is set)

4.9.6.1 DMA burst transfer write timing (CPU multiplex bus setting: DFORM=000)



4.9.6.2 DMA burst transfer read timing(CPU multiplex bus setting: DFORM=000)



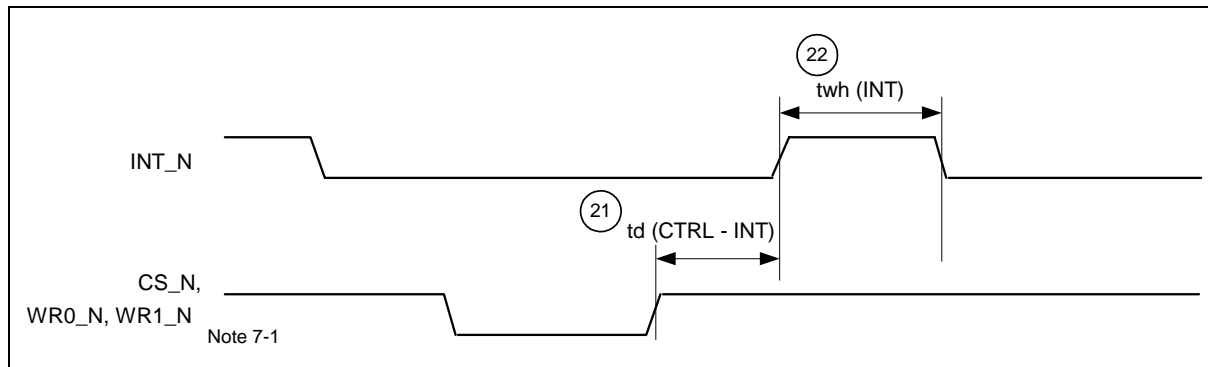
Note 6-1: The control signal when writing data is a combination of CS_N, WR0_N and WR1_N.

Note 6-2: The control signal when reading data is a combination of CS_N and RD_N.

Note 6-3: RD_N, WR0_N and WR1_N should not be timed to fall at the same time that CS_N is rising. Similarly, CS_N should not be timed to fall at the same timing that RD_N or WR0_N and WR1_N are rising. In the instances noted above, an interval of at least 10 ns must be left open.

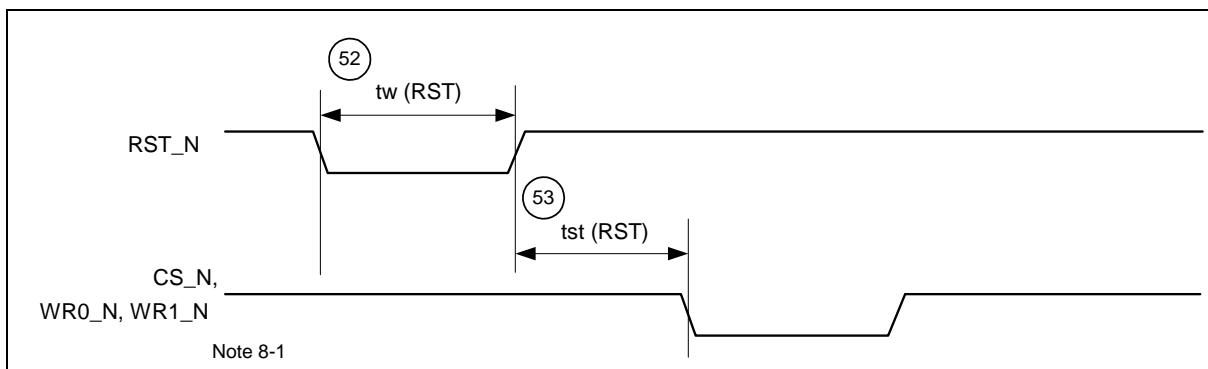
Note 6-4: When the receipt data is one byte, the DEND determined time is "(24)td(DREQ-DendV)".

4.10 Interrupt timing



Note 7-1: Writing using the combination of CS_N, WR0_N and WR1_N takes place during the active (“L”) overlap period. The ratings from the rising edge are valid starting from the earliest change in the inactive signal.

4.11 Reset timing



Note 8-1: Writing using the combination of CS_N, WR0_N and WR1_N takes place during the active (“L”) overlap period. The ratings from the rising edge are valid starting from the earliest change in the inactive signal.

REVISION HISTORY

M66596 Data Sheet

Rev.	Date	Description	
		Page	Summary
0.79	2004.07.7	-	First edition issued
0.79A	2004.07.21	6 52 52-53 53 53	Change *3), *5), *6) of Table 1.1 Change INDEX of Table 3.1 Change INDEX of Table 3.2 Change note *2) --> *1) of Table 3.2 Delete note *3) of Table 3.2
0.80	2004.10.5	4 (1.3)	Added: Figure 1.2
		5 (1.4)	Modified: "Table 1.1 describes the controller pins."
		9 (1.6)	Modified: "The controller is configured with an analog front end unit (AFE),"
		12 (2.1)	Corrected: Addr 0x6C "Pipe period control register"
		13-14 (2.2)	Added: Addr 0x32 "BRDYM", "PCSE" Addr 0x70 – 0x78 "INBUFM"
		15-45 (2.3-2.14)	Added and corrected : Reference to chapter 2 and 3 in note of table. Corrected: Note *1)
		15 (2.3)	Added: "or clock stop state" Corrected: Note *1)
		19 (2.4.1)	Modified: "Each bit of the DVSTCTR register" Added: "According to the USB specification, USB idle state..."
		20 (2.5)	Modified: Note *1)
		22 (2.5.2)	Modified: "Table 2.7 and Table 2.8 show the byte Endian operation..."
		23 25(2.6)	Corrected: Note 5, 6, 7, 8 Corrected: Note *7)
		28 (2.7)	Added: PCSE and BRDYM bits Added: Note *3), *4)
		40 (2.13)	Corrected: PID bit Modified: Note *5)
		42-45 (2.14)	Corrected: Note *4), *5), *6), *7) Corrected: Default value of bit6 of PIPEMAXP Corrected and added: Note *12), *13), *14), *15)
		104 (4)	Moved: Chapter3 to Chapter4
105,106 (4.3.4.4)	Corrected: Average supply current at HS operation; 60mA to 40mA.		
51 (3)	Added: Chapter 3 Description of Operation		
1.00	2006.3.14	7 (1.7)	Added: 1.7
		17 (2.2)	Corrected: Addr 0x68, 0x6A

1.00	2006.3.14	18 (2.3)	Corrected: Bit symbol of bit 5. Corrected: Description of FSRPC.
		20 (2.3.3)	Added: Description of Line status monitor
		20 (2.3.4)	Added: note of Table2.5.
		21 (2.4)	Corrected: Note *3)
		22 (2.4)	Corrected: Description of 2.4.1 Added: Description of 2.4.2
		27 (2.6)	Added: Note *6)
		28 (2.6)	Corrected: Note *9)
		41 (2.13)	Corrected: Note *9), *10)
		46 (2.14)	Corrected: Bit alignment of address 0x68.
		48 (2.14)	Corrected: Note *15), *18)
		49 (3.1.2)	Corrected: BIGENB bit of Table 3.2.
		54 (3.1.7.6)	Corrected: Description of Auto clock supply function.
		55 (3.1.7.7)	Added: 3.1.7.7
		59 (3.1.8.6)	Corrected: Description of (2).
		60 (3.2)	Corrected: Description of SOFR and SIGN of Table 3.7.
		63 (3.2.2)	Added: 3.2.2
		64 (3.2.3)	Corrected: Table 3.9
		65 (3.2.3)	Corrected: Description of "If a Zero-length ...", "The conditions on ..."
		66 (3.2.4.1)	Added: "*However ..."
		66 (3.2.4.1)	Added: "When a token is ..."
		71 (3.2.9) (3.2.10) (3.2.11)	Added: "This interruption is ..."
		71 (3.2.12)	Corrected: Description of 3.2.12.
		73 (3.3.3)	Added: "In the Host mode do not set ..."
		74 (3.3.4)	Corrected: Description of 3.3.4.

1.00	2006.3.14	75 (3.3.6)	Added: "In control transfer of ..."
		87 (3.6.2)	Deleted: "If the short packet..."
		87 (3.6.3)	Added: "The 1 st data packet ..."
		102 (4.5.2)	Added: Description of (3)
		113 (4.9.3.8) (4.9.3.9)	Corrected: Chapter name "... when strobe is not used"

RENESAS Technology Corp. Sales Strategic Planning Div. Nippon Bldg., 2-6-2, Ohte-machi, Chiyoda-ku, Tokyo 100-0004, Japan

Keep safety first in your circuit designs!

1. Renesas Technology Corp. puts the maximum effort into making semiconductor products better and more reliable, but there is always the possibility that trouble may occur with them. Trouble with semiconductors may lead to personal injury, fire or property damage. Remember to give due consideration to safety when making your circuit designs, with appropriate measures such as (i) placement of substitutive, auxiliary circuits, (ii) use of nonflammable material or (iii) prevention against any malfunction or mishap.

Notes regarding these materials

1. These materials are intended as a reference to assist our customers in the selection of the Renesas Technology Corp. product best suited to the customer's application; they do not convey any license under any intellectual property rights, or any other rights, belonging to Renesas Technology Corp. or a third party.
2. Renesas Technology Corp. assumes no responsibility for any damage, or infringement of any third-party's rights, originating in the use of any product data, diagrams, charts, programs, algorithms, or circuit application examples contained in these materials.
3. All information contained in these materials, including product data, diagrams, charts, programs and algorithms represents information on products at the time of publication of these materials, and are subject to change by Renesas Technology Corp. without notice due to product improvements or other reasons. It is therefore recommended that customers contact Renesas Technology Corp. or an authorized Renesas Technology Corp. product distributor for the latest product information before purchasing a product listed herein.
The information described here may contain technical inaccuracies or typographical errors.
Renesas Technology Corp. assumes no responsibility for any damage, liability, or other loss rising from these inaccuracies or errors.
Please also pay attention to information published by Renesas Technology Corp. by various means, including the Renesas Technology Corp. Semiconductor home page (<http://www.renesas.com>).
4. When using any or all of the information contained in these materials, including product data, diagrams, charts, programs, and algorithms, please be sure to evaluate all information as a total system before making a final decision on the applicability of the information and products. Renesas Technology Corp. assumes no responsibility for any damage, liability or other loss resulting from the information contained herein.
5. Renesas Technology Corp. semiconductors are not designed or manufactured for use in a device or system that is used under circumstances in which human life is potentially at stake. Please contact Renesas Technology Corp. or an authorized Renesas Technology Corp. product distributor when considering the use of a product contained herein for any specific purposes, such as apparatus or systems for transportation, vehicular, medical, aerospace, nuclear, or undersea repeater use.
6. The prior written approval of Renesas Technology Corp. is necessary to reprint or reproduce in whole or in part these materials.
7. If these products or technologies are subject to the Japanese export control restrictions, they must be exported under a license from the Japanese government and cannot be imported into a country other than the approved destination.
Any diversion or reexport contrary to the export control laws and regulations of Japan and/or the country of destination is prohibited.
8. Please contact Renesas Technology Corp. for further details on these materials or the products contained therein.



RENESAS SALES OFFICES

<http://www.renesas.com>

Refer to "<http://www.renesas.com/en/network>" for the latest and detailed information.

Renesas Technology America, Inc.

450 Holger Way, San Jose, CA 95134-1368, U.S.A
Tel: <1> (408) 382-7500, Fax: <1> (408) 382-7501

Renesas Technology Europe Limited

Dukes Meadow, Millboard Road, Bourne End, Buckinghamshire, SL8 5FH, U.K.
Tel: <44> (1628) 585-100, Fax: <44> (1628) 585-900

Renesas Technology (Shanghai) Co., Ltd.

Unit 204, 205, AZIACenter, No.1233 Lujiazui Ring Rd, Pudong District, Shanghai, China 200120
Tel: <86> (21) 5877-1818, Fax: <86> (21) 6887-7898

Renesas Technology Hong Kong Ltd.

7th Floor, North Tower, World Finance Centre, Harbour City, 1 Canton Road, Tsimshatsui, Kowloon, Hong Kong
Tel: <852> 2265-6688, Fax: <852> 2730-6071

Renesas Technology Taiwan Co., Ltd.

10th Floor, No.99, Fushing North Road, Taipei, Taiwan
Tel: <886> (2) 2715-2888, Fax: <886> (2) 2713-2999

Renesas Technology Singapore Pte. Ltd.

1 Harbour Front Avenue, #06-10, Keppel Bay Tower, Singapore 098632
Tel: <65> 6213-0200, Fax: <65> 6278-8001

Renesas Technology Korea Co., Ltd.

Kukje Center Bldg. 18th Fl., 191, 2-ka, Hangang-ro, Yongsan-ku, Seoul 140-702, Korea
Tel: <82> (2) 796-3115, Fax: <82> (2) 796-2145

Renesas Technology Malaysia Sdn. Bhd

Unit 906, Block B, Menara Amcorp, Amcorp Trade Centre, No.18, Jalan Persiaran Barat, 46050 Petaling Jaya, Selangor Darul Ehsan, Malaysia
Tel: <603> 7955-9390, Fax: <603> 7955-9510