

To our customers,

Old Company Name in Catalogs and Other Documents

On April 1st, 2010, NEC Electronics Corporation merged with Renesas Technology Corporation, and Renesas Electronics Corporation took over all the business of both companies. Therefore, although the old company name remains in this document, it is a valid Renesas Electronics document. We appreciate your understanding.

Renesas Electronics website: <http://www.renesas.com>

April 1st, 2010
Renesas Electronics Corporation

Issued by: Renesas Electronics Corporation (<http://www.renesas.com>)

Send any inquiries to <http://www.renesas.com/inquiry>.

Notice

1. All information included in this document is current as of the date this document is issued. Such information, however, is subject to change without any prior notice. Before purchasing or using any Renesas Electronics products listed herein, please confirm the latest product information with a Renesas Electronics sales office. Also, please pay regular and careful attention to additional and different information to be disclosed by Renesas Electronics such as that disclosed through our website.
2. Renesas Electronics does not assume any liability for infringement of patents, copyrights, or other intellectual property rights of third parties by or arising from the use of Renesas Electronics products or technical information described in this document. No license, express, implied or otherwise, is granted hereby under any patents, copyrights or other intellectual property rights of Renesas Electronics or others.
3. You should not alter, modify, copy, or otherwise misappropriate any Renesas Electronics product, whether in whole or in part.
4. Descriptions of circuits, software and other related information in this document are provided only to illustrate the operation of semiconductor products and application examples. You are fully responsible for the incorporation of these circuits, software, and information in the design of your equipment. Renesas Electronics assumes no responsibility for any losses incurred by you or third parties arising from the use of these circuits, software, or information.
5. When exporting the products or technology described in this document, you should comply with the applicable export control laws and regulations and follow the procedures required by such laws and regulations. You should not use Renesas Electronics products or the technology described in this document for any purpose relating to military applications or use by the military, including but not limited to the development of weapons of mass destruction. Renesas Electronics products and technology may not be used for or incorporated into any products or systems whose manufacture, use, or sale is prohibited under any applicable domestic or foreign laws or regulations.
6. Renesas Electronics has used reasonable care in preparing the information included in this document, but Renesas Electronics does not warrant that such information is error free. Renesas Electronics assumes no liability whatsoever for any damages incurred by you resulting from errors in or omissions from the information included herein.
7. Renesas Electronics products are classified according to the following three quality grades: “Standard”, “High Quality”, and “Specific”. The recommended applications for each Renesas Electronics product depends on the product’s quality grade, as indicated below. You must check the quality grade of each Renesas Electronics product before using it in a particular application. You may not use any Renesas Electronics product for any application categorized as “Specific” without the prior written consent of Renesas Electronics. Further, you may not use any Renesas Electronics product for any application for which it is not intended without the prior written consent of Renesas Electronics. Renesas Electronics shall not be in any way liable for any damages or losses incurred by you or third parties arising from the use of any Renesas Electronics product for an application categorized as “Specific” or for which the product is not intended where you have failed to obtain the prior written consent of Renesas Electronics. The quality grade of each Renesas Electronics product is “Standard” unless otherwise expressly specified in a Renesas Electronics data sheets or data books, etc.

“Standard”: Computers; office equipment; communications equipment; test and measurement equipment; audio and visual equipment; home electronic appliances; machine tools; personal electronic equipment; and industrial robots.

“High Quality”: Transportation equipment (automobiles, trains, ships, etc.); traffic control systems; anti-disaster systems; anti-crime systems; safety equipment; and medical equipment not specifically designed for life support.

“Specific”: Aircraft; aerospace equipment; submersible repeaters; nuclear reactor control systems; medical equipment or systems for life support (e.g. artificial life support devices or systems), surgical implantations, or healthcare intervention (e.g. excision, etc.), and any other applications or purposes that pose a direct threat to human life.
8. You should use the Renesas Electronics products described in this document within the range specified by Renesas Electronics, especially with respect to the maximum rating, operating supply voltage range, movement power voltage range, heat radiation characteristics, installation and other product characteristics. Renesas Electronics shall have no liability for malfunctions or damages arising out of the use of Renesas Electronics products beyond such specified ranges.
9. Although Renesas Electronics endeavors to improve the quality and reliability of its products, semiconductor products have specific characteristics such as the occurrence of failure at a certain rate and malfunctions under certain use conditions. Further, Renesas Electronics products are not subject to radiation resistance design. Please be sure to implement safety measures to guard them against the possibility of physical injury, and injury or damage caused by fire in the event of the failure of a Renesas Electronics product, such as safety design for hardware and software including but not limited to redundancy, fire control and malfunction prevention, appropriate treatment for aging degradation or any other appropriate measures. Because the evaluation of microcomputer software alone is very difficult, please evaluate the safety of the final products or system manufactured by you.
10. Please contact a Renesas Electronics sales office for details as to environmental matters such as the environmental compatibility of each Renesas Electronics product. Please use Renesas Electronics products in compliance with all applicable laws and regulations that regulate the inclusion or use of controlled substances, including without limitation, the EU RoHS Directive. Renesas Electronics assumes no liability for damages or losses occurring as a result of your noncompliance with applicable laws and regulations.
11. This document may not be reproduced or duplicated, in any form, in whole or in part, without prior written consent of Renesas Electronics.
12. Please contact a Renesas Electronics sales office if you have any questions regarding the information contained in this document or Renesas Electronics products, or if you have any other inquiries.

(Note 1) “Renesas Electronics” as used in this document means Renesas Electronics Corporation and also includes its majority-owned subsidiaries.

(Note 2) “Renesas Electronics product(s)” means any product developed or manufactured by or for Renesas Electronics.

M62436FP

SRS Sound Controller with SRS FOCUS, SRS Surround Sound On-Chip Sound Controller

REJ03F0061-0100Z

Rev.1.0

Sep.19.2003

Description

The M62436FP is a soundstaging control IC that was developed primarily for car audio systems. It provides increased flexibility in speaker placement and can also be used for home audio applications. (The M62436FP is particularly effective when combined with SRS.)

Note: The FOCUS technology rights incorporated in the M62436FP are owned by SRS Labs, a U.S. Corporation and licensed to Renesas Technology. Purchaser of M62436FP must sign a license for use of the chip and display of the SRS Labs trademarks. Any products incorporating the M62436FP must be sent to SRS Labs for review. FOCUS is protected under US and foreign patents issued and/or pending. FOCUS, SRS and (O) symbol are trademarks of SRS Labs, Inc. in the United States and selected foreign countries. Neither the purchase of the M62436FP, nor the corresponding sale of audio enhancement equipment conveys the right to sell commercialized recordings made with any SRS technology. SRS Labs requires all set makers to comply with all rules and regulations as outlined in the SRS Trademark Usage Manual separately provided.

Features

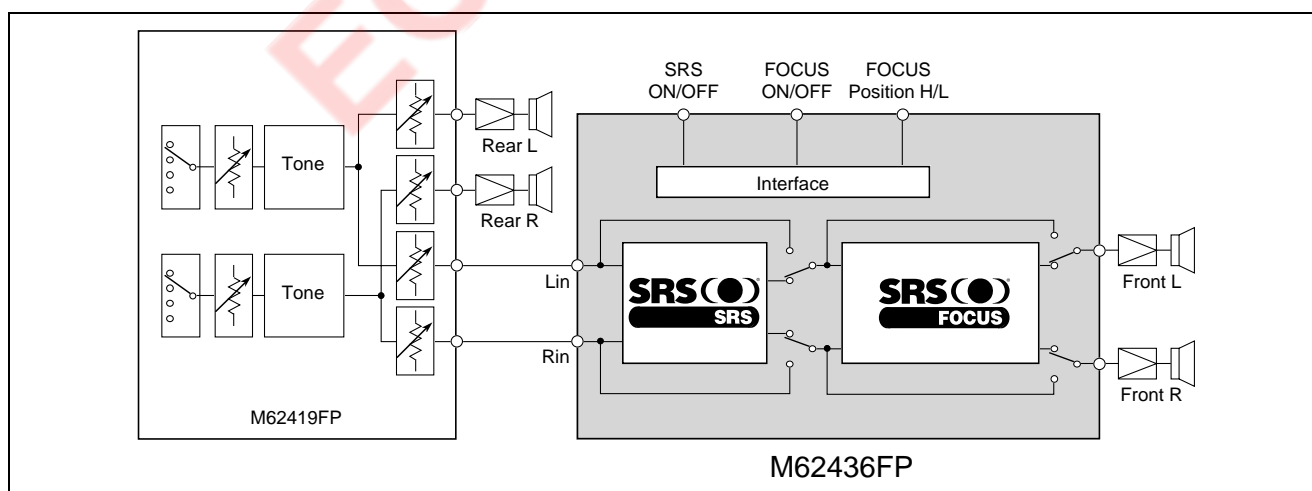
- On-chip SRS Focus
- On-chip SRS sound
- SRS on/off, Focus on/off, and bypass settings implemented using DC control

Recommended Operating Conditions

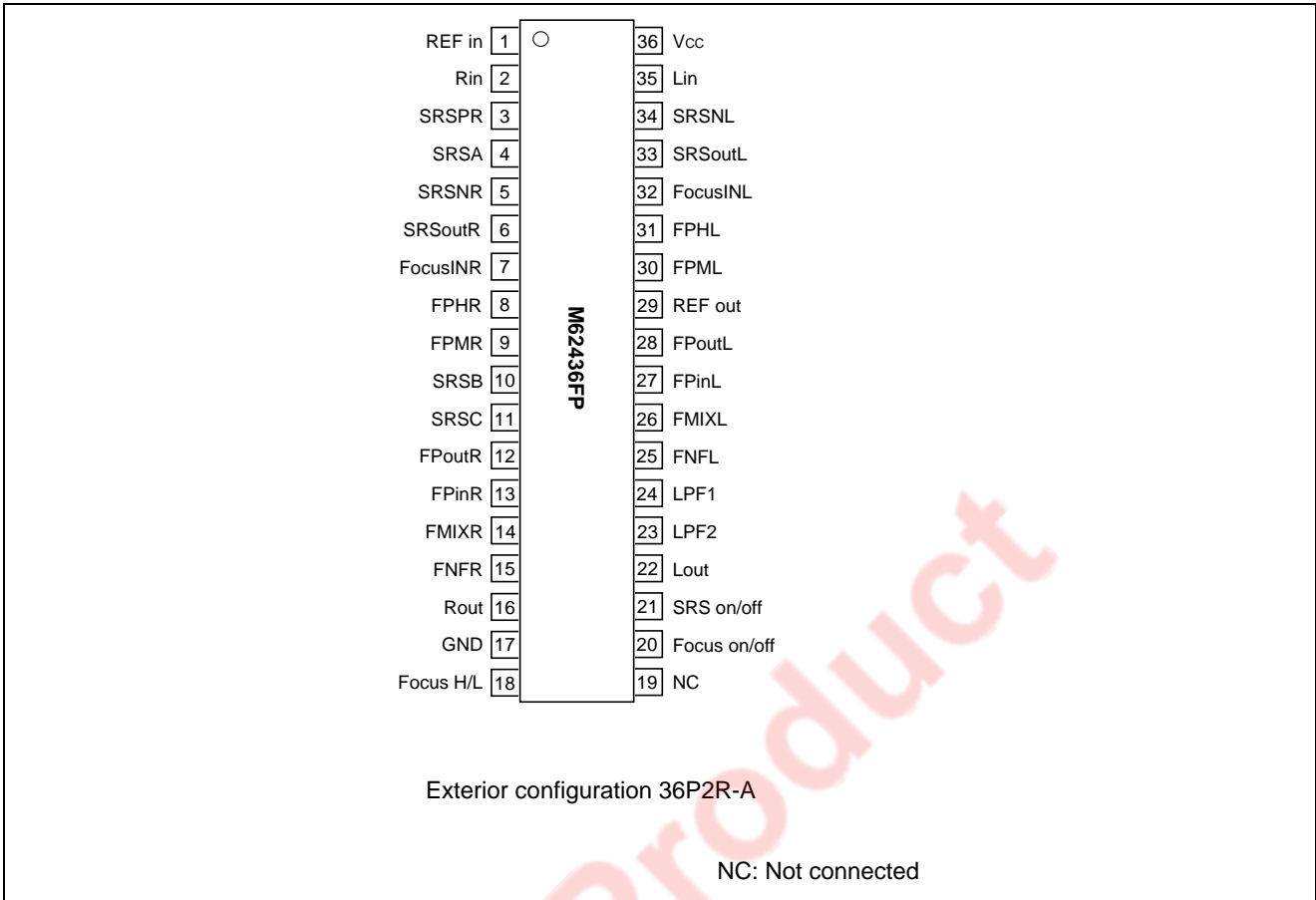
Power supply voltage range: $V_{cc} = 4.5-12\text{ V}$

Rated power supply voltage: $V_{cc} = 8\text{ V}$

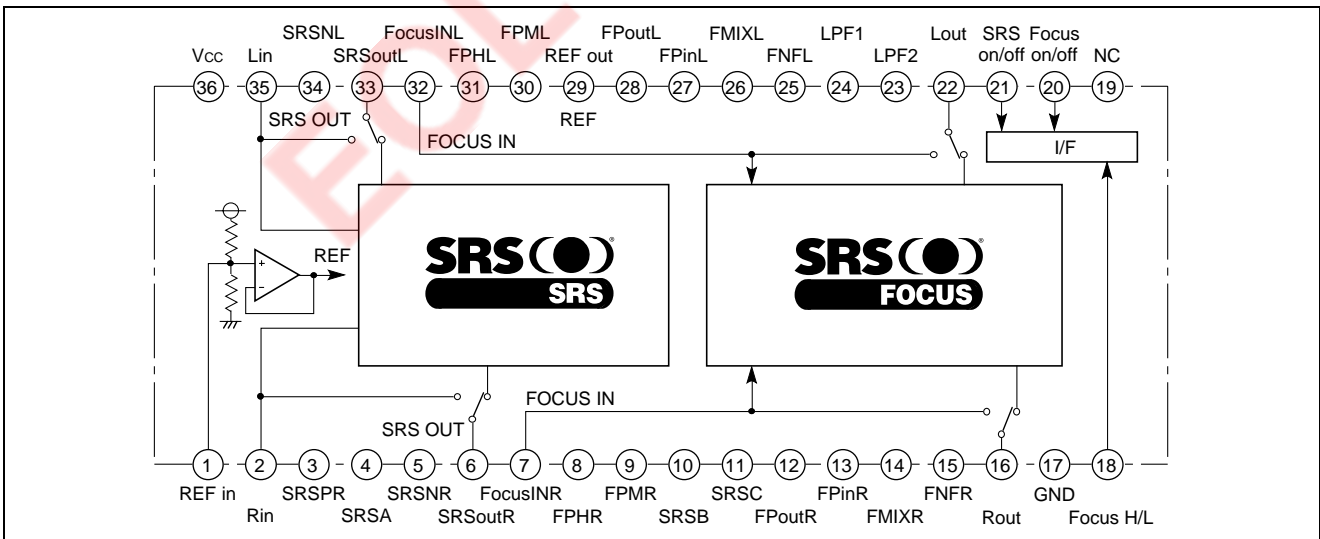
System Block Diagram



Pin Configuration Diagram (Top View)



Internal Block Diagram



Pin Description

Pin No.	Symbol	Function
1	REF in	REF input
2	Rin	Right channel input
3	SRSPR	Right channel SRS output OP positive input
4	SRSA	SRS filter capacitor connection A
5	SRSNR	Right channel SRS output OP negative input
6	SRSoutR	Right channel SRS output
7	FocusINR	Right channel Focus input
8	FPHR	Right channel LF high input
9	FPMR	Right channel LF mid input
10	SRSB	SRS filter capacitor connection B
11	SRSC	SRS filter capacitor connection C
12	FPoutR	Right channel LF output
13	FPinR	Right channel HF input
14	FMIXR	Right channel LF HF mix
15	FNFR	Right channel Focus output
16	Rout	Right channel output
17	GND	Ground
18	LF Position H/L	LF position H/L setting
19	NC	NC
20	Focus on/off	Focus on/off setting
21	SRS on/off	SRS on/off setting
22	Lout	Left channel output
23	LPF2	Bass filter capacitor connection 2
24	LPF1	Bass filter capacitor connection 1
25	FNFL	Left channel Focus output
26	FMIXL	Left channel LF HF mix
27	FPinL	Left channel HF output
28	FPoutL	Left channel LF output
29	REF out	REF output
30	FPML	Left channel LF mid input
31	FPHL	Left channel LF high input
32	FocusINL	Left channel Focus input
33	SRSoutL	Left channel SRS output
34	SRSNL	Left channel SRS output OP negative input
35	Lin	Left channel input
36	Vcc	Power supply

Absolute Maximum Ratings

Item	Symbol	Ratings	Unit	Conditions
Power supply voltage	VCC	12.0	V	
Internal power consumption	Pd	960	mW	Ta≤25°C
Heat reduction ratio	Kθ	9.6	mW/°C	Ta>25°C
Ambient operating temperature	Topr	-20 to +75	°C	
Storage temperature	Tstg	-55 to +125	°C	

Electrical Characteristics

(Ta = 25°C, V_{CC} = 8 V, and f = 1 kHz unless otherwise noted.)

Item	Symbol	Limits			Unit	Test Conditions
		Min.	Typ.	Max.		
Power supply characteristics						
Circuit current	I _{CC}	—	22	45	mA	Pin 36 current, no signal
I/O characteristics (R13 = R16 = 390, R14 = R17 = 200, R15 = R18 = 390, R40 = R42 = 10 kΩ unless otherwise noted.)						
Maximum output voltage	VOMt	1.6	1.9	—	V _{rms}	Pins 2 and 35 input, pins 16 and 22 output R _L = 10 kΩ, THD = 1%
Maximum input voltage	VIM1	0.32	0.65	—	V _{rms}	Pins 2 and 35 input, pins 16 and 22 output SRS: on, Focus: off, THD = 1% f = 150HMz
	VIM2	0.25	0.5	—	V _{rms}	Pins 2 and 35 input, pins 16 and 22 output f = 1kHMz
	VIM3	0.2	0.4	—	V _{rms}	Pins 2 and 35 input, pins 16 and 22 output SRS: on Focus: Position "H" on THD = 1% f = 20kHMz
Pass-through gain	Gvt	-2.0	0	2.0	dB	V _i = 100 mV _{rms} , SRS: off, Focus: off Gain between pins 2 and 35 and pins 16 and 22
	Gv1	7	10	13	dB	V _i = 100 mV _{rms} Pins 2 and 35 input, pins 16 and 22 output SRS: on, Focus: off f = 150HMz
	Gv2	10	13	16	dB	V _i = 100 mV _{rms} SRS: on f = 1kHMz
	Gv3	12	15	18	dB	SRS: on Focus: Position "H" on Gain between pins 2 and 35 and pins 16 and 22 f = 20kHMz
Output noise voltage	VNO1	—	5.0	15	μV _{rms}	R _g = 0 (pins 2 and 35), SRS: off, Focus: off DIN-audio filter
	VNO2	—	18	40	μV _{rms}	R _g = 0 (pins 2 and 35), SRS: on, Focus: off DIN-audio filter
	VNO3	—	50	90	μV _{rms}	R _g = 0 (pins 2 and 35) SRS: on, Focus: Position "H" on DIN-audio filter
Crosstalk between channels	CT	—	-90	-75	dB	Input side: f = 1 kHz, V _i = 0.5 V _{rms} Measurement side: R _g = 0, JIS-A filter Focus and SRS: off, R _L = 10 kΩ
Switch Block Characteristics						
High level input voltage	VIH	2.1	~	V _{CC}	V	Pins 18, 20, 21
Low level input voltage	VIL	0	~	0.8	V	Pins 18, 20, 21

Switch Settings

Pin 21 SRS Surround	SRS On/Off Switch
SRS ON	H
SRS OFF	L

Pin 19 Focus Position	Focus H/L Switch
Focus Position "H"	H
Focus Position "L"	L

Pin 20 Focus	Focus On/Off Switch
FOCUS ON	H
FOCUS OFF	L

Note: The bypass mode can be selected by setting the SRS on/off switch and Focus on/off switch to "L".

External Resistors

The midrange through high-range gain of the Focus circuit of the M62436FP can be specified using an externally connected resistor.

The midrange through high-range gain is set by the resistance division value between the 0.22 μF connected to pin 7 and REF. The M62436FP allows the user-specified gain to be set to high or low by switching the Focus position H/L setting of pin 18. The recommended resistance value settings are listed below.

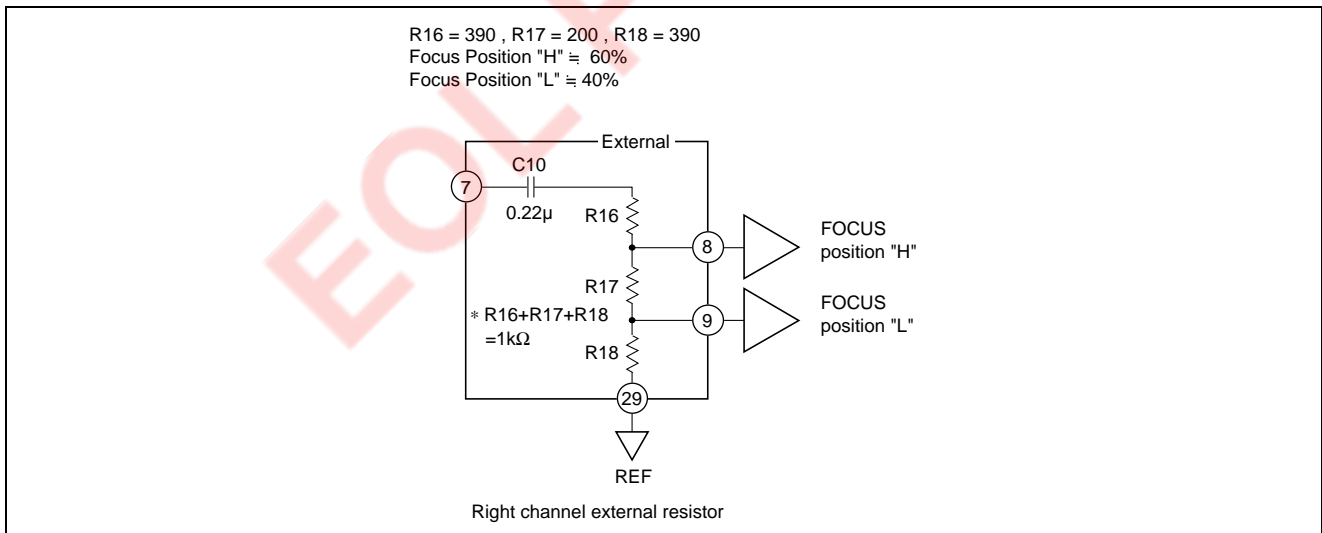
1. Focus Position "H" Setting

$$\frac{R17+R18}{R16+R17+R18} \text{ setting possible}$$

2. Focus Position "L" Setting

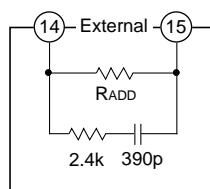
$$\frac{R18}{R16+R17+R18} \text{ setting possible}$$

Recommended Setting Values



- Notes 1. The left channel setting pins 7, 8, and 9 correspond to pins 32, 31, and 30.
- 2. Settings should be made so that R16 + R17 + R18 = 1 kΩ.

The effect (full-range gain) of the Focus circuit of the M62436FP can be reduced using an externally connected resistor.



Focus gain setting external resistor

The Focus gain can be reduced by connecting resistors between pins 14 and 15 and between pins 25 and 26. This has the effect of improving the maximum input voltage (and the output noise voltage) characteristics. However, there is a limitation on the maximum input voltage ($V_I = 0.6 V_{rms}$) due to the SRS sound block gain at $f = 150 \text{ Hz}$.

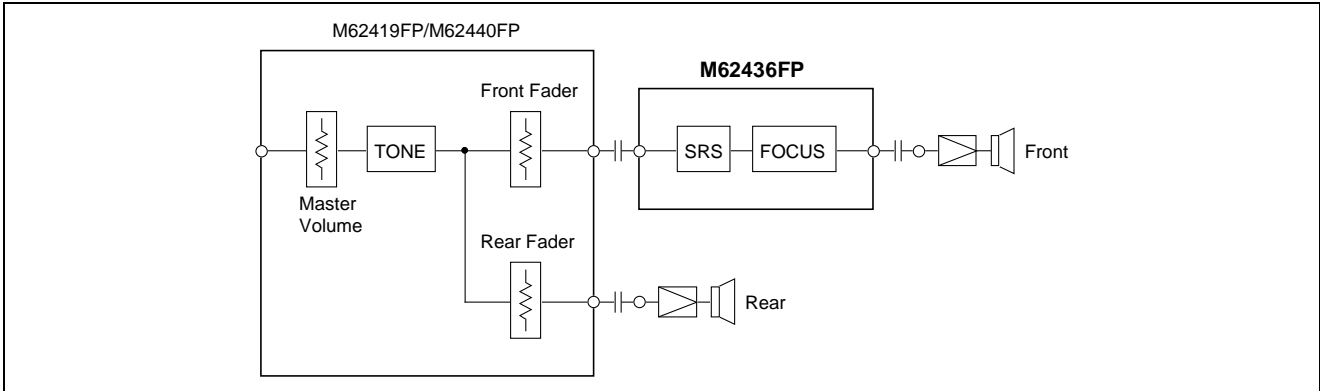
Reference

Note: $T_a = 25^\circ\text{C}$, $f = 1 \text{ kHz}$, $R_{13} = R_{16} = 390$, $R_{14} = R_{17} = 200$, $R_{15} = R_{18} = 390$, resistance between pins 14 and 15 and between pins 25 and 26 = $10 \text{ k}\Omega$ unless otherwise noted.)

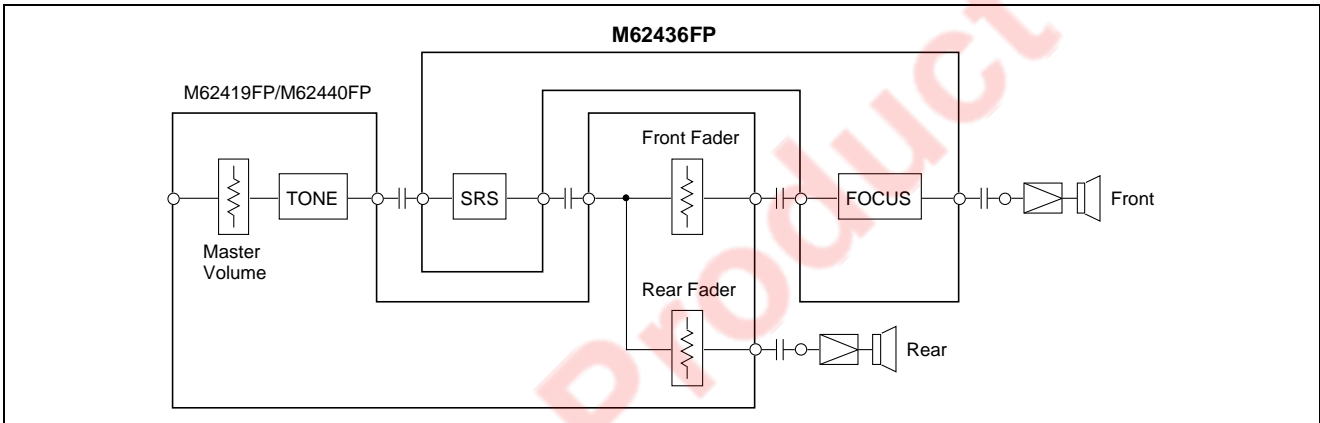
Item	Symbol	Typical Value	Unit	Test Conditions
Maximum output voltage	VOMt	1.9	Vrms	Pins 2 and 35 input, pins 16 and 22 output $R_L = 10 \text{ k}\Omega$, THD = 1%
Maximum input voltage	VIM1	0.65	Vrms	Pins 2 and 35 input, pins 16 and 22 output SRS: on, Focus: off, THD = 1%
	VIM2	0.85	Vrms	Pins 2 and 35 input, pins 16 and 22 output $f = 1 \text{ kHz}$
	VIM3	0.67	Vrms	Pins 2 and 35 input, pins 16 and 22 output $f = 20 \text{ kHz}$ SRS: on Focus: Position "H" on THD = 1%
Pass-through gain	Gvt	0	dB	$V_i = 100 \text{ mVrms}$, SRS: off, Focus: off Gain between pins 2 and 35 and pins 16 and 22
	Gv1	10	dB	$V_i = 100 \text{ mVrms}$ Pins 2 and 35 input, pins 16 and 22 output SRS: on, Focus: off $f = 150 \text{ Hz}$
	Gv2	7	dB	$V_i = 100 \text{ mVrms}$ SRS: on $f = 1 \text{ kHz}$
	Gv3	9	dB	SRS: on Focus: Position "H" on Gain between pins 2 and 35 and pins 16 and 22 $f = 20 \text{ kHz}$
Output noise voltage	VNO1	5	μVrms	$R_g = 0$ (pins 2 and 35), SRS: off, Focus: off DIN-audio filter
	VNO2	18	μVrms	$R_g = 0$ (pins 2 and 35), SRS: on, Focus: off DIN-audio filter
	VNO3	30	μVrms	$R_g = 0$ (pins 2 and 35) SRS: on, Focus: Position "H" on DIN-audio filter
Crosstalk between channels	CT	-90	dB	Input side: $f = 1 \text{ kHz}$, $V_i = 0.5 V_{rms}$ Measurement side: $R_g = 0$, JIS-A filter Focus and SRS: off, $R_L = 10 \text{ k}\Omega$

Sample System Circuit (Only One Channel Shown)

1. SRS Active for Front Speaker Only

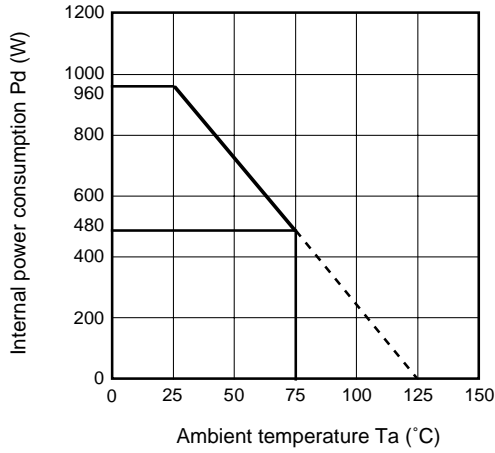


2. SRS Active for Front and Rear Speakers (Focus Active for Front Speaker Only)

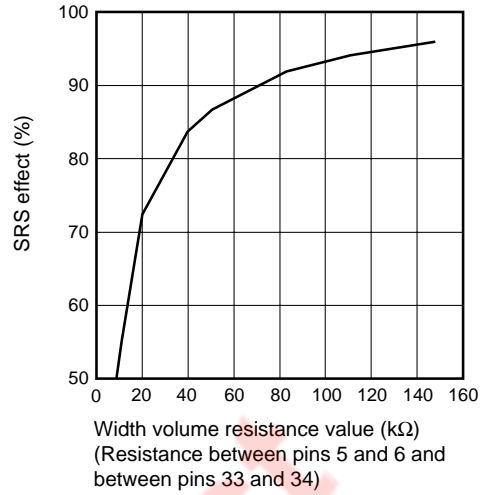


Characteristic Curves

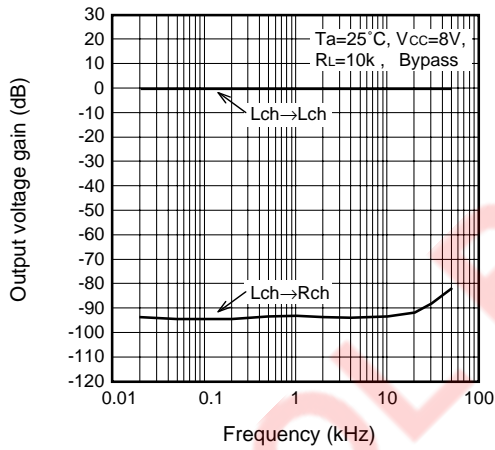
Heat Reduction Curve (Maximum Rating)



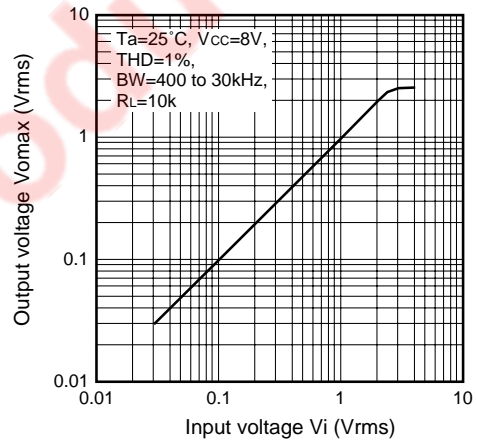
Width Volume Resistance Value-SRS Effect



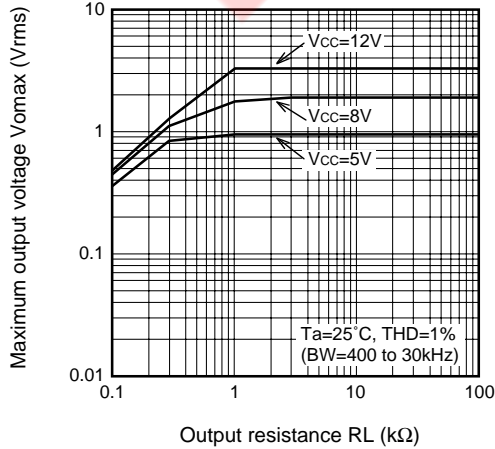
Frequency-Output Voltage Gain



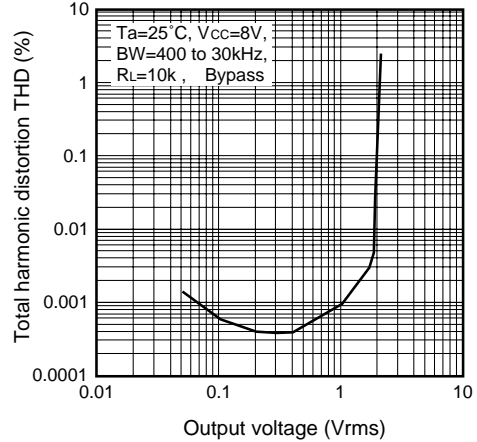
Input Voltage-Maximum Output Voltage

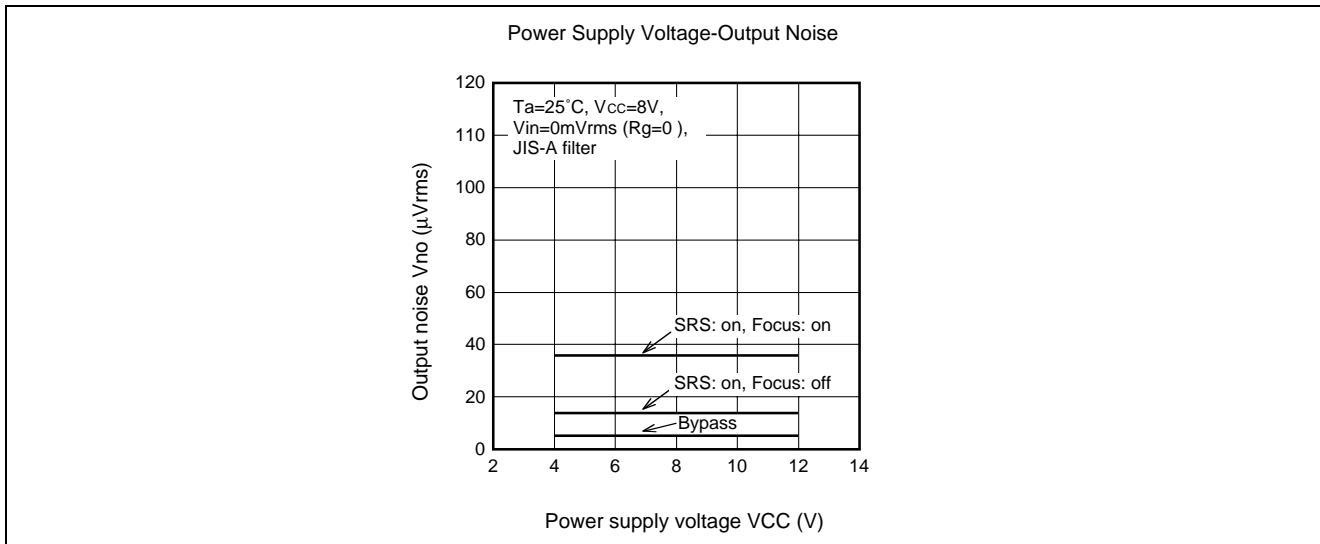


Maximum Output Voltage-Output Resistance



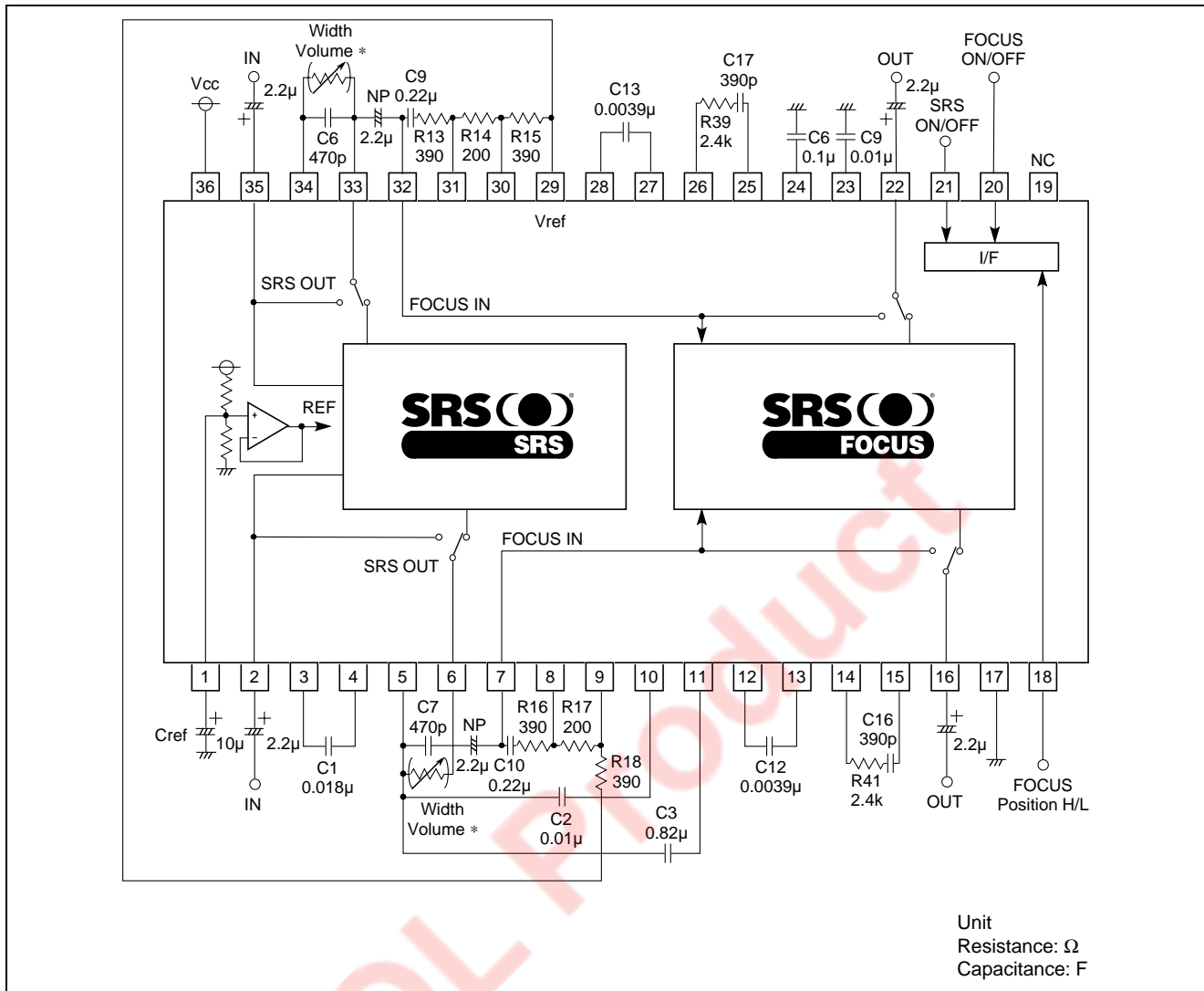
Output Voltage-Total Harmonic Distortion





EOL Product

Application Example



- * The SRS stereo effect can be reduced by connecting resistors (width volume) between pins 5 and 6 and between pins 33 and 34. However, the resistance value connected between pins 5 and 6 and between pins 33 and 34 should be the same.

Usage Notes

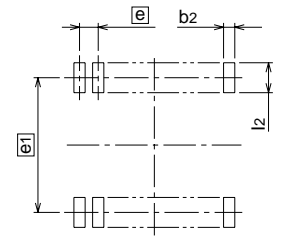
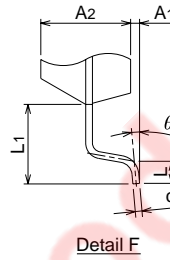
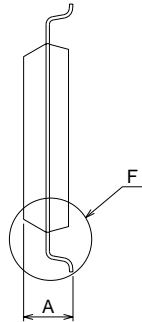
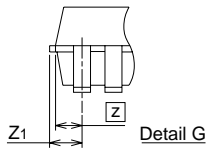
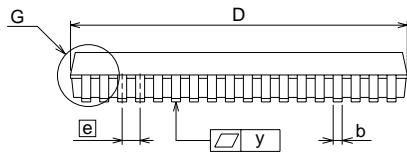
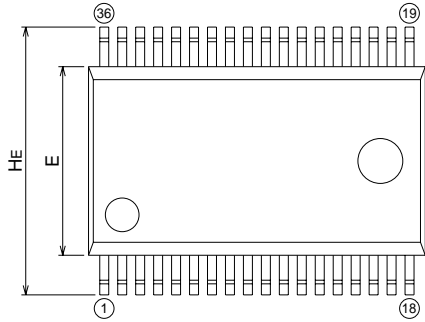
No measures have been taken to prevent switching noise when the M62436FP's control switches (SRS on/off, Focus on/off, and Focus Position H/L) are operated. Therefore several tens of mV of switching noise may be generated. It is therefore recommended that external muting be applied to the output from the M62436FP when operating the switches. In addition, it is recommended that external muting be applied at power-on until all the necessary data has been written by the microprocessor.

Package Dimensions

36P2R-A

EIAJ Package Code	JEDEC Code	Weight(g)	Lead Material
SSOP36-P-450-0.80	⌀	0.53	Alloy 42

Plastic 36pin 450mil SSOP



Recommended Mount Pad

Symbol	Dimension in Millimeters		
	Min	Nom	Max
A	⌀	⌀	2.4
A1	0.05	⌀	⌀
A2	⌀	2.0	⌀
b	0.35	0.4	0.5
c	0.13	0.15	0.2
D	14.8	15.0	15.2
E	8.2	8.4	8.6
e	⌀	0.8	⌀
HE	11.63	11.93	12.23
L	0.3	0.5	0.7
L1	⌀	1.765	⌀
Z	⌀	0.7	⌀
Z1	⌀	⌀	0.85
y	⌀	⌀	0.15
theta	0Y	⌀	10Y
b2	⌀	0.5	⌀
e1	⌀	11.43	⌀
l2	1.27	⌀	⌀

EOL PRODUCT

Renesas Technology Corp. Sales Strategic Planning Div. Nippon Bldg., 2-6-2, Ohte-machi, Chiyoda-ku, Tokyo 100-0004, Japan

Keep safety first in your circuit designs!

1. Renesas Technology Corp. puts the maximum effort into making semiconductor products better and more reliable, but there is always the possibility that trouble may occur with them. Trouble with semiconductors may lead to personal injury, fire or property damage.
Remember to give due consideration to safety when making your circuit designs, with appropriate measures such as (i) placement of substitutive, auxiliary circuits, (ii) use of nonflammable material or (iii) prevention against any malfunction or mishap.

Notes regarding these materials

1. These materials are intended as a reference to assist our customers in the selection of the Renesas Technology Corp. product best suited to the customer's application; they do not convey any license under any intellectual property rights, or any other rights, belonging to Renesas Technology Corp. or a third party.
 2. Renesas Technology Corp. assumes no responsibility for any damage, or infringement of any third-party's rights, originating in the use of any product data, diagrams, charts, programs, algorithms, or circuit application examples contained in these materials.
 3. All information contained in these materials, including product data, diagrams, charts, programs and algorithms represents information on products at the time of publication of these materials, and are subject to change by Renesas Technology Corp. without notice due to product improvements or other reasons. It is therefore recommended that customers contact Renesas Technology Corp. or an authorized Renesas Technology Corp. product distributor for the latest product information before purchasing a product listed herein.
The information described here may contain technical inaccuracies or typographical errors.
Renesas Technology Corp. assumes no responsibility for any damage, liability, or other loss rising from these inaccuracies or errors.
Please also pay attention to information published by Renesas Technology Corp. by various means, including the Renesas Technology Corp. Semiconductor home page (<http://www.renesas.com>).
 4. When using any or all of the information contained in these materials, including product data, diagrams, charts, programs, and algorithms, please be sure to evaluate all information as a total system before making a final decision on the applicability of the information and products. Renesas Technology Corp. assumes no responsibility for any damage, liability or other loss resulting from the information contained herein.
 5. Renesas Technology Corp. semiconductors are not designed or manufactured for use in a device or system that is used under circumstances in which human life is potentially at stake. Please contact Renesas Technology Corp. or an authorized Renesas Technology Corp. product distributor when considering the use of a product contained herein for any specific purposes, such as apparatus or systems for transportation, vehicular, medical, aerospace, nuclear, or undersea repeater use.
 6. The prior written approval of Renesas Technology Corp. is necessary to reprint or reproduce in whole or in part these materials.
 7. If these products or technologies are subject to the Japanese export control restrictions, they must be exported under a license from the Japanese government and cannot be imported into a country other than the approved destination.
Any diversion or reexport contrary to the export control laws and regulations of Japan and/or the country of destination is prohibited.
 8. Please contact Renesas Technology Corp. for further details on these materials or the products contained therein.
-



RENESAS SALES OFFICES

<http://www.renesas.com>

Renesas Technology America, Inc.
450 Holger Way, San Jose, CA 95134-1368, U.S.A
Tel: <1> (408) 382-7500 Fax: <1> (408) 382-7501

Renesas Technology Europe Limited.
Dukes Meadow, Millboard Road, Bourne End, Buckinghamshire, SL8 5FH, United Kingdom
Tel: <44> (1628) 585 100, Fax: <44> (1628) 585 900

Renesas Technology Europe GmbH
Dornacher Str. 3, D-85622 Feldkirchen, Germany
Tel: <49> (89) 380 70 0, Fax: <49> (89) 929 30 11

Renesas Technology Hong Kong Ltd.
7/F., North Tower, World Finance Centre, Harbour City, Canton Road, Hong Kong
Tel: <852> 2265-6688, Fax: <852> 2375-6836

Renesas Technology Taiwan Co., Ltd.
FL 10, #99, Fu-Hsing N. Rd., Taipei, Taiwan
Tel: <886> (2) 2715-2888, Fax: <886> (2) 2713-2999

Renesas Technology (Shanghai) Co., Ltd.
26/F., Ruijin Building, No.205 Maoming Road (S), Shanghai 200020, China
Tel: <86> (21) 6472-1001, Fax: <86> (21) 6415-2952

Renesas Technology Singapore Pte. Ltd.
1, Harbour Front Avenue, #06-10, Keppel Bay Tower, Singapore 098632
Tel: <65> 6213-0200, Fax: <65> 6278-8001