

To our customers,

---

## Old Company Name in Catalogs and Other Documents

---

On April 1<sup>st</sup>, 2010, NEC Electronics Corporation merged with Renesas Technology Corporation, and Renesas Electronics Corporation took over all the business of both companies. Therefore, although the old company name remains in this document, it is a valid Renesas Electronics document. We appreciate your understanding.

Renesas Electronics website: <http://www.renesas.com>

April 1<sup>st</sup>, 2010  
Renesas Electronics Corporation

Issued by: Renesas Electronics Corporation (<http://www.renesas.com>)

Send any inquiries to <http://www.renesas.com/inquiry>.

## Notice

1. All information included in this document is current as of the date this document is issued. Such information, however, is subject to change without any prior notice. Before purchasing or using any Renesas Electronics products listed herein, please confirm the latest product information with a Renesas Electronics sales office. Also, please pay regular and careful attention to additional and different information to be disclosed by Renesas Electronics such as that disclosed through our website.
2. Renesas Electronics does not assume any liability for infringement of patents, copyrights, or other intellectual property rights of third parties by or arising from the use of Renesas Electronics products or technical information described in this document. No license, express, implied or otherwise, is granted hereby under any patents, copyrights or other intellectual property rights of Renesas Electronics or others.
3. You should not alter, modify, copy, or otherwise misappropriate any Renesas Electronics product, whether in whole or in part.
4. Descriptions of circuits, software and other related information in this document are provided only to illustrate the operation of semiconductor products and application examples. You are fully responsible for the incorporation of these circuits, software, and information in the design of your equipment. Renesas Electronics assumes no responsibility for any losses incurred by you or third parties arising from the use of these circuits, software, or information.
5. When exporting the products or technology described in this document, you should comply with the applicable export control laws and regulations and follow the procedures required by such laws and regulations. You should not use Renesas Electronics products or the technology described in this document for any purpose relating to military applications or use by the military, including but not limited to the development of weapons of mass destruction. Renesas Electronics products and technology may not be used for or incorporated into any products or systems whose manufacture, use, or sale is prohibited under any applicable domestic or foreign laws or regulations.
6. Renesas Electronics has used reasonable care in preparing the information included in this document, but Renesas Electronics does not warrant that such information is error free. Renesas Electronics assumes no liability whatsoever for any damages incurred by you resulting from errors in or omissions from the information included herein.
7. Renesas Electronics products are classified according to the following three quality grades: “Standard”, “High Quality”, and “Specific”. The recommended applications for each Renesas Electronics product depends on the product’s quality grade, as indicated below. You must check the quality grade of each Renesas Electronics product before using it in a particular application. You may not use any Renesas Electronics product for any application categorized as “Specific” without the prior written consent of Renesas Electronics. Further, you may not use any Renesas Electronics product for any application for which it is not intended without the prior written consent of Renesas Electronics. Renesas Electronics shall not be in any way liable for any damages or losses incurred by you or third parties arising from the use of any Renesas Electronics product for an application categorized as “Specific” or for which the product is not intended where you have failed to obtain the prior written consent of Renesas Electronics. The quality grade of each Renesas Electronics product is “Standard” unless otherwise expressly specified in a Renesas Electronics data sheets or data books, etc.
  - “Standard”: Computers; office equipment; communications equipment; test and measurement equipment; audio and visual equipment; home electronic appliances; machine tools; personal electronic equipment; and industrial robots.
  - “High Quality”: Transportation equipment (automobiles, trains, ships, etc.); traffic control systems; anti-disaster systems; anti-crime systems; safety equipment; and medical equipment not specifically designed for life support.
  - “Specific”: Aircraft; aerospace equipment; submersible repeaters; nuclear reactor control systems; medical equipment or systems for life support (e.g. artificial life support devices or systems), surgical implantations, or healthcare intervention (e.g. excision, etc.), and any other applications or purposes that pose a direct threat to human life.
8. You should use the Renesas Electronics products described in this document within the range specified by Renesas Electronics, especially with respect to the maximum rating, operating supply voltage range, movement power voltage range, heat radiation characteristics, installation and other product characteristics. Renesas Electronics shall have no liability for malfunctions or damages arising out of the use of Renesas Electronics products beyond such specified ranges.
9. Although Renesas Electronics endeavors to improve the quality and reliability of its products, semiconductor products have specific characteristics such as the occurrence of failure at a certain rate and malfunctions under certain use conditions. Further, Renesas Electronics products are not subject to radiation resistance design. Please be sure to implement safety measures to guard them against the possibility of physical injury, and injury or damage caused by fire in the event of the failure of a Renesas Electronics product, such as safety design for hardware and software including but not limited to redundancy, fire control and malfunction prevention, appropriate treatment for aging degradation or any other appropriate measures. Because the evaluation of microcomputer software alone is very difficult, please evaluate the safety of the final products or system manufactured by you.
10. Please contact a Renesas Electronics sales office for details as to environmental matters such as the environmental compatibility of each Renesas Electronics product. Please use Renesas Electronics products in compliance with all applicable laws and regulations that regulate the inclusion or use of controlled substances, including without limitation, the EU RoHS Directive. Renesas Electronics assumes no liability for damages or losses occurring as a result of your noncompliance with applicable laws and regulations.
11. This document may not be reproduced or duplicated, in any form, in whole or in part, without prior written consent of Renesas Electronics.
12. Please contact a Renesas Electronics sales office if you have any questions regarding the information contained in this document or Renesas Electronics products, or if you have any other inquiries.

(Note 1) “Renesas Electronics” as used in this document means Renesas Electronics Corporation and also includes its majority-owned subsidiaries.

(Note 2) “Renesas Electronics product(s)” means any product developed or manufactured by or for Renesas Electronics.

---

# M61556FP

## 100 W 1-Channel Amplifier Predriver

REJ03F0089-0100Z

Rev.1.0

Sep.19.2003

---

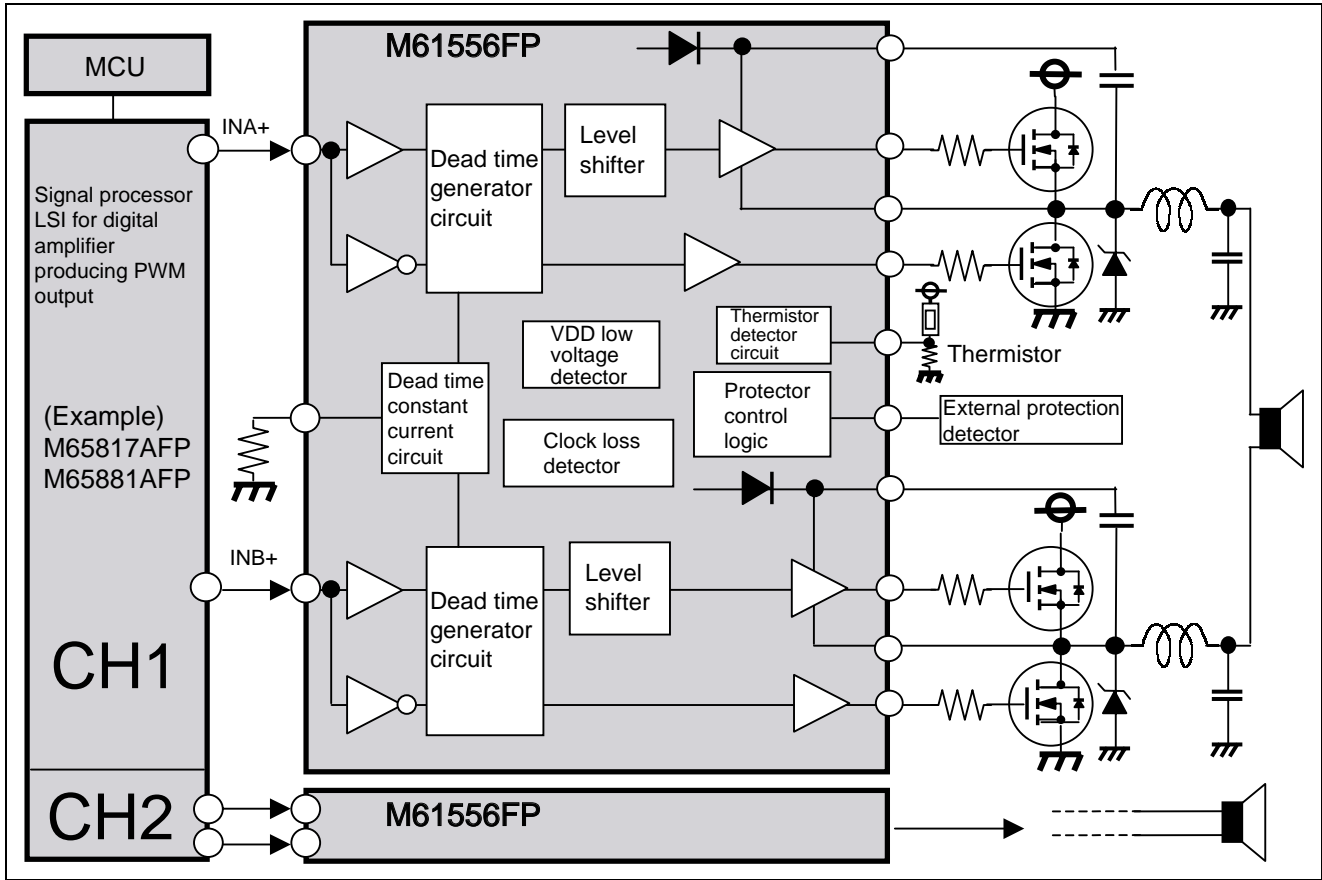
### Description

The M61556FP is a predriver IC developed for use as the output driver of a digital audio power amplifier. It can be combined with an N-channel MOSFET to create a 100 W, 1-channel (8 $\Omega$  load) digital amplifier. (The 200 W version, the M61557FP, is pin compatible with the M61556FP.)

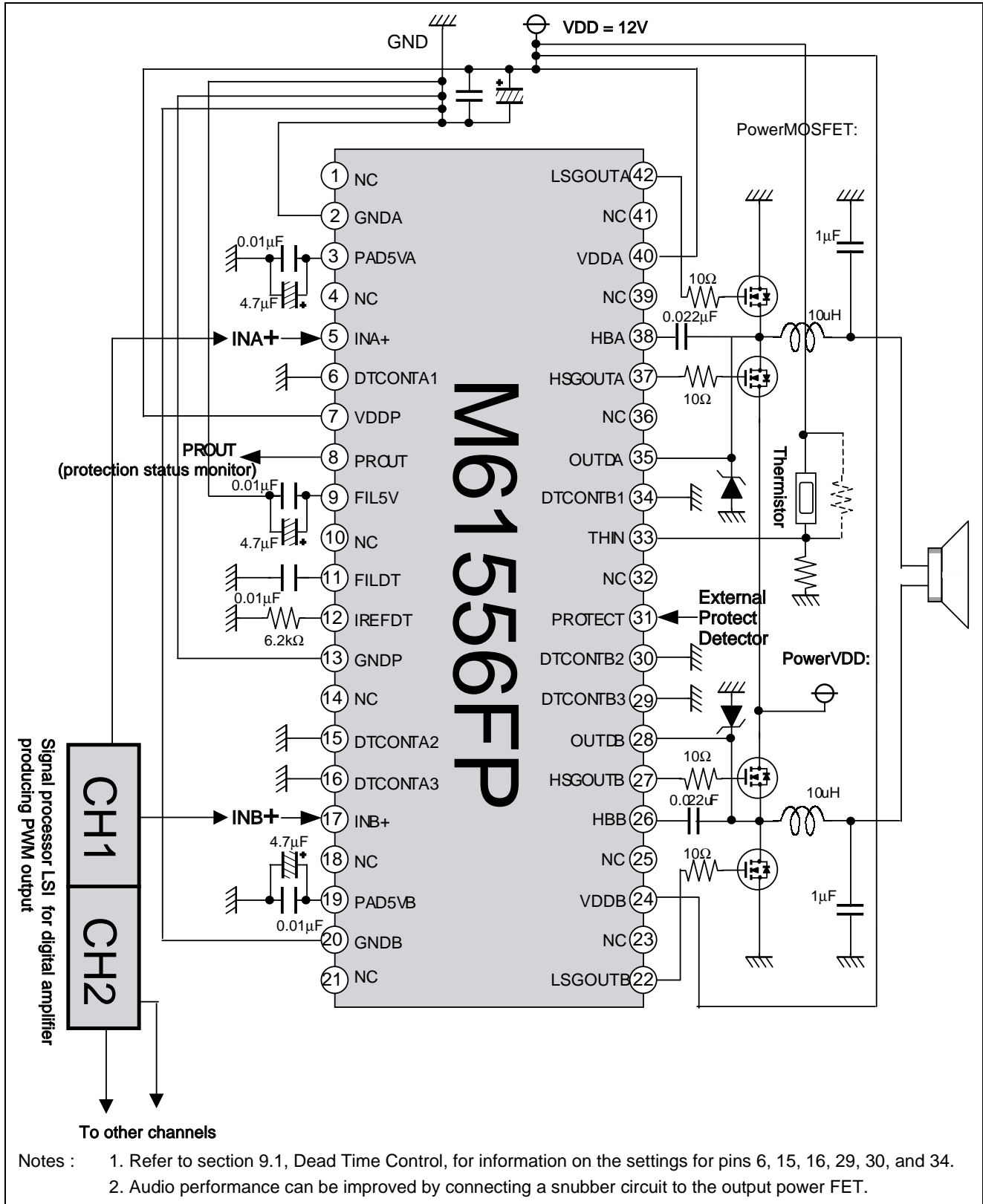
### Features

- On-chip dead time adjustment circuit: Supports easy adjustment by connecting a single resistor. (H-L dead time can be fine adjusted independently for sides A and B.)
- Suitable for driving full-bridge N-channel MOSFET devices.
- Maximum bootstrap supply voltage: 88 V (peak value)
- Supports high-speed switching.
- On-chip diode for bootstrap circuit.
- On-chip VDD low voltage detector circuit.
- On-chip clock loss detector circuit.
- Output impedance: 2.5  $\Omega$
- Input is TTL level, allowing connecting to 3.3 V or 5 V processors.

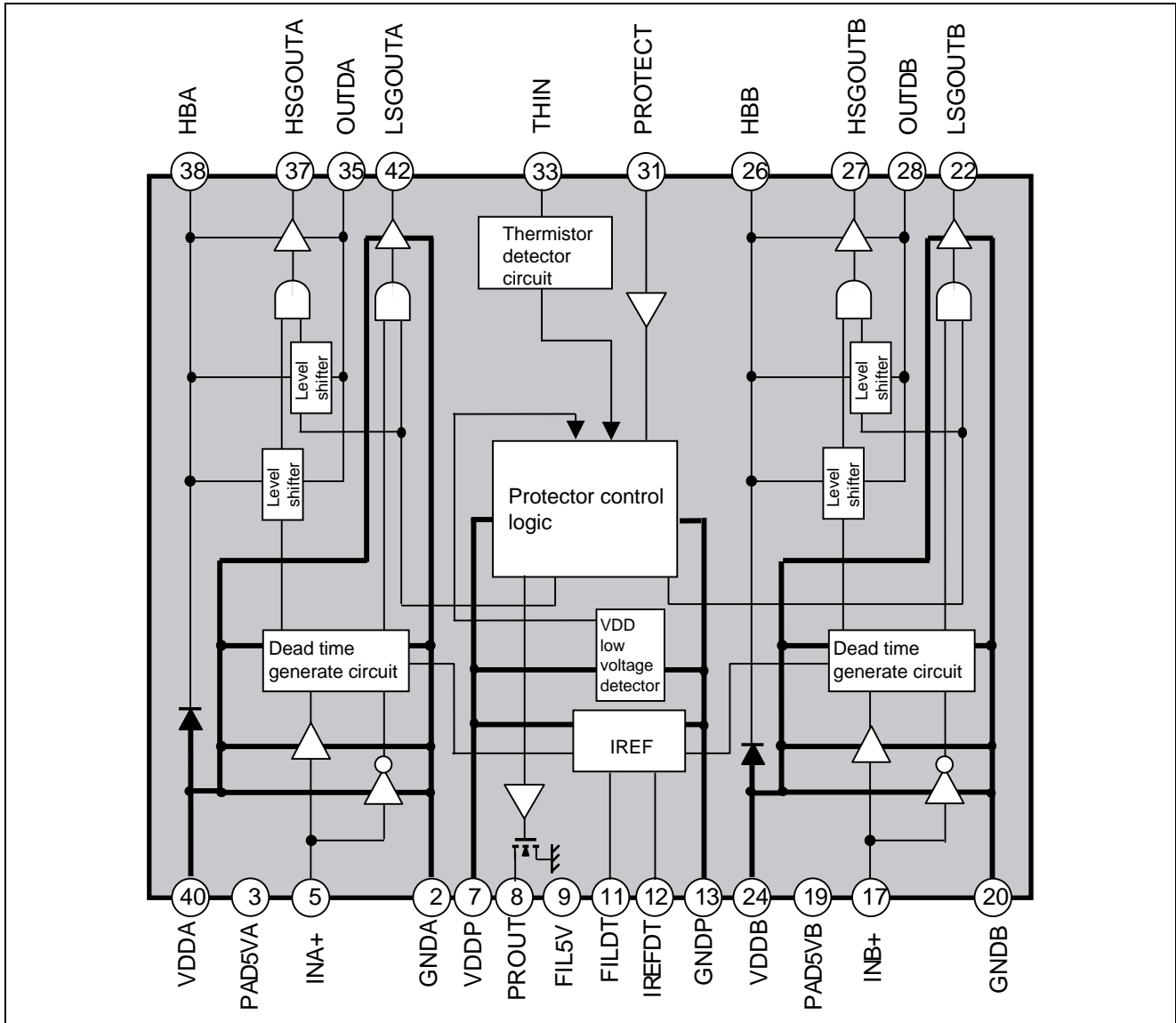
System Block Diagram (Stereo Configuration)



Sample Application Circuit



Block diagram



## Pin Descriptions

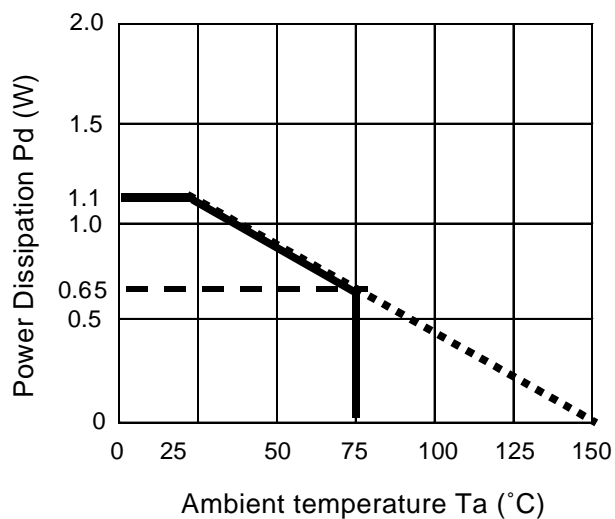
Pin No.	Pin Name	Pin Description	
Side-A control (pre) block	2	GNDA	Ground pin for side-A control circuit
	3	PADVA	Side-A filter pin for generating 5 V power supply on-chip
	5	INA+	Side-A PWM + input pin (high side)
	40	VDDA	Power supply pin for side-A control circuit
	42	LSGOUTA	Side-A low side prebuffer output
	35	OUTDA	Virtual VSS connector pin for side-A high side bootstrap capacitor
	37	HSGOUTA	Side-A high side prebuffer output
	38	HBA	Bootstrap capacitor connector pin power supply pin for side-A high side. Power is supplied to the high side control circuit from a bootstrap circuit.
	6	DTCONTA1	Pin 1 for adjusting dead time high/low differential
	15	DTCONTA2	Pin 2 for adjusting dead time high/low differential
16	DTCONTA3	Pin 3 for adjusting dead time high/low differential	
A/B common protection block	7	VDDP	Power supply pin for common circuit block
	8	RPOUT	Protection factor detect output pin. A low-level signal (when pull-up is applied) is output if protection factor is detected (open drain output).
	9	FIL5V	Filter pin for generating 5 V power supply on-chip
	11	FILDT	Filter pin for dead time circuit
	12	IREFDT	Connector pin for dead time adjustment resistor
	13	GNDP	Ground pin for common circuit block
	31	PROTECT	Input pin for external protection control signals
	33	THIN	Input pin for external thermistor circuit detect voltage
Side-B control (pre) block	17	INB+	Side-B PWM + input pin (high side)
	19	PAD5VB	Side-B filter pin for generating 5 V power supply on-chip
	20	GNDB	Ground pin for side-B control circuit
	26	HBB	Bootstrap capacitor connection pin power supply pin for side-B high side. Power is supplied to the high side control circuit from a bootstrap circuit.
	27	HSGOUTB	Side-B high side prebuffer output
	28	OUTDB	Virtual VSS connector pin for side-B high side bootstrap capacitor
	22	LSGOUTB	Side-B low side prebuffer output
	24	Vddb	Power supply pin for side-B control circuit
	34	DTCONTB1	Pin 1 for adjusting dead time high/low differential
	30	DTCONTB2	Pin 2 for adjusting dead time high/low differential
	29	DTCONTB3	Pin 3 for adjusting dead time high/low differential

## Absolute Maximum Ratings

Parameter	Symbol	Ratings	Units	Conditions
HBA, HBB	HBA, HBB	88*	V	HBA and HBB pin voltage
Maximum rated operating voltage				
Absolute maximum rated voltage	VDD	16	V	VDD power supply voltage
Input pin application voltage	V <sub>in</sub>	-0.3 to 5.5	V	
Internal power consumption	P <sub>d</sub>	1.1	W	
Junction temperature	T <sub>j</sub>	150	°C	
Operating temperature range	T <sub>a</sub>	-20 to +75	°C	
Storage temperature	T <sub>stg</sub>	-40 to +125	°C	

Note : \* HB pin values include peak values for ringing voltage, etc.

Derating Curve



### Recommended Operating Condition

Item	Symbol	Rated value			Unit	Condition
		Min.	Typ.	Max.		
Power supply voltage for common circuit and control circuit blocks	VDD	10.8	12	13.2	V	VDDA (pin 40), VDDB (pin 24) VDDP (pin 7)
High input voltage	VIH	2.2	—	5.3	V	INA+ (pin 5), INB+ (pin 17)
Low input voltage	VIL	-0.25	—	0.8	V	

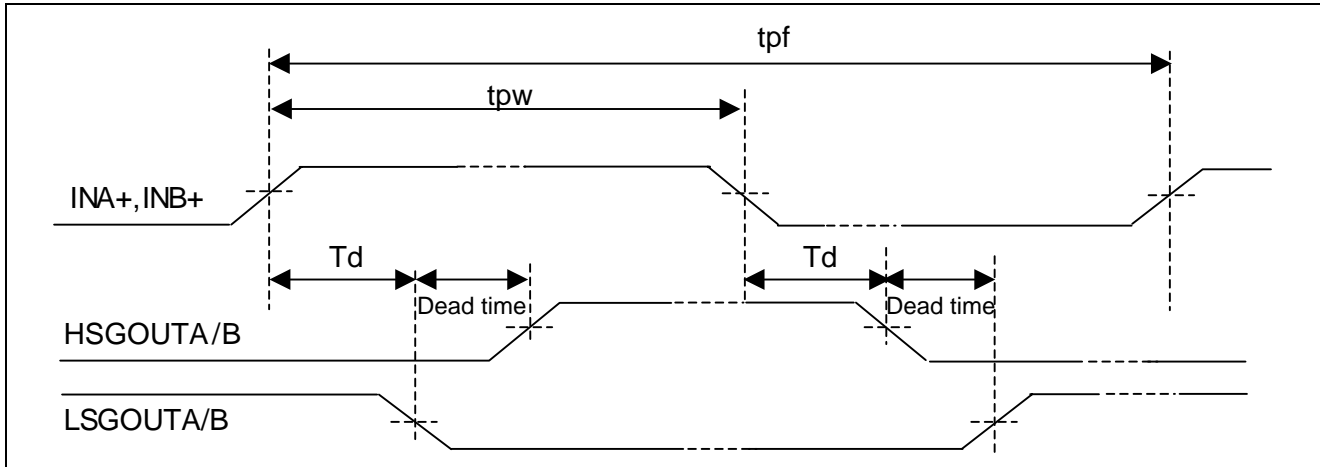


## Electrical characteristics

(Unless otherwise specified, Ta = 25°C, VDDP, VDDA, B = 12 V, VDA, B = 21 V)

Item	Symbol	Limits			Unit	Measuring Conditions
		Min.	Typ.	Max.		
Circuit current						
VDD circuit current	IDD (A, B)	—	5	TBD	mA	No input
	IDDF (A, B)	—	30	TBD	mA	During operation (f = 768 kHz, duty = 50%)
	IDDP	—	5	TBD	mA	No input
Input voltage						
High input voltage	VIH	2.2	—	—	V	
Low input voltage	VIL	—	—	0.8	V	
Low voltage detection						
VDD low voltage detect level	VDDR	TBD	7	TBD	V	Between VDD and GND
VDD detect hysteresis voltage	VDDH	TBD	0.5	TBD	V	Detection → Recovery
Thermistor voltage detection						
Thermistor voltage detect level	THR	TBD	6.0	TBD	V	THIN pin (pin 33)
Thermistor detect hysteresis voltage	THH	TBD	4.8	TBD	V	Detection → Recovery
Bootstrap diode						
Diode forward voltage	VFL	—	1.5	TBD	V	HB output current = 100μA
Diode forward voltage	VFH	—	2.0	TBD	V	HB output current = 100mA
Diode operating resistance	RDON	—	1.2	TBD	Ω	HB output current = 100mA
Low side gain driver						
High input voltage	VOLL	—	0.25	0.3	V	ILO = 100mA
Low input voltage	VOHL	—	0.25	0.3	V	ILO = -100mA, VOHL = VDD-VHO
Pull-up output current	IOHL	—	2	—	A	VLO = 0V
Pull-down output current	IOLL	—	2	—	A	VLO = 12V
High side gain driver						
High input voltage	VOLH	—	0.25	0.3	V	IHO = 100mA
Low input voltage	VOHH	—	0.25	0.3	V	IHO = -100mA, VOHH = VHB-VHO
Pull-up output current	IOHH	—	2	—	A	VHO = 0V
Pull-down output current	IOLH	—	2	—	A	VHO = 12V
Switching characteristics						
Output rise time	trc	—	TBD	—	ns	f = 500KHz, CL = 1000pF
Output fall time	tfc	—	TBD	—	ns	f = 500KHz, CL = 1000pF
Output rise time (3 V to 9 V)	tr	—	TBD	TBD	μs	f = 50KHz, CL = 0.1μF
Output fall time (9 V to 3 V)	tf	—	TBD	TBD	μs	f = 50KHz, CL = 0.1μF
Operation input frequency	1/tpf	TBD	768	TBD	KHz	
Minimum input pulse width	tpw	40	—	—	ns	Cycle = 1.3 μs (f = 768 kHz)

## I/O Timing



### Dead Time

To prevent the M61556FP from being destroyed by the shoot-through current from an external MOSFET device, dead time is provided between HSGOUTA and LSGOUTA as well as between HSGOUTB and LSGOUTB. Refer to the Dead Time Control section below for information on adjusting the dead time.

## Function

### Signal System

#### 1. Dead Time Control Settings

The dead time, which protects the M61556FP from being destroyed by the shoot-through current from an external MOSFET device, can be adjusted as desired by the user by adjusting the external resistor (R) connected to pin 12.

It is possible to adjust the dead times of the high and low sides by setting the dead time control pins of side-A and side-B to 0 V or 12 V. This makes it easy to tailor the dead time to account for minute variations due to circuit board layout and to match the characteristics of the connected MOSFET devices.

#### Relationship Between Pin 12 Resistor, Dead Time Setting, and Output Shoot-Through Current

Pin 12 Resistance Value	Small	← →	Large
Dead time setting	Short	← →	Long
Output stage shoot-through current	Large shoot-through current	← →	Small shoot-through current

Note: Dead time values are averages for the high and low sides.

## M61556FP

### Dead Time Control Pin and High/Low Dead Time Balance

DTCONT*1	DTCONT*2	DTCONT*3	High Side Dead Time	Low Side Dead Time
12V	0V	0V	Long	Short
12V	0V	12V	↑	↑
12V	12V	0V	↑	↑
12V	12V	12V	(INIT)	(INIT)
0V	0V	0V	INIT	INIT
0V	0V	12V	↓	↓
0V	12V	0V	↓	↓
0V	12V	12V	Short	Long

Note: The sums of the dead times for the high and low sides produced by the above adjustments are constant.

#### DTCONT Pin No. list

	Side-A	Side-B
DTCONT*1	Pin 6	Pin 34
DTCONT*2	Pin 15	Pin 30
DTCONT*3	Pin 16	Pin 29

("INIT" refers to the initial status with no setting made by the user.)

### Protection System

#### 2. VDD Low Voltage Detector Circuit

In order to prevent internal malfunctioning caused by abnormally low power supply voltage, the M61556FP is equipped with a VDD low voltage detector circuit that is triggered if a drop occurs on the VDD power supply voltage. When abnormally low voltage is detected, a low-level signal is output to the HSGOUTA and HSGOUTB pins and a high-level signal to the LSGOUTA and LSGOUTB pins, the Nch totem pole output is kept low, and a low-level signal, indicating a malfunction, is output to PROUT. (The VDD output circuit is connected to the common power supply VDDP pin (pin 7), so for VDDA and VDDB (pins 24 and 40) an external connection should be made to VDDP.)

#### 3. Clock Loss Detector Circuit

The major operation performed by the M61556FP is the input and output of PWM pulse waveforms, so protection is provided to ensure stable bootstrap operation in cases where no signal is input for a set period of time. In the protected state, a low-level signal is output to the HSGOUTA, HSGOUTB, LSGOUTA, and LSGOUTB pins, the high and low sides of the external Nch MOS FET are both turned off, and a low-level signal, indicating a malfunction, is output to PROUT.

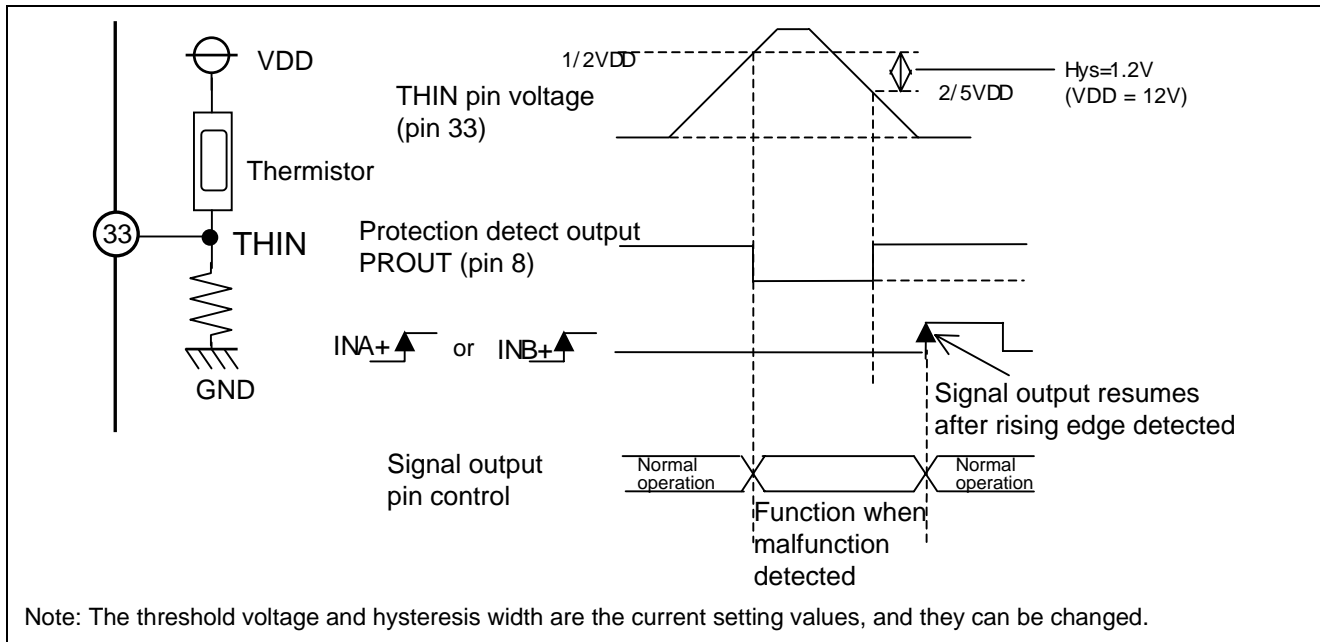
#### 4. External Protection Detect Signal Input Pin (PROTECT)\*

Pin 31 of the M61556FP is the external protection detect signal input pin (PROTECT). If a low-level signal is to pin 31, the on-chip logic circuitry causes a low-level signal to be output to the HSGOUTA, HSGOUTB, LSGOUTA, and LSGOUTB pins, the high and low sides of the external Nch MOS FET to both turn off, and a low-level signal, indicating under protection, to be output to PROUT.

#### 5. External Thermistor Circuit Detect Voltage Input Pin (THIN)

Pin 33 of the M61556FP is the external thermistor circuit detect voltage input pin (THIN). If the pin 33 voltage becomes one-half VDD or higher, through resistance division by the external thermistor and resistor, the on-chip logic circuitry causes a low-level signal to be output to the HSGOUTA, HSGOUTB, LSGOUTA, and LSGOUTB pins, the high and low sides of the external Nch MOS FET to both turn off, and a low-level signal, indicating a malfunction, to be output to PROUT.

## Overheating Detection Function Diagram



## Functions When Protection Detection Occurs

When protection detection occurs, a low-level signal is output to the HSGOUTA, HSGOUTB, LSGOUTA, and LSGOUTB pins, asynchronously to the PWM inputs (INA+, INA-, INB+, INB-), the high and low sides of the external Nch MOS FET are both turned off, and a low-level signal, indicating a malfunction, is output to PROUT. The PROUT output and signal output pins states when a malfunction is detected are listed in the table below.

Table of Signal Output Pin States During Protection Operation

	PROUT output when malfunction detected	PROTECT input pin	HSGOUTA/B	LSGOUTA/B	Power transistor output status
VDD low voltage protection	L	—	L	H	L
Clock loss detection	L	—	L	L	Hi-Z
External protection	L	L (*)	L	L	Hi-Z
Thermistor	L	—	L	L	Hi-Z

## Recovery from Protection Detection Status

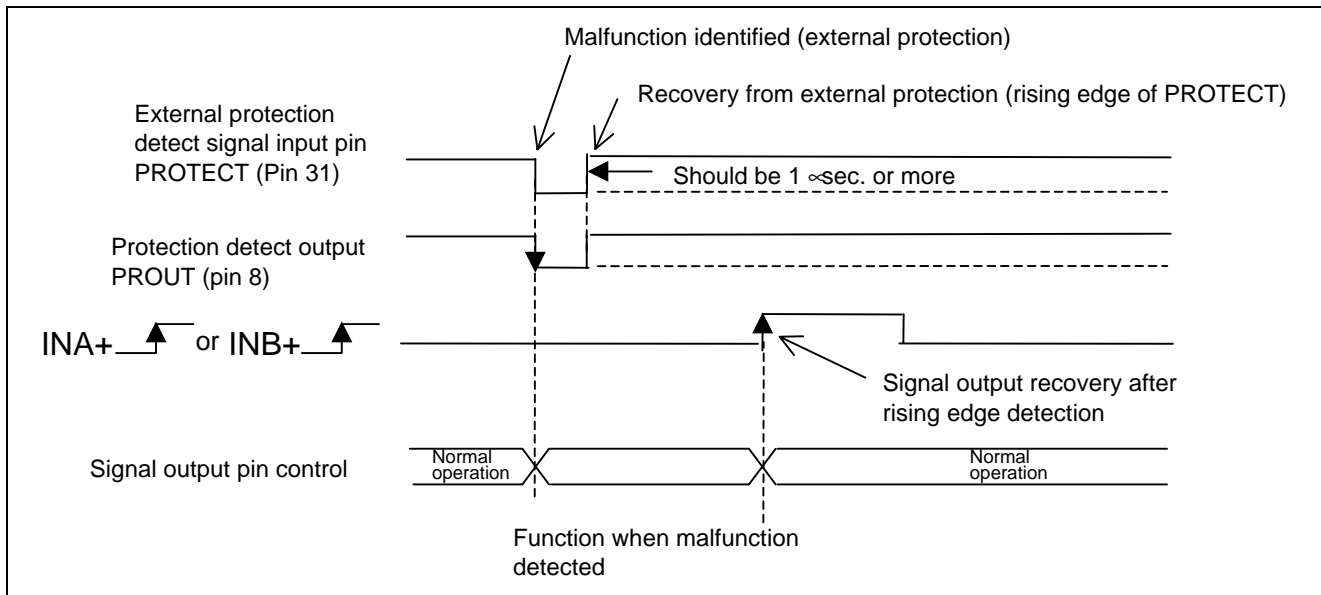
The manner in which recovery to signal output from protection detection status takes place varies depending on the protection circuit involved. Once the recovery conditions have been met, recovery takes place at the rising edge of INA+ or INB+ to high level, whichever is first. The recovery conditions for the different protection functions are listed in the table below.

Necessary Conditions for Recovery from Protection Detection Status

	<b>Recovery Conditions</b>
External protection*	PROTECT pin low: protection status, high: normal operation Recovery: After a rising edge from low to high is input to the PROTECT pin, normal operation resumes at the rising edge of the first signal. If a low-level signal is input to the PROTECT pin, the M61556FP is forced into protected status, regardless of the other modes.
Thermistor	After the overheating condition has been corrected and the THIN pin voltage drops to $(1/2 V_{DD} - 1.5) V$ , recovery to normal operation takes place at the rising edge of INA+ or INB+ to high level, whichever is first.
VDD low voltage detector	After the low voltage condition has been corrected and the on-chip VDD detect circuit determines that the voltage is normal, recovery to normal operation takes place at the rising edge of INA+ or INB+ to high level, whichever is first.
Clock loss detector	After the abnormal input condition has been corrected and the on-chip abnormal input detect circuit determines that the input is normal, recovery to normal operation takes place at the rising edge of INA+ or INB+ to high level, whichever is first.

\* Note that the high and low settings are the reverse of those in the old specifications.

**External Protection Detect Signal Input Pin PROTECT (Pin 31)/Protection Detect Output PROUT (Pin 9) Timing Diagram**

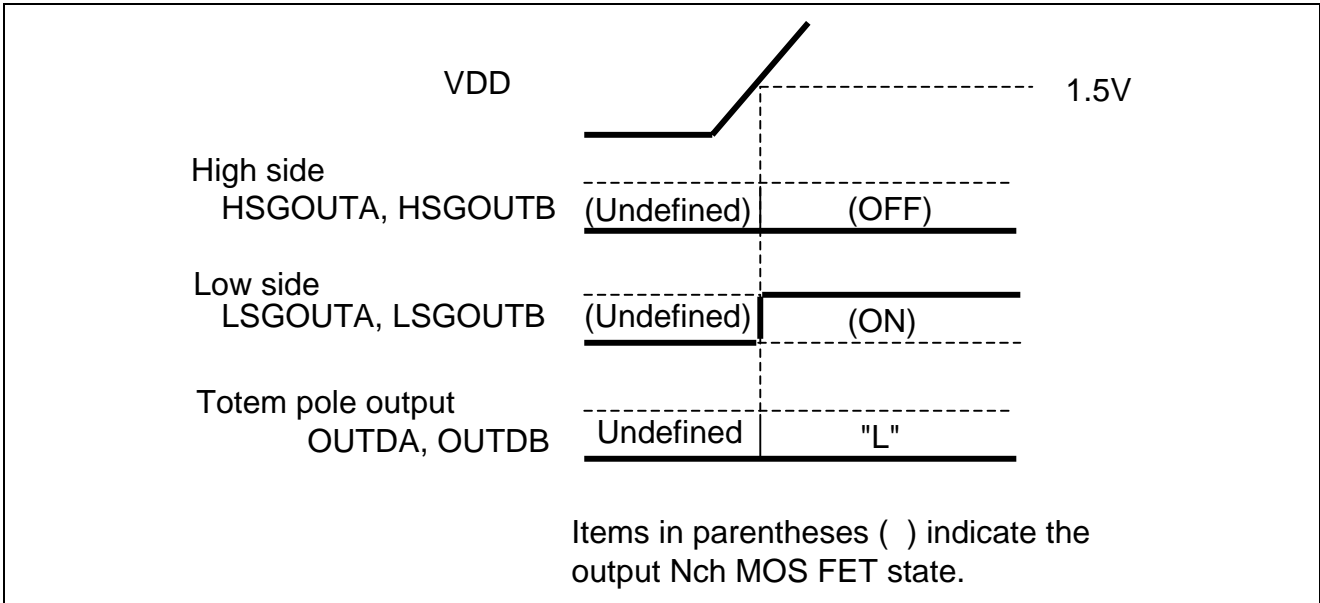


The above diagram shows the timing from the start of external protection control through recovery from protection status. With the other protection functions, recovery from protected status also occurs when the leading edge is detected, as in the diagram above.

**Functions at Power-On**

To prevent control malfunctions when the M61556FP is powered on, the logic circuitry determines when VDD has risen to approximately 1.5 V or higher and then outputs a low-level signal to HSGOUTA and HSGOUTB, outputs a high-level signal to LSGOUTA and LSGOUTB, and switches the Nch totem pole output to low-level. This charges the external bootstrap capacitor and ensures stable bootstrap operation.

Power-On Function Diagram



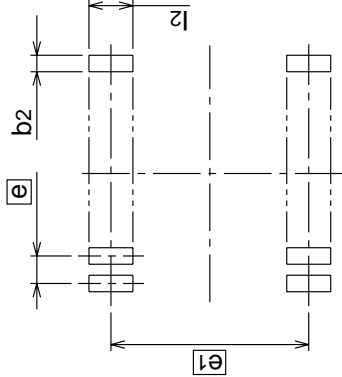
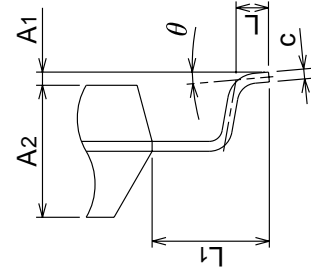
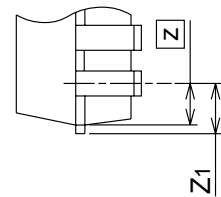
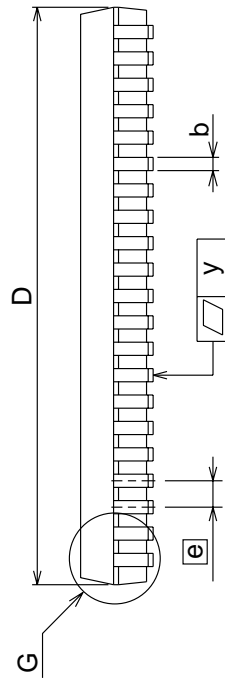
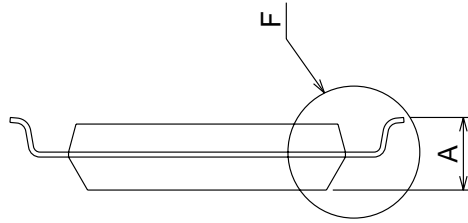
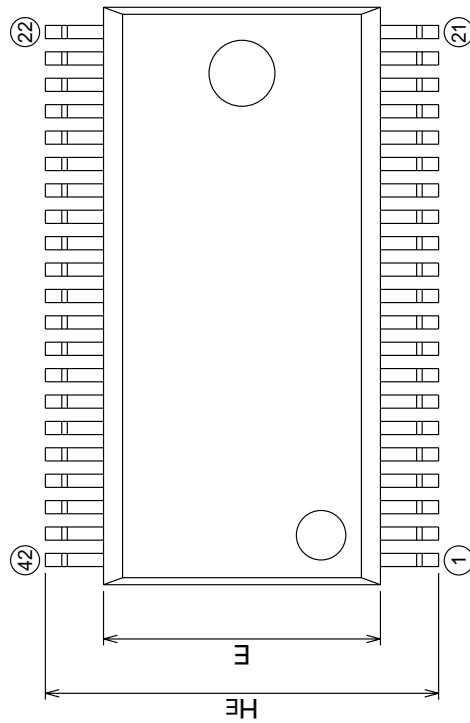
Package Dimensions

**42P2R-A**

(MMP)

**Plastic 42pin 450mil SSOP**

EIAJ Package Code SSOP42-P-450-0.80	JEDEC Code —	Weight(g) 0.63	Lead Material Alloy 42/Cu Alloy
--	-----------------	-------------------	------------------------------------



Recommended Mount Pad

Symbol	Dimension in Millimeters		
	Min	Nom	Max
A	—	—	2.4
A1	0.05	—	—
A2	—	2.0	—
b	0.35	0.4	0.5
c	0.13	0.15	0.2
D	17.3	17.5	17.7
E	8.2	8.4	8.6
e	—	0.8	—
HE	11.63	11.93	12.23
L	0.3	0.5	0.7
L1	—	1.765	—
Z	—	0.75	—
Z1	—	—	0.9
y	—	—	0.15
theta	0°	—	10°
b2	—	0.5	—
e1	—	11.43	—
l2	1.27	—	—

## Renesas Technology Corp. Sales Strategic Planning Div. Nippon Bldg., 2-6-2, Ohte-machi, Chiyoda-ku, Tokyo 100-0004, Japan

---

Keep safety first in your circuit designs!

1. Renesas Technology Corp. puts the maximum effort into making semiconductor products better and more reliable, but there is always the possibility that trouble may occur with them. Trouble with semiconductors may lead to personal injury, fire or property damage.  
Remember to give due consideration to safety when making your circuit designs, with appropriate measures such as (i) placement of substitutive, auxiliary circuits, (ii) use of nonflammable material or (iii) prevention against any malfunction or mishap.

Notes regarding these materials

1. These materials are intended as a reference to assist our customers in the selection of the Renesas Technology Corp. product best suited to the customer's application; they do not convey any license under any intellectual property rights, or any other rights, belonging to Renesas Technology Corp. or a third party.
  2. Renesas Technology Corp. assumes no responsibility for any damage, or infringement of any third-party's rights, originating in the use of any product data, diagrams, charts, programs, algorithms, or circuit application examples contained in these materials.
  3. All information contained in these materials, including product data, diagrams, charts, programs and algorithms represents information on products at the time of publication of these materials, and are subject to change by Renesas Technology Corp. without notice due to product improvements or other reasons. It is therefore recommended that customers contact Renesas Technology Corp. or an authorized Renesas Technology Corp. product distributor for the latest product information before purchasing a product listed herein.  
The information described here may contain technical inaccuracies or typographical errors.  
Renesas Technology Corp. assumes no responsibility for any damage, liability, or other loss rising from these inaccuracies or errors.  
Please also pay attention to information published by Renesas Technology Corp. by various means, including the Renesas Technology Corp. Semiconductor home page (<http://www.renesas.com>).
  4. When using any or all of the information contained in these materials, including product data, diagrams, charts, programs, and algorithms, please be sure to evaluate all information as a total system before making a final decision on the applicability of the information and products. Renesas Technology Corp. assumes no responsibility for any damage, liability or other loss resulting from the information contained herein.
  5. Renesas Technology Corp. semiconductors are not designed or manufactured for use in a device or system that is used under circumstances in which human life is potentially at stake. Please contact Renesas Technology Corp. or an authorized Renesas Technology Corp. product distributor when considering the use of a product contained herein for any specific purposes, such as apparatus or systems for transportation, vehicular, medical, aerospace, nuclear, or undersea repeater use.
  6. The prior written approval of Renesas Technology Corp. is necessary to reprint or reproduce in whole or in part these materials.
  7. If these products or technologies are subject to the Japanese export control restrictions, they must be exported under a license from the Japanese government and cannot be imported into a country other than the approved destination.  
Any diversion or reexport contrary to the export control laws and regulations of Japan and/or the country of destination is prohibited.
  8. Please contact Renesas Technology Corp. for further details on these materials or the products contained therein.
- 



### RENESAS SALES OFFICES

<http://www.renesas.com>

**Renesas Technology America, Inc.**  
450 Holger Way, San Jose, CA 95134-1368, U.S.A  
Tel: <1> (408) 382-7500 Fax: <1> (408) 382-7501

**Renesas Technology Europe Limited.**  
Dukes Meadow, Millboard Road, Bourne End, Buckinghamshire, SL8 5FH, United Kingdom  
Tel: <44> (1628) 585 100, Fax: <44> (1628) 585 900

**Renesas Technology Europe GmbH**  
Dornacher Str. 3, D-85622 Feldkirchen, Germany  
Tel: <49> (89) 380 70 0, Fax: <49> (89) 929 30 11

**Renesas Technology Hong Kong Ltd.**  
7/F., North Tower, World Finance Centre, Harbour City, Canton Road, Hong Kong  
Tel: <852> 2265-6688, Fax: <852> 2375-6836

**Renesas Technology Taiwan Co., Ltd.**  
FL 10, #99, Fu-Hsing N. Rd., Taipei, Taiwan  
Tel: <886> (2) 2715-2888, Fax: <886> (2) 2713-2999

**Renesas Technology (Shanghai) Co., Ltd.**  
26/F., Ruijin Building, No.205 Maoming Road (S), Shanghai 200020, China  
Tel: <86> (21) 6472-1001, Fax: <86> (21) 6415-2952

**Renesas Technology Singapore Pte. Ltd.**  
1, Harbour Front Avenue, #06-10, Keppel Bay Tower, Singapore 098632  
Tel: <65> 6213-0200, Fax: <65> 6278-8001