

To our customers,

---

## Old Company Name in Catalogs and Other Documents

---

On April 1<sup>st</sup>, 2010, NEC Electronics Corporation merged with Renesas Technology Corporation, and Renesas Electronics Corporation took over all the business of both companies. Therefore, although the old company name remains in this document, it is a valid Renesas Electronics document. We appreciate your understanding.

Renesas Electronics website: <http://www.renesas.com>

April 1<sup>st</sup>, 2010  
Renesas Electronics Corporation

Issued by: Renesas Electronics Corporation (<http://www.renesas.com>)

Send any inquiries to <http://www.renesas.com/inquiry>.

Not recommended  
for new design

## Notice

1. All information included in this document is current as of the date this document is issued. Such information, however, is subject to change without any prior notice. Before purchasing or using any Renesas Electronics products listed herein, please confirm the latest product information with a Renesas Electronics sales office. Also, please pay regular and careful attention to additional and different information to be disclosed by Renesas Electronics such as that disclosed through our website.
2. Renesas Electronics does not assume any liability for infringement of patents, copyrights, or other intellectual property rights of third parties by or arising from the use of Renesas Electronics products or technical information described in this document. No license, express, implied or otherwise, is granted hereby under any patents, copyrights or other intellectual property rights of Renesas Electronics or others.
3. You should not alter, modify, copy, or otherwise misappropriate any Renesas Electronics product, whether in whole or in part.
4. Descriptions of circuits, software and other related information in this document are provided only to illustrate the operation of semiconductor products and application examples. You are fully responsible for the incorporation of these circuits, software, and information in the design of your equipment. Renesas Electronics assumes no responsibility for any losses incurred by you or third parties arising from the use of these circuits, software, or information.
5. When exporting the products or technology described in this document, you should comply with the applicable export control laws and regulations and follow the procedures required by such laws and regulations. You should not use Renesas Electronics products or the technology described in this document for any purpose relating to military applications or use by the military, including but not limited to the development of weapons of mass destruction. Renesas Electronics products and technology may not be used for or incorporated into any products or systems whose manufacture, use, or sale is prohibited under any applicable domestic or foreign laws or regulations.
6. Renesas Electronics has used reasonable care in preparing the information included in this document, but Renesas Electronics does not warrant that such information is error free. Renesas Electronics assumes no liability whatsoever for any damages incurred by you resulting from errors in or omissions from the information included herein.
7. Renesas Electronics products are classified according to the following three quality grades: "Standard", "High Quality", and "Specific". The recommended applications for each Renesas Electronics product depends on the product's quality grade, as indicated below. You must check the quality grade of each Renesas Electronics product before using it in a particular application. You may not use any Renesas Electronics product for any application categorized as "Specific" without the prior written consent of Renesas Electronics. Further, you may not use any Renesas Electronics product for any application for which it is not intended without the prior written consent of Renesas Electronics. Renesas Electronics shall not be in any way liable for any damages or losses incurred by you or third parties arising from the use of any Renesas Electronics product for an application categorized as "Specific" or for which the product is not intended where you have failed to obtain the prior written consent of Renesas Electronics. The quality grade of each Renesas Electronics product is "Standard" unless otherwise expressly specified in a Renesas Electronics data sheets or data books, etc.
  - "Standard": Computers; office equipment; communications equipment; test and measurement equipment; audio and visual equipment; home electronic appliances; machine tools; personal electronic equipment; and industrial robots.
  - "High Quality": Transportation equipment (automobiles, trains, ships, etc.); traffic control systems; anti-disaster systems; anti-crime systems; safety equipment; and medical equipment not specifically designed for life support.
  - "Specific": Aircraft; aerospace equipment; submersible repeaters; nuclear reactor control systems; medical equipment or systems for life support (e.g. artificial life support devices or systems), surgical implantations, or healthcare intervention (e.g. excision, etc.), and any other applications or purposes that pose a direct threat to human life.
8. You should use the Renesas Electronics products described in this document within the range specified by Renesas Electronics, especially with respect to the maximum rating, operating supply voltage range, movement power voltage range, heat radiation characteristics, installation and other product characteristics. Renesas Electronics shall have no liability for malfunctions or damages arising out of the use of Renesas Electronics products beyond such specified ranges.
9. Although Renesas Electronics endeavors to improve the quality and reliability of its products, semiconductor products have specific characteristics such as the occurrence of failure at a certain rate and malfunctions under certain use conditions. Further, Renesas Electronics products are not subject to radiation resistance design. Please be sure to implement safety measures to guard them against the possibility of physical injury, and injury or damage caused by fire in the event of the failure of a Renesas Electronics product, such as safety design for hardware and software including but not limited to redundancy, fire control and malfunction prevention, appropriate treatment for aging degradation or any other appropriate measures. Because the evaluation of microcomputer software alone is very difficult, please evaluate the safety of the final products or system manufactured by you.
10. Please contact a Renesas Electronics sales office for details as to environmental matters such as the environmental compatibility of each Renesas Electronics product. Please use Renesas Electronics products in compliance with all applicable laws and regulations that regulate the inclusion or use of controlled substances, including without limitation, the EU RoHS Directive. Renesas Electronics assumes no liability for damages or losses occurring as a result of your noncompliance with applicable laws and regulations.
11. This document may not be reproduced or duplicated, in any form, in whole or in part, without prior written consent of Renesas Electronics.
12. Please contact a Renesas Electronics sales office if you have any questions regarding the information contained in this document or Renesas Electronics products, or if you have any other inquiries.

(Note 1) "Renesas Electronics" as used in this document means Renesas Electronics Corporation and also includes its majority-owned subsidiaries.

(Note 2) "Renesas Electronics product(s)" means any product developed or manufactured by or for Renesas Electronics.

# M61110FP/GP

## Coil-less VIF/SIF

REJ03F0021-0200Z

Rev.2.0

Mar.12.2004

### Description

M61110FP is a semiconductor integrated circuit consisting of VIF/SIF signal processing for CTVs and VCRs. M61110FP provides low cost and high performance system with the coil-less AFT

### Feature

- Coil-less AFT
- PLL FM demodulation for Audio. No external parts and adjustment. (Target S/N=70dB)
- The PLL-SPLIT system provides good sound sensitivity and reduces buzz.
- Video output is 2.2Vp-p through EQ AMP
- Easy to add Buzz cancel
- Hi speed IF AGC
- Built-in QIF AGC
- Improve over modulation characteristics and Vcc ripple rejection
- Open collector RF AGC output (5-9V available).

### Application

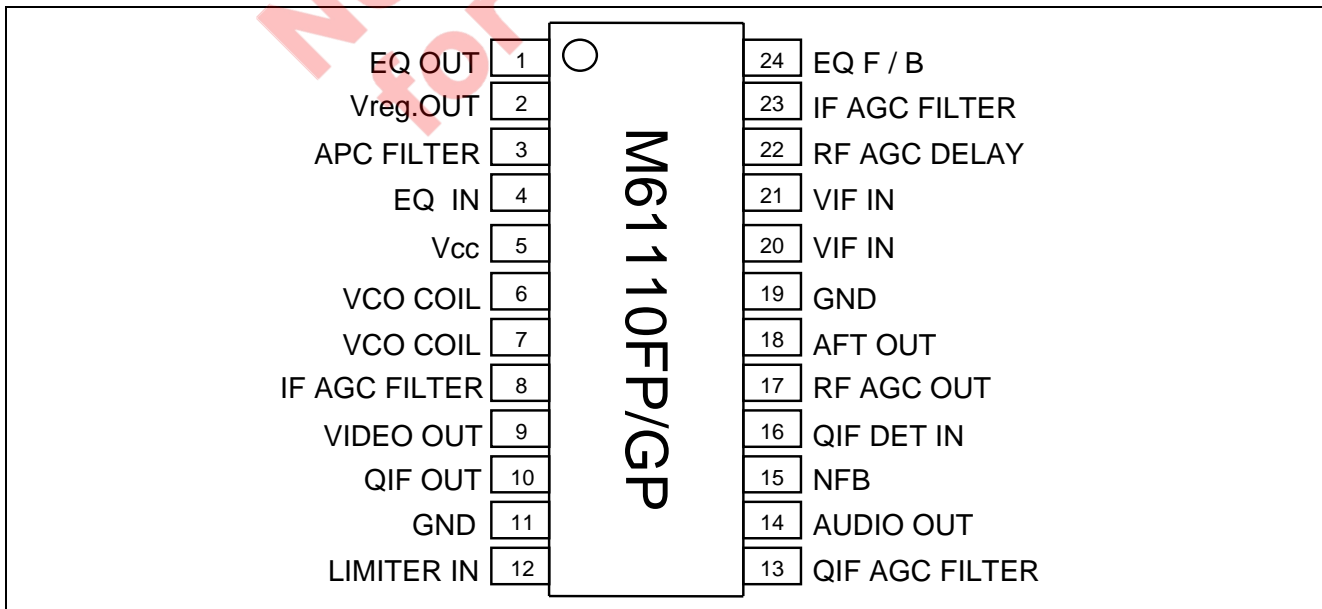
TV set, VCR tuners.

### Recommended Operating Condition (Ta = 25°C, unless otherwise noted)

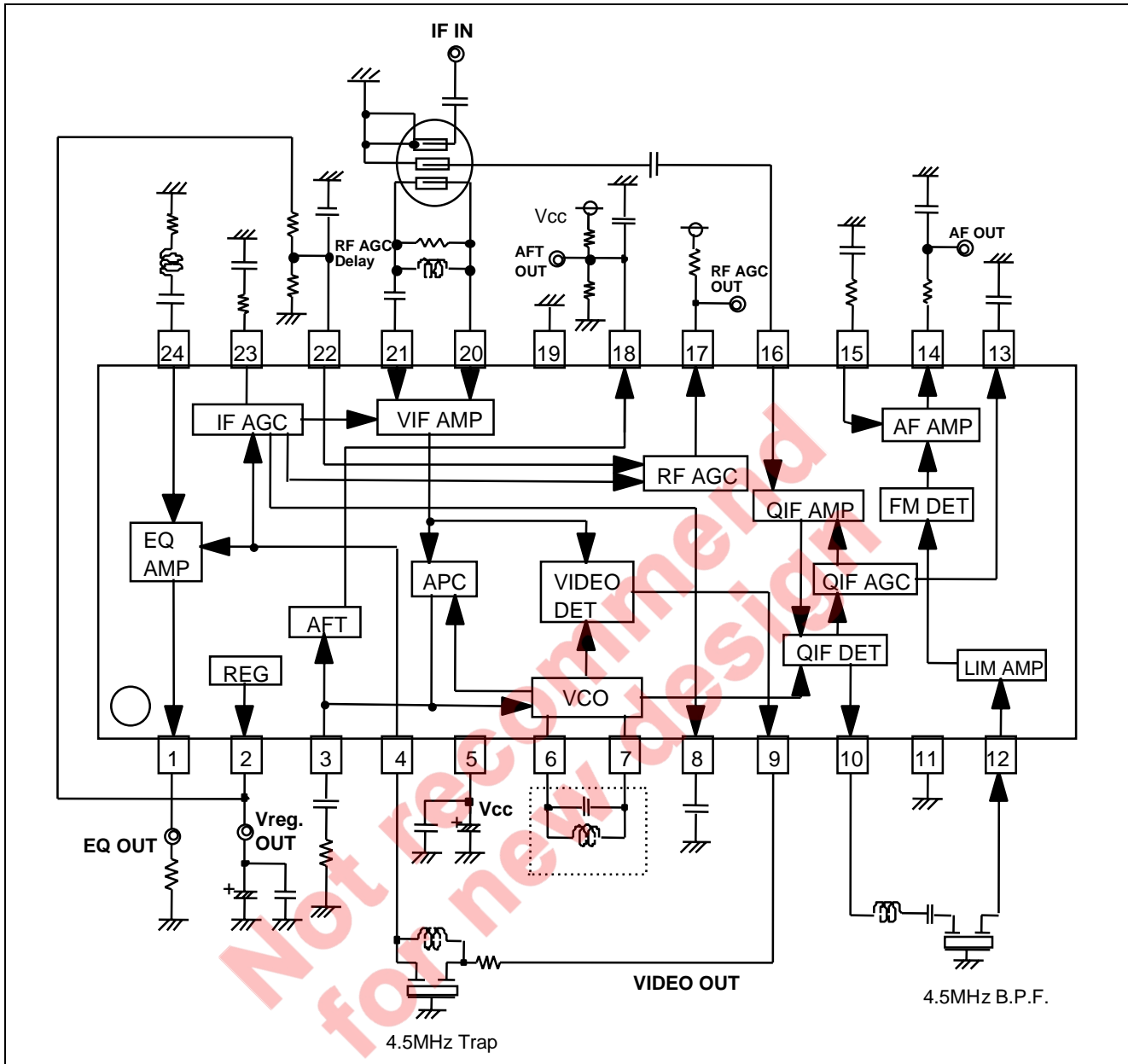
Supply Voltage Range (Vcc).....4.75 to 5.25 V

Rated Supply Voltage (Vcc).....5.0 V

### Pin configuration

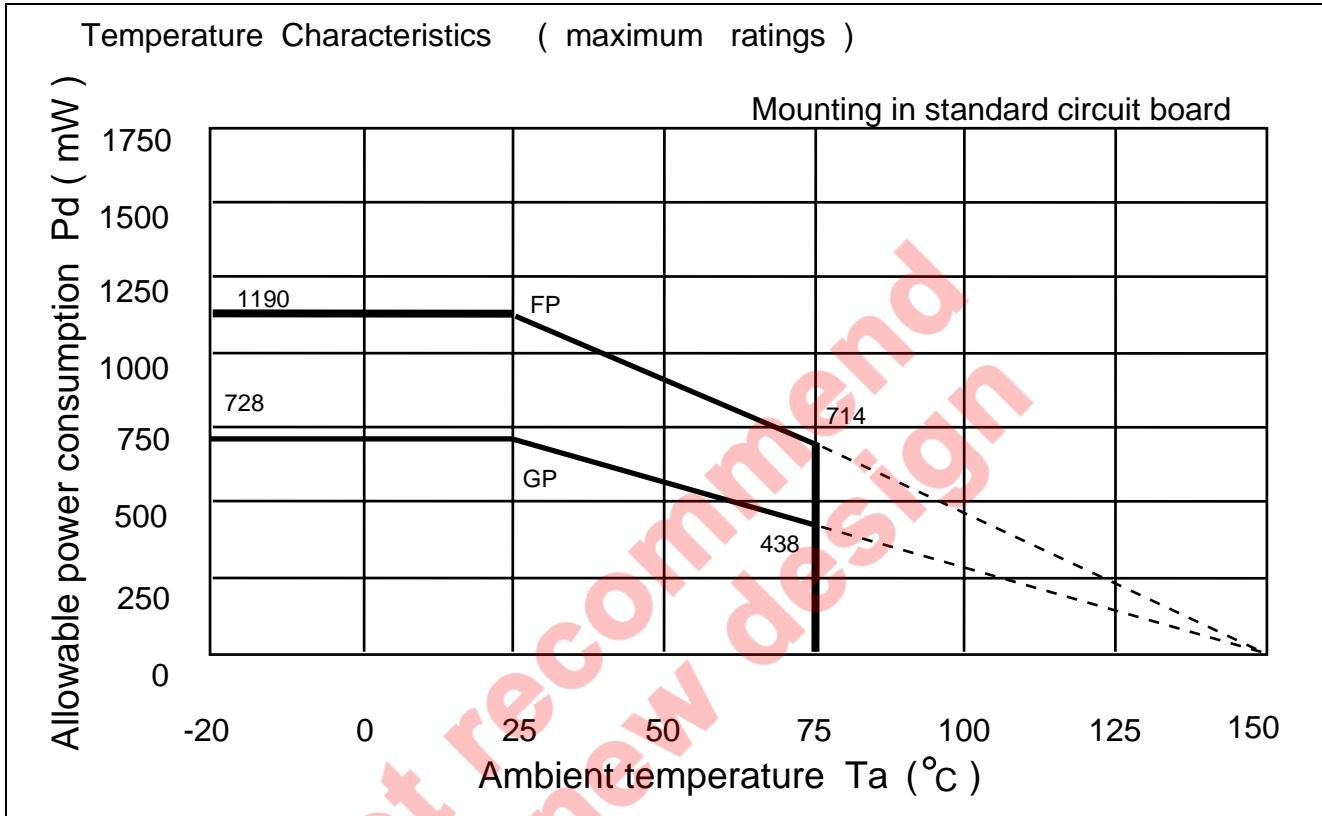


Block diagram and peripheral circuit



**Absolute maximum ratings** (Ta = 25°C, unless otherwise noted)

Parameter	Symbol	Ratings	Unit	Note
Supply Voltage	Vcc	6.0	V	
Power Consumption	Pd	1190(FP), 728(GP)	mW	
Operating Temperature	Topr	-20 to +75	°C	
Storage Temperature	Tstg	-40 to +150	°C	



**Electrical Characteristics** ( $V_{CC}=5V$ ,  $T_a=25^{\circ}C$ , unless otherwise noted)

VIF Section

No.	Parameter	Symbol	Test Circuit	Test Point	Input Point	Input SG	Measurement switches set to position 1 unless otherwise noted	Limits			Unit	Note
								Min	Typ	Max		
1	Circuit Current	I <sub>CC</sub>	1	A	—	—	SW5 = 2	40	50	60	mA	
2	Vreg. Output Voltage	V <sub>REG</sub>	1	TP2	—	—		3.2	3.5	3.8	V	
3	Video Output Voltage 9	V <sub>O</sub> det9	1	TP9	VIF IN	SG1		0.85	1.1	1.35	V <sub>p-p</sub>	
4	Video Output Voltage 1	V <sub>O</sub> det	1	TP1A	VIF IN	SG1		1.85	2.2	2.55	V <sub>p-p</sub>	
5	Video S/N	Video S/N	1	TP1B	VIF IN	SG2	SW1 = 2	51	56	—	dB	1
6	Video Band Width	BW	1	TP1A	VIF IN	SG3	SW8 = 2 V8 = Variable	5.0	7.0	—	MHz	2
7	Input Sensitivity	V <sub>IN</sub> MIN	1	TP1A	VIF IN	SG4		—	48	52	dB $\mu$	3
8	Maximum Allowable	V <sub>IN</sub> MAX	1	TP1A	VIF IN	SG5		104	110	—	dB $\mu$	4
9	AGC Control Range Input	GR	—	—	—	—		55	62	—	dB	5
10	IF AGC Voltage 1	V8	1	TP8	VIF IN	SG6		2.8	3.1	3.4	V	
11	IF AGC Voltage 2	V23	1	TP23	VIF IN	SG6		2.8	3.1	3.4	V	
12	Maximum RF AGC	V17H	1	TP17	VIF IN	SG6		4.5	4.9	—	V	
13	Minimum RF AGC	V17L	1	TP17	VIF IN	SG7		—	0.1	0.5	V	
14	RF AGC Delay Point	V17	1	TP17	VIF IN	SG8		86	89	92	dB $\mu$	6
15	Capture Range U	CR-U	1	TP1A	VIF IN	SG9		1.0	1.5	—	MHz	7
16	Capture Range L	CR-L	1	TP1A	VIF IN	SG9		1.1	1.6	—	MHz	8
17	Capture Range T	CR-T	—	—	—	—		2.3	3.1	—	MHz	9
18	AFT Sensitivity	$\mu$	1	TP18	VIF IN	SG10		22	32	44	mV/kHz	10
19	AFT Minimum Voltage	V18H	1	TP18	VIF IN	SG10		4.4	4.8	—	V	10
20	AFT Maximum Voltage	V18L	1	TP18	VIF IN	SG10		—	0.1	0.5	V	10
21	AFT defeat	AFT def	1	TP18	VIF IN	—		2.2	2.5	2.8	V	
22	Inter Modulation	IM	1	TP1A	VIF IN	SG11	SW8 = 2 V8 = Variable	35	40	—	dB	11
23	Differential Gain	DG	1	TP1A	VIF IN	SG12		—	2	5	%	
24	Differential Phase	DP	1	TP1A	VIF IN	SG12		—	2	5	deg	

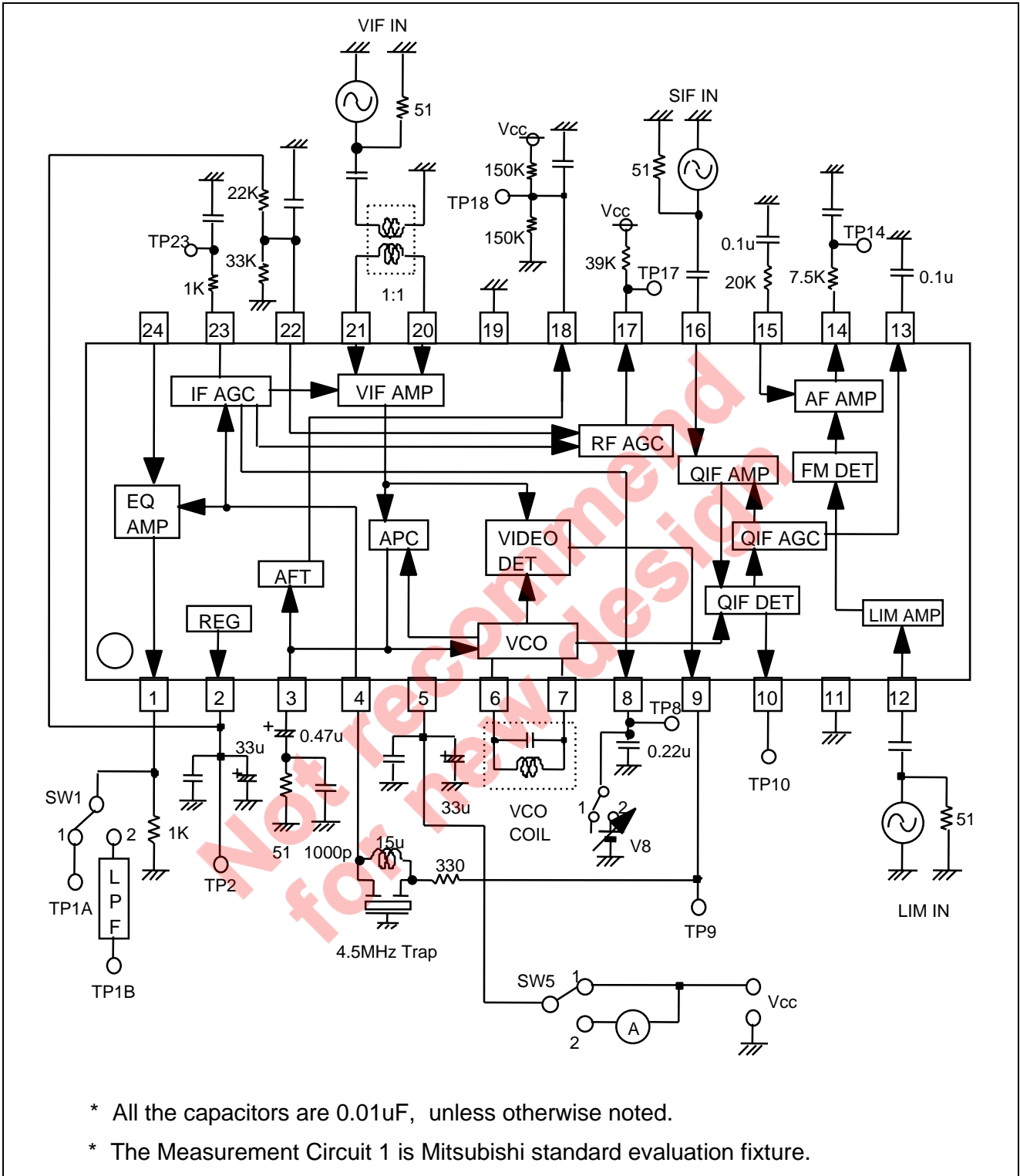
**Electrical Characteristics** ( $V_{CC}=5V$ ,  $T_a=25^{\circ}C$ , unless otherwise noted)

SIF Section

No.	Parameter	Symbol	Test Circuit	Test Point	Input Point	Input SG	Measurement switches set to position 1 unless otherwise noted	Limits			Unit	Note
								Min	Typ	Max		
25	QIF det OUT1	QIF1	1	TP10	VIF IN QIF IN	SG2 SG13		94	100	106	dB $\mu$	
26	QIF det OUT2	QIF2	1	TP10	VIF IN QIF IN	SG2 SG14		94	100	106	dB $\mu$	
27	AF Output	VoAF	1	TP14	SIF IN	SG16		400	600	880	mVrms	
28	AF Output Distortion	THD AF	1	TP14	SIF IN	SG16		—	0.2	0.9	%	
29	Limiting Sensitivity	LIM	1	TP14	SIF IN	SG17		—	42	55	dB $\mu$	12
30	AM Rejection	AMR	1	TP14	SIF IN	SG18		61	68	—	dB	13
31	AF S/N	AF S/N	1	TP14	SIF IN	SG19		63	70	—	dB	14

Not recommended  
for new design

Measurement Circuit Diagram





## Input Signal

SG 50  $\Omega$  Termination

1	f0 = 45.75MHz AM 20kHz 77.8% 90dB $\mu$
2	f0 = 45.75MHz 90dB $\mu$ CW
3	f1 = 45.75MHz 90dB $\mu$ CW f2 = Frequency Variable 70dB $\mu$ } CW Mixed Signal
4	f0 = 45.75MHz AM 20kHz 77.8% Level Variable
5	f0 = 45.75MHz AM 20kHz 14.0% Level Variable
6	f0 = 45.75MHz 80dB $\mu$ CW
7	f0 = 45.75MHz 110dB $\mu$ CW
8	f0 = 45.75MHz Level Variable CW
9	f0 = Frequency Variable AM 20kHz 77.8% 90dB $\mu$
10	f0 = Frequency Variable 90dB $\mu$ CW
11	f1 = 45.75MHz 90dB $\mu$ CW f2 = 42.17MHz 80dB $\mu$ CW } Mixed Signal f3 = 41.25MHz 80dB $\mu$ CW
12	f0 = 45.75MHz 87.5% TV modulation 10stair-steps waveform Sync Tip Level 90dB $\mu$
13	f1 = 41.25MHz 95dB $\mu$ CW
14	f1 = 41.25MHz 75dB $\mu$ CW
15	f1 = 45.75MHz 90dB $\mu$ CW f2 = 41.25MHz 70dB $\mu$ CW } Mixed Signal
16	f0 = 4.5MHz 90dB $\mu$ FM 400Hz +/-25kHzdev
17	f0 = 4.5MHz Level Variable FM 400Hz +/-25kHzdev
18	f0 = 4.5MHz 90dB $\mu$ AM 400Hz 30%
19	f0 = 4.5MHz 90dB $\mu$ CW
20	f0 = 4.5MHz Level Variable CW

Not recommended  
for new design

## Notes

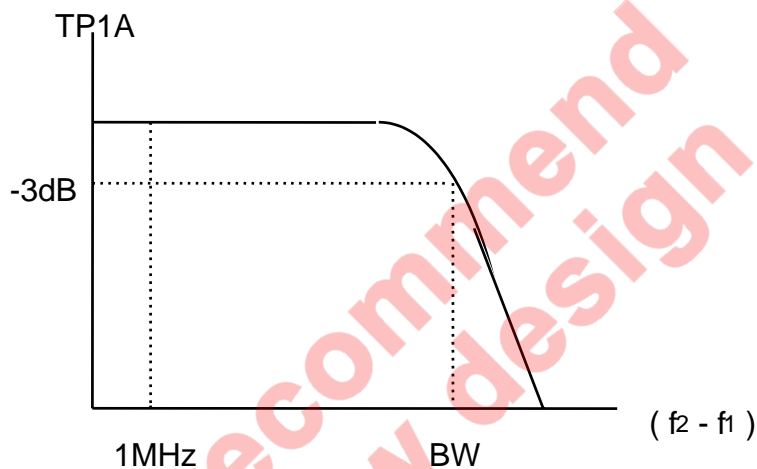
### 1. Video S/N

Input SG2 to VIF IN and measure the video out (Pin 1) noise in r.m.s. at TP1B through a 5MHz (-3dB) L.P.F.

$$S/N = 20 \log \left( \frac{0.7 \times V_{o \text{ det}}}{\text{NOISE}} \right) \quad [\text{dB}]$$

### 2. Video Band Width : BW

1. Measure the 1MHz component level of Video output TP1A with a spectrum analyzer when SG3 ( $f_2 = 44.75\text{MHz}$ ) is input to VIF IN. At that time, measure the voltage at TP8 with SW8, set to position 2, and then fix V8 at that voltage.
2. Reduce  $f_2$  and measure the value of  $(f_2 - f_1)$  when the  $(f_2 - f_1)$  component level reaches -3dB from the 1MHz component level as shown below.



### 3. Input Sensitivity : VIN MIN

Input SG4 ( $V_i = 90\text{dB}\mu$ ) to VIF IN, and then gradually reduce  $V_i$  and measure the input level when the 20kHz component of Video output TP1A reaches -3dB from  $V_{o \text{ det}}$  level.

### 4. Maximum Allowable Input : VIN MAX

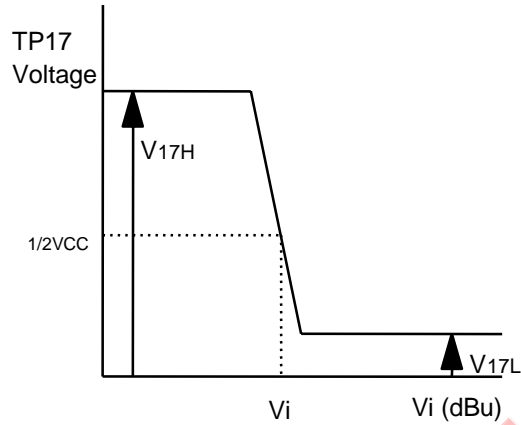
1. Input SG5 ( $V_i = 90\text{dB}\mu$ ) to VIF IN, and measure the level of the 20kHz component of Video output.
2. Gradually increase the  $V_i$  of SG and measure the input level when the output reaches -3dB.

### 5. AGC Control Range: GR

$$GR = V_{IN \text{ MAX}} - V_{IN \text{ MIN}} \quad [\text{dB}]$$

6. RF AGC Operating Voltage: V17

Input SG8 to VIF IN and gradually reduce  $V_i$  and then measure the input level when RF AGC output TP17 reaches  $1/2V_{CC}$ , as shown below.



7. Capture range: CR-U

1. Increase the frequency of SG9 until the VCO is out of locked-oscillation.
2. And decrease the frequency of SG9 and measure the frequency  $f_U$  when the VCO is locked.

$$CR-U = f_U - 45.75 \text{ [MHz]}$$

8. Capture range: CR-L

1. Decrease the frequency of SG9 until the VCO is out of locked-oscillation.
2. And increase the frequency of SG9 and measure the frequency  $f_L$  when the VCO is locked.

$$CR-L = 45.75 - f_L \text{ [MHz]}$$

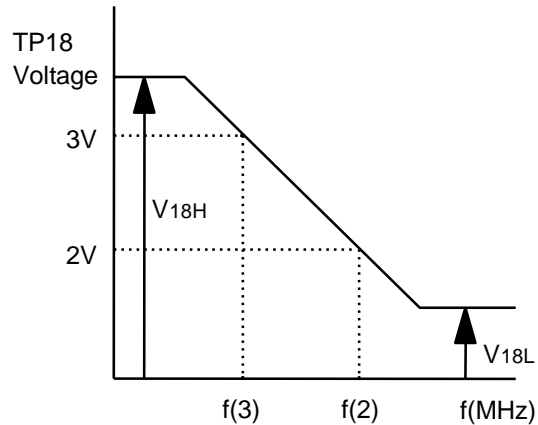
9. Capture range: CR-T

$$CR-T = CR-U + CR-L \text{ [MHz]}$$

10. AFT sensitivity :  $\mu$ , Maximum AFT voltage : V18H, Minimum AFT voltage : V18L

1. Input SG10 to VIF IN, and set the frequency of SG10 so that the voltage of AFT output TP18 is 3[V]. This frequency is named  $f(3)$ .
2. Set the frequency of SG10 so that the AFT output voltage is 2[V]. This frequency is named  $f(2)$ .
3. IN the graph shown below, maximum and minimum DC voltage are V 18H and V18L , respectively.

$$\mu = \frac{1000 \text{ [mV]}}{f(2) - f(3) \text{ [kHz]}} \text{ [mV/kHz]}$$



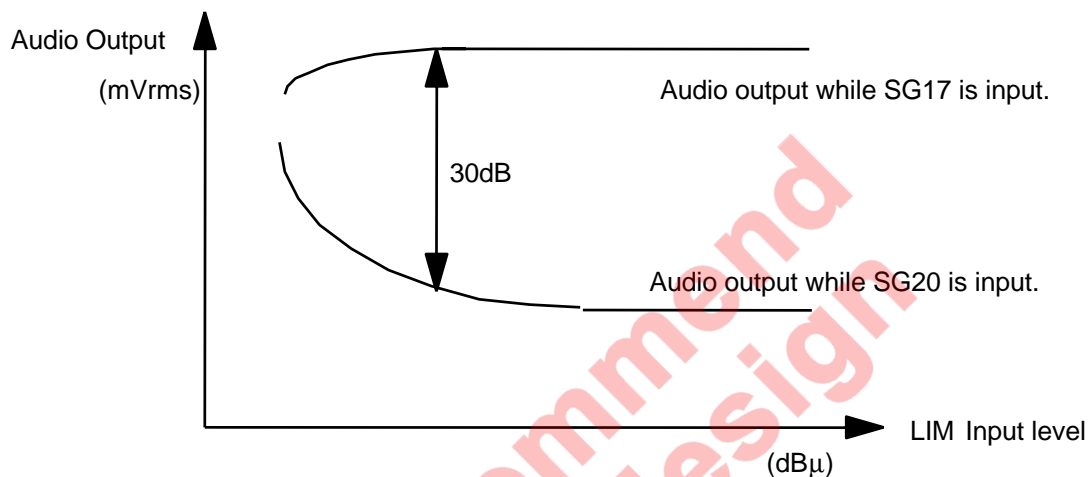
## 11. Inter modulation: IM

1. Input SG11 to VIF IN, and measure video output TP9 with an oscilloscope.
2. Adjust AGC filter voltage V8 so that the minimum DC level of the output waveform is 1.5V.
3. At that time, measure TP1A with a spectrum analyzer .

The inter modulation is defined as a difference between 0.92MHz and 3.58 MHz frequency components.

## 12. Limiting Sensitivity: LIM

1. Input SG17 to LIM IN, and measure the 400Hz component level of AF output TP14.
2. Input SG20 to LIM IN, and measure the noise level of AF output TP14 .
3. The input limiting sensitivity is defined as the input level when the difference between each 400Hz components of audio output (TP14) is 30dB, as shown below.



## 13. AM Rejection: AMR

1. Input SG18 to LIM IN, and measure the output level of Audio output (TP14). This level is named VAM.
2. AMR is;

$$AMR = 20 \log \left( \frac{VoAF \text{ (mVrms)}}{VAM \text{ (mVrms)}} \right) \quad [\text{dB}]$$

## 14. AF S/N: AF S/N

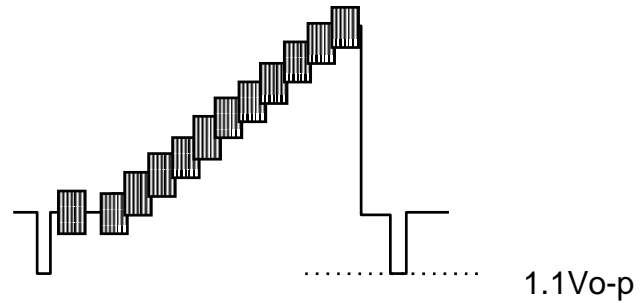
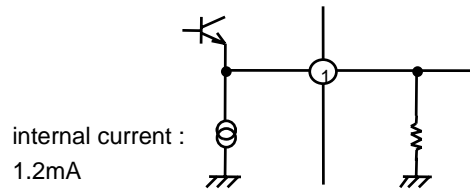
1. Input SG19 to LIM IN, and measure the output noise level of Audio output (TP14). This level is named VN.
2. S/N is;

$$S/N = 20 \log \left( \frac{VoAF \text{ (mVrms)}}{VN \text{ (mVrms)}} \right) \quad [\text{dB}]$$

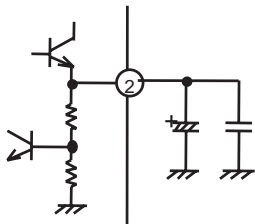
**Pin peripheral circuit explanation**

**\*Pin 1 (EQ OUT)**

EQ output amplitude is positive 2.2Vp-p in case of 87.5% video modulation.



**\*Pin 2 (Vreg.OUT)**



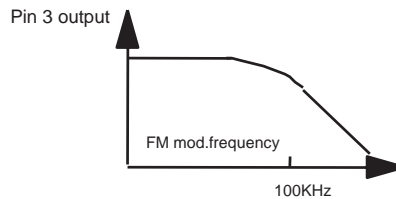
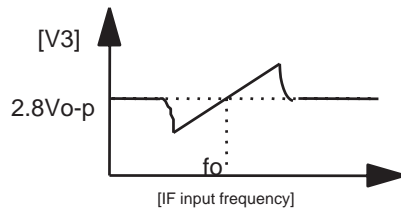
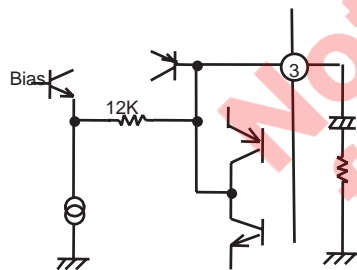
It is a regulated 3.5V output which has current drive capability of approximately 1mA.

In the locked state, the cut-off frequency of the filter is adjusted effectively by an external resistor so that it will be in the range of around 30 to 200kHz.

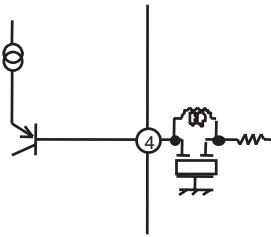
**\*Pin3 (APC FILTER)**

In case the cut-off frequency is lower, the pull-in speed becomes slow. On the other hand, a higher cut-off frequency widens the pull-in range and band width, which results in a degradation in the S/N ratio.

So, in the actual TV system design, the appropriate constant should be chosen for getting desirable performance considering above conditions.

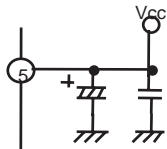


\*PIN 4 (EQ IN)



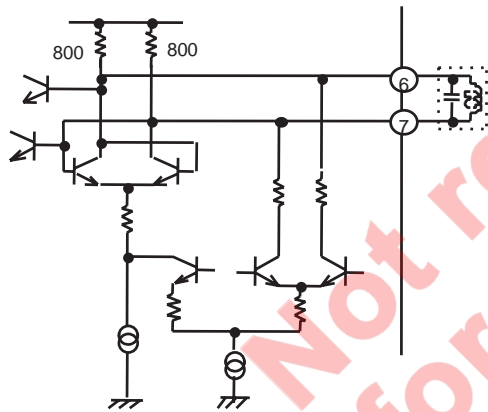
The input is open base.  
If DC information is not input to pin9, IF AGC dose not work normally.  
Please pay attention.

\*PIN 5 (Vcc)



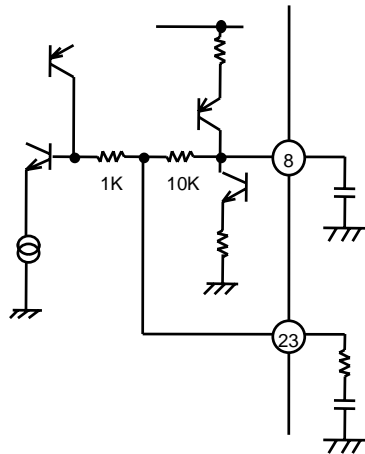
It is Vcc pin. (only one Vcc pin in this IC)

\*PIN 6, PIN 7 (VCO COIL)

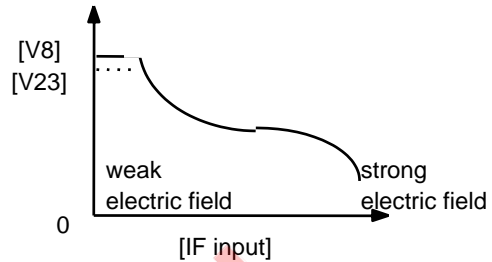


Connecting a tuning coil and capacitor to these pins enables an oscillation. The oscillation frequency is tuned in 'fo'. In the actual adjustment, the coil is tuned so that the AFT voltage reaches to  $V_{cc}/2$  with 'fo' as an input. The printed pattern around these pins should be designed carefully to prevent an pull-in error of VCO, caused by the leakage interference from the large signal level oscillator to adjacent pins. The interconnection should be designed as short as possible. In case the printed pattern has the interference problem, a capacitor of about 1pF is connected between pin6 or pin7 and GND so as to cancel the interference and keep enough pull-in range even in a low input level.

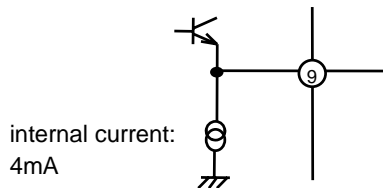
\*PIN 8, PIN 23 (IF AGC FILTER)



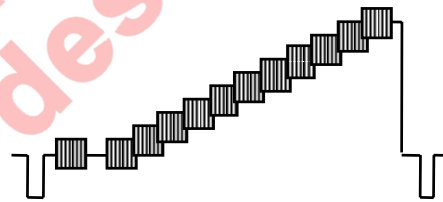
2-pins filter characteristics are available by utilizing the dynamic AGC circuit .  
And AGC speed can be changed, if pin23 on the external resistor is variable.



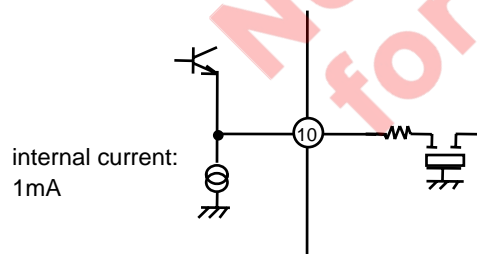
\*PIN 9 (VIDEO OUT)



Video output amplitude is positive 1.1Vp-p in case of 87.5% video modulation.



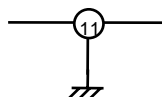
\*PIN 10 (QIF OUT)



In the split carrier system, the carrier signal to SIF is provided from pin10 through the emitter follower.

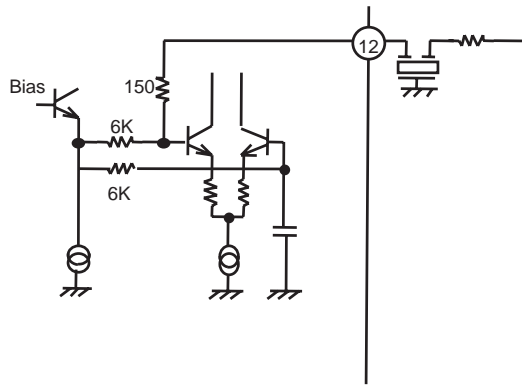
And please open this pin, when it is used in the inter carrier system.

\*PIN 11 (GND)



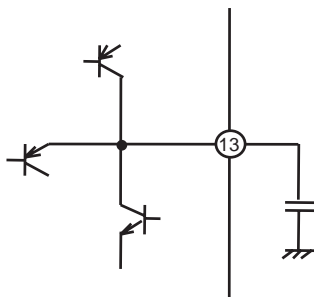
This is GND of the SIF part .

\*PIN 12 (LIMITER IN)



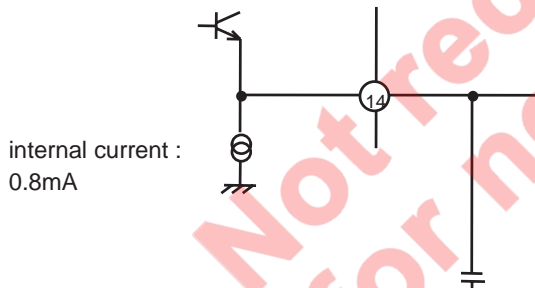
The input impedance is 6.15KΩ.

\*PIN 13 (QIF AGC FILTER)



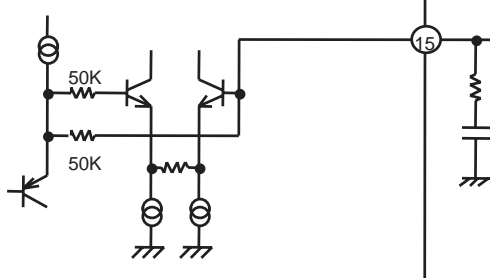
AGC speed can be changed by this pin's external capacity.

\*PIN 14 (AUDIO OUT)



The FM detector can respond to SIF signals without an adjustment and external components by adopting the PLL technique. The capacitor between pin14 and pin15, which fixes the de-emphasis characteristics, can be determined considering the combination of an equivalent resistance of the IC and this capacitor itself.

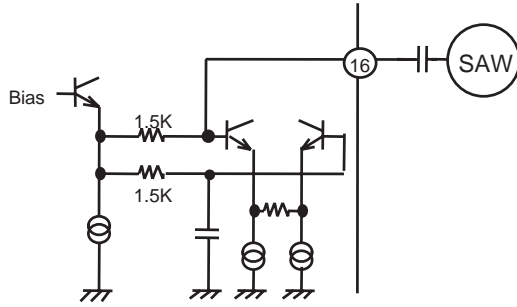
\*PIN 15 (NFB)



Frequency response of audio output is decided with external capacitor value of pin15. And audio output level can be made it small when it connected external capacitor to pin15 and resistance in series.

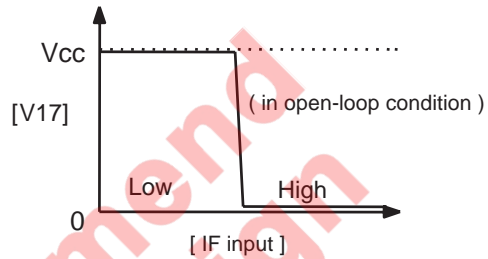
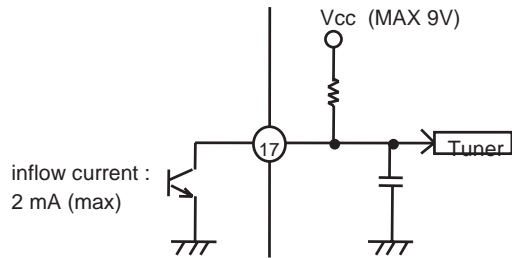


\*PIN 16 (QIF DET IN)



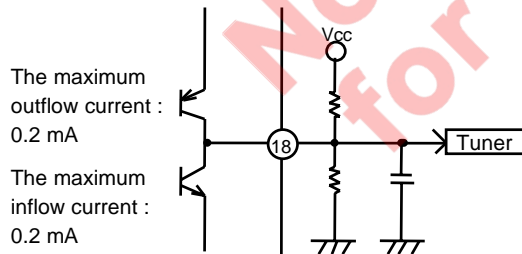
The input impedance is 1.5KΩ.

\*PIN 17 (RF AGC OUT)

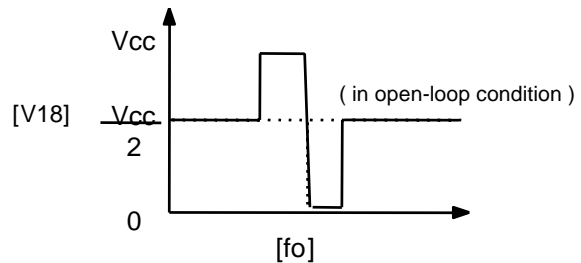


Connecting a non-polarity capacitor of 1uF between pin17 to pin22 improves AGC operating speed.  
In that case, the capacitors between pin17 and pin22 to ground should be removed.  
It is possible for Pin17 to connect to Vcc with 9V.

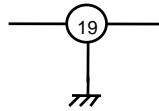
\*PIN 18 (AFT OUT)



AFT output is provided by a high impedance source, the detection sensitivity can be set by an external resistor. The muting operation will be on in following two cases;  
1) the APC is out of locked  
2) the video output becomes small enough in a low input level.

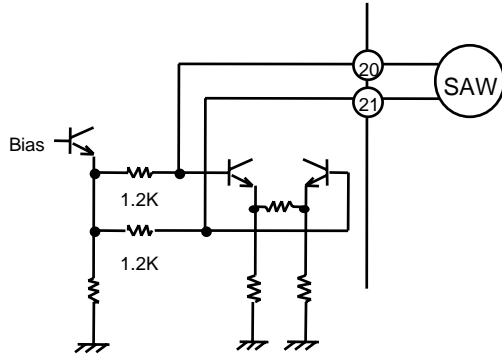


\*PIN 19 (GND)



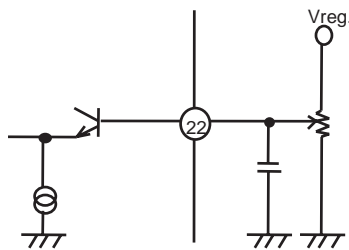
This is GND other than SIF part.

\*PIN 20, PIN 21 (VIF IN)



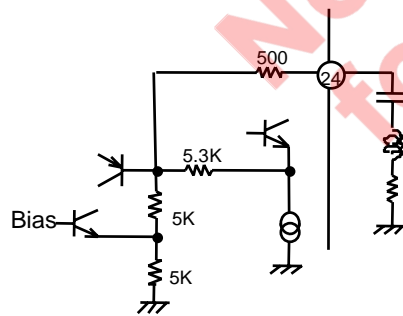
It should be designed carefully for impedance matching with the SAW filter.

\*PIN 22 (RF AGC DELAY)

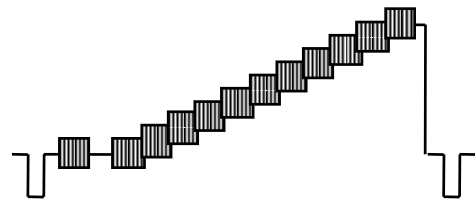


The applied voltage to the pin22 is for changing RF AGC delay point .

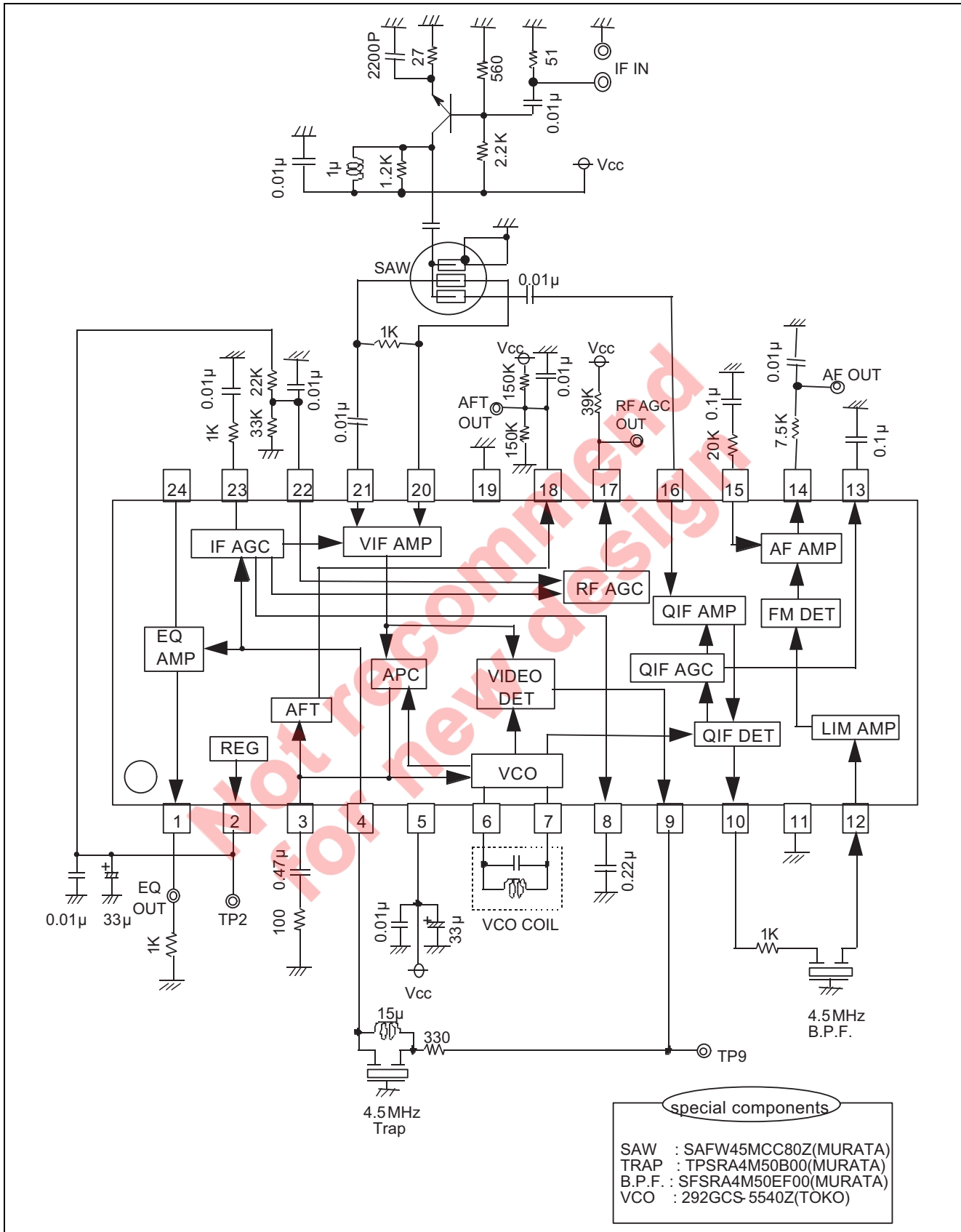
\*PIN 24 (EQ F/B)



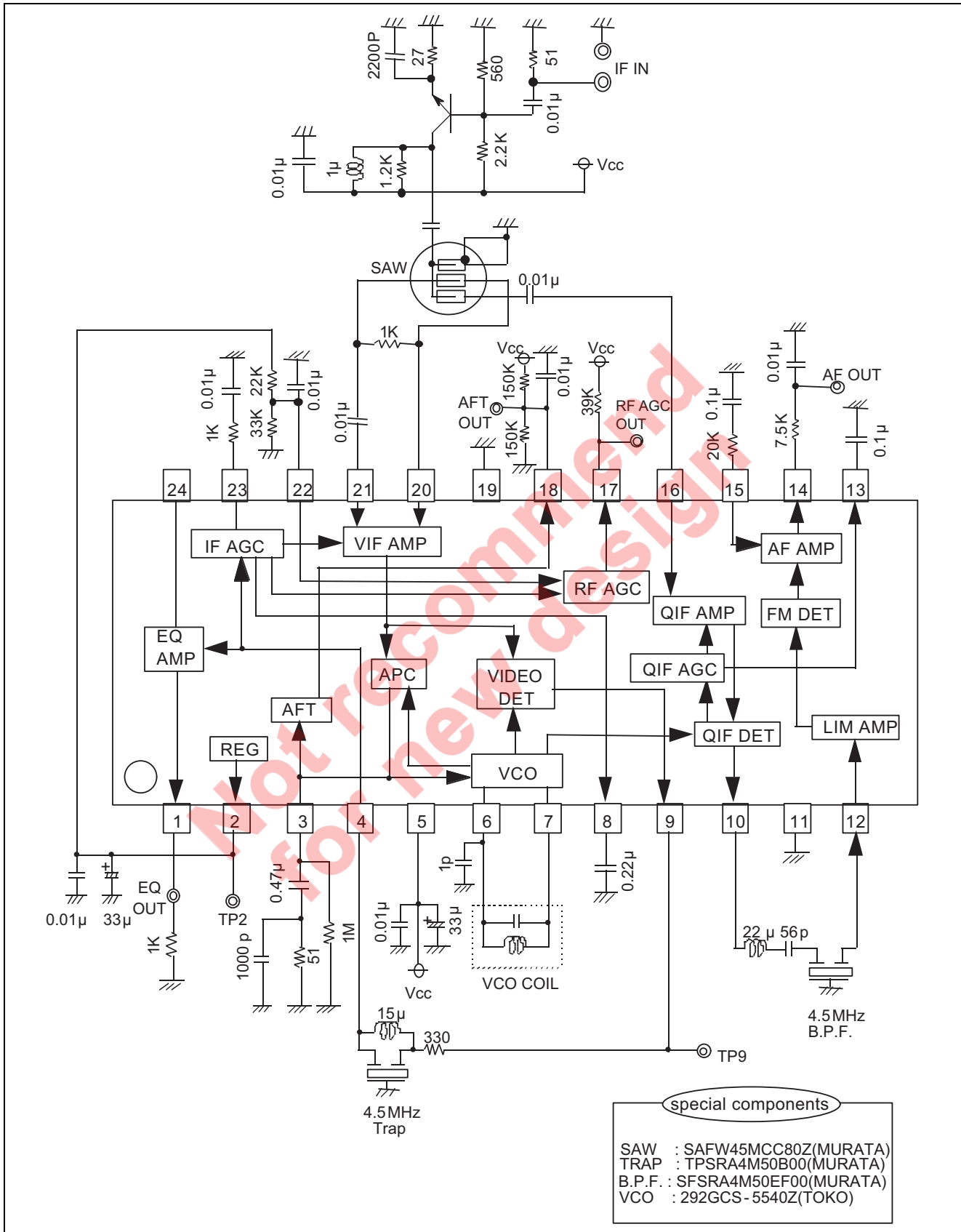
Both the external coil and capacitor determine the frequency response of EQ output .  
The series connected resistor is for damping.



Application Example 1



Application Example 2



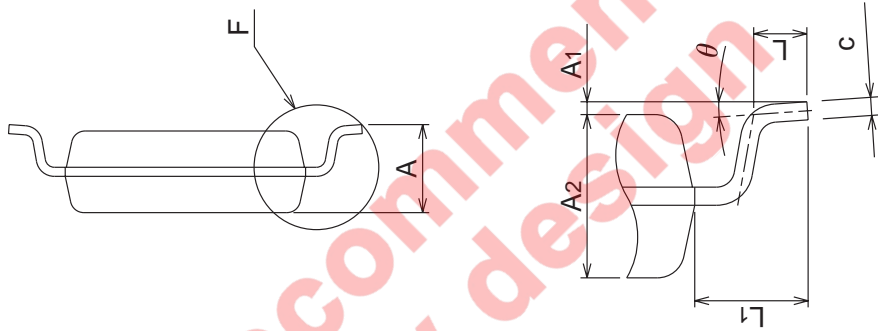
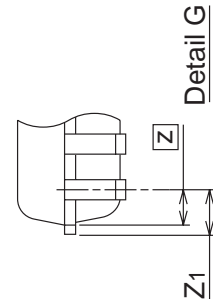
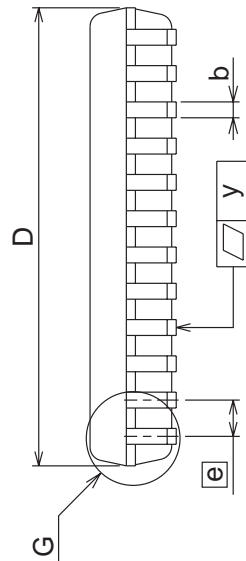
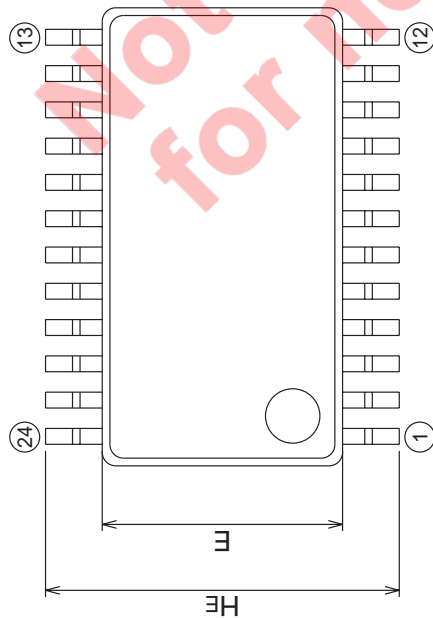
Detailed Diagram Of Package Outline

**24P2Q-A**

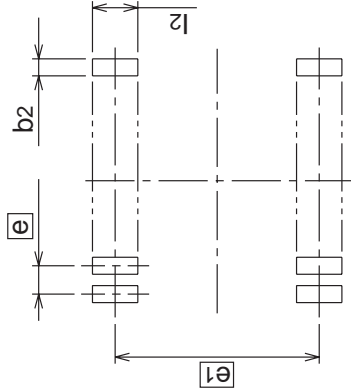
(MMP)

**Plastic 24pin 300mil SSOP**

EIAJ Package Code	JEDEC Code	Weight(g)	Lead Material
SSOP24-P-300-0.80	—	0.2	Cu Alloy



Detail F



Recommended Mount Pad

Symbol	Dimension in Millimeters		
	Min	Norm	Max
A	—	—	2.1
A1	0	0.1	0.2
A2	—	1.8	—
b	0.3	0.35	0.45
c	0.18	0.2	0.25
D	10.0	10.1	10.2
E	5.2	5.3	5.4
e	—	0.8	—
HE	7.5	7.8	8.1
L	0.4	0.6	0.8
L1	—	1.25	—
Z	—	0.65	—
Z1	—	—	0.8
y	—	—	0.1
$\theta$	0°	—	8°
b2	—	0.5	—
e1	—	7.62	—
l2	1.27	—	—

**Renesas Technology Corp.** Sales Strategic Planning Div. Nippon Bldg., 2-6-2, Ohte-machi, Chiyoda-ku, Tokyo 100-0004, Japan

---

Keep safety first in your circuit designs!

1. Renesas Technology Corp. puts the maximum effort into making semiconductor products better and more reliable, but there is always the possibility that trouble may occur with them. Trouble with semiconductors may lead to personal injury, fire or property damage. Remember to give due consideration to safety when making your circuit designs, with appropriate measures such as (i) placement of substitutive, auxiliary circuits, (ii) use of nonflammable material or (iii) prevention against any malfunction or mishap.

Notes regarding these materials

1. These materials are intended as a reference to assist our customers in the selection of the Renesas Technology Corp. product best suited to the customer's application; they do not convey any license under any intellectual property rights, or any other rights, belonging to Renesas Technology Corp. or a third party.
  2. Renesas Technology Corp. assumes no responsibility for any damage, or infringement of any third-party's rights, originating in the use of any product data, diagrams, charts, programs, algorithms, or circuit application examples contained in these materials.
  3. All information contained in these materials, including product data, diagrams, charts, programs and algorithms represents information on products at the time of publication of these materials, and are subject to change by Renesas Technology Corp. without notice due to product improvements or other reasons. It is therefore recommended that customers contact Renesas Technology Corp. or an authorized Renesas Technology Corp. product distributor for the latest product information before purchasing a product listed herein.  
The information described here may contain technical inaccuracies or typographical errors.  
Renesas Technology Corp. assumes no responsibility for any damage, liability, or other loss rising from these inaccuracies or errors.  
Please also pay attention to information published by Renesas Technology Corp. by various means, including the Renesas Technology Corp. Semiconductor home page (<http://www.renesas.com>).
  4. When using any or all of the information contained in these materials, including product data, diagrams, charts, programs, and algorithms, please be sure to evaluate all information as a total system before making a final decision on the applicability of the information and products. Renesas Technology Corp. assumes no responsibility for any damage, liability or other loss resulting from the information contained herein.
  5. Renesas Technology Corp. semiconductors are not designed or manufactured for use in a device or system that is used under circumstances in which human life is potentially at stake. Please contact Renesas Technology Corp. or an authorized Renesas Technology Corp. product distributor when considering the use of a product contained herein for any specific purposes, such as apparatus or systems for transportation, vehicular, medical, aerospace, nuclear, or undersea repeater use.
  6. The prior written approval of Renesas Technology Corp. is necessary to reprint or reproduce in whole or in part these materials.
  7. If these products or technologies are subject to the Japanese export control restrictions, they must be exported under a license from the Japanese government and cannot be imported into a country other than the approved destination.  
Any diversion or reexport contrary to the export control laws and regulations of Japan and/or the country of destination is prohibited.
  8. Please contact Renesas Technology Corp. for further details on these materials or the products contained therein.
- 



**RENESAS SALES OFFICES**

<http://www.renesas.com>

**Renesas Technology America, Inc.**  
450 Holger Way, San Jose, CA 95134-1368, U.S.A  
Tel: <1> (408) 382-7500 Fax: <1> (408) 382-7501

**Renesas Technology Europe Limited.**  
Dukes Meadow, Millboard Road, Bourne End, Buckinghamshire, SL8 5FH, United Kingdom  
Tel: <44> (1628) 585 100, Fax: <44> (1628) 585 900

**Renesas Technology Europe GmbH**  
Dornacher Str. 3, D-85622 Feldkirchen, Germany  
Tel: <49> (89) 380 70 0, Fax: <49> (89) 929 30 11

**Renesas Technology Hong Kong Ltd.**  
7/F., North Tower, World Finance Centre, Harbour City, Canton Road, Hong Kong  
Tel: <852> 2265-6688, Fax: <852> 2375-6836

**Renesas Technology Taiwan Co., Ltd.**  
FL 10, #99, Fu-Hsing N. Rd., Taipei, Taiwan  
Tel: <886> (2) 2715-2888, Fax: <886> (2) 2713-2999

**Renesas Technology (Shanghai) Co., Ltd.**  
26/F., Ruijin Building, No.205 Maoming Road (S), Shanghai 200020, China  
Tel: <86> (21) 6472-1001, Fax: <86> (21) 6415-2952

**Renesas Technology Singapore Pte. Ltd.**  
1, Harbour Front Avenue, #06-10, Keppel Bay Tower, Singapore 098632  
Tel: <65> 6213-0200, Fax: <65> 6278-8001