

To our customers,

Old Company Name in Catalogs and Other Documents

On April 1st, 2010, NEC Electronics Corporation merged with Renesas Technology Corporation, and Renesas Electronics Corporation took over all the business of both companies. Therefore, although the old company name remains in this document, it is a valid Renesas Electronics document. We appreciate your understanding.

Renesas Electronics website: <http://www.renesas.com>

April 1st, 2010
Renesas Electronics Corporation

Issued by: Renesas Electronics Corporation (<http://www.renesas.com>)

Send any inquiries to <http://www.renesas.com/inquiry>.

Not recommended
for new design

Notice

1. All information included in this document is current as of the date this document is issued. Such information, however, is subject to change without any prior notice. Before purchasing or using any Renesas Electronics products listed herein, please confirm the latest product information with a Renesas Electronics sales office. Also, please pay regular and careful attention to additional and different information to be disclosed by Renesas Electronics such as that disclosed through our website.
2. Renesas Electronics does not assume any liability for infringement of patents, copyrights, or other intellectual property rights of third parties by or arising from the use of Renesas Electronics products or technical information described in this document. No license, express, implied or otherwise, is granted hereby under any patents, copyrights or other intellectual property rights of Renesas Electronics or others.
3. You should not alter, modify, copy, or otherwise misappropriate any Renesas Electronics product, whether in whole or in part.
4. Descriptions of circuits, software and other related information in this document are provided only to illustrate the operation of semiconductor products and application examples. You are fully responsible for the incorporation of these circuits, software, and information in the design of your equipment. Renesas Electronics assumes no responsibility for any losses incurred by you or third parties arising from the use of these circuits, software, or information.
5. When exporting the products or technology described in this document, you should comply with the applicable export control laws and regulations and follow the procedures required by such laws and regulations. You should not use Renesas Electronics products or the technology described in this document for any purpose relating to military applications or use by the military, including but not limited to the development of weapons of mass destruction. Renesas Electronics products and technology may not be used for or incorporated into any products or systems whose manufacture, use, or sale is prohibited under any applicable domestic or foreign laws or regulations.
6. Renesas Electronics has used reasonable care in preparing the information included in this document, but Renesas Electronics does not warrant that such information is error free. Renesas Electronics assumes no liability whatsoever for any damages incurred by you resulting from errors in or omissions from the information included herein.
7. Renesas Electronics products are classified according to the following three quality grades: “Standard”, “High Quality”, and “Specific”. The recommended applications for each Renesas Electronics product depends on the product’s quality grade, as indicated below. You must check the quality grade of each Renesas Electronics product before using it in a particular application. You may not use any Renesas Electronics product for any application categorized as “Specific” without the prior written consent of Renesas Electronics. Further, you may not use any Renesas Electronics product for any application for which it is not intended without the prior written consent of Renesas Electronics. Renesas Electronics shall not be in any way liable for any damages or losses incurred by you or third parties arising from the use of any Renesas Electronics product for an application categorized as “Specific” or for which the product is not intended where you have failed to obtain the prior written consent of Renesas Electronics. The quality grade of each Renesas Electronics product is “Standard” unless otherwise expressly specified in a Renesas Electronics data sheets or data books, etc.
 - “Standard”: Computers; office equipment; communications equipment; test and measurement equipment; audio and visual equipment; home electronic appliances; machine tools; personal electronic equipment; and industrial robots.
 - “High Quality”: Transportation equipment (automobiles, trains, ships, etc.); traffic control systems; anti-disaster systems; anti-crime systems; safety equipment; and medical equipment not specifically designed for life support.
 - “Specific”: Aircraft; aerospace equipment; submersible repeaters; nuclear reactor control systems; medical equipment or systems for life support (e.g. artificial life support devices or systems), surgical implantations, or healthcare intervention (e.g. excision, etc.), and any other applications or purposes that pose a direct threat to human life.
8. You should use the Renesas Electronics products described in this document within the range specified by Renesas Electronics, especially with respect to the maximum rating, operating supply voltage range, movement power voltage range, heat radiation characteristics, installation and other product characteristics. Renesas Electronics shall have no liability for malfunctions or damages arising out of the use of Renesas Electronics products beyond such specified ranges.
9. Although Renesas Electronics endeavors to improve the quality and reliability of its products, semiconductor products have specific characteristics such as the occurrence of failure at a certain rate and malfunctions under certain use conditions. Further, Renesas Electronics products are not subject to radiation resistance design. Please be sure to implement safety measures to guard them against the possibility of physical injury, and injury or damage caused by fire in the event of the failure of a Renesas Electronics product, such as safety design for hardware and software including but not limited to redundancy, fire control and malfunction prevention, appropriate treatment for aging degradation or any other appropriate measures. Because the evaluation of microcomputer software alone is very difficult, please evaluate the safety of the final products or system manufactured by you.
10. Please contact a Renesas Electronics sales office for details as to environmental matters such as the environmental compatibility of each Renesas Electronics product. Please use Renesas Electronics products in compliance with all applicable laws and regulations that regulate the inclusion or use of controlled substances, including without limitation, the EU RoHS Directive. Renesas Electronics assumes no liability for damages or losses occurring as a result of your noncompliance with applicable laws and regulations.
11. This document may not be reproduced or duplicated, in any form, in whole or in part, without prior written consent of Renesas Electronics.
12. Please contact a Renesas Electronics sales office if you have any questions regarding the information contained in this document or Renesas Electronics products, or if you have any other inquiries.

(Note 1) “Renesas Electronics” as used in this document means Renesas Electronics Corporation and also includes its majority-owned subsidiaries.

(Note 2) “Renesas Electronics product(s)” means any product developed or manufactured by or for Renesas Electronics.

M52042FP

NTSC Video Chroma Signal Processor

REJ03F0180-0201
Rev.2.01
Mar 31, 2008

Description

The M52042FP is a semiconductor integrated circuit (IC) for picture signal processing that has been developed for NTSC system LCD color TV.

This IC has a built-in luminance signal processing circuit and color signal processing circuit, which is employed to convert a composite video signal to an RGB signal.

Features

- Low voltage and low power dissipation design
- Built-in Y/C separation circuit and external chroma trap switchable (fc is nearly equal to 1.5 MHz.)
- Built-in sync separation circuit
- Provided with Y-signal blanking function by HD pulse
- R.G.B. signal output
- Tint, contrast, picture quality and color control linearly adjustable
- 24-pin, shrink pitch, flat package employed
- Same package as in PAL system video chroma IC M52045FP, pin perfectly compatible

Application

LCD color TV and LCD color view finder

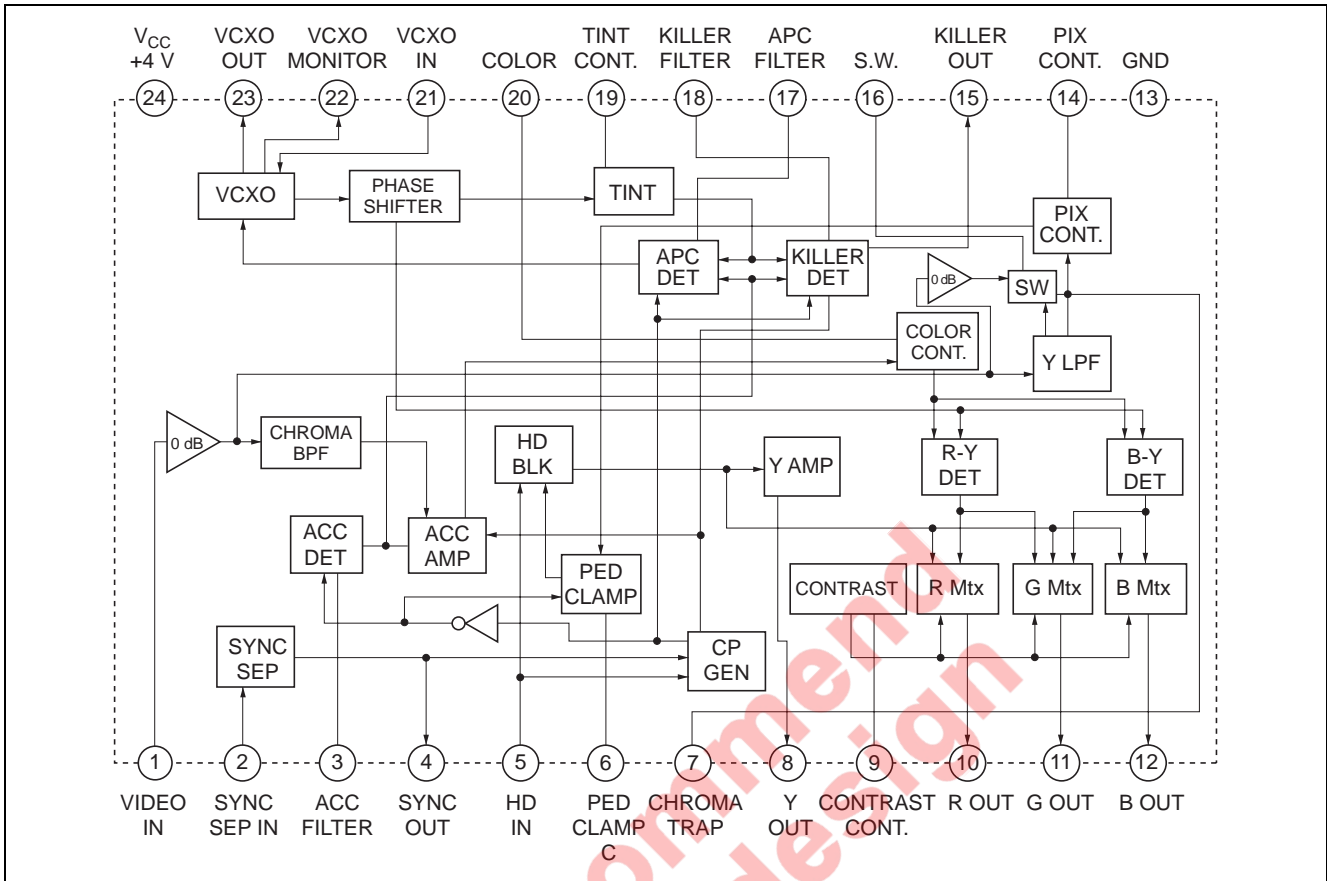
Recommended Operating Condition

Supply voltage range: 3.7 to 4.5 V

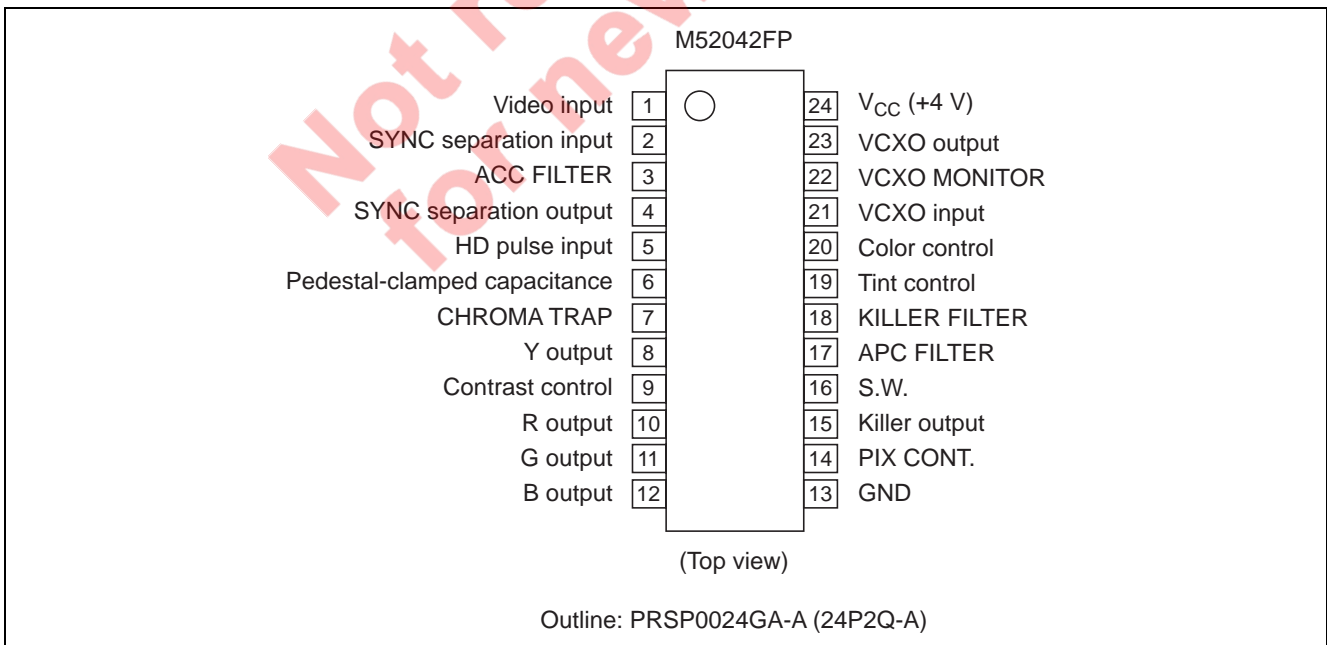
Rated supply voltage: 4.0 V

Not recommended
for new design

Block Diagram



Pin Arrangement



Pin Description

Pin No.	Name	Peripheral Circuit of Pins
1	VIDEO IN (Video input)	
2	SYNC SEP IN (SYNC separation input)	
3	ACC FILTER	
4	SYNC OUT (SYNC separation output)	
5	HD IN (HD pulse input)	

Pin No.	Name	Peripheral Circuit of Pins
6	PED CLAMP C (Pedestal-clamped capacitance)	
7	CHROMA TRAP	
8	Y OUT (Y output)	
9	CONTRAST CONT. (Contrast control)	
10	R OUT (R output)	
11	G OUT (G output)	
12	B OUT (B output)	
13	GND (Grounding)	—
24	V _{CC} +4 V (Power supply)	—

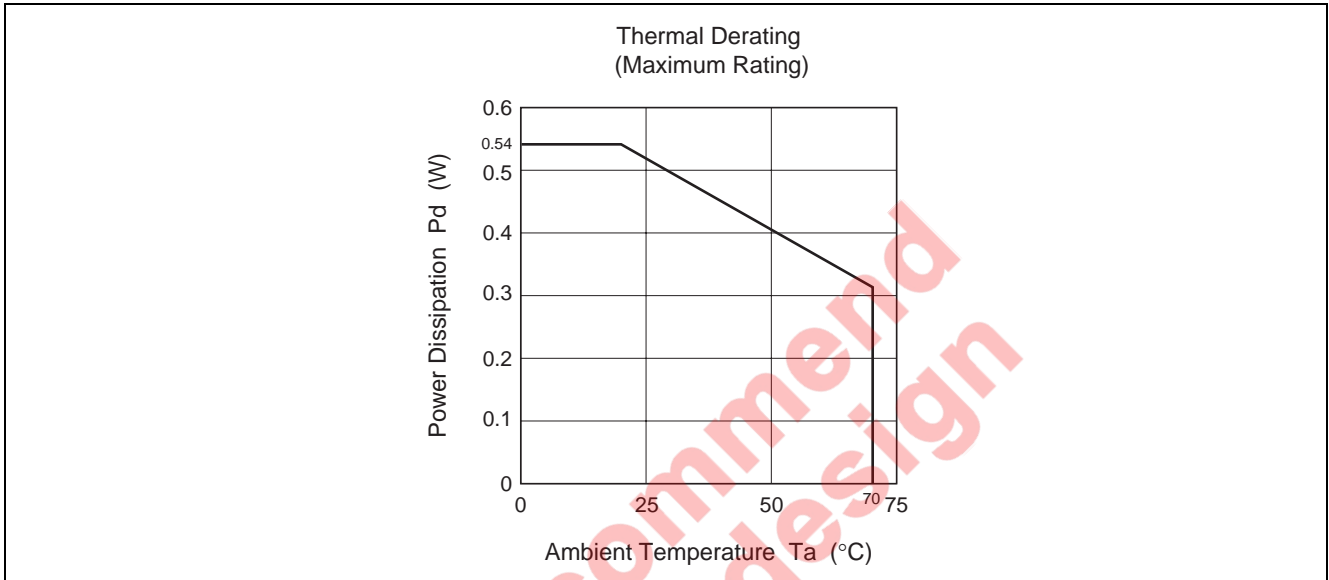
Pin No.	Name	Peripheral Circuit of Pins
16	S.W. (Selector switch)	
22	VCXO MONITOR	
14	PIX CONT. (Picture quality control)	
15	KILLER OUT (Killer output)	
17	APC FILTER	

Pin No.	Name	Peripheral Circuit of Pins
18	KILLER FILTER	
19	TINT CONT. (Tint control)	
20	COLOR (Color control)	
21	VCXO IN (VCXO input)	
23	VCXO OUT (VCXO output)	

Absolute Maximum Ratings

Item	Symbol	Ratings	Unit
Supply voltage	V_{CC}	4.8	V
Power dissipation	P_d	680	mW
Operating temperature	T_{opr}	-10 to 70	°C
Storage temperature	T_{stg}	-45 to 120	°C
Thermal derating	K_{θ}	5.4	mW/°C
Electrostatic capacity	V_{max}	$\pm 200^*$	V

Note: Charging capacity: 200 pF




Electrical Characteristics

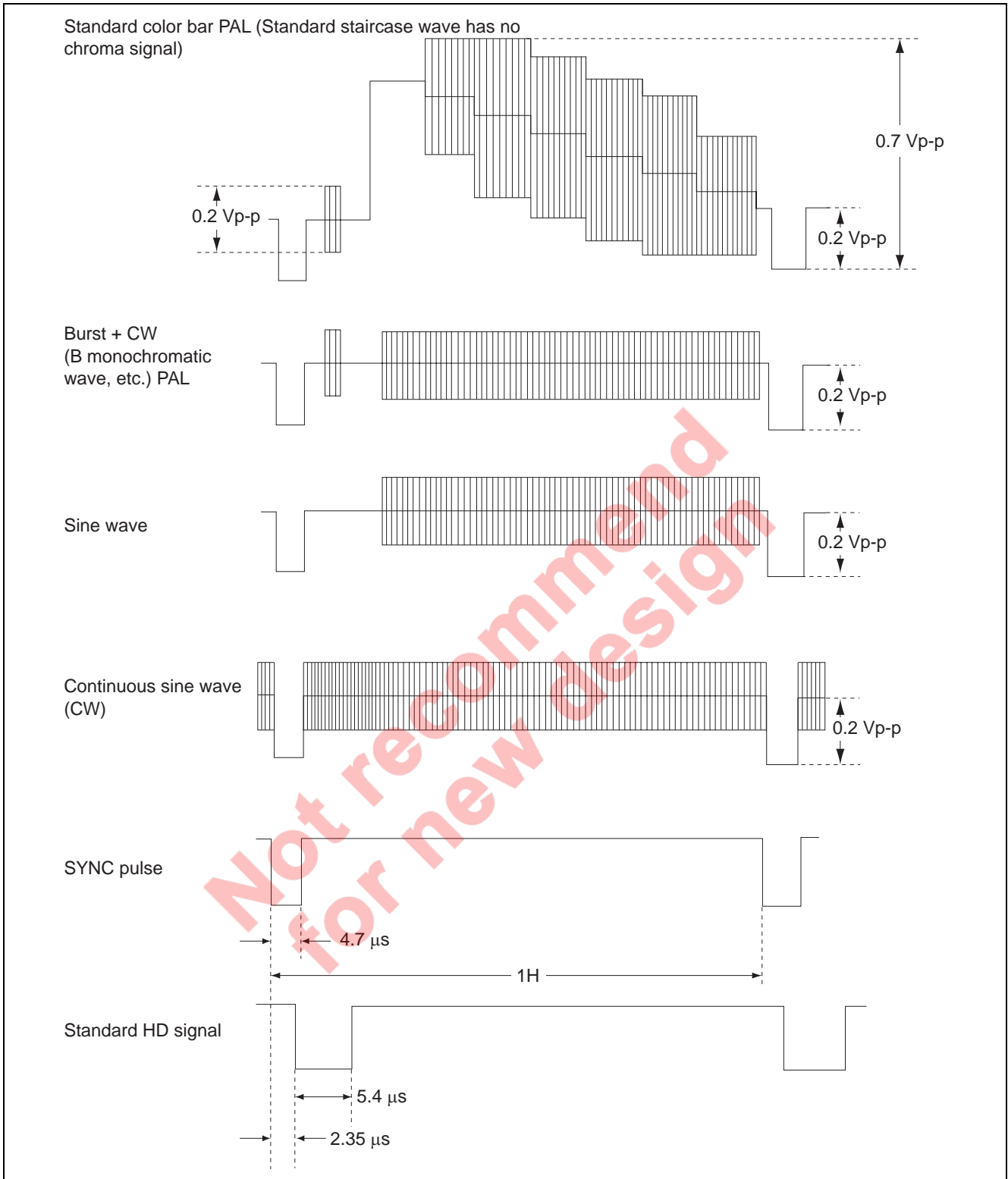
(Ta = 25°C, unless otherwise noted)

Item	Symbol	Min	Typ	Max	Unit	Test No	Test Conditions
Circuit current	I _{cc}	—	17	21	mA	1	Input standard color bar signal of V _{CC} = 4 V.
SYNC SEP section							
SYNC tip voltage	V _{sync 1}	2.20	2.30	2.40	V	2	Measure each output signal SYNC tip voltage at pins (1), (7) when standard color bar signal of 0.7 Vp-p is input.
	V _{sync 7}	1.25	1.40	1.50			
SYNC output amplitude	V _{sync H}	2.7	3.1	3.4	Vp-p	3	Input only SYNC pulse of pulse width 4.7 μs to pin (1). Measure the output amplitude at pin (4) when the input SYNC pulse amplitudes are 0.2 and 0.05 Vp-p.
	V _{sync L}	2.7	3.1	3.4			
SYNC output pulse width	T _{sync H}	3.7	4.7	5.7	μs	4	Input only SYNC pulse of pulse width 4.7 μs to pin (1). Measure the output amplitude at pin (4) when the input SYNC pulse amplitudes are 0.2 and 0.05 Vp-p.
	T _{sync L}	3.7	4.7	5.7			
SYNC output pulse delay	D _{sync H}	3.7	4.7	6.0	μs	5	Input only SYNC pulse of pulse width 4.7 μs to pin (1). Measure the pulse width + delay time when the input SYNC pulse amplitudes are 0.2 and 0.05 Vp-p.
	D _{sync L}	3.7	4.7	6.0			
Video section							
YLPF frequency characteristics (Pin (7))	YLPF (L)	1.45	1.55	—	MHz	6	Measure the frequency at which the sine wave output amplitude is -3 dB when the input signal ( 0.2 Vp-p) 0.2 Vp-p is input. Also measure the output gain at input sine wave 3.58 MHz.
	YLPF (H)	-30	-24	-21	dB		
YLPF frequency characteristics (through mode)	YLPF through	5.0	7.0	10.0	MHz	7	Measure the frequency at which the sine wave output amplitude is -3 dB when the input signal ( 0.2 Vp-p) 0.2 Vp-p is input, and V16 is 4.0 V _{PC} input.
Maximum output	Y _{max}	1.1	1.7	1.7	Vp-p	7	Input standard staircase wave of 0.7 Vp-p. Measure the output amplitude at pin (12) when V9 is 0 V.
Video amplifier gain	GY _{max}	4.0	6.0	8.0	dB	8	Input standard staircase wave of 0.7 Vp-p. Calculate the ratio between the output amplitude at pin (12) and input amplitude when V9 is 1.7 V.
Contrast control characteristics	Y _{ctrast} (1)	1.20	2.45	4.50	dB	9	Input standard staircase wave of 0.7 Vp-p, and calculate the ratio of the input amplitude to the output amplitude in Test No.8 above when V9 is changed 1 V, 2.5 V and 3.5 V.
	Y _{ctrast} (2, 5)	-7.3	-5.0	-2.7			
	Y _{ctrast} (3, 5)	—	-30	-17			
PIX control characteristics	XPIX (4)	-3.5	-2.0	-0.5	dB	10	Input 1.5 MHz sine wave of 0.2 Vp-p to the input. Measure each output amplitude at pin (12) when V9 is 1.7 V, and V14 is changed to 2, 4 and 0 V and calculate the ratio between the input amplitude and the output amplitude when V14 = 2 V.
	XPIX (0)	10.0	12.0	14.0	dB		
Y AMP gain	GY _{amp}	9.1	11.0	12.6	dB	11	Input standard staircase wave of 0.7 Vp-p and calculate the ratio between the output amplitude at pin (8) and input amplitude.
PED offset level	V _{ped}	0.00	0.05	0.06	—	12	With input SYNC pulse at 0.2 Vp-p, measure pin (12) output pedestal offset, and calculate ratio of the offset to that when 0.7 Vp-p standard staircase is input.

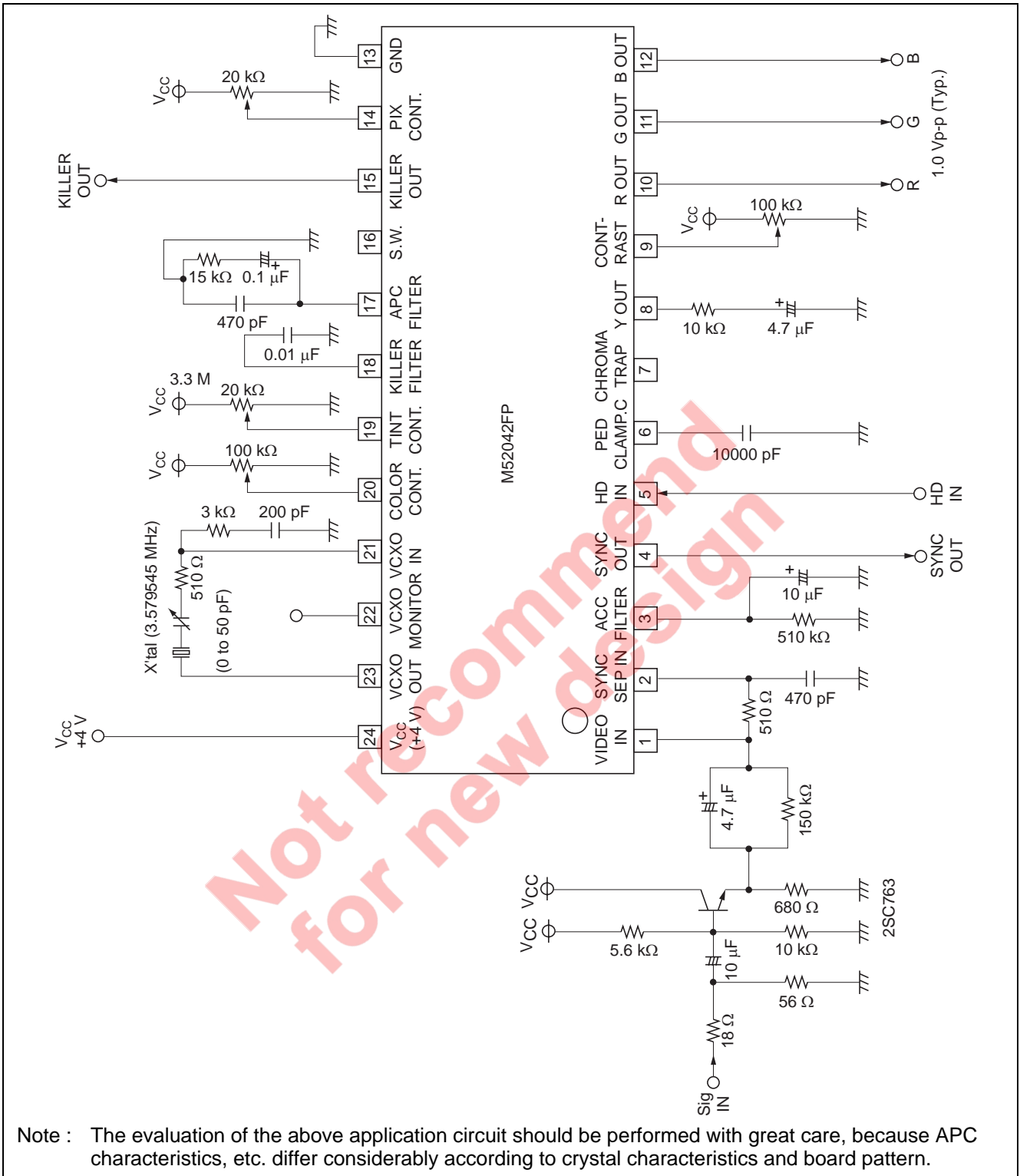
Electrical Characteristics (cont.)

Item	Symbol	Min	Typ	Max	Unit	Test No	Test Conditions
Chroma section							
Acc control characteristics	Cacc (+4)	0	0.7	1.5	dB	14	Input burst 0.2 Vp-p + CW 4.33 MHz shall be 0 dB. Measure the output at pin (12) when the input is changed to +4 dB and -20 dB, and calculate the ratio of the measured amplitude to the output amplitude at 0 dB.
	Cacc (-20)	-6.0	-2.0	0			
Killer operation	Ckilor	-53	-49	-43	dB	15	Input a chroma signal of 0.2 Vp-p to the input. Reduce the amplitude and measure the amplitude ratio when the voltage at pin (15) exceeds 2.5 V.
Color control characteristics	Cast (4)	2	2.2	4.5	dB	16	Input burst 0.2 Vp-p + CW 4.33 MHz, change V20 to 2 V, 4 V, 3 V, 1 V and 0.5 V to measure each output (100 kHz beat) amplitude at pin (12), and calculate the ratio between the measured amplitude and the output amplitude at V20 = 1 V.
	Cast (3)	1.5	2.0	4.0			
	Cast (1)	-8.5	-6	-4			
	Cast (0, 5)	-17	-13	-10			
APC pull-in range	Δf_{apc}	+400	+600	—	Hz	17	Input only SYNC, and after adjusting free run, input 0.2 Vp-p CW (), then change the frequency. Measure the frequency when VCXO oscillator is placed in a locked condition from the free-run condition.
		—	-300	-200			
B demodulator sensitivity	DB	0.8	1.2	1.6	Vp-p	18	Input CW 4.33 MHz of 0.2 Vp-p to the input, and measure the output amplitude at pin (12) when V20 = 1 V.
Demodulated output voltage ratio	R (R/B)	0.46	0.52	0.60	—	19	Input CW 4.33 MHz of 0.2 Vp-p to the input, measure the output amplitude at pins (10), (11) when V20 = 1 V, and calculate the ratio of the measured amplitude to the output amplitude in Test No.18 above.
	R (G/B)	0.20	0.30	0.40			
Killer output voltage H	Vkiller H	2.5	3.2	—	V	21	Measure DC voltage at pin (15) when 0 V and 4 V are applied to pin (18).
Killer output voltage L	Vkiller L	—	0.20	0.40			
TINT control variance	T	75	85	100	deg	22	Input a chroma signal of 0.4 Vp-p to the input, and measure the phase variance at pin (12) when 0 V and 4 V are applied to V19.
TINT control characteristics	Topen	-5	+5	+15	deg	23	Apply B monochromatic wave, (variable phase) 0.4 Vp-p and burst 0.2 Vp-p to the input. Measure the input phase in which the output at pin (12) becomes maximum with V19 open as burst phase -180 degrees.
	Tmin	-55	40	-25	deg		Apply B monochromatic wave (variable phase) 0.4 Vp-p and burst 0.2 Vp-p to the input. Measure the input phase in which the output at pin (12) becomes "maximum" when V19 is 0 V and 4 V as burst phase -180 degrees.
	Tmax	+30	-40	+60			
HD for chroma delay	Dhd	—	2.0	2.2	μs	24	Apply B monochromatic wave 0.4 Vp-p and burst 0.2 Vp-p to the input. Measure the delay time from HD pulse rise to the chroma rise of pin (12) output.

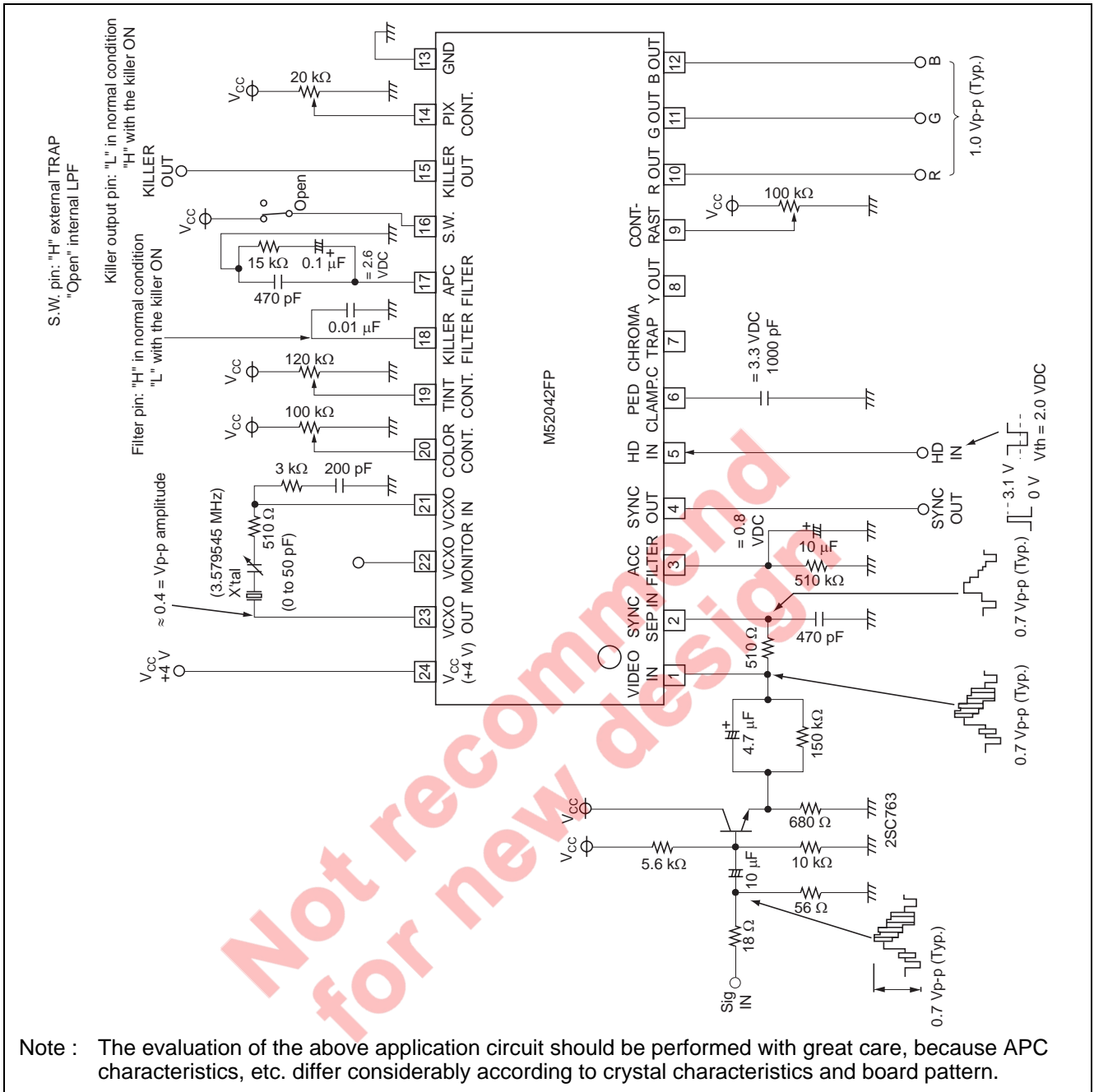
Input Signal



Test Circuit



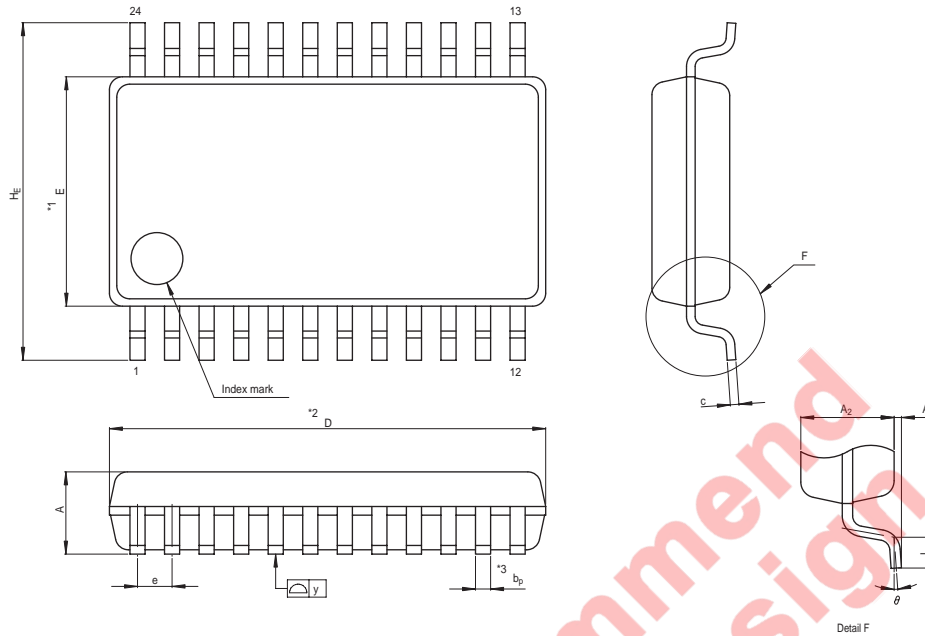
Application Example



Note : The evaluation of the above application circuit should be performed with great care, because APC characteristics, etc. differ considerably according to crystal characteristics and board pattern.

Package Dimensions

JEITA Package Code	RENESAS Code	Previous Code	MASS[Typ.]
P-SSOP24-5.3x10.1-0.80	PRSP0024GA-A	24P2Q-A	0.2g



NOTE)
 1. DIMENSIONS **1" AND **2"
 DO NOT INCLUDE MOLD FLASH.
 2. DIMENSION **3" DOES NOT
 INCLUDE TRIM OFFSET.

Reference Symbol	Dimension in Millimeters		
	Min	Nom	Max
D	10.0	10.1	10.2
E	5.2	5.3	5.4
A ₂	—	1.8	—
A	—	—	2.1
A ₁	0	0.1	0.2
b _p	0.3	0.35	0.45
c	0.18	0.2	0.25
θ	0°	—	8°
H _E	7.5	7.8	8.1
e	0.65	0.8	0.95
y	—	—	0.10
L	0.4	0.6	0.8

Not recommended for new design

Notes:

1. This document is provided for reference purposes only so that Renesas customers may select the appropriate Renesas products for their use. Renesas neither makes warranties or representations with respect to the accuracy or completeness of the information contained in this document nor grants any license to any intellectual property rights or any other rights of Renesas or any third party with respect to the information in this document.
2. Renesas shall have no liability for damages or infringement of any intellectual property or other rights arising out of the use of any information in this document, including, but not limited to, product data, diagrams, charts, programs, algorithms, and application circuit examples.
3. You should not use the products or the technology described in this document for the purpose of military applications such as the development of weapons of mass destruction or for the purpose of any other military use. When exporting the products or technology described herein, you should follow the applicable export control laws and regulations, and procedures required by such laws and regulations.
4. All information included in this document such as product data, diagrams, charts, programs, algorithms, and application circuit examples, is current as of the date this document is issued. Such information, however, is subject to change without any prior notice. Before purchasing or using any Renesas products listed in this document, please confirm the latest product information with a Renesas sales office. Also, please pay regular and careful attention to additional and different information to be disclosed by Renesas such as that disclosed through our website. (<http://www.renesas.com>)
5. Renesas has used reasonable care in compiling the information included in this document, but Renesas assumes no liability whatsoever for any damages incurred as a result of errors or omissions in the information included in this document.
6. When using or otherwise relying on the information in this document, you should evaluate the information in light of the total system before deciding about the applicability of such information to the intended application. Renesas makes no representations, warranties or guarantees regarding the suitability of its products for any particular application and specifically disclaims any liability arising out of the application and use of the information in this document or Renesas products.
7. With the exception of products specified by Renesas as suitable for automobile applications, Renesas products are not designed, manufactured or tested for applications or otherwise in systems the failure or malfunction of which may cause a direct threat to human life or create a risk of human injury or which require especially high quality and reliability such as safety systems, or equipment or systems for transportation and traffic, healthcare, combustion control, aerospace and aeronautics, nuclear power, or undersea communication transmission. If you are considering the use of our products for such purposes, please contact a Renesas sales office beforehand. Renesas shall have no liability for damages arising out of the uses set forth above.
8. Notwithstanding the preceding paragraph, you should not use Renesas products for the purposes listed below:
 - (1) artificial life support devices or systems
 - (2) surgical implantations
 - (3) healthcare intervention (e.g., excision, administration of medication, etc.)
 - (4) any other purposes that pose a direct threat to human lifeRenesas shall have no liability for damages arising out of the uses set forth in the above and purchasers who elect to use Renesas products in any of the foregoing applications shall indemnify and hold harmless Renesas Technology Corp., its affiliated companies and their officers, directors, and employees against any and all damages arising out of such applications.
9. You should use the products described herein within the range specified by Renesas, especially with respect to the maximum rating, operating supply voltage range, movement power voltage range, heat radiation characteristics, installation and other product characteristics. Renesas shall have no liability for malfunctions or damages arising out of the use of Renesas products beyond such specified ranges.
10. Although Renesas endeavors to improve the quality and reliability of its products, IC products have specific characteristics such as the occurrence of failure at a certain rate and malfunctions under certain use conditions. Please be sure to implement safety measures to guard against the possibility of physical injury, and injury or damage caused by fire in the event of the failure of a Renesas product, such as safety design for hardware and software including but not limited to redundancy, fire control and malfunction prevention, appropriate treatment for aging degradation or any other applicable measures. Among others, since the evaluation of microcomputer software alone is very difficult, please evaluate the safety of the final products or system manufactured by you.
11. In case Renesas products listed in this document are detached from the products to which the Renesas products are attached or affixed, the risk of accident such as swallowing by infants and small children is very high. You should implement safety measures so that Renesas products may not be easily detached from your products. Renesas shall have no liability for damages arising out of such detachment.
12. This document may not be reproduced or duplicated, in any form, in whole or in part, without prior written approval from Renesas.
13. Please contact a Renesas sales office if you have any questions regarding the information contained in this document, Renesas semiconductor products, or if you have any other inquiries.



RENESAS SALES OFFICES

<http://www.renesas.com>

Refer to "<http://www.renesas.com/en/network>" for the latest and detailed information.

Renesas Technology America, Inc.
450 Holger Way, San Jose, CA 95134-1368, U.S.A
Tel: <1> (408) 382-7500, Fax: <1> (408) 382-7501

Renesas Technology Europe Limited
Dukes Meadow, Millboard Road, Bourne End, Buckinghamshire, SL8 5FH, U.K.
Tel: <44> (1628) 585-100, Fax: <44> (1628) 585-900

Renesas Technology (Shanghai) Co., Ltd.
Unit 204, 205, AZIACenter, No.1233 Lujiazui Ring Rd, Pudong District, Shanghai, China 200120
Tel: <86> (21) 5877-1818, Fax: <86> (21) 6887-7858/7898

Renesas Technology Hong Kong Ltd.
7th Floor, North Tower, World Finance Centre, Harbour City, Canton Road, Tsimshatsui, Kowloon, Hong Kong
Tel: <852> 2265-6688, Fax: <852> 2377-3473

Renesas Technology Taiwan Co., Ltd.
10th Floor, No.99, Fushing North Road, Taipei, Taiwan
Tel: <886> (2) 2715-2888, Fax: <886> (2) 3518-3399

Renesas Technology Singapore Pte. Ltd.
1 Harbour Front Avenue, #06-10, Keppel Bay Tower, Singapore 098632
Tel: <65> 6213-0200, Fax: <65> 6278-8001

Renesas Technology Korea Co., Ltd.
Kukje Center Bldg. 18th Fl., 191, 2-ka, Hangang-ro, Yongsan-ku, Seoul 140-702, Korea
Tel: <82> (2) 796-3115, Fax: <82> (2) 796-2145

Renesas Technology Malaysia Sdn. Bhd
Unit 906, Block B, Menara Amcorp, Amcorp Trade Centre, No.18, Jln Persiaran Barat, 46050 Petaling Jaya, Selangor Darul Ehsan, Malaysia
Tel: <603> 7955-9390, Fax: <603> 7955-9510