

To our customers,

Old Company Name in Catalogs and Other Documents

On April 1st, 2010, NEC Electronics Corporation merged with Renesas Technology Corporation, and Renesas Electronics Corporation took over all the business of both companies. Therefore, although the old company name remains in this document, it is a valid Renesas Electronics document. We appreciate your understanding.

Renesas Electronics website: <http://www.renesas.com>

April 1st, 2010
Renesas Electronics Corporation

Issued by: Renesas Electronics Corporation (<http://www.renesas.com>)

Send any inquiries to <http://www.renesas.com/inquiry>.

Notice

1. All information included in this document is current as of the date this document is issued. Such information, however, is subject to change without any prior notice. Before purchasing or using any Renesas Electronics products listed herein, please confirm the latest product information with a Renesas Electronics sales office. Also, please pay regular and careful attention to additional and different information to be disclosed by Renesas Electronics such as that disclosed through our website.
2. Renesas Electronics does not assume any liability for infringement of patents, copyrights, or other intellectual property rights of third parties by or arising from the use of Renesas Electronics products or technical information described in this document. No license, express, implied or otherwise, is granted hereby under any patents, copyrights or other intellectual property rights of Renesas Electronics or others.
3. You should not alter, modify, copy, or otherwise misappropriate any Renesas Electronics product, whether in whole or in part.
4. Descriptions of circuits, software and other related information in this document are provided only to illustrate the operation of semiconductor products and application examples. You are fully responsible for the incorporation of these circuits, software, and information in the design of your equipment. Renesas Electronics assumes no responsibility for any losses incurred by you or third parties arising from the use of these circuits, software, or information.
5. When exporting the products or technology described in this document, you should comply with the applicable export control laws and regulations and follow the procedures required by such laws and regulations. You should not use Renesas Electronics products or the technology described in this document for any purpose relating to military applications or use by the military, including but not limited to the development of weapons of mass destruction. Renesas Electronics products and technology may not be used for or incorporated into any products or systems whose manufacture, use, or sale is prohibited under any applicable domestic or foreign laws or regulations.
6. Renesas Electronics has used reasonable care in preparing the information included in this document, but Renesas Electronics does not warrant that such information is error free. Renesas Electronics assumes no liability whatsoever for any damages incurred by you resulting from errors in or omissions from the information included herein.
7. Renesas Electronics products are classified according to the following three quality grades: “Standard”, “High Quality”, and “Specific”. The recommended applications for each Renesas Electronics product depends on the product’s quality grade, as indicated below. You must check the quality grade of each Renesas Electronics product before using it in a particular application. You may not use any Renesas Electronics product for any application categorized as “Specific” without the prior written consent of Renesas Electronics. Further, you may not use any Renesas Electronics product for any application for which it is not intended without the prior written consent of Renesas Electronics. Renesas Electronics shall not be in any way liable for any damages or losses incurred by you or third parties arising from the use of any Renesas Electronics product for an application categorized as “Specific” or for which the product is not intended where you have failed to obtain the prior written consent of Renesas Electronics. The quality grade of each Renesas Electronics product is “Standard” unless otherwise expressly specified in a Renesas Electronics data sheets or data books, etc.
 - “Standard”: Computers; office equipment; communications equipment; test and measurement equipment; audio and visual equipment; home electronic appliances; machine tools; personal electronic equipment; and industrial robots.
 - “High Quality”: Transportation equipment (automobiles, trains, ships, etc.); traffic control systems; anti-disaster systems; anti-crime systems; safety equipment; and medical equipment not specifically designed for life support.
 - “Specific”: Aircraft; aerospace equipment; submersible repeaters; nuclear reactor control systems; medical equipment or systems for life support (e.g. artificial life support devices or systems), surgical implantations, or healthcare intervention (e.g. excision, etc.), and any other applications or purposes that pose a direct threat to human life.
8. You should use the Renesas Electronics products described in this document within the range specified by Renesas Electronics, especially with respect to the maximum rating, operating supply voltage range, movement power voltage range, heat radiation characteristics, installation and other product characteristics. Renesas Electronics shall have no liability for malfunctions or damages arising out of the use of Renesas Electronics products beyond such specified ranges.
9. Although Renesas Electronics endeavors to improve the quality and reliability of its products, semiconductor products have specific characteristics such as the occurrence of failure at a certain rate and malfunctions under certain use conditions. Further, Renesas Electronics products are not subject to radiation resistance design. Please be sure to implement safety measures to guard them against the possibility of physical injury, and injury or damage caused by fire in the event of the failure of a Renesas Electronics product, such as safety design for hardware and software including but not limited to redundancy, fire control and malfunction prevention, appropriate treatment for aging degradation or any other appropriate measures. Because the evaluation of microcomputer software alone is very difficult, please evaluate the safety of the final products or system manufactured by you.
10. Please contact a Renesas Electronics sales office for details as to environmental matters such as the environmental compatibility of each Renesas Electronics product. Please use Renesas Electronics products in compliance with all applicable laws and regulations that regulate the inclusion or use of controlled substances, including without limitation, the EU RoHS Directive. Renesas Electronics assumes no liability for damages or losses occurring as a result of your noncompliance with applicable laws and regulations.
11. This document may not be reproduced or duplicated, in any form, in whole or in part, without prior written consent of Renesas Electronics.
12. Please contact a Renesas Electronics sales office if you have any questions regarding the information contained in this document or Renesas Electronics products, or if you have any other inquiries.

(Note 1) “Renesas Electronics” as used in this document means Renesas Electronics Corporation and also includes its majority-owned subsidiaries.

(Note 2) “Renesas Electronics product(s)” means any product developed or manufactured by or for Renesas Electronics.

To all our customers

Regarding the change of names mentioned in the document, such as Mitsubishi Electric and Mitsubishi XX, to Renesas Technology Corp.

The semiconductor operations of Hitachi and Mitsubishi Electric were transferred to Renesas Technology Corporation on April 1st 2003. These operations include microcomputer, logic, analog and discrete devices, and memory chips other than DRAMs (flash memory, SRAMs etc.) Accordingly, although Mitsubishi Electric, Mitsubishi Electric Corporation, Mitsubishi Semiconductors, and other Mitsubishi brand names are mentioned in the document, these names have in fact all been changed to Renesas Technology Corp. Thank you for your understanding. Except for our corporate trademark, logo and corporate statement, no changes whatsoever have been made to the contents of the document, and these changes do not constitute any alteration to the contents of the document itself.

Note : Mitsubishi Electric will continue the business operations of high frequency & optical devices and power devices.

Renesas Technology Corp.
Customer Support Dept.
April 1, 2003

M51348FP/AFP

POCKET TV IF SYSTEM

DESCRIPTION

The M51348 is a low supply voltage, low power semiconductor IC for compact TV sets which includes Video Intermediate Frequency (VIF), Sound Intermediate Frequency (SIF), and Synchronous Separation (Sync. Sep.) functions.

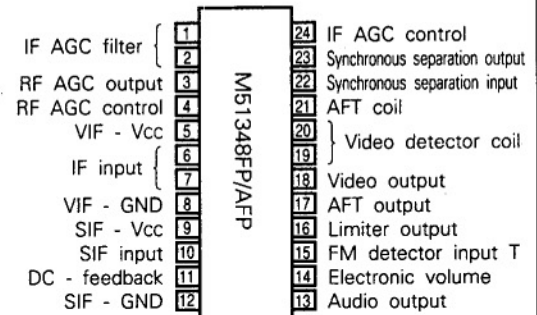
An IF amplifier, video detector (with simultaneous sound detector), IF AGC, RF AGC (forward type), AFT, SIF limiter amplifier, FM detector, electronic volume, and synchronous separation function are provided.

The package is of the 24-pin mini-flat type.

The M51348AFP has better DG and DP but less VIF input sensitivity than the M51348FP.

FEATURES

- This IC can be used with very low supply voltage and low power and it comes in a mini-flat package to suit the compact TV or compact TV tuner.
Minimum operating power voltage3V
Consuming current
.....16mA(when used with 4.5V supply voltage)
- Current automatically decreases to ensure power saving when a strong signal is received, when the AFT is not in use, i.e., when mute switch is ON, and when the electronic volume control is at its lowest.
- There are separate GND pins for the VIF/Sync. Sep. circuit and for the SIF circuit so that cross-interference is reduced.
- It is possible to adjust the video detector output amplitude by controlling the 24-pin voltage externally.

PIN CONFIGURATION (TOP VIEW)

Outline 24P2-C

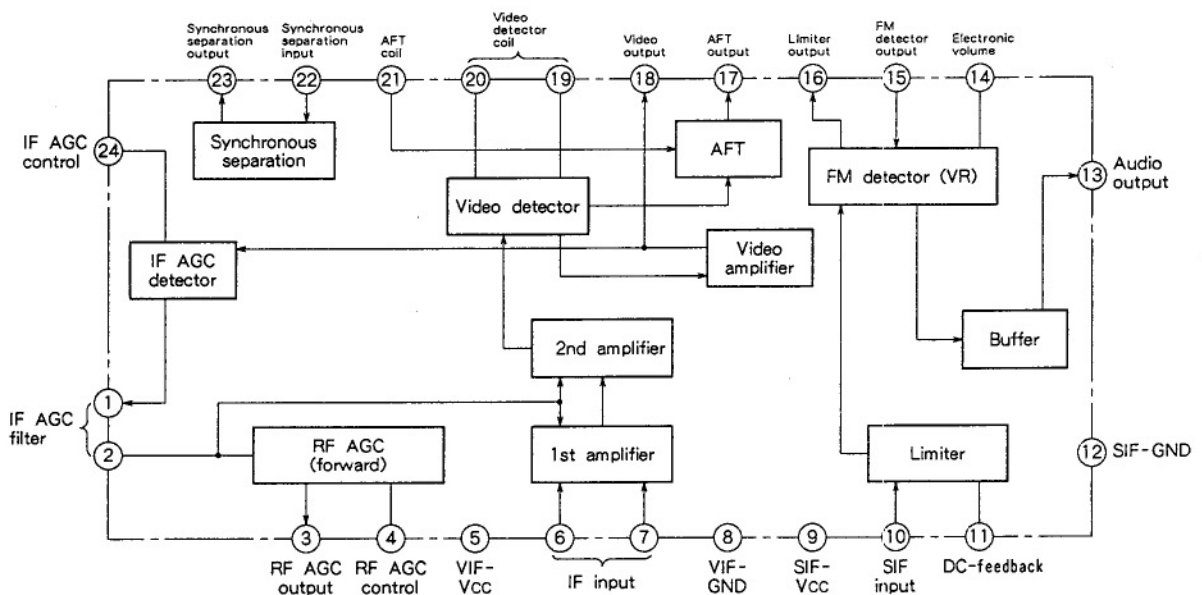
- The AGC works fast because of the 2-stage AGC filter. AGC has high stability against outside noise due to the AGC noise canceller.
- Emitter input circuit is used in Sync. Sep. Output is taken from the Sync. positive polarity.

APPLICATION

Portable B/W, color TV

RECOMMENDED OPERATING CONDITIONS

Supply voltage range3.0~6.0V
Rated supply voltage4.5V

BLOCK DIAGRAM

M51348FP/AFP

POCKET TV IF SYSTEM

ABSOLUTE MAXIMUM RATINGS

Symbol	Parameter	Rated	Unit
V _{cc} (5)	Supply Voltage (1)	7.5	V
V _{cc} (9)	Supply Voltage (2)	7.5	V
P _d	Power Dissipation	500	mW
T _{opr}	Operating Temperature	-20~75	°C
T _{stg}	Storage Temperature	-40~125	°C

ELECTRICAL CHARACTERISTICS (T_a = 25°C, unless otherwise noted)

VIF SECTION

Symbol	Parameter	Test point	Input	Test conditions	Limits			Unit
					Min.	Typ.	Max.	
I _{vif}	Circuit current	⑤	SG1 90dB μ	Input current with 4.5V in ⑤	9	13.5	18	mA
V _{o det}	Video detector output	⑱	SG1 90dB μ	Output amplitude	0.7	0.9	1.1	V _{P-P}
V _{in min}	Input sensitivity	⑱	SG1 Variable	Input level when output amplitude reaches 3 dB less than V _{o det} .		45 (48)	50 (55)	dB μ
V _{in max}	Maximum allowable input	⑱	SG1 Variable	Input level when output amplitude reaches 3 dB more than V _{o det} .	90 (95)	109 (114)		dB μ
BW	Video frequency characteristic	⑱	SG2	BW is defined as f ₁ -f ₂ when output amplitude reaches -3 dB less than that when f ₁ -f ₂ = 1MHz.	6	7		MHz
V _{3H}	RF AGC maximum voltage	③	SG4 90dB μ	Output DC voltage with 4.5V in ④	3.2	3.7		V _{O-P}
V _{3L}	RF AGC minimum voltage	③	SG4 90dB μ	Output DC voltage with 2V in ④		0	0.2	V _{O-P}
μ	AFT detector sensitivity	⑰	SG5 90dB μ		30	42		mV/kHz
V _{M17}	DC voltage at AFT mute ON	⑰	SG5 90dB μ	Output DC voltage with 0V in ⑳	2	2.25	2.5	V
V _{AC}	AFT center voltage	⑰		Output DC voltage with 0V in ⑳	0.5	1.4	2.5	V
V _{sync}	Sync. Sep. output voltage	㉓	SG1 90dB μ	Output amplitude	3.5	3.8	4.1	V _{P-P}
V _{OH det}	Video detector output at high or low voltage	⑱	SG1 90dB μ	Output amplitude with 6.0V or 3.0V in ⑤	0.95	1.25	1.55	V _{P-P}
V _{OL det}					0.35	0.6	0.85	

Note: () indicates value for the M51348AFP.

ELECTRICAL CHARACTERISTICS

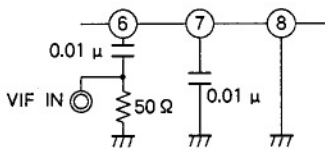
SIF SECTION

Symbol	Parameter	Test point	Input	Test conditions	Limits			Unit
					Min.	Typ.	Max.	
I _{sif}	Circuit current	⑨		Input current with 4.5V in ⑨	2.0	2.8	3.6	mA
V _{o AF}	Detector output voltage	⑬	SG6 90dB μ	Output amplitude	220	270	320	mVrms
V _{i min}	Input limiting sensitivity	⑬	SG6 Variable	Input level when input amplitude reaches -3dB below V _{o AF} .		35	49	dB μ
AMR	AM rejection ratio	⑬	SG7 90dB μ	AMR = 20 log, where V _{AM} denotes output amplitude. AMR = 20 log $\frac{(V_{o AF} (mVrms))}{(V_{AM} (mVrms))}$	40	60		dB
BW (s)	Bandwidth	⑬	SG8 90dB μ		100	130		kHz
VR1	Electronic volume control characteristic	⑬	SG6 90dB μ	Ratio of output amplitude and V _{o AF} when ⑩ is changed from 4.0V to 1.0V.	3.3	3.75	4.2	dB
VR2						-63	-52	dB
THD	Distortion	⑬	SG9 90dB μ	Measured by distortion meter		0.8	1.2	%
V _{OHAF}	Detector output voltage at high or low voltage	⑬	SG6 90dB μ	Output amplitude with 6.0V or 3.0V in ⑨	380	430	480	mVrms
V _{OLAF}						53	64	75

Note: O indicates measuring circuit.

PRECAUTIONS CONCERNING ELECTRICAL CHARACTERISTICS

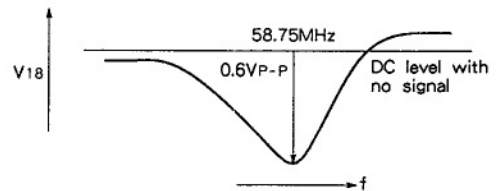
- Voltage supplied (pins ⑤ and ⑨) is 4.5V unless otherwise noted in the conditions column.
- VIF input amplitude (V_{in}) is the amplitude of VIF IN in the circuit below. Feed SG1 90dB μ signal into the circuit below, and measure the DC voltage V₂ at ②. Set the circuit for AC voltage measurement and adjust the input amplitude, monitoring DC voltage at ②, until it reaches the level of V₂. 90dB μ is defined as the input amplitude at that time.



- Input signals are shown below.
 - SG1 f₀=58.75MHz f_m=20kHz 77.8%AM
 - SG2 f₁=58.75MHz V_i=90dB μ CW } mixed signal
 - f₂=53 \pm 5MHz V_i=70dB μ CW }
 - SG3 f₀=58.75MHz LINEARITY 10step signal (87.5%Video modulation)
 - SG4 f₀=58.75MHz CW
 - SG5 f₀=58.75 \pm 5MHz CW (Sweep)
 - SG6 f₀=4.5MHz FM25kHz dev f_m=400Hz

- SG7 f₀=4.5MHz AM30% f_m=400Hz
- SG8 f₀=4.5MHz \pm 200kHz FM7.5kHz dev f_m=400Hz
- SG9 f₀=4.5MHz FM7.5kHz dev f_m=400Hz

- Adjustment of LLD coil
 - Feed SG5 V_i=90dB μ into VIF IN.
 - AFT coil must be shifted to detuned condition.
 - Feed outside voltage to ② and check tank response at ⑩ as shown in the figure below.
 - Adjust LLD coil so that peak comes at 58.75MHz.

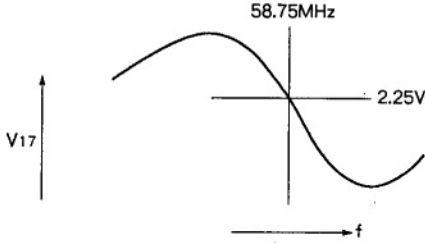


M51348FP/AFP

POCKET TV IF SYSTEM

5. Adjustment of AFT coil

- 1) Feed SG5 $V_i=90\text{dB}\mu$ in VIF IN.
- 2) Measure the voltage at pin ⑰ and adjust AFT coil as shown in the figure below.

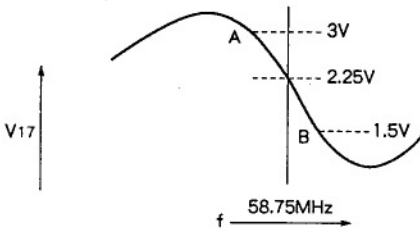


BW(s): Bandwidth "BW(s)"

First, define $V_{O\text{DET}}\text{ FM}$ as the output amplitude when the signal $f_0=4.5\text{MHz}$, $f_m=400\text{Hz}$ and $f_{\text{dev}}=\pm 7.5\text{kHz}$ is given to SIF IN.

Second, decrease and increase the frequency f_0 until the output amplitude reaches -3dB than $V_{O\text{DET}}\text{ FM}$. These are defined as f_{0L} and f_{0H} , respectively. Bandwidth is defined as $\text{BW}(s)=f_{0H}-f_{0L}$.

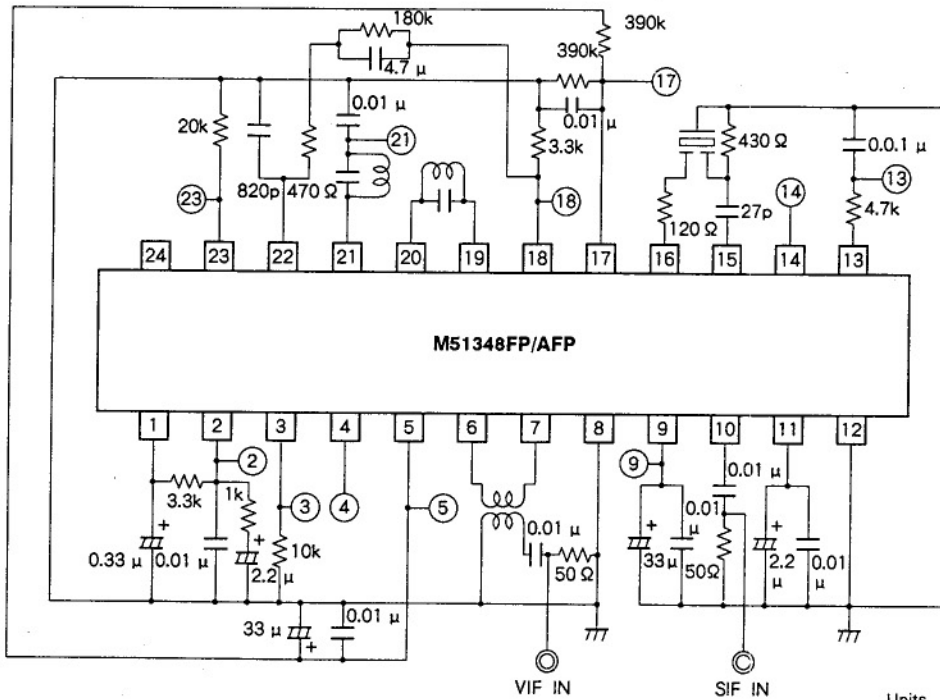
μ : AFT detector sensitivity " μ "



$$\mu = \frac{1500\text{mV}}{f_B(\text{kHz}) - f_A(\text{kHz})}$$

where f_A denotes a frequency at A and f_B at B.

TEST CIRCUIT

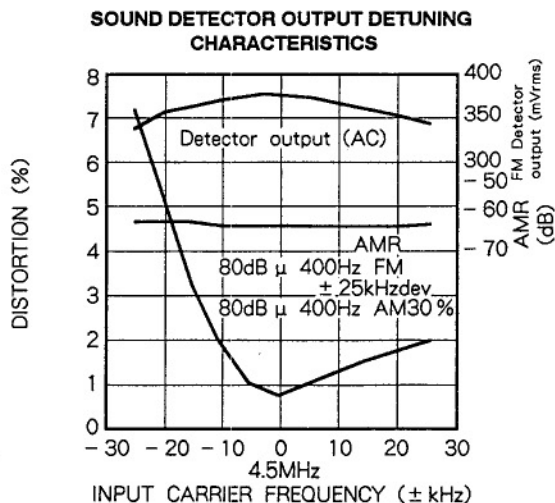
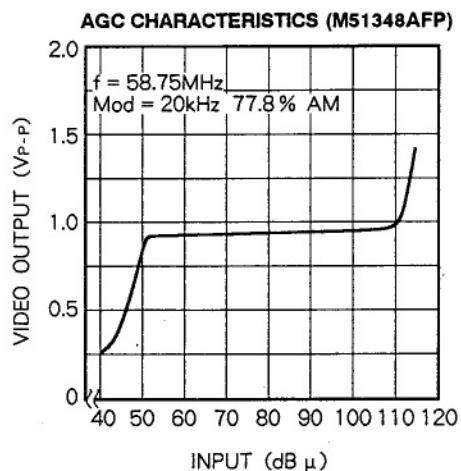
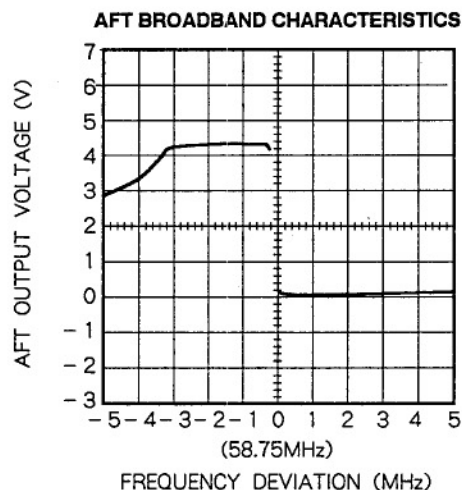
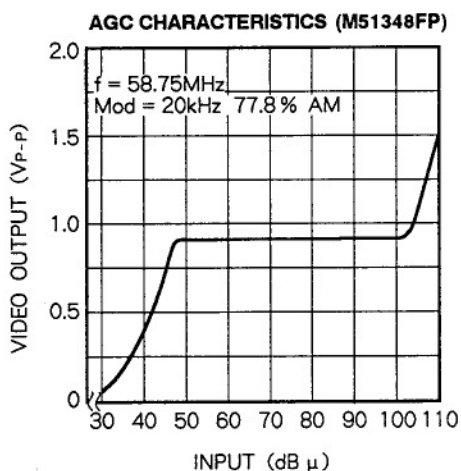
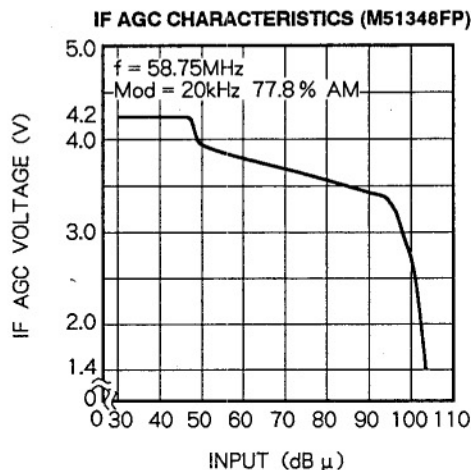
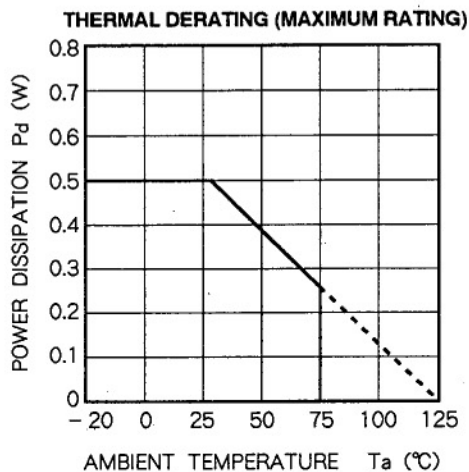


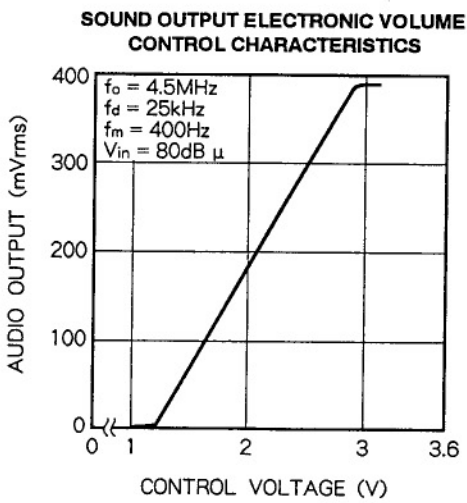
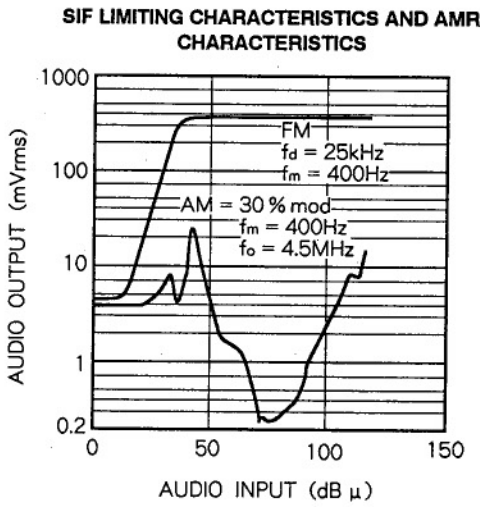
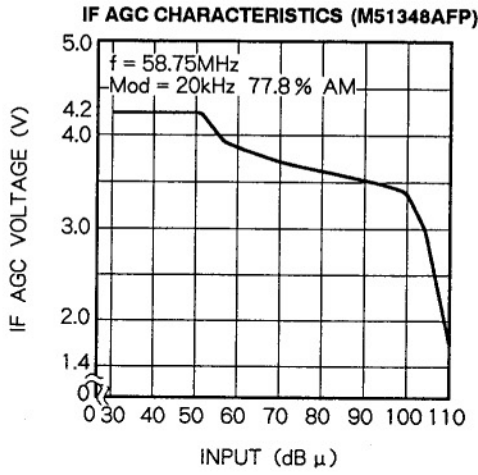
Units Resistance: Ω
Capacitance: F

M51348FP/AFP

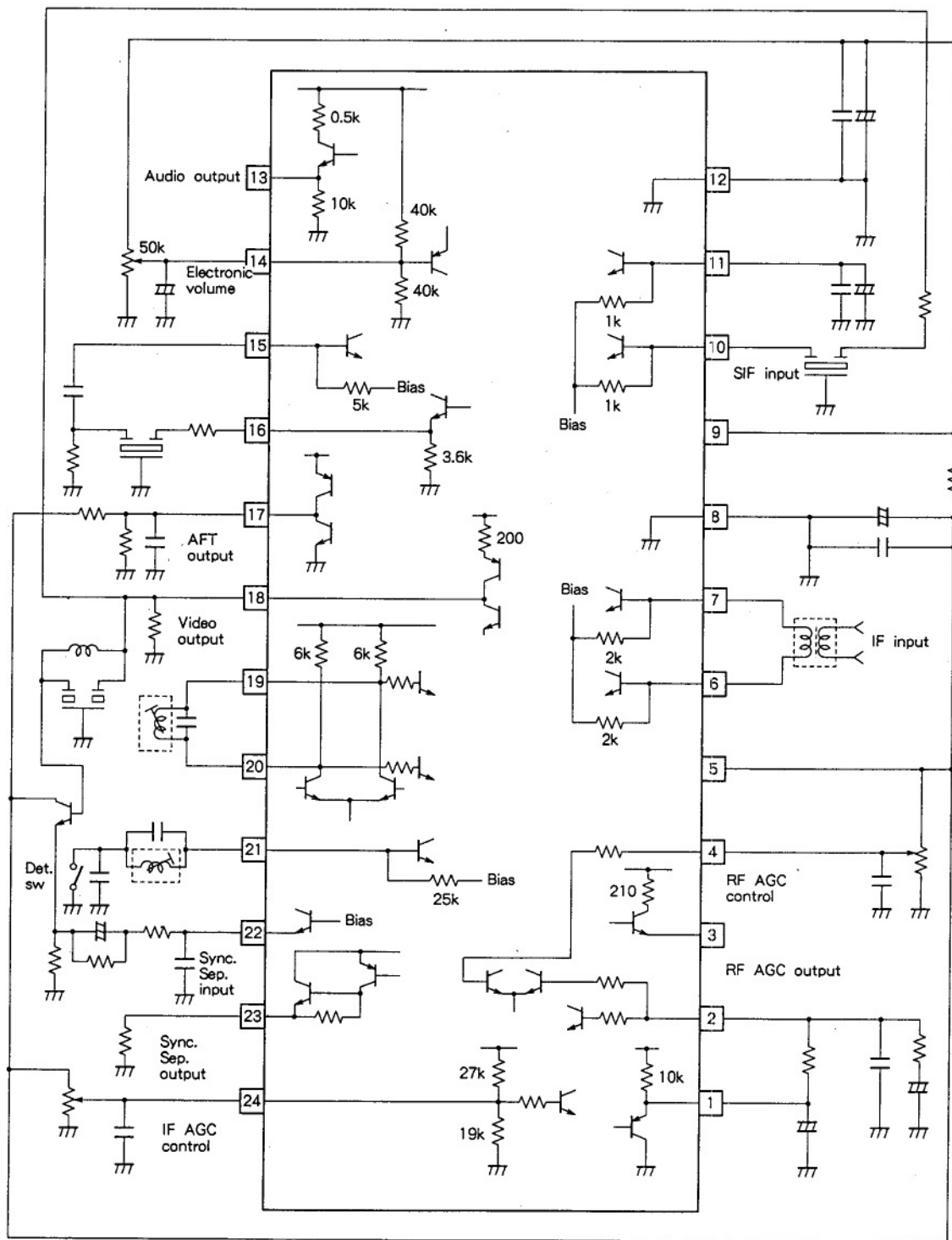
POCKET TV IF SYSTEM

TYPICAL CHARACTERISTICS





DESCRIPTION OF PIN



Units Resistance: Ω
Capacitance: F

PRECAUTIONS FOR APPLICATION

1. Operating supply voltage

This IC can be used with 3~6V. Within this range, the higher the supply voltage is, the greater the current dissipation is and the higher the performance is. However, VIF input sensitivity reaches a high level with high Vcc, so care must be taken with amplifier oscillation. Separate power supplies may be used for VIF and SIF..

2. AFT operation

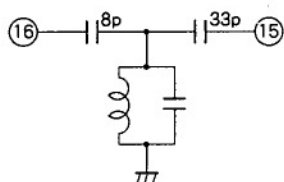
The AFT coil pin should be grounded (Pin 2) if AFT circuit is not in use. This reduces current dissipation of the AFT block.

3. IF AGC control (Pin 24)

This pin has 0.9V_{P-P} voltage with no connection. The lower the outside voltage to Pin 24 is, the higher the detector output becomes.

4. FM detector circuit (Pin 15, 16)

The following circuit is recommended if a coil is used.



5. Electronic volume control (Pin 14)

This pin has Vcc/2 voltage inside. Detector output and circuit current change from max. to min. corresponding to outside voltage change from Vcc to 0V. Input Vcc or leave Pin 14 open when electronic volume control is not in use.

6. DG/DP

The M51348FP and AFP, and 10k coil and 5k coil types have standard differences as follows:

	10k coil (Q ≈ 72)	5k coil (Q ≈ 75)
M51348FP	15 % / 5deg	20 % / 7deg
M51348AFP	10 % / 4deg	7 % / 3deg

LLD, AFT Coil Example
 5k 4turn 47pF Q≈75