

## ISL23710

Volatile Digitally Controlled Potentiometer (XDCP™) Terminal Voltage ±3V or ±5V,  
128 Taps Up/Down Interface

FN6126  
Rev 0.00  
August 22, 2005

The Intersil ISL23710 is a digitally controlled potentiometer (XDCP). The device consists of a resistor array, wiper switches, and a control section. The wiper position is controlled by a Up/Down interface.

The potentiometer is implemented by a resistor array composed of 127 resistive elements and a wiper switching network. Between each element and at either end are tap points accessible to the wiper terminal. The position of the wiper element is controlled by the  $\overline{CS}$ ,  $U/\overline{D}$ , and  $\overline{INC}$  inputs. The wiper register is volatile and is reset to midscale on power up. The wiper position can be locked while powered up to prevent inadvertent changes.

The device can be used as a three-terminal potentiometer or as a two-terminal variable resistor in a wide variety of applications including:

- Industrial and Automotive Control
- Parameter and Bias Adjustments
- Amplifier Bias and Control

### Ordering Information

PART NUMBER (BRAND)	RESISTANCE OPTION ( $\Omega$ )	TEMP RANGE (°C)	PACKAGE	PKG. DWG. #
ISL23710WIU10Z (AOG) (Notes 1, 2)	10K	-40 to +85	10 Ld MSOP (Pb-Free)	M10.118
ISL23710UIU10Z (AOF) (Notes 1, 2)	50K	-40 to +85	10 Ld MSOP (Pb-Free)	M10.118

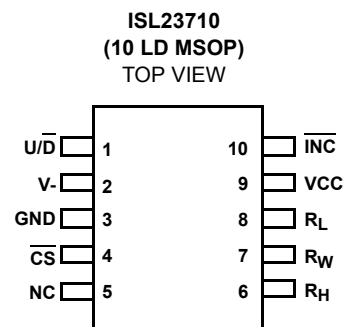
**NOTES:**

1. Add "-T" suffix for tape and reel.
2. Intersil Pb-free plus anneal products employ special Pb-free material sets; molding compounds/die attach materials and 100% matte tin plate termination finish, which are RoHS compliant and compatible with both SnPb and Pb-free soldering operations. Intersil Pb-free products are MSL classified at Pb-free peak reflow temperatures that meet or exceed the Pb-free requirements of IPC/JEDEC J STD-020.

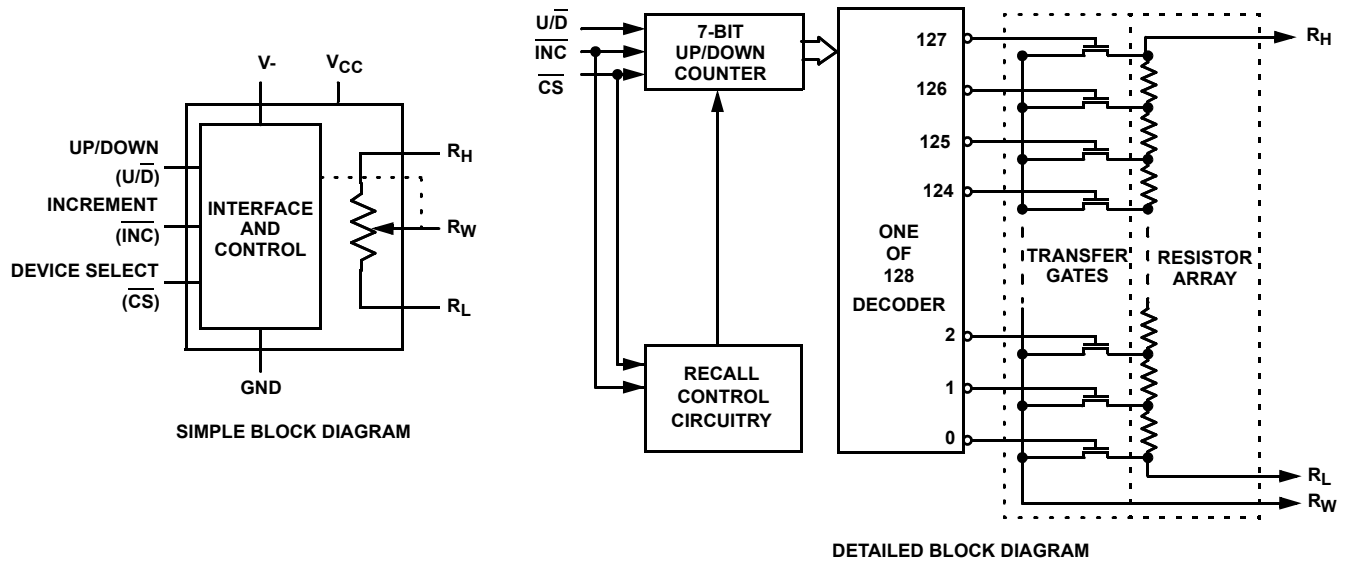
### Features

- Up/Down Interface with Chip Select Enable
- DCP Terminal Voltage from ±2.7V to ±5V
- 127 Resistive Elements
  - Typical  $R_{TOTAL}$  tempco ±50ppm/°C
  - Ratiometric tempco ±4ppm/°C
  - End to end resistance range ±20%
  - Wiper resistance = 70 $\Omega$  typ at  $V_{CC}$  = 3.3V
- Low Power CMOS
  - $V_-$  = -2.7V to -5.5V
  - $V_{CC}$  = 2.7V to 5.5V
  - Active current, 1mA max
  - Standby current, 500nA max
- $R_{TOTAL}$  Values = 10k $\Omega$ , 50k $\Omega$
- Volatile Wiper Storage with Wiper Locking
- Packages
  - 10 Ld MSOP
- Pb-Free Plus Anneal Available (RoHS Compliant)

### Pinout



**Block Diagram**



**Pin Descriptions**

PIN NUMBER	SYMBOL	DESCRIPTION
1	$\overline{U/D}$	Controls the direction of wiper movement and whether the counter is incremented or decremented.
2	V-	Negative supply voltage for the potentiometer wiper control.
3	GND	Ground. Should be connected to a digital ground.
4	$\overline{CS}$	Chip Select. The device is selected when the $\overline{CS}$ input is LOW.
5	NC	No Connect. Pin is to be left unconnected.
6	R <sub>H</sub>	A fixed terminal for one end of the potentiometer resistor.
7	R <sub>W</sub>	The wiper terminal which is equivalent to the movable terminal of a potentiometer.
8	R <sub>L</sub>	A fixed terminal for one end of the potentiometer resistor.
9	VCC	Positive logic supply voltage.
10	$\overline{INC}$	Increment input; negative edge triggered.

**Absolute Maximum Ratings**

Temperature Under Bias .....-65°C to +135°C  
 Storage Temperature .....-65°C to +150°C  
 Voltage on  $\overline{CS}$ ,  $\overline{INC}$ , U/D and  $V_{CC}$   
 with Respect to GND .....-0.3V to  $V_{CC}+0.3V$   
 Voltage on V- (Referenced to GND) .....-6V  
 $\Delta V = |V(RH)-V(RL)|$  ..... 12V  
 Lead Temperature (Soldering 10s) ..... 300°C  
 $I_W$  (10s) .....  $\pm 6mA$   
 $V_{CC}$  ..... -0.3V to 6V  
 $R_H, R_L, R_W$  ..... V- to  $V_{CC}$   
 ESD Rating (MIL-STD-883, Method 3015.7) ..... >2kV

**Thermal Information**

Thermal Resistance (Typical, Note 1)  $\theta_{JA}$  (°C/W)  
 MSOP Package ..... 170

**Recommended Operating Conditions**

Temperature Range (Industrial) .....-40°C to +85°C  
 $V_{CC}$  ..... 2.7V to 5.5V  
 V- .....-2.7V to -5.5V

*CAUTION: Stresses above those listed under "Absolute Maximum Ratings" may cause permanent damage to the device. This is a stress rating only; functional operation of the device (at these or any other conditions above those listed in the operational sections of this specification) is not implied. Exposure to absolute maximum rating conditions for extended periods may affect device reliability.*

**NOTE:**

1.  $\theta_{JA}$  is measured with the component mounted on a high effective thermal conductivity test board in free air. See Tech Brief TB379 for details.

**Analog Specifications** Over recommended operating conditions unless otherwise stated.

SYMBOL	PARAMETER	TEST CONDITIONS	MIN	TYP (Note 1)	MAX	UNIT
R <sub>TOTAL</sub>	R <sub>H</sub> to R <sub>L</sub> Resistance	W option		10		kΩ
		U option		50		kΩ
	R <sub>H</sub> to R <sub>L</sub> Resistance Tolerance		-20		+20	%
V <sub>RH</sub> , V <sub>RL</sub>	R <sub>H</sub> , R <sub>I</sub> Terminal Voltage		V-		V <sub>CC</sub>	V
R <sub>W</sub>	Wiper Resistance	V- = -5.5V; V <sub>CC</sub> = +5.5V, wiper current = (V <sub>CC</sub> - V-)/R <sub>TOTAL</sub>		70	200	Ω
C <sub>H</sub> /C <sub>L</sub> /C <sub>W</sub>	Potentiometer Capacitance (Note 13)			10/10/ 25		pF
I <sub>LkgDCP</sub>	Leakage on DCP Pins	Voltage at pin from V- to V <sub>CC</sub>	-1	0.1	1	μA
<b>VOLTAGE DIVIDER MODE</b> (0V @ R <sub>L</sub> ; V+ @ R <sub>H</sub> ; measured at R <sub>W</sub> , unloaded)						
INL (Note 6)	Integral Non-linearity		-1		1	LSB (Note 2)
DNL (Note 5)	Differential Non-linearity	W, U options	-0.5		0.5	LSB (Note 2)
ZSerror (Note 3)	Zero-Scale Error	W option	0	1	4	LSB (Note 2)
		U option	0	0.5	2	
FSerror (Note 4)	Full-Scale Error	W option	-4	-1	0	LSB (Note 2)
		U option	-2	-0.5	0	
TC <sub>V</sub> (Note 7,13)	Ratiometric Temperature Coefficient	DCP register set to i = 16 to 120d, T = -40°C to 85°C		±4		ppm/°C
<b>RESISTOR MODE</b> (Measurements between R <sub>W</sub> and R <sub>L</sub> with R <sub>H</sub> not connected, or between R <sub>W</sub> and R <sub>H</sub> with R <sub>L</sub> not connected)						
RINL (Note 11)	Integral Non-linearity	DCP register set between 16 and 127d Monotonic over all tap positions	-1		1	MI (Note 8)
RDNL (Note 10)	Differential Non-linearity		-0.5		0.5	MI (Note 8)
Roffset (Note 9)	Offset	DCP register set to 0d, W option	0	2	5	MI (Note 8)
		DCP register set to 0d, U option	0	0.5	2	MI (Note 8)
TC <sub>R</sub> (Notes 12,13)	Resistance Temperature Coefficient	DCP register set to i = 16 to 127d, T = -40°C to +85°C		±50		ppm/°C

**Operating Specifications** Over the recommended operating conditions unless otherwise specified.

SYMBOL	PARAMETER	TEST CONDITIONS	MIN	TYP (Note 1)	MAX	UNITS
$I_{CC1}$	$V_{CC}$ Supply Current, Volatile Write/Read	$\overline{CS} = V_{IL}$ , $U/\overline{D} = V_{IL}$ or $V_{IH}$ and $INC = 0.4V/2.4V$ min. $t_{CYC}$ $R_L$ , $R_H$ , $R_W$ not connected			500	$\mu A$
$I_{V-}$	V- Supply Current, Volatile Write/Read	$\overline{CS} = V_{IL}$ , $U/\overline{D} = V_{IL}$ or $V_{IH}$ and $INC = 0.4V/2.4V$ min. $t_{CYC}$ $R_L$ , $R_H$ , $R_W$ not connected	-100			$\mu A$
$I_{SB}$	$V_{CC}$ Current (Standby)	$V_{CC} = +5.5V$ , 3 Wire Interface in Standby State			500	nA
		$V_{CC} = +2.7V$ , 3 Wire Interface in Standby State			300	nA
$I_{V-SB}$	V- Current (Standby)	V- = -5.5V, 3 Wire Interface in Standby State	-500			nA
		V- = -2.7V, 3 Wire Interface in Standby State	-300			nA
$I_{LkgDig}$	Leakage Current, at Pins $\overline{INC}$ , $\overline{CS}$ , $U/\overline{D}$ , A0, and A1	Voltage at pin from GND to $V_{CC}$	-10		10	$\mu A$
$V_{por}$	Power-on Recall Voltage	Minimum $V_{CC}$ at which the wiper is Reset		2.5		V

**SERIAL INTERFACE SPECS**

$V_{IL}$	$\overline{INC}$ , $\overline{CS}$ , and $U/\overline{D}$ Input Buffer LOW Voltage		-0.3		$0.3 \cdot V_{CC}$	V
$V_{IH}$	$\overline{INC}$ , $\overline{CS}$ , and $U/\overline{D}$ Input Buffer HIGH Voltage		$0.7 \cdot V_{CC}$		$V_{CC} + 0.3$	V
Hysteresis (Note 13)	$\overline{INC}$ , $\overline{CS}$ , and $U/\overline{D}$ Input Buffer Hysteresis			$0.15 \cdot V_{CC}$		V
$C_{pin}$ (Note 13)	$\overline{INC}$ , $\overline{CS}$ , and $U/\overline{D}$ Pin Capacitance			10		pF

**AC Electrical Specifications**  $V_{CC} = 5V \pm 10\%$ ,  $T_A =$  Full Operating Temperature Range unless otherwise stated

SYMBOL	PARAMETER	MIN	TYP (Note 1)	MAX	UNIT
$t_{CI}$	$\overline{CS}$ to $\overline{INC}$ Setup	100			ns
$t_{ID}$	$\overline{INC}$ HIGH to $U/\overline{D}$ Change	100			ns
$t_{DI}$	$U/\overline{D}$ to $\overline{INC}$ Setup	1			$\mu s$
$t_{IL}$	$\overline{INC}$ LOW Period	1			$\mu s$
$t_{IH}$	$\overline{INC}$ HIGH Period	1			$\mu s$
$t_{ICL}$	Lock Setup Time, $\overline{INC}$ High to $\overline{CS}$ High	1			$\mu s$
$t_{IW}$ (Note 13)	$\overline{INC}$ to $R_W$ Change		1		$\mu s$
$t_{CYC}$	$\overline{INC}$ Cycle Time	2			$\mu s$
$t_R, t_F$	$\overline{INC}$ Input Rise and Fall Time			500	$\mu s$

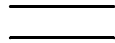

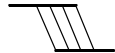
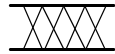

NOTES:

1. Typical values are for  $T_A = 25^\circ\text{C}$  and 3.3V supply voltage.
2. LSB:  $[V(RW)_{127} - V(RW)_0]/127$ .  $V(RW)_{127}$  and  $V(RW)_0$  are  $V(RW)$  for the DCP register set to 7F hex and 00 hex respectively. LSB is the incremental voltage when changing from one tap to an adjacent tap.
3. ZS error =  $V(RW)_0/\text{LSB}$ .
4. FS error =  $[V(RW)_{127} - V_{CC}]/\text{LSB}$ .
5. DNL =  $[V(RW)_i - V(RW)_{i-1}]/\text{LSB}-1$ , for  $i = 1$  to 127.  $i$  is the DCP register setting.
6. INL =  $V(RW)_i - (i \cdot \text{LSB} - V(RW)_0)$  for  $i = 1$  to 127.
7. 
$$TC_V = \frac{\text{Max}(V(RW)_i) - \text{Min}(V(RW)_i)}{[\text{Max}(V(RW)_i) + \text{Min}(V(RW)_i)]/2} \times \frac{10^6}{125^\circ\text{C}}$$

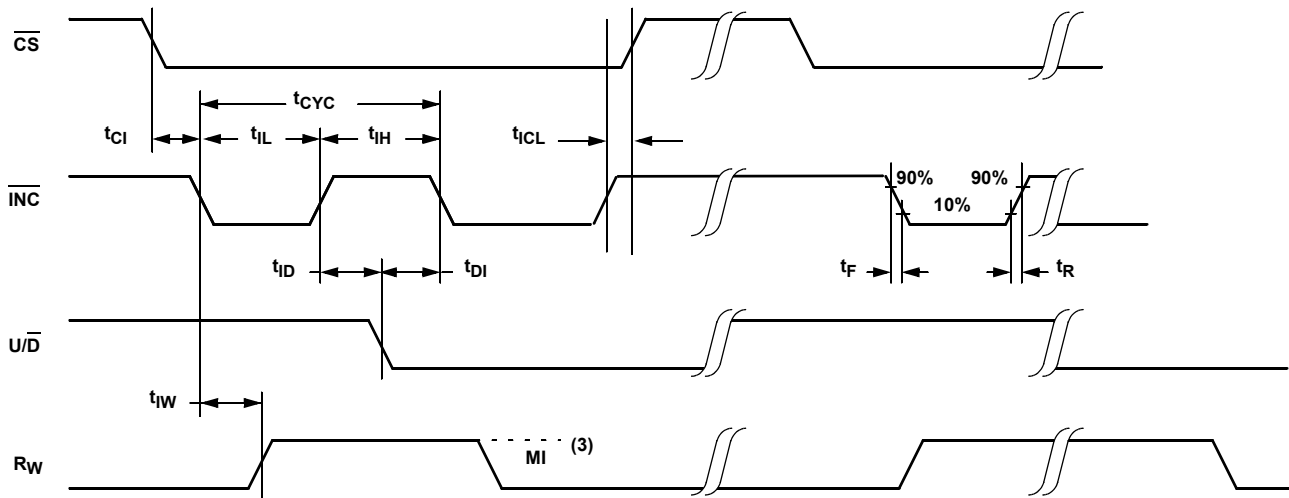
$\text{Max}()$  is the maximum value of the wiper voltage and  $\text{Min}()$  is the minimum value of the wiper voltage over the temperature range.
8.  $MI = |R_{127} - R_0|/127$ .  $R_{127}$  and  $R_0$  are the measured resistances for the DCP register set to 7F hex and 00 hex respectively.
9. Roffset =  $R_0/MI$ , when measuring between RW and RL.  
Roffset =  $R_{127}/MI$ , when measuring between RW and RH.
10. RDNL =  $(R_i - R_{i-1})/MI$ , for  $i = 16$  to 127d.
11. RINL =  $[R_i - (MI \cdot i) - R_0]/MI$ , for  $i = 16$  to 127d.
12. 
$$TC_R = \frac{[\text{Max}(R_i) - \text{Min}(R_i)]}{[\text{Max}(R_i) + \text{Min}(R_i)]/2} \times \frac{10^6}{125^\circ\text{C}}$$

$\text{Max}()$  is the maximum value of the resistance and  $\text{Min}()$  is the minimum value of the resistance over the temperature range.
13. This parameter is not 100% tested.

**Symbol Table**

WAVEFORM	INPUTS	OUTPUTS
	Must be steady	Will be steady
	May change from Low to High	Will change from Low to High
	May change from High to Low	Will change from High to Low
	Don't Care: Changes Allowed	Changing: State Not Known
	N/A	Center Line is High Impedance

## AC Timing



### Power Up and Down Requirements

In order to prevent unwanted tap position changes, bring the CS and INC high before or concurrently with the  $V_{CC}$  pin on power-up. The potentiometer voltages must be applied after this sequence is completed. During power-up, the data sheet parameters for the DCP do not fully apply until 1ms after  $V_{CC}$  reaches its final value. The wiper will be set to its initial value (64d) once  $V_{CC}$  exceeds  $V_{POR}$ .

### Pin Descriptions

#### $R_H$ and $R_L$

The high ( $R_H$ ) and low ( $R_L$ ) terminals of the ISL23710 are equivalent to the fixed terminals of a mechanical potentiometer. The terminology of  $R_L$  and  $R_H$  references the relative position of the terminal in relation to wiper movement direction selected by the  $U/\bar{D}$  input and not the voltage potential on the terminal.

#### $R_W$

$R_W$  is the wiper terminal and is equivalent to the movable terminal of a mechanical potentiometer. The position of the wiper within the array is determined by the control inputs.

#### Up/Down ( $U/\bar{D}$ )

The  $U/\bar{D}$  input controls the direction of the wiper movement and whether the counter is incremented or decremented.

#### Increment ( $\bar{INC}$ )

The  $\bar{INC}$  input is negative-edge triggered. Toggling  $\bar{INC}$  will move the wiper and either increment or decrement the counter in the direction indicated by the logic level on the  $U/\bar{D}$  input.

#### Chip Select ( $\bar{CS}$ )

The device is selected when the  $\bar{CS}$  input is LOW.

### Principles of Operation

There are three sections of the ISL23710: the input control, counter and decode section, and the resistor array. The input control section operates just like an up/down counter. The output of this counter is decoded to turn on a single electronic switch connecting a point on the resistor array to the wiper output. The resistor array is comprised of 127 individual resistors connected in series. At either end of the array and between each resistor is an electronic switch that transfers the potential at that point to the wiper.

The wiper, when at either fixed terminal, acts like its mechanical equivalent and does not move beyond the last position. That is, the counter does not wrap around when clocked to either extreme.

The electronic switches on the device operate in a “make before break” mode when the wiper changes tap positions. If the wiper is moved several positions, multiple taps are connected to the wiper for  $t_{IW}$  ( $\bar{INC}$  to  $V_W$  change). The  $R_{TOTAL}$  value for the device can temporarily be reduced by a significant amount if the wiper is moved several positions.








### Instructions and Programming

The  $\bar{INC}$ ,  $U/\bar{D}$  and  $\bar{CS}$  inputs control the movement of the wiper along the resistor array. With  $\bar{CS}$  set LOW the device is selected and enabled to respond to the  $U/\bar{D}$  and  $\bar{INC}$  inputs. HIGH to LOW transitions on  $\bar{INC}$  will increment or decrement (depending on the state of the  $U/\bar{D}$  input) a seven bit counter. The output of this counter is decoded to select one of one-hundred twenty-eight wiper positions along the resistive array.

Bringing  $\overline{CS}$  HIGH after  $\overline{INC}$  is HIGH will cause the wiper value to be locked until power down (further changes in  $\overline{CS}$  and  $\overline{INC}$  will not change the wiper position). Otherwise,  $\overline{INC}$  should be brought HIGH after  $\overline{CS}$  to allow continued wiper changes.

The state of  $U/\overline{D}$  may be changed while  $\overline{CS}$  remains LOW. This allows the host system to enable the device and then move the wiper up and down until the proper trim is attained. During initial power-up  $\overline{CS}$  must go high along with or before  $V_{CC}$  to avoid an accidental tap position change.

**TABLE 1. MODE SELECTION**

$\overline{CS}$	$\overline{INC}$	$U/\overline{D}$	MODE
L		H	Wiper Up
L		L	Wiper Down
	H	X	Lock Wiper Value
H		X	Standby
	L	X	Standby
H	H	X	Standby
	L	H	Wiper up One Position (not recommended)
	L	L	Wiper Down One Position (not recommended)

© Copyright Intersil Americas LLC 2005. All Rights Reserved.

All trademarks and registered trademarks are the property of their respective owners.

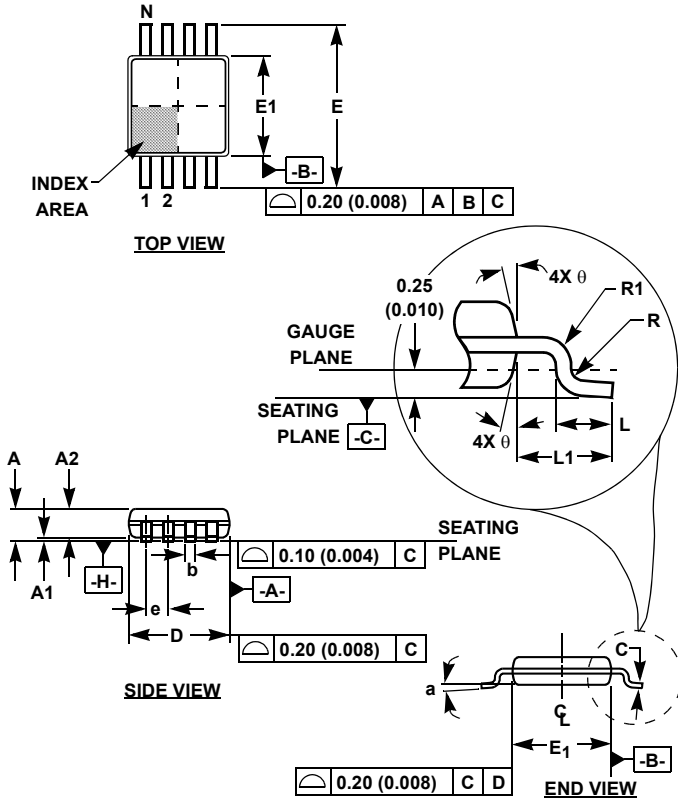
For additional products, see [www.intersil.com/en/products.html](http://www.intersil.com/en/products.html)

Intersil products are manufactured, assembled and tested utilizing ISO9001 quality systems as noted in the quality certifications found at [www.intersil.com/en/support/qualandreliability.html](http://www.intersil.com/en/support/qualandreliability.html)

*Intersil products are sold by description only. Intersil may modify the circuit design and/or specifications of products at any time without notice, provided that such modification does not, in Intersil's sole judgment, affect the form, fit or function of the product. Accordingly, the reader is cautioned to verify that datasheets are current before placing orders. Information furnished by Intersil is believed to be accurate and reliable. However, no responsibility is assumed by Intersil or its subsidiaries for its use; nor for any infringements of patents or other rights of third parties which may result from its use. No license is granted by implication or otherwise under any patent or patent rights of Intersil or its subsidiaries.*

For information regarding Intersil Corporation and its products, see [www.intersil.com](http://www.intersil.com)

**Mini Small Outline Plastic Packages (MSOP)**



**M10.118 (JEDEC MO-187BA)**  
10 LEAD MINI SMALL OUTLINE PLASTIC PACKAGE

SYMBOL	INCHES		MILLIMETERS		NOTES
	MIN	MAX	MIN	MAX	
A	0.037	0.043	0.94	1.10	-
A1	0.002	0.006	0.05	0.15	-
A2	0.030	0.037	0.75	0.95	-
b	0.007	0.011	0.18	0.27	9
c	0.004	0.008	0.09	0.20	-
D	0.116	0.120	2.95	3.05	3
E1	0.116	0.120	2.95	3.05	4
e	0.020 BSC		0.50 BSC		-
E	0.187	0.199	4.75	5.05	-
L	0.016	0.028	0.40	0.70	6
L1	0.037 REF		0.95 REF		-
N	10		10		7
R	0.003	-	0.07	-	-
R1	0.003	-	0.07	-	-
θ	5°	15°	5°	15°	-
α	0°	6°	0°	6°	-

Rev. 0 12/02

**NOTES:**

1. These package dimensions are within allowable dimensions of JEDEC MO-187BA.
2. Dimensioning and tolerancing per ANSI Y14.5M-1994.
3. Dimension "D" does not include mold flash, protrusions or gate burrs and are measured at Datum Plane. Mold flash, protrusion and gate burrs shall not exceed 0.15mm (0.006 inch) per side.
4. Dimension "E1" does not include interlead flash or protrusions and are measured at Datum Plane. [-H-] Interlead flash and protrusions shall not exceed 0.15mm (0.006 inch) per side.
5. Formed leads shall be planar with respect to one another within 0.10mm (.004) at seating Plane.
6. "L" is the length of terminal for soldering to a substrate.
7. "N" is the number of terminal positions.
8. Terminal numbers are shown for reference only.
9. Dimension "b" does not include dambar protrusion. Allowable dambar protrusion shall be 0.08mm (0.003 inch) total in excess of "b" dimension at maximum material condition. Minimum space between protrusion and adjacent lead is 0.07mm (0.0027 inch).
10. Datums [-A-] and [-B-] to be determined at Datum plane [-H-].
11. Controlling dimension: MILLIMETER. Converted inch dimensions are for reference only