

Frequency Timing Generator for PENTIUM II Systems

General Description

The ICS9248-77 is a main clock synthesizer chip for Pentium II based systems using Rambus Interface DRAMs. This chip provides all the clocks required for such a system when used with a Direct Rambus Clock Generator(DRCG) chip such as the ICS9212-01.

Spread Spectrum may be enabled by driving the SPREAD# pin active. Spread spectrum typically reduces system EMI by 8dB to 10dB. This simplifies EMI qualification without resorting to board design iterations or costly shielding. The ICS9248-77 employs a proprietary closed loop design, which tightly controls the percentage of spreading over process and temperature variations.

The CPU/2 clocks are inputs to the DRCG.

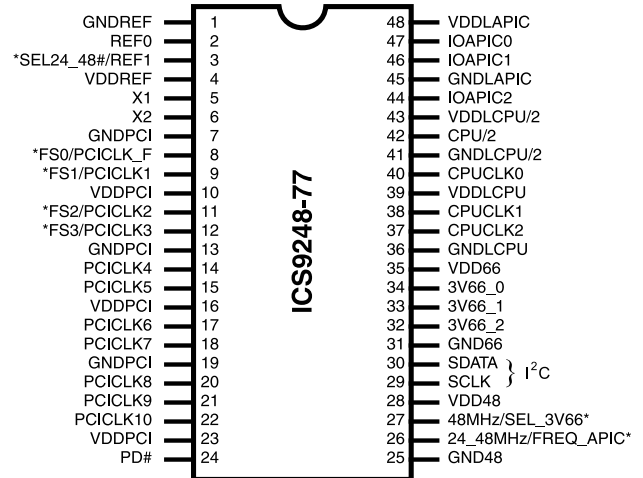
Features

- Generates the following system clocks:
 - 3 - CPUs @ 2.5V, up to 150MHz.
 - 3 - IOAPIC @ 2.5V, PCI or PCI/2
 - 3 - 3V66MHz @ 3.3V.
 - 11 - PCIs @ 3.3V.
 - 1 - 48MHz, @ 3.3V fixed.
 - 1 - 24MHz, @ 3.3V fixed.
 - 1 - CPU/2, @ 2.5V.
- ± .25% center spread, or 0 to -.5% down spread.
- Uses external 14.318MHz crystal.

Key Specification

- CPU Output Jitter: <250ps
- CPU/2 Output Jitter: <250ps
- IOAPIC Output Jitter: <500ps
- 48MHz, 3V66, PCI Output Jitter: <500ps
- Ref Output Jitter: <1000ps
- CPU Output Skew: <175ps
- IOAPIC Output Skew <250ps
- PCI Output Skew: <500ps
- 3V66 Output Skew <250ps
- CPU to 3V66 Output Offset: 0.0 - 1.5ns (CPU leads)
- 3V66 to PCI Output Offset: 1.5 - 4.0ns (3V66 leads)
- CPU to IOAPIC Output Offset 1.5 - 4.0ns (CPU leads)

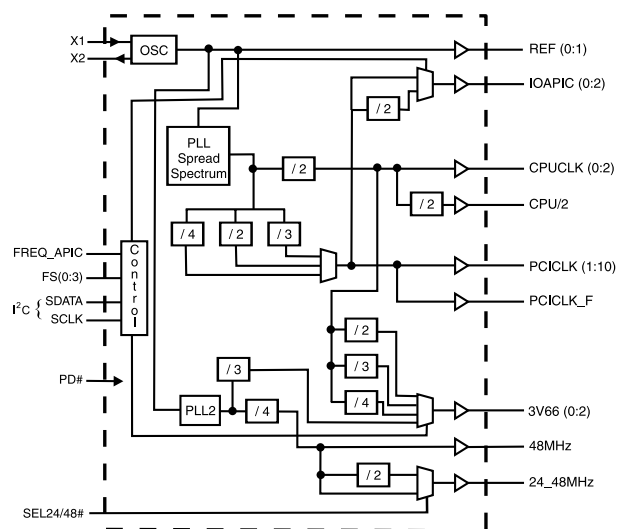
Pin Configuration



48-pin SSOP

*120K ohm pull-up to VDD on indicated inputs.

Block Diagram



Power Groups:

VDDREF, GNDREF = REF, X1, X2

GNDPCI, VDDPCI = PCICLK

VDD66, GND66 = 3V66

VDD48, GND48 = 48MHz

VDDCOR, GNDCOR = PLL Core

VDDLCPU/2, GNDLCPU/2 = CPU/2

VDDLIOAPIC, GNDIOAPIC = IOAPIC

Pin Descriptions

Pin number	Pin name	Type	Description
1, 7, 13, 19, 25, 31	GND	PWR	Ground pins
2	REF0	OUT	14.318MHz reference clock outputs at 3.3V
3	REF1	OUT	14.318MHz reference clock outputs at 3.3V
	SEL24_48	IN	Logic input to select 24 or 48MHz for pin 26 output
4, 10, 16, 23, 28, 35	VDD	PWR	Power pins 3.3V
5	X1	IN	XTAL_IN 14.318MHz crystal input
6	X2	OUT	XTAL_OUT Crystal output
8	PCICLK_F	OUT	Free running PCI clock at 3.3V. Synchronous to CPU clocks. Not affected by the PCI_STOP# input.
	FS0	IN	Logic - input for frequency selection
9	PCICLK1	OUT	PCI clock output at 3.3V. Synchronous to CPU clocks.
	FS1	IN	Logic - input for frequency selection
11	PCICLK2	OUT	PCI clock output at 3.3V. Synchronous to CPU clocks.
	FS2	IN	Logic - input for frequency selection
12	PCICLK3	OUT	PCI clock output at 3.3V. Synchronous to CPU clocks.
	FS3	IN	Logic - input for frequency selection
14, 15, 17, 18, 20, 21, 22	PCICLK [4:10]	OUT	PCI clock outputs at 3.3V. Synchronous to CPU clocks.
24	PD#	IN	This asynchronous input powers down the chip when drive active(Low). The internal PLLs are disabled and all the output clocks are held at a Low state.
26	24_48MHz	OUT	24 or 48MHz output selectable by SEL24_48# (0=48MHz 1=24MHz)
	FREQ_APIC	IN	Logic input for frequency selection of IOAPIC
27	48MHz/SEL_3V66	OUT/IN	Fixed 48MHz clock output. 3.3V / Logic input to select the frequency of the 3V66 outputs
29	SCLK	IN	Clock input of I ² C input
30	SDATA	IN	Data input for I ² C serial input.
32, 33, 34	3V66[0:2]	OUT	3.3V clock outputs. These outputs are stopped when CPU_STOP# is driven active..
36	GNDLCPU	PWR	Ground pin for the CPUCLKs
37, 38, 40	CPUCLK[0:2]	OUT	Host bus clock output at 2.5V.
39	VDDLCPU	PWR	Power pin for the CPUCLKs. 2.5V
41	GNDLCPU/2	PWR	Ground pin for the CPU/2 clocks.
42	CPU/2	OUT	2.5V clock outputs at 1/2 CPU frequency.
43	VDDLCPU/2	PWR	Power pin for the CPU/2 clocks. 2.5V
45	GNDLIOAPIC	PWR	Ground pin for the IOAPIC outputs.
44, 46, 47	IOAPIC[0:2]	OUT	IOAPIC clocks at 2.5V. Synchronous with CPUCLKs
48	VDDLIOAPIC	PWR	Power pin for the IOAPIC outputs. 2.5V.

Frequency Selection

FS3	FS2	FS1	FS0	CPU MHz	CPU/2 MHz	PCI MHz	3V66 MHz		IOAPIC MHz	
							SEL_3V66=0	SEL_3V66=1	FREQ_APIC=0	FREQ_APCI=1
0	0	0	0	105	52.5	35	70	70	17.5	35
0	0	0	1	75	37.5	37.5	64*	75	18.75	37.5
0	0	1	0	100.3	50.15	33.4	66.6	66.6	16.7	33.4
0	0	1	1	66.8	33.4	33.4	66.6	66.6	16.67	33.4
0	1	0	0	110	55	36.6	64*	73.3	18.3	36.6
0	1	0	1	115	57.5	38.3	64*	76.6	19.16	38.3
0	1	1	0	117	58.5	39	64*	78	19.5	39
0	1	1	1	120	60	40	64*	80	20	40
1	0	0	0	125	62.5	41.6	64*	83.3	20.8	41.6
1	0	0	1	127	63.5	42.3	64*	84.6	21.16	42.3
1	0	1	0	133.3	66.5	33.3	66.6	66.6	16.6	33.3
1	0	1	1	135	67.5	33.75	67.5	67.5	16.8	33.75
1	1	0	0	137	68.5	34.25	68.5	68.5	17.125	34.25
1	1	0	1	140	70	35	70	70	17.5	35
1	1	1	0	145	72.5	36.25	64*	72.5	18.125	36.25
1	1	1	1	150	75	37.5	64*	75	18.75	37.5

Note:

* These output frequencies are Not synchronous to CPUCLK and Do Not have Spread Spectrum modulation.

Power Management Features:

PD#	CPUCLK	CPU/2	IOAPIC	3V66	PCI	PCI_F	REF. 48MHz	Osc	VCOs
0	LOW	LOW	LOW	LOW	LOW	LOW	LOW	OFF	OFF
1	ON	ON	ON	ON	ON	ON	ON	ON	ON

Note:

1. LOW means outputs held static LOW as per latency requirement next page.
2. On means active.
3. PD# pulled Low, impacts all outputs including REF and 48 MHz outputs.

Power Management Requirements:

Signal	Signal State	Latency
		No. of rising edges of PCICLK
PD#	1 (normal operation)	3mS
	0 (power down)	2max.

Note:

1. Clock on/off latency is defined in the number of rising edges of free running PCICLKs between the clock disable goes low/high to the first valid clock comes out of the device.
2. Power up latency is when PWR_DWN# goes inactive (high to when the first valid clocks are driven from the device).

General I²C serial interface information

The information in this section assumes familiarity with I²C programming.
For more information, contact ICS for an I²C programming application note.

How to Write:

- Controller (host) sends a start bit.
- Controller (host) sends the write address D2_(H)
- ICS clock will **acknowledge**
- Controller (host) sends a dummy command code
- ICS clock will **acknowledge**
- Controller (host) sends a dummy byte count
- ICS clock will **acknowledge**
- Controller (host) starts sending first byte (Byte 0) through byte 5
- ICS clock will **acknowledge** each byte *one at a time*.
- Controller (host) sends a Stop bit

How to Write:	
Controller (Host)	ICS (Slave/Receiver)
Start Bit	
Address D2 _(H)	
	ACK
Dummy Command Code	
	ACK
Dummy Byte Count	
	ACK
Byte 0	
	ACK
Byte 1	
	ACK
Byte 2	
	ACK
Byte 3	
	ACK
Byte 4	
	ACK
Byte 5	
	ACK
Stop Bit	

How to Read:

- Controller (host) will send start bit.
- Controller (host) sends the read address D3_(H)
- ICS clock will **acknowledge**
- ICS clock will send the **byte count**
- Controller (host) acknowledges
- ICS clock sends first byte (**Byte 0**) through **byte 5**
- Controller (host) will need to acknowledge each byte
- Controller (host) will send a stop bit

How to Read:	
Controller (Host)	ICS (Slave/Receiver)
Start Bit	
Address D3 _(H)	
	ACK
	Byte Count
ACK	
	Byte 0
ACK	
	Byte 1
ACK	
	Byte 2
ACK	
	Byte 3
ACK	
	Byte 4
ACK	
	Byte 5
ACK	
Stop Bit	

Notes:

1. The ICS clock generator is a slave/receiver, I²C component. It can read back the data stored in the latches for verification. **Read-Back will support Intel PIIX4 "Block-Read" protocol.**
2. The data transfer rate supported by this clock generator is 100K bits/sec or less (standard mode)
3. The input is operating at 3.3V logic levels.
4. The data byte format is 8 bit bytes.
5. To simplify the clock generator I²C interface, the protocol is set to use only "**Block-Writes**" from the controller. The bytes must be accessed in sequential order from lowest to highest byte with the ability to stop after any complete byte has been transferred. The Command code and Byte count shown above must be sent, but the data is ignored for those two bytes. The data is loaded until a Stop sequence is issued.
6. At power-on, all registers are set to a default condition, as shown.

Serial Configuration Command Bitmap

Byte 0: Functionality and frequency select register (Default = 0)

Bit	Description							PWD
Bit 7	0 - $\pm 0.25\%$ Center Spread Spectrum							0
	1 - Down Spread Spectrum 0 to -0.5%							
Bit (2, 6:4)	Bit (2, 6:4)	CPUCLK	3V66		PCICLK	IOAPIC		Note 1
			3V66_SEL=0	3V66_SEL=1		FREQ_APIC=0	FREQ_APIC=1	
	0000	105	70	70	35	17.5	35	
	0001	75	64*	75	37.5	18.75	37.5	
	0010	100.3	66.6	66.6	33.4	16.7	33.4	
	0011	66.8	66.6	66.6	33.4	16.67	33.4	
	0100	110	64*	73.3	36.6	18.3	36.6	
	0101	115	64*	76.6	38.3	19.16	38.3	
	0110	117	64*	78	39	19.5	39	
	0111	120	64*	80	40	20	40	
	1000	125	64*	83.3	41.6	20.8	41.6	
	1001	127	64*	84.6	42.3	21.16	42.3	
	1010	133.3	66.6	66.6	33.3	16.6	33.3	
	1011	135	67.5	67.5	33.75	16.8	33.75	
	1100	137	68.5	68.5	34.25	17.125	34.25	
1101	140	70	70	35	17.5	35		
1110	145	64*	72.5	36.25	18.125	36.25		
1111	150	64*	75	37.5	18.75	37.5		
Bit 3	0 - Frequency is selected by hardware select, latched inputs 1 - Frequency is selected by Bit 2, 6:4							0
Bit 1	0 - Normal 1 - Spread spectrum enabled							0
Bit 0	0 - Running 1 - Tristate all outputs							0

Note 1: Default at power-up will be for latched logic inputs to define frequency.

* These output frequencies are not synchronous to CPUCLK and do not have Spread Spectrum modulation.

Byte 1: CPU, Active/Inactive Register
(1 = enable, 0 = disable)

Bit	Pin #	PWD	Description
Bit 7	40	1	CPUCLK 0
Bit 6	38	1	CPUCLK 1
Bit 5	37	1	CPUCLK 2
Bit 4	42	1	CPU/2
Bit 3	47	1	IOAPIC0
Bit 2	46	1	IOAPIC1
Bit 1	2	1	REF1
Bit 0	3	1	REF0

Note:

1. Inactive means outputs are held LOW and are disabled from switching.

Byte 2: PCI Active/Inactive Register
(1 = enable, 0 = disable)

Bit	Pin #	PWD	Description
Bit 7	18	1	PCICLK7
Bit 6	17	1	PCICLK6
Bit 5	15	1	PCICLK5
Bit 4	14	1	PCICLK4
Bit 3	12	1	PCICLK3
Bit 2	11	1	PCICLK2
Bit 1	9	1	PCICLK1
Bit 0	8	1	PCICLK_F

Notef:

1. Inactive means outputs are held LOW and are disabled from switching.

Byte 3: 3V66 Active/Inactive Register (1 = enable, 0 = disable)

Bit	Pin #	PWD	Description
Bit 7	34	1	3V66_0
Bit 6	33	1	3V66_1
Bit 5	32	1	3V66_2
Bit 4	-	X	FS1#
Bit 3	-	1	(Reserved)
Bit 2	-	1	(Reserved)
Bit 1	-	X	FS3#
Bit 0	-	X	FS2#

Note:

1. Inactive means outputs are held LOW and are disabled from switching.

Byte 4: PCI Active/Inactive Register (1 = enable, 0 = disable)

Bit	Pin #	PWD	Description
Bit 7	26	1	24_48MHz
Bit 6	27	1	48MHz
Bit 5	-	X	FS0
Bit 4	22	1	PCICLK10
Bit 3	21	1	PCICLK9
Bit 2	20	1	PCICLK8
Bit 1	-	1	(Reserved)
Bit 0	-	1	(Reserved)

Note:

1. Inactive means outputs are held LOW and are disabled from switching.

Byte 5: Active/Inactive Register
(1 = enable, 0 = disable)

Bit	Pin #	PWD	Description
Bit7	-	0	Reserved (Note)
Bit6	-	0	Reserved (Note)
Bit5	-	0	Reserved (Note)
Bit4	-	0	Reserved (Note)
Bit3	-	0	Reserved (Note)
Bit2	-	1	Reserved (Note)
Bit1	-	1	Reserved (Note)
Bit0	-	0	Reserved (Note)

Note: Don't write into this register, writing into this register can cause malfunction

PD# Timing Diagram

The power down selection is used to put the part into a very low power state without turning off the power to the part. PD# is an asynchronous active low input. This signal needs to be synchronized internal to the device prior to powering down the clock synthesizer.

Internal clocks are not running after the device is put in power down. When PD# is active low all clocks need to be driven to a low value and held prior to turning off the VCOs and crystal. The power up latency needs to be less than 3 mS. The power down latency should be as short as possible but conforming to the sequence requirements shown below. The REF and 48MHz clocks are expected to be stopped in the LOW state as soon as possible. Due to the state of the internal logic, stopping and holding the REF clock outputs in the LOW state may require more than one clock cycle to complete.



Notes:

1. All timing is referenced to the Internal CPUCLK (defined as inside the ICS9248 device).
2. As shown, the outputs Stop Low on the next falling edge after PD# goes low.
3. PD# is an asynchronous input and metastable conditions may exist. This signal is synchronized inside this part.
4. The shaded sections on the VCO and the Crystal signals indicate an active clock.
5. Diagrams shown with respect to 133MHz. Similar operation when CPU is 100MHz.

Absolute Maximum Ratings

Supply Voltage	7.0 V
Logic Inputs	GND–0.5 V to V _{DD} +0.5 V
Ambient Operating Temperature	0°C to +70°C
Storage Temperature	–65°C to +150°C
Case Temperature	115°C

Stresses above those listed under *Absolute Maximum Ratings* may cause permanent damage to the device. These ratings are stress specifications only and functional operation of the device at these or any other conditions above those listed in the operational sections of the specifications is not implied. Exposure to absolute maximum rating conditions for extended periods may affect product reliability.

Electrical Characteristics - Input/Supply/Common Output Parameters

T_A = 0 - 70° C; V_{DD}, V_{DDL} = 3.3 V +/-5% (unless otherwise stated)

PARAMETER	SYMBOL	CONDITIONS	MIN	TYP	MAX	UNITS
Input High Voltage	V _{IH}		2		V _{DD} +0.3	V
Input Low Voltage	V _{IL}		V _{SS} -0.3		0.8	V
Input High Current	I _{IH}	V _{IN} = V _{DD}		0.1	5	μA
Input Low Current	I _{IL1}	V _{IN} = 0 V; Inputs with no pull-up resistors	-5	2.0		μA
Input Low Current	I _{IL2}	V _{IN} = 0 V; Inputs with pull-up resistors	-200	-100		μA
Operating Supply Current	I _{DD3.3OP100}	C _L = 0 pF; Select @ 100 MHz		81	160	mA
	I _{DD3.3OP133}	C _L = 0 pF; Select @ 133 MHz		85	160	mA
Input frequency	F _i	V _{DD} = 3.3 V;	11	14.318	16	MHz
Input Capacitance ¹	C _{IN}	Logic Inputs			5	pF
	C _{INX}	X1 & X2 pins	27	36	45	pF
Transition Time ¹	T _{trans}	To 1st crossing of target Freq.			3	ms
Settling Time ¹	T _s	From 1st crossing to 1% target Freq.		5	3	ms
Clk Stabilization ¹	T _{STAB}	From V _{DD} = 3.3 V to 1% target Freq.			3	ms

¹Guaranteed by design, not 100% tested in production.

Electrical Characteristics - Input/Supply/Common Output Parameters

T_A = 0 - 70° C; V_{DD} = 3.3 V +/-5%; V_{DDL} = 2.5 V +/-5% (unless otherwise stated)

PARAMETER	SYMBOL	CONDITIONS	MIN	TYP	MAX	UNITS
Operating Supply Current	I _{DD2.5OP100}	C _L = 0 pF; Select @ 100 MHz		16	75	mA
	I _{DD2.5OP133}	C _L = 0 pF; Select @ 133 MHz		19	90	mA
Power Down Supply Current	I _{DD2.5PD}	C _L = 0 pF; PWRDWN# = 0		0.1	100	μA

¹Guaranteed by design, not 100% tested in production.

Group Offset

Group	Offset	Measurement Loads	Measure Points
CPU to 3V66	0.0-1.5ns CPU leads	CPU @ 20pF, 3V66 @ 30pF	CPU @ 1.25V, 3V66 @ 1.5V
3V66 to PCI	1.5-4.0ns 3V66 leads	3V66 @ 30pF, PCI @ 30pF	3V66 @ 1.5V, PCI @ 1.5V
CPU to IOAPIC	1.5-4.0ns CPU leads	CPU @ 20pF, IOAPIC @ 20pF	CPU @ 1.25V, IOAPIC @ 1.5V

Note: 1. All offsets are to be measured at rising edges.

Electrical Characteristics - CPUCLK

$T_A = 0 - 70^\circ\text{C}$; $V_{DD} = 3.3\text{ V} \pm 5\%$, $V_{DDL} = 2.5\text{ V} \pm 5\%$; $C_L = 20\text{ pF}$ (unless otherwise stated)

PARAMETER	SYMBOL	CONDITIONS	MIN	TYP	MAX	UNITS
Output High Voltage	V_{OH2B}	$I_{OH} = -12.0\text{ mA}$	2	2.24		V
Output Low Voltage	V_{OL2B}	$I_{OL} = 12.0\text{ mA}$		0.31	0.4	V
Output High Current	I_{OH2B}	$V_{OH} = 1.7\text{ V}$		-31	-19	mA
Output Low Current	I_{OL2B}	$V_{OL} = 0.7\text{ V}$	19	25		mA
Rise Time	t_{r2B}^1	$V_{OL} = 0.4\text{ V}$, $V_{OH} = 2.0\text{ V}$		1.35	1.6	ns
Fall Time	t_{f2B}^1	$V_{OH} = 2.0\text{ V}$, $V_{OL} = 0.4\text{ V}$		1.4	1.6	ns
Duty Cycle	d_{t2B}^1	$V_T = 1.25\text{ V}$	45	47	55	%
Skew	t_{sk2B}^1	$V_T = 1.25\text{ V}$		63	175	ps
Jitter, Cycle-to-cycle	$t_{jvc-cyc2B}^1$	$V_T = 1.25\text{ V}$		125	250	ps
Jitter, One Sigma	t_{j1s2B}^1	$V_T = 1.25\text{ V}$		65	150	ps
Jitter, Absolute	t_{jabs2B}^1	$V_T = 1.25\text{ V}$	-250	148	+250	ps

¹Guaranteed by design, not 100% tested in production.

Electrical Characteristics - CPU/2

$T_A = 0 - 70^\circ\text{C}$; $V_{DD} = 3.3\text{ V} \pm 5\%$, $V_{DDL} = 2.5\text{ V} \pm 5\%$; $C_L = 20\text{ pF}$ (unless otherwise stated)

PARAMETER	SYMBOL	CONDITIONS	MIN	TYP	MAX	UNITS
Output High Voltage	V_{OH2B}	$I_{OH} = -12.0\text{ mA}$	2	2.24		V
Output Low Voltage	V_{OL2B}	$I_{OL} = 12.0\text{ mA}$		0.31	0.4	V
Output High Current	I_{OH2B}	$V_{OH} = 1.7\text{ V}$		-31	-19	mA
Output Low Current	I_{OL2B}	$V_{OL} = 0.7\text{ V}$	19	26		mA
Rise Time	t_{r2B}^1	$V_{OL} = 0.4\text{ V}$, $V_{OH} = 2.0\text{ V}$		1.2	1.6	ns
Fall Time	t_{f2B}^1	$V_{OH} = 2.0\text{ V}$, $V_{OL} = 0.4\text{ V}$		1.2	1.6	ns
Duty Cycle	d_{t2B}^1	$V_T = 1.25\text{ V}$	45	49	55	%
Jitter, Cycle-to-cycle	$t_{jvc-cyc2B}^1$	$V_T = 1.25\text{ V}$		125	250	ps
Jitter, One Sigma	t_{j1s2B}^1	$V_T = 1.25\text{ V}$		50	150	ps
Jitter, Absolute	t_{jabs2B}^1	$V_T = 1.25\text{ V}$	-250	97	+250	ps

¹Guaranteed by design, not 100% tested in production.

Electrical Characteristics - 3V66

$T_A = 0 - 70^\circ \text{C}$; $V_{DD} = 3.3 \text{ V} \pm 5\%$, $V_{DDL} = 2.5 \text{ V} \pm 5\%$; $C_L = 30 \text{ pF}$ (unless otherwise stated)

PARAMETER	SYMBOL	CONDITIONS	MIN	TYP	MAX	UNITS
Output High Voltage	V_{OH1}	$I_{OH} = -11 \text{ mA}$	2.4	3.1		V
Output Low Voltage	V_{OL1}	$I_{OL} = 9.4 \text{ mA}$		0.17	0.4	V
Output High Current	I_{OH1}	$V_{OH} = 2.0 \text{ V}$		-51	-22	mA
Output Low Current	I_{OL1}	$V_{OL} = 0.8 \text{ V}$	16	41		mA
Rise Time ¹	t_{r1}	$V_{OL} = 0.4 \text{ V}$, $V_{OH} = 2.4 \text{ V}$	0.5	1.8	2	ns
Fall Time ¹	t_{f1}	$V_{OH} = 2.4 \text{ V}$, $V_{OL} = 0.4 \text{ V}$	0.5	1.6	2	ns
Duty Cycle ¹	d_{t1}	$V_T = 1.5 \text{ V}$	45	49	55	%
Skew ¹	t_{sk1}	$V_T = 1.5 \text{ V}$		50	250	ps
Jitter, Cycle-to-cycle ¹	$T_{j\text{cyc-cyc}1}$	$V_T = 1.5 \text{ V}$		299	500	ps
Jitter, One Sigma ¹	t_{j1s1}	$V_T = 1.5 \text{ V}$		87	150	ps
Jitter, Absolute ¹	t_{jabs1}	$V_T = 1.5 \text{ V}$	-500	235	500	ps

¹Guaranteed by design, not 100% tested in production.

Electrical Characteristics - PCICLK

$T_A = 0 - 70^\circ \text{C}$; $V_{DD} = 3.3 \text{ V} \pm 5\%$, $V_{DDL} = 2.5 \text{ V} \pm 5\%$; $C_L = 30 \text{ pF}$ (unless otherwise stated)

PARAMETER	SYMBOL	CONDITIONS	MIN	TYP	MAX	UNITS
Output High Voltage	V_{OH1}	$I_{OH} = -11 \text{ mA}$	2.4	3.1		V
Output Low Voltage	V_{OL1}	$I_{OL} = 9.4 \text{ mA}$		0.16	0.4	V
Output High Current	I_{OH1}	$V_{OH} = 2.0 \text{ V}$		-50	-22	mA
Output Low Current	I_{OL1}	$V_{OL} = 0.8 \text{ V}$	16	42		mA
Rise Time ¹	t_{r1}	$V_{OL} = 0.4 \text{ V}$, $V_{OH} = 2.4 \text{ V}$		2	2	ns
Fall Time ¹	t_{f1}	$V_{OH} = 2.4 \text{ V}$, $V_{OL} = 0.4 \text{ V}$		1.74	2	ns
Duty Cycle ¹	d_{t1}	$V_T = 1.5 \text{ V}$	45	49	55	%
Skew ¹	t_{sk1}	$V_T = 1.5 \text{ V}$		290	500	ps
Jitter, Cycle-to-cycle ¹	$T_{j\text{cyc-cyc}1}$	$V_T = 1.5 \text{ V}$		290	500	ps
Jitter, One Sigma ¹	t_{j1s1}	$V_T = 1.5 \text{ V}$		30	150	ps
Jitter, Absolute ¹	t_{jabs1}	$V_T = 1.5 \text{ V}$	-250	121	250	ps

¹Guaranteed by design, not 100% tested in production.

Electrical Characteristics - 48 MHz

$T_A = 0 - 70^\circ\text{C}$; $V_{DD} = 3.3 \text{ V} \pm 5\%$; $V_{DDL} = 2.5 \text{ V} \pm 5\%$; $C_L = 20 \text{ pF}$ (unless otherwise stated)

PARAMETER	SYMBOL	CONDITIONS	MIN	TYP	MAX	UNITS
Output High Voltage	V_{OH5}	$I_{OH} = -16 \text{ mA}$	2.4	2.62		V
Output Low Voltage	V_{OL5}	$I_{OL} = 9 \text{ mA}$		0.3	0.4	V
Output High Current	I_{OH5}	$V_{OH} = 2.0 \text{ V}$		-27	-22	mA
Output Low Current	I_{OL5}	$V_{OL} = 0.8 \text{ V}$	16	22		mA
Rise Time ¹	t_{r5}	$V_{OL} = 0.4 \text{ V}, V_{OH} = 2.4 \text{ V}$		2.1	4	ns
Fall Time ¹	t_{f5}	$V_{OH} = 2.4 \text{ V}, V_{OL} = 0.4 \text{ V}$		2.2	4	ns
Duty Cycle ¹	d_{t5}	$V_T = 1.5 \text{ V}$	45	51	55	%
Jitter, Cycle-to-cycle ¹	$T_{j\text{cyc-cyc}5}$	$V_T = 1.5 \text{ V}$		488	500	ps
Jitter, One Sigma ¹	t_{j1s5}	$V_T = 1.5 \text{ V}$		0.29	3	%
Jitter, Absolute ¹	$t_{j\text{abs}5}$	$V_T = 1.5 \text{ V}$	-5	1.05	5	%

¹Guaranteed by design, not 100% tested in production.

Electrical Characteristics - REF

$T_A = 0 - 70^\circ\text{C}$; $V_{DD} = 3.3 \text{ V} \pm 5\%$, $V_{DDL} = 2.5 \text{ V} \pm 5\%$; $C_L = 20 \text{ pF}$ (unless otherwise stated)

PARAMETER	SYMBOL	CONDITIONS	MIN	TYP	MAX	UNITS
Output High Voltage	V_{OH5}	$I_{OH} = -16 \text{ mA}$	2.4	2.6		V
Output Low Voltage	V_{OL5}	$I_{OL} = 9 \text{ mA}$		0.3	0.4	V
Output High Current	I_{OH5}	$V_{OH} = 2.0 \text{ V}$		-26	-22	mA
Output Low Current	I_{OL5}	$V_{OL} = 0.8 \text{ V}$	16	22		mA
Rise Time ¹	t_{r5}	$V_{OL} = 0.4 \text{ V}, V_{OH} = 2.4 \text{ V}$		2.2	4	ns
Fall Time ¹	t_{f5}	$V_{OH} = 2.4 \text{ V}, V_{OL} = 0.4 \text{ V}$		2.2	4	ns
Duty Cycle ¹	d_{t5}	$V_T = 1.5 \text{ V}$	45	52	55	%
Jitter, Cycle-to-cycle ¹	$T_{j\text{cyc-cyc}5}$	$V_T = 1.5 \text{ V}$		600	1000	ps
Jitter, One Sigma ¹	t_{j1s5}	$V_T = 1.5 \text{ V}$		0.44	3	%
Jitter, Absolute ¹	$t_{j\text{abs}5}$	$V_T = 1.5 \text{ V}$	-5	0.94	5	%

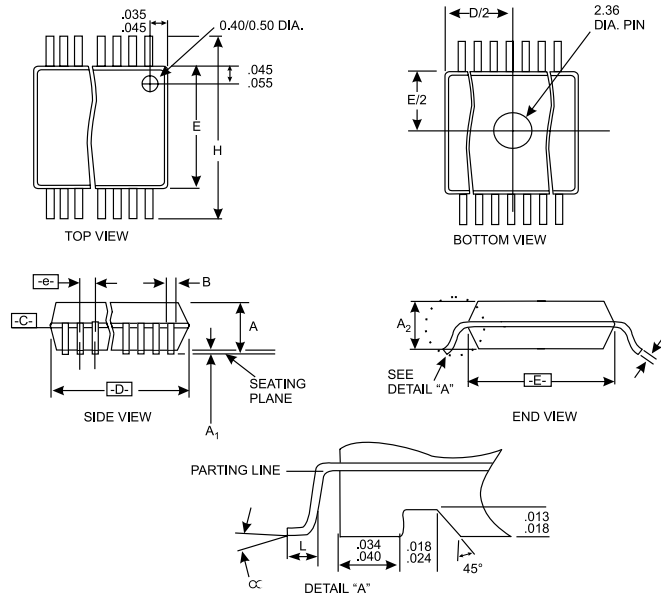
¹Guaranteed by design, not 100% tested in production.

Electrical Characteristics - IOAPIC

$T_A = 0 - 70^\circ \text{C}$; $V_{DD} = 3.3 \text{ V} \pm 5\%$, $V_{DDL} = 2.5 \text{ V} \pm 5\%$; $C_L = 20 \text{ pF}$ (unless otherwise stated)

PARAMETER	SYMBOL	CONDITIONS	MIN	TYP	MAX	UNITS
Output High Voltage	V_{OH4B}	$I_{OH} = -12.0 \text{ mA}$	2	2.24		V
Output Low Voltage	V_{OL4B}	$I_{OL} = 12.0 \text{ mA}$		0.31	0.4	V
Output High Current	I_{OH4B}	$V_{OH} = 1.7 \text{ V}$		-31	-19	mA
Output Low Current	I_{OL4B}	$V_{OL} = 0.7 \text{ V}$	19	26		mA
Rise Time ¹	T_{r4B}	$V_{OL} = 0.4 \text{ V}$, $V_{OH} = 2.0 \text{ V}$		1.46	2	ns
Fall Time ¹	T_{f4B}	$V_{OH} = 2.0 \text{ V}$, $V_{OL} = 0.4 \text{ V}$		1.44	2	ns
Duty Cycle ¹	D_{4B}	$V_T = 1.25 \text{ V}$	45	49	55	%
Skew ¹	t_{sk4B}	$V_T = 1.25 \text{ V}$		139	250	ps
Jitter, Cycle-to-cycle ¹	$T_{jcc-cyc4B}$	$V_T = 1.25 \text{ V}$		167	500	ps
Jitter, One Sigma ¹	T_{j1s4B}	$V_T = 1.25 \text{ V}$		30	150	ps
Jitter, Absolute ¹	T_{jabs4B}	$V_T = 1.25 \text{ V}$	-250	104	250	ps

¹Guaranteed by design, not 100% tested in production.



SSOP Package

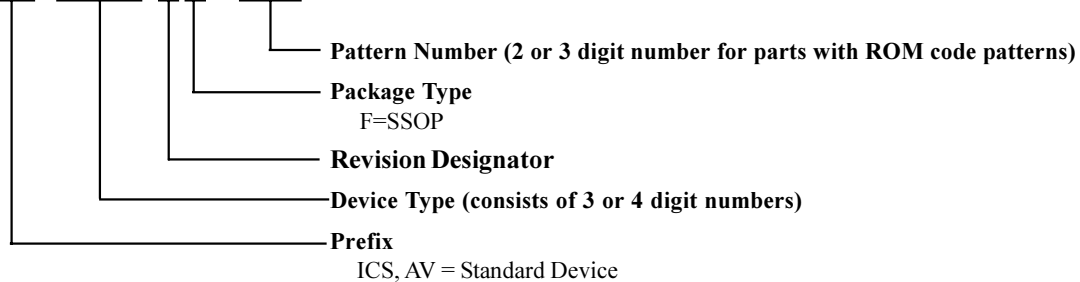
SYMBOL	COMMON DIMENSIONS			VARIATIONS	D			N
	MIN.	NOM.	MAX.		MIN.	NOM.	MAX.	
A	.095	.101	.110	AC	.620	.625	.630	48
A1	.008	.012	.016					
A2	.088	.090	.092					
B	.008	.010	.0135					
C	.005	-	.010					
D	See Variations							
E	.292	.296	.299					
e	0.025 BSC							
H	.400	.406	.410					
h	.010	.013	.016					
L	.024	.032	.040					
N	See Variations							
α	0°	5°	8°					
X	.085	.093	.100					

Ordering Information

ICS9248yF-77

Example:

ICS XXXX y F - PPP



IMPORTANT NOTICE AND DISCLAIMER

RENESAS ELECTRONICS CORPORATION AND ITS SUBSIDIARIES (“RENESAS”) PROVIDES TECHNICAL SPECIFICATIONS AND RELIABILITY DATA (INCLUDING DATASHEETS), DESIGN RESOURCES (INCLUDING REFERENCE DESIGNS), APPLICATION OR OTHER DESIGN ADVICE, WEB TOOLS, SAFETY INFORMATION, AND OTHER RESOURCES “AS IS” AND WITH ALL FAULTS, AND DISCLAIMS ALL WARRANTIES, EXPRESS OR IMPLIED, INCLUDING, WITHOUT LIMITATION, ANY IMPLIED WARRANTIES OF MERCHANTABILITY, FITNESS FOR A PARTICULAR PURPOSE, OR NON-INFRINGEMENT OF THIRD-PARTY INTELLECTUAL PROPERTY RIGHTS.

These resources are intended for developers who are designing with Renesas products. You are solely responsible for (1) selecting the appropriate products for your application, (2) designing, validating, and testing your application, and (3) ensuring your application meets applicable standards, and any other safety, security, or other requirements. These resources are subject to change without notice. Renesas grants you permission to use these resources only to develop an application that uses Renesas products. Other reproduction or use of these resources is strictly prohibited. No license is granted to any other Renesas intellectual property or to any third-party intellectual property. Renesas disclaims responsibility for, and you will fully indemnify Renesas and its representatives against, any claims, damages, costs, losses, or liabilities arising from your use of these resources. Renesas' products are provided only subject to Renesas' Terms and Conditions of Sale or other applicable terms agreed to in writing. No use of any Renesas resources expands or otherwise alters any applicable warranties or warranty disclaimers for these products.

(Disclaimer Rev.1.01)

Corporate Headquarters

TOYOSU FORESIA, 3-2-24 Toyosu,
Koto-ku, Tokyo 135-0061, Japan
www.renesas.com

Trademarks

Renesas and the Renesas logo are trademarks of Renesas Electronics Corporation. All trademarks and registered trademarks are the property of their respective owners.

Contact Information

For further information on a product, technology, the most up-to-date version of a document, or your nearest sales office, please visit www.renesas.com/contact-us/.