

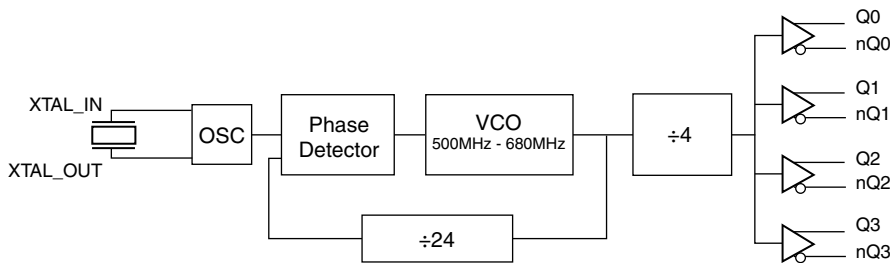
General Description

The 844244I-04 is a Serial ATA (SATA)/Serial Attached SCSI (SAS) Clock Generator. For SATA/SAS applications, a 25MHz crystal is used to produce 150MHz. The 844244I-04 has excellent <1ps phase jitter performance, over the 12kHz - 20MHz integration range. The 844244I-04-04 is packaged in a small 16-pin TSSOP, making it ideal for use in systems with limited board space.

Features

- Four differential LVDS output pairs
- Crystal oscillator interface, 18pF parallel resonant crystal (20.833MHz – 28.3MHz)
- Output frequency range: 125MHz – 170MHz
- VCO range: 500MHz – 680MHz
- RMS phase jitter at 150MHz, using a 25MHz crystal (12kHz – 20MHz): 0.9ps (typical) @ 3.3V
- Full 3.3V or 2.5V output supply modes
- -40°C to 85°C ambient operating temperature
- Available in lead-free (RoHS 6) package

Block Diagram



Pin Assignment

| | | | |
|------------------|---|----|-----------------|
| Q2 | 1 | 16 | Q0 |
| nQ2 | 2 | 15 | nQ0 |
| V _{DD} | 3 | 14 | V _{DD} |
| Q3 | 4 | 13 | Q1 |
| nQ3 | 5 | 12 | nQ1 |
| GND | 6 | 11 | GND |
| V _{DDA} | 7 | 10 | XTAL_IN |
| V _{DD} | 8 | 9 | XTAL_OUT |

844244I-04

16 Lead TSSOP

4.4mm x 5.0mm package body

Table 1. Pin Descriptions

| Number | Name | Type | Description |
|----------|-------------------|--------|---|
| 1, 2 | Q2, nQ2 | Output | Differential clock output pair. LVDS interface levels. |
| 3, 8, 14 | V _{DD} | Power | Core supply pins. |
| 4, 5 | Q3, nQ3 | Output | Differential clock output pair. LVDS interface levels. |
| 6, 11 | GND | Power | Power supply ground. |
| 7 | V _{DDA} | Power | Analog supply pin. |
| 9, 10 | XTAL_OUT, XTAL_IN | Input | Crystal oscillator interface. XTAL_IN is the input, XTAL_OUT is the output. |
| 12, 13 | nQ1, Q1 | Output | Differential clock output pair. LVDS interface levels. |
| 15, 16 | nQ0, Q0 | Output | Differential clock output pair. LVDS interface levels. |

Absolute Maximum Ratings

NOTE: Stresses beyond those listed under *Absolute Maximum Ratings* may cause permanent damage to the device. These ratings are stress specifications only. Functional operation of product at these conditions or any conditions beyond those listed in the *DC Characteristics* or *AC Characteristics* is not implied. Exposure to absolute maximum rating conditions for extended periods may affect product reliability.

| Item | Rating |
|--|--|
| Supply Voltage, V _{DD} | 4.6V |
| Inputs, V _I XTAL_IN Other Inputs | 0V to V _{DD} -0.5V to V _{DD} + 0.5V |
| Outputs, I _O Continuous Current Surge Current | 10mA 15mA |
| Package Thermal Impedance, θ_{JA} | 92.4°C/W (0 mps) |
| Storage Temperature, T _{STG} | -65°C to 150°C |

DC Electrical Characteristics

Table 2A. Power Supply DC Characteristics, V_{DD} = 3.3V ± 5%, T_A = -40°C to 85°C

| Symbol | Parameter | Test Conditions | Minimum | Typical | Maximum | Units |
|------------------|-----------------------|-----------------|------------------------|---------|-----------------|-------|
| V _{DD} | Core Supply Voltage | | 3.135 | 3.3 | 3.465 | V |
| V _{DDA} | Analog Supply Voltage | | V _{DD} - 0.10 | 3.3 | V _{DD} | V |
| I _{DD} | Power Supply Current | | | | 121 | mA |
| I _{DDA} | Analog Supply Current | | | | 10 | mA |

Table 2B. Power Supply DC Characteristics, $V_{DD} = 2.5V \pm 5\%$, $T_A = -40^\circ\text{C}$ to 85°C

| Symbol | Parameter | Test Conditions | Minimum | Typical | Maximum | Units |
|-----------|-----------------------|-----------------|-----------------|---------|----------|-------|
| V_{DD} | Core Supply Voltage | | 2.375 | 2.5 | 2.625 | V |
| V_{DDA} | Analog Supply Voltage | | $V_{DD} - 0.10$ | 2.5 | V_{DD} | V |
| I_{DD} | Power Supply Current | | | | 115 | mA |
| I_{DDA} | Analog Supply Current | | | | 10 | mA |

Table 2C. LVCMOS/LVTTL DC Characteristics, $V_{DD} = 3.3V \pm 5\%$ or $2.5V \pm 5\%$, $T_A = -40^\circ\text{C}$ to 85°C

| Symbol | Parameter | Test Conditions | Minimum | Typical | Maximum | Units |
|----------|--------------------|-------------------------|---------|---------|----------------|-------|
| V_{IH} | Input High Voltage | $V_{DD} = 3.3V \pm 5\%$ | 2 | | $V_{DD} + 0.3$ | V |
| | | $V_{DD} = 2.5V \pm 5\%$ | 1.7 | | $V_{DD} + 0.3$ | V |
| V_{IL} | Input Low Voltage | $V_{DD} = 3.3V \pm 5\%$ | -0.3 | | 0.8 | V |
| | | $V_{DD} = 2.5V \pm 5\%$ | -0.3 | | 0.7 | V |

Table 2D. LVDS DC Characteristics, $V_{DD} = 3.3V \pm 5\%$, $T_A = -40^\circ\text{C}$ to 85°C

| Symbol | Parameter | Test Conditions | Minimum | Typical | Maximum | Units |
|-----------------|-----------------------------|-----------------|---------|---------|---------|-------|
| V_{OD} | Differential Output Voltage | | 240 | | 460 | mV |
| ΔV_{OD} | V_{OD} Magnitude Change | | | | 50 | mV |
| V_{OS} | Offset Voltage | | 1.17 | | 1.52 | V |
| ΔV_{OS} | V_{OS} Magnitude Change | | | | 50 | mV |

Table 2E. LVDS DC Characteristics, $V_{DD} = 2.5V \pm 5\%$, $T_A = -40^\circ\text{C}$ to 85°C

| Symbol | Parameter | Test Conditions | Minimum | Typical | Maximum | Units |
|-----------------|-----------------------------|-----------------|---------|---------|---------|-------|
| V_{OD} | Differential Output Voltage | | 240 | | 460 | mV |
| ΔV_{OD} | V_{OD} Magnitude Change | | | | 50 | mV |
| V_{OS} | Offset Voltage | | 1.10 | | 1.40 | V |
| ΔV_{OS} | V_{OS} Magnitude Change | | | | 50 | mV |

Table 3. Crystal Characteristics

| Parameter | Test Conditions | Minimum | Typical | Maximum | Units |
|------------------------------------|-----------------|-------------|---------|---------|----------|
| Mode of Oscillation | | Fundamental | | | |
| Frequency | | 20.833 | 25 | 28.3 | MHz |
| Equivalent Series Resistance (ESR) | | | | 50 | Ω |
| Shunt Capacitance | | | | 7 | pF |

AC Electrical Characteristics

Table 4A. AC Characteristics, $V_{DD} = 3.3V \pm 5\%$, $T_A = -40^\circ C$ to 85°

| Symbol | Parameter | Test Conditions | Minimum | Typical | Maximum | Units |
|----------------------|----------------------------------|---|---------|---------|---------|-------|
| f_{OUT} | Output Frequency | | 125 | 150 | 170 | MHz |
| $f_{jit}(\emptyset)$ | RMS Phase Jitter, Random; NOTE 1 | 150MHz, Integration Range: 12kHz – 20MHz | | 0.9 | | ps |
| $t_{sk(o)}$ | Output Skew; NOTE 2, 3 | | | | 65 | ps |
| t_R / t_F | Output Rise/Fall Time | 20% to 80% | 250 | | 650 | ps |
| odc | Output Duty Cycle | | 48 | | 52 | % |

NOTE: Electrical parameters are guaranteed over the specified ambient operating temperature range, which is established when the device is mounted in a test socket with maintained transverse airflow greater than 500 lpm. The device will meet specifications after thermal equilibrium has been reached under these conditions.

NOTE: Characterized using a 25MHz crystal, f_{OUT} @ 150MHz.

NOTE 1: Refer to Phase Noise Plots.

NOTE 2: This parameter is defined in accordance with JEDEC Standard 65.

NOTE 3: Defined as skew between outputs at the same supply voltage and with equal load conditions. Measured at the output differential cross points.

Table 4B. AC Characteristics, $V_{DD} = 2.5V \pm 5\%$, $T_A = -40^\circ C$ to 85°

| Symbol | Parameter | Test Conditions | Minimum | Typical | Maximum | Units |
|----------------------|----------------------------------|---|---------|---------|---------|-------|
| f_{OUT} | Output Frequency | | 125 | 150 | 170 | MHz |
| $f_{jit}(\emptyset)$ | RMS Phase Jitter, Random; NOTE 1 | 150MHz, Integration Range: 12kHz – 20MHz | | 1.1 | | ps |
| $t_{sk(o)}$ | Output Skew; NOTE 2, 3 | | | | 65 | ps |
| t_R / t_F | Output Rise/Fall Time | 20% to 80% | 200 | | 650 | ps |
| odc | Output Duty Cycle | | 48 | | 52 | % |

NOTE: Electrical parameters are guaranteed over the specified ambient operating temperature range, which is established when the device is mounted in a test socket with maintained transverse airflow greater than 500 lpm. The device will meet specifications after thermal equilibrium has been reached under these conditions.

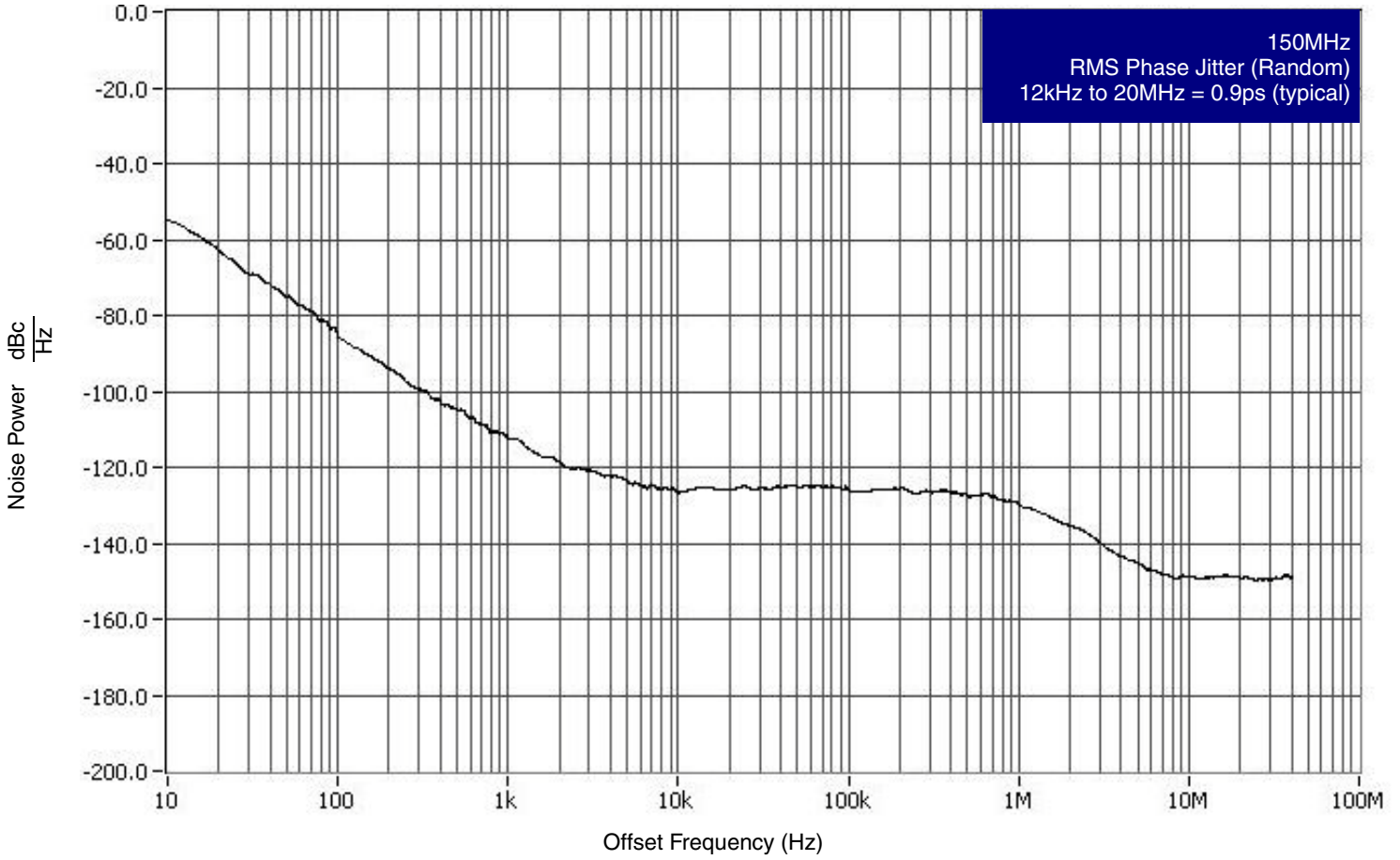
NOTE: Characterized using a 25MHz crystal, f_{OUT} @ 150MHz.

NOTE 1: Refer to Phase Noise Plots.

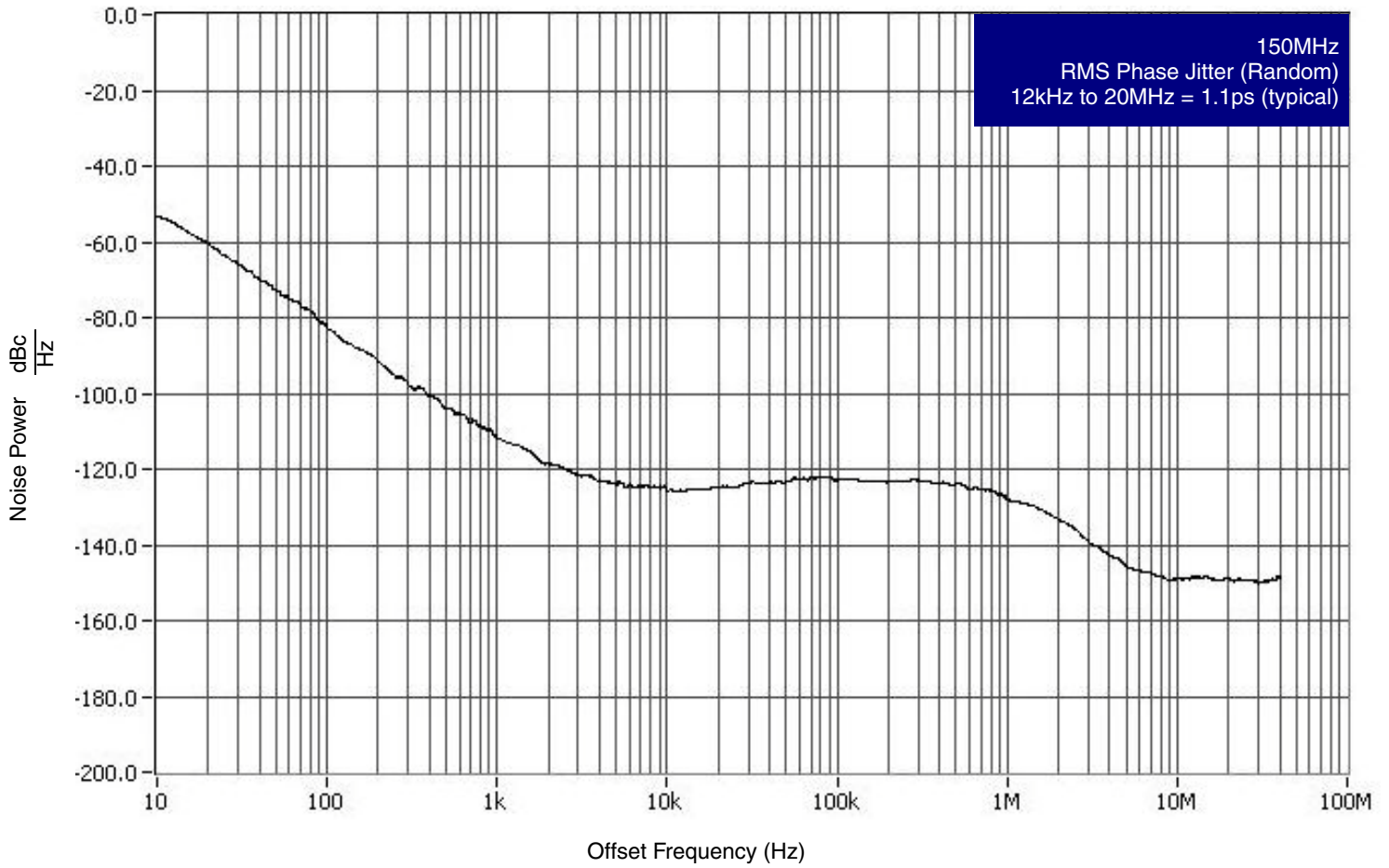
NOTE 2: This parameter is defined in accordance with JEDEC Standard 65.

NOTE 3: Defined as skew between outputs at the same supply voltage and with equal load conditions. Measured at the output differential cross points.

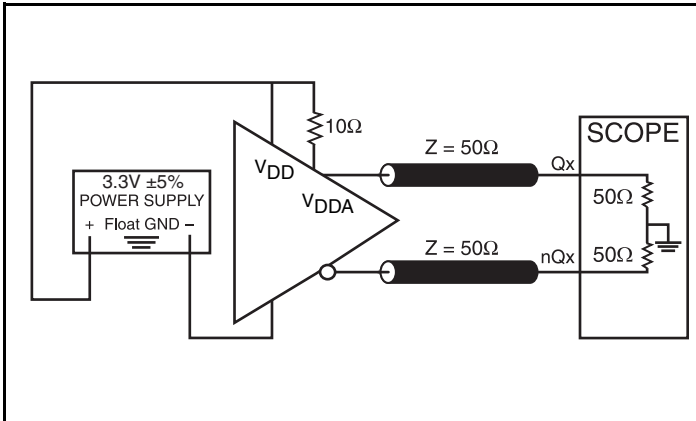
Typical Phase Noise at 150MHz (3.3V)



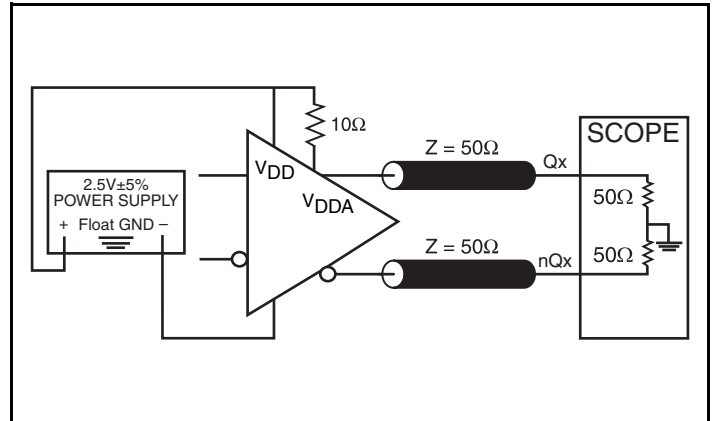
Typical Phase Noise at 150MHz (2.5V)



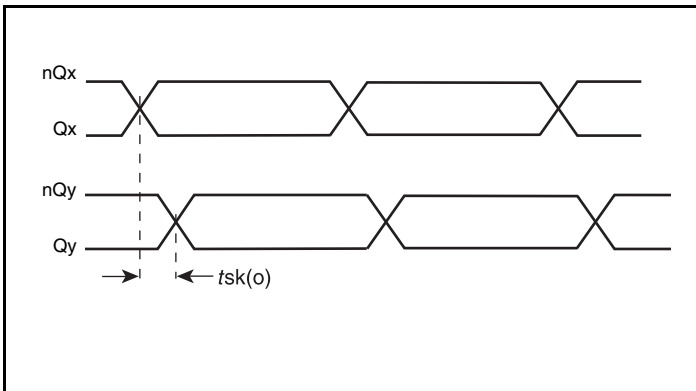
Parameter Measurement Information



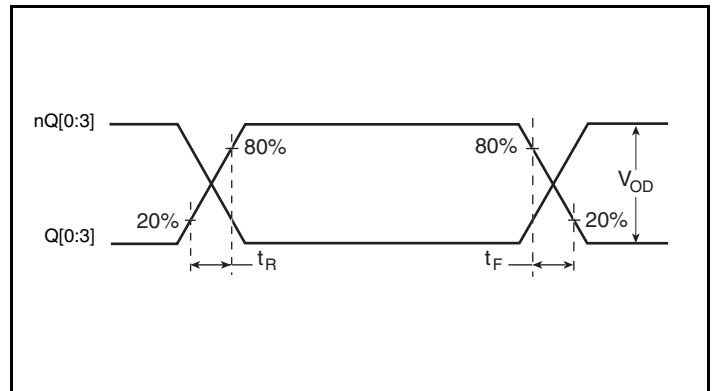
3.3V LVDS Output Load AC Test Circuit



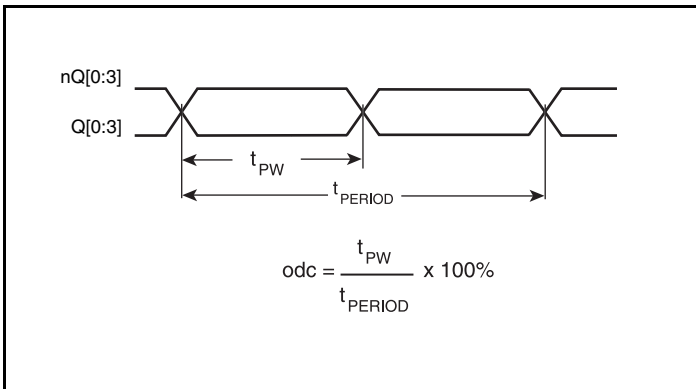
2.5V LVDS Output Load AC Test Circuit



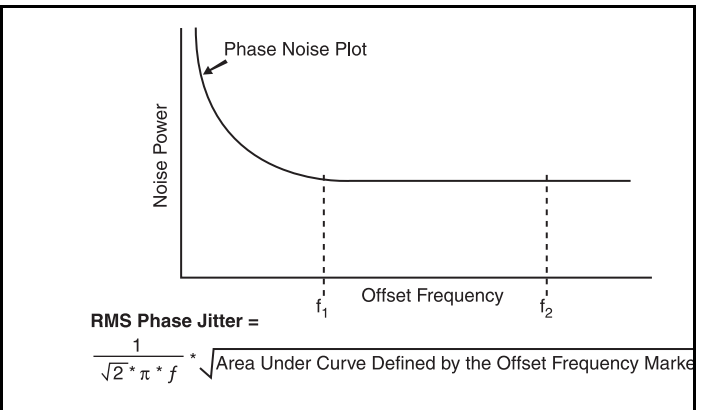
Output Skew



Output Rise/Fall Time

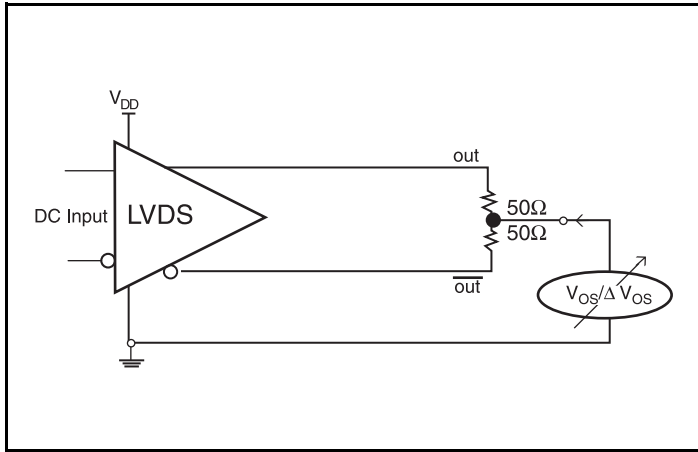


Output Duty Cycle/Pulse Width/Period

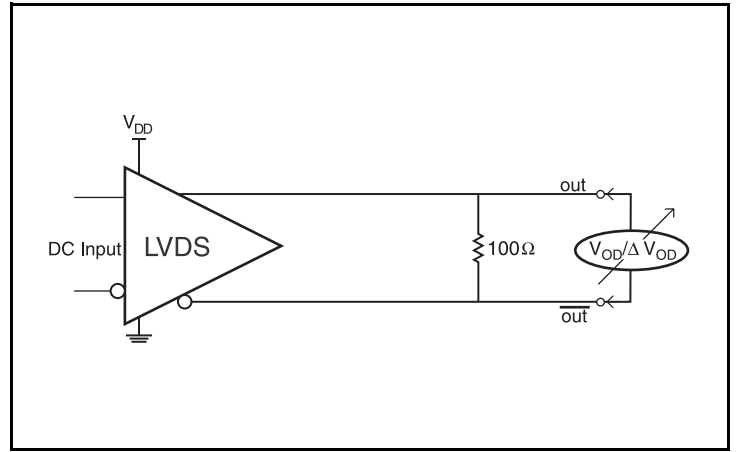


RMS Phase Jitter

Parameter Measurement Information, continued



Offset Voltage Setup



Differential Output Voltage Setup

Application Information

Power Supply Filtering Technique

As in any high speed analog circuitry, the power supply pins are vulnerable to random noise. To achieve optimum jitter performance, power supply isolation is required. The 844244I-04 provides separate power supplies to isolate any high switching noise from the outputs to the internal PLL. V_{DD} and V_{DDA} should be individually connected to the power supply plane through vias, and $0.01\mu\text{F}$ bypass capacitors should be used for each pin. *Figure 1* illustrates this for a generic V_{DD} pin and also shows that V_{DDA} requires that an additional 10Ω resistor along with a $10\mu\text{F}$ bypass capacitor be connected to the V_{DDA} pin.

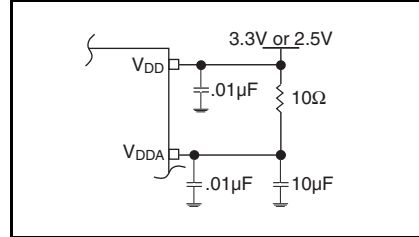


Figure 1. Power Supply Filtering

Crystal Input Interface

The 844244I-04 has been characterized with 18pF parallel resonant crystals. The capacitor values, $C1$ and $C2$, shown in *Figure 2* below were determined using a 25MHz , 18pF parallel resonant crystal and were chosen to minimize the ppm error. The optimum $C1$ and $C2$ values can be slightly adjusted for different board layouts.

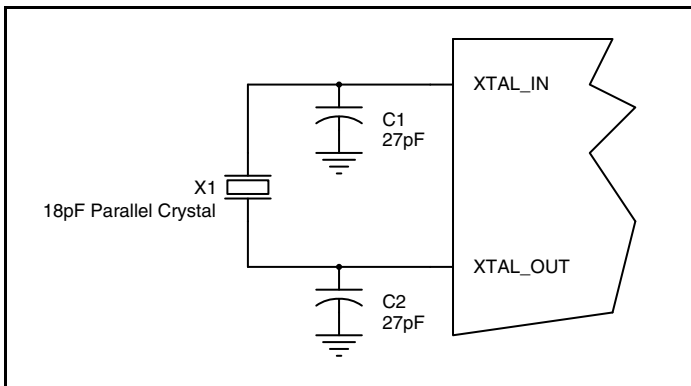


Figure 2. Crystal Input Interface

Overdriving the XTAL Interface

The XTAL_IN input can be overdriven by an LVCMOS driver or by one side of a differential driver through an AC coupling capacitor. The XTAL_OUT pin can be left floating. The amplitude of the input signal should be between 500mV and 1.8V and the slew rate should not be less than 0.2V/ns. For 3.3V LVCMOS inputs, the amplitude must be reduced from full swing to at least half the swing in order to prevent signal interference with the power rail and to reduce internal noise. *Figure 3A* shows an example of the interface diagram for a high speed 3.3V LVCMOS driver. This configuration requires that the sum of the output impedance of the driver (R_o) and the series resistance (R_s) equals the transmission line impedance. In addition, matched termination at the crystal input will attenuate the signal in half. This

can be done in one of two ways. First, R_1 and R_2 in parallel should equal the transmission line impedance. For most 50Ω applications, R_1 and R_2 can be 100Ω. This can also be accomplished by removing R_1 and changing R_2 to 50Ω. The values of the resistors can be increased to reduce the loading for a slower and weaker LVCMOS driver. *Figure 3B* shows an example of the interface diagram for an LVPECL driver. This is a standard LVPECL termination with one side of the driver feeding the XTAL_IN input. It is recommended that all components in the schematics be placed in the layout. Though some components might not be used, they can be utilized for debugging purposes. The datasheet specifications are characterized and guaranteed by using a quartz crystal as the input.

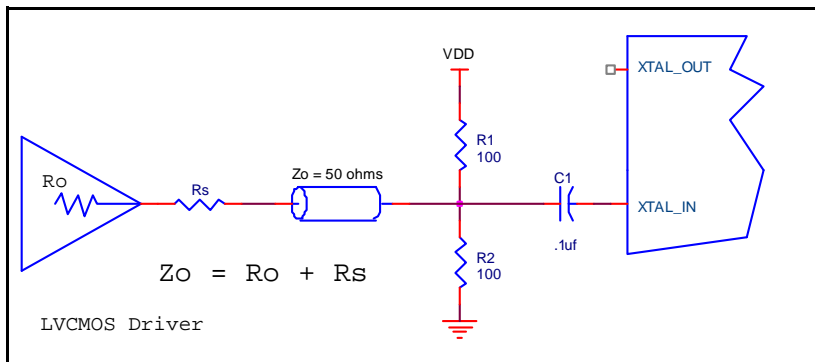


Figure 3A. General Diagram for LVCMOS Driver to XTAL Input Interface

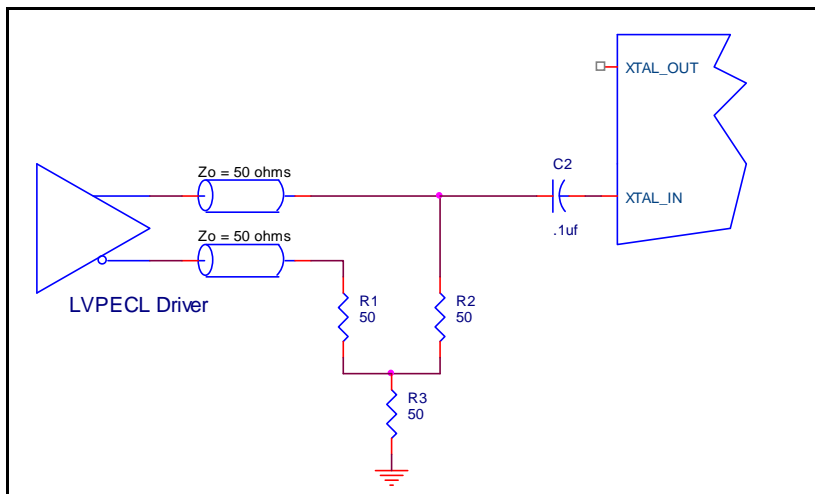


Figure 3B. General Diagram for LVPECL Driver to XTAL Input Interface

Recommendations for Unused Output Pins

Outputs:

LVDS Outputs

All unused LVDS output pairs can be either left floating or terminated with 100Ω across. If they are left floating, we recommend that there is no trace attached.

LVDS Driver Termination

For a general LVDS interface, the recommended value for the termination impedance (Z_T) is between 90Ω and 132Ω . The actual value should be selected to match the differential impedance (Z_0) of your transmission line. A typical point-to-point LVDS design uses a 100Ω parallel resistor at the receiver and a 100Ω differential transmission-line environment. In order to avoid any transmission-line reflection issues, the components should be surface mounted and must be placed as close to the receiver as possible. IDT offers a full line of LVDS compliant devices with two types of output structures: current source and voltage source. The standard termination schematic as shown in Figure 4A can be used

with either type of output structure. Figure 4B, which can also be used with both output types, is an optional termination with center tap capacitance to help filter common mode noise. The capacitor value should be approximately 50pF . If using a non-standard termination, it is recommended to contact IDT and confirm if the output structure is current source or voltage source type. In addition, since these outputs are LVDS compatible, the input receiver's amplitude and common-mode input range should be verified for compatibility with the output.

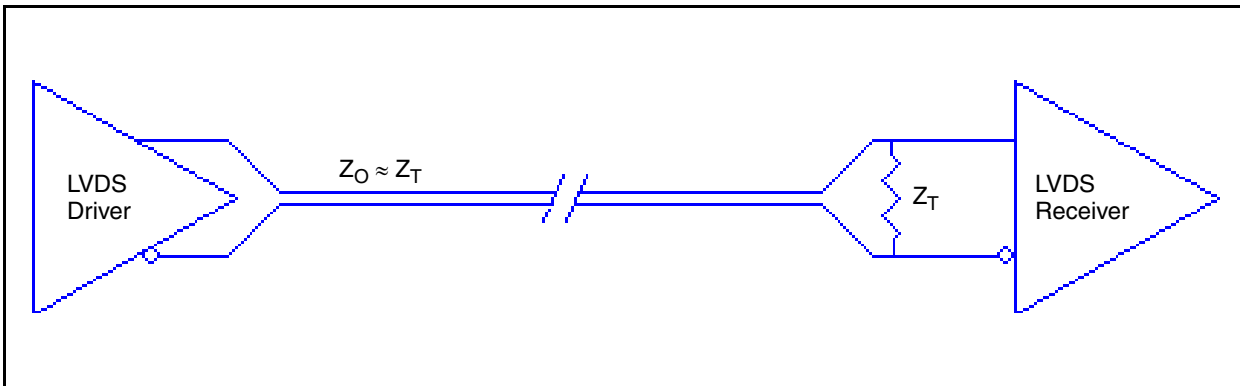


Figure 4A. Standard LVDS Termination

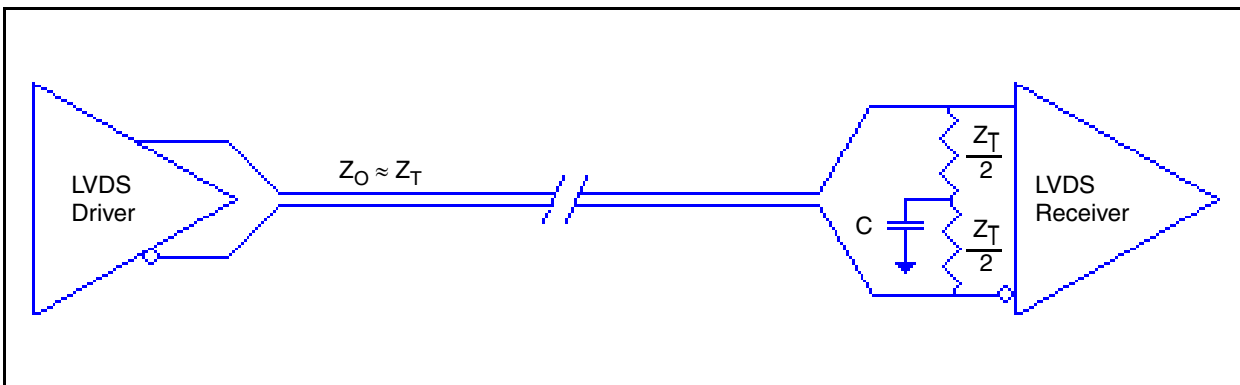


Figure 4B. Optional LVDS Termination

Application Schematic Example

Figure 5 shows an example of 844244I-04 application schematic. In this example, the device is operated at $V_{DD} = 3.3V$. The decoupling capacitor should be located as close as possible to the power pin. The 18pF parallel resonant 25MHz crystal is used. The $C1 = 27pF$

and $C2 = 27pF$ are recommended for frequency accuracy. For different board layouts, the $C1$ and $C2$ may be slightly adjusted for optimizing frequency accuracy. For the LVDS output drivers, place a 100Ω resistor as close to the receiver as possible.

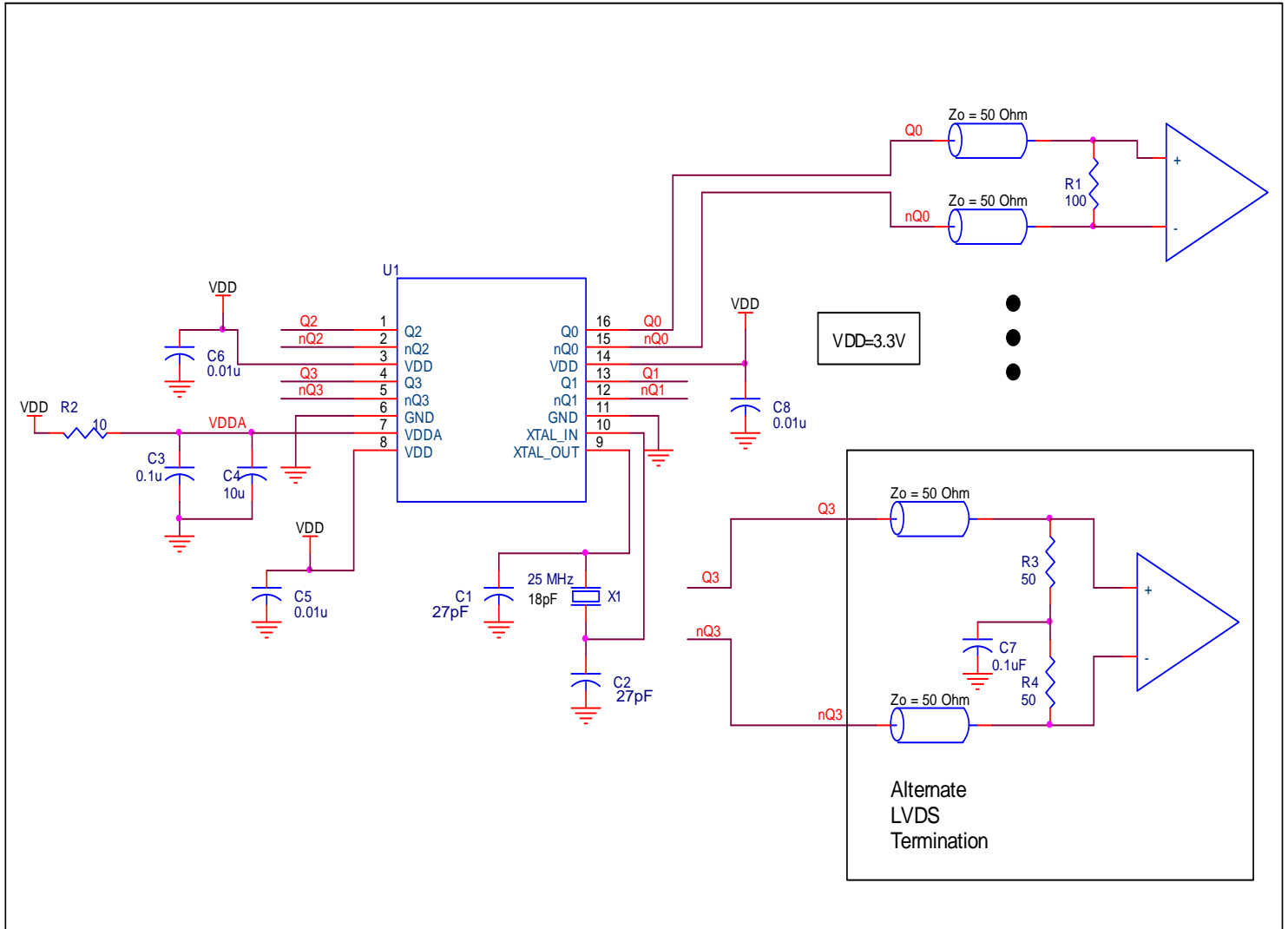


Figure 5. 844244I-04 Application Schematic

Power Considerations

This section provides information on power dissipation and junction temperature for the 844244I-04. Equations and example calculations are also provided.

1. Power Dissipation.

The total power dissipation for the 844244I-04 is the sum of the core power plus the analog power plus the power dissipation in the load(s). The following is the power dissipation for $V_{DD} = 3.3V + 5\% = 3.465V$, which gives worst case results.

NOTE: Please refer to Section 3 for details on calculating power dissipation in the load.

- Power (core)_{MAX} = $V_{DD_MAX} * (I_{DD_MAX} + I_{DDA_MAX}) = 3.465V * (121mA + 10mA) = 453.9mW$

2. Junction Temperature.

Junction temperature, T_j , is the temperature at the junction of the bond wire and bond pad, and directly affects the reliability of the device. The maximum recommended junction temperature is 125°C. Limiting the internal transistor junction temperature, T_j , to 125°C ensures that the bond wire and bond pad temperature remains below 125°C.

The equation for T_j is as follows: $T_j = \theta_{JA} * Pd_total + T_A$

T_j = Junction Temperature

θ_{JA} = Junction-to-Ambient Thermal Resistance

Pd_total = Total Device Power Dissipation (example calculation is in section 1 above)

T_A = Ambient Temperature

In order to calculate junction temperature, the appropriate junction-to-ambient thermal resistance θ_{JA} must be used. Assuming a moderate air flow of 1 meter per second and a multi-layer board, the appropriate value is 88°C/W per Table 5 below.

Therefore, T_j for an ambient temperature of 85°C with all outputs switching is:

$$85^\circ\text{C} + 0.4539W * 88^\circ\text{C/W} = 124.9^\circ\text{C}. \text{ This is below the limit of } 125^\circ\text{C}.$$

This calculation is only an example. T_j will obviously vary depending on the number of loaded outputs, supply voltage, air flow and the type of board (multi-layer).

Table 5. Thermal Resistance θ_{JA} for 16 Lead TSSOP, Forced Convection

| Meters per Second | θ_{JA} by Velocity | | |
|---|---------------------------|----------|----------|
| | 0 | 1 | 2.5 |
| Multi-Layer PCB, JEDEC Standard Test Boards | 92.4°C/W | 88.0°C/W | 85.9°C/W |

Reliability Information

Table 6. θ_{JA} vs. Air Flow Table for a 16 Lead TSSOP

| θ_{JA} vs. Air Flow | | | |
|---|----------|----------|----------|
| Meters per Second | 0 | 1 | 2.5 |
| Multi-Layer PCB, JEDEC Standard Test Boards | 92.4°C/W | 88.0°C/W | 85.9°C/W |

Transistor Count

The transistor count for 844244I-04 is: 1990

Package Outline and Package Dimensions

Package Outline - G Suffix for 8 Lead TSSOP

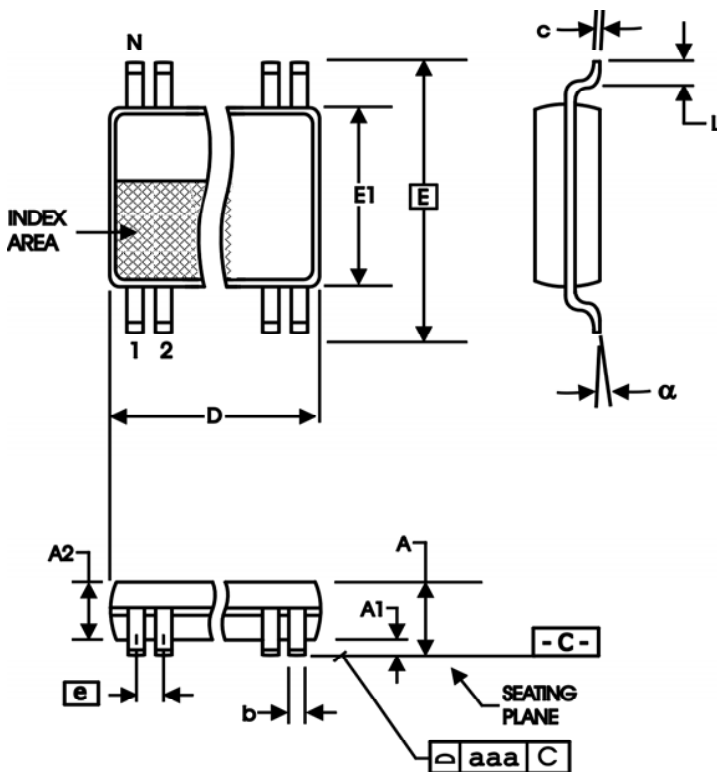


Table 7. Package Dimensions

| All Dimensions in Millimeters | | |
|-------------------------------|------------|---------|
| Symbol | Minimum | Maximum |
| N | 16 | |
| A | | 1.20 |
| A1 | 0.05 | 0.15 |
| A2 | 0.80 | 1.05 |
| b | 0.19 | 0.30 |
| c | 0.09 | 0.20 |
| D | 4.90 | 5.10 |
| E | 6.40 Basic | |
| E1 | 4.30 | 4.50 |
| e | 0.65 Basic | |
| L | 0.45 | 0.75 |
| α | 0° | 8° |
| aaa | | 0.10 |

Reference Document: JEDEC Publication 95, MO-153

Ordering Information

Table 8. Ordering Information

| Part/Order Number | Marking | Package | Shipping Packaging | Temperature |
|-------------------|----------|---------------------------|--------------------|---------------|
| 844244AGI-04LF | 244AI04L | "Lead-Free" 16 Lead TSSOP | Tube | -40°C to 85°C |
| 844244AGI-04LFT | 244AI04L | "Lead-Free" 16 Lead TSSOP | Tape & Reel | -40°C to 85°C |

Revision History Sheet

| Rev | Table | Page | Description of Change | Date |
|-----|-------|------|---|----------|
| B | T8 | 1 | Updated header/footer through the datasheet. Deleted IDT prefix from part number. | 10/15/15 |
| | | 10 | Features Section - deleted leaded information in the last bullet. | |
| | | 11 | Updated <i>Overdriving the XTAL Interface</i> application note. | |
| | | 15 | Updated <i>LVDS Driver Termination</i> application note. Ordering Information table - deleted leaded parts rows. | |



Corporate Headquarters
6024 Silver Creek Valley Road
San Jose, CA 95138 USA

Sales
1-800-345-7015 or 408-284-8200
Fax: 408-284-2775
www.IDT.com

Tech Support
email: clocks@idt.com

DISCLAIMER Integrated Device Technology, Inc. (IDT) and its subsidiaries reserve the right to modify the products and/or specifications described herein at any time and at IDT's sole discretion. All information in this document, including descriptions of product features and performance, is subject to change without notice. Performance specifications and the operating parameters of the described products are determined in the independent state and are not guaranteed to perform the same way when installed in customer products. The information contained herein is provided without representation or warranty of any kind, whether express or implied, including, but not limited to, the suitability of IDT's products for any particular purpose, an implied warranty of merchantability, or non-infringement of the intellectual property rights of others. This document is presented only as a guide and does not convey any license under intellectual property rights of IDT or any third parties.

IDT's products are not intended for use in applications involving extreme environmental conditions or in life support systems or similar devices where the failure or malfunction of an IDT product can be reasonably expected to significantly affect the health or safety of users. Anyone using an IDT product in such a manner does so at their own risk, absent an express, written agreement by IDT.

While the information presented herein has been checked for both accuracy and reliability, Integrated Device Technology (IDT) assumes no responsibility for either its use or for the infringement of any patents or other rights of third parties, which would result from its use. No other circuits, patents, or licenses are implied. This product is intended for use in normal commercial applications. Any other applications, such as those requiring extended temperature ranges, high reliability or other extraordinary environmental requirements are not recommended without additional processing by IDT. IDT reserves the right to change any circuitry or specifications without notice. IDT does not authorize or warrant any IDT product for use in life support devices or critical medical instruments.

Integrated Device Technology, IDT and the IDT logo are registered trademarks of IDT. Product specification subject to change without notice. Other trademarks and service marks used herein, including protected names, logos and designs, are the property of IDT or their respective third party owners.

Copyright ©2015 Integrated Device Technology, Inc. All rights reserved.