

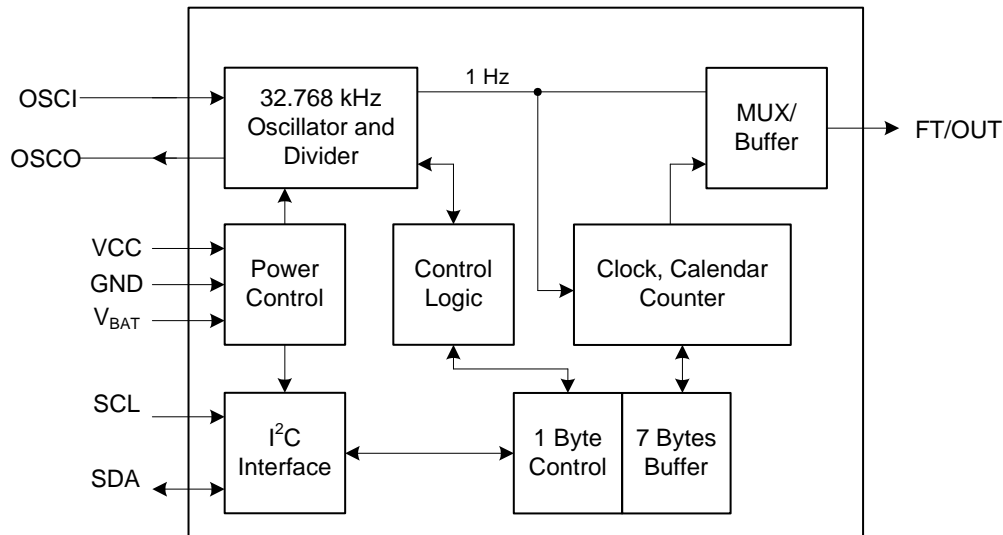
## Description

The IDT5P90005C is a serial real-time clock (RTC) device that consumes ultra-low power and provides a full binary-coded decimal (BCD) clock/calendar. The clock/calendar provides seconds, minutes, hours, day, date, month, and year information. The clock operates in either the 24-hour or 12-hour format with AM/PM indicator. The end of the month date is automatically adjusted for months with fewer than 31 days, including corrections for leap year. Access to the clock/calendar registers is provided by an I<sup>2</sup>C interface capable of operating in fast I<sup>2</sup>C mode. Built-in Power-sense circuitry detects power failures and automatically switches to the backup supply, maintaining time and date operation.

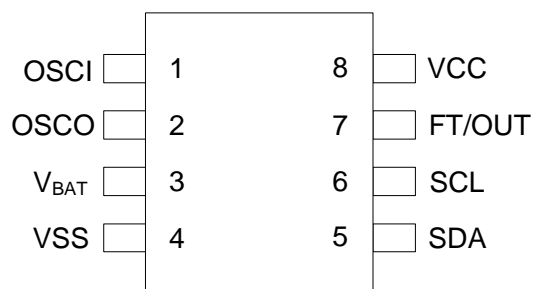
## Features

- Packaged in 8-pin SOIC, RoHS compliant
- Counters for seconds, minutes, hours, days, date, months, years, and century
- 32kHz crystal oscillator integrating load capacitance (12.5 pF) providing exceptional oscillator stability and high crystal series resistance operation
- Serial interface supports I<sup>2</sup>C bus (100 or 400kHz protocol)
- Ultra low battery supply current of 0.8µA (typical at 3V)
- 2.0 to 5.5V clock operating voltage
- Automatic switch over and deselect circuitry
- Automatic leap year compensation
- Extended commercial operating temperature (0 to +85°C)

## Block Diagram



## Pin Assignment



8-Pin (150 mil) SOIC

## Pin Descriptions

Pin Number	Pin Name	Pin Type	Pin Description
1	OSCI	Input	Oscillator input.
2	OSCO	Output	Oscillator output.
3	V <sub>BAT</sub>	Power	Battery supply voltage.
4	VSS	Power	Connect to ground.
5	SDA	I/O	Serial data address input/output.
6	SCL	Input	Serial clock.
7	FT/OUT	Output	Frequency test/output driver (open drain).
8	VCC	Power	Supply voltage.

## Device Operation

The IDT5P90005C clock operates as a slave device on the serial bus. Access is obtained by implementing a start condition followed by the correct slave address (D0h). The 8 bytes contained in the device can then be accessed sequentially in the following order:

- 1st byte: seconds register
- 2nd byte: minutes register
- 3rd byte: century/hours register
- 4th byte: day register
- 5th byte: date register
- 6th byte: month register
- 7th byte: years register
- 8th byte: control register

The IDT5P90005C clock continually monitors VCC for an out-of-tolerance condition. Should VCC fall below VSO, the device terminates an access in progress and resets the device address counter. Inputs to the device will not be recognized at this time, to prevent erroneous data from being written to the device from an out-of-tolerance system. When VCC falls below VSO, the device automatically switches over to the battery and powers down into an ultra low current mode of operation to conserve battery life. Upon power-up, the device switches from battery to VCC at VSO and recognizes inputs.

## I<sup>2</sup>C Serial Data Bus

The IDT5P90005C supports the I<sup>2</sup>C bus protocol. A device that sends data onto the bus is defined as a transmitter and a device receiving data as a receiver. The device that controls the message is called a master. The devices that are controlled by the master are referred to as slaves. The bus must be controlled by a master device that generates the serial clock (SCL), controls the bus access, and generates the START and STOP conditions. The IDT5P90005C operates as a slave on the I<sup>2</sup>C bus. Within the bus specifications, a standard mode (100 kHz maximum clock rate) and a fast mode (400 kHz maximum clock rate) are defined. The IDT5P90005C works in both modes. Connections to the bus are made via the open-drain I/O lines SDA and SCL.

The following bus protocol has been defined (see the “Data Transfer on I<sup>2</sup>C Serial Bus” figure):

- Data transfer may be initiated only when the bus is not busy.
- During data transfer, the data line must remain stable whenever the clock line is HIGH. Changes in the data line while the clock line is HIGH are interpreted as control signals.

Accordingly, the following bus conditions have been defined:

**Bus not busy:** Both data and clock lines remain HIGH.

**Start data transfer:** A change in the state of the data line, from HIGH to LOW, while the clock is HIGH, defines a START condition.

**Stop data transfer:** A change in the state of the data line, from LOW to HIGH, while the clock line is HIGH, defines the STOP condition.

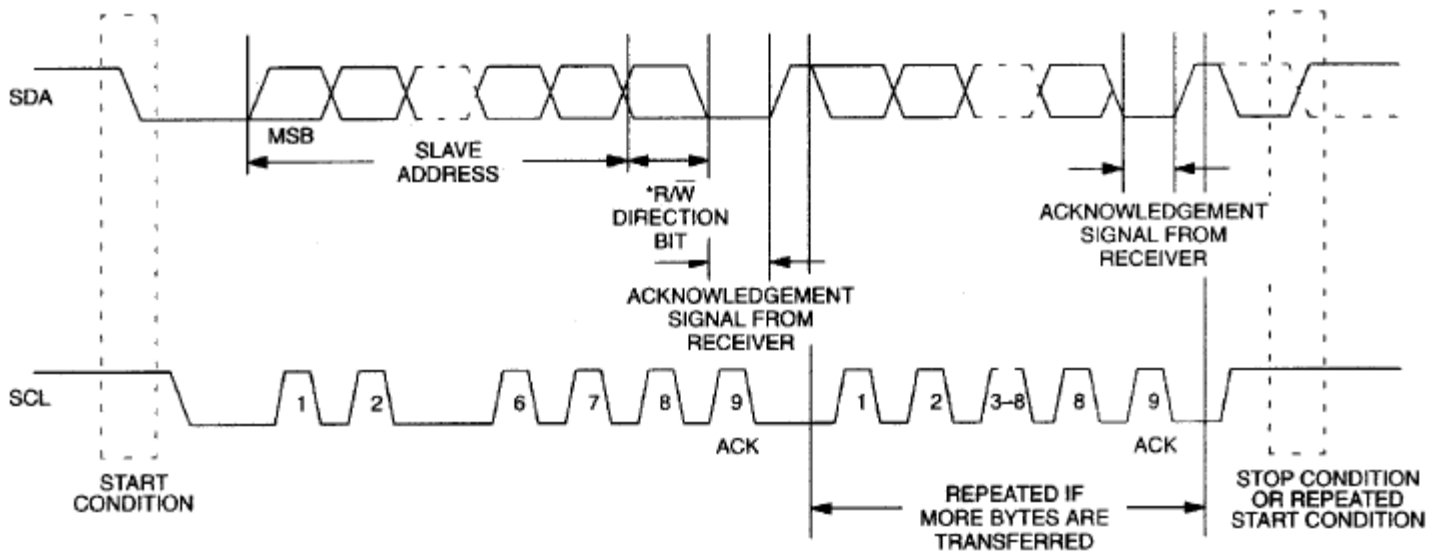
**Data valid:** The state of the data line represents valid data when, after a START condition, the data line is stable for the duration of the HIGH period of the clock signal. The data on the line must be changed during the LOW period of the clock signal. There is one clock pulse per bit of data.

Each data transfer is initiated with a START condition and terminated with a STOP condition. The number of data bytes transferred between START and STOP conditions is not limited, and is determined by the master device. The information is transferred byte-wise and each receiver acknowledges with a ninth bit.

**Acknowledge:** Each receiving device, when addressed, is obliged to generate an acknowledge after the reception of each byte. The master device must generate an extra clock pulse that is associated with this acknowledge bit.

A device that acknowledges must pull down the SDA line during the acknowledge clock pulse in such a way that the SDA line is stable LOW during the HIGH period of the acknowledge related clock pulse. Of course, setup and hold times must be taken into account. A master must signal an end of data to the slave by not generating an acknowledge bit on the last byte that has been clocked out of the slave. In this case, the slave must leave the data line HIGH to enable the master to generate the STOP condition.

## Data Transfer on I<sup>2</sup>C Serial Bus



Depending upon the state of the  $R/\bar{W}$  bit, two types of data transfer are possible:

1) **Data transfer from a master transmitter to a slave receiver.** The first byte transmitted by the master is the slave address. Next follows a number of data bytes. The slave returns an acknowledge bit after each received byte. Data is transferred with the most significant bit (MSB) first.

2) **Data transfer from a slave transmitter to a master receiver.** The first byte (the slave address) is transmitted by the master. The slave then returns an acknowledge bit. This is followed by the slave transmitting a number of data bytes. The master returns an acknowledge bit after all received bytes other than the last byte. At the end of the last received byte, a “not acknowledge” is returned. The master device generates all of the serial clock pulses and the START and STOP conditions. A transfer is ended with a STOP condition or with a repeated START condition. Since a repeated START condition is also the beginning of the next serial transfer, the bus is not released. Data is transferred with the most significant bit (MSB) first.

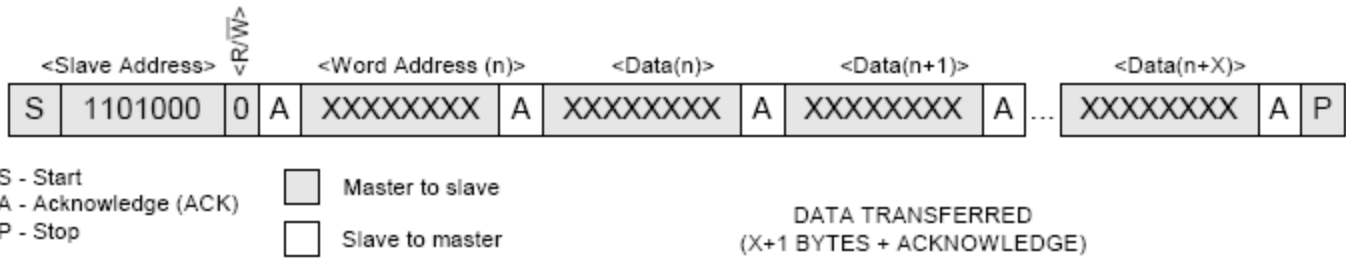
The IDT5P90005C can operate in the following two modes:

1) **Slave Receiver Mode (Write Mode):** Serial data and clock are received through SDA and SCL. After each byte is received an acknowledge bit is transmitted. START and STOP conditions are recognized as the beginning and end of a serial transfer. Address recognition is performed by hardware after reception of the slave address and direction bit (see the “Data Write–Slave Receiver Mode” figure). The slave address byte is the first byte received after the START condition is generated by the master. The slave address byte contains the 7-bit IDT5P90005C address, which is 1101000, followed by

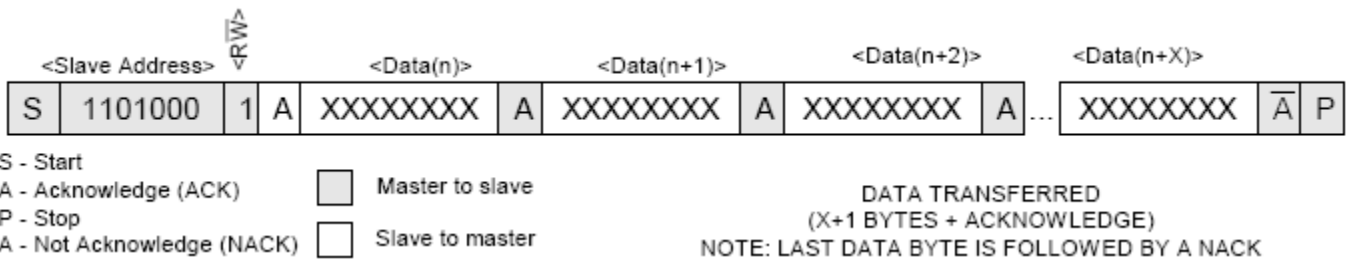
the direction bit ( $R/\bar{W}$ ), which is 0 for a write. After receiving and decoding the slave address byte the slave outputs an acknowledge on the SDA line. After the IDT5P90005C acknowledges the slave address + write bit, the master transmits a register address to the IDT5P90005C. This sets the register pointer on the IDT5P90005C, with the IDT5P90005C acknowledging the transfer. The master may then transmit zero or more bytes of data, with the IDT5P90005C acknowledging each byte received. The address pointer increments after each data byte is transferred. The master generates a STOP condition to terminate the data write.

2) **Slave Transmitter Mode (Read Mode):** The first byte is received and handled as in the slave receiver mode. However, in this mode, the direction bit indicates that the transfer direction is reversed. Serial data is transmitted on SDA by the IDT5P90005C while the serial clock is input on SCL. START and STOP conditions are recognized as the beginning and end of a serial transfer (see the “Data Read–Slave Transmitter Mode” figure). The slave address byte is the first byte received after the START condition is generated by the master. The slave address byte contains the 7-bit IDT5P90005C address, which is 1101000, followed by the direction bit ( $R/\bar{W}$ ), which is 1 for a read. After receiving and decoding the slave address byte the slave outputs an acknowledge on the SDA line. The IDT5P90005C then begins to transmit data starting with the register address pointed to by the register pointer. If the register pointer is not written to before the initiation of a read mode the first address that is read is the last one stored in the register pointer. The address pointer is incremented after each byte is transferred. The IDT5P90005C must receive a “not acknowledge” to end a read.

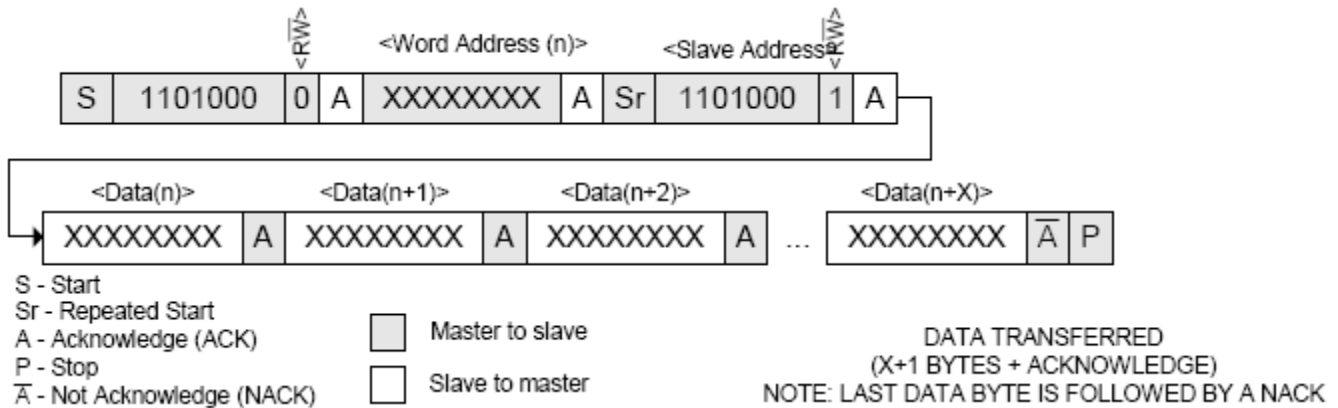
### Data Write – Slave Receiver Mode



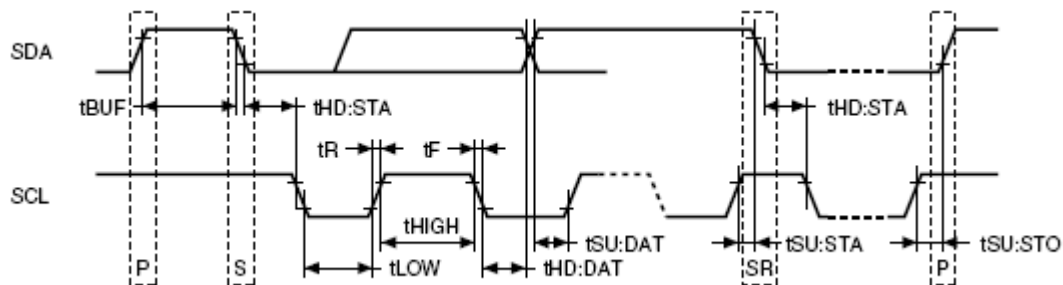
### Data Read (from current Pointer location) – Slave Transmitter Mode



### Data Read (Write Pointer, then Read) – Slave Receive and Transmit



### Bus Timing Requirements Sequence



Note: P=STOP and S=START.

## Absolute Maximum Ratings

Stresses above the ratings listed below can cause permanent damage to the IDT5P90005C. These ratings, which are standard values for IDT commercially rated parts, are stress ratings only. Functional operation of the device at these or any other conditions above those indicated in the operational sections of the specifications is not implied. Exposure to absolute maximum rating conditions for extended periods can affect product reliability. Electrical parameters are guaranteed only over the recommended operating temperature range.

Parameter	Condition	Min.	Typ.	Max.	Units
Supply Voltage, VCC	Referenced to GND	-0.3		7	V
Input or Output Voltages	Referenced to GND	-0.3		7	V
Clock Outputs	Referenced to GND	-0.5		VDD+ 0.5	V
Storage Temperature		-55		125	°C
Soldering Temperature <sup>1</sup>	Max 10 seconds			260	°C
Output Current				20	mA
Ambient Operating Temperature (extended commercial range)		0		+85	°C
Power Dissipation				0.25	W

**Note 1:** Re flow at peak temperature of 260°C (total thermal budget not to exceed 245°C for greater than 30 seconds).

**Caution:** Negative undershoots below -0.3V are not allowed on any pin while in the backup mode.

## DC and AC Parameters

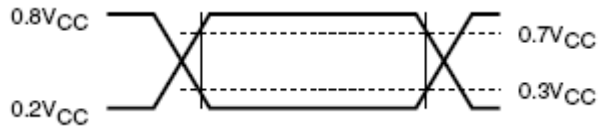
This section summarizes the operating and measurement conditions, as well as the DC and AC characteristics of the device. The parameters in the following DC and AC characteristic tables are derived from tests performed under the measurement conditions listed in the relevant tables. Designers should check that the operating conditions in their projects match the measurement conditions when using the quoted parameters.

### Operating and AC Measurement Conditions<sup>1</sup>

Parameter	Rating
Supply Voltage, VCC	2.0 to 5.5V
Ambient Operating Temperature (extended commercial range)	0 to +85°C
Load Capacitance	100pF
Input Rise and Fall times	≤ 5ns
Input Pulse Voltages	0.2 VCC to 0.8 VCC
Input and Output Timing Reference Voltages	0.3 VCC to 0.7 VCC

**Note 1:** Output Hi-Z is defined as the point where data is no longer driven.

### AC Testing Input/Output Waveform



### Capacitance

Parameter <sup>1,2</sup>	Symbol	Min.	Typ.	Max.	Units
Input Capacitance	$C_{IN}$			7	pF
Output Capacitance (SDA, FT/OUT)	$C_{OUT}$ <sup>3</sup>			10	pF
Low-pass Filter Input Time Constant (SDA and SCL)	$t_{LP}$	250		1000	ns

**Note 1:** Effective capacitance measured with power supply at 3.3V; sampled only, not 100% tested.

**Note 2:** At 25°C,  $f = 1$  MHz.

**Note 3:** Output deselected.



## DC Characteristics

Parameter	Symbol	Conditions <sup>1</sup>	Min.	Typ.	Max.	Units
Input Leakage Current	$I_{LI}$	0V = VIN = VCC			±1	μA
Output Leakage Current	$I_{LO}$	0V = VOUT = VCC			±1	μA
Supply Current	$I_{CC1}$	Switch Frequency = 100 kHz			300	μA
RTC Supply Current (standby)	$I_{CC2}$	SCL, SDA = VCC - 0.3			70	μA
Input Low Voltage	$V_{IL}$		-0.3		0.3VCC	V
Input High Voltage	$V_{IH}$		0.7VCC		VCC+0.5	V
Output Low Voltage	$V_{OL}$	$I_{OL} = 3.0$ mA			0.4	V
Output Low Voltage (open drain)		FT/OUT			5.5	V
Battery Supply Voltage	$V_{BAT}$		2.5		3.5	V
Battery Supply Current	$I_{BAT}$	TA = 25°C, VCC = 0V Oscillator ON, $V_{BAT} = 3V$		0.8	1	μA

**Note 1:** Valid for ambient operating temperature: TA = 0 to +85°C; VCC = 2.0 to 5.5V (except where noted).

## Crystal Electrical Characteristics

Parameter <sup>1</sup>	Symbol	Min.	Typ.	Max.	Units
Resonant Frequency	$f_0$		32.768		kHz
Series Resistance	$R_S$			60	KΩ
Load Capacitance	$C_L$		12.5		pF

**Note 1:** Load capacitors are integrated within the IDT5P90005C. Circuit board layout considerations for the 32.768kHz crystal of minimum trace lengths and isolation from RF generating signals should be taken into account.

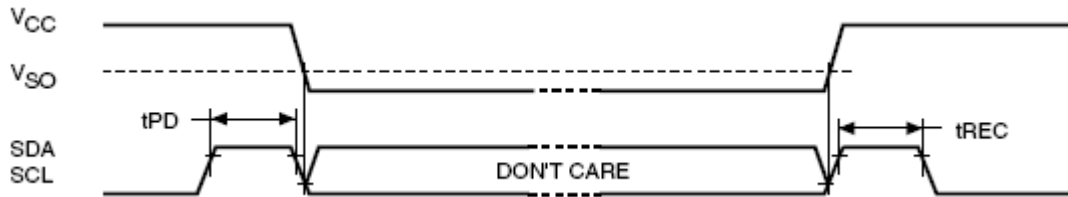
## AC Electrical Characteristics

Unless stated otherwise,  $V_{CC} = 2.0$  to  $5.5V$ , Ambient Temperature  $0$  to  $+85^{\circ}C$  (extended commercial range)

Parameter	Symbol	STANDARD MODE		FAST MODE		Units
		Min.	Max.	Min.	Max.	
SCL Clock Frequency	$f_{SCL}$		100		400	kHz
Clock Low Period	$t_{LOW}$	4.7		1.3		$\mu s$
Clock High Period	$t_{HIGH}$	4.0		0.6		$\mu s$
SDA and SCL Rise time	$t_R$		1		0.3	$\mu s$
SDA and SCL Fall Time	$t_F$		300		300	ns
START Condition Hold Time (after this period the first clock pulse is generated)	$t_{HD:STA}$	4				$\mu s$
START Condition Setup Time (only relevant for a repeated start condition)	$t_{SU:STA}$	4.7		0.6		$\mu s$
Data Hold Time	$t_{HD:DAT}^1$	0		1.3		ns
Data Setup Time	$t_{SU:DAT}$	250		100		ns
STOP Condition Setup Time	$t_{SU:STO}$	4.0		0.6		$\mu s$
Time the bus must be free before a new transmission can start	$t_{BUF}$	4.7		1.3		$\mu s$

**Note 1:** Transmitter must internally provide a hold time to bridge the undefined region (300 ns max) of the falling edge of SCL.

### Power Down/Up Mode AC Waveforms



### RTC Power Down/Up AC Characteristics

Parameter <sup>1,2</sup>	Symbol	Min.	Typ.	Max.	Units
SCL and SDA at VIH before Power Down	$t_{PD}$	0			ns
SCL and SDA at VIH after Power Up	$t_{rec}$	10		2000	$\mu s$

**Note 1:** Valid for ambient operating temperature:  $T_A = 0$  to  $+85^{\circ}C$ ;  $V_{CC} = 2.0$  to  $5.5V$  (except where noted).

**Note 2:**  $V_{CC}$  fall time should not exceed  $5$  mV/ $\mu s$ .

### RTC Power Down/Up Trip Points DC Characteristics

Parameter <sup>1,2</sup>	Symbol	Min.	Typ.	Max <sup>3</sup>	Units
Backup Switchover Voltage	$V_{SO}^3$	$V_{BAT}-0.90$	$V_{BAT}-0.50$	$V_{BAT}-0.30$	V

**Note 1:** Valid for ambient operating temperature:  $T_A = 0$  to  $+85^{\circ}C$ ;  $V_{CC} = 2.0$  to  $5.5V$  (except where noted).

**Note 2:** All voltages referenced to  $V_{SS}$ .

**Note 3:** Switchover and deselect point.

## Clock Operation

The eight byte clock register (see “Register Map” table) is used to both set the clock and to read the date and time from the clock, in a binary coded decimal format. Seconds, minutes, and hours are contained within the first three registers. Bits D6 and D7 of clock register 2 (century/hours register) contain the century enable bit (CEB) and the century bit (CB). Setting CEB to a '1' will cause CB to toggle, either from '0' to '1' or from '1' to '0' at the turn of the century (depending upon its initial state). If CEB is set to a '0', CB will not toggle. Bits D0 through D2 of register 3 contain the day (day of week). Registers 4, 5 and 6 contain the date (day of month), month and years. The final register is the control register (this is described in the clock calibration section). Bit D7 of register 0 contains the STOP bit (ST). Setting this bit to a '1' will cause the oscillator to stop. If the device is expected to spend a significant amount of time on the shelf, the oscillator may be stopped to reduce current drain. When reset to a '0' the oscillator restarts within one second.

When reading or writing the time and date registers, secondary(user) buffers are used to prevent error when the internal registers update. When reading the time and date registers, the user buffers are synchronized to the internal registers on any start or stop, and when the address pointer rolls over to zero. The countdown chain is reset whenever the seconds register is written. Write transfers occurs on the acknowledge pulse from the device. To avoid rollover issues, once the countdown chain is reset, the remaining time and date registers must be written within one second. If enabled, the 1Hz square-wave output transitions high 500ms after the seconds data transfer, provided the oscillator is already running.

**Note:** In order to guarantee oscillator start-up after the initial power-up, set the ST bit to a '1,' then reset this bit to a '0.' This sequence enables a “kick start” circuit which aids the oscillator start-up during worst case conditions of voltage and temperature.

## Register Map<sup>1</sup>

Address	Data								Function/Range BCD Format		
	D7	D6	D5	D4	D3	D2	D1	D0			
0	ST	10 seconds			Seconds				Seconds	00 - 59	
1	R	10 minutes			Minutes				Minutes	00 - 59	
2	CEB <sup>2</sup>	CB	10 hours			Hours				Century/Hours	0-1/00-23
3	R	R	R	R	R	Day			Day	01 - 07	
4	R	R	10 date		Date				Date	01 - 31	
5	R	R	R	10 M	Month				Month/Century	01 - 12	
6	10 years				Years				Year	00 - 99	
7	OUT	FT	R	R	R	R	R	R	Control		

### Note 1. Keys:

FT = frequency test bit

ST = stop bit

OUT = output level

CEB = century enable bit

CB = century bit

R = Reserved BIT (keep same as default value)

**Note 2.** When CEB is set to '1', CB will toggle from '0' to '1' or from '1' to '0' at the turn of the century (dependent upon the initial value set). When CEB is set to '0', CB will not toggle.

## Output Driver Pin

When the FT bit is not set, the FT/OUT pin becomes an output driver that reflects the contents of D7 of the control register. In other words, when D6 of address 7 is a zero and D7 of address 7 is a zero and then the FT/OUT pin will be driven low.

**Note:** The FT/OUT pin is open drain which requires an external pull-up resistor.

FT	OUT	FT/OUT
0	0	0
0	1	1
1	x	512Hz

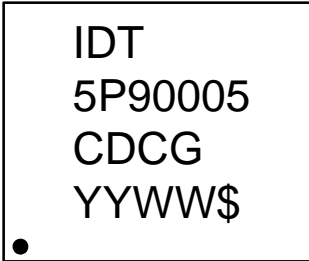
## Initial Power-on Defaults

Upon initial application of power to the device, the FT bit will be set to a '0' and the OUT bit will be set to a '1'. All other register bits will initially power on in a random state.

## Thermal Characteristics

Parameter	Symbol	Conditions	Min.	Typ.	Max.	Units
Thermal Resistance Junction to Ambient	$\theta_{JA}$	Still air		150		$^{\circ}\text{C/W}$
	$\theta_{JA}$	1 m/s air flow		140		$^{\circ}\text{C/W}$
	$\theta_{JA}$	3 m/s air flow		120		$^{\circ}\text{C/W}$
Thermal Resistance Junction to Case	$\theta_{JC}$			40		$^{\circ}\text{C/W}$

## Marking Diagram

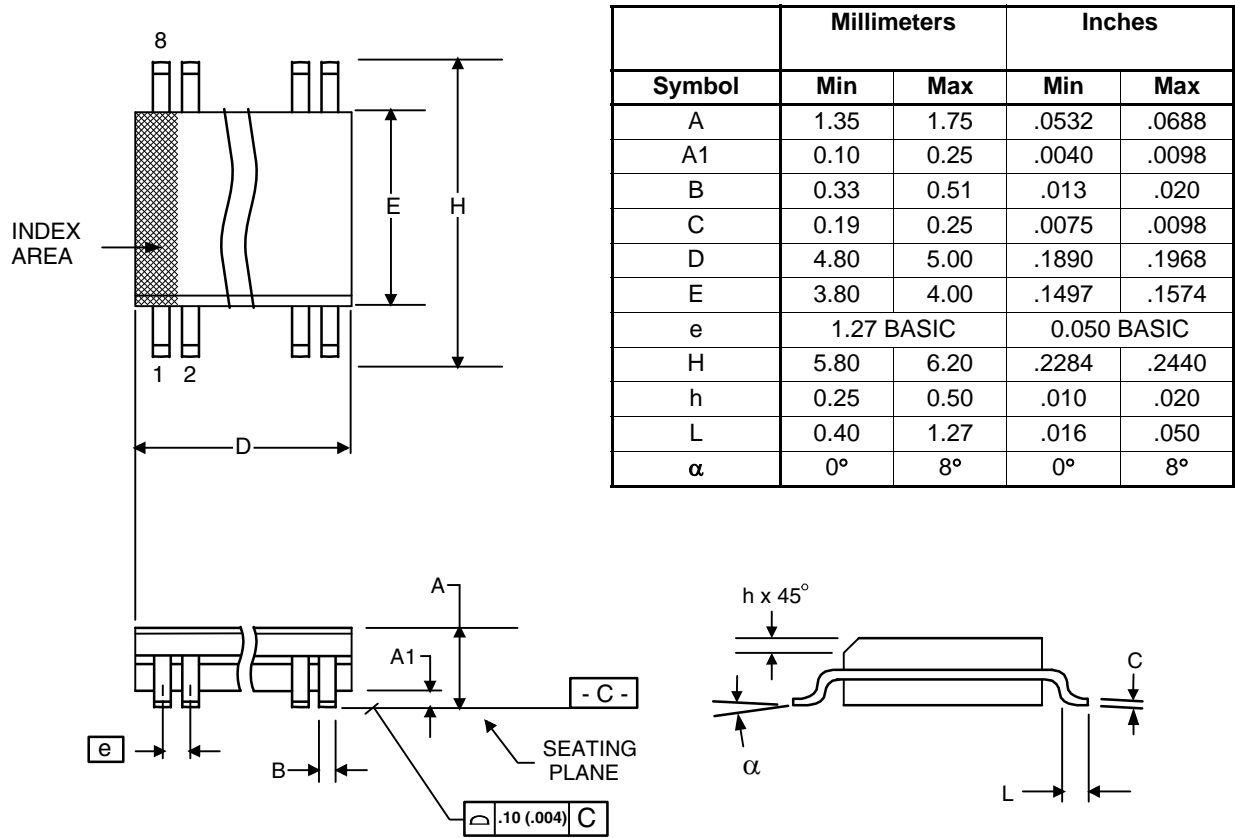


Notes:

1. "\$" is the assembly mark code.
2. "YYWW" is the last two digits of the year and week that the part was assembled.
3. Bottom marking: country of origin if not USA.

## Package Outline and Package Dimensions (8-pin SOIC, 150 Mil. Body)

Package dimensions are kept current with JEDEC Publication No. 95



## Ordering Information

Part / Order Number	Marking	Shipping Packaging	Package	Temperature
5P90005CDCGH	see page 12	Tubes	8-pin SOIC	0 to +85° C
5P90005CDCGH8		Tape and Reel	8-pin SOIC	0 to +85° C

“G” after the two-letter package code denotes Pb-Free configuration, RoHS compliant.

## Revision History

Rev.	Date	Originator	Description of Change
B	12/16/13	S. Lou	1. Added top-side device marking. 2. Moved from Prelim to Final.
C	05/27/14	J. Chen	1. Changed ambient operating temperature from -40 to +85°C, to extended commercial range; 0 to +85°C. 2. Updated ordering information to reflect extended commercial range (removed "I").
C	07/03/14	S. Lou	Added "H" to orderable part number to reflect extended commercial range.



## IMPORTANT NOTICE AND DISCLAIMER

RENESAS ELECTRONICS CORPORATION AND ITS SUBSIDIARIES (“RENESAS”) PROVIDES TECHNICAL SPECIFICATIONS AND RELIABILITY DATA (INCLUDING DATASHEETS), DESIGN RESOURCES (INCLUDING REFERENCE DESIGNS), APPLICATION OR OTHER DESIGN ADVICE, WEB TOOLS, SAFETY INFORMATION, AND OTHER RESOURCES “AS IS” AND WITH ALL FAULTS, AND DISCLAIMS ALL WARRANTIES, EXPRESS OR IMPLIED, INCLUDING, WITHOUT LIMITATION, ANY IMPLIED WARRANTIES OF MERCHANTABILITY, FITNESS FOR A PARTICULAR PURPOSE, OR NON-INFRINGEMENT OF THIRD-PARTY INTELLECTUAL PROPERTY RIGHTS.

These resources are intended for developers who are designing with Renesas products. You are solely responsible for (1) selecting the appropriate products for your application, (2) designing, validating, and testing your application, and (3) ensuring your application meets applicable standards, and any other safety, security, or other requirements. These resources are subject to change without notice. Renesas grants you permission to use these resources only to develop an application that uses Renesas products. Other reproduction or use of these resources is strictly prohibited. No license is granted to any other Renesas intellectual property or to any third-party intellectual property. Renesas disclaims responsibility for, and you will fully indemnify Renesas and its representatives against, any claims, damages, costs, losses, or liabilities arising from your use of these resources. Renesas' products are provided only subject to Renesas' Terms and Conditions of Sale or other applicable terms agreed to in writing. No use of any Renesas resources expands or otherwise alters any applicable warranties or warranty disclaimers for these products.

(Disclaimer Rev.1.01)

### Corporate Headquarters

TOYOSU FORESIA, 3-2-24 Toyosu,  
Koto-ku, Tokyo 135-0061, Japan  
[www.renesas.com](http://www.renesas.com)

### Trademarks

Renesas and the Renesas logo are trademarks of Renesas Electronics Corporation. All trademarks and registered trademarks are the property of their respective owners.

### Contact Information

For further information on a product, technology, the most up-to-date version of a document, or your nearest sales office, please visit [www.renesas.com/contact-us/](http://www.renesas.com/contact-us/).