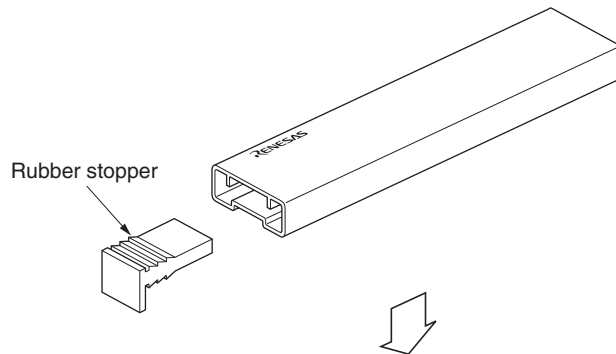
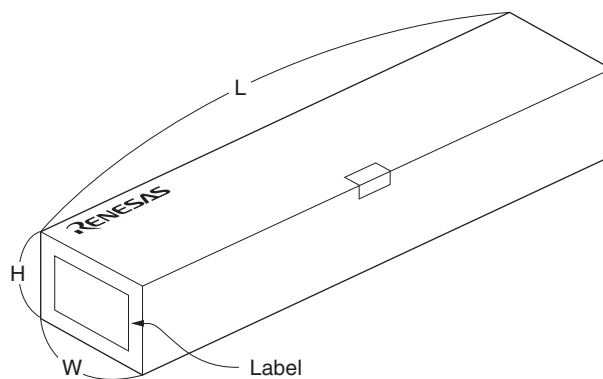


TUBE PACKING

1. CONTAINER



2. INNER BOX



LABEL POSITION	TOP OR SIDE OF BOX
LABEL	PRODUCT NAME, QUANTITY, LOT NUMBER, CLASS

CONTAINER			INNER BOX		
Applied Package	Tube	Quantity (pcs) / Tube	Dimension (mm) (W x H x L)	Quantity (pcs) / Box	Note
24-pin • Plastic SOP (2.0 mm thick)	MM450-03A	MAX. 30	130 x 150 x 510	MAX. 2400	Al-Laminated dry pack
			125 x 85 x 515	MAX. 1200	
			130 x 150 x 510	MAX. 1500	
			125 x 85 x 515	MAX. 900	
28-pin • Plastic SOP (2.0 mm thick)	MM450-03A	MAX. 25	130 x 150 x 510	MAX. 2000	Al-Laminated dry pack
			125 x 85 x 515	MAX. 1000	
			130 x 150 x 510	MAX. 1000	
			125 x 85 x 515	MAX. 500	