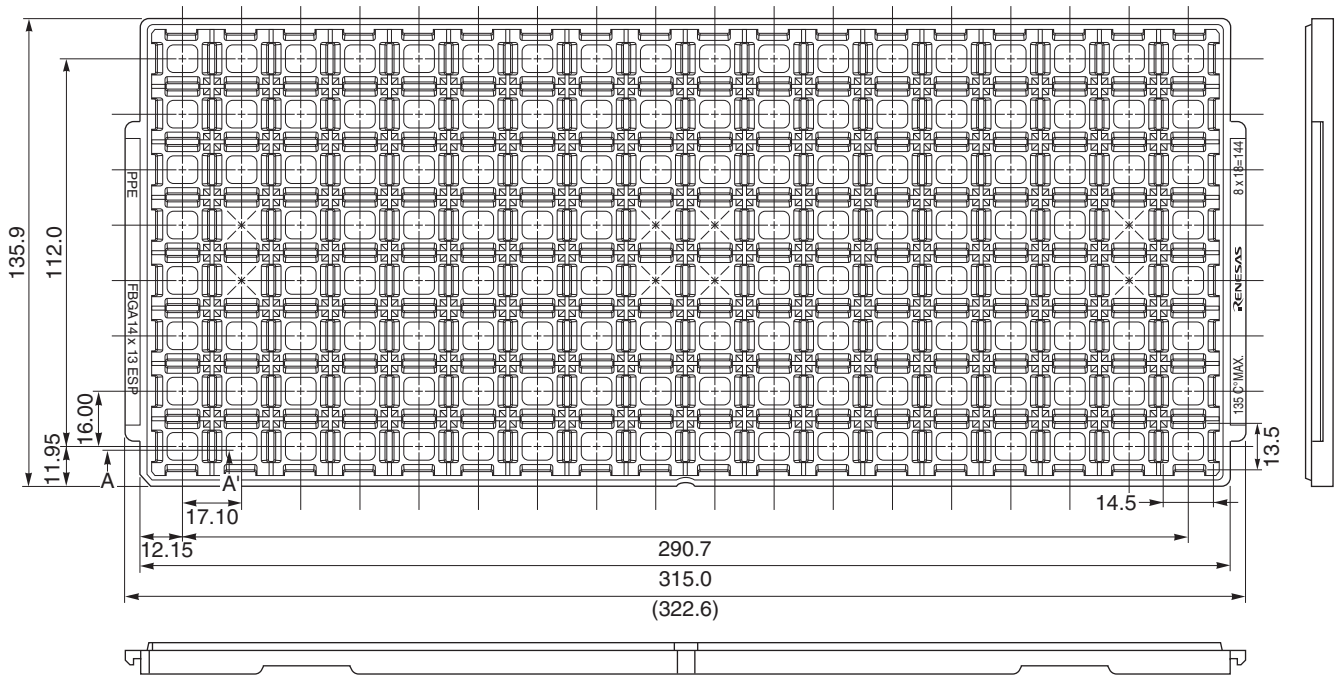
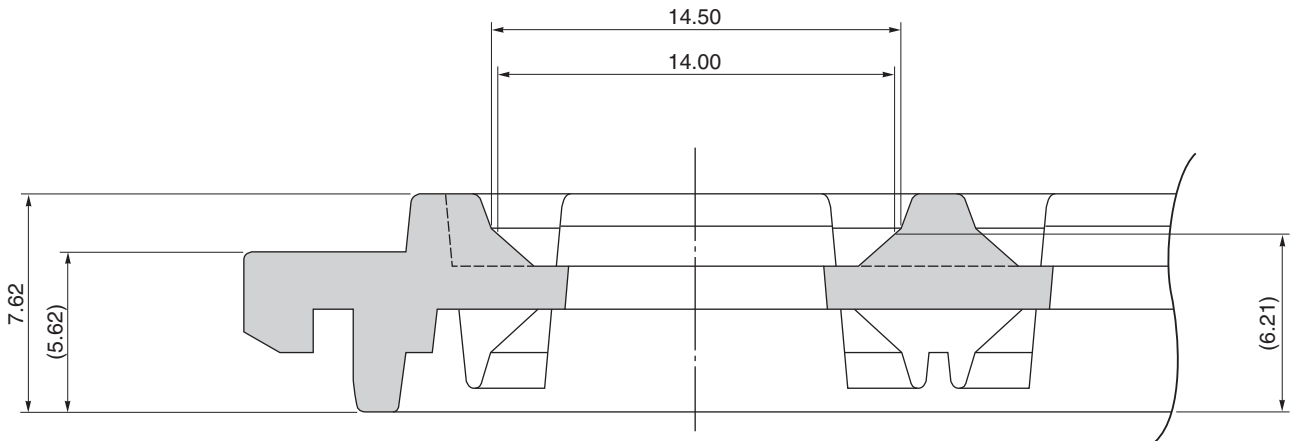


TRAY CONTAINER

UNIT : mm



〈SECTION A-A'〉



Applied Package	Quantity (pcs)
401-pin Plastic FBGA (14x13)	144 MAX.

Tray	FBGA14x13 ESP
Material	Carbon PPE
Heat Proof Temp.	135°C MAX.
Surface resistance	less than $1 \times 10^{12} \Omega / \square$

The tolerance of tray's dimensions are based on JEDEC STANDARD.