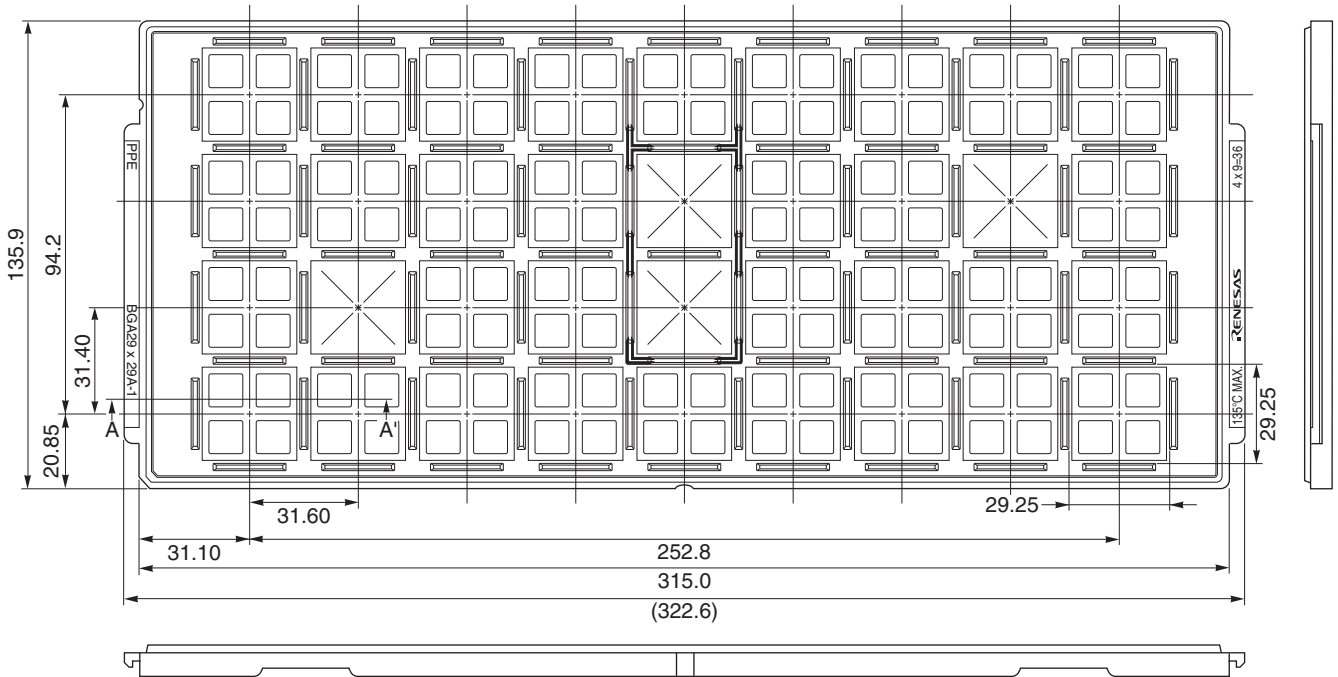
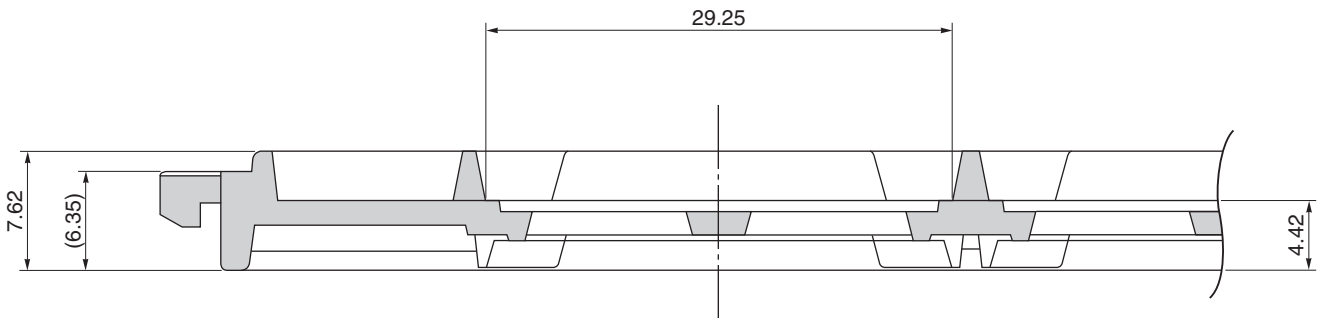


TRAY CONTAINER

UNIT : mm



〈SECTION A-A'〉



Applied Package	Quantity (pcs)
729-pin Plastic BGA (29x29) (FLIP CHIP TYPE)	36 MAX.

Tray	BGA29x29A-1
Material	Carbon PPE
Heat Proof Temp.	135°C MAX.
Surface resistance	less than $1 \times 10^{12} \Omega / \square$

The tolerance of tray's dimensions are based on JEDEC STANDARD.