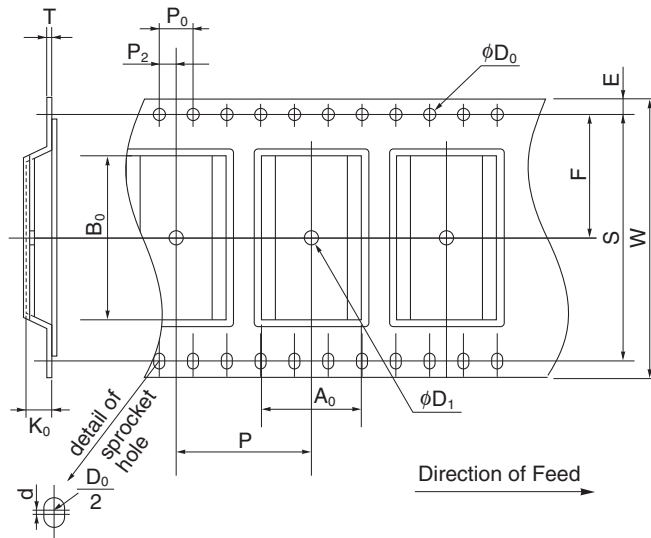


# EMBOSS TAPE CONTAINER

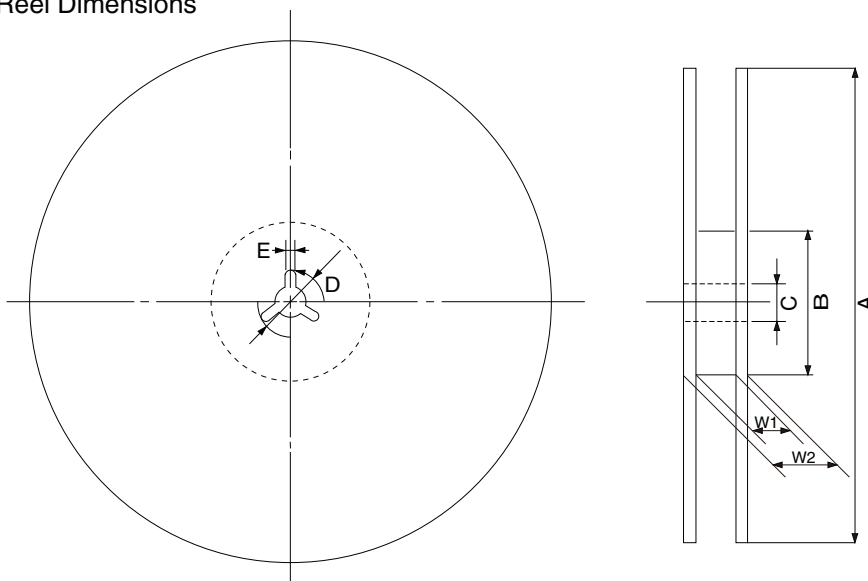
## Tape Dimensions



(Unit :mm)

Symbol	Specification
$A_0$	12.2
$B_0$	19.1
$K_0$	1.65
$W$	$32.0 \pm 0.3$
$F$	$14.2 \pm 0.1$
$E$	$1.75 \pm 0.1$
$P$	$16.0 \pm 0.1$
$P_2$	$2.0 \pm 0.1$
$P_0$	$4.0 \pm 0.1$
$D_0$	$1.5_{-0}^{+0.1}$
$T$	0.3
$D_1$	2.0 MIN.
$S$	$28.4 \pm 0.1$
$d$	$0.2 \pm 0.05$

## Reel Dimensions



(Unit: mm)

Symbol	Specification
$A$	$\phi 330 \pm 2.0$
$B$	$\phi 100$
$C$	$\phi 13.0 \pm 0.2$
$D$	$\phi 21.0 \pm 0.8$
$E$	$2.0 \pm 0.5$
$W_1$	33.5
$W_2$	37.5

Applied Package	Quantity (pcs)
44-pin Plastic TSOP (II) (10.16mm (400))	MAX. 500 · 1,000