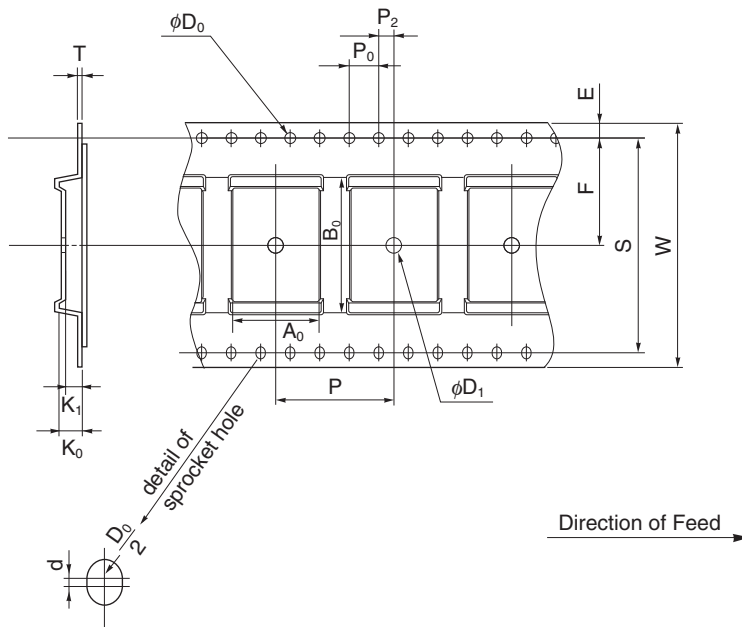


# EMBOSS TAPE CONTAINER

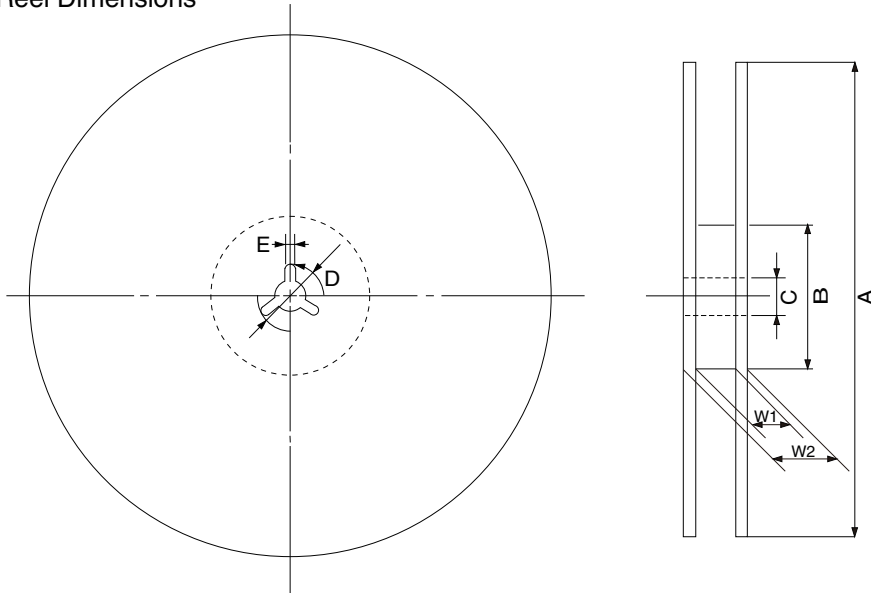
## Tape Dimensions



(Unit :mm)

| Symbol | Specification   |
|--------|-----------------|
| $A_0$  | 12.45           |
| $B_0$  | 20.35           |
| $K_0$  | 1.7             |
| $K_1$  | 1.2             |
| $W$    | $32.0 \pm 0.3$  |
| $F$    | $14.2 \pm 0.1$  |
| $E$    | $1.75 \pm 0.1$  |
| $P$    | $16.0 \pm 0.1$  |
| $P_2$  | $2.0 \pm 0.1$   |
| $P_0$  | $4.00.1$        |
| $D_0$  | $1.5^{+0.1}_0$  |
| $T$    | 0.3             |
| $D_1$  | 2.0 MIN.        |
| $S$    | $28.4 \pm 0.1$  |
| $d$    | $0.20 \pm 0.05$ |

## Reel Dimensions



(Unit: mm)

| Symbol | Specification       |
|--------|---------------------|
| $A$    | $\phi 254 \pm 2.0$  |
| $B$    | $\phi 100$          |
| $C$    | $\phi 13.0 \pm 0.2$ |
| $D$    | $\phi 21.0 \pm 0.8$ |
| $E$    | $2.0 \pm 0.5$       |
| $W_1$  | 33.5                |
| $W_2$  | 37.5                |

| Applied Package               | Quantity (pcs) |
|-------------------------------|----------------|
| 48-pin Plastic TSOP(I)(12x20) | 1000 MAX.      |