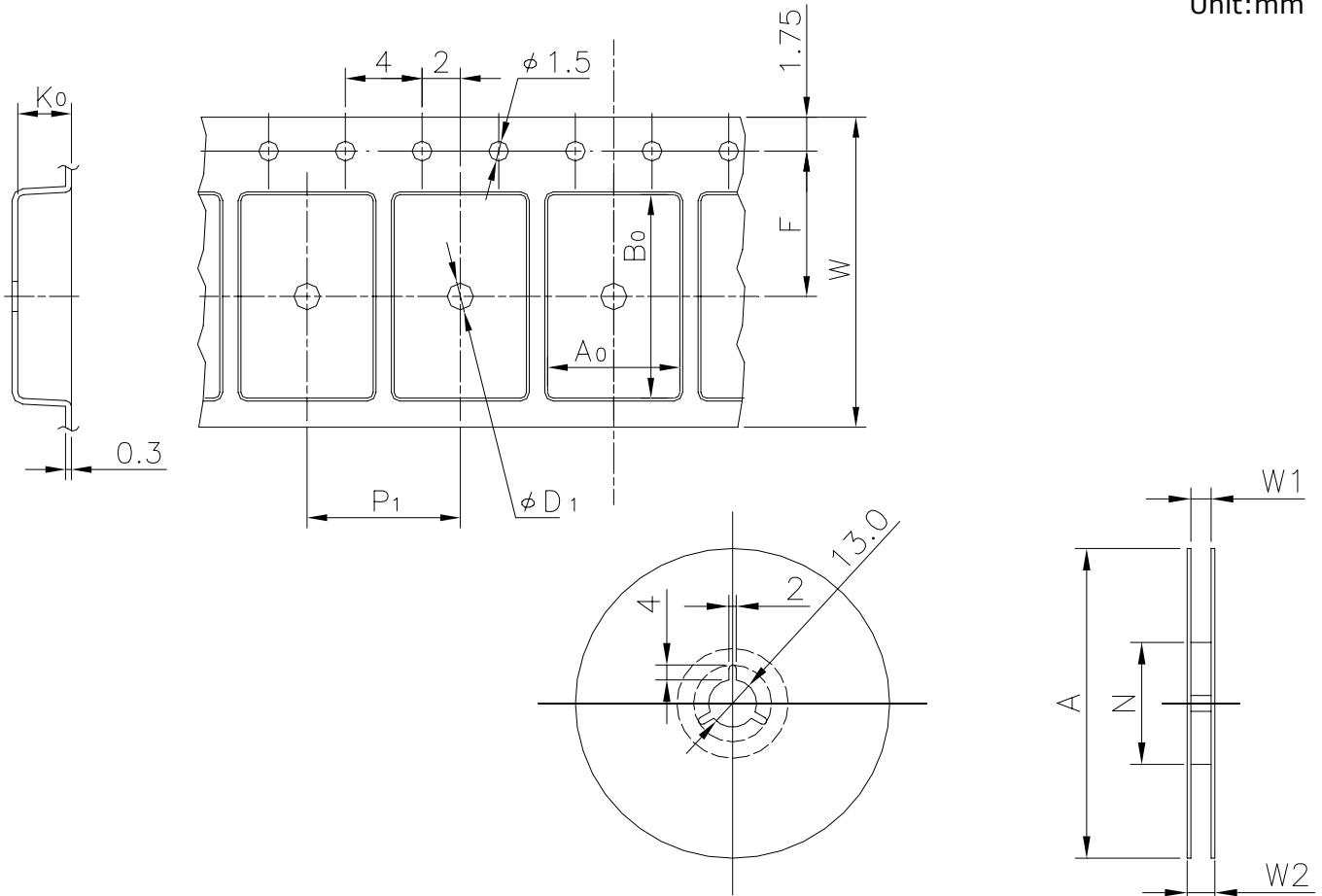


EMBOSSED TAPE

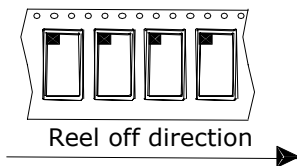
Taping Code	RENESAS Code	Previous Code
MTE1612H-100F0M	PLBG0100KA-A	100FHG
	PVVG0100KA-A	100FHN-A
	PVVG0144LA-A	144FHN-A
	PVVG0144LA-B	144FHN-B
	PTLG0100KA-A	100F0M

Unit:mm

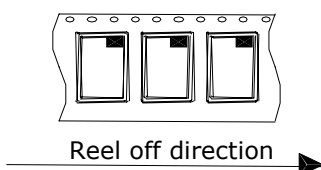


Standard Orientation of Package

The pin 1 is located in the hatching portion.



The pin 1 may also be located in the following portion for reverse bent packages and some QFPs.



Tape Dimensions (mm)	W	16
	P ₁	12
	A ₀	5.8
	B ₀	5.8
	K ₀	1.8
	F	7.5
	D ₁	1.5
Reel Dimensions (mm)	A	330
	N	100
	W1	17.4
	W2	21.4
Maximum storage No. IC/Reel		2500
Material		Carbon PS
Surface resistance		Less than 1x10 ¹¹ Ω/□
Packing form		Dry pack